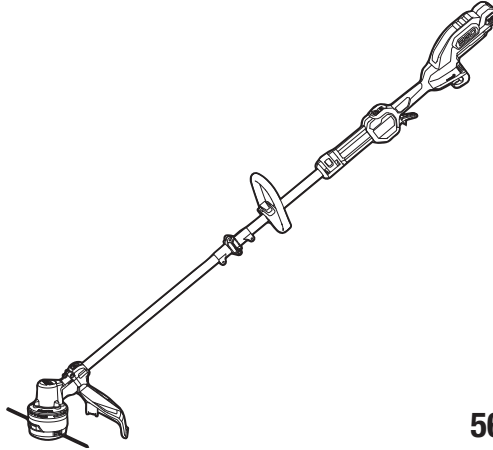


EGO™

POWER⁺ LINE TRIMMER

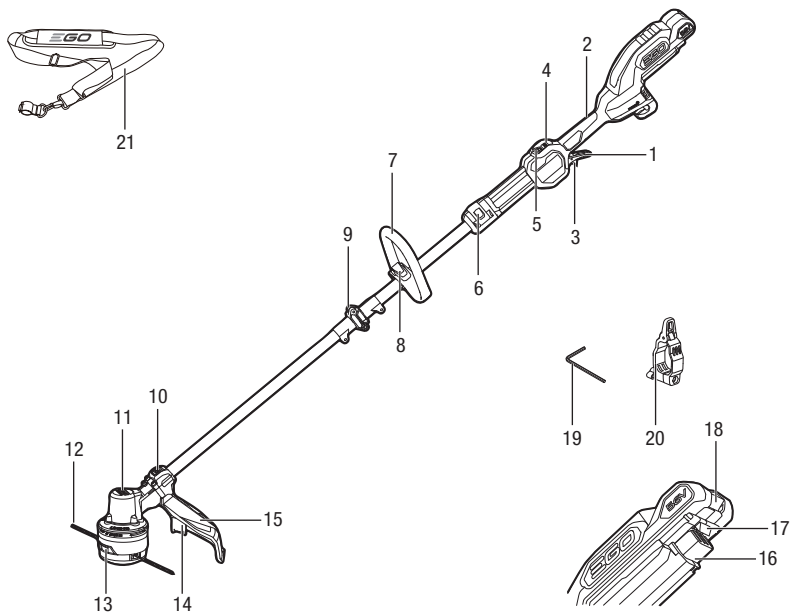


ST1610E-T

56 VOLT LITHIUM-ION CORDLESS LINE TRIMMER

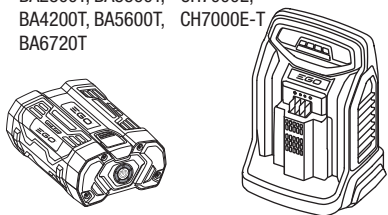
EN	56 Volt lithium-ion cordless line trimmer	7	HU	56 Voltos lítium-ion vezetékek nélküli fűkasza	140
DE	56 Volt lithium-ionen akku-rasentrimmer	15	RO	Cositoare cu fir și cu acumulator litiu-ion de 56 volți	148
FR	Taille-bordure sans fil lithium-ion 56 v	25	SL	56-Voltna litij-ionska brezžična kosilnica z nitko	157
ES	Cortabordes inalámbrico con cabezal de hilo y acumulador de ion de litio de 56 voltios	35	LT	Akumuliatorinė žoliapjovė su 56 voltų litio jonų akumuliatoriumi	165
PT	Roçadora de fio sem fios de ião de lítio de 56 volts	45	LV	56 Voltu litija jonu akumulatora bezvadu auklas trimmeris	173
IT	Decespugliatore a filo cordless li-ion 56 volt	54	GR	Ασπυρο γλοκοπτικό ιοντων λιθιου 56 volt με μεσηνεζα	181
NL	56 Volt lithium-ion accu grastrimmer	64	TR	56 Volt lityum-iyon kablosuz misinali çim biçme makinesi	191
DK	Ledningsfri græstrimmer med 56 volts lithium-ion-batteri	73	ET	56-Voldise liitiumioonakuga juhtmata jõhvtrimmer	199
SE	56 volts litium-jon sladdlös trådtrimmer	81	UK	Лісовий тример із живленням від 56-вольтового літій-іонного акумулятора	207
FI	Akkukäyttöinen 56 voltin litium-ionisiimaleikkuri	89	BG	56 Волта литиево-ионен безкабелен кордов тример	216
NO	56 Volts lithium-ion ledningsfri kantklipper	97	HR	56-Voltni litij-ionski baterijski šišač s reznom nit	226
RU	Беспроводной триммер с леской и литий-ионным аккумулятором 56 в	105	KA	56 ვოლტანი ლითიუმ-იონის აკუმულატორიანი უსადენო ელექტრო სათიბი	234
PL	Podkaszarka bezprzewodowa z akumulatorem litowo-jonowym 56 woltów	114	SR	Akumulatorski trimer sa strunom i litijum-jonskom baterijom od 56 v	246
CZ	56 Voltová lithium-iontová akumulátorová strunová sekačka	124	BS	Akumulatorski trimer s reznom nit i litij-ionskom baterijom od 56 v	254
SK	56-Voltová lítiovo-iónová bezdrôtová strunová kosačka	132	HE	גוזם חוט אלחוטי עם סוללת ליתיום-יון 56 וולט	279
			AR	جزازة عاملة بالخيط لاسلكية ببطارية ليثيوم-أيون 56 فولت	270

A1

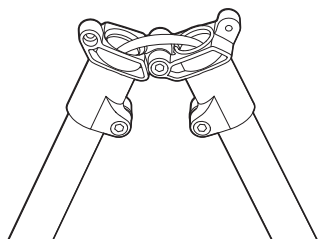


A2

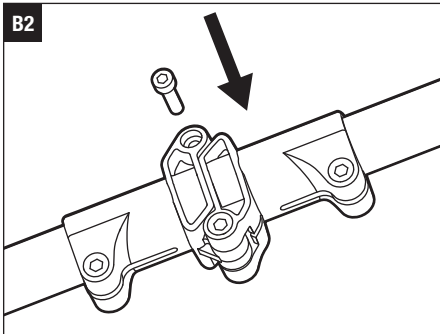
BA1400, BA2800, CH2100E,
BA4200, BA1400T, CH3200E,
BA2240T, BA2242T, CH5500E,
BA2800T, BA3360T, CH7000E,
BA4200T, BA5600T, CH7000E-T,
BA6720T



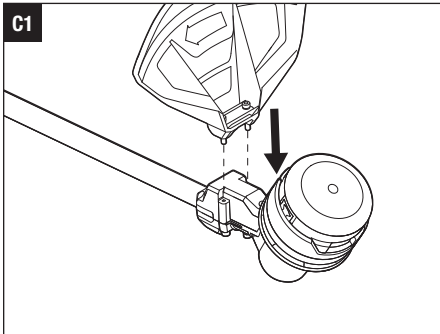
B1

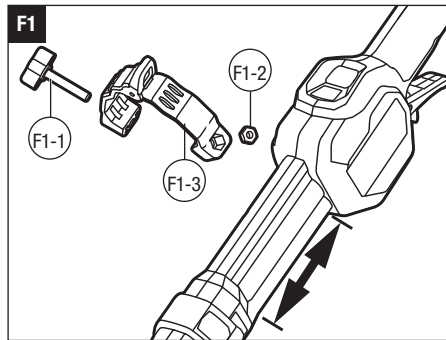
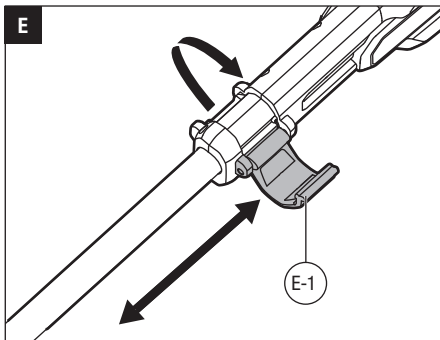
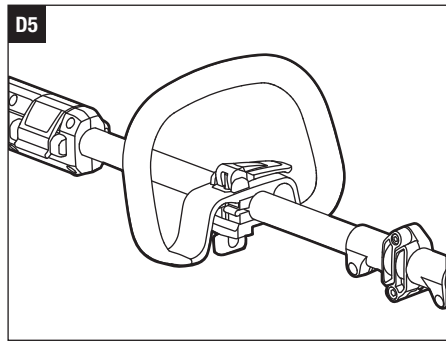
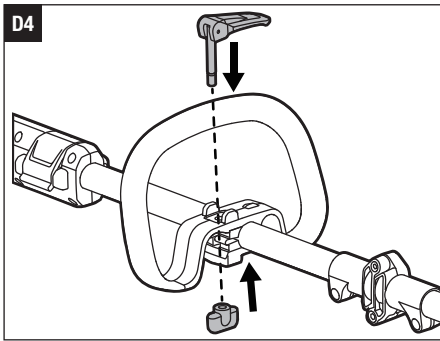
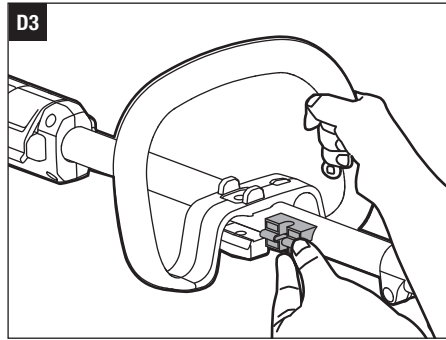
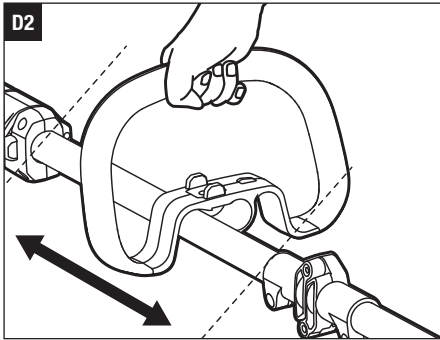
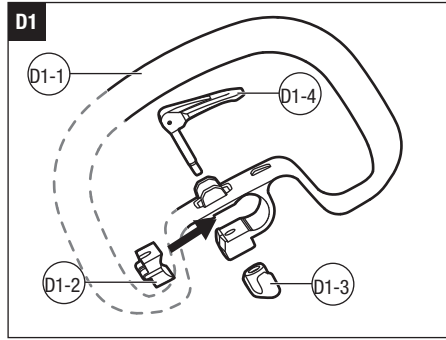
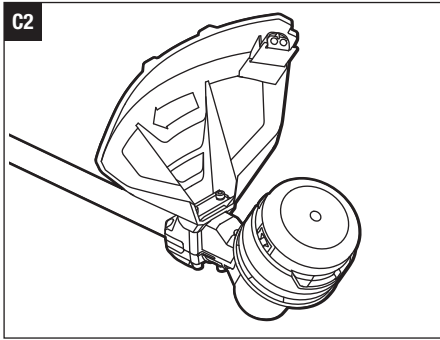


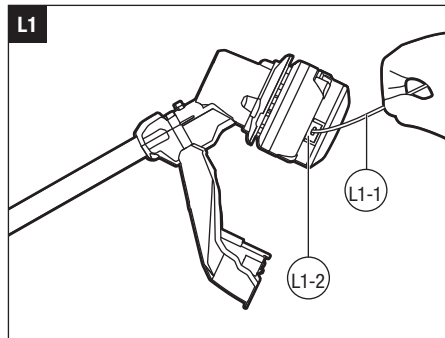
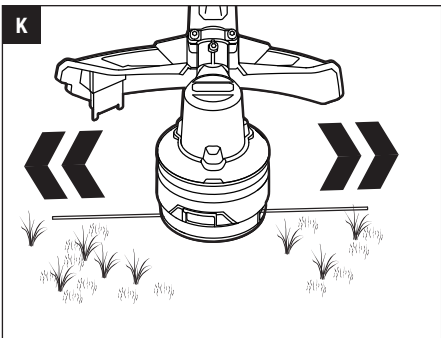
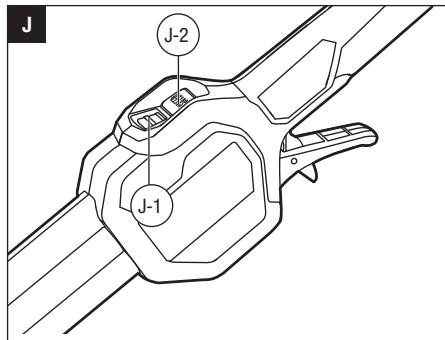
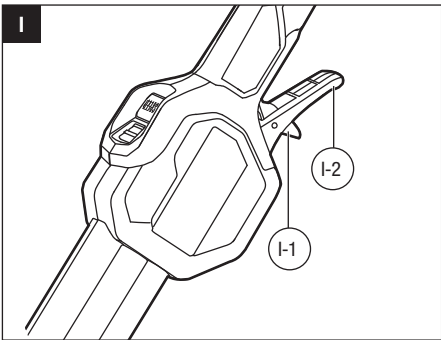
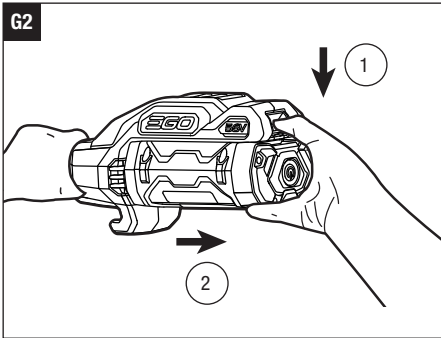
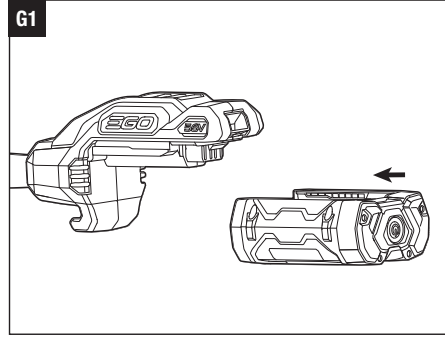
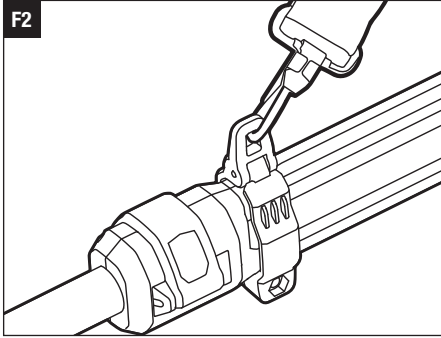
B2

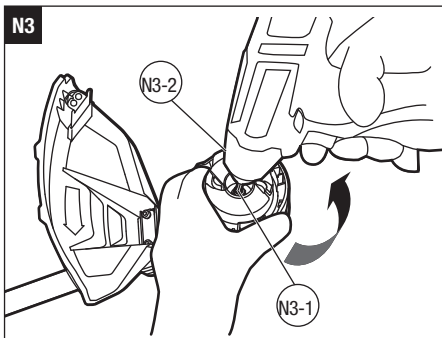
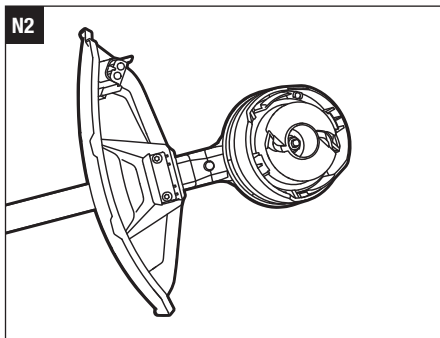
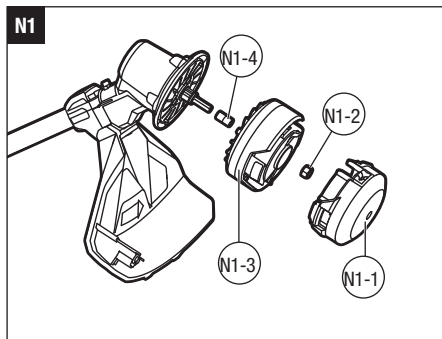
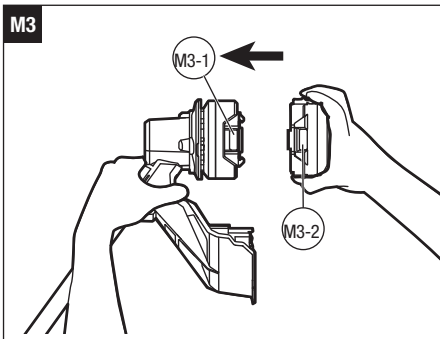
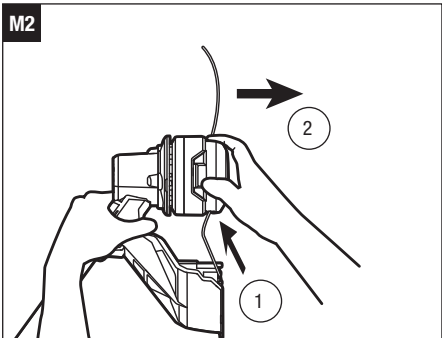
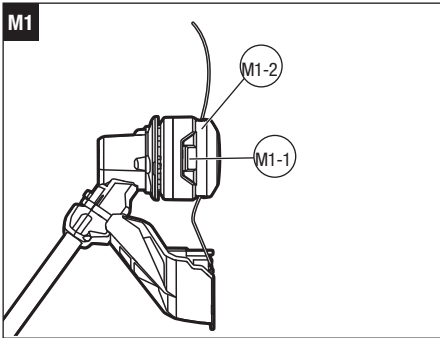
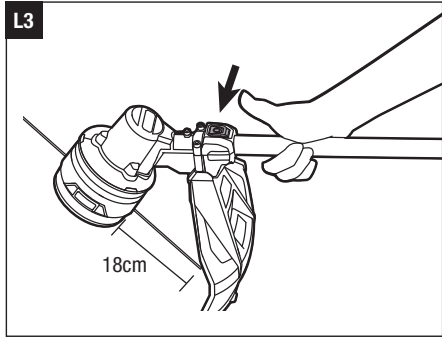
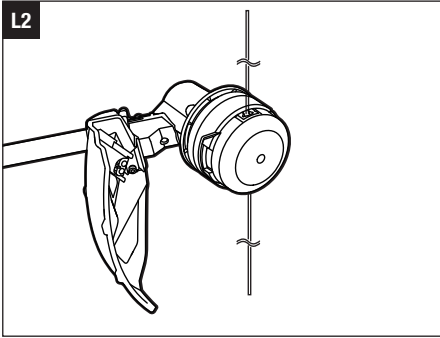


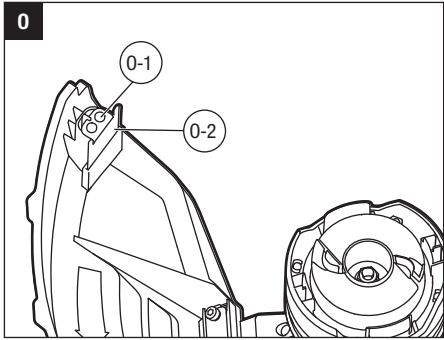
C1











READ ALL INSTRUCTIONS!



READ OPERATOR'S MANUAL



Safety Alert



Wear Eye Protection—Always wear safety goggles or safety glasses with side shields and a full face shield when operating this product.



Wear Ear Protection—Always wear ear protection when operating this product.



Waste electrical products should not be disposed of with household waste. Take to an authorized recycler.



Keep safe distance —The distance between the machine and bystanders shall be at least 15m



Cutting width—The Max. cutting width of line trimmer



Disconnect the battery pack from the line trimmer before carrying out maintenance or cleaning work



This product is in accordance with applicable UK legislation.

A Amperes

cm Centimeter

≡ Direct Current

SAFETY SYMBOL

The operation of any power tools can result in foreign objects being thrown into your eyes, which can result in severe eye damage. Before beginning power tool operation, always wear safety goggles or safety glasses with side shields and a full face shield when needed. We recommend a Wide Vision Safety Mask for use over eyeglasses or standard safety glasses with side shields.



To reduce the risk of injury, user must read the operator's manual.

IPX4

Protection from splashing water



Guaranteed sound power level.



Beware of thrown objects —Thrown objects can ricochet and result in personal injury or property damage. Ensure that other people and pets remain away from the line trimmer when it is in use.



Do not use the metal blades on the line trimmer



Line diameter—The Diameter of the nylon cutting line



This product is in accordance with applicable EC directives.

V Voltage

mm Millimeter

kg Kilogram

.../min Per Minute

EN SPECIFICATIONS

Voltage	56 V $\overline{\text{---}}$	
No-Load Speed	Low speed range: 3500-4800 min ⁻¹	
	High speed range: 4000-5500 min ⁻¹	
Cutting Line Mechanism	LINE-IQ FEEDING	
Cutting Line Type	2.4 mm nylon twist line	
Cutting Width	40 cm	
Recommended Operating Temperature	0°C - 40°C	
Storage Temperature	-20°C - 70°C	
Weight (without battery pack)	3.5 kg	
Measured sound power level L_{WA}	90 dB(A) K=2.5 dB(A)	
Sound pressure level at operator's ear L_{PA}	77 dB(A) K=3 dB(A)	
Guaranteed sound power level L_{WA} (measured according to 2000/14/EC)	92 dB(A)	
Valuation of vibration a_h	Front handle	3.9 m/s ² K=1.5 m/s ²
	Rear handle	2.7 m/s ² K=1.5 m/s ²

- The declared vibration total value has been measured in accordance with a standard test method and may be used for comparing one tool with another;
- The declared vibration total value may also be used in a preliminary assessment of exposure.

NOTICE: The vibration emission during actual use of the power tool can differ from the declared value in which the tool is used; In order to protect the operator, user should wear gloves and ear protectors in the actual conditions of use.

DESCRIPTION

KNOW YOUR LINE TRIMMER (Fig. A1)

1. Variable Speed Trigger
2. Rear Handle
3. Locking Tongue
4. 2-Speed Switch
5. Speed Indicator

6. Height Locking Collar
7. Quick Adjustable Front Handle
8. Quick-release Lever
9. Hinge & Locking Bolt
10. POWERLOAD™ Button
11. Trimmer Head (with LINE-IQ Feeding)
12. Cutting Line
13. Release Tab
14. Line-Cutting Blade
15. Guard
16. Ejection Mechanism
17. Latch
18. Battery Release Button
19. Hex Wrench
20. Shoulder Strap Loop
21. Shoulder Strap

PACKING LIST (FIG. A1)

ASSEMBLY

⚠ WARNING: If any parts are damaged or missing, do not operate this product until the parts are replaced. Use of this product with damaged or missing parts could result in serious personal injury.

⚠ WARNING: Do not attempt to modify this product or create accessories not recommended for use with this line trimmer. Any such alteration or modification is misuse and could result in a hazardous condition leading to possibly serious personal injury.

⚠ WARNING: To prevent accidental starting that could cause serious personal injury, always remove the battery pack from the tool when assembling parts.

UNFOLDING THE SHAFT

⚠ WARNING: In order to avoid pinching your hands or fingers, do not hold the shaft at the joint.

⚠ WARNING: Do not attempt to start the trimmer until the shaft has been locked.

Unfold the shaft gently, ensuring the cable inside the shaft and lock it with the bolt by the supplied wrench (Fig. B1 & B2).

MOUNTING THE GUARD

⚠ WARNING: Always wear gloves when mounting or replacing the guard. Be careful of the blade on the guard and protect your hands from being injured by the blade.

⚠ WARNING: Never operate the tool without the guard firmly in place. The guard must always be on the tool to protect the user! When the guard is fixed, never attempt to remove or adjust the guard, if a replacement is needed, it should be performed by a qualified service technician!

Position your trimmer so that the trimmer head faces up (Fig. C1). Align the guard mounting holes with the assembly holes and then lock the guard on the shaft base with the two screws (Fig. C2).

NOTICE: Make sure the guard is fixed according to Fig. C1 & C2, any reverse fixing will cause great danger!

MOUNTING AND ADJUSTING THE FRONT HANDLE

- Loosen and remove the quick-release lever and wing nut from the front handle (Fig. D1).

D1-1	Front handle	D1-2	Clamping block
D1-3	Wing nut	D1-4	Quick-release lever

- Push the front handle onto the shaft within the mounting zone between the height locking collar and hinge (Fig. D2).
- Insert the clamping block into the handle slot (Fig. D3).
- Mount the quick-release lever and pretighten the wing nut. Make sure that the front handle is positioned upwards and points toward the top of the rear handle (Fig. D4).
- Pull the quick-release lever up to move/rotate the front handle to a comfortable operating position, and then lock the quick-release lever (Fig. D5).

NOTICE: The front handle should be positioned on the shaft only within the mounting zone.

⚠ WARNING: The tool cannot be used without the front handle securely fixed.

ADJUSTING THE TRIMMER HEIGHT

If the length of the shaft is not suitable for operation, you can adjust the length of the shaft through the height locking collar.

- Remove the battery pack from the trimmer.
- To adjust the trimmer height (i.e., shaft length), open

the height locking collar, and then slide the shaft up or down to desired height, securing it in place by depressing the height locking collar (Fig. E).

E-1	Height locking collar
-----	-----------------------

NOTICE: The front handle may need to be repositioned after the trimmer height is changed.

ATTACHING SHOULDER STRAP

For safe and better operation, put the strap over one of your shoulders and across your back.

- Loosen screw knob and hex nut from the shoulder strap loop (Fig. F1).

F1-1	Screw knob	F1-2	Hex nut
F1-3	Should strap loop		

- Place the shoulder strap loop at a comfortable operating position within the installation zone, and then fix it by tightening the screw knob and hex nut.
- Depress the shoulder strap carabineer to open it and attach the shoulder strap to the hole on the strap loop (Fig. F2).
- Adjust the shoulder strap length and placement to a comfortable operating position.

⚠ WARNING: When an emergency occurs, take the shoulder strap off from your shoulder immediately, no matter what way the strap is on.

You should not use the single-shoulder strap and double-shoulder strap simultaneously.

When wearing the strap, make sure there is no other wearable interferes with the release and removal of the strap.

OPERATION

⚠ WARNING: Always wear safety goggles or safety glasses with side shield, along with hearing protection. Failure to do so could result in objects being thrown into your eyes and other possible serious injuries.

Trimming: grass and weeds from around porches, fences, and decks.

Cutting: grass that is difficult to reach using a normal mower.

ATTACHING/DETACHING THE BATTERY PACK

Use only with EGO's battery packs and chargers listed in Fig.A2

Fully charge before first use.

To Attach

Align the battery ribs with the mounting slots and press the battery pack down until you hear a “click” (Fig. G1).

To Detach

Depress the battery-release button and pull the battery pack out (Fig. G2).

HOLDING THE LINE TRIMMER (Fig. H)

For safe and better operation, put on the shoulder strap across the shoulder. Adjust the shoulder strap length and placement to a comfortable operating position – hold the trimmer with both hands: one hand on the rear handle and the other hand on the front handle.

NOTICE: The trimmer head is parallel to the ground at a proper cutting distance without the operator bending over.

⚠ WARNING: When an emergency occurs, take the shoulder strap off from your shoulder immediately, no matter what way the strap is on.

STARTING/STOPPING THE LINE TRIMMER (Fig. I)

To Start

Move the locking tongue forward and then press the variable speed trigger.

The trigger is stepless speed adjusting. The more you pull up the trigger, the higher speed it is.

I-1	Locking tongue	I-2	Variable speed trigger
-----	----------------	-----	------------------------

To Stop

Release the variable speed trigger.

SPEED ADJUSTMENT FUNCTION (Fig. J)

The line trimmer has two speed setting. Press the 2-speed switch to change cutting speed between the low and high.

The speed indicator will display the active speed status: one light for low speed and two lights for high speed. The low speed range provides better control of the trimmer and longer operating time per charge.

J-1	Speed indicator	J-2	2-Speed switch
-----	-----------------	-----	----------------

USING THE LINE TRIMMER

Clear the area to be cut before each use. Remove all objects, such as rocks, broken glass, nails, wire, or lien that can be thrown or become entangled in the cutting

attachment. Clear the area of children, bystanders, and pets. At a minimum, keep all children, bystanders and pets at least 15 m away; there still may be risk to bystanders from thrown objects. Bystanders should be encouraged to wear eye protection. If you are approached, stop the motor and cutting attachment immediately.

Before each use check for damaged/worn parts

Check the trimmer head, guard, shoulder strap, shoulder strap loop, and front handle. Replace any parts that are cracked, warped, bent, or damaged in any way.

The line-cutting blade on the edge of the guard can dull over time. It is recommended that you periodically sharpen it with a file or replace it with a new blade.

⚠ WARNING: Always wear gloves when mounting or replacing the guard or when sharpening or replacing the line-cutting blade. Note the location of the blade on the guard and protect your hands from injury.

Check for blockage of the trimmer head

- To prevent blockage, keep the trimmer head clean. Remove grass clippings, leaves, dirt and any other accumulated debris before and after each use.
- When blockage happens, stop the line trimmer and remove the battery, then remove any grass that may have wrapped itself around the motor shaft or trimmer head.

After each use, clean the trimmer.

ADJUSTING THE CUTTING LINE LENGTH

The Line-IQ feeding trimmer head is equipped with advanced technology.

If either end of the cutting line wears less than 18 cm during trimming, the trimmer head will release cutting line automatically, and the extra part of the cutting line will be cut off by the line-cutting blade (Fig. K).

NOTICE: No need to tap the trimmer head to release the cutting line. If you feel a slight tremor of the trimmer head when trimming the grass, it is the cutting line being automatically released.

⚠ WARNING: Do not remove or alter the line-cutting blade assembly. Excessive line length will cause the motor to overheat and may result in serious personal injury.

LINE REPLACEMENT

NOTICE: Always use the recommended nylon cutting line with a diameter of 2.4 mm.

Using line other than that specified may cause the tool to overheat or become damaged.

⚠ WARNING: Never use metal-reinforced line, wire, or rope, etc. These can break off and become dangerous projectiles.

The line trimmer is equipped with an advanced POWERLOAD™ system. The cutting line can be wound onto the spool simply by pressing a single button. Loading a full spool can usually be completed in 12 seconds. **Avoid repeated operation of the winding system in rapid succession to reduce the possibility of motor damage.**

1. Remove the battery pack.
2. Cut one piece of cutting line 4 m long.
3. Insert the line into the eyelet and push the line until the end of the line comes out of the opposite eyelet (Fig. L1).

L1-1	Cutting line	L1-2	Eyelet
------	--------------	------	--------

NOTICE: It is not necessary to align the eyelets in order to insert the cutting line. If the line cannot be inserted into the eyelet, mount the battery pack onto the trimmer, then press the POWERLOAD button briefly to reset the winding mechanism.

4. Remove the battery pack if it has been mounted onto the trimmer in step 3.
5. Pull the line from the other side until equal lengths of the line appear on both sides of the trimmer head (Fig. L2).
6. Install the battery pack onto the line trimmer.
7. Press and hold the POWERLOAD button to start the line-winding motor. The line will be wound into the trimmer head continuously.
8. Watch the remaining line length carefully. Prepare to release the button as soon as approximately 22 cm of line are left on each side. Briefly press the line loading button to adjust the length until 18 cm of the line is showing on each side (Fig. L3).

NOTICE: In case the line is pulled into the trimmer head by accident, open the head and pull the cutting line out from the spool. Follow the section **“RELOADING THE CUTTING LINE”** in this manual to reload the line.

RELOADING THE CUTTING LINE

NOTICE: When the cutting line gets stuck in the trimmer head, you will need to remove the remaining

cutting line from the trimmer head and follow the steps below to reload the line.

1. Remove the battery pack.
2. Press the release tabs on the trimmer head and remove the lower cover assembly of the trimmer head by pulling it straight out (Fig. M1 & M2).

M1-1	Release tab	M1-2	Lower cover assembly
------	-------------	------	----------------------

3. Remove the cutting line from the trimmer head.
4. With one hand holding the trimmer, use another hand to grasp the lower cover assembly and align the slots in the lower cover assembly with the release tabs. Press the lower cover assembly until it snaps into place, at which time you will hear a distinct click sound (Fig. M3).

M3-1	Release tab	M3-2	Slot
------	-------------	------	------

5. Follow the instructions in the **“LINE REPLACEMENT”** section to reload the cutting line.

TRIMMER HEAD REPLACEMENT

⚠ WARNING: If the head loosens after it is fixed in position, replace it immediately. Never use a trimmer with a loose cutting attachment. Replace a cracked, damaged or worn-out cutting head immediately, even if damage is limited to superficial cracks. Such attachments may shatter at high speed and cause serious injury.

Know the trimmer head (Fig. N1)

N1-1	Lower cover	N1-2	Nut
N1-3	Spool assembly	N1-4	Bushing

To remove the trimmer head

1. Remove the battery pack.
2. Press the release tabs on the trimmer head and remove the lower cover of the trimmer head by pulling it straight out (see Fig. M1 & M2).
3. Remove the cutting line from the trimmer head (Fig. N2).
4. Wear gloves. Use one hand to grasp the spool assembly to stabilize it and use the other hand to hold an impact wrench (not included) to loosen the nut in a counterclockwise direction (Fig. N3).

N3-1	Nut	N3-2	Impact wrench (not included)
------	-----	------	------------------------------

5. Remove the spool assembly and bushing from the motor shaft. Save the bushing for later assembly.
6. Replace with a new trimmer head and mount it in following steps.

To install the new trimmer head

1. Mount the bushing in motor shaft and mount the spool assembly into place. Use an impact wrench to tighten the nut.
2. Mount the lower cover assembly (see Fig. M3).
3. Reload the cutting line.
4. Start the tool to see whether the line trimmer will work normally. If it does not, reassemble as described above.

MAINTENANCE

⚠ WARNING: When servicing, use only identical replacement parts. Use of any other parts may create a hazard or cause product damage. To ensure safety and reliability, all repairs should be performed by a qualified service technician.

⚠ WARNING: To prevent serious personal injury, remove the battery pack from the tool before servicing, cleaning, or removing material from the unit.

⚠ CAUTION: Obstructions in the vents will prevent the air from flowing into the motor housing and result in overheating or damaged of the motor.

CLEANING THE UNIT

- Clean the unit using a damp cloth with a mild detergent. Never let any liquid get inside the tool; never immerse any part of the tool into a liquid.
- Do not use any strong detergents on the plastic housing or the handle. They can be damaged by certain aromatic oils, such as pine and lemon, and by solvents such as kerosene. Moisture can also cause a shock hazard. Wipe off any moisture with a soft, dry cloth.
- Use a small brush or the air discharge of a small vacuum cleaner brush to clean the air vents on the rear housing.
- Keep the air vents free of obstructions.

SHARPENING THE LINE-CUTTING BLADE

⚠ WARNING: Always protect your hands by wearing heavy gloves when performing any maintenance on the line-cutting blade.

1. Loosen the two screws and remove the line-cutting blade from the guard (Fig. O).

0-1	Screws	0-2	Line-cutting blade
-----	--------	-----	--------------------

2. Secure the blade in a vise.
3. Carefully file the cutting edges of the blade with a fine-tooth file or sharpening stone, being careful to maintain the original cutting-edge angle.
4. Replace the blade onto the guard and secure it in place with the two screws.

STORING THE UNIT

- Remove the battery pack from the trimmer.
- Clean the tool thoroughly before storing.
- Store the unit in a dry, well-ventilated area, locked-up or up high, out of the reach of the children. Do not store the unit on or adjacent to fertilizers, gasoline, or other chemicals.

Protecting the environment



Do not dispose of electrical equipment, used battery and charger into household waste! Take this product to an authorized recycler and make it available for separate collection. Electric tools must be returned to an environmentally compatible recycling facility.

TROUBLESHOOTING

EN

PROBLEM	CAUSE	SOLUTION
Line trimmer fails to start.	<ul style="list-style-type: none"> ■ The battery pack is not attached to the trimmer. ■ No electrical contact between the trimmer and battery. ■ The battery pack is depleted. ■ The lock off switch is not being moved forward before depressing the variable speed trigger. ■ The motor shaft or trimmer head is bound with grass. 	<ul style="list-style-type: none"> ■ Attach the battery pack to the trimmer. ■ Remove battery, check contacts and reinstall the battery pack. ■ Charge the battery pack. ■ Move the locking tongue forward and then press the variable speed trigger. ■ Remove the grass from the motor shaft and trimmer head.
Line trimmer stops while cutting.	<ul style="list-style-type: none"> ■ The guard is not mounted on the trimmer, resulting in an overly long cutting line and motor overload. ■ Heavy cutting line is used. ■ The battery pack or line trimmer is too hot. ■ The battery pack is disconnected from the tool. ■ The battery pack is depleted. 	<ul style="list-style-type: none"> ■ Remove the battery pack and mount the guard on the trimmer. ■ Use recommended nylon cutting line with diameter 2.4 mm. ■ Cool the battery or line trimmer. ■ Re-install the battery pack. ■ Charge the battery pack.
Trimmer head will not advance line.	<ul style="list-style-type: none"> ■ The motor shaft or trimmer head is bound with grass. ■ There is not enough line on the spool or the line breaks from the eyelet. ■ The line is tangled. ■ The line is too short. ■ Heavy cutting line is used. ■ Trimmer head malfunction. 	<ul style="list-style-type: none"> ■ Stop the trimmer, remove the battery, and clean the motor shaft and trimmer head. ■ Remove the battery and replace the cutting line following “LINE REPLACEMENT” section in this manual. ■ Remove the battery; remove the line from the trimmer head and rewind following “RELOADING THE CUTTING LINE” section in this manual. ■ Remove the battery and pull the lines manually while alternately pressing down and releasing the trimmer head. ■ Use recommended nylon cutting line with diameter 2.4 mm. ■ Call EGO Customer Service for help.



EN

PROBLEM	CAUSE	SOLUTION
Trimmer head continues to release line automatically.	<ul style="list-style-type: none"> Light cutting line is used. 	<ul style="list-style-type: none"> Use recommended nylon cutting line with diameter 2.4 mm.
Grass is wrapped around trimmer head and motor housing.	<ul style="list-style-type: none"> Cutting tall grass at ground level 	<ul style="list-style-type: none"> Cut tall grass from the top down, removing no more than 20 cm in each pass to prevent wrapping.
The blade is not cutting the line.	<ul style="list-style-type: none"> The line-cutting blade on the edge of the guard has become dull. 	<ul style="list-style-type: none"> Follow instructions to sharpen the line-cutting blade with a file or replace it with a new blade.
Cracks on the trimmer head	<ul style="list-style-type: none"> The trimmer head is worn out. 	<ul style="list-style-type: none"> Replace the trimmer head immediately following “TRIMMER HEAD REPLACEMENT” in this manual.
The cutting line cannot be wound into the trimmer head properly.	<ul style="list-style-type: none"> Improper cutting line is used. Grass debris or dirt has accumulated in the trimmer head and blocked the movement of line spool. Motor is overheated due to repeatedly operating the line winding system. Low battery capacity The line is not wound into the spool assembly. Trimmer head is defective. 	<ul style="list-style-type: none"> We suggest that you use EGO original nylon cutting line. If using EGO nylon line and the problem persists, please call EGO customer service for advice. Remove the battery, open the trimmer head and clean it thoroughly. Let the line trimmer work under no load for a few minutes to cool the motor, then try to reload the line. Charge the battery Pull out the line and reinsert it. Call EGO Customer Service for help.
The cutting line cannot be passed through the trimmer head when inserting the line.	<ul style="list-style-type: none"> The cutting line is split or bent at the end. 	<ul style="list-style-type: none"> Cut the worn end of line and reinsert.

WARRANTY

EGO WARRANTY POLICY

Please visit the website egopowerplus.eu for full terms and conditions of the EGO Warranty policy.

ALLE ANWEISUNGEN LESEN!



LESEN SIE DIE BETRIEBSANLEITUNG



Sicherheitswarnung



Augenschutz tragen - Tragen Sie bei Einsatz dieses Geräts immer eine Schutzbrille, möglichst mit Seitenschutz, und einen Vollgesichtsschutz.



Gehörschutz tragen - Tragen Sie beim Einsatz des Geräts immer einen Gehörschutz.



Elektrische Altgeräte dürfen nicht im Hausmüll entsorgt werden. Bringen Sie das Gerät zu einem Wertstoffhof bzw. zu einer amtlichen Sammelstelle.



Sicherheitsabstand einhalten - Der Abstand zwischen dem Gerät und Umstehenden muss mindestens 15 m betragen.



Schnittbreite - Die maximale Schnittbreite des Rasentrimmers



Entfernen Sie den Akku vom Fadentrimmer, bevor Sie Wartungs- oder Reinigungsarbeiten durchführen.



Dieses Produkt erfüllt die einschlägigen Vorschriften in GB.

A Ampere

cm Zentimeter

≡ Gleichstrom

WARNSYMBOL

Beim Betrieb von Elektrowerkzeugen besteht die Gefahr, dass Fremdkörper in Ihre Augen geschleudert werden und Sie dadurch schwerwiegende Augenschäden davontragen. Tragen Sie immer eine Schutzbrille, wenn möglich mit Seitenschutz, oder, falls nötig, einen vollen Gesichtsschutz, bevor Sie Arbeiten mit dem Elektrowerkzeug verrichten. Wir empfehlen Ihnen, einen Gesichtsschutz über Ihrer eigenen Brille oder eine herkömmliche Schutzbrille mit Seitenschutz zu tragen.



Um das Verletzungsrisiko zu verringern, muss der Benutzer die Bedienungsanleitung lesen.

IPX4

Schutz vor Spritzwasser



Garantierter Schalleistungspegel.



Vorsicht vor weggeschleuderten Gegenständen - Weggeschleuderte Gegenstände können abprallen und zu Personen- oder Sachschäden führen. Stellen Sie bei Betrieb sicher, dass andere Personen und Haustiere dem Fadentrimmer fernbleiben.



Verwenden Sie keine Metallmesser am Fadentrimmer.



Fadendurchmesser - Der Durchmesser des Nylon-Mähfadens



Dieses Produkt erfüllt die einschlägigen CE-Richtlinien.

V Spannung

mm Millimeter

kg Kilogramm

.../min pro Minute

TECHNISCHE DATEN

DE

Spannung	56 V $\overline{\text{---}}$	
Leerlaufdrehzahl	Niedriger Geschwindigkeitsbereich: 3500-4800 min^{-1}	
	Hoher Geschwindigkeitsbereich: 4000-5500 min^{-1}	
Mähfadenmechanismus	LINE-IQ FEEDING	
Mähfadentyp	2,4 mm Nylon-Trimmerfaden	
Schnittbreite	40 cm	
Empfohlene Betriebstemperatur	-0°C ~ 40°C	
Empfohlene Lagertemperatur	-20°C - 70°C	
Gewicht (ohne Akku)	3,5 kg	
Gemessener Schallleistungspegel L_{WA}	90 dB(A) K=2,5 dB(A)	
L_{pA} Schalldruckpegel am Ohr des Bedieners	77 dB(A) K=3 dB(A)	
Garantierter Schallleistungspegel L_{WA} (nach 2000/14/EG gemessen)	92 dB(A)	
Vibrationswert a_{h}	Vorderer Griff	3,9 m/s^2 K=1,5 m/s^2
	Hinterer Griff	2,7 m/s^2 K=1,5 m/s^2

- Der angegebene Vibrationsgesamtwert wurde nach einem Standard-Prüfverfahren gemessen und kann zum Vergleich mit einem anderen Werkzeug herangezogen werden.
- Der angegebene Vibrationsgesamtwert kann auch zur vorläufigen Risikobewertung herangezogen werden.

HINWEIS: Die beim Einsatz des Elektrowerkzeugs entstehenden Istvibrationen können von dem angegebenen Wert abweichen. Zum Schutz des Benutzers sollten Handschuhe und ein Gehörschutz während des Geräteinsatzes getragen werden.

BESCHREIBUNG

AUFBAU IHRES FADENTRIMMERS (Abb. A1)

- Betriebsschalter mit variabler Drehzahl
- Hinterer Griffbügel

- Sicherheitsverriegelung
- 2-Stufen-Schalter
- Drehzahlanzeige
- Höhenverstellklemme
- Schnell verstellbarer vorderer Griff
- Schnellspannhebel
- Scharnier und Verriegelungsbolzen
- POWERLOAD™-Taste
- Trimmerkopf (mit LINE-IQ Fadenzuführung)
- Mähfaden
- Freigabelasche
- Fadenmesser
- Fadenschutz
- Auswurfmechanismus
- Verschluss
- Akku-Entriegelungstaste
- Innensechskantschlüssel
- Schultergurtschlaufe
- Schultergurt

PACKLISTE (ABB. A1)

MONTAGE

⚠️ WARNUNG: Wenn irgendwelche Teile beschädigt sind oder fehlen, verwenden Sie das Produkt nicht, bis alle Teile ersetzt worden sind. Die Verwendung dieses Produkts mit beschädigten oder fehlenden Teilen kann zu schweren Verletzungen führen.

⚠️ WARNUNG: Versuchen Sie nicht, dieses Produkt zu verändern oder Zubehörteile zu verwenden, die für den Einsatz des Rasentrimmers nicht empfohlen werden. Jegliche Änderung oder falsche Anwendung dieses Geräts gilt als Zweckentfremdung und kann sehr riskant sein und zu möglichen schweren Körperverletzungen führen.

⚠️ WARNUNG: Um einen unbeabsichtigten Anlauf und dadurch hervorgerufene schwere Verletzungen zu verhindern, muss der Akku beim Montieren von Teilen immer zuerst vom Gerät abgenommen werden.

AUSKLAPPEN DES SCHAFTS

⚠️ WARNUNG: Um ein Einklemmen Ihrer Hände oder Finger zu vermeiden, halten Sie den Schaft nicht am Gelenk fest.

⚠️ WARNUNG: Den Rasentrimmer erst einschalten, nachdem der Schaft sicher verriegelt wurde.

Den Schaft behutsam ausklappen und auf das im Schaft verlegte Kabel aufpassen. Anschließend den Schaft mit dem Bolzen und dem mitgelieferten Schraubenschlüssel sichern (Abb. B1 und B2).

FADENSCHUTZ MONTIEREN

⚠️ WARNUNG: Tragen Sie beim Anbringen oder Auswechseln des Schneidschutzes immer Handschuhe. Achten Sie auf das Messer am Fadenschutz und passen Sie auf, dass Sie sich nicht verletzen.

⚠️ WARNUNG: Setzen Sie das Werkzeug nur in Betrieb, wenn der Schneidschutz fest angebracht ist. Der Schneidschutz muss zum Schutz des Benutzers immer am Gerät befestigt sein! Wenn der Schneidschutz montiert ist, darf er weder entfernt noch justiert werden. Falls dieser ersetzt werden muss, wenden Sie sich an eine qualifizierte Werkstatt!

Den Rasentrimmer so festhalten, dass der Trimmerkopf nach oben zeigt (Abb. C1). Die Fadenschutzlöcher mit den Montagebohrungen fluchten lassen. Anschließend den Fadenschutz mit den beiden Schrauben am Schaftende anschrauben (Abb. C2).

HINWEIS: Vergewissern Sie sich, dass der Schutz wie in Abb. C1 und C2 dargestellt montiert ist. Eine falsche Montage ist sehr gefährlich!

MONTIEREN UND EINSTELLEN DES VORDEREN GRIFFS

1. Den Schnellspannhebel und die Flügelmutter lösen und vom vorderen Griff abnehmen (Abb. D1).

D1-1	Vorderer Griff	D1-2	Klemmstück
D1-3	Flügelmutter	D1-4	Schnellspannhebel

2. Den vorderen Griff innerhalb der Montagezone zwischen der Höhenverstellklemme und dem Scharnier auf den Schaft schieben (Abb. D2).
3. Das Klemmstück in die Aufnahme am Griff einführen (Abb. D3).
4. Schnellspannhebel montieren und die Flügelmutter vorspannen. Der vordere Griff muss sich in aufrechter

Position befinden und zur Oberseite des hinteren Griffs zeigen (Abb. D4).

5. Den Schnellspannhebel nach oben ziehen, um den vorderen Griff in eine bequeme Betriebsposition zu bewegen/zu drehen, und dann den Schnellspannhebel zum Verriegeln nach unten drücken (Abb. D5).

HINWEIS: Der vordere Griff sollte nur innerhalb der Montagezone auf dem Schaft positioniert werden.

⚠️ WARNUNG: Ohne fest montierten vorderen Haltegriff darf das Werkzeug nicht benutzt werden.

EINSTELLUNG DER TRIMMERHÖHE

Wenn die Länge des Schafts für die jeweilige Arbeit nicht geeignet ist, kann die Schaftlänge mithilfe der Höhenverstellklemme eingestellt werden.

1. Den Akku vom Rasentrimmer abnehmen.
2. Zum Einstellen der Trimmerhöhe (d. h. Schaftlänge) die Höhenverstellklemme öffnen. Anschließend den Schaft nach oben oder unten auf die gewünschte Höhe einstellen und die Höhenverstellklemme schließen, um den Schaft zu arretieren (Abb. E).

E-1	Höhenverstellklemme
-----	---------------------

HINWEIS: Der vordere Griff muss möglicherweise neu positioniert werden, nachdem die Trimmerhöhe geändert wurde.

BEFESTIGENDER SCHULTERRIEMEN

Für einen sicheren und besseren Betrieb den Gurt über eine Ihrer Schultern und über Ihren Rücken legen.

1. Die Rändelschraube und die Sechskantmutter von der Schultergurtschlaufe lösen (Abb. F1).

F1-1	Rändelschraube	F1-2	Sechskantmutter
F1-3	Schultergurtschlaufe		

2. Die Schultergurtschlaufe in einer bequemen Betriebsposition innerhalb des Befestigungsbereichs positionieren und dann durch Festziehen der Rändelschraube und der Sechskantmutter fixieren.
3. Den Schultergurt-Karabiner eindrücken, um ihn zu öffnen, und den Schultergurt am Loch in der Gurtschlaufe befestigen (Abb. F2).
4. Die Länge und Position des Schultergurts anpassen, sodass der Gurt während des Betriebs bequem sitzt.

⚠️ WARNUNG: Nehmen Sie ihn bei einem Notfall sofort von Ihrer Schulter, ganz gleich in welcher Weise der Schultergurt umgelegt ist.

Den einfachen Schultergurt und den doppelten Schultergurt sollten Sie nicht gleichzeitig verwenden.

Beim Tragen des Gurts sollte kein anderes tragbares Zubehör ein Lösen und Abnehmen des Gurts beeinträchtigen.

BETRIEB

⚠️ WARNUNG: Tragen Sie immer eine Schutzbrille, möglichst mit Seitenschutz, sowie einen Gehörschutz. Andernfalls besteht die Gefahr, dass Gegenstände in Ihre Augen geschleudert werden oder andere schwere Verletzungen verursacht werden.

Rasentrimmen: Gras und Unkraut rund um Veranden, Zäunen und Terrassen

Schneiden: Gras, das sich mit einem normalen Rasenmäher schlecht erreichen lässt.

ANBRINGEN/ABNEHMEN DES AKKUS

Nur die in Abb. A2 aufgeführten EGO Akkus und Ladegeräte verwenden.

Vor dem ersten Gebrauch voll aufladen.

Anbringen

Die Stege am Akkugehäuse mit den Geräteaufnahmen fluchten lassen und den Akku bis zum hörbaren Einrasten hineinschieben (Abb. G1).

Abnehmen

Den Akku-Freigabeknopf drücken und den Akku herausziehen (Abb. G2).

HALTEN DES FADENTRIMMERS (Abb. H)

Legen Sie zum sicheren und einfacheren Arbeiten den Schultergurt an. Bringen Sie die Länge und Position des Schultergurts in eine bequeme Betriebsposition - halten Sie den Trimmer mit beiden Händen fest: eine Hand am hinteren Griff und die andere Hand am vorderen Griff.

HINWEIS: Der Trimmerkopf ist parallel zum Boden und im richtigen Schneidabstand, wenn sich der Bediener nicht bücken muss.

⚠️ WARNUNG: Nehmen Sie ihn bei einem Notfall sofort von Ihrer Schulter, ganz gleich in welcher Weise der Schultergurt angelegt ist.

STARTEN/STOPPEN DES FADENTRIMMERS (Abb. I)

Starten

Die Schließzunge nach vorn schieben und dann den Betriebsschalter mit variabler Drehzahl betätigen.

Mit dem Schalterabzug lässt sich die Drehzahl stufenlos verstellen. Je mehr der Schalter gezogen wird, desto schneller dreht sich der Motor.

I-1	Schließzunge	I-2	Betriebsschalter mit variabler Drehzahl
-----	--------------	-----	---

Stoppen

Den Betriebsschalter loslassen.

EINSTELLEN DER DREHZAH (ABB. J)

Der Fadentrimmer hat zwei Drehzahlstufen. Den 2-Stufen-Schalter drücken, um die Schnittgeschwindigkeit zwischen niedrig und hoch zu ändern.

Die Drehzahlanzeige zeigt den aktiven Drehzahlmodus an: ein Licht für eine niedrige Drehzahl und zwei Lichter für eine hohe Drehzahl. Der niedrige Drehzahlbereich ermöglicht eine bessere Kontrolle des Trimmers und eine längere Betriebszeit pro Ladung.

J-1	Drehzahlanzeige	J-2	2-Stufen-Schalter
-----	-----------------	-----	-------------------

VERWENDUNG DES FADENTRIMMERS

Räumen Sie den Arbeitsbereich vor jedem Einsatz auf. Entfernen Sie alle Gegenstände, wie z.B. Steine, zerbrochenes Glas, Nägel, Drähte oder Schnüre, die vom Gerät weggeschleudert werden oder sich in der Schneidvorrichtung verfangen könnten. Halten Sie Kinder, Passanten und Haustiere von dem Bereich fern. Halten Sie einen Mindestabstand von 15 m zu Kindern, Umstehenden und Haustieren ein; auch dann besteht noch Gefahr durch weggeschleuderte Gegenstände. Schaulustige sollten gebeten werden, Schutzbrillen aufzusetzen. Wenn jemand auf Sie zukommt, stellen Sie den Motor und das Schneidwerkzeug sofort ab.

Vor jedem Gebrauch auf beschädigte/abgenutzte Teile prüfen

Die Prüfung sollte den Kopf des Trimmers, den Fadenschutz, den Schultergurt, die Schultergurtschlaufe und den vorderen Griff einschließen. Alle Teile, die gerissen, verzogen, verbogen oder in irgendeiner Weise beschädigt sind, müssen ersetzt werden.

Das Fadenmesser wird am Fadenschutzrand im Laufe der Zeit stumpf. Es sollte daher regelmäßig mit einer Feile nachgeschliffen oder durch ein neues Messer ersetzt werden.

⚠️ WARNUNG: Tragen Sie immer Handschuhe, wenn Sie den Fadenschutz montieren oder auswechseln oder das Mähfadenschneidermesser nachschleifen bzw. auswechseln. Achten Sie auf das Messer am Fadenschutz und passen Sie auf, dass Sie sich nicht verletzen.

Mähkopf auf Blockaden prüfen

- Zur Vermeidung von Blockaden muss der Mähkopf immer sauber gehalten werden. Entfernen Sie vor und nach jeder Benutzung Grasschnitt, Blätter, Schmutz und andere angesammelte Abfälle.
- Ist der Mähkopf blockiert, schalten Sie den Rasentrimmer ab und beseitigen Sie den Rasen, der sich vielleicht um die Motorwelle oder den Mähkopf gewickelt hat.

Den Rasentrimmer nach jedem Gebrauch reinigen.

ANPASSEN DER LÄNGE DES MÄHFADENS

Der Line-iQ Zuführtrimmerkopf ist mit fortschrittlicher Technologie ausgestattet.

Wenn eines der Enden des Mähfadens beim Trimmen auf weniger als 18 cm abgenutzt ist, löst der Trimmerkopf den Mähfaden automatisch und der überschüssige Teil des Mähfadens wird von dem Fadenmesser abgeschnitten (Abb. K).

HINWEIS: Sie müssen nicht mit dem Trimmerkopf auf den Boden tippen, um den Mähfaden zu lösen. Wenn Sie beim Trimmen des Grases ein leichtes Zittern des Trimmerkopfs spüren, wird der Mähfaden automatisch gelöst.

⚠️ WARNUNG: Der Faden- und Messer-Mechanismus darf nicht verändert oder beseitigt werden. Zu viel Fadenlänge führt zu einer Überhitzung des Motors und kann schwere Verletzungen nach sich ziehen.

AUSWECHSELN DES FADENS

HINWEIS: Verwenden Sie immer den empfohlenen Nylon-Mähfaden mit einem Durchmesser von 2,4 mm.

Bei Verwendung eines anderen Fadens kann das Werkzeug überhitzen oder beschädigt werden.

⚠️ WARNUNG: Verwenden Sie niemals metallverstärkte Mähfäden, Drähte oder Seile o. ä. Diese können abbrechen und zu gefährlichen Geschossen werden.

Der Fadentrimmer ist mit einem fortschrittlichen POWERLOAD™-System ausgestattet. Durch Betätigung eines einzigen Schalters kann der Mähfaden auf die Spule aufgewickelt werden. Das Laden einer vollen Spule kann normalerweise in 12 Sekunden abgeschlossen werden. **Eine rasch wiederholte Betätigung der Aufwicklung sollte vermieden werden, um der Gefahr eines Motorschadens vorzubeugen.**

1. Nehmen Sie den Akku ab.
2. Trennen Sie ein 4 m langes Stück Mähfaden ab.
3. Führen Sie den Faden durch die Öse hindurch und schieben Sie ihn bis zum Ende durch, bis er aus der gegenüber befindlichen Öse austritt (Abb. L1)

L1-1	Mähfaden	L1-2	Öse
------	----------	------	-----

HINWEIS: Die Ösen müssen nicht fluchten, um den Mähfaden einzuführen. Wenn der Faden nicht in die Öse eingeführt werden kann, bringen Sie den Akku am Trimmer an und drücken Sie dann kurz die POWERLOAD-Taste, um den Aufwickelmechanismus zurückzusetzen.

4. Entfernen Sie den Akku, falls er in Schritt 3 am Trimmer montiert wurde.
5. Ziehen Sie den Faden auf der anderen Seite heraus, bis die Fadenstücke auf beiden Seiten des Trimmerkopfs gleich lang sind (Abb. L2).
6. Setzen Sie den Akku in den Fadentrimmer ein.
7. Halten Sie den POWERLOAD-Schalter gedrückt, um den Fadenwickelmotor zu starten. Der Faden wird im Trimmerkopf kontinuierlich aufgewickelt.
8. Achten Sie genau auf die restliche Fadenlänge. Halten Sie sich zum Loslassen des Schalters bereit, sobald etwa 22 cm des Fadens auf beiden Seiten übrig ist. Drücken Sie kurz den Fadenwickelschalter zum Einstellen der Länge, wenn 18 cm Faden auf beiden Seiten zu sehen sind (Abb. L3).

HINWEIS: Falls der Faden versehentlich in den Trimmerkopf gezogen wurde, öffnen Sie den Trimmerkopf und ziehen Sie den Mähfaden aus der Spule. Befolgen Sie zum Aufwickeln des Fadens die Anweisungen im Abschnitt „MÄHFADEN NEU EINFÄDELN“ in dieser Bedienungsanleitung.

MÄHFADEN NEU EINFÄDELN

HINWEIS: Wenn der Mähfaden im Trimmerkopf hängen bleibt, müssen Sie den verbleibenden Mähfaden vom Trimmerkopf entfernen und die folgenden Schritte ausführen, um den Mähfaden neu einzusetzen.

1. Akku abnehmen.
2. Die beiden Freigabelaschen am Trimmerkopf drücken und die untere Spulenabdeckung geradlinig vom Trimmerkopf abziehen (Abb. M1 und M2).

M1-1	Freigabelasche	M1-2	Untere Spulenabdeckungseinheit
------	----------------	------	--------------------------------

3. Den Mähfadens vom Trimmerkopf entfernen.
4. Den Trimmer mit einer Hand festhalten. Mit der anderen Hand die untere Spulenabdeckung führen und die Öffnungen in der Spulenabdeckung mit den Freigabelaschen fluchten lassen. Die untere Spulenabdeckung andrücken, bis sie fest einrastet. Dies macht sich durch ein hörbares Klickgeräusch bemerkbar (Abb. M3).

M3-1	Freigabelasche	M3-2	Aussparung
------	----------------	------	------------

5. Zum erneuten Einsetzen des Mähfadens beachten Sie die Anweisungen im Abschnitt „**AUSWECHSELN DES FADENS**“.

TRIMMERKOPF AUSWECHSELN

⚠️ WARNUNG: Falls sich der Kopf nach dem Anbringen wieder löst, muss dieser sofort ersetzt werden. Verwenden Sie niemals einen Rasentrimmer mit lockerem Schneidwerkzeug. Ersetzen Sie einen gerissenen, beschädigten oder abgenutzten Schneidkopf sofort, selbst wenn sich die Beschädigung lediglich auf oberflächliche Risse beschränkt. Anbaugeräte dieser Art können bei hoher Drehzahl zerspringen und schwere Verletzungen verursachen.

Beschreibung des Trimmerkopfes (Abb. N1)

N1-1	Untere Abdeckung	N1-2	Mutter
N1-3	Spulen-Einheit	N1-4	Lagerbuchse

Zum Abnehmen des Trimmerkopfes

1. Akku abnehmen.
2. Die beiden Freigabelaschen am Trimmerkopf drücken und die untere Spulenabdeckung geradlinig vom Trimmerkopf abziehen (Abb. M1 und M2).
3. Den Mähfadens vom Trimmerkopf entfernen (Abb. N2).
4. Handschuhe anziehen. Die Spule mit einer Hand gegenhalten und mit der anderen Hand die Mutter gegen den Uhrzeigersinn mit einem Schlagschrauber lösen (Abb. N3).

N3-1	Mutter	N3-2	Schlagschrauber (nicht im Lieferumfang enthalten)
------	--------	------	---

5. Spulen-Einheit und Lagerbuchse vom Motorschaft entfernen. Die Lagerbuchse für die spätere Montage aufbewahren.
6. Als Ersatz einen neuen Trimmerkopf einsetzen und wie folgt montieren.

Zum Einsetzen der neuen Trimmerkopfes

1. Die Lagerbuchse im Motorschaft montieren und die Spulen-Einheit an ihrem Platz anbringen. Die Mutter mit einem Schlagschrauber festziehen.
2. Die untere Spulenabdeckung anbringen (siehe Abb. M3).
3. Mähfadens neu einfädeln.
4. Schalten Sie das Gerät ein, um zu prüfen, ob der Fadentrimmer regulär funktioniert. Falls nicht, die oben genannten Montageschritte wiederholen.

WARTUNG

⚠️ WARNUNG: Bei der Wartung nur identische Ersatzteile verwenden. Die Verwendung anderer Teile kann Unfälle und Schäden am Gerät hervorrufen. Um die Sicherheit und Zuverlässigkeit zu gewährleisten, sollten alle Reparaturen nur von qualifizierten Servicetechnikern durchgeführt werden.

⚠️ WARNUNG: Um schwere Eigenverletzungen zu verhindern, entfernen Sie den Akku aus dem Gerät, bevor Sie das Gerät warten, reinigen oder Material aus dem Gerät entfernen.

⚠️ VORSICHT: Verstopfte Lüftungsschlitze verhindern, dass die Luft in das Motorgehäuse strömen kann. Das führt zu einer Überhitzung oder zu Motorschäden.

REINIGEN DES GERÄTES

- Reinigen Sie das Gerät mithilfe eines feuchten Tuchs und eines milden Reinigungsmittels. Keine Flüssigkeit im Werkzeug lassen. Das Werkzeug darf auf keinen Fall in Flüssigkeit getaucht werden.
- Benutzen Sie keine starken Reiniger am Kunststoffgehäuse oder am Griff. Die Teile können von bestimmten ätherischen Ölen, wie z. B. Kiefern- oder Zitronenöl und von Lösungsmitteln wie Petroleum angegriffen werden. Feuchtigkeit stellt zudem eine Stromschlaggefahr dar. Wischen Sie feuchte Stellen mit einem weichen trockenen Tuch ab.

- Reinigen Sie die Lüftungsschlitze auf der Gehäuserückseite mit einer kleinen Bürste oder mit der Abluft einer kleinen Staubsaugerbürste.
- Die Lüftungsöffnungen müssen frei von Blockaden gehalten werden.

SCHÄRFEN DES FADENMESSERS

⚠ WARNUNG: Bei Wartungsarbeiten am Fadenmesser immer die Hände durch schnittfeste Handschuhe schützen.

1. Die beiden Schrauben lösen und das Fadenmesser von der Schutzabdeckung abnehmen (Abb. 0).

0-1	Schrauben	0-2	Fadenabschneider
-----	-----------	-----	------------------

2. Den Abschneider in einen Schraubstock einspannen.
3. Die Schneidkanten des Abschneiders vorsichtig mit einer feinen Feile oder einem Schleifstein anschleifen, ohne den ursprünglichen Schnittwinkel zu verändern.
4. Den Abschneider wieder am Fadenschutz anbringen und mit den beiden Schrauben festziehen.

AUFBEWAHREN DES GERÄTES

- Den Akku vom Rasentrimmer abnehmen.
- Reinigen Sie das Werkzeug gründlich, bevor Sie es lagern.
- Lagern Sie das Gerät an einem trockenen, gut belüfteten Ort, verschlossen oder hoch, außerhalb der Reichweite von Kindern. Das Gerät nicht auf oder neben Düngemitteln, Benzin oder anderen Chemikalien abstellen.

Schutz der Umwelt



Elektrogeräte, alte Akkus und Ladegeräte dürfen nicht im Hausmüll entsorgt werden! Das Gerät muss einer offiziellen Recycling-Sammelstelle zur getrennten Entsorgung zugeführt werden.

Elektrowerkzeuge müssen bei einem umweltfreundlichen Recycling-Betrieb abgegeben werden.

STÖRUNGSBEHEBUNG

DE

PROBLEM	URSACHE	LÖSUNG
Fadentrimmer lässt sich nicht starten.	<ul style="list-style-type: none"> ■ Der Akku ist nicht am Rasentrimmer angebracht. ■ Kein elektrischer Kontakt zwischen Heckenschere und Akku. ■ Der Akku ist entladen. ■ Der Sperrschalter wird nicht nach vorne bewegt, bevor der Betriebsschalter mit variabler Drehzahl gedrückt wird. ■ Die Motorwelle oder der Trimmerkopf werden durch Gras blockiert. 	<ul style="list-style-type: none"> ■ Akku am Rasentrimmer anschließen. ■ Akku herausnehmen, Kontakte überprüfen und wieder anschließen. ■ Den Akku aufladen. ■ Die Schließzunge nach vorn schieben und dann den Betriebsschalter mit variabler Drehzahl betätigen. ■ Das Gras vom Motorschaft und dem Trimmerkopf entfernen.
Fadentrimmer hält während des Trimmens an.	<ul style="list-style-type: none"> ■ Der Fadenschutz ist nicht am Rasentrimmer montiert. Dadurch wird der Faden zu lang und der Motor wird überlastet. ■ Der eingesetzte Mähfaden ist zu stark. ■ Der Akku oder der Fadentrimmer ist zu heiß. ■ Der Akku ist nicht mit dem Werkzeug verbunden. ■ Der Akku ist entladen. 	<ul style="list-style-type: none"> ■ Den Akku herausnehmen und den Fadenschutz am Trimmer anbringen. ■ Den empfohlenen Nylon-Mähfaden mit einem Durchmesser von 2,4 mm verwenden. ■ Den Akku oder den Fadentrimmer abkühlen lassen. ■ Den Akku wieder anbringen. ■ Den Akku aufladen.

PROBLEM	URSACHE	LÖSUNG
Trimmerkopf führt keinen Faden nach.	<ul style="list-style-type: none"> ■ Die Motorwelle oder der Trimmerkopf werden durch Gras blockiert. ■ Es ist nicht mehr genügend Faden in der Spule oder der Faden reißt an der Öse ab. ■ Der Faden hat sich verheddert. ■ Der Faden ist zu kurz. ■ Der eingesetzte Mähfaden ist zu stark. ■ Trimmerkopf funktioniert nicht richtig. 	<ul style="list-style-type: none"> ■ Den Rasentrimmer anhalten, den Akku herausnehmen und die Motorwelle und den Trimmerkopf reinigen. ■ Den Akku entnehmen und den Mähfaden gemäß Anweisungen unter „AUSWECHSELN DES FADENS“ in dieser Bedienungsanleitung auswechseln. ■ Den Akku entnehmen, den Faden aus dem Trimmerkopf entfernen und gemäß Anweisungen unter „MÄHFADEN NEU EINFÄDELN“ in dieser Bedienungsanleitung erneut aufwickeln. ■ Entfernen Sie den Akku und ziehen Sie mit der Hand am Faden. Drücken Sie den Mähkopf nach unten und lassen Sie ihn wieder los. Mehrmals wiederholen. ■ Den empfohlenen Nylon-Mähfaden mit einem Durchmesser von 2,4 mm verwenden. ■ Wenden Sie sich zwecks Reparatur an den EGO-Kundendienst.
Der Trimmerkopf löst den Faden weiter automatisch.	<ul style="list-style-type: none"> ■ Der eingesetzte Mähfaden ist abgenutzt. 	<ul style="list-style-type: none"> ■ Den empfohlenen Nylon-Mähfaden mit einem Durchmesser von 2,4 mm verwenden.
Gras wickelt sich um den Trimmerkopf und das Motorgehäuse.	<ul style="list-style-type: none"> ■ Schneiden von hohem Gras auf Bodenhöhe 	<ul style="list-style-type: none"> ■ Beim Mähen von hohem Gras ist zu beachten, dass in einem Durchgang nicht mehr als 20 cm gekürzt werden sollte, um ein Herumwickeln von Gras zu vermeiden.
Der Abschneider trennt den Faden nicht ab.	<ul style="list-style-type: none"> ■ Das Messer zum Abschneiden des Fadens am Fadenschutzrand ist stumpf geworden. 	<ul style="list-style-type: none"> ■ Befolgen Sie die Anweisungen zum Nachschleifen des Fadenabschneiders mit einer Feile oder tauschen Sie ihn durch ein Neuteil aus.
Risse am Trimmerkopf	<ul style="list-style-type: none"> ■ Der Mähkopf ist abgenutzt. 	<ul style="list-style-type: none"> ■ Den Mähkopf sofort ersetzen. Beachten Sie dazu die Anweisungen im Abschnitt „MÄHKOPF AUSWECHSELN“ in dieser Bedienungsanleitung.

PROBLEM	URSACHE	LÖSUNG
Der Mähfaden wickelt sich nicht richtig um den Trimmerkopf herum.	<ul style="list-style-type: none"> ■ Der eingesetzte Mähfaden ist nicht geeignet. ■ Rasenreste oder Schmutz haben sich im Mähkopf angesammelt und blockieren die Fadenspule. ■ Durch wiederholtes Betätigen der Fadenaufwicklung ist der Motor zu heiß geworden. ■ Schwacher Akku. ■ Die Faden ist nicht in die Spuleneinheit gewickelt. ■ Der Trimmerkopf ist defekt. 	<ul style="list-style-type: none"> ■ Wir empfehlen Ihnen, den Original-Nylon-Mähfaden von EGO Falls bei Verwendung eines EGO-Nylon-Mähfadens das Problem weiterhin auftritt, wenden Sie sich an denn EGO-Kundendienst. ■ Den Akku abnehmen, den Mähkopf öffnen und gründlich reinigen. ■ Zum Abkühlen des Motors den Fadentrimmer im Leerlauf mehrere Minuten laufen lassen, damit sich der Motor abkühlen kann. Anschließend versuchen, erneut Faden nachzuführen. ■ Akku aufladen ■ Den Faden herausziehen und wieder einführen. ■ Wenden Sie sich zwecks Reparatur an den EGO-Kundendienst.
Beim Einfädeln des Mähfadens lässt sich der Faden nicht durch den Trimmerkopf führen.	<ul style="list-style-type: none"> ■ Der Mähfaden ist am Ende gespalten oder verbogen. 	<ul style="list-style-type: none"> ■ Das abgenutzte Fadenendstück abtrennen und erneut einfädeln.

GARANTIE

EGO-GARANTIEBEDINGUNGEN

Sämtliche EGO Garantiebedingungen finden Sie auf der Website egopowerplus.eu.

LISEZ TOUTES LES INSTRUCTIONS!



LISEZ LE MANUEL D'UTILISATION



Alerte de sécurité



Protection oculaire : portez un masque de sécurité ou des lunettes de sécurité avec boucliers latéraux et un masque facial intégral lors de l'utilisation de ce produit.



Protection auditive — Portez toujours une protection auditive pendant l'utilisation de ce produit.



Les produits électriques usagés ne doivent pas être jetés avec les ordures ménagères. Apportez-les dans un centre de recyclage agréé.



Gardez une distance de sécurité — La distance entre la machine et les passants doit être d'au moins 15 m.



Largeur de coupe : la largeur de coupe maximale du taille-bordure



Débranchez la batterie du coupe-bordure avant de l'entretenir ou de le nettoyer



Ce produit est conforme à la législation britannique applicable.

A Ampères

cm Centimètre

Courant continu

SYMBOLE DE SECURITE

L'utilisation d'un outil électrique peut provoquer la projection d'objets étrangers dans vos yeux, ce qui peut entraîner des lésions oculaires graves. Avant de commencer à utiliser l'outil électrique, portez toujours un masque de sécurité ou des lunettes de sécurité avec des protections latérales et une visière complète si nécessaire. Nous vous recommandons de porter un masque de sécurité à vision panoramique par-dessus des lunettes de vue ou des lunettes de sécurité standards avec des protections latérales.

FR



Pour réduire le risque de blessures, l'utilisateur doit lire la notice d'utilisation.

IPX4

Protection contre les éclaboussures d'eau



Niveau de puissance acoustique garanti.



Attention aux objets projetés — Les objets projetés peuvent ricocher et causer des blessures ou des dommages matériels. Veillez à ce que les autres personnes et les animaux domestiques restent éloignés du coupe-bordure pendant son utilisation.



N'utilisez pas de lames métalliques avec le coupe-bordure.



Diamètre de fil : le diamètre du fil de coupe en nylon



Ce produit est conforme aux directives CE applicables.

V Tension


mm Millimètre

kg Kilogramme

... /min Par minute

SPÉCIFICATIONS

FR

Tension	56 V 	
Régime à vide	Plage de basse vitesse : 3500-4800 min ⁻¹ Plage de haute vitesse : 4000-5500 min ⁻¹	
Mécanisme de fil de coupe	ALIMENTATION LINE-IQ	
Type de fil de coupe	Fil torsadé en nylon 2,4 mm	
Largeur de coupe	40 cm	
Température d'utilisation recommandée	0°C - 40°C	
Température de stockage recommandée	-20°C - 70°C	
Poids (sans batterie)	3,5 kg	
Niveau de puissance acoustique mesuré L _{WA}	90 dB(A) K=2,5 dB(A)	
Niveau de pression acoustique au niveau des oreilles de l'opérateur L _{PA}	77 dB(A) K=3 dB(A)	
Niveau de puissance acoustique garanti L _{WA} (mesuré conformément à la norme 2000/14/CE)	92 dB(A)	
Niveau de vibration a _h	Poignée avant	3,9 m/s ² K=1,5 m/s ²
	Poignée arrière	2,7 m/s ² K=1,5 m/s ²

- La valeur totale des vibrations indiquée a été mesurée selon une procédure conforme à une méthode de test standardisée et peut servir pour comparer différents outils.
- La valeur totale des vibrations déclarée peut également servir pour effectuer une évaluation préliminaire de l'exposition.

REMARQUE: Le niveau de vibrations lors de l'utilisation réelle de l'outil peut être différent de la valeur déclarée totale en fonction de la manière dont l'outil est utilisé ; Afin de protéger l'opérateur, l'utilisateur doit porter des gants et des protecteurs d'oreilles en conditions réelles d'utilisation.

DESCRIPTION

DESCRIPTION DE VOTRE COUPE-BORDURE (Fig. A1)

- Gâchette à vitesse variable

- Poignée arrière
- Languette de verrouillage
- Interrupteur à 2 vitesses
- Indicateur de vitesse
- Bague de blocage de la hauteur
- Poignée avant à réglage rapide
- Levier à retrait rapide
- Bague et boulon de verrouillage
- Bouton POWERLOAD™
- Tête de coupe (avec alimentation LINE-IQ)
- Fil de coupe
- Languette de déblocage
- Lame de coupe du fil
- Carter
- Mécanisme d'éjection
- Verrou
- Bouton de déblocage de la batterie
- Clé à six pans
- Attache de sangle d'épaule
- Sangle d'épaule

CONTENU DE L'EMBALLAGE (IMAGE A1)

ASSEMBLAGE

AVERTISSEMENT : Si une ou plusieurs pièces sont manquantes ou endommagées, n'utilisez pas cet outil tant que toutes les pièces n'ont pas été remplacées. Utiliser cet outil avec des pièces endommagées ou manquantes peut provoquer des blessures corporelles graves.

AVERTISSEMENT : N'essayez jamais de modifier ce produit ni de créer des accessoires non recommandés pour une utilisation avec ce taille-bordures. De tels modifications et changements constituent un usage impropre et peuvent engendrer des situations dangereuses pouvant conduire à des blessures corporelles graves.

AVERTISSEMENT : Pour éviter un démarrage accidentel pouvant provoquer des blessures graves, retirez toujours la batterie de la machine avant d'assembler des pièces.

DEPLIER LE MANCHE

⚠ AVERTISSEMENT : Ne maintenez pas le manche au niveau de l'articulation afin d'éviter de vous pincer les mains ou les doigts.

⚠ AVERTISSEMENT : N'essayez pas de démarrer le taille-bordure avant d'avoir fixé le manche.

Dépliez le manche avec précaution en veillant à ce que le câble soit à l'intérieur du manche puis fixez-le avec les boulons à l'aide de la clé fournie (images B1 et B2).

MONTAGE DU CARTER

⚠ AVERTISSEMENT : Portez toujours des gants pour assembler ou remplacer le carter de protection. Prenez garde à la lame du capot de protection et protégez vos mains des blessures dues à la lame.

⚠ AVERTISSEMENT : N'utilisez jamais la machine sans que son carter de protection ne soit bien en place. Le carter de protection doit toujours être monté sur la machine pour protéger l'utilisateur ! Une fois que le carter a été fixé, n'essayez jamais de le démonter ou de le régler. S'il doit être remplacé, cela doit être fait par un réparateur qualifié !

Placez le taille-bordure en orientant sa tête vers le haut (image C1). Alignez les trous de fixation du carter sur les trous du manche, puis fixez le carter sur la base du manche avec les deux vis (image C2).

REMARQUE: Vérifiez que le carter est fixé comme montré sur les images C1 et C2, un montage dans le mauvais sens est très dangereux !

INSTALLATION ET RÉGLAGE DE LA POIGNÉE AVANT

1. Desserrez et retirez le levier à retrait rapide et l'écrou papillon de la poignée avant (Fig. D1).

D1-1	Poignée avant	D1-2	Bloc de fixation
D1-3	Écrou papillon	D1-4	Levier à retrait rapide

2. Poussez la poignée avant sur le manche dans la zone de montage située entre la bague de blocage de la hauteur et la bague de verrouillage (Fig. D2).
3. Glissez le bloc de fixation dans la fente située sur le manche (Fig. D3).
4. Montez le levier à retrait rapide et pré-serrez l'écrou papillon. Veillez à ce que la poignée avant soit tournée vers le haut et dirigée vers le haut de la poignée arrière (Fig. D4).

5. Tirez le levier à retrait rapide vers le haut pour déplacer/pivoter la poignée avant jusqu'à une position d'utilisation confortable, puis verrouillez le levier à retrait rapide (Fig. D5).

REMARQUE: La poignée avant doit être positionnée sur le manche uniquement dans la zone de montage.

⚠ AVERTISSEMENT: L'outil ne peut pas être utilisé sans que la poignée avant ne soit solidement fixée.

AJUSTER LA HAUTEUR DU COUPE-BORDURE

Si la longueur du manche ne convient pas, vous pouvez l'ajuster à l'aide de la bague de blocage de la hauteur.

1. Retirez la batterie de l'outil.
2. Pour régler la hauteur du coupe-bordure (c'est-à-dire la longueur du manche), ouvrez la bague de blocage de la hauteur, puis faites glisser le manche vers le haut ou vers le bas jusqu'à la hauteur souhaitée, en le fixant en refermant la bague de blocage de la hauteur (Fig. E).

E-1	Bague de blocage de la hauteur
-----	--------------------------------

REMARQUE : Il peut être nécessaire de repositionner la poignée avant après avoir modifié la hauteur du coupe-bordure.

ATTACHER LA SANGLE D'ÉPAULE

Pour un fonctionnement plus sûr et plus efficace, placez la sangle sur l'une de vos épaules et en travers de votre dos.

1. Desserrez le bouton à vis et l'écrou hexagonal de l'attache de la sangle (Fig. F1).

F1-1	Bouton à vis	F1-2	Écrou hexagonal
F1-3	Attache de sangle d'épaule		

2. Placez l'attache de la sangle dans une position confortable à l'intérieur de la zone d'installation, puis fixez-la en serrant le bouton à vis et l'écrou hexagonal.
3. Appuyez sur le mousqueton de la sangle pour l'ouvrir et fixez la sangle dans le trou de l'attache (Fig. F2).
4. Réglez la longueur et l'emplacement de la sangle pour obtenir une position de travail confortable.

⚠ AVERTISSEMENT : En cas d'urgence, retirez-la immédiatement de votre épaule, quelle que soit la manière dont elle est portée.

N'utilisez pas la bandoulière simple et la bandoulière double simultanément.

Lorsque vous portez la bandoulière, rien ne doit interférer avec son retrait.

FR

FONCTIONNEMENT

⚠ AVERTISSEMENT : Veuillez toujours porter des lunettes de protection ou des lunettes de sécurité avec protections latérales, ainsi qu'une protection auditive. Sans protection, des objets peuvent être projetés dans vos yeux et d'autres blessures graves peuvent se produire.

Tailler : pour tailler le gazon et les mauvaises herbes autour des porches, barrières et terrasses.

Couper : pour couper le gazon difficile à atteindre avec une tondeuse classique.

INSERTION / RETRAIT DE LA BATTERIE

Utilisez exclusivement les batteries et les chargeurs EGO listés à la Fig.A2.

Rechargez complètement la batterie avant la première utilisation.

Insertion

Alignez les arêtes de la batterie avec les rainures d'assemblage et poussez la batterie vers le bas jusqu'à entendre un déclic (Fig. G1).

Retrait

Appuyez sur le bouton de déverrouillage de la batterie et retirez la batterie hors de l'outil (Fig. G2).

MAINTIEN DU COUPE-BORDURE (Fig. H)

Pour votre sécurité et une meilleure prise en main, placez la bandoulière en travers de vos épaules. Réglez la longueur et l'emplacement de la bandoulière pour obtenir une position de travail confortable - tenez le coupe-bordure à deux mains : une main sur la poignée arrière et l'autre sur la poignée avant.

REMARQUE : La tête de coupe est parallèle au sol à une distance de coupe appropriée sans que l'opérateur ne soit penché.

⚠ AVERTISSEMENT : En cas d'urgence, retirez la sangle immédiatement de votre épaule, quelle que soit la manière dont elle est portée.

DÉMARRAGE/ARRÊT DU COUPE-BORDURE (Fig. I)

Démarrage

Poussez la languette de verrouillage en avant puis appuyez sur la gâchette à vitesse variable.

La gâchette permet d'ajuster la vitesse en continu. Plus vous enfoncez la gâchette, plus la vitesse augmente.

I-1	Langue de verrouillage	I-2	Gâchette à vitesse variable
-----	------------------------	-----	-----------------------------

Arrêt

Relâchez la gâchette à vitesse variable.

FONCTION DE RÉGLAGE DE LA VITESSE (Fig. J)

Le coupe-bordure possède deux réglages de vitesse. Appuyez sur l'interrupteur à 2 vitesses pour changer la vitesse de coupe entre la vitesse basse et haute.

L'indicateur de vitesse affiche l'état de la vitesse active : un voyant pour la vitesse basse et deux voyants pour la vitesse haute. La vitesse basse permet un meilleur contrôle du coupe-bordure et une plus longue durée d'utilisation par charge.

J-1	Indicateur de vitesse	J-2	Interrupteur à 2 vitesses
-----	-----------------------	-----	---------------------------

UTILISATION DU COUPE-BORDURE

Nettoyez la zone à couper avant chaque utilisation. Retirez tous les objets pouvant être pris dans les accessoires de coupe ou être projetés, par exemple les pierres, les morceaux de verre, les clous, les fils métalliques ou les ficelles. Veillez à ce qu'il n'y ait aucune autre personne, aucun enfant, ni aucun animal dans l'aire de travail.

Veillez à ce que les enfants, les animaux ainsi que toute autre personne se tiennent toujours à au moins 15 m de l'outil en fonctionnement ; le risque de projection d'objets reste présent. Insistez à ce que les autres personnes présentes à proximité portent une protection oculaire. Si une personne s'approche de vous, éteignez immédiatement le moteur et l'accessoire de coupe.

Avant chaque utilisation, inspectez l'outil pour vérifier qu'aucune de ses pièces n'est endommagée / usée.

Vérifiez la tête de coupe, le carter de protection, la bandoulière, l'attache de la bandoulière et la poignée avant. Remplacez toutes les pièces qui sont fissurées, déformées, pliées ou endommagées de quelque façon que ce soit.

La lame de coupe du fil sur le bord du carter de protection s'use avec le temps. Il est recommandé de l'affûter

régulièrement avec une lime ou de la remplacer par une lame neuve.

⚠ AVERTISSEMENT : Portez toujours des gants quand vous assemblez ou remplacez le carter de protection ou quand vous affûtez ou remplacez la lame coupe-fil. Notez l'emplacement de la lame sur la protection et protégez vos mains contre les blessures.

Blocage de la tête de taille-bordures

- Pour éviter tout blocage, gardez la tête du taille-bordures propre. Enlevez l'herbe coupée, les feuilles, la saleté et tout autre débris accumulé avant et après chaque utilisation.
- En cas de blocage, arrêtez le taille-bordures et retirez-en la batterie, puis enlevez l'herbe qui aurait pu s'enrouler autour de l'arbre du moteur ou de la tête du taille-bordures.

Après chaque utilisation, nettoyez l'outil.

RÉGLAGE DE LA LONGUEUR DU FIL DE COUPE

La tête de coupe à alimentation Line-IQ est équipée d'une technologie avancée.

Si l'une des extrémités du fil de coupe s'use de moins de 18 cm pendant la coupe, la tête de coupe libère automatiquement du fil de coupe, et un fil de coupe trop long sera coupé par la lame coupe-fil (Fig. K).

REMARQUE : Il n'est pas nécessaire de taper sur la tête du coupe-bordure pour libérer du fil de coupe. Si vous ressentez un léger tremblement de la tête du coupe-bordure lors de l'utilisation, c'est que du fil de coupe est libéré automatiquement.

⚠ AVERTISSEMENT : Ne retirez pas et ne modifiez pas l'assemblage de la lame de coupe du fil. Un fil de coupe trop long peut provoquer la surchauffe du moteur et entraîner des blessures corporelles graves.

CHANGER LE FIL DE COUPE

REMARQUE: Utilisez toujours le fil de coupe en nylon recommandé, d'un diamètre de 2,4 mm.

L'utilisation d'un autre fil que celui spécifié peut provoquer la surchauffe ou la détérioration du coupe-bordure.

⚠ AVERTISSEMENT : N'utilisez jamais de corde, de fil métallique, de fil à renfort métallique, etc. Ces derniers peuvent se rompre et devenir des projectiles dangereux.

Le coupe-bordure est équipé d'un système avancé POWERLOAD™. Le fil de coupe peut être enroulé

sur la bobine par simple pression sur un bouton. Le chargement d'une bobine pleine peut généralement être effectué en 12 secondes. **Évitez d'enrouler le fil de façon répétée et en successions rapides afin de ne pas endommager le moteur.**

1. Retirez la batterie.
2. Coupez un morceau de fil de coupe de 4 m de long.
3. Insérez le fil dans l'œillet et poussez le fil jusqu'à ce que l'autre extrémité du fil ressorte de l'œillet opposé (Fig. L1).

L1-1	Fil de coupe	L1-2	Œillet
------	--------------	------	--------

REMARQUE : Il n'est pas nécessaire d'aligner les œillets pour insérer le fil de coupe. Si le fil ne peut pas être inséré dans l'œillet, montez la batterie sur le coupe-bordure, puis appuyez brièvement sur le bouton POWERLOAD pour réinitialiser le mécanisme d'enroulement.

4. Retirez la batterie si elle a été montée sur le coupe-bordure à l'étape 3.
5. Tirez le fil de l'autre côté jusqu'à ce qu'il y ait une longueur de fil identique de chaque côté de la tête de coupe (Fig. L2).
6. Insérez la batterie dans le coupe-bordure.
7. Maintenez le bouton POWERLOAD enfoncé pour démarrer le moteur d'enroulement du fil. Le fil s'enroule dans la tête de coupe de façon continue.
8. Faites bien attention à la longueur de fil restant. Préparez-vous à relâcher le bouton dès qu'il reste environ 22 cm de fil de chaque côté. Appuyez brièvement sur le bouton de charge de fil pour ajuster la longueur jusqu'à ce que 18 cm de fil dépasse de chaque côté (Fig. L3).

REMARQUE : Si le fil est entièrement rentré dans la tête de coupe par accident, ouvrez la tête et retirez le fil de la bobine. Suivez l'étape « **RECHARGER LE FIL DE COUPE** » de ce manuel pour recharger le fil.

RECHARGER LE FIL DE COUPE

REMARQUE : Lorsque le fil de coupe se coince dans la tête de coupe, vous devez retirer le fil de coupe restant de la tête de coupe et suivre les étapes ci-dessous pour recharger le fil.

1. Retirez la batterie.
2. Appuyez sur les languettes de déblocage de la tête de coupe et retirez le capot inférieur de la tête de coupe en tirant dessus (Fig. M1 et M2).

M1-1	Langchette de déblocage	M1-2	Boîtier inférieur
------	-------------------------	------	-------------------

- Retirez le fil de coupe de la tête de coupe.
- Tenez l'outil à une main et utilisez l'autre main pour maintenir le capot inférieur et alignez les fentes du capot inférieur avec les languettes de déblocage. Enfoncez le capot inférieur jusqu'à ce qu'il se mette en place en émettant un « clic » audible (Fig. M3).

M3-1	Langchette de déblocage	M3-2	Fente
------	-------------------------	------	-------

- Pour recharger le fil de coupe, suivez la procédure « REMPLACEMENT DU FIL DE COUPE ».

REPLACEMENT DE LA TÊTE DE COUPE

⚠ AVERTISSEMENT : Si la tête se desserre après avoir été fixée, remplacez-la immédiatement. N'utilisez jamais l'outil avec un accessoire de coupe desserré. Remplacez immédiatement la tête de coupe si elle est fissurée, endommagée ou usée, même si la détérioration se limite à des fissures superficielles. De tels accessoires peuvent éclater à haute vitesse et provoquer des blessures graves.

Description de la tête de coupe (Fig. N1)

N1-1	Capot inférieur	N1-2	Écrou
N1-3	Bobine	N1-4	Bague

Retrait de la tête de coupe

- Retirez la batterie.
- Appuyez sur les languettes de déblocage de la tête de coupe et retirez le capot inférieur de la tête de coupe en tirant dessus (voir Fig. M1 et M2).
- Retirez le fil de coupe de la tête de coupe (Fig. N2).
- Portez des gants. Stabilisez la bobine à une main et utilisez l'autre main pour maintenir une visseuse à chocs (non fournie) et desserrer l'écrou dans le sens inverse des aiguilles d'une montre (Fig. N3).

N3-1	Écrou	N3-2	Visseuse à chocs (non incluse)
------	-------	------	--------------------------------

- Retirez la bobine et la bague de l'arbre du moteur. Conservez la bague pour un montage ultérieur.
- Placez une nouvelle tête de coupe et montez-la comme décrit dans les étapes suivantes.

Installer la nouvelle tête de coupe

- Montez la bague sur l'arbre du moteur et mettez la bobine en place. Utilisez une visseuse à chocs pour serrer l'écrou.
- Montez le capot inférieur (voir Fig. M3).
- Rechargez le fil de coupe.
- Démarrez l'outil pour voir si le coupe-bordure fonctionne normalement. Si tel n'est pas le cas, réassemblez l'outil comme décrit ci-dessus.

ENTRETIEN

⚠ AVERTISSEMENT : L'outil ne doit être réparé qu'avec des pièces de rechange identiques. L'utilisation de toute autre pièce peut créer un danger ou détériorer l'outil. Pour garantir la sécurité et la fiabilité, toutes les réparations doivent être effectuées par un réparateur qualifié.

⚠ AVERTISSEMENT : Pour éviter des blessures corporelles graves, retirez la batterie de l'outil avant toute opération de réparation, nettoyage ou de retrait de matières de l'outil.

⚠ ATTENTION : Si les ouïes de ventilation sont bouchées, cela empêchera l'air de circuler dans le boîtier du moteur, ce qui peut provoquer la surchauffe et la détérioration du moteur.

NETTOYER L'OUTIL

- Nettoyez l'outil avec un chiffon humide et un détergent doux. Veillez à ce qu'aucun liquide ne pénètre jamais dans l'outil. N'immergez jamais aucune partie de l'outil dans un liquide.
- N'utilisez pas de détergent puissant sur le boîtier en plastique ou sur la poignée, car ils peuvent être endommagés par certaines huiles aromatiques, par exemple de pin et de citron, et par les solvants, par exemple l'essence. L'humidité peut également générer un risque de choc électrique. Essuyez les traces d'humidité avec un chiffon doux et sec.
- Avec une petite brosse ou un petit aspirateur, nettoyez les ouïes de ventilation du boîtier arrière.
- Veillez à ce que les ouïes de ventilation restent exemptes d'obstruction.

AFFUTER LA LAME COUPE-FIL

⚠ AVERTISSEMENT : Protégez toujours vos mains en portant des gants pour travaux lourds pendant toutes les opérations d'entretien de la lame de coupe.

1. Desserrez les deux vis et retirez la lame coupe-fil du carter (Fig. 0).

0-1	Vis	0-2	Lame de coupe
-----	-----	-----	---------------

2. Fixez la lame dans un étau.
3. Limez soigneusement les bords coupants de la lame à l'aide d'une lime fine ou d'une pierre à aiguiser, en veillant à bien suivre l'angle du bord de coupe d'origine.
4. Remplacez la lame sur le carter et fixez-la avec les deux vis.

FR

STOCKAGE DE L'UNITÉ

- Retirez la batterie de l'outil.
- Nettoyez soigneusement l'outil avant de le ranger.
- Rangez l'unité dans un endroit sec, bien aéré, fermé à clé ou en hauteur, hors de portée des enfants. Ne rangez pas l'unité sur ou à côté d'engrais, d'essence ou d'autres substances chimiques.

Protection de l'environnement



Ne jetez pas les équipements électriques, les batteries et les chargeurs usagés avec les ordures ménagères ! Apportez ce produit chez un recycleur agréé et rendez-le disponible pour une collecte séparée. Les outils électriques doivent être amenés dans un centre de recyclage pour assurer le respect de l'environnement.

DÉPANNAGE

FR

PROBLÈME	CAUSE	SOLUTION
Le coupe-bordure ne démarre pas.	<ul style="list-style-type: none"> ■ La batterie n'est pas insérée dans le taille-bordures. ■ Il n'y a pas de contact électrique entre l'outil et la batterie. ■ La batterie est déchargée. ■ L'interrupteur de verrouillage n'a pas été déplacé vers l'avant avant d'appuyer sur la gâchette à vitesse variable. ■ L'arbre du moteur ou la tête de coupe est bloquée par de l'herbe. 	<ul style="list-style-type: none"> ■ Insérez la batterie dans le taille-bordures. ■ Retirez la batterie, inspectez les contacts, puis réinsérez la batterie. ■ Rechargez la batterie. ■ Poussez la languette de verrouillage en avant puis appuyez sur la gâchette à vitesse variable. ■ Retirez l'herbe de l'arbre du moteur et de la tête de coupe.
Le coupe-bordure s'arrête pendant la coupe.	<ul style="list-style-type: none"> ■ Le carter n'est pas monté sur l'outil, ce qui provoque une longueur excessive du fil de coupe et la surcharge du moteur. ■ Un fil de coupe trop épais est utilisé. ■ La batterie ou le coupe-bordure est trop chaud. ■ La batterie est déconnectée de l'outil. ■ La batterie est déchargée. 	<ul style="list-style-type: none"> ■ Retirez la batterie, puis montez le carter sur l'outil. ■ Utilisez le fil de coupe en nylon recommandé de 2,4 mm de diamètre. ■ Refroidissez la batterie ou le coupe-bordure. ■ Réinstallez la batterie. ■ Rechargez la batterie.

PROBLÈME	CAUSE	SOLUTION
La tête de coupe ne fait pas avancer le fil de coupe.	<ul style="list-style-type: none"> ■ L'arbre du moteur ou la tête de coupe est bloquée par de l'herbe. ■ Il n'y a pas assez de fil sur la bobine ou le fil s'est rompu de l'œillet. ■ Le fil de coupe est emmêlé. ■ Le fil de coupe est trop court. ■ Un fil de coupe trop épais est utilisé. ■ Dysfonctionnement de la tête de coupe. 	<ul style="list-style-type: none"> ■ Éteignez l'outil, retirez la batterie puis nettoyez l'arbre du moteur et de la tête de coupe. ■ Retirez la batterie et remplacez le fil de coupe en vous référant à la partie « CHANGER LE FIL DE COUPE » de ce manuel. ■ Retirez la batterie, enlevez le fil de la tête de coupe, puis rembobinez-le en vous référant à la partie « RECHARGER LE FIL DE COUPE » de ce manuel. ■ Retirez la batterie, puis tirez les extrémités du fil de coupe en appuyant et en relâchant la tête de coupe de manière alternée. ■ Utilisez le fil de coupe en nylon recommandé de 2,4 mm de diamètre. ■ Contactez le service client EGO pour obtenir de l'aide.
La tête de coupe continue à libérer du fil automatiquement.	<ul style="list-style-type: none"> ■ Un fil de coupe trop fin est utilisé. 	<ul style="list-style-type: none"> ■ Utilisez le fil de coupe en nylon recommandé de 2,4 mm de diamètre.
De l'herbe s'enroule autour de la tête de coupe et du boîtier du moteur.	<ul style="list-style-type: none"> ■ Vous coupez de l'herbe haute au ras du sol. 	<ul style="list-style-type: none"> ■ Coupez les herbes hautes de haut en bas en coupant 20 cm au maximum à chaque passage pour éviter que l'herbe ne s'enroule.
La lame ne coupe pas le fil de coupe.	<ul style="list-style-type: none"> ■ La lame de coupe du fil sur le bord du carter est usée. 	<ul style="list-style-type: none"> ■ Affûtez la lame de coupe du fil avec une lime en suivant les consignes ou remplacez-la par une lame neuve.
Fissures sur la tête de coupe	<ul style="list-style-type: none"> ■ La tête de coupe est usée. 	<ul style="list-style-type: none"> ■ Remplacez la tête de coupe immédiatement en vous référant à la partie « REPLACEMENT DE LA TÊTE DE COUPE » de ce manuel.

PROBLÈME	CAUSE	SOLUTION
Le fil ne s'enroule pas correctement dans la tête de coupe.	<ul style="list-style-type: none"> ■ Un fil de coupe inadapté est utilisé. ■ Des résidus d'herbes ou de la saleté s'est accumulée dans la tête de coupe et a bloqué le mouvement de la bobine. ■ Le moteur est en surchauffe en raison de l'utilisation répétée du système d'enroulement du fil. ■ Batterie faible. ■ Le fil n'est pas enroulé dans la bobine. ■ La tête de coupe est défectueuse. 	<ul style="list-style-type: none"> ■ Nous vous recommandons d'utiliser le fil de coupe en nylon d'origine de la marque EGO. Si vous utilisez un fil en nylon EGO et que le problème persiste, demandez conseil au service client EGO. ■ Retirez la batterie, ouvrez la tête de coupe et nettoyez-la soigneusement. ■ Faites fonctionner le coupe-bordure à vide pendant quelques minutes pour refroidir le moteur puis essayez de recharger le fil. ■ Rechargez la batterie ■ Retirez le fil et réinsérez-le. ■ Contactez le service client EGO pour obtenir de l'aide.
Le fil ne parvient pas à passer à travers la tête de coupe lorsqu'on l'y insère.	<ul style="list-style-type: none"> ■ Le fil est fendu ou courbé à son extrémité. 	<ul style="list-style-type: none"> ■ Coupez l'extrémité usagée du fil et réinsérez-le.

GARANTIE

POLITIQUE DE GARANTIE EGO

Visitez le site Web egopowerplus.eu pour consulter l'intégralité des conditions de la politique de garantie EGO.

¡LEA TODAS LAS INSTRUCCIONES!



LEA EL MANUAL DEL USUARIO



Aviso de seguridad

Lleve protección ocular: utilice siempre gafas de seguridad, gafas con cristales anti-impacto que cuenten con pantallas de protección lateral, o bien una máscara facial que proteja completamente la cara.



Lleve protección auditiva: utilice siempre protección auditiva cuando use este producto.



Los productos eléctricos no deben eliminarse con la basura doméstica. Lívelos a un centro de reciclaje autorizado.



Mantenga una distancia segura: la distancia entre la máquina y otras personas debe ser al menos 15 m.



Anchura de corte: la anchura de corte máxima del cortabordes con cabezal de hilo



Desconecte la batería del cortabordes de hilo antes de realizar trabajos de mantenimiento o limpieza.

**UK
CA**

Este producto está en conformidad con la legislación aplicable del Reino Unido.

A Amperios

cm Centímetro

Corriente continua

SÍMBOLO DE SEGURIDAD

Cuando se utilizan herramientas eléctricas, es posible que salgan despedidos objetos que podrían causar lesiones oculares graves. Antes de empezar a usar herramientas eléctricas, póngase siempre gafas de seguridad, gafas con cristales anti-impacto que cuenten con pantallas de protección lateral, o bien una máscara facial que proteja completamente la cara. Recomendamos usar una máscara de seguridad de amplia visión que pueda utilizarse encima de gafas graduadas, o bien gafas normales de seguridad equipadas con pantallas laterales.



Para reducir el riesgo de lesiones, el usuario debe leer el manual de instrucciones.

IPX4 Protección contra salpicaduras de agua



Nivel de potencia acústica garantizado.



Tenga cuidado con los objetos que salgan despedidos: los objetos lanzados pueden rebotar y provocar lesiones personales o daños materiales. Asegúrese de que las personas y los animales domésticos se mantengan alejados del cortabordes de hilo cuando se esté usando.



No utilice cuchillas de metal en el cortabordes de hilo.



Diámetro del hilo: tenga en cuenta el diámetro del hilo de corte indicado.



Este producto está en conformidad con las directivas de la CE aplicables.

V Tensión

mm Milímetro

kg Kilogramo

...rpm Por minuto

ES

ESPECIFICACIONES

ES

Tensión	56 V $\overline{\text{---}}$	
Velocidad sin carga	Rango de baja velocidad: 3500-4800 rpm	
	Rango de alta velocidad: 4000-5500 rpm	
Mecanismo de línea de corte	ALIMENTACIÓN LINE-IQ	
Tipo de hilo de corte	Hilo retorcido de nailon de 2,4 mm	
Anchura de corte	40 cm	
Temperatura de funcionamiento recomendada	De 0°C a 40°C	
Temperatura de almacenamiento recomendada	De -20°C a 7°C	
Peso (sin batería)	3,5 kg	
Nivel de potencia acústica medido L_{WA}	90 dB(A) K=2,5 dB(A)	
Nivel de presión acústica medido a la altura del oído del usuario L_{PA}	77 dB(A) K=3 dB(A)	
Nivel de potencia acústica garantizado L_{WA} (medido según 2000/14/CE)	92 dB(A)	
Evaluación de la vibración a_h	Empuñadura delantera	3,9 m/s ² K=1,5 m/s ²
	Empuñadura trasera	2,7 m/s ² K=1,5 m/s ²

- El valor de vibración total ha sido medido de acuerdo con el método de prueba estándar y se puede utilizar para comparar herramientas.
- El valor total de vibración declarado se puede usar además en una evaluación preliminar del grado de exposición.

AVISO: Las vibraciones generadas durante el uso real de la herramienta eléctrica pueden diferir del valor declarado en función de la manera en que se utilice. Como protección, el usuario debería utilizar guantes y protectores auditivos en condiciones reales de uso.

DESCRIPCIÓN

FAMILIARÍCESE CON EL CORTABORDES CON CABEZAL DE HILO (Fig. A1)

1. Gatillo para la velocidad variable
2. Empuñadura trasera
3. Lengüeta de bloqueo

4. Interruptor de 2 velocidades
5. Indicador de velocidad
6. Collarín de bloqueo de altura
7. Empuñadura delantera de ajuste rápido.
8. Palanca de liberación rápida
9. Bisagra y perno de bloqueo
10. Botón POWERLOAD™
11. Cabezal de corte (con alimentación LINE-IQ)
12. Hilo de corte
13. Lengüeta de liberación
14. Cuchilla de recorte del hilo
15. Protección
16. Mecanismo de expulsión
17. Seguro
18. Botón de liberación de la batería
19. Llave hexagonal
20. Correa en bucle para el hombro
21. Correa bandolera

LISTA DE CONTENIDO (FIG. A1)

MONTAJE

⚠ ADVERTENCIA: Si alguna pieza falta o está rota, no utilice el producto hasta haber sustituido las piezas. Podrían producirse lesiones graves en caso de utilizar el producto si alguna de sus piezas falta o está dañada.

⚠ ADVERTENCIA: No intente modificar esta herramienta en modo alguno ni fabricar accesorios no recomendados para el uso con este cortabordes con cabezal de hilo. Cualquier alteración o modificación se considerará uso indebido y podría provocar una situación peligrosa con riesgo de sufrir lesiones graves.

⚠ ADVERTENCIA: Para evitar una puesta en marcha accidental que podría causar lesiones graves, quite siempre la batería de la máquina antes de montar piezas.

DESPLEGAR EL TUBO

⚠ ADVERTENCIA: Para evitar pellizcarse las manos o los dedos, no sujete el tubo por la articulación.

⚠ ADVERTENCIA: No ponga en marcha el cortabordes hasta que el tubo esté bloqueado.

Despliegue el tubo con cuidado, asegurándose de que el cable esté dentro del tubo, y bloquéelo con los el perno utilizando la llave incluida (fig. B1 y B2).

MONTAJE DE LA PROTECCIÓN

⚠ ADVERTENCIA: Utilice siempre guantes al instalar o sustituir la protección. Tenga cuidado con la cuchilla instalada en la protección y proteja sus manos para evitar cortarse con ella.

⚠ ADVERTENCIA: Nunca utilice la máquina sin la protección instalada y firmemente sujeta en su sitio. ¡La protección deberá estar siempre instalada en la máquina para proteger al usuario! Cuando la protección esté fijada, no intente nunca quitarla o ajustarla. ¡En caso de que haya que sustituirla, deberá hacerlo un técnico cualificado!

Coloque el cortabordes de manera que el cabezal quede orientado hacia arriba (fig. C1). Alinee los orificios de montaje de la protección con los orificios de instalación y, a continuación, bloquee la protección sobre la base del tubo utilizando los dos tornillos (fig. C2).

AVISO: Asegúrese de que la protección esté fijada tal como se muestra en las fig. C1 y C2. ¡Si se fija de forma inversa provocará una situación de peligro grave!

MONTAJE Y AJUSTE DE LA EMPUÑADURA DELANTERA

1. Afloje y retire la palanca de liberación rápida y la tuerca de mariposa de la empuñadura delantera (fig. D1).

D1-1	Empuñadura delantera	D1-2	Bloque de fijación
D1-3	Tuerca de mariposa	D1-4	Palanca de liberación rápida

2. Empuje la empuñadura delantera sobre el tubo dentro de la zona de montaje entre el collarín de bloqueo de altura y la bisagra (fig. D2).
3. Inserte el bloque de fijación en la ranura de la empuñadura (fig. D3).
4. Monte la palanca de liberación rápida y apriete previamente la tuerca de mariposa. Asegúrese de que la empuñadura delantera quede posicionada hacia arriba y apunte hacia la parte superior de la empuñadura trasera (fig. D4).

5. Tire de la palanca de liberación rápida hacia arriba para mover/girar la empuñadura delantera a una posición de funcionamiento cómoda, y después bloquee la palanca de liberación rápida (fig. D5).

AVISO: La empuñadura delantera debe colocarse en el tubo solo dentro de la zona de montaje.

⚠ ADVERTENCIA: La herramienta no se puede usar si la empuñadura delantera no está sujeta de forma segura.

AJUSTE DE LA ALTURA DE LA CORTADORA

Si la longitud del tubo no es adecuada para la aplicación que va a realizar, puede ajustarla con el collarín de bloqueo de altura.

1. Quite la batería del cortabordes.
2. Para ajustar la altura del cortabordes (es decir, la longitud del tubo), abra el collarín de bloqueo de altura y, a continuación, deslice el tubo hacia arriba o hacia abajo hasta la altura que desee, y sujételo en esa posición apretando el collarín de bloqueo de altura (fig. E).

E-1	Collarín de bloqueo de altura
-----	-------------------------------

AVISO: Puede que tenga que volver a posicionar la empuñadura delantera después de cambiar la altura del cortabordes.

COLOCACIÓN DE LA CORREA PARA EL HOMBRO

Para usar la herramienta mejor y con más seguridad, colóquese la correa sobre uno de los hombros y cruzándole la espalda.

1. Afloje la perilla del tornillo y la tuerca hexagonal de la correa en bucle para el hombro (fig. F1).

F1-1	Perilla del tornillo	F1-2	Tuerca hexagonal
F1-3	Correa en bucle para el hombro		

2. Coloque la correa en bucle para el hombro en una posición de uso cómoda dentro de la zona de instalación y, a continuación, fjela apretando la perilla del tornillo y la tuerca hexagonal.
3. Presione el mosquetón de la correa para el hombro para abrirlo y coloque la correa para el hombro en el orificio de la correa en bucle (fig. F2).
4. Ajuste la longitud y la ubicación de la correa para el hombro en una posición cómoda para el uso.

⚠ ADVERTENCIA: En caso de emergencia, quítesela del hombro inmediatamente, sin importar cómo esté colocada la correa.

No debe utilizar la correa bandolera única y la correa doble de los hombros simultáneamente.

ES

Al usar la correa, ningún otro dispositivo debe interferir con la liberación y la retirada de la correa.

FUNCIONAMIENTO

⚠ ADVERTENCIA: Lleve siempre gafas de seguridad o gafas con pantallas de protección lateral, además de protección auditiva. De lo contrario, de la herramienta pueden salir objetos despedidos y alcanzar los ojos, provocando lesiones graves.

Recortar: hierba y malas hierbas alrededor de porches, vallas y terrazas.

Cortar: hierba difícil de alcanzar con un cortacésped normal.

INSTALAR/QUITAR LA BATERÍA

Utilice únicamente los modelos de baterías y cargadores de EGO indicados en la fig. A2.

Cargue totalmente la batería antes de usarla por primera vez.

Instalación

Alinee las nervaduras de la batería con las ranuras de montaje, e introduzca la batería presionándola hacia abajo hasta oír un «clic» (fig. G1).

Retirada

Pulse el botón de liberación de la batería y saque la batería tirando de ella (fig. G2).

SUJECIÓN DEL CORTABORDES DE HILO (Fig. H)

Para un funcionamiento mejor y más seguro, póngase la correa bandolera cruzada desde el hombro. Ajuste la longitud de la correa para el hombro y la ubicación en una posición cómoda para el uso: sostenga el cortabordes con ambas manos: una mano en la empuñadura trasera y la otra mano en la empuñadura delantera.

AVISO: El cabezal del cortabordes está paralelo al suelo a una distancia de corte adecuada, sin que el usuario tenga que inclinarse.

⚠ ADVERTENCIA: En caso de emergencia, quítese la correa del hombro inmediatamente, sin importar cómo

esté colocada.

PUESTA EN MARCHA/PARADA DEL CORTABORDES DE HILO (Fig. I)

Puesta en marcha

Mueva hacia delante la lengüeta de bloqueo y, a continuación, apriete el gatillo para la velocidad variable.

El gatillo ajusta la velocidad de forma continua. Cuanto más se levanta el gatillo, mayor es la velocidad.

I-1	Lengüeta de bloqueo	I-2	Gatillo para la velocidad variable
-----	---------------------	-----	------------------------------------

Parada

Suelte el gatillo para la velocidad variable.

FUNCIÓN DE AJUSTE DE VELOCIDAD (Fig. J)

El cortabordes de hilo tiene dos ajustes de velocidad. Presione el interruptor de 2 velocidades para cambiar la velocidad de corte entre baja y alta.

El indicador de velocidad mostrará el estado de la velocidad activa: una luz para baja velocidad y dos luces para alta velocidad. El rango de baja velocidad proporciona un mejor control del cortabordes y un mayor tiempo de funcionamiento por carga.

J-1	Indicador de velocidad	J-2	Interruptor de 2 velocidades
-----	------------------------	-----	------------------------------

USO DEL CORTABORDES DE HIERBA

Antes de cada uso, despeje la zona de corte. Quite todos los objetos como piedras, vidrios rotos, clavos, alambres, cables o cuerdas, ya que podrían salir despedidos por la acción de la herramienta o enredarse en el elemento de corte. Mantenga a los niños, las mascotas y otras personas fuera de la zona de trabajo. Mantenga a niños, terceros y mascotas a una distancia de seguridad mínima de 15 m de la zona donde se esté utilizando la herramienta, ya que existe riesgo de que salgan objetos despedidos debido a la acción de la herramienta. Se recomienda que cualquier persona presente en la zona de trabajo utilice protección ocular. Apague inmediatamente el motor o desactive el dispositivo de corte si se acerca alguna persona.

Antes de cada uso, examine la herramienta por si hubiera piezas dañadas o desgastadas.

Revise el cabezal del cortabordes, la protección, la correa para el hombro, la correa en bucle para el hombro y la empuñadura delantera. Reemplace las piezas que estén agrietadas, deformadas, dobladas o dañadas de alguna manera.

Con el tiempo, el filo de la cuchilla de recorte de hilo situada en la protección puede llegar a embotarse. Se recomienda afilarla con una lima a intervalos periódicos o sustituirla por otra nueva.

⚠ ADVERTENCIA: Utilice siempre guantes cuando instale o sustituya la protección, así como cuando afile o cambie la cuchilla de corte del hilo. Tenga en cuenta la ubicación de la cuchilla instalada en la protección, y protéjase las manos adecuadamente para evitar lesionarse.

Compruebe si hay alguna obstrucción en el cabezal del cortabordes

- Para evitar obstrucciones, mantenga limpio el cabezal del cortabordes. Retire los recortes de césped, las hojas, la suciedad y cualquier otro residuo acumulado antes y después de cada uso.
- Cuando se obstruya, pare el cortabordes con cabezal de hilo y quite la batería. A continuación, elimine la hierba que se haya enredado alrededor del eje del motor o del cabezal del cortabordes.

Limpie el cortabordes después de cada uso.

AJUSTE DE LA LONGITUD DEL HILO DE CORTE

El cabezal de alimentación Line-IQ del cortabordes está equipado con tecnología avanzada.

Si alguno de los extremos del hilo de corte se desgasta menos de 18 cm durante el recorte, el cabezal del cortabordes liberará hilo automáticamente y la hoja de corte del hilo cortará la parte sobrante del hilo de corte (fig. K).

AVISO: No es necesario tocar el cabezal de corte para liberar la línea de corte. Si siente un ligero temblor en el cabezal del cortabordes cuando corta la hierba, es debido a que se está liberando hilo de corte automáticamente.

⚠ ADVERTENCIA: No retire ni modifique el conjunto de la cuchilla de corte del hilo. Una longitud excesiva de hilo de corte hará que el motor se sobrecaliente y podría provocar lesiones graves.

SUSTITUCIÓN DEL HILO DE CORTE

AVISO: Utilice siempre el hilo de corte de nailon recomendado con un diámetro de 2,4 mm.

Si se utiliza otro hilo de corte distinto al especificado, la herramienta podría calentarse excesivamente y sufrir daños.

⚠ ADVERTENCIA: No utilice nunca hilo con refuerzo de metal, alambre, cuerda, etc. Podrían romperse y sus trozos convertirse en proyectiles peligrosos.

El cortabordes de hilo está equipado con un avanzado sistema POWERLOAD™. El hilo de corte se puede enrollar en la bobina con solo pulsar un botón. La carga de un carrete completo generalmente se puede realizar en 12 segundos. **Evite el uso repetido del sistema de bobinado en rápida sucesión, para reducir la posibilidad de que se dañe el motor.**

1. Quite la batería recargable.
2. Corte un pedazo de hilo de 4 m de longitud.
3. Inserte el hilo en el ojal y empuje el hilo hasta que el extremo salga por el ojal opuesto (fig. L1).

L1-1	Hilo de corte	L1-2	Anilla
------	---------------	------	--------

AVISO: No es necesario alinear los ojales para insertar la línea de corte. Si no se puede insertar el hilo en el ojal, instale la batería en el cortabordes y, a continuación, pulse brevemente el botón POWERLOAD para restablecer el mecanismo de bobinado.

4. Quite la batería si la ha instalado en el cortabordes en el paso 3.
5. Tire del hilo desde el otro lado, hasta que aparezca la misma longitud de hilo por ambos lados del cabezal del cortabordes (fig. L2).
6. Instale la batería en el cortabordes de hilo.
7. Mantenga pulsado el botón POWERLOAD para poner en marcha el motor de bobinado de hilo. El hilo se enrollará en el cabezal del cortabordes continuamente.
8. Vigile atentamente la longitud de hilo restante. Prepárese para soltar el botón en cuanto queden aproximadamente 22 cm de hilo a cada lado. Pulse brevemente el botón de carga de hilo para ajustar la longitud hasta que se vean 18 cm de hilo a cada lado (fig. L3).

AVISO: En caso de que el hilo se introduzca accidentalmente en el cabezal del cortabordes, abra el cabezal y saque el hilo de corte de la bobina. Siga el apartado «**RECARGAR EL HILO DE CORTE**» en este manual para recargar el hilo.

RECARGAR EL HILO DE CORTE

AVISO: Cuando el hilo de corte se atasca en el cabezal del cortabordes, deberá quitar el hilo de corte restante del cabezal del cortabordes y seguir los pasos a

continuación para volver a cargar el hilo.

1. Quite la batería recargable.
2. Presione las lengüetas de liberación situadas en el cabezal del cortabordes y retire el conjunto de la cubierta inferior del cabezal del cortabordes tirando de él hacia fuera (fig. M1 y M2).

M1-1	Lengüeta de liberación	M1-2	Conjunto de la cubierta inferior
------	------------------------	------	----------------------------------

3. Retire la línea de corte del cabezal de corte.
4. Sujutando el cortabordes con una mano, use la otra mano para agarrar el conjunto de la cubierta inferior y alinear las ranuras en el conjunto de la cubierta inferior con las lengüetas de liberación. Presione el conjunto de la cubierta inferior hasta que enganche en su lugar y se oiga un «clac» (fig. M3).

M3-1	Lengüeta de liberación	M3-2	Ranura
------	------------------------	------	--------

5. Siga las instrucciones del apartado «SUSTITUCIÓN DEL HILO DE CORTE» para volver a cargar el hilo de corte.

SUSTITUCIÓN DEL CABEZAL DEL CORTABORDES

⚠ ADVERTENCIA: Si el cabezal se suelta tras haberlo fijado en su sitio, sustitúyalo inmediatamente. Nunca utilice un cortabordes con un accesorio de corte suelto. Sustituya inmediatamente cualquier cabezal de corte que esté agrietado, dañado o desgastado, incluso si el daño observado parece limitarse a grietas superficiales. Un elemento de corte en esas condiciones podría romperse en pedazos al funcionar a altas revoluciones y provocar lesiones graves.

Familiarícese con el cabezal del cortabordes (fig. N1)

N1-1	Cubierta inferior	N1-2	Tuerca
N1-3	Carrete	N1-4	Casquillo

Para quitar el cabezal del cortabordes

1. Quite la batería recargable.
2. Presione las lengüetas de liberación situadas en el cabezal del cortabordes y retire la cubierta inferior del cabezal del cortabordes tirando de ella hacia fuera (fig. M1 y M2).
3. Retire el hilo de corte del cabezal de corte (Fig. N2).
4. Utilice guantes. Sujete con una mano el conjunto de la bobina para estabilizarlo y, con la otra mano,

sujete una llave de impacto (no incluida) para aflojar la tuerca en sentido antihorario (fig. N3).

N3-1	Tuerca	N3-2	Llave de impacto (no incluida)
------	--------	------	--------------------------------

5. Quite el conjunto del carrete y el casquillo del eje del motor. Guarde el casquillo para su posterior montaje.
6. Sustitúyalo por un nuevo cabezal del cortabordes y móntelo en los pasos siguientes.

Para instalar el nuevo cabezal de corte

1. Monte el casquillo en el eje del motor e instale en su lugar el conjunto del carrete. Utilice una llave de impacto para apretar la tuerca.
2. Monte el conjunto de la cubierta inferior (consulte la fig. M3).
3. Recargar el hilo de corte.
4. Ponga en marcha la herramienta para comprobar si el cortabordes de hilo funciona normalmente. De lo contrario, vuelva a montarlo como se ha descrito arriba.

MANTENIMIENTO

⚠ ADVERTENCIA: Cuando repare la herramienta, utilice solo piezas idénticas a las originales. La utilización de otras piezas podría suponer un peligro o causar daños en el producto. Para garantizar la seguridad y fiabilidad de la herramienta, las reparaciones debe realizarlas únicamente un técnico cualificado.

⚠ ADVERTENCIA: Para evitar lesiones graves, quite la batería de la herramienta antes de realizar cualquier reparación, limpieza o retirada de material de la unidad.

⚠ PRECAUCIÓN: Cualquier obstrucción de los orificios de ventilación impedirá la correcta circulación de aire por el interior de la carcasa del motor, pudiendo hacer que este se sobrecaliente o sufra daños.

LIMPIEZA DE LA UNIDAD

- Limpie la herramienta utilizando un paño húmedo y detergente suave. No deje nunca que entre líquido en la herramienta ni sumerja ninguna parte de la herramienta en ningún líquido.
- No utilice detergentes fuertes en la carcasa de plástico o la empuñadura. Algunos aceites aromáticos, como aquellos a base de limón o pino, y disolventes como el

queroseno, podrían dañar estas piezas. La humedad también puede provocar descargas eléctricas. Utilice un paño suave y seco para eliminar cualquier resto de humedad.

- Utilice un cepillo pequeño o el accesorio tipo cepillo de una aspiradora para limpiar los orificios de ventilación de la carcasa trasera.
- Mantenga los orificios de ventilación libres de obstrucciones.

ES

AFILAR LA CUCHILLA DE CORTE DEL HILO

⚠ ADVERTENCIA: Proteja siempre sus manos utilizando guantes gruesos cuando realice el mantenimiento de la cuchilla de recorte del hilo.

1. Afloje los dos tornillos y retire la hoja de corte de línea de la protección (Fig. 0).

0-1	Tornillos	0-2	Cuchilla de recorte del hilo
-----	-----------	-----	------------------------------

2. Sujete la cuchilla en un tornillo de banco.
3. Lime con cuidado los filos de la cuchilla utilizando una lima de dientes finos o piedra de afilar, teniendo cuidado de mantener el ángulo original del filo.
4. Vuelva a colocar la cuchilla en la protección y sujétela en su lugar con los dos tornillos.

ALMACENAMIENTO DE LA HERRAMIENTA

- Quite la batería del cortabordes.
- Limpie minuciosamente la herramienta antes de guardarla.
- Almacene la herramienta en un lugar seco y bien ventilado, ya sea cerrado o a una altura suficiente que impida que los niños puedan alcanzarla. No la guarde encima ni cerca de fertilizantes, gasolina u otros productos químicos.

Protección del medio ambiente



¡No elimine aparatos eléctricos, baterías usadas ni cargadores de baterías junto con los desperdicios domésticos! Lleve este producto a un punto de reciclaje autorizado y deposítelo por separado según corresponda. Las herramientas eléctricas se deben llevar a un punto de reciclaje con fin de proteger el medio ambiente.

SOLUCIÓN DE PROBLEMAS

ES

PROBLEMA	CAUSA	SOLUCIÓN
El cortabordes con cabezal de hilo no se pone en marcha.	<ul style="list-style-type: none"> ■ La batería no está conectada correctamente al cortabordes. ■ No hay contacto eléctrico entre la batería y el cortasetos. ■ La batería está agotada. ■ El interruptor de bloqueo no se mueve hacia adelante antes de presionar el gatillo de velocidad variable. ■ Hay una acumulación de hierba en el eje del motor o el cabezal del cortabordes. 	<ul style="list-style-type: none"> ■ Conecte correctamente la batería al cortabordes. ■ Quite la batería, compruebe los contactos eléctricos y vuelva a instalarla. ■ Cargue la batería. ■ Mueva hacia delante la lengüeta de bloqueo y, a continuación, apriete el gatillo para la velocidad variable. ■ Quite la hierba del eje del motor y del cabezal del cortabordes.
El cortabordes con cabezal de hilo se para durante el uso.	<ul style="list-style-type: none"> ■ La protección no está instalada en el cortabordes, haciendo que el hilo de corte quede extraído a una longitud excesiva y el motor se sobrecargue. ■ Se está utilizando un hilo de corte demasiado grueso. ■ La batería o el cortabordes de hilo están demasiado calientes. ■ La batería se ha desconectado de la herramienta. ■ La batería está agotada. 	<ul style="list-style-type: none"> ■ Quite la batería e instale la protección en el cortabordes. ■ Utilice hilo de corte de nailon recomendado con un diámetro de 2,4 mm. ■ Enfíe la batería o el cortabordes de hilo. ■ Vuelva a instalar la batería. ■ Cargue la batería.

PROBLEMA	CAUSA	SOLUCIÓN
El hilo de corte no se extrae automáticamente del cabezal del cortabordes.	<ul style="list-style-type: none"> ■ Hay una acumulación de hierba en el eje del motor o el cabezal del cortabordes. ■ No queda suficiente hilo de corte en el carrete o el hilo se rompe de la anilla. ■ El hilo de corte está enredado. ■ El hilo es demasiado corto. ■ Se está utilizando un hilo de corte demasiado grueso. ■ Mal funcionamiento del cabezal del cortabordes. 	<ul style="list-style-type: none"> ■ Apague el cortabordes, quite la batería y limpie el eje del motor y cabezal del cortabordes. ■ Quite la batería y sustituya el hilo de corte. Consulte el apartado «SUSTITUCIÓN DEL HILO DE CORTE» en este manual. ■ Quite la batería, retire el hilo del cabezal del cortabordes y vuelva a enrollarlo. Consulte el apartado «RECARGAR EL HILO DE CORTE» en este manual. ■ Quite la batería y tire manualmente de los extremos del hilo de corte mientras presiona y suelta alternativamente el cabezal del cortabordes. ■ Utilice hilo de corte de nailon recomendado con un diámetro de 2,4 mm. ■ Llame al Servicio de atención al cliente de EGO para obtener ayuda.
El cabezal del cortabordes continúa liberando hilo automáticamente.	<ul style="list-style-type: none"> ■ Se utiliza una línea de corte ligera. 	<ul style="list-style-type: none"> ■ Utilice hilo de corte de nailon recomendado con un diámetro de 2,4 mm.
Hay hierba enredada alrededor del cabezal y de la carcasa del motor.	<ul style="list-style-type: none"> ■ Está cortando a nivel del suelo hierba demasiado alta. 	<ul style="list-style-type: none"> ■ Corte la hierba alta de arriba hacia abajo, cortando un máximo de 20 cm en cada pasada para evitar que se enrede.
La cuchilla no corta el hilo.	<ul style="list-style-type: none"> ■ El filo de la cuchilla de recorte de hilo situada en la protección está embotado. 	<ul style="list-style-type: none"> ■ Siga las instrucciones para afilar la cuchilla de recorte del hilo utilizando una lima, o bien sustitúyala por una cuchilla nueva.
Grietas en el cabezal de corte	<ul style="list-style-type: none"> ■ El cabezal del cortabordes está desgastado. 	<ul style="list-style-type: none"> ■ Sustituya inmediatamente el cabezal del cortabordes. Consulte el apartado «SUSTITUCIÓN DEL CABEZAL DEL CORTABORDES» en este manual.

PROBLEMA	CAUSA	SOLUCIÓN
<p>El hilo de corte no se puede enrollar correctamente en el cabezal del cortabordes.</p>	<ul style="list-style-type: none"> ■ Se está utilizando un hilo de corte incorrecto. ■ Se han acumulado restos de hierba o suciedad en el cabezal del cortabordes y se ha bloqueado el movimiento de la bobina de hilo. ■ El motor se ha sobrecalentado debido al funcionamiento del sistema de bobinado de hilo repetidamente. ■ Baja capacidad de la batería ■ El hilo no está enrollado en el conjunto del carrete. ■ El cabezal de corte está defectuoso. 	<ul style="list-style-type: none"> ■ Le recomendamos que utilice hilo de corte de nailon original de EGO. Si utiliza hilo de nailon EGO y el problema sigue produciéndose, llame al servicio de atención al cliente de EGO para pedir consejo. ■ Quite la batería, abra el cabezal del cortabordes y límpielo a fondo. ■ Deje que el cortabordes de hilo funcione sin carga durante unos minutos para enfriar el motor y, a continuación, intente volver a cargar el hilo. ■ Cargue la batería ■ Saque el hilo y vuelva a insertarlo. ■ Llame al Servicio de atención al cliente de EGO para obtener ayuda.
<p>El hilo de corte no se puede pasar a través del cabezal del cortabordes cuando se inserta el hilo.</p>	<ul style="list-style-type: none"> ■ El hilo de corte está partido o doblado en el extremo. 	<ul style="list-style-type: none"> ■ Corte el extremo desgastado del hilo y vuelva a insertarlo.

GARANTÍA

POLÍTICA DE GARANTÍA DE EGO

Visite la página web egopowerplus.eu para conocer los términos y condiciones completos de la política de garantía de EGO.

LEIA TODAS AS INSTRUÇÕES!



LEIA O MANUAL DE UTILIZAÇÃO



Alerta de segurança



Use proteção ocular: Use sempre óculos de segurança com proteção lateral e, se necessário, uma proteção completa do rosto, quando utilizar este produto.



Use proteção auditiva: Use sempre proteção auditiva ao utilizar este produto.



Os produtos elétricos residuais não deverão ser eliminados juntamente com o lixo doméstico comum. Entregue-os num centro de reciclagem autorizado.



Mantenha uma distância segura: A distância entre a máquina e terceiros deve ser de, pelo menos, 15 m.



Largura de corte - A largura máx. de corte da roçadora de fio



Desligue a bateria da roçadora antes de efetuar trabalhos de limpeza ou manu-tenção.



Este produto encontra-se em conformidade com a legislação no Reino Unido.

A Amperes

cm Centímetro

≡ Corrente direta

SÍMBOLO DE SEGURANÇA

O funcionamento de qualquer ferramenta elétrica pode dar origem ao ressalto de quaisquer objetos estranhos que podem atingir os olhos, podendo dar origem a sérias lesões oculares. Antes de começar a utilizar a ferramenta elétrica, utilize sempre óculos de segurança com proteções laterais e uma proteção completa para a cara, quando necessário. Recomendamos Máscaras de Segurança com Visão Panorâmica por cima de óculos, ou óculos de segurança padrão com proteção lateral.



De modo a reduzir os riscos de ferimentos, o utilizador deve ler o manual do utilizador.

IPX4 Proteção contra salpicos



Nível de potência do som garantido.



Cuidado com os objetos atirados: Objetos podem ressaltar e causar ferimentos ou danos materiais. Certifique-se de que outras pessoas e animais permanecem afastados da roçadora durante a utilização.



Não use lâminas de metal na roçadora.



Diâmetro do fio - O diâmetro do fio de corte de nylon



Este produto encontra-se em conformidade com as diretivas CE aplicáveis.

V Voltagem

mm Milímetro

kg Quilograma

... /min Por minuto

CARACTERÍSTICAS TÉCNICAS

PT

Voltagem	56 V $\overline{\text{---}}$	
Velocidade sem carga	Raio de velocidade baixa: 3500-4800 min^{-1}	
	Raio de velocidade alta: 4000-5500 min^{-1}	
Mecanismo do fio de corte	ALIMENTAÇÃO LINE-IQ	
Tipo de fio de corte	Fio torcido de nylon de 2,4 mm	
Largura de corte	40 cm	
Temperatura de funcionamento recomendada	0°C - 40°C	
Temperatura de armazenamento recomendada	-20°C - 70°C	
Peso (sem a bateria)	3,5 kg	
Nível de potência do som medido L_{WA}	90 dB(A) K=2,5 dB(A)	
Nível da pressão do som no ouvido do operador L_{PA}	77 dB(A) K=3 dB(A)	
Nível de potência do som garantido L_{WA} (medido de acordo com a 2000/14/CE)	92 dB(A)	
Avaliação da vibração a_h	Pega dianteira	3,9 m/s^2 K=1,5 m/s^2
	Pega traseira	2,7 m/s^2 K=1,5 m/s^2

- O valor total declarado da vibração foi medido de acordo com um método de teste padrão e pode ser usado para comparar duas ferramentas.
- O valor total declarado da vibração também pode ser usado numa avaliação preliminar da exposição.

AVISO: A emissão de vibrações durante a utilização da ferramenta elétrica pode diferir do valor declarado em que a ferramenta é usada. De modo a proteger o utilizador, este deverá usar luvas e proteção auditiva nas condições atuais de utilização.

DESCRIÇÃO

CONHEÇA A SUA ROÇADORA (Imagem A1)

1. Gatilho da velocidade variável
2. Pega traseira
3. Trinco de fixação
4. Interruptor de 2 velocidades

5. Indicador da velocidade
6. Manga de fixação da altura
7. Pega dianteira de ajuste rápido
8. Alavanca de libertação rápida
9. Dobradiça e parafuso de fixação
10. Botão POWERLOAD™
11. Cabeça da roçadora (com alimentação LINE-IQ)
12. Fio de corte
13. Aba de libertação
14. Lâmina de corte da linha
15. Proteção
16. Mecanismo de ejeção
17. Trinco
18. Botão de libertação da bateria
19. Chave sextavada
20. Arco da alça para os ombros
21. Alça para os ombros

LISTA DE PEÇAS (IMAGEM A1)

MONTAGEM

AVISO: Se houver peças danificadas ou em falta, não utilize o produto até ter substituído essas peças. Utilizar este produto com peças danificadas ou em falta pode dar origem a ferimentos sérios.

AVISO: Não tente modificar este produto nem criar acessórios que não sejam recomendados para utilizar com esta roçadora de fio. Qualquer alteração ou modificação é considerada uma má utilização e pode dar origem a perigos, que podem levar a ferimentos sérios.

AVISO: Para evitar um arranque acidental que possa causar ferimentos sérios, retire sempre a bateria da máquina durante a montagem das peças.

DESDOBRAR O EIXO

AVISO: De modo a evitar ficar com as mãos ou dedos presos, não segure o eixo pela junta.

AVISO: Não tente ligar a roçadora até que o eixo esteja fixado.

Desdobre o eixo gentilmente, certificando-se de que o fio no interior do eixo fica fixado com o parafuso, usando a chave fornecida (Imagem B1 e B2).

MONTAR A PROTEÇÃO

⚠️ AVISO: Use sempre luvas quando montar ou substituir a proteção. Tenha cuidado com a lâmina na proteção e proteja as suas mãos de lesões devido à lâmina.

⚠️ AVISO: Nunca utilize a máquina sem a proteção bem colocada. A proteção tem de estar sempre na máquina para proteger o utilizador. Quando a proteção estiver fixada, nunca tente retirar nem ajustar a proteção. Se for necessário substituí-la, isso deverá ser efetuado por um técnico de reparação qualificado!

Posicione a sua roçadora de modo a que a cabeça da roçadora fique virada para cima (Imagem C1). Alinhe os orifícios de fixação da proteção com os orifícios de montagem e, depois, fixe a proteção na base do eixo com dois parafusos (Imagem C2).

AVISO: Certifique-se de que a proteção é fixada de acordo com a Imagem C1 e C2. Qualquer fixação inversa dará origem a grandes perigos!

MONTAR E AJUSTAR A PEGA DIANTEIRA

1. Desaperte e retire a alavanca de libertação rápida e a porca de asas da pega dianteira (Imagem D1).

D1-1	Pega dianteira	D1-2	Bloco de fixação
D1-3	Porca de asas	D1-4	Alavanca de libertação rápida

2. Pressione a pega dianteira para o eixo na zona de fixação entre a manga de fixação da altura e a dobradiça (Imagem D2).
3. Insira o bloco de fixação na ranhura da pega (Imagem D3).
4. Monte a alavanca de libertação rápida e pré-aperte a porca de asas. Certifique-se de que a pega dianteira fica para cima, virada para o topo da pega traseira (Imagem D4).
5. Puxe a alavanca de libertação rápida para cima para mover/rodar a pega dianteira para uma posição de funcionamento confortável, e depois fixe a alavanca de libertação rápida (Imagem D5).

AVISO: A pega dianteira deverá ser posicionada no eixo apenas na zona de fixação.

⚠️ AVISO: A ferramenta não pode ser usada sem a pega dianteira devidamente fixada.

AJUSTAR A ALTURA DA ROÇADORA

Se o comprimento do eixo não for o adequado para o

funcionamento, pode ajustar o comprimento do eixo através da manga de fixação da altura.

1. Retire a bateria da roçadora.
2. Para ajustar a altura da roçadora (comprimento do eixo), abra a manga de fixação da altura e faça deslizar o eixo para cima ou para baixo para a altura desejada, fixando-o no respetivo lugar pressionando a manga de fixação da altura (Imagem E).

E-1	Manga de fixação da altura
-----	----------------------------

AVISO: A pega dianteira pode ter de ser reposicionada após ter alterado a altura da roçadora.

FIXAR A ALÇA PARA OS OMBROS

Para uma operação mais segura e melhor, coloque a alça sobre um dos seus ombros e ao longo das costas.

1. Desaperte o parafuso e a porca sextavada do arco da alça para os ombros (Imagem F1).

F1-1	Parafuso	F1-2	Porca sextavada
F1-3	Arco da alça para os ombros		

2. Coloque o arco da alça para os ombros numa posição de utilização confortável dentro da zona de instalação, e depois fixe apertando o parafuso e porca sextavada.
3. Pressione o mosquetão da alça para os ombros para o abrir, e fixe a alça para os ombros no orifício no arco da alça (Imagem F2).
4. Ajuste o comprimento da alça para os ombros numa posição de funcionamento confortável.

⚠️ AVISO: Quando ocorre uma emergência, retire-a imediatamente do seu ombro, não importa o modo como a alça se encontra.

Não deverá usar a alça simples para o ombro e a alça dupla para os ombros em simultâneo.

Quando usar a alça, outros acessórios não deverão interferir com a libertação e remoção da alça.

FUNCIONAMENTO

⚠️ AVISO: Use sempre óculos de segurança com proteção lateral, juntamente com proteção auditiva. Se não o fizer, pode apanhar com objetos nos olhos, dando origem a possíveis ferimentos graves.

Aparar: relva e ervas em redor de varandas, vedações e cobertas.

Cortar: relva difícil de alcançar usando uma máquina de cortar relva normal.

FIXAR/RETIRAR A BATERIA

Utilize apenas com as baterias e carregadores da EGO listados na Imagem A2.

Carregue por completo antes da primeira utilização.

Para fixar

Alinhe as abas da bateria com as ranhuras de fixação e pressione a bateria para baixo até ouvir um “clique” (Imagem G1).

Para retirar

Prima o botão de libertação da bateria e puxe a bateria para fora (Imagem G2).

SEGURAR A ROÇADORA (Imagem H)

Por razões de segurança e para um melhor funcionamento, coloque a alça para os ombros. Ajuste o comprimento da alça para os ombros numa posição de funcionamento confortável. Segure a roçadora com ambas as mãos, com uma mão na pega traseira e a outra na pega dianteira.

AVISO: A cabeça da roçadora deverá estar paralela ao chão a uma distância de corte adequada sem que o operador tenha de se dobrar.

AVISO: Quando ocorre uma emergência, retire imediatamente a alça do seu ombro, não importa o modo como a alça se encontra.

LIGAR/DESLIGAR A ROÇADORA (Imagem I)

Para ligar

Mova o trinco de fixação para a frente e pressione o gatilho da velocidade variável.

O gatilho ajusta a velocidade continuamente. Quanto mais pressionar o gatilho, maior será a velocidade.

I-1	Trinco de fixação	I-2	Gatilho da velocidade variável
-----	-------------------	-----	--------------------------------

Parar

Liberte o gatilho da velocidade variável.

FUNÇÃO DE AJUSTE DA VELOCIDADE (Imagem J)

A roçadora tem duas velocidades. Prima o interruptor de 2 velocidades para alterar a velocidade de corte entre baixa e alta.

O indicador da velocidade apresenta o estado ativo da velocidade: uma luz para baixa velocidade e duas luzes para alta velocidade. A baixa velocidade fornece um melhor controlo da roçadora e maior tempo de funcionamento.

J-1	Indicador da velocidade	J-2	Interruptor de 2 velocidades
-----	-------------------------	-----	------------------------------

USAR A ROÇADORA

Desobstrua a área a ser cortada antes de cada utilização. Retire todos os objetos, como pedras, vidro partido, pregos, arames ou fios que possam ser atirados ou ficar presos no acessório de corte. Afaste as crianças, terceiros e animais. No mínimo, mantenha as crianças, terceiros e animais a um raio de 15 metros. Poderá continuar a haver um risco para as pessoas devido aos objetos que possam ser atirados. As outras pessoas deverão ser encorajadas a usar proteção ocular. Se alguém se aproximar, desligue imediatamente o motor e o acessório de corte.

Antes de cada utilização, verifique se existem peças gastas ou danificadas.

Verifique a cabeça da roçadora, proteção, alça para os ombros, arco da alça para os ombros e pega dianteira. Substitua quaisquer peças rachadas, torcidas, deformadas ou danificadas de algum modo.

A lâmina para cortar o fio na extremidade da proteção pode deixar de ficar afiada com o passar do tempo. Recomendamos que afie periodicamente com uma lima ou que a substitua por uma lâmina nova.

AVISO: Use sempre luvas quando montar ou substituir a proteção ou afiar ou substituir a lâmina de corte do fio. Tenha em conta a localização da lâmina na proteção e proteja a sua mão contra ferimentos.

Verificar se existem bloqueios na cabeça da roçadora

- Para evitar bloqueios, mantenha a cabeça da roçadora limpa. Retire restos de relva, folhas, sujidade e outros detritos acumulados antes e após cada utilização.
- Quando ocorrer um bloqueio, pare a roçadora e retire a bateria. Depois, retire qualquer erva que possa ter ficado presa no eixo do motor ou cabeça da roçadora.

Após cada utilização, limpe a roçadora.

AJUSTAR O COMPRIMENTO DO FIO DE CORTE

A cabeça da roçadora com alimentação Line-IQ vem equipada com uma tecnologia avançada.

Se alguma das extremidades do fio de corte tiver menos de 18 cm durante o corte, a cabeça da roçadora liberta

automaticamente fio de corte, e a parte extra do fio de corte será cortada pela lâmina de corte do fio (Imagem K).

AVISO: Não precisa de bater com a cabeça da roçadora para libertar fio de corte. Se sentir um ligeiro tremor da cabeça da roçadora quando cortar a erva, significa que o fio de corte está a ser libertado automaticamente.

AVISO: Não retire nem altere o conjunto da lâmina de corte da linha. Um fio com um comprimento excessivo faz o motor sobreaquecer e pode dar origem a ferimentos sérios.

SUBSTITUIÇÃO DO FIO

OBSERVAÇÃO: Use sempre o fio de corte de nylon recomendado, com um diâmetro de 2,4 mm.

Usar outro fio para além do especificado pode fazer com que a ferramenta sobreaqueça ou fique danificada.

AVISO: Nunca use fio de metal reforçado, arame ou corda, etc. Estes podem partir e tornar-se projéteis perigosos.

A roçadora vem equipada com um sistema avançado POWERLOAD™. O fio de corte pode ser enrolado na bobina premindo simplesmente um botão. Carregar uma bobina cheia habitualmente leva 12 segundos. **Evite um funcionamento repetido do sistema de enrolar em rápida sucessão, para reduzir a possibilidade de danos no motor.**

1. Retire a bateria.
2. Corte um pedaço de fio de corte com cerca de 4 m de comprimento.
3. Insira o fio no ilhó e pressione o fio até que a extremidade saia no ilhó oposto (Imagem L1).

L1-1	Fio de corte	L1-2	Ilhó
------	--------------	------	------

OBSERVAÇÃO: Não precisa de alinhar os ilhós para inserir o fio de corte. Se não conseguir inserir o fio num dos ilhós, fixe a bateria na roçadora e prima brevemente o botão POWERLOAD para reiniciar o mecanismo de rebobinar.

4. Retire a bateria, caso esta tenha sido montada na roçadora no passo 3.
5. Puxe o fio a partir do outro lado, até que apareçam quantidades iguais de fio em ambos os lados da cabeça da roçadora (Imagem L2).
6. Instale a bateria na roçadora.

7. Prima e mantenha premido o botão POWERLOAD para iniciar o motor de enrolar o fio. O fio deverá ser enrolado continuamente na cabeça da roçadora.
8. Observe cuidadosamente o comprimento restante do fio. Prepare-se para deixar de premir o botão mal haja cerca de 22 cm de fio em cada lado. Prima brevemente o botão de carregamento do fio para ajustar o comprimento, até que haja 18 cm de fio de cada lado (Imagem L3).

OBSERVAÇÃO: Caso o fio seja puxado para dentro da cabeça da roçadora por acidente, abra a cabeça e puxe o fio de corte para fora da bobina. Siga a secção “RECARREGAR O FIO DE CORTE” neste manual para recarregar o fio.

RECARREGAR O FIO DE CORTE

OBSERVAÇÃO: Quando o fio de corte ficar preso na cabeça da roçadora, tem de retirar o fio de corte restante da cabeça da roçadora e seguir os passos apresentados abaixo para recarregar o fio.

1. Retire a bateria.
2. Prima as abas de libertação na cabeça da roçadora e retire o conjunto da cobertura inferior da cabeça da roçadora puxando a direita (Imagem M1 e M2).

M1-1	Aba de libertação	M1-2	Conjunto da cobertura inferior
------	-------------------	------	--------------------------------

3. Retire o fio de corte da cabeça da roçadora.
4. Com uma mão a segurar a roçadora, use a outra mão para segurar o conjunto da cobertura inferior e alinhar as ranhuras no conjunto da cobertura inferior com as abas de libertação. Pressione o conjunto da cobertura inferior até encaixar no devido lugar. Ouvirá um clique distinto (Imagem M3).

M3-1	Aba de libertação	M3-2	Ranhura
------	-------------------	------	---------

5. Siga as instruções em “SUBSTITUIÇÃO DO FIO” para recarregar o fio de corte.

SUBSTITUIÇÃO DA CABEÇA DA ROÇADORA

AVISO: Se a cabeça se soltar após fixá-la, substitua-a imediatamente. Nunca use uma roçadora com um acessório de corte solto. Substitua imediatamente uma cabeça de corte rachada, danificada ou gasta, mesmo que o dano esteja limitado a rachas superficiais. Tais acessórios podem despedaçar-se a alta velocidade e causar ferimentos sérios.

Conheça a cabeça da roçadora (Imagem N1)

N1-1	Cobertura inferior	N1-2	Porca
N1-3	Conjunto da bobina	N1-4	Casquilho

PT

Retirar a cabeça da roçadora

1. Retire a bateria.
2. Prima as abas de libertação na cabeça da roçadora e retire a cobertura inferior da cabeça da roçadora puxando a direita (Imagem M1 e M2).
3. Retire o fio de corte da cabeça da roçadora (Imagem N2).
4. Use luvas. Com uma mão, segure o conjunto da bobina para o estabilizar e, com a outra, segure uma chave de impacto (não fornecida) para desapertar a porca no sentido inverso ao dos ponteiros do relógio (Imagem N3).

N3-1	Porca	N3-2	Chave de impacto (não fornecida)
------	-------	------	----------------------------------

5. Retire o conjunto da bobina e casquilho do eixo do motor. Guarde o casquilho para montar mais tarde.
6. Substitua por uma nova cabeça da roçadora e monte seguindo os passos a seguir.

Instalar a nova cabeça da roçadora

1. Monte o casquilho no eixo do motor e monte o conjunto da bobina no respetivo lugar. Use uma chave de impacto para apertar a porca.
2. Monte a conjunto da cobertura inferior (consulte a Imagem M3).
3. Recarregar a linha de corte.
4. Ligue a ferramenta para ver se a roçadora funciona normalmente. Se não for o caso, volte a montar conforme descrito anteriormente.

MANUTENÇÃO

AVISO: Quando fizer reparações, utilize apenas peças de substituição idênticas. A utilização de outras peças pode dar origem a perigos ou danos no produto. Para assegurar a segurança e bom funcionamento, todas as reparações deverão ser efetuadas por um técnico de reparação qualificado.

AVISO: Para evitar ferimentos sérios, retire a bateria da ferramenta antes da reparação, limpeza, mudança de acessórios ou remoção de material da unidade.

CUIDADO: As obstruções nas aberturas de ventilação impedem que o ar flua para a estrutura do motor, dando origem a um sobreaquecimento ou danos no motor.

LIMPEZA DA UNIDADE

- Limpe a unidade com um pano ligeiramente embebido em água e um detergente neutro. Nunca permita que entre líquido no aparelho e nunca coloque qualquer parte do aparelho dentro de qualquer líquido.
- Não utilize detergentes fortes na estrutura de plástico ou na pega. Estes podem ser danificados por determinados óleos aromáticos, como pinho e limão e por solventes como querosene. A humidade também pode causar um perigo de choque. Retire qualquer vestígio de humidade com um pano suave e seco.
- Use uma pequena escova ou a descarga de ar de uma pequena escova aspiradora para limpar as entradas de ar na estrutura traseira.
- Mantenha a área de trabalho livre de obstruções.

AFIAR A LÂMINA DE CORTE DO FIO

AVISO: Proteja sempre as suas mãos com luvas resistentes quando efetuar qualquer trabalho de manutenção na lâmina de corte do fio.

1. Desaperte os dois parafusos e retire a lâmina de corte do fio da proteção (Imagem O).

0-1	Parafusos	0-2	Lâmina de corte do fio
-----	-----------	-----	------------------------

2. Fixe a lâmina num torno.
3. Lime cuidadosamente as extremidades de corte da lâmina com uma lima para dentes finos, ou pedra de afiar, mantendo o ângulo original da extremidade de corte.
4. Volte a colocar a lâmina na proteção e fixe no respetivo lugar com os dois parafusos.

GUARDAR A UNIDADE

- Retire a bateria da roçadora.
- Limpe bem a ferramenta antes de a guardar.
- Armazene a unidade num local seco, bem ventilado, trancado ou elevado, fora do alcance das crianças. Não armazene a unidade em cima ou perto de fertilizantes, gasolina ou outros químicos.

Proteja o ambiente



Não elimine equipamento elétrico, bateria gasta nem carregador juntamente com o lixo doméstico comum! Leve este produto a um centro de reciclagem autorizado para que possa haver uma separação das peças. As ferramentas elétricas têm de ser devolvidas em instalações de reciclagem ambientalmente compatíveis.

PT

RESOLUÇÃO DE PROBLEMAS

PT

PROBLEMA	CAUSA	SOLUÇÃO
A roçadora não pega.	<ul style="list-style-type: none"> ■ A bateria não foi colocada na roçadora de fio. ■ Não existe contacto elétrico entre a roçadora e a bateria. ■ A bateria está gasta. ■ O interruptor de desbloquear não é movido para a frente antes de pressionar o gatilho da velocidade variável. ■ O eixo do motor ou a cabeça da roçadora está cheia de erva. 	<ul style="list-style-type: none"> ■ Fixe a bateria na roçadora. ■ Retire a bateria, verifique os contactos e volte a instalar a bateria. ■ Carregue a bateria. ■ Mova o trinco de fixação para a frente e pressione o gatilho da velocidade variável. ■ Retire a erva do eixo do motor e da cabeça da roçadora.
A roçadora pára durante o corte.	<ul style="list-style-type: none"> ■ A proteção não está montada na roçadora, fazendo com que haja um fio excessivamente comprido e o sobreaquecimento do motor. ■ Está a usar um fio de corte muito pesado. ■ A bateria ou a roçadora estão muito quentes. ■ A bateria foi retirada da ferramenta. ■ A bateria está gasta. 	<ul style="list-style-type: none"> ■ Retire a bateria e monte a proteção na roçadora. ■ Use o fio de corte de nylon recomendado com um diâmetro de 2,4 mm. ■ Deixe a bateria ou a roçadora arrefecerem. ■ Volte a colocar a bateria. ■ Carregue a bateria.
A cabeça da roçadora não faz o fio avançar.	<ul style="list-style-type: none"> ■ O eixo do motor ou a cabeça da roçadora está cheia de erva. ■ Não há fio suficiente na bobina, ou o fio parte-se no ilhó. ■ O fio está preso. ■ O fio é demasiado curto. ■ Está a usar um fio de corte muito pesado. ■ Mau funcionamento da cabeça da roçadora. 	<ul style="list-style-type: none"> ■ Pare a roçadora, retire a bateria e retire a relva do eixo do motor e da cabeça da roçadora. ■ Retire a bateria e substitua o fio de corte. Siga a secção “SUBSTITUIÇÃO DO FIO” neste manual. ■ Retire a bateria, retire o fio da cabeça da roçadora e enrole. Siga a secção “RECARREGAR O FIO DE CORTE” neste manual. ■ Retire a bateria e puxe os fios enquanto pressiona alternadamente e liberta a cabeça da roçadora. ■ Use o fio de corte de nylon recomendado com um diâmetro de 2,4 mm. ■ Contacte o serviço de apoio ao cliente da EGO para obter ajuda.

PROBLEMA	CAUSA	SOLUÇÃO
A cabeça da roçadora continua a libertar fio automaticamente.	<ul style="list-style-type: none"> Está a usar um fio de corte muito leve. 	<ul style="list-style-type: none"> Use o fio de corte de nylon recomendado com um diâmetro de 2,4 mm.
A relva enrola-se à volta da cabeça da roçadora e da estrutura do motor.	<ul style="list-style-type: none"> Corte erva alta até ao nível do solo. 	<ul style="list-style-type: none"> Corte erva alta do topo até baixo, nunca retirando mais de 20 cm em cada passo, para evitar que a erva se enrol.
A lâmina não está a cortar o fio.	<ul style="list-style-type: none"> A lâmina de corte do fio na extremidade da proteção deixou de estar afiada. 	<ul style="list-style-type: none"> Siga as instruções para afiar a lâmina de corte do fio com uma lima, ou substitua por uma lâmina nova.
Rachas na cabeça da roçadora.	<ul style="list-style-type: none"> A cabeça da roçadora está gasta. 	<ul style="list-style-type: none"> Substitua a cabeça da roçadora imediatamente seguindo a secção "SUBSTITUIÇÃO DA CABEÇA DA ROÇADORA" neste manual.
O fio de corte não é enrolado corretamente na cabeça da roçadora.	<ul style="list-style-type: none"> Está a usar um fio de corte inadequado. Erva ou sujidade acumularam-se na cabeça da roçadora e bloquearam o movimento da bobina do fio. O motor sobreaqueceu devido a um funcionamento repetido do sistema de rebobinar o fio. Fraca capacidade da bateria. O fio não foi enrolado no conjunto da bobina. A cabeça da roçadora está danificada. 	<ul style="list-style-type: none"> Sugerimos que use fio de corte de nylon original da EGO. Se usar fio de nylon da EGO e o problema persistir, contacte o centro de apoio ao cliente da EGO para se aconselhar. Retire a bateria, abra a cabeça da roçadora e limpe bem. Deixe a roçadora funcionar sem carga durante alguns minutos para arrefecer o motor, depois, tente recarregar o fio. Carregue a bateria. Retire o fio e volte a inseri-lo. Contacte o serviço de apoio ao cliente da EGO para obter ajuda.
O fio de corte não passa pela cabeça da roçadora quando é inserido.	<ul style="list-style-type: none"> O fio de corte está partido ou dobrado na ponta. 	<ul style="list-style-type: none"> Corte a extremidade gasta do fio e volte a inserir.

GARANTIA

POLÍTICA DE GARANTIA EGO

Visite o website egopowerplus.eu para os termos e condições completos da política de garantia da EGO.

LEGGERE TUTTE LE ISTRUZIONI!



LEGGERE IL MANUALE DI ISTRUZIONI

IT



Avvertenza di sicurezza



Indossare protezioni per gli occhi - Durante l'uso del prodotto, indossare sempre occhiali protettivi o occhiali di sicurezza con protezioni laterali e una maschera facciale.



Indossare protezioni per le orecchie - Durante l'uso del prodotto, indossare sempre protezioni per le orecchie.



I prodotti elettrici non devono essere smaltiti insieme ai rifiuti domestici. Portarli presso un centro di riciclaggio autorizzato.



Mantenere una distanza di sicurezza - La distanza tra l'apparecchio e le altre persone presenti deve essere di almeno 15 metri.



Ampiezza di taglio - Ampiezza di taglio max. del decespugliatore



Scollegare il gruppo batteria del decespugliatore prima delle operazioni di pulizia o manutenzione.

UK
CA

Questo prodotto è conforme alle direttive britanniche applicabili.

A

Ampere

cm

Centimetro



Corrente continua

SIMBOLI DI SICUREZZA

L'uso di apparecchi elettrici può causare il lancio di oggetti estranei verso l'operatore, con il rischio di lesioni gravi agli occhi. Durante l'uso dell'apparecchio, indossare sempre occhiali protettivi o occhiali di sicurezza con protezioni laterali e, se necessario, una maschera facciale. Si raccomanda di indossare una maschera di sicurezza con ampio campo visivo sopra gli occhiali o occhiali di sicurezza standard con protezioni laterali.



Per ridurre il rischio di infortuni, leggere il manuale di istruzioni.

IPX4

Protezione da schizzi d'acqua



Livello di potenza sonora garantito



Rischio di oggetti lanciati - Gli oggetti lanciati possono rimbalzare e causare danni o lesioni. Assicurarsi che eventuali altre persone e animali rimangano a distanza dal decespugliatore quando è in funzione.



Non usare lame metalliche con questo decespugliatore.



Diametro del filo - Diametro del filo di taglio in nylon



Questo prodotto è conforme alle direttive europee applicabili.

V

Tensione

mm

Millimetro

kg

Chilogrammo

... /min

Al minuto

SPECIFICHE TECNICHE

Tensione	56 V	
Velocità a vuoto	Bassa velocità:	3500-4800 min ⁻¹
	Alta velocità:	4000-5500 min ⁻¹
Meccanismo di taglio	LINE-IQ	
Tipo di filo di taglio	Filo in nylon ritorto 2,4 mm	
Ampiezza di taglio	40 cm	
Temperatura di funzionamento raccomandata	Da 0°C a 40°C	
Temperatura di conservazione raccomandata	Da -20°C a 70°C	
Peso (senza gruppo batteria)	3,5 kg	
Livello di potenza sonora misurato L _{WA}		90 dB(A)
		K=2,5 dB(A)
Livello di pressione sonora a livello dell'orecchio dell'operatore L _{PA}		77 dB(A)
		K=3 dB(A)
Livello di potenza sonora garantito L _{WA} (misurato conformemente a 2000/14/EC)		92 dB(A)
Valore di emissione delle vibrazioni a _v	Impugnatura anteriore	3,9 m/s ² K=1,5 m/s ²
	Impugnatura posteriore	2,7 m/s ² K=1,5 m/s ²

- Il valore totale di emissione delle vibrazioni dichiarato è stato misurato con un metodo di valutazione standard e può essere utilizzato per confrontare l'apparecchio con altri prodotti analoghi.
- Il valore totale di emissione delle vibrazioni dichiarato può essere utilizzato anche per una valutazione preliminare dei livelli di esposizione.

NOTA: il valore di emissione delle vibrazioni durante l'uso effettivo dell'utensile elettrico può variare rispetto al valore totale dichiarato in base alla modalità di utilizzo dell'utensile. Per proteggersi, l'operatore deve indossare guanti e dispositivi di protezione per le orecchie in base alle condizioni di utilizzo effettive.

DESCRIZIONE

DESCRIZIONE DEL DECESPUGLIATORE (Fig. A1)

1. Interruttore a velocità variabile
2. Impugnatura posteriore
3. Linguetta di bloccaggio
4. Selettore della velocità
5. Indicatori della velocità
6. Anello di bloccaggio dell'asta
7. Impugnatura anteriore a regolazione rapida
8. Leva a rilascio rapido
9. Cerniera e bullone di bloccaggio
10. Pulsante POWERLOAD™
11. Testa di taglio (con meccanismo LINE-IQ)
12. Filo di taglio
13. Linguetta di rilascio
14. Lama taglia-filo
15. Cuffia di protezione
16. Meccanismo di espulsione
17. Dispositivo di bloccaggio
18. Pulsante di rilascio della batteria
19. Chiave esagonale
20. Anello di aggancio della tracolla
21. Tracolla

CONTENUTO DELL'IMBALLAGGIO (FIG. A1)

ASSEMBLAGGIO

⚠ AVVERTENZA! In caso di componenti danneggiati o mancanti, non usare l'apparecchio finché i componenti non vengono sostituiti. L'uso dell'apparecchio con componenti danneggiati o mancanti comporta il rischio di lesioni gravi.

⚠ AVVERTENZA! Non tentare di modificare l'apparecchio o creare accessori non raccomandati per l'uso con questo apparecchio. Tali alterazioni o modifiche costituiscono un uso improprio e comportano condizioni pericolose e il rischio di lesioni gravi.

⚠ AVVERTENZA! Per evitare l'avvio accidentale e il conseguente rischio di lesioni gravi, rimuovere sempre il gruppo batteria dall'apparecchio durante l'assemblaggio dei componenti.

IT

ASSEMBLAGGIO DELL'ASTA

⚠ AVVERTENZA! Per evitare il rischio di lesioni alle mani o alle dita, non tenere l'asta a livello della cerniera.

⚠ AVVERTENZA! Non tentare di avviare l'apparecchio finché l'asta non è stata bloccata.

Chiudere l'asta delicatamente, assicurandosi che il cavo sia all'interno dell'asta, e bloccarla con il bullone usando la chiave fornita (Fig. B1 e B2).

INSTALLAZIONE DELLA CUFFIA DI PROTEZIONE

⚠ AVVERTENZA! Indossare sempre i guanti durante l'installazione o la sostituzione della protezione. Fare attenzione alla lama sulla cuffia di protezione e proteggere le mani dal rischio di lesioni.

⚠ AVVERTENZA! Non usare l'apparecchio se la cuffia di protezione non è posizionata e saldamente. La cuffia di protezione deve essere sempre installata per proteggere l'operatore. Dopo aver installato la cuffia di protezione, non tentare di rimuoverla o regolarla. Se è necessario sostituirla, affidare l'operazione a un tecnico qualificato.

Posizionare il decespugliatore in modo tale che la testa dell'apparecchio sia rivolta verso l'alto (Fig. C1). Allineare i fori di montaggio della cuffia con i fori di assemblaggio, quindi bloccare la cuffia sulla base dell'asta con le due viti (Fig. C2).

NOTA: accertarsi che la cuffia sia fissata come illustrato in Fig. C1 e C2; il fissaggio invertito comporta gravi rischi!

INSTALLAZIONE E REGOLAZIONE DELL'IMPUGNATURA ANTERIORE

1. Allentare la leva a rilascio rapido e rimuoverla dall'impugnatura anteriore insieme al dado a farfalla (Fig. D1).

D1-1	Impugnatura anteriore	D1-2	Morsetto
D1-3	Dado a farfalla	D1-4	Leva a rilascio rapido

2. Spingere l'impugnatura anteriore sull'asta verso l'area di fissaggio, ovvero tra l'anello di bloccaggio dell'asta e la cerniera (Fig. D2).
3. Inserire il morsetto nella fessura dell'impugnatura (Fig. D3).
4. Inserire la leva a rilascio rapido e serrarla leggermente con il dado a farfalla. Accertarsi che

l'impugnatura anteriore sia posizionata verso l'alto e rivolta verso la parte superiore dell'impugnatura posteriore (Fig. D4).

5. Aprire la leva a rilascio rapido per spostare/ruotare l'impugnatura anteriore nella posizione desiderata, quindi bloccare la leva a rilascio rapido (Fig. D5).

NOTA: l'impugnatura anteriore deve essere posizionata sull'asta esclusivamente all'interno dell'area di fissaggio.

AVVERTENZA! L'apparecchio non può essere usato senza l'impugnatura anteriore fissata saldamente.

REGOLAZIONE DELLA LUNGHEZZA DELL'ASTA

Se la lunghezza dell'asta non è adatta all'operazione da svolgere, è possibile regolarla tramite l'anello di bloccaggio dell'asta.

1. Rimuovere il gruppo batteria dal decespugliatore.
2. Per regolare l'altezza del decespugliatore (ovvero la lunghezza dell'asta), aprire l'anello di bloccaggio dell'asta, fare scorrere l'asta verso l'alto o verso il basso, quindi bloccarla chiudendo l'anello di bloccaggio dell'asta (Fig. E).

E-1	Anello di bloccaggio dell'asta
-----	--------------------------------

NOTA: dopo aver modificato l'altezza del decespugliatore potrebbe essere necessario regolare nuovamente la posizione dell'impugnatura anteriore.

FISSAGGIO DELLA TRACOLLA

Per un uso sicuro e più agevole dell'apparecchio, indossare la tracolla sul petto appoggiandola a una spalla.

1. Allentare le vite a manopola e il dado esagonale sull'anello di aggancio della tracolla (Fig. F1).

F1-1	Vite a manopola	F1-2	Dado esagonale
F1-3	Anello di aggancio della tracolla		

2. Posizionare l'anello di aggancio della tracolla nella posizione desiderata all'interno dell'area di fissaggio, quindi bloccarlo in posizione serrando la vite a manopola e il dado esagonale.
3. Premere il moschettone della tracolla per aprirlo, quindi infilarlo nel foro sull'anello di aggancio della tracolla (Fig. F2).
4. Regolare la lunghezza e la posizione della tracolla.

⚠ AVVERTENZA! In caso di emergenza, sfilarla immediatamente dalla spalla, indipendentemente dalla sua modalità di fissaggio.

Non usare la tracolla a doppia spalla e la tracolla a spalla singola simultaneamente.

Durante l'uso della tracolla, assicurarsi di non indossare oggetti che possano interferire con la sua rimozione.

UTILIZZO

⚠ AVVERTENZA! Durante l'uso di utensili elettrici, indossare sempre occhiali protettivi o occhiali di sicurezza con protezioni laterali e protezioni per le orecchie per evitare il rischio di oggetti proiettati verso gli occhi dell'operatore e altre lesioni gravi.

Operazioni di **rifinitura**: l'apparecchio è ideale per tagliare erba ed erbaccia intorno a verande, recinti e piattaforme.

Operazioni di **taglio**: l'apparecchio è ideale per tagliare erba difficile da raggiungere con un normale tosaerba.

INSTALLAZIONE/RIMOZIONE DEL GRUPPO BATTERIA

Usare l'apparecchio esclusivamente con i gruppi batteria e caricabatteria EGO elencati in Fig. A2.

Ricaricare completamente la batteria prima del primo utilizzo.

Installazione

Allineare i rilievi sul gruppo batteria con le scanalature di fissaggio e premere il gruppo batteria fino al "clic" (Fig. G1).

Rimozione

Premere il pulsante di rilascio della batteria ed estrarre il gruppo batteria (Fig. G2).

COME IMPUGNARE IL DECESPUGLIATORE (Fig. H)

Per un funzionamento efficiente e sicuro, indossare la tracolla sulla spalla. Dopo aver regolato la lunghezza e la posizione della tracolla, tenere il tagliasièpi con entrambe le mani: una mano sull'impugnatura posteriore e l'altra sull'impugnatura anteriore.

NOTA: la testa del decespugliatore deve essere parallela al terreno a una corretta distanza di taglio, senza che l'operatore debba piegarsi in avanti.

⚠ AVVERTENZA! In caso di emergenza, sfilare immediatamente la tracolla dalla spalla, indipendentemente dalla sua modalità di fissaggio.

AVVIO/ARRESTO DEL DECESPUGLIATORE (Fig. I)

Avvio

Portare la linguetta di bloccaggio in avanti, quindi premere l'interruttore a velocità variabile.

L'interruttore integra un regolatore di velocità: maggiore è la pressione sull'interruttore, maggiore è la velocità dell'apparecchio.

I-1	Linguetta di bloccaggio	I-2	Interruttore a velocità variabile
-----	-------------------------	-----	-----------------------------------

Arresto

Rilasciare l'interruttore a velocità variabile.

REGOLAZIONE DELLA VELOCITÀ (Fig. J)

Il decespugliatore è dotato di due livelli di velocità: alta e bassa. Premere il selettore della velocità per modificare il livello di velocità.

Selezionando la bassa velocità, un solo indicatore della velocità si accenderà; selezionando l'alta velocità, entrambi gli indicatori si accenderanno. La bassa velocità migliora il controllo del decespugliatore e aumenta l'autonomia.

J-1	Indicatori della velocità	J-2	Selettore della velocità
-----	---------------------------	-----	--------------------------

UTILIZZO DEL DECESPUGLIATORE

Sgombrare l'area da tagliare prima di ogni utilizzo. Rimuovere oggetti come pietre, vetri rotti, chiodi, cavi o corde perché potrebbero venire lanciati o impigliarsi nell'accessorio di taglio. Tenere lontani dall'area di lavoro bambini, altre persone e animali. Tenere eventuali bambini, altre persone e animali ad almeno 15m di distanza; permane tuttavia il rischio di lesioni alle altre persone dovute al lancio di oggetti. Si raccomanda di far indossare dei dispositivi di protezione per gli occhi a eventuali persone presenti. Se un'altra persona si avvicina, arrestare immediatamente il motore e l'accessorio di taglio.

Prima di ogni utilizzo, verificare l'assenza di componenti danneggiati/usurati

Ispezionare la testa di taglio, la cuffia di protezione, la tracolla, l'anello di aggancio della tracolla e l'impugnatura anteriore. Sostituire i componenti incrinati, deformati, piegati o danneggiati in qualsiasi modo.

La lama taglia-filo sul bordo della cuffia di protezione può smussarsi col tempo. Si consiglia di affilarla periodicamente con una lima o di sostituirla con una lama nuova.

AVVERTENZA! Indossare sempre i guanti durante l'installazione o la sostituzione della cuffia di protezione o durante l'affilatura o la sostituzione della lama taglia-filo. Individuare la posizione della lama taglia-filo sulla cuffia di protezione e proteggere le mani dal rischio di lesioni.

IT

Verificare che la testa di taglio non sia ostruita.

- Mantenere la testa di taglio sempre pulita per evitare che possa bloccarsi. Rimuovere eventuali residui di erba, foglie, sporcizia e altri accumuli di detriti prima e dopo ogni utilizzo.
- In caso di ostruzione, arrestare l'apparecchio, rimuovere la batteria e controllare se intorno all'albero motore o alla testa di taglio si sono avvolti fili d'erba.

Pulire il decespugliatore dopo ogni utilizzo.

REGOLAZIONE DELLA LUNGHEZZA DEL FILO DI TAGLIO

La testa di taglio è dotata della tecnologia Line-IQ.

Quando una delle estremità del filo di taglio raggiunge i 18 cm durante l'uso, la testa di taglio allungherà automaticamente il filo e la parte eccedente verrà tagliata dalla lama taglia-filo (Fig. K).

NOTA: non è necessario premere la testa di taglio per allungare il filo. L'allungamento automatico del filo di taglio può causare una leggera vibrazione della testa di taglio durante l'uso.

AVVERTENZA! Non rimuovere o alterare la lama taglia-filo. Una lunghezza eccessiva del filo causerà il surriscaldamento del motore, con il rischio di lesioni gravi.

SOSTITUZIONE DEL FILO DI TAGLIO

NOTA: utilizzare esclusivamente il filo di taglio in nylon raccomandato con diametro pari a 2,4 mm.

L'uso di fili diversi da quello specificato comporta il rischio di surriscaldamento o danneggiamento del decespugliatore.

AVVERTENZA! Non usare filo metallico o rinforzato in metallo, corda, ecc. perché possono rompersi e diventare proiettili pericolosi.

Il decespugliatore è dotato del sistema di avvolgimento avanzato POWERLOAD™. Per avvolgere il filo di taglio intorno alla bobina basta premere un solo pulsante. L'avvolgimento del filo su una bobina vuota richiede in media 12 secondi. **Non mettere in funzione il sistema di avvolgimento ripetutamente in rapida successione per ridurre il rischio di danni al motore.**

1. Rimuovere il gruppo batteria.
2. Tagliare un pezzo di filo di taglio lungo circa 4 metri.
3. Inserire il filo nell'occhiello e spingerlo finché l'estremità non fuoriesce dall'occhiello opposto (Fig. L1).

L1-1	Filo di taglio	L1-2	occhiello
------	----------------	------	-----------

NOTA: non è necessario allineare gli occhielli per inserire il filo di taglio. Se il filo di taglio non entra nell'occhiello, installare il gruppo batteria sul decespugliatore e premere brevemente il pulsante POWERLOAD per riavviare il meccanismo di avvolgimento.

4. Rimuovere il gruppo batteria se è stato installato sul decespugliatore al passaggio 3.
5. Tirare il filo dall'altro lato affinché le estremità di filo che fuoriescono da entrambi i lati della testa di taglio abbiano la stessa lunghezza (Fig. L2).
6. Installare il gruppo batteria sul decespugliatore.
7. Tenere premuto il pulsante POWERLOAD per avviare il motore di avvolgimento. Il filo si avvolgerà automaticamente sulla bobina.
8. Prestare attenzione alla lunghezza del filo rimanente. Rilasciare il pulsante quando da ciascun lato non fuoriescono circa 22 cm di filo. Premere brevemente il pulsante per regolare la lunghezza del filo finché da ciascun lato non fuoriescono 18 cm di filo (Fig. L3).

NOTA: se il filo si avvolge completamente intorno alla bobina senza fuoriuscire, aprire la testa di taglio ed estrarre il filo di taglio dalla bobina. Seguire le istruzioni alla sezione "RICARICA DEL FILO DI TAGLIO" per ricaricare il filo.

RICARICA DEL FILO DI TAGLIO

NOTA: se il filo di taglio si incastra all'interno della testa di taglio, rimuovere il filo di taglio rimanente dalla testa di taglio e procedere come descritto di seguito per ricaricarlo.

1. Rimuovere il gruppo batteria.

2. Premere le linguette di rilascio sulla testa di taglio e rimuovere il gruppo coperchio inferiore estraendolo in linea retta (Fig. M1 e M2).

M1-1	Linguetta di rilascio	M1-2	Gruppo coperchio inferiore
------	-----------------------	------	----------------------------

3. Rimuovere il filo di taglio dalla testa di taglio.
4. Tenendo il decespugliatore con una mano, afferrare il gruppo coperchio inferiore con l'altra mano e allineare le fessure sul gruppo coperchio inferiore con le linguette di rilascio. Premere il gruppo coperchio inferiore finché non si fissa in posizione emettendo un "clic" (Fig. M3).

M3-1	Linguetta di rilascio	M3-2	Fessura
------	-----------------------	------	---------

5. Seguire le istruzioni alla sezione "**SOSTITUZIONE DEL FILO DI TAGLIO**" per ricaricare il filo di taglio.

SOSTITUZIONE DELLA TESTA DI TAGLIO

⚠ AVVERTENZA! Se la testa di taglio si allenta dopo averla fissata, sostituirla immediatamente. Non usare mai il decespugliatore se l'accessorio di taglio è allentato. Sostituire immediatamente la testa di taglio se è incrinata, danneggiata o usurata, anche se il danno è limitato a incrinature superficiali. Alle alte velocità, gli accessori di taglio possono frantumarsi e causare lesioni gravi.

Componenti della testa di taglio (Fig. N1)

N1-1	Coperchio inferiore	N1-2	Dado
N1-3	Gruppo bobina	N1-4	Boccola

Rimozione della testa di taglio

1. Rimuovere il gruppo batteria.
2. Premere le linguette di rilascio sulla testa di taglio e rimuovere il coperchio inferiore estraendolo in linea retta (Fig. M1 e M2).
3. Rimuovere il filo di taglio dalla testa di taglio (Fig. N2).
4. Indossare guanti. Afferrare il gruppo bobina con una mano per stabilizzarlo, quindi usare l'altra mano per allentare il dado in senso antiorario con una chiave a impulsi (non fornita) (Fig. N3).

N3-1	Dado	N3-2	Chiave a impulsi (non fornita)
------	------	------	--------------------------------

5. Rimuovere il gruppo bobina e la boccola dall'albero

motore. Conservare la boccola perché sarà necessario reinstallarla in seguito.

6. Per installare la nuova testa di taglio, procedere come descritto di seguito.

Installazione della testa di taglio

1. Fissare la boccola sull'albero motore e posizionare il gruppo bobina. Usare una chiave a impulsi per serrare il dado.
2. Fissare il gruppo coperchio inferiore (Fig. M3).
3. Ricaricare il filo di taglio.
4. Avviare il decespugliatore per assicurarsi che funzioni correttamente. In caso contrario, rimontarlo come descritto in precedenza.

IT

MANUTENZIONE

⚠ AVVERTENZA! Per la riparazione dell'apparecchio, usare esclusivamente parti di ricambio identiche. L'uso di altri ricambi comporta situazioni pericolose o il rischio di danni all'apparecchio. Per garantire sicurezza e affidabilità, tutte le riparazioni e le sostituzioni devono essere eseguite da un tecnico qualificato.

⚠ AVVERTENZA! Per evitare lesioni gravi, rimuovere il gruppo batteria dall'apparecchio prima di pulirlo, ripararlo o rimuovere del materiale dall'apparecchio.

⚠ ATTENZIONE! L'ostruzione delle aperture di ventilazione impedirà il flusso d'aria all'interno del vano motore, causando il surriscaldamento o il danneggiamento del motore.

PULIZIA DELL'APPARECCHIO

- Pulire l'apparecchio usando un panno inumidito con del detergente neutro. Evitare l'infiltrazione di liquidi all'interno dell'apparecchio. Non immergere mai alcuna parte dell'apparecchio in liquidi.
- non usare detersivi aggressivi sulle superfici esterne in plastica o sull'impugnatura perché possono essere danneggiate da alcuni oli aromatici, come pino e limone, e da solventi come il cherosene. L'umidità comporta il rischio di scossa elettrica. Rimuovere eventuali tracce di umidità con un panno morbido e asciutto.
- Usare una piccola spazzola o un piccolo aspirapolvere per pulire le aperture di ventilazione sulla parte posteriore dell'apparecchio.
- Mantenere le aperture di ventilazione prive di ostruzioni.

AFFILATURA DELLA LAMA TAGLIA-FILO

⚠ AVVERTENZA! Proteggere sempre le mani indossando guanti robusti durante qualsiasi operazione di manutenzione sulla lama taglia-filo.

1. Allentare le due viti e rimuovere la lama taglia-filo dalla cuffia di protezione (Fig. 0).

0-1	Viti	0-2	Lama taglia-filo
-----	------	-----	------------------

IT

2. Fissare la lama in una morsa.
3. Affilare con attenzione i bordi di taglio della lama con una lima a denti fini o una pietra cote, assicurandosi di mantenere l'angolo di taglio originale.
4. Riposizionare la lama sulla cuffia di protezione e fissarla con le due viti.

CONSERVAZIONE DELL'APPARECCHIO

- Rimuovere il gruppo batteria dal decespugliatore.
- Pulire accuratamente l'apparecchio prima di riporlo.
- Conservare l'apparecchio in un luogo asciutto, ben ventilato, elevato o chiuso a chiave, e fuori dalla portata dei bambini. Non conservare l'apparecchio sopra o in prossimità di fertilizzanti, benzina o altre sostanze chimiche.

Protezione dell'ambiente



Non smaltire apparecchi elettrici, caricabatteria e batterie insieme ai rifiuti domestici. Portare il prodotto presso un centro di riciclaggio autorizzato affinché venga raccolto separatamente. Gli apparecchi elettrici devono essere portati presso un centro di riciclaggio ecocompatibile.

RISOLUZIONE DEI PROBLEMI

PROBLEMA	CAUSA	SOLUZIONE
Il decespugliatore non si avvia.	<ul style="list-style-type: none"> ■ Il gruppo batteria non è installato sul decespugliatore. ■ Nessun contatto elettrico tra il decespugliatore e la batteria. ■ Il gruppo batteria è scarico. ■ La linguetta di bloccaggio non è stata portata in avanti prima di premere l'interruttore a velocità variabile. ■ L'albero motore o la testa di taglio sono bloccati dall'erba. 	<ul style="list-style-type: none"> ■ Installare il gruppo batteria sul decespugliatore. ■ Rimuovere la batteria, ispezionare i contatti e reinstallare il gruppo batteria. ■ Ricaricare il gruppo batteria. ■ Portare la linguetta di bloccaggio in avanti, quindi premere l'interruttore a velocità variabile. ■ Rimuovere l'erba dall'albero motore e dalla testa di taglio.
Il decespugliatore si arresta durante il taglio.	<ul style="list-style-type: none"> ■ La cuffia di protezione non è installata sul decespugliatore, causando l'eccessiva lunghezza del filo di taglio e il sovraccarico del motore. ■ Il filo di taglio è troppo spesso. ■ Il gruppo batteria o il decespugliatore sono troppo caldi. ■ Il gruppo batteria si è scollegato. ■ Il gruppo batteria è scarico. 	<ul style="list-style-type: none"> ■ Rimuovere il gruppo batteria e installare la cuffia di protezione sul decespugliatore. ■ Utilizzare esclusivamente il filo di taglio in nylon raccomandato con diametro pari a 2,4 mm. ■ Lasciare che la batteria o il decespugliatore si raffreddino. ■ Reinstallare il gruppo batteria. ■ Ricaricare il gruppo batteria.

IT

PROBLEMA	CAUSA	SOLUZIONE
Non è possibile allungare il filo di taglio.	<ul style="list-style-type: none"> ■ L'albero motore o la testa di taglio sono bloccati dall'erba. ■ Sulla bobina non è presente abbastanza filo, o il filo si rompe a livello dell'occhiello. ■ Il filo è aggrovigliato. ■ Il filo è troppo corto. ■ Il filo di taglio è troppo spesso. ■ Malfunzionamento della testa di taglio. 	<ul style="list-style-type: none"> ■ Arrestare il decespugliatore, rimuovere la batteria e pulire l'albero motore e la testa di taglio. ■ Rimuovere la batteria e sostituire il filo di taglio. Seguire le istruzioni alla sezione "SOSTITUZIONE DEL FILO DI TAGLIO" in questo manuale. ■ Rimuovere la batteria, rimuovere il filo dalla testa di taglio e riavvolgerlo. Seguire le istruzioni alla sezione "RICARICA DEL FILO DI TAGLIO" in questo manuale. ■ Rimuovere la batteria, quindi tirare il filo manualmente, e nel contempo premere e rilasciare la testa di taglio. ■ Utilizzare esclusivamente il filo di taglio in nylon raccomandato con diametro pari a 2,4 mm. ■ Contattare il centro di assistenza EGO per la riparazione.
Il filo di taglio continua ad allungarsi automaticamente.	<ul style="list-style-type: none"> ■ Il filo di taglio è troppo sottile. 	<ul style="list-style-type: none"> ■ Utilizzare esclusivamente il filo di taglio in nylon raccomandato con diametro pari a 2,4 mm.
L'erba si avvolge intorno alla testa di taglio e al vano motore.	<ul style="list-style-type: none"> ■ Tagliare l'erba a livello del terreno. 	<ul style="list-style-type: none"> ■ Tagliare l'erba dall'alto verso il basso, rimuovendo non più di 20 cm a ogni passata per evitare il problema.
La lama non taglia il filo.	<ul style="list-style-type: none"> ■ La lama taglia-filo sul bordo della cuffia di protezione è smussata. 	<ul style="list-style-type: none"> ■ Affilare la lama taglia-filo con una lima o sostituirla con una lama nuova. Seguire le istruzioni in questo manuale.
Incrinature sulla testa di taglio.	<ul style="list-style-type: none"> ■ La testa di taglio è usurata. 	<ul style="list-style-type: none"> ■ Sostituire immediatamente la testa di taglio come indicato alla sezione "SOSTITUZIONE DELLA TESTA DI TAGLIO" in questo manuale.

PROBLEMA	CAUSA	SOLUZIONE
Il filo di taglio non si avvolge correttamente intorno alla bobina.	<ul style="list-style-type: none"> ■ Il tipo di filo di taglio non è corretto. ■ Erba o sporcizia si sono accumulate nella testa di taglio, bloccando il movimento della bobina. ■ Il motore si è surriscaldato a seguito della ripetuta attivazione del sistema di avvolgimento del filo. ■ La batteria è scarica. ■ Il filo non è avvolto intorno alla bobina. ■ La testa di taglio è difettosa. 	<ul style="list-style-type: none"> ■ Si raccomanda di utilizzare filo di taglio in nylon originale EGO. Se il problema si verifica utilizzando il filo in nylon EGO, contattare il servizio clienti EGO. ■ Rimuovere la batteria, aprire la testa di taglio e pulirla accuratamente. ■ Avviare il decespugliatore a vuoto per qualche minuto per raffreddare il motore, quindi ricaricare il filo. ■ Ricaricare la batteria. ■ Estrarre il filo di taglio e reinserirlo. ■ Contattare il centro di assistenza EGO per la riparazione.
Il filo di taglio non fuoriesce dalla testa di taglio durante l'inserimento.	<ul style="list-style-type: none"> ■ L'estremità del filo di taglio è spaccata o piegata. 	<ul style="list-style-type: none"> ■ Tagliare l'estremità di filo usurata e reinserirlo.

IT

GARANZIA

CONDIZIONI DELLA GARANZIA EGO

Visitare il sito web egopowerplus.eu per consultare le condizioni complete della garanzia EGO.

LEES ALLE INSTRUCTIES!



LEES DE GEBRUIKSAANWIJZING

NL



Veiligheidswaarschuwing



Draag oogbescherming - Draag altijd een veiligheidsbril met zijkleren en een gelaatsscherm als u dit product gebruikt.



Draag gehoorbescherming - Draag altijd gehoorbescherming wanneer u dit product gebruikt.



Gooi elektrisch afval niet via het huishoudelijk afval weg. Breng het naar een geautoriseerd recyclingbedrijf.



Houd veilige afstand - De afstand tussen het gereedschap en omstanders moet ten minste 15 m bedragen.



Maaibreedte - De max. maaibreedte van de grastrimmer



Koppel het accupack los van de grastrimmer voordat u onderhouds- of reinigingswerkzaamheden uitvoert

UK
CA

Dit product is in overeenstemming met de toepasselijke richtlijnen van het VK.

A

Ampère

cm

Centimeter



Gelijkstroom

VEILIGHEIDSSYMBOL

Het gebruik van elektrische gereedschappen kan leiden tot het rondslingeren van (vreemde) objecten die in uw ogen kunnen terechtkomen. Dit kan leiden tot ernstig oogletsel. Wanneer u elektrische apparaten gebruikt, zorg er dan voor dat u altijd een veiligheidsbril (met zijkleren) of een gelaatsscherm draagt. We bevelen aan om een gelaatsscherm over uw bril of standaard veiligheidsbril met zijkleren te gebruiken.



De gebruiker moet de gebruiksaanwijzing lezen om het risico op letsel te beperken.

IPX4

Bescherming tegen water



Gewaarborgd geluidsvermogensniveau.



Pas op voor wegslingerende voorwerpen - Wegslingerende voorwerpen kunnen afketsen en persoonlijk letsel of materiële schade tot gevolg hebben. Zorg dat andere personen en huisdieren uit de buurt van de grastrimmer blijven wanneer deze in gebruik is.



Gebruik de metalen messen van de grastrimmer trimmer niet



Draaddiameter - De diameter van de nylon snijdraad



Dit product is in overeenstemming met de EG-richtlijnen.

V

Spanning

mm

Millimeter

kg

Kilogram

... /min

Per minuut

SPECIFICATIES

Spanning	56 V	
Snelheid zonder belasting	Laag snelheidsbereik:	3500-4800 min ⁻¹
	Hoog snelheidsbereik:	4000-5500 min ⁻¹
Snijdraad mechanisme	LINE-IQ AANVOER	
Type snijdraad	2,4 mm nylon gedraaide draad	
Maaibreedte	40 cm	
Aanbevolen bedrijfstemperatuur	0°C - 40°C	
Aanbevolen opslagtemperatuur	-20°C - 70°C	
Gewicht (zonder accupack)	3,5 kg	
Gemeten geluidsvermogensniveau L _{WA}		90 dB(A)
		K=2,5 dB(A)
Geluidsdrukkniveau bij het oor van de bediener L _{PA}		77 dB(A)
		K=3 dB(A)
Gegarandeerd geluidsvermogensniveau L _{WA} (gemeten volgens 2000/14/EC)	92 dB(A)	
Inschatting van de vibratie a _h	Voorste handgreep	3,9 m/s ² K=1,5 m/s ²
	Achterste handgreep	2,7 m/s ² K=1,5 m/s ²

- De opgegeven totale vibratiewaarde is gemeten volgens de standaard testmethode en kan worden gebruikt om het apparaat met een ander apparaat te vergelijken;
- De opgegeven totale vibratiewaarde kan tevens worden gebruikt in een voorafgaande beoordeling op blootstelling.

OPMERKING: De trillingsemisatie tijdens het werkelijk gebruik van het elektrisch gereedschap kan verschillen van de opgegeven totale waarde; Om de bediener te beschermen dient de gebruiker tijdens het gebruik handschoenen en gehoorbescherming te dragen.

BESCHRIJVING

KEN UW GRASTRIMMER (afb. A1)

1. Instelbare snelheidsknop
2. Achterste handgreep

3. Sluittip
4. Schakelaar voor 2 snelheden
5. Snelheidsindicator
6. Hoogtevergrendelingsrand
7. Snel aanpasbare voorste handgreep
8. Snelle ontgrendelingshendel
9. Hang- en sluitbout
10. POWERLOAD™ knop
11. Trimmerkop (met LINE-IQ aanvoer)
12. Snijdraad
13. Ontgrendelingsknop
14. Mes voor het snijden van de draad
15. Scherm
16. Uitwerpmechanisme
17. Vergrendeling
18. Accu-ontgrendelingsknop
19. Binnenzeskantsleutel
20. Lus voor de schouderriem
21. Schouderriem

INHOUD VAN DE VERPAKKING (AFB. A1)

MONTAGE

⚠ WAARSCHUWING: Als er onderdelen beschadigd zijn of ontbreken, gebruik dit product niet totdat alle onderdelen vervangen of aanwezig zijn. Dit product gebruiken met beschadigde of ontbrekende onderdelen kan ernstig persoonlijk letsel veroorzaken.

⚠ WAARSCHUWING: Probeer niet om dit product aan te passen of accessoires te maken die niet voor gebruik met deze grastrimmer zijn aanbevolen. Een dergelijke aanpassing of wijziging is misbruik en kan leiden tot gevaar en een ernstig persoonlijk letsel.

⚠ WAARSCHUWING: Om het toevallig starten van het apparaat, dat ernstig persoonlijk letsel kan veroorzaken, te voorkomen, verwijder altijd de accu uit het apparaat voordat u onderdelen monteert.

DE AS UITKLAPPEN

⚠ WAARSCHUWING: Om het inklemmen van handen of vingers te voorkomen, mag u de as niet vastpakken bij de scharnieren.

⚠ WAARSCHUWING: Tracht de trimmer niet te starten totdat de as is vergrendeld.

Klap de as voorzichtig uit, zorg ervoor dat de kabel in de as zit en vergrendel hem met de bout met behulp van de meegeleverde sleutel (afb. B1 & B2).

HET SCHERM MONTEREN

⚠ WAARSCHUWING: Draag altijd handschoenen wanneer u de bescherming monteert of vervangt. Wees voorzichtig bij het mes en bescherm uw handen tegen letsel door het mes.

⚠ WAARSCHUWING: Gebruik het apparaat nooit zonder juist gemonteerde bescherming. De bescherming moet zich altijd op het apparaat bevinden om de gebruiker te beschermen! Als de bescherming is vastgemaakt, mag u nooit pogen de bescherming te verwijderen of aan te passen. Als u een vervanging nodig heeft, dient dit te worden uitgevoerd door een gekwalificeerde onderhoudsmonteur!

Positioneer uw trimmer zo, dat de trimmerkop naar boven is gericht (afb. C1). Breng het scherm boven de montagegaten en bevestig het scherm vervolgens met de twee schroeven op de asbasis (afb. C2).

OPMERKING: Zorg ervoor dat het scherm volgens afb. C1 & C2 is bevestigd; een andere bevestiging kan groot gevaar veroorzaken!

DE VOORSTE HANDGREEP MONTEREN EN AANPASSEN

- Maak de snelle ontgrendelingshendel en vleugelmoer los en verwijder deze van de voorste handgreep (afb. D1).

D1-1	Voorste handgreep	D1-2	Klemblok
D1-3	Vleugelmoer	D1-4	Snelle ontgrendelingshendel

- Duw de voorste handgreep op de as binnen de montagezone tussen de hoogtevergrendelingsrand en het scharnier (afb. D2).
- Steek het klemblok in de handvatgleuf (afb. D3).
- Bevestig de snelle ontgrendelingshendel en maak de vleugelmoer handvast. Zorg ervoor dat de voorste handgreep naar boven is gericht zodat het in richting van de achterste handgreep wijst (afb. D4).
- Trek de snelle ontgrendelingshendel omhoog om

de voorste greep te bewegen/draaien naar een comfortabele bedieningspositie en vergrendel vervolgens de snelle ontgrendelingshendel (afb. D5).

OPMERKING: De voorste handgreep mag alleen binnen de montagezone op de as worden geplaatst.

⚠ WAARSCHUWING: Het gereedschap kan niet worden gebruikt als de voorste handgreep niet veilig bevestigd is.

DE HOOGTE VAN DE TRIMMER AANPASSEN

Als de lengte van de as niet geschikt is voor het gebruik, kunt u de lengte van de as aanpassen met behulp van de hoogtevergrendelingsrand.

- Haal het accupack uit de grastrimmer.
- Om de hoogte van de trimmer (bijv. de schachtlengte) aan te passen, opent u de hoogtevergrendelingsrand en schuift u de as omhoog of omlaag naar de gewenste hoogte, waarbij u deze op zijn plaats vastzet door de hoogtevergrendelingsrand in te drukken (afb. E).

E-1	Hoogtevergrendelingsrand
-----	--------------------------

OPMERKING: De voorste handgreep moet mogelijk worden verplaatst nadat de hoogte van de trimmer is aangepast.

DE SCHOUDERRIEM BEVESTIGEN

Voor een veilige en betere bediening plaatst u de riem over een van uw schouders en over uw rug.

- Maak de schroefknop en zeskantmoer los van de lus van de schouderriem (afb. F1).

F1-1	Schroefknop	F1-2	Zeskantmoer
F1-3	Lus voor de schouderriem		

- Plaats de lus van de schouderriem op een comfortabele bedieningspositie binnen de installatiezone en bevestig deze vervolgens door de schroefknop en de zeskantmoer aan te draaien.
- Druk de karabijn van de schouderriem in om deze te openen en bevestig de schouderriem aan het gat in de riemlus (afb. F2).
- Pas de lengte en plaatsing van de schouderriem aan voor een comfortabele bedieningspositie.

⚠ WAARSCHUWING: Als er sprake is van een noodgeval, haalt u hem direct van de schouder, ongeacht hoe de riem zit.

Gebruik geen enkele schouderband of dubbele schouderband tegelijkertijd.

Bij het dragen van de riem mag geen enkele andere wearable het losmaken en verwijderen van de riem hinderen.

GEBRUIK

⚠ WAARSCHUWING: Draag altijd een afsluitende veiligheidsbril of een veiligheidsbril met zijschermen in combinatie met gehoorbescherming. Het niet dragen van deze beschermingsuitrusting kan ertoe leiden dat voorwerpen in uw ogen terechtkomen of kan een ander ernstig letsel veroorzaken.

Trimmen: Gras en onkruid trimmen rond veranda's, heggen en terrassen.

Snijden: Gras dat moeilijk te bereiken is met een normale grasmaaier.

HET ACCUPACK INSTALLEREN/VERWIJDEREN

Gebruik alleen met de in afb. A2 vermelde accupacks en opladers van EGO.

Voor de eerste ingebruikname volledig opladen.

Installeren

Breng de ribbels van de accu overeen met de montageleuven en druk het accupack naar beneden totdat u "klik" hoort (afb. G1).

Verwijderen

Druk de accu-ontgrendelingsknop naar beneden en trek het accupack eruit (afb. G2).

DE GRASTRIMMER VASTHOUDEN (afb. H)

Voor een veiliger en beter gebruik draagt u de schouderriem over uw schouder. Pas de lengte en plaatsing van de schouderriem aan in een comfortabele bedieningspositie - houd de trimmer met beide handen vast: één hand op de achterste handgreep en de andere hand op de voorste handgreep.

OPMERKING: De snijkop bevindt zich parallel tot de grond op een geschikte snijafstand zonder dat de bediener naar voren moet bukken.

⚠ WAARSCHUWING: Als er sprake is van een noodgeval, haalt u de schouderriem direct van de schouder, ongeacht hoe de riem zit.

DE GRASTRIMMER STARTEN/STOPPEN (afb. I)

Starten

Beweeg de sluitlip naar voren en druk de instelbare snelheidsknop.

De schakelaar is een traploze snelheidsregeling. Hoe verder u aan de schakelaar trekt, hoe hoger de snelheid.

I-1	Sluitlip	I-2	Instelbare snelheidsknop
-----	----------	-----	--------------------------

Stoppen

Laat de instelbare snelheidsknop los.

FUNCTIE VOOR HET INSTELLEN VAN DE SNELHEID (afb. J)

De grastrimmer heeft twee snelheden. Druk op de schakelaar voor 2 snelheden om de snij snelheid tussen laag en hoog te wisselen.

De snelheidsindicator geeft de actieve snelheidsstatus weer: één lampje voor lage snelheid en twee lampjes voor hoge snelheid. Het lage snelheidsbereik zorgt voor een betere controle van de trimmer en een langere bedrijfstijd per aculading.

J-1	Snelheidsindicator	J-2	Schakelaar voor 2 snelheden
-----	--------------------	-----	-----------------------------

DE GRASTRIMMER GEBRUIKEN

Voor gebruik, verwijder alle mogelijke obstakels uit de te maaien zone. Verwijder voorwerpen zoals stenen, gebroken glas, spijkers, draad of koorden, die opgegooid kunnen worden of in het snijelement terecht kunnen komen. Zorg dat er zich geen kinderen, omstanders of huisdieren in de omgeving bevinden. Houd kinderen, omstanders en huisdieren op een afstand van minstens 15 m; er is nog altijd risico op het wegslingeren van voorwerpen richting omstanders. Omstanders worden aangespoord om oogbescherming te dragen. Als iemand in de buurt komt, stop de motor en het snijelement dan onmiddellijk.

Voor elk gebruik, controleer op beschadigde/versleten onderdelen

Controleer de trimmerkop, het scherm, de schouderriem, de lus van de schouderriem en de voorste handgreep. Vervang alle onderdelen die op enigerlei wijze zijn gebastren, kromgetrokken, gebogen of beschadigd.

Het mes voor het snijden van de draad op de rand van het scherm kan na verloop van tijd bot worden. Het wordt aanbevolen om het mes regelmatig met een vijl te slijpen of door een nieuw mes te vervangen.

⚠ WAARSCHUWING: Draag altijd handschoenen wanneer u het scherm monteert of vervangt of het mes voor het snijden van de snijdraad slijpt of

vervangt. Let op de positie van het mes op het scherm zodat u geen letsel aan de handen oploopt.

Controleer op blokkeringen van de trimmerkop

- Houd de trimmerkop schoon om blokkeringen te voorkomen. Verwijder gemaaid gras, bladeren, vuil en ander opgehoopt vuil voor en na elk gebruik.
- Als er een blokkering optreedt, stopt u de trimmer en verwijdert u de accu. Verwijder vervolgens al het gras dat zich mogelijk rond de motoras of de trimmerkop heeft gewikkeld.

NL

Maak de trimmer na elk gebruik schoon.

DE LENGTE VAN DE SNIJDRAAD AANPASSEN

De Line-iQ aanvoer is uitgerust met geavanceerde technologie.

Als een van beide uiteinden van de snijdraad minder dan 18 cm lang is tijdens het trimmen, zal de trimmerkop de snijdraad automatisch loslaten en wordt het extra deel van de snijdraad afgesneden door het mes voor de snijdraad (afb. K).

OPMERKING: U hoeft de trimmerkop nergens tegenaan te tikken om de snijdraad los te maken. Als u een lichte trilling van de trimmerkop voelt bij het trimmen van het gras, is dat de snijdraad die automatisch wordt vrijgegeven.

WAARSCHUWING: Verwijder of pas de draadsnijder niet aan. Door een te lange snijdraad zal de motor oververhitten wat tot ernstig persoonlijk letsel kan leiden.

DE DRAAD VERVANGEN

OPMERKING: Gebruik altijd de aanbevolen nylon snijdraad met een diameter van 2,4 mm.

Het gebruik van een andere dan de aanbevolen draad kan leiden tot oververhitting of schade aan het gereedschap.

WAARSCHUWING: Gebruik nooit een met metaal versterkte draad, kabel of koord etc. Deze kunnen afbreken en een gevaarlijk projectiel worden.

De grastrimmer is uitgerust met een geavanceerd POWERLOAD™ systeem. De snijdraad kan eenvoudig op de spoel worden gewikkeld door op een enkele knop te drukken. Het laden van een volledige spoel kan meestal in 12 seconden worden voltooid. **Vermijd herhaalde bediening van het wikkelsysteem snel achter elkaar om de mogelijkheid van motorschade te verminderen.**

1. Het accupack verwijderen.
2. Knip een stuk snijdraad van 4 m lang.
3. Steek de draad in het oogje en duw de draad totdat het einde van de draad uit het tegenoverliggende oogje komt (afb. L1).

L1-1	Snijdraad	L1-2	Oogje
------	-----------	------	-------

OPMERKING: Het is niet nodig om de oogjes uit te lijnen om de snijdraad te plaatsen. Als de draad niet in het oogje kan worden gestoken, bevestigt u het accupack op de trimmer en drukt u kort op de POWERLOAD-knop om het opwindmechanisme opnieuw in te stellen.

4. Verwijder het accupack als deze in stap 3 op de trimmer is gemonteerd.
5. Trek de draad van de andere kant totdat gelijke lengtes van de draad aan beide zijden van de trimmerkop verschijnen (afb. L2).
6. Plaats het accupack op de grastrimmer.
7. Houd de POWERLOAD-knop ingedrukt om de opwikkelmotor voor de draad te starten. De draad wordt doorlopend op de trimmerkop opgewonden.
8. Houd de resterende draadlengte aandachtig in de gaten. Bereid u voor om de knop los te laten zodra er aan elke kant ongeveer 22 cm draad overblijft. Druk eventjes op de laadknop voor de draad om de lengte aan te passen totdat 18 cm van de draad aan elke kant uitsteekt (afb. L3).

OPMERKING: Als de draad per ongeluk in de trimmerkop wordt getrokken, opent u de kop en trekt u de snijdraad uit de spoel. Volg de paragraaf “**DE SNIJDRAAD OPNIEUW LADEN**” in deze handleiding om de draad opnieuw te laden.

PLAATS DE SNIJDRAAD TERUG

OPMERKING: Wanneer de snijdraad vast komt te zitten in de trimmerkop, moet u de resterende snijdraad van de trimmerkop verwijderen en de onderstaande stappen volgen om de draad opnieuw te laden.

1. Het accupack verwijderen.
2. Druk op de ontgrendelingsknoppen op de trimmerkop en verwijder de onderste afdekking van de trimmerkop door deze recht eruit te trekken (afb. M1 & M2).

M1-1	Ontgrendeling-sknop	M1-2	Montage van de onderste afdekking
------	---------------------	------	-----------------------------------

3. Verwijder de snijdraad van de trimmerkop.
4. Met een hand aan de trimmer, gebruikt u de andere hand om de onderste afdekking vast te pakken en de sleuven in de onderste afdekking in een lijn te brengen met de ontgrendelingsknoppen. Druk de onderste afdekking totdat deze op zijn plek vergrendeld. U hoort op dat moment een duidelijke klik (afb. M3).

M3-1	Ontgrendeling-sknop	M3-2	Gleuf
------	---------------------	------	-------

5. Volg de instructies in de alinea "DE DRAAD VERVANGEN" om een nieuwe snijdraad te plaatsen.

TRIMMERKOP VERVANGEN

⚠ WAARSCHUWING: Als de kop na bevestiging op de juiste positie loskomt, vervang hem onmiddellijk. Gebruik nooit een trimmer met een los snijelement. Vervang een gebarsten, beschadigde of versleten snijkop onmiddellijk, zelfs al is de schade beperkt tot oppervlakkige barstjes. Dergelijk toebehoor kan op een hoge snelheid uiteen spatten en ernstig letsel veroorzaken.

Ken de trimmerkop (afb. N1)

N1-1	Onderste afdekking	N1-2	Moer
N1-3	Montage van de spoel	N1-4	Lager

Verwijder de trimmerkop

1. Het accupack verwijderen.
2. Druk op de ontgrendelingsknoppen op de trimmerkop en verwijder de onderste afdekking van de trimmerkop door deze recht eruit te trekken (zie afb. M1 & M2).
3. Verwijder de snijdraad van de trimmerkop (afb. N2).
4. Draag handschoenen. Gebruik een hand om de gemonteerde spoel te stabiliseren en gebruik de andere hand om de moersleutel (niet inbegrepen) vast te houden en de moer tegen de klok in los te draaien (afb. N3).

N3-1	Moer	N3-2	Moersleutel (niet inbegrepen)
------	------	------	-------------------------------

5. Verwijder de gemonteerde spoel en de bus van de motoras. Bewaar de bus voor latere montage.
6. Vervang door een nieuwe trimmerkop en monteer hem met de volgende stappen.

Plaats de nieuwe trimmerkop

1. Monteer de bus in de motoras en monteer de gemonteerde spoel op zijn plaats. Gebruik een moersleutel om de moer vast te draaien.
2. Bevestig de onderste afdekking (zie afb. M3).
3. Plaats de snijdraad terug.
4. Start het gereedschap om te zien of de grastrimmer normaal werkt. Als dat niet het geval is, monteer dan zoals boven beschreven.

NL

ONDERHOUD

⚠ WAARSCHUWING: Gebruik voor reparaties uitsluitend identieke reserve-onderdelen. Het gebruik van andere onderdelen kan gevaar opleveren of schade aan het product veroorzaken. Laat alle reparaties uitvoeren door een vakbekwame reparateur om een continue veiligheid en betrouwbaarheid te waarborgen.

⚠ WAARSCHUWING: Om ernstig persoonlijk letsel te voorkomen, haal het accupack uit het product voordat u onderhoud uitvoert of het apparaat reinigt.

⚠ OPGELET: Belemmeringen in de ventilatieopeningen beletten de aanvoer van lucht in de motorbehuizing. Dit kan oververhitting of schade aan de motor veroorzaken.

HET APPARAAT SCHOONMAKEN

- Maak het apparaat schoon met een vochtige doek en mild schoonmaakmiddel. Zorg dat er geen vloeistof het gereedschap binnendringt. Dompel nooit een deel van het gereedschap in een vloeistof.
- Maak de kunststof behuizing of handgreep niet schoon met een agressief schoonmaakmiddel. Deze kunnen door bepaalde aromatische oliën, zoals pijnboom en citroen, en oplosmiddelen, zoals kerosine, worden beschadigd. Vocht kan risico op elektrische schokken met zich meebrengen. Veeg eventueel vocht weg met een zachte, droge doek.
- Maak de ventilatieopeningen van het achterste gedeelte van de behuizing schoon met een kleine borstel of een stofzuiger met een kleine borstel.
- Houd de ventilatieopeningen vrij en schoon.

HET MES VOOR HET SNIJDEN VAN DE SNIJDRAAD SLIJPEN

⚠ WAARSCHUWING: Bescherm altijd uw handen door zware handschoenen te dragen als u onderhoud aan het mes voor het snijden van de draad uitvoert.

1. Draai de twee schroeven los en verwijder het mes voor het snijden van de snijdraad van het scherm (afb. 0).

0-1	Schroeven	0-2	Mes voor het snijden van de draad
-----	-----------	-----	-----------------------------------

NL

2. Bevestig het mes in een bankschroef.
3. Vijl de randen van het mes voorzichtig met een fijne vijl of een slijpsteen. Let hierbij op dat de originele snijhoek van het mes behouden blijft.
4. Plaats het mes op het scherm en zet het vast met twee schroeven.

HET APPARAAT OPBERGEN

- Haal het accupack uit de grastrimmer.
- Maak het gereedschap grondig schoon voordat u het opbergt.
- Berg het apparaat op in een droge, goed geventileerde en afsluitbare ruimte of op een hoge hoogte en buiten het bereik van kinderen. Berg het apparaat niet op in de buurt van meststoffen, benzine of andere chemicaliën.

Het milieu beschermen



Gooi geen elektrische apparatuur, gebruikte accu's en laders weg via het huishoudelijk afval! Geef dit product af bij een geautoriseerd recyclingbedrijf en zorg dat het apart kan worden ingezameld. Elektrisch gereedschap moet worden afgegeven voor een milieuvriendelijke recycling.

PROBLEEMOPLOSSING

PROBLEEM	OORZAAK	OPLOSSING
De grastrimmer start niet.	<ul style="list-style-type: none"> ■ Het accupack is niet met de grastrimmer verbonden. ■ Er is geen elektrisch contact tussen de grastrimmer en accu. ■ Het accupack is uitgeput. ■ De vergrendelingsschakelaar wordt niet naar voren geplaatst voordat de variabele snelheidsknop wordt ingedrukt. ■ De motoras of trimmerkop zit vol met gras. 	<ul style="list-style-type: none"> ■ Verbind het accupack met de grastrimmer. ■ Verwijder de accu, controleer de contacten en bevestig het accupack weer. ■ Laad het accupack op. ■ Beweeg de sluitlip naar voren en druk de instelbare snelheidsknop. ■ Verwijder het gras van de motoras en trimmerkop.
De grastrimmer stopt tijdens het maaien.	<ul style="list-style-type: none"> ■ Het scherm is niet op de grastrimmer gemonteerd waardoor de snijdraad te lang is en de motor oververhit raakt. ■ Er wordt zware snijdraad gebruikt. ■ Het accupack of de grastrimmer is te heet. ■ Het accupack is niet met het gereedschap verbonden. ■ Het accupack is uitgeput. 	<ul style="list-style-type: none"> ■ Verwijder het accupack en monteer de bescherming op de trimmer. ■ Gebruik de aanbevolen nylon snijdraad met een diameter van 2,4 mm. ■ Laat de accu of grastrimmer afkoelen. ■ Installeer het accupack opnieuw. ■ Laad het accupack op.
De draad wordt niet door de snijkop vrijgegeven.	<ul style="list-style-type: none"> ■ De motoras of trimmerkop zit vol met gras. ■ Er is onvoldoende draad op de spoel of de draad breekt bij het oogje. ■ De draad is in de war. ■ De draad is te kort. ■ Er wordt zware snijdraad gebruikt. ■ De trimmerkop heeft een storing. 	<ul style="list-style-type: none"> ■ Stop de grastrimmer, verwijder de accu en reinig de motoras en snijkop. ■ Verwijder de accu en vervang de snijdraad volgens de sectie "DE DRAAD VERVANGEN" in deze handleiding. ■ Verwijder de accu en verwijder de snijdraad van de snijkop en wikkel op, zoals beschreven in het gedeelte "DE SNIJDRAAD TERUG PLAATSEN" in deze handleiding. ■ Verwijder het accupack en trek eventjes aan de draden terwijl de snijkop afwisselend wordt ingeduwd en losgelaten. ■ Gebruik de aanbevolen nylon snijdraad met een diameter van 2,4 mm. ■ Bel de EGO klantenservice voor hulp.

PROBLEEM	OORZAAK	OPLOSSING
Trimmerkop blijft de draad automatisch vrijgeven.	<ul style="list-style-type: none"> ■ Een te lichte snijdraad wordt gebruikt. 	<ul style="list-style-type: none"> ■ Gebruik de aanbevolen nylon snijdraad met een diameter van 2,4 mm.
Het gras wordt om de trimmerkop en motor-behuizing gewikkeld.	<ul style="list-style-type: none"> ■ Lang gras wordt op grondniveau gemaaid 	<ul style="list-style-type: none"> ■ Maai lang gras van boven naar onder en verwijder niet meer dan 20 cm per maaibeurt om omwikkeling te voorkomen.
Het mes snijdt de draad niet.	<ul style="list-style-type: none"> ■ Het mes voor het snijden van de draad op de rand van het scherm is bot. 	<ul style="list-style-type: none"> ■ Volg de instructies voor het slijpen van het mes met behulp van een vijl of vervang het door een nieuwe.
Scheuren op de trimmerkop	<ul style="list-style-type: none"> ■ De snijkop is versleten. 	<ul style="list-style-type: none"> ■ Vervang de trimmerkop direct overeenkomstig het gedeelte "TRIMMERKOP VERVANGEN" in deze handleiding.
De snijdraad kan niet naar behoren op de trimmerkop worden opgewonden.	<ul style="list-style-type: none"> ■ Er wordt een verkeerde snijdraad gebruikt. ■ Grasresten of vuil hebben zich opgehoopt in de trimmerkop en blokkeren de beweging van de draadspoel. ■ De motor is oververhit als gevolg van herhaaldelijk gebruik van het opwindsysteem voor de draad. ■ Accu bijna leeg ■ De draad wordt niet in de spoelmontage gewikkeld. ■ De trimmerkop is defect. 	<ul style="list-style-type: none"> ■ We raden u aan EGO originele nylon snijdraad te gebruiken. Als u de nylon draad van EGO gebruikt en als het probleem blijft bestaan, neem dan contact op met de EGO klantenservice voor advies. ■ Verwijder de accu, op de trimmerkop en reinig hem grondig. ■ Laat de grastrimmer enkele minuten onbelast lopen om de motor af te koelen, probeer vervolgens nogmaals de snijdraad te laden. ■ Laad de accu op ■ Trek de draad eruit en plaats deze opnieuw. ■ Bel de EGO klantenservice voor hulp.
De snijdraad wordt niet goed doorgegeven door de trimmerkop als de snijdraad wordt geplaatst.	<ul style="list-style-type: none"> ■ De snijdraad is gespleten of aan het uiteinde gebogen. 	<ul style="list-style-type: none"> ■ Snijd het versleten uiteinde van de draad af en plaats hem terug.

GARANTIE

EGO GARANTIEBELEID

Bezoek alstublieft de website egopowerplus.eu voor de volledige voorwaarden van het EGO garantiebeleid.

LÆS ALLE ANVISNINGER!



LÆS BRUGSVEJLEDNINGEN



Sikkerhedsadvarsel



Brug øjenbeskyttelse - brug altid beskyttelsesbriller eller sikkerhedsbriller med sideskærm og en fuld ansigtsskærm, når du bruger dette produkt.



Brug høreværn - brug altid høreværn, når du bruger dette produkt.



Elektriske affaldsprodukter må ikke bortskaffes sammen med husholdningsaffald. Tag det til en godkendt genbrugsplads.



Hold sikker afstand - Afstanden mellem apparatet og omkringstående skal være mindst 15 m.



Klippebredde - kantklipperens maks. klippebredde



Tag batteripakken ud af græstrimmeren, før vedligeholdelses- eller rengøringsarbejdet udføres



Dette produkt er i overensstemmelse med lovgivningen i Storbritannien.

A Ampere

cm Centimeter

⎓ Jævnstrøm (DC)

SIKKERHEDSSYMBOL

Når elværktøjer bruges, er der altid en risiko for at genstande slynges ind i øjnene, som kan føre til alvorlige øjenskader. Inden du begynder elværktøj drift, altid bære beskyttelsesbriller eller sikkerhedsbriller med side skjolde og en fuld ansigtsmaske når det er nødvendigt. Vi anbefaler en Wide Vision Safety Maske til brug over briller eller standard sikkerhedsbriller med sideskærme.



For at mindske risikoen for skader skal brugeren læse brugsanvisningen.

IPX4

Beskyttelse mod vandsprøjt



Garanteret lydniveau.



Pas på slyngende genstande - Smågenstande kan slynges ud og føre til person-skader eller materielle skader. Hold andre personer og kæledyr på afstand fra græstrimmeren, når den er i brug.



Der må ikke sættes metalklinger på græstrimmeren



Snordiameter - diameteren af nylontrimmersnoren



Dette produkt er i overensstemmelse med gældende EU-direktiver.

V Spænding

mm Millimeter

kg Kg

.../min Per minut

DK

SPECIFIKATIONER

Spænding	56 V
Ubelastet hastighed	Lav hastighedsområde: 3500-4800 min ⁻¹
	Høj hastighedsområde: 4000-5500 min ⁻¹
Type klippesnor	INDFØRING MED LINE-IQ
Type klippesnor	2,4 mm snoet nylonnor
Klippebredde	40 cm
Anbefalet driftstemperatur	0°C - 40°C
Anbefalet opbevaringstemperatur	-20°C - 70°C
Vægt (uden batteri)	3,5 kg
Målt lydeffektniveau L _{WA}	90 dB(A) K=2,5 dB(A)
	77 dB(A) K=3 dB(A)
Lydtryk ved brugerens øre L _{PA}	92 dB(A)
Vibrationsværdi a _h	Forhåndtag 3,9 m/s ² K=1,5 m/s ²
	Baghåndtag 2,7 m/s ² K=1,5 m/s ²

- Den samlede erklærede vibrationsværdi er målt i overensstemmelse med en standard testmetoden, og den kan bruges til at sammenligne et værktøj med et andet;
- Den samlede angivne vibrationsværdi kan også bruges ved en foreløbig vurdering af eksponeringen.

BEMÆRK: Vibrationsemissionen ved faktisk brug af elværktøjet kan afvige fra den angivne værdi, hvor værktøjet bruges. For at beskytte brugeren, skal brugeren bruge handsker og høreværn i de faktiske brugsforhold.

BESKRIVELSE

KEND DIN GRÆSTRIMMER (fig. A1)

- Gashåndtag
- Baghåndtag
- Låsegreb
- Knap til valg mellem to hastigheder
- Hastighedsindikator

- Låseklemme til højdejustering
- Justerbart støttehåndtag foran
- Låsehåndtag
- Hængsel og låseskrue
- POWERLOAD™ knap
- Trimmerhoved (indføring med LINE-IQ)
- Klippesnor
- Udløsertap
- Kniv til afskæring af snor
- Skærm
- Udløsermekanisme
- Lås
- Knap til frigørelse af batteri
- Unbrakonøgle
- Løkke på skulderstrop
- Skulderstrop

LISTE OVER DELE (FIG. A1)

SAMLING

ADVARSEL: Hvis der er dele, der er beskadigede eller mangler, anvendes apparatet ikke, før delene er udskiftet. Brug af dette produkt med beskadigede eller manglende dele kan medføre alvorlig personskade.

ADVARSEL: Forsøg ikke at ændre dette produkt eller fremstille tilbehør, der ikke anbefales til brug med denne kantklipper. Enhver sådan ændring eller modifikation er misbrug og kan resultere i en farlig situation og føre til eventuel alvorlig personskade.

ADVARSEL: For at forebygge utilsigtet start, der kan forårsage alvorlige personskader, skal batteripakken altid tages ud af maskinen, når delene sættes på.

UDFOLDNING AF SKAFTET

ADVARSEL: Hold ikke akslen ved samlingerne, så du ikke får hænderne eller fingrene i klemme.

ADVARSEL: Forsøg ikke at starte trimmeren, før akslen er låst.

Fold akslen forsigtigt ud. Sørg for, at kablet er i akslen, og lås den med boltten og den medfølgende skruenøgle (fig. B1 & B2).

MONTERING AF SKÆRMEN

⚠ ADVARSEL: Brug altid handsker ved montering eller udskiftning af kappen. Vær forsigtig med kniven på knappen, og beskyt dine hænder mod at blive skåret af kniven.

⚠ ADVARSEL: NBrug aldrig maskinen uden skærmen solidt på plads. Skærmen skal altid være på værktøjet for at beskytte brugeren! Når skærmen sættes på, må du aldrig prøve at fjerne eller tilpasse den. Hvis den skal skiftes, skal det gøres af en kvalificeret servicetekniker!

Placer din trimmer, så trimmerhovedet vender opad (fig. C1). Flugt skærmens monteringshuller med enhedens huller; sæt derefter skærmen fast på skaftets nedre kant med de to skruer (fig. C2).

BEMÆRK: Sørg for, at skærmen sidder som på fig. C1 og C2. Hvis monteringen gøres omvendt kan det forårsage stor fare!

MONTERING OG JUSTERING AF FORHÅNDTAGET

1. Løsn og fjern låsen og vingemøtrikken på forhåndtaget (fig. D1).

D1-1	Forhåndtag	D1-2	Klemmeklods
D1-3	Vingemøtrik	D1-4	Låsehåndtag

2. Tryk forhåndtaget på akslen inden for monteringsområdet mellem låseklemmen til højdejusteringen og hængslet (fig. D2).
3. Indsæt klemmeklodsens i noten i håndtaget (fig. D3).
4. Monter låsehåndtaget på stangen, og spænd let til med vingemøtrikken. Sørg for at forhåndtaget vender opad og peger mod toppen af baghåndtag (fig. D4).
5. Tryk låsen op for, at flytte/dreje forhåndtaget til en behagelig position, og lås derefter låsen til håndtaget (fig. D5).

BEMÆRK: Forhåndtaget må kun sættes på akslen inden for monteringsområdet.

⚠ ADVARSEL: Værktøjet kan ikke bruges, uden at forhåndtaget sidder godt fast.

JUSTERING AF TRIMMERHOVEDET

Hvis skaftets længde ikke er egnet til drift, kan du justere skaftets længde med låseklemmen til højdejusteringen.

1. Fjern batteripakken fra trimmeren.

2. For at justere trimmerens højde (dvs. akslens længde), skal du løsne låseklemmen til højdejusteringen og trække akslen op eller ned til den ønskede højde. Spænd derefter låseklemmen til højdejusteringen på akslen igen (fig. E).

E-1	Låseklemme til højdejustering
-----	-------------------------------

BEMÆRK: Forhåndtaget skal muligvis flyttes, hvis trimmerens højde skal justeres.

MONTERING AF SKULDERSTROPPE

For at produktet skal være sikkert og behageligt at bruge, skal du bruge remmen over skuldren og bag om ryggen.

1. Løsn skrueknoppen og møtrikken på skulderstroppens løkke (fig. F1).

F1-1	Skrueknop	F1-2	Møtrik
F1-3	Løkke på skulderstrop		

2. Placer skulderremmen i en behagelig arbejdsposition inden for monteringsområdet, og spænd den derefter fast ved, at stramme skrueknoppen og møtrikken.
3. Tryk på klemmen på skulderremmen for at åbne den, og sæt skulderremmen i løkken (fig. F2).
4. Juster skulderremmens længde og placering, så den er behagelig under brug.

⚠ ADVARSEL: Når der opstår en fare, så tag den straks af skulderen, uanset hvordan remmen er sat på.

Du må ikke bruge den ene skulderstrop og dobbelt-skulderstroppen på samme tid.

Når du bruger remmen, må ingen andre bærebare ting forstyrre frigørelsen og fjernelse af remmen.

BETJENING

⚠ ADVARSEL: Bær altid beskyttelsesbriller eller sikkerhedsbriller med sidebeskyttelse samt høreværn. Hvis disse ikke bruges, kan du få genstande slynget i øjnene, og der kan også opstå andre alvorlige skader.

Trimning: af græs og ukrudt omkring indgangspartier, hegn, terrasser

Klipning: af græs, der er svært at nå med en almindelig plæneklipper.

DK

PÅSÆTNING / AFTAGNING BATTERIPAKKEN

Produktet må kun bruges med EGO's batteripakker og opladere, der er anført i fig A2

Lad batteriet helt op inden første brug.

Påsætning

Flugt batteriets ribber med monteringsnoterne, og tryk batteriet ned, indtil du hører et "klik" (fig. G1).

Aftagning

Tryk på knappen til batteriudløseren, og træk batteripakken ud (fig. G2).

DK

SÅDAN HOLDES GRÆSTRIMMEREN (fig. H)

Betjeningen gøres sikker og behagelig ved at benytte skulderremmen. Juster skulderremmens længde og placering, så den er behagelig at have på - hold trimmeren med begge hænder med den ene hånd på baghåndtaget og den anden hånd på forhåndtaget.

BEMÆRK: Trimmerens hoved skal være parallelt med jorden i korrekt trimmeafstand, uden at operatøren læner sig fremover.

⚠ ADVARSEL: I en eventuel nødsituation, skal du straks tage stroppen af skulderen, uanset hvordan stroppen er sat på.

START/STOP AF GRÆSTRIMMEREN (fig. I)

Sådan startes produktet

Tryk låsegrebet fremad, og tryk derefter på gashåndtaget.

Udløseren har trinløs hastighedsjustering. Jo mere du trækker i udløseren, jo højere er maskinens hastighed.

I-1	Låsetunge	I-2	Gashåndtag
-----	-----------	-----	------------

Sådan stoppes produktet

Slip gashåndtaget.

HASTIGHEDSJUSTERING (fig. J)

Græstrimmeren har to hastighedsindstillinger. Tryk på knappen til valg mellem 2 hastigheder for, at ændre klippehastigheden mellem lav og høj hastighed.

Hastighedsindikatoren viser den aktive hastighed: Et lys for lav hastighed og to lys for høj hastighed. På den lave hastighed har du bedre kontrol over trimmeren og den kan køre længere på hver opladning.

J-1	Hastighedsindikator	J-2	Knap til valg mellem to hastigheder
-----	---------------------	-----	-------------------------------------

BRUG AF GRÆSTRIMMEREN

Ryd op i området, hvor der skal klippes, før hver brug. Fjern alle genstande, såsom sten, glasskår, søm, tråd, eller linje, der kan slynges eller blive viklet ind i trimmerdelen. Få børn, tilskuere og kæledyr væk fra området. Hold alle børn, omkringstående og kæledyr mindst 15 m væk. Tilskuere kan stadig være i fare for at blive ramt af genstande, der slynges ud. Omkringstående bør opfordres til at bære øjenbeskyttelse. Hvis nogen nærmer sig, så stop straks motoren og trimmerdelen.

Før hver anvendelse undersøges for skader / slidte dele

Kontroller trimmerhovedet, skærmen, skulderremmen, skulderremmens løkke og forhåndtaget. Udskift alle dele, der på nogen måde er revnet, skæve, bøje eller beskadigede.

Snorkniven på kanten af skærmen bliver med tiden sløv. Det anbefales regelmæssigt at slibe den med en fil eller udskifte den med en ny kniv.

⚠ ADVARSEL: Brug altid handsker når skærmen sættes på eller skiftes, og når kniven slibes eller skiftes. Vær forsigtig med kniven på kappen, og beskyt hænderne mod at blive skåret.

Se, om trimmerhovedet er tilstoppet

- Hold trimmerhovedet rent, så det ikke tilstoppes. Fjern græs, blade, jord og andet ophobet skidt før og efter hver brug.
- Hvis det tilstoppes, skal du stoppe kantklipperen og tage batteriet ud. Fjern derefter alt græs, der har viklet sig rundt om motorakslen eller trimmerhovedet.

Efter hver brug rengøres trimmeren.

JUSTERING AF KLIPPESNORENS LÆNGDE

Trimmerhovedet med Line-iQ er udstyret med en avanceret teknologi.

Hvis klippesnoren bliver kortere end 18 cm under brug, fører trimmerhovedet automatisk mere klippesnor ud, så den slidte ende klippes af med kniven (fig. K).

BEMÆRK: Det er ikke nødvendigt at trykke på trimmerhovedet for, at føre mere klippesnor ud. Hvis du mærker en let rysten i trimmerhovedet under brug, er det fordi klippesnoren automatisk føres ud.

⚠ ADVARSEL: Du må ikke fjerne snorkniven eller ændre på den enhed, hvor den sidder. For lang snor vil få motoren til at overophede, og kan føre til alvorlige personskader.

UDSKIFTNING AF SNOREN

BEMÆRK: Brug altid den anbefalede klippesnor af nylon med en diameter på 2,4 mm.

Hvis en snor med en anden diameter bruges, kan det overophede eller beskadige kniven.

⚠ ADVARSEL: Brug aldrig metalforstærket snor, ståltråd eller reb osv. Disse kan brække af og blive farlige projektiler.

Græstrimmeren er udstyret med et avanceret system, der hedder POWERLOAD™. Klippesnoren kan vikles på spolen ved blot at trykke på en enkelt knap. Det tager ca. 12 sekunder, at rulle en hel spole op. Undgå gentagen brug af oprulningssystemet umiddelbart efter hinanden for at mindske risikoen for beskadigelse af motoren.

1. Fjern batteripakken.
2. Klip et stykke klippesnor af i en længde på 4 meter.
3. Sæt snoren ind i øjet, og tryk den ind, indtil snoren kommer ud af det modsatte øje (fig. L1).

L1-1	Klippesnor	L1-2	Øje
------	------------	------	-----

BEMÆRK: Det er ikke nødvendigt at justere øjerne, når klippesnoren sættes i. Hvis snoren ikke kan sættes ind i øjet, skal du sætte batteripakken i trimmeren og derefter trykke på POWERLOAD-knappen for, at nulstille oprulningsmekanismen.

4. Tag batteripakken ud, hvis du sat den i trimmeren i trin 3.
5. Træk i snoren fra den anden side, indtil den er lige lang på hver side af trimmerhovedet (fig. L2).
6. Sæt batteripakken i græstrimmeren.
7. Tryk på knappen til oprulningsmekanismen for at starte oprulningsmotoren. Snoren vikles løbende ind i trimmerhovedet.
8. Hold godt øje med længden på resten af snoren. Vær klar til at slippe knappen, når der stikker ca. 22 cm snor ud til hver side. Tryk derefter kortvarigt på knappen til oprulningsmekanismen, indtil der stikker ca. 18 cm snor ud til hver side (fig. L3).

BEMÆRK: Hvis snoren ved et uheld trækkes ind i trimmerhovedet, så åbnes hovedet og klippesnoren trækkes ud af spolen. I afsnittet ”SÅDAN SÆTTES KLIPPESNOREN PÅ IGEN” i denne vejledning kan du se, hvordan snoren rulles på igen.

SÅDAN SÆTTES KLIPPESNOREN PÅ IGEN

BEMÆRK: Hvis klippesnoren sidder fast i trimmerhovedet, skal du tage al klippesnor ud af trimmerhovedet og følge nedenstående trin for at sætte snoren på igen.

1. Fjern batteripakken.
2. Tryk på udløsertappene på trimmerhovedet, og tag den nederste dækselenhed på trimmerhovedet ved at trække den lige ud (fig. M1 og M2).

M1-1	Udløsertap	M1-2	Nedre dækselsamling
------	------------	------	---------------------

3. Tag klippesnoren af trimmerhovedet.
4. Hold trimmeren med den ene hånd, og brug den anden hånd til at gribe om den nederste dækselenhed. Flugt indhakkene i den nederste dækselenhed med udløsertappene. Tryk på den nederste dækselenhed, indtil den klikker på plads med en tydelig kliklyd (fig. M3).

M3-1	Udløsertap	M3-2	Rille
------	------------	------	-------

5. Følg vejledningen i afsnittet ”UDSKIFTNING AF SNOREN”, når der skal fyldes mere klippesnor i.

UDSKIFTNING AF TRIMMERHOVEDET

⚠ ADVARSEL: Hvis hovedet løsner sig, efter at det er monteret, skal det straks spændes fast igen. Brug aldrig en trimmer med en løs trimmerdel. Udskift straks et revnet, beskadiget eller slidt trimmerhoved, selv om skaden er begrænset til overfladiske revner. Sådanne påmonteringer kan splintre ved høj hastighed og forårsage alvorlige skader.

Kend trimmerhovedet (fig. N1)

N1-1	Nedre dæksel	N1-2	Møtrik
N1-3	Spoleenhed	N1-4	Bøsning

Sådan tages trimmerhovedet af

1. Fjern batteripakken.
2. Tryk på udløsertappene på trimmerhovedet, og tag det nedre dæksel af trimmerhovedet ved at trække det lige ud (se fig. M1 og M2).
3. Tag klippesnoren ud af trimmerhovedet (fig. N2).
4. Brug handsker. Brug den ene hånd til at gribe om spoleenheden for at stabilisere den, og brug den anden hånd til at holde en slagnøgle (medfølger ikke) til at løsne møtrikken mod uret (fig. N3).

DK

N3-1	Møtrik	N3-2	Slagnøgle (medfølger ikke)
------	--------	------	-------------------------------

5. Tag spoleenheden og bøsningen af motorakslen. Gem bøsningen til senere montering.
6. Sæt et nyt trimmerhoved på, og montér det på følgende måde.

Sådan sættes et nyt trimmerhoved på

1. Sæt bøsningen på motorakslen, og sæt spoleenheden på plads. Brug en slagnøgle til, at spænde møtrikken.
2. Monter det nederste dæksel (se fig. M3).
3. Sæt klippesnoren på igen.
4. Start værktøjet for at, se om græstrimmeren fungerer normalt. I modsat fald kontrolleres, at samlingen er sket som beskrevet ovenfor.

DK

VEDLIGEHOLDELSE

⚠ ADVARSEL: Ved service må der kun bruges originale reservedele. Brug af andre reservedele kan medføre fare eller forårsage skader på produktet. For at sikre sikkerhed og pålidelighed, bør alle reparationer udføres af en kvalificeret servicetekniker.

⚠ ADVARSEL: For at undgå alvorlig personskader, skal batteriet tages ud af produktet før service, rengøring, og før der fjernes noget fra produktet.

⚠ FORSIGTIG: Forhindringer i ventilationsåbningerne forhindrer luften i at komme ind i motorhuset og forårsager overophedning eller beskadigelse af motoren.

RENGØRING AF APPARATET

- Rengør apparatet med en fugtig klud med et mildt rengøringsmiddel. Lad aldrig væsker komme ind i værktøjet, nedsæk det aldrig i nogen form for væske.
- Brug ikke stærke rengøringsmidler på plastkabinettet eller -håndtaget. De kan tage skade af visse aromatiske olier, såsom fyr og citron, og opløsningsmidler såsom petroleum. Fugt kan også give elektrisk stød. Tør al fugt af med en blød tør klud.
- Brug en lille børste eller luftaftrækket på en lille støvsugerbørste til at rengøre lufthullerne for forhindringer på det bageste hus.
- Hold lufthullerne fri for forhindringer.

SLIB KNIVEN TIL AFSKÆRING AF SNOREN

ADVARSEL: Beskyt altid dine hænder ved at bruge kraftige handsker, når du udfører vedligeholdelsesarbejde på kniven til afskæring af snor.

1. Løsn de to skruer, og tag kniven ud af skærmen (fig. O).

0-1	Skruer	0-2	Kniv til afskæring af snor
-----	--------	-----	----------------------------

2. Sæt bladet i en skruestik.
3. Fil forsigtigt skærefladerne på kniven med en fintandet fil eller slibesten. Sørg for, at bevare den oprindelige skærevinkel.
4. Sæt kniven fast på skærmen igen med de to skruer.

OPBEVARING AF APPARATET

- Fjern batteripakken fra trimmeren.
- Rengør værktøjet grundigt, før det lægges væk.
- Opbevar apparatet på et tørt og godt ventileret sted, der er låst og utilgængeligt for børn. Opbevar ikke apparatet på eller ved siden af kunstgødning, benzin eller andre kemikalier.

Beskyttelse af miljøet



Elektrisk udstyr, batterioplader og batterier må ikke smides ud sammen med almindelig husholdningsaffald! Tag dette produkt til en autoriseret genbrugsplads, og sørg for at det sendes til genbrug. Elektriske værktøjer skal returneres til et miljøkompatibelt genvindingsanlæg.

FEJLFINDING

PROBLEM	ÅRSAG	LØSNING
Græstrimmeren starter ikke.	<ul style="list-style-type: none"> ■ Batteripakken er ikke sat på trimmeren. ■ Ingen elektrisk kontakt mellem trimmer og batteri. ■ Batteriet er afladet. ■ Låseknappen trykkes ikke frem, før der trykkes på gashåndtaget. ■ Motoraksel eller trimmerhoved er fyldt med græs. 	<ul style="list-style-type: none"> ■ Sæt batteripakken i trimmeren. ■ Fjern batteriet, kontrollér kontakter, og sæt batteriet på igen. ■ Oplad batteripakken. ■ Tryk låsegrebet fremad, og tryk derefter på gashåndtaget. ■ Fjern græsset fra motorakslen og trimmerhovedet.
Græstrimmeren stopper under brug.	<ul style="list-style-type: none"> ■ Skærmen er ikke monteret på trimmeren, hvilket resulterer i en alt for lang klippesnor og overbelastning af motoren. ■ Klippesnoren, der bruges, er for tyk. ■ Batteripakken eller græstrimmeren er for varm. ■ Batteripakken er taget af værktøjet. ■ Batteriet er afladet. 	<ul style="list-style-type: none"> ■ Fjern batteripakken, og sæt skærmen på trimmeren. ■ Brug en anbefalet klippesnor af nylon med en diameter på 2,4 mm. ■ Afkøl batteriet eller græstrimmeren. ■ Sæt batteripakken på plads igen. ■ Oplad batteripakken.
Trimmerhovedet fører ikke snoren ud.	<ul style="list-style-type: none"> ■ Motorakslen eller trimmerhovedet er fyldt med græs. ■ Der er ikke nok snor på spolen eller snoren knækker i øjet. ■ Snoren er indviklet. ■ Snoren er for kort. ■ Klippesnoren, der bruges, er for tyk. ■ Funktionsfejl i trimmerhovedet. 	<ul style="list-style-type: none"> ■ Stop trimmeren, fjern batteriet, og fjern græs fra motoraksel og trimmerhoved. ■ Fjern batteriet, og udskift snoren. Se afsnittet "UDSKIFTNING AF SNOREN" i denne vejledning. ■ Tag batteriet ud. Tag snoren af trimmerhovedet og rul den på igen. Se afsnittet "SÅDAN SÆTTES KLIPPESNOREN PÅ IGEN" i denne vejledning. ■ Tag batteriet af og træk i snorene, mens trimmerhovedet skiftevis trykkes ned og slippes. ■ Brug en anbefalet klippesnor af nylon med en diameter på 2,4 mm. ■ Ring til EGO kundeservice for at få hjælp.

DK

PROBLEM	ÅRSAG	LØSNING
Trimmerhovedet fortsætter med, at føre snoren ud automatisk.	<ul style="list-style-type: none"> ■ Klippesnoren, der bruges, er for tynd. 	<ul style="list-style-type: none"> ■ Brug en anbefalet klippesnor af nylon med en diameter på 2,4 mm.
Græs er viklet omkring trimmerhoved og motorhus.	<ul style="list-style-type: none"> ■ Trimning af højt græs i jordhøjde 	<ul style="list-style-type: none"> ■ Klip højt græs oppefra og ned, og tag ikke mere end 20 cm hver gang for at forhindre, at græsset snor sig fast.
Kniven skærer ikke snoren over.	<ul style="list-style-type: none"> ■ Snorkniven på kanten af skærmen er blevet sløv 	<ul style="list-style-type: none"> ■ Følg vejledningerne for, at slibe kniven med en fil, eller skift den ud med en ny kniv.
DK Revner på trimmerhovedet	<ul style="list-style-type: none"> ■ Trimmerhovedet er slidt. 	<ul style="list-style-type: none"> ■ Fjern batteriet, og udskift snoren. Se afsnittet "UDSKIFTNING AF TRIMMERHOVEDET" i denne vejledning.
Klippesnoren kan ikke vikles ordentligt ind i trimmerhovedet.	<ul style="list-style-type: none"> ■ Der bruges en forkert klippesnor. ■ Græsrester eller snavs har samlet sig i trimmerhovedet, så snorspolen ikke kan bevæge sig. ■ Motoren er overophedet, da den har kørt gentagne gange for, at rulle snoren op. ■ Lav batterikapacitet ■ Klippesnoren er ikke viklet ind i spolen. ■ Trimmerhovedet er defekt. 	<ul style="list-style-type: none"> ■ Vi anbefaler, at du bruger original klippesnor af nylon fra EGO. Hvis du bruger nylon snor fra EGO, og problemet fortsætter, bedes du ringe til EGO's kundeservice for rådgivning. ■ Tag batteriet af, åbn trimmerhovedet og rengør det ordentligt. ■ Lad græstrimmeren køre uden belastning i et par minutter for at afkøle motoren, og prøv derefter at sætte snoren i igen. ■ Skift batteriet ■ Træk snoren ud og sæt den i igen. ■ Ring til EGO kundeservice for at få hjælp.
Klippesnoren kan ikke sættes gennem trimmerhovedet, når den sættes i.	<ul style="list-style-type: none"> ■ Klippesnoren er revnet eller bøjet for enden. 	<ul style="list-style-type: none"> ■ Skær den slidte ende af snoren, og sæt den i igen.

GARANTI

EGO GARANTI POLITIK

Besøg venligst hjemmesiden egopowerplus.eu for fuldstændige vilkår og betingelser for EGO's garantipolitik.

LÄS IGENOM ALLA INSTRUKTIONER!



LÄS IGENOM BRUKSANVISNINGEN



Säkerhetslarm



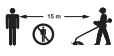
Använd ögonskydd - Använd alltid skyddsglasögon eller säkerhetsglasögon med sidoskydd och hel ansiktsmask när denna produkt används.



Använd hörselskydd - Använd alltid hörselskydd när denna produkt används.



Förbrukade elektriska produkter får inte kastas i hushållssoporna. Lämnas in till en auktoriserad återvinningsstation.



Håll säkerhetsavstånd - Avståndet mellan maskinen och åskådare ska vara minst 15 m



Trimmerbredd - Max. trimmerbredd för trädtrimmern



Koppla ifrån batteripaketet från trädtrimmern innan du utför något underhåll eller rengöringsarbeten



Denna produkt uppfyller tillämpliga lagar i Storbritannien.

A

Ampere

cm

Centimeter



Likström

SÄKERHETSSYMBOL

Användning av något elverktyg kan resultera i att främmande föremål kastas in i dina ögon vilket kan resultera i allvariga ögonskador. Innan elverktyget börjar användas skall alltid skyddsglasögon eller skyddsglasögon med sidoskydd och full ansiktsskydd användas när så behövs. Vi rekommenderar att en ansiktsmask med brett synfält används ovanpå glasögonen eller standard skyddsglasögon med sidoskydd.



För att minska risken för skador måste användaren läsa bruksanvisningen.

IPX4

Skydd mot stänkande vatten



Garanterad ljudeffektivitet.



Föremål som slungas ut kan studsas och orsaka skador på person eller egendom. Se till att alla personer och husdjur hålls på avstånd från trädtrimmern när den används.



Använd inte metallbladen på trädtrimmern



Tråddiameter - Diametern för trimmertråden av nylon



Denna produkt är i enlighet med gällande EG-direktiv.

V

Spänning

mm

Millimeter

kg

Kilogram

.../min

Per minut

SE

SPECIFIKATIONER

Spänning	56 V	
Hastighet utan belastning	Låg hastighetsinställning:	3500-4800 min ⁻¹
	Hög hastighetsinställning:	4000-5500 min ⁻¹
Trimmertrådmekanism	TRÅD-IQ-UTMATNING	
Trimmertrådtypep	2,4 mm nylontråd	
Klippbredd	40 cm	
Rekommenderad drifttemperatur	0°C - 40°C	
Rekommenderad förvarings-temperatur	-20°C - 70°C	
Vikt (utan batteripaket)	3,5 kg	
Uppmätt ljudeffektnivå L _{WA}	90 dB(A) K=2,5 dB(A)	
Ljudtrycksnivå vid operatörens öra L _{PA}	77 dB(A) K=3 dB(A)	
Garanterad ljudtrycksnivå L _{WA} (uppmätt enligt 2000/14/EG)	92 dB(A)	
Valuation of vibration a _n	Front handle	3,9 m/s ² K=1,5 m/s ²
	Rear handle	2,7 m/s ²
		K=1,5 m/s ²

- Det deklarerade totala vibrationsvärdet har uppmätts i enlighet med en standardtestmetod och kan användas för att jämföra ett verktyg med ett annat.
- Det deklarerade totala vibrationsvärdet kan också användas i en preliminär utvärdering av exponeringen.

MEDELANDE: Vibrationsutstrålningen under verklig användning av elverktyg kan skilja sig från det deklarerade värdet i vilken verktyget används. För att skydda användaren skall skyddshandskar och hörselskydd användas under faktiska användningsförhållandet.

BESKRIVNING

LÄRA KÄNNA DIN TRÅDTIMMER (bild A1)

1. Variabelt gasreglage
2. Bakre handtag
3. Låstunga
4. Hastighetsreglage 2 hastigheter
5. Hastighetsindikator

6. Höjdlåshylsa
7. Snabbjusterbart främre handtag
8. Snabbblåsspack
9. Gångjärn och låsbult
10. POWERLOAD™ knapp
11. Trimmerhuvud (med TRÅD-IQ-matning)
12. Trimmertråd
13. Låsflik
14. Trådkapningsblad
15. Skydd
16. Utmatningsmekanism
17. Spärrhake
18. Låsknapp för batteri
19. Insexnyckel
20. Axelremsögla
21. Axelrem

FÖRPACKNINGSLISTA (BILD A1)

MONTERING

⚠ VARNING: Om någon del är skadad eller saknas skall inte denna produkt användas innan delarna ersatts. Användning av denna produkt om den är skadad eller saknar delar kan resultera i allvarliga personskador.

⚠ VARNING: Försök inte att modifiera denna produkt eller skapa tillbehör som inte rekommenderas för användning med denna trådrimmer. Alla sådana ändringar eller modifieringar är missbruk och kan resultera i allvarliga situationer som kan leda till allvarliga personskador.

⚠ VARNING: För att förhindra oavsiktligt start som kan orsaka allvarliga personskador skall alltid batteripaketet tas bort från verktyget innan delar monteras.

VIKA UT SKAFTET

⚠ VARNING: Håll inte skaftet i skarven för att undvika att händerna eller fingrarna kläms.

⚠ VARNING: Försök inte att starta trimmern innan skaftet har låsts.

Vik ut skaftet försiktigt för att skydda kabeln på insidan och lås med skruven med den medföljande skiftnyckeln (bild B1 och B2).

MONTERA SKYDDET

⚠ VARNING: Använd alltid handskar vid montering eller utbyte av skyddet. Var försiktig med skärbladet inuti skyddet och skydda dina händer från att skadas av skärbladet.

⚠ VARNING: Använd aldrig maskinen utan att skyddet är korrekt på plats. Skyddet måste alltid vara monterat på verktyget för att skydda användaren! När skyddet är fastsatt, försök aldrig att ta bort eller justera det, om utbyte krävs måste det utföras av en kvalificerad servicetekniker!

Placera trimmern så att trimmerhuvudet är riktat uppåt (bild C1). Rikta in skyddets fästhål med monteringshålen och lås sedan fast skyddet på axelns bas med de två skruvarna (bild C2).

MEDELANDE: Se till att skyddet är korrekt fastsatt enligt bild C1 och C2, en omvänd fastsättning är mycket farligt!

MONTERA OCH JUSTERA DET FRÄME HANDTAGET

1. Lossa och ta bort snabbkopplingsspaken och vingmuttern från det främre handtaget (bild D1).

D1-1	Främre handtag	D1-2	Klämblock
D1-3	Vingmutter	D1-4	Snabbblåsspak

2. Skjut det främre handtaget på axeln inom monteringszonen mellan höjdlåshylsan och gångjärnet (bild D2).
3. Sätt in fästblocket i handtagsöppningen (bild D3).
4. Montera snabbkopplingsspaken och fördra vingmuttern. Se till att det främre handtaget är riktat uppåt och pekar mot den övre delen på det bakre handtaget (bild D4).
5. Dra snabbblåsspaken uppåt för att flytta/rotera det främre handtaget till ett bekvämt manöverläge och lås sedan snabbkopplingsspaken (bild D5).

MEDELANDE: Det främre handtaget ska endast placeras på axeln inom monteringszonen.

⚠ VARNING: Verktyget kan inte användas utan att det främre handtaget är korrekt fastsatt.

JUSTERA TRIMMERHÖJDEN

Om längden på skaftet inte är tillräckligt för arbetet kan du justera längden på skaftet genom denna höjdlåshylsa.

1. Ta bort batteripaket från trimmern.
2. För att justera trimmerhöjden (dvs. axellängden), öppna höjdlåshylsan och skjut sedan axeln uppåt eller ner till önskad höjd och säkra den på plats genom att trycka ner höjdlåshylsan (bild E).

E-1	Höjdlåshylsa
-----	--------------

MEDELANDE: Det främre handtaget kan behöva flyttas efter att trimmerhöjden har ändrats.

FÄSTA AXELREMMEN

För säker och bättre hantering, lägg remmen över ena axeln och över ryggen.

1. Lossa skruvvredet och insexmuttern från axelremsöglan (bild F1).

F1-1	Skruvvred	F1-2	Sexkantsmutter
F1-3	Axelremsögla		

2. Placera axelremsöglan i ett bekvämt arbetsläge inom installationszonen och fixera den sedan genom att dra åt skruvvredet och insexmuttern.
3. Tryck ned axelremmens karbinhake för att öppna den och fäst axelremmen i hålet på remöglan (bild F2).
4. Justera axelremmens längd och placering till ett bekvämt arbetsläge.

⚠ VARNING: När ett nödläge inträffar, ta omedelbart av den från axeln oavsett vilket läge som remmen är i.

Du bör inte använda en enkel axelrem och dubbel axelrem samtidigt med ryggsäcksbatteriet.

När du bär remmen får ingen annan bärbar enhet störa frigöringen och borttagningen av remmen.

DRIFT

⚠ VARNING: Använd alltid skyddsglasögon eller säkerhetsglasögon med sidoskydd tillsammans med hörselskydd. Om inte så görs kan det resultera i att föremål kastas in i ögonen och andra möjliga allvarliga skador.

Trimning: gräs och ogräs runt verandor, staket och altaner.

Klippning: gräs som är svårt att komma åt med en vanliga gräsklippare.

FÄST/TA LOSS BATTERIPAKETET

Använd endast EGO:s batteripaket och laddare som listas i bild A2.

SE

Ladda fullt innan första användning.

Fästa

Rikta in listerna på batteriet med monteringsspåren och tryck sedan ner batteripaketet tills du hör ett "klick" (bild G1).

Ta bort

Tryck in låsknappen för batteriet och dra sedan ut batteripaketet (bild G2).

HÅLLA TRÅDTRIMMERN (bild H)

För en säkrare och bättre användning, använd axelremmen över din axel. Justera axelremmens längd och placering till ett bekvämt arbetsläge – håll trimmern med båda händerna: en hand på det bakre handtaget och den andra handen på det främre handtaget.

MEDELANDE: Trimmerhuvudet är parallellt med marken vid ett lämpligt skäravstånd utan att operatören behöver böja sig.

⚠ VARNING: När ett nödläge inträffar, ta omedelbart av axelremmen från axeln oavsett vilket läge som remmen är i.

STARTA/STOPPA TRÅDTRIMMERN (bild I)

Starta

Flytta låstungan framåt och tryck sedan in det variabla gasreglaget.

Gasreglaget har en steglös hastighetsjustering. Ju mer du trycker in gasreglaget, desto högre blir hastigheten.

I-1	Låstunga	I-2	Variabelt gasreglage
-----	----------	-----	----------------------

Stoppa

Släpp det variabla gasreglaget.

HASTIGHETSJUSTERINGSFUNKTION (bild J)

Trådtrimmern har två hastighetsinställningar. Tryck på den 2-växlade omkopplare för att ändra skärhastigheten mellan låg och hög.

Hastighetsindikatorn visar aktiv hastighetsstatus: ett ljus för låg hastighet och två lampor för hög hastighet. Låghastighetsområdet ger bättre kontroll över trimmern och längre drifttid per laddning.

J-1	Hastighetsindikator	J-2	Hastighetsreglage hög/låg
-----	---------------------	-----	---------------------------

ANVÄNDA TRÅDTRIMMERN

Rensa området som ska beskäras före varje användning. Ta bort alla föremål som t.ex. stenar, krossat glas, spikar, trådar eller ledningar som kan slungas ut eller trasslas in

i skärenheten. Se till att inga barn, åskådare eller husdjur är inom området. Håll alla barn, åskådare och husdjur minst 15 meter bort. Det kan fortfarande finnas en risk att föremål slungas mot åskådare. Uppmana åskådare att använda skyddsglasögon. Om någon närmar sig dig, stoppa omedelbart motorn och skärenheten.

Kontrollera efter skadade/slitna delar före varje användning.

Kontrollera trimmerhuvudet, skyddet, axelremmen, axelremsöglan och det främre handtaget. Byt ut alla delar som är spruckna, skevade, böjda eller skadade på något sätt.

Trådskårbladet på kanten kan bli slött med tiden. Det rekommenderas att vässa det regelbundet med en fil eller byta ut det mot ett nytt skärblad.

⚠ VARNING: Använd alltid handskar när du monterar eller byter ut skyddet, eller när du vässar eller byter ut trådskårbladet. Notera skärbladets placering i skyddet och skydda dina händer från skador.

Kontrollera om trimmerhuvudet är blockerat

- För att förhindra blockering, håll trimmerhuvudet rent. Ta bort gräsklipp, löv, smuts och allt annat skräp före och efter varje användning.
- När en blockering inträffar, stoppa trådtrimmern och ta bort batteriet, ta sedan bort allt gräs som kan ha lindats runt motoraxeln eller trimmerhuvudet.

Rengör trimmern efter varje användning.

JUSTERA TRIMMERTRÅDENS LÄNGD

Tråd-IQ-matningstrimmerhuvudet är utrustat med avancerad teknik.

Om någon ände av trimmertråden slits mindre än 18 cm under trimningen kommer trimmerhuvudet att släppa trimmertråden automatiskt och den extra delen av skärlinjen kommer att skäras av av trådskårbladet (bild K).

MEDELANDE: Du behöver inte knacka på trimmerhuvudet för att släppa ut trimmertråden. Om du känner en liten skakning av trimmerhuvudet när du trimmar gräset är det trimmertråden som automatiskt släpps ut.

⚠ VARNING: Ta inte bort eller modifiera trådskårbladet för tråden. En för lång tråd får motorn att överhettas och kan resultera i allvarliga personskador.

BYTA UT TRÅDEN

MEDELANDE: Använd alltid den rekommenderade nylontrimmertråden med en diameter på 2,4 mm.

Om en annan tråd används än den som anges kan trådtrimmern överhettas eller skadas.

⚠ VARNING: Använd aldrig metallförstärkt tråd, kablar eller rep etc. Dessa kan gå av och bli farliga projektiler.

Trådtrimmern är utrustad med ett avancerat POWERLOAD™ system. Trimmertråden kan lindas på spolen helt enkelt genom att trycka på en enda knapp. Laddning av en full spole kan vanligtvis slutföras på 12 sekunder. **Undvik upprepad drift av lindningssystemet i snabb följd för att minska risken för motorskador.**

1. Ta ut batteripaketet.
2. Skär en bit trimmertråd 4 m lång.
3. Sätt in tråden i snörhålet och tryck på linan tills slutet av tråden kommer ut ur motsatt snörhål (bild L1).

L1-1	Trimmertråd	L1-2	Snörhål
------	-------------	------	---------

MEDELANDE: Det är inte nödvändigt att rikta in snörhålet för att sätta in trimmertråden. Om linan inte kan sättas in i snörhålet monterar du batteripaketet på trimmern och trycker sedan kort på POWERLOAD-knappen för att återställa lindningsmekanismen.

4. Ta bort batteriet om det har monterats på trimmern i steg 3.
5. Dra tråden från andra sidan tills lika långa längder på tråden visas på båda sidor av trimmerhuvudet (bild L2).
6. Installera batteripaketet i trådtrimmern.
7. Tryck på och håll kvar POWERLOAD-knappen för att starta trådlindningsmotorn. Tråden kommer att lindas på trimmerhuvudet kontinuerligt.
8. Titta noga på den kvarvarande trådens längd. Förbered dig på att släppa knappen så snart cirka 22 cm tråd finns kvar på varje sida. Tryck kort på trådladdningsknappen för att justera längden tills 18 cm av tråden visas på varje sida (bild L3).

MEDELANDE: Om tråden dras in i trimmerhuvudet av misstag, öppna huvudet och dra trimmertråden ut från spolen. Följ instruktionerna i sektionen **“BYTA TRIMMERTRÅD”** för att ladda trimmertråden igen.

LADDA TRIMMERTRÅDEN.

MEDELANDE: När trimmertråden fastnar i trimmerhuvudet måste du ta bort den återstående trimmertråden från trimmerhuvudet och följa stegen nedan för att ladda om tråden.

1. Ta ut batteripaketet.
2. Tryck in flikarna på övre locket och ta bort nedre lockmontaget på trimmerhuvudet genom att dra den rakt ut. (bild M1 och M2)

M1-1	Låsflik	M1-2	Nedre låsenhet
------	---------	------	----------------

3. Ta bort trimmertråden från trimmerhuvudet.
4. Håll trimmern i ena handen, använd den andra handen för att ta tag i den nedre höljet och rikta in öppningen i den nedre höljet mot låsflikarna. Tryck på nedre höljet tills det snäpper på plats, du kommer att höra ett distinkt klickljud (bild M3).

M3-1	Låsflik	M3-2	Spår
------	---------	------	------

5. Följ instruktionerna i sektionen **“BYTA TRÅD”** för att ladda trimmertråden igen.

BYTE TRIMMERHUVUD

⚠ VARNING: Om huvudet lossnar efter att det satts fast i dess läge, byt det omedelbart. Använd aldrig en trimmer med löst skärtilbehör. Byt omedelbart ut ett sprucket, skadat eller slitet skärhuvud, även om skadad är begränsad till ytliga sprickor. Dessa tillbehör kan splittras i hög hastighet och orsaka allvarliga personskador.

Lär känna trimmerhuvudet (bild N1)

N1-1	Nedre hölje	N1-2	Mutter
N1-3	Spolmontering	N1-4	Bussning

Ta bort trimmerhuvudet

1. Ta ut batteripaketet.
2. Tryck in flikarna på övre locket och ta bort nedre lockmontaget på trimmerhuvudet genom att dra den rakt ut (se bild M1 och M2)
3. Ta bort trimmertråden från trimmerhuvudet (bild N2).
4. Använd handskar. Ta tag med ena handen i spolenheten för att stabilisera det och använd andra handen för att hålla en skiftnyckel (medföljer inte) för att lossa muttern i riktning moturs (bild N3).

N3-1	Mutter	N3-2	Slagnyckel (ingår ej)
------	--------	------	-----------------------

SE

5. Ta bort spolenheten och bussningen från motoraxeln. Spara bussningen för senare montering.
6. Byt till ett nytt trimmerhuvud och montera enligt följande steg.

Installera det nya trimmerhuvudet

1. Montera bussningen i motoraxeln och montera spolenheten på plats. Använd en slagnyckel för att dra åt muttern.
2. Montera den nedre höljenheten (se bild M3).
3. Ladda om trimmertråden.
4. Starta verktyget för att se om trådtrimmern fungerar normalt. Om den inte gör det, återmontera såsom beskrivs ovan.

SE

UNDERHÅLL

⚠ VARNING: Vid service ska enbart identiska utbyteskomponenter användas. Användning av andra delar kan skapa risker eller orsaka produktskador. För att garantera en säker och pålitlig användning måste alla reparationer utföras av en kvalificerad servicetekniker.

⚠ VARNING: För att förhindra allvarliga personskador, ta ut batteripaketet före service, rengöring eller borttagning av material från enheten.

⚠ FÖRSIKTIGHET: Om ventilerna blockeras förhindras luften från att flöda in i motorhöljet, vilket kan resultera i överhettning eller skada på motorn.

RENGÖRA ENHETEN

- Rengör enheten med en fuktad trasa och ett mildt rengöringsmedel. Låt aldrig någon vätska komma in i verktyget; sänk aldrig ner någon del av verktyget i en vätska.
- Använd inte starka rengöringsmedel på plasthöljet eller handtaget. De kan skadas av vissa aromatiska oljor som t.ex. tall och citron, samt av lösningsmedel som t.ex. fotogen. Fukttork kan även utgöra en risk för elektriska stötar. Torka bort eventuell fukt med en mjuk och torr trasa.
- Använd en liten borste eller rengöringsborsten på en liten dammsugare för att rengöra luftventilerna på det bakre höljet.
- Se till att luftventilerna inte blockeras.

VÄSSA TRÅDSKÄRBLADET

⚠ VARNING: Skydda alltid dina händer genom att använda kraftiga handskar när underhåll utförs på trådsjärbladet.

1. Lossa de två skruvarna och ta bort trådsjärbladet från skyddet (bild O).

0-1	Skrivar	0-2	Trådsjärblad
-----	---------	-----	--------------

2. Fäst bladet i ett skruvstöd.
3. Fila försiktigt kanterna på bladet med en fintandad fil eller slipsten, var försiktigt så att kanten på skärkantens originalvinkel bibehålls.
4. Sätt tillbaka bladet på skyddet och fäst det på plats med de två skruvarna.

FÖRVARA ENHETEN

- Ta bort batteripaket från trimmern.
- Rengör verktyget noga innan förvaring.
- Förvara enheten på en torr, välventilerad plats, inlåst eller högt upp, utom räckhåll för barn. Förvara inte enheten på eller i anslutning till gödningsmedel, bensin eller andra kemikalier.

Skydda miljön



Kasta inte elektrisk utrustning, använt batteri och laddare i hushållssoptorna! Ta denna produkt till en auktoriserad återvinnare och gör den tillgänglig för separat insamling. Elektriska verktyg måste returneras till en miljöanpassad återvinningsanläggning.

FELSÖKNING

PROBLEM	ORSAK	LÖSNING
Trådtrimmern startar inte.	<ul style="list-style-type: none"> ■ Batteripaketet är inte monterat på trimmern. ■ Ingen elektrisk kontakt mellan trimmern och batteriet. ■ Batteripaketet är helt tomt. ■ Avstängningsbrytaren flyttas inte framåt innan utlösaren med variabelt varvtal trycks ned. ■ Motoraxeln eller trimmerhuvudet är intrasslat i gräs. 	<ul style="list-style-type: none"> ■ Montera batteripaketet på trimmern. ■ Ta ut batteriet, kontrollera kontaktarna och sätt sedan tillbaka batteripaketet. ■ Ladda batteripaketet. ■ Flytta låstungan framåt och tryck sedan in det variabla gasreglaget. ■ Ta bort gräset från motoraxeln och trimmerhuvudet.
Trådtrimmern stannar under användning.	<ul style="list-style-type: none"> ■ Skyddet är inte monterat på trimmern, vilket resulterar i en för lång trimmertråd och överbelastning av motorn. ■ Kraftig trimmertråd används. ■ Batteripaketet eller trådtrimmern är för varm. ■ Batteripaketet är inte anslutet till verktyget. ■ Batteripaketet är helt tomt. 	<ul style="list-style-type: none"> ■ Ta ut batteripaketet och montera skyddet på trimmern. ■ Använd rekommenderad nylontrimmertråd med diameter 2,4 mm. ■ Kyl batteriet eller trådtrimmern. ■ Montera batteripaketet igen. ■ Ladda batteripaketet.
Trimmerhuvudet matar inte ut mer tråd.	<ul style="list-style-type: none"> ■ Motoraxeln eller trimmerhuvudet är intrasslat i gräs. ■ Det finns inte tillräckligt med tråd på spolen eller tråden bryts från hålet. ■ Tråden är trasslad. ■ Tråden är alltför kort. ■ Kraftig trimmertråd används. ■ Trimmerhuvudet har funktionsfel 	<ul style="list-style-type: none"> ■ Stoppa trimmern, ta ut batteriet och rengör motoraxeln och trimmerhuvudet. ■ Ta ut batteriet och byt ut trimmertråden; följ instruktionerna i avsnittet "BYTA UT TRÅDEN" i denna bruksanvisning. ■ Ta ut batteriet, ta bort tråden från trimmerhuvudet och linda in den igen; följ instruktionerna i avsnittet "LADDA TRIMMERTRÅDEN" i denna bruksanvisning. ■ Ta ut batteriet och dra i tråden manuellt medan trimmerhuvudet trycks in och släpps upp. ■ Använd rekommenderad nylontrimmertråd med diameter 2,4 mm. ■ Kontakta EGO kundtjänst för hjälp.
Trimmerhuvudet fortsätter att släppa ut tråd automatiskt.	<ul style="list-style-type: none"> ■ Lätt trimmertråd används. 	<ul style="list-style-type: none"> ■ Använd rekommenderad nylontrimmertråd med diameter 2,4 mm.

SE

PROBLEM	ORSAK	LÖSNING
Gräs lindar sig runt trimmerhuvudet och motorhöljet.	<ul style="list-style-type: none"> Skära högt gräs i marknivå 	<ul style="list-style-type: none"> Skär högt gräs nerifrån och upp, kapa inte mer än 20 cm per svep för att undvika grästrassel.
Bladet skär inte av träden.	<ul style="list-style-type: none"> Skärbladet för trådkapning längst ut på skyddet har blivit slött. 	<ul style="list-style-type: none"> Följ instruktionerna för att vässa skärbladet med en fil eller byt ut det mot ett nytt blad.
Spricker på trimmerhuvudet	<ul style="list-style-type: none"> Trimmerhuvudet är slitet. 	<ul style="list-style-type: none"> Byt trimmerhuvudet omedelbart, följ sektionen ; följ instruktionerna i sektionen "BYTA TRIMMERHUVUD" i denna bruksanvisning.
<p>SE</p> <p>Trimmertråden kan inte lindas korrekt runt trimmerhuvudet.</p>	<ul style="list-style-type: none"> Felaktig trimmertråd används. Grässkräp eller smuts har ackumulerats i trimmerhuvudet och blockerar trådspolens rörelser. Motorn är överhettad på grund av upprepade hantering av trådlindningssystemet. Låg batterikapacitet Tråden lindas inte in i spolenheten. Trimmerhuvudet är defekt. 	<ul style="list-style-type: none"> Vi föreslår att du använder EGO ursprungliga nylontrimmertråd. Om EGO nylontråd används och problemet kvarstår, ring EGO kundtjänst för råd. Ta bort batteripaketet, öppna trimmerhuvudet och rengör det noga. Låt trådtrimmern arbeta utan belastning i några minuter för att kyla motorn, försök sedan att ladda tråden igen. Ladda batteriet Dra ut tråden och sätt tillbaka den. Kontakta EGO kundtjänst för hjälp.
Trimmertråden kan inte passera genom trimmerhuvudet när tråden sätts i.	<ul style="list-style-type: none"> Trimmertråden är splittrad eller böjd i änden. 	<ul style="list-style-type: none"> Skär bort den slitna änden av tråden och sätt in den igen.

GARANTI

EGO GARANTIPOLICY

Besök webbsidan egopowerplus.eu för fullständiga villkor för EGO garantipolicy.

LUE KAIKKI OHJEET!



LUE KÄYTTÖOPAS



Turvallisuushälytys



Käytä silmiensuojainta – Käytä aina suojalaseja, joissa on sivusuojat, ja koko kasvat peittävää suojaa, kun käytät laitetta.



Käytä kuulosuojaimia – Käytä aina kuulosuojaimia, kun käytät laitetta.



Vanhoja sähkölaitteita ei saa hävittää kotitalousjätteen mukana. Vie laite val-tuutettuun kierrätyslaitokseen.



Pidä turvaväli – Koneen ja sivullisten välisen etäisyyden on oltava vähintään 15 metriä



Leikkuuleveys – Siimaleikkurin maks. leikkuuleveys



Irrota akku siimaleikkurista ennen huolto- tai puhdistustöiden suorittamista



Tämä tuote vastaa sovellettavaa UK-lainsäädäntöä.

A Ampeeri

cm Senttimetri

☐ Tasavirta

TURVALLISUUSYMBOLIT

Minkä tahansa sähkötyökalun käyttö saattaa aiheuttaa vierasesineiden sinkoutumisen silmiin, mikä voi aiheuttaa vakavia silmävammoja. Käytä aina suojalaseja, joissa on sivusuojat, ja tarvittaessa koko kasvat peittävää suojaa, kun käytät sähkötyökaluja. Silmälasien päällä suosittelemme käytettäväksi suojamaskia, jossa on laaja näkökenttä, tai tavallisia suojalaseja, joissa on sivusuojat.



Käyttäjän on luettava käyttöopas loukkaantumisvaaran vähentämiseksi.

IPX4

Suojaus roiskevedeltä



Taattu äänitehotaso.



Varo sinkoutuvia esineitä – Sinkoutuvat esineet voivat kimmota ja aiheuttaa henkilö- tai omaisuusvahingon. Varmista, että muut ihmiset ja lemmikit ovat etäällä siimaleikkurista, kun se on käytössä.



Älä käytä siimaleikkurissa metalliteriä



Siiman läpimitta – Nailonleikkuusiiman läpimitta



Tämä tuote vastaa sovellettavia EU-direktiivejä.

V Jännite


mm Millimetri

kg Kilogramma

... /min per minuutti

FI

TEKNISET TIEDOT

Jännite	56 V 	
Tyhjäkäyntinopeus	Alhaisen nopeuden alue: 3500–4800 min ⁻¹ Korkean nopeuden alue: 4000–5500 min ⁻¹	
Leikkuusiiman mekanismi	LINE-IQ-SYÖTTÖ	
Leikkuusiiman tyyppi	2,4 mm:n kierresiima nailonista	
Leikkuuleveys	40 cm	
Suosittelut käyttölämpötila	0–40 °C	
Suosittelut säilytyslämpötila	-20–70 °C	
Paino (ilman akkua)	3,5 kg	
Mitattu äänitehotaso L _{WA}	90 dB(A) K=2,5 dB(A)	
Äänenpaineen taso käyttäjän korvien tasolla L _{PA}	77 dB(A) K=3 dB(A)	
Taattu äänen tehotaso L _{WA} (mi- tattu 2000/14/EY:n mukaisesti)	92 dB(A)	
Tärinäarvo a _h	Etukahva	3,9 m/s ² K=1,5 m/s ²
	Takakahva	2,7 m/s ² K=1,5 m/s ²

- Ilmoitettu tärinän kokonaispäästöarvo on mitattu standarditestausten mukaisesti, ja sen avulla voidaan vertailla työkaluja keskenään;
- Ilmoitettua tärinän kokonaispäästöarvoa voidaan käyttää myös altistumisen alustavaan arviointiin.

HUOMAUTUS: Työkalun käytön aikana mitattu todellinen tärinäpäästöarvo voi poiketa ilmoitetusta kokonaispäästöarvosta työkalun käyttötavasta johtuen; käyttäjän suojaamiseksi tulee käyttää käsineitä ja kuulosuojaimia varsinaisissa käyttöolosuhteissa.

KUVAUS

TUNNE SIIMALEIKKURISI (kuva A1)

1. Portaaton nopeuden liipaisin
2. Takakahva
3. Lukituskieli
4. 2 nopeuden kytkin
5. Nopeuden merkivalo

6. Korkeuden lukituskaulus
7. Nopeasti säädettävä etukahva
8. Pikavapautusvipu
9. Sarana ja lukituspultti
10. POWERLOAD™-painike
11. Trimmerin pää (LINE-IQ-syötöllä)
12. Leikkuusiima
13. Vapautusuloke
14. Siiman leikkuuterä
15. Suojus
16. Poistomekanismi
17. Salpa
18. Akun vapautuspainike
19. Kuusiokoloavain
20. Olkahihnan silmukka
21. Olkahihna

PAKKAUSLUETTELO (KUVA A1)

KOKOAMINEN

VAROITUS: Jos jokin osa on vahingoittunut tai puuttuu, älä käytä tuotetta ennen kuin osat on vaihdettu. Tuotteen käyttö viroittuneilla tai puuttuvilla osilla voi aiheuttaa vakavan henkilövahingon.

VAROITUS: Älä yritä muuttaa tätä tuotetta tai käyttää siinä lisävarusteita, joita ei ole suunniteltu käytettäväksi tämän siimaleikkurin kanssa. Mikä tahansa tällainen muokkaus tai muutos on väärinkäyttö ja saattaa aiheuttaa vaarallisen tilan, joka saattaa johtaa vakavaan henkilövammaan.

VAROITUS: Poista akku koneesta aina, kun kokoat osia. Näin varmistat, ettei laite käynnisty vahingossa eikä aiheuta vakavia henkilövahinkoja.

VARREN AVAAMINEN

VAROITUS: Älä pidä vartta nivelkohdasta, jotta vältät käsien ja sormien jäämisen puristuksiin.

VAROITUS: Älä käynnistä leikkuria ennen kuin varsi on lukittu.

Taita varsi varovasti auki varmistuen, että kaapeli on varren sisällä ja lukitse varsi pultilla mukana tulevalla avaimella (kuva B1 ja B2).

SUOJUKSEN KIINNITTÄMINEN

VAROITUS: Käytä aina käsineitä, kun kiinnität tai vaihdat suojusta. Varo suojan terää. Huolehdi siitä, että suojan terä ei leikkaa käsiäsi.

VAROITUS: Älä koskaan käytä konetta ilman, että suojus on kunnolla paikallaan. Suojuksen on aina oltava koneessa käyttäjän suojaamiseksi! Kun suojus on kiinnitetty, älä poista tai säädä sitä. Jos suojuksen vaihtaminen on tarpeen, vain asiantunteva huoltoteknikko saa tehdä sen!

Aseta leikkuri siten, että leikkuupää on ylöspäin (kuva C1). Kohdista suojuksen kiinnitysauskot kokoonpanoaukkoihin ja lukitse suojus sitten varren tyveen kahdella ruuvilla (kuva C2).

HUOMAUTUS: Varmista, että suojus on paikallaan kuvien C1 ja C2 mukaisesti, käänteinen kiinnitys aiheuttaa suuren vaaran!

ETUKAHVAN KIINNITYS JA SÄÄTÄMINEN

1. Löysää ja poista pikavapautusvipu ja siipimutteri etukahvasta (kuva D1).

D1-1	Etukahva	D1-2	Puristuskaappale
D1-3	Siipimutteri	D1-4	Pikavapautusvipu

2. Työnnä etukahva varteen kiinnitysalueelle korkeuden lukituskauluksen ja saranan väliin (kuva D2).
3. Aseta puristuskaappale kahvan koloon (kuva D3).
4. Asenna pikavapautusvipu ja kiristä siipimutteri etukäteeseen. Varmista, että etukahva on ylöspäin ja osoittaa kohti takakahvan yläosaa (kuva D4).
5. Vedä pikavapautusvipua ylöspäin siirtääksesi/kiertääksesi etukahvan mukavaan käyttöasentoon ja lukitse sitten pikavapautusvipu (kuva D5).

HUOMAUTUS: Etukahva tulee sijoittaa varteen vain kiinnitysalueelle.

VAROITUS: Työkalua ei voi käyttää ilman, että etukahva on kiinnitetty turvallisesti.

TRIMMERIN KORKEUDEN SÄÄTÄMINEN

Jos varren pituus ei ole käyttöön sopiva, voit säätää varren pituutta korkeuden lukituskauluksella.

1. Irrota akku trimmeristä.
2. Jos haluat säätää trimmerin korkeutta (eli varren pituutta), avaa korkeuden lukituskaulus ja liu'uta sitten vartta ylös tai alas haluttuun korkeuteen, kiinnitä se paikalleen painamalla korkeuden lukituskaulusta (kuva E).

E-1	Korkeuden lukituskaulus
-----	-------------------------

HUOMAUTUS: Etukahva saattaa vaatia uuden sijoittamisen, jos trimmerin korkeutta on muutettu.

OLKAHIHNAAN KIINNITTÄMINEN

Turvallista ja parempaa käyttöä varten aseta hihna toisen olkapään yli ja selän poikki.

1. Löysää ruuvinnuppiä ja kuusiomutteriä olkahihnan silmukasta (kuva F1).

F1-1	Ruuvinnuppi	F1-2	Kuusiomutteri
F1-3	Olkahihnan silmukka		

2. Aseta olkahihnan silmukka mukavaan käyttöasentoon asennusalueella ja kiinnitä se sitten kiristämällä ruuvinnuppi ja kuusiomutteri.
3. Paina olkahihnan karabiinia avataksesi sen ja kiinnitä olkahihna hihnan silmukan reikään (kuva F2).
4. Säädä olkahihnan pituus ja sijoituskohta mukavaan käyttöasentoon.

VAROITUS: Kun on hätätilanne, ota hihna olaltasi välittömästi riippumatta hihnan asennosta.

Älä käytä yhden olan hihnaa ja kahden olan hihnaa samanaikaisesti.

Hihnaa käytettäessä mikään muu puettava vaate ei saa häiritä hihnan vapauttamista ja irrottamista.

KÄYTTÖ

VAROITUS: Käytä aina tavanomaisia tai sivusuojilla varustettuja suojalaseja sekä kuulosuojaimia. Tämän ohjeen laiminlyöminen saattaa aiheuttaa esineiden sinkoutumisen silmiin ja mahdollisen vakavan henkilövahingon.

Reunojen siistiminen: ruohon ja rikkaruohojen poistaminen terassin, aitojen ja laattojen ympäriltä.

Leikkaaminen: sellaisen ruohon leikkaaminen, johon on vaikea päästä käsiksi perinteisellä ruohonleikkurilla.

AKUN LIITTÄMINEN/POISTAMINEN

Käytä vain EGO:n akkuja ja latureita, jotka on lueteltu alla kuvassa A2

Lataa täyteen ennen ensimmäistä käyttökertaa.

Liittäminen

Aseta akun ulokkeet kiinnitysaukkoihin ja paina akkua alaspäin, kunnes kuulet "napsahduksen" (kuva G1).

Poistaminen

Paina akun vapautuspainiketta ja vedä akku ulos (kuva G2).

SIIMALEIKKURIN PITÄMINEN (kuva H)

Käytön turvallisuuden ja sujuvuuden takia laita olkahihna olan yli. Säädä olkahihnan pituus ja sijoituspaikka mukavaan käyttöasentoon – pidä trimmeriä molemmin käsin: toinen käsi takakahvassa ja toinen käsi etukahvassa.

HUOMAUTUS: Trimmeripään pitää olla maanpinnan suuntaisesti sopivalla leikkuuetäisyydellä ilman käyttäjän kumartumista.

VAROITUS: Kun on hätätilanne, ota olkahihna olaltasi välittömästi riippumatta hinnan asennosta.

SIIMALEIKKURIN KÄYNNISTÄMINEN/ SAMMUTTAMINEN (kuva I)

Käynnistäminen

Siirrä lukituskieli eteenpäin ja paina sitten portaattoman nopeuden liipaisinta.

Liipaisin säätää nopeuden portaattomasti. Mitä enemmän vedät liipaisinta, sitä kovempi nopeus on.

I-1	Lukituskieli	I-2	Portaattoman nopeuden liipaisin
-----	--------------	-----	---------------------------------

Pysäyttäminen

Vapauta portaattoman nopeuden liipaisin.

NOPEUDEN SÄÄTÖTOIMINTO (kuva J)

Siimaleikkurissa on kaksi eri nopeutta. Paina 2 nopeuden kytkintä vaihtaaksesi leikkausnopeutta alhaisen ja korkean välillä.

Nopeuden merkkivalo näyttää aktiivisen nopeuden tilan: yksi valo alhaiselle nopeudelle ja kaksi valoa korkealle nopeudelle. Alhainen nopeusalue mahdollistaa trimmerin paremman hallinnan ja pidemmän käyttöajan latausta kohden.

J-1	Nopeuden merkkivalo	J-2	2 nopeuden kytkin
-----	---------------------	-----	-------------------

SIIMALEIKKURIN KÄYTTÖ

Tyhjennä leikattava alue ennen jokaista käyttökertaa. Poista kaikki esineet, kuten kivet, rikkinaiset lasit, naulat, rautalanka tai narut, jotka saattavat lentää tai sotkeutua leikkurin osiin. Tyhjennä alue lapsista, sivullisista ja lemmikkieläimistä. Pidä lapset, sivulliset ja lemmikkieläimet vähintään 15 metrin päässä. Sinkoutuvat esineet voivat silti vielä aiheuttaa vaaran sivullisille. Sivullisia tulee kannustaa pitämään suojalaseja. Jos joku lähestyy sinua, sammuta moottori ja leikkulaite välittömästi.

Tarkasta ennen jokaista käyttöä vaurioituneiden/ kuluneiden osien varalta.

Tarkista trimmerin pää, suojus, olkahihna, olkahihnan silmukka ja etukahva. Vaihda murtuneet, vääntyneet, taipuneet tai muulla tavoin vaurioituneet osat.

Suojuksen reunassa oleva siimaleikkurin terä voi tylsyä ajan myötä. Suosittelemme, että teroitat sen määräajoin viillalla tai vaihdat sen uuteen terään.

VAROITUS: Käytä aina käsineitä, kun asennat suojusta tai teroitat terää tai vaihdat siiman leikkuuterän. Huomioi terän sijainti suojuksessa ja suojele käsiäsi loukkaantumisilta.

Tarkista, onko leikkuupää tukkeutunut

- Tukosten estämiseksi pidä leikkuupää puhtaana. Poista ruohonleikkujätteet, lehdet, lika ja muut kertyneet roskat ennen ja jälkeen jokaisen käyttökerran.
- Kun tukos tapahtuu, pysäytä siimaleikkuri ja poista akku ja poista sitten ruoho, joka on saattanut kietoutua moottorin karan tai leikkuupään ympärille.

Puhdista leikkuri jokaisen käyttökerran jälkeen.

LEIKKUUSIIMAN PITUUDEN SÄÄTÄMINEN

Line-IQ-syötöllä varustetussa trimmerin päässä on edistyksestä tekniikkaa.

Jos leikkuusiiman jompikumpi pää kuluu alle 18 cm:n pituuden trimmauksen aikana, trimmerin pää vapauttaa leikkuusiiman automaattisesti ja leikkuusiiman ylimääräisen osan katkaisee siiman leikkuuterä (kuva K).

HUOMAUTUS: Sinun ei tarvitse napauttaa trimmerin päätä leikkuusiiman vapauttamiseksi. Jos tunnet trimmerin päässä pientä värinää ruohoa leikattaessa, leikkuusiimaa vapautuu automaattisesti.

VAROITUS: Älä poista siimaleikkurin teräkokooppausta tai muuta sitä. Ylimääräinen siiman pituus aiheuttaa moottorin ylikuumentumisen ja voi aiheuttaa vakavan henkilövahingon.

SIIMAN VAIHTAMINEN

HUOMAUTUS: Käytä aina suositeltua nailonleikkuusiimaa, jonka halkaisija on 2,4 mm.

Muunlaisen siiman käyttäminen saattaa aiheuttaa työkalun kuumentumisen tai vaurioitumisen.

VAROITUS: Älä ikinä käytä metallilla vahvistettua siimaa, rautalankaa tai narua yms. Ne saattavat katketa ja muodostaa vaarallisia ammuksia.

Siimaleikkuri on varustettu edistyksellisellä POWERLOAD™-järjestelmällä. Leikkuusiima kelautuu

kelalle helposti yhtä painiketta painamalla. Kelan lataaminen täyteen voidaan yleensä suorittaa 12 sekunnissa. **Vältä kelausjärjestelmän toistuvaa käyttöä nopeassa tahdissa peräkkäin. Näin vältät mahdolliset moottorivauriot.**

- Poista akku.
- Leikkaa yksi 4 metrin kappale leikkuusiimaa.
- Aseta siima silmukkaan ja työnnä siimaa, kunnes siiman pää tulee ulos vastakkaisesta silmukasta (kuva L1).

L1-1	Leikkuusiima	L1-2	Silmukka
------	--------------	------	----------

HUOMAUTUS: Silmukoita ei tarvitse kohdistaa leikkuusiiman asettamiseksi. Jos siimaa ei voi asettaa silmukkaan, asenna akku trimmeriin ja paina sitten POWERLOAD-painiketta lyhyesti nollataksesi kelausmekanismin.

- Poista akku, jos se on asennettu trimmeriin vaiheessa 3.
- Vedä siimaa toiselta puolelta, kunnes kummallakin puolella trimmeripäätä on yhtä paljon siimaa (kuva L2).
- Asenna siimaleikkuriin akku.
- Pidä POWERLOAD-painiketta painettuna siimankelausmoottorin käynnistämiseksi. Siima kelataan trimmeripäähän yhtäjaksoisesti.
- Tarkkaile jäljellä olevan siiman pituutta huolellisesti. Valmistaudu vapauttamaan painike heti, kun kummallakin puolella on jäljellä noin 22 cm siimaa. Paina siiman latauspainiketta lyhyesti ja säädä pituutta, kunnes kummallakin puolella näkyy 18 cm siimaa (kuva L3).

HUOMAUTUS: Mikäli siima on vedetty leikkuupäähän vahingossa, avaa pää ja vedä leikkuusiima pois kelalta. Noudata tämän käyttöoppaan kohdan ”**LEIKKUUSIIMAN LATAAMINEN**” ohjeita siiman uudelleen lataamisessa käsin.

LEIKKUUSIIMAN LATAAMINEN

HUOMAUTUS: Kun leikkuusiima jää kiinni trimmerin päähän, sinun täytyy poistaa jäljellä oleva leikkuusiima trimmerin päästä ja ladata uusi leikkuusiima alla olevien ohjeiden mukaan.

- Poista akku.
- Paina trimmerin pään vapautusulokkeita ja poista alemman suojuksen kokoonpano trimmerin päästä vetämällä sitä suoraan ulospäin (kuva M1 ja M2).

M1-1	Vapautusuloke	M1-2	Alemman suojuksen kokoonpano
------	---------------	------	------------------------------

- Poista leikkuusiima trimmerin päästä.
- Pidä toisella kädellä trimmeristä ja toisella kädellä alemman suojuksen kokoonpanosta, kohdista alemman suojuksen kolot vapautusulokkeisiin. Paina alemman suojuksen kokoonpanoa, kunnes se asettuu paikalleen, jolloin kuulet napsahdavan äänen (kuva M3).

M3-1	Vapautusuloke	M3-2	Aukko
------	---------------	------	-------

- Noudata leikkuusiiman uudelleen lataamisessa kohdan ”**SIIMAN VAIHTAMINEN**” ohjeita.

LEIKKUUPÄÄN VAIHTAMINEN

VAROITUS: Jos pää löystyy sen jälkeen, kun se on kiinnitetty paikalleen, vaihda se välittömästi. Älä ikinä käytä leikkuria, jonka leikkaava osa on löystynyt. Vaihda revennyt, vahingoittunut tai kulunut leikkauspää välittömästi, vaikka vahinko koostuisikin vain pinnallisista repeämistä. Vaurioituneet osat saattavat särkyä kovissa nopeuksissa ja aiheuttaa vakavan henkilövahingon.

Tunne trimmeripää (kuva N1)

N1-1	Alempi suojuus	N1-2	Mutteri
N1-3	Kelakokoonpano	N1-4	Holkki

Trimmerin pään irrottaminen

- Poista akku.
- Paina trimmerin pään vapautusulokkeita ja poista alempi suojuus trimmerin päästä vetämällä sitä suoraan ulospäin (katso kuvat M1 ja M2).
- Poista leikkuusiima trimmerin päästä (kuva N2).
- Käytä käsineitä. Tartu toisella kädellä kelakokoonpanoon ja vakauta se ja pidä toisella kädellä iskuväännintä (ei tule mukana), jonka avulla irrotat mutterin kääntämällä vastapäivään (kuva N3).

N3-1	Mutteri	N3-2	Iskuväännin (ei tule mukana)
------	---------	------	------------------------------

- Irrota kelakokoonpano ja holkki moottorin karasta. Säädä holkki myöhempiä asennusta varten.
- Asenna uusi leikkuupää seuraavien ohjeiden mukaisesti.

Uuden trimmerin pään asentaminen

- Asenna holkki moottorin karaan ja asenna

- kelkokoonpano paikalleen. Kiristä mutteri iskuvääntimellä.
2. Asenna alemman suojuksen kokoonpano (katso kuva M3).
 3. Lataa leikkuusiima.
 4. Käynnistä työkalu ja tarkasta toimiiko siimaleikkuri oikein. Jos ei, kokoa uudelleen kuten edellä on kuvattu.

HUOLTAMINEN

VAROITUS: Käytä huollon yhteydessä vain identtisiä varaosia. Muiden osien käyttö saattaa aiheuttaa vaaran tai laitteen vaurioitumisen. Pätevän huoltoteknikon tulee suorittaa kaikki korjaukset, jotta voidaan taata tuotteen turvallinen ja luotettava käyttö.

VAROITUS: Vakavan henkilövamman välttämiseksi poista akku työkalusta ennen kuin huollat tai puhdistat sitä tai poistat materiaalia laitteesta.

HUOMIO: Tukokset ilma-aukoissa estävät ilman virtaamisen moottorikehikkoon ja aiheuttavat ylikuumentumista tai moottorin vahingoittumisen.

LAITTEEN PUHDISTAMINEN

- Puhdista laite kostealla liinalla ja miedolla puhdistusaineella. Älä ikinä päästä vettä työkalun sisälle; älä koskaan upota mitään työkalun osaa nesteeseen.
- Älä käytä voimakkaita puhdistusaineita muoviseen kuoreen tai kahvaan. Ne saattavat vahingoittaa tietyistä aromaattisista öljyistä, kuten männystä ja sitruunasta, ja liuottimista, kuten kerosiineista. Kosteus voi myös aiheuttaa sähköiskun vaaran. Pyyhi kosteus pois pehmeällä, kuivalla liinalla.
- Käytä pientä harjaa tai pienen imuriharjan puhallusilmaa, kun puhdistat ilma-aukot kehikon takaosassa.
- Pidä tuuletusaukot esteettöminä

SIIMAN LEIKKUUTERÄN TEROITUS

VAROITUS: Suojaa aina kätesi paksuilla käsineillä silloin, kun teet huoltotoimenpiteitä siiman leikkuuterälle.

1. Löysää kaksi ruuvia ja irrota leikkuuterä suojuksesta (kuva O).

0-1	Ruuvit	0-2	Siiman leikkuuterä
-----	--------	-----	--------------------

2. Kiinnitä terä ruuvipenkkiin.

3. Viilaa terän leikkuureunoja hienohampaisella viilalla tai hiomakivellä. Säilytä leikkuureunan alkuperäinen kulma huolellisesti.
4. Aseta terä takaisin suojukseen ja kiinnitä se paikalleen kahdella ruuvilla.

LAITTEEN VARASTOINTI

- Irrota akku trimmeristä.
- Puhdista työkalu perusteellisesti ennen varastoon laittamista.
- Säilytä laite kuivassa, hyvin ilmastoidussa, lukitussa paikassa tai korkealla, poissa lasten ulottuvilta Älä säilytä laitetta lannoitteiden, bensiinin tai muiden kemikaalien päällä tai vieressä.

Ympäristönsuojelu



Älä hävitä sähkölaitteita, akkulatoria tai akku/ladattavia paristoja kotitalousjätteen seassa! Vie tämä tuote hyväksytyyn kierrätyspaikkaan tai anna se erilliseen keräilyyn. Sähkötyökalut tulee palauttaa asianmukaiseen ympäristöystävälliseen kierrätyslaitokseen.

VIANMÄÄRITYS

ONGELMA	SYY	RATKAISU
Siimaleikkuri ei käynnisty.	<ul style="list-style-type: none"> ■ Akkua ei ole liitetty leikkuriin. ■ Leikkurin ja akun välillä ei ole sähköliitintää. ■ Akku on tyhjä. ■ Lukituskytkintä ei siirretä eteenpäin ennen portaattoman nopeuden liipaisimen painamista. ■ Moottorin varsi tai leikkuupää on täynnä ruohoa. 	<ul style="list-style-type: none"> ■ Lisää akku leikkuriin. ■ Poista akku, tarkista kosketuskohdat ja asenna akku uudelleen paikalleen. ■ Lataa akku. ■ Siirrä lukituskieli eteenpäin ja paina sitten portaattoman nopeuden liipaisinta. ■ Poista ruoho moottorin karasta ja trimmerin päästä.
Siimaleikkuri pysähtyy kesken leikkuun.	<ul style="list-style-type: none"> ■ Suojusta ei ole kiinnitetty leikkuriin, mikä aiheuttaa liian pitkän leikkuusiiman ja moottorin ylikuormittumisen. ■ Leikkuusiima on liian paksu. ■ Akku tai siimaleikkuri on liian kuuma. ■ Akku on irronnut työkalusta. ■ Akku on tyhjä. 	<ul style="list-style-type: none"> ■ Poista akku ja kiinnitä suojus leikkuriin. ■ Käytä suositeltua nailonleikkuusiimaa, jonka halkaisija on 2,4 mm. ■ Jäähdytä akku tai siimaleikkuri. ■ Aseta akku uudelleen paikalleen. ■ Lataa akku.
Leikkuupää ei anna lisää siimaa.	<ul style="list-style-type: none"> ■ Moottorin varsi tai leikkuupää on täynnä ruohoa. ■ Kelassa ei ole riittävästi siimaa tai siima katkeaa pujotusreiän kohdalla. ■ Siima on solmussa rullassa. ■ Siima on liian lyhyt. ■ Leikkuusiima on liian paksu. ■ Trimmerin pään toimintahäiriö. 	<ul style="list-style-type: none"> ■ Pysäytä leikkuri, poista akku ja puhdista moottorin akseli ja leikkuupää. ■ Poista akku ja vaihda leikkuusiima; noudata tämän käyttöoppaan kohdan "SIIMAN VAIHTAMINEN" ohjeita. ■ Poista akku, poista siima trimmerin päästä ja kelaa se uudelleen; noudata tämän käyttöoppaan kohdan "LEIKKUUSIIMAN LATAAMINEN" ohjeita. ■ Poista akku ja vedä siimoja käsin samalla, kun vuorotellen painat ja vapautat trimmeripään. ■ Käytä suositeltua nailonleikkuusiimaa, jonka halkaisija on 2,4 mm. ■ Ota yhteyttä EGO:n asiakaspalveluun saadaksesi apua.
Trimmerin pää jatkaa siiman vapauttamista automaattisesti.	<ul style="list-style-type: none"> ■ Leikkuusiima on liian ohut. 	<ul style="list-style-type: none"> ■ Käytä suositeltua nailonleikkuusiimaa, jonka halkaisija on 2,4 mm.

FI

ONGELMA	SYY	RATKAISU
Ruoho kietoutuu leikkuupäähän ja moottorin kehikkoon.	<ul style="list-style-type: none"> Pitkän ruohon leikkaaminen maan tasalle 	<ul style="list-style-type: none"> Leikkaa pitkä ruohikko ylhäältä alas niin, että leikkaat kerralla korkeintaan 20 cm ruohon pituudesta, jotta estät ruohon kiertymisen.
Terä ei katkaise siimaa.	<ul style="list-style-type: none"> Suojuksen reunassa oleva siimaleikkurin terä on tylsynyt käytössä. 	<ul style="list-style-type: none"> Noudata siimaleikkurin terän teroitushojeita viilalla tai vaihda se uuteen terään.
Murtumat leikkuupäässä	<ul style="list-style-type: none"> Leikkuupää on kulunut. 	<ul style="list-style-type: none"> Poista trimmerin pää välittömästi, noudata käyttöoppaan kohdan "TRIMMERIN PÄÄN VAIHTAMINEN" ohjeita.
<p>FI</p> <p>Leikkuusiiman kelaaminen leikkuupäähän ei onnistu kunnolla.</p>	<ul style="list-style-type: none"> Käytetty leikkuusiima ei ole oikea. Ruohojäämiä tai liikaa on kerääntynyt leikkuupäähän ja estää siimakelan liikkumisen. Moottori on ylikuumentunut toistuvasti käytetyn siiman kiertöjärjestelmän takia. Alhainen akun varaustaso. Siimaa ei ole kierretty kelakokoonpanoon. Trimmerin pää on viallinen. 	<ul style="list-style-type: none"> Suosittelomme, että käytät EGO:n alkuperäistä nailonleikkuusiimaa, jos käytät EGO:n nailonsiimaa ja esiintyy ongelmia, ota yhteys EGO:n huoltoliikkeeseen. Poista akku, avaa leikkuupää ja puhdista se huolellisesti. Anna siimaleikkurin toimia ilman kuormaa muutaman minuutin ajan moottorin jäähdyttämiseksi. Lataa siima sitten uudestaan. Lataa akku Vedä siima ulos ja aseta se uudelleen. Ota yhteyttä EGO:n asiakaspalveluun saadaksesi apua.
Leikkuusiimaa ei saada kulkemaan leikkuupään läpi, kun siimaa kiinnitetään.	<ul style="list-style-type: none"> Leikkuusiima on katkennut tai taipuu lopussa. 	<ul style="list-style-type: none"> Katkaise siiman kulunut pää ja aseta siima uudelleen.

TAKUU

EGON TAKUUEHDOT

Verkkosivustolta egopowerplus.eu löydät EGO:n takuukäytännön täydelliset ehdot.

LES ALLE INSTRUKSJONER!



LES ALLE INSTRUKSJONER!



Sikkerhetsvarsel



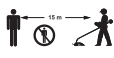
Bruk øyevern - Bruk alltid vernebriller eller vernebriller med sideskjerm og hel ansiktsskjerm når du bruker dette produktet.



Bruk hørselsvern—Bruk alltid hørselsvern når du bruker dette produktet.



Elektriske produkter skal ikke kastes sammen med husholdningsavfallet. Send til en autorisert gjenvinner.



Hold trygg avstand – Avstanden mellom maskinen og tilskuere skal være minst 15 m



Skjærebredde - Maks. skjærebredde på trådtrimmer



Koble batteripakken fra linjetrimmeren før du utfører vedlikeholds- eller rengjøringsarbeid



Dette produktet er i samsvar med gjeldende britisk lovgivning.

A Ampere

cm Centimeter

⋮ Likestrøm

SIKKERHETSSYMBOL

Bruk av hvilke som helst elektroverktøy kan føre til at fremmedlegemer blir kastet mot øynene, noe som kan gi alvorlige øyeskader. Før du begynner å bruke elektroverktøyet, skal du alltid ta på vernebriller eller vernebriller med sidebeskyttelse, og en full ansiktsskjerm der det trengs. Vi anbefaler en Wide Vision Safety Mask til bruk over briller, eller standard vernebriller med sidebeskyttelse.



Før å redusere risikoen for skader må brukeren lese bruksanvisningen.

IPX4

Beskyttelse mot vannsprut



Garantert lydeffektivå.



Pass på gjenstander som kastes – Gjenstander som kastes kan rikosjettere og føre til personskade eller skade på eiendom. Sørg for at andre mennesker og kjæledyr holder seg borte fra linjetrimmeren når den er i bruk.



Ikke bruk metallbladene på linjetrimmeren



Linjediameter - Diameteren til nylon-skjærelinjen



Dette produktet er i samsvar med gjeldende EF-direktiver.

V Spenning

mm Millimeter

kg Kilogram

.../min Per minutt

NO

SPESIFIKASJONER

Spenning	56 V	
Hastighet uten belastning	Lavhastighetsområde: 3500-4800 min ⁻¹	
	Høyhastighetsområde: 4000-5500 min ⁻¹	
Skjærelinjemechanisme	LINJE-IQ MATING	
Trådtype	2,4 mm tvunnet nylontråd	
Kuttebredde	40 cm	
Anbefalt driftstemperatur	0°C - 40°C	
Anbefalt lagringstemperatur	-20°C - 70°C	
Vekt (uten batteripakke)	3,5 kg	
Målt lydeffektnivå L _{WA}	90 dB(A) K=2,5 dB(A)	
Lydtrykknivå ved brukerens øre L _{PA}	77 dB(A) K=3 dB(A)	
Garantert lydeffektnivå L _{WA} (målt i henhold til 2000/14/EC)	92 dB(A)	
Vibrasjonsnivå a _h :	Fronthåndtak	3,9 m/s ² K=1,5 m/s ²
	Bakre håndtak	2,7 m/s ² K=1,5 m/s ²

NO

- Den deklarererte totale vibrasjonsverdien er målt i samsvar med en standard testmetode og kan brukes til å sammenligne ett verktøy med et annet;
- Den deklarererte totale vibrasjonsverdien kan også brukes i en foreløpig vurdering av eksponering.

MERKNAD: Vibrasjonsutslippet under faktisk bruk av elektroverktøyet kan avvike fra den deklarererte verdien som verktøyet brukes i; For å beskytte brukeren, bør brukeren bruke hansker og hørselsvern under de faktiske bruksforholdene.

BESKRIVELSE

KJENN DIN LINJETRIMMER (Fig. A1)

1. Variabel hastighetsutløser
2. Bakre håndtak
3. Låsetunge
4. 2-trinns bryter
5. Hastighetsindikator
6. Høydelåsende krage

7. Hurtigjusterbart fronthåndtak
8. Hurtigutløserhendel
9. Hengsel og låsebolt
10. POWERLOAD™-knapp
11. Trimmerhode (med LINE-IQ-mating)
12. Skjærelinje
13. Slipp fanen
14. Linjeskjærende blad
15. Vakt
16. Utkastingsmekanisme
17. Klinke
18. Batteriutløserknapp
19. Sekskantnøkkel
20. Skulderremløkke
21. Skulderstropp

PAKKELISTE (FIG. A1)

MONTERING

ADVARSEL: Hvis noen av delene er skadet eller mangler, må du ikke bruke dette produktet før delene er byttet. Bruk av dette produktet dersom deler er skadet eller mangler, kan føre til alvorlige personskader.

ADVARSEL: Ikke forsøk å modifisere dette produktet eller lage tilbehør som ikke er anbefalt for bruk med denne linjetrimmeren. Enhver slik endring eller modifikasjon er misbruk og kan føre til en farlig tilstand som kan føre til mulig alvorlig personskade.

ADVARSEL: For å forhindre utilsiktet start som kan forårsake alvorlig personskade, må du alltid fjerne batteripakken fra maskinen når du monterer deler.

UFALLING AV SKAFTET

ADVARSEL: For å unngå å klemme hendene eller fingrene, ikke hold skaftet i leddet.

ADVARSEL: Ikke prøv å starte trimmeren før akselen er låst.

Brett akselen forsiktig ut, pass på at kabelen er inne i akselen og lås den med boltene med den medfølgende skiftenøkkelen (Fig. B1 & B2).

MONTERING AV VAKT

⚠ ADVARSEL: Bruk alltid hansker når du monterer eller bytter beskyttelse. Vær forsiktig med bladet på beskyttelsen og beskytt hendene dine mot å bli skadet av bladet.

⚠ ADVARSEL: Aldri bruk maskinen uten at vernet er godt på plass. Vekten må alltid være på maskinen for å beskytte brukeren! Når bladvernet sitter fast, må du ikke forsøke å fjerne eller justere det. Hvis det trengs å byttes, må dette gjøres av en kvalifisert fagperson!

Plasser trimmeren slik at trimmerhodet vender opp (fig. C1). Rett inn beskyttelsesmonteringsshellene med monteringsshellene og lås deretter beskyttelsen på akselbasen med de to skruene (fig. C2).

MERKNAD: Pass på at vernet er festet i henhold til Fig. C1 & C2, enhver omvendt fiksering vil medføre stor fare!

MONTERING OG JUSTERING AV FREMRÅDET

- Løsne og fjern hurtigutløerspaken og vingemutteren fra det fremre håndtaket (fig. D1).

D1-1	Fremre håndtak	D1-2	Klemblokk
D1-3	Vingemutter	D1-4	Hurtigutløerspak

- Skyv det fremre håndtaket inn på akselen innenfor monteringssonen mellom høydelåsekragen og hengslet (fig. D2).
- Sett klemmeblokken inn i håndtakssporet (fig. D3).
- Monter hurtigutløerspaken og trekk til vingemutteren. Pass på at det fremre håndtaket er plassert oppover og peker mot toppen av det bakre håndtaket (fig. D4).
- Trekk hurtigutløerspaken opp for å flytte/rotare det fremre håndtaket til en komfortabel betjeningsposisjon, og lås deretter hurtigutløerspaken (fig. D5).

MERKNAD: Det fremre håndtaket skal bare plasseres på akselen innenfor monteringssonen.

⚠ ADVARSEL: Verktøyet kan ikke brukes uten at det fremre håndtaket er sikkert festet.

JUSTERING AV TRIMMERHØYDEN

Hvis lengden på skaftet ikke er egnet for drift, kan du justere lengden på skaftet gjennom høydelåsekragen.

- Fjern batteripakken fra trimmeren.
- For å justere trimmerhøyden (dvs. skaftlengden),

åpne høydelåsekragen, og skyv deretter skaftet opp eller ned til ønsket høyde, og fest det på plass ved å trykke på høydelåsekragen (fig. E).

E-1	Høydelåsende krage
-----	--------------------

MERKNAD: Det kan hende at det fremre håndtaket må flyttes etter at trimmerhøyden er endret.

FESTE SKULDERREM

For sikker og bedre drift, legg stroppen over en av skuldrene og over ryggen.

- Løsne skruen og sekskantmutteren fra skulderstroppen (fig. F1).

F1-1	Skrue knott	F1-2	Sekskantmutter
F1-3	Bør stroppe løkke		

- Plasser skulderstroppen i en komfortabel arbeidsposisjon innenfor installasjonssonen, og fest den deretter ved å stramme skruen og sekskantmutteren.
- Trykk ned skulderreimkarabinkroken for å åpne den og fest skulderremmen til hullet på stroppløkke (fig. F2).
- Juster skulderremmens lengde og plassering til en komfortabel arbeidsstilling.

⚠ ADVARSEL: Når en nødsituasjon oppstår, ta den av skulderen umiddelbart, uansett hvilken vei stroppen er i.

Du bør ikke bruke enkelt-skulderremmen og dobbelt-skulderremmen samtidig.

Når du bærer stroppen, skal ingen andre klær forstyrre frigjøringen og fjerningen av stroppen.

OPERASJON

⚠ ADVARSEL: Bruk alltid vernebriller eller vernebriller med sidebeskyttelse, i tillegg til hørselsvern. Hvis du ikke gjør det, kan det føre til at ting blir kastet i øynene dine og andre mulige alvorlige skader.

Trimming: gress og ugress fra verandaer, gjerder og dekk.

Klipping: gress som er vanskelig å nå med en vanlig klipper.

FESTE/FRA BATTERIPAKKEN

Bruk kun med EGOs batteripakker og ladere oppført i Fig.A2

NO

Lad helt opp før første gangs bruk.

Å feste

Juster batteriribbene med monteringssporene og trykk batteripakken ned til du hører et "klikk" (fig. G1).

Å løсне

Trykk inn batteriutløserknappen og trekk ut batteripakken (fig. G2).

HOLDE LINJETRIMMER (Fig. H)

For sikker og bedre drift, ta på skulderremmen over skulderen. Juster skulderremmens lengde og plassering til en komfortabel betjeningsposisjon – hold trimmeren med begge hender: en hånd på det bakre håndtaket og den andre hånden på det fremre håndtaket.

MERKNAD: Trimmerhodet er parallelt med bakken med riktig klippeavstand uten at operatøren bøyer seg.

NO

⚠ ADVARSEL: Når en nødsituasjon oppstår, ta skulderstroppen av skulderen umiddelbart, uansett hvilken vei stroppen er på.

STARTE/STOPPE LINJETRIMMER (Fig. I)

Å starte

Flytt låsetungen fremover og trykk deretter på utløseren for variabel hastighet.

Utløseren er trinnløs hastighetsjustering. Jo mer du trekker opp avtrekkeren, jo høyere hastighet er det.

I-1	Låsetunge	I-2	Variabel hastighetsutløser
-----	-----------	-----	----------------------------

Å stoppe

Slipp utløseren for variabel hastighet.

HASTIGHETSJUSTERINGSFUNKSJON (Fig. J)

Linjetrimmeren har to hastighetsinnstillinger. Trykk på 2-trinnsbryteren for å endre skjærehastigheten mellom lav og høy.

Hastighetsindikatoren vil vise aktiv hastighetsstatus: ett lys for lav hastighet og to lys for høy hastighet. Det lave hastighetsområdet gir bedre kontroll over trimmeren og lengre driftstid per lading.

J-1	Hastighetsindikator	J-2	2-trinns bryter
-----	---------------------	-----	-----------------

BRUK LINJETRIMMER

Rydd området som skal kuttes før hver bruk. Fjern alle gjenstander, som steiner, knust glass, spiker, ståltråd eller tøyler som kan kastes eller vikle seg inn i skjærestyret. Rydd området for barn, tilskuere og kjæledyr. Hold som et minimum alle barn, tilskuere og kjæledyr minst 15 m

unna; det kan fortsatt være fare for tilskuere fra gjenstander som kastes. Tilskuere bør oppfordres til å bruke øyebeskyttelse. Hvis noen nærmer seg deg, så stopp motoren og skjæretilbehøret umiddelbart.

Kontroller om noen deler er ødelagte eller utslitte før bruk

Kontroller trimmerhodet, beskyttelsen, skulderremmen, skulderremsløyken og fronthåndtaket. Bytt ut alle deler som er sprukket, skjev, bøyd eller skadet på noen måte.

Linjeskjærebladet på kanten av vernet kan sløve over tid. Det anbefales at du jevnlig sliper den med en fil eller erstatter den med et nytt blad.

⚠ ADVARSEL: Bruk alltid hansker når du monterer eller skifter vernet eller når du sliper eller skifter skjærebladet. Legg merke til plasseringen av bladet på beskyttelsen og beskytt hendene dine mot skade.

Se etter blokkering av trimmerhodet

- For å unngå blokkering, hold trimmerhodet rent. Fjern gressklipp, løv, skitt og annet oppsamlet rusk før og etter hver bruk.
- Når blokkering skjer, stopp linjetrimmeren og fjern batteriet, og fjern deretter alt gress som kan ha pakket seg rundt motorakselen eller trimmerhodet.

Rengjør trimmeren etter hver bruk.

JUSTERING AV LENGDEN PÅ SKJÆRELINJEN

Line-IQ matetrimmerhodet er utstyrt med avansert teknologi.

Hvis en av ender av skjærelinjen slites mindre enn 18 cm under trimming, vil trimmerhodet frigjøre skjærelinjen automatisk, og den ekstra delen av skjærelinjen vil bli kuttet av av lineklippebladet (Fig. K).

MERKNAD: Du trenger ikke å banke på trimmerhodet for å frigjøre skjærelinjen. Hvis du kjenner en lett skjjelving på trimmerhodet når du trimmer gresset, er det klippelinjen som automatisk frigjøres.

⚠ ADVARSEL: Ikke fjern eller endre linjeskjærebladet. For lang ledningslengde vil føre til at motoren overopphetes og kan føre til alvorlig personskade.

LINJEBYTT

LEGG MERKE TIL: Bruk alltid den anbefalte nylonskjærelinjen med en diameter på 2,4 mm.

Bruk av en annen linje enn den som er spesifisert kan føre til at verktøyet overopphetes eller blir skadet.

⚠ ADVARSEL: Det må aldri benyttes metallforsterket tråd, wire, tau e.l. Disse kan brette og bli farlige prosjektiler.

Linjetrimmeren er utstyrt med et avansert POWERLOAD™ -system. Klippelinen kan vikles på spolen ved å trykke på en enkelt knapp. Lasting av en full spole kan vanligvis fullføres på 12 sekunder. **Unngå gjentatt drift av viklingsssystemet i rask rekkefølge for å redusere muligheten for motorskade.**

1. Ta ut batteripakken.
2. Klipp ett stykke skjærelinje 4 m lang.
3. Sett snøret inn i øyet og skyv snøret til enden av snøret kommer ut av det motsatte øyet (fig. L1).

L1-1	Skjærelinje	L1-2	Eyelet
------	-------------	------	--------

LEGG MERKE TIL: Det er ikke nødvendig å justere maljene for å sette inn skjærelinjen. Hvis ledningen ikke kan settes inn i øyet, monterer du batteripakken på trimmeren, og trykker deretter kort på POWERLOAD-knappen for å tilbakestille viklingsmekanismen.

4. Fjern batteripakken hvis den har blitt montert på trimmeren i trinn 3.
5. Trekk snoren fra den andre siden til like lange streker vises på begge sider av trimmerhodet (fig. L2).
6. Installer batteripakken på linjetrimmeren.
7. Trykk og hold inne POWERLOAD-knappen for å starte linjeviklingsmotoren. Linen vil bli viklet inn i trimmerhodet kontinuerlig.
8. Se nøye på gjenværende linjelengde. Forbered deg på å slippe knappen så snart det er igjen ca. 22 cm linje på hver side. Trykk kort på linjelasningsknappen for å justere lengden til 18 cm av linjen vises på hver side (fig. L3).

LEGG MERKE TIL: I tilfelle snøret trekkes inn i trimmerhodet ved et uhell, åpner du hodet og trekker skjæretråden ut av spolen. Følg avsnittet **“RE-LASTING AV SKJÆRELINJEN”** i denne håndboken for å laste inn snøret på nytt.

RE-LASTING AV SKJÆRELINJEN

LEGG MERKE TIL: Når skjærelinjen setter seg fast i trimmerhodet, må du fjerne den gjenværende skjærelinjen fra trimmerhodet og følge trinnene nedenfor for å laste snøen på nytt.

1. Ta ut batteripakken.

2. Trykk på frigjøringstappene på trimmerhodet og fjern den nedre dekselenheten på trimmerhodet ved å trekke den rett ut (fig. M1 og M2).

M1-1	Slipp fanen	M1-2	Nedre dekselenhet
------	-------------	------	-------------------

3. Fjern skjærelinjen fra trimmerhodet.
4. Hold den ene hånden i trimmeren, bruk den annen hånd til å ta tak i den nedre dekselenheten og juster sporene i den nedre dekselenheten med utløserklaffene. Trykk på den nedre dekselenheten til den klikker på plass, da vil du høre en tydelig klikklyd (fig. M3).

M3-1	Slipp fanen	M3-2	Spor
------	-------------	------	------

5. Følg instruksjonene i avsnittet **“UTSKIFTNING AV TRÅDEN”** for å laste inn kuttetråden.

UTSKIFTNING AV TRIMMERHODE

⚠ ADVARSEL: Hvis trimmerhodet løsner etter at du har festet det, må det byttes umiddelbart. Ikke bruk en kantklipper med skjæretillbehør som sitter løst. Bytt sprukket, skadet eller utslitt skjærehodet umiddelbart, selv om skaden er begrenset til overfladiske sprekker. Slikt tilbehør kan knuses i høy hastighet og medføre alvorlige skader.

Kjenn trimmerhodet (fig. N1)

N1-1	Nedre deksel	N1-2	Nøtt
N1-3	Spolemontering	N1-4	Bøssing

For å fjerne trimmerhodet

1. Ta ut batteripakken.
2. Trykk på frigjøringstappene på trimmerhodet og fjern det nedre dekselet på trimmerhodet ved å trekke det rett ut (se fig. M1 og M2).
3. Fjern skjærelinjen fra trimmerhodet (fig. N2).
4. Ha på hansker. Bruk den ene hånden til å ta tak i spolen for å stabilisere den, og bruk den andre hånden til å holde en slagknøkkel (ikke inkludert) for å løsne mutteren i retning mot klokken (fig. N3).

N3-1	Nøtt	N3-2	Slagnøkkel (ikke inkludert)
------	------	------	-----------------------------

5. Fjern spolen og bøssingen fra motorakselen. Ta vare på bøssingen for senere montering.
6. Bytt ut med et nytt trimmerhode og monter det i følgende trinn.

NO

For å installere det nye trimmerhodet

1. Monter bøsningen i motorakselen og monter spolen på plass. Bruk en slagnøkkel for å stramme mutteren.
2. Monter den nedre dekselenheten (se fig. M3).
3. Last skjærelinjen på nytt.
4. Start verktøyet for å se om linjetrimmeren vil fungere normalt. Hvis den ikke gjør det, må du sette den sammen på nytt som beskrevet over.

VEDLIKEHOLD

⚠ ADVARSEL: Når verktøyet trenger service, må bare identiske reservedeler benyttes. Bruk av andre deler kan skape fare eller forårsake produktskade. For å sikre trygg og pålitelig bruk må alle reparasjoner utføres av en kvalifisert fagperson.

NO

⚠ ADVARSEL: For å forhindre alvorlig personskade, fjern batteripakken fra verktøyet før service, rengjøring eller fjerning av materiale fra enheten.

⚠ OBS: Dersom ventilasjonsåpningene blokkeres, vil dette hindre luft fra å komme inn i motorhuset og resultere i overoppheting av eller skade på motoren.

RENGJØRING AV ENHETEN

- Rengjør apparatet med en fuktig klut og et mildt rengjøringsmiddel. La aldri væske trenge inn i verktøyet, og nedsenk aldri noen del av verktøyet i væske.
- Ikke bruk sterke vaskemidler på plastdeksel eller håndtak. Disse delene kan bli skadet av enkelte aromatiske oljer, som furu og sitron, og av løsemidler som parafin. Fukt kan også forårsake sjokk. Tørk av fuktigheten med en myk, tørr klut.
- Bruk en liten børste eller støvsugerbørste til å rengjøre luftventiler på bakre deksel.
- Hold alle luftventiler fri for hindringer.

SLIPING AV LINESKJÆREBLADET

⚠ ADVARSEL: Beskytt alltid hendene med solide hansker når du utfører vedlikehold på trådskjærebladet.

1. Løsne de to skruene og fjern linjeskjærebladet fra beskyttelsen (fig. 0).

0-1	Skruer	0-2	Trådkuttingsblad
-----	--------	-----	------------------

2. Fest bladet i en skrustikke.
3. Legg forsiktig på skjærekantene på bladet med

en tynn fil eller spissstein, og vær forsiktig med å opprettholde den opprinnelige skjærvinkelen.

4. Sett bladet på beskyttelsen og fest det på plass med de to skruene.

OPPBEVARING AV VERKTØYET

- Fjern batteripakken fra trimmeren.
- Rengjør verktøyet grundig før du setter det bort.
- Oppbevar enheten på et tørt, godt ventilert område, innelåst eller høyt oppe, utilgjengelig for barn. Unngå å oppbevare verktøyet på eller ved siden av gjødningsmidler, bensin eller andre kjemikalier.

Beskytt miljøet



Elektrisk utstyr, brukte batterier og batteriladere må ikke kastes i husholdningsavfallet! Ta med dette produktet til autorisert gjenvinning, og gjør det tilgjengelig for separat innsamling. Elektriske verktøy må returneres til et egnet resirkuleringsanlegg.

FEILSØKING

PROBLEM	ÅRSAK	LØSNING
Linjetrimmeren starter ikke.	<ul style="list-style-type: none"> ■ Batteripakken er ikke montert i kantklipperen. ■ Ingen elektrisk kontakt mellom kantklipperen og batteriet. ■ Batteripakken er utladet. ■ Låsebryteren flyttes ikke fremover før du trykker på utløseren for variabel hastighet. ■ Gress har festet seg rundt trimmerhodet. 	<ul style="list-style-type: none"> ■ Fest batteripakken til trimmeren. ■ Ta ut batteriet, sjekk kontaktene og sett inn batteripakken igjen. ■ Lad batteripakken. ■ Flytt låsetungen fremover og trykk deretter på utløseren for variabel hastighet. ■ Fjern gresset fra motorakselen og trimmerhodet.
Linjetrimmeren stopper mens du skjærer.	<ul style="list-style-type: none"> ■ Skjermen er ikke montert på kantklipperen, noe som resulterer i at tråden blir for lang, og at motoren blir overbelastet. ■ Tråden som brukes, er for tung. ■ Batteripakken eller linjetrimmeren er for varm. ■ Batteripakken er fjernet fra verktøyet. ■ Batteripakken er utladet. 	<ul style="list-style-type: none"> ■ Ta ut batteripakken og monter vernet på trimmeren. ■ Bruk anbefalt nylon skjærelinje med diameter 2,4 mm. ■ Avkjøl batteriet eller linjetrimmeren. ■ Sett inn batteripakken på nytt. ■ Lad batteripakken.
Trimmerhode vil ikke føre linje.	<ul style="list-style-type: none"> ■ Gress har festet seg rundt trimmerhodet. ■ Det er ikke nok tråd på spolen eller tråden går i stykker fra øyehullet. ■ Tråden er sammenfiltret. ■ Tråden er for kort. ■ Tråden som brukes, er for tung. ■ Trimmerhodefeil. 	<ul style="list-style-type: none"> ■ Stopp trimmeren, ta ut batteriet og rengjør motorakselen og trimmerhodet. ■ Ta ut batteriet og bytt ut skjærelinjen ved å følge avsnittet "BYTTE AV LINJE" i denne håndboken. ■ Ta ut batteriet; fjern snøret fra trimmerhodet og spole tilbake ved å følge avsnittet "RE-LASTING AV SKJÆRELINJEN" i denne håndboken. ■ Ta ut batteriet og trekk i linjene manuelt mens du vekselvis trykker ned og slipper trimmerhodet. ■ Bruk anbefalt nylon skjærelinje med diameter 2,4 mm. ■ Ring EGO kundeservice for å få hjelp.

NO

PROBLEM	ÅRSAK	LØSNING
Trimmerhodet fortsetter å frigjøre linjen automatisk.	<ul style="list-style-type: none"> ■ Lett skjærelinje brukes. 	<ul style="list-style-type: none"> ■ Bruk anbefalt nylon-skjærelinje med diameter 2,4 mm.
Gress er viklet rundt trimmerhodet og motorhuset.	<ul style="list-style-type: none"> ■ Klipping av høyt gress på bakkenivå 	<ul style="list-style-type: none"> ■ Klipp høyt gress ovenfra og ned, og fjern ikke mer enn 20 cm i hvert pass for å forhindre innpakning.
Bladet kutter ikke linjen.	<ul style="list-style-type: none"> ■ Trådskjærbladet på kanten av beskyttelsen er blitt sløv. 	<ul style="list-style-type: none"> ■ Følg instruksjonene for å slippe line-skjærbladet med en fil eller erstatte det med et nytt blad.
Sprekker på trimmerhodet	<ul style="list-style-type: none"> ■ Trimmerhodet er utslitt. 	<ul style="list-style-type: none"> ■ Skift ut trimmerhodet umiddelbart etter "BYTTE AV TRIMMERHODE" i denne håndboken.
<p>NO</p> <p>Klippetråden kan ikke vikles riktig inn i trimmerhodet.</p>	<ul style="list-style-type: none"> ■ Feil skjæretråd brukes. ■ Gressrester eller smuss har samlet seg i trimmerhodet og blokkerte bevegelsen til trådspolen. ■ Motoren er overopphetet på grunn av betjening av trådviklingsystemet gjentatte ganger. ■ Lav batterikapasitet ■ Linen er ikke viklet inn i spolen. ■ Trimmerhode er defekt. 	<ul style="list-style-type: none"> ■ Vi foreslår at du bruker EGO original nylon-skjærelinje. Hvis du bruker EGO nylonline og problemet vedvarer, vennligst ring EGO kundeservice for råd. ■ Ta ut batteriet, åpne trimmerhodet og rengjør det grundig. ■ La linjetrimmeren jobbe uten belastning i noen minutter for å avkjøle motoren, og prøv deretter å lade snøret på nytt. ■ Lade batteriet ■ Trekk ut ledningen og sett den inn igjen. ■ Ring EGO kundeservice for å få hjelp.
	<p>Klippetråden kan ikke føres gjennom trimmerhodet når tråden settes inn.</p>	<ul style="list-style-type: none"> ■ Kuttelinjen er delt eller bøyd på slutten.

GARANTI

EGO GARANTIPOLITIKK

Besøk nettstedet egopowerplus.eu for fullstendige vilkår og betingelser for EGO-garantipolicyen.

ПРОЧИТАЙТЕ ВСЕ ИНСТРУКЦИИ!



**ПРОЧИТАЙТЕ РУКОВОДСТВО
ПОЛЬЗОВАТЕЛЯ**



Предупреждение об опасности

При работе с данным устройством всегда используйте защиту для глаз или защитные очки с боковыми щитками и полнопрофильную защитную маску.



При использовании устройства всегда надевайте средства защиты органов слуха.



Неисправные электрические устройства нельзя выбрасывать вместе с бытовым мусором. Сдавайте их в авторизованные пункты сбора и утилизации.



Соблюдайте безопасную дистанцию. Расстояние между устройством и посторонними лицами должно составлять не менее 15 м.



Макс. ширина резания триммера с леской



Перед чисткой или обслуживанием извлеките из триммера с леской аккумулятор.



Данное изделие соответствует действующему законодательству Великобритании.

A Ампер

см Сантиметр

⎓ Постоянный ток

СИМВОЛЫ БЕЗОПАСНОСТИ

В результате работы электроинструмента в глаза могут попасть посторонние предметы, что приведет к серьезному повреждению глаз. Перед началом использования электроинструмента всегда надевайте защитную маску или защитные очки с боковыми щитками и полнопрофильную защитную маску (при необходимости). Поверх очков или стандартных защитных очков рекомендуется надевать безопасную маску с широким обзором.



Прочитайте руководство по эксплуатации, чтобы уменьшить риск получения травм.

IPX4

Защита от брызг воды



Гарантированный уровень звуковой мощности



Остерегайтесь отбрасываемых объектов. Отброшенные предметы могут отскочить и привести к травмам или повреждению имущества. Убедитесь, что другие люди и животные находятся на расстоянии от работающего триммера с леской.



Не используйте с данным триммером с леской металлические лезвия.



Диаметр нейлоновой режущей лески.



Соответствует основным требованиям стандартов безопасности Европейских директив.

V Напряжение

мм Миллиметр

кг Килограмм

об/мин В минуту

RU

ТЕХНИЧЕСКИЕ ХАРАКТЕРИСТИКИ

Напряжение	56 В $\overline{\text{---}}$	
Скорость работы без нагрузки	Диапазон низких скоростей: 3500–4800 мин ⁻¹	
	Диапазон высоких скоростей: 4000–5500 мин ⁻¹	
Механизм подачи режущей лески	LINE-IQ	
Тип режущей лески	Нейлоновая крученая леска 2,4 мм	
Ширина резания	40 см	
Рекомендуемая рабочая температура	От 0 до 40 °С	
Рекомендуемая температура хранения	От -20 до 70 °С	
Масса (без аккумулятора)	3,5 кг	
Измеренный уровень звуковой мощности L_{WA}	90 дБ (А)	K=2,5 дБ (А)
Уровень звукового давления на уши оператора L_{PA}	77 дБ (А)	K=3 дБ (А)
Гарантированный уровень звуковой мощности L_{WA} (измерен в соответствии с 2000/14/ЕС)	92 дБ (А)	
Значение вибрации a_h	Передняя рукоятка	3,9 м/с ² K=1,5 м/с ²
	Задняя рукоятка	2,7 м/с ²
		K=1,5 м/с ²

- Указанное общее значение вибрации было определено с помощью стандартного теста и может быть использовано для сравнения разных инструментов.
- Указанное общее значение вибрации также может использоваться для предварительной оценки уровня воздействия.

ПРИМЕЧАНИЕ. Реальное вибрационное воздействие электроинструмента может отличаться от указанного в зависимости от способа использования. В целях безопасности оператор должен надевать перчатки и средства защиты органов слуха во время использования устройства.

ОПИСАНИЕ

ЧАСТИ ТРИММЕРА С ЛЕСКОЙ (Рис. А1)

1. Рычаг регулировки скорости (курок)
2. Задняя рукоятка
3. Запорный язычок
4. Двухпозиционный переключатель скорости
5. Индикатор скорости
6. Муфта фиксации высоты
7. Передняя рукоятка с быстрой регулировкой
8. Быстроразъемный рычаг
9. Шарнир и стопорный болт
10. Кнопка POWERLOAD™
11. Головка триммера (с механизмом подачи LINE-IQ)
12. Режущая леска
13. Фиксатор
14. Лезвие для обрезки лески
15. Щиток
16. Выталкивающий механизм
17. Защелка
18. Кнопка извлечения аккумулятора
19. Шестигранный ключ
20. Петля наплечного ремня
21. Наплечный ремень

КОМПЛЕКТ ПОСТАВКИ (РИС. А1)

СБОРКА

⚠ ПРЕДУПРЕЖДЕНИЕ. Если какие-либо части повреждены или отсутствуют, не используйте устройство, пока они не будут установлены. Использование устройства в случае повреждения или отсутствия частей может привести к получению серьезной травмы.

⚠ ПРЕДУПРЕЖДЕНИЕ. Не пытайтесь изменить конструкцию триммера или использовать не рекомендованные для него дополнительные приспособления. Подобное изменение считается ненадлежащим использованием и способствует возникновению опасной ситуации, которая приведет к получению серьезной травмы.

⚠ ПРЕДУПРЕЖДЕНИЕ. Чтобы предотвратить случайное включение устройства и получение серьезной травмы, перед сборкой извлеките аккумулятор.

РАСКЛАДЫВАНИЕ ВАЛА

⚠ ПРЕДУПРЕЖДЕНИЕ. Во избежание защемления рук или пальцев не держите вал за шарнир.

⚠ ПРЕДУПРЕЖДЕНИЕ. Не пытайтесь запустить триммер до тех пор, пока вал не будет зафиксирован.

Осторожно разложите вал и убедитесь, что кабель находится внутри вала. Зафиксируйте вал болтом с помощью прилагаемого гаечного ключа (Рис. В1 и В2).

УСТАНОВКА ЩИТКА

⚠ ПРЕДУПРЕЖДЕНИЕ. Всегда надевайте перчатки при установке и демонтаже щитка. Остерегайтесь лезвия на щитке и берегите руки от порезов.

⚠ ПРЕДУПРЕЖДЕНИЕ. Никогда не используйте устройство без надежно установленного щитка. Щиток всегда должен быть установлен на устройство для защиты пользователя! Не пытайтесь снимать или регулировать установленный щиток. Если щиток необходимо заменить, эту работу должен выполнить квалифицированный специалист по обслуживанию!

Расположите триммер головкой вверх (Рис. С1). Совместите крепежные отверстия щитка с отверстиями для установки, а затем зафиксируйте щиток на основании вала при помощи двух винтов (Рис. С2).

ПРИМЕЧАНИЕ. Убедитесь, что щиток установлен так, как показано на Рис. С1 и С2. Любое другое положение может быть очень опасным!

УСТАНОВКА И РЕГУЛИРОВКА ПЕРЕДНЕЙ РУКОЯТКИ

- Ослабьте и снимите быстроразъемный рычаг и барашковую гайку с передней рукоятки (Рис. D1).

D1-1	Передняя рукоятка	D1-2	Зажимной блок
D1-3	Барашковая гайка	D1-4	Быстроразъемный рычаг

- Наденьте переднюю рукоятку на вал в пределах монтажной зоны между муфтой фиксации высоты и шарниром (Рис. D2).
- Вставьте зажим в углубление рукоятки (Рис. D3).
- Установите быстроразъемный рычаг и

предварительно затяните барашковую гайку. Убедитесь, что передняя рукоятка расположена вертикально и направлена к верхней части задней рукоятки (Рис. D4).

- Потяните быстроразъемный рычаг вверх, чтобы переместить или повернуть переднюю рукоятку в удобное рабочее положение, а затем зафиксируйте быстроразъемный рычаг (Рис. D5).

ПРИМЕЧАНИЕ. Передняя рукоятка должна располагаться на валу только в пределах монтажной зоны.

⚠ ПРЕДУПРЕЖДЕНИЕ. Устройство нельзя использовать без надежно зафиксированной передней рукоятки.

РЕГУЛИРОВКА ВЫСОТЫ ТРИММЕРА

Если длина вала не подходит для выполняемой работы, ее можно отрегулировать с помощью муфты фиксации высоты.

- Извлеките аккумулятор из триммера.
- Чтобы отрегулировать высоту триммера (т. е. длину вала), откройте муфту фиксации высоты и сдвиньте вал вверх или вниз на нужную высоту. Затем зафиксируйте его на месте с помощью муфты фиксации высоты (Рис. E).

E-1	Муфта фиксации высоты
-----	-----------------------

ПРИМЕЧАНИЕ. Возможно, после регулировки высоты триммера потребуется изменить положение передней рукоятки.

УСТАНОВКА НАПЛЕЧНОГО РЕМНЯ

Для более безопасной и эффективной работы наденьте ремень на одно плечо и через спину.

- Ослабьте зажимной винт и шестигранную гайку на петле наплечного ремня (Рис. F1).

F1-1	Зажимной винт	F1-2	Шестигранная гайка
F1-3	Петля наплечного ремня		

- Установите петлю наплечного ремня в удобное рабочее положение в пределах зоны установки, а затем закрепите ее с помощью зажимного винта и шестигранной гайки.
- Нажмите на карабин наплечного ремня, чтобы открыть его, и закрепите ремень в отверстии на петле для ремня (Рис. F2).

RU

4. Отрегулируйте длину и положение наплечного ремня.

⚠ ПРЕДУПРЕЖДЕНИЕ. В случае возникновения чрезвычайной ситуации немедленно снимите его с плеча любым способом.

Не используйте одинарный и двойной наплечные ремни одновременно.

При ношении ремня никакие другие носимые устройства не должны мешать освобождению и снятию ремня.

ИСПОЛЬЗОВАНИЕ

⚠ ПРЕДУПРЕЖДЕНИЕ. При работе с данным устройством всегда используйте защитные очки или защитные очки с боковыми щитками, а также средства защиты органов слуха. В противном случае выбрасываемые предметы могут попасть в глаза, что приведет к получению серьезной травмы.

Стрижка травы и сорняков около подъездов, заборов и настилов.

Скашивание травы, которую трудно удалить при помощи обычной газонокосилки.

УСТАНОВКА И СНЯТИЕ АККУМУЛЯТОРА

Используйте только аккумуляторы и зарядные устройства EGO, указанные на Рис. A2.

Перед первым использованием полностью зарядите аккумулятор.

Установка

Совместите ребра аккумулятора с крепежными отверстиями и вставьте аккумулятор до щелчка (Рис. G1).

Снятие

Нажмите кнопку фиксации аккумулятора и извлеките аккумулятор (Рис. G2).

ОБРАЩЕНИЕ С ТРИММЕРОМ С ЛЕСКОЙ (Рис. H)

Для более безопасной и удобной работы используйте наплечный ремень. Отрегулируйте длину и положение наплечного ремня. Возьмите триммер обеими руками за заднюю и переднюю рукоятки.

ПРИМЕЧАНИЕ. Головка триммера должна располагаться параллельно земле на таком расстоянии, при котором оператору не нужно тянуться и перегибаться.

⚠ ПРЕДУПРЕЖДЕНИЕ. В случае возникновения чрезвычайной ситуации немедленно снимите ремень с плеча любым способом.

ВКЛЮЧЕНИЕ И ВЫКЛЮЧЕНИЕ ТРИММЕРА С ЛЕСКОЙ (Рис. I)

Запуск

Переместите запорный язычок вперед и нажмите на курок.

Курок позволяет плавно регулировать скорость. Чем сильнее нажатие на курок, тем выше скорость.

I-1	Запорный язычок	I-2	Курок
-----	-----------------	-----	-------

Остановка

Отпустите курок.

ФУНКЦИЯ РЕГУЛИРОВКИ СКОРОСТИ (Рис. J)

Триммер с леской имеет два скоростных режима. Для выбора низкой или высокой скорости работы используйте двухпозиционный переключатель.

Выбранная скорость отображается с помощью индикаторов: для низкой скорости светится один индикатор, для высокой — два. Диапазон низких скоростей обеспечивает лучший контроль над триммером и более длительное время работы без подзарядки.

J-1	Индикатор скорости	J-2	Двухпозиционный переключатель скорости
-----	--------------------	-----	--

ИСПОЛЬЗОВАНИЕ ТРИММЕРА С ЛЕСКОЙ

Очищайте обрабатываемый участок перед каждым использованием инструмента. Удалите такие предметы, как камни, осколки стекла, гвозди, проволоку или веревки, которые могут запутаться в режущем приспособлении или которые оно может отбросить. На участке не должны находиться дети, посторонние и животные. Дети, посторонние и животные должны находиться на расстоянии не менее 15 м, так как во время работы могут отлететь предметы. Посторонние лица должны надевать защитные очки. В случае приближения посторонних лиц немедленно остановите двигатель и режущее приспособление.

Перед каждым использованием проверяйте устройство на наличие поврежденных и изношенных частей.

Проверьте головку триммера, щиток, наплечный

ремень, петлю наплечного ремня и переднюю рукоятку. Замените все треснувшие, деформированные, изогнутые или поврежденные части.

Лезвие для обрезки лески на краю щитка может время от времени затупляться. Рекомендуется периодически затачивать его напильником или заменять новым.

⚠ ПРЕДУПРЕЖДЕНИЕ. Всегда надевайте перчатки при установке или замене щитка, а также заточке или замене лезвия для обрезки лески. Обратите внимание на положение лезвия на щитке и берегите руки от порезов.

Проверка засорения головки триммера

- Во избежание засорения держите головку триммера в чистоте. Убирайте скошенную траву, листья, грязь и любой другой накопившийся мусор до и после каждого использования.
- Если произошло засорение, остановите триммер и извлеките аккумулятор, а затем удалите всю траву, которая могла намотаться на вал двигателя или головку триммера.

Очищайте триммер после каждого использования.

РЕГУЛИРОВКА ДЛИНЫ РЕЖУЩЕЙ ЛЕСКИ

Головка триммера оснащена передовой технологией Line-IQ.

Если во время стрижки какой-либо конец лески становится короче 18 см, головка триммера автоматически выпускает леску, и лишняя часть лески отрезается лезвием для обрезки лески (Рис. К).

ПРИМЕЧАНИЕ. Не нужно постукивать головкой триммера о поверхность, чтобы выпустить леску. Если при стрижке травы вы чувствуете легкое дрожание головки триммера, это означает, что леска автоматически выпускается.

⚠ ПРЕДУПРЕЖДЕНИЕ. Не демонтируйте и не изменяйте узел лезвия для обрезки лески. Слишком длинная леска может стать причиной перегрева двигателя и серьезных травм.

ЗАМЕНА ЛЕСКИ

ПРИМЕЧАНИЕ. Всегда используйте рекомендуемую нейлоновую леску диаметром 2,4 мм.

Использование другой лески может привести к перегреву или повреждению триммера.

⚠ ПРЕДУПРЕЖДЕНИЕ. Никогда не используйте усиленную металлом леску, проволоку, веревку и т. д. Части этих материалов могут отделяться и опасно разлетаться в стороны.

Триммер с леской оборудован усовершенствованной системой POWERLOAD™. Для наматывания лески на катушку достаточно нажать на кнопку. Полное наматывание катушки обычно занимает не более 12 секунд. **Чтобы уменьшить вероятность повреждения двигателя, не допускайте многократной работы системы намотки в быстрой последовательности.**

1. Извлеките аккумулятор.
2. Отрежьте кусок лески длиной 4 м.
3. Вставьте леску в ушко и протяните ее так, чтобы конец лески вышел из противоположного ушка (Рис. L1).

L1-1	Режущая леска	L1-2	Ушко
------	---------------	------	------

RU

ПРИМЕЧАНИЕ. При вставке лески нет необходимости выравнивать ушки. Если леску не удается вставить в ушко, установите аккумулятор на триммер, затем кратковременно нажмите кнопку POWERLOAD, чтобы сбросить механизм намотки.

4. Извлеките аккумулятор, если он был установлен на триммер при выполнении шага 3.
5. Вытяните леску с другой стороны таким образом, чтобы с обеих сторон головки триммера леска была одинаковой длины (Рис. L2).
6. Установите аккумулятор в триммер с леской.
7. Нажмите и удерживайте кнопку POWERLOAD, чтобы запустить мотор. Леска будет смотана в головку триммера.
8. Внимательно следите за длиной лески. Будьте готовы отпустить кнопку, как только с каждой стороны останется приблизительно 22 см лески. После этого отрегулируйте длину лески краткими нажатиями на кнопку загрузки, чтобы с каждого конца осталось по 18 см лески (Рис. L3).

ПРИМЕЧАНИЕ. Если вся леска оказалась случайно затянута в головку триммера, откройте головку и вытяните леску из катушки. Для регулировки лески выполните инструкции в разделе **УСТАНОВКА ЛЕСКИ** данного руководства.

УСТАНОВКА ЛЕСКИ

ПРИМЕЧАНИЕ. Если режущая леска застряла в головке триммера, необходимо удалить остатки лески из головки и выполнить следующие действия, чтобы снова установить леску.

1. Извлеките аккумулятор.
2. Нажмите на фиксаторы на головке триммера и потяните нижнюю крышку в сборе, чтобы снять (Рис. M1 и M2).

M1-1	Фиксатор	M1-2	Нижняя крышка в сборе
------	----------	------	-----------------------

3. Извлеките режущую леску из головки триммера.
4. Удерживая триммер одной рукой, другой рукой возьмитесь за нижнюю крышку и совместите пазы в нижней крышке с фиксаторами. Прижмите нижнюю крышку таким образом, чтобы она зафиксировалась на месте с характерным щелчком (Рис. M3).

M3-1	Фиксатор	M3-2	Прорезь
------	----------	------	---------

5. Инструкции по установке режущей лески см. в разделе **ЗАМЕНА ЛЕСКИ** данного руководства.

ЗАМЕНА ГОЛОВКИ ТРИММЕРА

⚠ ПРЕДУПРЕЖДЕНИЕ. Если головка шатается после установки на место, немедленно замените ее. Никогда не используйте триммер, если какие-либо его части плохо закреплены. Немедленно замените режущую головку, если она треснула, повреждена или изношена, даже если повреждение находится только на поверхности. Поврежденные элементы могут разрушиться на высокой скорости и нанести серьезные травмы.

Конструкция головки триммера (Рис. N1)

N1-1	Нижняя крышка	N1-2	Гайка
N1-3	Катушка	N1-4	Втулка

Снятие головки триммера

1. Извлеките аккумулятор.
2. Нажмите на фиксаторы на головке триммера и потяните нижнюю крышку, чтобы снять (Рис. M1 и M2).
3. Извлеките режущую леску из головки триммера (Рис. N2).

4. Наденьте перчатки. Одной рукой крепко удерживайте катушку, а другой рукой открутите гайку против часовой стрелки при помощи ударного гайковерта (не входит в комплект) (Рис. N3).

N3-1	Гайка	N3-2	Ударный гайковерт (не входит в комплект)
------	-------	------	--

5. Снимите с вала двигателя катушку и втулку. Сохраните втулку для последующей сборки.
6. Установите новую головку триммера с помощью следующих инструкций.

Установка новой головки триммера

1. Установите втулку на вал двигателя, затем установите на место катушку. Затяните гайку с помощью ударного гайковерта.
2. Установите нижнюю крышку в сборе (Рис. M3).
3. Вытяните леску.
4. Включите триммер с леской и убедитесь, что он работает нормально. В противном случае выполните сборку повторно в соответствии с приведенными выше инструкциями.

ОБСЛУЖИВАНИЕ

⚠ ПРЕДУПРЕЖДЕНИЕ. При ремонте используйте только идентичные запасные части. Использование других запасных частей может привести к возникновению опасной ситуации или повреждению устройства. Для обеспечения безопасности и надежности устройства его ремонт должен выполнять квалифицированный специалист.

⚠ ПРЕДУПРЕЖДЕНИЕ. Во избежание серьезных травм извлеките аккумулятор перед обслуживанием, чисткой или удалением материала из устройства.

⚠ ВНИМАНИЕ! Загрязнения в вентиляционных отверстиях могут помешать попаданию воздуха в корпус двигателя и привести к перегреву и повреждению двигателя.

ОЧИСТКА УСТРОЙСТВА

- Очищайте устройство с помощью влажной ткани и мягкого моющего средства. Никогда не допускайте попадания какой-либо жидкости внутрь инструмента и никогда не погружайте никакие части инструмента в жидкость.
- Не используйте активные моющие средства для очистки пластикового корпуса или рукоятки.

Они могут быть повреждены определенными ароматическими маслами, такими как хвойное и лимонное масла, а также растворителями, например керосином. Кроме того, наличие влаги может привести к поражению электрическим током. Протрите влажное место мягкой сухой тканью.

- С помощью маленькой щетки или небольшого пылесоса очистите вентиляционные отверстия на задней стороне корпуса.
- Следите за тем, чтобы вентиляционные отверстия не были засорены.

ЗАТОЧКА ЛЕЗВИЯ ДЛЯ ОБРЕЗКИ ЛЕСКИ

⚠ ПРЕДУПРЕЖДЕНИЕ. При выполнении любых работ по обслуживанию лезвия для обрезки лески всегда надевайте прочные перчатки.

1. Ослабьте два винта и снимите с щитка лезвие для обрезки лески (Рис. О).

O-1	Винты	O-2	Лезвие для обрезки лески
-----	-------	-----	--------------------------

2. Зафиксируйте лезвие в тисках.
3. Аккуратно заточите лезвие при помощи мелкозубчатого напильника или точильного камня, сохраняя оригинальный угол режущей кромки.
4. Установите лезвие на щиток и закрепите двумя винтами.

ХРАНЕНИЕ УСТРОЙСТВА

- Извлеките аккумулятор из триммера.
- Тщательно очистите инструмент перед хранением.
- Храните устройство в сухом, хорошо проветриваемом, закрытом или высоком месте, недоступном для детей. Не храните устройство рядом с удобрениями, бензином или другими химическими веществами.

Защита окружающей среды



Не выбрасывайте электроприборы, зарядные устройства и аккумуляторные батареи вместе с бытовыми отходами! Отправьте данное изделие на переработку в специализированное предприятие или сдайте его для раздельного сбора. Электроинструменты должны быть возвращены на перерабатывающее предприятие, не наносящее ущерба окружающей среде.

УСТРАНЕНИЕ НЕПОЛАДOK

ПРОБЛЕМА	ПРИЧИНА	РЕШЕНИЕ
Триммер с леской не запускается.	<ul style="list-style-type: none"> ■ Аккумулятор не установлен в триммер. ■ Нет электрического контакта между триммером и аккумулятором. ■ Аккумулятор разряжен. ■ Запорный язычок не был сдвинут вперед перед нажатием на курок. ■ Вал двигателя и головка триммера забились травой. 	<ul style="list-style-type: none"> ■ Установите аккумулятор в триммер. ■ Извлеките аккумулятор, проверьте контакты и установите его снова. ■ Зарядите аккумулятор. ■ Переместите запорный язычок вперед и нажмите на курок. ■ Удалите траву с вала двигателя или режущей головки.
<div style="background-color: black; color: white; padding: 2px 5px; display: inline-block; font-weight: bold;">RU</div> <p>Триммер с леской остановился во время работы.</p>	<ul style="list-style-type: none"> ■ Щиток не установлен на триммер, в результате чего леска стала очень длинной, и двигатель перегрелся. ■ Используется слишком толстая режущая леска. ■ Аккумулятор или триммер с леской перегрелись. ■ Аккумулятор не подключен к устройству. ■ Аккумулятор разряжен. 	<ul style="list-style-type: none"> ■ Извлеките аккумулятор и установите щиток на триммер. ■ Используйте рекомендованную нейлоновую леску диаметром 2,4 мм. ■ Дайте аккумулятору и триммеру с леской остыть. ■ Установите аккумулятор. ■ Зарядите аккумулятор.
Из головки триммера не вытягивается леска.	<ul style="list-style-type: none"> ■ Вал двигателя и головка триммера забились травой. ■ Недостаточно лески в катушке либо леска выскочила из отверстия. ■ Леска запуталась в катушке. ■ Леска слишком короткая. ■ Используется слишком толстая режущая леска. ■ Неисправность головки триммера. 	<ul style="list-style-type: none"> ■ Выключите триммер, извлеките аккумулятор и очистите вал двигателя и головку триммера. ■ Извлеките аккумулятор и замените режущую леску в соответствии с инструкциями в разделе ЗАМЕНА ЛЕСКИ данного руководства. ■ Извлеките аккумулятор, извлеките леску из головки триммера и намотайте ее заново в соответствии с инструкциями в разделе УСТАНОВКА ЛЕСКИ данного руководства. ■ Извлеките аккумулятор и вручную вытяните леску, нажимая и отпуская головку триммера. ■ Используйте рекомендованную нейлоновую леску диаметром 2,4 мм. ■ Обратитесь в службу поддержки клиентов EGO.

ПРОБЛЕМА	ПРИЧИНА	РЕШЕНИЕ
Головка триммера продолжает автоматически выпускать леску.	<ul style="list-style-type: none"> Используется слишком тонкая режущая леска. 	<ul style="list-style-type: none"> Используйте рекомендованную нейлоновую леску диаметром 2,4 мм.
Трава намоталась на головку триммера и корпус двигателя.	<ul style="list-style-type: none"> Стрижка высокой травы на уровне земли. 	<ul style="list-style-type: none"> Скашивайте высокую траву сверху вниз и срезайте не более 20 см за один раз, чтобы предотвратить подобные ситуации.
Лезвие не режет леску.	<ul style="list-style-type: none"> Лезвие для обрезки лески на краю щитка затупилось. 	<ul style="list-style-type: none"> Заточите лезвие для обрезки лески напильником или замените в соответствии с инструкциями.
Трещины на головке триммера.	<ul style="list-style-type: none"> Головка триммера изношена. 	<ul style="list-style-type: none"> Немедленно замените головку триммера в соответствии с инструкциями в разделе ЗАМЕНА ГОЛОВКИ ТРИММЕРА данного руководства.
Леска не сматывается в головку триммера.	<ul style="list-style-type: none"> Используется неподходящая режущая леска. Скопление травы или грязи в головке триммера блокирует движение катушки. Двигатель перегрелся из-за многократного включения системы автоматического сматывания лески. Низкий заряд аккумулятора Леска не намотана на катушку. Головка триммера повреждена. 	<ul style="list-style-type: none"> Мы рекомендуем использовать оригинальную нейлоновую леску EGO. Если проблема возникает при использовании нейлоновой лески EGO, обратитесь в службу поддержки клиентов EGO. Извлеките аккумулятор, откройте головку триммера и тщательно очистите ее. Дайте триммеру с леской поработать без нагрузки в течение нескольких минут, чтобы двигатель остыл, затем попробуйте еще раз установить леску. Зарядите аккумулятор. Вытяните леску и снова вставьте ее. Обратитесь в службу поддержки клиентов EGO.
Леска не может быть пропущена через головку триммера при установке лески.	<ul style="list-style-type: none"> Леска разделена или согнута на конце. 	<ul style="list-style-type: none"> Обрежьте изношенный конец лески и установите ее снова.

RU

ГАРАНТИЯ

ГАРАНТИЙНАЯ ПОЛИТИКА EGO

Посетите веб-сайт egopowerplus.eu, чтобы ознакомиться со всеми условиями и сроками гарантийной политики EGO.

PRZECZYTAJ WSZYSTKIE INSTRUKCJE!

SYMBOL BEZPIECZEŃSTWA



PRZECZYTAJ INSTRUKCJĘ OBSŁUGI

Praca elektronarzędziami może spowodować wyrzucenie ciał obcych w oczy użytkownika, co może doprowadzić do poważnych urazów oczu. Przed rozpoczęciem pracy elektronarzędziem należy zawsze założyć gogle ochronne lub okulary z osłonami bocznymi, a w stosownych przypadkach także pełną osłonę na twarz. Zalecamy nakładanie na zwykłe okulary maski zabezpieczającej o szerokim polu widzenia lub stosowanie standardowych okularów zabezpieczających z osłonami bocznymi.



Ostrzeżenie dotyczące bezpieczeństwa



Aby ograniczyć ryzyko urazów, użytkownik musi przeczytać instrukcję operatora.



Noś środki ochrony oczu – Podczas używania produktu należy zawsze nosić gogle ochronne lub okulary ochronne z osłonami bocznymi, a także pełną osłonę na twarz.

IPX4

Ochrona przed zachlapaniem wodą



Noś środki ochrony słuchu – Podczas pracy urządzeniem należy zawsze nosić ochronniki słuchu.



Gwarantowany poziom mocy akustycznej.



Zużytych wyrobów elektrycznych nie należy wyrzucać razem ze zwykłymi odpadami domowymi. Należy je oddać do autoryzowanego punktu recyklingu.



Uwaga na wyrzucane przedmioty – Przedmioty wyrzucone w powietrze mogą się odbić rykoszetem i doprowadzić do urazów lub strat materialnych. Należy zawsze pilnować, aby inne osoby i zwierzęta domowe pozostawały w z dala od pracującej podkaszarki.



Zachowaj bezpieczną odległość – Odległość między narzędziem a osobami postronnymi powinna wynosić co najmniej 15 m



W podkaszarce nie wolno używać metalowych ostrzy



Szerokość koszenia – maks. szerokość koszenia podkaszarką



Średnica żyłki – średnica nylonowej żyłki tnącej



Przed przystąpieniem do czynności konserwacyjnych lub czyszczenia od podkaszarki należy odłączyć akumulator



Ten produkt jest zgodny z obowiązującymi dyrektywami WE.

UK
CA

Produkt jest zgodny z dyrektywami obowiązującymi w Wielkiej Brytanii.

V

Napięcie

A

Ampery

mm

Milimetr

cm

Centymetr

kg

Kilogram

≡

Prąd stały

... /min

Na minutę

SPECYFIKACJA

Napięcie	56 V ---	
Prędkość bez obciążenia	Zakres małej prędkości: 3500-4800 min ⁻¹	
	Zakres dużej prędkości: 4000-5500 min ⁻¹	
Mechanizm żyłki tnącej	SYSTEM PODAWANIA LINE-IQ	
Typ żyłki tnącej	Żyłka nylonowa 2,4 mm	
Szerokość koszenia	40 cm	
Zalecana temperatura użytkowania	0°C - 40°C	
Zalecana temperatura przechowywania	-20°C - 70°C	
Ciężar (bez akumulatora)	3,5 kg	
Zmierzony poziom mocy akustycznej L _{WA}	90 dB(A) K=2,5 dB(A)	
Poziom ciśnienia akustycznego na wysokości ucha operatora L _{PA}	77 dB(A) K= 3 dB(A)	
Gwarantowany poziom mocy akustycznej L _{WA} (zmierzony zgodnie z dyrektywą 2000/14/WE)	92 dB(A)	
Szacunkowe drgania a _n :	Uchwyt przedni	3,9 m/s ² K= 1,5 m/s ²
	Uchwyt tylny	2,7 m/s ² K= 1,5 m/s ²

- Deklarowana całkowita wartość drgań została zmierzona zgodnie ze standardowymi metodami testowania i może służyć do porównywania różnych narzędzi.
- Deklarowana całkowita wartość drgań może również służyć do wstępnej oceny narażenia na drgań.

UWAGA: Emisja dźwięku podczas rzeczywistego stosowania elektronarzędzia może różnić się od deklarowanej wartości, w której narzędzie jest używane. Aby się zabezpieczyć, w rzeczywistych warunkach użytkowania użytkownik powinien nosić rękawice i nauszki ochronne.

OPIS

ZAPOZNANIE SIĘ Z PODKASZARKĄ (Rys. A1)

1. Spust z regulacją prędkości
2. Uchwyt tylny
3. Dźwignia odblokowująca
4. Przełącznik 2-biegowy
5. Wskaźnik prędkości
6. Obejma blokady wysokości
7. Szybko regulowany uchwyt przedni
8. Dźwignia szybkiego odblokowywania
9. Zawias i śruba blokująca
10. Przycisk POWERLOAD™
11. Głowica podkaszarki (z systemem podawania LINE-IQ)
12. Żyłka tnąca
13. Zaczep odblokowujący
14. Ostrze do przycinania żyłki
15. Osłona
16. Mechanizm odłączania
17. Zatrząsk
18. Przycisk odblokowujący akumulator
19. Klucz imbusowy
20. Obejma na pasek na ramię
21. Pasek naramienny

PL

LISTA ELEMENTÓW W OPAKOWANIU (RYS. A1)

MONTAŻ

⚠ OSTRZEŻENIE: W przypadku braku lub uszkodzenia którejsz części nie należy uruchamiać urządzenia aż do momentu wymiany lub naprawy części. Używanie urządzenia z uszkodzonymi częściami lub gdy którejsz z części brakuje może doprowadzić do poważnych urazów ciała.

⚠ OSTRZEŻENIE: Nie należy próbować przerabiać urządzenia lub tworzyć akcesoriów, które nie są zalecane do używania w podkaszarce. Wszelkie tego typu zmiany lub modyfikacje są niedozwolone i mogą prowadzić do niebezpiecznych sytuacji oraz poważnych urazów ciała.

⚠ OSTRZEŻENIE: Aby zapobiec przypadkowemu włączeniu, które mogłoby spowodować urazy ciała, na

czas mocowania części należy zawsze wyjmować z maszyny akumulator.

WYPAKOWANIE TRZONKA

⚠ OSTRZEŻENIE: Aby nie dopuścić do przytraśnięcia dłoni lub palców, nie należy trzymać trzonka na połączeniach.

⚠ OSTRZEŻENIE: Do momentu zablokowania trzonka nie należy próbować włączać urządzenia.

Delikatnie rozsunąć trzonek; uważać, aby nie uszkodzić przewodu wewnątrz trzonka. Dokręcić śrubę dostarczonym kluczem, aby zablokować trzonek (Rys. B1 i B2).

MONTAŻ OSŁONY

⚠ OSTRZEŻENIE: Podczas zakładania lub wymiany osłony należy mieć zawsze założone rękawice. Należy uważać na ostrze na osłonie i chronić dłonie przed skaleczeniem ostrzem.

⚠ OSTRZEŻENIE: Nigdy nie należy włączać maszyny bez mocno założonej osłony. Aby chronić użytkownika, osłona musi być zawsze założona na maszynę! Jeśli osłona jest założona, nie należy nigdy próbować jej zdejmować lub regulować. Jeśli potrzebna jest wymiana, powinien jej dokonać wykwalifikowany technik!

Ustawić podkaszarkę głowicą do góry (Rys. C1). Dopasować otwory mocujące do otworów montażowych i przykręcić osłonę na podstawie trzonka dwiema śrubami (Rys. C2).

UWAGA: Osłona musi być zamocowana zgodnie z Rys. C1 i C2, montaż odwrotną stroną stanowi poważne zagrożenie!

MOCOWANIE I REGULACJA UCHWYTU PRZEDNIEGO

1. Poluzować i zdjąć dźwignię szybkiego odblokowywania i nakrętkę motylkową z uchwytu przedniego (Rys. D1).

D1-1	Uchwyt przedni	D1-2	Blok zaciskowy
D1-3	Nakrętka motylkowa	D1-4	Dźwignia szybkiego odblokowywania

2. Wsunąć uchwyt przedni na trzonek w strefie montażowej między obejmę blokady wysokości a zawiasem (Rys. D2).
3. Włożyć blok zaciskowy w szczelinę uchwytu (Rys. D3).
4. Zamontować dźwignię szybkiego odblokowywania i

wstępnie dokręcić nakrętkę motylkową. Dopilnować, aby uchwyt przedni był ustawiony do góry i skierowany w stronę górnej części uchwytu tylnego (Rys. D4).

5. Pociągnąć dźwignię szybkiego odblokowywania w górę, aby przesunąć/obrócić uchwyt przedni do wygodnej pozycji roboczej; następnie zablokować dźwignię szybkiego odblokowywania (Rys. D5).

UWAGA: Uchwyt przedni należy zakładać na trzonku tylko w strefie montażowej.

⚠ OSTRZEŻENIE: Narzędzia nie można używać bez prawidłowo zamocowanego uchwytu przedniego.

REGULACJA WYSOKOŚCI PODKASZARKI

Jeżeli długość trzonka jest nieodpowiednia do wykonywanej pracy, można ją wyregulować obejmą blokady wysokości.

1. Wyjąć akumulator z podkaszarki.
2. Aby wyregulować wysokość podkaszarki (tj. długość trzonka), otworzyć obejmę blokady wysokości, a następnie przesunąć trzonek w górę lub w dół na żądaną wysokość. Aby zablokować, zacisnąć obejmę blokady wysokości (Rys. E).

E-1	Obejma blokady wysokości
-----	--------------------------

UWAGA: Po zmianie wysokości podkaszarki może okazać się konieczna regulacja położenia uchwytu przedniego.

MONTAŻ PASKA NARAMIENNEGO

Aby zapewnić bezpieczeństwo i usprawnić użytkowanie, na jedno z ramion i na plecy należy założyć pasek.

1. Poluzować śrubę-pokrętko i nakrętkę sześciokątną w obejmie na pasek na ramię (Rys. F1).

F1-1	Śruba-pokrętko	F1-2	Nakrętka sześciokątna
F1-3	Obejma na pasek na ramię		

2. Założyć obejmę na pasek na ramię w wygodnej pozycji roboczej w strefie instalacji, a następnie ją zamocować – w tym celu dokręcić śrubę-pokrętko i nakrętkę sześciokątną.
3. Naciśnąć karabinek paska na ramię, aby go otworzyć i zamocować pasek w otworze obejmę na pasek (Rys. F2).
4. Długość paska wyregulować w taki sposób, aby uzyskać w czasie pracy wygodną pozycję.

⚠ OSTRZEŻENIE: W sytuacji awaryjnej należy go natychmiast zdjąć z ramienia, niezależnie od sposobu założenia paska.

Nie należy używać jednocześnie paska zakładanego na jedno ramię i paska zakładanego na oba ramiona.

Podczas noszenia paska nie należy nosić niczego, co mogłoby przeszkadzać w odpięciu i zdjęciu paska.

UŻYTKOWANIE

⚠ OSTRZEŻENIE: Należy zawsze nosić gogle lub okulary ochronne z osłoną boczną oraz ochronniki słuchu. Nieprzestrzeganie tego zalecenia może doprowadzić do poważnych obrażeń oczu odłamkiem lub skrawkiem materiału wyrzuconym przez pracujące narzędzie, a także grozi innymi możliwymi urazami.

Podkaszanie: przycinanie trawy i chwastów przy gankach, plotach i podestach.

Koszenie: koszenie trawy w miejscach trudno dostępnych dla zwykłej kosiarki.

ZAKŁADANIE/WYJMOWANIE AKUMULATORA

Do urządzenia należy używać wyłącznie ładowarek i akumulatorów marki EGO wymienionych na Rys. A2

Naładować przed pierwszym użyciem.

Zakładanie

Należy dopasować żeberka akumulatora do szczelin mocujących i wsunąć akumulator do ładowarki aż da się słyszeć kliknięcie (Rys. G1).

Wyjmowanie

Należy wcisnąć przycisk wyjmowania akumulatora i wysunąć akumulator (Rys. G2).

TRZYMANIE PODKASZARKI (Rys. H)

Aby bezpieczniej i lepiej pracować narzędziem, należy przełożyć przez ramię pasek na ramię. Długość i położenie paska na ramię należy wyregulować do wygodnej pozycji roboczej, a podkaszarkę trzymać oburącz: jedną ręką na tylnym, a drugą na przednim uchwycie.

UWAGA: Głowica podkaszarki powinna być ustawiona równolegle do podłoża i na odpowiedniej wysokości cięcia, tak aby operator nie musiał się nachylać.

⚠ OSTRZEŻENIE: W sytuacji awaryjnej należy natychmiast zdjąć pasek z ramienia, niezależnie od sposobu jego założenia.

WŁĄCZANIE/WYŁĄCZANIE PODKASZARKI (Rys. I)

Włączanie

Przełączyć dźwignię odblokowującą do przodu i wcisnąć spust z regulacją prędkości.

Przełącznik spustowy ma bezstopniową regulację prędkości. Im mocniej naciska się spust, tym wyższa jest prędkość.

I-1	Dźwignia odblokowująca	I-2	Spust z regulacją prędkości
-----	------------------------	-----	-----------------------------

Wyłączanie

Zwolnić spust z regulacją prędkości.

FUNKCJA REGULACJI PRĘDKOŚCI (Rys. J)

Podkaszarka ma dwa ustawienia prędkości. Aby zmienić prędkość koszenia z małej na dużą lub odwrotnie, należy nacisnąć przełącznik 2-biegowy.

Wskaźnik prędkości wyświetla sygnalizację ustawionej prędkości: jedna świecąca kontrolka dla małej prędkości, dwie kontrolki dla dużej prędkości. Mała prędkość daje lepszą kontrolę podkaszarki i zapewni dłuższy czas pracy na jednym ładowaniu.

J-1	Wskaźnik prędkości	J-2	Przełącznik 2-biegowy
-----	--------------------	-----	-----------------------

UŻYWANIE PODKASZARKI

Przed każdym użyciem narzędzia należy uprzątnąć teren wykonywania prac. Należy usunąć wszystkie przedmioty takie jak kamienie, potłuczone szkło, gwoździe, kawałki drutu lub sznurka itp., które mogą zostać wyrzucone w powietrze lub mogą zaplątać się w końcówkę tnącą. Z terenu, który ma zostać skoszony, należy wyprosić dzieci i osoby postronne oraz wygonić zwierzęta. Jako minimum dzieci i osoby postronne oraz zwierzęta muszą znajdować się w odległości 15 m, jednak nawet taka odległość nadal nie eliminuje całkowicie ryzyka trafienia wyrzuconymi w powietrze przedmiotami. Osoby postronne należy zachęcać do noszenia okularów ochronnych. Jeśli do użytkownika zbliży się jakaś osoba, należy natychmiast wyłączyć silnik i zatrzymać końcówkę tnącą.

Przed każdym użyciem należy sprawdzić, czy jakieś części nie są uszkodzone lub zużyte

Należy sprawdzić głowicę podkaszarki, osłonę, pasek na ramię, zaczep paska na ramię i uchwyt przedni. Wszystkie części, które są popękane, wypaczone, wygięte lub w jakikolwiek sposób uszkodzone należy wymienić.

Ostrze do żyłki tnącej na krawędzi osłony może się z czasem stępić. Zaleca się je okresowo ostrzyć pilnikiem lub wymieniać na nowe.

⚠ OSTRZEŻENIE: Na czas mocowania lub zdejmowania osłony lub ostrzenia lub wymieniania ostrza do przycinania żyłki należy zawsze zakładać rękawice. Należy zwrócić uwagę na położenie ostrza na osłonie i chronić ręce przed skaleczeniem ostrzem.

Sprawdzić, czy głowica podkaszarki nie jest zablokowana

- Aby nie dopuścić do zablokowania, należy dbać o to, aby głowica podkaszarki była czysta. Usuń ściinki trawy, liście, brud i wszelkie inne nagromadzone zanieczyszczenia przed i po każdym użyciu.
- W przypadku zablokowania należy zatrzymać podkaszarkę i wyjąć akumulator, a następnie usunąć trawę, która mogła owinąć się wokół wału silnika lub głowicy podkaszarki.

Po każdym użyciu należy wyczyścić podkaszarkę.

REGULACJA DŁUGOŚCI ŻYŁKI TNAĄCEJ

Głowica podkaszarki z systemem podawania Line-IQ jest elementem zaawansowanym technologicznie.

Jeśli podczas koszenia któryś z końców żyłki tnącej zużyje się na długość mniejszą niż 18 cm, głowica podkaszarki automatycznie odblokowuje żyłkę, a nadmiarowa długość żyłki zostanie odcięta przez ostrze do przycinania żyłki (Rys. K).

UWAGA: Aby odblokować żyłkę, nie trzeba stukać głowicę podkaszarki. Jeśli podczas koszenia trawy poczuje się lekkie drżenie głowicy podkaszarki, oznacza to, że żyłka tnąca jest właśnie automatycznie wysuwana.

⚠ OSTRZEŻENIE: Nie należy demontować lub przerabiać zespołu ostrza do przycinania żyłki. Zbyt długa żyłka prowadzi do przegrzewania się silnika i może spowodować poważne urazy ciała.

WYMIANA ŻYŁKI

UWAGA: Należy zawsze używać zalecanej nylonowej żyłki tnącej o średnicy 2,4 mm.

Używanie żyłki typu innego niż zalecany może prowadzić do przegrzewania się podkaszarki i może spowodować jej uszkodzenie.

⚠ OSTRZEŻENIE: Nigdy nie należy używać żyłek wzmocnionych metalem, drutów, sznurków itp. Mogą się one ułamać i zmienić w niebezpieczne pociski.

Podkaszarka jest wyposażona w zaawansowany system POWERLOAD™. Żyłkę tnącą można nawinąć na szpulę po prostu naciśnięciem jednego przycisku. Ładowanie pełnej szpuli trwa zwykle 12 sekund. **Aby zmniejszyć**

ryzyko uszkodzenia silnika, należy unikać wielokrotnego włączania systemu nawijania w krótkich odstępach czasu.

1. Wyjąć akumulator.
2. Uciąć odcinek żyłki tnącej o długości 4 m.
3. Włożyć żyłkę do przelotki i wcisnąć ją tak długo, aż koniec żyłki wyjdzie z przelotki znajdującej się po przeciwnej stronie (Rys. L1).

L1-1	Żyłka tnąca	L1-2	Przelotka
------	-------------	------	-----------

UWAGA: Aby włożyć żyłkę tnącą, nie trzeba dopasowywać do siebie przelotek. Jeśli żyłki nie da się włożyć do przelotki, należy założyć w podkaszarce akumulator, a następnie na krótko wcisnąć przycisk POWERLOAD, aby zresetować mechanizm nawijania.

4. Jeśli akumulator został zamontowany w podkaszarce w kroku 3, należy go wyjąć.
5. Pociągnąć żyłkę z drugiej strony, tak aby po obu stronach głowicy podkaszarki była taka sama długość żyłki (Rys. L2).
6. Zainstalować akumulator w podkaszarce.
7. Naciśnąć i przytrzymać przycisk POWERLOAD, aby włączyć silnik nawijania żyłki. Żyłka będzie nawijana na głowicę podkaszarki w sposób ciągły.
8. Uważnie obserwować pozostałą długość żyłki. Przygotować się, aby puścić przycisk, gdy tylko po obu stronach zostanie po około 22 cm żyłki. Krótko wcisnąć przycisk ładowania żyłki, aby skorygować długość, aż z obu stron będzie wystawać po 18 cm żyłki (Rys. L3).

UWAGA: Jeśli żyłka zostanie wciągnięta do głowicy przez przypadek, należy otworzyć głowicę i wyciągnąć żyłkę ze szpuli. W celu ponownego załadowania żyłki należy wykonać kroki opisane w niniejszej instrukcji w części „PONOWNE ZAKŁADANIE ŻYŁKI TNAĄCEJ”.

PONOWNE ZAKŁADANIE ŻYŁKI TNAĄCEJ

UWAGA: Jeśli żyłka tnąca zablokuje się w głowicy podkaszarki, należy wyjąć z głowicy pozostałą w niej żyłkę i wykonać czynności podane niżej, aby ponownie załadować żyłkę.

1. Wyjąć akumulator.
2. Wcisnąć zaczepy odblokowujące w głowicy podkaszarki i wyjąć (wysunąć prosto na zewnątrz) zespół pokrywy dolnej głowicy podkaszarki (Rys. M1 i M2).

M1-1	Zaczep odblokowujący	M1-2	Zespół pokrywy dolnej
------	----------------------	------	-----------------------

- Wyjąć żyłkę tnącą z głowicy podkaszarki.
- Jedną ręką przytrzymać podkaszarkę, a drugą chwycić zespół pokrywy dolnej i dopasować szczeliny w zespole pokrywy do zaczepów odblokowujących. Wcisnąć zespół pokrywy dolnej, tak aby się zatrzasnął, przy czym słychać będzie wyraźne kliknięcie (Rys. M3).

M3-1	Zaczep odblokowujący	M3-2	Szczelina
------	----------------------	------	-----------

- Abym ponownie założyć żyłkę tnącą, wykonaj instrukcje podane w części „WYMIANA ŻYŁKI”.

WYMIANA GŁOWICY TNAJĄCEJ

⚠️ OSTRZEŻENIE: Jeżeli po zamocowaniu głowica obluźuje się, należy ją natychmiast wymienić. Nigdy nie należy używać podkaszarki z poluzowaną głowicą tnącą. Pękniętą, uszkodzoną i zużytą głowicę tnącą należy natychmiast wymienić, nawet jeśli uszkodzenie polega tylko na spękanii powierzchni elementu. Tego typu końcówki mogą rozpaść się przy dużej prędkości i spowodować poważne obrażenia.

Zapoznanie z głowicą podkaszarki (Rys. N1)

N1-1	Pokrywa dolna	N1-2	Nakrętka
N1-3	Zespół szpuli	N1-4	Tuleja

Wymywanie głowicy tnącej

- Wyjąć akumulator.
- Wcisnąć zaczepy odblokowujące w głowicy podkaszarki i wyjąć (wysunąć prosto na zewnątrz) pokrywę dolną głowicy podkaszarki (patrz Rys. M1 i M2).
- Wyjąć żyłkę tnącą z głowicy podkaszarki (Rys. N2).
- Założyć rękawice. Jedną ręką chwycić zespół szpuli, aby go ustabilizować, a drugiej ręki użyć do przytrzymania klucza udarowego (do dokupienia osobno), aby odkręcić nakrętkę w lewo (Rys. N3).

N3-1	Nakrętka	N3-2	Klucz udarowy (do dokupienia osobno)
------	----------	------	--------------------------------------

- Zdjąć zespół szpuli i tuleję z wału silnika. Zachować tuleję do późniejszego montażu.

- Wymienić głowicę na nową i zamontować ją w następujących krokach.

Instalowanie nowej głowicy tnącej

- Założyć tuleję na wale silnika i zamontować na swoim miejscu zespół szpuli. Dokręcić nakrętkę kluczem udarowym.
- Zamontować zespół pokrywy dolnej (patrz Rys. M3).
- Ponownie założyć żyłkę tnącą.
- Włączyć narzędzie, aby sprawdzić, czy działa właściwie. Jeżeli tak nie jest, należy złożyć ją ponownie, tak jak opisano wyżej.

KONSERWACJA

⚠️ OSTRZEŻENIE: Do serwisowania należy używać wyłącznie części zamiennych identycznych z oryginalnymi. Używanie jakichkolwiek innych części stwarza ryzyko i może spowodować usterkę produktu. Aby zagwarantować bezpieczeństwo i niezawodność, wszystkie naprawy powinny być wykonywane przez wykwalifikowanych techników serwisu.

⚠️ OSTRZEŻENIE: Aby uniknąć poważnych urazów ciała, przed serwisowaniem, czyszczeniem i usuwaniem materiału z urządzenia należy zawsze wyjąć z niego akumulator.

⚠️ OSTROŻNIE: Zanieczyszczenia w otworach wentylacyjnych uniemożliwiają dopływ powietrza do obudowy silnika i w efekcie prowadzą do przegrzania się i uszkodzenia silnika.

CZYSZCZENIE URZĄDZENIA

- Wyrób należy czyścić wilgotną ściereczką i łagodnym detergentem. Do środka urządzenia nie mogą się dostać żadne płyny, nie wolno też zanurzać części urządzenia w jakiegokolwiek cieczy.
- Części plastikowych i uchwytu nie należy czyścić z użyciem jakiegokolwiek silnych detergentów. Mogą one zostać uszkodzone przez niektóre olejki aromatyczne, takie jak olejek sosnowy i cytrynowy oraz przez rozpuszczalniki takie jak nafta. Także wilgoć może spowodować porażenie prądem. Wszelką wilgoć należy wycierać miękką suchą ściereczką.
- Do czyszczenia otworów wentylacyjnych w tylnej części obudowy należy używać małej szczoteczki lub małego odkurzacza.
- Należy dbać o to, aby otwory wentylacyjne były drożne.

OSTRZENIE OSTRZA DO PRZYCINANIA ŻYŁKI

⚠ OSTRZEŻENIE: Należy zawsze chronić swoje dłonie i na czas wykonywania prac serwisowych przy ostrzu do przycinania żyłki zakładać grube rękawice.

1. Poluzować dwie śruby i wyjąć ostrze do przycinania żyłki z osłony (Rys. O).

O-1	Śruby	O-2	Ostrze do przycinania żyłki
-----	-------	-----	-----------------------------

2. Zamocować ostrze w imadle.
3. Ostrożnie szlifować krawędzie tnące ostrza drobnym pilnikiem lub osełką, z zachowaniem oryginalnego kąta krawędzi tnącej.
4. Ponownie włożyć ostrze w osłonę i zamocować je dwiema śrubami.

PRZECHOWYWANIE URZĄDZENIA

- Wyjąć akumulator z podkaszarki.
- Przed schowaniem należy dokładnie wyczyścić narzędzie.
- Urządzenie należy przechowywać w suchym i przewiewnym miejscu niedostępnym dla dzieci: albo pod kluczem, albo wystarczająco wysoko. Urządzenia nie należy używać na nawozach lub w ich pobliżu, to samo dotyczy podłoży zanieczyszczonych benzyną i substancjami chemicznymi.

Ochrona środowiska



Urządzeń elektrycznych, zużytych akumulatorów i ładowarki nie należy wyrzucać do zwykłych zmieszanych śmieci domowych! Produkt należy oddać do zbiórki selektywnej w autoryzowanym punkcie recyklingu. Elektronarzędzia należy oddawać do przyjaznego dla środowiska zakładu recyklingu.

PL

ROZWIĄZYWANIE PROBLEMÓW

PROBLEM	PRZYCZYNA	ROZWIĄZANIE
Podkaszarka nie włącza się.	<ul style="list-style-type: none"> ■ Do podkaszarki nie włożono akumulatora. ■ Narzędzie i akumulator nie kontaktują. ■ Akumulator jest rozładowany. ■ Przed wciśnięciem spustu z regulacją prędkości nie przesunięto do przodu przełącznika odblokowującego. ■ Wał silnika lub głowica podkaszarki są zapchane trawą. 	<ul style="list-style-type: none"> ■ Włożyć akumulator do podkaszarki. ■ Wyjąć akumulator, sprawdzić styki i założyć akumulator z powrotem. ■ Naładować akumulator. ■ Przesunąć dźwignię odblokowującą do przodu i wcisnąć spust z regulacją prędkości. ■ Usunąć trawę z wału silnika i głowicy podkaszarki.
Podkaszarka wyłącza się podczas koszenia.	<ul style="list-style-type: none"> ■ Na podkaszarce nie ma zamontowanej osłony, przez co żyłka jest za długa i dochodzi do przeciążenia silnika. ■ Używana jest ciężka żyłka. ■ Akumulator lub podkaszarka są zbyt gorące. ■ Akumulator jest odłączony od narzędzia. ■ Akumulator jest rozładowany. 	<ul style="list-style-type: none"> ■ Wyjąć akumulator i zamocować osłonę w podkaszarce. ■ Używać zalecanej nylonowej żyłki tnącej o średnicy 2,4 mm. ■ Schłodzić akumulator lub podkaszarkę. ■ Ponownie założyć akumulator. ■ Naładować akumulator.

PL

PROBLEM	PRZYCZYNA	ROZWIĄZANIE
Głowica podkaszarki nie wysuwa żyłki.	<ul style="list-style-type: none"> ■ Wał silnika lub głowica podkaszarki są zapchane trawą. ■ W szpulki jest za mało żyłki lub żyłka urywa się w przelotce. ■ Żyłka zaplątała się. ■ Żyłka jest za krótka. ■ Używana jest ciężka żyłka. ■ Awaria głowicy podkaszarki. 	<ul style="list-style-type: none"> ■ Wyłączyć podkaszarkę, wyjąć akumulator i wyczyścić wał silnika oraz głowicę podkaszarki. ■ Wyjąć akumulator i wymienić żyłkę tnącą zgodnie z procedurą podaną w części „WYMIANA ŻYŁKI” w niniejszej instrukcji. ■ Wyjąć akumulator, wyjąć żyłkę z głowicy podkaszarki i nawinąć ją ponownie zgodnie z procedurą podaną w części „PONOWNE ZAKŁADANIE ŻYŁKI TNAĄCEJ” w niniejszej instrukcji. ■ Wyjąć akumulator i ręcznie pociągnąć żyłki, jednocześnie na przemian wciskać i puszczać głowicę podkaszarki. ■ Używać zalecanej nylonowej żyłki tnącej o średnicy 2,4 mm. ■ W celu uzyskania pomocy zadzwonić do działu obsługi klienta EGO.
Głowica podkaszarki nadal automatycznie wypuszcza żyłkę.	<ul style="list-style-type: none"> ■ Używana jest lekka żyłka. 	<ul style="list-style-type: none"> ■ Używać zalecanej nylonowej żyłki tnącej o średnicy 2,4 mm.
Trawa owija się wokół głowicy podkaszarki i obudowy silnika.	<ul style="list-style-type: none"> ■ Koszenie wysokiej trawy tuż przy ziemi 	<ul style="list-style-type: none"> ■ Wysoką trawę kosić od góry ku dołowi, za jednym razem skracać źdźbła nie więcej niż o 20 cm, aby nie dopuścić do owijania się trawy wokół głowicy.
Ostrze nie docina żyłki tnącej.	<ul style="list-style-type: none"> ■ Ostrze do przycinania żyłki tnącej na krawędzi osłony stępiło się. 	<ul style="list-style-type: none"> ■ Postępować zgodnie z instrukcjami, aby naostrzyć pilnikiem ostrze do przycinania żyłki tnącej lub wymienić ostrze na nowe.
Pęknięcia na głowicy podkaszarki	<ul style="list-style-type: none"> ■ Głowica podkaszarki jest zużyta. 	<ul style="list-style-type: none"> ■ Natychmiast wymienić głowicę podkaszarki zgodnie z procedurą opisaną w części „WYMIANA GŁOWICY PODKASZARKI” w niniejszej instrukcji.

PROBLEM	PRZYCZYNA	ROZWIĄZANIE
<p>Żyłki tnącej nie da się prawidłowo nawinąć do głowicy podkaszarki.</p>	<ul style="list-style-type: none"> ■ Używana jest niewłaściwa żyłka. ■ W głowicy podkaszarki zebrały się ścinki trawy i blokują poruszanie się szpuli. ■ Z powodu wielokrotnego używania systemu zwijania żyłki przegrzał się silnik. ■ Niska pojemność baterii ■ Na zespół szpuli nie jest nawinięta żyłka. ■ Głowica podkaszarki jest niesprawna. 	<ul style="list-style-type: none"> ■ Sugerujemy używanie oryginalnej nylonowej żyłki tnącej EGO. W przypadku używania żyłki nylonowej EGO, jeśli problem nie zniknie, należy skontaktować się z działem obsługi klienta EGO w celu uzyskania porady. ■ Wyjąć akumulator, otworzyć głowicę podkaszarki i dokładnie ją wyczyścić. ■ Pozwolić, aby podkaszarka przez kilka minut popracowała bez obciążenia, aby schłodzić silnik, a następnie spróbować założyć żyłkę ponownie. ■ Naładować akumulator ■ Wyciągnąć linkę i założyć ją ponownie. ■ W celu uzyskania pomocy zadzwonić do działu obsługi klienta EGO.
<p>Podczas wkładania żyłki, żyłka tnąca nie przechodzi przez głowicę podkaszarki.</p>	<ul style="list-style-type: none"> ■ Żyłka tnąca jest rozszczepiona lub zagięta na końcu. 	<ul style="list-style-type: none"> ■ Przyciąć zużyty koniec żyłki i założyć żyłkę z powrotem.

GWARANCJA

POLITYKA GWARANCYJNA EGO

W celu zapoznania się z wszystkimi warunkami polityki gwarancyjnej EGO prosimy odwiedzić stronę egopowerplus.eu.

PŘEČTĚTE SI VŠECHNY POKYNY!



PŘEČTĚTE SI NÁVOD K OBSLUZE



Bezpečnostní upozornění



Ochrana zraku - Při používání tohoto výrobku vždy noste ochranné brýle, ochranné brýle s bočními kryty nebo obličejový štít.



Noste ochranu sluchu—Při používání tohoto produktu vždy používejte ochranu sluchu.



Odpadní elektrické výrobky se nesmí likvidovat s domovním odpadem. Odevzdejte je do autorizovaného recyklačního střediska.



Dodržujte bezpečnou vzdálenost — Vzdálenost mezi strojem a okolními osobami musí být alespoň 15 m



Šířka sekání - Max. šířka sekání strunové sekačky



Před prováděním údržby nebo čištění strunové sekačky odpojte akumulátor



Tento výrobek je v souladu s platnými předpisy ve Spojeném království.

A

Ampéry

cm

Centimetr



Stojnsměrný proud

BEZPEČNOSTNÍ SYMBOL

Při použití elektrického nářadí může dojít k vymrštění cizích těles do očí, což může způsobit jejich závažné poškození. Před použitím elektrického nářadí si vždy nasadte ochranné brýle, ochranné brýle s bočními kryty nebo v případě potřeby obličejový štít. Na brýle nebo standardní ochranné brýle s bočními kryty doporučujeme použít ochrannou masku.



Z důvodu snížení rizika úrazu si musí uživatel přečíst návod k obsluze.

IPX4

Ochrana před stříkající vodou



Garantovaná hladina akustického výkonu.



Dejte si pozor na vymrštěné předměty — Vymrštěné předměty se mohou odrazit a způsobit zranění osob nebo poškození majetku. Zajistěte, aby se ostatní osoby a domácí zvířata při používání strunové sekačky nepřibližovali.



Nepoužívejte kovové nože na strunové sekačky



Průměr žací struny - Průměr nylonové žací struny



Tento výrobek je v souladu s platnými směrnici ES.

V

Napětí

mm

Milimetr

kg

Kilogram

... /min

Za minutu

TECHNICKÉ ÚDAJE

Napětí	56 V ---	
Rychlost při chodu naprázdno	Rozsah nízkých otáček: 3500-4800 min ⁻¹	
	Rozsah vysokých otáček: 4000-5500 min ⁻¹	
Mechanismus žací struny	POSUN LINE-IQ	
Typ žací struny	2,4 mm nylonová zkroutěná struna	
Šířka sekání	40 cm	
Doporučená provozní teplota	0°C - 40°C	
Doporučená skladovací teplota	-20°C - 70°C	
Hmotnost (bez akumulátoru)	3,5 kg	
Měřená hladina akustického výkonu L _{WA}	90 dB(A) K=2,5 dB(A)	
Hladina akustického tlaku na sluch obsluhy L _{PA}	77 dB(A) K= 3 dB(A)	
Zaručená hladina akustického výkonu L _{WA} (měřeno podle 2000/14/ES)	92 dB(A)	
Hodnota vibrací a _h	Přední rukojeť	3,9 m/s ² K= 1,5 m/s ²
	Zadní rukojeť	2,7 m/s ² K= 1,5 m/s ²

- Celková deklarovaná hodnota vibrací byla naměřena podle standardní zkušební metody a lze ji použít ke srovnání s jiným nářadím;
- Celkovou deklarovanou hodnotu vibrací lze použít také k předběžnému stanovení expozičních limitů.

POZNÁMKA: Emise vibrací při konkrétním použití elektrického nářadí se mohou lišit od deklarované hodnoty, při které se nářadí používá; z důvodu ochrany provozovatele by měl uživatel ve skutečných pracovních podmínkách nosit rukavice a chrániče sluchu.

POPIS

POZNEJTE SVOJI STRUNOVOU SEKAČKU (OBR. A1)

1. Spoušť s proměnnou rychlostí
2. Zadní rukojeť
3. Zajišťovací jazyček
4. 2-rychlostní spínač
5. Ukazatel rychlosti
6. Objímka na zajištění výšky
7. Rychle nastavitelná přední rukojeť
8. Rychloupínací páka
9. Závěs a zajišťovací šroub
10. Tlačítko POWERLOAD™
11. Strunová hlava (s posunem LINE-IQ)
12. Žací struna
13. Uvolňovací západka
14. Ořezávací čepel pro strunu
15. Kryt
16. Vysunovací mechanismus
17. Západka
18. Tlačítko pro uvolnění akumulátoru
19. Imbusový klíč
20. Poutko ramenního popruhu
21. Ramenní popruh

OBSAH BALENÍ (OBR. A1)

MONTÁŽ

VAROVÁNÍ: Pokud jsou některé díly poškozené, nebo chybí, nepoužívejte výrobek, dokud se díly nevymění. Použití tohoto výrobku s poškozenými nebo chybějícími díly může vést k vážnému úrazu.

VAROVÁNÍ: Nepokoušejte se výrobek upravovat ani vytvářet příslušenství, které není pro tuto strunovou sekačku doporučeno. Každá taková změna nebo úprava je nesprávná a může vést k nebezpečné situaci, která může zapříčinit vážný úraz.

VAROVÁNÍ: Pokud provádíte montáž dílů, vždy vyjměte akumulátor ze stroje, aby nedošlo k neúmyslnému spuštění, které může způsobit vážný úraz.

ROZLOŽENÍ HŘÍDELE

VAROVÁNÍ: Aby nedošlo k přiskřípnutí rukou nebo prstů, nedržte hřídel v kloubu.

GZ

VAROVÁNÍ: Nepokoušejte se sekačku spustit, dokud není hřídel zajištěna.

Opatrně rozložte hřídel, zajištěte kabel uvnitř hřídele a zajištěte jej šroubem pomocí dodaného klíče (obr. B1 a B2).

MONTÁŽ CHRÁNIČE

VAROVÁNÍ: Při montáži nebo výměně krytu vždy používejte rukavice. Dávejte pozor na ostří na chrániči a chraňte svoje ruce před poraněním ostřím.

VAROVÁNÍ: Nikdy nepoužívejte stroj bez řádně nainstalovaného krytu. Kryt musí být vždy na stroji z důvodu ochrany uživatele! Pokud je kryt instalovaný napevno, nikdy se jej nepokoušejte odstranit nebo upravit; pokud je nezbytná výměna, musí být provedena kvalifikovaným servisním technikem!

Umístěte sekačku tak, aby její hlava směřovala nahoru (obr. C1). Vyrovnějte montážní otvory krytu s montážními otvory a poté kryt zajištěte na základně hřídele dvěma šrouby (obr. C2).

POZNÁMKA: Zkontrolujte, zda je kryt upevněn podle obr. C1 a C2, obrácené upevnění představuje vysoké riziko!

CZ

MONTÁŽ A SEŘÍZENÍ PŘEDNÍ RUKOJETI

1. Povolte a sejměte rychloupínací páku a křídlovou matici z přední rukojeti (obr. D1).

D1-1	Přední rukojeť	D1-2	Upínací blok
D1-3	Křídlová matice	D1-4	Rychloupínací páka

2. Zatlačte přední rukojeť na hřídel v montážní zóně mezi výškovou zajišťovací objímkou a závěsem (obr. D2).
3. Vložte upínací blok do drážky rukojeti (obr. D3).
4. Namontujte rychloupínací páku a předběžně utáhněte křídlovou matici. Ujistěte se, že přední rukojeť je umístěna nahoru a směřuje k horní části zadní rukojeti (obr. D4).
5. Zatáhněte za rychloupínací páku nahoru, abyste mohli přesunout/otočit přední rukojeť do pohodlné provozní polohy, a poté rychloupínací páku zajištěte (obr. D5).

POZNÁMKA: Přední rukojeť by měla být umístěna na hřídeli pouze v montážní zóně.

VAROVÁNÍ: Náradí nelze používat bez bezpečně upevněné přední pomocné rukojeti.

NASTAVENÍ VÝŠKY SEKAČKY

Pokud délka hřídele není vhodná pro provoz, můžete upravit délku hřídele pomocí výškové zajišťovací objímky.

1. Vyměňte akumulátor ze sekačky.
2. Chcete-li nastavit výšku sekačky (tj. délku hřídele), otevřete výškovou pojistnou objímkou a potom posuňte hřídel nahoru nebo dolů do požadované výšky a zajištěte ji na místě stisknutím výškové pojistné objímky (obr. E).

E-1	Výšková pojistná objímka
-----	--------------------------

POZNÁMKA: Po změně výšky sekačky může být nutné přemístit přední rukojeť.

PŘIPEVNĚNÍ RAMENNÍHO POPRUHU

Pro bezpečné a lepší ovládní si dejte popruh přes jedno z ramen a přes záda.

1. Uvolněte šroubovací knoflík a šestihrannou matici ze smyčky ramenního popruhu (obr. F1).

F1-1	Šroubovací knoflík	F1-2	Šestihranná matice
F1-3	Smyčka ramenního popruhu		

2. Umístěte smyčku ramenního popruhu do pohodlné provozní polohy v instalační zóně a poté ji zajištěte utážením šroubovacího knoflíku a šestihranné matice.
3. Stisknutím karabiny ramenního popruhu ji otevřete a připevněte ramenní popruh k otvoru na smyčce popruhu (obr. F2).
4. Nastavte délku a umístění ramenního popruhu do pohodlné provozní polohy.

VAROVÁNÍ: Dojde-li k nouzové situaci, okamžitě si odepněte popruh z ramene bez ohledu na to, jakým způsobem je popruh připnutý.

Nepoužívejte současně jednoduchý a zdvojený ramenní popruh.

Při nošení popruhu nesmí žádný jiný předmět bránit jeho uvolnění a sejmoutí.

OBSLUHA

VAROVÁNÍ: Při práci s elektrickým nářadím vždy noste ochranné brýle nebo ochranné brýle s bočními kryty a používejte ochranu sluchu. Pokud tak neučiníte, může dojít k vyvrstvení předmětu do očí nebo případně jiným vážným úrazům.

Prořezávání: tráva a plevel kolem verand, plotů a palub.
Sekání: tráva, která je obtížně dostupná běžnou sekačkou.

J-1	Ukazatel rychlosti	J-2	2rychlostní spínač
-----	--------------------	-----	--------------------

INSTALACE/VYJMUTÍ AKUMULÁTORU

Používejte pouze s akumulátory a nabíječkami EGO uvedenými na obr. A2

Před prvním použitím akumulátor plně nabijte.

Instalace

Vyrovnejte žebra akumulátoru s montážními drážkami a zatlačte akumulátor dolů, dokud neuslyšíte „cvaknutí“ (obr. G1).

Vyjmutí

Stiskněte tlačítko pro uvolnění akumulátoru a vytáhněte akumulátor (obr. G2).

JAK DRŽET STRUNOVOU SEKAČKU (obr. H)

Pro bezpečnější a lepší používání si dejte ramenní popruh přes rameno. Nastavte délku a umístění ramenního popruhu do pohodlné provozní polohy – sekačku držte oběma rukama: jednou rukou za zadní rukojeť a druhou rukou za přední rukojeť.

POZNÁMKA: Strunová hlava je rovnoběžná se zemí ve správné vzdálenosti sekání, aniž by se obsluha ohýbala.

VAROVÁNÍ: Když dojde k nouzové situaci, okamžitě sundejte ramenní popruh z ramene, bez ohledu na to, jakým způsobem je popruh zapnutý.

SPUŠTĚNÍ/VYPNUTÍ STRUNOVÉ SEKAČKY (obr. I)

Spuštění

Posuňte zajišťovací jazýček dopředu a poté stiskněte spoušť s proměnnou rychlostí.

Spouštěč plynule nastavuje rychlost. Čím více mačkáte spouštěč, tím vyšší je rychlost.

I-1	Zajišťovací jazýček	I-2	Spoušť s proměnnou rychlostí
-----	---------------------	-----	------------------------------

Zastavení

Uvolněte spoušť s proměnnou rychlostí.

FUNKCE NASTAVENÍ RYCHLOSTI (obr. J)

Strunová sekačka má dvě rychlosti. Stisknutím 2rychlostního přepínače změníte rychlost řezání mezi nízkou a vysokou.

Kontrolka rychlosti zobrazí aktivní stav rychlosti: jedna kontrolka pro nízkou rychlost a dvě kontrolky pro vysokou rychlost. Nízký rozsah otáček poskytuje lepší ovládání sekačky a delší provozní dobu na jedno nabití.

POUŽITÍ STRUNOVÉ SEKAČKY

Před každým použitím vyčistěte prostor, kde budete zařízení používat. Odstraňte všechny předměty, jako jsou kameny, rozbité sklo, hřebíky, dráty nebo věcné břemeno, které by mohly být vymršťeny nebo zapleteny do řezacího nástavce. Z prostoru vyžeňte děti, ostatní osoby a domácí zvířata. Minimální bezpečná vzdálenost pro děti, ostatní osoby a domácí zvířata je 15 m; stále však hrozí riziko zasažení ostatních osob vymršťenými předměty. Ostatním osobám doporučte použití ochrany očí. Pokud se k vám někdo blíží, okamžitě vypněte motor a žací příslušenství.

Před každým použitím zkontrolujte poškozené/opotřebené díly

Zkontrolujte strunovou hlavu, kryt, ramenní popruh, smyčku ramenního popruhu a přední rukojeť. Vyměňte všechny díly, které jsou prasklé, zkroucené, ohnuté nebo jinak poškozené.

Ořezávací čepel pro strunu na okraji chrániče se může v průběhu času otupit. Doporučujeme ji pravidelně brousit pilníkem, nebo vyměnit za novou.

VAROVÁNÍ: Při montáži nebo výměně krytu nebo při broušení nebo výměně ořezávací čepele vždy používejte rukavice. Poznamenejte si umístění čepele na krytu a chraňte si ruce před zraněním.

Zkontrolujte, zda se hlava sekačky nezablokovala.

- Abyste zabránili ucpání, udržujte hlavu sekačky v čistotě. Před každým použitím a po něm odstraňte posekanou trávu, listí, nečistoty a další nahromaděné zbytky.
- Pokud dojde k zablokování, zastavte sekačku a vyjměte akumulátor, poté odstraňte trávu, která se mohla omotat kolem hřídele motoru nebo hlavy sekačky.

Po každém použití sekačku vyčistěte.

NASTAVENÍ DÉLKY ŘEZACÍ STRUNY

Strunová hlava s posunem Line-IQ je vybavena pokročilou technologií.

Pokud se některý z konců struny během sekání opotřebí na méně než 18 cm, strunová hlava automaticky uvolní strunu a přebytečná část struny bude odříznuta ostřím pro řezání struny (obr. K).

POZNÁMKA: Pro uvolnění struny není třeba klepat na hlavu sekačky. Pokud při sekání trávy cítíte mírné chvění strunové hlavy, jedná se o automatické uvolnění struny.

GZ

⚠ VAROVÁNÍ: Nevymějte ani neupravujte sestavu ořezávací čepele. Nadměrná délka struny způsobí přehřátí motoru, což může vést k vážnému úrazu.

VÝMĚNA STRUNY

POZNÁMKA: Vždy používejte doporučenou nylonovou strunu o průměru 2,4 mm.

Použití jiné než specifikované struny může způsobit přehřátí nebo poškození nástroje.

⚠ VAROVÁNÍ: Nikdy nepoužívejte kovem vyztužené struny, dráty, šňůry atd. Mohou se odломit a stát se nebezpečnými projektily.

Strunová sekačka je vybavena pokročilým systémem POWERLOAD™. Žací strunu lze navinout na cívku pouhým stisknutím jediného tlačítka. Natáhnutí celé cívky lze obvykle dokončit za 12 sekund. **Vyhňte se opakovanému provozu navijecího systému v rychlém sledu za sebou, abyste snížili možnost poškození motoru.**

1. Vymějte akumulátor.
2. Odřízněte jeden kus žací struny o délce 4 m.
3. Vložte strunu do očka a zatlačte na strunu, dokud její konec nevýjde z protějšího očka (obr. L1).

L1-1	Žací struna	L1-2	Očko
------	-------------	------	------

POZNÁMKA: Pro vložení struny není nutné zarovnávat očka. Pokud strunu nelze zasunout do očka, nasadte akumulátor na sekačku a poté krátkým stisknutím tlačítka POWERLOAD resetujte navijecí mechanismus.

4. Vymějte akumulátor, pokud byla nasazen na sekačku v kroku 3.
5. Vytáhněte strunu z druhé strany, dokud se na obou stranách strunové hlavy neobjeví stejně dlouhá struna (obr. L2).
6. Nainstalujte akumulátor strunovou sekačku.
7. Stisknutím a podržením tlačítka POWERLOAD spustíte motor navijení šňůry. Struna bude navijena do strunové hlavy nepřetržitě.
8. Pečlivě pozorujte zbývající délku struny. Připravte se na uvolnění tlačítka, jakmile na každé straně zůstane přibližně 22 cm struny. Krátce stiskněte tlačítko pro natáhnutí struny pro nastavení délky, dokud nebude na každé straně vidět 18 cm (obr. L3).

POZNÁMKA: V případě, že se struna náhodně vtáhne do strunové hlavy, otevřete hlavu a vytáhněte strunu z cívky. Pro opětovné natáhnutí struny se řiďte částí „OPĚTOVNĚ

NATÁHNUTÍ STRUNY“ v tomto návodu.

OPĚTOVNĚ NATÁHNUTÍ STRUNY

POZNÁMKA: Když se struna zasekne v strunové hlavě, budete muset vyjmout zbývající strunu ze strunové hlavy a podle níže uvedených kroků strunu znovu natáhnout.

1. Vymějte akumulátor.
2. Stiskněte uvolňovací západky na strunové hlavě a sejměte sestavu spodního krytu strunové hlavy jejím vytážením přímo ven (obr. M1 a M2).

M1-1	Uvolňovací západka	M1-2	Sestava spodního krytu
------	--------------------	------	------------------------

3. Odstraňte strunu ze strunové hlavy.
4. Jednou rukou přidržujte sekačku a druhou ruku použijte k uchopení sestavy spodního krytu a vyrovnejte drážky v sestavě spodního krytu s uvolňovacími západkami. Zatlačte na sestavu spodního krytu, dokud nezapadne na místo, v tu chvíli uslyšíte zřetelné cvaknutí (obr. M3).

M3-1	Uvolňovací západka	M3-2	Drážka
------	--------------------	------	--------

5. Postupujte podle pokynů v části „VÝMĚNA STRUNY“ pro opětovné natažení žací struny.

VÝMĚNA STRUNOVÉ HLAVY

⚠ VAROVÁNÍ: Pokud se hlava uvolní po upevnění v dané pozici, okamžitě ji vyměňte. Nikdy nepoužívejte sekačku s uvolněným žacím nástavcem. Prasklou, poškozenou nebo opotřebovanou žací hlavici okamžitě vyměňte, i kdyby se jednalo pouze o povrchové praskliny. Tyto nástavce se mohou roztržít ve vysoké rychlosti a způsobit vážné zranění.

Seznamte se strunovou hlavou (obr. N1)

N1-1	Spodní kryt	N1-2	Matice
N1-3	Sestava cívky	N1-4	Pouzdro

Vyjmutí strunové hlavy

1. Vymějte akumulátor.
2. Stiskněte uvolňovací západky na strunové hlavě a sejměte spodní kryt strunové hlavy vytážením přímo ven (viz obr. M1 a M2).
3. Odstraňte strunu ze strunové hlavy (obr. N2).
4. Používejte rukavice. Jednou rukou uchopte sestavu

cívky, abyste ji stabilizovali, a druhou rukou držte rázový utahovák (není součástí dodávky) a povolte matici proti směru hodinových ručiček (obr. N3).

N3-1	Matice	N3-2	Rázový utahovák (není součástí dodávky)
------	--------	------	---

5. Sejměte sestavu cívky a pouzdra z hřídele motoru. Uschovejte pouzdro pro pozdější montáž.
6. Vyměňte za novou strunovou hlavu a namontujte ji v následujících krocích.

Instalace nové strunové hlavy

1. Namontujte pouzdro do hřídele motoru a namontujte sestavu cívky na místo. K utažení matice použijte rázový utahovák.
2. Namontujte sestavu spodního krytu (viz obr. M3).
3. Znovu naviňte žací strunu.
4. Spustte nástroj, abyste zjistili, zda bude strunová sekačka fungovat normálně. Pokud tomu tak není, znovu ji sestavte podle výše uvedeného popisu.

ÚDRŽBA

VAROVÁNÍ: Při opravách používejte pouze origSpustte nástroj, abyste zjistili, zda bu inální náhradní díly. Použití jiných dílů může představovat riziko nebo může způsobit poškození výrobku. Z důvodu zajištění bezpečnosti a spolehlivosti musí všechny opravy provádět kvalifikovaný servisní technik.

VAROVÁNÍ: Před údržbou, čištěním nebo odstraňováním materiálu z nástroje vyjměte akumulátor z nářadí, abyste předešli vážnému zranění.

UPOZORNĚNÍ: Překážky ve větracích otvorech zabrání proudění vzduchu do krytu motoru, což povede k přehřátí nebo poškození motoru.

ČIŠTĚNÍ NÁŘADÍ

- Nářadí čistěte vlhkým hadrem s neagresivním čistícím prostředkem. Dbejte, aby do nářadí nepronikla žádná kapalina; žádný díl tohoto nářadí nikdy neponořujte do kapaliny.
- Na plastový kryt nebo rukojeť nepoužívejte žádné silné čistící prostředky. Mohou být poškozeny některými aromatickými oleji, jako např. borovicovým nebo citronovým, a rozpouštědly, jako např. petrolejem. Vlhkost může rovněž způsobit riziko úrazu elektrickým proudem. Veškerou vlhkost setřete suchým měkkým hadrem.

- K čištění větracích otvorů od nečistot na zadní části krytu použijte malý kartáč nebo proud vzduchu z malého vysavače.
- Udržujte větrací otvory bez překážek.

BROUŠENÍ OSTŘÍ PRO OŘEZÁVACÍ ČEPEL

VAROVÁNÍ: Při údržbě ořezávací čepel vždy chraňte ruce s pomocí pevných rukavic.

1. Povolte dva šrouby a sejměte ořezávací čepel z krytu (obr. O).

O-1	Šrouby	O-2	Ořezávací čepel pro strunu
-----	--------	-----	----------------------------

2. Zabezpečte kotouč ve svěráku.
3. Opatrně přepilujte žací hrany čepel jemným pilníkem nebo brusným kamenem a zároveň udržujte původní úhel břitů.
4. Čepel nasadte do krytu a zajistěte pomocí šroubů.

SKLADOVÁNÍ NÁŘADÍ

- Vyjměte akumulátor ze sekačky.
- Nářadí před uskladněním řádně vyčistěte.
- Uskladněte jednotku na suchém, dobře větraném místě, uzamčeném nebo vysoko mimo dosah dětí. Neskladujte nářadí v blízkosti hnojiv, benzínu nebo jiných chemikálií.

Ochrana životního prostředí



Elektrické zařízení, použité baterie nabíječku nevhazujte do domovního odpadu! Předějte tento výrobek autorizované recyklační společnosti ke tříděnému sběru. Elektrické nářadí musí být vráceno do zařízení pro ekologickou recyklaci.

GZ

ODSTRAŇOVÁNÍ ZÁVAD

PROBLÉM	PŘÍČINA	ŘEŠENÍ
Strunová sekačka se nespustí.	<ul style="list-style-type: none"> ■ K sekačce není připojen akumulátor. ■ Chybí elektrický kontakt mezi sekačkou a akumulátorem. ■ Akumulátor je vybitý. ■ Před stisknutím spouště s proměnnou rychlostí se neposouvá blokovací spínač dopředu. ■ Hřídel motoru nebo strunová hlava jsou zablokované trávou. 	<ul style="list-style-type: none"> ■ Nasadte akumulátor na sekačku. ■ Vyměňte akumulátor, zkontrolujte póly a znovu jej nainstalujte. ■ Nabijte akumulátor. ■ Posuňte zajišťovací jazyček dopředu a poté stiskněte spoušť s proměnnou rychlostí. ■ Odstraňte trávu z hřídele motoru a hlavy sekačky.
Při sekání se strunová sekačka zastaví.	<ul style="list-style-type: none"> ■ Na sekačce není namontovaný chránič, což má za následek příliš dlouhou žací strunu a přetížení motoru. ■ Je použita těžká žací struna. ■ Akumulátor nebo strunová sekačka je příliš horká. ■ Akumulátor je odpojený od nářadí. ■ Akumulátor je vybitý. 	<ul style="list-style-type: none"> ■ Vyměňte ze sekačky akumulátor a namontujte kryt. ■ Použijte doporučenou nylonovou strunu o průměru 2,4 mm. ■ Ochladte akumulátor nebo strunovou sekačku. ■ Znovu nainstalujte akumulátor. ■ Nabijte akumulátor.
Ze strunové hlavy se nevysouvá struna.	<ul style="list-style-type: none"> ■ Hřídel motoru nebo strunová hlava jsou zablokované trávou. ■ Na cívce není dostatek struny nebo se struna u oka přetrhla. ■ Struna se zamotala. ■ Struna je příliš krátká. ■ Je použita těžká žací struna. ■ Porucha strunové hlavy. 	<ul style="list-style-type: none"> ■ Zastavte sekačku, vyměňte akumulátor a očistěte hřídel motoru a strunovou hlavu. ■ Vyměňte akumulátor a vyměňte strunu podle části „VÝMĚNA STRUNY“ v tomto návodu. ■ Vyměňte akumulátor, vyměňte strunu ze strunové hlavy a převiňte ji podle části „OPĚTOVNÉ NATÁHNUTÍ STRUNY“ v tomto návodu. ■ Vyměňte akumulátor, zatáhněte ručně za struny a současně stiskněte a uvolněte strunovou hlavu. ■ Použijte doporučenou nylonovou strunu o průměru 2,4 mm. ■ Požádejte o pomoc zákaznický servis EGO.
Strunová hlava pokračuje v automatickém uvolňování struny.	<ul style="list-style-type: none"> ■ Používá se lehká žací struna. 	<ul style="list-style-type: none"> ■ Použijte doporučenou nylonovou strunu o průměru 2,4 mm.

PROBLÉM	PŘÍČINA	ŘEŠENÍ
Kolem strunové hlavy a krytu motoru se namotala tráva.	<ul style="list-style-type: none"> ■ Sekání vysoké trávy na úrovni terénu. 	<ul style="list-style-type: none"> ■ Vysokou trávu sekejte shora dolů, pokaždé ne více než 20 cm, aby nedocházelo k zamotání.
Čepel neřeže strunu.	<ul style="list-style-type: none"> ■ Ořezávací čepel na okraji krytu se ztupila. 	<ul style="list-style-type: none"> ■ Postupujte dle návodu na nabroušení ořezávací čepele pilníkem nebo ji vyměňte za novou.
Praskliny na strunové hlavě	<ul style="list-style-type: none"> ■ Strunová hlava je opotřebovaná. 	<ul style="list-style-type: none"> ■ Ihned vyměňte strunovou hlavu. Postupujte dle pokynů pro „VÝMĚNA STRUNOVÉ HLAVY“ v tomto návodu.
Žací strunu nelze řádně navinout do strunové hlavy.	<ul style="list-style-type: none"> ■ Je použita nevhodná žací struna. ■ Ve strunové hlavě se nahromadily zbytky trávy nebo nečistoty a zablokovaly pohyb struny. ■ Motor se přehřívá kvůli opakovanému použití systému navíjení struny. ■ Nízká kapacita baterie ■ Struna není navinuta do sestavy cívky. ■ Strunová hlava je vadná. 	<ul style="list-style-type: none"> ■ Doporučujeme používat originální nylonovou strunu EGO. Pokud používáte nylonovou strunu EGO a problém přetrvává, požádejte o radu zákaznický servis EGO. ■ Vyměňte akumulátor, otevřete strunovou hlavu a důkladně ji vyčistěte. ■ Nechte strunovou sekačku několik minut pracovat bez zatížení, aby se motor ochladil, a poté zkuste strunu znovu navinout. ■ Nabijte akumulátor. ■ Vytáhněte šňůru a znovu ji vložte. ■ Požádejte o pomoc zákaznický servis EGO.
Žací strunu nelze při zavádění struny protáhnout strunovou hlavou.	<ul style="list-style-type: none"> ■ Žací struna je na konci rozdělená nebo ohnutá. 	<ul style="list-style-type: none"> ■ Ořízněte opotřebovaný konec struny a znovu ji zaveďte do sekačky.

ZÁRUKA

ZÁRUKA SPOLEČNOSTI EGO

Úplné záruční podmínky společnosti EGO naleznete na webové stránce egopowerplus.eu.

PREČÍTAJTE SI VŠETKY POKYNY!



PREČÍTAJTE SI NÁVOD NA OBSLUHU



Bezpečnostné upozornenie



Používajte ochranu zraku - Pri práci s týmto výrobkom vždy noste ochranné okuliare alebo ochranné okuliare s postrannými krytmi a celotvárový štít.



Používajte ochranu sluchu - Pri práci s týmto výrobkom vždy používajte ochranu sluchu.



Odpadové elektrické výrobky sa nesmú likvidovať spolu s domovým odpadom. Odovzdajte do autorizovaného recyklačného strediska.



Dodržiavajte bezpečnú vzdialenosť – vzdialenosť medzi strojom a okoloidúcimi musí byť najmenej 15 m



Rezná šírka - Max. rezná šírka strunovej kosačky



Pred vykonaním údržby alebo čistenia odpojte akumulátor od strunovej kosačky



Tento výrobok je v súlade s platnou legislatívou Spojeného kráľovstva.

A

Ampéry

CM

Centimeter



Jednosmerný prúd

BEZPEČNOSTNÝ SYMBOL

Prevádzka akéhokoľvek elektrického náradia môže viesť k vymršteniu cudzích predmetov do vašich očí, čo môže spôsobiť vážne poškodenie zraku. Predtým, než začnete používať elektrické náradie, si vždy nasadte ochranné okuliare alebo ochranné okuliare s postrannými krytmi a prípadne celotvárový štít. Odporúčame použiť bezpečnostnú masku so širokým prierezom na okuliare alebo štandardné bezpečnostné okuliare s postrannými krytmi.



Používateľ si musí prečítať návod na obsluhu, aby znížil riziko úrazu.

IPX4

Ochrana pred striekajúcou vodou



Garantovaná hladina akustického výkonu.



Dávajte si pozor na vymrštené predmety - Vymrštené predmety sa môžu odraziť a mať za následok zranenie osôb alebo poškodenie majetku. Keď používate strunovú kosačku, udržiňte od ostatných osôb a domácich zvierat bezpečnú vzdialenosť.



Na strunovej kosačke nepoužívajte kovové čepele



Priemer struny - Priemer nylonovej rezacej struny



Tento výrobok je v súlade s platnými smernicami ES.

V

Napätie

mm

Milimeter

kg

Kilogram

... /min

Za minútu

TECHNICKÉ ÚDAJE

Napätie	56 V ---	
Rýchlosť bez zaťaženia	Rozsah nízkej rýchlosti: 3500-4800 min ⁻¹	
	Rozsah vysokej rýchlosti: 4000-5500 min ⁻¹	
Mechanizmus rezacej struny	POSUN LINE-IQ	
Typ rezacej struny	2,4 mm nylonová stočená struna	
Rezná šírka	40 cm	
Odporúčaná prevádzková teplota	0°C - 40°C	
Odporúčaná skladovacia teplota	-20°C - 70°C	
Hmotnosť (bez akumulátora)	3,5 kg	
Nameraná hladina akustického výkonu L _{WA}	90 dB(A) K=2,5 dB(A)	
Hladina akustického tlaku na uši obsluhy L _{PA}	77 dB(A) K= 3 dB(A)	
Garantovaná hladina akustického výkonu L _{WA} (meraná podľa 2000/14/ES)	92 dB(A)	
Ohodnotenie vibrácií a _n	Predná rukoväť	3,9 m/s ² K= 1,5 m/s ²
	Zadná rukoväť	2,7 m/s ² K= 1,5 m/s ²

- Deklarovaná celková hodnota vibrácií bola meraná v súlade so štandardnou skúšobnou metódou a môže sa použiť na vzájomné porovnanie jednotlivých náradí;
- Uvádzaná celková hodnota vibrácie sa môže použiť aj na predbežný odhad expozície.

POZNÁMKA: Emisia vibrácií pri skutočnom používaní náradia sa môže odlišovať od deklarovanej hodnoty, pri akej sa nástroj používa; za účelom ochrany obsluhy má používateľ v skutočných podmienkach použitia nosiť rukavice a ochranu sluchu.

POPIS

POZNAJTE VAŠU STRUNOVÚ KOSAČKU (obr. A1)

1. Spínač nastavenia premenlivej rýchlosti

2. Zadná rukoväť
3. Uzamykací jazýček
4. 2-stupňový prepínač
5. Indikátor rýchlosti
6. Uzamykacia manžeta pre nastavenie výšky
7. Rýchlo nastaviteľná predná rukoväť
8. Rýchloupínacia páka
9. Závesná a uzamykacia skrutka
10. Tlačidlo POWERLOAD™
11. Hlava kosačky (s posunom Line-IQ)
12. Rezacia struna
13. Uvoľňovacia zarážka
14. Čepeľ na odrezanie struny
15. Chránič
16. Vysúvací mechanizmus
17. Západka
18. Tlačidlo uvoľnenia akumulátora
19. Imbusový kľúč
20. Slučka ramenného popruhu
21. Ramenný popruh

OBSAH BALENIA (OBR. A1)

MONTÁŽ

VAROVANIE: Ak akýkoľvek diel chýba, alebo je poškodený, nepoužívajte tento výrobok, kým nie sú vymenené diely. Ak používate tento výrobok s poškodenými alebo chýbajúcimi časťami, môže dôjsť k vážnemu zraneniu.

VAROVANIE: Nepokúšajte sa upravovať tento výrobok alebo vytvoriť príslušenstvo, ktoré nie je odporúčané pre použitie s touto strunovou kosačkou. Každá takáto zmena alebo modifikácia sa považuje za zneužitie a môže spôsobiť nebezpečný stav, ktorý vedie k možnému vážnemu zraneniu.

VAROVANIE: Pri montáži dielov vždy vyberte akumulátor zo stroja, aby ste zabránili náhodnému spusteniu, ktoré by mohlo spôsobiť vážne zranenia.

ROZLOŽENIE HRIADEĽA

VAROVANIE: Nedržte hriadeľ za káb, aby ste si neprivreli ruky alebo prsty.

SK

VAROVANIE: Nepokúšajte spustiť kosačku, kým nie je zaistený hriadeľ.

Opatrne rozložte hriadeľ tak, aby kábel zostal vo vnútri hriadeľa a zaistíte ho skrutkou pomocou dodávaného kľúča (obr. B1 a B2).

MONTÁŽ CHRÁNIČA

VAROVANIE: Pri montáži alebo výmene chrániča vždy používajte rukavice. Dávajte pozor na ostrie na chrániči a chráňte vaše ruky pred poranením ostrím.

VAROVANIE: Nikdy nepoužívajte náradie bez nasadeného ochranného krytu. Chránič musí byť vždy na stroji pre ochranu používateľa! Keď je chránič pripevnený, nikdy sa nepokúšajte ho odobrať alebo upraviť. Ak je nutná výmena, nechajte ju vykonať oprávnenému servisnému technikovi!

Kosačku umiestnite tak, aby hlava jej smerovala nahor (obr. C1). Zarovnajete montážne otvory chrániča s montážnymi otvormi a pripevníte chránič na základňu hriadeľa s dvoma skrutkami (obr. C2).

POZNÁMKA: Zabezpečte, aby bol chránič pripevnený podľa obr. C1 a C2. Akékoľvek opačné upevnenie spôsobí veľké nebezpečenstvo!

MONTÁŽ A NASTAVENIE PREDNEJ RUKOVÄTI

1. Uvoľnite a vyberte rýchlopínaciu páčku a krídlovú maticu z prednej rukoväte (obr. D1).

D1-1	Predná rukoväť	D1-2	Upínací blok
D1-3	Krídlová matica	D1-4	Rýchlopínacia páčka

2. Zatláčajte prednú rukoväť na hriadeľ v montážnej zóne medzi uzamykacou manžetou pre nastavenie výšky a pántom (obr. D2).
3. Vložte upínací blok do otvoru rukoväti (obr. D3).
4. Namontujte rýchlopínaciu páčku a mierne utiahnite krídlovú maticu. Uistite sa, že predná pomocná rukoväť je otočená dohora a smeruje k hornej časti zadnej rukoväti (obr. D4).
5. Potiahnite rýchlopínaciu páčku nahor, aby ste pohlili/otočili prednú rukoväť do pohodlnej prevádzkovej polohy a potom rýchlopínaciu páčku uzamknite (obr. D5).

POZNÁMKA: Predná rukoväť by mala byť umiestnená na hriadeľi iba v montážnej zóne.

VAROVANIE: Toto náradie nie je možné používať bez spoľahlivo upevnenej prednej rukoväti.

NASTAVENIE VÝŠKY KOSAČKY

Ak dĺžka hriadeľa nie je vhodná na obsluhu, môžete dĺžku hriadeľa upraviť pomocou uzamykacej manžety pre nastavenie výšky.

1. Vyberte akumulátor z kosačky.
2. Ak chcete nastaviť výšku kosačky (t.j. dĺžku hriadeľa), otvorte uzamykaciu manžetu pre nastavenie výšky a potom hriadeľ posuňte nahor alebo nadol do požadovanej výšky a zaistíte ho na mieste stlačením uzamykacej manžety pre nastavenie výšky (obr. E).

E-1	Uzamykacia manžeta pre nastavenie výšky
-----	---

POZNÁMKA: Prednú rukoväť môže byť potrebné po zmene výšky kosačky premiestniť.

PRIVEPVENIE RAMENNÉHO POPRUHU

Pre bezpečnú a správnu prevádzku umiestnite popruh na jedno z ramien a cez chrbát.

1. Uvoľnite skrutkovaciu gombík a šesťhrannú maticu zo slučky ramenného popruhu (obr. F1).

F1-1	Skrutkový gombík	F1-2	Šesťhranná matica
F1-3	Slučka ramenného popruhu		

2. Umiestnite slučku ramenného popruhu do pohodlnej prevádzkovej polohy v rámci inštaláčnej zóny a potom ju upevnite utiahnutím skrutkového gombíka a šesťhrannej matice.
3. Stlačte karabínu ramenného popruhu, aby ste ju otvorili a pripevníte ramenný popruh k otvoru na slučke popruhu (obr. F2).
4. Nastavte dĺžku a umiestnenie ramenného popruhu do pohodlnej prevádzkovej polohy.

VAROVANIE: Ak dôjde k núdzovej situácii, ihneď si popruh odopnite z vášho ramena bez ohľadu na to, akým spôsobom je pripnutý.

Nepoužívajte súčasne jednoduchý a zdvojený ramenný popruh.

Pri nosení popruhu nesmie žiadny iný predmet brániť uvoľneniu a odstráneniu popruhu.

OBSLUHA

VAROVANIE: Pri práci s náradím vždy noste ochranné okuliare alebo bezpečnostné okuliare s bočnými ochrannými štípmi a chráničmi sluchu. Ak tak neurobíte, môže dôjsť k vyvráteniu predmetov do očí a k ďalším možným vážnym zraneniam.

Kosenie: tráva a burina okolo prístreškov, plotov a plošín

Strihanie: tráva, ktorú je ťažké dosiahnuť použitím normálnej kosačky.

PRIPOJENIE/ODPOJENIE AKUMULÁTORA

Používajte iba EGO akumulátory a nabíjačky uvedené na obr. A2.

Pred prvým použitím úplne nabite.

Pripojenie

Zarovnajete rebrá akumulátora s montážnymi otvormi a zatlačíte akumulátor nadol, kým nebudete počuť „cvaknutie“ (obr. G1).

Odpojenie

Stlačte tlačidlo uvoľnenia akumulátora a vytiahnite akumulátor (obr. G2).

DRŽANIE STRUNOVEJ KOSAČKY (obr. H)

Pre bezpečnejšie a lepšie používanie si dajte ramenný popruh cez rameno. Nastavte dĺžku a umiestnenie ramenného popruhu do pohodlnej prevádzkovej polohy – držte kosačku oboma rukami: jednou rukou na zadnej rukoväti a druhou rukou na prednej rukoväti.

POZNÁMKA: Strunová hlava je rovnobežná so zemou v správnej rezacej vzdialenosti bez toho, aby sa operátor nakláňal.

VAROVANIE: Ak dôjde k núdzovej situácii, ihneď si ramenný popruh odopnite zo svojho ramena bez ohľadu na to, akým spôsobom je pripnutý.

SPUSTENIE/ZASTAVENIE STRUNOVEJ KOSAČKY (obr. I)

Zapnutie

Posuňte uzamykací jazýček smerom dopredu a potom stlačte spínač nastavenia premenlivej rýchlosti.

Spínačom je možné plynulo nastavovať rýchlosť. Čím viac vytiahnete spínač, tým vyššia rýchlosť.

I-1	Uzamykací jazýček	I-2	Spínač nastavenia premenlivej rýchlosti
-----	-------------------	-----	---

Zastavenie

Uvoľnite spínač nastavenia premenlivej rýchlosti.

FUNKCIA NASTAVENIA RÝCHLOSTI (obr. J)

Strunová kosačka má dve rýchlosti. Stlačením 2-stupňového spínača meníte rýchlosť rezania medzi nízkou a vysokou.

Indikátor rýchlosti zobrazí stav aktívnej rýchlosti: jedno svetlo pre nízku rýchlosť a dve svetlá pre vysokú rýchlosť. Rozsah nízkych otáčok poskytuje lepšiu kontrolu kosačky a dlhšiu prevádzkovú dobu na jedno nabitie.

J-1	Indikátor rýchlosti	J-2	2-rýchlostný spínač
-----	---------------------	-----	---------------------

POUŽÍVANIE STRUNOVEJ KOSAČKY

Pred každým použitím vyčistite oblasť, ktorá má byť kosená. Odstráňte všetky predmety, ako sú kamene, rozbité sklo, klince, drôty alebo šnúry, ktoré môžu byť vyvrátené alebo môžu uviaznuť v stroji. Zabráňte prístupu deťom, prítomným osobám a domácim zvieratám. Všetky deti, prizerajúce sa osoby a zvieratá sa musia zdržiavať vo vzdialenosti najmenej 15 metrov; stále však môže existovať riziko vyvrátenia predmetov na prizerajúce sa osoby. Okolostojace osoby by mali mať ochranu očí. Ak sa k vám niekto priblíži, okamžite zastavte motor a reznú príslušenstvo.

Pred každým použitím skontrolujte, či nie sú poškodené/opotrebované diely

Skontrolujte hlavu kosačky, chránič, ramenný popruh, slučku ramenného popruhu a prednú rukoväť. Vymeňte všetky časti, ktoré sú akýmkoľvek spôsobom popraskané, pokrivené, ohnuté alebo poškodené.

Čepeľ na odrezanie struny na okraji chrániča sa postupne otupí. Odporúčame, aby ste ju pravidelne prebrúšili pilníkom, alebo ju nahradili za novú čepeľ.

VAROVANIE: Pri montáži alebo ostrení chrániča, brúsení alebo pri výmene čepele na odrezanie struny vždy používajte rukavice. Dajte si pozor na ostré hrany na chrániči a chráňte si ruky pred porezaním.

Skontrolujte, či nie je zablokovaná strunová hlava

- Aby ste zabránili upchatiu, udržiavajte čistú strunovú hlavu. Pred a po každom použití odstráňte pokosenú trávu, lístie, špinu a akékoľvek iné nahromadené nečistoty.
- Ak dôjde k zablokovaniu, zastavte strunovú kosačku a vyberte akumulátor, potom odstráňte všetku trávu, ktorá sa mohla omotať okolo hriadeľa motora alebo hlavy strunovej kosačky.

SK

Po každom použití vyčistite kosačku.

NASTAVENIE DĹŽKY REZNEJ STRUNY

Hlava kosačky s posunom Line-IQ je vybavená pokročilou technológiou.

Ak sa ktorýkoľvek koniec reznej struny počas kosenia opotrebuje na menej ako 18 cm, hlava kosačky automaticky uvoľní reznú strunu a ďalšia časť reznej struny bude odrezaná čepeľou na odrezanie struny (obr. K).

POZNÁMKA: Nie je potrebné poklepať na hlavu kosačky, aby ste uvoľnili reznú strunu. Ak pri kosení trávy pocítite mierne chvenie hlavy kosačky, tak to je rezná struna, ktorá sa automaticky uvoľnila.

VAROVANIE: Neodstraňujte alebo nemeňte zostavu čepele na odrezanie struny. Nadmerná dĺžka struny môže spôsobiť prehriatie motora a môže dôjsť k vážnemu zraneniu.

VÝMENA STRUNY

POZNÁMKA: Vždy používajte odporúčanú nylonovú rezaciu strunu s priemerom 2,4 mm.

Použitie inej struny, než je uvedené, môže spôsobiť prehriatie alebo poškodenie náradia.

VAROVANIE: Nikdy nepoužívajte kovom vystužené struny, drôty, šnúry atď. Môžu sa odtrhnúť a stať sa nebezpečnými projektíliami.

Strunová kosačka je vybavená pokročilým systémom POWERLOAD™. Rezacia struna môže byť navinutá na cievku jednoduchým stlačením jediného tlačidla. Navinutie plnej cievky môže byť zvyčajne dokončené za 12 sekúnd.

Vyhýbajte sa opakovanému používaniu navijacieho systému v rýchlom slede, aby sa znížila možnosť poškodenia motora.

1. Vyberte akumulátor.
2. Odrežte jeden kus rezacej struny s dĺžkou 4 m.
3. Vložte strunu do očka (obr. L1) a pretláčajte ju, kým koniec struny nevyjde z opačnej strany očka.

L1-1	Rezacia struna	L1-2	Očko
------	----------------	------	------

POZNÁMKA: Nie je potrebné zarovnávať očka, aby ste vložili reznú strunu. Ak sa struna nedá vložiť do očka, pripojte akumulátor na kosačku a potom krátko stlačte tlačidlo POWERLOAD a resetujte mechanizmus navijania.

4. Ak bol akumulátor namontovaný ku kosačke v kroku 3, odstráňte ho.
5. Vytiahnite strunu z druhej strany, až kým na oboch stranách strunovej hlavy nebude vyčnievať rovnaká dĺžka (obr. L2).

6. Pripojte akumulátor do strunovej kosačky.
7. Stlačte a podržte tlačidlo POWERLOAD na spustenie motora pre navinutie struny. Struna sa postupne navinie do strunovej hlavy.
8. Sledujte pozorne zvyšnú dĺžku struny. Buďte pripravení pustiť tlačidlo, len čo na každej strane zostane približne 22 cm struny. Krátko stlačte tlačidlo pre natiahnutie struny a nastavte dĺžku tak, aby na každej strane zostalo 18 cm struny (obr. L3).

POZNÁMKA: V prípade neúmyselného vťahnutia struny do strunovej hlavy otvorte hlavu a vytiahnite strunu von z cievky. Postupujte podľa pokynov v časti „**NATIAHNUTIE REZACEJ STRUNY**“ v tomto návode pre natiahnutie novej rezacej struny.

NATIAHNUTIE REZACEJ STRUNY

POZNÁMKA: Keď sa rezná struna zasekne v hlave kosačky, budete musieť odstrániť zostávajúcu reznú strunu z hlavy kosačky a podľa krokov uvedených nižšie znova natiahnuť strunu.

1. Vyberte akumulátor.
2. Stlačte uvoľňovacie zarážky na strunovej hlave a demontujte zostavu spodného krytu strunovej hlavy ich priamym vytiahnutím (obr. M1 a M2).

M1-1	Uvoľňovacia zarážka	M1-2	Zostava spodného krytu
------	---------------------	------	------------------------

3. Odstráňte rezaciu strunu zo strunovej hlavy.
4. Jednou rukou pridržte kosačku, druhou rukou uchopte zostavu spodného krytu a zarovnajte drážky v zostave spodného krytu s uvoľňovacími zarážkami. Zatláčajte zostavu spodného krytu, kým nezapadne na miesto s počuteľným a zreteľným zvukom kliknutia (obr. M3).

M3-1	Uvoľňovacia zarážka	M3-2	Drážka
------	---------------------	------	--------

5. Postupujte podľa pokynov v časti „**VÝMENA STRUNY**“ pre natiahnutie novej rezacej struny.

VÝMENA STRUNOVEJ HLAVY

VAROVANIE: V prípade, že sa hlava po upevnení uvoľní, ihneď ju vymeňte. Nikdy nepoužívajte kosačku s voľným rezacím príslušenstvom. Ihneď vymeňte prasknutú, poškodenú alebo opotrebovanú rezaciu hlavu, aj keď je poškodenie obmedzené na povrchové praskliny. Takéto príslušenstvo sa môže pri vysokej rýchlosti roztrieštiť a spôsobiť vážne zranenie.

Zoznámte sa s hlavou kosačky (obr. N1).

N1-1	Spodný kryt	N1-2	Matica
N1-3	Zostava cievky	N1-4	Puzdro

Odstránenie strunovej hlavy

1. Vyberte akumulátor.
2. Stlačte uvoľňovacie zarážky na strunovej hlave a demontujte spodný kryt strunovej hlavy vytiahnutím rovno von (pozri obr. M1 a M2).
3. Odstráňte rezáciu strunu zo strunovej hlavy (obr. N2).
4. Používajte rukavice. Pomocou jednej ruky uchopte zostavu cievky, aby ste ju stabilizovali, a druhú ruku použite na uchopenie rázového ťahováka (nie je súčasťou dodávky) na uvoľnenie matice proti smeru hodinových ručičiek (obr. N3).

N3-1	Matica	N3-2	Rázový ťahováč (nie je súčasťou balenia)
------	--------	------	--

5. Vyberte zostavu cievky a puzdro z hriadeľa motora. Puzdro si odložte na neskoršiu montáž.
6. Namontujte novú strunovú hlavu nasledovne.

Inštalácia novej strunovej hlavy

1. Namontujte puzdro do hriadeľa motora a pripevnite zostavu cievky na miesto. Na utiahnutie matice použite rázový ťahováč.
2. Namontujte spodnú zostavu krytu (pozri obr. M3).
3. Natiahnite rezáciu strunu.
4. Spustíte nástroj, aby ste zistili, či strunová kosačka funguje normálne. Ak sa tak nestane, znova ju zostavte, ako je to popísané vyššie.

ÚDRŽBA

VAROVANIE: Pri servise používajte iba identické náhradné diely. Použitie iných častí môže vyvolať nebezpečenstvo, alebo spôsobiť poškodenie výrobku. Pre zaistenie bezpečnosti a spoľahlivosti je nevyhnutné, aby všetky opravy vykonával len kvalifikovaný servisný technik.

VAROVANIE: Pred údržbou, čistením alebo odstraňovaním materiálu z náradia vyberte z náradia akumulátor, aby ste predišli vážnemu zraneniu osôb.

UPOZORNENIE: Prekážky vo vetracích otvoroch bránia prívodu vzduchu do krytu motora, čoho následkom je prehriatie alebo poškodenie motora.

ČISTENIE PRÍSTROJA

- Výrobok čistite vlhkou handričkou a jemným saponátom. Zabráňte preniknutiu akejkoľvek kvapaliny do vnútorných častí náradia. Nikdy neponárajte žiadnu časť náradia do kvapaliny.
- Nepoužívajte žiadne silné čistiace prostriedky na plastovom kryte alebo rukováti. Môžu byť poškodené určitými aromatickými olejmi, ako je borovica a citrón, a rozpúšťadlami, ako je petrolej. Vlhkosť môže tiež spôsobiť nebezpečenstvo úrazu elektrickým prúdom. Akúkoľvek vlhkosť poutierajte mäkkou a suchou handrou.
- Použite malú kefu alebo vzduch z malého vysávača s kefkou na vyčistenie vetracích otvorov na zadnom kryte.
- Udržujte vetracie otvory bez prekážok.

OSTRENIE ČEPELE NA ODREZANIE STRUNY

VAROVANIE: Vždy si chráňte ruky pomocou odolných rukavíc pri vykonávaní akejkoľvek údržby na čepeli na odrezanie struny.

1. Uvoľnite dve skrutky a odstráňte čepel' na odrezanie struny z ochranného krytu (obr. O).

O-1	Skrutky	O-2	Čepel' na odrezanie struny
-----	---------	-----	----------------------------

2. Zaisťte čepel' do zveráka.
3. Opatrne opilujte reznú hranu čepele s jemným pilníkom alebo brúsny kameňom, pričom zachovajte pôvodný uhol naostrenia.
4. Namontujte čepel' späť na ochranný kryt a zaisťte ju pomocou dvoch skrutiek.

USKLADNENIE PRÍSTROJA

- Vyberte akumulátor z kosačky.
- Pred uložením nástroj dôkladne vyčistite.
- Prístroj skladujte na suchom a dobre vetranom uzamknutom alebo vyvýšenom mieste mimo dosahu detí. Prístroj neskladujte v blízkosti hnojív, benzínu alebo iných chemikálií.

Ochrana životného prostredia



Nevyhadzujte elektrické zariadenia, nabíjačku a použité akumulátory do domového odpadu! Tento výrobok odnesť na autorizované recyklačné miesto a poskytnúť ho na separovaný zber. Elektrické náradie sa musí odovzdať do príslušného zariadenia na ekologický šetrnú recykliáciu.

SK

ODSTRAŇOVANIE PORÚCH

PROBLÉM	PRÍČINA	RIEŠENIE
Strunová kosačka sa nespustí.	<ul style="list-style-type: none"> ■ Akumulátor nie je pripojený do strunovej kosačky. ■ Žiadny elektrický kontakt medzi nožnicami a akumulátorom. ■ Akumulátor je vybitý. ■ Vypínač sa pred stlačením spúšte s premenlivými otáčkami neposúva dopredu. ■ Tráva sa namotala na hriadeľ motora alebo hlavu kosačky. 	<ul style="list-style-type: none"> ■ Pripojte akumulátor do kosačky. ■ Vyberte akumulátor, skontrolujte kontakty a akumulátor nainštalujte naspäť. ■ Nabite akumulátor. ■ Posuňte uzamykací jazýček smerom dopredu a potom stlačte spínač nastavenia premenlivej rýchlosti. ■ Odstráňte trávu z hriadeľa motora a z hlavy kosačky.
Strunová kosačka sa pri kosení zastaví.	<ul style="list-style-type: none"> ■ Chránič nie je namontovaný na kosačke, čo spôsobuje príliš dlhý rez a preťaženie motora. ■ Je použitá príliš ťažká struna. ■ Akumulátor alebo strunová kosačka sú príliš horúce. ■ Akumulátor je odpojený od nástroja. ■ Akumulátor je vybitý. 	<ul style="list-style-type: none"> ■ Vyberte akumulátor a namontujte chránič na kosačku. ■ Použite odporúčanú nylonovú reznú strunu s priemerom 2,4 mm. ■ Ochladte akumulátor alebo strunovú kosačku. ■ Znovu vložte akumulátor. ■ Nabite akumulátor.
Strunová hlava nevysúva strunu.	<ul style="list-style-type: none"> ■ Tráva sa namotala na hriadeľ motora alebo hlavu kosačky. ■ Na cievke nie je dostatok rezacej struny alebo sa struna olamuje pri výstupe z očka. ■ Struna je zamotaná. ■ Struna je príliš krátka. ■ Je použitá príliš ťažká struna. ■ Porucha hlavy kosačky. 	<ul style="list-style-type: none"> ■ Zastavte kosačku, vyberte akumulátor a vyčistite hriadeľ motora a strunovú hlavu. ■ Vyberte akumulátor a vymeňte rezáciu strunu; postupujte podľa časti „VÝMENA STRUNY“ v tomto návode na obsluhu. ■ Vyberte akumulátor, vytiahnite strunu zo strunovej hlavy a prevíňte ju; postupujte podľa časti „VÝMENA REZACEJ STRUNY“ v tomto návode na obsluhu. ■ Vyberte akumulátor a ručne vytiahnite struny, pričom zároveň striedavo stláčate a uvoľňujete hlavu kosačky. ■ Použite odporúčanú nylonovú reznú strunu s priemerom 2,4 mm. ■ Požiadajte o pomoc zákaznicky servis EGO.
Hlava kosačky pokračuje v automatickom uvoľňovaní struny.	<ul style="list-style-type: none"> ■ Je použitá ľahká struna. 	<ul style="list-style-type: none"> ■ Použite odporúčanú nylonovú reznú strunu s priemerom 2,4 mm.

PROBLÉM	PRÍČINA	RIEŠENIE
Tráva sa namotala na hlavu kosačky a kryt motora.	<ul style="list-style-type: none"> ■ Kosenie vysokej trávy na úrovni terénu. 	<ul style="list-style-type: none"> ■ Koste vysokú trávu zhora nadol, pri každom prechode odstraňujte najviac 20 cm, aby nedošlo k namotaniu.
Čepeľ nereže strunu.	<ul style="list-style-type: none"> ■ Čepeľ na odrezanie struny na okraji chrániča sa otúpila. 	<ul style="list-style-type: none"> ■ Podľa pokynov naostríte čepeľ na odrezanie struny alebo ju vymeňte za novú.
Praskliny na strunovej hlave	<ul style="list-style-type: none"> ■ Strunová hlava je opotrebovaná. 	<ul style="list-style-type: none"> ■ Vymeňte ihneď rezaciu hlavu; postupujte podľa „VÝMENA STRUNOVEJ HLAVY“ v tomto návode na obsluhu.
Struna sa nedá správne navinúť do strunovej hlavy.	<ul style="list-style-type: none"> ■ Používa sa nesprávna rezacia struna. ■ V strunovej hlave sa nahromadili zvyšky trávy alebo nečistoty a zablokovali pohyb cievky so strunou. ■ Motor sa prehrieva kvôli opakovanému zapínaniu systému navijania struny. ■ Nízka kapacita akumulátora. ■ Struna nie je navinutá do zostavy cievky. ■ Strunová hlava je poškodená. 	<ul style="list-style-type: none"> ■ Odporúčame vám použiť originálnu nylonovú reznú strunu EGO. Ak používate nylonovú strunu EGO a problém pretrváva, obráťte sa na zákaznícky servis EGO so žiadosťou o pomoc. ■ Vyberte akumulátor, otvorte strunovú hlavu a dôkladne ju vyčistite. ■ Nechajte strunovú kosačku niekoľko minút pracovať bez záťaže, aby sa motor ochladil, a potom vyskúšajte znova natiahnuť strunu. ■ Nabite akumulátor. ■ Vytiahnite strunu a znova ju vložte. ■ Požiadajte o pomoc zákaznícky servis EGO.
Pri vkladaní struny sa rezacia struna nedá viesť cez strunovú hlavu.	<ul style="list-style-type: none"> ■ Rezacia struna je na konci rozdelená alebo ohnutá. 	<ul style="list-style-type: none"> ■ Opotrebovaný koniec struny odrežte a znova natiahnite.

SK

ZÁRUKA

ZÁRUČNÁ POLITIKA EGO

Navštívte webové stránky egopowerplus.eu pre úplné podmienky záručnej politiky spoločnosti EGO.

OLVASSA EL AZ ÖSSZES UTASÍTÁST!



OLVASSA EL A HASZNÁLATI ÚTMUTATÓT



Biztonsági figyelmeztetés



Látásvédelem – Mindig viseljen védőszemüveget vagy oldalsó védőlemezrel ellátott védőszemüveget és teljes védőálarcot a termék működtetése közben.



Hallásvédelem – Mindig viseljen hallásvédőt a termék működtetése közben.



Az elhasznált elektromos termékek nem helyezhetők a háztartási hulladékok közé. Vigye hivatalos újrahasznosító telephelyre.



Tartson biztonságos távolságot – A gép és a közelben tartózkodók közötti távolság legalább 15 m legyen



Vágási szélesség – A fűkasza max. vágásszélessége



A karbantartási és tisztítási munkák elvégzése előtt válassza le az akkumulátort a damilos fűkaszáról



Ez a termék megfelel az Egyesült Királyság hatályos jogszabályainak.

A Amper

Cm Centiméter

≡ Egyenáram

BIZTONSÁGI SZIMBÓLUM

Bármely elektromos kéziszerszám működtetése azzal járhat, hogy idegen tárgyak szembe kerülnek, ami súlyos szemsérüléseket okozhat. Az elektromos kéziszerszám működtetése előtt mindig vegyen fel oldalsó védőlemezrel ellátott védőszemüveget és a teljes védőálarcot, ha szükséges. Javasoljuk, hogy viseljen Wide Vision Safety Mask-ot (védőálarc) a védőszemüveg fölött vagy standard védőszemüveget oldalsó védőlemezrel.



A sérülések kockázatának csökkentése érdekében használónak el kell olvasnia a használati útmutatót.

IPX4

Fröccsenő víz elleni védelem



Garantált hangteljesítményszint.



Vigyázzon a visszapattanó tárgyakkal – A visszapattanó tárgyak súlyos személyi sérülést vagy anyagi kárt okozhatnak. Ügyeljen arra, hogy más személyek és a háziállatok távol legyenek a damilos fűkasza használata közben.



Ne használja a fém pengéket a damilos fűkaszán



Vágószál átmérője – A nejlón vágószál átmérője



A termék megfelel az érvényes EK irányelveknek.

V Feszültség

mm Milliméter

kg Kilogramm

.../perc Percenként

HU

JELLEMZŐK

Feszültség	56 V ---	
Üresjárat fordulatszám	Alacsony sebességtartomány: 3500–4800 perc ⁻¹	
	Nagy sebességtartomány: 4000–5500 perc ⁻¹	
Vágószál mechanizmusa	LINE-IQ BETÖLTÉS	
Vágószál típusa	2,4 mm nylon sodort vágószál	
Vágásszélesség	40 cm	
Javasolt üzemi hőmérséklet	-0°C – 40°C	
Javasolt tárolási hőmérséklet	-20°C – 70°C	
Súly (akkumulátoregység nélkül)	3,5 kg	
Mért hangteljesítményszint L _{WA}	90 dB(A)	K=2,5 dB(A)
Hangnyomásszint a kezelő fülénél L _{PA}	77 dB(A)	K=3 dB(A)
Garantált hangteljesítményszint L _{WA} (a 2000/14/EK szerint mérve)	92 dB(A)	
Vibráció értéke a _h	Elülső fogantyú	3,9 m/s ² K=1,5 m/s ²
	Hátulsó fogantyú	2,7 m/s ² K=1,5 m/s ²

- A névleges rezgési összérték mérése standard bevizsgálási módszerrel történt, és használatával a szerszámok egymással összehasonlíthatók.
- A névleges rezgési összérték a kockázat előzetes felméréséhez is felhasználható.

MEGJEGYZÉS: A rezgés-kibocsátás az elektromos szerszám aktuális használata közben eltérhet attól a névleges értéktől, amellyel a szerszámot használják: a kezelő védelme érdekében a használatnak kesztyűt és hallásvédőt kell használnia működtetés közben.

LEÍRÁS

ISMERJE MEG A DAMILÓS FŰKASZÁT (A1 ábra)

1. Állítható sebességszabályozó kapcsoló
2. Hátsó fogantyú
3. Rögzítőnyelv

4. 2 fokozatú kapcsoló
5. Sebességjelző
6. Magasság rögzítő gallér
7. Gyorsbeállító elülső fogantyú
8. Gyorskioldó kar
9. Pánt és rögzítőcsavar
10. POWERLOAD™ gomb
11. Vágófej (LINE-IQ adagolóval)
12. Vágószál
13. Kioldógomb
14. Vágópenge
15. Védőburkolat
16. Kioldó mechanizmus
17. Zár
18. Akkumulátor kioldógomb
19. Imbuszkulcs
20. Vállpánthurok
21. Vállpánt

A CSOMAG TARTALMA (A1 ÁBRA)

ÖSSZESZERELÉS

HU

⚠ FIGYELMEZTETÉS: Ha bármely alkatrész sérült vagy hiányzik, akkor addig ne használja a terméket, amíg az alkatrész(ek) cseréje meg nem történik. Sérült vagy hiányzó alkatrészekkel történő használat súlyos személyi sérülést okozhat.

⚠ FIGYELMEZTETÉS: Ne változtassa meg a terméket és ne készítsen hozzá olyan tartozékokat, amelyek nem javasoltak ehhez a készülékhez. Bármilyen módosítás vagy változtatás helytelen használatnak minősül, és veszélyes feltételeket teremthet, amely súlyos személyi sérüléssel végződhet.

⚠ FIGYELMEZTETÉS: Az akár súlyos személyi sérülést okozó véletlenszerű indítás elkerülése érdekében mindig vegye ki az akkumulátoregységet a szerszámból, amikor összeszereli az alkatrészeket.

A SZÁR KINYITÁSA

⚠ FIGYELMEZTETÉS: Ne a csuklóknál fogva tartsa a szárát, nehogy becsipje a kezét vagy az ujjait.

⚠ FIGYELMEZTETÉS: Ne próbálja meg elindítani a fűkaszát addig, amíg a szár nem rögzült.

Óvatosan hajtsa szét a szárát, biztosítva a kábelt a szár belsejében, majd rögzítse két csavarral, a mellékelt csavarkulcs segítségével (B1 és B2 ábra).

A VÉDŐBURKOLAT FELSZERELÉSE

▲ FIGYELMEZTETÉS: Mindig viseljen kesztyűt, amikor felszereli vagy kicseréli a védőburkolatot. Legyen óvatos a védőburkolat alatt lévő pengével, és védje a kezét a penge vágásától.

▲ FIGYELMEZTETÉS: Soha ne működtesse a szerszámot, ha a védőburkolat nincs megfelelően a helyén. A védőburkolatnak mindig a szerszámon kell lennie a felhasználó védelme érdekében! Ha a védőburkolat rögzítve van, akkor soha ne próbálja meg eltávolítani vagy beállítani, ha ki kell cserélni, akkor azt szakképzett szerviztechnikus végezze!

A fűkasztát úgy állítsa, hogy a vágófej felfelé nézzen. (C1 ábra). Igazítsa a rögzítőfuratokat a szerelési lyukakhoz, majd rögzítse a védőburkolatot a szár talpához a két csavarral (C2 ábra).

MEGJEGYZÉS: Ellenőrizze, hogy a védőburkolat a C1 és C2 ábrának megfelelően rögzítve van-e, a fordított rögzítés nagy veszélyt okozhat!

AZ ELÜLSŐ FOGANTYÚ FELSZERELÉSE ÉS BEÁLLÍTÁSA

1. Lazítsa meg és távolítsa el a gyorskioldó kart és a szárnyas anyát az elülső fogantyúról (D1 ábra).

D1-1	Elülső fogantyú	D1-2	Rögzítőkapocs
D1-3	Szárnyas anya	D1-4	Gyorskioldó kar

2. Nyomja rá az első fogantyút a szárra a magasságrögzítő gallér és a pánt közötti rögzítési zónán belül (D2 ábra).
3. Illeszze a rögzítőkapcsot a fogantyú nyílásába (D3 ábra).
4. Szerelje fel a gyorskioldó kart, és húzza meg előre a szárnyas anyát. Ügyeljen arra, hogy az elülső fogantyú felfelé, a hátsó fogantyú felé nézzen (D4 ábra).
5. Húzza fel a gyorskioldó kart, hogy az elülső fogantyút kényelmes működési helyzetbe állíthassa/forgathassa, majd rögzítse a gyorskioldó kart (ábra. D5).

MEGJEGYZÉS: Az elülső fogantyút csak a szerelési zónán belül szabad elhelyezni a száron.

▲ FIGYELMEZTETÉS: A szerszám nem használható

ha az elülső fogantyú nincs biztonságosan rögzítve.

A FŰKASZA BEÁLLÍTÁSA

Ha a szár hossza nem megfelelő a működtetéshez, a magasságrögzítő gallér segítségével állíthatja a szár hosszát.

1. Vegye ki az akkumulátoregységet a fűkaszból.
2. A fűkasza magasságának (azaz a szár hosszának) beállításához nyissa ki a magasságrögzítő gallért, majd csúsztassa felfelé vagy lefelé a szárát a kívánt magasságba, majd rögzítse a magasságrögzítő gallér lenyomásával (E ábra).

E-1	Magasságrögzítő gallér
-----	------------------------

MEGJEGYZÉS: Előfordulhat, hogy az elülső fogantyút át kell helyezni a fűkasza magasságának megváltoztatása után.

A VÁLLPÁNT FELSZERELÉSE

A biztonságos és jobb működés érdekében akassza a pántot a válllára, a hátára igazítva.

1. Lazítsa ki a csavargombot és a hatlapfejű anyát a vállpánt hurkából (ábra. F1).

F1-1	Csavargomb	F1-2	Hatlapfejű anya
F1-3	Vállpánthurok		

2. Helyezze a vállpánt hurkát a szerelési zónán belül úgy, hogy használat közben kényelmes helyzetben legyen, majd rögzítse a csavargomb és a hatlapfejű anya meghúzásával.
3. Nyomja meg a vállpánt karabinerét a kinyitáshoz, és rögzítse a vállpántot a hurok nyílásához (F2 ábra).
4. Állítsa be a vállpánt hosszát és elhelyezkedését kényelmes helyzetbe.

▲ FIGYELMEZTETÉS: Ha vész helyzet adódik, akkor azonnal vegye le a válláról, függetlenül attól, hogyan van feltéve a szíj.

Ne használja a szimpla és a dupla vállszíjat egyidejűleg. A vállsúly viselése során semmilyen más hordható eszköz nem akadályozhatja a vállsúly kioldását és eltávolítását.

HASZNÁLAT

▲ FIGYELMEZTETÉS: Mindig viseljen védőszemüveget vagy oldalsó védőlemezzel ellátott szemvédőt, illetve hallásvédőt. Amennyiben nem ezt teszi, tárgyak repülhetnek a szemébe, és más komoly sérülések keletkezhetnek.

Szegélynyírás: Kapualjak, kerítések és burkolatok körül lévő fű és dudva vágásához.

Vágás: Olyan fű vágására használja, amelyet a normál fűnyíró nehezen érne el.

AZ AKKUMULÁTOREGYSÉG BERAKÁSA/ KIVÉTELE

**Csak az A2 ábrán felsorolt EGO
akkumulátoregységeket és töltőket használja.**

Az első használat előtt teljesen töltsse fel.

Csatlakoztatás

Illesse az akkumulátor bordáit a szerelőnyílásokba és nyomja le az akkumulátoregységet, amíg kattantást nem hall (G1 ábra).

Leválasztás

Nyomja le az akkumulátor kioldógombját, és húzza ki az akkumulátoregységet (G2 ábra).

A DAMILOS FŰKASZA TARTÁSA (H ábra)

A biztonságos és jobb működés érdekében helyezze fel a vállszíjat a vállán keresztben. Állítsa be a vállpánt hosszát és elhelyezését kényelmes helyzetbe – mindkét kezével tartsa a fűkaszát: egyik kezével a hátsó, a másik kezével pedig az előlő fogantyúnál.

MEGJEGYZÉS: A vágófej legyen párhuzamos a talajjal megfelelő vágási távolságban, a kezelő ne hajoljon fölé.

▲ FIGYELMEZTETÉS: Ha vészhelyzet adódik, akkor azonnal vegye le a válláról, függetlenül attól, hogyan van feltéve a pánt.

A DAMILOS FŰKASZA INDÍTÁSA/LEÁLLÍTÁSA (I ábra)

Indítás

Tolja előre a rögzítőnyelvet, majd nyomja meg az állítható sebességszabályozó kapcsolót.

A ravasz fokozatmentes sebességbeállításra alkalmas. Minél jobban húzza felfelé a ravaszt, annál nagyobb lesz a sebesség.

I-1	Rögzítőnyelv	I-2	Állítható sebességszabályozó kapcsoló
-----	--------------	-----	---------------------------------------

Leállítás

Oldja ki az állítható sebességszabályozó kapcsolót.

SEBESSÉGÁLLÍTÓ FUNKCIÓ (J ábra)

A damilos fűkasza két sebességbeállítással rendelkezik. Nyomja meg a 2 fokozatú kapcsolót, ha váltani szeretne az

alacsony és magas vágási sebesség között.

A sebességjelző megjeleníti az aktív sebesség állapotát: egy lámpa alacsony sebességnél és két lámpa magas sebességnél. Az alacsony sebességtartománnyal jobban irányítható a fűkasza, és hosszabb üzemidő marad töltésenként.

J-1	Sebességjelző	J-2	2 fokozatú kapcsoló
-----	---------------	-----	---------------------

A DAMILOS FŰKASZA HASZNÁLATA

Minden használat előtt tisztítsa meg a nyírní kívánt területet. Távolítsa el minden tárgyat, pl. követ, törött üveget, szöveget, vezetéket és zsinórt, ami beakadhat a vágóegységbe. A területen ne legyenek gyermekek, nézelődők vagy állatok. Minden gyermek, közelben tartózkodó személy és állat legalább 15 m távolságban legyen; még így is fennáll a veszélye, hogy tárgyak repülnek feléjük. A nézelődők is viseljenek védőszemüveget. Amikor Ön felé közeledik valaki, azonnal állítsa le a motort és a vágóegységet.

Minden használat előtt ellenőrizze, hogy nincsenek-e sérült/kopott alkatrészek

Ellenőrizze a vágófejet, a védőburkolatot, a vállpántot, a vállpánt hurkát és az előlő fogantyút. Cserélje ki a megrepedt, meghajlott, megcsavarodott vagy bármilyen más módon sérült alkatrészeket.

A védőburkolat szélén lévő vágópenge egy idő után tompa lehet. Javasoljuk, hogy időnként élezze meg reszelővel, vagy cserélje ki új pengére.

▲ FIGYELMEZTETÉS: Mindig viseljen kesztyűt, amikor felszereli vagy kicseréli a védőburkolatot, illetve amikor megélezi vagy kicseréli a pengét. Jegyezze meg, hol van a penge a védőburkolat alatt, és óvja a kezét sérülésektől.

Ellenőrizze, hogy nincs-e eltömődés a vágófejben

- Az eltömődés elkerülése érdekében tartsa tisztán a vágófejet. Minden használat előtt és után távolítsa el a levágott fűvet, leveleket, szennyeződések és minden egyéb felgyülemlett lerakódást.
- Ha eltömődik, állítsa le a damilos fűkaszát és vegye ki az akkumulátort, majd távolítsa el a fűvet, amely a motor tengelye vagy a vágófej köré tekeredhetett.

Minden használat után tisztítsa meg a fűkaszát.

A VÁGÓSZÁL HOSSZÁNAK BEÁLLÍTÁSA

A Line-IQ adagolófej fejlett technológiával van felszerelve.

Ha a vágószál mindkét vége 18 cm-nél kisebb kopást mutat a vágás során, a vágófej automatikusan elengedi a vágószálát, és a vágószál maradék részét levágja a vágópengé (K ábra).

MEGJEGYZÉS: Nem szükséges kopogtatni a vágófejet a vágószál kiengedéséhez. Ha a fű vágásakor a vágófej enyhe remegését érzi, akkor a vágódáml automatikusan kioldódik.

▲ FIGYELMEZTETÉS: Ne távolítsa el, és ne változtassa meg a vágógépséget. A felesleges hossz miatt a motor túlmelegszik, amely súlyos sérülést okozhat.

VÁGÓSZÁL CSERÉJE

MEGJEGYZÉS: Mindig az ajánlott 2,4 mm átmérőjű nylon vágószálat használja.

Ha a meghatározott típustól eltérőt használ, akkor a fűkasza túlmelegedhet, vagy megsérülhet.

▲ FIGYELMEZTETÉS: Soha ne használjon fémmelegített szálat, zsinórt, vezetéket stb. Ezek eltörhetnek, és veszélyesek lehetnek a szétröppenő részek miatt.

A dámlós fűkasza fejlett automatikus POWERLOAD™ rendszerrel rendelkezik. A vágószál egyszerűen felcsévéltethető az orsóra a különálló gomb megnyomásával. A teljes orsó betöltése jellemzően 12 másodperc alatt elvégezhető. **A motor károsodásának elkerülése érdekében kerülje a csévéelő rendszer gyors egymásutánban történő használatát.**

1. Vegye le az akkumulátoregységet.
2. Vágjon egy 4 m hosszú darab vágószálat.
3. Illeszze a szálat a befűzőlyukba és tolja előre addig, amíg kijön a szemközti befűzőlyukon (L1 ábra).

L1-1	Vágószál	L1-2	Befűzőlyuk
------	----------	------	------------

MEGJEGYZÉS: A vágószál behelyezéséhez nem szükséges a befűzőlyukakat egymáshoz igazítani. Ha nem lehet beilleszteni a szálat a befűzőlyukba, szerelje fel az akkumulátoregységet a fűkaszára, majd nyomja meg röviden a POWERLOAD gombot a tekercselő mechanizmus alaphelyzetbe állításához.

4. Vegye ki az akkumulátoregységet, ha a 3. lépésben felszerelte a fűkaszára.
5. Húzza be a vágószálat a másik oldalról addig, amíg egyenlő hosszúságú nem lesz a vágófej két oldalán (L2 ábra).
6. Szerelje fel az akkumulátoregységet a dámlós fűkaszára.
7. Nyomja le és tartsa lenyomva a POWERLOAD gombot a vágószál-csévéelő motor elindításához. A vágószál folyamatosan csévélődik a vágófejbe.

8. Ügyeljen a vágószál fennmaradó hosszára. Készítse elő a gomb kioldását, amikor körülbelül 22 cm szál marad mindegyik oldalon. Nyomja meg röviden a vágószál-adagoló gombot a hossz beállításához, amíg 18 cm vágószál marad mindegyik oldalon (L3 ábra).

MEGJEGYZÉS: Ha a vágószál véletlenül behúzódik a vágófejbe, nyissa ki a fejet és húzza ki a vágószálat az orsóból. A vágószál újratöltéséhez kövesse a kézikönyv „VÁGÓSZÁL ÚJRATÖLTÉSE” című fejezetét.

TÖLTSE ÚJRA A VÁGÓSZÁLAT

MEGJEGYZÉS: Ha a vágószál elakad a vágófejben, el kell távolítania a maradék vágószálat a fűkasza fejből, és kövesse az alábbi lépéseket a szál újratöltéséhez.

1. Vegye le az akkumulátoregységet.
2. Nyomja meg a kioldógombot a vágófejen, és távolítsa el az alsó burkolatát úgy, hogy egyenesen kihúzza (M1 és M2 ábra).

M1-1	Kioldó gomb	M1-2	Alsó borítás
------	-------------	------	--------------

3. Vegye ki a vágószálat a vágófejből.
4. Miközben egyik kezével tartja a fűkaszáat, a másik kezével fogja az alsó borítást és igazítsa egymáshoz a nyílásokat az alsó borításon a kioldógombokkal. Nyomja az alsó borítást, amíg a helyére pattan, amit jól hallható kattanás jelez (M3 ábra).

M3-1	Kioldó gomb	M3-2	Nyílás
------	-------------	------	--------

5. A vágószál újratöltéséhez kövesse a „VÁGÓSZÁL CSERÉJE” pontban található utasításokat.

A VÁGÓFEJ CSERÉJE

▲ FIGYELMEZTETÉS: Ha a fej rögzítés után kilazul, azonnal cserélje ki. Soha ne használja a fűkaszáat laza vágógépséggel. Azonnal cserélje ki a repedt, sérült vagy kopott vágófejet, akkor is, ha a sérülés csak felületi repedéseket jelent. Az ilyen alkatrészek nagy sebességen darabokra törhetnek és súlyos sérülést okozhatnak.

Ismerje meg a vágófejet (N1 ábra).

N1-1	Alsó burkolat	N1-2	Anyá
N1-3	Orsószerkezet	N1-4	Persely

A vágófej eltávolításához

1. Vegye le az akkumulátoregységet.

- Nyomja meg a kioldógombot a vágófejen, és távolítsa el az alsó burkolatát úgy, hogy egyenesen kihúzza (lásd M1 és M2 ábra).
- Vegye ki a vágószálat a vágófejből (N2 ábra).
- Viseljen védőkesztyűt. Egyik kezével tartsa stabilan az orsót, a másikkal pedig fogjon egy ütvecsavarozót (nem tartozék) a csavar óramutató járásával ellentétes irányban történő kilátásához (N3 ábra).

N3-1	Anya	N3-2	Ütvecsavarozó (nem tartozék)
------	------	------	------------------------------

- Távolítsa el az orsószerelvényt és a perselyt a motor tengelyéről. Órizzze meg a perselyt a későbbi összeszereléshez.
- Cserélje ki egy új vágófejre és szerelje be a következő lépések szerint.

A új vágófej felszereléséhez

- Szerelje fel a perselyt a motor tengelyére, majd az orsószerelvényt a helyére. Húzza meg az anyát egy ütvecsavarozó segítségével.
- Szerelje fel az alsó burkolatot (lásd M3 ábra).
- Töltse újra a vágószálat.
- Indítsa be az eszközt, hogy lássa, rendben működik-e a damilos fűkasza. Ha nem, szerelje össze ismét a fent leírt módon.

KARBANTARTÁS

▲ FIGYELMEZTETÉS: Szervizeléskor csak azonos cserealkatrészeket használjon. Bármilyen más alkatrész használata veszélyt okozhat, vagy megrongálhatja a terméket. A biztonságosság és megbízhatóság biztosítása érdekében minden javítást szakképzett szerviztechnikusnak kell elvégeznie.

▲ FIGYELMEZTETÉS: A súlyos személyi sérülések elkerülése érdekében távolítsa el az akkumulátoregységet a szerszámból szervizelés, tisztítás előtt, vagy mielőtt valamit eltávolítana az egységből.

▲ VIGYÁZAT: A szellőzőnyílásokban lévő akadályok megakadályozzák, hogy levegő áramoljon a motorházba, így a motor megsérülhet vagy túlmelegedhet.

AZ EGYSÉG TISZTÍTÁSA

- Nedves törölruhával és enyhe tisztítószerrel tisztítsa meg az egységet. Soha ne hagyja, hogy bármilyen folyadék a szerszámba kerüljön, soha ne merítse vízbe a szerszám egyetlen alkatrészét sem.

- Ne használjon erős tisztítószerkeket a műanyag burkolaton vagy a fogantyún. Ezek megsérülhetnek a különböző aromaolajaktól, pl. fenyő vagy citrom, és az olyan oldószerektől, mint a kerozin. A nedvesség szintén áramütés veszélyét okozhatja. A nedvességet egy puha, száraz ruhával törölje le.
- Használjon kis keféket vagy egy kis porszívó levegőkimenetét a hátsó burkolaton lévő szellőzőnyílások megtisztításához.
- Tartsa akadályoktól szabadon a szellőzőnyílásokat.

A VÁGÓPENGE ÉLEZÉSE

▲ FIGYELMEZTETÉS: Mindig védje a kezét védőkesztyűvel, amikor karbantartást végez a damilvágó pengén.

- Lazítsa meg a két csavart, és távolítsa el a vágópengét a védőburkolatból (O ábra).

O-1	Csavarok	O-2	Vágópenge
-----	----------	-----	-----------

- Rögzítse a pengét satuban.
- Óvatosan reszelje a penge vágószéléit egy finomfűgű reszelővel vagy élezőkővel, ügyelve arra, hogy megtartsa az eredeti vágási szöveget.
- Tegye vissza a pengét a védőburkolatra és rögzítse a helyére két csavarral.

AZ EGYSÉG TÁROLÁSA

- Vegye ki az akkumulátoregységet a fűkaszából.
- Tárolás előtt alaposan tisztítsa meg a szerszámot.
- Az egységet száraz, jól szellőző, elzárt vagy magas helyen tárolja, ahol nem férhetnek hozzá gyermekek. Ne tárolja az egységet trágya, benzin vagy más vegyszerek mellett.

Környezetvédelem



Ne dobja az elektromos felszerelést, az elhasznált akkumulátort és a töltőt a háztartási hulladékok közé! Vigye hivatalos újrahasznosító telephelyre, és tegye hozzáférhetővé a szelektív gyűjtéshez. Az elektromos eszközöket megfelelő környezetbarát újrahasznosító üzembe kell vinni.

HU

HIBAELHÁRÍTÁS

PROBLÉMA	OK	MEGOLDÁS
A damilos fűkasza nem indul.	<ul style="list-style-type: none"> ■ Az akkumulátoregység nincs csatlakoztatva a fűkaszához. ■ Nincs elektromos kapcsolat a fűkasza és az akkumulátor között. ■ Az akkumulátoregység lemerült. ■ A reteszelő kapcsoló nem mozog előre, mielőtt lenyomná az állítható sebességkapcsolót. ■ A motor tengely vagy vágófej beakadt a fűbe. 	<ul style="list-style-type: none"> ■ Csatlakoztassa az akkumulátoregységet a fűkaszához. ■ Vegye ki az akkumulátoregységet, ellenőrizze a csatlakozásokat, és helyezze vissza az akkumulátoregységet. ■ Töltse fel az akkumulátoregységet. ■ Tolja előre a rögzítőnyelvet, majd nyomja meg az állítható sebességszabályozó kapcsolót. ■ Távolítsa el a fűvet a motor tengelyéről és a vágófejről.
A damilos fűkasza vágás közben leáll.	<ul style="list-style-type: none"> ■ A védőburkolat nincs felszerelve a fűkaszára, amely révén a vágószál túl hosszú, és a motor túlterhelt. ■ Nehéz vágószálat használ. ■ Az akkumulátoregység vagy a damilos fűkasza túl forró. ■ Az akkumulátoregység ki van véve a szerszámból. ■ Az akkumulátoregység lemerült. 	<ul style="list-style-type: none"> ■ Vegye ki az akkumulátoregységet, és szerelje fel a védőburkolatot a fűkaszára. ■ Használja az ajánlott nylon vágószálat, amelynek átmérője 2,4 mm. ■ Hűtse le az akkumulátort vagy a damilos fűkaszt. ■ Helyezze vissza az akkumulátoregységet. ■ Töltse fel az akkumulátoregységet.
A vágófej nem enged ki a szálat.	<ul style="list-style-type: none"> ■ A motor tengely vagy vágófej beakadt a fűbe. ■ Nincs elég szál az orsón, vagy a szál kijön a befűzőlyukból. ■ A szál összegabalyodott. ■ A szál túl rövid. ■ Nehéz vágószálat használ. ■ A vágófej rendellenesen működik. 	<ul style="list-style-type: none"> ■ Állítsa le a fűkaszt, vegye ki az akkumulátort, és tisztítsa meg a motortengelyt és vágófejet. ■ Vegye ki az akkumulátort, és cserélje ki a vágószálat a használati útmutató „VÁGÓSZÁL CSERÉJE” című fejezete szerint. ■ Vegye ki az akkumulátort; vegye ki a vágószálat a vágófejből, és tekerje fel újra a „VÁGÓSZÁL ÚJRATÖLTÉSE” című fejezet szerint. ■ Vegye ki az akkumulátort, és húzza ki a vágószálat kézzel, közben nyomja le, és oldja ki a vágófejet. ■ Használja az ajánlott nylon vágószálat, amelynek átmérője 2,4 mm. ■ Ha segítségre van szüksége, hívja az EGO ügyfélszolgálatot.

PROBLÉMA	OK	MEGOLDÁS
A vágófej továbbra is automatikusan kioldja a szálát.	<ul style="list-style-type: none"> ■ Könnyű vágószálat használ. 	<ul style="list-style-type: none"> ■ Használja az ajánlott nylon vágószálat, amelynek átmérője 2,4 mm.
Fű tekeredett a vágófejre és a motorházra.	<ul style="list-style-type: none"> ■ Magas fűvet vág a talajhoz közel 	<ul style="list-style-type: none"> ■ A magas fűvet felülről vágja, egyszerre 20 cm-nél többet ne vágjon, így elkerüli a feltekeredést.
A penge nem vágja el a szálát.	<ul style="list-style-type: none"> ■ A védőburkolat szélén lévő vágópenge tompává vált. 	<ul style="list-style-type: none"> ■ A vágópenge reszelővel való megélesítéséhez vagy új pengére való kicseréléséhez kövesse az utasításokat.
Repedések vannak a vágófejen	<ul style="list-style-type: none"> ■ A vágófej elhasználódott. 	<ul style="list-style-type: none"> ■ Azonnal cserélje ki a vágófejet a használati útmutató „VÁGÓFEJ CSERÉJE” című fejezete szerint.
A vágószál nem megfelelően csévélődik a vágófejbe.	<ul style="list-style-type: none"> ■ Nem megfelelő vágószálat használ. ■ A vágófejben fűmaradék vagy piszok gyűlt össze, ami akadályozza az orsó mozgását. ■ A motor túlmelegedett a vágószál-csévélő ismételt működtetésétől. ■ Alacsony akkumulátorkapacitás ■ A szál nem tekeredik fel az orsószervenyre. ■ A vágófej hibás. 	<ul style="list-style-type: none"> ■ Javasoljuk, hogy az eredeti EGO nylon vágószálat használja. Ha EGO nylon szálát használ, és a probléma továbbra is fennáll, forduljon az EGO ügyfélszolgálathoz tanácsért. ■ Vegye ki az akkumulátort, nyissa ki a vágófejet és tisztítsa meg alaposan. ■ Hagyja a damilos fűkaszt néhány percig terhelés nélkül működni, hogy a motor lehűljön, ezután próbálja ismét beadagolni a damilt. ■ Töltse fel az akkumulátort ■ Vágja le a szálát, majd illesse be újra. ■ Ha segítségre van szüksége, hívja az EGO ügyfélszolgálatot.
A vágószál nem vezethető át a vágófejen a vágószál behelyezésekor.	<ul style="list-style-type: none"> ■ A vágószál kettévált vagy meghajlott a vége. 	<ul style="list-style-type: none"> ■ Vágja le a szál elhasználódott végét, majd helyezze be újra.

GARANCIA

EGO GARANCIÁLIS FELTÉTELEK

Kérjük, látogasson el az egopowerplus.eu oldalra, ahol megtalálja a részletes EGO garanciális feltételeket.

CITIȚI TOATE INSTRUCȚIUNILE!



CITIȚI MANUALUL DE INSTRUCȚIUNI



Alertă privind siguranța



Purtați ochelari de protecție - Purtați întotdeauna ochelari de protecție sau ochelari de protecție cu apărători laterale și o vizieră facială completă când utilizați acest produs.



Purtați echipament de protecție auditivă—Purtați întotdeauna echipament de protecție auditivă când utilizați acest produs.



Deșeurile produselor electrice nu trebuie să fie eliminate împreună cu deșeurile menajere. Predați-le unui punct de reciclare autorizat.

RO



Păstrați distanța de siguranță—Distanța dintre mașină și persoanele aflate în apropiere trebuie să fie de cel puțin 15 m.



Lățime de tăiere - Lățimea maximă de tăiere a cositorii cu fir



Deconectați pachetul de baterii de la trimmerul cu fir înainte de a efectua lucrări de întreținere sau curățare



Acest produs este în conformitate cu legislația aplicabilă din Marea Britanie.

A Amperi

Cm Centimetru

≡ Curent continuu

SIMBOLUL DE SECURITATE

Exploatarea oricăror scule electrice se poate solda cu ricoșarea de obiecte străine în ochii dumneavoastră, ceea ce se poate solda cu vătămarea gravă a ochilor. Înainte de a începe să utilizați scula electrică, echipați-vă întotdeauna cu ochelari de protecție cu apărători laterale și vizieră pentru față, atunci când este nevoie. Vă recomandăm să purtați o vizieră lată de protecție peste ochelarii de vedere sau ochelari de protecție standard cu apărători laterale.



Pentru a reduce riscul de accidentări, utilizatorul trebuie să citească manualul de instrucțiuni.

IPX4

Protecție împotriva stropilor de apă



Nivel de putere acustică garantat.



Atenție la obiectele aruncate —Obiectele aruncate pot ricoșa și cauza vătămări corporale și pagube. Asigurați-vă că terții și animalele de companie se află la distanță de trimmerul cu fir când acesta este în funcțiune.



Nu folosiți lamele metalice la de trimmerul cu fir.



Diametrul firului - Diametrul firului de tăiere din nailon



Acest produs este în conformitate cu directivele europene aplicabile.

V Tensiune

mm Milimetru

kg Kilograme

... /min Pe minut

SPECIFICAȚII

Tensiune	56 V ---	
Turație la mers în gol	Interval de viteză mică: 3500-4800 min ⁻¹	
	Interval de viteză mare: 4000-5500 min ⁻¹	
Mecanismul firului de tăiere	ALIMENTARE FIR LINE-IQ	
Tipul firului de tăiere	fir de nailon răsucit de 2,4 mm	
Lățime de tăiere	40 cm	
Temperatură de funcționare recomandată	0°C - 40°C	
Temperatură de depozitare recomandată	-20°C - 70°C	
Greutate (fără set de acumulatori)	3,5 kg	
Nivel de putere sonoră măsurată L _{WA}	90 dB(A) K=2,5 dB(A)	
Nivel de presiune acustică la urechea operatorului L _{PA}	77 dB(A) K=3 dB(A)	
Nivel de putere sonoră garantat L _{WA} (măsurat în conformitate cu 2000/14/CE)	92 dB(A)	
Valoarea vibrațiilor a _v	Mâner frontal	3,9 m/s ² K = 1,5 m/s ²
	Mâner posterior	2,7 m/s ² K = 1,5 m/s ²

- Valoarea totală declarată a vibrațiilor a fost măsurată în conformitate cu o metodă standard de testare și poate fi utilizată pentru compararea sculelor între ele;
- Valoarea totală declarată poate fi utilizată în evaluarea preliminară a expunerii.

OBSERVAȚIE: Vibrațiile emise în timpul utilizării efective a sculei electrice pot diferi față de valoarea celor declarate pentru scula utilizată; Pentru protejerea operatorului, utilizatorul trebuie să poarte mănuși și protecții auditive în timpul utilizării efective a produsului.

DESCRIEREA

DESCRIEREA TRIMMERULUI CU FIR (Fig. A1)

1. Declanșator cu turație variabilă
2. Mâner posterior
3. Manetă de blocare
4. Comutator cu 2 viteze
5. Indicator de viteză
6. Guler de blocare pe înălțime
7. Mâner frontal reglabil rapid
8. Manetă de eliberare rapidă
9. Balama și bolț de blocare
10. Butonul POWERLOAD™
11. Cap de tăiere (cu alimentare fir LINE-IQ)
12. Fir de tăiere
13. Ureche de detașare
14. Lamă de tăiere fir
15. Apărătoare
16. Mecanism de ejectare
17. Zăvor
18. Buton de eliberare a acumulatorului
19. Cheie hexagonală
20. Bucălă curea de umăr
21. Curea de umăr

RO

LISTA COMPONENTELOR (FIG. A1)

ASAMBLARE

⚠️ AVERTISMENT: Dacă unele piese sunt deteriorate sau lipsesc, nu utilizați acest produs până la înlocuirea pieselor. Utilizarea acestui produs cu piese deteriorate sau lipsă s-ar putea solda cu vătămări grave.

⚠️ AVERTISMENT: Nu încercați să modificați acest produs sau să creați accesorii nerecomandate pentru această cositoare cu fir. Orice astfel de modificare sau schimbare reprezintă o utilizare necorespunzătoare și se poate solda cu condiții periculoase care pot conduce la posibile vătămări grave.

⚠️ AVERTISMENT: Pentru a preveni pornirea accidentală care ar putea cauza vătămări personale grave, întotdeauna scoateți setul de acumulatori din mașină când asamblați componente.

DESFĂȘURAREA AXULUI

⚠️ AVERTISMENT: Pentru a evita ciupirea mâinilor sau a degetelor, nu țineți axul de articulații.

⚠️ AVERTISMENT: Nu încercați să porniți mașina de tuns iarba până când nu a fost blocat axul.

Desfășurați ușor axul, asigurând cablul din interiorul acestuia și blocați-l cu șurubul cu cheia furnizată (Fig. B1 și B2).

MONTAREA APĂRĂTORII

⚠️ AVERTISMENT: Purtați întotdeauna mănuși când montați sau înlocuiți apărătoarea. Atenție la lama de pe protecție și protejați-vă mâinile pentru a nu fi rănite de lamă.

⚠️ AVERTISMENT: Nu utilizați niciodată mașina fără apărătoarea bine fixată. Apărătoarea trebuie să fie întotdeauna instalată pe mașină pentru a proteja utilizatorul! Când apărătoarea este atașată, nu încercați niciodată să o îndepărtați sau să o reglați; dacă este nevoie să fie înlocuită, această operație trebuie executată de un tehnician de service autorizat!

Poziționați mașina de tuns iarba astfel încât capul acesteia să fie orientat în sus (Fig. C1). Aliniați orificiile de montare cu orificiile ansamblului, după care blocați apărătoarea pe baza tijei cu ajutorul celor două șuruburi (Fig. C2).

OBSERVAȚIE: Asigurați-vă că apărătoarea este fixată conform ilustrațiilor din Fig. C1 și C2, orice fixare inversată va cauza un mare pericol!

MONTAREA ȘI REGLAREA MÂNERULUI FRONTAL

- Slăbiți și îndepărtați maneta de eliberare rapidă și piulița cu aripi de pe mânerul din față (Fig. D1).

D1-1	Mâner frontal	D1-2	Bloc de fixare
D1-3	Piuliță fluture	D1-4	Manetă de eliberare rapidă

- Împingeți mânerul din față pe arbore în zona de montare dintre colierul de blocare a înălțimii și balama (Fig. D2).
- Introduceți blocul de fixare în fanta mânerului (Fig. D3).
- Montați maneta de eliberare rapidă și strângeți în prealabil piulița cu aripi. Asigurați-vă că mânerul frontal este îndreptat în sus și este orientat spre partea superioară a mânerului posterior (Fig. D4).
- Trageți maneta de eliberare rapidă în sus pentru a muta/roti mânerul frontal într-o poziție de operare

confortabilă, apoi blocați maneta de eliberare rapidă (Fig. D5).

OBSERVAȚIE: Mânerul frontal trebuie poziționat pe arbore numai în zona de montare.

⚠️ AVERTISMENT: Scula nu poate fi utilizată fără ca mânerul frontal de susținere să fie bine fixat.

REGLAREA ÎNĂLȚIMII MAȘINII DE TUNS IARBA

Dacă lungimea axului nu este adecvată pentru funcționare, puteți regla lungimea axului cu ajutorul acestui gulerul de blocare pe înălțime.

- Detashați setul de acumulatori de pe mașina de tuns iarba.
- Pentru a regla înălțimea mașinii de tăiat iarba (adică lungimea arborelui), deschideți gulerul de blocare a înălțimii, apoi glisați arborele în sus sau în jos până la înălțimea dorită, fixându-l în poziție prin apăsarea gulerului de blocare a înălțimii (Fig. E).

E-1	Guler de blocare pe înălțime
-----	------------------------------

OBSERVAȚIE: Este posibil să fie necesară re poziționarea mânerului din față după modificarea înălțimii mașinii de tuns iarba.

ATAȘAREA CURELEI DE UMĂR

Pentru o funcționare mai sigură și mai bună, puneți cureaua peste unul dintre umeri și peste spate.

- Slăbiți butonul cu șurub și piulița hexagonală din bucla curelei de umăr (Fig. F1).

F1-1	Butonul cu șurub	F1-2	Piulițe hexagonale
F1-3	Bucla curelei de umăr		

- Așezați bucla curelei de umăr într-o poziție de funcționare confortabilă în zona de instalare, apoi fixați-o prin strângerea butonului cu șurub și a piuliței hexagonale.
- Apăsăți carabina curelei de umăr pentru a o deschide și atașați cureaua de umăr la orificiul de pe bucla curelei (Fig. F2).
- Reglați lungimea și plasarea curelei de umăr într-o poziție de lucru confortabilă.

⚠️ AVERTISMENT: În caz de urgență, îndepărtați imediat cureaua de pe umăr, indiferent de modul de instalare a curelei.

Nu utilizați simultan cureaua unică de umăr și cureaua

dublă de umăr cu suport de spate.

Atunci când purtați cureaua, nici un alt purtabil nu ar trebui să interfereze cu eliberarea și îndepărtarea curelei.

FUNȚIONARE

⚠️ AVERTISMENT: Purtați întotdeauna ochelari de protecție sau ochelari de protecție cu apărători laterale împreună cu protecții auditive. Nerespectarea acestei instrucțiuni ar putea avea ca rezultat proiectarea în ochi a obiectelor și alte posibile vătămări grave.

Tunderea: iarba și buruienile din jurul verandelor, gardurilor și teraselor.

Tăierea: utilizare pentru tăierea ierbii greu accesibile cu o mașină normală de tuns iarba.

ATAȘAREA/DETAȘAREA SETULUI DE ACUMULATORI

Utilizați numai seturile de acumulatori EGO și încărcătoarele prezentate în Fig. A2.

Încărcați acumulatorul complet înainte de prima utilizare.

Pentru atașare

Aliniați nervurile de pe acumulator cu fantele de montare și apăsați în jos setul de acumulatori până la auzul unui "clic" (Fig. G1).

Pentru detașare

Apăsați butonul de detașare al setului de acumulatori și scoateți setul de acumulatori (Fig. G2).

ȚINEREA TRIMMERULUI CU FIR (Fig. H)

Pentru o utilizare mai sigură și mai bună, așezați-vă pe umăr cureaua de umăr. Reglați lungimea și plasarea curelei de umăr la o poziție de lucru confortabilă - țineți mașina de tuns iarba cu ambele mâini: o mână pe mânerul din spate și cealaltă mână pe mânerul din față.

OBSERVAȚIE: Capul mașinii de tuns iarba este paralel cu solul la o distanță corectă de tăiere fără ca operatorul să fie nevoit să se aplece.

⚠️ AVERTISMENT: În caz de urgență, îndepărtați imediat cureaua de pe umăr, indiferent de modul de instalare a curelei.

PORNIREA/OPRIREA TRIMMERULUI CU FIR (Fig. I)

Pornirea

Deplasați maneta de blocare în direcția înainte și apoi apăsați pe declanșatorul cu viteză variabilă.

Declanșatorul este reglarea vitezei fără trepte. Cu cât trageți mai mult de declanșator, cu atât este mai mare viteza.

I-1	Limbă de blocare	I-2	Declanșator cu turaj variabilă
-----	------------------	-----	--------------------------------

Oprirea

Eliberați declanșatorul de viteză variabilă.

FUNȚIA DE REGLARE A VITEZEI (Fig. J)

Trimmerul cu fir are două setări de viteză. Apăsați comutatorul cu 2 viteze pentru a schimba viteza de tăiere între cea mică și cea mare.

Indicatorul de viteză va afișa starea vitezei active: o lumină pentru viteză redusă și două lumini pentru viteză mare. Intervalul viteze mici asigură un control mai bun al mașinii de tuns iarba și un timp de funcționare mai lung la fiecare încărcare.

J-1	Indicator de viteză	J-2	Comutator 2 viteze
-----	---------------------	-----	--------------------

UTILIZAREA TRIMMERULUI CU FIR

Curățați zona de tuns iarba înainte de fiecare utilizare. Îndepărtați toate obiectele, cum ar fi pietre, sticlă spartă, cuie, sârmă sau fire care pot fi aruncate sau se pot încurca în capul de tăiere. Îndepărtați din zonă copiii, trecătorii și animalele de companie. Țineți toți copiii, trecătorii și animalele la o distanță minimă de 15 m; poate exista totuși un risc pentru trecători datorită obiectelor aruncate. Trecătorii trebuie încurajați să poarte ochelari de protecție. Dacă cineva se apropie de dumneavoastră, opriți imediat motorul și capul de tăiere.

Înainte de fiecare utilizări, verificați pentru depistarea pieselor uzate/avariate.

Verificați capul mașinii de tuns iarba, protecția, cureaua de umăr, bucla curelei de umăr și mânerul din față. Înlocuiți orice piesă care este crăpată, deformată, îndoită sau deteriorată în vreun fel.

Lama de tăiere a firului de pe muchia apărătorii se poate toci cu timpul. Se recomandă să o ascuțiți periodic cu o pilă sau să o înlocuiți cu una nouă.

⚠️ AVERTISMENT: Purtați întotdeauna mănuși atunci când montați sau înlocuiți apărătoarea sau atunci când ascuțiți sau înlocuiți lama de tăiere a firului. Rețineți amplasarea lamei pe apărătoare și protejați-vă mâinile de răni.

Verificați de blocaje ale capului trimmer

RO

- Pentru a preveni blocarea, păstrați capul trimmer curat. Îndepărtați iarba tăiată, frunzele, murdăria și orice alte resturi acumulate înainte și după fiecare utilizare.
- Când se întâmplă blocaj, opriți trimmerul cu fir și scoateți bateria, apoi îndepărtați orice iarbă care s-ar fi înfășurat în jurul arborelui motorului sau a capului trimmer.

După fiecare utilizare, curățați mașina de tuns iarba.

REGLAREA LUNGIMII FIRULUI DE TĂIERE

Capul de alimentare cu fir Line-IQ al mașinii de tuns iarba este echipat cu tehnologie avansată.

În cazul în care oricare dintre capetele liniei de tăiere are o lungime mai mică de 18 cm în timpul tăierii, capul de tăiere va elibera automat firul de tăiere, iar partea suplimentară a liniei de tăiere va fi tăiată de lama de tăiere a firului (Fig. K).

OBSERVAȚIE: Nu este nevoie să bateți capul mașinii de tuns pentru a elibera firul de tăiere. Dacă simțiți un tremur ușor al capului mașinii de tuns iarba atunci când tăiați iarba, înseamnă că firul de tăiere este eliberat automat.

⚠️ AVERTISMENT: Nu îndepărtați și nu modificați ansamblul lamei de tăiere a firului. Lungimea excesivă a firului poate cauza supraîncălzirea motorului și poate duce la vătămări personale grave.

ÎNLOCUIREA FIRULUI

OBSERVAȚIE: Utilizați întotdeauna firul de tăiere din nailon recomandat, cu un diametru de 2,4 mm.

Utilizarea unui fir diferit de cel specificat poate duce la supraîncălzirea mașinii de tuns iarba sau la deteriorarea acesteia.

⚠️ AVERTISMENT: Nu utilizați niciodată fir de metal ranforsat, sârmă sau frânghie etc. Acestea se pot rupe și pot deveni proiectile periculoase.

Trimmerul cu fir este echipată cu un sistem avansat POWERLOAD™. Firul de tăiere poate fi înfășurat pe bobină prin simpla apăsare a unui singur buton. Încărcarea unei bobine pline poate fi finalizată, de obicei, în 12 secunde. **Evitați repetarea operațiunii de înfășurare în succesiuni rapide pentru a reduce riscul de avariere a motorului.**

1. Îndepărtați setul de acumulatori.
2. Tăiați o bucată de fir de tăiere cu lungimea de 4 m.
3. Introduceți firul în orificiu și împingeți firul până când celălalt capăt iese prin orificiul opus.(Fig. L1)

L1-1	Fir de tăiere	L1-2	Ochet
------	---------------	------	-------

OBSERVAȚIE: Nu este necesar să aliniați ochiurile pentru a introduce firul de tăiere. Dacă firul nu poate fi introdus în ochi, montați pachetul de baterii pe mașina de tuns iarba, apoi apăsați scurt butonul POWERLOAD pentru a reseta mecanismul de înfășurare.

4. Scoateți acumulatorul dacă a fost montat pe mașina de tuns la pasul 3.
5. Trageți firul din partea opusă până când în ambele laturi ale capului mașinii de tuns iarba firele au aceeași lungime (Fig. L2).
6. Atașați setul de acumulatori pe trimmerul cu fir.
7. Apăsați și mențineți apăsat butonul POWERLOAD pentru a porni motorul de bobinare. Firul se va înfășura pe capul mașinii de tuns iarba în mod continuu.
8. Priviți cu atenție firul rămas. Pregătiți-vă să eliberați butonul imediat ce aproximativ 22 cm de fir rămân de-o parte și de cealaltă. Apăsați scurt butonul de încărcare a firului pentru a regla lungimea până când 18 cm de fir se află în ambele părți(Fig. L3).

OBSERVAȚIE: În cazul tragerii accidentale a firului în capul mașinii de tuns iarba, desfaceți capul și scoateți firul din bobină. Respectați instrucțiunile din capitolul "ÎNCĂRCAREA FIRULUI DE TĂIERE" din acest manual pentru realimentarea cu fir.

REÎNCĂRCAȚI FIRUL DE TĂIERE

OBSERVAȚIE: Atunci când firul de tăiere se blochează în capul mașinii de tuns iarba, va trebui să scoateți firul de tăiere rămasă din capul mașinii de tuns iarba și să urmați pașii de mai jos pentru a reîncărca firul.

1. Îndepărtați setul de acumulatori.
2. Apăsați cele două clape de detașare de pe capul cositorii și scoateți ansamblul capacului inferior extrăgându-l direct (Fig. M1 & M2).

M1-1	Clapă de detașare	M1-2	Ansamblul apărătorii inferioare
------	-------------------	------	---------------------------------

3. Scoateți firul de tăiere de pe capul mașinii de tuns iarba.
4. Ținând cositoarea cu o mână, utilizați o altă mână pentru a apuca ansamblul capacului inferior și aliniați fantele din ansamblul capacului inferior cu clapetele de detașare. Apăsați ansamblul capacului inferior până când acesta se anclanșează în poziție, moment în care veți auzi un clichet distinct (Fig. M3).

M3-1	Clapă de detașare	M3-2	Fantă
------	-------------------	------	-------

5. Urmați instrucțiunile din secțiunea „**ÎNLOCUIREA FIRULUI DE TĂIERE**” pentru a reîncărca firul de tăiere.

ÎNLOCUIREA CAPULUI COSITORII

⚠️ AVERTISMENT: În cazul care capul se slăbește după fixarea sa în poziție, înlocuiți-l imediat. Nu utilizați niciodată o cositoare cu un cap de tăiere slăbit. Înlocuiți imediat un cap de tăiere fisurat, avariat sau uzat, chiar dacă defectul se limitează la fisuri superficiale. Astfel de accesorii se pot sparge la viteză mare și pot cauza răni grave.

Familiarizați-vă cu mașina de tuns iarba (Fig. N1)

N1-1	Capac inferior	N1-2	Piuliță
N1-3	Ansamblu bobină	N1-4	Bucșă

ÎNDEPĂRTAREA CAPULUI MAȘINII DE TUNS IARBA

1. Îndepărtați setul de acumulatori.
2. Apăsăți clape de detașare de pe capul mașinii de tuns și îndepărtați capacul inferior al capului mașinii de tuns trăgându-l drept afară (a se vedea Fig. M1 și M2).
3. Scoateți firul de tăiere de pe capul mașinii de tuns iarba (Fig. N2).
4. Purtați mănuși. Cu o mână, apucați de ansamblul bobinei pentru a-l stabiliza și utilizați cealaltă mână pentru a slăbi piulița cu ajutorul unei chei cu impact (neincluse), în direcția opusă acelor de ceasornic (Fig. N3).

N3-1	Piuliță	N3-2	Cheie cu impact (nu este inclusă)
------	---------	------	-----------------------------------

5. Îndepărtați ansamblul bobinei și bucșa de pe arborele motorului. Păstrați bucșa pentru asamblarea ulterioară.
6. Înlocuiți cu un cap nou de cositoare și montați-l în ordinea următoare.

INSTALAREA NOULUI CAP DE MAȘINA DE TUNS IARBA

1. Montați bucșa în arborele motorului și montați ansamblul bobinei în poziție. Folosiți o cheie cu impact pentru a strânge piulița.

2. Montați ansamblul capacului inferior (a se vedea Fig. M3).
3. Reîncărcați firul de tăiere.
4. Poniți unealta pentru a vă asigura că trimmerul cu fir funcționează corect. În caz contrar, reasamblați-l conform descrierilor de mai sus.

ÎNȚREȚINEREA

⚠️ AVERTISMENT: La depanare, utilizați numai piese de schimb identice. Utilizarea oricărui altor piese poate crea un pericol sau poate produce o deteriorare. Pentru siguranța și fiabilitatea produsului, toate reparațiile trebuie efectuate de către un tehnician de service autorizat.

⚠️ AVERTISMENT: Pentru prevenirea vătămarilor corporale grave, scoateți setul de acumulatori din sculă înainte de a depana, curăța sau de a îndepărta materialul din produs.

⚠️ ATENȚIE: Obținerea orificiilor de ventilație va împiedica pătrunderea aerului în carcasa motorului și va provoca supraîncălzirea sau deteriorarea motorului.

CURĂȚAREA PRODUSULUI

- Curățați scula electrică cu o cârpă umedă, înmuiată în detergent cu acțiune moderată. Nu lăsați niciun lichid să pătrundă în interiorul sculei; nu scufundați niciodată vre-o parte a sculei în vreun lichid.
- Nu utilizați detergenți puternici pe carcasa de plastic sau pe mâner. Acestea pot fi deteriorate de anumite uleiuri parfumate precum brad și lămâie, și de către solvenți precum kerosenul. Umezeala poate cauza un risc de electrocutare. Ștergeți umezeala cu o cârpă moale și uscată.
- Utilizați o perie mică sau o perie cu jet de aer de la un aspirator mic pentru a curăța orificiile de ventilație de pe carcasa posterioară.
- Păstrați fantele de aerisire neobstrucționate.

ASCUȚIREA LAMEI DE TĂIERE A FIRULUI

⚠️ AVERTISMENT: Întotdeauna protejați-vă mâinile purtând mănuși super rezistente când efectuați orice operație de întreținere a lamei de tăiere a firului.

1. Slăbiți cele două șuruburi și scoateți lama de tăiere a liniei de pe apărătoare (Fig. O).

O-1	Șuruburi	O-2	Lamă de tăiere fir
-----	----------	-----	--------------------

RO

2. Prindeți lama într-o menghină.
3. Piliți cu grijă muchiile lamei cu o pilă fină sau cu o piatră de ascuțit, menținând cu atenție unghiul inițial de tăiere al muchiei.
4. Reamplasați lama pe apărătoare și prindeți-o cu cele două șuruburi.

DEPOZITAREA PRODUSULUI

- Detașați setul de acumulatori de pe mașina de tuns iarba.
- Curățați aparatul bine înainte de a-l depozita.
- Depozitați produsul într-un loc uscat, bine ventilat, închis cu cheia sau la înălțime, inaccesibil copiilor. Nu depozitați produsul peste sau lângă îngrășăminte, benzină sau alte substanțe chimice.

Protejarea mediului înconjurător



Nu eliminați echipamentul electric, acumulatorul epuizat și încărcătorul de acumulator împreună cu deșeurile menajere! Predați acest produs unui punct de reciclare autorizat sau puneți-l la dispoziția colectării separate. Sculele electrice trebuie returnate unui centru de reciclare ecologic.

DEPANARE

PROBLEMĂ	CAUZĂ	SOLUȚIE
Trimmerul iarba cu fir nu pornește.	<ul style="list-style-type: none"> ■ Setul de acumulatori nu este atașat de mașina de tuns iarba. ■ Nu există contact electric între foarfece și acumulator. ■ Setul de acumulatori este descărcat. ■ Întrerupătorul de blocare nu este deplasat înainte de a apăsa declanșatorul de viteză variabilă. ■ Axul motorului sau capul cositorii este blocat cu iarbă. 	<ul style="list-style-type: none"> ■ Atașați setul de acumulatori la mașina de tuns iarba. ■ Îndepărtați acumulatorul, verificați contactele și reinstalați setul de acumulatori. ■ Încărcați setul de acumulatori. ■ Deplasați maneta de blocare în direcția înainte și apoi apăsați pe declanșatorul cu viteză variabilă. ■ Îndepărtați iarba de pe arborele motorului și de pe capul mașinii de tuns iarba.
Trimmerul cu fir se oprește în timpul utilizării.	<ul style="list-style-type: none"> ■ Apărătoarea nu este montată pe mașina de tuns iarba, având ca rezultat un fir de tăiere prea lung și suprasolicitarea motorului. ■ Este utilizat un fir de tăiere gros. ■ Setul de acumulatori sau trimmerul cu fir sunt prea fierbinți. ■ Setul de acumulatori este deconectat de la sculă. ■ Setul de acumulatori este descărcat. 	<ul style="list-style-type: none"> ■ Îndepărtați setul de acumulatori și montați apărătoarea pe mașina de tuns iarba. ■ Utilizați firul de tăiere din nailon recomandat cu diametrul de 2,4 mm. ■ Lăsați să se răcească setul de acumulatori sau trimmerul cu fir. ■ Reinstalați setul de acumulatori. ■ Încărcați setul de acumulatori.
Capul cositorii nu mai avansează fir.	<ul style="list-style-type: none"> ■ Axul motorului sau capul cositorii este blocat cu iarbă. ■ Pe bobină nu mai este suficient fir sau firul se rupe din ochet. ■ Firul este încurcat. ■ Firul este prea scurt. ■ Este utilizat un fir de tăiere gros. ■ Funcționare defectuoasă a capului mașinii de tuns iarba. 	<ul style="list-style-type: none"> ■ Opriți mașina de tuns iarba, îndepărtați acumulatorul și curățați iarba de pe axul motorului și capul cositorii. ■ Îndepărtați acumulatorul și înlocuiți firul de tăiere; respectați instrucțiunile din secțiunea „ÎNLOCUIREA FIRULUI” din acest manual. ■ Îndepărtați acumulatorul, îndepărtați firul de pe capul cositorii și reînfasurați-l; respectați instrucțiunile din secțiunea „REÎNCĂRCAREA FIRULUI DE TĂIERE” din acest manual. ■ Îndepărtați acumulatorul și scoateți firele manual în timp ce apăsați alternativ în jos și eliberați capul mașinii de tuns iarba. ■ Utilizați firul de tăiere din nailon recomandat cu diametrul de 2,4 mm. ■ Contactați Serviciul clienți EGO pentru ajutor.

RO

PROBLEMĂ	CAUZĂ	SOLUȚIE
Capul mașinii de tuns iarba continuă să elibereze fir în mod automat.	<ul style="list-style-type: none"> Este utilizat un fir de tăiere ușor. 	<ul style="list-style-type: none"> Utilizați firul de tăiere din nailon recomandat cu diametrul de 2,4 mm.
Iarba este înfășurată în jurul capului cositorii și al carcasei motorului.	<ul style="list-style-type: none"> Se taie iarbă înaltă la nivelul solului. 	<ul style="list-style-type: none"> Tăiați iarba înaltă de sus în jos, îndepărtând maxim 20cm cu fiecare tăiere pentru a preveni înfășurarea.
Lama nu taie firul.	<ul style="list-style-type: none"> Lama de tăiere a firului situată pe marginea apărătorii s-a tocit. 	<ul style="list-style-type: none"> Respectați instrucțiunile pentru a ascuți lama de tăiere a firului cu o pilă sau înlocuiți-o cu o lamă nouă.
Crăpături pe capul de tuns iarba	<ul style="list-style-type: none"> Capul cositorii este uzat. 	<ul style="list-style-type: none"> Înlocuiți imediat capul cositorii; urmărind „ÎNLOCUIREA CAPULUI MAȘINII DE TUNS IARBA” din acest manual.
Firul de tăiere nu se poate înfășura pe capul cositorii în mod adecvat.	<ul style="list-style-type: none"> Se utilizează un fir de tăiere necorespunzător. S-au acumulat resturi de iarbă sau murdărie în capul cositorii și au blocat mișcarea bobinei cu fir. Motorul este supraîncălzit din cauza funcționării repetate a sistemului de înfășurare a firului. Capacitate scăzută a bateriei Firul nu este înfășurat în ansamblul bobinei. Capul mașinii de tuns iarba este defect. 	<ul style="list-style-type: none"> Vă sugerăm să folosiți firul de tăiere din nailon original EGO. Dacă utilizați fir de nailon EGO și problema persistă, vă rugăm să apelați serviciul clienți EGO pentru sfaturi. Îndepărtați acumulatorul, deschideți capul cositorii și curățați-l temeinic. Lăsați trimmerul cu fir să funcționeze în gol timp de câteva minute pentru a se răci motorul, apoi încercați să reîncărcați firul. Încărcați acumulatorul. Scoateți firul și reintroduceți-l. Contactați Serviciul clienți EGO pentru ajutor.
Firul de tăiere nu poate fi trecut prin capul cositorii când se introduce firul.	<ul style="list-style-type: none"> Firul de tăiere este divizat sau îndoit la capăt. 	<ul style="list-style-type: none"> Tăiați capătul uzat al firului și reintroduceți.

RO

GARANȚIE

POLITICA PRIVIND GARANȚIA EGO

Vă rugăm să consultați site-ul egopowerplus.eu pentru termenii și condițiile complete ale politicii privind garanția EGO.

PREBERITE VSA NAVODILA!



PREBERITE UPORABNIŠKI PRIROČNIK.



Varnostno opozorilo



Uporaba zaščite za oči – pri upravljanju tega izdelka vedno nosite zaščitna očala ali varnostna očala s stransko zaščito in zaščito za celoten obraz.



Uporaba zaščite za ušesa – pri upravljanju tega izdelka vedno nosite zaščito za ušesa.



Odpadnih električnih izdelkov ne odlagajte med gospodinske odpadke. Odnosite jih v pooblaščen obrat za recikliranje.



Ohranite varno razdaljo – razdalja med strojem in navzočimi opazovalci mora biti najmanj 15 m



Širina košnje – največja širina košnje kosilnice z nitko



Pred začetkom vzdrževanja ali čiščenja s kosilnice z nitko odklopite baterijski sklop.



Ta izdelek je skladen z veljavno zakonodajo VB.

A Amperi

Cm Centimeter

⎓ Enosmerni tok

VARNOSTNI SIMBOL

Delovanje katerega koli električnega orodja lahko povzroči metanje tujkov v vaše oči, kar lahko povzroči resne poškodbe očesa. Pred začetkom dela z električnim orodjem vedno nosite zaščitna očala ali varnostna očala s stranskimi zaščitami in po potrebi tudi ščit za celoten obraz. Priporočamo vam uporabo varnostne maske Wide Vision Safety Mask za uporabo preko očal ali standardnih varnostnih očal s stransko zaščito.



Za zmanjšanje nevarnosti telesnih poškodb je pomembno, da uporabnik prebere priročnik z navodili za uporabo.

IPX4

Zaščita pred pljuski vode



Zagotovljena raven zvočne moči



Pazite na izvržene predmete – izvrženi predmeti se lahko odbijejo in povzročijo telesno poškodbo ali materialno škodo. Poskrbite, da bodo drugi ljudje in hišni ljubljenci ustrezno oddaljeni od kosilnice z nitko, ko je ta v uporabi.



Ne uporabljajte kovinskih rezil na kosilnici z nitko.



Premer nitke – premer najlonske nitke



Ta izdelek je skladen z veljavnimi direktivami ES.

V Napetost


mm Milimeter

kg Kilogram

... /min Na minuto

SL

TEHNIČNI PODATKI

Napetost	56 V 	
Št. vrtljajev v prostem teku	Razpon nizke hitrosti: 3500-4800 min ⁻¹	
	Razpon visoke hitrosti: 4000-5500 min ⁻¹	
Mehanizem nitke za košnjo	LINE-IQ FEEDING	
Vrsta nitke za košnjo	2,4 mm najlonska zavita nitka	
Širina košnje	40 cm	
Priporočena obratovalna temperatura	od -0°C do 40°C	
Priporočena temperatura za shranjevanje	od -20°C do 70°C	
Teža (brez baterijskega sklopa)	3,5 kg	
Izmerjena raven zvočne moči L _{WA}	90 dB(A) K=2,5 dB(A)	
Raven zvočnega tlaka v ušesu upravljavca L _{PA}	77 dB(A) K=3 dB(A)	
Zajamčena raven zvočnega tlaka L _{WA} (izmerjena glede na 2000/14/EC)	92 dB(A)	
Vrednotenje oddajanja vibracij a _h	Sprednji ročaj	3,9 m/s ² K = 1,5 m/s ²
	Zadnji ročaj	2,7 m/s ² K = 1,5 m/s ²

SL

- Nazivna skupna vrednost treslajev je bila izmerjena v skladu s standardno preskusno metodo in jo je mogoče uporabiti za primerjavo enega orodja z drugim.
- Nazivno skupno vrednost treslajev je mogoče uporabiti tudi za predhodno oceno izpostavljenosti.

OPOMBA: oddajanje treslajev med dejansko uporabo električnega orodja se lahko razlikuje od nazivne vrednosti, v kateri se uporablja orodje. Upravljavec se lahko zaščiti tako, da uporablja rokavice in naušnike, primerne dejanskim pogojem uporabe.

OPIS

SPOZNAJTE SVOJO KOSILNICO Z NITKO (slika A1)

1. Sprožilec za nastavitve števila vrtljajev
2. Zadnji ročaj
3. Zaklepni jeziček

4. Dvostopenjsko stikalo za nastavitve hitrosti
5. Indikator hitrosti
6. Po višini nastavljava zaklepna naramnica
7. Hitro nastavljiv sprednji ročaj
8. Ročica za hitro sprostitvev
9. Somik za tečaj in zaklep
10. Gumb POWERLOAD™
11. Glava obrezovalnika (s podajanjem LINE-IQ)
12. Nitka za košnjo
13. Jeziček za sprostitvev
14. Rezilo nitke za košnjo
15. Varovalo
16. Mehanizem za izmet
17. Zapah
18. Gumb za sprostitvev baterije
19. Imbusni ključ
20. Zanka za ramenski pas
21. Ramenski pas

VSEBINA PAKETA (SL. A1)

SESTAVLJANJE

⚠ OPOZORILO: Če so deli poškodovani ali manjkajo, orodja ne uporabljajte, dokler ne zamenjate delov. Če ta izdelek uporabljate s poškodovanimi ali manjkajočimi deli, lahko pride do hudih telesnih poškodb.

⚠ OPOZORILO: Tega orodja ne poskušajte spreminjati in ne poskušajte izdelovati dodatkov, ki niso primerni za uporabo s to kosilnico z nitko. Vsako tako spreminjanje ali predelava se šteje za napačno uporabo in povzroči tveganja, ki lahko povzročijo hude telesne poškodbe.

⚠ OPOZORILO: Pri nameščanju delov vedno odstranite baterijski sklop, da preprečite nenamerni zagon, ki bi lahko povzročil resno telesno poškodbo.

RAZPIRANJE GREDI

⚠ OPOZORILO: Gredi ne držite na spoju, da preprečite stiskanje rok ali prstov.

⚠ OPOZORILO: kosilnice ne zaženite, dokler gredi ne zaklenete.

Gred nežno razprite, tako da kabel ostane v gredi, nato pa gred zaklenite, da s priloženim ključem privijete somik (sliki B1 in B2).

NAMEŠČANJE VAROVALA

⚠ OPOZORILO: pri montaži ali zamenjavi ščitnika vedno nosite rokavice. Pazite na rezilo na ščitniku in zaščitite dlani, da se ne poškodujete.

⚠ OPOZORILO: Stroja nikoli ne upravljajte brez ščitnika, varno pritrjenega na mestu. Ščitnik mora biti vedno pritrjen na orodju za zaščito uporabnika! Ko je ščitnik pritrjen, ga ne poskušajte odstraniti ali prilagoditi. Če ga morate zamenjati, naj delo izvede kvalificiran serviser!

Kosilnico namestite tako, da bo glava kosilnice usmerjena navzgor (slika C1). Odprtine za namestitev varovala poravnajte z odprtinami za sestavljanje in nato varovalo zaklenite na podnožje gredi z dvema vijakoma (slika C2).

OPOMBA: prepričajte se, da je varovalo pritrjeno v skladu s slikama C1 in C2. Kakršna koli drugačna namestitev bo povzročila veliko nevarnost!

NAMESTITEV IN PRILAGAJANJE SPREDNJEGA ROČAJA

- Odvijte in odstranite ročico za hitro sprostitvev in krilno matico s sprednjega ročaja (slika D1).

D1-1	Sprednji ročaj	D1-2	Pritrdilni blok
D1-3	Krilna matica	D1-4	Ročica za hitro sprostitvev

- Sprednji ročaj za prijem potisnite na gred v območju namestitve med po višini nastavlljivo zaklepno naramnico in zgib (slika D2).
- Pritrdilni blok vstavite v režo ročaja (slika D3).
- Namestite ročico za hitro sprostitvev in predhodno privijte krilno matico. Preverite, ali je sprednji ročaj za prijem obrnjen navzgor in kaže v smeri zgornjega dela zadnjega ročaja (slika D4).
- Povlecite ročico za hitro sprostitvev navzgor, da premakne/zavrtite sprednji ročaj v udoben delovni položaj, nato pa zaklenite ročico za hitro sprostitvev (slika D5).

OPOMBA: Sprednji ročaj mora biti nameščen na gredi samo znotraj montažnega območja.

⚠ OPOZORILO: orodja ni mogoče uporabljati, če sprednji ročaj za prijem ni dobro pritrjen.

PRILAGAJANJE VIŠINE OBREZOVALNIKA

Če dolžina gredi ni primerna za upravljanje, lahko dolžino gredi nastavite s pomočjo po višini nastavljive zaklepne naramnice.

- Iz kosilnice odstranite baterijski sklop.
- Če želite prilagoditi višino obrezovalnika (tj. dolžino gredi), odprite po višini nastavlljivo zaklepno naramnico in nato potisnite gred navzgor ali navzdol na želeno višino ter jo pritrдите tako, da pritisnete po višini nastavlljivo zaklepno matico (slika E).

E-1	Po višini nastavljiva zaklepna naramnica
-----	--

OPOMBA: Po spremembi višine obrezovalnika boste morda morali prestaviti sprednji ročaj.

NAMEŠČANJE RAMENSKEGA PASU

Za varno in boljše delovanje namestite pas čez eno od ramen in čez hrbet.

- Odvijte vijadni gumb in šeststrobo matico iz zanke ramenskega pasu (slika F1).

F1-1	Vijačni gumb	F1-2	Šeststroba matica
F1-3	Zanka ramenskega pasu		

- Vstavite zanko ramenskega pasu v udoben delovni položaj znotraj območja namestitve, nato pa jo pritrдите tako, da zategnete vijadni gumb in šeststrobo matico.
- Pritisnite karabinjer ramenskega pasu, da ga odprete in pritrдите na odprtino na zanki ramenskega pasu (slika F2).
- Dolžino ramenskega pasu nastavite v udoben položaj za upravljanje.

⚠ OPOZORILO: V nujnih primerih ga nemudoma snemite z rame, ne glede na to, kako je vstavljen.

Istočasno ne smete uporabljati enojnega in dvojnega ramenskega pasu.

Pri nošenju pasu noben drug nosilec ne sme ovirati sproščanja in odstranjevanja pasu.

UPRAVLJANJE

⚠ OPOZORILO: vedno uporabljajte zaščitna očala ali varnostna očala s stransko zaščito ter ustrezno zaščito za sluh. V nasprotnem primeru vam lahko v oči priletijo predmeti ali pride do drugih hudih telesnih poškodb.

Obrezovanje: trava in plevel okoli verand, ograj in poti.

Rezanje: trava, ki jo je z običajno kosilnico težko doseči.

PRIKLJUČITEV/ODKLOP BATERIJSKEGA SKLOPA

Uporabljajte samo z baterijskimi sklopi in polnilniki

SL

EGO, navedenimi na sliki A2.

Pred prvo uporabo baterijo popolnoma napolnite.

Napotki za priključitev

Rebra baterije poravnajte z režami za namestitev in pritisnite baterijski sklop navzdol, da zaslišite »klik« (slika G1).

Napotki za odklop

Pritisnite gumb za sprostitev baterije in izvlecite baterijski sklop (slika G2).

DRŽANJE KOSILNICE Z NITKO (slika H)

Za varno in boljše upravljanje si preko rame nadenite ramenski pas. Prilagodite dolžino ramenskega pasu in ga namestite do udobnega položaja za upravljanje. Pridržite obrezovalnik z obema rokama: eno roko imejte na zadnjem ročaju, drugo pa na sprednjem.

OPOMBA: Glava kosilnice z nitko je vzporedna s tlemi na primeri razdalji za košnjo, pri čemer se upravljavec ne sklanja prek kosilnice.

⚠ OPOZORILO: V nujnih primerih ramenski pas nemudoma snemite z rame, ne glede na to, kako je ramenski pas nameščen.

ZAGON/ZAUSTAVITEV KOSILNICE Z NITKO (slika I)

Zagon

Zaklepni jeziček potisnite naprej, nato pritisnite sprožilec spreminjanja hitrosti.

Sprožilec omogoča brezstopenjsko nastavljanje hitrosti. Bolj kot povlečete sprožilec, višja je hitrost.

I-1	Zaklepni jeziček	I-2	Sprožilec spreminjanja hitrosti
-----	------------------	-----	---------------------------------

Zaustavitev

Sprostite sprožilec spremenljive hitrosti.

FUNKCIJA PRILAGAJANJA HITROSTI (slika j)

Kosilnica z nitko ima dve nastavitvi hitrosti. Pritisnite dvostopenjsko stikalo za hitrost, da spremenite hitrost rezanja med nizko in visoko.

Indikator hitrosti bo prikazal stanje aktivne hitrosti: ena lučka za nizko hitrost in dve lučki za visoko hitrost. Območje nizke hitrosti omogoča boljši nadzor nad obrezovalnikom in daljši čas delovanja na polnjenje.

J-1	Indikator hitrosti	J-2	Dvostopenjsko stikalo za nastavev hitrosti
-----	--------------------	-----	--

UPORABA KOSILNICE Z NITKO

Pred vsako uporabo počistite območje košnje. Odstranite vse predmete, kot so kamni, zdrobljeno steklo, žebliji, žica ali vrvi, ki jih lahko izvrže ali se zapletejo v priključek za košnjo. Otroci, prisotni in hišni ljubljenci naj se ne zadržujejo na območju. Otroci, prisotni in hišni ljubljenci naj bodo oddaljeni vsaj 15 m. Še vedno obstaja nevarnost izvrženih predmetov za osebe, ki se nahajajo v bližini. Prisotni naj uporabljajo tudi zaščito za oči. Če se vam nekdo približa, takoj ustavite motor in priključek za košnjo.

Pred vsako uporabo napravo pregledajte za poškodovane/obrabljene dele

Preverite glavo obrezovalnika, ščitnik, ramenski pas, zanko ramenskega pasu in sprednji ročaj. Zamenjajte vse dele, ki so na kakršen koli način razpokani, zviti, upognjeni ali poškodovani.

Rezilo z nitko na robu varovala lahko sčasoma postane topo. Priporočljivo je, da ga redno ostrite s pilo ali ga zamenjate z novim rezilom.

⚠ OPOZORILO: Pri ostrenju ali zamenjavi rezila nitke za košnjo vedno nosite rokavice. Bodite pozorni na položaj rezila na ščitniku in zaščitite dlan, da se ne poškodujete.

Preverite blokado glave kosilnice

- Da preprečite blokado, naj bo glava kosilnice čista. Pred in po vsaki uporabi odstranite pokošeno travo, listje, umazanijo in druge nakopičene ostanke.
- Ko pride do blokade, ustavite kosilnico z nitko in odstranite baterijo, nato odstranite travo, ki se je morda zavila okoli gredi motorja ali glave kosilnice.

Kosilnico po vsaki uporabi očistite.

PRILAGAJANJE DOLŽINE NITKE ZA KOŠNJO

Glava obrezovalnika Line-IQ je opremljena z napredno tehnologijo.

Če se med obrezovanjem kateri koli konec rezalne nitke odreže za manj kot 18 cm, glava obrezovalnika samodejno sprosti rezalno nitko, dodaten del rezalne nitke pa odreže rezilo nitje za košnjo (slika K).

OPOMBA: Glave kosilnice ni treba udariti, da sprosti nitko za košnjo. Če pri obrezovanju trave občutite rahlo trzanje glave obrezovalnika, to pomeni, da se nitka za košnjo samodejno sprosti.

⚠ OPOZORILO: sklopa rezila ne odstranjujte ali spreminjajte. Prevelika dolžina nitke bo povzročila pregrevanje motorja in lahko povzroči resno telesno poškodbo.

ZAMENJAVA NITKE

OPOMBA: Vedno uporabljajte priporočeno najlonsko nitko za rezanje s premerom 2,4 mm.

Uporaba drugačne nitke lahko povzroči pregrete orodja ali poškodbe kosilnice.

⚠ OPOZORILO: nikoli ne uporabljajte nitke s kovinsko ojačitvijo, žice ali vrvi itd. Lahko se odtrgajo in postanejo nevarne.

Kosilnica z nitko je opremljena z naprednim sistemom POWERLOAD™ Nitko za košnjo lahko ovijete na vreteno že z enim samim gumbom. Nalaganje polnega vretena se običajno lahko zaključi v 12 sekundah. **Izogibajte se prekomerni uporabi sistema za navijanje, da zmanjšate možnost poškodbe motorja.**

1. Odstranite baterijski sklop.
2. Odrežite 4 m dolg kos nitke za košnjo.
3. Nitko vstavite v vstavitveno odprtino in jo potiskajte, dokler se konec nitke ne pojavi v nasprotni vstavitveni odprtini (slika L1)..

L1-1	Nitka za košnjo	L1-2	Vstavitvena odprtina
------	-----------------	------	----------------------

OPOMBA: Ni potrebno poravnati vstavitvenih odprtin, da bi vstavili nitko za košnjo. Če nitke ni mogoče vstaviti v vstavitveno odprtino, namestite baterijski sklop nazaj na obrezovalnik, nato pa na kratko pritisnite gumb POWERLOAD, da ponastavite mehanizem za navijanje.

4. Odstranite baterijski sklop, če ste ga vgradili v obrezovalnik v 3. koraku.
5. Nitko povlecite na drugi strani ven, tako da dobite na obeh straneh glave obrezovalnika nitki enake dolžine (slika L2).
6. Baterijski sklop namestite v kosilnico z nitko.
7. Pritisnite gumb POWERLOAD in ga pridržite, da zaženete motor za navijanje nitke. Nitka se bo navila na glavo obrezovalnika.
8. Bodite pozorni na preostalo dolžino nitke. Gumb spustite takoj, ko je na obeh straneh na voljo še približno 22 cm nitke za košnjo. Na kratko pritisnite gumb za navijanje nitke, da prilagodite dolžino na približno 18 cm na vsaki strani (slika L3).

OPOMBA: Če nitko pomotoma potegne v glavo kosilnice,

odprite glavo in povlecite nitko iz vretena. Upoštevajte navodila v razdelku »NAVIJANJE NITKE ZA KOŠNJO« v tem priročniku in navijte nitko.

VNOVIČNO NAVIJANJE NITKE ZA KOŠNJO.

OPOMBA: Če se nitka za košnjo zatakne v glavi obrezovalnika, morate preostalo nitko za košnjo odstraniti iz glave obrezovalnika in znova naviti nitko po spodnjih korakih.

1. Odstranite baterijski sklop.
2. Pritisnite jezičke za sprostitve na glavi obrezovalnika in odstranite sklop spodnjega pokrova glave obrezovalnika tako, da ga izvlčete (sliki M1 in M2).

M1-1	Jeziček za sprostitve	M1-2	Sklop spodnjega pokrova
------	-----------------------	------	-------------------------

3. Odstranite nitko za košnjo iz glave obrezovalnika.
4. Z eno roko pridržite kosilnico, z drugo pa primate sklop spodnjega pokrova in reže v sklopu spodnjega pokrova poravnajte s sprostitvenima jezičkoma. Pritisnite sklop spodnjega pokrova, da se zaskoči na mesto. Ko se bo zaskočil, boste slišali značilen klik (slika M3).

M3-1	Jeziček za sprostitve	M3-2	Reža
------	-----------------------	------	------

5. Upoštevajte navodila v razdelku »ZAMENJAVA NITKE« in navijte nitko za košnjo.

SL

ZAMENJAVA GLAVE KOSILNICE

⚠ OPOZORILO: če se glava zrahlja potem, ko ste jo pričvrstili na mesto, jo nemudoma zamenjajte. Nikoli ne uporabljajte kosilnice, ki ima zrahljan priključek za košnjo. Razpokano, poškodovano ali izrabljeno glavo za košnjo nemudoma zamenjajte, tudi če gre le za površinske razpoke. Takšni priključki se lahko pri visokih hitrostih razletijo in povzročijo resne telesne poškodbe.

Seznajte se z glavo kosilnice (slika N1).

N1-1	Spodnji pokrov	N1-2	Matica
N1-3	Sestav vretena	N1-4	Puša

Odstranjevanje glave obrezovalnika

1. Odstranite baterijski sklop.
2. Pritisnite jezičke za sprostitve na glavi obrezovalnika in odstranite spodnji pokrov z glave obrezovalnika

tako, da ga izvlečete (glejte slike M1 in M2).

- Nitko za košnjo odstranite iz glave obrezovalnika (slika N2).
- Nosite rokavice. Z eno roko primate sklop vretena, da ga stabilizirate, z drugo roko pa primate udarni ključ (ni priložen) in zrahljate matico v nasprotni smeri urinega kazalca (slika N3).

N3-1	Matica	N3-2	Udarni ključ (ni priložen)
------	--------	------	----------------------------

- Odstranite sestav vretena in objemko iz gredi motorja. Shranite objemko za kasnejšo montažo.
- Zamenjajte z novo glavo kosilnice in jo vgradite ob upoštevanju naslednjih korakov.

Namestitev nove glave obrezovalnika

- Namestite objemko v gred motorja in namestite sestav tuljave na svoje mesto. Z udarnim ključem privijte matico.
- Namestite sklop spodnjega pokrova (glejte sliko M3).
- Vnovična namestitve nitke za košnjo.
- Zaženite orodje in preverite, ali kosilnica z nitko deluje pravilno. Če ne deluje pravilno, ga sestavite ponovno po navodilih, opisanih v tem dokumentu.

VZDRŽEVANJE

SL

⚠ OPOZORILO: Za popravila uporabljajte samo identične nadomestne dele. Uporaba drugih delov je tvegana in lahko poškoduje izdelek. Za zagotovitev varnosti in zanesljivosti mora vsa popravila izvesti usposobljen servisni tehnik.

⚠ OPOZORILO: Pred servisiranjem, čiščenjem ali odstranjevanjem materiala iz enote odstranite baterijski sklop iz orodja, da preprečite resne telesne poškodbe.

⚠ POZOR: če bodo na zračnih odprtinah ovire, bodo te ovirale tok zraka v ohišje motorja, kar bo privedlo do pregrevanja ali poškodbe motorja.

ČIŠČENJE ENOTE

- Enoto očistite z vlažno krpo in blagim detergentom. Ne dovolite, da bi tekočina vstopila v orodje. Nobenega dela orodja nikoli ne potopite v katero koli tekočino.
- Za čiščenje plastičnega ohišja ali ročaja ne uporabljajte močnih čistilnih sredstev. Poškodujejo jih lahko določena aromatična olja, kot sta olje bora in limone, ter topila, kot je kerozin. Vlaga prav tako lahko ustvari

nevarnost električnega udara. Vlago obrišite z mehko in suho krpo.

- Zračne odprtine v zadnjem delu ohišja očistite z majhno krtačo ali s krtačno majhnega sesalnika.
- Zračne odprtine ne smejo biti zamašene.

OSTRENJE REZILA NITKE ZA KOŠNJO

⚠ OPOZORILO: pri izvajanju vzdrževalnih del na rezilu nitke za košnjo vedno nosite zaščitne rokavice.

- Odvijte dva vijaki in odstranite rezilo nitke za košnjo s ščitnika (slika O).

O-1	Vijaki	O-2	Rezilo nitke za košnjo
-----	--------	-----	------------------------

- Rezilo postavite v primež.
- Robove rezila za rezanje pazljivo opilite z mehko pilo ali brusilnim kamnom, pri tem pa pazite, da boste ohranili prvotni kot roba za rezanje.
- Rezilo namestite nazaj na varovalo in ga pritrdite z dvema vijakoma.

SHRANJEVANJE ENOTE

- Iz kosilnice odstranite baterijski sklop.
- Orodje pred shranjevanjem temeljito očistite.
- Enoto shranjujte v suhem in dobro zračenem prostoru, ki ga je mogoče zakleniti ali je dvignjen in zunaj dosega otrok. Enote ne shranjujte na ali v bližini gnojil, bencina ali drugih kemikalij.

Varovanje okolja



Električne opreme, rabljenega akumulatorja in polnilnika ne odvrzite med gospodinjske odpadke. Izdelek odnesite na pooblaščen obrat za recikliranje in ga zavrzite ločeno. Električna orodja je treba odnesti na obrat za recikliranje in ga reciklirati na okolju prijazen način.

ODPRAVLJANJE TEŽAV

TEŽAVA	VZROK	REŠITEV
Kosilnice z nitko ni mogoče zagnati.	<ul style="list-style-type: none"> ■ Baterijski sklop ni nameščen v obrezovalniku. ■ Med obrezovalnikom in baterijo ni električnega stika. ■ Baterijski sklop je izprazen. ■ Stikalo za zaklep se ne premakne naprej, preden pritisnete sprožilec za nastavitev števila vrtljajev. ■ Okoli gredi motorja ali glave kosilnice je ovita trava. 	<ul style="list-style-type: none"> ■ Namestite baterijski sklop v obrezovalnik. ■ Odstranite baterijo, preverite kontakte in znova namestite baterijski sklop. ■ Napolnite baterijski sklop. ■ Zaklepni jeziček potisnite naprej, nato pritisnite sprožilec spreminjanja hitrosti. ■ Odstranite travo iz gredi motorja in glave obrezovalnika.
Kosilnice z nitko se med košnjo ustavi.	<ul style="list-style-type: none"> ■ Varovalo ni nameščeno na kosilnici, zato prihaja do predolge nitke za košnjo in do preobremenjenosti motorja. ■ Uporabljena je debela nitka za košnjo. ■ Baterijski sklop ali kosilnica z nitko je prevroča. ■ Baterijski sklop ni povezan z orodjem. ■ Baterijski sklop je izprazen. 	<ul style="list-style-type: none"> ■ Odstranite baterijski sklop in varovalo pritrdite na kosilnico. ■ Uporabite priporočeno najlonsko nitko za košnjo s premerom 2,4 mm. ■ Ohladite baterijo ali kosilnico z nitko. ■ Ponovno namestite baterijski sklop. ■ Napolnite baterijski sklop.
Glava obrezovalnika ne podaja nitke.	<ul style="list-style-type: none"> ■ Okoli gredi motorja ali glave kosilnice je ovita trava. ■ Na vretenu ni dovolj nitke ali pa se nitka odlomi z obročka. ■ Nitka je zapletena. ■ Nitka je prekratka. ■ Uporabljena je debela nitka za košnjo. ■ Glave obrezovalnika ne deluje pravilno. 	<ul style="list-style-type: none"> ■ Zaustavite kosilnico, odstranite baterijo, nato pa očistite gred motorja in glavo kosilnice. ■ Odstranite baterijo in zamenjajte nitko za košnjo, pri tem pa upoštevajte navodila v razdelku »ZAMENJAVA NITKE« v tem priročniku. ■ Odstranite baterijo, odstranite nitko iz glave obrezovalnika in jo znova navijte. Upoštevajte navodila v razdelku »VNOVIČNO NAVIJANJE NITKE ZA KOŠNJO« v tem priročniku. ■ Odstranite akumulator in ročno povlecite nitko, medtem ko izmenično pritiskate in sproščate glavo obrezovalnika. ■ Uporabite priporočeno najlonsko nitko za košnjo s premerom 2,4 mm. ■ Pokličite službo za pomoč uporabnikom EGO.

SL

TEŽAVA	VZROK	REŠITEV
Glava obrezovalnika še naprej samodejno sprošča nitko.	<ul style="list-style-type: none"> Uporabljena je tanka nitka za košnjo. 	<ul style="list-style-type: none"> Uporabite priporočeno najlonsko nitko za košnjo s premerom 2,4 mm.
Trava se ovija okoli glave obrezovalnika in ohišja motorja.	<ul style="list-style-type: none"> Košnja visoke trave pri tleh. 	<ul style="list-style-type: none"> Visoko travo kosite z vrha navzdol in je naenkrat ne pokosite več kot 20 cm, da preprečite ovijanje.
Rezilo ne reže nitke za košnjo.	<ul style="list-style-type: none"> Rezilo z nitko na robu varovala je postalo topo. 	<ul style="list-style-type: none"> Rezilo za rezanje nitke za košnjo naostrite s pilo v skladu z navodili ali pa ga zamenjate z novim rezilom.
Razpoke na glavi obrezovalnika	<ul style="list-style-type: none"> Glava kosilnice je izrabljena. 	<ul style="list-style-type: none"> Glavo obrezovalnika takoj zamenjajte, pri tem pa upoštevajte navodila v razdelku »ZAMENJAVA GLAVE OBREZOVALNIKA« v tem priročniku.
Nitka se ne navije ustrezno na glavo kosilnice.	<ul style="list-style-type: none"> Uporabljena je neustrezna nitka za košnjo. V glavi kosilnice so se nakopičili ostanki ali umazanija, ki blokira premikanje vretena z nitko. Motor se je pregrel zaradi ponavljajoče uporabe sistema za odvijanje nitke. Nizka zmogljivost baterije. Nitka ni navita v sestav tuljave. Glava obrezovalnika je okvarjena. 	<ul style="list-style-type: none"> Predlagamo, da uporabite originalno najlonsko nitko za košnjo EGO. Če v primeru uporabe najlonske nitke za košnjo težava ostaja, se za nasvet obrnite na storitev za stranke EGO. Odstranite baterijo, odprite glavo kosilnice in jo temeljito očistite. Nekaj minut naj kosilnica z nitko deluje brez obremenitve, da se motor ohladi, nato poskusite ponovno naviti nitko. Napolnite baterijo Izvlcite nitko in jo znova vstavite. Pokličite službo za pomoč uporabnikom EGO.
Nitke za košnjo pri vstavljanju ni mogoče speljati skozi glavo kosilnice.	<ul style="list-style-type: none"> Nitka za košnjo je razcepljena ali ukrivljena na koncu. 	<ul style="list-style-type: none"> Odrežite izrabljeni del nitke in jo ponovno vstavite.

SL

GARANCIJA

GARANCIJSKA POLITIKA DRUŽBE EGO

Za popolne pogoje garancijske politike družbe EGO obiščite spletno mesto egopowerplus.eu.

PERSKAITYKITE VISAS INSTRUKCIJAS!



PERSKAITYKITE NAUDOTOJO VADOVĄ



Įspėjimas dėl saugos



Dėvėkite akių apsaugą: naudodami šį gaminį, visada užsidėkite apsauginius akinius arba apsauginius akinius su šonine apsauga ar visą veidą dengiantį skydelį.



Dėvėkite ausų apsaugą: dirbdami su šiuo gaminiumi visada užsidėkite apsaugines ausines.



Netinkamus naudoti elektrinius įrankius draudžiama išmesti kartu su buitinėmis atliekomis. Pristatykite įgaliotam perdirbėjui.



Laikykitės saugaus atstumo: atstumas tarp šio įrankio ir pašalinių asmenų turi būti ne mažesnis kaip 15 m.



Įpjovimo plotis: didžiausias žoliapjovės pjovimo plotis



Prieš vykdydami techninės priežiūros ar valymo darbus, atjunkite nuo styginės žoliapjovės sudėtinę bateriją.

**UK
CA**

Šis gaminys atitinka taikomas JK direktyvas.

A Amperai

cm Centimetrai

☰ Nuolatinė srovė

SAUGOS SIMBOLIAI

Bet koks elektrinis įrankis naudojimo metu gali išsviesti šiukšlės, kurios gali pataikyti į akis ir sunkiai jas sužaloti. Prieš pradėdami naudoti elektrinį įrankį, visada užsidėkite apsauginius akinius arba apsauginius akinius su šonine apsauga ir, jei reikia, visą veidą dengiantį skydelį. Rekomenduojame naudoti platų matymo lauką užtikrinančią apsauginę kaukę, dedamą ant akinių, arba standartinius apsauginius akinius su šonine apsauga.



Norėdamas sumažinti susižalojimo pavojų, naudotojas privalo perskaityti naudotojo vadovą.

IPX4

Apsauga nuo vandens pusrūšį



Garantuojamas garso galios lygis.



Saugokitės išsviestų šiukšlių: išsviestos šiukšlės gali atšokti ir sužaloti arba sugadinti turta. Kai dirbate su stygine žoliapjove, neleiskite kitiems asmenims ar naminiams gyvūnams prisitinti.



Su šia stygine žoliapjove nenaudokite metalinių pjovimo priedų.



Lynelio skersmuo: nailoninio pjovimo lynelio skersmuo



Šis gaminys atitinka taikomas EB direktyvas.

V Įtampa

mm Milimetrai

kg Kilogramai

... /min. Per minutę

LT

TECHNINIAI DUOMENYS

Įtampa	56 V	
Sūkiiai be apkrovos	Mažo greičio diapazonas: 3500–4800 min. ⁻¹	
	Didelio greičio diapazonas: 4000–5500 min. ⁻¹	
Pjovimo lynelio mechanizmas	LINE-IQ lynelio padavimas	
Pjovimo lynelio tipas	2,4 mm nailoninis susuktas lynelis	
Pjovimo plotis	40 cm	
Rekomenduojama darbo temperatūra	0–40°C	
Rekomenduojama laikymo temperatūra	–20–70°C	
Svoris (be sudėtinės baterijos)	3,5 kg	
Išmatuotas garso galios lygis L _{WA}	90 dB(A) K=2,5 dB(A)	
Garso slėgio lygis ties naudotojo ausimi L _{PA}	77 dB(A) K=3 dB(A)	
Garantuojamas garso galios lygis L _{WA} (išmatuotas pagal 2000/14/EB)	92 dB(A)	
Vibracijos vertė a _n	Priekinė rankena	3,9 m/s ² K = 1,5 m/s ²
	Galinė rankena	2,7 m/s ² K = 1,5 m/s ²

LT

- Nurodyta bendroji vibracijos vertė išmatuota taikant standartinį bandymo metodą, todėl pagal ją galima palyginti skirtingus įrankius.
- Nurodytą bendrąją vibracijos vertę taip pat galima naudoti pirminiam poveikio vertinimui.

PASTABA: Naudojant įrenginį realiomis sąlygomis, sklaidžiamos vibracijos stiprumo vertė gali skirtis nuo nurodytos. Kad apsaugotų dirbdamas realiomis sąlygomis, naudotojas turi mūvėti pirštines ir naudoti klausos apsaugos priemones.

APRAŠYMAS

SUSIPAŽINKITE SU SAVO STYGINE ŽOLIAPJOVE (A1 pav.)

1. Greičio reguliavimo jungiklis
2. Galinė rankena

3. Fiksavimo liežuvėlis
4. 2 greičių perjungiklis
5. Greičio indikatorius
6. Aukščio fiksavimo apkaba
7. Greitai reguliuojama priekinė rankena
8. Greito atjungimo svirtis
9. Lankstas ir fiksavimo varžtas
10. POWERLOAD™ mygtukas
11. Žoliapjovės galvutė (su LINE-IQ lynelio padavimu)
12. Pjovimo lynelis
13. Atkabinimo auselė
14. Pjovimo lynelio nukirtimo peilis
15. Apsauga
16. Išstūmimo mechanizmas
17. Fiksatorius
18. Baterijos atjungimo mygtukas
19. Šešiabriaunis raktas
20. Peties diržo apkaba
21. Peties diržas

PAKUOTĖS TURINIO SĄRAŠAS (A1 PAV.)

SURINKIMAS

⚠ ĮSPĖJIMAS: Jei kurios nors dalys pažeistos arba jų nėra, nenaudokite šio gaminio tol, kol tos dalys nebus pakeistos. Naudojant gaminį su pažeistomis dalimis arba kai jų trūksta, galima sunkiai susižaloti.

⚠ ĮSPĖJIMAS: Nebandykite keisti šio įrenginio konstrukcijos arba kurti priedus, kurių nerekomenduojama naudoti su šia žoliapjove su lyneliu. Visi tokie pakeitimai laikomi netinkamu naudojimu ir gali sukelti pavojingas situacijas, kurių metu galite sunkiai susižaloti.

⚠ ĮSPĖJIMAS: Kad išvengtumėte atsitiktinio įrenginio paleidimo ir galimo sunkaus sužalojimo, surinkdami įrenginio dalis visada iš jo išimkite sudėtinę bateriją.

KOTO ATLENKIMAS

⚠ ĮSPĖJIMAS: Nelaikykite koto jungties vietoje, kad nesugnybtumėte plaštakų ar pirštų.

⚠ ĮSPĖJIMAS: Nebandykite paleisti žoliapjovės, kol neužfiksavote koto.

Kotą atlenkite atsargiai, saugodami viduje esantį kabelį, ir pridėdamu raktu priveržkite koto fiksavimo varžtą

(B1 ir B2 pav.).

APSAUGOS TVIRTINIMAS

⚠️ ĮSPĖJIMAS: Tvirtindami arba keisdami apsaugą būtinai mūvėkite pirštines. Atidžiai elkitės su ant apsaugos esančiu peiliu ir saugokite rankas, kad neįsipjautumėte.

⚠️ ĮSPĖJIMAS: Niekada nenaudokite įrenginio be savo vietoje pritvirtintos apsaugos. Apsauga visada turi būti ant įrenginio, kad apsaugotų naudotoją! Po to, kai apsauga pritvirtinama, niekada nebandykite jos nuimti ar reguliuoti. Jeigu apsaugą reikia pakeisti, tai turi atlikti kvalifikuotas techninės priežiūros specialistas!

Žoliapjovę paguldykite taip, kad jos galvutė būtų nukreipta į viršų (C1 pav.). Sulygiuokite apsaugos tvirtinimo skyles su atitinkamomis skylėmis koto gale ir priveržkite apsaugą prie koto dviem varžtais (C2 pav.).

PASTABA: Apsauga turi būti pritvirtinta, kaip parodyta C1 ir C2 paveiksluose; pritvirtinus atvirkščiai kyla didelis pavojus!

PRIEKINĖS RANKENOS TVIRTINIMAS IR REGULIAVIMAS

1. Atsukite ir nuimkite greito atjungimo svirtį ir sparnuotąją veržlę nuo priekinės rankenos (D1 pav.).

D1-1	Priekinė rankena	D1-2	Fiksavimo kaladėlė
D1-3	Sparnuotoji veržlė	D1-4	Greito atjungimo svirtis

2. Prispauskite priekinę rankeną prie koto tvirtinimo zonoje tarp aukščio fiksavimo apkabos ir lanksto (D2 pav.).
3. Įstatykite fiksavimo kaladėlę į rankenos angą (D3 pav.).
4. Uždėkite greito atjungimo svirtį ir prisukite sparnuotąją veržlę. Priekinė rankena turi būti nukreipta į viršų ir atsukta į galinės rankenos viršutinę dalį (D4 pav.).
5. Patraukite greito atjungimo svirtį aukštyn, kad perkeltumėte ar pasuktumėte priekinę rankeną į patogią darbinę padėtį, o po to svirtį užfiksuokite (D5 pav.).

PASTABA: Priekinę rankeną prie koto galima tvirtinti tik tvirtinimo zonoje.

⚠️ ĮSPĖJIMAS: Šio įrankio negalima naudoti tinkamai nepritvirtinus priekinės rankenos.

ŽOLIAPJOVĖS AUKŠČIO REGULIAVIMAS

Jei koto ilgis nėra patogus darbui, galite jį susireguliuoti naudodami aukščio fiksavimo apkabą.

1. Išimkite iš žoliapjovės sudėtinę bateriją.
2. Norėdami sureguliuoti žoliapjovės aukštį (t. y. koto ilgį), atkabinkite aukščio fiksavimo apkabą ir stumkite kotą aukštyn arba žemyn iki norimo aukščio, o po to pritvirtinkite prispausdami apkabą (E pav.).

E-1	Aukščio fiksavimo apkaba
-----	--------------------------

PASTABA: Pakeitus žoliapjovės aukštį, gali tekti pakeisti priekinės rankenos padėtį.

PETIES DIRŽO PRIKABINIMAS

Kad būtų saugu ir geriau dirbti, užsidėkite diržą ant vieno iš pečių ir perjuoskite per nugarą.

1. Išsukite prisukamą rankenėlę ir šešiakampę veržlę iš peties diržo apkabos (F1 pav.).

F1-1	Prisukama rankenėlė	F1-2	Šešiakampė veržlė
F1-3	Peties diržo apkaba		

2. Uždėkite peties diržo apkabą tvirtinimo zonoje patogioje darbui padėtyje, o po to pritvirtinkite priverždami prisukamą rankenėlę ir šešiakampę veržlę.
3. Nuspauskite ir atidarykite peties diržo karabiną ir užkabinkite peties diržą už apkabos (F2 pav.).
4. Susireguliuokite peties diržo ilgį ir padėjtį, kad būtų patogus dirbti.

⚠️ ĮSPĖJIMAS: Susidarius tokiai situacijai nedelsdami nusiimkite peties diržą, nepaisydami, kokioje padėtyje jis yra.

Vienu metu nenaudokite diržo ant vieno peties ir diržo ant abiejų pečių.

Užsidėjus peties diržą, joks kitas nešiojamas daiktas neturėtų trukdyti diržo atleidimui ir nuėmimui.

DARBAS

⚠️ ĮSPĖJIMAS: Visada užsidėkite apsauginius akinius arba apsauginius akinius su šonine apsauga bei ausines. Nesilaikant šio nurodymo į akis gali pataikyti išsviestos šiukšlės arba galite kitaip sunkiai susižaloti.

Apipjovimas: žolės ir piktžolių pjovimas aplink verandas, tvoras ir terasas.

Pjovimas: žolės pjovimas vietose, kurias sunku pasiekti naudojant įprastą vejąpovę.

SUDĖTINĖS BATERIJOS ĮSTATYMAS IR IŠĖMIMAS

Naudokite tik A2 pav. išvardintas EGO sudėtines baterijas ir įkroviklius.

Prieš bateriją naudodami pirmą kartą, visiškai ją įkraukite.

Įstatymas

Įtaikykite baterijas briaunas į tvirtinimo griovelius ir spauskite bateriją žemyn, kol išgirsite spragtelėjimą (G1 pav.).

Išėmimas

Nuspauskite sudėtines baterijas atjungimo mygtuką ir bateriją ištraukite (G2 pav.).

STYGINĖS ŽOLIAPJOVĖS LAIKYMAS (H pav.)

Kad dirbti būtų saugu ir patogiau, užsidėkite per petį peties diržą. Susireguliuokite peties diržo ilgį ir padėtį, kad būtų patogiu dirbti, ir laikykite žoliapovę abiem rankomis: viena ranka suėmę už galinės rankenos, o kita – už priekinės rankenos.

PASTABA: Žoliapovės galvatė turi būti lygiagrečiai žemės paviršiumi tinkamu pjovimo atstumu, naudotojui nesilenkiant į priekį.

⚠️ ĮSPĖJIMAS: Susidarius pavojingai situacijai nedelsdami nusiimkite peties diržą, nepaisydami, kokioje padėtyje jis yra.

LT

STYGINĖS ŽOLIAPJOVĖS PALEIDIMAS IR SUSTABDYMAS (I pav.)

Paleidimas

Pastumkite fiksavimo liežuvėlį į priekį ir tuomet paspauskite greičio reguliavimo jungiklį.

Jungikliu galite pasirinkti norimą greitį. Kuo labiau spaudžiate jungiklį, tuo didesniu greičiu sukasi įrankio galvatė.

I-1	Fiksavimo liežuvėlis	I-2	Greičio reguliavimo jungiklis
-----	----------------------	-----	-------------------------------

Sustabdymas

Atleiskite greičio reguliavimo jungiklį.

GREIČIO REGULIAVIMO FUNKCIJA (J pav.)

Styginė žoliapovė turi du greičio nustatymus. Paspauskite 2 greičių perjungiklį, kad pjovimo greitį perjungtumėte tarp mažo ir didelio.

Greičio indikatorius rodo įjungto greičio būseną: vienas

šviečiantis indikatorius rodo mažą greitį, du šviečiantys indikatoriai – didelį greitį. Pasirinkus mažą greitį, lengviau valdyti žoliapovę ir ji ilgiau dirba su viena įkrova.

J-1	Greičio indikatorius	J-2	2 greičių perjungiklis
-----	----------------------	-----	------------------------

STYGINĖS ŽOLIAPJOVĖS NAUDOJIMAS

Kaskart prieš naudodami išvalykite pjaunamą plotą nuo šiukšlių. Pašalinkite visas kliūtis, pavyzdžiui, akmenukus, stiklo duženas, vinis, vielas ar laidus, kurias pjovimo įtaisas gali išsviesti į orą arba jose įspainioti. Darbo zonoje neturi būti vaikų, pašalinių asmenų ir naminių gyvūnų. Vaikai, pašaliniai asmenys bei naminiai gyvūnai turi būti atšaukę ne mažesniu kaip 15 m atstumu; net ir tokiu atveju išlieka pavojus pašaliniams asmenims dėl išsviestų šiukšlių. Šalia esantys asmenys turi dėvėti akių apsaugą. Jeigu matote jūsų link artėjantį asmenį, nedelsdami išjunkite pjovimo įtaisą.

Kaskart prieš naudodami įrankį patikrinkite, ar nėra pažeistų ir (ar) sudilusių dalių

Patikrinkite žoliapovės galvatę, apsaugą, peties diržą, peties diržo apkabą ir priekinę rankeną. Pakeiskite visas dalis, kurios yra įtrūkusios, deformuotos, sulenktos ar bet koku būdu pažeistos.

Lynelio nukirtimo peilis apsaugos pakraštyje laikui bėgant gali atšipti. Rekomenduojama reguliariai galąsti jį dilde arba pakeisti nauju.

⚠️ ĮSPĖJIMAS: Tvirtindami ar keisdami apsaugą arba galąsdami ar keisdami lynelio nukirtimo peilį būtinai mūvėkite pirštines. Nepamirškite, kurioje vietoje ant apsaugos yra peilis, ir saugokite rankas, kad neįsijautumėte.

Žoliapovės galvatės tikrinimas, ar neužsikimšo

- Kad neužsikimštų, žoliapovės galvatė visada turi būti švari. Prieš ir po kiekvieno naudojimo pašalinkite nupjautą žolę, lapus, nešvarumus ir visas kitas susikaupusias šiukšles.
- Jei galvatė užsikimša, sustabdykite žoliapovę su lyneliu ir išimkite bateriją, o po to pašalinkite visą aplink variklio veleną ar žoliapovės galvatę apsvyniojusią žolę.

Po kiekvieno naudojimo žoliapovę išvalykite.

PJOVIMO LYNELIO ILGIO REGULIAVIMAS

Žoliapovės galvatė su LINE-IQ lynelio padavimo sistema išsiskiria pažangia technologija.

Jei kuris nors pjovimo lynelio galas pjovimo metu nudyla iki mažiau nei 18 cm, žoliapovės galvatę pjovimo lynelį

automatiškai pailgina, o per ilgą lynelio dalį nukerta lynelio nukirtimo peilis (K pav.).

PASTABA: Nereikia bakstelėti žoliapjovės galvutės į žemę, norint pailginti pjovimo lynelį. Jei pjaudami žolę pajuntate nedidelę žoliapjovės galvutės vibraciją, tai reiškia, kad automatiškai pailgintas lynelis.

⚠️ ĮSPĖJIMAS: Nebandykite nuimti lynelio nukirtimo peilio ar pakeisti jo konstrukciją. Jeigu lynelis per ilgas, gali perkaisti variklis ir galite sunkiai susižaloti.

LYNELIO KEITIMAS

PASTABA: Visada naudokite rekomenduojamą nailoninį pjovimo lynelį, kurio skersmuo 2,4 mm.

Naudojant kitokį nei nurodyta pjovimo lynelį, įrankis gali perkaisti ar sugesti.

⚠️ ĮSPĖJIMAS: Niekada nenaudokite metalinio lynelio, vielos, trosu, ir pan. Jie gali nutūrikti ir tapti pavojingomis skriejančiomis šiukšlėmis.

Styginėje žoliapjovėje įrengta pažangi POWERLOAD™ sistema. Pjovimo lynelį ant ritės galima suvynioti tiesiog paspaudus vieną mygtuką. Visą ritę paprastai galima suvynioti per 12 sekundžių. **Venkite be pertraukos kartoti suvyniojimo procedūrą, nes galite sugadinti variklį.**

1. Išimkite sudėtinę bateriją.
2. Atkirkpite vieną 4 m ilgio pjovimo lynelio atkarpa.
3. Įkiškite lynelį į plyšį ir stumkite, kol kitas jo galas išlįs iš plyšio priešingoje galvutės pusėje (L1 pav.).

L1-1	Pjovimo lynelis	L1-2	Plyšys
------	-----------------	------	--------

PASTABA: Nereikia sulygiuoti plyšių, norint prakišti pjovimo lynelį. Jei lynelio į plyšį negalima įkišti, prijunkite prie žoliapjovės sudėtinę bateriją ir trumpai spustelėkite POWERLOAD mygtuką, kad iš naujo nustatytumėte suvyniojimo mechanizmą.

4. Išimkite sudėtinę bateriją, jei ji buvo prijungta prie žoliapjovės 3 žingsnyje.
5. Traukite lynelį iš kitos pusės, kol jo ilgis taps vienodu abiejose žoliapjovės galvutės pusėse (L2 pav.).
6. Prijunkite prie styginės žoliapjovės sudėtinę bateriją.
7. Paspauskite ir laikykite nuspaudę POWERLOAD mygtuką, kad įsijungtų lynelio vyniojimo variklis. Lynelis bus nepertraukiamai vyniojamas į žoliapjovės galvutę.
8. Atidžiai stebėkite likusio lynelio ilgį. Pasiruoškite atleisti mygtuką, kai tik iš abiejų pusių liks maždaug po

22 cm lynelio. Trumpai spustelėkite lynelio suvyniojimo mygtuką ir nustatykite jo ilgį taip, kad kiekvienoje pusėje liktų po 18 cm (L3 pav.).

PASTABA: Jei į žoliapjovės galvutę atsitiktinai įtraukiamas visas lynelis, galvutę atidarykite ir ištraukite pjovimo lynelį iš ritės. Kaip vėl suvynioti lynelį, žiūrėkite skyriuje „**PJOVIMO LYNELIO SUVYNOJIMAS**“.

PJOVIMO LYNELIO SUVYNOJIMAS

PASTABA: Pjovimo lyneliui įstrigus žoliapjovės galvutėje, likusį pjovimo lynelį reikės ištraukti iš žoliapjovės galvutės ir atlikti toliau nurodytus veiksmus, kad vėl lynelį suvyniotumėte.

1. Išimkite sudėtinę bateriją.
2. Nuspauskite žoliapjovės galvutės atkabinimo auseles ir traukdami nuimkite apatinį dangtelį (M1 ir M2 pav.).

M1-1	Atkabinimo auselė	M1-2	Apatinis dangtelis
------	-------------------	------	--------------------

3. Ištraukite iš žoliapjovės galvutės likusį lynelį.
4. Viena ranka laikydami žoliapjovę, kita ranka suimkite apatinį dangtelį ir sulygiuokite jo angas su atkabinimo auselėmis. Spauskite apatinį dangtelį, kol išgirsite spragtelėjimą, kuris reiškia, kad jis užsifiksavo (M3 pav.).

M3-1	Atkabinimo auselė	M3-2	Anga
------	-------------------	------	------

5. Kaip pakeisti pjovimo lynelį, žiūrėkite skyriuje „**LYNELIO KEITIMAS**“.

ŽOLIAPJOVĖS GALVUTĖS KEITIMAS

⚠️ ĮSPĖJIMAS: Jeigu galvutė atsipalaiduoja po to, kai ji pritvirtinama, ją iš karto pakeiskite. Niekada nenaudokite žoliapjovės su atsipalaidavusiu pjovimo įtaisu. Nedelsdami pakeiskite pjovimo galvutę, jei ji įtrūkusi, pažeista arba susidėvėjusi, net jei tai tik paviršiniai įtrūkimai. Tokie pjovimo įtaisai sukdamiesi dideliu greičiu gali subyrėti ir sunkiai sužaloti.

Žoliapjovės galvutės konstrukcija (N1 pav.)

N1-1	Apatinis dangtelis	N1-2	Veržlė
N1-3	Ritės blokas	N1-4	Ivorė

Žoliapjovės galvutės nuėmimas

1. Išimkite sudėtinę bateriją.

- Nuspauskite žoliapjovės galvutės atkabimo auseles ir traukdami nuimkite apatinį dangtelį (žr. M1 ir M2 pav.).
- Ištraukite iš žoliapjovės galvutės likusį lynelį (N2 pav.).
- Mūvėkite pirštines. Viena ranka prilaikykite ritės bloką, o kita ranka laikydami smūginį veržliaraktį (nėra komplekte) atsukite veržlę sukdamai prieš laikrodžio rodyklę (N3 pav.).

N3-1	Veržlė	N3-2	Smūginis veržliaraktis (nėra komplekte)
------	--------	------	---

- Nuimkite ritės bloką ir įvorę nuo variklio veleno. Pasidėkite įvorę, nes jos reikės surenkant galvutę.
- Uždėkite naują žoliapjovės galvutę ir pritvirtinkite ją, atlikdami toliau nurodytus veiksmus.

Naujos žoliapjovės galvutės tvirtinimas

- Uždėkite įvorę ant variklio veleno ir įstatykite į vietą ritės bloką. Smūginio veržliaraktį priveržkite veržlę.
- Uždėkite apatinį dangtelį (žr. M3 pav.).
- Suvyniokite ant ritės pjovimo lynelį.
- Paleiskite įrankį ir patikrinkite, ar styginė žoliapjovė veikia normaliai. Jei ne, pakartokite surinkimą pirmiau aprašyta tvarka.

TECHNINĖ PRIEŽIŪRA

LT

⚠️ ĮSPĖJIMAS: Vykdydami techninės priežiūros darbus, naudokite tik identiškas atsargines dalis. Naudojant bet kokias kitas dalis, gali kilti pavojus arba sugesti gaminy. Norint užtikrinti saugumą ir patikimumą, visus remonto darbus turi atlikti kvalifikuotas techninės priežiūros specialistas.

⚠️ ĮSPĖJIMAS: Kad išvengtumėte sunkių traumų, prieš vykdydami techninės priežiūros procedūras, valydami įrankį arba šalindami iš jo šiukšles, išimkite sudėtinę bateriją.

⚠️ DĖMESIO: Ventiliciniuose angose susikaupę šiukšlės trukdo orui patekti į variklio korpusą, dėl ko variklis gali perkaisti ar sugesti.

ĮRANKIO VALYMAS

- Įrankį valykite mažos koncentracijos ploviklio tirpale suvilgytu skudurėliu. Niekada neleiskite jokiam skysčiui patekti į įrankio vidų; niekada nenardinkite jokios įrankio dalies į skystį.
- Plastikinėms korpuso arba rankenos dalims valyti

nenaudokite jokių koncentruotų ploviklių. Aromatinės alyvos (pvz., pušies ar citrinų) ir tirpikliai, pvz., žibalas, gali jas sugadinti. Drėgmė taip pat gali kelti elektros smūgio pavojų. Bet kokią drėgmę nusausinkite minkštu ir sausu skudurėliu.

- Naudokite mažą šepetėlį arba mažą dulkių siurblio šepetėlį, kad išvalytumėte variklio korpuso ventilicines angas.
- Oro ventilacijos angose neturi būti jokių kliūčių.

LYNELIO NUKIRTIMO PEILIO GALANDIMAS

⚠️ ĮSPĖJIMAS: Kai vykdytė pjovimo lynelio techninės priežiūros darbus, visada apsaugokite rankas užsimaudami tvirtas pirštines.

- Atsukite du varžtus ir nuimkite nuo apsaugos lynelio nukirtimo peilį (O pav.).

O-1	Varžtai	O-2	Lynelio nukirtimo peilis
-----	---------	-----	--------------------------

- Įtvirtinkite peilį spaustuvoose.
- Peilio pjovimo briaunas atsargiai nušlifukite dilde smulkiais dantukais arba galandimo akmeniu; būkite atsargūs, kad išlaikytumėte pradinį pjovimo briaunų kampą.
- Uždėkite peilį ant apsaugos ir priveržkite dviem varžtais.

ĮRANKIO LAIKYMAS

- Išimkite iš žoliapjovės sudėtinę bateriją.
- Prieš įrankio padėjimą į laikymo vietą kruopščiai jį nuvalykite.
- Įrankį laikykite sausoje, gerai vėdinamoje, rakinamoje patalpoje arba aukštai, vaikams neprieinamoje vietoje. Nelaikykite įrankio ant arba šalia trašų, benzino ar kitų cheminių medžiagų.

Aplinkos apsauga



Neišmeskite elektros įrangos, panaudotų baterijų ir įkroviklio kartu su buitinėmis atliekomis! Šias atliekas reikia pristatyti į jų surinkimo vietą ar įgaliotam perdirbėjui. Elektrinius įrankius reikia gražinti į tokių atliekų perdirbimo įmonę.

TRIKČIŲ ŠALINIMAS

PROBLEMA	PRIEŽASTIS	SPRENDIMAS
Styginės žoliapjovės nepavyksta paleisti.	<ul style="list-style-type: none"> ■ Sudėtinė baterija neprijungta prie žoliapjovės. ■ Nėra elektros kontakto tarp žoliapjovės ir sudėtinės baterijos. ■ Sudėtinė baterija visiškai išsikrovusi. ■ Blokuotės išjungimo jungiklis nepastumiamas į priekį prieš spaudžiant greičio reguliavimo jungiklį. ■ Ant variklio veleno arba žoliapjovės galvutės apsvyniojusi žolė. 	<ul style="list-style-type: none"> ■ Prijunkite sudėtinę bateriją prie žoliapjovės. ■ Išimkite sudėtinę bateriją, patikrinkite kontaktus ir vėl ją įstatykite. ■ Įkraukite sudėtinę bateriją. ■ Pastumkite fiksavimo liežuvelį į priekį ir tuomet paspauskite greičio reguliavimo jungiklį. ■ Pašalinkite žolę nuo variklio veleno ir žoliapjovės galvutės.
Styginė žoliapjovė sustoja pjovimo metu.	<ul style="list-style-type: none"> ■ Nepritvirtinta žoliapjovės apsauga, todėl per ilgą pjovimo lynelis sukelia variklio perkrovą. ■ Naudojamas per sunkus pjovimo lynelis. ■ Sudėtinė baterija arba styginė žoliapjovė yra per daug įkaitusi. ■ Sudėtinė baterija atjungta nuo įrankio. ■ Sudėtinė baterija visiškai išsikrovusi. 	<ul style="list-style-type: none"> ■ Išimkite sudėtinę bateriją ir pritvirtinkite žoliapjovės apsaugą. ■ Naudokite rekomenduojamą nailoninį pjovimo lynelį, kurios skersmuo 2,4 mm. ■ Atvėsinkite bateriją arba styginę žoliapjovę. ■ Vėl įdėkite sudėtinę bateriją. ■ Įkraukite sudėtinę bateriją.
Žoliapjovės galvutė nepaduoda pjovimo lynelio.	<ul style="list-style-type: none"> ■ Ant variklio veleno arba žoliapjovės galvutės apsvyniojusi žolė. ■ Riteje nepakanka pjovimo lynelio arba lynelis nutrūko ties galvutės plyšiu. ■ Lynelis susipainiojo. ■ Lynelis per trumpas. ■ Naudojamas per sunkus pjovimo lynelis. ■ Žoliapjovės galvutės gedimas. 	<ul style="list-style-type: none"> ■ Sustabdykite žoliapjovę, išimkite bateriją ir tuomet nuvalykite variklio veleną ir žoliapjovės galvutę. ■ Išimkite bateriją ir pakeiskite pjovimo lynelį; vadovaukitės šio vadovo skyriumi „LYNELIO KEITIMAS“. ■ Išimkite bateriją, ištraukite lynelį iš žoliapjovės galvutės ir iš naujo pervyniokite; vadovaukitės šio vadovo skyriumi „PJOVIMO LYNELIO SUVYNYOJIMAS“. ■ Išimkite bateriją ir rankomis ištraukite pjovimo lynelio galus, spaudžiodami ir atleisdami žoliapjovės galvutę. ■ Naudokite rekomenduojamą nailoninį pjovimo lynelį, kurios skersmuo 2,4 mm. ■ Kreipkitės pagalbos į EGO klientų aptarnavimo skyrių.

LT

PROBLEMA	PRIEŽASTIS	SPRENDIMAS
Žoliapjovės galvutė nuolat automatiškai ilgina lynelį.	<ul style="list-style-type: none"> ■ Naudojamas per lengvas pjovimo lynelis. 	<ul style="list-style-type: none"> ■ Naudokite rekomenduojamą nailoninį pjovimo lynelį, kurios skersmuo 2,4 mm.
Žolė apsvyrioja aplink žoliapjovės galvutę ir variklio korpusą.	<ul style="list-style-type: none"> ■ Aukštą žolę pjaunate palei žemę. 	<ul style="list-style-type: none"> ■ Kad ant žoliapjovės galvutės neapsivyniotų žolė, aukštą žolę pjaukite iš viršaus į apačią, vienu kartu nupjaudami ne daugiau kaip 20 cm jos aukščio.
Peilis nenukerta pjovimo lynelio.	<ul style="list-style-type: none"> ■ Atšipo pjovimo lynelio nukirtimo peilis ant apsaugos krašto. 	<ul style="list-style-type: none"> ■ Lynelio nukirtimo peilį pagalaskite dilde arba pakeiskite nauju peiliu pagal instrukcijas.
Įtrūkimai ant žoliapjovės galvutės.	<ul style="list-style-type: none"> ■ Žoliapjovės galvutė sudilo. 	<ul style="list-style-type: none"> ■ Nedelsdami pakeiskite pjovimo lynelį; vadovaukitės šio vadovo skyriumi „LYNELIO KEITIMAS“.
Nepavyksta tinkamai užvynioti pjovimo lynelio ant žoliapjovės galvutės ritės.	<ul style="list-style-type: none"> ■ Naudojamas netinkamas pjovimo lynelis. ■ Žoliapjovės galvutėje susikaupė žolių atliekų ar nešvarumų, kurie trukdo ritei sukintis. ■ Variklis perkaitęs dėl to, kad pakartotinai naudojama lynelio suvyniojimo sistema. ■ Žemas baterijos įkrovos lygis. ■ Lynelis neužvyniotas ant ritės bloko. ■ Žoliapjovės galvutė sugedo. 	<ul style="list-style-type: none"> ■ Siūlome naudoti originalų EGO nailoninį pjovimo lynelį. Jei naudojate EGO nailoninį lynelį, bet problema išlieka, kreipkitės patarimo į EGO klientų aptarnavimo skyrių. ■ Išimkite bateriją, atidarykite žoliapjovės galvutę ir kruopščiai ją išvalykite. ■ Palikite styginę žoliapjovę padirbti kelias minutes be apkrovos, kad atvėsintumėte variklį, o po to pabandykite iš naujo suvynioti stygą. ■ Įkraukite bateriją. ■ Ištraukite lynelį ir vėl jį įdėkite. ■ Kreipkitės pagalbos į EGO klientų aptarnavimo skyrių.
Kišamas lynelis nepralenda pro žoliapjovės galvutę.	<ul style="list-style-type: none"> ■ Pjovimo lynelis gale suskilęs arba sulenktas. 	<ul style="list-style-type: none"> ■ Nupjaukite susidėvėjusį lynelio galą ir vėl įdėkite.

LT

GARANTIJA

EGO GARANTIJOS Taisyklės

Jei norite sužinoti visas EGO garantinių taisyklių sąlygas, apsilankykite interneto svetainėje egopowerplus.eu.

IZLASIET VISUS NORĀDĪJUMUS!



IZLASIET LIETOTĀJA ROKASGRĀMATU



Drošības brīdinājums



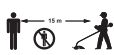
Valkāt acu aizsarglīdzekļus. Lietojot šo izstrādājumu, vienmēr valkājiet aizsargbrilles vai aizsargbrilles ar sānu aizsargiem un pilnu sejas aizsargu.



Valkāt dzirdes aizsarglīdzekļus. Strādājot ar šo izstrādājumu — vienmēr izmantojiet dzirdes aizsarglīdzekļus.



Elektrisko izstrādājumu atkritumus nedrīkst izmet kopā ar sadzīves atkritumiem. Nogādāt uz pilnvarotu pārstrādes punktu.



Ieturiet drošu attālumu — attālumam starp iekārtu un tuvumā esošām nepiederošām personām jābūt vismaz 15 m



Griešanas platums: maksimālais auklas trimmera griešanas platums



Pirms apkopes vai tīrīšanas darbu veikšanas atvienojiet akumulatora bloku no auklas trimmera



Šis izstrādājums atbilst piemērojamiem Apvienotās Karalistes tiesību aktiem.

A Ampēri

Cm Centimetrs

⚡ Līdzstrāva

DROŠĪBAS APZĪMĒJUMS

Jebkura elektroinstrumenta lietošanas laikā acis var iekļūt svešķermeņi, kas var radīt smagu acu traumu. Pirms elektroinstrumenta ieslēgšanas vienmēr uzvelciet aizsargbrilles vai aizsargbrilles ar sānu aizsargiem un, ja nepieciešams, pilnu sejas aizsargmasku. Iesakām izmantot aizsargmasku ar plašu skata leņķi, ko uzvelk virs parastajām brillēm, vai arī standarta aizsargbrilles ar sānu aizsargiem.



Lai mazinātu traumu gūšanas bīstamību, lietotājam jāizvairās no iekārtas.

IPX4

Aizsardzība pret ūdens šļakatām



Garantētais skaņas intensitātes līmenis.



Uzmanieties no priekšmetiem, ko izsviež iekārta — priekšmeti, ko izmet iekārta, var atlikt atpakaļ un izraisīt lietotājam traumu vai sabojāt īpašumu. Lietojot auklas trimmeri, sekojiet, lai citi cilvēki un mājdzīvnieki neatrastos tā tuvumā.



Neizmantojiet auklas trimmeri metāla asmeņus



Auklas diametrs. Neilona griezējauklas diametrs



Šis izstrādājums atbilst piemērojamām EK direktīvām.

V Spriegums


mm Milimetrs

kg Kilograms

... /min Minūtē

LV

SPECIFIKĀCIJAS

Spriegums	56 V 	
Apgriezienu skaits, strādājot bez slodzes	Zema ātruma diapazons:	3500-4800 min ⁻¹
	Liela ātruma diapazons:	4000-5500 min ⁻¹
Griezējaukļas mehānisms	LINE-IQ PADEVE	
Griezējaukļas veids	2,4 mm neilona griezējaukļa	
Pļaušanas platums	40 cm	
Ieteicamā darba temperatūra	0°C - 40°C	
Ieteicamā uzglabāšanas temperatūra	-20°C līdz 70°C	
Svars (bez akumulatoru bloka)	3,5 kg	
Izmērītais skaņas intensitātes līmenis L _{WA}	90 dB(A) K=2,5 dB(A)	
Trokšņa spiediena līmenis pie lietotāja auss L _{PA}	77 dB(A) K=3 dB(A)	
Garantētais skaņas intensitātes līmenis L _{WA} (mērīts saskaņā ar 2000/14/EK)	92 dB(A)	
Vibrācijas ietekmes novērtējums a _h	Priekšējais rokturis	3,9 m/s ² K = 1,5 m/s ²
	Aizmugurējais rokturis	2,7 m/s ² K = 1,5 m/s ²

LV

- Norādītā vibrāciju kopējā vērtība ir izmērīta saskaņā ar standarta pārbaudes metodi un var tikt izmantota, lai salīdzinātu vairākus instrumentus.
- Deklarēto vibrāciju emisijas vērtību var arī lietot iepriekšējai vibrāciju iedarbības novērtēšanai.

PIEZĪME! Vibrāciju emisijas faktiskajā elektroinstrumenta darbināšanas laikā var atšķirties no norādītās vērtības. Lai pasargātu operatoru, lietotājam jāvalkā cimdi un dzirdes aizsarglīdzekļi atbilstoši faktiskajiem darba apstākļiem.

APRAKSTS

PĀRZINIET SAVU AUKLAS TRIMMERI (A1 att.)

1. Regulējamā ātruma slēdzis
2. Aizmugurējais rokturis
3. Fiksācijas mēlīte
4. 2 ātrumu pārslēgšanas slēdzis

5. Ātruma indikators
6. Augstuma bloķēšanas gredzens
7. Ātri regulējams priekšējais rokturis
8. Ātrās atlaišanas svira
9. Engē un bloķēšanas skrūve
10. POWERLOAD™ poga
11. Trimmera galva (ar LINE-IQ padevi)
12. Griezējaukļa
13. Atlaišanas izcilnis
14. Auklas griezējamsens
15. Aizsargs
16. Izsviešanas mehānisms
17. Slēgmehānisms
18. Akumulatora atbrīvošanas poga
19. Sešskaldņu uzgriežņu atslēga
20. Plecu siksnas cilpa
21. Plecu siksnas

IEPAKOJUMA SATURA SARAKSTS (A1 ATT.)

MONTĀŽA

▲ BRĪDINĀJUMS! Ja kāda daļa ir bojāta vai trūkst, nedarbiniet šo izstrādājumu, kamēr nav nomainīta bojātā daļa. Darbinot šo izstrādājumu ar bojātām vai trūkstošām daļām, varat gūt smagus miesas bojājumus.

▲ BRĪDINĀJUMS! Nemēģiniet pārveidot šo instrumentu vai pievienot piederumus, kuru izmantošana šajā auklas trimmerī nav ieteicama. Jebkādi šādi uzlabojumi vai pārveidojumi ir uzskatāmi par neatbilstošu lietošanu un var radīt bīstamus apstākļus, kas var izraisīt nopietnus ievainojumus.

▲ BRĪDINĀJUMS! Lai nepieļautu nejašu iekārtas ieslēgšanos, kas var radīt smagas traumas, to saliekot, vienmēr izņemiet no tās akumulatoru bloku.

VĀRPSTAS ATLOCĪŠANA

▲ BRĪDINĀJUMS! Neturiet vārpstu aiz savienojumvietām, lai tajās neiespiestu plaukstu vai pirkstus.

▲ BRĪDINĀJUMS! Nemēģiniet iedarbināt trimmeri, kamēr nav nobloķēta vārpsta.

Uzmanīgi atlokiet vārpstu, lai kabelis paliktu vārpstas iekšpusē, un pieskrūvējiet ar skrūvi, izmantojot komplektācijā

iekļauto uzgriežņatslēgu (B1 un B2 att.).

AIZSARGA MONTĀŽA

⚠ BRĪDINĀJUMS! Uzstādot vai nomainot aizsargu, vienmēr valkājiet cimdus. Esiet piesardzīgi, rīkojoties ar asmens aizsargu, un sargiet savas rokas no traumām, ko var izraisīt asmens.

⚠ BRĪDINĀJUMS! Nekādā gadījumā nedarbiniet iekārtu, ja nav nostiprināts aizsargs. Aizsargam vienmēr jābūt uzstādītam uz iekārtas, lai aizsargātu lietotāju! Kad aizsargs ir piestiprināts, nekad nemēģiniet to noņemt vai regulēt; ja aizsargs ir jānomaina, nogādājiet to kvalificētam apkopes tehnikim!

Novietojiet trimmeri tādā veidā, lai tā galva būtu vērsta uz augšu (C1 att.). Novietojiet aizsarga montāžas caurumus vienā līmenī ar caurumiem pamatnē, pēc tam nofiksējiet aizsargu vārpstas pamatnē, ieskrūvējot abas skrūves (C2 att.).

PIEZĪME! Pārlicinieties, vai aizsargs ir piestiprināts pareizi tā, kā norādīts C1 un C2 attēlos; nepareizi uzstādīts aizsargs ir ļoti bīstams!

PRIEKŠĒJĀ ROKTURA UZSTĀDĪŠANA UN REGULĒŠANA

1. Atskrūvējiet un noņemiet ātrās atbrīvošanas sviru un spārnuzgriezni no priekšējā roktura (D1 att.).

D1-1	Priekšējais rokturis	D1-2	Stiprinājuma bloks
D1-3	Spārnuzgrieznis	D1-4	Ātrās atļaišanas svira

2. Uzspiediet priekšējo rokturi uz vārpstas montāžas vietā starp augstuma bloķēšanas gredzenu un eņģi (D2 att.).
3. Ievietojiet stiprinājuma bloku roktura gropē (D3 att.).
4. Uzstādiet ātrās atbrīvošanas sviru un pievelciet ar spārnuzgriezni. Pārlicinieties, vai priekšējais rokturis ir vērsts uz augšu un virzienā uz aizmugurējā roktura augšējo daļu (D4 att.).
5. Pavelciet ātrās atbrīvošanas sviru uz augšu, lai pārvietotu/pagrieztu priekšējo rokturi ērtā darba pozīcijā, un pēc tam nofiksējiet ātrās atbrīvošanas sviru (D5 att.).

PIEZĪME! Priekšējais rokturis jānovieto uz vārpstas tikai montāžas vietā.

⚠ BRĪDINĀJUMS! Neizmantojiet darbarīku bez piestiprināta priekšējā palīgroktura.

TRIMMERA AUGSTUMA REGULĒŠANA

Ja vārpstas garums nav piemērots darbam, vārpstas garumu var noregulēt ar augstuma bloķēšanas gredzenu palīdzību.

1. Izņemiet no trimmera akumulatoru bloku.
2. Lai noregulētu trimmera augstumu (t.i., vārpstas garumu), atveriet augstuma bloķēšanas gredzenu un pēc tam noregulējiet vārpstu vēlamajā augstumā, pāvirzot uz augšu vai uz leju, pēc tam nostipriniet, piespiežot bloķēšanas gredzenu (E att.).

E-1	Augstuma bloķēšanas gredzens
-----	------------------------------

PIEZĪME! Pēc trimmera augstuma nomainīšanas, iespējams, būs jānoregulē priekšējais rokturis.

PLECU SIKSNAS PIESTIPRINĀŠANA

Drošākai un labākai darbībai uzvelciet siksnu uz viena no pleciem un pāri mugurai.

1. Izskrūvējiet skrūves pogu un sešstūra uzgriezni no plecu siksnas cilpas (F1 att.).

F1-1	Skrūves poga	F1-2	Sešstūra uzgrieznis
F1-3	Plecu siksnas cilpa		

2. Novietojiet plecu siksnas cilpu ērtā darba pozīcijā montāžas vietā un pēc tam piestipriniet to, pievelkot skrūves pogu un sešstūra uzgriezni.
3. Nospiediet plecu siksnas karabīni, lai to atvērtu, un piestipriniet plecu siksnu cilpas atverē (F2 att.).
4. Noregulējiet plecu siksnas garumu un novietojumu ērtā darba stāvoklī.

⚠ BRĪDINĀJUMS! Avārijas situācijas gadījumā nekavējoties noņemiet siksnu no pleca neatkarīgi no tā, kādā pozīcijā tā atrodas.

Neizmantojiet vienu plecu siksnu kopā ar dubulto plecu siksnu.

Siksnas valkāšanas laikā neviena cita valkājama ierīce nedrīkst traucēt siksnas atbrīvošanu un noņemšanu.

EKSPLUATĀCIJA

⚠ BRĪDINĀJUMS! Vienmēr kopā ar dzirdes aizsarglīdzekļiem valkājiet arī aizsargbrilles vai drošības brilles ar sānu aizsargiem. Šo noteikumu neievērošanas rezultātā acīs var nonākt svešķermeņi vai arī jūs varat gūt citas smagas traumas.

Apgrīšana: zāles un nezāļu apgrīšana pie lieveņa, žoga un nojumes.

Nogriešana: lietojiet zāles nogriešanai vietās, kur ir grūti piekļūt ar parastu zāles pļāvēju jeb plaujmašīnu.

AKUMULATORU BLOKA IEVIETOŠANA/IZŅĒMŠANA

Izmantojiet kopā tikai ar A2 attēlā norādītajiem EGO akumulatoru blokiem un lādētājiem.

Pirms pirmās lietošanas reizes akumulators ir pilnībā jāuzlādē.

Piestiprināšana

Salāgojiet akumulatora izciļņus ar stiprinājuma rievām un iespiediet akumulatoru bloku, līdz ir dzirdama „klikšķa” skaņa (G1 att.).

Izņemšana

Nospiediet akumulatora atbrīvošanas pogu un izņemiet akumulatoru bloku (G2 att.).

ZĀLES TRIMMERA TURĒŠANA (H att.)

Uzlieciet plecu siksnu ekspluatācijai labākā un drošākā stāvoklī. Noregulējiet plecu siksnas garumu un novietojumu ērtā darba stāvoklī — satveriet trimmeri ar abām rokām, ar vienu satveriet priekšējo rokturi, savukārt ar otru aizmugurējo rokturi.

PIEZĪME! Trimmera galvai ir jāatrodas paralēli zemes virsmai atbilstošā griešanas augstumā un operatora augums nedrīkst būt saliekts.

⚠ BRĪDINĀJUMS! Avārijas situācijas gadījumā nekavējoties noņemiet plecu siksnu no pleca neatkarīgi no tā, kādā pozīcijā tā atrodas.

AUKLAS TRIMMERA IEDARBINĀŠANA/APTURĒŠANA (I att.)

Iedarbināšana

Pabīdīet fiksācijas mēlīti uz priekšu, un tad nospiediet ātruma regulēšanas slēdzi.

Slēdzim ir bezpakāpju ātruma regulēšanas funkcija. Jo stingrāk piespiežat slēdzi, jo lielāks ātrums.

I-1	Fiksācijas mēlīte	I-2	Mainīga ātruma sprūda mehānisms
-----	-------------------	-----	---------------------------------

Apturēšana

Atlaidiet ātruma regulēšanas slēdzi.

ĀTRUMA REGULĒŠANAS FUNKCIJA (J att.)

Auklas trimmerim ir divi ātrumi. Nospiediet 2 ātrumu pārslēgšanas slēdzi, lai mainītu zemo griešanas ātrumu uz augstāku, un otrādi.

Ātruma indikators parādīs aktīvā ātruma statusu: viens indikators zemajam ātrumam un divas gaismas lielajam ātrumam. Zemais ātruma diapazons nodrošina labāku trimmera vadību un ilgāku darbības laiku ar vienu uzlādes reizi.

J-1	Ātruma indikators	J-2	2 ātrumu pārslēgšanas slēdzis
-----	-------------------	-----	-------------------------------

AUKLAS TRIMMERA LIETOŠANA

Pirms katras lietošanas reizes atīrīet apstrādājamo vietu. Savāciet akmeneņus, stikla lauskas, naglas, vadus vai auklas, kas var tikt izsviestas vai iekļūt griešanas pierīcē. Nepieļaujiet bērnu, citu personu un mājdzīvnieku atrašanos darba vietā. Sekojiet, lai bērni, citas personas un mājdzīvnieki atrastos vismaz 15 m attālumā; vēl arvien pastāv apdraudējums, ko rada izsviesti objekti. Sekojiet, lai apkārtējie izmantotu acu aizsarglīdzekļus. Ja strādājot kāds jums tuvojas, nekavējoties apturiet motoru un griešanas pierīci.

Pirms katras lietošanas reizes pārbaudiet, vai nav bojātu/nodilūšu daļu

Pārbaudiet trimmera galvu, aizsargu, plecu siksnu, plecu siksnas cilpu un priekšējo rokturi. Nomainiet visas ieplaisājušās, deformētās, saliektās vai jebkādā veidā bojātās daļas.

Ar laiku auklas griešanas asmens uz aizsarga var kļūt rusts. Ieteicams periodiski asināt asmeni ar vīli vai nomainīt to.

⚠ BRĪDINĀJUMS! Uzstādot vai nomainot aizsargu, asinot vai nomainot auklas griezējasmēni, vienmēr valkājiet cimdus. Ņemiet vērā asmens atrašanās vietu uz aizsarga, un sargiet rokas no savainošanās.

Pārbaudiet, vai trimmera galva nav aizsprostota

- Lai novērstu aizsprostojuma rašanos, regulāri iztīriet trimmera galvu. Pirms un pēc katras lietošanas reizes iztīriet noļaupto zāli, lapas, netīrumus un citus uzkrātos gružus.
- Aizsprostojuma gadījumā apturiet auklas trimmeri un izņemiet akumulatoru, pēc tam izņemiet visu zāli, kas varētu būt aptiniesies ap motora vārpstu vai trimmera galvu.

Trimmeris ir jānotīra pēc katras lietošanas reizes.

GRIEZĒJAUKLAS GARUMA REGULĒŠANA

Line-IQ padeves trimmera galva ir aprīkota ar progresīvu tehnoloģiju.

Ja kāds no griezējauklas galiem apgriešanas laikā nodilst mazāk par 18 cm, trimmera galva automātiski atlaiž griezējauklu, un griezējauklas papildu daļa tiek nogriezta ar auklas griezējasmeni (K att.)

PIEZĪME! Lai atbrīvotu griezējauklu, nav nepieciešams piesist ar trimmera galvu pret zemes virsmu. Ja, pļaujot zāli, jūtat vieglu trimmera galvas vibrāciju, tas nozīmē, ka automātiski tiek atbrīvota griezējaukla.

▲ BRĪDINĀJUMS! Nenogremiet un nepārveidojiet auklas griešanas asmens mezglu. Pārmērīgi gara aukla izraisīs motora pārkaršanu, un var rasties smagi miesas bojājumi.

AUKLAS NOMAIŅA

PIEZĪME! Vienmēr izmantojiet ieteicamo neilona griezējauklu, kuras diametrs ir 2,4 mm.

Izmantojot citu auklu, instruments var pārkarst vai tikt bojāts.

▲ BRĪDINĀJUMS! Nekad neizmantojiet auklu ar metāla pastiprinājumiem, stiepli, virvi u.tml. Šāda veida auklas var salūst un kļūt par bīstamiem, lielā ātrumā izsviestiem objektiem.

Auklas trimmeris ir aprīkots ar uzlabotu POWERLOAD™ sistēmu. Griezējauklu uztin spolē, vienkārši nospiežot pogu. Parasti pilnas spoles uztīšana notiek 12 sekunžu laikā. **Lai samazinātu motora bojājuma iespējamību, nedarbiniet sistēmu atkārtoti pēc kārtas.**

1. Izņemiet akumulatoru bloku.
2. Nogrieziet vienu griezējauklas daļu 4 m garumā.
3. Izvelciet auklu caur vienu actiņu un piespiediet to, kamēr no pretējās actiņas iznāk auklas gals (L1 att.).

L1-1	Griezējaukla	L1-2	Actiņa
------	--------------	------	--------

PIEZĪME! Lai ievietotu griezējauklu, nav nepieciešams salāgot actiņas. Ja auklu nevar ievietot actiņā, ievietojiet trimmerī akumulatoru un pēc tam īsi nospiediet pogu POWERLOAD, lai atiestatītu uztīšanas mehānismu.

4. Izņemiet akumulatoru, ja tas bija ievietots trimmerī 3. soļī.
5. Izvelciet auklu no otras puses, līdz trimmera galvai abās pusēs var redzēt vienāda garuma auklu (L2 att.)
6. Ievietojiet auklas trimmerī akumulatoru bloku.
7. Lai palaistu auklas uztīšanas motoru, turiet nospiestu auklas uztīšanas pogu POWERLOAD. Aukla tiks nepārtraukti tīta trimmera galvā.

8. Uzmanīgi vērojiet, kad pienāk auklas atlikusī daļa. Esiet gatavs atlaist pogu, tiklīdz abās pusēs būs palikuši aptuveni 22 cm no auklas. Īsi nospiediet auklas uztīšanas pogu, lai pielāgotu garumu, līdz abās pusēs ir redzama 18 cm gara aukla (L3 att.).

PIEZĪME! Gadījumā, ja aukla tiek nejauši ierauta trimmera galvā, atveriet galvu un izvelciet griezējauklu no spoles. Lai uztītu auklu, izlasiet šīs rokasgrāmatas sadaļā „GRIEZĒJAUKLAS UZTĪŠANA” sniegto informāciju.

GRIEZĒJAUKLAS UZTĪŠANA

PIEZĪME! Ja griezējaukla iestrēgst trimmera galvā, jāizņem atlikušā griezējauklas daļa no trimmera galvas un jāveic tālāk norādītās darbības, lai atkārtoti uztītu auklu.

1. Izņemiet akumulatoru bloku.
2. Nospiediet atlaišanas izciļņus uz trimmera galvas un nogremiet trimmera galvas apakšējo daļu, izvelkot to uz āru (M1 un M2 att.).

M1-1	Atlaišanas izcilnis	M1-2	Apakšējā daļa
------	---------------------	------	---------------

3. Izņemiet griezējauklu no trimmera galvas.
4. Ar vienu roku pieturiet trimmeri, un ar otru roku satveriet apakšējo daļu, lai salāgotu apakšējās daļas rievu ar atlaišanas izciļņiem. Piespiediet apakšējo daļu, līdz tā nofiksējas, un būs dzirdama „klikšķa” skaņa (M3 att.).

M3-1	Atlaišanas izcilnis	M3-2	Rieva
------	---------------------	------	-------

5. Lai uztītu griezējauklu, ievērojiet sadaļā „AUKLAS NOMAIŅA” sniegtos norādījumus.

TRIMMERA GALVAS NOMAIŅA

▲ BRĪDINĀJUMS! Ja galva pēc tās nostiprināšanas kļūst vajīga, nekavējoties nomainiet to. Nekādā gadījumā nelietojiet trimmeri ar vajīgu griešanas pierīci. Nekavējoties nomainiet saplaisājušu, bojātu vai nolietoto griešanas galvu pat tad, ja konstatētas tikai nenozīmīgas plaisas. Šādas pierces var salūzt, griežoties lielā ātrumā, un radīt smagu traumu.

Apskatiet trimmera galvu (N1 att.)

N1-1	Apakšējais vāciņš	N1-2	Uzgrieznis
N1-3	Salikta spole	N1-4	Bukse

Trimmera galvas noņemšana

1. Izņemiet akumulatoru bloku.
2. Nospiediet atlaišanas izciļņus uz trimmera galvas un noņemiet trimmera galvas apakšējo daļu, izvelkot to uz āru (skatīt M1 un M2 att.).
3. Izņemiet griežējauku no trimmera galvas (N2 att.).
4. Uzvelciet cidmus. Ar vienu roku satveriet spoli, lai to stabilizētu un otrā rokā paņemiet triecienu uzgriežņu atslēgu (komplektā nav iekļauta), lai atskrūvētu uzgriezni pretēji pulksteņrādītāja kustības virzienam (N3 att.).

N3-1	Uzgrieznis	N3-2	Triecienuzgiežņu atslēga (nav iekļauta)
------	------------	------	---

5. Noņemiet no motora vārpstas spoli un bukses. Saglabājiet bukses vēlākai uzstādīšanai.
6. Nomainiet jaunu trimmera galvu un uzstādiet to tā, kā tas parādīts turpmākajos soļos.

Jaunas trimmera galvas uzstādīšana

1. Uzstādiet bukses uz motora vārpstas un uzlieciet spoli. Izmantojiet triecienuzgiežņu atslēgu, lai pievilktu uzgriezni.
2. Uzstādiet apakšējo vāciņu (skat. M3. att.).
3. Uztiniet griežējauku.
4. Iedarbiniet darbarīku, lai redzētu, vai normāli darbojas auklas trimmeris. Ja tas tā nav, uzstādiet vēlreiz, kā aprakstīts iepriekš.

LV APKOPE

⚠ BRĪDINĀJUMS! Veicot apkopi, izmantojiet tikai identiskas rezerves daļas. Jebkuru citu daļu izmantošana var radīt apdraudējumu vai instrumenta bojājumus. Lai garantētu drošu un uzticamu instrumenta darbību, visi remontdarbi jāveic kvalificētam servisa speciālistam.

⚠ BRĪDINĀJUMS! Lai izvairītos no smagām traumām, pirms instrumenta apkopes, tīrīšanas vai materiāla noņemšanas no iekārtas, izņemiet no tā akumulatoru bloku.

⚠ UZMANĪBU! Ja ventilācijas atveres būs aizsērējušas, gaiss nevarēs iekļūt motora korpusā un motors pārkarstīs vai tiks sabojāts.

INSTRUMENTA TĪRĪŠANA

- Tīriet ierīci ar mitru drānu un maigu mazgāšanas līdzekli. Nekādā gadījumā nepieļaujiet šķidruma iekļūšanu instrumentā; nekad neiegremdējiet šķidrumā nevienu no instrumenta daļām.
- Netīriet plastmasas korpusu un rokturi ar kodīgiem tīrīšanas līdzekļiem. Plastmasas daļas var sabojāt ar zināmām aromatizētām eļļām, piemēram, priežu un citrona, un šķīdinātājiem, piemēram, petroleju. Elektrotrauma var radīt arī mitrums. Noslaukiet mitrumu ar mikstu un sausu lupatiņu.
- Ventilācijas atveru tīrīšanai korpusa aizmugurē izmantojiet nelielu suku vai nelielu putekļsūcēja suku ar gaisa izplūdi.
- Ventilācijas atveres nedrīkst būt nosprostotas.

AUKLAS GRIEZĒJASMENS UZASINĀŠANA

⚠ BRĪDINĀJUMS! Vienmēr aizsargājiet savas rokas, valkājot biezus cidmus auklas griezējasmens apkopes darbu veikšanas laikā.

1. Atskrūvējiet abas skrūves un noņemiet no aizsarga auklas griezējasmēni (O att.).

O-1	Skrūves	O-2	Auklas griezējasmens
-----	---------	-----	----------------------

2. Nostipriniet asmeni skrūvspīlē.
3. Rūpīgi novīļējiet asmens griezējmalas ar smalku zobu asināšanas vīli vai asināšanas akmeni, un rīkojieties uzmanīgi, lai saglabātu oriģinālo griešanas leņķi.
4. Nomainiet aizsargam asmeni un nostipriniet to ar divām skrūvēm.

IERĪCES UZGLABĀŠANA

- Izņemiet no trimmera akumulatoru bloku.
- Pirms uzglabāšanas rūpīgi notīriet instrumentu.
- Uzglabājiet instrumentu sausā, labi vēdināmā, aizslēdzamā vai augstā, bērniem nepieejamā vietā. Neuzglabājiet ierīci blakus mēslojumam, benzīnam vai citām ķīmikālijām.

Apkārtējās vides aizsardzība



Neutilizējiet elektrisko aprīkojumu, izlietoto akumulatoru un lādētāju sadzīves atkritumos! Nogādājiet šo produktu uz pilnvarotu pārstrādes punktu un sagatavojiet atkritumu šķirošanai. Elektriskos instrumentus jānogādā videi nekaitīgā pārstrādes rūpnīcā.

KĻŪDU NOVĒRŠANA

PROBLĒMA	CĒĻONIS	RISINĀJUMS
Auklas trimmeris neieslēdzas.	<ul style="list-style-type: none"> ■ Trimmeri nav uzstādīts akumulatoru bloks. ■ Starp trimmeri un akumulatoru nav elektriskā savienojuma. ■ Akumulatoru bloks ir izlādējies. ■ Bloķēšanas slēdzis nevirzās uz priekšu pirms ātruma regulēšanas slēdža nospiešanas. ■ Motora vārpstu vai trimmera galvu nosprostojuši zāle. 	<ul style="list-style-type: none"> ■ Uzstādiet trimmeri akumulatoru bloku. ■ Izņemiet akumulatoru, pārbaudiet kontaktus un ievietojiet atpakal. ■ Uzlādējiet akumulatoru bloku. ■ Pabīdiet fiksācijas mēlīti uz priekšu, un tad nospiediet ātruma regulēšanas slēdzi. ■ Izņemiet zāli no motora vārpstas un trimmera galvas.
Auklas trimmeris apstājas griešanas laikā.	<ul style="list-style-type: none"> ■ Uz trimmera nav uzstādīts aizsargs, kā rezultātā griezējaukļa ir par garu un rodas motora pārslodze. ■ Izmantota smaga griezējaukļa. ■ Akumulatora bloks vai auklas trimmeris ir pārkaris. ■ Akumulatoru bloks ir atvienots no darbarīka. ■ Akumulatoru bloks ir izlādējies. 	<ul style="list-style-type: none"> ■ Izņemiet akumulatoru bloku un uzstādiet trimmerim aizsargu. ■ Izmantojiet ieteikto neilona griezējaukļu, kuras diametrs ir 2,4 mm. ■ Atdzesējiet akumulatoru vai auklas trimmeri. ■ Ielieciet atpakal akumulatoru bloku. ■ Uzlādējiet akumulatoru bloku.
Trimmera galva nepadod auklu.	<ul style="list-style-type: none"> ■ Motora vārpstu vai trimmera galvu nosprostojuši zāle. ■ Spolē nav pietiekami daudz auklas vai arī aukla pārtrūkst atveres actiņā. ■ Aukla ir sapinusies. ■ Aukla ir par īsu. ■ Izmantota smaga griezējaukļa. ■ Trimmera galvas darbības traucējumi. 	<ul style="list-style-type: none"> ■ Apturiet trimmeri, izņemiet akumulatoru un iztīriet zāli motora vārpstu un trimmera galvu. ■ Izņemiet akumulatoru un nomainiet griezējaukļu; skatiet šīs rokasgrāmatas nodaļu „AUKLAS MAINĀ”. ■ Izņemiet akumulatoru; izņemiet no trimmera galvas auklu un uztniet to jauna; skatiet šīs rokasgrāmatas sadaļu „GRIEZĒJAUKLAS UZTĪŠANA”. ■ Izņemiet akumulatoru un ar rokām velciet auklas, vienlaikus nospiežot un atlaižot trimmera galvu. ■ Izmantojiet ieteikto neilona griezējaukļu, kuras diametrs ir 2,4 mm. ■ Ja nepieciešams veikt labošanas darbus, sazinieties ar EGO klientu apkalpošanas nodaļu.

LV

PROBLĒMA	CĒĻONIS	RISINĀJUMS
Trimmera galva turpina automātiski atbrīvot auklu.	<ul style="list-style-type: none"> Izmantota pārāk viegla griezējaukļa. 	<ul style="list-style-type: none"> Izmantojiet ieteikto neilona griezējaukļu, kuras diametrs ir 2,4 mm.
Ap trimmera galvu un motora korpusu ir aptinusies zāle.	<ul style="list-style-type: none"> Garas zāles griešana pie zemes 	<ul style="list-style-type: none"> Grieziet garu zāli no augšas uz leju, katru reizi vienā gājienā nogriežot pa 20 cm, lai nepieļautu zāles aptīšanos.
Asmens nenogriež auklu.	<ul style="list-style-type: none"> Ar laiku aizsarga auklas griešanas asmens mala kļūst trula. 	<ul style="list-style-type: none"> Uzasiniet auklas griešanas asmeni ar vīli vai nomainiet to, ievērojot norādījumus.
Trimmera galvai parādījušās plaisas	<ul style="list-style-type: none"> Trimmera galva ir nodilusi. 	<ul style="list-style-type: none"> Nekavējoties nomainiet trimmera galvu, sekojot norādījumiem šīs rokasgrāmatas sadaļā „TRIMMERA GALVAS NOMAIŅA”.
Griezējaukļu nevar pareizi uzlīt uz trimmera galvas.	<ul style="list-style-type: none"> Izmantota nepiemērota griezējaukļa. Trimmera galvā ir uzkrājušies zāles atgriezumai vai netīrumi, kas bloķē auklas spoles kustību. Motors ir pārkaršis, jo vairākkārt tika darbināta auklas uzlīšanas sistēma. Zema akumulatora jauda Aukla nav uzlīta spolē. Bojāta trimmera galva. 	<ul style="list-style-type: none"> Mēs iesakām izmantot EGO oriģinālo neilona griezējaukļu. Ja izmantojat EGO neilona auklu un problēma joprojām pastāv, lūdzam, vērsieties pēc padoma EGO klientu apkalpošanas centrā. Izņemiet akumulatoru, atveriet trimmera galvu un rūpīgi iztīriet. Ļaujiet auklas trimmerim dažas minūtes darboties bez slodzes, lai atdzesētu motoru, pēc tam mēģiniet atkārtoti uzlīt auklu. Uzlādējiet akumulatoru Izvelciet auklu un ievietojiet to no jauna. Ja nepieciešams veikt labošanas darbus, sazinieties ar EGO klientu apkalpošanas nodaļu.
ievietojot auklu, griezējaukļu nevar izvērt cauri trimmera galvai.	<ul style="list-style-type: none"> Griezējaukļa ir galā sadalījusies vai saliekusies. 	<ul style="list-style-type: none"> Nogrieziet auklas nodilušo galu un ievietojiet auklu atpakaļ.

LV

GARANTĪJA

EGO GARANTĪJAS POLITIKA

Lūdzam, apmeklējiet mūsu vietni egopowerplus.eu, kur pieejama pilna EGO garantijas politikas noteikumu un nosacījumu versija.

ΔΙΑΒΑΣΤΕ ΟΛΕΣ ΤΙΣ ΟΔΗΓΙΕΣ!



ΔΙΑΒΑΣΤΕ ΤΟ ΕΓΧΕΙΡΙΔΙΟ ΧΡΗΣΗΣ



Προειδοποίηση ασφαλείας

Φοράτε προστατευτικά γυαλιά – Φοράτε πάντοτε προστατευτικά γυαλιά ή γυαλιά ασφαλείας με πλευρική προστασία και πλήρη προστατευτική προσωπίδα κατά τη λειτουργία αυτού του προϊόντος.



Φοράτε προστατευτικά ακοής – Φοράτε πάντα προστατευτικά ακοής όταν χρησιμοποιείτε αυτό το προϊόν.



Τα απόβλητα ειδών ηλεκτρικού και ηλεκτρονικού εξοπλισμού δεν πρέπει να απορρίπτονται στα οικιακά απορρίμματα. Παραδώστε τα σε εξουσιοδοτημένη μονάδα ανακύκλωσης.



Κρατήστε ασφαλείς αποστάσεις – Η απόσταση μεταξύ μηχανής και παρευρισκομένων πρέπει να είναι τουλάχιστον 15 m



Πλάτος κοπής - Μέγιστο πλάτος κοπής χλοοκοπτικού με μεσινέζα



Αποσυνδέετε τη συστοιχία μπαταριών από το χλοοκοπτικό με μεσινέζα προτού εκτελέσετε εργασίες συντήρησης ή καθαρισμού



Αυτό το προϊόν συμμορφώνεται με την εφαρμοστέα νομοθεσία του Ηνωμένου Βασιλείου.

A Ampere

Cm Εκατοστό

⋮ Συνεχές ρεύμα

ΣΥΜΒΟΛΟ ΑΣΦΑΛΕΙΑΣ

Η λειτουργία ηλεκτρικών εργαλείων μπορεί να προκαλέσει την εκτόξευση ξένων αντικειμένων στα μάτια σας, με αποτέλεσμα σοβαρό τραυματισμό. Προτού ξεκινήσετε τη χρήση του ηλεκτρικού εργαλείου, φοράτε πάντα προστατευτικά γυαλιά ή γυαλιά με πλευρική προστασία και, εφόσον απαιτείται, πλήρη προστατευτική προσωπίδα. Συνιστούμε μια προσωπίδα ασφαλείας ευρείας όρασης, για χρήση πάνω από γυαλιά ή τα συνήθη προστατευτικά γυαλιά με πλευρική προστασία.



Προκειμένου να μειωθεί ο κίνδυνος τραυματισμού, ο χρήστης πρέπει να διαβάσει το εγχειρίδιο χρήσης.

IPX4 Διαθέτει προστασία από πιτσίλισμα νερού



Εγγυημένη στάθμη ηχητικής ισχύος.



Κίνδυνος λόγω εκσφενδονισμού αντικειμένων – Αντικείμενα που εκσφενδονίζονται μπορεί να εξοστρακιστούν, προκαλώντας τραυματισμό ή υλικές ζημιές. Εξασφαλίζετε ότι άλλα άτομα ή κατοικίδια παραμένουν μακριά από το χλοοκοπτικό με μεσινέζα όταν αυτό χρησιμοποιείται.



Μην χρησιμοποιείτε μεταλλικές λεπίδες στο χλοοκοπτικό με μεσινέζα.



Διάμετρος μεσινέζας - Διάμετρος της νάιλον μεσινέζας



Αυτό το προϊόν συμμορφώνεται με τις εφαρμοστέες οδηγίες της ΕΚ.

V Τάση

mm Χίλιοστό

kg Κιλό

... /min Ανά λεπτό

GR

ΤΕΧΝΙΚΕΣ ΠΡΟΔΙΑΓΡΑΦΕΣ

Τάση	56 V ---	
Ταχύτητα χωρίς φορτίο	Εύρος χαμηλής ταχύτητας: 3500-4800 min ⁻¹	
	Εύρος υψηλής ταχύτητας: 4000-5500 min ⁻¹	
Μηχανισμός μεσινέζας	ΤΡΟΦΟΔΟΣΙΑ LINE-IQ	
Τύπος μεσινέζας	2,4 mm νάιλον συστρεφόμενο νήμα	
Πλάτος κοπής	40 cm	
Συνιστώμενη θερμοκρασία λειτουργίας	0°C - 40°C	
Συνιστώμενη θερμοκρασία αποθήκευσης	-20°C - 70°C	
Βάρος (χωρίς συστοιχία μπαταριών)	3,5 kg	
Μετρημένη στάθμη ηχητικής ισχύος L _{WA}	90 dB(A) K=2,5 dB(A)	
Στάθμη ηχητικής πίεσης στο αυτί του χειριστή L _{PA}	77 dB(A) K=3 dB(A)	
Εγγυημένη στάθμη ηχητικής ισχύος L _{WA} (μέτρηση κατά 2000/14/ΕΚ)	92 dB(A)	
Αξιολόγηση δονήσεων a _h	Μπροστινή χειρολαβή	3,9 m/s ² K = 1,5 m/s ²
	Πίσω χειρολαβή	2,7 m/s ² K = 1,5 m/s ²

GR

- Η δηλωθείσα συνολική τιμή κραδασμών έχει μετρηθεί σύμφωνα με πρότυπη μέθοδο ελέγχου και μπορεί να χρησιμοποιηθεί για τη σύγκριση ενός εργαλείου με κάποιο άλλο.
- Η αναφερόμενη συνολική τιμή κραδασμών μπορεί να χρησιμοποιηθεί, επίσης, για προκαταρκτική αξιολόγηση έκθεσης.

ΕΙΔΟΠΟΙΗΣΗ: Οι εκπομπές κραδασμών κατά τη διάρκεια της πραγματικής χρήσης του ηλεκτρικού εργαλείου μπορεί να διαφέρουν από τη δηλωμένη τιμή στην οποία χρησιμοποιείται το εργαλείο. Για την προστασία του χειριστή, πρέπει να χρησιμοποιούνται γάντια και προστασία της ακοής στις πραγματικές συνθήκες χρήσης.

ΠΕΡΙΓΡΑΦΗ

ΓΝΩΡΙΣΤΕ ΤΟ ΧΛΟΟΚΟΠΤΙΚΟ ΜΕ ΜΕΣΙΝΕΖΑ (Εικ. Α1)

1. Σκανδάλη μεταβλητής ταχύτητας
2. Πίσω χειρολαβή
3. Γλωπίδα ασφάλισης
4. Διακόπτης 2 ταχυτήτων
5. Ένδειξη ταχύτητας
6. Κολάρο κλειδώματος ύψους
7. Γρήγορα ρυθμιζόμενη μπροστινή χειρολαβή
8. Μοχλός γρήγορης αποδέσμευσης
9. Μεντεσές & μπουλόνι ασφάλισης
10. Κουμπί POWERLOAD™
11. Κεφαλή χλοοκοπτικού (με τροφοδοσία LINE-IQ)
12. Μεσινέζα
13. Γλωπίδα αποδέσμευσης
14. Λεπίδα κοπής μεσινέζας
15. Καλύπτρα
16. Μηχανισμός εκτόξευσης
17. Μάνταλο
18. Κουμπί αποδέσμευσης συστοιχίας μπαταριών
19. Εξάγωνο κλειδί
20. Βρόχος ιμάντα ώμου
21. Ιμάντας ώμου

ΚΑΤΑΛΟΓΟΣ ΕΞΑΡΤΗΜΑΤΩΝ ΣΥΣΚΕΥΑΣΙΑΣ (ΕΙΚ. Α1)

ΣΥΝΑΡΜΟΛΟΓΗΣΗ

⚠ ΠΡΟΕΙΔΟΠΟΙΗΣΗ: Σε περίπτωση που κάποια από τα εξαρτήματα έχουν υποστεί ζημιά ή λείπουν, μη χρησιμοποιήσετε το προϊόν, μέχρι να αντικατασταθούν. Η χρήση αυτού του προϊόντος με φθαρμένα ή ελλιπή εξαρτήματα μπορεί να έχει ως αποτέλεσμα σοβαρό τραυματισμό.

⚠ ΠΡΟΕΙΔΟΠΟΙΗΣΗ: Μην επιχειρήσετε να τροποποιήσετε αυτό το προϊόν ή να δημιουργήσετε παρελκόμενα που δε συνιστώνται για χρήση με αυτό το χλοοκοπτικό με μεσινέζα. Κάθε παρόμοια μετατροπή ή τροποποίηση συνιστά κακή χρήση και μπορεί να δημιουργήσει επικίνδυνες καταστάσεις με επακόλουθο τον σοβαρό τραυματισμό.

⚠ ΠΡΟΕΙΔΟΠΟΙΗΣΗ: Για να εμποδίσετε τυχαία εκκίνηση που θα μπορούσε να προκαλέσει σοβαρό τραυματισμό, απομακρύνετε πάντα τη συστοιχία μπαταριών από τη μηχανή όταν συναρμολογείτε εξαρτήματα.

ΞΕΔΙΠΛΩΜΑ ΑΞΟΝΑ

⚠ ΠΡΟΕΙΔΟΠΟΙΗΣΗ: Μην κρατάτε τον άξονα από την άρθρωση, για να μην τρυπήσετε τα χέρια ή τα δάχτυλά σας.

⚠ ΠΡΟΕΙΔΟΠΟΙΗΣΗ: Μην επιχειρήσετε να θέσετε το χλοοκοπτικό σε λειτουργία προτού να ασφαλίσει ο άξονας. Ξεδιπλώστε προσεκτικά τον άξονα, διασφαλίζοντας ότι το καλώδιο βρίσκεται μέσα σε αυτόν, και ασφαλίστε με το μπουλόνι χρησιμοποιώντας το μηχανικό κλειδί (Εικ. Β1 & Β2).

ΠΡΟΣΑΡΤΗΣΗ ΚΑΛΥΠΤΡΑΣ

⚠ ΠΡΟΕΙΔΟΠΟΙΗΣΗ: Φοράτε πάντα γάντια κατά την προσάρτηση ή αντικατάσταση της καλύπτρας. Προσέχετε τη λεπίδα στην καλύπτρα και προστατεύετε τα χέρια σας από τραυματισμό λόγω της λεπίδας.

⚠ ΠΡΟΕΙΔΟΠΟΙΗΣΗ: Μην χρησιμοποιήσετε ποτέ τη μηχανή χωρίς να είναι καλά τοποθετημένη η καλύπτρα. Η καλύπτρα πρέπει να βρίσκεται πάντα προσαρτημένη στη μηχανή για την προστασία του χρήστη! Εφόσον έχει προσαρτηθεί η καλύπτρα, μην επιχειρήσετε ποτέ να την αφαιρέσετε ή να τη ρυθμίσετε. Εφόσον απαιτηθεί αντικατάσταση, αυτή θα πρέπει να διεξαχθεί από εξειδικευμένο τεχνικό σέρβις!

Τοποθετήστε το χλοοκοπτικό με τέτοιο τρόπο, ώστε η κεφαλή χλοοκοπτικού να είναι στραμμένη προς τα επάνω (Εικ. C1). Ευθυγραμμίστε τις οπές τοποθέτησης της καλύπτρας με τις οπές συναρμολόγησης και, στη συνέχεια, κλειδώστε την καλύπτρα πάνω στη βάση άξονα με τις δύο βίδες (Εικ. C2).

ΕΙΔΟΠΟΙΗΣΗ: Διασφαλίστε ότι η καλύπτρα έχει προσαρτηθεί σύμφωνα με τις Εικ. C1 και C2, ενώ οποιαδήποτε αντίστροφη προσάρτηση είναι εξαιρετικά επικίνδυνη!

ΠΡΟΣΑΡΤΗΣΗ ΚΑΙ ΡΥΘΜΙΣΗ ΤΗΣ ΜΠΡΟΣΤΙΝΗΣ ΧΕΙΡΟΛΑΒΗΣ

- Χαλαρώστε και αφαιρέστε το μοχλό γρήγορης αποδέσμευσης και την πεταλούδα από την μπροστινή χειρολαβή (Εικ. D1).

D1-1	Μπροστινή χειρολαβή	D1-2	Μπλοκ σύσφιξης
------	---------------------	------	----------------

D1-3	Πεταλούδα	D1-4	Μοχλός γρήγορης αποδέσμευσης
------	-----------	------	------------------------------

- Ωθήστε την μπροστινή χειρολαβή πάνω στον άξονα εντός της ζώνης τοποθέτησης μεταξύ του κολάρου κλειδώματος ύψους και του μεντεσέ (Εικ. D2).
- Εισαγάγετε το μπλοκ σύσφιξης μέσα στην εσοχή της χειρολαβής (Εικ. D3).
- Τοποθετήστε το μοχλό γρήγορης αποδέσμευσης και σφίξτε προκαταρκτικά την πεταλούδα. Βεβαιωθείτε ότι η μπροστινή χειρολαβή είναι τοποθετημένη προς τα επάνω με κατεύθυνση προς το επάνω μέρος της πίσω χειρολαβής (Εικ. D4).
- Τραβήξτε το μοχλό γρήγορης αποδέσμευσης προς τα πάνω για να μετακινήσετε/περιστρέψετε την μπροστινή χειρολαβή σε μια άνετη θέση χρήσης και, στη συνέχεια, ασφαλίστε το μοχλό γρήγορης αποδέσμευσης (Εικ. D5).

ΕΙΔΟΠΟΙΗΣΗ: Η μπροστινή χειρολαβή πρέπει να τοποθετείται στον άξονα μόνο εντός της ζώνης τοποθέτησης.

⚠ ΠΡΟΕΙΔΟΠΟΙΗΣΗ: Το εργαλείο δεν μπορεί να χρησιμοποιηθεί χωρίς να έχει στερεωθεί με ασφάλεια η μπροστινή χειρολαβή.

ΡΥΘΜΙΣΗ ΥΨΟΥΣ ΤΟΥ ΧΛΟΟΚΟΠΤΙΚΟΥ

Εάν το μήκος του άξονα δεν είναι κατάλληλο για την εργασία που θέλετε να εκτελέσετε, μπορείτε να το ρυθμίσετε με τη βοήθεια του κολάρου κλειδώματος ύψους.

- Αφαιρέστε τη συστοιχία μπαταριών από το χλοοκοπτικό.
- Για να ρυθμίσετε το ύψος του χλοοκοπτικού (δηλ., το μήκος άξονα), ανοίξτε το κολάρο κλειδώματος ύψους και, στη συνέχεια, σύρετε τον άξονα προς τα πάνω ή προς τα κάτω στο επιθυμητό ύψος, και ασφαλίστε τον στην αντίστοιχη θέση, πιέζοντας το κολάρο κλειδώματος ύψους προς τα κάτω (Εικ. E).

E-1	Κολάρο κλειδώματος ύψους
-----	--------------------------

ΠΕΙΔΟΠΟΙΗΣΗ: Η μπροστινή χειρολαβή μπορεί να χρειαστεί να επανατοποθετηθεί μετά από μεταβολή ύψους του χλοοκοπτικού.

ΠΡΟΣΑΡΤΗΣΗ ΙΜΑΝΤΑ ΩΜΟΥ

Για ασφαλή και καλύτερη λειτουργία, περνάτε τον ιμάντα πάνω από έναν ώμο και κατά μήκος της πλάτης σας.

- Χαλαρώστε το βιδωτό κομμάτι και το εξαγωνικό παξιμάδι από τον βρόχο του ιμάντα ώμου (Εικ. F1).

F1-1	Βιδωτό κουμπί	F1-2	Εξαγωνικό φαξιμάδι
F1-3	Βρόχος ιμάντα ώμου		

2. Τοποθετήστε το βρόχο του ιμάντα ώμου σε μια άνετη θέση χρήσης εντός της ζώνης εγκατάστασης και, στη συνέχεια, στερεώστε τον σφίγγοντας το βιδωτό κουμπί και το εξαγωνικό φαξιμάδι.
3. Πιέστε το караμπίνερ του ιμάντα ώμου προς τα κάτω για να το ανοίξετε και προσαρτήστε τον ιμάντα ώμου στην οπή που υπάρχει στο βρόχο του ιμάντα (Εικ. F2).
4. Ρυθμίστε το μήκος και την τοποθέτηση του ιμάντα ώμου σε μια άνετη θέση.

⚠ ΠΡΟΕΙΔΟΠΟΙΗΣΗ: Σε μια επείγουσα κατάσταση, αφαιρέστε τον από τον ώμο σας αμέσως, ανεξάρτητα από τη θέση του ιμάντα.

Μην χρησιμοποιείτε τον μονό ιμάντα ώμου και τον διπλό ιμάντα ώμου ταυτόχρονα.

Όταν φοράτε τον ιμάντα, τίποτα δεν πρέπει να εμποδίζει την αποδέσμευση και την αφαίρεση του ιμάντα.

ΛΕΙΤΟΥΡΓΙΑ

⚠ ΠΡΟΕΙΔΟΠΟΙΗΣΗ: Φοράτε πάντα προστατευτικά γυαλιά ή προστασία για τα μάτια με πλάγια προστατευτικά μαζί με προστασία ακοής. Στην αντίθετη περίπτωση, ενδέχεται να υπάρξει εκτόξευση αντικειμένων στα μάτια σας και άλλοι πιθανοί σοβαροί τραυματισμοί.

Κούρεμα γρασιδιού και αγριόχορτων γύρω από βεράντες, φράχτες και καταστρώματα.

Κοπή γρασιδιού που κόβεται δύσκολα με κοινή χλοοκοπτική μηχανή.

ΠΡΟΣΑΡΤΗΣΗ/ΑΠΟΜΑΚΡΥΝΣΗ ΤΗΣ ΣΥΣΤΟΙΧΙΑΣ ΜΠΑΤΑΡΙΩΝ

Να χρησιμοποιείται μόνο με τις συστοιχίες μπαταριών και τους φορτιστές της EGO που αναφέρονται στην Εικ. A2

Φορτίστε πλήρως πριν από την πρώτη χρήση.

Προσάρτηση

Ευθυγραμμίστε τις νευρώσεις της συστοιχίας μπαταριών με τις οπές τοποθέτησης και πιέστε τη συστοιχία μπαταριών προς τα κάτω, μέχρι να ακούσετε «κλικ» (Εικ. G1).

Αφαίρεση

Πιέστε το κουμπί αποδέσμευσης της συστοιχίας μπαταριών και τραβήξτε την προς τα έξω (Εικ. G2).

ΚΡΑΤΗΜΑ ΤΟΥ ΧΛΟΟΚΟΠΤΙΚΟΥ ΜΕ ΜΕΣΙΝΕΖΑ (Εικ. Η)

Για ασφαλέστερη και καλύτερη λειτουργία, τοποθετήστε τον ιμάντα ώμου εγκάρσια στον ώμο. Ρυθμίστε το μήκος και την τοποθέτηση του ιμάντα ώμου σε μια άνετη θέση – κρατήστε το χλοοκοπτικό και με τα δύο χέρια: το ένα χέρι στην πίσω χειρολαβή και το άλλο στην μπροστινή χειρολαβή.

ΕΙΔΟΠΟΙΗΣΗ: Η κεφαλή χλοοκοπτικού πρέπει να είναι παράλληλα προς το έδαφος σε μια σωστή απόσταση κοπής χωρίς ο χειριστής να σκύβει.

⚠ ΠΡΟΕΙΔΟΠΟΙΗΣΗ: Σε περίπτωση επείγοντος περιστατικού, βγάλτε αμέσως τον ιμάντα ώμου, ανεξάρτητα από τον τρόπο που τον έχετε τοποθετήσει.

ΕΝΕΡΓΟΠΟΙΗΣΗ/ΑΠΕΝΕΡΓΟΠΟΙΗΣΗ ΤΟΥ ΧΛΟΟΚΟΠΤΙΚΟΥ ΜΕ ΜΕΣΙΝΕΖΑ (Εικ. Ι)

Ενεργοποίηση

Μετακινήστε τη γλωττίδα ασφάλισης προς τα εμπρός και μετά πιέστε τη σκανδάλη μεταβλητής ταχύτητας.

Ο διακόπτης-σκανδάλη διαθέτει αβαθμιδωτή ρύθμιση ταχύτητας. Όσο πιο πολύ πιέζετε τη σκανδάλη, τόσο αυξάνεται η ταχύτητα.

I-1	Γλωττίδα ασφάλισης	I-2	Σκανδάλη μεταβλητής ταχύτητας
-----	--------------------	-----	-------------------------------

Απενεργοποίηση

Αποδεσμεύστε τη σκανδάλη μεταβλητής ταχύτητας.

ΛΕΙΤΟΥΡΓΙΑ ΡΥΘΜΙΣΗΣ ΤΑΧΥΤΗΤΑΣ (Εικ. J)

Το χλοοκοπτικό με μεσινέζα διαθέτει δύο ταχύτητες. Πατήστε το διακόπτη 2 ταχυτήτων για εναλλαγή της ταχύτητας κοπής μεταξύ χαμηλής και υψηλής.

Η ένδειξη ταχύτητας θα προβάλει την κατάσταση της ενεργής ταχύτητας: μία λυχνία για χαμηλή ταχύτητα και δύο για υψηλή ταχύτητα. Το εύρος χαμηλής ταχύτητας παρέχει καλύτερο έλεγχο του χλοοκοπτικού και περισσότερο χρόνο λειτουργίας ανά φόρτιση.

J-1	Ένδειξη ταχύτητας	J-2	Διακόπτης 2 ταχυτήτων
-----	-------------------	-----	-----------------------

ΧΡΗΣΗ ΤΟΥ ΧΛΟΟΚΟΠΤΙΚΟΥ ΜΕ ΜΕΣΙΝΕΖΑ

Καθαρίζετε την περιοχή κοπής πριν από κάθε χρήση. Απομακρύνετε όλα τα αντικείμενα, όπως πέτρες, σπασμένα γυαλιά, καρφιά, σύρματα ή μεσινέζες, τα

οποία μπορεί να εκσφενδονιστούν ή να εμπλακούν στο προσάρτημα κοπής. Απομακρύνετε παιδιά, παρευρισκόμενους και κατοικίδια από το χώρο. Τα παιδιά, οι παρευρισκόμενοι και τα κατοικίδια πρέπει να βρίσκονται σε απόσταση τουλάχιστον 15 m. Ενδέχεται να εξακολουθεί να υπάρχει κίνδυνος για τους παρευρισκόμενους λόγω εκσφενδονισμού αντικειμένων. Ενθαρρύνετε τους παρευρισκόμενους να φορούν προστασία για τα μάτια. Εάν σας προσεγγίσει κάποιος, απενεργοποιήστε αμέσως τον κινητήρα και το προσάρτημα κοπής.

Πριν από κάθε χρήση ελέγχετε για εξαρτήματα με ζημιές/φθορές

Ελέγξτε την κεφαλή του χλοοκοπτικού, την καλύπτρα, τον ιμάντα ώμου, το βρόχο του ιμάντα ώμου και την μπροστινή χειρολαβή. Αντικαθιστάτε εξαρτήματα που είναι ραγισμένα, στρεβλωμένα, λυγισμένα ή κατεστραμμένα κατά οποιονδήποτε τρόπο.

Η λεπίδα κοπής μεσινέζας στην άκρη της καλύπτρας μπορεί να στομώσει με την πάροδο του χρόνου. Συνιστάται να την τροχίζετε ανά τακτά χρονικά διαστήματα με μια λίμα ή να την αντικαθιστάτε με νέα.

⚠ ΠΡΟΕΙΔΟΠΟΙΗΣΗ: Φοράτε πάντα γάντια κατά την τοποθέτηση ή αντικατάσταση της καλύπτρας ή κατά το τρόχισμα ή την αντικατάσταση της λεπίδας. Προσέχετε τη θέση της λεπίδας στην καλύπτρα και προστατεύετε τα χέρια σας από τραυματισμό.

Ελέγξτε για εμπλοκή της κεφαλής χλοοκοπτικού

- Για να αποφεύγετε εμπλοκές, διατηρείτε καθαρή την κεφαλή του χλοοκοπτικού. Απομακρύνετε τα υπολείμματα γρασιδιού, τα φύλλα, τη βρωμιά και οποιαδήποτε άλλα συσσωρευμένα υπολείμματα πριν και μετά από κάθε χρήση.
- Σε περίπτωση εμπλοκής, απενεργοποιήστε το χλοοκοπτικό με μεσινέζα και αφαιρέστε την μπαταρία και, στη συνέχεια, αφαιρέστε τυχόν γρασίδι που μπορεί να έχει τυλιχτεί γύρω από τον άξονα του κινητήρα ή την κεφαλή του χλοοκοπτικού.

Μετά από κάθε χρήση, καθαρίζετε το χλοοκοπτικό.

ΡΥΘΜΙΣΗ ΤΟΥ ΜΗΚΟΥΣ ΤΗΣ ΜΕΣΙΝΕΖΑΣ

Η κεφαλή τροφοδοσίας του χλοοκοπτικού Line-IQ είναι εξοπλισμένη με προηγμένη τεχνολογία.

Εάν οποιοδήποτε άκρο της μεσινέζας φθαρεί κατά λιγότερο από 18 cm κατά το κόψιμο, η κεφαλή του χλοοκοπτικού θα αποδεσμεύσει αυτόματα νέα μεσινέζα, ενώ η λεπίδα κοπής μεσινέζας θα κόψει το επιπλέον τμήμα της μεσινέζας (Εικ. Κ).

ΕΙΔΟΠΟΙΗΣΗ: Δεν χρειάζεται να χτυπήσετε την κεφαλή του χλοοκοπτικού για να αποδεσμευτεί μεσινέζα. Εάν αισθανθείτε ένα ελαφρύ τράνταγμα της κεφαλής του χλοοκοπτικού κατά το κόψιμο του γρασιδιού, αυτό οφείλεται στην αυτόματη αποδέσμευση μεσινέζας.

⚠ ΠΡΟΕΙΔΟΠΟΙΗΣΗ: Μην απομακρύνετε ή τροποποιείτε τη μονάδα λεπίδας κοπής νήματος. Το υπερβολικά μεγάλο μήκος μεσινέζας θα προκαλέσει υπερθέρμανση στον κινητήρα και μπορεί να προκύψει σοβαρός τραυματισμός.

ΑΝΤΙΚΑΤΑΣΤΑΣΗ ΜΕΣΙΝΕΖΑΣ

ΕΙΔΟΠΟΙΗΣΗ: Χρησιμοποιείτε πάντα τη συνιστώμενη νάilon μεσινέζα διαμέτρου 2,4 mm.

Η χρήση διαφορετικής μεσινέζας μπορεί να προκαλέσει υπερθέρμανση ή ζημιά στο ηλεκτρικό εργαλείο.

⚠ ΠΡΟΕΙΔΟΠΟΙΗΣΗ: Μη χρησιμοποιείτε ποτέ μεσινέζα ενισχυμένη με μέταλλο, καλώδιο ή σχοινί. Αυτές μπορεί να σπάσουν και να εκτοξευθούν.

Το χλοοκοπτικό με μεσινέζα είναι εξοπλισμένο με ένα προηγμένο σύστημα POWERLOAD™. Το νήμα κοπής μπορεί να τυλιχτεί επάνω στο καρούλι απλά πιέζοντας ένα μόνο κουμπί. Η φόρτωση ενός πλήρους καρουλιού απαιτεί συνήθως 12 δευτερόλεπτα. **Αποφεύγετε την επαναλαμβανόμενη λειτουργία του συστήματος τυλίγματος με γρήγορες διαδοχικές διαδικασίες, ώστε να μειώσετε την πιθανότητα ζημιάς στον κινητήρα.**

1. Αφαιρέστε τη συστοιχία μπαταριών.
2. Κόψτε ένα κομμάτι μεσινέζας 4 m.
3. Εισαγάγετε τη μεσινέζα στο οφθαλμίδιο και ωθήστε την όσο χρειαστεί, προκειμένου να βγει από το άλλο οφθαλμίδιο (Εικ. L1).

L1-1	Νήμα κοπής	L1-2	Οφθαλμίδιο
------	------------	------	------------

GR

ΕΙΔΟΠΟΙΗΣΗ: Δεν χρειάζεται να ευθυγραμμίσετε τα οφθαλμίδια για να τοποθετήσετε τη μεσινέζα. Εάν η μεσινέζα δεν μπορεί να εισαχθεί στο οφθαλμίδιο, προσαρτήστε τη συστοιχία μπαταριών στο χλοοκοπτικό και, στη συνέχεια, πατήστε στιγμιαία το κουμπί POWER-LOAD για να επαναφέρετε το μηχανισμό τυλίγματος.

4. Αφαιρέστε τη συστοιχία μπαταριών εάν έχει τοποθετηθεί στο χλοοκοπτικό στο βήμα 3.
5. Τραβήξτε τη μεσινέζα από την άλλη πλευρά, ώσπου να έχετε ίσα μήκη μεσινέζας και στις δύο πλευρές της κεφαλής χλοοκοπτικού (Εικ. L2).
6. Εγκαταστήστε τη συστοιχία μπαταριών στο

χλοοκοπτικό με μεσινέζα.

7. Πιέστε και κρατήστε πατημένο το κουμπί POWERLOAD για να εκκινήσετε τον κινητήρα τυλίγματος μεσινέζας. Η μεσινέζα θα τυλίγεται συνεχώς στην κεφαλή χλοοκοπτικού.
8. Παρακολουθείτε προσεκτικά το υπολειπόμενο μήκος της μεσινέζας. Προετοιμαστείτε για αποδέσμευση του κουμπιού μόλις μείνουν περ. 22 cm μεσινέζας σε κάθε πλευρά. Πιέστε στιγμιαία το κουμπί φόρτωσης μεσινέζας για να προσαρμόσετε το μήκος σε 18 cm ορατής μεσινέζας σε κάθε πλευρά (Εικ. L3).

ΕΙΔΟΠΟΙΗΣΗ: Σε περίπτωση που το νήμα τραβηχτεί κατά λάθος στην κεφαλή χλοοκοπτικού, ανοίξτε την κεφαλή και τραβήξτε το νήμα κοπής έξω από το καρούλι. Ακολουθήστε τις οδηγίες της ενότητας «ΕΠΑΝΑΤΟΠΟΘΕΤΗΣΗ ΜΕΣΙΝΕΖΑΣ» στο παρόν εγχειρίδιο για να επανατοποθετήσετε τη μεσινέζα.

ΕΠΑΝΑΤΟΠΟΘΕΤΗΣΗ ΜΕΣΙΝΕΖΑΣ

ΕΙΔΟΠΟΙΗΣΗ: Εάν η μεσινέζα κολλήσει στην κεφαλή του χλοοκοπτικού, θα πρέπει να αφαιρέσετε την υπόλοιπη μεσινέζα από την κεφαλή του χλοοκοπτικού και να ακολουθήσετε τα παρακάτω βήματα για να επανατοποθετήσετε τη μεσινέζα.

1. Αφαιρέστε τη συστοιχία μπαταριών.
2. Πιέστε τις γλωπίδες αποδέσμευσης στην κεφαλή του χλοοκοπτικού και αφαιρέστε το συγκρότημα κάτω καλύμματος της κεφαλής χλοοκοπτικού τραβώντας το ευθεία προς τα έξω (Εικ. M1 & M2).

M1-1	Γλωπίδα αποδέσμευσης	M1-2	Συγκρότημα κάτω καλύμματος
------	----------------------	------	----------------------------

GR

3. Αφαιρέστε τη μεσινέζα από την κεφαλή του χλοοκοπτικού.
4. Κρατώντας με το ένα χέρι το χλοοκοπτικό χρησιμοποιήστε το άλλο χέρι για να πιάσετε το συγκρότημα κάτω καλύμματος και ευθυγραμμίστε τις υποδοχές στο συγκρότημα κάτω καλύμματος με τις γλωπίδες αποδέσμευσης. Πιέστε το συγκρότημα κάτω καλύμματος μέχρι να κουμπώσει στη θέση του, οπότε και θα ακούσετε το χαρακτηριστικό ήχο «κλικ» (Εικ. M3).

M3-1	Γλωπίδα αποδέσμευσης	M3-2	Υποδοχή
------	----------------------	------	---------

5. Ακολουθήστε τις οδηγίες της ενότητας

«ΑΝΤΙΚΑΤΑΣΤΑΣΗ ΜΕΣΙΝΕΖΑΣ» στο παρόν εγχειρίδιο για να επαναφορτώσετε τη μεσινέζα κοπής.

ΑΝΤΙΚΑΤΑΣΤΑΣΗ ΚΕΦΑΛΗΣ ΧΛΟΟΚΟΠΤΙΚΟΥ

▲ ΠΡΟΕΙΔΟΠΟΙΗΣΗ: Εάν η κεφαλή λασκάρει μετά τη στερέωση της, αντικαταστήστε την αμέσως. Ποτέ μη χρησιμοποιείτε ένα χλοοκοπτικό με λασκαρισμένο προσάρτημα κοπής. Αντικαθιστάτε μια ραγιωμένη, με ζημιές ή φθαρμένη κεφαλή κοπής αμέσως, ακόμα και εάν η ζημιά είναι μόνο επιφανειακές ρωγμές. Τέτοια προσάρτηματα μπορεί να σπασούν σε υψηλή ταχύτητα και να προκαλέσουν σοβαρό τραυματισμό.

Γνωρίστε την κεφαλή του χλοοκοπτικού (Εκ. N1)

N1-1	Κάτω κάλυμμα	N1-2	Παξιμάδι
N1-3	Συγκρότημα καρουλιού	N1-4	Χιτώνιο

Αφαίρεση της κεφαλής χλοοκοπτικού

1. Αφαιρέστε τη συστοιχία μπαταριών.
2. Πιέστε τις γλωπίδες αποδέσμευσης στην κεφαλή του χλοοκοπτικού και αφαιρέστε το κάτω κάλυμμα της κεφαλής χλοοκοπτικού τραβώντας το ευθεία προς τα έξω (βλ. Εικ. M1 & M2).
3. Αφαιρέστε τη μεσινέζα από την κεφαλή του χλοοκοπτικού (Εικ. N2).
4. Φοράτε γάντια. Χρησιμοποιήστε το ένα χέρι για να πιάσετε το συγκρότημα καρουλιού και να το σταθεροποιήσετε και το άλλο χέρι για να κρατήσετε το γαλλικό κλειδί κρούσης (δεν περιλαμβάνεται) για το αριστερόστροφο λασκάρισμα του παξιμαδιού (Εικ. N3).

N3-1	Παξιμάδι	N3-2	Γαλλικό κλειδί κρούσης (δεν περιλαμβάνεται)
------	----------	------	---

5. Αφαιρέστε το συγκρότημα καρουλιού και το δακτύλιο από τον άξονα κινητήρα. Αποθηκεύστε το δακτύλιο για μεταγενέστερη συναρμολόγηση.
6. Αντικαταστήστε με μια νέα κεφαλή χλοοκοπτικού και τοποθετήστε την με τα εξής βήματα.

Εγκατάσταση νέας κεφαλής χλοοκοπτικού

1. Τοποθετήστε το δακτύλιο στον άξονα κινητήρα και τοποθετήστε το συγκρότημα καρουλιού στη θέση του. Χρησιμοποιήστε ένα γαλλικό κλειδί κρούσης για να συσφίξετε το παζμάδι.
2. Τοποθετήστε το συγκρότημα κάτω καλύμματος (βλ. Εικ. Μ3).
3. ΕΠΑΝΑΦΟΡΤΩΣΗ ΤΗΣ ΜΕΣΙΝΕΖΑΣ ΚΟΠΗΣ
4. Εκκινήστε το εργαλείο για να δείτε εάν το χλοοκοπτικό με μεσινέζα λειτουργεί φυσιολογικά. Στην αντίθετη περίπτωση, επανασυναρμολογήστε όπως περιγράφεται παραπάνω.

ΣΥΝΤΗΡΗΣΗ

⚠ ΠΡΟΕΙΔΟΠΟΙΗΣΗ: Κατά τη συντήρηση του εργαλείου, χρησιμοποιείτε μόνο όμοια ανταλλακτικά. Η χρήση οποιωνδήποτε άλλων εξαρτημάτων μπορεί να προκαλέσει κίνδυνο ή υλικές ζημιές. Για να διασφαλιστεί η ασφάλεια και η αξιοπιστία, όλες οι επισκευές πρέπει να διεξάγονται από εξειδικευμένο τεχνικό σέρβις.

⚠ ΠΡΟΕΙΔΟΠΟΙΗΣΗ: Προκειμένου να αποφευχθεί σοβαρός τραυματισμός, απουσνδέστε τη συστοιχία μπαταριών από το ηλεκτρικό εργαλείο πριν από τη συντήρηση, τον καθαρισμό ή την αφαίρεση υλικού από τη μονάδα.

⚠ ΠΡΟΣΟΧΗ: Τα εμπόδια στις οπές εμποδίζουν ροή του αέρα στο περίβλημα κινητήρα και προκαλούν υπερθέρμανση ή τη ζημιά σε αυτόν.

ΚΑΘΑΡΙΣΜΟΣ ΤΗΣ ΜΟΝΑΔΑΣ

- Καθαρίζετε τη μονάδα, χρησιμοποιώντας ένα νωπό πανί με ήπιο απορρυπαντικό. Δεν πρέπει να εισχωρήσουν υγρά στο εσωτερικό του εργαλείου. Μη βυθίζετε ποτέ οποιοδήποτε τμήμα του εργαλείου σε υγρά.
- Μη χρησιμοποιήσετε κανένα δραστικό απορρυπαντικό πάνω στο πλαστικό περίβλημα ή τη χειρολαβή. Αυτά μπορούν να καταστραφούν από ορισμένα αρωματικά έλαια, όπως πεύκο και λεμόνι, καθώς και από διαλύτες, όπως η κηροζίνη. Η υγρασία μπορεί, επίσης, να προκαλέσει κίνδυνο ηλεκτροπληξίας. Σκουπίζετε ενδεχόμενη υγρασία με ένα μαλακό στεγνό πανί.
- Χρησιμοποιείτε μια μικρή βούρτσα ή την έξοδο αέρα μιας μικρής ηλεκτρικής αναρροφητικής βούρτσας για να καθαρίσετε τις οπές αερισμού και το πίσω περίβλημα.
- Διατηρείτε τα ανοίγματα αερισμού χωρίς εμπόδια.

ΤΡΟΧΙΣΜΑ ΤΗΣ ΛΕΠΙΔΑΣ ΚΟΠΗΣ ΜΕΣΙΝΕΖΑΣ

⚠ ΠΡΟΕΙΔΟΠΟΙΗΣΗ: Προσέχετε πάντα τα χέρια σας, φορώντας ανθεκτικά γάντια όταν πραγματοποιείτε συντήρηση στη λεπίδα κοπής μεσινέζας.

1. Χαλαρώστε τις δύο βίδες και αφαιρέστε τη λεπίδα κοπής μεσινέζας από την καλύπτρα (Εικ. Ο).

O-1	Βίδες	O-2	Λεπίδα κοπής νήματος
-----	-------	-----	----------------------

2. Ασφαλίστε τη λεπίδα σε μια μέγγενη.
3. Λιμάρετε προσεκτικά τις ακμές κοπής της μεσινέζας με μια λίμα λεπτής οδόντωσης ή ακονόπετρα, διατηρώντας όμως σταθερή την αρχική γωνία της ακμής κοπής.
4. Αντικαταστήστε τη λεπίδα πάνω στην καλύπτρα και ασφαλίστε την στη θέση της με δύο βίδες.

ΑΠΟΘΗΚΕΥΣΗ ΤΗΣ ΜΟΝΑΔΑΣ

- Αφαιρέστε τη συστοιχία μπαταριών από το χλοοκοπτικό.
- Καθαρίστε το εργαλείο σχολαστικά προτού το αποθηκεύσετε.
- Αποθηκεύετε τη μονάδα σε στεγνό, καλά αεριζόμενο, κλειδωμένο ή ανυψωμένο χώρο, μακριά από τα παιδιά. Μη αποθηκεύετε τη μονάδα επάνω ή δίπλα σε λιπάσματα, βενζίνη ή άλλες χημικές ουσίες.

Προστασία του περιβάλλοντος



Μην απορρίπτετε ηλεκτρικό εξοπλισμό, παλιές μπαταρίες και φορτιστές στα οικιακά απορρίμματα! Μεταφέρετε αυτό το προϊόν σε εξουσιοδοτημένο κέντρο ανακύκλωσης και παραδώστε το για ξεχωριστή συλλογή. Τα ηλεκτρικά εργαλεία πρέπει να επιστρέφονται σε περιβαλλοντικά συμβατή μονάδα ανακύκλωσης.

GR

ΑΝΤΙΜΕΤΩΠΙΣΗ ΠΡΟΒΛΗΜΑΤΩΝ

ΠΡΟΒΛΗΜΑ	ΑΙΤΙΑ	ΑΝΤΙΜΕΤΩΠΙΣΗ
Το χλοοκοπτικό με μεσινέζα δεν ενεργοποιείται.	<ul style="list-style-type: none"> ■ Η συστοιχία μπαταριών δεν έχει προσαρτηθεί στο χλοοκοπτικό. ■ Δεν υπάρχει ηλεκτρική επαφή μεταξύ ψαλιδιού και συστοιχίας μπαταριών. ■ Η συστοιχία μπαταριών έχει αδειάσει. ■ Ο διακόπτης κλειδώματος δεν μετακινείται προς τα εμπρός εάν δεν πιέσετε τη σκανδάλη μεταβλητής ταχύτητας. ■ Ο άξονας κινητήρα ή η κεφαλή χλοοκοπτικού έχουν μπλοκάρει με γρασίδι. 	<ul style="list-style-type: none"> ■ Τοποθετήστε τη συστοιχία μπαταριών στο χλοοκοπτικό. ■ Απομακρύνετε τη συστοιχία μπαταριών, ελέγξτε τις επαφές και εγκαταστήστε τη συστοιχία μπαταριών εκ νέου. ■ Φορτίστε τη συστοιχία μπαταριών. ■ Μετακινήστε τη γλωπίδα ασφάλισης προς τα εμπρός και μετά πιέστε τη σκανδάλη μεταβλητής ταχύτητας. ■ Αφαιρέστε το γρασίδι από τον άξονα του κινητήρα και την κεφαλή του χλοοκοπτικού.
Το χλοοκοπτικό με μεσινέζα σταματάει κατά την κοπή.	<ul style="list-style-type: none"> ■ Η καλύπτρα δεν έχει τοποθετηθεί στο χλοοκοπτικό με αποτέλεσμα μια υπερβολικά μακριά μεσινέζα και την υπερφόρτωση του κινητήρα. ■ Χρησιμοποιείται μια βαριά μεσινέζα. ■ Η συστοιχία μπαταριών ή το χλοοκοπτικό με μεσινέζα είναι υπερβολικά ζεστά. ■ Το πακέτο μπαταρίας έχει αποσυνδεθεί από το εργαλείο. ■ Η συστοιχία μπαταριών έχει αδειάσει. 	<ul style="list-style-type: none"> ■ Απομακρύνετε τη συστοιχία μπαταριών και τοποθετήστε την καλύπτρα στο χλοοκοπτικό. ■ Χρησιμοποιείτε τη συνιστώμενη νάιλον μεσινέζα διαμέτρου 2,4 mm. ■ Αφήστε τη συστοιχία μπαταριών ή το χλοοκοπτικό με μεσινέζα να κρυώσουν. ■ Εγκαταστήστε εκ νέου τη συστοιχία μπαταριών. ■ Φορτίστε τη συστοιχία μπαταριών.

GR

ΠΡΟΒΛΗΜΑ	ΑΙΤΙΑ	ΑΝΤΙΜΕΤΩΠΙΣΗ
Η κεφαλή χλοοκοπτικού δεν προωθεί τη μεσινέζα.	<ul style="list-style-type: none"> ■ Ο άξονας κινητήρα ή η κεφαλή χλοοκοπτικού έχουν μπλοκάρει με γρασίδι. ■ Δεν υπάρχει επαρκής μεσινέζα στο καρούλι ή η μεσινέζα αποδεσμεύεται από το οφθαλμίδιο. ■ Η μεσινέζα έχει μπλεχτεί. ■ Η μεσινέζα είναι υπερβολικά κοντή. ■ Χρησιμοποιείται μια βαριά μεσινέζα. ■ Δυσλειτουργία της κεφαλής του χλοοκοπτικού. 	<ul style="list-style-type: none"> ■ Απενεργοποιήστε το χλοοκοπτικό, απομακρύνετε τη μπαταρία και καθαρίστε τον άξονα κινητήρα και την κεφαλή χλοοκοπτικού. ■ Αφαιρέστε την μπαταρία και αντικαταστήστε τη μεσινέζα σύμφωνα με τις οδηγίες της ενότητας «ΑΝΤΙΚΑΤΑΣΤΑΣΗ ΜΕΣΙΝΕΖΑΣ» στο παρόν εγχειρίδιο. ■ Αφαιρέστε την μπαταρία, αφαιρέστε τη μεσινέζα από την κεφαλή του χλοοκοπτικού και τυλίξτε εκ νέου. Ακολουθήστε τις οδηγίες της ενότητας «ΕΠΑΝΑΤΟΠΟΘΕΤΗΣΗ ΜΕΣΙΝΕΖΑΣ» στο παρόν εγχειρίδιο. ■ Απομακρύνετε τη μπαταρία και τραβήξτε τη μεσινέζα με το χέρι, ενώ πιέζετε προς τα κάτω και αποδεσμεύετε διαδοχικά την κεφαλή χλοοκοπτικού. ■ Χρησιμοποιείτε τη συνιστώμενη νάιλον μεσινέζα διαμέτρου 2,4 mm. ■ Καλέστε EGO Εξυπηρέτηση πελατών για βοήθεια.
Η κεφαλή του χλοοκοπτικού συνεχίζει να αποδεσμεύει αυτόματα μεσινέζα.	<ul style="list-style-type: none"> ■ Χρησιμοποιείται μια ελαφριά μεσινέζα. 	<ul style="list-style-type: none"> ■ Χρησιμοποιείτε τη συνιστώμενη νάιλον μεσινέζα διαμέτρου 2,4 mm.
Υπάρχει γρασίδι γύρω από την κεφαλή χλοοκοπτικού και το περίβλημα κινητήρα.	<ul style="list-style-type: none"> ■ Κοπή ψηλού γρασιδιού σε επίπεδο εδάφους 	<ul style="list-style-type: none"> ■ Κόβετε ψηλό γρασίδι από επάνω προς τα κάτω, απομακρύνοντας όχι περισσότερο από 20 cm σε κάθε διέλευση, ώστε να εμποδίσετε την τύλιξη.
Η λεπίδα δεν κόβει τη μεσινέζα.	<ul style="list-style-type: none"> ■ Η λεπίδα κοπής μεσινέζας στο άκρο της καλύπτρας έχει στομώσει. 	<ul style="list-style-type: none"> ■ Ακολουθήστε τις οδηγίες για να τροχίστε με λίμα τη λεπίδα κοπής μεσινέζας ή για να την αντικαταστήσετε με νέα.
Ρωγμές στην κεφαλή του χλοοκοπτικού	<ul style="list-style-type: none"> ■ Η κεφαλή χλοοκοπτικού έχει φθαρεί. 	<ul style="list-style-type: none"> ■ Αντικαταστήστε αμέσως την κεφαλή χλοοκοπτικού, ακολουθώντας τις οδηγίες της ενότητας «ΑΝΤΙΚΑΤΑΣΤΑΣΗ ΚΕΦΑΛΗΣ ΧΛΟΟΚΟΠΤΙΚΟΥ» στο παρόν εγχειρίδιο.

ΠΡΟΒΛΗΜΑ	ΑΙΤΙΑ	ΑΝΤΙΜΕΤΩΠΙΣΗ
<p>Η μεσινέζα δεν τυλίγεται σωστά στην κεφαλή χλοοκοπτικού.</p>	<ul style="list-style-type: none"> ■ Χρησιμοποιείται ακατάλληλη μεσινέζα. ■ Στην κεφαλή χλοοκοπτικού έχει συσσωρευτεί γρασιδί ή βρωμιά, μπλοκάροντας την κίνηση του καρουλιού. ■ Ο κινητήρας έχει υπερθερμανθεί λόγω επανειλημμένης χρήσης του συστήματος τυλίγματος μεσινέζας. ■ Χαμηλή χωρητικότητα μπαταρίας ■ Η μεσινέζα δεν τυλίγεται στο συγκρότημα καρουλιού. ■ Η κεφαλή κοπής είναι ελαττωματική. 	<ul style="list-style-type: none"> ■ Σας συνιστούμε να χρησιμοποιείτε γνήσια νάιλον μεσινέζα της EGO. Εάν το πρόβλημα επιμένει παρά τη χρήση νήματος κοπής της EGO, επικοινωνήστε με την εξυπηρέτηση πελατών της EGO για βοήθεια. ■ Αφαιρέστε τη συστοιχία μπαταριών, ανοίξτε την κεφαλή χλοοκοπτικού και καθαρίστε την διεξοδικά. ■ Αφήστε το χλοοκοπτικό με μεσινέζα να λειτουργήσει χωρίς φορτίο για μερικά λεπτά, ώστε να κρυώσει ο κινητήρας, και μετά ξαναπροσπαθήστε να τοποθετήσετε τη μεσινέζα. ■ Φορτίστε τη συστοιχία μπαταριών ■ Τραβήξτε τη μεσινέζα προς τα έξω και τοποθετήστε την ξανά. ■ Καλέστε EGO Εξυπηρέτηση πελατών για βοήθεια.
<p>Η μεσινέζα κοπής δεν μπορεί να περάσει μέσα από την κεφαλή χλοοκοπτικού κατά την τοποθέτηση μεσινέζας.</p>	<ul style="list-style-type: none"> ■ Η μεσινέζα κοπής έχει ξεφτίσει ή λυγίσει στην άκρη. 	<ul style="list-style-type: none"> ■ Κόψτε τη φθαρμένη άκρη της μεσινέζας και εισαγάγετέ την ξανά.

ΕΓΓΥΗΣΗ

ΠΟΛΙΤΙΚΗ ΕΓΓΥΗΣΗΣ EGO

GR

Επισκεφθείτε την ιστοσελίδα egopowerplus.eu για όλους τους όρους και τις προϋποθέσεις της πολιτικής εγγύησης EGO.

TÜM TALIMATLARI OKUYUN!



KULLANIM KILAVUZUNU OKUYUN



Güvenlik Uyarısı



Göz Koruması Takın - Bu ürünü kullanırken daima göz koruması, yan siperleri olan koruyucu gözlük ya da tam yüz maskesi takın.



Kulak Koruması Takın - Bu ürünü kullanırken daima kulak koruması takın.



Atık elektrikli ürünler, evsel atıklar ile birlikte bertaraf edilmemelidir. Yetkili bir geri dönüşüm merkezine teslim edilmelidir.



Güvenli mesafeyi koruyun - Makine ile etraftakiler arasındaki mesafe en az 15 m olmalıdır.



Kesme genişliği - Ot biçme makinesinin maksimum kesme genişliğidir.



Bakım veya temizlik işleri yapmadan önce bataryayı misinalı çim biçme makinesinden ayırın.



Bu ürün, yürürlükteki Birleşik Krallık yasalarına uygundur.

A

Amper

Cm

Santimetre



Doğru Akım

GÜVENLİK SEMBOLÜ

Elektrikli aletler kullanılırken yabancı nesnelere gözlerinize fırlayabilir ve bu da gözlerinize ciddi biçimde zarar verebilir. Elektrikli aleti kullanmaya başlamadan önce daima göz koruması veya yan siperleri olan koruyucu gözlük takın ve gerektiğinde tam yüz siperi kullanın. Gözlük üzerinde kullanım için Geniş Görüşlü Güvenlik Maskesi takmanızı veya yan siperleri olan standart koruyucu gözlük takmanızı öneririz.



Yaralanma riskini azaltmak için kullanıcı, kullanma kılavuzunu mutlaka okumalıdır.

IPX4

Sıçrayan Suya Karşı Koruma



Garanti edilen ses gücü seviyesidir.



Fırlayan nesnelere dikkat edin - Fırlayan nesnelere sekebilir ve yaralanmaya veya maddi hasara neden olabilir. Misinalı çim biçme makinesi kullanılırken diğer insanların ve evcil hayvanların uzakta olduklarından emin olun.



Misinalı çim biçme makinesinde metal bıçaklar kullanmayın.



Misina çapı - Naylon misinanın çapıdır.



Bu ürün, yürürlükteki AB yönetmeliklerine uygundur.

V

Voltaaj

mm

Milimetre

kg

Kilogram

... /dk.

Dakika Başına

TR

TEKNİK ÖZELLİKLER

Voltaj	56 V ---	
Yüksüz Hız	Düşük hız aralığı: 3500-4800 dk. ⁻¹ Yüksek hız aralığı: 4000-5500 dk. ⁻¹	
Kesme Misinası Mekanizması	LINE-IQ BESLEME	
Kesme Misinası Türü	2,4 mm naylon bükülü misina	
Kesme Genişliği	40 cm	
Önerilen Çalışma Sıcaklığı	0°C - 40°C	
Önerilen Depolama Sıcaklığı	-20°C - 70°C	
Ağırlık (batarya hariç)	3,5 kg	
Ölçülen ses gücü seviyesi L _{WA}	90 dB(A) K=2,5 dB(A)	
Operatörün kulağındaki ses basıncı seviyesi L _{PA}	77 dB(A) K=3 dB(A)	
Garanti edilen ses gücü seviyesi L _{WA} (2000/14/EC uyarınca ölçülmüştür)	92 dB(A)	
Titreşim değeri a _h	Ön tutma kolu	3,9 m/sn. ² K = 1,5 m/sn. ²
	Arka tutma kolu	2,7 m/sn. ² K = 1,5 m/sn. ²

- Beyan edilen toplam titreşim değeri, standart test yöntemine uygun olarak ölçülmüştür ve bir aleti diğer alet ile karşılaştırmak için kullanılabilir.
- Beyan edilen toplam titreşim değeri, maruz kalma seviyesinin ilk değerlendirmesi için de kullanılabilir.

TR

DİKKAT: Elektrikli aletin fiili kullanımı sırasında oluşan titreşim emisyonu değeri aletin kullanım şekline bağlı olarak beyan edilen değerden farklı olabilir. Operatör korunmak için fiili kullanım koşullarında eldiven ve kulak koruması takmalıdır.

AÇIKLAMA

MİSİNALI ÇİM BİÇME MAKİNENİZİ TANIYIN (Şek. A1)

1. Değişken Hız Tetiği
2. Arka Tutma Kolu
3. Kilitleme Dili
4. 2 Hızlı Düğme
5. Hız Göstergesi

6. Boy Kilitleme Mandalı
7. Hızlı Ayarlanabilir Ön Tutma Kolu
8. Hızlı Çıkarma Kolu
9. Mafsal ve Kilitleme Cıvatası
10. POWERLOAD™ Düğmesi
11. Biçme Başlığı (LINE-IQ Beslemeli)
12. Kesme Misinası
13. Açma Tırnağı
14. Misina Kesme Bıçağı
15. Siper
16. Çıkarma Mekanizması
17. Mandal
18. Batarya Çıkarma Düğmesi
19. Alyan Anahtar
20. Omuz Askısı Halkası
21. Omuz Askısı

AMBALAJ İÇERİĞİ (ŞEK. A1)

MONTAJ

⚠ UYARI: Hasarlı veya eksik parça varsa bu parçalar değiştirilinceye kadar ürünü çalıştırmayın. Bu ürünün hasarlı veya eksik parçalar ile kullanılması ciddi yaralanmalara yol açabilir.

⚠ UYARI: Bu ürün üzerinde değişiklik yapmaya veya bu ot biçme makinesi ile kullanılması önerilmeyen aksesuarlar oluşturmaya çalışmayın. Bu tür değişiklikler veya modifikasyonlar hatalı kullanımdır ve ciddi yaralanmalara neden olabilen tehlikeli bir duruma sebep olabilir.

⚠ UYARI: Ciddi kişisel yaralanmalara neden olabilen yanlışlıkla çalışmayı önlemek için parçaları monte ederken aküyü mutlaka makineden çıkarın.

MİLİ AÇMA

⚠ UYARI: Ellerinizin veya parmaklarınızın sıkışmaması için mili bağlantı yerinden tutmayın.

⚠ UYARI: Mil kilitlenmeden makineyi çalıştırmayın.

Kablonun milin içinde olduğundan emin olarak mili yavaşça açın ve verilen anahtar kullanarak cıvatayla mili kilitleyin (Şek. B1 ve B2).

SİPERİ TAKMA

⚠ UYARI: Siperi monte ederken veya değiştirirken

daima eldiven takın. Siper üzerindeki bıçağa dikkat edin ve ellerinizi bıçak yaralanmalarından koruyun.

UYARI: Siper düzgün şekilde takılı değilken asla makineyi kullanmayın. Siper, kullanıcıyı korumak için daima makineye takılı durumda olmalıdır! Siper takılıyken, asla siperi çıkarmaya veya ayarlamaya çalışmayın, değiştirilmesi gerekirse, yetkili bir servis teknisyeni tarafından gerçekleştirilmelidir!

Makinenizi kesme başlığı yukarı bakacak şekilde yerleştirin (Şek. C1). Siperin montaj delikleri ile milin montaj deliklerini hizalayın ve iki vida yardımıyla siperi mil tabanına sabitleyin (Şek. C2).

DİKKAT: Siperin C1 ve C2 şekillerindeki gibi takıldığında emin olun, siperin ters takılması çok büyük tehlike oluşturur!

ÖN TUTMA KOLUNU TAKMA VE AYARLAMA

1. Hızlı çıkarma kolunu ve kelebek somunu ön tutma kolundan gevşetin ve sökün (Şek. D1).

D1-1	Ön tutma kolu	D1-2	Sıkıştırma bloğu
D1-3	Kelebek somunu	D1-4	Hızlı çıkarma kolu

2. Ön tutma kolunu, boy kilitleme mandalı ile mafsallardaki montaj bölgesi içindeki mile itin (Şekil D2).
3. Sıkıştırma bloğunu tutma kolu yuvasına takın (Şek. D3).
4. Hızlı çıkarma kolunu takın ve kelebek somunu önceden sıkın. Ön tutma kolunun yukarı yönlü durduğundan ve arka tutma kolunun üst kısmına doğru baktığından emin olun (Şek. D4).
5. Ön tutma kolunu rahat bir çalışma konumuna hareket ettirmek/döndürmek için hızlı çıkarma kolunu yukarı çekin ve ardından hızlı çıkarma kolunu kilitleyin (Şek. D5).

DİKKAT: Ön tutma kolu, sadece montaj bölgesi içinde mil üzerine yerleştirilmelidir.

UYARI: Ön tutma kolu güvenli bir şekilde takılmadan makine kullanılamaz.

BİÇME MAKİNESİ BOYUNU AYARLAMA

Milin uzunluğu çalıştırma için uygun değilse boy kilitleme mandalı ile milin uzunluğunu ayarlayabilirsiniz.

1. Bataryayı biçme makinesinden çıkarın.
2. Biçme makinesinin boyunu ayarlamak için (ör. mil uzunluğu) boy kilitleme mandalını açın ve ardından mili yukarı veya aşağı kaydırarak istenilen boya getirin ve boy kilitleme mandalına bastırarak yerine sabitleyin

(Şek. E).

E-1	Boy kilitleme mandalı
-----	-----------------------

DİKKAT: Biçme makinesinin boyu değiştirildikten sonra ön tutma kolunun yerinin yeniden ayarlanması gerekebilir.

OMUZ ASKISINI TAKMA

Güvenli ve daha iyi kullanım için omuz askısını bir omuzunuzun üzerinden ve sırtınızdan geçirin.

1. Omuz askısı halkasından topuzlu vidayı ve altıgen somunu gevşetin (Şek. F1).

F1-1	Topuzlu vida	F1-2	Altıgen somun
F1-3	Omuz askısı halkası		

2. Omuz askısı halkasını kurulum alanı içinde rahat bir çalışma konumuna yerleştirin ve ardından topuzlu vidayı ve altıgen somunu sıkarak sabitleyin.
3. Omuz askısı karabinasını açmak için karabinaya bastırın ve omuz askısını askı halkasındaki deliğe takın (Şek. F2).
4. Omuz askısı uzunluğunu ve yerleşimini rahat bir çalışma konumuna ayarlayın.

UYARI: Acil bir durumda, askıyı hangi şekilde takılı olursa olsun derhal omuzunuzdan çıkarın.

Tek omuz askısını ve çift omuz askısını aynı anda kullanmamalısınız.

Askıyı takarken, başka hiçbir giysi askının serbest bırakılmasını ve çıkarılmasını engellemelidir.

ÇALIŞTIRMA

UYARI: Her zaman koruyucu gözlüğünüzü veya yan siperlikli gözlüğünüzü ve koruyucu kulaklığınızı takın. Aksi halde gözlerinize nesnelere fırlayabilir ve başka ciddi yaralanmalar oluşabilir.

Biçme: sundurma, çit ve zeminlerdeki çim ve yabancı otlar.

Kesme: Normal bir biçme makinesiyle ulaşılamaz zor olan çimler.

BATARYAYI TAKMA/ÇIKARMA

Sadece Şek. A2'de listelenen EGO bataryalarını ve şarj cihazlarını kullanın.

İlk kullanımdan önce tamamen şarj edin.

Takmak İçin

Batarya dişleri ile montaj yuvalarını hizalayın ve bir "tık" sesi duyana kadar bataryayı bastırın (Şek. G1).

Çıkarmak için

Batarya çıkarma düğmesine basın ve bataryayı çekip çıkarın (Şek. G2).

MİSİNALI ÇİM BİÇME MAKİNESİNİ TUTMA (Şek. H)

Güvenli ve daha iyi çalışma için omuz askısını omzunuza takın. Omuz askısı uzunluğunu ve yerleşimini rahat bir çalışma konumuna ayarlayın. Biçme makinesini bir elinizle arka tutma kolundan ve diğer elinizle de ön tutma kolundan olacak şekilde iki elinizle tutun.

DİKKAT: Biçme başlığı, operatör eğilmeden uygun bir kesme mesafesinde yere paralel tutulur.

⚠ UYARI: Acil bir durumda, hangi şekilde takılı olursa olsun omuz askısını derhal omuzunuzdan çıkarın.

MİSİNALI ÇİM BİÇME MAKİNESİNİ ÇALIŞTIRMA/ DURDURMA (Şek. I)

Çalıştırmak için

Kilitleme dilini ileri doğru itin ve ardından değişken hız tetiğine basın.

Tetik, kademesiz hız ayarıdır. Tetiği ne kadar çok çekerseniz, hız da o kadar yüksek olur.

I-1	Kilitleme dili	I-2	Değişken hız tetiği
-----	----------------	-----	---------------------

Durdurmak için

Değişken hız tetiğini bırakın.

HIZ AYAR FONKSİYONU (Şek. J)

Misinali çim biçme makinesinde iki hız ayarı vardır. Kesme hızını düşük ve yüksek hız arasında değiştirmek için 2 hızlı düğmeye basın.

Hız göstergesi aktif hız durumunu gösterir: düşük hız için bir ışık ve yüksek hız için iki ışık yanar. Düşük hız aralığı, biçme makinesinin daha iyi kontrol edilmesini ve şarj başına daha uzun çalışma süresi sağlar.

J-1	Hız göstergesi	J-2	2 Hızlı düğme
-----	----------------	-----	---------------

MİSİNALI ÇİM BİÇME MAKİNESİNİ KULLANMA

Her kullanımdan önce kesilecek alanı temizleyin. Taş, kırık cam, çivi, kablo veya tel gibi fırlayabilecek veya kesme aparatına dolanabilecek tüm cisimleri temizleyin. Çocukları, üçüncü şahısları ve evcil hayvanları çalışma alanından uzak tutun. Çocukları, üçüncü şahısları ve evcil hayvanları çalışma alanından en az 15 metre uzakta tutun; buna rağmen üçüncü şahısların fırlayan nesnelere yaralanma

riski olabilir. Üçüncü şahısların göz koruması kullanmaları önerilir. Çalışırken yanınıza yaklaşan kimselerin olması durumunda derhal motoru ve kesme aparatını durdurun.

Her kullanımdan önce hasarlı/aşınmış parça olup olmadığını kontrol edin.

Biçme başlığını, siperi, omuz askısını, omuz askısı halkasını ve ön tutma kolunu kontrol edin. Çatlamış, eğilmiş, bükülmüş veya herhangi bir şekilde hasar görmüş parçaları değiştirin.

Siper kenarındaki misina kesme bıçağı zamanla körelebilir. Bu bıçağı düzenli olarak bir ege ile bilemeniz veya yenisiyle değiştirmeniz önerilir.

⚠ UYARI: Siperi takarken veya değiştirirken ya da misina kesme bıçağını bilerken veya değiştirirken daima eldiven giyin. Bıçağın siper üzerindeki konumuna dikkat edin ve ellerinizi yaralanmalara karşı koruyun.

Biçme başlığında tıkanma olup olmadığını kontrol edin

- Tıkanmayı önlemek için biçme başlığını temiz tutun. Her kullanımdan önce ve sonra çim kırıntılarını, yaprakları, kiri ve birikmiş diğer kalıntıları temizleyin.
- Tıkanma meydana geldiğinde ot biçme makinesini durdurun ve aküyü çıkarın, ardından motor miline veya biçme başlığına dolanmış olabilecek çimleri temizleyin.

Her kullanımdan sonra biçme makinesini temizleyin.

KESME MİSİNASI UZUNLUĞUNU AYARLAMA

Line-IQ beslemeli biçme başlığı ileri teknoloji ile donatılmıştır.

Biçme işlemi sırasında misinanın uçlarından biri 18 cm'den daha az olursa biçme başlığı kesme misinasını otomatik olarak bırakır ve misinanın fazla kısmı misina kesme bıçağı ile kesilir (Şek. K).

DİKKAT: Kesme misinasını bırakmak için biçme başlığına vurmanıza gerek yoktur. Çimleri biçerken biçme başlığında hafif bir titreme hissederseniz bunun nedeni otomatik olarak bırakılan kesme misinasıdır.

⚠ UYARI: Misina kesme bıçağı tertibatını çıkarmayın veya değiştirmeyin. Misina uzunluğunun çok fazla olması motorun aşırı ısınmasına neden olur ve ciddi yaralanmalara yol açabilir.

MİSINANIN DEĞİŞTİRİLMESİ

DİKKAT: Her zaman 2,4 mm çapında önerilen naylon kesme misinası kullanın.

Belirtilenin dışında misina kullanılması aletin aşırı ısınmasına veya hasar görmesine neden olabilir.

⚠ UYARI: Asla metal takviyeli misina, tel, ip vb. malzeme kullanmayın. Bunlar koparak tehlikeli biçimde fırlatılabilir.

Misinalı çim biçme makinesi gelişmiş bir POWERLOAD™ sistemi ile donatılmıştır. Kesme misinası, tek bir düğmeye basılarak makaraya sarılabilir. Dolu bir makaranın yüklenmesi genellikle 12 saniyede tamamlanabilir. **Motorun hasar görme olasılığını azaltmak için sarma sisteminin hızlı bir şekilde art arda çalıştırılmasından kaçının.**

1. Bataryayı çıkarın.
2. 4 m uzunluğunda bir parça kesme misinası kesin.
3. Misinayı delik halkaya yerleştirin ve misinanın ucu karşıdaki delik halkadan çıkana kadar misinayı itin (Bkz. Şek. L1).

L1-1	Kesme misinası	L1-2	Delik Halka
------	----------------	------	-------------

DİKKAT: Kesme misinasını yerleştirmek için halkaları hizalamak gerekli değildir. Misina delik halkaya yerleştirilemiyorsa bataryayı biçme makinesine takın, ardından sarma mekanizmasını sıfırlamak için POWERLOAD düğmesine kısaca basın.

4. 3. adımda biçme makinesine monte edilmişse bataryayı çıkarın.
5. Biçme başlığının her iki tarafında eşit uzunluktaki misina görünene kadar misinayı diğer taraftan çekin (Şek. L2).
6. Bataryayı misinalı çim biçme makinesine takın.
7. Misina sarma motorunu çalıştırmak için POWERLOAD düğmesini basılı tutun. Misina, aralıksız olarak kesme başlığına sarılır.
8. Kalan misina uzunluğunu dikkatlice izleyin. Her iki tarafta yaklaşık 22 cm'lik misina kaldığı anda düğmeyi bırakmaya hazırlanın. Her iki tarafta 18 cm'lik misina görünene kadar uzunluğu ayarlamak için misina yüklem düğmesine kısaca basın (Şek L3).

DİKKAT: Misina yanlışlıkla biçme başlığına çekilirse başlığı açın ve kesme misinasını makaradan dışarı çekin.

Misinayı yeniden yüklemek için bu kılavuzdaki **"KESME MİSİNASINI YENİDEN YÜKLEME"** bölümünü takip edin.

KESME MİSİNASINI YENİDEN YÜKLEME

DİKKAT: Kesme misinası biçme başlığına sıkıştığında kalan kesme misinasını biçme başlığından çıkarmanız

ve misinayı yeniden yüklemek için aşağıdaki adımları izlemeniz gerekir.

1. Bataryayı çıkarın.
2. Biçme başlığındaki açma tırnaklarına bastırın ve biçme başlığının alt kapak aksamını çekerek çıkarın (Şek. M1 ve M2).

M1-1	Açma tırnağı	M1-2	Alt kapak aksamı
------	--------------	------	------------------

3. Kesme misinasını biçme başlığından çıkarın.
4. Bir elle çim biçme makinesini tutarken diğer elle alt kapak aksamını kavrayın ve alt kapak aksamındaki yuvalarla açma tırnaklarını hizalayın. Alt kapak aksamına yerine oturana kadar bastırın, bu sırada belirgin bir tıklama sesi duyacaksınız (Şek. M3).

M3-1	Açma tırnağı	M3-2	Yuva
------	--------------	------	------

5. **"MİSİNANIN DEĞİŞTİRİLMESİ"** bölümündeki talimatları izleyerek misinayı tekrar takın.

BIÇME BAŞLIĞININ DEĞİŞTİRİLMESİ

⚠ UYARI: Başlık yerine takıldıktan sonra gevşiyorsa derhal değiştirin. Bir çim biçme makinesini asla gevşek bir kesme aparatıyla kullanmayın. Hasar yüzeysel çatlaklarla sınırlı olsa dahi, çatlamış, hasarlı veya aşınmış bir kesim başlığını derhal değiştirin. Bu tür parçalar yüksek hızda parçalanabilir ve ciddi yaralanmalara neden olabilir.

Biçme başlığını tanyın (Şek. N1)

N1-1	Alt kapak	N1-2	Somun
N1-3	Makara aksamı	N1-4	Burç

Biçme başlığını çıkarmak için

1. Bataryayı çıkarın.
2. Biçme başlığının üzerindeki açma tırnaklarına bastırın ve biçme başlığının alt kapağını çekerek çıkarın (bkz. Şek. M1 ve M2).
3. Kesme misinasını biçme başlığından çıkarın (Şek. N2).
4. Eldiven takın. Makara aksamını sabitlemek için bir elinizi kullanırken diğer elinizle bir darbeli anahtar kullanarak (ürüne dahil değildir) somunu saat yönünün tersine gevşetin (Şek. N3).

N3-1	Somun	N3-2	Darbeli anahtar (ürüne dahil değildir)
------	-------	------	--

TR

5. Makara aksamını ve burcu motor milinden çıkarın. Burcu daha sonra takmak üzere saklayın.
6. Yeni bir biçme başlığıyla değiştirin ve aşağıdaki adımları takip ederek takın.

Yeni biçme başlığını takmak için

1. Burcu motor miline monte edin ve makara tertibatını yerine monte edin. Somunu sıkamak için bir darbeli anahtar kullanın.
2. Alt kapak tertibatını monte edin (bkz. Şek. M3).
3. Kesme misinasını yeniden yükleyin.
4. Misinalı çim biçme makinesinin normal çalışıp çalışmadığını görmek için aleti başlatın.

BAKIM

⚠ UYARI: Bakım yaparken sadece orijinal yedek parçaları kullanın. Diğer parçaların kullanılması tehlike oluşturabilir veya ürünün hasar görmesine neden olabilir. Emniyet ve güvenilirliği sağlamak için tüm tamir işleri yetkili bir servis teknisyeni tarafından yapılmalıdır.

⚠ UYARI: Ciddi yaralanmaları önlemek için servis, temizlik veya üniteden malzeme çıkarmadan önce bataryayı aletten çıkarın.

⚠ DİKKAT: Hava deliklerindeki tıkanıklıklar motor gövdesindeki hava akımını engelleyerek aşırı ısınmaya ve motor hasarına neden olabilir.

CİHAZIN TEMİZLENMESİ

- Cihazı nemli bir bez ve yumuşak deterjanla temizleyin. Asla cihaza su girmesine izin vermeyin; aletin herhangi bir parçasını sıvıya daldırmayın.
- Plastik gövde veya tutma sapı üzerinde güçlü deterjanlar kullanmayın. Çam ve limon gibi belirli aromatik yağlar ve kerosen gibi çözücü maddeler bu yüzeylere zarar verebilir. Ayrıca nem elektrik çarpması tehlikesi oluşturabilir. Yumuşak ve kuru bir bezle nemli yerleri silin.
- Arka gövdedeki hava deliklerini temizlemek için küçük bir fırça veya elektrikli süpürgeci hava çıkışını kullanın.
- Hava deliklerini tıkanmalara karşı temiz tutun.

MİSİNA KESME BİÇAĞINI BİLEME

⚠ UYARI: Misina kesme bıçağı üzerinde herhangi bir bakım işlemi gerçekleştirirken daima dayanıklı eldivenler takarak ellerinizi koruyun.

1. İki vidayı gevşetin ve misina kesme bıçağını siperden çıkarın (Şek. O).

O-1	Vidalar	O-2	Misina kesme bıçağı
-----	---------	-----	---------------------

2. Bıçağı bir mengene ile sabitleyin.
3. Orijinal kesici kenar açısını koruyarak, bıçağın kesici kenarlarını ince diş bileyici veya bileme taşıyla dikkatlice bileyin.
4. Bıçağı siperde takın ve iki vidayla yerine sabitleyin.

CİHAZIN DEPOLANMASI

- Bataryayı biçme makinesinden çıkarın.
- Aleti saklamadan önce tamamen temizleyin.
- Cihazı çocukların ulaşamayacağı kuru, iyi havalandırılmış, kilitli veya yüksek bir yerde depolayın. Cihazı gübre, benzin veya diğer kimyasal maddelerin yakınında depolamayın.

Çevre koruması



Elektrikli cihazları, kullanılmış bataryayı ve şarj cihazını evsel atıklarla bertaraf etmeyin! Bu ürünü yetkili bir geri dönüşüm merkezine götürün ve ayrı bir şekilde toplanmasını sağlayın. Elektrikli aletler çevreyle uyumlu bir geri dönüşüm tesisine götürülmelidir.

SORUN GİDERME

SORUN	NEDENİ	ÇÖZÜM
Misinalı çim biçme makinesi başlatılmıyor.	<ul style="list-style-type: none"> ■ Batarya, çim biçme makinesine takılı değildir. ■ Çim biçme makinesi ile batarya arasında elektrik bağlantısı yoktur. ■ Batarya boşalmıştır. ■ Değişken hız tetiğine basmadan önce kilitleme düğmesi ileri hareket ettirilmemiştir. ■ Motor mili veya biçme başlığı çimler nedeniyle tutukluk yapmıştır. 	<ul style="list-style-type: none"> ■ Bataryayı biçme makinesine takın. ■ Bataryayı çıkarın, temas noktalarını kontrol edin ve bataryayı yeniden takın. ■ Bataryayı şarj edin. ■ Kilitleme dilini ileri doğru itin ve ardından değişken hız tetiğine basın. ■ Çimleri motor milinden ve biçme başlığından çıkarın.
Misinalı çim biçme makinesi kesim yaparken duruyor.	<ul style="list-style-type: none"> ■ Siper, biçme makinesine takılmamıştır ve bu nedenle kesme misinası çok uzun olmuştur motor fazla yüklenmiştir. ■ Ağır kesim misinası kullanılmıştır. ■ Batarya veya misinalı çim biçme makinesi çok sıcaktır. ■ Batarya ile aletin bağlantısı kesilmiştir. ■ Batarya boşalmıştır. 	<ul style="list-style-type: none"> ■ Bataryayı çıkarın ve siperi çim biçme makinesine monte edin. ■ 2,4 mm çapında önerilen naylon kesme misinası kullanın. ■ Bataryayı veya misinalı çim biçme makinesini soğutun. ■ Bataryayı yeniden takın. ■ Bataryayı şarj edin.
Kesme başlığı misinayı ilerletmiyor.	<ul style="list-style-type: none"> ■ Motor mili veya biçme başlığı çimler nedeniyle tutukluk yapmıştır. ■ Makarada yeterli misina yoktur veya misina delikten kopmuştur. ■ Misina dolaşmıştır. ■ Misina çok kısadır. ■ Ağır kesim misinası kullanılmıştır. ■ Biçme başlığında arıza vardır. 	<ul style="list-style-type: none"> ■ Biçme makinesini durdurun, bataryayı çıkarın ve motor mili ve biçme başlığını temizleyin. ■ Bataryayı çıkarın ve bu kılavuzdaki "MİSİNANIN DEĞİŞTİRİLMESİ" bölümünü izleyerek kesim misinasını değiştirin. ■ Bataryayı çıkarın ve bu kılavuzdaki "KESME MİSİNANI YENİDEN TAKMA" bölümünü izleyerek misinayı biçme başlığından çıkarın ve yeniden sarın. ■ Bataryayı elinizle çıkarın ve ardı ardına makine kafasına basarak ve serbest bırakarak misinaları çekin. ■ 2,4 mm çapında önerilen naylon kesme misinası kullanın. ■ Yardım için EGO Müşteri Hizmetlerini arayın.

SORUN	NEDENİ	ÇÖZÜM
Bıçme başlığı misinayı otomatik olarak bırakmaya devam ediyor.	<ul style="list-style-type: none"> Hafif kesme misinası kullanılmıştır. 	<ul style="list-style-type: none"> 2,4 mm çapında önerilen naylon kesme misinası kullanın.
Çimler, kesme başlığının etrafına ve motor gövdesine dolanıyor.	<ul style="list-style-type: none"> Uzun çimler zemin seviyesinde kesilmiştir. 	<ul style="list-style-type: none"> Uzun çimleri üstten alta doğru kesin, dolanmayı önlemek için her geçişte en fazla 20 cm kesin.
Bıçak misinayı kesmiyor.	<ul style="list-style-type: none"> Siperin kenarındaki misina kesme bıçağı körelmiştir. 	<ul style="list-style-type: none"> Talimatları izleyerek misina kesim bıçağını bir ege ile bileyin veya yeni bir bıçakla değiştirin.
Bıçme başlığında çatlaklar oluşuyor.	<ul style="list-style-type: none"> Bıçme başlığı aşınmıştır. 	<ul style="list-style-type: none"> Bataryayı çıkarın ve bu kılavuzdaki "BIÇME BAŞLIĞINI DEĞİŞTİRİLMESİ" bölümünü izleyerek kesim misinasını değiştirin.
Kesme misinası, bıçme başlığına düzgün sarılamıyor.	<ul style="list-style-type: none"> Yanlış kesim misinası kullanılmıştır. Kesme başlığında çimen artıkları veya kir birikmiştir ve misina makarasının hareketini engellemiştir. Misina sarma sisteminin tekrar tekrar çalışması nedeniyle motor aşırı ısınmıştır. Batarya kapasitesi düşüktür. Misina, makara tertibatına sarılmamıştır. Bıçme başlığı arızalıdır. 	<ul style="list-style-type: none"> EGO orijinal naylon kesme misinası kullanmanızı öneririz. EGO naylon misinayı kullandığınızda sorun yaşamaya devam ederseniz lütfen yardım almak için EGO müşteri hizmetlerini arayın. Bataryayı çıkarın, bıçme başlığını açın ve iyice temizleyin. Motorun soğuması için misinalı çim bıçme makinasını yüksüz olarak birkaç dakika çalıştırın ve ardından misinayı yeniden yükleyin. Bataryayı şarj edin Misinayı dışarı çekin ve tekrar takın. Yardım için EGO Müşteri Hizmetlerini arayın.
Kesme misinası, misina takılırken bıçme başlığından geçemiyor.	<ul style="list-style-type: none"> Kesim misinasının ucu bölünmüş veya bükülmüştür. 	<ul style="list-style-type: none"> Aşınmış misina ucunu kesin ve yeniden takın.

TR

GARANTİ

EGO GARANTİ POLİTİKASI

EGO Garanti Politikasına ilişkin tüm hükümler ve koşullar için lütfen egopowerplus.eu adresindeki web sitemizi ziyaret edin.

LUGEGE KÕIKI JUHISEID!



LUGEGE KASUTUSJUHENDIT



Ohutusteade



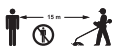
Kandke kaitseprille! Kandke selle toote kasutamise ajal alati kaitseprille või külgakaitsetega kaitseprille ja täielikku näokaitset.



Kasutage kuulmiskaitsevahendeid! Seadmega töötades kasutage alati kuulmiskaitset.



Elektriseadmete jäätmeid ei tohi visata olmejäätmete hulka. Viige volitatud taaskäitleja juurde.



Hoidke ohutut kaugust – masina ja kõrvalseisjate vaheline maa peab olema vähemalt 15 m



Širina košnje – največja širina košnje kosilnice z nitko



Enne hooldus- või puhastustoimingute alustamist eemaldage jõhvtrimmer toiteallikast (s.t eemaldage akuplokk).



Toode vastab kohaldatavatele Ühendkuningriigi õigusaktidele.

A amprit

cm Sentimeeter

≡ Alalisvool

OHUTUSSÜMBOL

Mis tahes elektriliste tööriistade kasutamine võib põhjustada võrkehade paiskumist silma, mis võib tekitada tõsiseid silmakahjustusi. Elektriliste tööriistade kasutamise ajal kandke alati kaitseprille või külgakaitsetega kaitseprille ja vajadusel täielikku näokaitset. Soovitame kanda prillide peal laia vaatealaga kaitsemaski või standardseid külgakaitsetega kaitseprille.



Vigastuste ohu vähendamiseks peab kasutaja enne toote kasutamist kasutusjuhendit lugema.

IPX4

Kaitse pritsmevee eest



Garanteeritud helivõimsuse tase.



Võrkehad võivad rikošetiga eemale paiskuda ja selle tagajärjeks võivad olla kehalised vigastused või vara kahjustumine. Jõhvtrimmeriga töötamise ajal ei tohi läheduses olla loomi ega teisi inimesi.



Ärge kasutage jõhvtrimmeril metallterasid



Premer nitke – premer najlonske nitke



Toode vastab kohaldatavatele EÜ direktiividele.

V Pinge


mm Millimeeter

kg Kilogramm

... /min Minutis

ET

SPETSIFIKATSIOONID

Pinge	56 V 	
Tühikäigu kiirus	Madal kiirusvahemik:	3500-4800 min ⁻¹
	Suur kiirusvahemik:	4000-5500 min ⁻¹
Lõikeliini mehhanism	IQ-LIINI TOIDE	
Lõikeliini tüüp	2,4 mm nailonist jõhv (keerдумusega)	
Lõikelaius	40 cm	
Soovituslik töökeskkonna temperatuur	-0°C-40°C	
Soovituslik hoiustamise temperatuur	-20°C-70°C	
Kaal (ilma akuplokita)	3,5 kg	
Möödetud helivõimsuse tase L _{WA}	90 dB(A)	K=2,5 dB(A)
Helirõhk seadme operaatore kõrva juures L _{PA}	77 dB(A)	K=3 dB(A)
Garanteeritud helivõimsuse tase L _{WA} (möödetud vastavalt 2000/14/EÜ)	92 dB(A)	
Vibratsiooni a _n mõõtmise	Eesmine käepide	3,9 m/s ² K=1,5 m/s ²
	Tagumine käepide	2,7 m/s ² K=1,5 m/s ²

- Esitatud vibratsioonitaseme näit on möödetud standardsete testmeetodite kohaselt ja seda võib kasutada erinevate tööriistade võrdlemiseks.
- Esitatud vibratsioonitaseme näitu võib kasutada ka algse kokkupuutehinnangu andmiseks.

ET

MÄRKUS! Tegelikul kasutamisel tekivad vibratsioonitase võib esitatust erineb; turvalisuse eesmärgil peaks seadme kasutaja tegelikes kasutustingimustes kandma kindaid ja kuulmiskaitseid.

KIRJELDUS

TUNNE OMA JÕHVTRIMMERIT (joonis A1)

1. Kiiruse reguleerimise päästik
2. Tagumine käepide
3. Lukustuskeel
4. 2 kiiruse lüliti

5. Kiiruse indikaator
6. Kõrguse lukustuskrae
7. Reguleeritav eesmine abikäepide
8. Kiirvabastushoob
9. Hing ja lukustuspolt
10. POWERLOAD™ nupp
11. Trimmeripea (IQ-LIINI toitega)
12. Lõikejõhv
13. Vabastussakk
14. Jõhvi lõiketera
15. Kaitsepiire
16. Välijutusmehhanism
17. Riiv
18. Akuvabastusnupp
19. Kuuskantvõti
20. Ölarihma aas
21. Ölarihm

PAKENDI LOEND (JOON. A1)

KOKKUPANEK

⚠ HOIATUS: Kui mõni osa on kahjustatud või puudub, ärge kasutage toodet enne, kui see osa on parandatud. Kasutades kahjustatud või vajalike komponentideta seadet, võite saada raskeid vigastusi.

⚠ HOIATUS: Ärge üritage seadet ümber ehitada ega kasutada lisatarvikuid, mis pole mõeldud kasutamiseks selle jõhvtrimmeriga. Kõik niisugused muudatused loetakse väärikasutuseks ja need võivad põhjustada ohtlikke olukordi, mis võivad lõppeda raskete vigastustega.

⚠ HOIATUS: Raskeid vigastusi põhjustada võiva juhusliku käivitumise vältimiseks eemaldage masina osade kokkupaneku ajaks alati akuplokk.

VARRE LAHTIVOLTIMINE (AVAMINE)

⚠ HOIATUS: Käte ja sõrmede muljumise vältimiseks ärge hoidke vart ühenduskohtadest.

⚠ HOIATUS: Ärge käivitage trimmerit enne, kui vars on lukustatud.

Voltige vars ettevaatlikult lahti ja jälgige, et juhe on varre sees, seejärel lukustage vars kahe kruvi ja kompleksis oleva mutrivõtme abil (joonis B1 ja B2).

KAITSEPIIRDE PAIGALDAMINE

⚠ HOIATUS: Piirde paigaldamise või vahetamise ajal kasutage alati kindaid. Olge piirdel oleva teraga ettevaatlik ja kaitske oma käsi vigastuste eest.

⚠ HOIATUS: Ärge kasutage masinat, mille kaitsepiire pole korrektselt paigaldatud. Kasutaja turvalisuse huvides peab kaitsepiire masinale kogu aeg kinnitatud olema. Kaitsepiirde paigaldamise järgselt ärge kunagi üritage seda eemaldada ega kohandada. Väljavahetamise vajaduse korral peab seda tegema kvalifitseeritud tehnik!

Seadke trimmer nii, et trimmeripea on ülespoole (joon. C1). Joondage kaitseparti paigaldusaugud aluse aukudega ja kinnitage kaitseparti nende kahe kruvi abil aluse külge (joonis C2).

MÄRKUS: Veenduge, et kaitsepiire on kinnitatud vastavalt joonistel C1 ja C2 antud juhistele. Juhiste eiramine tekitab väga ohtliku olukorra!

EESMISE ABIKÄEPIDEME PAIGALDAMINE JA REGULEERIMINE

1. Vabastage ja eemaldage esikäepidemelt kiirvabastushoob ja tiibmutter (joonis D1).

D1-1	Eesmine käepide	D1-2	Kinnitusplokk
D1-3	Liblikmutter	D1-4	Kiirvabastushoob

2. Lükake eesmine käepide võllile kõrguslukustuskrae ja hinge vahelises paigaldustsoonis (joonis D2).
3. Sisestage kinnitusplokk käepideme pessa (joonis D3).
4. Paigaldage kiirvabastushoob ja eelnevalt pingutage tiibmutter. Veenduge, et eesmine abikäepide on suunatud ülespoole ja tagumise käepideme ülaosa suunas (joonis D4).
5. Tõmmake kiirvabastushoob üles, et liigutada/pöörata esikäepidet mugavasse tööasendisse ja seejärel lukustada kiirvabastushoob (joonis D5).

MÄRKUS: Esikäepide tuleb asetada võllile ainult paigaldustsooni piires.

⚠ HOIATUS: Seda tööriista ei tohi kasutada, kui eesmine käepide pole kindlalt kinnitatud.

TRIMMERI KÕRGUSE REGULEERIMINE

Kui varre pikkus ei ole töötamiseks sobilik, siis saate varre pikkust reguleerida läbi kõrguse lukustuskrae.

1. Ühendage akuplokk trimmerist lahti.
2. Trimmeri kõrguse (st varre pikkuse) reguleerimiseks avage kõrguse lukustuskrae ja seejärel libistage vars

üles või alla soovitud kõrgusele, kinnitades selle paigale, vajutades kõrguse lukustuskrael (joonis E).

E-1	Kõrguse lukustuskrae
-----	----------------------

MÄRKUS: Võimalik, et pärast trimmeri kõrguse muutmist tuleb esikäepide ümber paigutada.

ÖLARIHMA KINNITAMINE

Ohutuks ja paremaks tööks pange rihm üle ühe öla ja selja.

1. Vabastage kruvinupp ja kuuskantmutter ölarihma aasast (joonis F1).

F1-1	Kruvi hoob kinni	F1-2	Kuuskantmutrid
F1-3	Kinnita rihma aas		

2. Asetage ölarihma aas paigaldustsoonis mugavasse tööasendisse ja seejärel kinnitage see kruvinuppu ja kuuskantmutrit pingutades.
3. Avamiseks vajutage ölarihma karabiinil ja kinnitage ölarihm rihma aasa avasse (joonis F2).
4. Reguleerige ölarihma pikkus ja paigutus mugavasse tööasendisse.

⚠ HOIATUS: Õnnetuse korral võtke see koheselt ära, ükskõik millises asendis rihm on.

Ühe- või kaherihmalisi rakmeid ei tohi kasutada samaaegselt.

Rihma kandmisel ei tohiks ükski muu kantav ese rihma vabastamist ja eemaldamist segada.

SEADME KASUTAMINE

⚠ HOIATUS: Kasutage alati kaitseprille või küljekaitsetega kaitseprille ja kuulmiskaitsemeid. Vastasel korral võib teile midagi silma paiskuda ja võite saada ka muud laadi raskeid vigastusi.

Muru ja umbrohu eemaldamiseks välistrepi, aia ja veranda ümbert.

Sellisee muru lõikamiseks, millele on tavalise niiduki abil keeruline ligi pääseda.

AKUPLOKI PAIGALDAMINE/EEMALDAMINE

Kasutage ainult joonisel A2 esitatud EGO akuplokke ja laadureid.

Enne esmakasutamist laadige täielikult täis.

Paigaldamine

Joondage aku sooned paigaldusavadega ja suruge

akuplokki alla, kuni kostub klõpsatus (joonis G1).

Eemaldamine

Vajutage akuvabastusnuppu ja tõmmake akuplokk välja (joonis G2).

JÕHVTRIMMERI HOIDMINE (joonis H)

Ohutu ja parema kasutamiskogemuse jaoks asetage õlarihm üle öla. Reguleerige õlarihma pikkus ja paigutus mugavasse töoasendisse – hoidke trimmerit kahe käega: üks käsi tagumisel käepidemel ja teine käsi esimesel.

MÄRKUS: Trimmeripea peaksid olema õiges lõikekauguses maapinnaga paralleelselt, ilma et seadmega töötaja peaks kummarduma.

⚠ HOIATUS: Õnnetuse korral eemaldage see koheselt, ükskõik millises asendis rihm on.

JÕHVTRIMMERI KÄIVITAMINE/PEATAMINE (joonis I)

Käivitamiseks

Liigutage lukustuskeelt ettepoole ja seejärel vajutage kiiruse reguleerimise päästikut.

Päästiku abil saab reguleerida kiirust sujuvalt (mitteastmeliselt). Mida kaugemale päästikut tõmmata, seda suuremaks kiirus läheb.

I-1	Lukustuskeel	I-2	Muutuva kiirusega päästik
-----	--------------	-----	---------------------------

Peatamiseks

Vabastage muutuva kiirusega päästik.

KIIRUSE REGULEERIMISE FUNKTSIOON (joonis J)

Jõhvtrimmeril on kaks kiiruseseadistust. Vajutage 2-käigulist lüliti, et muuta lõikekiirust madala ja kõrge vahel.

Kiiruse indikaator näitab aktiivset kiiruse olekut: üks tuli madala kiiruse jaoks ja kaks tuld suure kiiruse jaoks. Madal kiiruste vahemik tagab trimmeri parema juhtimise ja pikema tööaja laadimise kohta.

J-1	Õhuvoo kiiruse märgutuli	J-2	2 kiiruse lüliti
-----	--------------------------	-----	------------------

JÕHVTRIMMERI KASUTAMINE

Enne töö alustamist puhastage tööpiirkond võõrkehadeist. Eemaldage alalt kõik kivid, klaasikillud, naelad, juhtmed ja nõõrid, mis võivad seadme töö tõttu lendu minna või selle külge või sisse kinni jääda. Jälgige, et tööpiirkonnas poleks lapsi, kõrvalisi isikuid ega loomi. Lapsed, kõrvalised isikud ja loomad peavad olema vähemalt 15 meetri kaugusel; ka

selle tingimuse täitmise korral säilib ikkagi mõningane oht kõrvalistele isikutele paiskuvatest esemetest pihta saada. Soovitage kõrvalistel isikutel kasutada kaitseprille. Kui keegi teile läheneb, seisake mootor ja lõikeseade koheselt.

Enne iga kasutuskorda kontrollige seadme kahjustuste/kulumise suhtes.

Kontrollige trimmeripead, kaitset, õlarihma, õlarihma aasa ja eesmist käepidet. Asendage kõik osad, mis on mõranenud, kõverdunud, painutatud või mis tahes viisil kahjustatud.

Jõhvi lõiketera kaitsepiirde serval võib aja jooksul kuluda. Soovitatav on seda aeg-ajalt viiliga teritada või nürinemise korral uue vastu vahetada.

⚠ HOIATUS: Piirde paigaldamise või vahetamise ning tera teritamise või vahetamise ajal kasutage alati kindaid. Jälgige tera paiknemist ja olge ettevaatlik, et te ei vigastaks oma käsi.

Kontrollige trimmeripea ummistumist

- Ummistumise vältimiseks hoidke trimmeripea puhtana. Eemaldage rohulõiked, lehed, mustus ja muu kogunenud praht enne ja pärast iga kasutamist.
- Ummistuse korral peatage jõhvtrimmer ja eemaldage aku, seejärel eemaldage kogu muru, mis võib olla ümber mootori võlli või trimmeripea.

Puhastage trimmerit pärast iga kasutuskorda.

LÕIKEJOONE PIKKUSE REGULEERIMINE

IQ-liini tootjaga trimmeri pea on varustatud täiustatud tehnoloogiaga.

Kui lõikeliini kumbki ots kulub trimmimise ajal vähem kui 18 cm pikkuseks, vabastab trimmeripea lõikenööri automaatselt ja lõiketera lõikab lõikeliini lisaosa ära (joonis K).

MÄRKUS: Lõikeliini vabastamiseks pole vaja trimmeripead koputada. Kui tunnete muru pügamisel trimmeripea kergelt värinat, siis vabaneb automaatselt niitmislisiin.

⚠ HOIATUS: Ärge eemaldage ega kohandage jõhvi lõiketera. Liiga pikk jõhv põhjustab mootori ülekuumenemist, mis omakorda suurendab raskete vigastuste ohtu.

JÕHVI VAHETAMINE

MÄRKUS: Kasutage alati soovitatud nailonist lõikeliini läbimõõduga 2,4 mm.

Määratud liinist erineva kasutamine võib kaasa tuua trimmeri ülekuumenemise või kahjustumise.

⚠ HOIATUS: Ärge kunagi kasutage metalliga tugevdatud

jõhvi, traati või köit vms. Need võivad murduda ning õhku paiskudes ohtlikuks muutuda.

Jõhvtrimmer on varustatud täiustatud POWERLOAD™ süsteemiga. Lõikejõhvi pooli peale kerimiseks tuleb vajutada ainult ühte nuppu. Pooli täiskerimine võtab tavaliselt aega umbes 12 sekundit. **Vältige süsteemi korduvat järjestikust kasutamist, et vähendada mootori kahjustumise riski.**

1. Eemaldage akuplokk.
2. Lõigake (4 m) tükk lõikeliini.
3. Sisestage liin auku (joonis L1) ja lükake liini seni, kuni selle ots tuleb vastaspoole august välja.

L1-1	Lõikeliin	L1-2	Auguke
------	-----------	------	--------

MÄRKUS: Lõikeliini sisestamiseks ei ole vaja aasaid joondada. Kui liini ei saa aasa sisestada, paigaldage aku trimmerile ja vajutage kerimismehhanismi lähtestamiseks korra nuppu POWERLOAD.

4. Eemaldage aku, kui see on 3. sammus trimmerile kinnitatud.
5. Tõmmake liin teiselt poolt kuni mõlemal pool trimmeripead on sama palju liini (joonis L2).
6. Paigaldage akuplokk jõhvtrimmeri külge.
7. Liini kerimise mootori käivitamiseks vajutage ja hoidke all liini laadimise nuppu. Liin keritakse katkestamatult trimmeripea sisse.
8. Jälgige hoolikalt järelejäänud jõhvi pikkust. Valmistuge nupu vabastamiseks kohe, kui mõlemale poole jääb umbes 22 cm liini. Vajutage hetkeks liini laadimise nuppu, et reguleerida liini pikkus nii, et mõlemalt poolelt jääb välja 18 cm (joonis L3).

MÄRKUS: Juhul kui jõhv tõmmatakse kogemata trimmeripeasse, siis avage trimmeripea ja tõmmake lõikejõhvi poolilt maha. Liini uuesti laadimiseks järgige juhiseid käesoleva kasutusjuhendi jaotises „**LÕIKELIINI UUESTI LAADIMINE**“.

PANGE POOLILE UUS LÕIKELIIN.

MÄRKUS: Kui liin läheb katki avadest, kust see välja tuleb, või kui liin ei tule trimmeripea vastu koputades välja, siis järgige järgmisi etappe, et järelejäänud lõikeliin eemaldada ja see uuesti laadida.

1. Vabastussakk
2. Alumise katte moodul

M1-1	Vabastussakk	M1-2	Alumise katte moodul
------	--------------	------	----------------------

3. Eemaldage lõikeliin trimmeripeast.
4. Hoides ühe käega trimmerist ja haarates teise käega alumise katte moodulist, joondage alumise katte mooduli avad vabastussakkidega. Suruge alumise katte moodulit alla, kuni see kinnitub selgelt kuuldava klõpsatusega (joonis M3).

M3-1	Vabastussakk	M3-2	Pesa
------	--------------	------	------

5. Jõhvi uuesti laadimiseks järgige juhiseid jaotises „**JÕHVI VAHETAMINE**“.

TRIMMERIPEA VAHETAMINE

⚠ HOIATUS: Kui lõikepea tuleb pärast kohale fikseerimist lahti, vahetage see viivitamatult välja. Ärge kunagi kasutage lahtise lõikeseadmega trimmerit. Mõranenud, kahjustunud või kulunud lõikepea tuleb koheselt välja vahetada isegi kui kahjustuseks on vaevumärgatav mõra. Niisugused lisaseadmed võivad suurel kiirusel puruneda ja põhjustada raskeid vigastusi.

Tutvuge trimmeripea ülesehitusega (joonis N1).

N1-1	Alumine kate	N1-2	Mutter
N1-3	Pooli moodul	N1-4	Tihend

Eemaldage trimmeripea

1. Eemaldage akuplokk.
2. Vajutage trimmeripea vabastussakkidele ja eemaldage trimmeripea alumise katte moodul, tõmmates see otse välja (joonis M1 ja M2).
3. Eemaldage lõikeliin trimmeripeast (joonis N2).
4. Kandke kindaid. Haarake ühe käega pooli moodulist, et seda stabiliseerida ning hoidke teise käega löökvõtit (ei kuulu komplekti) ning keerake mutter selle abil vastupäeva lahti (joonis N3).

N3-1	Mutter	N3-2	Löökmutterivõti (ei kuulu komplekti)
------	--------	------	--------------------------------------

5. Eemaldage mutter, seib, pooli moodul ja ülemine kate mootorivõlli küljest. Hoidke seib hilisemaks kokkupanekuks alles.
6. Vahetage trimmeripea uue vastu välja ja paigaldage see järgnevalt.

ET

Paigaldage uus trimmeripea

1. Paigaldage tihendid mootorivõlli ja pange ülemise aluse kate moodul paika. Kasutage mutri pingutamiseks löökvõtit.
2. Paigaldage alumine kate (vt joonis M3).
3. Pange poolile uus lõikejõhv.
4. Käivitage tööriist, et näha, kas jõhvtrimmer töötab normaalselt. Kui töötab, siis pange see kokku nii, nagu on kirjeldatud järgnevalt.

HOOLDUS

⚠ HOIATUS: Remontimisel kasutage vaid originaalvaruosi. Mis tahes muude osade kasutamine võib põhjustada ohtlikke olukordi või seadet vigastada. Turvalisuse ja vastupidavuse tagamiseks peab kõiki parandustöid läbi viima kvalifitseeritud hooldustehnik.

⚠ HOIATUS: Raskete vigastuste vältimiseks eemaldage alati akuplokk enne kui asute seadet remontima, puhastama või kinni jäänud materjali eemaldama.

⚠ ETTEVAATUST! Õhutusava ees olevad objektid takistavad õhu pääsemist mootori korpusesse ning selle tulemusena võib mootor üle kuumeneda või kahjustusi saada.

SEADME PUHASTAMINE

- Seadme puhastamiseks kasutage leebetoimelise puhastusvahendiga immutatud niisket lappi. Ärge kunagi laske vedelikul tööriista sisse sattuda ja ärge kunagi pange tööriista vedeliku sisse.
- Ärge kasutage plastmasskomponentide või käepideme puhastamiseks tugevatoimelisi puhastusaineid. Seadme osi võivad kahjustada teatud aroomaatsed õlid (nt männi- või sidruniõli) ja teatud ained (nt petrooleum). Niiskus võib tekitada elektrilöögiohu. Eemaldage niiskus pehme kuiva lapiga.
- Tagumise korpuse õhutusavade puhastamiseks kasutage väikest harja või tolmuimeja väikese harja õhuväljutusava.
- Ärge blokeerige ventilatsiooniavasid.

LÕIKETERA TERITAMINE

⚠ HOIATUS: Käte kaitsmiseks kandke jõhvi lõiketera hooldamisel alati tugevast materjalist kindaid.

1. Keerake lahti kaks kruvi ja eemaldage lõikelini tera kaitse küljest (joonis O).

O-1	Kruvid	O-2	Lõikelini tera
-----	--------	-----	----------------

2. Kinnitage tera kruustangide vahele.
3. Viilige tera lõikeservi hoolikalt peenehambalise viili või luisuga, säilitades lõikeservade algse lõikenurga.
4. Paigaldage tera piirdele tagasi ja kinnitage see kahe kruvi abil.

SEADME HOIUSTAMINE

- Ühendage akuplokk trimmerist lahti.
- Enne tööriista hoiustamist puhastage see hoolikalt.
- Hoidke tööriista kuivas, hästi ventileeritavas, lukustatud kohas ja kõrgel, lastele ligipääsmatus kohas. Ärge hoiustage seadet väetiste, bensiini või muude kemikaalide peal või lähedal.

Keskkonnakaitse



Ärge visake elektriseadmeid, kasutatud akut ega laadurit olmeprügi hulka! Viige toode volitatud taaskäitleja juurde ja võimaldage selle komponendid sorteerituna kõrvaldada. Elektritööriistad tuleb viia keskkonnakaitseasutuste juurde järgivasse jäätmekäitluskeskusesse.

TÕRKEOTSING

PROBLEEM	PÕHJUS	LAHENDUS
Jõhvtrimmer ei käivitu.	<ul style="list-style-type: none"> ■ Akuplokk pole trimmeriga ühendatud. ■ Trimmeri ja aku vahel puudub elektriline ühendus. ■ Akuplokk on tühi. ■ Lukustuslülitit ei liigutata enne muutuva kiirusega päästiku vajutamist ettepoole. ■ Rohi on ummistanud mootori võlli või trimmeri pea. 	<ul style="list-style-type: none"> ■ Kinnitage akuplokk trimmeri külge. ■ Eemaldage aku, kontrollige ühendusi ja pange akuplokk tagasi. ■ Laadige akuplokki. ■ Liigutage lukustuskeelt ettepoole ja seejärel vajutage kiiruse reguleerimise päästikut. ■ Seisake trimmer, ühendage lahti aku ja eemaldage mootori võlli ja trimmeripea ümber kogunenud rohi.
Jõhvtrimmer seiskub niitmise ajal.	<ul style="list-style-type: none"> ■ Kaitsepiire pole trimmeri külge kinnitatud, mistõttu on jõhv liiga pikaks läinud ja mootor üle koormatud. ■ Kasutatakse rasket jõhvi. ■ Akuplokk või jõhvtrimmer on liiga kuum. ■ Akuplokk on tööriista küljest eemaldatud. ■ Akuplokk on tühi. 	<ul style="list-style-type: none"> ■ Eemaldage akuplokk ja kinnitage piire trimmeri külge. ■ Kasutage soovitatud nailonist lõikeliini läbimõõduga 2,4 mm. ■ Jahutage akut või jõhvtrimmerit. ■ Paigaldage akuplokk tagasi. ■ Laadige akuplokki.
Trimmeri pea ei anna lisajõhvi välja.	<ul style="list-style-type: none"> ■ Rohi on ummistanud mootori võlli või trimmeri pea. ■ Pooli ümber pole piisavalt jõhvi või jõhv puruneb augukese lähedalt. ■ Jõhv on sõlme läinud. ■ Jõhv on liiga lühike. ■ Kasutatakse rasket jõhvi. ■ Trimmeripea rike. 	<ul style="list-style-type: none"> ■ Seisake trimmer, ühendage aku lahti ja puhastage mootori võlli ja trimmeri pead. ■ Eemaldage aku ja vahetage liin, järgides käesoleva juhendi jaotises „LIINI VAHETAMINE” antud juhiseid. ■ Eemaldage aku ning kerige liin trimmeripealt maha ja tagasi, järgides juhiseid käesoleva juhendi jaotises „LÕIKELIINI UUESTI LAADIMINE”. ■ Eemaldage aku ja tõmmake jõhve käsitsi ning vajutage samaaegselt mitu korda trimmeri pea peale. ■ Kasutage soovitatud nailonist lõikeliini läbimõõduga 2,4 mm. ■ Helistage abi saamiseks EGO klienditeenindusse.
Trimmeripea jätkab liini automaatset vabastamist.	<ul style="list-style-type: none"> ■ Kasutatakse kerget lõikeliini. 	<ul style="list-style-type: none"> ■ Kasutage soovitatud nailonist lõikeliini läbimõõduga 2,4 mm.

ET

PROBLEEM	PÕHJUS	LAHENDUS
Rohi on keerdunud ümber trimmeri pea ja mootori korpuse.	<ul style="list-style-type: none"> ■ Kõrget rohtu lõigatakse maapinna lähedalt. 	<ul style="list-style-type: none"> ■ Alustage kõrge muru lõikamist ülevalt ja keerdumise vältimiseks eemaldage korraka kuni 20 cm.
Tera ei lõika jõhvi.	<ul style="list-style-type: none"> ■ Piirde jõhvi lõikav äär on kulunud. 	<ul style="list-style-type: none"> ■ Jõhvi lõikava ääre teritamiseks või selle uue vastu vahetamiseks järgige juhiseid.
eemaldage trimmeripea	<ul style="list-style-type: none"> ■ Trimmeripea on kulunud. 	<ul style="list-style-type: none"> ■ Vahetage trimmeripea kohe välja, järgides käesoleva juhendi jaotises „TRIMMERIPEA VAHETAMINE” antud juhiseid.
Lõikejõhvi ei saa katkestamatult trimmeripea sisse kerida.	<ul style="list-style-type: none"> ■ Kasutatakse vale lõikejõhvi. ■ Trimmeripeasse on kogunenud murujääke ja prahti ning see blokeerib jõhvi pooli liikumist. ■ Jõhvi kerimise süsteemi korduva kasutamise tõttu on mootor üle kuumenenud. ■ Aku täituvus on madal. ■ Liin ei ole poolisõlme sisse keritud. ■ Trimmeri pea on defektne. 	<ul style="list-style-type: none"> ■ Soovitame kasutada EGO originaalset nailonist lõikeliiini. Kui kasutate EGO nailonjõhvi ja probleem püsib, võtke nõuannete saamiseks ühendust EGO klienditeenindusega. ■ Eemaldage aku, avage trimmeripea ja puhastage seda põhjalikult. ■ Laske jõhvtrimmeril mootori jahutamise eesmärgil mõne minuti jooksul tühikäigul töötada ning seejärel proovige liin uuesti laadida. ■ Laadige akut ■ Tõmmake liin välja ja sisestage see uuesti. ■ Helistage abi saamiseks EGO klienditeenindusse.
Lõikejõhvi ei saa jõhvi pealepanekul trimmeripeast läbi suunata.	<ul style="list-style-type: none"> ■ Lõikejõhv on purunenud või selle ots on paindunud. 	<ul style="list-style-type: none"> ■ Lõigake jõhvi kulunud ots ära ja paigaldage jõhv uuesti.

ET

GARANTII

EGO GARANTIIPÕHIMÕTTED

Täielikud EGO garantiitingimused leiata veebilehelt egopowerplus.eu.

ПРОЧИТАЙТЕ ВСІ ІНСТРУКЦІЇ!



ПРОЧИТАЙТЕ ПОСІБНИК З ЕКСПЛУАТАЦІЇ



Попередження щодо безпеки



Носіть засоби захисту очей – працюючи з цим виробом, завжди носіть закриті захисні окуляри чи відкриті захисні окуляри з бічними щитками або повнопрофільну захисну маску.



Носіть засоби захисту органів слуху – під час роботи з цим виробом завжди використовуйте засоби захисту органів слуху.



Відходи електричних виробів не слід викидати разом із побутовим сміттям. Зверніться до авторизованого пункту переробки.



Дотримуйтеся безпечної дистанції — відстань між інструментом і оточуючими має бути не менше ніж 15 м



Ширина різання – макс. ширина різання лісового тримера



Від'єднуйте акумулятор від лісового тримера перед виконанням робіт із технічного обслуговування або очищення.



Цей виріб відповідає чинному законодавству Великобританії.

A Амperi

см Сантиметри

— Постійний струм

СИМВОЛ БЕЗПЕКИ

Використання будь-яких електроінструментів може призвести до потрапляння сторонніх предметів в очі, що може спричинити серйозне пошкодження очей. Перед початком експлуатації електроінструмента завжди надягайте закриті захисні окуляри або відкриті захисні окуляри з бічними щитками та, якщо потрібно, повнопрофільну захисну маску. Ми рекомендуємо захисну маску широкого розміру для використання поверх окулярів або стандартні відкриті захисні окуляри з бічними щитками.



З метою зменшення ризику отримання травм користувач повинен прочитати посібник з експлуатації.

IPX4

Захист від бризок води



Гарантований рівень звукової потужності.



Остерігайтеся відкинутих предметів – відкинуті предмети можуть відрикошетитися і призвести до травм або пошкоджень майна. Переконайтеся, що інші люди та домашні тварини залишаються на відстані від лісового тримера, коли він використовується.



Не використовуйте металеві леза з лісовим тримером.



Діаметр ліски – діаметр нейлонової ріжучої ліски



Цей виріб відповідає чинним директивам ЄС.

V Напруга

мм Міліметр

кг Кілограми

.../хв На хвилину

UK

ТЕХНІЧНІ ХАРАКТЕРИСТИКИ

Напруга	56 В $\overline{\text{---}}$	
Швидкість холостого ходу	Діапазон низьких швидкостей: 3500–4800 хв ⁻¹	
	Діапазон високих швидкостей: 4000–5500 хв ⁻¹	
Механізм ріжучої ліски	ПОДАЧА LINE-IQ	
Тип ріжучої ліски	2,4-міліметрова нейлонова вита ліска	
Ширина різання	40 см	
Діапазон рекомендованих робочих температур	0°C ... +40°C	
Діапазон рекомендованих температур зберігання	-20°C ... +70°C	
Вага (без акумулятора)	3,5 кг	
Вимірний рівень звукової потужності L _{WA}	90 дБ(А) K=2,5 дБ(А)	
Рівень звукового тиску на місці вуха оператора L _{PA}	77 дБ(А) K=3 дБ(А)	
Гарантований рівень звукової потужності L _{WA} (відповідно до стандарту 2000/14/ЕС)	92 дБ(А)	
Оцінка вібрації a _h	Передня ручка	3,9 м/с ² K=1,5 м/с ²
	Задня ручка	2,7 м/с ² K=1,5 м/с ²

- Вказане загальне значення вібрації виміряне за стандартним методом тестування і може використовуватися для порівняння одного інструмента з іншим;
- Заявлене сумарне значення вібрації може також використовуватись для попередньої оцінки впливу.

UK

ПРИМІТКА. Емісія вібрації під час фактичного використання електроінструмента може відрізнитися від заявленої величини, у якій використовується інструмент. Щоб захистити оператора, користувач повинен одягати рукавички та захисні навушники в реальних умовах використання.

ОПИС

ОЗНАЙОМЛЕННЯ З ЛІСКОВИМ ТРИМЕРОМ (рис. А1)

1. Пусковий перемикач зі змінною швидкістю
2. Задня ручка
3. Запірний язичок
4. 2-швидкісний перемикач
5. Індикатор швидкості
6. Комір із фіксацією висоти
7. Передня ручка для швидкого регулювання
8. Важіль швидкого звільнення
9. Шарнір і запірний болт
10. Кнопка POWERLOAD™
11. Головка тримера (з подачею LINE-IQ)
12. Ріжуча ліска
13. Фіксатор
14. Лісковий ніж
15. Щиток
16. Механізм викидання
17. Засувка
18. Кнопка звільнення батареї
19. Шестигранний ключ
20. Петля для плечового ремня
21. Плечовий ремінь

ПАКУВАЛЬНИЙ СПИСОК (РИС. А1)

ЗБИРАННЯ

⚠ ПОПЕРЕДЖЕННЯ. Якщо якісь частини пошкоджені або відсутні, не користуйтеся цим інструментом, доки вони не будуть замінені. Використання цього виробу з пошкодженими або відсутніми деталями може призвести до серйозних травм.

⚠ ПОПЕРЕДЖЕННЯ. Не намагайтеся вдосконалити цей лісковий тример або застосувати приладдя, не рекомендоване для нього. Кожна така заміна чи переробка є фактом неправильного користування, створює небезпечні умови й загрожує серйозними травмами.

⚠ ПОПЕРЕДЖЕННЯ. Щоб запобігти випадковому

запуску, що може спричинити серйозні травми, завжди виймайте акумуляторну батарею з інструмента під час монтажу деталей.

РОЗКЛАДАННЯ ВАЛА

⚠ ПОПЕРЕДЖЕННЯ. Для того щоб не затиснути руки або пальці, не тримайте вал за з'єднання.

⚠ ПОПЕРЕДЖЕННЯ. Не намагайтеся запустити тример, доки вал НЕ буде заблоковано.

Обережно розгорніть вал, переконавшись, що кабель перебуває всередині вала, і зафіксуйте його болтом за допомогою доданого гайкового ключа (рис. B1 і B2).

УСТАНОВЛЕННЯ ЩИТКА

⚠ ПОПЕРЕДЖЕННЯ. Під час установлення або заміни щитка завжди слід носити рукавички. Будьте обережні та оберегайте руки від травмування лезом на щитку.

⚠ ПОПЕРЕДЖЕННЯ. Ніколи не використовуйте інструмент, якщо щиток міцно не закріплено. Щиток завжди має бути на інструменті для захисту користувача! Коли щиток зафіксовано, ніколи не намагайтеся зняти або відрегулювати щиток. Якщо потрібно замінити його, це має виконувати кваліфікований технічний персонал!

Розмістіть тример так, щоб головка тримера була звернена вгору (рис. C1). Вирівняйте кріпильні отвори щитка з отворами для збірки, а потім зафіксуйте щиток на основі вала за допомогою двох гвинтів (рис. C2).

ПРИМІТКА. Переконайтесь, що захисний щиток закріплений відповідно до рисунків C1 і C2, і будь-яке зворотнє кріплення може призвести до великої небезпеки!

УСТАНОВЛЕННЯ ТА РЕГУЛЮВАННЯ ПЕРЕДНЬОЇ РУЧКИ

1. Послабте та зніміть важіль ексцентрика та гайку з передньої ручки (рис. D1).

D1-1	Передня ручка	D1-2	Затискний блок
D1-3	Гайка-баранець	D1-4	Важіль ексцентрика

2. Надіньте передню рукоятку на вал у межах зони кріплення між комір із фіксацією висоти та шарніром (рис. D2).
3. Вставте затискний блок у гніздо для ручки (рис. D3).
4. Встановіть важіль ексцентрика та злегка закрутіть гайку-баранець. Переконайтесь, що передня ручка

направлена на верхню частину задньої ручки (рис. D4).

5. Потягніть важіль ексцентрика вгору, щоб перемістити/повернути передню рукоятку у зручне робоче положення, а потім зафіксуйте важіль ексцентрика (рис. D5).

ПРИМІТКА. Передня рукоятка має розташовуватись на валу тільки в межах зони кріплення.

⚠ ПОПЕРЕДЖЕННЯ. Інструмент не можна використовувати без надійної фіксації передньої ручки.

РЕГУЛЮВАННЯ ВИСОТИ ТРИМЕРА

Якщо довжина вала не підходить для роботи, ви можете відрегулювати довжину вала за допомогою стопорного кільця для фіксації висоти.

1. Вийміть акумуляторну батарею з тримера.
2. Щоб відрегулювати висоту тримера (тобто довжину стрижня), відкрийте стопорне кільце висоти, а потім посуňte стрижень вгору або вниз на потрібну висоту, зафіксувавши його на місці натисканням на стопорне кільце висоти (рис. E).

E-1	Комір із фіксацією висоти
-----	---------------------------

ПРИМІТКА. Передню ручку, можливо, потрібно буде повторно відрегулювати після зміни висоти тримера.

КРІПЛЕННЯ ПЛЕЧОВОГО РЕМЕНЯ

Для безпечної та ефективнішої роботи надягніть ремінь на одне плече та на спину.

1. Послабте гвинт і шестигранну гайку петлі плечового ремня (рис. F1).

F1-1	Гвинтова ручка	F1-2	Шестигранна гайка
F1-3	Петля плечового ремня		

2. Помістіть петлю плечового ремня в зручне робоче положення в межах зони кріплення, а потім закріпіть її, затягнувши гвинтову ручку та шестигранну гайку.
3. Натисніть на карабін плечового ремня, щоб відкрити його, і закріпіть плечовий ремінь в отворі на петлі для ремня (рис. F2).
4. Відрегулюйте довжину плечового ремня та його розміщення в зручному робочому положенні.

⚠ ПОПЕРЕДЖЕННЯ. Коли трапляється надзвичайна ситуація, негайно зніміть його з плеча, незалежно від того, у який спосіб одягнуто ремінь.

Не слід одночасно використовувати одинарний і подвійний плечовий ремінь.

Під час носіння ремінця жодні інші пристрої, що носяться, не мають заважати звільненню та зняттю ременя.

ЕКСПЛУАТАЦІЯ

⚠ ПОПЕРЕДЖЕННЯ. Завжди носіть закриті або відкриті захисні окуляри з бічними щитками разом із захисними навушниками. Без окулярів ви ризикуєте травмами очей від викинутих предметів та іншими серйозними травмами.

Обрізання трави та бур'янів навколо веранд, огорож і дерев'яних настилів.

Стрижка: використовується для зрізання трави, яку важко дістати за допомогою звичайної косарки.

УСТАНОВЛЕННЯ І ВИДАЛЕННЯ АКУМУЛЯТОРА

Використовуйте лише акумулятори та зарядні пристрої EGO, перелічені на рис. A2.

Повністю зарядіть перед першим використанням.

Установлення

Вирівняйте виступи на акумуляторі з кріпильними отворами та натисніть на акумуляторну батарею, доки не почуєте «кляцання» (рис. G1).

Видалення

Натисніть кнопку звільнення акумулятора та витягніть акумуляторну батарею (рис. G2).

ТРИМАННЯ ТРИМАТИ ЛІСКОВИЙ ТРИМЕР (рис. H)

Для безпечної та кращої роботи надягайте ремінець через плече. Відрегулюйте довжину та розміщення плечового ременя так, щоб було зручно працювати – тримайте тример обома руками: однією рукою за задню рукоятку, а іншою рукою за передню рукоятку.

ПРИМІТКА. Головка тримера має бути паралельною землі на достатній відстані для різання, оператор не повинен нагинатися.

⚠ ПОПЕРЕДЖЕННЯ. Коли трапляється надзвичайна ситуація, негайно зніміть плечовий ремінь із плеча, незалежно від того, у який спосіб одягнуто ремінь.

ЗАПУСК/ЗУПИНКА ЛІСКОВОГО ТРИМЕРА (рис. I)

Запуск

210

ЛІСКОВИЙ ТРИМЕР ІЗ ЖИВЛЕННЯМ ВІД 56-ВОЛЬТНОГО ЛІТІЙОНИННОГО АКУМУЛЯТОРА — ST1610E-T

Перемістіть запірний язичок вперед, потім натисніть пусковий перемикач зі змінною швидкістю.

Цей важіль слугує для плавного регулювання швидкості. Що більше ви піднімаєте важіль, то вище швидкість.

I-1	Запірний язичок	I-2	Пусковий перемикач зі змінною швидкістю
-----	-----------------	-----	---

Зупинка

Відпустіть пусковий перемикач зі змінною швидкістю.

ФУНКЦІЯ РЕГУЛЮВАННЯ ШВИДКОСТІ (рис. J)

Лісковий тример має два налаштування швидкості. Натисніть двошвидкісний перемикач, щоб змінити швидкість стрижки між низькою та високою.

Індикатор швидкості відобразить активний статус швидкості: один індикатор для низької швидкості та два індикатори для високої швидкості. Низький діапазон швидкостей забезпечує кращий контроль над тримером і триваліший час роботи без підзаряджання.

J-1	Індикатор швидкості	J-2	2-швидкісний перемикач
-----	---------------------	-----	------------------------

ВИКОРИСТАННЯ ЛІСКОВОГО ТРИМЕРА

Очищуйте ділянку підрізання перед кожним використанням. Видаліть усі предмети, такі як камені, бите скло, цвяхи, дроти або ліску, які можуть бути відкинуті або затягнуті в ріжуче обладнання. Приберіть із робочої області дітей, сторонніх і домашніх тварин. Принаймні тримайте всіх дітей, сторонніх спостерігачів і домашніх тварин на відстані не менше 15 м; проте для сторонніх спостерігачів усе одно може бути ризик від відкинутих предметів. Стороннім спостерігачам слід рекомендувати носити засоби захисту очей. Перед наближенням зупиніть мотор і ріжучий пристрій негайно.

Перед кожним використанням перевірте наявність пошкоджених/зношених деталей

Перевірте головку тримера, захисний кожух, плечовий ремінь, петлю плечового ременя та передню рукоятку. Замініть усі деталі, які тріснули, деформувалися, погнулися або пошкоджені.

Ріжучий лісковий ніж на краю щитка може затупитися з часом. Рекомендується періодично заточувати його за допомогою напилка або замінити його на нове лезо.

⚠ ПОПЕРЕДЖЕННЯ. Завжди слід носити рукавички під час кріплення або заміни щитка або заточування

чи заміни леза для обрізання ліски. Зверніть увагу на розташування леза на щитку та захист ваших рук від травм.

Перевірте, чи насадку-тример не заблоковано.

- Щоб запобігти засмічення, тримайте насадку-тример у чистоті. Видаляйте обрізки трави, листя, бруд і будь-яке інше сміття, що скупчилося, до і після кожного використання.
- Якщо сталося засмічення, зупиніть лісковий тример і вийміть акумулятор, а потім видаліть усю траву, яка могла намотатися на вал мотора або насадку-тример.

Після кожного використання очистьте тример.

РЕГУЛЮВАННЯ ДОВЖИНИ РІЖУЧОЇ ЛІСКИ

Головка тримера для подачі Line-IQ оснащена передовими технологіями.

Якщо під час обрізання будь-який кінець ліски зношується менш ніж на 18 см, тримерна головка автоматично випускає ліску, і зайва частина ліски відрізається лезом для обрізання ліски (рис. K).

ПРИМІТКА. Не потрібно постукувати по тримерній головці, щоб звільнити ліску. Якщо ви відчуваєте легке тремтіння головки тримера під час стрижки трави, це означає, що ріжуча ліска автоматично випускається.

▲ ПОПЕРЕДЖЕННЯ. Не видаляйте та не змінюйте ріжуче лезо в зборі. Надмірна довжина ліски призведе до перегріву мотора та може спричинити серйозні травми.

ЗАМІНА ЛІСКИ

ПРИМІТКА. Завжди використовуйте рекомендовану нейлонову ріжучу ліску з діаметром 2,4 мм.

Використання іншої ліски, відмінної від указаної, може спричинити перегрівання інструмента або його пошкодження.

▲ ПОПЕРЕДЖЕННЯ. Ніколи не використовуйте армовану металом ліску, дріт, мотузку тощо. Вони можуть зламатись і стати небезпечними снарядами.

Лісковий тример оснащений передовою системою POWERLOAD™. Ріжучу ліску можна намотати на котушку простим натисканням однієї кнопки. Завантаження повної котушки може бути виконано за 12 секунд. **Не використовуйте систему намотування кілька разів поспіль, щоб зменшити ймовірність пошкодження мотора.**

1. Вийміть акумуляторну батарею.
2. Відріжте шматок ліски завдовжки 4 м.
3. Просуньте ліску у вушко і натискайте на ліску, доки її кінець не вийде з протилежного вушка (рис. L1).

L1-1	Ріжуча ліска	L1-2	Вушко
------	--------------	------	-------

ПРИМІТКА. Не обов'язково вирівнювати люверси, щоб вставити ріжучу ліску. Якщо ліску не можна вставити у вушко, встановіть акумулятор на тример, а потім коротко натисніть кнопку POWERLOAD, щоб скинути механізм намотування.

4. Зніміть акумуляторну батарею, якщо її було встановлено на тример на кроці 3.
5. Витягніть ліску з іншої сторони, доки не з'явиться рівна кількість ліски з обох боків головки тримера (рис. L2).
6. Установіть акумулятор на лісковий тример.
7. Натисніть і утримуйте кнопку POWERLOAD, щоб запустити мотор намотування ліски. Ліска буде безперервно намотуватися на тримерну головку.
8. Уважно стежте за довжиною ліски, що залишається. Приготуйтеся відпустити кнопку, щойно з кожного боку залишиться приблизно 22 см ліски. Натисніть і відпустіть кнопку завантаження ліски, щоб відрегулювати довжину ліски до 18 см із кожного боку (рис. L3).

ПРИМІТКА. У випадку, якщо ліска випадково втягнулася в головку тримера, відкритіть головку та витягніть ріжучу ліску з котушки. Дотримуйтесь розділу «ЗАПРАВЛЕННЯ РІЖУЧОЇ ЛІСКИ» в цьому посібнику, щоб заправити ліску.

ЗАПРАВЛЕННЯ РІЖУЧОЇ ЛІСКИ

ПРИМІТКА. Коли ріжуча ліска застряє в головці тримера, вам потрібно буде видалити ріжучу ліску, що залишилася, з головки тримера і виконати наведені нижче кроки, щоб заправити ліску.

1. Вийміть акумуляторну батарею.
2. Натисніть на фіксатори на головці тримера та зніміть нижню кришку в зборі, витягнувши її (рис. M1 і M2).

M1-1	Фіксатор	M1-2	Нижня кришка в зборі
------	----------	------	----------------------

3. Вийміть ріжучу ліску з головки тримера.
4. Тримайте однією рукою тример, іншою рукою

взімьтись за нижню кришку в зборі та сумістіть отвори в нижній кришці в зборі з фіксаторами. Натискайте на нижню кришку в зборі, доки вона не зафіксується на місці, і тоді ви почуєте виразний звук клацання (рис. M3).

M3-1	Фіксатор	M3-2	Отвір
------	----------	------	-------

- Дотримуйтесь інструкцій у розділі «ЗАМІНА ЛІСКИ», щоб заправити ріжучу ліску.

ЗАМІНА ГОЛОВКИ ТРИМЕРА

▲ ПОПЕРЕДЖЕННЯ. Якщо кріплення головки послаблюється після фіксації в її положенні, негайно замініть її. Ніколи не використовуйте тример із незакріпленим ріжучим пристроєм. Негайно замініть тріснуту, пошкоджену або зношену ріжучу головку, навіть якщо пошкодження являє собою лише поверхневі тріщини. Такі насадки можуть руйнуватися на високій швидкості і призвести до серйозних травм.

Ознайомлення з головою тримера (рис. N1)

N1-1	Нижня кришка	N1-2	Гайка
N1-3	Котушка в зборі	N1-4	Втулка

Зняття головки тримера

- Вийміть акумуляторну батарею.
- Натисніть на фіксатори на головці тримера та зніміть нижню кришку, витягнувши її (рис. M1 і M2).
- Вийміть ріжучу ліску з головки тримера (рис. N2).
- Вдягніть рукавички. Однією рукою візьміться за котушку в зборі, щоб стабілізувати її, а іншою рукою тримайте ударний гайковерт (не входить у комплект), щоб відкрутити гайку проти годинникової стрілки (рис. N3).

N3-1	Гайка	N3-2	Ударний гайковерт (не входить у комплект)
------	-------	------	---

- Зніміть котушки в зборі та втулку з вала мотора. Збережіть втулку для подальшого збирання.
- Замініть на нову головку тримера та встановіть її, виконавши перелічені нижче дії.

Установлення нової головки тримера

- Установіть втулки у вал мотора і встановіть котушку в зборі на місце. Затягніть гайку ударним гайковертом.

- Установіть нижню кришку в зборі (див. рис. M3).
- Заправте ріжучу ліску.
- Запустіть інструмент, щоб перевірити, чи лісковий тример працює нормально. Якщо ні, повторно зберіть його, як описано вище.

ОБСЛУГОВУВАННЯ

▲ ПОПЕРЕДЖЕННЯ. Використовуйте для технічного обслуговування лише ідентичні запчастини. Використання будь-яких інших частин створює небезпеку або може призвести до поломки виробу. Для гарантування безпеки та надійності всі ремонтні роботи повинен проводити кваліфікований технічний спеціаліст.

▲ ПОПЕРЕДЖЕННЯ. Щоб запобігти серйозним травмам, виймайте акумуляторну батарею з інструмента перед обслуговуванням, очищенням або видаленням матеріалів із пристрою.

▲ ЗАСТЕРЕЖЕННЯ. Засмічення вентиляційних отворів перешкоджає проникненню повітря в корпус мотора і може призвести до перегріву або пошкодження мотора.

ОЧИЩЕННЯ ПРИЛАДУ

- Очистьте прилад вологою ганчіркою з м'яким мийним засобом. Ніколи не допускайте потрапляння рідини всередину інструмента; ніколи не занурюйте будь-яку частину інструмента в рідину.
- Не використовуйте сильні миючі засоби на пластиковому корпусі або ручці. Вони можуть бути пошкоджені деякими ароматичними маслами, наприклад хвойним і лимонним, а також розчинниками, такими як газ. Вологість також може становити небезпеку удару. Обережно протріть вологу м'якою сухою тканиною.
- Використовуйте невелику щітку або невеликий пилосос із виводом повітря для очищення вентиляційних отворів ззаду на корпусі.
- Не допускайте перекриття вентиляційних отворів.

ЗАТЧУВАННЯ ЛІСКОВОГО НОЖА

▲ ПОПЕРЕДЖЕННЯ. Завжди захищайте руки, одягаючи міцні рукавички під час виконання будь-якого технічного обслуговування ліскового ножа.

- Послабте два гвинти та зніміть лісковий ніж із захисного кожуха (рис. O).

O-1	Гвинти	O-2	Лісковий ніж
-----	--------	-----	--------------

2. Закріпіть ніж у лещатах.
3. Акуратно заточіть ріжучі кромки ножа дрібним напилком або точильним каменем, дбаючи про те, щоб зберегти вихідний кут ріжучої кромки.
4. Установіть ніж на захисний кожух та зафіксуйте його двома гвинтами.

ЗБЕРІГАННЯ ПРИЛАДУ

- Вийміть акумуляторну батарею з тримера.
- Перед зберіганням інструмент необхідно ретельно очистити.
- Зберігайте пристрій у сухому, добре вентиляваному, закритому або високо розташованому недоступному для дітей місці. Не зберігайте пристрій біля мінеральних добрив, бензину та інших хімікатів.

Захист довкілля



Не викидайте електричне обладнання, акумулятор і зарядний пристрій у побутові відходи! Віднесіть цей виріб авторизованому переробнику й надайте його для роздільного збирання.

Електроінструменти необхідно повернути в підприємство, що займається екологічно безпечною переробкою.

УСУНЕННЯ НЕСПРАВНОСТЕЙ

НЕСПРАВНІСТЬ	ПРИЧИНА	ВИРІШЕННЯ
Лісовий тример не запускається.	<ul style="list-style-type: none"> ■ Акумуляторна батарея не приєднана до тримера. ■ Немає електричного контакту між тримером і батареєю. ■ Акумуляторна батарея розряджена. ■ Вимикач блокування не рухається вперед до натискання курка змінної швидкості. ■ У валі мотора або головці тримера застрягла трава. 	<ul style="list-style-type: none"> ■ Під'єднайте акумулятор до тримера. ■ Вийміть акумулятор, перевірте контакти та знову встановіть акумулятор. ■ Зарядіть акумуляторну батарею. ■ Перемістіть запірний язичок вперед, потім натисніть пусковий перемикач зі змінною швидкістю. ■ Видаліть траву з вала мотора та головки тримера.
Лісовий тример зупиняється під час різання.	<ul style="list-style-type: none"> ■ Щиток не встановлено на тример, у результаті чого ріжуча ліска надмірно довга і мотор перевантажено. ■ Використовується важка ріжуча ліска. ■ Акумулятор або лісовий тример занадто гарячі. ■ Акумулятор від'єднано від інструмента. ■ Акумуляторна батарея розряджена. 	<ul style="list-style-type: none"> ■ Вийміть акумуляторну батарею та встановіть щиток на тример. ■ Використовуйте рекомендовану нейлонову ріжучу ліску з діаметром 2,4 мм. ■ Остудіть акумулятор або лісовий тример. ■ Знову встановіть акумуляторну батарею. ■ Зарядіть акумуляторну батарею.
Тримерна головка не просуває ліску.	<ul style="list-style-type: none"> ■ У валі мотора або головці тримера застрягла трава. ■ На котушці недостатньо ліски або ліска виринається з вушка. ■ Ліска заплуталася. ■ Ліска занадто коротка. ■ Використовується важка ріжуча ліска. ■ Несправність головки тримера 	<ul style="list-style-type: none"> ■ Зупиніть тример, вийміть акумулятор і очистьте вал мотора та головку тримера. ■ Вийміть акумулятор і замініть ріжучу ліску; дотримуйтеся вказівок у розділі «ЗАМІНА ЛІСКИ» в цьому посібнику. ■ Зніміть акумулятор, витягніть ліску з тримерної головки та перемотайте; дотримуйтеся вказівок у розділі «ЗАПРАВЛЕННЯ РІЖУЧОЇ ЛІСКИ» в цьому посібнику. ■ Вийміть акумулятор і витягніть ліску вручну, поперемінно натискаючи та відпускаючи тримерну головку. ■ Використовуйте рекомендовану нейлонову ріжучу ліску з діаметром 2,4 мм. ■ Зверніться по допомогу до клієнтської служби EGO.

UK

НЕСПРАВНІСТЬ	ПРИЧИНА	ВИРІШЕННЯ
Тримерна головка продовжує автоматично випускати ліску.	<ul style="list-style-type: none"> Використовується легка ріжуча ліска. 	<ul style="list-style-type: none"> Використовуйте рекомендовану нейлонову ріжучу ліску з діаметром 2,4 мм.
Трава намоталася на головку тримера та корпус мотора.	<ul style="list-style-type: none"> Різання високої трави на рівні землі 	<ul style="list-style-type: none"> Виріжайте високу траву згори вниз, видаляючи не більше 20 см за кожен прохід, щоб запобігти намотуванню.
Лезо не ріже ліску.	<ul style="list-style-type: none"> Ріжучий лісковий ніж на краю щитка затупився. 	<ul style="list-style-type: none"> Дотримуйтеся інструкцій, щоб заточити лісковий ніж напилком або замінити на новий ніж.
Тріщини на тримерній голівці	<ul style="list-style-type: none"> Головка тримера зношена. 	<ul style="list-style-type: none"> Замініть тримерну головку негайно; дотримуйтеся вказівок у розділі «ЗАМІНА ГОЛОВКИ ТРИМЕРА» в цьому посібнику.
Ріжуча ліска не може бути намотана на головку тримера належним чином.	<ul style="list-style-type: none"> Використовується невідповідна ріжуча ліска. Трава або бруд скупчилися в голівці тримера і заблокували рух катушки із ліскою. Мотор перегрітий через багаторазове спрацювання системи лінійної обмотки. Низька ємність акумулятора Ліска не намотана на катушку. Головка тримера несправна. 	<ul style="list-style-type: none"> Ми пропонуємо вам використовувати оригінальну нейлонову ліску EGO. Якщо під час використання нейлонової ліски EGO проблема не зникне, зверніться до центру обслуговування EGO для отримання консультації. Вийміть батарею, відкрийте та очистьте тримерну головку. Дайте лісковому тримеру попрацювати без навантаження протягом декількох хвилин, щоб мотор охолонув, потім спробуйте заправити ліску. Зарядіть акумулятор Витягніть ліску і знову вставте її. Зверніться по допомогу до клієнтської служби EGO.
Під час вставлення ліски можна пропустити її через головку тримера.	<ul style="list-style-type: none"> На кінці ріжуча ліска розщеплюється або загинається. 	<ul style="list-style-type: none"> Обріжте зношений кінець ліски та знову вставте.

ГАРАНТІЯ

ПРАВИЛА ГАРАНТІЇ EGO

Відвідайте веб-сайт egopowerplus.eu для отримання повного тексту умов гарантійної політики EGO.

ПРОЧЕТЕТЕ ВСИЧКИ ИНСТРУКЦИИ!



ПРОЧЕТЕТЕ РЪКОВОДСТВОТО НА ОПЕРАТОРА



Сигнал за безопасност



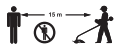
Носете защита на очите - Винаги носете предпазни очила със странична защита и предпазен екран за цялото лице, когато работите с този продукт.



Носете защита на слуха - Винаги носете защита за слуха, когато работите с този продукт



Отпадъчните електрически продукти не трябва да бъдат изхвърляни заедно с домакинския отпадък. Отнесете го до упълномощено място за рециклиране.



Поддържайте безопасно разстояние - Разстоянието между машината и минувачите трябва да бъде най-малко 15 м



Ширина на рязане - Максималната режеща ширина на кордов тример



Разединете акумулаторната батерия от кордовия тример, преди да извършите работа по поддръжка или почистване.

BG

UK
CA

Този продукт е в съответствие с приложимото законодателство на Великобритания.

A

Ампера

см

Сантиметър



Постоянен ток

СИМВОЛ ЗА БЕЗОПАСНОСТ

Експлоатацията на всички електрически инструменти, може да доведе до изхвърляне на чужди предмети към вашите очи, което може да доведе до сериозно нараняване на очите. Преди започване на работа с електрически инструмент, винаги носете предпазни очила със странична защита и визьор за цялото лице, когато е необходимо. Ние препоръчваме предпазна маска с широк визьор за употреба над очила или стандартни предпазни очила със странична защита.



За намаляване на опасността от нараняване, потребителят трябва да прочете ръководството на оператора.

IPX4

Защита от водни пръски



Гарантирано ниво на мощност на звука.



Пазете се от изхвърлени предмети - Изхвърлените обекти могат да рикошират и да доведат до нараняване или щети по собствеността. Уверете се, че други хора и домашни любимци спазват достатъчно разстояние от кордовия тример, когато го използвате.



Не използвайте металните остриета на кордовия тример



Диаметър на кордата - Диаметър на найлоновата режеща корда



Този продукт е в съответствие с приложимите директиви на ЕС.

V

Напрежение

мм

Милиметър

kg

Килограм

... /мин

В минута

СПЕЦИФИКАЦИИ

Напрежение	56 V ---	
Скорост без натоварване	Нисък обхват на скоростта: 3500-4800 мин ⁻¹	Висок обхват на скоростта: 4000-5500 мин ⁻¹
Механизъм за рязане на кордата	ПОДАВАНЕ НА КОРДА IQ	
Режеща корда тип	2.4 м найлонова усукана корда	
Ширина на рязане	40 cm	
Препоръчителна работна температура	0°C - 40°C	
Препоръчителна температура на съхранение	-20°C - 70°C	
Тегло (без акумулаторна батерия)	3,5 kg	
Измерено ниво на сила на звука L _{WA}	90 dB(A) K=2,5 dB(A)	
Ниво на звуково налягане при ухото на оператора L _{PA}	77 dB(A) K=3 dB(A)	
Гарантирано ниво на сила на звука L _{WA} (измерено съгласно 2000/14/EC)	92 dB(A)	
Оценка на вибрации a _h	Предна ръкохватка	3,9 m/s ² K = 1,5 m/s ²
	Задна ръкохватка	2,7 m/s ² K = 1,5 m/s ²

- Декларираният общ размер на вибрации е измерен в съответствие със стандартния метод за тест и може да бъде използван за сравнение между два инструмента;
- Декларираният общ размер на вибрации може също така да бъде използван за предварителна оценка на влиянието.

БЕЛЕЖКА: Вибрационните емисии по време на действителната употреба на електрическия инструмент може да се различава от декларираната стойност. С цел да се защити оператора, потребителят трябва да носи ръкавици и антифони в действителни условия на работа.

ОПИСАНИЕ

ЗАПОЗНАЙТЕ СЕ С ВАШИЯ КОРДОВ ТРИМЕР (Фиг. А1)

1. Спусък за променлива скорост
2. Задна ръкохватка
3. Заклучващо езиче
4. 2-скоростен превключвател
5. Индикатор за скоростта
6. Яка за заключване на височината
7. Бързо регулируема предна РЪКОХВАТКА
8. Лост за бързо освобождаване
9. Панта и заключващ болт
10. Бутон POWERLOAD™n
11. Тримерна глава (с подаване на корда LINE-IQ)
12. Режеща корда
13. Бутон за освобождаване
14. Режещ нож за кордата
15. Предпазител
16. Механизъм за изваждане
17. Резе
18. Бутон за освобождаване на батерията
19. Ключ шестограм
20. Контур на ремък за рамо
21. Ремък за рамо

ОПАКОВЪЧЕН ЛИСТ (ФИГ. А1)

МОНТАЖ

⚠ ПРЕДУПРЕЖДЕНИЕ: Ако някои от частите са повредени или липсват, не работете с този продукт, докато частите не се подменят. Използването на този продукт с повредени или липсващи части може да доведе до сериозно лично нараняване.

⚠ ПРЕДУПРЕЖДЕНИЕ: Не се опитвайте да модифицирате този продукт или да създадете аксесоари, които не се препоръчват за употреба с този кордов тример. Всяка такава промяна или модификация е злоупотреба и може да доведе до опасни условия с последици от възможни сериозни наранявания.

BG

⚠ ПРЕДУПРЕЖДЕНИЕ: За да предотвратите случайно стартиране, което може да причини сериозно нараняване винаги изваждайте акумулаторната батерия от машината, когато сглобявате частите.

РАЗГЪВАНЕ НА ВАЛА

⚠ ПРЕДУПРЕЖДЕНИЕ: За да избегнете прищипване на ръцете или пръстите си, не дръжте вала в съчленяването.

⚠ ПРЕДУПРЕЖДЕНИЕ: Не се опитвайте да стартирате тримера, докато валът е заключен.

Разгънете вала внимателно, като осигурите кабела вътре във вала и го фиксирайте с болта с доставения гаечен ключ (Фиг. В1 и В2).

МОНТАЖ НА ПРЕДПАЗИТЕЛЯ

⚠ ПРЕДУПРЕЖДЕНИЕ: Винаги носете ръкавици, когато монтирате или подмените предпазителя. Внимавайте за ножа на предпазителя и предпазвайте ръцете си от нараняване от ножа.

⚠ ПРЕДУПРЕЖДЕНИЕ: Никога не работете с машината без предпазителя да е здраво на мястото му. Предпазителят трябва винаги да е на машината, за да предпазва потребителя! Когато предпазителят е фиксиран, никога не се опитвайте да извадите или да регулирате предпазителя, ако е необходима подмяна, трябва да бъде извършена от квалифициран сервизен техник!

Позиционирайте тримера така, че главата на тримера да сочи нагоре (Фиг. С1). Подравнете монтажните отвори на предпазителя с отворите за монтажния механизъм и след това захванете предпазителя върху основата на вала с двата винта (Фиг. С2).

БЕЛЕЖКА: Уверете се, че предпазителят е закрепен съгласно фиг. С1 и С2, всяко закрепване на обратно ще причини голяма опасност!

МОНТИРАНЕ И РЕГУЛИРАНЕ НА ПРЕДНАТА РЪКОХВАТКА

1. Разхлабете и извадете лоста за бързо освобождаване и крилчатата гайка от предната ръкохватка (Фиг. D1).

D1-1	Предна ръкохватка	D1-2	Затягащ блок
D1-3	Крилчатата гайка	D1-4	Лост за бързо освобождаване

2. Натиснете предната ръкохватка върху вала в зоната за монтаж между заключващата височината

яка и пантата (Фиг. D2).

3. Поставете затягащия блок в прореза на ръкохватката (Фиг. D3).
4. Монтирайте лоста за бързо освобождаване и предварително затегнете крилчатата гайка. Уверете се, че предната ръкохватка е позиционирана нагоре и сочи към върха на задната ръкохватка (фиг. D4).
5. Издърпайте лоста за бързо освобождаване нагоре, за да премествате/завъртите предната ръкохватка в удобно работно положение, след което заключете лоста за бързо освобождаване (Фиг. D5).

БЕЛЕЖКА: Предната ръкохватка трябва да бъде разположена върху вала само в зоната за монтаж.

⚠ ПРЕДУПРЕЖДЕНИЕ: Инструментът не може да бъде използван без сигурно затегната предна ръкохватка.

РЕГУЛИРАНЕ НА ВИСОЧИНАТА НА ТРИМЕРА

Ако дължината на вала не е подходяща за работа, можете да регулирате дължината на вала чрез яката за заключване на височината.

1. Извадете акумулаторната батерия от тримера.
2. За да регулирате височината на тримера (т.е. дължината на вала), отворете яката заключваща височината и след това плъзнете вала нагоре или надолу до желаната височина, като я закрепите на място чрез натискане на яката заключваща височината (фиг. Е).

E-1	Яка за заключване на височината
-----	---------------------------------

БЕЛЕЖКА: Предната ръкохватка може да се наложи да бъде преместена след промяна на височината на тримера.

ЗАКРЕПВАНЕ НА РЕМЪК ЗА РАМО

За безопасна и по-добра работа поставете ремъка върху едно от раменете и напречно на гърба си.

1. Разхлабете винтовото копче и шестостенната гайка от контура на ремъка за рамо (Фиг. F1).

F1-1	Копче за винт	F1-2	Шестостенна гайка
F1-3	Контур на ремъка за рамо		

2. Поставете контура на ремъка за рамо в удобно работно положение в зоната на монтаж и след

това го фиксирайте, като затегнете копчето за винта и шестостенната гайка.

- Натиснете карабинера на ремъка за рамо, за да го отворите и прикрепете ремъка за рамо към отвора на ремъка (фиг. F2).
- Регулирайте дължината и разположението на ремъка за рамо в удобно работно положение.

⚠ ПРЕДУПРЕЖДЕНИЕ: При наличие на аварийна ситуация, незабавно го свалете от рамото си, независимо по кой начин се намира ремъка.

Не трябва да използвате единичен и двоен ремък за рамо едновременно.

Когато носите ремъка, никое друго преносимо устройство не трябва да пречи на освобождаването и отстраняването на ремъка.

ЕКСПЛОАТАЦИЯ

⚠ ПРЕДУПРЕЖДЕНИЕ: Винаги носете стандартни предпазни очила или предпазни очила със странична защита, заедно със защита за слуха. Ако не го направите може да доведе до изхвърляне на предмети към очите ви и други възможни сериозни наранявания.

Подрязване: трева и плевели от около веранди, огради и платформи.

Косене: трева, която е трудна за достигане при употреба на обикновена косачка.

МОНТИРАНЕ/ИЗВАЖДАНЕ НА АКУМУЛАТОРНАТА БАТЕРИЯ

Използвайте единствено акумулаторни батерии EGO и зарядни устройства изброени във Фиг. A2.

Заредете напълно преди първата употреба.

За да закрепите

Подравнете ребрата на акумулаторната батерия с монтажните жлебове и натиснете батерията надолу, докато чуете "щракване" (Фиг. G1).

За да извадите

Натиснете бутона за освобождаване на батерията и издърпайте акумулаторната батерия навън (Фиг. G2).

ХВАЩАНЕ НА КОРДОВИЯ ТРИМЕР (Фиг. H)

За безопасна и по-добра работа, поставете ремъка за рамо през рамото си. Регулирайте дължината на ремъка за рамо го поставете в удобно положение за работа - хванете тримера с две ръце, едната ръка на

задната ръкохватка, а другата на предната ръкохватка.

БЕЛЕЖКА: Главата на тримера е успоредна на земята на правилно разстояние за рязане, без операторът да се привежда.

⚠ ПРЕДУПРЕЖДЕНИЕ: При наличие на аварийна ситуация, незабавно снемете ремъка за рамо от рамото си, независимо по кой начин е поставен ремъка.

СТАРТИРАНЕ/СПИРАНЕ НА КОРДОВИЯ ТРИМЕР (Фиг. I)

За да стартирате

Преместете заключващото езиче напред и след това натиснете спусъка за променлива скорост.

Спусъкът регулира безстепенно скоростта. Колкото повече издърпвате спусъка, толкова по-висока е скоростта.

I-1	Заключващо езиче	I-2	Спусък за променлива скорост
-----	------------------	-----	------------------------------

За да спрете

Освободете спусъка за променлива скорост.

ФУНКЦИЯ ЗА РЕГУЛИРАНЕ НА СКОРОСТТА (ФИГ. J)

Кордовият тример има две скорости. Натиснете 2-скоростния превключвател, за да промените скоростта на рязане между ниска и висока.

Индикаторът за скорост ще покаже състоянието на активната скорост: една светлина за ниска скорост и две светлини за висока скорост. Ниският диапазон на скоростта осигурява по-добър контрол на тримера и по-дълго време за работа на зареждане.

J-1	Индикатор за скоростта	J-2	2-скоростен превключвател
-----	------------------------	-----	---------------------------

ИЗПОЛЗВАНЕ НА КОРДОВИЯ ТРИМЕР

Почистете зоната, която трябва да бъде подрязана преди всяка употреба. Почистете всички обекти, като камъни, счупени стъкла, пирони, кабели или въжета, които могат да бъдат изхвърлени или да се оплетат в приставката за рязане. Изчистете зоната от деца, околни хора или домашни любимци. Като минимум дръжте всички деца, околни хора и домашни любимци минимум на 15 м разстояние, въпреки това пак може да съществува риск за околните от изхвърлени обекти. Околните наблюдатели трябва да бъдат насърчени да

носят защита за очите. Ако бъдете приближен от човек спрете незабавно мотора и приставката за рязане.

Преди всяка употреба проверявайте за повредени/износени части

Проверете главата на тримера, предпазителя, ремъка за рамо, контура на ремъка за рамо и предната ръкохватка. Заменете всички части, които са напукани, изкривени, огънати или повредени по какъвто и да е начин.

Режещият нож за кордата на ръба на предпазителя може да се изтъпи в течение на времето. Препоръчва се периодично да го заточавате с пила или да го подмените с нов нож.

▲ ПРЕДУПРЕЖДЕНИЕ: Винаги носете ръкавици, когато монтирате или подмените предпазителя или когато заточавате или подмените режещия нож за кордата. Отбележете позицията на ножа върху предпазителя и защитете вашата ръка от нараняване.

Проверете за блокиране на главата на тримера

- За да предотвратите блокиране, поддържайте главата на тримера чиста. Отстранявайте окосената трева, листата, мръсотията и всякакви други натрупани отпадъци преди и след всяка употреба.
- Когато се случи запушване, спрете тримера и извадете батерията, след което отстранете всяка трева, която може да се е увила около вала на двигателя или главата на тримера.

След всяка употреба почистете тримера.

РЕГУЛИРАНЕ НА ДЪЛЖИНАТА НА РЕЖЕЩАТА КОРДА

Захранващата глава за подаване на корда IQ е оборудвана с модерна технология.

Ако всеки край на режещата корда е износен до по-малко от 18 см по време на косенето, тримерната глава автоматично ще освободи режещата корда, а излишната част от режещата корда ще бъде отрязана от режещия нож за кордата (Фиг. К).

BG

БЕЛЕЖКА: Няма нужда да докосвате тримерната глава, за да освободите режещата корда. Ако почувствате лек тремор на тримерната глава при подрязване на тревата, режещата корда се освобождава автоматично.

▲ ПРЕДУПРЕЖДЕНИЕ: Не премахвайте или променяйте устройството на режещия нож за кордата. Прекалената дължина на кордата ще причини прегряване на мотора и може да доведе до сериозно

нараняване.

ПОДМЯНА НА КОРДАТА

БЕЛЕЖКА: Винаги използвайте препоръчителната найлонова режеща корда с диаметър 2,4 мм.

Използване на корда различна от посочената може да причини прегряване или повреда на инструмента.

▲ ПРЕДУПРЕЖДЕНИЕ: Не използвайте никога усилена с метал корда, тел или въже и т.н. Те могат да се счупят и да станат опасни летящи предмети.

Кордовият тример е оборудван с усъвършенствана POWERLOAD™ система. Режещата корда може да бъде навита на макарата с просто натискане на единичен бутон. Зареждането на пълна макара обикновено може да бъде извършено за 12 секунди. **Избягвайте повтаряща се работа на системата за навиване в бърза последователност, за да намалите вероятността от повреда на двигателя.**

1. Премахнете акумулаторната батерия.
2. Отрежете парче режеща корда с дължина 4 м.
3. Вкарайте кордата в ухото и избутайте кордата, докато краят излезе от противоположното ухо (Фиг. L1).

L1-1	Режеща корда	L1-2	Ухо
------	--------------	------	-----

БЕЛЕЖКА: Не е необходимо да подравнявате ушите, за да поставите режещата корда. Ако кордата не може да бъде поставена в отвора, монтирайте батерията върху тримера, след което натиснете бутона POWERLOAD за кратко, за да нулирате механизма за навиване.

4. Извадете батерията, ако е била монтирана на тримера в стъпка 3.
5. Дръпнете кордата от другата страна, докато еднакви дължини корда се появят от двете страни на тримерната глава (Фиг. L2).
6. Инсталирайте акумулаторната батерия към кордовия тример.
7. Натиснете и задръжте бутона POWERLOAD, за да стартирате двигателя за навиване на кордата. Кордата ще бъде навита в тримерната глава непрекъснато.
8. Наблюдавайте внимателно оставащата дължина на кордата. Подгответе се да освободите бутона, когато около 22 см корда останат от всяка страна.

Бързо натиснете бутона за зареждане на корда, за да регулирате дължината, докато 18 см корда се покажат от всяка страна (Фиг. L3).

БЕЛЕЖКА: В случай, че кордата е издърпана в тримерната глава поради инцидент, отворете главата и издърпайте режещата корда от макарата. Следвайте раздел **"ПРЕЗАРЕЖДАНЕ НА РЕЖЕЩАТА КОРДА"** в това ръководство, за да презаредите кордата.

ПРЕЗАРЕЖДАНЕ НА РЕЖЕЩАТА КОРДА

БЕЛЕЖКА: Когато режещата корда заседне в тримерната глава, ще трябва да премахнете останалата режеща корда от тримерната глава и да следвате стъпките по-долу, за да презаредите кордата.

1. Премахнете акумулаторната батерия.
2. Натиснете пластините за освобождаване на тримерната глава и снемете долния капак, като го издърпате право навън (Фиг. M1 и M2).

M1-1	Бутон за освобождаване	M1-2	Възел на долния капак
------	------------------------	------	-----------------------

3. Отстранете режещата корда от тримерната глава.
4. С едната си ръка дръжте тримера, използвайте другата си ръка да хванете долния капак и подравнете прорезите и долния капак с пластините за освобождаване. Натиснете долния капак докато се фиксира на място, при което ще чуете характерен щракващ звук (Фиг. M3).

M3-1	Бутон за освобождаване	M3-2	Прорез
------	------------------------	------	--------

5. Следвайте инструкциите в раздела **"ПОДМЯНА НА КОРДАТА"** в това ръководство, за да презаредите режещата корда.

ПОДМЯНА НА ТРИМЕРНАТА ГЛАВА

⚠ ПРЕДУПРЕЖДЕНИЕ: Подменете незабавно, ако главата се разхлаби след като сте я закрепили в позиция. Никога не използвайте тримера с разхлабени приставки за рязане. Подменете незабавно напукана, повредена или износена режеща глава, дори ако щетите са ограничени до повърхностни пукнатини. Подобни приставки могат да се пръснат при високи скорости и да причинят сериозно нараняване.

Запознайте се с тримерната глава (Фиг. N1).

N1-1	Долен капак	N1-2	Гайка
------	-------------	------	-------

N1-3	Възел на макарата	N1-4	Втулка
------	-------------------	------	--------

За да премахнете тримерната глава

1. Премахнете акумулаторната батерия.
2. Натиснете пластините за освобождаване на тримерната глава и снемете долния капак на тримерната глава, като го издърпате право навън (виж Фиг. M1 и M2).
3. Отстранете режещата корда от тримерната глава (Фиг. N2).
4. Носете ръкавици. Използвайте едната си ръка, за да хванете възела на макарата, за да я стабилизирате и използвайте другата си ръка, за да държите ударния ключ (не е включен), за да разхлабите гайката в посока обратна на часовниковата стрелка (Фиг. N3).

N3-1	Гайка	N3-2	Ударен гаечен ключ (не е включен)
------	-------	------	-----------------------------------

5. Извадете възела на макарата и втулката от вала на двигателя. Запазете втулката за по-късно сглобяване.
6. Заменете с нова тримерна глава и я монтирайте съгласно следните стъпки.

За да инсталирате новата тримерна глава

1. Монтирайте втулката в вала на двигателя и монтирайте възела на макарата на място. Използвайте ударен гаечен ключ, за да затегнете гайката.
2. Монтирайте възела на долния капак (виж Фиг. M3).
3. Презаредете режещата корда.
4. Стартирайте инструмента, за да видите дали кордовият тример работи нормално. Ако не, сглобете го отново по описания по-горе начин.

ПОДДРЪЖКА

⚠ ПРЕДУПРЕЖДЕНИЕ: Когато обслужвате, използвайте само идентични резервни части. Употребата на каквито и да е други части може да създаде опасност или да предизвика повреда на продукта. За да осигурите безопасността и надеждността, всички поправки трябва да се извършват от квалифициран сервизен техник.

⚠ ПРЕДУПРЕЖДЕНИЕ: За да предотвратите

сериозно нараняване, извадете акумулаторната батерия от уреда, преди обслужване, почистване или изваждане на материал от устройството.

⚠ ВНИМАНИЕ: Запушвания на вентилационните отвори ще предотвратят навлизане на въздух във корпуса мотора и ще доведат до прегряване или повреда на мотора.

ПОЧИСТВАНЕ НА УРЕДА

- Почистете уреда използвайки влажна кърпа и мек почистващ препарат. Никога не позволявайте каквато и да е течност да навлезе вътре в инструмента, никога не потапяйте някоя част от инструмента във вода.
- Не използвайте силен почистващ препарат по пластмасата на корпуса или ръкохватката. Те могат да бъдат повредени от определени ароматни масла като бор и лимон и от разтворители като керосин. Влагата също може да причини токов удар. Избършете всякаква влага със суха, мека кърпа.
- Използвайте малка четка или изпусканата въздушна струя от малка четка на прахосмукачка за да почистите, вентилационните отвори в задната страна на корпуса.
- Дръжте вентилационните отвори свободни от запушване.

ЗАТОЧВАНЕ НА РЕЖЕЩИЯ НОЖ ЗА КОРДАТА

⚠ ПРЕДУПРЕЖДЕНИЕ: Винаги защитавайте ръцете си, като носите ръкавици за тежка употреба, когато извършвате поддръжка на режещия нож за кордата.

1. Разхлабете двата винта и извадете режещия нож за кордата от предпазителя (Фиг. 0).

0-1	Винтове	0-2	Режещ нож за кордата
-----	---------	-----	----------------------

2. Затегнете ножа в менгеме.
3. Внимателно заточете режещите ръбове на ножа с фина пила или точило като запазите първоначалния ъгъл на режещия ръб.
4. Поставете отново ножа върху предпазителя и го затегнете на място с двата винта.

BG

СЪХРАНЯВАНЕ НА УРЕДА

- Извадете акумулаторната батерия от тримера.
- Почистете изцяло инструмента преди да го съхраните.
- Съхранете уреда в сухо място с добра вентилация, заключен или съхраняван на високо извън достъпа на деца. Не съхранявайте уреда в близост или върху тор, бензин или други химикали.

Опазване на околната среда



Не изхвърляйте електрическо оборудване, използвана батерия или зарядно устройство в домакинския отпадък! Отнесете продукта до упълномощена фирма за рециклиране и го предоставете за разделно събиране. Електрическите инструменти трябва да бъдат връщани в съоръжения за рециклиране съвместими с околната среда.

ОТСТРАНЯВАНЕ НА ПРОБЛЕМИ

ПРОБЛЕМ	ПРИЧИНА	РЕШЕНИЕ
Кордовият тример не може да стартира.	<ul style="list-style-type: none"> ■ Акумулаторната батерия не е прикрепена към тримера. ■ Няма електрически контакт между тримера и батерията. ■ Акумулаторната батерия е изтощена. ■ Ключалката за изключване не се придвижва напред, преди да натисне спусъка за променлива скорост. ■ Валът на мотора и тримерната глава са обвити в трева. 	<ul style="list-style-type: none"> ■ Закрепете акумулаторната батерия към тримера. ■ Извадете батерията, проверете контактите и поставете наново акумулаторната батерия. ■ Заредете акумулаторната батерия. ■ Преместете заключващото езиче напред и след това натиснете спусъка за променлива скорост. ■ Извадете тревата от вала на двигателя и тримерната глава.
Кордовият тример спира по време на косене.	<ul style="list-style-type: none"> ■ Предпазителят не е монтиран на тримера, което води до прекалено дълга режеща корда и прегряване на мотора. ■ Използвана е тежка корда за рязане. ■ Акумулаторната батерия или кордовият тример са твърде горещи. ■ Акумулаторната батерия е разединена от инструмента. ■ Акумулаторната батерия е изтощена. 	<ul style="list-style-type: none"> ■ Извадете акумулаторната батерия и монтирайте предпазителя на тримера. ■ Използвайте препоръчителна найлонова режеща корда с диаметър 2,4 мм. ■ Охладете батерията или кордовия тример. ■ Монтирайте отново акумулаторната батерия. ■ Заредете акумулаторната батерия.

ПРОБЛЕМ	ПРИЧИНА	РЕШЕНИЕ
Главата на тримера не издърпва кордата.	<ul style="list-style-type: none"> ■ Валът на мотора и тримерната глава са обвити в трева. ■ Няма достатъчно корда на макарата или скъсване на кордата от ухото. ■ Кордата е оплетена. ■ Кордата е твърде къса. ■ Използвана е тежка корда за рязане. ■ Неизправност на тримерната глава. 	<ul style="list-style-type: none"> ■ Спрете тримера, извадете батерията и почистете вала на мотора и тримерната глава. ■ Отстранете батерията и подменете кордата за рязане, като следвате раздел "ПОДМЯНА НА КОРДАТА" в това ръководство. ■ Извадете батерията, извадете кордата от главата на тримера и я пренавийте, следвайте раздел "ПРЕЗАРЕЖДАНЕ НА РЕЖЕЩАТА КОРДА" в това ръководство. ■ Извадете батерията и издърпайте ръчно кордата, като последователно натиснете и освободите главата на тримера. ■ Използвайте препоръчителна найлонова режеща корда с диаметър 2,4 мм. ■ Обадете се на обслужване на клиенти на EGO за ремонт.
Тримерната глава продължава да освобождава кордата автоматично.	<ul style="list-style-type: none"> ■ Използвана е лека корда за рязане. 	<ul style="list-style-type: none"> ■ Използвайте препоръчителна найлонова режеща корда с диаметър 2,4 мм.
Тревата обгръща главата на тримера и корпуса на двигателя.	<ul style="list-style-type: none"> ■ Рязане на висока трева при нивото на земята 	<ul style="list-style-type: none"> ■ Режете висока трева от горе на долу, като не отстранявате повече от 20 см при всяко преминаване за да предотвратите увиване.
Ножът не реже кордата.	<ul style="list-style-type: none"> ■ Режещият нож за кордата на ръба на предпазителя се е затъпил. 	<ul style="list-style-type: none"> ■ Следвайте инструкциите, за да заточите режещия нож за кордата с пила или го подменете с нов.
Пукнатини на тримерната глава	<ul style="list-style-type: none"> ■ Главата на тримера е износена. 	<ul style="list-style-type: none"> ■ Подменете незабавно главата на тримера следвайки "ПОДМЯНА НА ГЛАВАТА НА ТРИМЕРА" в това ръководство.

ПРОБЛЕМ	ПРИЧИНА	РЕШЕНИЕ
Кордата не може да бъде навита в тримерната глава правилно.	<ul style="list-style-type: none"> ■ Използвана е неправилна корда за рязане. ■ Отлагания от трева или замърсявания са се натрупали в главата на тримера и блокират движението на макарата. ■ Двигателят е прегрял поради повтарящо се действие на системата за навиване на кордата. ■ Нисък капацитет на батерията. ■ Кордата не се навива във възела на макарата. ■ Тримерната глава е дефектна. 	<ul style="list-style-type: none"> ■ Предлагаме ви да използвате оригинална режеща корда от найлон EGO. Ако използвате найлонова корда EGO и проблемът продължава, моля, обадете се на потребителския сервиз на EGO за съвет. ■ Извадете батерия, отворете и почистете цялостно главата на тримера. ■ Оставете кордовия тример да работи без натоварване за няколко минути, за да се охлади двигателят, след това се опитайте да заредите отново кордата. ■ Заредете акумулаторната батерия ■ Издърпайте кордата и я поставете отново. ■ Обадете се на обслужване на клиенти на EGO за ремонт.
Кордата не може да премине през тримерната глава при вмъкването на кордата.	<ul style="list-style-type: none"> ■ Кордата за рязане е разцепена или огъната в края. 	<ul style="list-style-type: none"> ■ Отрежете износения край на кордата и я вмъкнете отново.

ГАРАНЦИЯ

ГАРАНЦИОННА ПОЛИТИКА EGO

Моля, посетете уебсайта egopowerplus.eu за пълните срокове и условия по гаранционната политика на EGO.

BG

PROČITAJTE UPUTE U CIJELOSTI!



PROČITAJTE PRIRUČNIK ZA RUKOVATELJE.



Simbol upozorenja



Nosite zaštitu za oči - nosite zaštitne naočale ili zaštitne naočale s bočnim štitnicima i štitnik za cijelo lice kada rukujete ovim proizvodom.



Nosite zaštitu za sluh - nosite zaštitu za sluh kada koristite ovaj proizvod.



Otpadni električni proizvodi ne smiju se odlagati s otpadom iz kućanstva. Odnosite ih u ovlašteni centar za recikliranje.



Održavajte sigurnu udaljenost — udaljenost između stroja i promatrača treba biti najmanje 15 m.



Širina rezanja - maksimalna širina rezanja šišača s reznom niti



Prije obavljanja radova održavanja ili čišćenja, baterijski modul odvojite od šišača s reznom niti.



Ovaj proizvod je u skladu s važećim zakonodavstvom UK.

HR

A

Amperi

Cm

Centimetar

Istosmjerna struja

SIMBOL O SIGURNOSTI

Rukovanje električnim alatima može rezultirati odbacivanjem stranih predmeta u oči, što opet može izazvati teške ozljede očiju. Pri radu s električnim alatom nosite zatvorene zaštitne naočale ili zaštitne naočale s bočnim štitnicima, a prema potrebi i štitnik za cijelo lice. Preporučujemo nošenje sigurnosne maske proizvođača Wide Vision preko naočala ili nošenje standardnih zaštitnih naočala s bočnim štitnicima.



Radi smanjenja opasnosti od ozljeda korisnik treba pročitati korisnički priručnik.

IPX4

Zaštita od prskajuće vode



Zajamčena razina snage zvuka.



Pazite na odbačene predmete — odbačeni predmeti mogu odskočiti i rezultirati tjelesnim ozljedama ili materijalnom štetom. Pobrinite se da druge osobe i kućni ljubimci ostanu podalje od šišača s reznom niti kada je u uporabi.



Nemojte upotrebljavati metalne noževe na šišaču s reznom niti.



Promjer rezne niti - promjer najlonske rezne niti



Ovaj proizvod je u skladu s važećim direktivama EU.

V

Napon

mm

Milimetar

kg

kilogram

... /min

U minuti

TEHNIČKI PODACI

Napon	56 V ---	
Brzina u praznom hodu	Raspon niske brzine: 3500-4800 min ⁻¹	
	Raspon visoke brzine: 4000-5500 min ⁻¹	
Mehanizam rezne niti	DOVOD NITI-IQ	
Tip rezne niti	Najlonska rezna nit 2,4 mm	
Širina otkosa	40 cm	
Preporučena radna temperatura	0°C - 40°C	
Preporučena temperatura skladištenja	-20°C - 70°C	
Težina (bez baterijskog modula)	3,5 kg	
Izmjerena razina zvučne snage L _{WA}	90 dB(A) K=2,5 dB(A)	
Razina zvučnog tlaka kod uha rukovatelja L _{PA}	77 dB(A) K=3 dB(A)	
Zajamčena razina zvučne snage L _{WA} (izmjereno u skladu s 2000/14/EZ)	92 dB(A)	
Procjena vibracija a _h	Prednji rukohvat	3,9 m/s ² K=1,5 m/s ²
	Stražnji rukohvat	2,7 m/s ² K=1,5 m/s ²

- Deklarirane ukupne vrijednosti vibracija izmjerene su u skladu sa standardnom metodom ispitivanja i mogu se koristiti za usporedbu jednog alata s drugim.
- Deklarirane ukupne vrijednosti vibracija mogu se koristiti i u preliminarnoj procjeni izloženosti.

OBAVJEST: Emisija vibracija tijekom aktualnog korištenja električnog alata može se razlikovati od deklarirane vrijednosti u kojoj se alat koristio; Radi zaštite rukovatelja korisnik treba nositi rukavice i štitnike za uši u aktualnim uvjetima korištenja.

OPIS

UPOZNAJTE SVOJ ŠIŠAČ S REZKOM NITI (slika A1)

1. Okidač s regulacijom brzine
2. Stražnja drška

3. Jezičak za fiksiranje
4. Sklopka za 2 brzine
5. Indikator brzine
6. Obruč za fiksiranje visine
7. Prednji rukohvat s brzim podešavanjem
8. Ručica za brzo oslobađanje
9. Vijak za šarke i fiksiranje
10. Gumb POWERLOAD™
11. Glava šišača (s LINE-IQ dovodom)
12. Rezna nit
13. Jezičak za oslobađanje
14. Nož za rezanje rezne niti
15. Štitnik
16. Mehanizam za izbacivanje
17. Zapor
18. Gumb za oslobađanje baterije
19. Imbus ključ
20. Omča naramenice
21. Naramenica

OTPREMNICA (SL. A1)

SASTAVLJANJE

⚠ UPOZORENJE: Ako je bilo koji dio oštećen ili ako nedostaje, nemojte upotrebljavati ovaj proizvod dok se ne zamijene dijelovi. Upotreba ovog proizvoda oštećenih dijelova ili dijelova koji nedostaju može rezultirati teškim tjelesnim ozljedama.

⚠ UPOZORENJE: Ne pokušavajte obavljati preinake na ovom proizvodu ili raditi pribor koji nije preporučen za uporabu s ovim šišačem trave s reznom niti. Sve takve izmjene ili preinake predstavljaju nepropisnu uporabu i mogu rezultirati opasnim stanjima koja mogu dovesti do mogućih teških tjelesnih ozljeda.

⚠ UPOZORENJE: Kako biste spriječili slučajno pokretanje koje može prouzročiti teške tjelesne ozljede, baterijski modul uvijek uklonite iz stroja kada sastavljate dijelove.

RASKLAPANJE VRATILA

⚠ UPOZORENJE: Vratilo nemojte držati na zglobu kako ne bi došlo do priklještenja šaka ili prstiju.

⚠ UPOZORENJE: Nemojte pokretati šišač dok vratilo

nije učvršćeno.

Pažljivo rasklopite vratilo, pazeći da je kabel u vratilu pa ga fiksirajte s dva vijka koristeći isporučeni ključ (slika B1 i B2).

POSTAVLJANJE ŠTITNIKA

⚠ UPOZORENJE: Pri postavljanju ili zamjeni štitnika nosite rukavice. Budite oprezni s oštricom na štitniku i zaštitite ruke od ozljeda od oštrice.

⚠ UPOZORENJE: Stroj ne upotrebljavajte bez dobro pričvršćenog štitnika. Štitnik mora uvijek biti na stroju radi zaštite korisnika! Kada je štitnik učvršćen, nemojte ga skidati ili podešavati. Ako ga je potrebno zamijeniti, neka to obavi kvalificirani serviser!

Postavite šišač tako da je njegova glava okrenuta prema gore (sl. C1). Poravnajte otvore za postavljanje štitnika s otvorima za postavljanje, a zatim pričvrstite štitnik na postolje drška pomoću dva vijka (sl. C2).

OBVIJEST: Uvjerite se da je štitnik pričvršćen u skladu sa slikama C1 i C2, svako obrnuto pričvršćivanje izazvat će veliku opasnost!

POSTAVLJANJE I PODEŠAVANJE PREDNJEG RUKOHVATA

- Otpustite i uklonite ručicu za brzo oslobađanje i krilnu maticu s prednjeg rukohvata (Sl. D1).

D1-1	Prednji rukohvat	D1-2	Stezni blok
D1-3	Krilna matica	D1-4	Ručica za brzo otpuštanje

- Gurnite prednji rukohvat na vratilo unutar zone ugradnje između prstena za fiksiranje visine i šarke (Sl. D2).
- Umetnite stezni blok u utor za rukohvat (Sl. D3).
- Montirajte ručicu za brzo otpuštanje i pritegnite krilnu maticu. Pazite da je prednji rukohvat okrenut gore i prema gornjem dijelu stražnjeg rukohvata (sl. D4).
- Povucite ručicu za brzo otpuštanje prema gore da pomaknete/zakrenete prednji rukohvat u udoban radni položaj i zatim fiksirajte ručicu za brzo otpuštanje (Sl. D5).

OBVIJEST: Prednji rukohvat treba postaviti na vratilo samo unutar zone montaže.

⚠ UPOZORENJE: Alat se ne smije upotrebljavati ako prednji pomoćni rukohvat nije sigurno pričvršćen.

PODEŠAVANJE VISINE ŠIŠAČA

Ako duljina vratila nije prikladna za upotrebu, duljinu možete prilagoditi pomoću ovog prstena za fiksiranje visine.

- Izvadite baterijski modul iz šišača.
- Da biste podesili visinu šišača (tj. duljina vratila) otvorite prsten za fiksiranje visine i zatim gurnite vratilo prema gore ili prema dolje do željene visine, pričvrstite ga na mjestu pritiskom na prsten za fiksiranje visine (Sl. E).

E-1	Prsten za fiksiranje visine
-----	-----------------------------

OBVIJEST: Prednji rukohvat možda će trebati premjestiti nakon promjene visine šišača.

PRIČVRŠĆIVANJE NARAMENICE

Za siguran i bolji rad, stavite remen preko jednog od ramena i preko leđa.

- Otpustite gumb s navojem i šesterokutnu maticu iz omče naramenice (Sl. F1).

F1-1	Gumb s navojem	F1-2	Šesterokutna matica
F1-3	Omča naramenice		

- Postavite omču naramenice u udoban radni položaj unutar zone ugradnje, a zatim je učvrstite zatezanjem gumba s navojem i šesterokutne matice.
- Pritisnite karabiner naramenice da biste ga otvorili i pričvrstili naramenicu na rupu na omči naramenice (Sl. F2).
- Podesite duljinu naramenice i položaj za udoban radni položaj.

⚠ UPOZORENJE: U slučaju nužde, naramenicu odmah skinite s ramena bez obzira na koji način naramenica postavljena.

Ne biste trebali istodobno koristiti jednostruku i dvostruku traku za rame.

Kada nosite naramenicu, nijedno drugo nosivo sredstvo ne smije ometati otpuštanje i uklanjanje naramenice.

RAD

⚠ UPOZORENJE: Uvijek nosite zatvorene zaštitne naočale ili zaštitne naočale s bočnim štitnicima, zajedno sa zaštitom za sluh. Nepostupanje u skladu s tim može rezultirati odbacivanjem predmeta u oči i drugim mogućim teškim ozljedama.

Šišanje trave: trava i korov u okolini trijemova, živica i terasa.

Rezanje: trava koju je teško dohvatiti pomoću normalne kosilice.

POSTAVLJANJE I UKLANJANJE BATERIJSKOG MODULA

Upotrebjavajte samo s baterijskim modulima i punjačima tvrtke EGO navedenima na sl. A2.

Baterijski modul potpuno napunite prije prve upotrebe.

Postavljanje

Poravnajte izbočenja baterije s montažnim utorima i utiskujte baterijski modul prema dolje dok ne začujete klik (sl. G1).

Uklanjanje

Pritisnite gumb za oslobađanje baterije i izvucite baterijski modul (sl. G2).

DRŽANJE ŠIŠAČA S REZKOM NITI (sl. H)

Za siguran i bolji rad, preko ramena stavite ramenu traku. Podesite duljinu naramenice i položaj u udoban radni položaj - držite šišač s obje ruke: jednom rukom na stražnjem, a drugom na prednjem rukohvatu.

OBAVIJEST: Glava šišača trave je u paralelnom položaju u odnosu na tlo na propisnoj razdaljini za rezanje bez naginjanja rukovatelja prema naprijed.

⚠ UPOZORENJE: U slučaju nužde, naramenicu odmah skinite s ramena bez obzira na koji način je naramenica postavljena.

POKRETANJE/ZAUSTAVLJANJE RADA ŠIŠAČA S REZKOM NITI (sl. I)

Pokretanje

Pomaknite jezičak za fiksiranje prema naprijed i zatim okidač s regulacijom brzine.

Okidač kontinuirano podešava brzinu. Što više pritisnete okidač, to će brzina biti veća.

I-1	Jezičak za zaključavanje	I-2	Okidač s regulacijom brzine
-----	--------------------------	-----	-----------------------------

Zaustavljanje

Otpustite okidač s regulacijom brzine.

FUNKCIJA PODEŠAVANJA BRZINE (sl. J)

Šišač s reznom niti ima dvije postavke brzine. Pritisnite sklopku s 2 brzine da biste promijenili brzinu rezanja između niske i visoke.

Indikator brzine prikazat će status aktivne brzine: jedno svjetlo za nisku brzinu i dva svjetla za visoku brzinu. Raspon male brzine omogućuje bolje upravljanje šišačem i duže vrijeme rada po punjenju.

J-1	Indikator brzine	J-2	Sklopka za 2 brzine
-----	------------------	-----	---------------------

UPOTREBA ŠIŠAČA S REZKOM NITI

Prije svake uporabe očistite radno područje. Uklonite sve predmete poput kamenja, razbijenog stakla, čavala, žica ili niti koje stroj može odbaciti ili koji se mogu zaplesti u rezni nastavak. Iz područja udaljite djecu, promatrače i kućne ljubimce. Djecu, promatrače i kućne ljubimce udaljite najmanje 15 m; čak i tada postoji opasnost od odbačenih predmeta za promatrače. Promatrače potaknite da nose zaštitu za oči. Ako Vam netko prilazi, odmah zaustavite motor i rezni priključak.

Prije svake uporabe provjerite oštećene/istrošene dijelove.

Provjerite glavu trimera, štitnik, naramenicu, omču naramenice i prednji rukohvat. Zamijenite sve dijelove koji su napuknuti, iskrivljeni, savijeni ili oštećeni na bilo koji način.

Nož za rezanje rezne niti na rubu štitnika vremenom može otupjeti. Preporučujemo povremeno oštrenje noža turpijom ili zamjenu noža novim.

⚠ UPOZORENJE: Nosite zaštitne rukavice pri postavljanju ili zamjeni štitnika, pri oštrenju ili zamjeni noža. Zabilježite mjesto noža na štitniku i zaštitite ruke od ozljeda.

Provjerite je li glava šišača začepljena

- Da biste spriječili začepljenje, držite glavu šišača čistom. Uklonite pokošenu travu, lišće, prljavštinu i sve ostale nakupljene ostatke prije i nakon svake uporabe.
- Kada dođe do začepljenja, zaustavite šišač s reznom niti i izvadite bateriju, a zatim uklonite svu travu koja se omotala oko vratila motora ili glave šišača.

Šišač s reznom niti očistite nakon svake uporabe.

PODEŠAVANJE DULJINE REZNE NITI

Glava šišača Line-IQ opremljena je naprednom tehnologijom.

Ako bilo koji kraj niti za rezanje istroši na manje od 18 cm tijekom šišanja, glava šišača automatski će otpustiti reznu nit, a dodatni dio rezne niti bit će odsječen nože za odsijecanje nit (Sl. K).

OBAVIJEST: Nije potrebno udarati glavom šišača za otpuštanje rezne niti iz njega. Ako osjetite lagane vibracije glave šišača prilikom šišanja trave, to se automatski oslobađa rezna nit.

⚠ UPOZORENJE: Ne uklanjajte sklop rezne oštrice niti ili ne obavljajte preinake na njemu. Prekomjerna duljina niti prouzročit će pregrijavanje motora što može rezultirati teškim tjelesnim ozljedama.

ZAMJENA REZNE NITI

OBAVIJEST: Uvijek upotrebljavajte preporučenu plastičnu reznu nit promjera 2,4 mm.

Upotreba nepreporučenih reznih niti može prouzročiti pregrijavanje ili oštećenje.

⚠ UPOZORENJE: Nikada nemojte koristiti metalom ojačane niti, žice ili užad i sl. Mogu se odlomiti i postati opasni projektili.

Šišač s reznom nitom opremljen je naprednim sustavom POWERLOAD™. Reznu nit možete je namotati na kalemu jednostavnim pritiskom na jedan gumb. Stavljajući punog koluta obično se može završiti za 12 sekundi. **Izbjegavajte ponavljani brzi rad sustava namotavanja kako biste smanjili mogućnost oštećenja motora.**

1. Uklonite baterijski modul.
2. Izrežite jedan komad rezne niti duljine 4 m.
3. Umetnite reznu nit u ušicu i gurajte je dok njezin kraj ne izađe na suprotnoj ušici (Sl. L1).

L1-1	Rezna nit	L1-2	Ušica
------	-----------	------	-------

OBAVIJEST: Nije potrebno poravnati ušice kako biste umetnuli reznu nit. Ako se nit ne može gurnuti u ušicu, montirajte baterijski modul na šišač i zatim kratko pritisnite tipku POWERLOAD da biste resetirali mehanizam za namotavanje.

4. Uklonite baterijski modul ako je montiran na šišač u koraku 3.
5. Vucite reznu nit s druge strane dok rezna nit ne bude iste duljine s obje strane glave šišača trave (sl. L2).
6. Ugradite baterijski modul u šišač s reznom nitom.
7. Pritisnite i držite gumb POWERLOAD pritisnutim kako biste pokrenuli motor za namotavanje rezne niti. Rezna nit kontinuirano će se namotavati u glavu šišača.
8. Pažljivo pazite na duljinu preostale rezne niti. Pripremite se da otpustite gumb čim sa svake strane ostane oko 22 cm rezne niti. Kratko pritisnite gumb za namotavanje rezne niti kako biste podesili duljinu tako da sa svake strane ostane 18 cm rezne niti (sl. L3).

OBAVIJEST: U slučaju nehotičnog uvlačenja rezne niti

u glavu šišača trave, otvorite glavu i izvucite reznu nit iz kalema. Za ponovno namotavanje rezne niti slijedite upute u poglavlju "NAMOTAVANJE REZNE NITI".

NAMOTAVANJE REZNE NITI

OBAVIJEST: Kad se linija za rezanje zaglavi u glavi šišača, morat ćete ukloniti preostalu reznu nit iz glave šišača i slijediti postupak u nastavku da za ponovno namotavanje rezne niti.

1. Uklonite baterijski modul.
2. Pritisnite jezičke za otpuštanje na glavi šišača i uklonite sklop donjeg poklopca glave šišača povlačeći ga ravno van (Sl. M1 i M2).

M1-1	Jezičac za oslobađanje	M1-2	Sklop donjeg poklopca
------	------------------------	------	-----------------------

3. Izvadite reznu nit iz glave šišača.
4. Jednom rukom držite šišač trave, drugom rukom uzmite sklop donjeg poklopca i poravnajte utore u sklopu donjeg poklopca s jezičcima za otpuštanje. Pritišćite sklop donjeg poklopca dok ne ulegne u svoje ležište, pri čemu ćete čuti karakterističan zvuk (sl. M3).

M3-1	Jezičac za oslobađanje	M3-2	Utor
------	------------------------	------	------

5. Za ponovno namotavanje rezne niti slijedite upute u odjeljku "ZAMJENA REZNE NITI".

ZAMJENA GLAVE ŠIŠAČA

⚠ UPOZORENJE: Ako se glava nakon pričvršćivanja otpusti, odmah je zamijenite. Šišač trave nikad ne upotrebljavajte ako je rezni priključak otpušten. Puknutu, oštećenu ili istrošenu reznu glavu odmah zamijenite čak i ako je oštećenje ograničeno na površinske pukotine. Takvi priključci mogu se raspuknuti pri visokoj brzini i prouzročiti teške ozljede.

Upoznajte se s glavom šišača (Sl. N1).

N1-1	Donji poklopac	N1-2	Matica
N1-3	Sklop koluta	N1-4	Čahura

Uklanjanje glave šišača

1. Uklonite baterijski modul.
2. Pritisnite jezičke za otpuštanje na glavi šišača trave i uklonite donji poklopac glave šišača trave povlačeći ga ravno van (Sl. M1 i M2).
3. Izvadite reznu nit iz glave šišača (sl. N2).

- Nosite rukavice. Jednom rukom prihvatite sklop kalema kako biste ga stabilizirali, a drugom rukom držite udarni ključ (nije isporučen) kako biste otpustili maticu u smjeru suprotnom smjeru kretanja kazaljki na satu (sl. N3).

N3-1	Matica	N3-2	Udarni ključ (nije isporučen)
------	--------	------	-------------------------------

- Uklonite sklop koluta i čahuru s vratila motora. Spremite čahuru za kasniju montažu.
- Zamijenite glavu šišača trave i postavite je prema sljedećim koracima.

Postavljanje nove glave šišača

- Montirajte čahuru u vratilo motora i montirajte sklop koluta na svoje mjesto. Za pritezanje matice upotrijebite udarni ključ.
- Postavite sklop donjeg poklopca (pogledajte sl. M3).
- Ponovno namotajte reznu nit.
- Pokrenite alat kako biste provjerili ispravnost rada šišača za travu. Ako to nije slučaj, ponovno ga sastavite prema gornjim uputama.

ODRŽAVANJE

⚠ UPOZORENJE: Pri servisiranju koristite samo identične zamjenske dijelove. Korištenje drugih dijelova može izazvati opasnost ili prouzročiti oštećenje proizvoda. Radi sigurnosti i pouzdanosti sve popravke treba obavljati kvalificirani servisni tehničar.

⚠ UPOZORENJE: Radi sprečavanja teških tjelesnih ozljeda, prije servisiranja, čišćenja ili uklanjanja materijala izvadite baterijski modul iz alata.

⚠ OPREZ! Prepreke u ventilacijskim otvorima sprječavaju da zrak struji u kućište motora što uzrokuje pregrijavanje ili oštećenje motora.

ČIŠĆENJE UREĐAJA

- Jedinicu očistite vlažnom krpom i blagim deterdžentom. Nemojte dopustiti da tekućina uđe u alat; Ne uranjajte nijedan dio alata u tekućinu.
- Za čišćenje plastičnog kućišta ili rukohvata ne koristite jake deterdžente jer Mogu ih oštetiti neka aromatična ulja, kao što su borovo i limunovo ulje i otapala kao što je kerozin. Vлага može izazvati opasnost od strujnog udara. Vlažna mjesta obrišite mekanom, suhom krpom.
- Za čišćenje ventilacijskih otvora na stražnjem kućištu koristite malu četku ili mali usisavač.

- Ventilacijske otvore držite slobodnim od zapreka.

OŠTRENJE NOŽA ZA ODSIECANJE REZNE NITI

⚠ UPOZORENJE: Kad obavljate radove održavanja oštrice za rezanje rezne niti, uvijek zaštitite ruke nošenjem debelih rukavica.

- Otpustite dva vijka i uklonite oštricu za rezanje linije sa štitnika (Sl. O).

O-1	Vijci	O-2	Oštrica za rezanje rezne niti
-----	-------	-----	-------------------------------

- Osigurajte oštricu u škripcu.
- Pažljivo obradite rezne bridove oštrice turpijom s finim zupcima ili kamenom za oštrenje, održavajući pritom originalni kut reznog brida.
- Ponovno stavite nož na štitnik i pričvrstite ga dvama vijcima.

SKLADIŠTENJE UREĐAJA

- Izvadite baterijski modul iz šišača.
- Prije skladištenja temeljito očistite alat.
- Uređaj skladištite na suhom, dobro prozračenom mjestu koje je moguće zaključati ili koje je na visini izvan dohvata djece. Jedinicu nemojte skladištiti u blizini gnojiva, benzina ili drugih kemijskih tvari ili u njihovoj blizini.

Zaštita okoliša



Električnu opremu, iskorištenu bateriju i punjač ne odlažite u otpad iz kućanstva! Ovaj proizvod odnesite u ovlašteni centar za reciklažu i time omogućite odvojeno sakupljanje. Električne alate potrebno je vratiti u ekološki prihvatljiv pogon za reciklažu.

RJEŠAVANJE PROBLEMA

PROBLEM	UZROK	RJEŠENJE
Šišač s reznom niti ne pokreće se.	<ul style="list-style-type: none"> ■ Baterijski modul nije priključen na šišač. ■ Nema električnog kontakta između škara i baterije. ■ Baterijski modul je ispražnjen. ■ Sklopka za isključivanje zaključavanja ne pomiče se naprijed prije pritiska na okidač s regulacijom brzine. ■ Vratilo motora ili glavu šišača trave blokira trava. 	<ul style="list-style-type: none"> ■ Postavite baterijski modul na šišač. ■ Izvadite bateriju, provjerite kontakte i ponovno stavite baterijski modul. ■ Napunite baterijski modul. ■ Pomaknite jezičak za fiksiranje prema naprijed i zatim okidač s regulacijom brzine. ■ Uklonite travu s vratila motora i glave šišača.
Šišač s reznom niti se tijekom rezanja.	<ul style="list-style-type: none"> ■ Štitnik nije postavljen na šišač trave, što rezultira predugačkom reznom niti i preopterećenjem motora. ■ Koristi se debela rezna nit. ■ Baterijski modul ili šišač s reznom niti previše je vruć. ■ Baterijski modul odspojen je od alata. ■ Baterijski modul je ispražnjen. 	<ul style="list-style-type: none"> ■ Uklonite baterijski modul i na šišač postavite štitnik. ■ Koristite preporučenu plastičnu reznu nit promjera 2,4 mm. ■ Ohladite bateriju ili šišač s reznom niti. ■ Ponovno umetnite baterijski modul. ■ Napunite baterijski modul.
Glava šišača ne izvlači reznu nit.	<ul style="list-style-type: none"> ■ Vratilo motora ili glavu šišača trave blokira trava. ■ Na kolutu nema dovoljno rezne niti ili je ista pukla na ušici. ■ Rezna nit se zapetljala. ■ Rezna nit je prekratka. ■ Koristi se debela rezna nit. ■ Neispravnost glave šišača. 	<ul style="list-style-type: none"> ■ Zaustavite šišač trave, izvadite bateriju i očistite vratilo motora i glavu šišača trave. ■ Izvadite bateriju i zamijenite reznu nit prema uputama u odjeljku "ZAMJENA REZNE NITI" u ovom priručniku. ■ Izvadite bateriju, uklonite reznu nit s glave šišača i ponovno je namotajte prema uputama u odjeljku "NAMOTAVANJE REZNE NITI" u ovom priručniku. ■ Uklonite bateriju i ručno povucite rezne niti dok izmjenično pritišćete i otpuštate glavu šišača trave. ■ Koristite preporučenu plastičnu reznu nit promjera 2,4 mm. ■ Za pomoć se obratite korisničkoj službi proizvođača EGO.
Glava šišača i dalje automatski otpušta nit.	<ul style="list-style-type: none"> ■ Koristi se tanka rezna nit. 	<ul style="list-style-type: none"> ■ Koristite preporučenu plastičnu reznu nit promjera 2,4 mm.

PROBLEM	UZROK	RJEŠENJE
Trava se omotava oko glave šišača i kućišta motora.	<ul style="list-style-type: none"> Rezanje visoke trave na razini tla 	<ul style="list-style-type: none"> Visoku travu režite odozgo prema dolje i pritom ne režite više od 20 cm u svakom prolazu kako biste izbjegli omotavanje.
Nož ne reže reznu nit.	<ul style="list-style-type: none"> Oštrica za rezanje rezne niti na rubu štitnika tupa je. 	<ul style="list-style-type: none"> Nož za rezanje rezne niti naoštrite turpijom prema uputama ili ga zamijenite novim.
Pukotine na glavi šišača	<ul style="list-style-type: none"> Glava šišača trave istrošena je. 	<ul style="list-style-type: none"> Odmah zamijenite glavu šišača; slijedite upute u odjeljku „ZAMJENA GLAVE ŠIŠAČA TRAVE“ u ovom priručniku.
Rezna ne može se pravilno namotati na glavu šišača.	<ul style="list-style-type: none"> Koristi se nepropisna rezna nit. Na glavi šišača nakupili su se ostaci trave ili prljavština i blokirali su pomicanje koluta s reznom niti. Motor se pregrijava zbog opetovane upotrebe sustava za namotavanje rezne niti. Nizak kapacitet baterije Nit se namotava u sklop koluta. Glava šišača trave je neispravna. 	<ul style="list-style-type: none"> Predlažemo da upotrijebite EGO originalnu plastičnu reznu nit. Ako koristite EGO najlonsku reznu nit, a problem ne nestane, nazovite korisničku službu tvrtke EGO i potražite savjet. Izvadite bateriju, otvorite glavu šišača i detaljno je očistite. Pustite šišač s reznom niti da nekoliko minuta radi bez opterećenja da se ohladi motor, zatim pokušajte ponovno namotati nit. Napunite bateriju Izvučite nit i ponovno je umetnite. Za pomoć se obratite korisničkoj službi proizvođača EGO.
Rezna nit ne može se provući kroz glavu šišača prilikom njena umetanja.	<ul style="list-style-type: none"> Rezna nit je pukla ili se savila na svom kraju. 	<ul style="list-style-type: none"> Odrežite istrošeni kraj niti i ponovno je umetnite.

JAMSTVO

PRAVILA U VEZI JAMSTVA PROIZVOĐAČA EGO

Cjelokupne uvjete i odredbe jamstvene politike proizvođača EGO potražite na internetskoj stranici egopowerplus.eu.

სრულად გაეცანით ინსტრუქციას!



გაეცანით მომხმარებლის ინსტრუქციას

უსაფრთხოების წესის სიმბოლოები

ელექტრო ხელსაწყოს გამოყენებისას შესაძლოა უცხო სხეულის თვალების მიდამოში მოხვედრა, რამაც შესაძლოა გამოიწვიოს თვალის მნიშვნელოვანი დაზიანება. ელექტრო ხელსაწყოს გამოყენებამდე აუცილებლად მორიგეთ უსაფრთხოების თვალსაფარი ან სათვალე სახის გვერდითა ნაწილების და მთლიანი სახის დამცავი ეკრანით, საჭიროების შემთხვევაში. ჩვენ რეკომენდაციას ვუწევთ ხედვის ფართო არეალის მქონე უსაფრთხოების ნიღაბს სათვალეებთან ერთად ან სტანდარტულ გვერდითა დამცავის მქონე უსაფრთხოების სათვალეებთან ერთად გამოსაყენებლად.



სიგნალი საფრთხის შესახებ

გაიკეთეთ თვალის დამცავი - ყოველთვის მორიგეთ უსაფრთხოების თვალსაფარი ან გვერდითა ეკრანების მქონე უსაფრთხოების სათვალე და მთლიანი სახის დამცავი ხელსაწყოთი სარგებლობისას.



გაიკეთეთ ყურების დამცავი - ყოველთვის გაიკეთეთ ყურების დამცავი ამ პროდუქტით სარგებლობისას.



ელექტრო პროდუქტის ნარჩენები არ გადაყაროთ საყოფაცხოვრებო ნარჩენებთან ერთად. წაიღეთ შესაბამის გადამამუშავებელ საწარმოში.



დაზიანების რისკის შესამცირებლად მომხმარებელმა უნდა წაიკითხოს მომხმარებლის ინსტრუქცია.

IPX4

წყლის შეშხეფებისგან დაცვა



გარანტირებული ხმის სიმძლავრის დონე.



ყურადღებით იყავით გამოტყორცნილ სხეულებთან მიმართებით - შესაძლოა მოხდეს გამოტყორცნილი სხეულების რიკომეტი, რამაც შეიძლება გამოიწვიოს პირადი ან ქონებრივი ზიანი. დარწმუნდით, რომ ხელსაწყოთი სარგებლობისას სხვა ადამიანები ან შინაური ცხოველები იმყოფებიან ბალახის საკრეჭისგან მოშორებით.



არ გამოიყენოთ ლითონის საჭრელი პირები ბალახის საკრეჭზე

KA



დაიცავით უსაფრთხო დისტანცია - ხელსაწყოსა და სხვა პირებს შორის უსაფრთხო დისტანცია არის მინიმუმ 15 მეტრი



ჭრის სიგანე - ელექტრო სათიბის
მაქსიმალური თიბვის სიგანე



ძუის დიამეტრი - მთიბავი
ნეილონის ძუის დიამეტრი



მოხსენით აკუმულატორის
ბლოკი ბალახის საკრეჭს
ტექნომასაზურებამდე ან წმენდის
პროცესის დაწყებამდე
აღნიშნული პროდუქტი
აკმაყოფილებს გაერთიანებული
სამეფოს კანონმდებლობით
დადგენილ მოთხოვნებს.

**UK
CA**

- ა ამპერი
- სმ სანტიმეტრი
- === მულტივი დენი



მოწყობილობა შეესაბამება EC-ის
მოქმედ რეგულაციებს.

3 ძაბვა

- მმ მილიმეტრი
- კგ კილოგრამი
- ... /წთ წუთში

სპეციფიკაციები

ძაბვა	56 ვოლტი ===
სიჩქარე უკმი სვლისას	დაბალი სიჩქარის დიაპაზონი: 3500- 4800 წთ ⁻¹
	მაღალი სიჩქარის დიაპაზონი: 4000- 5500 წთ ⁻¹
ჭრის ხაზის მექანიზმი	ხაზის IQ კვება
ჭრის ხაზის ტიპი	2.4 მმ სისქის ნეილონის დაგრეხილი ხაზი
ჭრის სიგანე	40 სმ
რეკომენდებული საექსპლუატაციო ტემპერატურა	0°C - 40°C
რეკომენდებული დასაწყობების ტემპერატურა	-20°C-70°C
წონა (აკუმულატორის ბლოკის გარეშე)	3.5 კგ
გაზომილი ხმის სიმძლავრის დონე L _{WA}	90 დბ(A) K=2,5 დბ(A)
ბგერის წნევის დონე მომხმარებლის ყურთან მიმართებით L _{PA}	77 დბ(A) K=3 დბ(A)

გარანტირებული ხმის სიმძლავრის დონე L _{WA} (გაზომილი 2000/14/ EC რეგულაციის მიხედვით)		92 დბ(A)
ვიბრაციის შეფასება a _h	წინა სახელური	3,9 მ/წმ ² K=1.5 მ/წმ ²
	უკანა სახელური	2,7 მ/წმ ² K=1.5 მ/წმ ²

- მითითებული ვიბრაციის სრული
სიდიდე გაზომილია სტანდარტული
ტესტირების მეთოდის გამოყენებით
და შესაძლოა გამოყენებულ იქნას ერთი
მოწყობილობის მეორესთან შედარებისას;
- მითითებული ვიბრაციის სრული
სიდიდე ასევე შესაძლოა გამოყენებულ
იქნას ზემოქმედების წინასწარი
შეფასებისას.

შენიშვნა: ელექტრო ხელსაწყოს
ფაქტობრივი გამოყენებისას ვიბრაციის
ემისია შესაძლოა განსხვავდებოდეს
მითითებული სიდიდისგან; მომხმარებელმა
მოწყობილობით სარგებლობისას საჭიროა
გამოიყენოს ხელთათმანები და სმენის
დამცავი საშუალებები.

აღწერა

შეისწავლეთ თქვენი ბალახის საკრეჭი (ნახ. A1)

1. რეგულირებადი სიჩქარის ტრიგერი
2. უკანა სახელური

KA

3. ჩამკეტი ენაკი
4. 2-სიჩქარიანი გადამრთველი
5. სიჩქარის მარკირებელი
6. სიმაღლის მარკირებელი რგოლი
7. სწრაფად რეგულირებადი წინა სახელური
8. სწრაფი გამართვისუფლების ბერკეტი
9. ანჯამა და ჩამკეტი ჭანჭიკი
10. POWERLOAD™ დილაკი
11. საკრეჭის თავაკი (LINE-IQ კვების წყაროსთან ერთად)
12. ჭრის ხაზი
13. გამშვები დილაკი
14. საჭრელის დანა
15. დამცავი ფარი
16. ამოღების მექანიზმი
17. ჩამკეტი
18. აკუმულატორის მოხსნის დილაკი
19. ექვსწახნაგა ქანჩის გასაღები
20. მხარზე ჩამოსაკიდი ღვედის მარყუჟი
21. მხარზე ჩამოსაკიდი ღვედი

შეფუთვის ჩამონათვალი (სურ. A1)

ნაკრები

▲ გაფრთხილება: თუ რომელიმე ნაწილი დაზიანებულია ან დაკარგულია, არ ისარგებლოთ მოწყობილობით, სანამ ყველა ნაწილი არ გამოიცვლება. დაზიანებული ან დაკარგული ნაწილების მქონე მოწყობილობით სარგებლობას შესაძლოა მოჰყვეს სერიოზული ზიანი.

▲ გაფრთხილება: არ სცადოთ ხელსაწყო გადაკეთება ან ისეთი ნაწილების გამოყენება, რომლებიც არაა რეკომენდირებული ამ ელექტრო სათიბისთვის. ნებისმიერი მსგავსი ცვლილება ან მოდიფიკაცია არის მოწყობილობის არასათანადო გამოყენება და შესაძლოა წარმოქმნას სახიფათო მდგომარეობა, რომელმაც შესაძლოა გამოიწვიოს სერიოზული პირადი ზიანი.

▲ გაფრთხილება: უცაბედი ჩართვის გამოსარიცხად, რომელმაც შესაძლოა

გამოიწვიოს სერიოზული პერსონალური ზიანი, ყოველთვის მოხსენით აკუმულატორი მოწყობილობას, როდესაც ხდება მისი ნაწილების აწყობა.

ტარის გაშლა

▲ გაფრთხილება: არ დაიჭიროთ ტარი შესახსრების ადგილებში, რათა თავიდან აიცილოთ ხელის ან თითების შემთხვევითი დაზიანება.

▲ გაფრთხილება: არ შეეცადოთ საკრეჭის ჩართვას, სანამ ტარი ბოლომდე არ დაფიქსირდება.

ფრთხილად გაშალეთ ტარი, მოაქციეთ კაბელი მასში და დააფიქსირეთ იგი ჭანჭიკით შეფუთვაში არსებული ქანჩის გასაღების გამოყენებით (ნახ. B1 და B2).

დამცავი ფარის დამონტაჟება

▲ გაფრთხილება: ყოველთვის გამოიყენეთ ხელთათმანები, როდესაც ამონტაჟებთ ან ცვლით დამცავ ფარს. უფრთხილდით დამცავ ფარზე არსებულ დანას და დაიცავით ხელები, რათა არ დაიშავოთ ისინი დანის პირზე.

▲ გაფრთხილება: არ გამოიყენოთ ხელსაწყო მჭიდროდ დამაგრებული დამცავი ფარის გარეშე. დამცავი ფარი ყოველთვის უნდა იყოს დამაგრებული მოწყობილობაზე მომხმარებლის დასაცავად! როდესაც დამცავი დამაგრებულია, არ შეეცადოთ მოხსნათ ან შეასწოროთ დამცავი ფარის პოზიცია, თუ საჭიროა მისი შეცვლა, ეს უნდა შეასრულოს კვალიფიციურმა მომსახურე ტექნიკოსმა!

იხე დაიჭირეთ საკრეჭი, რომ მისი თავაკი ზედა მხარეს მოხვდეს (ნახ. C1). გაუსწორეთ დამცავი ფარის სამონტაჟო ნასვრეტები ხრახნების ბუდეებს და მჭიდროდ დაამაგრეთ ფარი ტარზე ორი ხრახნის საშუალებით (ნახ. C2).

შენიშვნა: დარწმუნდით, რომ დამცავი ფარი დამაგრებულია, როგორც ნაჩვენებია ნახ. C1 და C2-ზე, ნებისმიერი სხვაგვარი დამაგრება არის სახიფათო!

ნინა სახელურის დამონტაჟება და დარეგულირება

1. მოუშვით და ამოიღეთ სწრაფი გამოთავისუფლების ბერკეტი და ქანჩყურა წინა სახელურიდან (ნახ. D1).

D1-1	წინა სახელური	D1-2	დამჭერი ბლოკი
D1-3	ქანჩყურა	D1-4	სწრაფი გამოთავისუფლების ბერკეტი

2. ჩასვით წინა სახელური ტარზე სიმაღლის დამაფიქსირებელ რგოლს და ანჯამას შორის არსებულ დასამონტაჟებელ ზონაში (ნახ.D2).
3. ჩასვით დამჭერი ბლოკი სახელურის ნახვრეტში (ნახ.D3).
4. დაამაგრეთ სწრაფი გამოთავისუფლების ბერკეტი და ნაწილობრივ მოუჭირეთ ქანჩყურას საშუალებით. დარწმუნდით, რომ წინა სახელური არის მოტრიალებული ზედა მხარეს და მიმართულია უკანა სახელურის ზევითა ნაწილისკენ (ნახ.D4).
5. ასწიეთ სწრაფი გამოთავისუფლების ბერკეტი ზევით, რომ გადაადგილოთ / გადაატრიალოთ წინა სახელური კომფორტულ სამუშაო მდგომარეობაში, შემდეგ კი ჩაკეტეთ სწრაფი გამოთავისუფლების ბერკეტი (ნახ.ატი. D5).

შენიშვნა: წინა სახელური უნდა განთავსდეს ტარზე მხოლოდ სამონტაჟო ზონის ფარგლებში.

⚠ გაფრთხილება: ხელსაწყო გამოყენება დაუშვებელია რეგულირებადი წინა სახელურის მჭიდროდ დამაგრების გარეშე.

საკრეჯის სიმაღლის დარეგულირება

თუ ტარის სიგრძე მუშაობისთვის არ არის მისაღები, შესაძლოა მისი რეგულირება სიმაღლის მავიქსირებელი მომჭერი რგოლის საშუალებით.

1. მოხსენით აკუმულატორი ელექტრო საკრეჯს.
2. საკრეჯის სიმაღლის დასარეგულირებლად (მაგ.: ტარის სიგრძე) გახსენით სიმაღლის მავიქსირებელი მომჭერი რგოლი

და გაასრიალეთ ტარი მაღლა ან დაბლა სასურველ სიგრძემდე, შემდეგ დააფიქსირეთ იგი სიმაღლის დასაფიქსირებელი რგოლის საშუალებით (ნახ.E).

E-1	სიმაღლის მავიქსირებელი რგოლი
-----	------------------------------

შენიშვნა: წინა სახელურის პოზიციის ცვლილება შესაძლოა გახდეს საჭირო საკრეჯის ტარის სიგრძის შეცვლის შემდეგ.

დასამაგრებელი მხარზე ჩამოსაკიდი ღვედი

უსაფრთხო და უკეთესი მუშაობისთვის გადაიკიდეთ ღვედი ერთ-ერთ მხარზე, ზურგის გასწვრივ.

1. მოუშვით ხრახნიანი თავაკი და ექვსწახნაგა ქანჩი მხრის ღვედის მარყუჟიდან (სურ. F1).

F1-1	ხრახნიანი თავაკი	F1-2	ექვსწახნაგა ქანჩი
F1-3	მხრის ღვედის მარყუჟი		

2. მოათავსეთ მხრის ღვედის მარყუჟი კომფორტულ სამუშაო პოზიციაში ინსტალაციის ზონაში, შემდეგ კი დააფიქსირეთ იგი ხრახნიანი ღვედის და ექვსწახნაგა ქანჩის გამოყენებით.
3. დაუწიეთ მხრის ღვედის შტუცერს, რათა გახსნათ იგი და მიაგროთ მხრის ღვედი მარყუჟის ნახვრეტში (ნახ. F2).
4. დაარეგულირეთ მხრის ღვედის სიგრძე და მოათავსეთ კომფორტულ სამუშაო პოზიციაში.

⚠ გაფრთხილება: როდესაც ხდება გაუთვალისწინებელი შემთხვევა, მაშინვე მოიხსენით ღვედი მხრიდან, მიუხედავად იმისა თუ რომელ მხარზე მდებარეობს იგი.

თქვენ არ უნდა გამოიყენოთ ერთდროულად ორივე, ერთმაგი და ორმაგი მხარზე სამაგრ ღვედი.

ღვედის ტარების დროს არცერთმა სხვა სატარებელმა არ უნდა შეუშალოს ხელი ღვედის გახსნას და მოხსნას.

ექსპლუატაცია

KA

▲ გაფრთხილება: ყოველთვის მოირგეთ უსაფრთხოების თვალსაფარი ან გვერდითა ეკრანების მქონე უსაფრთხოების სათვალე, სმენის დამცავი საშუალებასთან ერთად. ამ ინსტრუქციის უგულვებელყოფამ შესაძლოა გამოიწვიოს სხვადასხვა სხეულის თვალში მოხვედრა და სხვა შესაძლო სერიოზული ზიანი.

გასწორება: ბალახის და სარეველას მოთიბვა ტერასის, ღობის ან აივნის გარშემო.

ჭრა: გამოიყენება ისეთი ბალახის მოსათიბად, რომელიც რთულადა მისადგომია ჩვეულებრივი ბალახის საკრეჭისთვის.

აკუმულატორის ჩამაგრება/მოხსნა

გამოიყენეთ მხოლოდ ნახ. A2-ში ჩამოთვლილი EGO-ს აკუმულატორის ბლოკები და დამტენები.

სრულად დატენეთ პირველად გამოყენებამდე. დამაგრება

გაუსწორეთ აკუმულატორის სამაგრები ბუდის ნასვრეტებს და დააწეით აკუმულატორის ბლოკს, სანამ არ გაიგებთ „დაწკაპუნების“ ხმას (სურ.G1).

მოხსნა

დააჭირეთ აკუმულატორის მოხსნის ღილაკს და ამოიღეთ აკუმულატორი (სურ.G2).

ბალახის საკრეჭის დაჭერის წესი (ნახ.H)

უსაფრთხო და უკეთესი მოხმარებისთვის, გადაიკიდეთ ჩამოსაკიდი ღვედი მხარზე. საკრეჭით სარგებლობამდე დაარეგულირეთ მხრის ღვედის სიგრძე და მოათავსეთ კომფორტულ მუშა პოზიციაში - დაიჭირეთ საკრეჭი ორივე ხელით: ერთი ხელი უკანა სახელურზე, ხოლო მეორე - წინა სახელურზე.

შენიშვნა: სათიბის თავაკი უნდა იყოს მიწის ზედაპირის პარალელურად, სათანადო საკრეჭ მანძილზე დაშორებით, მომხმარებლის გადახრის გარეშე.

▲ გაფრთხილება: გაუთვალისწინებელი შემთხვევის დროს მაშინვე მოიხსენით ღვედი მხრიდან, მიუხედავად იმისა, თუ რომელ მხარზე გაქვთ იგი.

ბალახის საკრეჭის ჩართვა/გამორთვა (ნახ. I) ჩართვა

გადაწიეთ ჩამკეტი ენაკი წინ, ხოლო შემდეგ კი დააწეით რეგულირებადი სიჩქარის ტრიგერს.

ტრიგერი უსაფეხუროა და განკუთვნილია სიჩქარის დარეგულირებისთვის. რაც მეტად დააწევით ტრიგერს, მით მეტია სიჩქარე.

I-1	ჩამკეტი ენაკი	I-2	რეგულირებადი სიჩქარის ტრიგერი
-----	---------------	-----	-------------------------------

გაჩერება

აუშვით რეგულირებადი სიჩქარის ტრიგერი.

სიჩქარის რეგულირების ფუნქცია (ნახ. J)

ბალახის საკრეჭს აქვს სიჩქარის ორი რეჟიმი. დააჭირეთ 2 სიჩქარიან გადამრთველს, რათა შეცვალოთ ჭრის სიჩქარე დაბალს და მაღალს შორის.

სიჩქარის მაჩვენებელი აჩვენებს სიჩქარის აქტიურ სტატუსს: ერთი ნათება დაბალი სიჩქარის შემთხვევაში და ორი ნათება მაღალი სიჩქარის შემთხვევაში. დაბალი სიჩქარის დიაპაზონი უზრუნველყოფს საკრეჭის უკეთეს კონტროლს და უფრო ხანგრძლივ სამუშაო დროს თითო დატენვაზე.

J-1	სიჩქარის მაჩვენებელი	J-2	2-სიჩქარიანი გადამრთველი
-----	----------------------	-----	--------------------------

ბალახის საკრეჭის გამოყენება

გაასუფთავეთ გასათიბი არე მუშაობის დაწყებამდე. მოაცილეთ ყველა საგანი, როგორცაა ქვები, დამტვრეული მინა, ლურსმანი, სადენი ან ბაწარი, რომელიც შესაძლოა ჩაყვას ან დაეხვიოს ხელსაწყოს მჭრელ ნაწილს. მოარიდეთ სამუშაო ადგილს ბავშვები, სხვა პირები და შინაური ცხოველები. დარწმუნდით, რომ ბავშვები, სხვა ადამიანები ან შინაური ცხოველები იმყოფებიან მინიმუმ 15 მ მოშორებით; არსებობს გატყორცნილი საგნებით გვერდზე მდგომი პირების დაზიანების რისკი. გვერდზე მდგარი პირებისთვის რეკომენდებულია თვალის დამცავი საშუალებების გამოყენება. თუ თქვენ სხვა პირი მოგიახლოვდათ, დაუყონებლივ

KA

გააჩერეთ ძრავი და საკრეჭი მოწყობილობა.

ყოველი გამოყენების წინ შეამოწმეთ დაზიანებული/გაყვანილი ნაწილების არსებობა

შეამოწმეთ საკრეჭის თავაკი, დამცავი, მხრის ღვედი, მხრის ღვედის მარყუჭი და წინა სახელური. შეცვალეთ ყველა ნაწილი, რომლებიც გაზზარულია, გაღუნულია, აქვს შეცვლილი ფორმა ან დაზიანებულია სხვაგვარად.

დამცავ ეკრანის კიდესთან განთავსებული საჭრელი დანა შესაძლოა დაჩაღუნდეს დროთა განმავლობაში. რეკომენდებულია მისი გაღესვა პერიოდულად ქლიბის საშუალებით ან ახალი დანის დამონტაჟება.

▲ გაფრთხილება: ყოველთვის გამოიყენეთ ხელთათმანები, როდესაც ამონტაჟებთ ან ცვლით დამცავ ფარს ან ლესავთ ან ცვლით საჭრელ დანას. გაითვალისწინეთ დამცავ ფარზე მიმგარებული დანის პოზიცია და დაიცავით ხელი გაჭრისგან.

შეამოწმეთ ტრიმერის თავაკის ბლოკირება

- დაბლოკვის თავიდან ასაცილებლად, იქონიეთ ტრიმერის თავაკი სუფთა მდგომარეობაში. ამოიღეთ ბალახის ნარჩენები, ფოთლები, ჭუჭყი და სხვა დაგროვილი ნარჩენები ყოველი გამოყენების წინ და შემდეგ.
- თუ მოწყობილობა დაგებლოკათ, გამორთეთ ელექტრო სათიბი, მოხსენით აკუმულატორი, შემდეგ მოაცილეთ ბალახი, რომელიც დახვეულია მოტორის ლილვსა და სათიბის თავაკზე.

ყოველი გამოყენების შემდეგ გაასუფთავეთ ბალახის საკრეჭი.

საკრეჭი ხაზის სიგრძის რეველირება

Line-IC კვების წყაროს საკრეჭი თავაკი აღჭურვილია მოწინავე ტექნოლოგიით.

თუ ჭრის ხაზის რომელიმე ბოლო 18 სმ-ზე ნაკლებზე გაცვდება, საკრეჭის თავაკი ავტომატურად გაათავისუფლებს საჭრელ ხაზს, ხოლო საჭრელი ხაზის დამატებით ნაწილს მოჭრის ხაზის საჭრელი დანა (Fig. K).

შენიშვნა: საჭრელი ხაზის გასაშვებად საჭირო არ არის საკრეჭის თავაკის შეხება.

თუ ბალახის ჭრისას მცირე ცახცახს იგრძნობთ, ამ დროს ხდება საჭრელი ხაზის ავტომატური გამოშვება.

▲ გაფრთხილება: არ მოხსნათ ან შეცვალოთ საჭრელი ხაზის დანის კონსტრუქცია. საჭრელი ხაზის ზედმეტი სიგრძე გამოიწვევს ძრავის გადახურებას, რამაც შესაძლოა მოგაყენოთ სერიოზული ზიანი.

ხაზის გამოკვლა

შეტყობინება: ყოველთვის გამოიყენეთ რეკომენდებული ნეილონის სათიბი ხაზი, რომლის დიამეტრი არ აღემატება 2.4 მმ-ს.

მითითებულისგან განსხვავებული ტიპის ხაზის გამოყენებამ შესაძლოა გამოიწვიოს ხელსაწყო გადახურება და დაზიანება.

▲ გაფრთხილება: არასოდეს გამოიყენოთ ლითონის არმირების მქონე მავთული, ზონარი, თოკი და სხვ. ისინი შესაძლოა გაწყდეს და წარმოქმნას სახიფათო გამოტყორცნილი ხეულები.

ბალახის საკრეჭი აღჭურვილია მოწინავე POWERLOAD™ სისტემით. საკრეჭი ხაზის დახვევა კოჭაზე შესაძლებელია უზრალოდ დილაკზე დაჭერით. კოჭაზე სრულად დახვევა შესაძლებელია 12 წამში. **მოერიდეთ დამხვევი სისტემის განმეორებით გამოყენებას ხშირი თანმიმდევრობით, რათა შეამციროთ ძრავის დაზიანების რისკი.**

1. მოხსენით აკუმულატორის ბლოკი.
2. მოჭერით ერთი საჭრელი ხაზი 4 მ სიგრძეზე.
3. ჩასვით ხაზი ხვრელში (ნახ. L1) და მიაწეკით, სანამ მისი ბოლო არ გამოვა მოპირდაპირე ხვრელიდან.

L1-1	საჭრელი ხაზი	L1-2	ხვრელი
------	--------------	------	--------

შეტყობინება: საჭირო არ არის ხვრელების გასწორება საჭრელი ხაზის ჩასასმელად. თუ ნახვრეტში ხაზის ჩასმა შეუძლებელია, დაამონტაჟეთ აკუმულატორის ბლოკი საკრეჭოზე, შემდეგ სწრაფად დააჭირეთ POWERLOAD დილაკს, რათა გადატვირთოთ დახვევის მექანიზმი.

KA

4. მოხსენით აკუმულატორის ბლოკი, თუ იგი დამაგრებულია საკრეჭზე მე-3 ეტაპზე.
5. ამოქაჩეთ ხაზი მეორე მხრიდან, სანამ სათიბის თავაკის ორივე მხარეს თანაბარი სიგრძის ხაზი არ გამოჩნდება (ნახ. L2).
6. დაამაგრეთ აკუმულატორის ბლოკი ბალახის საკრეჭზე.
7. დააჭირეთ და დააყოვნეთ თითო POWERLOAD -ის ღილაკზე, რათა ჩართოთ ხაზის დამხვევი ძრავი. ხაზი დაეხვევა საკრეჭის თავაკზე განუწყვეტლევ.
8. დააკვირდით დარჩენილი ხაზის სიგრძეს ყურადღებით. მოემზადეთ ღილაკის გასაშვებად როგორც კი დაახლოებით 22 სმ სიგრძის ხაზი დარჩება ორივე მხარეს. მცირე ხნით დააწეეთ დახვევის ღილაკს, რათა დაარეგულიროთ ისე, რომ დაახლოებით 18 სმ სიგრძის ხაზი დარჩეს ორივე მხარეს (სურ. L3).

შეტყობინება: თუ ხაზი შემთხვევით ჩაითრია საკრეჭის თავაკმა, მოხსენით თავაკი და მოქაჩეთ იგი კოჭიდან. მიყევით სახელმძღვანელოს „საჭრელი ხაზის ხელახლა დახვევის“ ნაწილს, რათა ხელით ჩატვირთოთ ხაზი.

საჭრელი ხაზის ხელახლა დახვევა

შეტყობინება: როდესაც მჭრელი ხაზი გაიჭედება სათიბის თავაკში, თქვენ უნდა ამოიღოთ ხაზის დარჩენილი ნაწილი და განახორციელოთ ქვემოთ მითითებული ქმედებები ხელახლა ჩასატვირთად.

1. მოხსენით აკუმულატორის ბლოკი.
2. დააჭირეთ ბალახის საკრეჭზე არსებულ გამშვებ ღილაკებს და მოხსენით ქვედა ხუფი მისი ამოქაჩვის გზით (სურ. M1 & M2).

3. მოხსენით საჭრელი ხაზი ბალახის საკრეჭის თავაკიდან.
4. ერთი ხელით დაიჭირეთ ბალახის

საკრეჭი, მეორეთი - ქვედა ხუფი და გაუსწორეთ ქვედა ხუფის ნასვრეტები გამშვებ ღილაკებს. ჩასვით ქვედა ხუფი, სანამ იგი არ ჩაჯდება ადგილში, რა დროსაც გაიგებთ წკაპანის ხმას (ნახ. M3).

M3-1	გამშვები ღილაკი	M3-2	ნასვრეტი
------	-----------------	------	----------

5. მიყევით ინსტრუქციებს სექციაში „ხაზის გამოცვლა“, რათა ხელახლა დაახვიოთ საჭრელი ხაზი.

ბალახის საკრეჭის თავაკის გამოცვლა

▲ გაფრთხილება: თუ თავაკი მორყევა საკუთარ ადგილზე დამაგრების შემდეგ, დაუყონებლივ გამოცვალეთ ეს ნაწილი. არასოდეს გამოიყენოთ ხელსაწყო მორყეულად დამაგრებული საკრეჭი ნაწილით. გამოცვალეთ გაზზარული, დაზიანებული ან გაცვეთილი თავაკი დაუყონებლივ, მიუხედავად იმისა, რამდენად ზედაპირული შეიძლება ჩანდეს ზზარები. მსგავსი ნაწილები შესაძლოა დაიმსხვრეს მაღალ ბრუნებზე და მოგაყენოთ სერიოზული ზიანი.

გაყვანილი ბალახის საკრეჭის თავაკს (ნახ. N1)

N1-1	ქვედა ხუფი	N1-2	ქანჩი
N1-3	კოჭას კომპლექტი	N1-4	მილისი

ბალახის საკრეჭის თავაკის მოხსნა

1. მოხსენით აკუმულატორის ბლოკი.
2. დააჭირეთ ბალახის საკრეჭის თავაკზე არსებულ გამშვებ ღილაკებს და მოხსენით ქვედა ხუფი ამოქაჩვის გზით (იხ. ნახ. M1 და M2).
3. მოხსენით საჭრელი ხაზი ბალახის საკრეჭის თავაკიდან (ნახ. N2).
4. ჩაიცვით ხელთათმანები ერთი ხელით დაიჭირეთ კოჭა დასაბალანსებლად და მეორე ხელით სარტყამი ქანჩსახრახნი (არ არის კომპლექტში), რათა მოხსნათ ქანჩი საათის ისრის საწინააღმდეგო მიმართულებით დატრიალებით (ნახ. N3).

KA

M1-1	გამშვები ღილაკი	M1-2	ქვედა ხუფი
------	-----------------	------	------------

N3-1	ქანწი	N3-2	სარტყამი ქანწისაბრახნი (არ შედის)
------	-------	------	-----------------------------------

5. მოხსენით კოჭას კომპლექტი და მილისი ძრავის ლილვიდან. შეინახეთ მილისი მოგვიანებით დასაყენებლად.
6. შეცვალეთ ახალი საკრეჭი თავაკით და დამაგრეთ ის შემდეგი ნაბიჯების მიდევნებით.

ახალი საკრეჭი თავაკის დამონტაჟება

1. მორგეთ მილისები ძრავის ლილვს და დამაგრეთ კოჭის კომპლექტი თავის ადგილას (ნახ. T). გამოიყენეთ სარტყამი ქანწისაბრახნი ქანწის მოსაჭერად.
2. მორგეთ ქვედა ხუფი (იხილეთ ნახ. M3).
3. ხელახლა დაახვიეთ საჭრელი ხაზი.
4. ჩართეთ ხელსაწყო, რათა შეამოწმოთ მუშაობს თუ არა ბალახის საკრეჭი ნორმალურად. თუ ის არ მუშაობს ნორმალურად, ხელახლა ააწყვეთ იგი ზევით მითითებული სახით.

ტექნიკური მომსახურება

▲ გაფრთხილება: ტექნიკური მომსახურებისას გამოიყენეთ მხოლოდ იდენტური სათადარიგო ნაწილები. სხვა ნებისმიერი ნაწილის გამოყენებამ შესაძლოა შექმნას საფრთხე ან გამოიწვიოს მოწყობილობის დაზიანება. მოწყობილობის უსაფრთხო და გამართულად მუშაობისთვის საჭიროა მისი ყველა შეკეთება და ნაწილის შეცვლა მოხდეს კვალიფიციური სერვისის ტექნიკოსის მიერ.

▲ გაფრთხილება: სერიოზული დაზიანებისგან თავის არიდების მიზნით ტექნომსახურებამდე, გაწმენდამდე, მოწყობილობიდან მასალის მოშორებამდე მოხსენით აკუმულატორის ბლოკი ხელსაწყოდან.

▲ ყურადღება: საპაერო ხერელების დახმობა ხელს უშლის ჰაერის შედინებას ძრავის კორპუსში და გამოიწვევს მის გადახურებას და დაზიანებას.

ხელსაწყოს განწმენის წესი

- გაწმინდეთ ხელსაწყო ნოტიო ქსოვილით

და რბილი სარეცხი საშუალებით. არასდროს დაუშვით ხელსაწყოში სითხის შეღწევა; არასდროს მოათავსოთ ხელსაწყოს რაიმე ნაწილი სითხეში.

- არ გამოიყენოთ ძლიერი გამწმენდი საშუალებები პლასტმასის ბუდეზე ან სახელურზე. ისინი შესაძლოა დაზიანდეს ისეთი არომატიზატორებით, როგორცაა ნაძვის ან ლიმონის ზეთი, ან ნავთის ტიპის გამხსნელი საშუალებებით. სინესტემ ასევე შეიძლება შექმნას ელექტრული შოკის საფრთხე. რბილი, მშრალი ქსოვილით მოწმინდეთ ხელსაწყოს ნებისმიერი ნესტი.
- გამოიყენეთ მცირე ფუნჯი ან პატარა მტვერსასრუტის ჰაერის ჭავლი, რათა გაწმინდოთ ხელსაწყოს საპაერო ხერელები ბუდის უკანა მხარეს.
- არ დაახმოთ ხელსაწყოს საპაეროები.

საჭრელი ხაზის დანის გალესვა

▲ გაფრთხილება: ყოველთვის დაიცავით თქვენი ხელები დამცავი ხელთათმანებით, როცა საჭრელი ხაზის დანას უტარებთ ნებისმიერ ტექნომსახურებას.

1. მოუშვით ორ ხრახნს და მოხსენით საჭრელი ხაზის დანა დამცავი ბულიდან (სურ. O).

O-1	ხრახნები	O-2	საჭრელი ხაზის დანა
-----	----------	-----	--------------------

2. მჭიდროდ დამაგრეთ დანა გირაგში.
3. ფრთხილად გაქლიბეთ დანის მჭრელი პირები ქლიბით ან სალესი ქვით, განსაკუთრებული ყურადღება მიაქციეთ მჭრელი დანის საწყისი დახრის კუთხის შეინარჩუნებას.
4. მოათავსეთ დანა დამცავ ეკრანზე და დამაგრეთ ორი ხრახნით.

ნიეთის შენახვა

- მოხსენით აკუმულატორი ელექტრო საკრეჭს.
- საფუძვლიანად გაწმინდეთ ხელსაწყო შენახვამდე.
- შეინახეთ ხელსაწყო მშრალ, კარგად განიავებად ადგილას ჩაკეტილ ან მაღლა

KA

განთავსებულ სათავსოში, ბავშვებისთვის მიუწვდომელ ადგილას. არ შეინახოთ ხელსაწყო სასუქის, ბენზინის და სხვა ქიმიური ნივთიერებების სიახლოვეს.

გარემოს დაცვა



არ მოათავსოთ ელექტრო მოწყობილობა, ნახმარი დამტენი და აკუმულატორი საყოფაცხოვრებო ნაგავში! მიუტანეთ პროდუქტი ნარჩენების ავტორიზირებულ გადამამუშავებელს და უზრუნველყავით ასეთი ნარჩენის განცალკევებულად შეგროვება. ელექტრო ხელსაწყოები უნდა ჩაბარდეს ნარჩენების გადამამუშავებელ ობიექტს.

დიაგნოსტიკა

პრობლემა	მიზეზი	გადაჭრის გზა
ბალახის საკრეჭი არ ირთვება.	<ul style="list-style-type: none"> ■ აკუმულატორის ბლოკი არ არის შეერთებული საკრეჭთან. ■ საკრეჭსა და აკუმულატორს შორის არ არის ელექტრო კონტაქტი. ■ აკუმულატორი დაცლილია. ■ ჩამრთველი არ არის გადაწეული წინ რეგულირებადი სიჩქარის ტრიგერზე თითის დაჭერამდე. ■ ძრავის ღერძი ან საკრეჭის თავაკი ბალახშია გახლართული. 	<ul style="list-style-type: none"> ■ მიუერთეთ აკუმულატორი სათიბს. ■ მოხსენით აკუმულატორი, შეამოწმეთ კონტაქტები და კვლავ მოათავსეთ იგი უკან. ■ დატენეთ აკუმულატორი. ■ გადაწიეთ ჩამკეტი ენაკი წინ, ხოლო შემდეგ კი დააწეით რეგულირებადი სიჩქარის ტრიგერს. ■ მოაცილეთ ბალახი ძრავის ღერძს და საკრეჭის თავაკს.
ბალახის საკრეჭი წყვეტს მუშაობას მუშაობის პროცესში.	<ul style="list-style-type: none"> ■ დამცავი ეკრანი არაა დამონტაჟებული საკრეჭზე, რის გამოც საკრეჭი ხაზი არის უზომოდ გრძელი და ძრავი გადატვირთული. ■ გამოყენებულია მძიმე საჭრელი ხაზი. ■ აკუმულატორის ბლოკი ან ბალახის საკრეჭი გადაცხელებულია. ■ აკუმულატორის ბლოკი მოხსნილია ხელსაწყოდან. ■ აკუმულატორი დაცლილია. 	<ul style="list-style-type: none"> ■ მოხსენით აკუმულატორის ბლოკი და დაამონტაჟეთ დამცავი ეკრანი საკრეჭზე. ■ გამოიყენეთ რეკომენდებული ნეილონის საკრეჭი ხაზი, რომლის დიამეტრი არაუმეტეს 2.4 მმ -ია. ■ გააგრილეთ აკუმულატორი ან ბალახის საკრეჭი. ■ ხელახლა ჩასვით აკუმულატორი. ■ დატენეთ აკუმულატორი.

პრობლემა	მიზეზი	გადაჭრის გზა
საკრეჭის თავაკი არ უშვებს ხაზს.	<ul style="list-style-type: none"> ■ ძრავის ღერძი ან საკრეჭის თავაკი ბალახშია გახლართული. ■ კოჭაზე არასაკმარისი ოდენობის საჭრელი ხაზი არის დარჩენილი ან ხაზი წყდება ნასვრეტთან. ■ საჭრელი ხაზი გადახლართულია. ■ საჭრელი ხაზი საკმარისზე მოკლეა. ■ გამოყენებულია მძიმე საჭრელი ხაზი. ■ საკრეჭის თავაკის გაუმართაობა. 	<ul style="list-style-type: none"> ■ გამორთეთ საკრეჭი, მოხსენით აკუმულატორი, გაწმინდეთ ძრავის ლილვი და საკრეჭის თავაკი. ■ მოხსენით აკუმულატორი და შეცვალეთ საჭრელი ხაზი, ინსტრუქციის „ხაზის გამოცვლის“ ნაწილის შესაბამისად. ■ მოხსენით აკუმულატორი; მოხსენით საჭრელი ხაზი საკრეჭის თავაკიდან და დაახვიეთ ინსტრუქციის „ხაზის გამოცვლის“ ნაწილის შესაბამისად. ■ მოხსენით აკუმულატორი და მოჭაჩეთ საჭრელი ხაზი ხელით, თან შიგადაშოგ დააწექით და აუშვით ხელი სათიბის თავაკს. ■ გამოიყენეთ რეკომენდებული ნეილონის საკრეჭი ხაზი, რომლის დიამეტრი არაუმეტეს 2.4 მმ -ია. ■ მიმართეთ EGO-ს კლიენტთა მომსახურების ცენტრს დახმარებისთვის.
საკრეჭის თავაკი ავტომატურად აგრძელებს საჭრელი ხაზის გამოშვებას.	<ul style="list-style-type: none"> ■ გამოიყენებულია მსუბუქი საჭრელი ხაზი. 	<ul style="list-style-type: none"> ■ გამოიყენეთ რეკომენდებული ნეილონის საკრეჭი ხაზი, რომლის დიამეტრი არაუმეტეს 2.4 მმ -ია.
ბალახი დაეხვია სათიბის თავაკს და ძრავის ბუდეს.	<ul style="list-style-type: none"> ■ მაღალი ბალახის ჭრა ძირში 	<ul style="list-style-type: none"> ■ მოჭერით მაღალი ბალახი წვეროდან დაბლა, არ მოჭრათ 20 სმ-ზე მეტი სიგრძის ბალახი ერთ ჯერზე, რათა აარიდოთ თავი ბალახის დახვევას.
დანა არ ჭრის ხაზს.	<ul style="list-style-type: none"> ■ დამცავ ეკრანის კიდესთან მდებარე სათიბის დანა დაჩლუნგდა. 	<ul style="list-style-type: none"> ■ მიჰყევით ინსტრუქციას, რათა გალესოთ სათიბის დანა ქლიბის საშუალებით ან ახალი დანა დაამონტაჟეთ.

KA

პრობლემა	მიზეზი	გადაჭრის გზა
საკრეჭის თავაკეზე ზზარებია	<ul style="list-style-type: none"> საკრეჭის თავაკი გაცვეთილია. 	<ul style="list-style-type: none"> შეცვალეთ საკრეჭის თავაკი დაუყონებლივ ამ სახელმძღვანელოში მოცემული „საკრეჭის თავაკის შეცვლა“ მითითებების შესაბამისად.
საჭრელი ხაზი ვერ ეხვევა სათიბის თავაკს სათანადო წესით.	<ul style="list-style-type: none"> გამოყენებულია არასათანადო საჭრელი ხაზი. გაკრეჭილი ბალახის ან ტალახის ნარჩენები დაგროვდა სათიბის თავაკში და კოჭის მოძრაობა შეფერხებულია. ძრავი გადახურებულია დახვევის სისტემის მუდმივი გამოყენების შედეგად. აკუმულატორის დაბალი სიმძლავრე საჭრელი ხაზი არ არის დახვეული კოჭას კომპლექტში. საკრეჭის თავაკი დაზიანებულია. 	<ul style="list-style-type: none"> ჩვენ გირჩევთ გამოიყენოთ EGO-ს ორიგინალი ნეილონის საჭრელი ხაზი. თუ იყენებთ EGO-ს წარმოების ნეილონის საჭრელ ხაზს და კვლავ აწყდებით იგივე პრობლემას, გაუკავშირდით EGO-ს მომხმარებელთა მომსახურების ცენტრს რჩევისთვის. მოხსენით აკუმულატორი, გახსენით საკრეჭის თავაკი და გაწმინდეთ იგი საგულდაგულოდ. ამუშავეთ ბალახის საკრეჭი დატვირთვის გარეშე ორიოდე წუთით, რათა ძრავი გაგრილდეს, ხოლო შემდეგ ხელახლა ჩატვირთეთ საჭრელი ხაზი. დატენით აკუმულატორი ამოქაჩეთ საჭრელი ხაზი და კვლავ მოათავსეთ თავის ადგილას. მიმართეთ EGO-ს კლიენტთა მომსახურების ცენტრს დახმარებისთვის.
საკრეჭი ხაზი ვერ გადის სათიბის თავაკში დამონტაჟებისას.	<ul style="list-style-type: none"> საჭრელი ხაზი გაყოფილია ან მოღუნულია ბოლოში. 	<ul style="list-style-type: none"> მოჭერით საჭრელი ხაზის გაცვეთილი ბოლო და ხელახლა ჩატვირთეთ იგი.

KA

გარანტია

EGO-ს გარანტიის მომსახურების წესი

გთხოვთ ეწვიოთ ვებ-გვერდს egopowerplus.eu, რათა მიიღოთ EGO-ს საგარანტიო მომსახურების სრული დადგენილებები და პირობები.

PROČITAJTE SVA UPUTSTVA!**PROČITAJTE PRIRUČNIK ZA RUKOVA-
OCA**

Sigurnosno upozorenje



Nosite zaštitu za oči. - Kada rukujete ovim proizvodom, uvek nosite zatvorene zaštitne naočare ili zaštitne naočare sa bočnim štitnicima i štitnik za celo lice.



Nosite zaštitu za sluh – Kada rukujete ovim proizvodom, uvek nosite zaštitu za sluh.



Otpadni električni proizvodi ne smeju da se odlažu sa otpadom iz domaćinstva. Odnosite ih u ovlašćeni centar za reciklažu.



Održavajte bezbednu udaljenost – Udaljenost između mašine i prolaznika mora biti najmanje 15 m.



Širina sečenja - Maks. širina sečenja trimera sa strunom



Odvojite bateriju od trimera sa strunom pre vršenja operacija održavanja ili čišćenja.



Ovaj proizvod je u skladu sa primenjivim zakonima UK.

A

Amperi

CM

Centimetar



Jednosmerna struja

SIGURNOSNI SIMBOL

Rukovanje svakim električnim alatom može da dovede do izbacivanja stranih predmeta ka očima, što može da dovede do ozbiljnog oštećenja očiju. Pre započinjanja rada sa električnim alatom, uvek stavite sigurnosne naočare sa bočnim štitnicima ili po potrebi masku za celo lice. Preporučujemo sigurnosnu masku Wide Vision za upotrebu preko naočara ili standardnih sigurnosnih naočara sa bočnim štitnicima.



Radi smanjenja opasnosti od povreda, korisnik treba da pročita priručnik za rukovaoca.

IPX4

Zaštita od zapluskivanja vode



Garantovani nivo zvučne snage.



Čuvajte se izbačenih predmeta – Izbačeni predmeti se mogu odbiti i izazvati telesnu povredu ili oštetiti imovinu. Osigurajte da drugi ljudi i kućni ljubimci budu udaljeni od trimera sa strunom kada je u upotrebi.



Ne koristite metalna sečiva na trimeru sa strunom.



Prečnik strune - Prečnik najlonske strune za sečenje



Ovaj proizvod je u skladu sa primenjivim Direktivama EU.

V

Napon

mm

Milimetar

kg

Kilogram

... /min

U minuti

SR

SPECIFIKACIJE

Napon	56 V ---	
Brzina bez opterećenja	Opseg male brzine: 3500-4800 min ⁻¹	
	Opseg velike brzine: 4000-5500 min ⁻¹	
Mehanizam strune za sečenje	IQ pomak strune	
Tip strune za sečenje	2,4 mm najlonska upletena struna	
Širina košenja	40 cm	
Preporučena radna temperatura	Od 0 do 40°C	
Preporučena temperatura skladištenja	Od -20 do +70°C	
Masa (bez baterije)	3,5 kg	
Izmereni nivo zvučne snage L _{WA}	90 dB(A) K=2,5 dB(A)	
Nivo zvučnog pritiska na uhu rukovaoca L _{PA}	77 dB(A) K=3 dB(A)	
Garantovani nivo zvučne snage L _{WA} (izmereno u skladu sa Direktivom 2000/14/EC)	92 dB(A)	
Procena vibracija a _h	Prednja drška	3,9 m/s ² K=1,5 m/s ²
	Zadnja drška	2,7 m/s ² K=1,5 m/s ²

- Deklarisana ukupna vrednost vibracije je izmerena u skladu sa standardnim metodom testiranja i može se koristiti za upoređivanje jednog alata sa drugim;
- Deklarisana ukupna vrednost vibracije može se koristiti i u preliminarnoj proceni izlaganja.

NAPOMENA: Emisija vibracija tokom stvarne upotrebe električnog alata može da se razlikuje od deklarisanе vrednosti u kojoj se alat koristi. Da bi se rukovalac zaštitio, korisnik bi trebalo da nosi rukavice i štitnike za uši u stvarnim uslovima korišćenja.

OPIS

UPOZNAJTE SVOJ TRIMER SA STRUNOM (slika A1)

1. Okidač varijabilne brzine
2. Zadnja drška
3. Jezičak za zaključavanje

4. 2-brzinski prekidač
5. Indikator brzine
6. Obujmica za podešavanje visine
7. Brzo podesiva prednja drška
8. Poluga za brzo oslobađanje
9. Šarka i zavrtanj za zaključavanje
10. Dugme POWERLOAD™
11. Glava trimera (sa IQ pomakom strune)
12. Struna za sečenje
13. Jezičak za otpuštanje
14. Nož za sečenje strunom
15. Štitnik
16. Mehanizam za izbacivanje
17. Bravica
18. Dugme za oslobađanje baterije
19. Inbus ključ
20. Karika remena za rame
21. Remen za rame

POPIS PAKOVANJA (SLIKA A1)

SASTAVLJANJE

⚠ UPOZORENJE: Ako su neki delovi oštećeni ili nedostaju, nemojte koristiti ovaj proizvod dok delovi ne budu zamenjeni. Korišćenje ovog proizvoda sa oštećenim ili nedostajućim delovima može dovesti do ozbiljnih telesnih povreda.

⚠ UPOZORENJE: Ne pokušavajte da modifikujete ovaj proizvod ili da pravite dodatke koji nisu preporučeni za korišćenje sa ovim trimenom sa strunom. Svaka takva promena ili modifikacija je zloupotreba i može dovesti do opasnih uslova koji mogu da dovedu do ozbiljnih telesnih povreda.

⚠ UPOZORENJE: Da biste sprečili nehotično pokretanje koje bi moglo izazvati ozbiljne telesne povrede, uvek uklonite bateriju iz mašine kada sklapate delove.

OTKLAPANJE DRŠKE

⚠ UPOZORENJE: Da biste izbegli prikleštenje ruku ili prstiju, ne držite vratilo na zglobu.

⚠ UPOZORENJE: Nemojte pokušavati da pokrenete trimen dok ne završite dršku.

Nežno rasklopite vratilo vodeći računa da kabl bude u

njemu i zaključajte ga zavrtnjem koristeći priloženi ključ (slika B1 i B2).

POSTAVLJANJE ŠTITNIKA

⚠ UPOZORENJE: Uvek nosite rukavice kad montirate ili zamenjujete štitićnik. Čuvajte se noža na štitićniku i zaštitite ruke od povrede nožem.

⚠ UPOZORENJE: Nikada ne koristite mašinu bez štitićnika čvrsto na mestu. Štitićnik mora uvek biti na mašini da bi zaštitio korisnika! Kad je štitićnik fiksiran, nikad ne pokušavajte da skinete ili podesite štitićnik; ako je potrebna zamena, nju treba da uradi kvalifikovani servisni tehničar!

Pozicionirajte trimmer tako da glava trimera bude usmerena prema gore (sl. C1). Poravnajte montažne rupe štitićnika sa rupama na sklopu pa zatim zaključajte štitićnik na bazu vratila pomoću dva vijka (slika C2).

NAPOMENA: Uverite se da je štitićnik pričvršćen u skladu sa sl. C1 i C2. Svako obrnuto pričvršćivanje izazvaće veliku opasnost!

POSTAVLJANJE I PODEŠAVANJE PREDNJE DRŠKE

1. Olabavite i uklonite polugu za brzo oslobađanje i leptir navrtanj sa prednje drške (slika D1).

D1-1	Prednja drška	D1-2	Stezni blok
D1-3	Leptir navrtka	D1-4	Poluga za brzo oslobađanje

2. Gurnite prednju dršku na vratilo u zonu montiranja između objumice za podešavanje visine i šarke (slika D2).
3. Umetnite stezni blok u prorez drške (slika D3).
4. Postavite polugu za brzo oslobađanje i malo zategnite leptir navrtku. Uverite se da je prednja drška okrenuta prema gore i da je usmerena prema gornjem delu zadnje drške (slika D4).
5. Povucite polugu za brzo oslobađanje nagore da biste pomerili/okrenuli prednju dršku u udoban radni položaj a zatim zaključajte polugu za brzo oslobađanje (slika D5).

NAPOMENA: Prednja drška treba da bude postavljena na vratilo isključivo unutar zone montiranja.

⚠ UPOZORENJE: Alat ne sme da se upotrebljava ako prednja drška nije dobro pričvršćena.

PODEŠAVANJE VISINE TRIMERA

Ako dužina vratila nije pogodna za rad, možete da je podesite pomoću objumice za podešavanje visine.

1. Izvadite komplet baterija iz trimera.
2. Za podešavanje visine trimera (tj. dužine vratila), otvorite objumicu za podešavanje visine a zatim gurnite vratilo prema gore ili dole na željenu visinu i učvrstite ga pritiskanjem objumice za podešavanje visine (slika E).

E-1	Objumica za podešavanje visine
-----	--------------------------------

NAPOMENA: Prednju dršku će možda trebati premestiti nakon menjanja visine trimera.

PRICVRŠĆIVANJE REMENA ZA RAME

Za bezbedan i bolji rad, stavite remen na jedno rame i preko leđa.

1. Olabavite vijak i inbus maticu sa karike remena za rame (slika F1).

F1-1	Vijak	F1-2	Inbus matica
F1-3	Karika remena za rame		

2. Postavite kariku remena za rame u udoban radni položaj unutar zone instalacije a zatim je fiksirajte zatezanjem vijka i inbus matice.
3. Pritisnite karabiner remena za rame da biste ga otvorili i pričvrstite remen za rame u rupu na karici remena (slika F2).
4. Podesite dužinu i mesto remena za rame u udoban radni položaj.

⚠ UPOZORENJE: Kada se desi hitan slučaj, odmah skinite uređaj sa ramena, bez obzira kako je remen namešten.

Ne bi trebalo da koristite remen za jedno rame i remen za oba ramena istovremeno.

Kada nosite naramenicu, ostala odeća ne bi trebalo da ometa njeno oslobađanje i skidanje.

RUKOVANJE

⚠ UPOZORENJE: Uvek nosite zatvorene zaštitne naočare ili zaštitne naočare sa bočnim štitićnicima zajedno sa zaštitom za sluh. Nepostupanje u skladu sa tim može da rezultira odbacivanjem predmeta u oči i drugim mogućim teškim povredama.

Trimovanje: trava i korov oko tremova, ograda i terasa.

Sečenje: trava koju je teško dosegnuti normalnom kosilicom.

POSTAVLJANJE/SKIDANJE BATERIJE

Upotrebljavajte samo baterije i punjače proizvođača EGO navedene na slici A2.

Baterije potpuno napunite pre prve upotrebe.

Postavljanje

Poravnajte rebra baterije sa prorezima za montiranje i pritisnite bateriju nadole dok ne čujete „škljoc“ (slika G1).

Skidanje

Pritisnite dugme za otpuštanje baterije i izvucite bateriju (slika G2).

DRŽANJE TRIMERA SA STRUNOM (slika H)

Radi bezbednog i boljeg rada, stavite ramenu traku preko ramena. Podesite dužinu i mesto remena za rame u udoban radni položaj – držite trimer obema rukama: jednom rukom za zadnju dršku a drugom za prednju dršku.

NAPOMENA: Glava trimera je paralelna sa tlom i na odgovarajućoj razdaljini sečenja bez saginjanja rukovaoaca.

⚠ UPOZORENJE: Kada se desi hitan slučaj, odmah skinite remen za rame sa ramena, bez obzira kako je remen namešten.

POKRETANJE/ZAUSTAVLJANJE TRIMERA SA STRUNOM (slika I)

Za pokretanje

Pomerite jezičak za zaključavanje unapred a zatim pritisnite okidač varijabilne brzine.

Okidač je kontinuirani regulator brzine. Što više povlačite okidač, brzina je veća.

I-1	Jezičak za zaključavanje	I-2	Okidač varijabilne brzine
-----	--------------------------	-----	---------------------------

Za zaustavljanje

Pustite okidač varijabilne brzine.

FUNKCIJA PODEŠAVANJA BRZINE (slika J)

Trimer sa strunom ima dve postavke brzine. Pritisnite 2-brzinski prekidač da biste promenili brzinu sečenja između male i velike.

Indikator brzine će prikazati status aktivne brzine: jednu lampicu za malu brzinu i dve lampice za veliku brzinu. Opseg male brzine omogućava bolju kontrolu nad trimrom i duže vreme rada po jednom punjenju.

J-1	Indikator brzine	J-2	2-brzinski prekidač
-----	------------------	-----	---------------------

KORIŠĆENJE TRIMERA SA STRUNOM

Očistite područje na kojem ćete seći pre svake upotrebe. Uklonite sve predmete poput kamenja, razbijenog stakla, eksera, žica ili strune koji bi mogli biti izbačeni ili zakačeni dodatkom za sečenje. Uklonite decu, prolaznike i kućne ljubimce iz područja gde ćete raditi. U najmanju ruku, držite svu decu, prolaznike i ljubimce na udaljenosti od najmanje 15 m; i dalje može postojati rizik po posmatrača od izbačenih predmeta. Posmatrača bi trebalo podstaci da nose zaštitne naočare. Ako vam neko priđe, odmah zaustavite motor i dodatak za sečenje.

Pre svake upotrebe proverite da li ima oštećenih/pohabanih delova.

Proverite glavu trimera, štitnik, remen za rame, kariku remena za rame i prednju dršku. Zamenite sve delove koji su napukli, iskrivljeni, savijeni ili na bilo koji način oštećeni.

Nož za sečenje strune na ivici štitnika može vremenom da se istupi. Preporučuje se da ga periodično naoštrite turpijom ili da ga zamenite novim nožem.

⚠ UPOZORENJE: Uvek nosite rukavice kad montirate ili zamenjujete štitnik ili kad oštrite ili zamenjujete nož za sečenje strune. Imajte u vidu lokaciju noža na štitniku i zaštitite šake od povreda.

Proverite blokiranje glave trimera

- Da biste sprečili blokadu, održavajte glavu trimera čistom. Uklonite pokošenu travu, lišće, zemlju i svu ostalu nagomilanu prijavštinu pre i posle svake upotrebe.
- Kada dođe do blokade, zaustavite trimer sa strunom i izvadite bateriju, a zatim uklonite travu koja se možda orotala oko vratila motora ili glave trimera.

Nakon svake upotrebe, očistite trimer.

PODEŠAVANJE DUŽINE STRUNE ZA SEČENJE

Glava trimera sa IQ pomakom strune je opremljena naprednom tehnologijom.

Ako se bilo koji kraj strune za sečenje potroši na manje od 18 cm tokom trimovanja, glava trimera će automatski otpustiti strunu za sečenje a višak strune za sečenje će biti odsečen nožem za sečenje strune (slika K).

NAPOMENA: Nema potrebe da lupkate glavu trimera da biste otpustili strunu za sečenje. Ako osetite blago podrhtavanje glave trimera tokom trimovanja trave, to je automatsko ispuštanje strune za sečenje.

⚠ UPOZORENJE: Ne uklanjajte niti prepravljajte sklop noža za sečenje strunom. Prekomerna dužina strune će izazvati pregrevanje motora i može da dovede do ozbiljnih telesnih povreda.

ZAMENA STRUNE

NAPOMENA: Uvek upotrebljavajte preporučenu najlonsku strunu za sečenje prečnika 2,4 mm.

Upotreba strune koja je drugačija od navedene može da prouzrokuje pregrevanje ili oštećenje alata.

⚠ UPOZORENJE: Nemojte nikada da upotrebljavate metalom ojačane niti, žicu ili uže i sl. jer mogu da se odlome i da postanu opasni projektili.

Trimer sa strunom je opremljen naprednim sistemom POWERLOAD™. Struna za sečenje se može namotati na kalem jednostavnim pritiskom na jedno dugme. Namotavanje celog kalema se obično može završiti za 12 sekundi. **Izbegavajte ponavljani rad sistema za namotavanje sa kratkim vremenskim razmacima da biste smanjili mogućnost oštećenja motora.**

1. Izvadite bateriju.
2. Odsecite jedan komad strune za sečenje dužine 4 m.
3. Udenite strunu u rupicu i gurajte strunu dok kraj strune ne izađe iz naspramne rupice (slika L1).

L1-1	Struna za sečenje	L1-2	Rupica
------	-------------------	------	--------

NAPOMENA: Nije neophodno poravnati rupice da bi se umetnula struna za sečenje. Ako se struna ne može umetnuti u rupicu, montirajte bateriju na trimer a zatim kratko pritisnite dugme POWERLOAD da biste resetovali mehanizam namotavanja.

4. Uklonite bateriju ako je bila montirana na trimer u koraku 3.
5. Vucite strunu sa druge strane dok se jednake dužine strune ne pojave sa obe strane glave trimera (slika L2).
6. Instalirajte bateriju na trimer sa strunom.
7. Pritisnite i držite dugme POWERLOAD da biste pokrenuli motor za namotavanje strune. Struna će se neprekidno namotavati u glavu trimera.
8. Pažljivo vodite računa o dužini preostale strune. Pripremite se da pustite dugme čim približno 22 cm strune preostane sa obe strane. Kratko pritisnite dugme za pomeranje strune da biste podesili dužinu dok 18 cm strune ne bude virilo sa svake strane (slika L3).

SR

NAPOMENA: U slučaju da struna bude nehotično uvučena u glavu trimera, otvorite glavu i izvucite strunu za sečenje iz kalema. Pratite odeljak **„PONOVNO NAMOTAVANJE STRUNE ZA SEČENJE“** u ovom priručniku da

biste ponovo udenuli strunu.

PONOVNO NAMOTAVANJE STRUNE ZA SEČENJE

NAPOMENA: Kad se struna za sečenje zaglavi u glavi trimera, moraćete da uklonite preostalu strunu za sečenje iz glave trimera i da pratite korake ispod da biste ponovo namotali strunu.

1. Izvadite bateriju.
2. Pritisnite jezičke za otpuštanje na glavi trimera i skinite sklop donjeg poklopca glave trimera tako što ćete ga ravno izvući napolje (slika M1 i M2).

M1-1	Jezičak za otpuštanje	M1-2	Sklop donjeg poklopca
------	-----------------------	------	-----------------------

3. Uklonite strunu za sečenje iz glave trimera.
4. Jednom rukom držite trimer, drugom rukom uzmite sklop donjeg poklopca i poravnajte prereze u sklop donjeg poklopca sa jezičcima za otpuštanje. Pritisnite sklop donjeg poklopca dok ne škljocne na svoje mesto, kad ćete čuti karakterističan zvuk škljocanja (slika M3).

M3-1	Jezičak za otpuštanje	M3-2	Prorez
------	-----------------------	------	--------

5. Za ponovno namotavanje strune za sečenje pratite uputstva u odeljku **„ZAMENA STRUNE“**.

ZAMENA GLAVE TRIMERA

⚠ HOIATUS: Kui löikepea tuleb pärast kohale fikseerimist lahti, vahetage see viivitamatult välja. Ärge kunagi kasutage lahtise löikeseadmega trimmerit. Mõranenud, kahjustunud või kulunud löikepea tuleb koheselt välja vahetada isegi kui kahjustuseks on vaevumärgatav mõra. Niisugused lisaseadmed võivad suurel kiirusel puruneda ja põhjustada raskeid vigastusi.

⚠ UPOZORENJE: Ako se glava nakon pričvršćivanja otpusti, odmah je zamenite. Nemojte nikada upotrebljavati trimer ako je priključak za sečenje otpušten. Zamenite odmah naprslu, oštećenu ili pohabanu glavu za sečenje, čak i ako je oštećenje ograničeno na površinske pukotine. Takvi priključci mogu da se rasprsnu pri visokoj brzini i da prouzrokuju teške povrede.

Upoznajte glavu trimera (slika N1)

N1-1	Donji poklopac	N1-2	Matica
N1-3	Sklop kalema	N1-4	Umetak

Da biste uklonili glavu trimera

1. Izvadite bateriju.
2. Pritisnite jezičke za otpuštanje na glavi trimera i skinite donji poklopac glave trimera tako što ćete ga ravno izvući napolje (pogledajte sliku M1 i M2).
3. Uklonite strunu za sečenje iz glave trimera (slika N2).
4. Nosite rukavice. Jednom rukom uhvatite sklop kalema da biste ga stabilizovali, a drugom rukom uzmite udarni ključ (nije priložen) da biste olabavili navrtanj suprotno od smera kazaljke na satu (slika N3).

N3-1	Matica	N3-2	Udarni ključ (nije priložen)
------	--------	------	------------------------------

5. Uklonite sklop kalema i umetak sa vratila motora. Sačuvajte umetak za kasnije sklapanje.
6. Zamenite glavu trimera i postavite je prema sledećim koracima.

Da biste instalirali novu glavu trimera

1. Montirajte umetak na vratilo motora i montirajte sklop kalema na njegovo mesto. Koristite udarni ključ da biste zategnuli maticu.
2. Montirajte sklop donjeg poklopca (pogledajte sliku M3).
3. Ponovo namotajte strunu za sečenje.
4. Pokrenite alat da biste videli da li će trimer sa strunom raditi normalno. Ako to nije slučaj, rastavljanje obavite na prethodno opisani način.

ODRŽAVANJE

⚠ UPOZORENJE: Tokom servisiranja, koristite samo identične rezervne delove. Upotreba bilo kakvih drugih delova može da dovede do opasnosti ili da izazove oštećenje proizvoda. Da bi se osigurala sigurnost i pouzdanost, sve popravke treba da radi kvalifikovani servisni tehničar.

⚠ UPOZORENJE: Da biste sprečili ozbiljne telesne povrede, izvadite bateriju iz alata pre servisiranja, čišćenja ili uklanjanja prljavštine sa jedinice.

⚠ OPREZ: Prepreke u ventilacionim otvorima sprečiće protok vazduha u kućište motora i prouzrokovati pregrevanje ili oštećenje motora.

ČIŠĆENJE JEDINICE

- Jedinicu čistite vlažnom krpom i blagim deterdžentom. Nikad ne dozvolite da neka tečnost uđe u alat; nikad ne

potapajte nijedan deo alata u tečnost.

- Ne koristite jake deterdžente na plastičnom kućištu i drški. Mogu ih oštetiti određena aromatična ulja, poput bora i limuna, i rastvarači poput kerozina. Vлага može da izazove i opasnost od strujnog udara. Obrišite svu vlagu mekom, suvom krpom.
- Za čišćenje ventilacionih otvora na zadnjem kućištu upotrebljavajte malu četku ili ispuštanje vazduha iz male četke usisivača.
- Održavajte otvore za vazduh bez prepreka.

OŠTRENJE NOŽA ZA SEČENJE STRUNE

⚠ UPOZORENJE: Kada obavljate radove održavanja na noževima za sečenje strune, uvek zaštitite ruke nošenjem debelih rukavica.

1. Olabavite dva vijka i skinite nož za sečenje strune sa štitnika (slika O).

O-1	Vijci	O-2	Nož za košenje strunom
-----	-------	-----	------------------------

2. Učvrstite nož u stegu.
3. Pažljivo obradite ivice za sečenje noža turpijom sa finim zupcima ili kamenom za oštrenje i pritom vodite računa da održavate originalni ugao ivice za sečenje.
4. Vratite nož na njegovo mesto na štitniku i pričvrstite ga pomoću dva zavrtnja.

SKLADIŠTENJE JEDINICE

- Izvadite komplet baterija iz trimera.
- Temeljno očistite alat pre skladištenja.
- Skladištite jedinicu na suvom, dobro provetrenom mestu, zaključanu ili na visini, van domašaja dece. Ne skladištite jedinicu na ili pored đubriva, benzina ili drugih hemikalija.

Zaštita životne sredine



Ne odlažite električnu opremu, potrošene baterije i punjače u kućni otpad! Odnosite ovaj proizvod u ovlašćeni pogon za reciklažu ili ga odvojite od ostalog smeća radi zasebnog prikupljanja. Električni alati moraju se odneti u ekološki prihvatljiv pogon za reciklažu.

REŠAVANJE PROBLEMA

PROBLEM	UZROK	REŠENJE
Trimer sa strunom neće da se uključi.	<ul style="list-style-type: none"> ■ Baterija nije spojena na trimer. ■ Nema električnog kontakta između trimera i baterije. ■ Baterija je prazna. ■ Prekidač za zaključavanje nije pomeren unapred pre pritiskanja okidača varijabilne brzine. ■ Vratilo motora ili glavu trimera blokira trava. 	<ul style="list-style-type: none"> ■ Spojite bateriju na trimer. ■ Izvadite bateriju, proverite kontakte i ponovo stavite komplet baterija. ■ Napunite bateriju. ■ Pomerite jezičak za zaključavanje unapred a zatim pritisnite okidač varijabilne brzine. ■ Uklonite travu sa vratila motora i glave trimera.
Trimer sa strunom se isključuje tokom sečenja.	<ul style="list-style-type: none"> ■ Štitnik nije postavljen na trimer, što rezultira predugačkom strunom za sečenje i preopterećenjem motora. ■ Upotrebljava se debela struna za sečenje. ■ Baterija ili trimer sa strunom su prevrući. ■ Komplet baterija je odvojen od alata. ■ Baterija je prazna. 	<ul style="list-style-type: none"> ■ Izvadite komplet baterija i postavite štitnik na trimer. ■ Koristite preporučenu najlonsku strunu za sečenje prečnika 2,4 mm. ■ Ohladite bateriju ili trimer sa strunom. ■ Ponovo stavite komplet baterija. ■ Napunite bateriju.
Glava trimera neće da izvlači strunu.	<ul style="list-style-type: none"> ■ Vratilo motora ili glavu trimera blokira trava. ■ Na kalemu nema dovoljno strune ili se struna otkinula na ušici. ■ Struna se zapetljala. ■ Struna je prekratka. ■ Upotrebljava se debela struna za sečenje. ■ Kvar glave trimera. 	<ul style="list-style-type: none"> ■ Zaustavite trimer, izvadite bateriju i očistite vratilo motora i glavu trimera. ■ Izvadite bateriju i zamenite strunu za sečenje; pratite odeljak „ZAMENA STRUNE“ u ovom priručniku. ■ Izvadite bateriju, izvadite strunu iz glave trimera i ponovo je namotajte; pratite odeljak „PONOVNO NAMOTAVANJE STRUNE ZA SEČENJE“ u ovom priručniku. ■ Izvadite bateriju i ručno vucite strune dok naizmenično pritisnete nadole i puštate glavu trimera. ■ Koristite preporučenu najlonsku strunu za sečenje prečnika 2,4 mm. ■ Pozovite EGO korisničku službu radi pomoći.
<div style="background-color: black; color: white; padding: 2px; display: inline-block; font-weight: bold;">SR</div> Glava trimera nastavlja da ispušta strunu automatski.	<ul style="list-style-type: none"> ■ Upotrebljava se tanka struna za sečenje. 	<ul style="list-style-type: none"> ■ Koristite preporučenu najlonsku strunu za sečenje prečnika 2,4 mm.

PROBLEM	UZROK	REŠENJE
Trava se omotala oko glave trimera i kućišta motora.	<ul style="list-style-type: none"> ■ Visoka trava seče se od nivoa tla. 	<ul style="list-style-type: none"> ■ Secite visoku travu odozgo nadole, uklanjajući ne više od 20 cm u svakom prolasku da biste sprečili omotavanje.
Nož ne seče strunu.	<ul style="list-style-type: none"> ■ Nož za sečenje strune na ivici štitnika je tup. 	<ul style="list-style-type: none"> ■ Nož za sečenje strune naoštrite turpijom prema uputstvima ili ga zamenite novim.
Pukotine na glavi trimera	<ul style="list-style-type: none"> ■ Glava trimera je pohabana. 	<ul style="list-style-type: none"> ■ Odmah zamenite glavu trimera; pratite odeljak „ZAMENA GLAVE TRIMERA“ u ovom priručniku.
Strunu za sečenje nije moguće pravilno namotati u glavu trimera.	<ul style="list-style-type: none"> ■ Upotrebljava se neodgovarajuća struna za sečenje. ■ U glavi trimera nakupile su se naslage trave ili nečistoče i blokiraju kretanje kalema za strunu. ■ Motor se pregreva zbog ponovljanog rada sistema namotavanja strune. ■ Nizak kapacitet baterije ■ Struna nije namotana u sklop kalema. ■ Glava trimera je defektna. 	<ul style="list-style-type: none"> ■ Predlažemo da koristite originalnu EGO najlonsku strunu za sečenje. Ako upotrebljavate najlonsku strunu proizvođača EGO, a problem i dalje postoji, za savet nazovite EGO službu za korisnike. ■ Izvadite bateriju, otvorite glavu trimera i dobro je očistite. ■ Neka trimer sa strunom nekoliko minuta radi bez opterećenja da se motor ohladi, a zatim pokušajte ponovo da namotate strunu. ■ Napunite bateriju ■ Izvucite strunu i ponovo je umetnite. ■ Pozovite EGO korisničku službu radi pomoći.
Strunu za sečenje nije moguće provući kroz glavu trimera prilikom umetanja strune.	<ul style="list-style-type: none"> ■ Struna za sečenje se rascepila ili savila na kraju. 	<ul style="list-style-type: none"> ■ Odsecite istrošeni kraj strune i ponovo ga umetnite.

GARANCIJA

EGO POLITIKA GARANCIJE

Posetite veb-lokaciju egopowerplus.eu za potpune uslove i odredbe EGO politike garancije.

PROČITAJTE UPUTSTVO U CIJELOSTI!



PROČITAJTE KORISNIČKI PRIRUČNIK



Simbol upozorenja



Nosite zaštitu za oči. - Kada upotrebljavate ovaj proizvod, uvijek nosite zatvorene zaštitne naočale ili zaštitne naočale s bočnim štitnicima i štitnik za cijelo lice.



Nosite zaštitu za sluh. - Kada upotrebljavate ovaj proizvod, uvijek nosite zaštitu za sluh.



Otpadni električni proizvodi ne smiju se odlagati s otpadom iz domaćinstva. Odnosite ih u ovlašteni centar za reciklažu.



Održavajte siguran razmak - Razmak između proizvoda i drugih prisutnih osoba treba biti najmanje 15 m.



Širina rezanja - maks. širina rezanja trimera s reznom niti



Prije obavljanja radova održavanja ili čišćenja, odvojite komplet baterija od trimera za travu s reznom niti.



Ovaj proizvod je u skladu s važećim zakonodavstvom Velike Britanije.

A

Amper

cm

Centimetar



Istosmjerna struja

SIGURNOSNI SIMBOL

Rukovanje električnim alatima može rezultirati odbacivanjem stranih predmeta u oči, što opet može izazvati teška oštećenja očiju. Prije početka rukovanja električnim alatom, uvijek nosite zatvorene zaštitne naočale ili zaštitne naočale s bočnim štitnicima, a prema potrebi i štitnik za cijelo lice. Preporučujemo nošenje sigurnosne maske proizvođača Wide Vision preko naočala ili nošenje standardnih zaštitnih naočala s bočnim štitnicima.



Radi smanjenja opasnosti od povreda, korisnik treba pročitati korisnički priručnik.

IPX4

Zaštita od prskajuće vode



Zagarantovani nivo zvučne snage.



Čuvajte se odbačenih predmeta - Odbačeni predmeti mogu odskočiti i rezultirati tjelesnim povredama ili materijalnom štetom. Pobrinite se da druge osobe i kućni ljubimci ostanu podalje od trimera za travu s reznom niti tokom upotrebe.



Na trimeru za travu s reznom niti nemojte upotrebljavati metalne noževe.



Prečnik rezne niti - prečnik najlonske rezne niti



Ovaj proizvod je u skladu s primjenjivim direktivama EU.

V

Napon

mm

Milimetar

kg

Kilogram

... /min

U minuti

BS

TEHNIČKI PODACI

Napon	56 V ---	
Brzina vrtnje bez opterećenja	Opseg niske brzine: 3500 - 4800 o/min	
	Opseg visoke brzine: 4000 - 5500 o/min	
Mehanizam rezne niti	IZVLAČENJE REZNE NITI IQ	
Vrsta rezne niti	Najlonska rezna nit 2,4 mm	
Širina rezanja	40 cm	
Preporučena radna temperatura	0°C - 40°C	
Preporučena temperatura skladištenja	-20°C - 70°C	
Masa (bez kompleta baterija)	3,5 kg	
Izmjereni nivo zvučne snage L_{WA}	90 dB(A) K=2,5 dB(A)	
Nivo zvučnog pritiska kod uha rukovaoca L_{PA}	77 dB(A) K=3 dB(A)	
Zagarantovani nivo zvučne snage L_{WA} (izmjereno u skladu s Direktivom 2000/14/EZ)	92 dB(A)	
Procjena vibracija a_h	Prednji rukohvat	3,9 m/s ² K=1,5 m/s ²
	Stražnji rukohvat	2,7 m/s ² K=1,5 m/s ²

- Deklarisane ukupne vrijednosti vibracija izmjerene su u skladu sa standardnom metodom ispitivanja i mogu se primjenjivati za poređenje jednog alata s drugim.
- Deklarisane ukupne vrijednosti vibracija mogu se primjenjivati i u preliminarnoj procjeni izloženosti.

NAPOMENA! Emisija vibracija tokom aktualne upotrebe električnog alata može se razlikovati od deklarirane vrijednosti u kojoj se alat upotrebljavao; Korisnik radi zaštite treba nositi rukavice i štitičke za uši u aktualnim uslovima upotrebe.

OPIS

UPOZNAJTE SVOJ TRIMER ZA TRAVU S REZKOM NITI (sl. A1)

1. Okidač za varijabilnu brzinu
2. Stražnji rukohvat

3. Jezičak za blokadu
4. Prekidač za 2 brzine
5. Indikator brzine
6. Obujmica za podešavanje visine
7. Brzopodesivi prednji rukohvat
8. Ručica za brzo otpuštanje
9. Spojnica i matični vijak za zavravljanje
10. Dugme POWERLOAD™
11. Glava trimera (s izvlačenjem REZNE NITI IQ)
12. Rezna nit
13. Jezičak za otpuštanje
14. Nož za rezanje rezne niti
15. Štitnik
16. Mehanizam za izbacivanje
17. Bravica
18. Dugme za oslobađanje baterije
19. Inbus ključ
20. Omča ramene trake
21. Ramena traka

SADRŽAJ PAKOVANJA (SL. A1)

SASTAVLJANJE

⚠ UPOZORENJE! Ako je bilo koji dio oštećen ili ako nedostaje, nemojte upotrebljavati ovaj proizvod dok ne zamijenite dijelove. Upotreba ovog proizvoda oštećenih dijelova ili dijelova koji nedostaju može rezultirati teškim tjelesnim povredama.

⚠ UPOZORENJE! Nemojte pokušavati da modifikujete ovaj proizvod ili da pravite dodatnu opremu koja nije preporučena za upotrebu s ovim trimenom s reznom niti. Sve takve izmjene ili modifikacije predstavljaju nepropisnu upotrebu i mogu rezultirati opasnim stanjima koja mogu dovesti do mogućih teških tjelesnih povreda.

⚠ UPOZORENJE! Radi sprečavanja iznenadnog pokretanja koje može uzrokovati teške tjelesne povrede, uvijek izvadite komplet baterija iz mašine kada sastavljate dijelove.

OTKLAPANJE DRŠKE

⚠ UPOZORENJE! Dršku nemojte držati na spoju da izbjegnute priklještenje ruku ili prstiju.

⚠ UPOZORENJE! Nemojte pokušavati pokretati trimen

BS

dok ne završite dršku.

Dršku otklopite nježno, vodeći računa da kabel bude u njoj i završite je matičnim vijkom pomoću priloženog ključa (sl. B1 i B2).

POSTAVLJANJE ŠTITNIKA

⚠ UPOZORENJE! Pri postavljanju štitnika ili zamjeni štitnika uvijek nosite rukavice. Budite oprezni s nožem na štitniku i zaštitite ruke od povreda nožem.

⚠ UPOZORENJE! Mašinu nemojte nikada upotrebljavati bez čvrsto postavljenog štitnika. Štitnik uvijek mora biti na mašini radi zaštite korisnika! Kada je štitičnik pričvršćen, nemojte nikada pokušavati da ga uklanjate ili podešavate. Ako je potrebna zamjena, treba je obaviti kvalifikovani servisni tehničar!

Pozicionirajte trimmer tako da glava trimera bude okrenuta prema gore (sl. C1). Poravnajte montažne provrte na štitičniku s montažnim provrtima i štitičnik zatim pričvrstite na kućište drške pomoću dva vijka (sl. C2).

NAPOMENA! Uvjerite se da je štitičnik pričvršćen u skladu sa sl. C1 i C2. Svako obrnuto pričvršćivanje izazvat će veliku opasnost!

POSTAVLJANJE I PODEŠAVANJE PREDNJEG RUKOHVATA

- Otpustite i uklonite ručicu za brzo otpuštanje i krilnu maticu s prednjeg rukohvata (sl. D1).

D1-1	Prednji rukohvat	D1-2	Stezni blok
D1-3	Krilna matica	D1-4	Ručica za brzo otpuštanje

- Gurnite prednji rukohvat na dršku u zoni postavljanja između objumice za podešavanje visine i zgloba (sl. D2).
- U utor rukohvata umetnite stezni blok (sl. D3).
- Postavite ručicu za brzo otpuštanje i pritegnite krilnu maticu. Uvjerite se da je prednji pomoćni rukohvat okrenut prema gore i da je usmjeren prema gornjem dijelu stražnjeg rukohvata (sl. D4).
- Povucite ručicu za brzo otpuštanje prema gore da pomjerite/rotirate prednji rukohvat u udoban radni položaj, a zatim završite ručicu za brzo otpuštanje (sl. D5).

NAPOMENA! Prednji rukohvat treba postaviti na dršku samo u zoni postavljanja.

⚠ UPOZORENJE! Alat se ne smije upotrebljavati ako prednji rukohvat nije dobro pričvršćen.

PODEŠAVANJE VISINE TRIMERA

Ako dužina drške nije prikladna za rad, dužinu drške možete podesiti pomoću objumice za podešavanje visine.

- Izvadite komplet baterija iz trimera.
- Za podešavanje visine trimera (npr. visine drške) otvorite objumicu za podešavanje visine, a zatim gurnite dršku prema gore ili dolje na željenu visinu i učvrstite je zatvaranjem objumice za podešavanje visine (sl. E).

E-1	Objumica za podešavanje visine
-----	--------------------------------

NAPOMENA! Nakon promjene visine trimera, možda bude potrebno ponovo podesiti prednji rukohvat.

PRIČVRŠĆIVANJE RAMENE TRAKE

Za siguran i bolji rad stavite traku preko jednog ramena i preko leđa.

- Otpustite okretno dugme i šesterostranu maticu na omči ramene trake (Slika F1).

F1-1	Vijčano dugme	F1-2	Šesterostrana matica
F1-3	Omča ramene trake		

- Omču ramene trake postavite u položaj ugodan za rad u zoni postavljanja, a zatim je pričvrstite pritezanjem vijčanog dugmeta i šesterostrane matice.
- Stisnite karabiner ramene trake da ga otvorite i pričvrstite ramenu traku u otvor na omči ramene trake (sl. F2).
- Podesite dužinu i položaj ramene trake u ugodan položaj za rad.

⚠ UPOZORENJE! U slučaju nužde ramenu traku odmah skinite s ramena, bez obzira na način na koji je stavljena.

Jednostavna i dvostruka ramena traka ne smiju se istovremeno upotrebljavati.

Kada nosite ramenu traku, nijedan drugi komad odjeće ne smije ometati otpuštanje i uklanjanje ramene trake.

RAD

⚠ UPOZORENJE! Uvijek nosite zatvorene zaštitne naočale ili zaštitne naočale s bočnim štitičnicima, zajedno sa zaštitom za sluh. Nepostupanje u skladu s tim može rezultirati odbacivanjem predmeta u oči i drugim mogućim teškim povredama.

Podrezivanje: šišanje trave i korova oko trijemova, ograda i verandi.

Rezanje: rezanje trave koju je teško dosegnuti normalnom kosilicom.

POSTAVLJANJE/SKIDANJE KOMPLETA BATERIJA

Proizvod upotrebljavajte samo s EGO kompletima baterija i punjačima koji su navedeni na sl. A2.

Komplet baterija potpuno napunite prije prve upotrebe.

Postavljanje

Poravnajte kontakte baterije s montažnim utorima i pritisnite komplet baterija prema dolje dok ne začujete zvuk klikanja (sl. G1).

Skidanje

Pritisnite dugme za oslobađanje baterije i izvucite komplet baterija (sl. G2).

DRŽANJE TRIMERA ZA TRAVU S REZKOM NITI (sl. H)

Radi sigurnog i boljeg rada stavite ramenu traku preko ramena. Podesite dužinu i položaj ramene trake u ugodan položaj za rad – trimmer držite objema rukama: jednu ruku držite na stražnjem rukohvatu, a drugu na prednjem rukohvatu.

NAPOMENA! Glava trimera je u paralelnom položaju u odnosu na tlo na propisnoj udaljenosti za rezanje bez nagnjanja rukovaoca prema naprijed.

⚠ UPOZORENJE! U slučaju nužde ramenu traku odmah skinite s ramena, bez obzira na način na koji je stavljena.

POKRETANJE/ZAUSTAVLJANJE TRIMERA ZA TRAVU S REZKOM NITI (sl. I)

Pokretanje

Pomjerite jezičak za blokadu prema naprijed, a zatim pritisnite okidač za varijabilnu brzinu.

Okidač je kontinuirani regulator brzine. Što više povlačite okidač, to je brzina viša.

I-1	Jezičak za blokadu	I-2	Okidač za varijabilnu brzinu
-----	--------------------	-----	------------------------------

Zaustavljanje

Otpustite okidač za varijabilnu brzinu.

FUNKCIJA PODEŠAVANJA BRZINE (sl. J)

Trimer za travu s reznom niti ima dvije postavke brzine. Za

promjenu brzine rezanja između niske i visoke pritisnite prekidač za 2 brzine.

Indikator brzine će prikazati aktivni status brzine: jedno svjetlo za nisku brzinu, a dva svjetla za visoku brzinu. Raspon niske brzine pruža bolju kontrolu nad trimrom i duže vrijeme rada po punjenju.

J-1	Indikator brzine	J-2	Prekidač za 2 brzine
-----	------------------	-----	----------------------

UPOTREBA TRIMERA ZA TRAVU S REZKOM NITI

Očistite radno područje prije svake upotrebe. Uklonite sve predmete poput kamenja, razbijenog stakla, eksera, žica ili niti koje trimmer može odbaciti ili koji se mogu zaplesti u rezni priključak. Iz područja udaljite djecu, druge prisutne osobe i kućne ljubimce. Držite djecu, druge prisutne osobe i kućne ljubimce udaljene najmanje 15 m; za druge prisutne osobe čak i tada postoji opasnost od odbačenih predmeta. Druge prisutne osobe potrebno je zamoliti da nose zaštitu za oči. Ako vam neko prilazi, odmah zaustavite motor i rezni priključak.

Prije svake upotrebe provjerite ima li oštećenih/istrošenih dijelova.

Provjerite glavu trimera, štitnik, ramenu traku, omču ramene trake i prednji rukohvat. Zamijenite dijelove koji su napukli, deformisani, savijeni ili oštećeni na bilo koji način.

Nož za rezanje rezne niti na rubu štitnika vremenom može postati tup. Preporučujemo povremeno oštrenje noža turpijom ili zamjenu noža.

⚠ UPOZORENJE! Pri postavljanju ili zamjeni štitnika ili oštrenju ili zamjeni noža za rezanje rezne niti uvijek nosite rukavice. Zapamtite mjesto noža na štitniku i zaštitite ruke od povreda.

Provjera blokade glave trimera

- Kako biste izbjegli blokadu, glavu trimera održavajte čistom. Prije i nakon svake upotrebe uklonite pokošenu travu, lišće, prijavštinu i druge nakupljene naslage.
- U slučaju blokade zaustavite trimmer s reznom niti, izvadite bateriju, a zatim uklonite travu koja se možda ometala oko vratila motora ili glave trimera.

Očistite trimmer nakon svake upotrebe.

PODEŠAVANJE DUŽINE REZNE NITI

Glava trimera za izvlačenje rezne niti IQ opremljena je naprednom tehnologijom.

Ako se jedan od krajeva rezne niti istroši manje od 18 cm tokom podrezivanja, glava trimera automatski oslobađa reznu nit, a višak rezne niti odsijeca se nožem za rezanje

rezne niti (sl. K).

NAPOMENA! Više nije potrebno lupkati po glavi trimera da se otpusti rezna nit. Ako osjetite da glava trimera lagano podrtava tokom podrezivanja trave, to je automatsko otpuštanje rezne niti.

⚠ UPOZORENJE! Nemojte uklanjati sklop noža za rezanje rezne niti ili ne obavljajte preinake na njemu. Prevelika dužina niti uzrokovat će pregrijavanje motora što može rezultirati teškim tjelesnim povredama.

ZAMJENA REZNE NITI

NAPOMENA! Uvijek upotrebljavajte preporučenu najlonsku reznu nit prečnika od 2,4 mm.

Upotreba rezne niti drukčije od navedene može uzrokovati pregrijavanje ili oštećenje alata.

⚠ UPOZORENJE! Nemojte nikada upotrebljavati metalom ojačane niti, žicu ili užu i sl. jer mogu se odlomiti i postati opasni projektili.

Trimer za travu s reznom niti je opremljen naprednim POWERLOAD™ sistemom. Reznu nit moguće je namotati na kalem jednostavnim pritiskom na jedno dugme. Namotavanje na kalem u cijelosti obično je moguće obaviti za 12 sekundi. **Izbjegavajte ponavljani brzi rad sistema namotavanja kako biste smanjili mogućnost oštećenja motora.**

1. Izvadite komplet baterija.
2. Izrežite jedan komad rezne niti dužine 4 m.
3. Umetnite reznu nit u ušicu i gurajte je dok njen kraj ne izade na suprotnoj ušici (sl. L1).

L1-1	Rezna nit	L1-2	Ušica
------	-----------	------	-------

NAPOMENA! Ušice nije potrebno poravnati za umetanje rezne niti. Ako reznu nit nije moguće umetnuti u ušicu, stavite komplet baterija na trimer, zatim kratko pritisnite dugme POWERLOAD da resetujete mehanizam za namotavanje.

4. Izvadite komplet baterija ako je u koraku 3 postavljen na trimer.
5. Povlačite reznu nit s druge strane dok ne bude iste dužine s obje strane glave trimera (sl. L2).
6. Postavite komplet baterija na trimer za travu s reznom niti.
7. Pritisnite dugme POWERLOAD i držite ga pritisnutim da pokrenete motor za namotavanje rezne niti. Rezna nit kontinuirano će se namotavati u glavu trimera.

8. Vodite računa o dužini preostale rezne niti. Budite spremni da otpustite dugme čim sa svake strane ostane oko 22 cm rezne niti. Kratko pritisnite dugme za namotavanje rezne niti da podesite dužinu tako da sa svake strane ostane 18 cm rezne niti (sl. L3).

NAPOMENA! U slučaju nehotičnog uvlačenja rezne niti u glavu trimera, otvorite glavu i izvucite reznu nit iz kalema. Za ponovno namotavanje rezne niti pratite upute u odjeljku "PONOVNO NAMOTAVANJE REZNE NITI" u ovom priručniku.

PONOVNO NAMOTAVANJE REZNE NITI

NAPOMENA! Ako se rezna nit zaglavi u glavi trimera, preostalu reznu nit je potrebno ukloniti iz glave trimera i pratiti korake za ponovno namotavanje rezne u nastavku.

1. Izvadite komplet baterija.
2. Pritisnite jezičke za otpuštanje na glavi trimera i uklonite sklop donjeg poklopca glave trimera povlačeći ga ravno van (sl. M1 i M2).

M1-1	Jezičak za otpuštanje	M1-2	Sklop donjeg poklopca
------	-----------------------	------	-----------------------

3. Izvadite reznu nit iz glave trimera.
4. Jednom rukom držite trimer, drugom rukom uzmite sklop donjeg poklopca i poravnajte utore u sklopu donjeg poklopca s jezičcima za otpuštanje. Pritisnite sklop donjeg poklopca dok ne ulegne u svoje ležište, pri čemu ćete čuti jasan zvuk klikanja (sl. M3).

M3-1	Jezičak za otpuštanje	M3-2	Utor
------	-----------------------	------	------

5. Za ponovno namotavanje rezne niti pratite upute u odjeljku "ZAMJENA REZNE NITI".

ZAMJENA GLAVE TRIMERA

⚠ UPOZORENJE! Ako se glava nakon pričvršćivanja otpusti, odmah je zamijenite. Trimer nemojte nikada upotrebljavati ako je rezni priključak otpušten. Puknutu, oštećenu ili istrošenu reznu glavu odmah zamijenite čak i ako je oštećenje ograničeno na površinske pukotine. Takvi priključci mogu se raspuknuti pri visokoj brzini i uzrokovati teške povrede.

Upoznajte glavu trimera (sl. N1)

N1-1	Donji poklopac	N1-2	Matica
N1-3	Sklop kalema	N1-4	Čahura

Uklanjanje glave trimera

1. Izvadite komplet baterija.
2. Pritisnite jezičke za otpuštanje na glavi trimera i uklonite donji poklopac glave trimera povlačeći ga ravno van (vidjeti sl. M1 i M2).
3. Izvadite reznu nit iz glave trimera (sl. F2).
4. Nosite rukavice. Jednom rukom prihvatite sklop kalema kako biste ga stabilizovali, a drugom rukom držite udarni ključ (nije u sadržaju isporuke) da otpustite maticu u smjeru suprotnom smjeru kretanja kazaljki na satu (sl. N3).

N3-1	Matica	N3-2	Udarni ključ (nije u sadržaju isporuke)
------	--------	------	---

5. S vratila motora uklonite sklop kalema i čahuru. Sačuvajte čahuru za kasnije sastavljanje.
6. Zamijenite glavu trimera i postavite je prema sljedećim koracima.

Postavljanje nove glave trimera

1. Postavite čahuru na vratilo motora i stavite sklop kalema u ležište. Za pritezanje matice upotrijebite udarni ključ.
2. Postavite sklop donjeg poklopca (vidjeti sl. M3).
3. Ponovo namotajte reznu nit.
4. Pokrenite alat kako biste vidjeli da li trimer za travu s reznom niti ispravno radi. Ako to nije slučaj, rastavljanje obavite na gore opisani način.

ODRŽAVANJE

⚠ UPOZORENJE! Kada obavljate radove servisiranja, upotrebljavajte samo identične zamjenske dijelove. Upotreba drugih dijelova može uzrokovati opasnost ili oštećenje proizvoda. Radi osiguranja sigurnosti i pouzdanosti, sve popravke treba obavljati kvalifikovani servisni tehničar.

⚠ UPOZORENJE! Prije servisiranja, čišćenja ili uklanjanja materijala s jedinice uklonite komplet baterija iz alata da izbjegnute teške tjelesne povrede.

⚠ OPREZ! Zapreke u ventilacijskim otvorima spriječit će protok zraka u kućište motora i rezultirati pregrijavanjem ili oštećenjem motora.

ČIŠĆENJE JEDINICE

- Jedinicu čistite vlažnom krpom i blagim deterdžentom. Nemojte nikada dozvoliti da tekućina dospjeje u alat i nemojte nikada uranjati dijelove alata u tekućinu.

- Za čišćenje plastičnog kućišta ili rukohvata nemojte upotrebljavati jake deterdžente jer mogu ih oštetiti neka aromatična ulja, kao što su borovo i limunovo ulje i rastvori kao što je kerozin. Vлага može izazvati opasnost od strujnog udara. Vlažna mjesta obrišite mekanom suhom krpom.
- Za čišćenje zračnih ventilacijskih otvora na stražnjem kućištu upotrebljavajte malu četku ili ispuštanje zraka iz male četke usisivača.
- Ventilacijske otvore držite slobodnim od zapreka.

OŠTRENJE NOŽA ZA REZANJE REZNE NITI

⚠ UPOZORENJE! Kada obavljate radove održavanja na noževima za rezanje rezne niti, uvijek zaštitite ruke nošenjem debelih rukavica.

1. Otpustite dva vijka i uklonite nož za rezanje rezne niti sa štitnika (sl. O).

O-1	Vijci	O-2	Nož za rezanje rezne niti
-----	-------	-----	---------------------------

2. Osigurajte nož u škripcu.
3. Pažljivo obradite rezne bridove noža turpijom s finim zupcima ili kamenom za oštrenje i pritom vodite računa da održavate originalni ugao reznog brida.
4. Ponovo stavite nož na štitnik i osigurajte ga s dva vijka.

SKLADIŠTENJE JEDINICE

- Izvadite komplet baterija iz trimera.
- Alat dobro očistite prije skladištenja.
- Jedinicu skladištite na suhom, dobro prozračenom mjestu koje je moguće zaključati ili koje je na visini izvan dohvata djece. Jedinicu nemojte skladištiti na gnojivima, benzinu ili drugim hemikalijama niti u njihovoj blizini.

Zaštita životne sredine



Električnu opremu, iskorištenu bateriju i punjač ne odlažite u kućni otpad! Ovaj proizvod odnesite u ovlašteni centar za reciklažu i time omogućite odvojeno sakupljanje. Električne alate potrebno je vratiti u ekološki prihvatljiv pogon za reciklažu.

OTKLANJANJE PROBLEMA

PROBLEM	UZROK	ВИПШЕННЯ
Trimer za travu s reznom niti nije moguće pokrenuti.	<ul style="list-style-type: none"> ■ Komplet baterija nije pričvršćen na trimer. ■ Nema električnog kontakta između makaza i baterije. ■ Komplet baterija je ispražnjen. ■ Prekidač za deblokadu nije pomaknut prema naprijed prije pritiska na okidač za varijabilnu brzinu. ■ Vratilo motora ili glavu trimera blokira travu. 	<ul style="list-style-type: none"> ■ Pričvrstite komplet baterija na trimer. ■ Izvadite bateriju, provjerite kontakte i ponovo stavite komplet baterija. ■ Napunite komplet baterija. ■ Pomjerite jezičak za blokadu prema naprijed, a zatim pritisnite okidač za varijabilnu brzinu. ■ Uklonite travu s vratila motora i glave trimera.
Trimer za travu zaustavlja se tokom rezanja.	<ul style="list-style-type: none"> ■ Štitnik nije postavljen na trimer, što rezultira predugačkom reznom niti i preopterećenjem motora. ■ Upotrebljava se debela rezna nit. ■ Komplet baterija ili trimer za travu s reznom niti je previše vruć. ■ Komplet baterija je odspojen od alata. ■ Komplet baterija je ispražnjen. 	<ul style="list-style-type: none"> ■ Izvadite komplet baterija i postavite štitnik na trimer. ■ Upotrebljavajte preporučenu najlonsku reznu nit prečnika od 2,4 mm. ■ Ohladite bateriju ili trimer za travu s reznom niti. ■ Ponovo stavite komplet baterija. ■ Napunite komplet baterija.
Glava trimera ne izvlači reznu nit.	<ul style="list-style-type: none"> ■ Vratilo motora ili glavu trimera blokira travu. ■ Na kalemu nema dovoljno rezne niti ili se nit otkinula na ušici. ■ Rezna nit se zapetljala. ■ Rezna nit je prekratka. ■ Upotrebljava se debela rezna nit. ■ Kvar glave trimera. 	<ul style="list-style-type: none"> ■ Zaustavite trimer, izvadite bateriju i očistite vratilo motora i glavu trimera. ■ Izvadite bateriju i zamijenite reznu nit uz praćenje uputa u odjeljku "ZAMJENA REZNE NITI" u ovom priručniku. ■ Izvadite bateriju, uklonite reznu nit iz glave trimera i ponovo je namotajte uz praćenje uputa u odjeljku "PONOVO NAMOTAVANJE REZNE NITI" u ovom priručniku. ■ Izvadite bateriju i rukom povucite rezne niti dok naizmjenično pritišćete i otpuštate glavu trimera. ■ Upotrebljavajte preporučenu najlonsku reznu nit prečnika od 2,4 mm. ■ Za pomoć se obratite centru korisničke službe proizvođača EGO.
Glava trimera nastavlja automatski otpuštati reznu nit.	<ul style="list-style-type: none"> ■ Upotrebljava se tanka rezna nit. 	<ul style="list-style-type: none"> ■ Використовуйте рекомендовану нейлонову ріжучу ліску з діаметром 2,4 мм.

PROBLEM	UZROK	ВИПШЕННЯ
Trava se omotava oko glave trimera i kućišta motora.	<ul style="list-style-type: none"> Visoka trava reže se od nivoa tla. 	<ul style="list-style-type: none"> Visoku travu režite odozgo prema dolje i pritom nemojte rezati više od 20 cm u svakom prolazu da izbjegnute omotavanje.
Nož ne reže reznu nit.	<ul style="list-style-type: none"> Nož za rezanje rezne niti na rubu štitnika je tup. 	<ul style="list-style-type: none"> Nož za rezanje rezne niti naoštrite turpijom prema uputstvima ili ga zamijenite novim.
Pukotine na glavi trimera	<ul style="list-style-type: none"> Glava trimera je istrošena. 	<ul style="list-style-type: none"> Odmah zamijenite glavu trimera uz praćenje uputa u poglavlju "ZAMJENA GLAVE TRIMERA" u ovom priručniku.
Reznu nit nije moguće pravilno namotati u glavu trimera.	<ul style="list-style-type: none"> Upotrebljava se neodgovarajuća rezna nit. U glavi trimera nakupile su se naslage trave ili nečistoće i blokiraju kretanje kalema za nit. Motor se pregrijava zbog ponavljanoog rada sistema namotavanja niti. Nizak kapacitet baterije Rezna nit nije namotana u sklop kalema. Glava trimera je neispravna. 	<ul style="list-style-type: none"> Preporučujemo upotrebu originalne najlonske rezne niti proizvođača EGO. Ako upotrebljavate najlonsku reznu nit proizvođača EGO, a problem i dalje postoji, za savjet nazovite EGO korisničku službu. Izvadite bateriju, otvorite glavu trimera i dobro je očistite. Neka trimer za travu s reznom niti nekoliko minuta radi bez opterećenja da se motor ohladi, a zatim pokušajte ponovno namotati reznu nit. Napunite bateriju. Izvučite reznu nit i ponovno je umetnite. Za pomoć se obratite centru korisničke službe proizvođača EGO.
Reznu nit nije moguće provući kroz glavu trimera pri umetanju niti.	<ul style="list-style-type: none"> Rezna nit se rascijepila ili savila na kraju. 	<ul style="list-style-type: none"> Odrežite istrošeni kraj rezne niti i ponovo umetnite..

GARANCIJA

POLITIKA GARANCIJE PROIZVOĐAČA EGO

Za sve odredbe i uslove politike garancije proizvođača EGO posjetite internetsku stranicu egopowerplus.eu.

المشكلة	السبب	الحل
لا يمكن سحب الخيوط إلى داخل رأس الجازاة كما ينبغي.	<ul style="list-style-type: none"> ■ تم استخدام خيوط قطع غير ملائم. ■ هناك تراكم لمخلفات العشب والتراب في رأس الجازاة، وهو ما يمنع حركة ملف الخيوط. ■ ترتفع درجة حرارة المحرك بسبب التشغيل المتكرر لنظام سحب الخيوط. ■ شحن البطارية منخفض ■ لم يتم سحب الخيوط إلى تجميعه ملف الخيوط. ■ هناك عطل في رأس الجازاة. 	<ul style="list-style-type: none"> ■ نوصيك باستخدام خيوط الجرز الأصلي المصنوع من النايلون من شركة EGO. إذا كنت تستخدم مشكلة خيوط النايلون من شركة EGO واستمرت المشكلة، يُرجى الاتصال بقسم خدمة بشركة EGO طلبًا للمساعدة. ■ اخلع البطارية، وافتح رأس الجازاة ونظفه بعناية. ■ اترك الجازاة العاملة بالخيوط تعمل بدون حمل لعدة دقائق حتى يبرد المحرك، وبعد ذلك حاول إعادة تركيب الخيوط. ■ اشحن البطارية ■ اسحب الخيوط للخارج وأعد إدخاله. ■ اتصل بقسم خدمة العملاء بشركة EGO طلبًا للمساعدة.
لا يمكن تمرير خيوط الجرز عبر رأس الجازاة عند إدخال الخيوط.	<ul style="list-style-type: none"> ■ خيوط الجرز منقسم أو مثني عند الطرف. 	<ul style="list-style-type: none"> ■ اقطع طرف الخيوط المتآكل، ثم أعد إدخال الخيوط.

الضمان

سياسة ضمان EGO

تفضل بزيارة الموقع الإلكتروني egopowerplus.eu للتعرف على الشروط والأحكام الكاملة الخاصة بسياسة ضمان EGO.

المشكلة	السبب	الحل
لا يقوم رأس الجَزَاة بدفع الخيط للأمام.	<ul style="list-style-type: none"> ■ هناك عشب ملتف حول عمود المحرك أو رأس الجَزَاة. ■ لا يوجد خيط كافٍ على ملف الخيوط، أو ينقطع الخيط من موضع خروجه من الثقب. ■ الخيط متشابك. ■ الخيط قصير للغاية. ■ تم استخدام خيط قطع ثقيل. ■ هناك خلل في رأس الجَزَاة. 	<ul style="list-style-type: none"> ■ أوقف الجَزَاة، واخلع البطارية، ونظف عمود المحرك ورأس الجَزَاة. ■ اخلع البطارية واستبدل خيط الجَزَاة؛ وذلك باتتباع التعليمات الواردة في قسم "استبدال الخيط" من هذا الدليل. ■ اخلع البطارية، واخلع الخيط من رأس الجَزَاة وأعد لفة؛ واتتبع التعليمات الواردة في قسم "إعادة تحميل خيط الجَزَاة" من هذا الدليل. ■ اخلع البطارية واسحب الخيوط يدويًا بينما تقوم بشكل متناوب بالضغط على رأس الجَزَاة لأسفل ثم تحريرها. ■ استخدم خيط الجَزَاة الموصى به من النايلون بقطر 2.4 مم. ■ اتصل بقسم خدمة العملاء بشركة EGO طلبًا للمساعدة.
يستمر رأس الجَزَاة في تحرير الخيط تلقائيًا.	<ul style="list-style-type: none"> ■ تم استخدام خيط قطع خفيف. 	<ul style="list-style-type: none"> ■ استخدم خيط الجَزَاة الموصى به من النايلون بقطر 2.4 مم.
العشب ملتف حول رأس الجَزَاة وهيكل المحرك.	<ul style="list-style-type: none"> ■ جز العشب الطويل عند مستوى الأرض. 	<ul style="list-style-type: none"> ■ اقطع العشب الطويل من أعلى لأسفل، مع إزالة طول لا يزيد عن 20 سم في كل مرة لمنع التفاف العشب على أجزاء الآلة.
الشفرة لا تقطع الخيط.	<ul style="list-style-type: none"> ■ أصبحت شفرة قطع الخيط الموجودة على حافة الوافي غير حادة. 	<ul style="list-style-type: none"> ■ اتتبع التعليمات الخاصة بشحن شفرة قطع الخيط باستخدام مبرد أو استبدالها بشفرة جديدة.
التشققات في رأس الجَزَاة	<ul style="list-style-type: none"> ■ رأس الجَزَاة متهالك. 	<ul style="list-style-type: none"> ■ استبدل أس الجَزَاة على الفور؛ وذلك باتتباع التعليمات الواردة في قسم "استبدال رأس الجَزَاة" من هذا الدليل.

استكشاف الأعطال وإصلاحها

المشكلة	السبب	الحل
لا يمكن بدء تشغيل الجزازة العاملة بالخيوط.	<ul style="list-style-type: none"> ■ مجموعة البطارية غير مركبة في الجزازة. ■ لا يوجد اتصال كهربائي بين الجزازة والبطارية. ■ نفذ شحن مجموعة البطارية. ■ لا يمكن تحريك مفتاح القفل للأمام قبل الضغط لأسفل على الزناد الزنبركي ذي السرعة المتغيرة. ■ هناك عشب ملتف حول عمود المحرك أو رأس الجزازة. 	<ul style="list-style-type: none"> ■ قم بتركيب مجموعة البطارية في الجزازة. ■ اخلع البطارية، وافحص التوصيلات، ثم أعد تركيب مجموعة البطارية. ■ اشحن مجموعة البطارية. ■ حرك لسان القفل للأمام، ثم اضغط على الزناد الزنبركي ذي السرعة المتغيرة. ■ أزل الحشائش من عمود المحرك ورأس الجزازة.
الجزازة العاملة بالخيوط تتوقف أثناء الجز.	<ul style="list-style-type: none"> ■ الواقي غير مركب على الجزازة، وهو ما يؤدي إلى خيط قطع طويل للغاية ووجود حمل زائد على المحرك. ■ تم استخدام خيط قطع ثقيل. ■ مجموعة البطارية أو الجزازة العاملة بالخيوط ساخنة للغاية. ■ مجموعة البطارية مفصولة من الآلة. ■ نفذ شحن مجموعة البطارية. 	<ul style="list-style-type: none"> ■ اخلع مجموعة البطارية وركب الواقي على الجزازة. ■ استخدم خيط الجز الموصى به من النايلون بقطر 2.4 مم. ■ اترك البطارية أو الجزازة العاملة بالخيوط تبرد. ■ أعد تركيب مجموعة البطارية. ■ اشحن مجموعة البطارية.

- حافظ على خلو فتحات الهواء من العوائق.

شحن شفرة قطع الخيط

تحذير: احرص دائماً على حماية يديك عن طريق ارتداء قفازات قوية عند إجراء أي أعمال صيانة على شفرة قطع الخيط.

- قم بفك المسمارين وإخلع شفرة قطع الخيط من الواقى (الشكل O).

O-1	مسمارين	O-2	شفرة قطع الخيط
-----	---------	-----	----------------

- ثبت الشفرة في منجلة.
- إبرد حواف القطع بالشفرة بحذر باستخدام مبرد ناعم الأسنان أو حجر سنّ، مع مراعاة الحفاظ على زاوية حافة القطع الأصلية.
- أعد تركيب الشفرة في الواقى مع تأمينها في مكانها باستخدام المسمارين المخصصين لذلك.

تخزين الوحدة

- إخلع مجموعة البطارية من الجرّازة.
- نظف الآلة جيداً قبل تخزينها.

خزن الوحدة في منطقة جافة جيدة التهوية، بحيث يكون في مكان مقفل أو عالٍ عن سطح الأرض بعيداً عن متناول أيدي الأطفال. لا تقم بتخزين الوحدة على الأسمدة أو البنزين أو المواد الكيميائية الأخرى، أو بجاورها.

حماية البيئة

لا تتخلص من المعدات الكهربائية أو البطارية المستهلكة أو الشاحن في النفايات المنزلية! بل توجه بهذا المنتج إلى مركز إعادة تدوير معتمد ليكون متاحاً للفرز بشكل منفرد. تجب إعادة الآلات الكهربائية إلى مرفق إعادة تدوير صديق للبيئة.



N3-1	صامولة	N3-2	جهاز ربط بالصدمات (غير مرفق)
------	--------	------	------------------------------

- إخلع تجميعية ملف الخيوط والجلبة من عمود المحرك. احتفظ بالجلبة للتجميع لاحقاً.
- استبدل رأس الجرّازة بأخر جديد، ثم ركبها وفقاً للخطوات التالية.

لتركيب رأس الجرّازة الجديد

- قم بتركيب الجلبة في عمود المحرك، وقم بتركيب تجميعية ملف الخيوط في مكانها. استخدم جهاز ربط بالصدمات لربط الصامولة بإحكام.
- قم بتركيب تجميعية الغطاء السفلي (انظر الشكل M3).
- أعد تحميل خيط الجرّازة.
- أبدأ تشغيل الآلة لترى ما إذا كانت الجرّازة العاملة بالخيوط ستعمل بشكل طبيعي. إن لم تعمل بشكل طبيعي، أعد تجميعها على النحو الموضح أعلاه.

الصيانة

تحذير: استخدم فقط قطع غيار أصلية عند إجراء أعمال الصيانة. لأن استخدام أي أجزاء أخرى قد ينشأ عنه خطر أو يتسبب في تعرض المنتج للتلف. لضمان السلامة والاعتمادية، يجب تنفيذ جميع أعمال الإصلاح من قبل فني خدمة مؤهل.

تحذير: لمنع التعرض لإصابات شخصية خطيرة، إخلع مجموعة البطارية من الآلة قبل إجراء أعمال الصيانة، أو التنظيف، أو إزالة المواد من الوحدة.

تنبيه: العوائق الموجودة في الفتحات قد تمنع الهواء من التدفق في هيكل المحرك، وهو ما قد يؤدي إلى السخونة المفرطة أو تلف المحرك.

تنظيف الوحدة

- نظف الوحدة باستخدام قطعة قماش مبللة مع منظف خفيف. لا تسمح أبداً بدخول أي سوائل إلى داخل الآلة؛ ولا تعمر أي جزء منها في السوائل بأي حال من الأحوال.
- لا تستخدم أي منظفات قوية على الهيكل البلاستيكي أو المقيض. لأنهم معرضون للتلف بفعل زيوت عطرية معينة، مثل الصنوبر والليمون، وبفعل محاليل مثل الكيروسين. كما قد تتسبب الرطوبة في التعرض لصدمة كهربائية. امسح أي بلل بقطعة قماش جافة ناعمة.
- استخدم فرشاة صغيرة أو التفريغ الهوائي لفرشاة مكثسة كهربائية صغيرة في تنظيف فتحات الهواء الموجودة بالهيكل الخلفي.

استبدال الخيط

ملاحظة: احرص دائماً على استخدام خيط النايلون الموصى به بقطر 2.4 مم.

لأن استخدام خيط آخر غير الموصى به قد يتسبب في السخونة المفرطة للآلة أو تعرضه للتلف.

تحذير: لا تقم أبداً باستخدام خيط معزز معدنيًا، أو سلك معدني، أو حبل، أو ما شابه ذلك. لأن تلك الأشياء قد تنقطع وتتسبب في تطاير أشياء خطيرة.

الجزازة العاملة بالخيط مجهزة بنظام POWERLOAD™ المتقدم. حيث يمكن لف خيط الجزّ على ملف الخيوط بكل بساطة عند الضغط على زر واحد. عادة ما يمكن تحميل ملف خيوط كامل خلال 12 ثانية. **تجنب التشغيل المتكرر لنظام سحب الخيط بتعاقب سريع للحد من احتمالية تعرض المحرك للتلف.**

1. اخلع مجموعة البطارية.
2. اقطع قطعة من خيط الجزّ طولها 4 أمتار.
3. أدخل الخيط في الثقب، وادفع الخيط إلى أن يخرج طرف الخيط من الثقب في الجهة المقابلة (الشكل L1).

L1-1	خيط الجزّ	L1-2	ثقب
------	-----------	------	-----

ملاحظة: ليس من الضروري محاذة الثقوب من أجل إدخال خيط الجزّ. إذا تعذر إدخال الخيط عبر الثقب، قم بتركيب مجموعة البطارية في الجزازة، ثم اضغط على زر POWERLOAD لوهلة قصيرة لإعادة تعيين آلية سحب الخيط.

4. اخلع مجموعة البطارية إذا كان قد تم تركيبها في الجزازة في الخطوة 3.
5. اسحب الخيط من الجانب الآخر حتى ظهور نفس الطول للخيط على كلا جانبي رأس الجزازة (الشكل L2).
6. قم بتركيب مجموعة البطارية في الجزازة العاملة بالخيط.

7. اضغط مع التثبيت على زر POWERLOAD لبدء تشغيل محرك سحب الخيط. سيتم سحب الخيط إلى داخل رأس الجزازة بشكل متواصل.
8. انتبه لطول الخيط المتبقي بعناية. استعد لتحرير الزر بمجرد بقاء حوالي 22 سم من الخيط على كلا الجانبين. اضغط برفق على زر تحميل الخيط لتعديل الطول إلى يظهر 18 سم من الخيط على كلا الجانبين (الشكل L3).

ملاحظة: في حال سحب الخيط إلى داخل رأس الجزازة دون قصد، افتح الرأس واسحب خيط الجزّ من ملف الخيوط. اتبع التعليمات الواردة في قسم "إعادة تحميل خيط الجزّ" من هذا الدليل لإعادة تحميل الخيط.

إعادة تحميل خيط الجزّ

ملاحظة: إذا تعثر خيط الجزّ في رأس الجزازة، سوف تحتاج إلى إزالة خيط الجزّ المتبقي من رأس الجزازة، واتباع الخطوات أدناه لإعادة تحميل الخيط.

1. اخلع مجموعة البطارية.
2. اضغط على ألسنة التحرير الموجودة برأس الجزازة، واخلع تجميع الغطاء السفلي الموجود برأس الجزازة عن طريق سحبها للخارج بشكل مستقيم (الشكل M1 و M2).

M1-1	لسان التحرير	M1-2	تجميع الغطاء السفلي
------	--------------	------	---------------------

3. اخلع خيط الجز من رأس الجزازة.
4. بينما تمسك بالجزازة بإحدى يديك، استخدم اليد الأخرى في الإمساك بتجميع الغطاء السفلي مع محاذة الفتحات الموجودة في تجميع الغطاء السفلي مع ألسنة التحرير. اضغط على تجميع الغطاء السفلي إلى أن تنتشك في مكانها، وحين يحدث ذلك ستسمع صوت نفرة واضحة (الشكل M3).

M3-1	لسان التحرير	M3-2	فتحة
------	--------------	------	------

5. اتبع التعليمات الواردة في قسم "استبدال الخيط" لإعادة تحميل خيط الجزّ.

استبدال رأس الجزازة

تحذير: إذا انفك الرأس بعد تثبيتها في موضعه، فاستبدله على الفور. احرص على ألا تستخدم أبداً جزازة بها ملحق جزّ مفكوك. استبدل رأس الجزّ المشقوق أو التالف أو المتآكل على الفور، حتى لو كان التلف مجرد تشققات سطحية. لأن مثل تلك الملحقات قد تتحطم عند السرعات العالية مسببة إصابات خطيرة.

تعرف على رأس الجزازة (الشكل N1)

N1-1	الغطاء السفلي	N1-2	صامولة
N1-3	تجميع ملف الخيوط	N1-4	جلية

لخلع رأس الجزازة

1. اخلع مجموعة البطارية.
2. اضغط على ألسنة التحرير الموجودة برأس الجزازة، واخلع الغطاء السفلي الموجود برأس الجزازة عن طريق سحبها للخارج بشكل مستقيم (انظر الشكل M1 و M2).
3. اخلع خيط الجز من رأس الجزازة (الشكل N2).
4. احرص على ارتداء قفازات. استخدم إحدى يديك في الإمساك بتجميع ملف الخيوط لتثبيتها، واستخدم اليد الأخرى في الإمساك بجهاز ربط بالخدمات (غير مرفق) لفك الصامولة عكس اتجاه عقارب الساعة (الشكل N3).

تركيب/خلع مجموعة البطارية

لا تستخدم الآلة إلا مع مجموعات بطارية وشواحن EGO المدرجة في الشكل A2.

اشحن البطارية بالكامل قبل الاستخدام لأول مرة.

للتثبيت

قم بمحاذاة دعامات البطارية مع فتحات التركيب، واضغط على مجموعة البطارية لأسفل إلى أن تسمع صوت "نقرة" (الشكل G1).

للخلع

اضغط لأسفل على زر تحرير البطارية، واسحب مجموعة البطارية للخارج (الشكل G2).

إمسك الجزارة العاملة بالخيوط (الشكل H)

للتشغيل بشكل أفضل وأكثر أماناً، ارتد حزام الكتف بحيث يمر عبر الكتف، اضبط طول حزام الكتف وموضعه على وضع تشغيل مريح – امسك الجزارة بكلتا يديك؛ إحدى اليدين على المقبض الخلفي والأخرى على المقبض الأمامي.

ملاحظة: ينبغي أن يكون رأس الجزارة موازياً للأرض على مسافة جزء ملائمة دون اضطراب مشغل الآلة للانحناء.

تحذير: عند حدوث طارئ، اخلع حزام الكتف عن كتفك على الفور، بغض النظر عن طريقة تثبيته.

بدء تشغيل/إيقاف الجزارة العاملة بالخيوط (الشكل I)

لبداء التشغيل

حرك لسان القفل للأمام، ثم اضغط على الزناد الزنبركي ذي السرعة المتغيرة.

يقوم المفتاح الزنبركي بضبط السرعة دون تدريج. فكلما سحبت المفتاح الزنبركي، زادت السرعة.

1-1	لسان القفل	1-2	الزناد الزنبركي ذو السرعة المتغيرة
-----	------------	-----	------------------------------------

لإيقاف

حرر الزناد الزنبركي ذا السرعة المتغيرة.

وظيفة ضبط السرعة (الشكل J)

الجزارة العاملة بالخيوط بها سرعتان. اضغط على المفتاح ثنائي السرعة لتغيير سرعة الفص بين منخفضة ومرتفعة.

يعرض مؤشر السرعة حالة السرعة النشطة: لمبة واحدة للسرعة المنخفضة، ولمبتان للسرعة العالية. يقدم نطاق السرعة المنخفضة تحكماً أفضل في الجزارة ووقت تشغيل أطول لكل شحنة.

1-1	مؤشر السرعة	2-J	المفتاح ثنائي السرعة
-----	-------------	-----	----------------------

استخدام الجزارة العاملة بالخيوط

تنظف منطقة الجرز قبل كل استخدام للآلة. تخلص من جميع الأشياء مثل الصخور أو الزجاج المكسور أو المسامير أو الأسلاك أو الخيوط التي قد تدخل في ملحق الجز أو تعيقه. أبق المنطقة خالية من الأطفال والمرافقين والحيوانات الأليفة. على الأقل، اجعل الأطفال والمرافقين والحيوانات الأليفة على مسافة لا تقل عن 15 مترًا؛ فقد يكون هناك خطر تعرض المرافقين للأشياء المتطايرة. يجب تشجيع المرافقين على ارتداء أدوات حماية العينين. عند اقتراب أي شخص، أوقف المحرك وملحق الجز على الفور.

قبل كل استخدام، افحص الأجزاء التالية/المتأكلة

افحص رأس الجزارة، والواقى، وحزام الكتف، وعروة حزام الكتف، والمقبض الأمامي. استبدل أي أجزاء متشققة أو المعوجة أو المتهتية أو التالفة بأي شكل من الأشكال.

قد تصبح شفرة قطع الخيوط الموجودة على حافة الواقى غير حادة مع مرور الوقت. من الموصى به أن تقوم بشحذها من أن لآخر باستخدام مبرد أو استبدالها بشفرة جديدة.

تحذير: احرص دائماً على ارتداء قفازات عند تركيب الواقى أو استبداله، أو عند شحذ شفرة قطع الخيوط أو استبدالها. انتبه لمكان الشفرة الموجودة عند الواقى، واحم يديك من التعرض لإصابات.

تحقق من انسداد رأس الجزارة

■ لمنع الانسداد، حافظ على نظافة رأس الجزارة. قم بإزالة قصاصات العشب والأوراق والأوساخ وأي عوائل متراكمة أخرى قبل كل استخدام وبعده.

■ عند حدوث انسداد، أوقف تشغيل جزارة الخيوط واخلع البطارية، ثم قم بإزالة أي عشب قد يكون ملفوفاً حول عمود المحرك أو رأس الجزارة.

تنظف الجزارة بعد كل استخدام.

تعديل طول خيط الجرز

رأس الجزارة بتقنية التلقيم LINE-IQ مجهزة بتقنية متقدمة.

إذا كان أي طرف من أطراف خيط الجرز متأكلاً لأقل من 18 سم أثناء الجز، سيقوم رأس الجزارة بتحرير خيط الجز تلقائياً، ويتم قطع الجزء الزائد من خيط الجز باستخدام شفرة قطع الخيوط (الشكل K).

ملاحظة: لا حاجة للفرق على رأس الجزارة لتحرير خيط الجرز. إذا شعرت بهزة طفيفة في رأس الجزارة أثناء جز العشب، فهذه إشارة إلى أنه يتم تحرير خيط الجرز تلقائياً.

تحذير: لا تقم بخلع أو تعديل جميعية شفرة قطع الخيوط الطول الزائد في الخيوط قد يتسبب في سخونة المفرطة للمحرك، ما قد يؤدي إلى التعرض لإصابات شخصية خطيرة.

2. لضبط ارتفاع الجزارة (أي، طول العمود)، افتح طوق قفل ضبط الارتفاع، ثم حرك العمود لأعلى أو لأسفل وصولاً إلى الارتفاع المرغوب، ثم ثبته في مكانه عن طريق الضغط لأسفل على طوق قفل ضبط الارتفاع (الشكل E).

E-1	طوق قفل ضبط الارتفاع
-----	----------------------

ملاحظة: قد يحتاج المقبض الأمامي إلى إعادة ضبط ارتفاعه بعد تغيير ارتفاع الجزارة.

تركيب حزام الكتف

للحصول على تشغيل آمن وأفضل، ضع الحزام فوق أحد كتفيك ومرره عبر ظهرك.

1. فك المسمار ذا المقبض والصامولة سداسية الرأس من عروة حزام الكتف (الشكل F1).

F1-1	المسمار ذو المقبض	F1-2	صامولة سداسية الرأس
F1-3	عروة حزام الكتف		

2. ضع عروة حزام الكتف في موضع تشغيل مريح داخل نطاق منطقة التركيب، ثم ثبتها عن طريق ربط المسمار ذي المقبض.

3. اضغط لأسفل على الطوق المعدني الخاص بحزام الكتف لفتحه، ثم قم بتركيب حزام الكتف في الفتحة الموجودة بعروة الحزام (الشكل F2).

4. اضبط طول حزام الكتف وموضعه على وضع تشغيل مريح.

- تحذير:** شريط الكتف مزود أيضاً بالية التحرير السريع في المواقف الخطرة. عند حدوث طارئ، اخلعه عن كتفك على الفور، بغض النظر عن طريقة تثبيته.
- عند ارتداء الحزام، يجب ألا تتداخل أي أشياء أخرى قابلة للارتداء مع تحرير الحزام وإزالته.
- يجب ألا تستخدم حزام الكتف المفرد وحزام الكتف المزود بشكل متزامن.

التشغيل

- تحذير:** احرص دائماً على ارتداء واقبات للعينين أو نظارات حماية مزودة بواقبات على الجانبين، بالإضافة إلى أدوات حماية الأذنين. قد ينجم عن عدم الامتثال لذلك دخول أشياء في عينيك، واحتمالية وقوع إصابات خطيرة.

الجزء: جز العشب والحشائش الضارة من حول الأروقة والسباح والأسطح المزخرقة.

القص: العشب الذي يصعب الوصول إليه باستخدام جزارة عادية.

تركيب الواقي

- تحذير:** احرص دائماً على ارتداء قفازات عند تركيب الواقي أو استبداله. كن حذراً من الشفرة المثبتة على الواقي، واحم يديك من التعرض للإصابة بفعال الشفرة.

- تحذير:** لا يجب مطلقاً تشغيل الآلة من دون تثبيت الواقي بإحكام في مكانه. يجب تركيب الواقي دائماً في الآلة لحماية المستخدم! عندما يكون الواقي مثبتاً، لا تحاول أبداً خلع الواقي أو تعديل وضعه؛ وعند الحاجة لاستبداله، ينبغي أن يقوم بذلك فني صيانة متخصص!

ضع الجزارة بحيث يكون رأس الجزارة متجهاً لأعلى (الشكل C1). قم بمحاذاة فتحات تركيب الواقي مع فتحات التجميع، ثم ثبت الواقي على قاعدة العمود بالمسمارين (الشكل C2).

- ملاحظة:** احرص على تثبيت الواقي وفقاً للشكلين C1 و C2، لأن أي تثبيت يخالف ذلك قد يتسبب في مخاطر كبيرة!

تركيب المقبض الأمامي وضبطه

1. قم بفك وإزالة رافعة التحرير السريع والصامولة المجنحة من المقبض الأمامي (الشكل D1).

D1-1	المقبض الأمامي	D1-2	كتلة المشبك
D1-3	صامولة مجنحة	D1-4	رافعة التحرير السريع

2. ادفع المقبض الأمامي على العمود داخل منطقة التركيب بين طوق قفل ضبط الارتفاع والمفصلة (الشكل D2).

3. أدخل كتلة المشبك في فتحة المقبض (الشكل D3).

4. قم بتركيب رافعة التحرير السريع، وارتبط الصامولة المجنحة بشكل مسبق. احرص على أن يكون المقبض الأمامي متجهاً لأعلى ويشير إلى ناحية الجزء العلوي من المقبض الخلفي (الشكل D4).

5. اسحب رافعة التحرير السريع لأعلى لتحرير/تدوير المقبض الأمامي إلى وضع تشغيل مريح، وبعد ذلك اقل رافعة التحرير السريع (الشكل D5).

ملاحظة: يجب ضبط موضع المقبض الأمامي على العمود في نطاق منطقة التركيب فقط.

- تحذير:** لا يمكن استخدام الآلة دون إحكام تثبيت المقبض الأمامي.

ضبط ارتفاع الجزارة

إذا كان طول العمود غير مناسب للتشغيل، فيمكنك ضبط طول العمود من خلال طوق قفل ضبط الارتفاع.

1. اخلع مجموعة البطارية من الجزارة.

المواصفات

5. مؤشر السرعة
6. طوق قفل ضبط الارتفاع
7. مقبض أمامي سريع قابل للضبط
8. رافعة التحرير السريع
9. مفصلة ومسمار القفل
10. زر POWERLOAD™
11. رأس الجزارة (مع التلقيم بتقنية LINE-IQ)
12. خيط الجزّ
13. لسان التحرير
14. شفرة قطع الخيط
15. الواقي
16. آلية الإخراج
17. لسان
18. زر تحرير البطارية
19. مفتاح ربط سداسي (الأنكيه)
20. عروة حزام الكتف
21. حزام الكتف

قائمة المحتويات (الشكل A1)

التجميع

⚠ تحذير: إذا حدث تلف أو فقد في أي أجزاء، لا تقم بتشغيل هذا المنتج إلا بعد استبدال الأجزاء. استخدام هذا المنتج مع وجود أجزاء تالفة أو مفقود قد يؤدي إلى وقوع إصابات شخصية خطيرة.

⚠ تحذير: لا تحاول إجراء أي تعديلات على هذا المنتج أو ابتداء ملحقات غير موصى بها للاستخدام مع جزارة الخيط هذه. أي تغيير أو تعديل من هذا النوع يعتبر سوء استخدام، وقد يؤدي إلى وضع خطير قد يتسبب في وقوع إصابات شخصية خطيرة محتملة.

⚠ تحذير: لمنع بدء التشغيل غير المقصود، والذي قد يؤدي إلى وقوع إصابات شخصية خطيرة، احرص دائماً على خلع مجموعة البطارية من الآلة عند تجميع الأجزاء.

فك طبي عمود الإدارة

⚠ تحذير: لا تمسك عمود الإدارة من المفصل كي تتجنب إصابة يديك أو أصابعك بالأذى.

⚠ تحذير: لا تحاول بدء تشغيل الجزارة إلا بعد التأكد من قفل عمود الإدارة في موضعه بإحكام.

فك طبي عمود الإدارة برفق، مع الانتباه للكابلات الموجود بداخله، ثم تثبيت عمود الإدارة بمسمار باستخدام مفتاح الربط المرفق (الشكل B1 و B2).

الجهد الكهربائي	56 فولت ---
السرعة بدون حمل	مدى السرعة المنخفضة: 3500-4800 دقيقة ¹ مدى السرعة العالية: 4000-5500 دقيقة ¹
آلية خيط الجزّ	التلقيم بتقنية LINE-IQ
نوع خيط الجزّ	خيط مجدول من النايلون 2.4 مم
عرض الجزّ	40 مم
درجة حرارة التشغيل الموصى بها	0 - 40 درجة مئوية
درجة حرارة التخزين	20- 70 درجة مئوية
الوزن (بدون وحدة البطارية)	3.5 كجم
مستوى قوة الصوت المُقترّر L _{WA}	90 ديسيبل (A) 2.5=K ديسيبل (A)
مستوى ضغط الصوت عند أذن مُشغل الآلة L _{PA}	77 ديسيبل (A) 3=K ديسيبل (A)
مستوى قوة الصوت المضمون L _{WA} (تم قياسه وفقاً للمعيار 2000/14/EC)	92 ديسيبل (A)
القيمة المقدرة للاهتزاز a _h	المقبض 3.9 م/ثانية ² 1.5=K م/ثانية ²
	المقبض الخلفي 2.7 م/ثانية ² 1.5=K م/ثانية ²

■ القيمة الكلية للاهتزاز الموضحة تم قياسها وفقاً لطريقة اختبار قياسية وقد تستخدم لمقارنة أداة بأخرى؛

■ كما يمكن استخدام القيمة الكلية للاهتزاز الموضحة في التقييم التمهيدي للتعرض.

ملاحظة: قد تختلف انبعاثات الاهتزاز أثناء الاستخدام الفعلي للآلة العاملة بالطاقة عن القيمة المعلنة التي يتم استخدام الآلة فيها؛ ولحماية مشغل الآلة، ينبغي على المستخدم ارتداء قفازات وواقبات للأذن في ظروف الاستخدام الفعلية.

الوصف

تعرف على الجزارة العاملة بالخيط (الشكل A1)

1. الزناد الزنبركي ذو السرعة المتغيرة
2. المقبض الخلفي
3. لسان القفل
4. مفتاح ثنائي السرعة

رموز السلامة

قد يؤدي تشغيل أي آلة عاملة بالطاقة إلى دخول أي أشياء غريبة في عينيك، وهو ما قد يؤدي إلى إلحاق أضرار خطيرة بالعين. قبل بدء تشغيل الآلة العاملة بالطاقة، احرص دائماً على ارتداء واقيات العينين أو نظارات حماية العينين ذات دروع جانبية، ودرع واقي لكامل الوجه عند اللزوم. نوصي بارتداء قناع السلامة واسع الرؤية لاستخدامه فوق نظارات العين أو نظارات السلامة العادية ذات الدروع الجانبية.

اقرأ جميع التعليمات!



للحد من خطر التعرض لإصابة، ينبغي على المستخدم قراءة دليل التشغيل.



تنبيه سلامة



الحماية من تناثر الماء IPX4

ارتد أدوات حماية العينين-ارتد دائماً نظارات الحماية المزودة بواقيات على الجانبين، وينبغي ارتداء واقي لكامل الوجه أثناء تشغيل هذا المنتج.



مستوى قوة الصوت المضمون.



ارتد أدوات حماية الأذنين-احرص دائماً على ارتداء أدوات حماية الأذنين عند تشغيل هذا المنتج.



احذر الأشياء المتطايرة — فالأشياء المتطايرة من الآلة قد ترتد وتؤدي إلى إصابات شخصية أو تلف للممتلكات. احرص على بقاء الأشخاص الآخرين والحيوانات الأليفة بعيداً عن الحزازة العاملة بالخيط أثناء استخدامها.



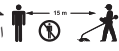
لا يجب التخلص من الأجهزة الكهربائية المستهلكة في النفايات المنزلية. توجه بالجهاز إلى مركز إعادة تدوير معتمد.



لا تستخدم الشفرات المعدنية مع الحزازة العاملة بالخيط



حافظ على مسافة الأمان — يجب ألا تقل المسافة بين الآلة والأشخاص الواقفين عن 15 متراً.



قطر الخيط-قطر خيط الجرز المصنوع من النايلون



عرض الجرز-الحد الأقصى لعرض جزر حزازة الخيط



هذا المنتج متوافق مع توجيهات شهادة الجودة الأوروبية (CE) المعمول بها.



افصل مجموعة البطارية من الحزازة العاملة بالخيط قبل إجراء أعمال الصيانة أو التنظيف.



الجهد الكهربائي V

هذا المنتج متوافق مع تشريعات المملكة المتحدة المعمول بها.



مليمتر mm

أمبير A

كيلوجرام kg

سنتيمتر cm

في الدقيقة ... /min

تيار مستمر

בעיה	סיבה	פתרון
לא ניתן להכניס את חוט החיתוך אל ראש החרמש כהלכה.	<ul style="list-style-type: none"> ■ נעשה שימוש בחוט חיתוך לא מתאים. ■ אשפת דשא או אבק הצטברו בראש החרמש וחסמו את תנועת סליל החוט. ■ המנוע התחמם יתר על המידה בגלל הפעלה מתמדת של מערכת ליפוף החוט. ■ קיבולת סוללה נמוכה ■ החוט אינו מלופף בתוך מכלול הסליל. ■ ראש החרמש פגום. 	<ul style="list-style-type: none"> ■ אנו מציעים להשתמש בקו חיתוך הניילון המקורי של EGO. אם אתם משתמשים בחוט ניילון של EGO והבעיה ממשיכה, אנא צרו קשר עם מרכז השירות של EGO. ■ הסירו את הסוללה, פתחו את ראש החרמש ונקו אותו כהלכה. ■ תנו גזם החוט לעבוד ללא עומס לכמה דקות על מנת לקרר את המנוע ולאחר מכן נסו להטעין מחדש את החוט. ■ הטעינו את הסוללה ■ שלפו את החוט והכניסו אותו מחדש. ■ התקשרו לשירות הלקוחות של EGO לקבלת עזרה.
לא ניתן להעביר את חוט החיתוך דרך ראש החרמש בעת החדרת החוט.	<ul style="list-style-type: none"> ■ חוט החיתוך התפצל או התקפל בקצהו. 	<ul style="list-style-type: none"> ■ חתכו את הקצה בעל סימני הבלאי של החוט והכניסו מחדש.

אחריות

מדיניות האחריות של EGO

בקר באתר egopowerplus.eu כדי לעיין בתנאים וההתניות המלאים של מדיניות האחריות של EGO.

בעיה	סיבה	פתרון
ראש החרמש איננו מקדם את החוט.	<ul style="list-style-type: none"> מוט המנוע או ראש החרמש מלאים בדשא. אין מספיק חוט על גבי הסליל או שהחוט יוצא מן העינית. החוט הסתבר. 	<ul style="list-style-type: none"> הפסיקו את פעולת החרמש, הסירו את הסוללה ונקו את מוט המנוע ואת ראש החרמש. הסירו את הסוללה והחליפו את חוט החיתוך, עקבו אחר ההוראות בחלק "החלפת חוט החיתוך" המופיע במדריך זה. הסירו את הסוללה; הסירו את חוט החיתוך מראש החרמש ולפפו אותו מחדש, עקבו אחר ההוראות בחלק "טעינה מחדש של חוט החיתוך" המופיע במדריך זה. הסירו את הסוללה ומשכו את החוטים באופן ידני ובאותו זמן לחצו כלפי מטה ושחררו את ראש החרמש. השתמשו בחוט החיתוך המומלץ מניילון עם קוטר חוט של 2.4 מ"מ. התקשרו לשירות הלקוחות של EGO לקבלת עזרה.
ראש החרמש ממשוך לשחרר את החוט באופן אוטומטי.	<ul style="list-style-type: none"> נעשה שימוש בחוט חיתוך קל מדי. 	<ul style="list-style-type: none"> השתמשו בחוט החיתוך המומלץ מניילון עם קוטר חוט של 2.4 מ"מ.
הדשא מתלפף סביב ראש החרמש ותא המנוע.	<ul style="list-style-type: none"> גיזום של דשא גבוה בגובה הקרקע 	<ul style="list-style-type: none"> חתכו דשא גבוה מן החלק העליון כלפי מטה, כאשר אינכם מסירים יותר מ-20 ס"מ בכל מעבר על מנת למנוע ליפוף.
הלהב איננו חותך את החוט.	<ul style="list-style-type: none"> להב חוט החיתוך בקצה המגן הופך להיות קהה. 	<ul style="list-style-type: none"> עקבו אחר ההוראות והשחזרו את הלהב חוט החיתוך בעזרת פצירה או החליפו בלהב חדש.
סדקים בראש החרמש	<ul style="list-style-type: none"> ראש החרמש בלוי. 	<ul style="list-style-type: none"> החליפו את ראש החרמש מיד, עקבו אחר ההוראות בחלק "החלפת ראש החרמש" המופיע במדריך זה.

איתור וטיפול בבעיות

בעיה	סיבה	פתרון
לא ניתן להפעיל את גוזם החוט.	<ul style="list-style-type: none"> ■ מארז הסוללה איננו מחובר לחרמש. ■ אין מגע חשמלי בין החרמש לסוללה. ■ קיבולת מארז הסוללה ריקה. ■ מתג הנעילה לא הוזז קדימה לפני הלחיצה על מתג המהירות המשתנה. ■ מוט המנוע או ראש החרמש מלאים בדשא. 	<ul style="list-style-type: none"> ■ הצמידו את מארז הסוללה אל החרמש. ■ הסירו את הסוללה, בדקו את החיבורים והתקינו מחדש את מארז הסוללה. ■ הטען את מארז הסוללה. ■ הזיזו את לשון הנעילה קדימה ולאחר מכן לחצו על מתג המהירויות המגוונות. ■ הסירו את הדשא מפיר המנוע וראש החרמש.
גוזם החוט מפסיק את פעולתו בעת החיתוך.	<ul style="list-style-type: none"> ■ המגן איננו מורכב על גבי החרמש, כאשר התוצאה היא שחוט החיתוך ארוך מדי ויש עומס יתר על המנוע. ■ נעשה שימוש בחוט חיתוך כבד מדי. ■ מארז הסוללה או גוזם החוט חמים מדי. ■ מארז הסוללה מנותק מן המכשיר. ■ קיבולת מארז הסוללה ריקה. 	<ul style="list-style-type: none"> ■ הסירו את מארז הסוללה והרכיבו את המגן על גבי החרמש החשמלי. ■ השתמשו בחוט חיתוך המומלץ מניילון עם קוטר חוט של 2.4 מ"מ. ■ צננו את הסוללה או את גוזם החוט. ■ התקינו מחדש את מארז הסוללה. ■ הטען את מארז הסוללה.

- 3. הסירו את חוט החיתוך מראש החרמש (איור N2).
 - 4. חבשו כפפות. השתמשו ביד אחת כדי לאחוז בחיבור הסליל על מנת לייצב אותו וביד השנייה כדי לאחוז במפתח ברגים חשמלי (לא כלול) כדי לשחרר את הבורג נגד כיוון השעון (איור N3).
- | | | | |
|------|-----|------|----------------------------|
| N3-1 | אום | N3-2 | מפתח ברגים חשמלי (לא כלול) |
|------|-----|------|----------------------------|

- עשו שימוש במברשת קטנה או במברשת עם זרם האוויר של שואב אבק קטן על מנת לנקות את פתחי האוויר על התא האחורי.
- השאירו את פתחי האוויר פנויים מחסימה.

השחזת להב חיתוך החוט

⚠ אזהרה: הגנו תמיד על הידיים שלכם על ידי לבישת כפפות מוצקות בעת ביצוע כל פעולת תחזוקה בלהב חותך החוט.

1. שחררו את שני הברגים והסירו את להב חיתוך החוט מהמגן (איור O).

O-1	ברגים	O-2	להב חיתוך חוט
-----	-------	-----	---------------

2. החזיקו את הלהב בעזרת מלחציים.
3. השתמשו בפצירה לשיני הלהב או באבן חידוד על מנת לחדד בזירות את קצוות הלהב החיתוך, כאשר אתם שומרים על הזווית המקורית של קצה החיתוך.
4. הניחו מחדש את הלהב על גבי המגן והבטיחו אותו במקומו עם שני הברגים.

אחסון היחידה

- הסירו את מארז הסוללה מהחרמש.
- נקו את המכשיר ביסודיות לפני אחסונו.
- אחסנו את היחידה במקום יבש, מאורר היטב, נעול או במקום גבוה, הרחק מהישג ידם של ילדים. אל תאחסנו את היחידה קרוב לחומרי דשן, חומרי דלק או כימיקלים אחרים.

הגנה על הסביבה

אין לזרוק ציוד חשמלי, מטעני סוללות וסוללות ביחד עם אשפה ביתית! קח מוצרים אלו למרכז מחזור מוסמך ו-וודא שהם זמינים לאיסוף בנפרד. יש להחזיר כלים חשמליים אל מתקן מחזור המתאים לסביבה.



5. הסירו את מכלול הסליל והתותב מפיר המנוע. שמרו את התותב להרכבה מאוחרת יותר.

6. החליפו עם ראש חרמש חדש והרכיבו אותו לפי הצעדים הבאים:

התקנת ראש החרמש החדש

1. הרכיבו את התותב בפיר המנוע והרכיבו את מכלול הסליל במקומו. השתמשו במפתח ברגים חשמלי כדי להדק את האום.
2. הרכיבו את מכלול הכיסוי התחתון (ראו איור M3).
3. העמיסו מחדש את חוט החיתוך.
4. הפעילו את המכשיר על מנת לראות האם גזם החוט פועל כהלכה.

תחזוקה

⚠ אזהרה: במקרה של עבודות תיקון, השתמש רק בחלקי חילוף זהים. שימוש בחלקי חילוף אחרים עלול לגרום לסכנה או נזק למוצר. על מנת להבטיח בטיחות ואמינות, יש לבצע את כל התיקונים וההחלפות בעזרת טכנאי שירות מוסמך.

⚠ אזהרה: על מנת למנוע פציעות אישיות חמורות, הסירו את מארז הסוללה מכלי החשמל לפני ביצוע כל עבודת שירות, ניקיון, החלפת אביזרים או הסרה של חומרים מהמכשיר.

⚠ זהירות: מחסומים בפתחי האורור ימנעו מן האוויר לזרום אל תוך המנוע והתוצאה תהיה חימום יתר או נזקים למנוע.

ניקיון היחידה

- נקו את היחידה בעזרת מטלית לחה עם סבון עדין. לעולם אל תרשו לנוזלים להיכנס אל תוך הכלי; לעולם אל תטבילו כל חלק של המכשיר בתוך נוזלים.

יתר של המנוע והדבר עלול לגרום לפציעה אישית חמורה.

החלפת חוט החיתוך

הודעה: השתמשו תמיד בחוט החיתוך המומלץ מניילון עם קוטר של 2.4 מ"מ.

שימוש בחוט חיתוך אחר מאשר חוט החיתוך המצוין עלול לגרום לחימום יתר של המכשיר או לנזקים נוספים.

⚠ אזהרה: לעולם אל תשתמשו בחוט המחוזק במתכת, תיל או חבל וכד'. אלה עלולים להתנתק מן החרמש ולהוות סכנה.

גוזם החוט מצויד במערכת POWERLOAD™ מתקדמת. ניתן ללפף את חוט החיתוך אל הסליל פשוט על ידי לחיצת כפתור. העמסת סליל מלא בדרך כלל מסתיימת תוך 12 שניות. **הימנעו מפעולת ליפוף חוזרת בטווחי זמן קצרים על מנת להפחית את הסיכון לנזקים למנוע.**

1. הסירו את מארז הסוללה.
2. חתכו פיסה אחת של חוט חיתוך באורך 4 מ'.
3. הכניסו את החוט אל העינית ודחפו את החוט עד שהקצה השני של החוט יוצא מן העינית נגדית (איור L1).

L1-1	רוחב חיתוך	L1-2	עינית
------	------------	------	-------

הודעה: אין צורך ליישר את העיניות כדי להכניס את חוט החיתוך. אם לא ניתן להכניס את החוט לתוך העינית, הרכיבו את מארז הסוללות על החרמש ולאחר מכן לחצו על הכפתור POWERLOAD בקצרה כדי לאפס את מנגנון הליפוף.

4. הסירו את הסוללה אם היא הורכבה על החרמש בשלב 3.
5. דחפו ומשכו את החוט מן הצד השני עד אשר אורכים דומים של חוט נמצאים משני צדדי ראש החרמש (תמונה L2).
6. התקינו את מארז הסוללה אל גוזם החוט.
7. לחצו והחזיקו את הלחצן POWERLOAD על מנת להפעיל את מנוע הליפוף. החוט ילופף אל תוך ראש החרמש ללא הפסקה.
8. הביטו בזהירות באורך החוט הנותר. התכוננו לשחרר את הכפתור כאשר יש בערך 22 ס"מ של חוט מכל צד. לחצו בקצרה על כפתור ליפוף החוט על מנת לכוון את האורך עד שכ-18 ס"מ ס"מ של חוט נראים בכל צד (איור L3).

הודעה: במקרה בו החוט נכנס בטעות אל ראש החרמש, פתחו את הראש ומשכו את חוט החיתוך מן הסליל. קראו את החלק "טעינה מחדש של חוט החיתוך" במדריך זה על מנת לטעון מחדש את החוט.

טעינה מחדש של חוט החיתוך

הודעה: כאשר חוט החיתוך נתקע בראש החרמש, יהיה עליכם להסיר את חוט החיתוך הנותר מראשו של החרמש ולבצע את השלבים הבאים כדי לטעון מחדש את החוט.

1. הסירו את מארז הסוללה.
2. לחצו על לשוניות השחרור על ראש החרמש והסירו את מכסה ההרכבה התחתון של החרמש על ידי משיכתו החוצה בקו ישר (איור M1 ו-M2).

M1-1	לשוניות שחרור	M1-2	מכסה הרכבה תחתון
------	---------------	------	------------------

3. הסירו את חוט החיתוך מראש החרמש.
4. כאשר יד אחת מחזיקה את החרמש, השתמשו ביד השנייה על מנת לאחוז במכסה ההרכבה התחתון ויישרו את החריצים במכסה ההרכבה התחתון עם לשוניות השחרור. לחצו על מכסה ההרכבה התחתון עד אשר הוא נכנס למקומו, צליל "קליק" ברור יישמע (תמונה M3).

M3-1	לשונית שחרור	M3-2	חריץ
------	--------------	------	------

5. עקבו אחר ההוראות בחלק "החלפת חוט החיתוך" על מנת להטעין מחדש את חוט החיתוך.

החלפת ראש החרמש

⚠ אזהרה: אם הראש עדיין רופף לאחר קיבועו במקומו, החליפו אותו מיד. לעולם אל תשתמשו בחרמש כאשר אביזר החיתוך רופף. החליפו ראש חיתוך סדוק, ניזוק או בעל סימני בלאי מיד, אפילו אם הנזק מוגבל לסדקים שטחיים. חיבורים אלו עלולים להיהרס במהירויות גבוהות ולגרום לפציעה רצינית.

הכירו את ראש החרמש (איור N1)

N1-1	מכסה תחתון	N1-2	אום
N1-3	חיבור סליל	N1-4	תותב מסב

כדי להסיר את ראש החרמש

1. הסירו את מארז הסוללה.
2. לחצו על לשוניות השחרור על ראש החרמש והסירו את ראש החרמש על ידי משיכתו החוצה בקו ישר (ראה איור M1 ו-M2).

השימוש בגוזם החוט

נקו את האזור שיש לגזום לפני כל שימוש. הסירו עצמים כגון סלעים, שברי זכוכית, מסמרים, חוטים או כבלים העלולים להזיק או להיתפס באביזר החיתוך. ודאו שאין ילדים, עוברי אורח ובעלי חיים באזור. לכל הפחות, ודאו שילדים, עוברי האורח ובעלי חיים במרחק של לפחות 15 מ'; עדיין יכול להיות סיכון לעוברי אורח מעצמים נזרקים. יש לעודד עוברי אורח לחבוש אמצעי הגנה על העיניים. אם אתם רואים מישהו מתקרב, עצרו את המנוע ואת אביזר החיתוך מיד.

לפני כל שימוש, בדקו עבור חלקים עם בלאי/ניזוקים בדקו את ראש החרמש, המגן, רצועת הכתף, לולאת רצועת הכתף והידיית הקדמית. החליפו את כל החלקים הסדוקים, המעוותים, הכפופים או הפגומים.

להב חוט החיתוך בקצה המגן הופך להיות קשה עם הזמן. מומלץ להשחזר את להב חוט החיתוך בעזרת פצירה או להחליפו בלהב חדש.

⚠ אזהרה: חבשו תמיד כפפות בעת הרכבת המגן או ביצוע השחזת הלהב או החלפתו. שימו לב למיקום הלהב על המגן והגנו על ידיכם מפני פציעה.

בדקו אם יש חסימה של ראש הגוזם

- כדי למנוע חסימה, שמור על ראש הגוזם נקי. הסירו גזרי דשא, עלים, לכלוך וכל פסולת אחרת שהצטברה לפני ואחרי כל שימוש.
- כאשר החסימה מתרחשת, עצרו את גוזם הקו והסירו את הסוללה, ולאחר מכן הסירו את כל הדשא שאולי עסף את עצמו סביב מוט המנוע או ראש הגוזם.

לאחר כל שימוש, נקו את החרמש.

התאמת אורך חוט החיתוך

ראש חרמש ההזנה Line-IQ מצויד בטכנולוגיה מתקדמת.

אם אחד מקצות חוט החיתוך הוא פחות מ-18 ס"מ במהלך החיתוך, ראש החרמש ישחרר את חוט החיתוך באופן אוטומטי, והחלק הנוסף של חוט החיתוך ייחתך על ידי להב חיתוך החוט (איור K).

הודעה: אין צורך להקיש על ראש החרמש כדי לשחרר את חוט החיתוך. אם אתם מרגישים רעד קל של ראש החרמש בעת חיתוך הדשא, זה חוט החיתוך המשתחרר באופן אוטומטי.

⚠ אזהרה: לעולם אל תסירו או תשנו את מערך להב חוט החיתוך. חוט חיתוך ארוך מדי יגרום לחימום

הצמדה/הסרה של מארז הסוללה

יש להשתמש רק במארזי הסוללה והמטענים של EGO המפורטים באיור A2

יש לבצע הטענה מלאה לפני השימוש הראשון.

על מנת להצמיד

יישרו את עורקי הסוללה עם חריצי ההרכבה ולחצו את מארז הסוללה כלפי מטה עד אשר הישמע "קליק" (איור G1).

הסרה

לחצו על כפתור שחרור הסוללה והוציאו את מארז הסוללה (איור G2).

החזקת גוזם החוט (איור H)

עבור הפעלה טובה ובטוחה יותר, לבשו את רצועת הכתף מעל לכתף. כווננו את אורך רצועת הכתף ואת מיקומה לתנוחת הפעלה נוחה – החזיקו את החרמש בשתי הידיים: יד אחת על הידיית האחורית והיד השנייה על הידיית הקדמית.

הודעה: ראש החרמש מקביל לקרקע במרחק חיתוך מתאים ללא צורך שהמפעיל יתכופף.

⚠ אזהרה: במצב חירום, הסירו את רצועת הכתף מיד מהכתף, ללא קשר לדרך בה היא חוברה.

הפעלה/כיבוי של גוזם החוט (איור I)

הפעלה

הזיזו את לשון הנעילה קדימה ולאחר מכן לחצו על מתג המהירויות המגוונות.

למתג יש שלבים על מנת לכוונן את המהירות. ככל שתמשכו את המתג יותר, כך תגדל המהירות.

1-1	לשון נעילה	I-2	מתג למהירויות מגוונות
-----	------------	-----	-----------------------

ליכוי

שחררו את מתג המהירות המשתנה.

פונקציית כונון מהירות (איור J)

לגוזם החוט יש שתי הגדרות מהירות. לחץ על מתג 2 המהירויות כדי לשנות את מהירות החיתוך בין הנמוך לגבוה.

מחונן המהירות יציג את מצב המהירות הפעילה: נורה אחת למהירות נמוכה ושתי נורות למהירות גבוהה. טווח המהירות הנמוכה מספק שליטה טובה יותר על החרמש זמן פעולה ארוך יותר לכל טעינה.

J-1	מחונן מהירות	J-2	מתג 2-מהירויות
-----	--------------	-----	----------------

הרכבת המגן

⚠ אזהרה: חבשו תמיד כפפות בעת הרכבת או החלפת המגן. היו זהירים עם הלהב שעל גבי המגן והגנו על הידיים שלכם מפני חיתוך מהלהב.

⚠ אזהרה: לעולם אין להפעיל את המכשיר כאשר המגן איננו נמצא במקומו. על המגן להיות תמיד על גבי המכשיר על מנת להגן על המשתמש! כאשר המגן נמצא במקומו, לעולם אין לנסות להסיר או לכוון את המגן. אם יש צורך להחליף את המגן, על הדבר להיעשות על ידי טכנאי שירות מוסמך!

העמידו את החרמש שלכם כך שראש החרמש כלפי מעלה (איור C1). יישרו את חורי ההרכבה של המגן עם חורי ההרכבה ולאחר מכן נעלו את המגן אל בסיס המוט בעזרת שני הברגים (איור C2).

הודעה: וודאו שהמגן נעול במקומו בהתאם לאיורים C1 ו-C2, כל נעילה הפוכה תגרום לסכנה גדולה!

הרכבה וכוונן של ידית העזר הקדמית

1. שחררו והסירו את ידית השחרור המהיר ואת אום הכנף מהידיית הקדמית (איור D1).

D1-1	ידית קדמית	D1-2	בלוק הידוק
D1-3	אום פרפר	D1-4	ידית לשחרור מהיר

2. דחפו את ידית העזר הקדמית על המוט בין טבעת הנעילה והציר (איור D2).

3. הכניסו את בלוק הידוק אל חריץ הידית (איור D3).

4. הרכיבו את ידית מוט הנעילה, ומתחו קלות את בורג הפרפר. ודאו שידית העזר הקדמית פונה כלפי מעלה ומצביעה לכיוון החלק העליון של הידית האחורית (איור D4).

5. משכו את ידית השחרור המהיר כלפי מעלה כדי להזיז/לסובב את הידית הקדמית למצב הפעלה נוח, ולאחר מכן נעלו את ידית השחרור המהיר (איור D5).

הודעה: הידית הקדמית צריכה להיות ממוקמת על המוט רק בתוך אזור ההרכבה.

⚠ אזהרה: לא ניתן יהיה להשתמש בכלי ללא הידית הקדמית קבועה במקומה בבטחה.

התאמת גובה החרמש

אם אורך המוט אינו מתאים להפעלה, ניתן לכוון את אורכו באמצעות מלחצי נעילת גובה אלו.

1. הסירו את מארז הסוללה מהחרמש.

2. כדי לכוון את גובה החרמש (כלומר, אורך המוט), פתחו את צווארון נעילת הגובה, ולאחר מכן החליקו את המוט למעלה או למטה לגובה הרצוי, תוך אבטחתו במקומו על ידי לחיצה על צווארון נעילת הגובה (איור E).

E-1	טבעת נעילת גובה
-----	-----------------

הודעה: ייתכן שיהיה צורך למקם מחדש את הידית הקדמית לאחר שינוי גובה החרמש.

חיבור רצועת הכתפיים

לתפעול בטוח וטוב יותר, הניחו את הרצועה מעל אחת הכתפיים ולרוחב הגב.

1. שחררו את ידית הבורג ואת אום המשושה מלולאת רצועת הכתף (איור F1).

F1-1	ידית בורג	F1-2	אום משושה
F1-3	לולאת רצועת כתף		

2. הניחו את לולאת רצועת הכתף בתנוחת הפעלה נוחה בתוך אזור ההתקנה, ולאחר מכן התקינו אותה על ידי הידוק ידית הבורג ואום המשושה.

3. לחץ על הקרבינר של רצועת הכתף כדי לפתוח אותו ולחבר את רצועת הכתף לחור בלולאת הרצועה (איור F2).

4. התאימו את אורך רצועת הכתף ואת מיקומה לתנוחת הפעלה נוחה.

⚠ אזהרה: רצועת הכתף מהווה גם מנגנון שחרור מהיר במצב מסוכן. במצב חירום, הסירו אותה מיד מהכתף, ללא קשר לדרך בה היא חוברת.

בעת השימוש ברצועה, שום פריט לבוש אחר לא צריך להפריע לשחרור וההסרה של הרצועה.

נא לא להשתמש ברצועת כתף אחת וברצועת כתף כפולה בעת ובעונה אחת.

הפעלה

⚠ אזהרה: ענדו תמיד משקפי מגן או משקפי בטיחות עם הגנה צדדית, ביחד עם מגני שמיעה. אם לא תעשו זאת עצמים עלולים להיזרק אל תוך העיניים שלכם ועלולות להיגרם פציעות חמורות אחרות.

גידום: דשא ועשבים ממרפסות וגדרות.

חיתוך: דשא שקשה להגיע אליו עם מכסחת דשא רגילה.

מפרטים

5. מחוון מהירות
6. טבעת נעילת גובה
7. ידית עזר קדמית ניתנת לכוונן
8. מנוף לשחרור הידית
9. ציר ובורג נעילה
10. לחצן POWERLOAD™
11. ראש חרמש (עם הזנת IQ-LINE)
12. חוט חיתוך
13. לשונית שחרור
14. להב לחיתוך חוט
15. מגן
16. מנגנון פליטה
17. בריח
18. כפתור שחרור הסוללה
19. מפתח משושה
20. לולאת רצועת כתף
21. רצועת כתף

ולט	56V
מהירות ללא עומס	הגדרת מהירות נמוכה: 4800-3500 דקות ¹ טווח מהירות גבוהה: 5500-4000 דקות ¹
מנגנון קו חיתוך	הזנת קו-IQ
סוג חוט חיתוך	חוט ניילון מפותל של 2.4 מ"מ
רוחב חיתוך	40 ס"מ
טמפרטורת הפעלה מומלצת	0°C - 40°C
טמפרטורת אחסון	-20°C - 70°C
משקל (ללא מארז סוללה)	3.5 ק"ג
רמת עוצמת קול נמדדת L _{WA}	90 dB(A) K=2.5 dB(A)
רמת לחץ קול באוזן המפעיל L _{PA}	77 dB(A) K=3 dB(A)
רמת עוצמת קול מובטחת L _{WA} (נמדד בהתאם ל-2000/14/EC)	92 dB(A)
הערכת רטט a _h	ידית
	קדמית
	אחורית
	3.9 מ'/שנייה ² 1.5=K מ'/שנייה ² 2.7 מ'/שנייה ² 1.5=K מ'/שנייה ²

רשימת אריזה (איור A1)

הרכבה

⚠ אזהרה: אם ישנם חלקים ניזוקים או חסרים, אל תפעילו את המכשיר עד אשר חלקים אלו יוחלפו. שימוש במכשיר זה עם חלקים פגומים או חסרים עלול לגרום לפציעה אישית חמורה.

⚠ אזהרה: אל תנסו לשנות את המוצר או ליצור אביזרים אשר אינם מומלצים לשימוש ביחד עם הגוזם. כל שינוי או הוספה מהווים שימוש לא נכון במכשיר ועלול ליצור תנאים מסוכנים שעלולים להוביל לפציעה אישית.

⚠ אזהרה: על מנת למנוע הפעלה מקרית אשר עלולה להוביל לפציעה אישית חמורה, הסירו תמיד את מארז הסוללה מן המכשיר בעת הרכבת חלקים.

פירוק המוט

⚠ אזהרה: אין להחזיק את המוט במקומות החיבור על מנת למנוע צביטות של הידיים או האצבעות שלכם.

⚠ אזהרה: אין להפעיל את החרמש עד אשר המוט נעול במקומו.

יש לפרק את המוט בזירות ולהבטיח שהכבל בתוך המוט ולנעול אותו עם הבורג באמצעות מפתח הברגים המצורף (איור B1 ו-B2).

■ ערך הרטט הכללי המוצהר נמדד בהתאם עם שיטת בדיקה סטנדרטית ונתון להשתמש בו על מנת להשוות ציוד אחד עם ציוד אחר;

■ ניתן להשתמש בערך הרטט הכללי המוצהר בהערכה ראשונית של חשיפה.

הודעה: פליטת הרטט בעת השימוש המעשי בכלי יכולה להיות שונה מן הערך המוצהר כאשר הכלי נמצא בשימוש; על מנת להגן על המפעיל, על המשתמש ללבוש כפפות ומגני אוזניים בעת השימוש למעשה.

תיאור

הכירו את גוזם החוט שלכם (תמונה A1)

1. מתג למהירויות מגוונות
2. ידית אחורית
3. לשון נעילה
4. מתג דו-מהירות

סמל בטיחות

הפעלה של כלי עבודה חשמליים עלולה לגרום לעצמים זרים להיזרק אל תוך העיניים, דבר העלול לגרום לנזק חמור לעיניים. לפני ההפעלה של כלי עבודה חשמלי, ענדו תמיד משקפי מגן או משקפי בטיחות עם הגנה צדדית, ובעת הצורך, הגנה עבור כל הפנים. אנו ממליצים על שימוש במסכת בטיחות רחבה מעל למשקפי המגן או על שימוש במשקפי בטיחות עם הגנה צדדית.

קראו את כל ההוראות!

קראו את מדריך ההוראות

על מנת להפחית את הסיכון לפציעות, על המשתמש לקרוא את המדריך למשתמש.



התראת בטיחות



הגנה מפני התזת מים IPX4



חבשו תמיד משקפי מגן או משקפי בטיחות עם הגנה צדדית, ובעת הצורך, הגנה עבור כל הפנים, בעת הפעלת מוצר זה.



רמת עוצמת קול מובטחת.



השתמשו במגני אוזניים - השתמשו תמיד במגני אוזניים בעת הפעלת מוצר זה.



היזהרו מעצמים עפים - עצמים מושלכים עלולים לעוף בחזרה ולגרום לפציעה אישית או לנזק לרכוש. וודאו שאנשים אחרים וחיות מחמד נמצאים במרחק מגוזם החוט בעת השימוש בגוזם.



אין לזרוק מוצרים חשמליים כחלק מאשפה ביתית. יש להביא את המכשיר למרכז מחזור מוסמך.



אין להשתמש בלהבי המתכת שעל גוזם החוט



שמרו על מרחק בטוח - המרחק בין המכונה לעוברי אורח צריך להיות לפחות 15 מ'



קוטר חוט-קוטר חוט החיתוך מניילון



רוחב חיתוך-רוחב החיתוך המקסימלי של חוט הגוזם



מוצר זה תואם לתקנות ה-EC הרלוונטיות.



נתקו את מארז הסוללות מגוזם החוט לפני ביצוע עבודות תחזוקה או ניקוי



ולט V

מוצר זה תואם לחוקים הרלוונטיים בבריטניה.



מ"מ מילימטר

אמפרים

A

ק"ג קילוגרם

סנטימטר

0"m

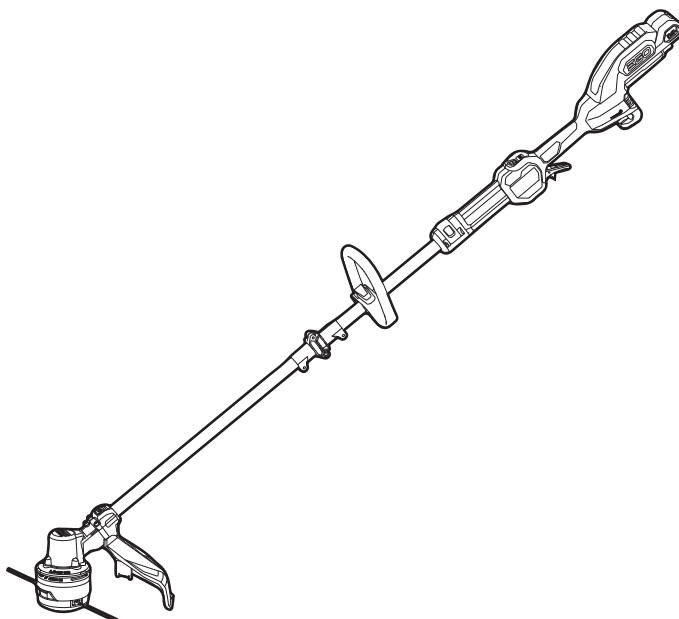
דקה / דקה ...

זרם ישיר



EGO™

POWER⁺ LINE TRIMMER



ST1610E-T

גוזם חוט אלחוטי עם סוללת ליתיום-יון 56 וולט HE

جهازة عاملة بالخيط لاسلكية ببطارية ليثيوم-أيون 56 فولت AR

