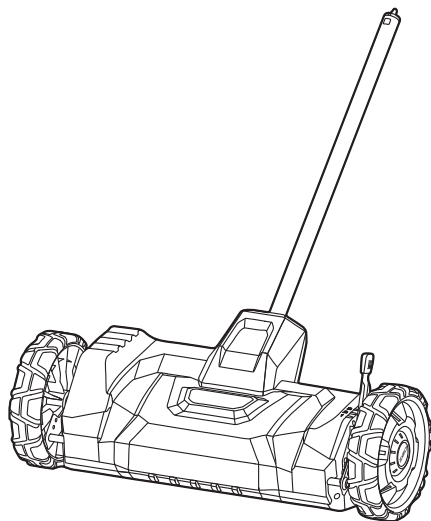


EGO™

POWER⁺ DETHATCHER ATTACHMENT

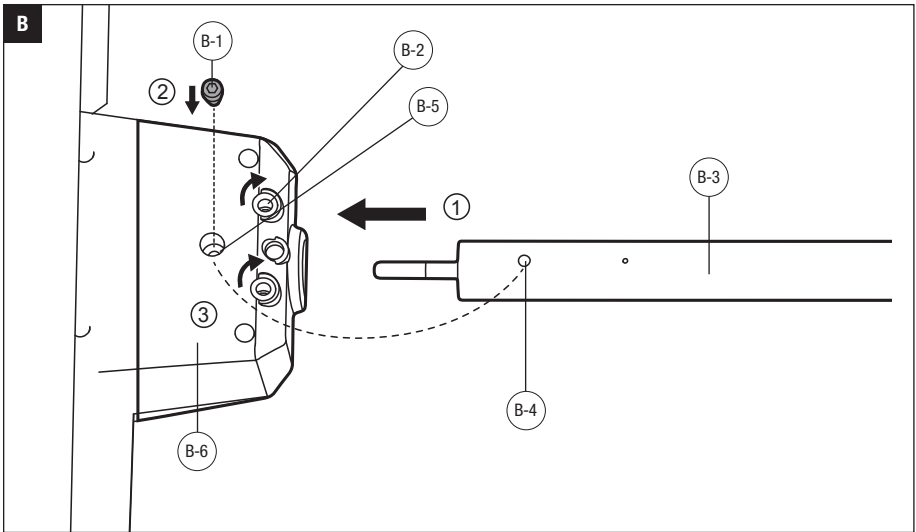
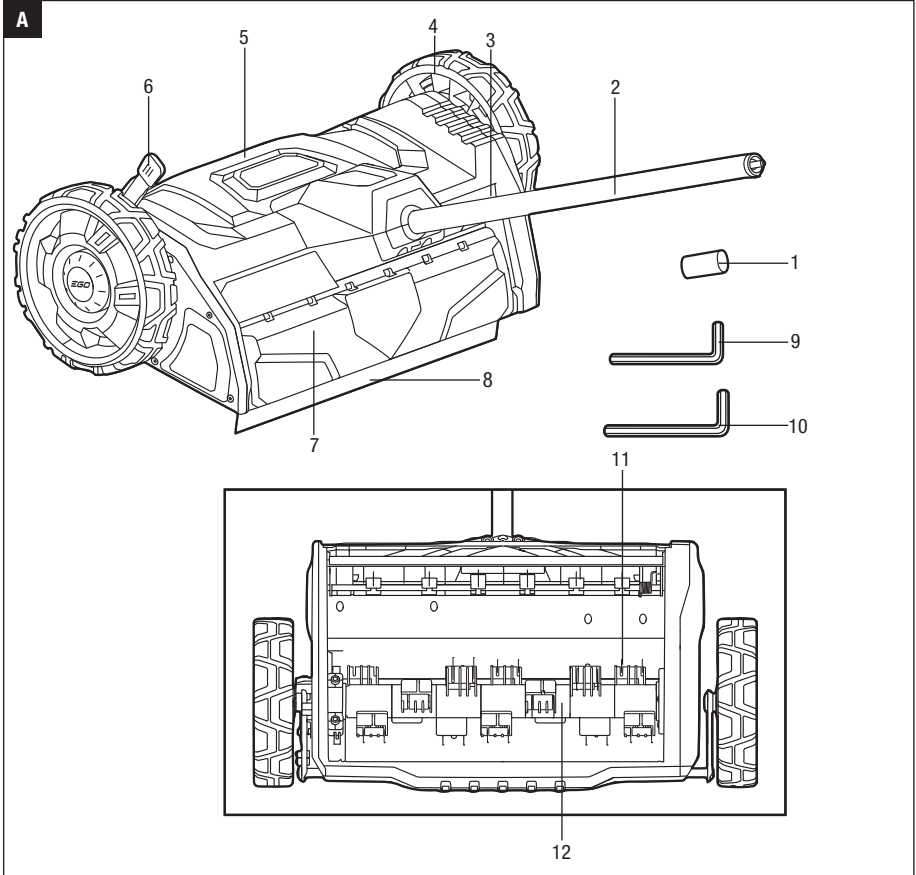


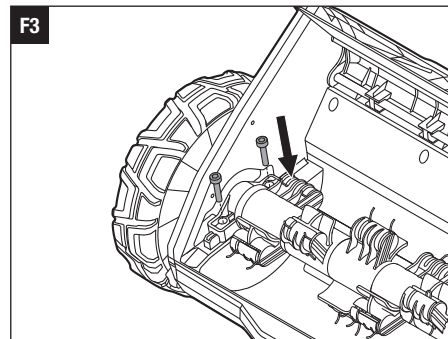
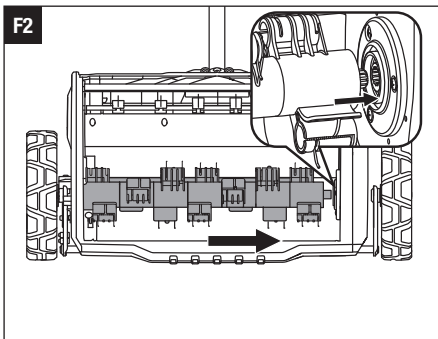
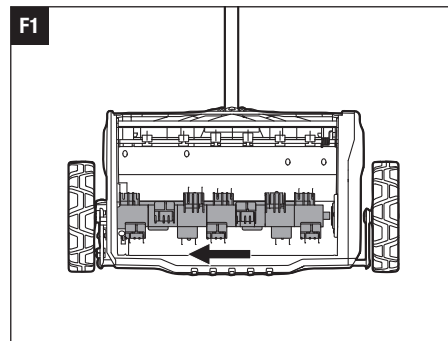
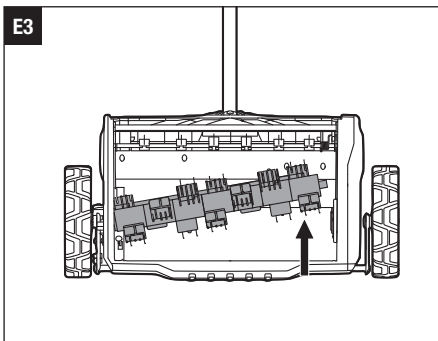
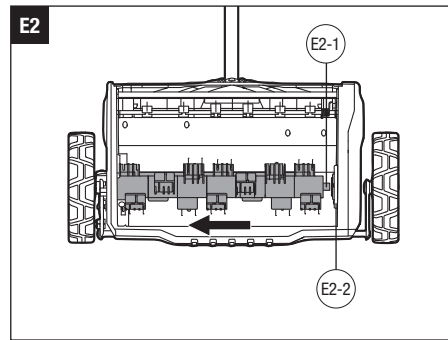
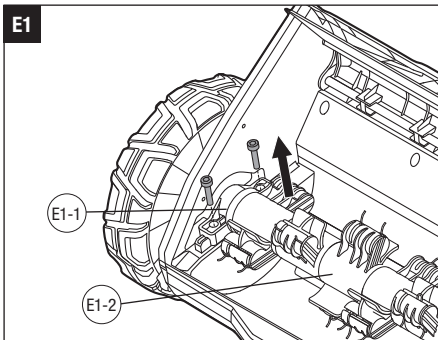
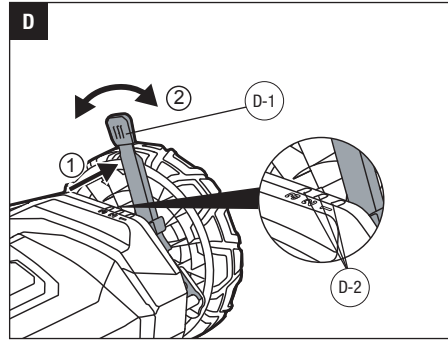
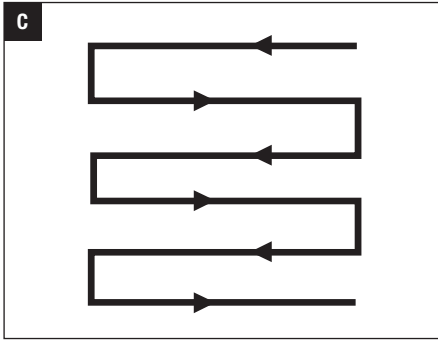
DA1400

FOR USE ONLY WITH EGO POWER HEAD
PH1400E/PH1420E/PHX1600

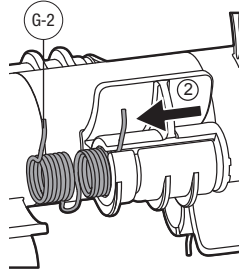
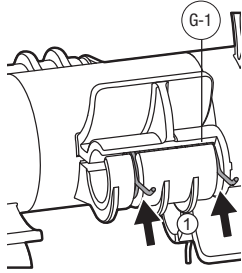
DETHATCHER ATTACHMENT

| | | | | | |
|----|---------------------------|-----|----|---------------------------------------------------|-----|
| EN | DETHATCHER ATTACHMENT | 5 | RO | ATAȘAMENT PENTRU ÎNDEPĂRTAREA RESTURILOR VEGETALE | 157 |
| DE | VERTIKUTIERAUFSATZ | 14 | SL | PRIKLJUČEK ZA ZRAČENJE TRATE | 167 |
| FR | ACCESSOIRE DE DÉCHAUMAGE | 24 | LT | VEJOS PURENIMO ĮTAISAS | 176 |
| ES | ACCESORIO ESCARIFICADOR | 34 | LV | ZĀLĀJA SKARIFIKATORS | 185 |
| PT | ACESSÓRIO DE AREJADOR | 44 | GR | ΠΡΟΣΑΡΤΗΜΑ ΑΠΟΒΡΥΩΤΗ | 194 |
| IT | ACCESSORIO ARIEGGIATORE | 53 | TR | ÇİM HAVALANDIRICI APARATI | 205 |
| NL | VERTICUTEER-OPZETSTUK | 63 | ET | MURUHŪTAJA-LIIDES | 214 |
| DK | MOSFJERNER-TILBEHØR | 73 | UK | НАСАДКА – ВИЧІСУВАЧ СУХОЇ ТРАВИ | 223 |
| SE | VERTIKALSKÄRARTILLSATS | 82 | BG | ПРИСТАВКА ЗА ПРИБИРАНЕ НА ОКОСЕН МАТЕРИАЛ | 233 |
| FI | SAMMALENREPIJÄLISÄOSA | 91 | HR | PRIKLJUČAK ZA PROZRAČIVANJE TRAVNJAKA | 243 |
| NO | UTLØSERFESTE | 100 | KA | ხმელი ბალახის საკრეჭის სამაგრი | 252 |
| RU | КОЧИСТИТЕЛЬ ГАЗОНА | 109 | SR | NASTAVAK PROZRAČIVAČA | 265 |
| PL | KOŃCÓWKA WERTYKULATOR | 119 | BS | PRIKLJUČAK PROZRAČIVAČA | 274 |
| CZ | NÁSTAVEC S VERTIKUTÁTOREM | 129 | AR | ملحق جامعة القش | 290 |
| SK | VERTIKUTÁTOROVÝ NADSTAVEC | 138 | HE | אביזר מנקה קרקע | 299 |
| HU | GYEPSZELLŐZTETŐ TARTOZÉK | 147 | | | |

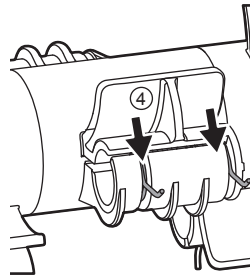
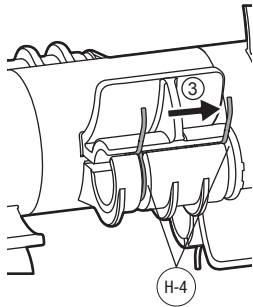
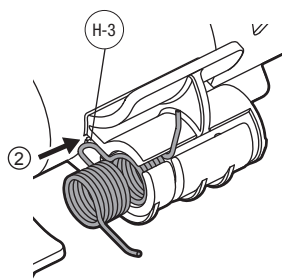
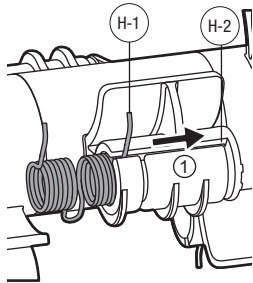




G



H



READ ALL INSTRUCTIONS!



READ OPERATOR'S MANUAL

SAFETY SYMBOLS

The purpose of safety symbols is to attract your attention to possible dangers. The safety symbols and the explanations with them deserve your careful attention and understanding. The symbol warnings do not, by themselves, eliminate any danger. The instructions and warnings they give are no substitutes for proper accident prevention measures.

⚠ WARNING: Be sure to read and understand all safety instructions in this Operator's Manual, including all safety alert symbols such as "DANGER", "WARNING" and "CAUTION" before using this machine. Failure to follow all instructions listed below may result in electric shock, fire, and/or serious personal injury.

SYMBOL MEANING

⚠ SAFETY ALERT SYMBOL: Indicates **DANGER**, **WARNING**, OR **CAUTION**. May be used in conjunction with other symbols or pictographs.



⚠ WARNING: The operation of any machines can result in foreign objects being thrown into your eyes, which can result in severe eye damage. Before beginning machine operation, always wear safety goggles or safety glasses

with side shields and a full face shield when needed. We recommend a Wide Vision Safety Mask for use over eyeglasses or standard safety glasses with side shields.

SAFETY INSTRUCTIONS

This page depicts and describes safety symbols that may appear on this product. Read, understand, and follow all instructions on the machine before attempting to assemble and operate it.

| | | |
|--|-------------------------------------|----------------------------------------------------------------------------------------------------------|
| | Safety Alert | Indicates a potential personal injury hazard. |
| | Read & Understand Operator's Manual | To reduce the risk of injury, user must read and understand operator's manual before using this product. |

| | | |
|-------|------------------------------------------------------------------|--------------------------------------------------------------------------------------------------------------------|
| | Wear Eye Protection | Always wear safety goggles or safety glasses with side shields and a full face shield when operating this product. |
| | WARNING —Beware of thrown objects-keep bystanders away | Alerts user to beware of thrown objects- keep bystanders away. |
| | DANGER — Keep Hands and Feet Away | Alerts users to keep hands and feet away. |
| | WARNING — Keep Hands and Feet Away From the Tines | Alerts user to keep hands and feet away from tines. |
| | CE | This product is in accordance with applicable EC directives. |
| | UKCA | This product is in accordance with applicable UK legislation. |
| | WEEE | Waste electrical products should not be disposed of with household waste. Take to an authorized recycler. |
| | Noise | Guaranteed sound power level. Noise emission to the environment according to the European community's Directive. |
| V | Volt | Voltage |
| | Direct Current (DC) | Type or a characteristic of current |
| mm | Millimeter | Length or size |
| kg | Kilogram | Weight |
| min | Minutes | Time |
| n_0 | No Load Speed | Rotational speed, at no load |

| | | |
|-------------------|-----------------------------------------|--------------------------------------------------------------|
| Min ⁻¹ | Revolutions or reciprocation per minute | Revolutions, strokes, surface speed, orbits, etc. per minute |
| RPM | Revolutions Per Minute | Rotational speed |
| °C | Degrees Celsius | Temperature |

⚠ WARNING: To ensure safety and reliability, all repairs should be performed by a qualified service technician.

GENERAL BATTERY-OPERATED MACHINE SAFETY WARNINGS

⚠ WARNING: READ ALL SAFETY WARNINGS, INSTRUCTIONS, ILLUSTRATIONS AND SPECIFICATIONS PROVIDED WITH THIS MACHINE. Failure to follow all instructions listed below may result in electric shock, fire and/or serious injury.

SAVE ALL WARNINGS AND INSTRUCTIONS FOR FUTURE REFERENCE.

The term "machine" in the warnings refers to your mains-operated (corded) machine or battery-operated (cordless) machine.

WORK AREA SAFETY

- **Keep work area clean and well lit.** Cluttered or dark areas invite accidents.
- **Do not operate machines in explosive atmospheres, such as in the presence of flammable liquids, petrol or dust.** Machines create sparks which may ignite the dust or fumes.
- **Keep children and bystanders away while operating a machine.** Distractions can cause you to lose control.

ELECTRICAL SAFETY

- **Machine plugs must match the outlet. Never modify the plug in any way. Do not use any adapter plugs with earthed (grounded) machines.** Unmodified plugs and matching outlets will reduce risk of electric shock.
- **Avoid body contact with earthed or grounded surfaces, such as pipes, radiators, ranges and refrigerators.** There is an increased risk of electric shock if your body is earthed or grounded.
- **Do not operate the machine in rain or wet conditions.** This may increase the risk of electric shock.

- **Do not abuse the cord. Never use the cord for carrying, pulling or unplugging the machine. Keep cord away from heat, oil, sharp edges or moving parts.** Damaged or entangled cords increase the risk of electric shock.
- **When operating a machine outdoors, use an extension cord suitable for outdoor use.** Use of a cord suitable for outdoor use reduces the risk of electric shock.
- **If operating a machine in a damp location is unavoidable, use a ground fault circuit interrupter (GFCI) protected supply.** Use of a GFCI reduces the risk of electric shock.

PERSONAL SAFETY

- **Stay alert, watch what you are doing and use common sense when operating a machine. Do not use a machine while you are tired or under the influence of drugs, alcohol or medication.** A moment of inattention while operating machines may result in serious personal injury.
- **Use personal protective equipment. Always wear eye protection.** Protective equipment such as a dust mask, non-skid safety shoes, hard hat or hearing protection used for appropriate conditions will reduce personal injuries.
- **Prevent unintentional starting. Ensure the switch is in the off-position before connecting to power source and/or battery pack, picking up or carrying the machine.** Carrying machines with your finger on the switch or energizing machines that have the switch on invites accidents.
- **Remove any adjusting key or wrench before turning the machine on.** A wrench or a key left attached to a rotating part of the machine may result in personal injury.
- **Do not overreach. Keep proper footing and balance at all times.** This enables better control of the machine in unexpected situations.
- **Dress properly. Do not wear loose clothing or jewelry. Keep your hair and clothing away from moving parts.** Loose clothes, jewelry or long hair can be caught in moving parts.
- **If devices are provided for the connection of dust extraction and collection facilities, ensure these are connected and properly used.** Use of dust collection can reduce dust-related hazards.
- **Do not let familiarity gained from frequent use of machines allow you to become complacent and ignore machine safety principles.** A careless action

can cause severe injury within a fraction of a second.

MACHINE USE AND CARE

- **Do not force the machine. Use the correct machine for your application.** The correct machine will do the job better and safer at the rate for which it was designed.
- **Do not use the machine if the switch does not turn it on and off.** Any machine that cannot be controlled with the switch is dangerous and must be repaired.
- **Disconnect the plug from the power source and/or remove the battery pack, if detachable, from the machine before making any adjustments, changing accessories, or storing machines.** Such preventive safety measures reduce the risk of starting the machine accidentally.
- **Store idle machines out of the reach of children and do not allow persons unfamiliar with the machine or these instructions to operate the machine.** Machines are dangerous in the hands of untrained users.
- **Maintain machines and accessories. Check for misalignment or binding of moving parts, breakage of parts and any other condition that may affect the machine's operation.** If damaged, have the machine repaired before use. Many accidents are caused by poorly maintained machines.
- **Keep cutting machines sharp and clean.** Properly maintained cutting machines with sharp cutting edges are less likely to bind and are easier to control.
- **Use the machine, accessories and machine bits etc. in accordance with these instructions, taking into account the working conditions and the work to be performed.** Use of the machine for operations different from those intended could result in a hazardous situation.
- **Keep handles and grasping surfaces dry, clean and free from oil and grease.** Slippery handles and grasping surfaces do not allow for safe handling and control of the machine in unexpected situations.

BATTERY MACHINE USE AND CARE

- **Recharge only with the charger specified by the manufacturer.** A charger that is suitable for one type of battery pack may create a risk of fire when used with another battery pack.
- **Use machines only with specifically designated battery packs.** Use of any other battery packs may create a risk of injury and fire.
- **When battery pack is not in use, keep it away from**

other metal objects, like paper clips, coins, keys, nails, screws or other small metal objects, that can make a connection from one terminal to another. Shorting the battery terminals together may cause burns or a fire.

- **Under abusive conditions, liquid may be ejected from the battery; avoid contact. If contact accidentally occurs, flush with water.** If liquid contacts eyes, additionally seek medical help. Liquid ejected from the battery may cause irritation or burns.
- **Do not use a battery pack or machine that is damaged or modified.** Damaged or modified batteries may exhibit unpredictable behavior resulting in fire, explosion or risk of injury.
- **Do not expose a battery pack or machine to fire or excessive temperature.** Exposure to fire or temperature above 130 °C may cause explosion.
- **Follow all charging instructions and do not charge the battery pack or machine outside the temperature range specified in the instructions.** Charging improperly or at temperatures outside the specified range may damage the battery and increase the risk of fire.

SERVICE

- **Have your machine serviced by a qualified repair person using only identical replacement parts.** This will ensure that the safety of the machine is maintained.
- **Never service damaged battery packs.** Service of battery packs should only be performed by the manufacturer or authorized service providers.

DETHATCHER SAFETY WARNINGS

- **Do not use the machine in bad weather conditions, especially when there is a risk of lightning.** This decreases the risk of being struck by lightning.
- **Thoroughly inspect the area for wildlife where the machine is to be used.** Wildlife may be injured by the machine during operation.
- **Thoroughly inspect the area where the machine is to be used and remove all stones, sticks, wires, bones, and other foreign objects.** Thrown objects can cause personal injury.
- **Before using the machine, always visually inspect to see that the tines and the tines assembly are not worn or damaged.** Worn or damaged parts increase the risk of injury.
- **Keep guards in place. Guards must be in working order and be properly mounted.** A guard that is loose, damaged, or is not functioning correctly may

result in personal injury.

- **Keep all cooling air inlets clear of debris.** Blocked air inlets and debris may result in overheating or risk of fire.
- **While operating the machine, always wear non-slip and protective footwear. Do not operate the machine when barefoot or wearing open sandals.** This reduces the chance of injury to the feet from contact with the moving tines.
- **While operating the machine, always wear long trousers.** Exposed skin increases the likelihood of injury from thrown objects.
- **Do not operate the machine in wet grass. Walk, never run.** This reduces the risk of slipping and falling which may result in personal injury.
- **Do not operate the machine on excessively steep slopes.** This reduces the risk of loss of control, slipping and falling which may result in personal injury.
- **When working on slopes, always be sure of your footing, always work across the face of slopes, never up or down and exercise extreme caution when changing direction.** This reduces the risk of loss of control, slipping and falling which may result in personal injury.
- **Use extreme caution when reversing or pulling the machine towards you. Always be aware of your surroundings.** This reduces the risk of tripping during operation.
- **Hold the machine by insulated gripping surfaces only, because the tines may contact hidden wiring.** Tines contacting a "live" wire may make exposed metal parts of the machine "live" and could give the operator an electric shock.
- **Do not touch tines and other hazardous moving parts while they are still in motion.** This reduces the risk of injury from moving parts.
- **When clearing jammed material or cleaning the machine, make sure all power switches are off and the battery pack is disconnected.** Unexpected operation of the machine may result in serious personal injury.

ADDITIONAL WARNINGS

- Use only with EGO Power Head PH1400E/PH1420E/PHX1600.
NOTE: See operator's manual of your EGO Power Head PH1400E/PH1420E/PHX1600 for detailed safety rules and operating instructions.

SAVE THESE INSTRUCTIONS

SPECIFICATIONS

| | |
|--------------------------------------------------------------------------|------------------------------------------|
| Maximum Working Width | 355 mm |
| No-load Speed (with PH1420E) | Low: 2600 RPM |
| | High: 3000 RPM |
| Depth Adjustment | 3 positions |
| Dethatching Depth | 0 / 10 mm / 20 mm |
| Recommended Operating Temperature | 0°C – 40°C |
| Recommended Storage Temperature | -20°C – 70°C |
| Measured sound power level L_{WA} | 88 dB(A) K=2 dB(A) (PH1400E) |
| | 88.49 dB(A) K=0.81 dB(A) (PH1420E) |
| | 90 dB(A) K=0.9 dB(A) (PHX1600) |
| Sound pressure level at operator's ear L_{PA} | 82 dB(A) K=3 dB(A) (PH1400E) |
| | 79.8 dB(A) K=3 dB(A) (PH1420E) |
| | 82 dB(A) K=3 dB(A) (PHX1600) |
| Guaranteed sound power level L_{WA} (measured according to 2000/14/EC) | 92 dB(A) |

| | | |
|-----------------------------------|---------------------|--------------------------------------------------------------|
| Valuation of vibration a_n | Front-assist handle | 2.35 m/s ² K=1.5 m/s ² (PH1400E) |
| | | 2.36 m/s ² K=1.5 m/s ² (PH1420E) |
| | | 2.63 m/s ² K=1.5 m/s ² (PHX1600) |
| | Rear handle | 2.66 m/s ² K=1.5 m/s ² (PH1400E) |
| | | 2.24 m/s ² K=1.5 m/s ² (PH1420E) |
| | | 1.74 m/s ² K=1.5 m/s ² (PHX1600) |
| Weight (with dethatcher cylinder) | 7.4 kg | |

- The above parameters are tested and measured equipped with power head PH1400E/PH1420E/PHX1600.
- The declared vibration total value has been measured in accordance with a standard test method and may be used for comparing one tool with another.
- The declared vibration total value may also be used in a preliminary assessment of exposure.

⚠ WARNING: The vibration emission during actual use of the machine can differ from the declared value in which the machine is used; In order to protect the operator, user should wear gloves and ear protectors in the actual conditions of use.

⚠ WARNING: Need to identify safety measures to protect the operator that are based on an estimation of exposure in the actual conditions of use (taking account of all parts of the operating cycle such as the times when the machine is switched off and when it is running idle in addition to the trigger time).

DESCRIPTION

KNOW YOUR DETHATCHER ATTACHMENT (Fig. A)

1. End Cap (2)
2. Attachment Shaft
3. Lower Cover
4. Wheel
5. Upper Cover Assembly

6. Depth Adjustment Lever
7. Deflector Guard
8. Scraper Bar
9. 4 mm Hex Key
10. 5 mm Hex Key
11. Rake Tine
12. Dethatcher Cylinder

ASSEMBLY

⚠ WARNING: If any parts are damaged or missing, do not operate this product until the parts are replaced. Use of this product with damaged or missing parts could result in serious personal injury.

⚠ WARNING: Do not attempt to modify this product or create accessories not recommended for use with this product. Any such alteration or modification is misuse and could result in a hazardous condition leading to possible serious personal injury.

CONNECTING THE ATTACHMENT SHAFT TO THE DETHATCHER ASSEMBLY (Fig. B)

| | | | |
|-----|------------------|-----|-------------|
| B-1 | M5 Bolt | B-4 | Hole |
| B-2 | Bolt | B-5 | Screw Hole |
| B-3 | Attachment Shaft | B-6 | Lower Cover |

1. Lay the dethatcher assembly upside down on a stable flat surface.
2. Remove the end cap from the front end of the attachment shaft.
3. With the hole on the attachment shaft facing up, insert the attachment shaft into the lower cover of the attachment as far as it will go. Align the screw hole in the lower cover with the hole on the attachment shaft.
4. Using the provided 4 mm hex key, secure the lower cover to the attachment shaft with the M5 bolt.
5. Using the hex key, tighten the two pre-installed bolts to the lower cover securely.

⚠ WARNING: Be certain that the three bolts are fully tightened before operating the equipment; check it periodically for tightness during use to avoid serious personal injury.

CONNECTING THE DETHATCHER ATTACHMENT TO THE POWER HEAD

This dethatcher attachment is designed for use with EGO Power Head PH1400E/PH1420E/PHX1600.

See “**INSTALLING AN ATTACHMENT TO THE POWER HEAD**” section in the power head PH1400E/PH1420E/PHX1600 operator’s manual.

EN OPERATION

⚠ WARNING: Do not allow familiarity with this product to make you careless. Remember that a careless fraction of a second is sufficient to inflict serious injury.

⚠ WARNING: Always wear eye protection. Failure to do so could result in objects being thrown into your eyes and other possible serious injuries.

⚠ WARNING: To prevent serious personal injury, remove the battery pack from the product before servicing, cleaning, changing attachments, or removing material from the product.

⚠ WARNING: Do not use any attachments or accessories not recommended by the manufacturer of this product. The use of attachments or accessories not recommended can result in serious personal injury.

APPLICATIONS

Remove old, dried cuttings, moss, grass or root residue from lawns.

STARTING/STOPPING THE DETHATCHER

Before Using the Dethatcher

⚠ WARNING: To avoid serious personal injury, wear goggles or safety glasses at all times when operating this product. Wear a face mask or dust mask in dusty locations. Wear proper clothing and footwear during operation to reduce the risk of injury that may be caused by flying debris.

- Inspect the product thoroughly for damage before using. Do not use the product if it is damaged or shows wear.
- Make sure that the lawn is clear of stones, sticks, wire, or other objects that could damage the product.
- Mow the lawn before working and fertilize afterwards.

Operating Tips

In order for a healthy lawn to develop in the spring, it is necessary for greater amounts of air to penetrate the area around the roots of the grass. We recommend dethatching the lawn at least twice every year, during spring or autumn depending on the state of your lawn.

- For your safety, do not operate on slopes greater than 15 degrees. Work across the face of slopes, not up and down. Exercise extreme caution when changing direction on slopes.
- Do not work with this product on a wet lawn because wet grass tends to stick to the deck and the tines, it could also cause you to slip and fall.
- Hold the product with both hands. Keep the handles

dry to ensure safe support.

- Slowly push the product forward. Move the product at appropriate speed. Do not move it too fast to prevent the tines from getting stuck and causing motor overload.
- Switch the product off immediately if other people enters the working area. Always let the product come to a complete stop before putting it down.
- Do not overwork. Take regular breaks to ensure you can concentrate on the work and have full control over the machine.
- Work in slight overlapping rows. The most effective pattern is straight lines along one of the sides (Fig. C). This will keep the rows even and ensures that all the lawn is dethatched without missing any spots.
- Pay special attention when changing direction.
- Always be sure of your footing. A slip and fall can cause serious personal injury. If you feel you are losing your balance, switch off the motor immediately.
- Do not work near drop-offs, ditches, or embankments, you could lose your footing or balance.

To Start/Stop the Dethatcher Attachment

See "STARTING/STOPPING THE POWER HEAD" section in the operator's manual for PH1400E/PH1420E /PHX1600.

⚠ WARNING: Stop the machine if it has to be tilted for transportation when crossing surfaces other than grass and when transporting the machine to and from the area in which it is to be used.

⚠ WARNING: Do not tilt the machine when switching on the motor, except if the machine has to be tilted for starting. In this case, do not tilt it more than is absolutely necessary and lift only the part which is away from the operator.

Checking for blockage of the tines

- To prevent blockage, clean the underside of the machine before and after each use to remove any accumulated debris.
- When blockage happens, stop the machine and remove the battery pack, then remove any build-up of grass and leaves on or around the tines and deck. Wipe the machine clean with a damp cloth.

ADJUSTING DEPTH (Fig. D)

⚠ WARNING: Keep your feet away from the deck when adjusting the depth.

The dethatching depth can be set to 3 depth positions: 1 & 2: operating position

3: transportation position

Adjust the depth according to the needs of your lawn.

1. Switch off the machine and wait for the machine to come to a complete stop.
2. Remove the battery pack.
3. Pull the depth adjustment lever out of the detent and set it to the desired position.

| | | | |
|-----|------------------------|-----|----------------|
| D-1 | Depth Adjustment Lever | D-2 | Depth Position |
|-----|------------------------|-----|----------------|

MAINTENANCE

⚠ WARNING: Before inspecting, cleaning or servicing the machine, stop the motor, wait for all moving parts to stop, and remove the battery pack. Failure to follow these instructions can result in serious personal injury or property damage.

⚠ WARNING: Always wear eye protection with side shields. Failure to do so could result in objects being thrown into your eyes resulting in possible serious injury.

⚠ WARNING: When servicing, use only identical replacement parts. Use of any other parts can create a hazard or cause product damage. To ensure safety and reliability, all repairs, other than the items listed in these maintenance instructions, should be performed by a qualified service technician.

⚠ WARNING: After striking a foreign object, stop the machine, and remove the battery pack to make sure that all moving parts have come to a complete stop. Then inspect the machine for damage and make repairs before restarting and operating the machine.

⚠ WARNING: If the machine starts to vibrate abnormally, stop the machine, and remove the battery pack to make sure that all moving parts have come to a complete stop. Then immediately inspect for damage, replace or repair any damaged parts, and check for and tighten any loose parts.

⚠ WARNING: Be careful during adjustment of the product to prevent entrapment of the fingers between moving parts and fixed parts of the product.

CLEANING

⚠ WARNING: When cleaning the dethatcher attachment, DO NOT immerse it in water or other liquids.

Avoid using solvents when cleaning plastic parts. Most plastics are susceptible to damage from various types of commercial solvents and may be damaged by their use. Use clean cloths to remove dirt, dust, oil, grease, etc.

LUBRICATION

All of the bearings in this product are lubricated with a sufficient amount of high-grade lubricant for the life of the unit under normal operating conditions. Therefore, no further bearing lubrication is required.

REPLACING THE CYLINDER

⚠ WARNING: Before performing any maintenance, always remove the battery pack from the machine and wait until the tine cylinder comes to a complete stop. Wear protective gloves when handling the tines.

To remove the cylinder

1. Remove the battery pack from the power head.
2. Lay the attachment upside down on a flat stable surface.
3. Use the provided 5 mm hex key to loosen and remove the two locking bolts on the bearing seat of the dethatcher cylinder (Fig. E1).
4. Push the dethatcher cylinder leftwards until the spline shaft on the right end is pulled out from the spline hub of the machine (Fig. E2).
5. Remove the dethatcher cylinder from the machine (Fig. E3).

| | | | |
|------|---------------|------|---------------------|
| E1-1 | Bearing Seat | E1-2 | Dethatcher Cylinder |
| E2-1 | Spindle Shaft | E2-2 | Spindle Hub |

To install the new cylinder

1. Place the bearing seat of the new cylinder on the machine base and push the cylinder leftwards as far as it will go (Fig. F1).
2. Align and insert the spline shaft on the right side of the cylinder into the spline hub of the machine (Fig. F2).
3. Align the two holes on the bearing seat with the holes on the base, secure the bearing seat to the base with the locking bolts (Fig. F3).

REPLACING THE RAKE TINES

Under normal use, rake tines can wear or break over time. When adjusting the tine depth no longer gives you the correct amount of dethatching, or if a tine breaks, follow the steps below to replace the tines.

To remove the tine

1. Remove the battery pack from the power head.
2. Lay the attachment upside down on a flat stable surface.
3. Push the two pins of the rake tine to the slot 1 on the cylinder, and pull off the rake tine from the dethatcher cylinder as shown in Fig. G.



EN

| | | | |
|-----|-----|-----|--------|
| G-1 | Pin | G-2 | Slot 1 |
|-----|-----|-----|--------|

To install the rake tine (Fig. H)

1. Insert the pin of the rake tine into the slot 1 on the cylinder (step 1).
2. Insert the seat of the rake tine into the slot 2 on the cylinder (step 2).
3. Guide the two pins of the tine into the slot 1, push forward to the position at the slot 3 and the two pins will automatically rebound in place (step 3 & 4).

| | | | |
|-----|--------|-----|--------|
| H-1 | Pin | H-2 | Slot 1 |
| H-3 | Slot 2 | H-4 | Slot 3 |

TRANSPORTING AND STORING

- Remove the battery pack from the power head.
- Always allow the product to cool down before storing it.
- Clean the product thoroughly before storing it.
- Store the product in a dry, well-ventilated area, locked-up or up high, out of the reach of children. Do not store the product on or adjacent to fertilizers, gasoline, or other chemicals.

PROTECTING THE ENVIRONMENT



Do not dispose of electrical equipment, used battery and charger into household waste! Take this product to an authorized recycler and make it available for separate collection. Electric machines must be returned to an environmentally compatible recycling facility.

TROUBLESHOOTING

EN

| PROBLEM | CAUSE | SOLUTION |
|-----------------------------------------------------------|------------------------------------------------------------------------------------------------------------------------------------------------------------------------------------------------------------------------------------------|---------------------------------------------------------------------------------------------------------------------------------------------------------------------------------------------------------------------------------------------------------------|
| Motor does not start | <ul style="list-style-type: none"> ■ The battery pack charge is depleted. ■ The lock-off button or trigger switch is not used properly. ■ The battery pack is not fully inserted into the battery port. | <ul style="list-style-type: none"> ■ Charge the battery pack. ■ Follow the section “STARTING/ STOPPING THE POWER HEAD” in the power head manual. ■ Check if the battery pack is fully inserted into the battery port. |
| Machine makes abnormal noises. | <ul style="list-style-type: none"> ■ Debris or foreign object hindering machine tines. | <ul style="list-style-type: none"> ■ Stop the motor, remove the battery pack, and remove debris or foreign objects preventing machine from operating properly. |
| Machine not working properly or results not satisfactory. | <ul style="list-style-type: none"> ■ Grass is too tall. | <ul style="list-style-type: none"> ■ Mow the lawn before dethatching. |
| | <ul style="list-style-type: none"> ■ Wet debris sticking to the underside of the deck. | <ul style="list-style-type: none"> ■ Wait until the lawn dries before dethatching. |
| | <ul style="list-style-type: none"> ■ Depth set at wrong setting. | <ul style="list-style-type: none"> ■ Adjust depth of tines to achieve desired result. |
| | <ul style="list-style-type: none"> ■ Tines worn or damaged. | <ul style="list-style-type: none"> ■ Replace tines as needed. |

WARRANTY

EGO WARRANTY POLICY

Please visit the website egopowerplus.eu for full terms and conditions of the EGO Warranty policy.

DE



LESEN SIE DIE BETRIEBSANLEITUNG

WARNSYMBOLLE

Der Zweck von Warnsymbolen besteht darin, Ihre Aufmerksamkeit auf mögliche Gefahren zu lenken. Die Warnsymbole und deren Erklärungen verdienen Ihre vollste Aufmerksamkeit und Beachtung. Durch die Warnsymbole allein sind die Gefahren noch nicht ausgeschaltet. Die Anweisungen und Warnhinweise stellen keinen Ersatz für angemessene Unfallverhütungsmaßnahmen dar.

⚠️ WARNUNG: Vor der Benutzung des Geräts sollten Sie alle Sicherheitshinweise in dieser Betriebsanleitung gelesen und verstanden haben. Das gilt auch für die Hinweise „GEFAHR“, „WARNUNG“ und „VORSICHT“. Die Nichtbeachtung der aufgeführten Hinweise kann zu Stromschlägen, Bränden und/oder schweren Verletzungen führen.

SYMBOLBEDEUTUNG

⚠️ WARNSYMBOL: Weist auf **GEFAHR**, eine **WARNUNG** ODER **VORSICHT** hin. Kann zusammen mit anderen Symbolen oder Bildern verwendet werden.



⚠️ WARNUNG: Beim Betrieb von Maschinen besteht die Gefahr, dass Fremdkörper in Ihre Augen geschleudert werden und Sie dadurch schwerwiegende Augenschäden davontragen. Tragen Sie immer eine

Schutzbrille, wenn möglich mit Seitenschutz, oder, falls nötig, einen vollen Gesichtsschutz, bevor Sie die Maschine in Betrieb setzen. Wir empfehlen Ihnen, einen Gesichtsschutz über Ihrer eigenen Brille oder eine herkömmliche Schutzbrille mit Seitenschutz zu tragen.

SICHERHEITSHINWEISE

Auf dieser Seite werden die Warnsymbole vorgestellt und beschrieben, die sich unter Umständen an dem Gerät befinden. Alle Anweisungen am Gerät lesen und befolgen, bevor das Gerät montiert und in Betrieb gesetzt wird.

| | | |
|---|-------------------------------------------------------------------------------|-----------------------------------------------------------------------------------------------------------------------------------------------|
| | Sicherheitshinweis | Weist auf mögliche Verletzungsgefahren hin. |
| | Benutzerhandbuch aufmerksam lesen und verstehen | Um das Verletzungsrisiko zu verringern, muss der Benutzer die Bedienungsanleitung vor der Benutzung des Gerätes gelesen und verstanden haben. |
| | Augenschutz tragen | Tragen Sie immer eine Schutzbrille, möglichst mit Seitenschutz, und einen vollständigen Gesichtsschutz, wenn Sie das Gerät bedienen. |
| | WARNUNG - Vorsicht vor weggeschleuderten Gegenständen – Umstehende fernhalten | Warnt Benutzer vor weggeschleuderten Gegenständen – Umstehende fernhalten. |
| | GEFAHR - Hände und Füße fernhalten | Weist Benutzer darauf hin, Hände und Füße fernzuhalten. |
| | WARNUNG –Hände und Füße von den Zinken fernhalten | Weist Benutzer darauf hin, Hände und Füße von den Zinken fernzuhalten. |
| | CE | Dieses Produkt erfüllt die einschlägigen CE-Richtlinien. |
| | UKCA | Dieses Produkt erfüllt die einschlägigen Vorschriften in GB. |
| | WEEE | Elektrische Altgeräte dürfen nicht im Hausmüll entsorgt werden. Bringen Sie das Gerät zu einem Wertstoffhof. |
| | Lärm | Garantierter Schalleistungspegel. Geräuschemission an die Umgebung gemäß Richtlinie der Europäischen Gemeinschaft. |
| V | Volt | Spannung |

| | Gleichstrom (DC) | Art oder Eigenschaft der Stromzufuhr |
|-------------------|-------------------------------------------------|---------------------------------------------------------------------------------|
| mm | Millimeter | Länge oder Größe |
| kg | Kilogramm | Gewicht |
| min | Minuten | Zeit |
| n_0 | Leerlaufdrehzahl | Drehzahl im Leerlauf |
| Min^{-1} | Umdrehungen oder Pendelhubbewegungen pro Minute | Umdrehungen, Hubbewegungen, Oberflächengeschwindigkeit, Umläufe usw. pro Minute |
| RPM | Umdrehungen pro Minute | Rotationsgeschwindigkeit |
| °C | Grad Celsius | Temperatur |

⚠️ WARNUNG: Um die Sicherheit und Zuverlässigkeit zu gewährleisten, sollten alle Reparaturen nur von qualifizierten Servicetechnikern durchgeführt werden.

ALLGEMEINE SICHERHEITSHINWEISE FÜR AKKUBETRIEBENE MASCHINEN

⚠️ WARNUNG: BEACHTEN SIE ALLE SICHERHEITSHINWEISE, ANWEISUNGEN, ABBILDUNGEN UND TECHNISCHE DATEN, DIE DIESEM GERÄT BEILIEGEN. Die Nichtbeachtung der unten aufgeführten Anweisungen kann zu Stromschlägen, Bränden und/oder schweren Verletzungen führen.

BEWAHREN SIE ALLE WARNHINWEISE UND BEDIENUNGSANWEISUNGEN FÜR NACHSCHLAGEZWECKE AUF.

Der Begriff „Gerät“ in den Warnhinweisen bezieht sich auf netzbetriebene (kabelgebundene) oder akkubetriebene (kabellose) Geräte.

SICHERHEIT IM ARBEITSBEREICH

- **Halten Sie den Arbeitsbereich stets sauber und gut beleuchtet.** Unübersichtliche oder dunkle Bereiche begünstigen Unfälle.
- **Das Gerät darf nicht in einer explosionsgefährdeten Atmosphäre eingesetzt werden, wie z.B. in der Nähe zündfähiger Flüssigkeiten, Gase oder Stäube.** Geräte erzeugen Funken, die Stäube oder Dämpfe entzünden können.
- **Halten Sie Kinder und Schaulustige während des Gerätebetriebs fern.** Ablenkungen können dazu

führen, dass Sie die Kontrolle verlieren.

ELEKTRISCHE SICHERHEIT

- **Der Netzstecker des Geräts muss in die Steckdose passen. Der Netzstecker darf unter keinen Umständen modifiziert werden. Keine Adapterstecker an geerdeten Geräten benutzen.** Nicht modifizierte Stecker und passende Steckdosen reduzieren die Stromschlaggefahr.
- **Vermeiden Sie den Körperkontakt zu geerdeten Flächen, wie zum Beispiel Rohrleitungen, Heizkörpern, Herden und Kühlschränken.** Es besteht erhöhte Stromschlaggefahr, wenn Ihr Körper geerdet ist.
- **Betreiben Sie das Gerät nicht bei Regen oder Nässe.** Dies kann das Risiko eines Stromschlags erhöhen.
- **Das Netzkabel darf nicht zweckentfremdet werden. Das Netzkabel darf nicht zum Tragen, Ziehen oder Herausziehen des Elektrowerkzeugs aus der Steckdose verwendet werden. Das Netzkabel muss vor Hitze, Öl, scharfen Kanten oder beweglichen Teilen ferngehalten werden.** Durch beschädigte oder verknottete Kabel besteht erhöhte Stromschlaggefahr.
- **Bei Maschinenbetrieb im Freien muss ein für den Außeneinsatz geeignetes Verlängerungskabel verwendet werden.** Die Stromschlaggefahr verringert sich bei Gebrauch eines Netzkabels, das für den Einsatz im Freien geeignet ist.
- **Wenn sich der Einsatz des Geräts an einem feuchten Ort nicht vermeiden lässt, benutzen Sie eine Steckdose, die mit einem FI-Schalter gesichert ist.** Die Verwendung einer Fehlerstromschutzeinrichtung reduziert die Stromschlaggefahr.

PERSONENSICHERHEIT

- **Seien Sie wachsam, geben Sie darauf Acht, was Sie tun, und benutzen Sie Ihren gesunden Menschenverstand beim Betrieb eines Geräts. Benutzen Sie das Gerät nicht, wenn Sie müde sind oder unter dem Einfluss von Drogen, Alkohol oder Medikamenten stehen.** Ein Moment der Unachtsamkeit kann beim Maschinenbetrieb zu ernsthaften Verletzungen führen.
- **Tragen Sie eine persönliche Schutzausrüstung. Tragen Sie immer einen Augenschutz.** Durch eine für die jeweiligen Bedingungen geeignete Schutzausrüstung wie etwa eine Staubschutzmaske, rutschfeste Schuhe, Helm oder Gehörschutz lässt sich die Verletzungsgefahr verringern.

- **Ungewollten Anlauf verhindern. Vor dem Anschließen an eine Steckdose und/oder einen Akku sowie vor dem Aufnehmen oder Transportieren des Geräts immer kontrollieren, ob der Hauptschalter in ausgeschalteter Position ist.** Unfälle sind vorprogrammiert, wenn Sie Geräte mit einem Finger am Hauptschalter tragen oder Elektrowerkzeuge mit aktiviertem Hauptschalter an eine Steckdose anschließen.
- **Ziehen Sie vor dem Einschalten des Geräts Einstellschlüssel oder Schraubenschlüssel ab.** Wird ein Schraubenschlüssel oder Schlüssel am rotierenden Maschinenteil gelassen, besteht Verletzungsgefahr.
- **Nicht überstrecken. Achten Sie stets auf einen festen Stand und halten Sie das Gleichgewicht.** Dies ermöglicht in unerwarteten Situationen eine bessere Kontrolle über die Maschine.
- **Tragen Sie angemessene Kleidung. Tragen Sie keine weite Kleidung oder Schmuck. Halten Sie Ihr Haar und Ihre Kleidung von den beweglichen Teilen fern.** Weite Kleidung, Schmuck oder langes Haar können sich in den beweglichen Teilen verfangen.
- **Wenn Komponenten zum Anschluss an eine Absauganlage und an Auffangvorrichtungen mitgeliefert werden, achten Sie darauf, dass diese ordnungsgemäß befestigt und benutzt werden.** Die Verwendung einer Staubauffangvorrichtung kann Gefahren durch Staub reduzieren.
- **Auch wenn Sie sich wegen des häufigen Gebrauchs mit der Maschine auskennen, sollten Sie sich nicht zu einer gewissen Nachlässigkeit verleiten und die Grundsätze der Maschinensicherheit außer Acht lassen.** Eine fahrlässige Handlung kann bereits im Bruchteil einer Sekunde zu schweren Verletzungen führen.

NUTZUNG UND PFLEGE DER MASCHINE

- **Nicht zu viel Druck auf die Maschine ausüben. Stets die richtige Maschine für die jeweiligen Arbeiten benutzen.** Durch die passende Maschine lassen sich die Arbeiten besser und sicherer in dem jeweils vorgesehenen Tempo erledigen.
- **Verwenden Sie die Maschine nicht, wenn sie sich mit dem Schalter weder ein- noch ausschalten lässt.** Eine Maschine, das sich nicht mehr ein- oder ausschalten lässt, ist gefährlich und muss repariert werden.
- **Ziehen Sie den Netzstecker aus der Steckdose bzw. nehmen Sie den Akku von der Maschine ab, sofern dies möglich ist, bevor Sie Einstellungen vornehmen, das Zubehör wechseln oder die Maschine verstauen.** Diese vorbeugenden Sicherheitsmaßnahmen verringern das Risiko eines unbeabsichtigten Anlaufs.
- **Unbenutzte Maschinen sollten nicht in Reichweite von Kindern aufbewahrt werden. Personen, die das Maschine oder diese Anleitung nicht kennen, sollte die Benutzung der Maschine untersagt werden.** In den Händen ungeschulter Benutzer sind Maschinen gefährlich.
- **Warten Sie Maschinen und Zubehör. Achten Sie auf falsch ausgerichtete oder fest sitzende Teile, Bruchstellen und sonstige Umstände, die den Maschinenbetrieb beeinträchtigen können.** Lassen Sie die Maschine bei Beschädigung vor dem Gebrauch reparieren. Viele Unfälle entstehen durch schlecht gewartete Maschinen.
- **Halten Sie Schneidemaschinen scharf und sauber.** Sachgemäß gewartete Schneidemaschinen mit scharfen Schneiden neigen weniger zum Festfahren und sind leichter zu kontrollieren.
- **Benutzen Sie die Maschine, Zubehör, Maschinenteile usw. gemäß diesen Anweisungen und berücksichtigen Sie dabei die Arbeitsbedingungen und die auszuführenden Arbeiten.** Die Verwendung der Maschine für andere als die vorgesehenen Arbeiten kann zu einer gefährlichen Situation führen.
- **Halten Sie die Griffe und Griffflächen trocken, sauber und frei von Öl und Fett.** Rutschige Griffe und Griffflächen beeinträchtigen die sichere Handhabung des Geräts und führen in unerwarteten Situationen zum Verlust der Kontrolle über das Gerät.

BENUTZUNG UND PFLEGE DES GERÄTEAKKUS

- **Laden Sie den Akku nur mit dem vom Hersteller vorgegebenen Ladegerät auf.** Ein Ladegerät, das für einen bestimmten Akkutyp geeignet ist, kann bei der Benutzung eines anderen Akkus zu einer Brandgefahr werden.
- **Verwenden Sie das Gerät nur mit den eigens dafür vorgesehenen Akkus.** Bei Verwendung anderer Akkus besteht Verletzungs- und Brandgefahr.
- **Wenn der Akku nicht benutzt wird, halten Sie ihn von anderen metallischen Gegenständen fern, wie etwa Büroklammern, Münzen, Schlüssel, Nägel, Schrauben oder anderen kleinen Metallgegenständen, die eine Verbindung zwischen den Polen herstellen können.** Das Kurzschließen der Pole kann Verbrennungen oder Brände verursachen.
- **Bei unsachgemäßer Anwendung kann Flüssigkeit aus dem Akku austreten; Kontakt vermeiden.** Falls

Sie versehentlich mit Akkusäure in Berührung gekommen sind, spülen Sie die Stelle mit Wasser. Falls Akkusäure in die Augen geraten ist, suchen Sie zudem einen Arzt auf. Aus dem Akku austretende Flüssigkeit kann Reizungen oder Verätzungen verursachen.

- **Benutzen Sie keine beschädigten oder modifizierten Akkus oder Geräte.** Beschädigte oder modifizierte Akkus können sich unvorhergesehen verhalten und einen Brand, eine Explosion oder eine Verletzung hervorrufen.
- **Akkus oder Geräte vor Feuer oder extremen Temperaturen schützen.** Brände oder Temperaturen über 130 °C können eine Explosion verursachen.
- **Befolgen Sie alle Ladeanweisungen und laden Sie den Akku oder das Gerät nicht außerhalb des Temperaturbereichs auf, der in der Anleitung angegebenen ist.** Das unsachgemäße Aufladen oder Laden außerhalb des angegebenen Temperaturbereichs kann den Akku beschädigen und die Brandgefahr erhöhen.

REPARATUREN

- **Lassen Sie das Gerät nur von qualifiziertem Fachpersonal und nur mit Original-Ersatzteilen reparieren.** Dadurch wird sichergestellt, dass die Sicherheit des Geräts gewahrt bleibt.
- **Reparieren Sie unter keinen Umständen beschädigte Akkus.** Akkus sollten ausschließlich vom Hersteller selbst oder einer autorisierten Reparaturwerkstatt repariert werden.

SICHERHEITSHINWEISE ZU VERTIKUTIERERN

- **Verwenden Sie das Gerät nicht bei schlechtem Wetter und insbesondere nicht bei Gewitter.** Bei Gewitter besteht die Gefahr eines Blitzschlags.
- **Untersuchen Sie den Bereich, in dem die Maschine verwendet werden soll, gründlich auf wild lebende Tiere.** Tiere können beim Betrieb der Maschine verletzt werden.
- **Untersuchen Sie gründlich den Bereich, in dem die Maschine verwendet werden soll, und entfernen Sie alle Steine, Stöcke, Drähte, Knochen und andere Fremdkörper.** Weggeschleuderte Gegenstände können zu Verletzungen führen.
- **Kontrollieren Sie die Maschine vor der Verwendung optisch auf Abnutzung oder Schäden an den Zinken bzw. der Zinkenbaugruppe.** Abgenutzte oder beschädigte Teile erhöhen das Verletzungsrisiko.
- **Entfernen Sie die Schutzvorrichtungen nicht von ihrem Platz. Die Schutzvorrichtungen müssen funktionstüchtig und ordnungsgemäß angebracht sein.** Eine lose, beschädigte oder nicht ordnungsgemäß funktionierende Schutzvorrichtung kann zu Verletzungen führen.
- **Halten Sie alle Belüftungsöffnungen frei von Verunreinigungen.** Verstopfte Lufteinlässe und Verschmutzungen können zu Überhitzung und Brandgefahr führen.
- **Tragen Sie beim Gebrauch der Maschine immer rutschfeste Sicherheitsschuhe. Verwenden Sie das Gerät nicht barfuß oder mit offenen Sandalen.** Dies verringert die Gefahr von Fußverletzungen durch Berührung mit den sich bewegenden Zinken.
- **Tragen Sie beim Gebrauch der Maschine immer eine lange Hose.** Auf unbedeckten Hautstellen besteht die Gefahr von Verletzungen durch umhergeschleudertes Schnittgut.
- **Verwenden Sie die Maschine nicht auf nassem Gras. Nur gehen, niemals rennen.** Dadurch wird die Gefahr von Ausrutschen und Stürzen und damit einhergehenden Verletzungen verringert.
- **Betreiben Sie die Maschine nicht an zu steilen Hängen.** Dadurch wird die Gefahr von Kontrollverlust, Ausrutschen und Stürzen und damit einhergehenden Verletzungen verringert.
- **Achten Sie bei der Arbeit an Hängen immer auf sicheren Stand. Arbeiten Sie immer parallel zum Hang und nicht auf- oder abwärts, und seien Sie äußerst vorsichtig bei Richtungswechsel.** Dadurch wird die Gefahr von Kontrollverlust, Ausrutschen und Stürzen und damit einhergehenden Verletzungen verringert.
- **Seien Sie besonders vorsichtig, wenn Sie rückwärts gehen oder das Gerät zu sich heran ziehen. Achten Sie immer auf Ihre Umgebung.** Dadurch wird die Stolpergefahr während des Betriebs verringert.
- **Halten Sie die Maschine nur an den isolierten Griffflächen fest, falls die Zinken in Kontakt mit verborgenen Kabeln geraten.** Treffen die Zinken auf ein Strom führendes Kabel, besteht die Gefahr, dass die blanken Metallteile der Maschine ebenfalls Strom führen, sodass für den Bediener Stromschlaggefahr besteht.
- **Berühren Sie die Zinken und andere gefährliche bewegliche Teile nicht, solange sie noch in Bewegung sind.** Dies reduziert das Verletzungsrisiko durch bewegliche Teile.
- **Wenn Sie eingeklemmtes Material entfernen oder die Maschine reinigen, vergewissern Sie sich, dass**

alle Betriebsschalter in der Aus-Position sind und der Akku getrennt ist. Das unbeabsichtigte Starten der Maschine kann zu schweren Verletzungen führen.

WEITERE WARNUNGEN

- Nur mit dem EGO Kombimotor PH1400E/PH1420E/PHX1600 verwenden.
- ANMERKUNG:** Siehe Handbuch des EGO Kombimotors PH1400E/PH1420E/PHX1600 für detaillierte Sicherheitshinweise und Betriebsanweisungen.

HEBEN SIE DIESE ANLEITUNG AUF

TECHNISCHE DATEN

| | |
|---------------------------------------------------------------------------|------------------------------------------|
| Maximale Arbeitsbreite | 355 mm |
| Leerlaufdrehzahl (mit PH1420E) | Niedrig: 2600 RPM |
| | Hoch: 3000 RPM |
| Tiefeneinstellung | 3 Positionen |
| Vertikutiertiefe | 0 / 10 mm / 20 mm |
| Empfohlene Betriebstemperatur | 0°C – 40°C |
| Empfohlene Lagertemperatur | -20°C – 70°C |
| Gemessener Schalleistungspegel L_{WA} | 88 dB(A) K=2 dB(A) (PH1400E) |
| | 88,49 dB(A) K=0,81 dB(A) (PH1420E) |
| | 90 dB(A) K=0,9 dB(A) (PHX1600) |
| Schalldruckpegel am Ohr des Bedieners L_{PA} | 82 dB(A) K=3 dB(A) (PH1400E) |
| | 79,8 dB(A) K=3 dB(A) (PH1420E) |
| | 82 dB(A) K=3 dB(A) (PHX1600) |
| Garantierter Schalleistungspegel L_{WA} (gemäß Messung nach 2000/14/CE) | 92 dB(A) |

| | | |
|--------------------------------|---------------------|--------------------------------------------------------------|
| Vibrationswert a_n | Vorderer Haltegriff | 2,35 m/s ² K=1,5 m/s ² (PH1400E) |
| | | 2,36 m/s ² K=1,5 m/s ² (PH1420E) |
| | | 2,63 m/s ² K=1,5 m/s ² (PHX1600) |
| | Rear handle | 2,66 m/s ² K=1,5 m/s ² (PH1400E) |
| | | 2,24 m/s ² K=1,5 m/s ² (PH1420E) |
| | | 1,74 m/s ² K=1,5 m/s ² (PHX1600) |
| Gewicht (mit Vertikutierwalze) | | 7,4 kg |

- Die obigen Kennwerte wurden an einem Kombimotor vom Typ PH1400E/PH1420E/PHX1600 getestet und gemessen.
 - Der angegebene Vibrationsgesamtwert wurde nach einem Standard-Prüfverfahren gemessen und kann zum Vergleich mit einem anderen Werkzeug herangezogen werden.
 - Der angegebene Vibrationsgesamtwert kann auch zur vorläufigen Risikobewertung herangezogen werden.
- ⚠️ WARNUNG:** Die beim Einsatz der Maschine auftretenden Vibrationen können von dem angegebenen Wert abweichen. Zum Schutz des Bedieners sollten beim eigentlichen Einsatz der Maschine Handschuhe und ein Gehörschutz getragen werden.
- ⚠️ WARNUNG:** Treffen Sie Sicherheitsmaßnahmen zum Schutz des Bedieners, die auf einer Einschätzung der Gefährdung unter den tatsächlichen Nutzungsbedingungen beruhen. (Zu berücksichtigen sind dabei alle Bestandteile eines Betriebszyklus, wie etwa die Zeiten, zu denen das Gerät ausgeschaltet ist, zu denen es im Leerlauf einschaltet ist sowie Einschaltzeiten.)

BESCHREIBUNG

LERNEN SIE IHREN VERTIKUTIERAUFSATZ KENNEN (Abb. A)

1. Schutzkappe (2)
2. Aufsatzschaft
3. Untere Abdeckung
4. Rad
5. Obere Abdeckungseinheit
6. Hebel zur Tiefeneinstellung
7. Ablenblech
8. Abstreifer
9. 4 mm Sechskantschlüssel
10. 5 mm Sechskantschlüssel
11. Rechenzinken
12. Vertikutierwalze

MONTAGE

⚠️ WARNUNG: Gerät nicht in Betrieb setzen, wenn Teile schadhaft sind oder fehlen. Fehlende oder beschädigte Teile zuerst ersetzen. Die Verwendung dieses Produkts mit beschädigten oder fehlenden Teilen kann zu schweren Verletzungen führen.

⚠️ WARNUNG: Nicht versuchen, das Gerät umzubauen oder Zubehör zu produzieren, das für dieses Gerät nicht empfohlen wird. Derartige Umbauten oder Veränderungen stellen eine Zweckentfremdung dar und können zu schweren Verletzungen führen.

ANSCHLUSS DES AUFSATZSCHAFTES AN DIE VERTIKUTIERER-BAUGRUPPE (Abb. B)

| | | | |
|-----|---------------|-----|------------------|
| B-1 | M5 Bolzen | B-4 | Bohrung |
| B-2 | Schraube | B-5 | Schraubenloch |
| B-3 | Aufsatzschaft | B-6 | Untere Abdeckung |

1. Legen Sie die Vertikutierer-Baugruppe umgedreht auf eine stabile, flache Fläche.
2. Nehmen Sie die Schutzkappe vom Aufsatzschaft ab.
3. Stecken Sie den Aufsatzschaft mit dem Loch nach oben zeigend so weit wie möglich in die untere Abdeckung des Aufsatzes. Richten Sie das Schraubenloch in der unteren Abdeckung auf das Loch am Aufsatzschaft aus.
4. Verwenden Sie den mitgelieferten 4 mm Sechskantschlüssel, um die untere Abdeckung mit dem M5 Bolzen am Aufsatzschaft zu fixieren.

5. Ziehen Sie die beiden vormontierten Bolzen an der unteren Abdeckung mit dem Sechskantschlüssel gut fest.

⚠️ WARNUNG: Vergewissern Sie sich vor dem Betrieb der Maschine, dass die drei Bolzen gut festgezogen sind. Überprüfen Sie sie während des Gebrauchs regelmäßig, um schweren Verletzungen vorzubeugen.

ANBRINGEN DES VERTIKUTIERAUFSATZES AM KOMBIMOTOR

Dieser Vertikutieraufsatz ist für den Einsatz an einem EGO Kombimotor PH1400E/PH1420E/PHX1600 vorgesehen.

Siehe den Abschnitt „**INSTALLATION EINES ANBAUWERKZEUGS AN DEN KOMBIMOTOR**“ in der Betriebsanleitung des Kombimotors PH1400E/PH1420E/PHX1600.

BETRIEB

⚠️ WARNUNG: Auch wenn Sie sich mit dem Gerät auskennen, sollten Sie sich nicht zu einer gewissen Nachlässigkeit verleiten lassen. Denken Sie daran, dass ein kurzer Moment der Unachtsamkeit zu ernsthaften Verletzungen führen kann.

⚠️ WARNUNG: Tragen Sie immer einen Augenschutz. Andernfalls besteht die Gefahr, dass Gegenstände in Ihre Augen geschleudert werden oder andere schwere Verletzungen verursacht werden.

⚠️ WARNUNG: Um schwere Eigenverletzungen zu verhindern, entfernen Sie den Akku aus dem Produkt, bevor Sie die Maschine warten, reinigen, Anbauwerkzeuge auswechseln oder Schnittgut aus dem Produkt entfernen.

⚠️ WARNUNG: Verwenden Sie keine Anbauwerkzeuge oder Zubehörteile, die nicht vom Hersteller dieses Produkts empfohlen worden sind. Der Gebrauch von nicht empfohlenen Anbauwerkzeugen oder Zubehör kann zu schweren Verletzungen führen.

ANWENDUNGEN

Entfernen Sie alte, getrocknete Schnittreste, Moos, Gras oder Wurzelreste von Rasenflächen.

EIN-/AUSSCHALTEN DES VERTIKUTIERERS

Vor dem Gebrauch des Vertikutierers

⚠️ WARNUNG: Tragen Sie zum Schutz vor schweren Verletzungen immer eine Schutzbrille, wenn Sie das Produkt benutzen. Tragen Sie eine Gesichts- oder Staubschutzmaske in staubigen Bereichen. Tragen Sie während des Betriebs angemessene Kleidung und Schuhe, um das Risiko von Verletzungen durch umherfliegende Teile zu verringern.

- Untersuchen Sie das Produkt gründlich auf Schäden, bevor Sie es verwenden. Setzen Sie das Gerät nicht ein, wenn es beschädigt ist oder abgenutzt aussieht.
- Achten Sie darauf, dass der Rasen frei von Steinen, Stöcken, Draht oder anderen Gegenständen ist, die das Produkt beschädigen könnten.
- Mähen Sie den Rasen, bevor Sie vertikutieren, und düngen Sie anschließend.

Tipps zur Bedienung

Damit sich im Frühling ein gesunder Rasen entwickeln kann, ist es notwendig, dass größere Mengen Luft in den Bereich um die Wurzeln des Grasses eindringen. Wir empfehlen, den Rasen mindestens zweimal im Jahr zu vertikutieren, entweder im Frühling oder im Herbst, je nach Zustand Ihres Rasens.

- Zu Ihrer Sicherheit sollten Sie nicht an Hängen mit einer Steigung von mehr als 15 Grad arbeiten. Arbeiten Sie quer zu Hängen; niemals den Hang auf- und abwärts. Seien Sie besonders vorsichtig, wenn Sie an Hängen die Richtung ändern.
- Arbeiten Sie mit diesem Produkt nicht auf nassem Rasen, da nasses Gras dazu neigt, am Deck und an den Zinken haften zu bleiben. Sie könnten außerdem Sie ausrutschen und fallen.
- Halten Sie das Produkt mit beiden Händen. Halten Sie die Griffe trocken, um für einen sicheren Halt zu sorgen.
- Schieben Sie das Produkt langsam nach vorwärts. Bewegen Sie das Produkt mit angemessener Geschwindigkeit. Bewegen Sie es nicht zu schnell, um zu verhindern, dass die Zinken stecken bleiben und eine Motorüberlastung verursachen.
- Schalten Sie das Produkt sofort aus, wenn andere Personen den Arbeitsbereich betreten. Warten Sie vor dem Ablegen des Geräts immer, bis es vollständig zum Stillstand gekommen ist.
- Überanstrengen Sie sich nicht. Machen Sie regelmäßige Pausen, damit Sie sich bei der Arbeit konzentrieren können und die volle Kontrolle über das Gerät behalten.
- Arbeiten Sie in leicht überlappenden Reihen. Das effektivste Muster sind gerade Linien entlang einer der Seiten (Abb. C). So erzielen Sie gleichmäßige Reihen und stellen sicher, dass der gesamte Rasen vertikutiert wird, ohne dass Stellen ausgelassen werden.
- Seien Sie besonders aufmerksam, wenn Sie die Richtung ändern.
- Achten Sie stets auf einen festen Stand. Ausrutschen und Stürzen kann zu schweren Verletzungen führen. Wenn Sie das Gefühl haben, das Gleichgewicht zu verlieren, schalten Sie den Motor sofort aus.

- Arbeiten Sie nicht in der Nähe eines Abhangs oder Ufers; Sie könnten dabei den Halt oder das Gleichgewicht verlieren.

Starten/Stoppen des Vertikutieraufsatzes

Siehe das Kapitel „**STARTEN/STOPPEN DES KOMBIMOTORS**“ in der Betriebsanleitung für PH1400E/PH1420E/PHX1600.

⚠ WARNUNG: Halten Sie die Maschine an, wenn sie zum Transport bei der Überquerung von anderen Flächen als Rasen gekippt werden muss und wenn Sie die Maschine von und zu seinem Einsatzbereich transportieren.

⚠ WARNUNG: Kippen Sie die Maschine beim Einschalten des Motors nicht; es sei denn, die Maschine muss zum Starten gekippt werden. In diesem Fall kippen Sie sie nur so weit, wie es unbedingt erforderlich ist, und heben Sie nur die vom Benutzer abgewandte Seite hoch.

Zinken auf Blockaden prüfen

- Um Blockaden zu verhindern, reinigen Sie die Unterseite der Maschine vor und nach jedem Gebrauch, um Ablagerungen zu entfernen.
- Wenn eine Blockade auftritt, halten Sie die Maschine an und entfernen Sie den Akku. Entfernen Sie dann alle Gras- und Laubansammlungen auf oder um die Zinken und das Deck. Wischen Sie das Gerät mit einem feuchten Tuch ab.

EINSTELLUNG DER TIEFE (Abb. D)

⚠ WARNUNG: Halten Sie Ihre Füße vom Deck fern, wenn Sie die Tiefe einstellen.

Die Vertikutiertiefe kann in 3 Positionen eingestellt werden:

1 und 2: Betriebsposition

3: Transportposition

Stellen Sie die Tiefe entsprechend der Bedürfnisse Ihres Rasens ein.

1. Schalten Sie die Maschine aus und warten Sie, bis sie zum Stillstand gekommen ist.
2. Entfernen Sie den Akku.
3. Ziehen Sie den Hebel zur Tiefeneinstellung aus der Arretierung und stellen Sie ihn in die gewünschte Position.

| | | | |
|-----|-----------------------------|-----|----------------|
| D-1 | Hebel zur Tiefeneinstellung | D-2 | Tiefenposition |
|-----|-----------------------------|-----|----------------|

WARTUNG

⚠️ WARNUNG: Vor Überprüfung, Reinigung oder Reparatur der Maschine den Motor ausschalten, warten, bis alle beweglichen Teile zum Stillstand gekommen sind, und Akku abnehmen. Bei Nichtbeachtung dieser Anweisungen kann es zu schweren Verletzungen oder Sachschäden kommen.

⚠️ WARNUNG: Tragen Sie immer eine Schutzbrille mit Seitenschutz. Andernfalls besteht schwere Verletzungsgefahr, wenn Gegenstände in Ihre Augen geschleudert werden.

⚠️ WARNUNG: Verwenden Sie für die Wartung nur baugleiche Ersatzteile. Die Verwendung anderer Teile kann Unfälle und Schäden am Gerät hervorrufen. Um die Sicherheit und Zuverlässigkeit des Geräts zu gewährleisten, sind alle nicht in dieser Wartungsanleitung genannten Reparaturen von einem qualifizierten Kundendiensttechniker vornehmen zu lassen.

⚠️ WARNUNG: Halten Sie die Maschine an, wenn Sie einen Fremdkörper getroffen haben, und entfernen Sie den Akku, um sicherzustellen, dass alle beweglichen Teile zum Stillstand gekommen sind. Überprüfen Sie dann die Maschine auf Schäden und nehmen Sie eventuell erforderliche Reparaturen vor, bevor Sie die Maschine erneut in Betrieb nehmen.

⚠️ WARNUNG: Halten Sie die Maschine an, wenn sie beginnt, ungewöhnlich zu vibrieren, und entfernen Sie den Akku, um sicherzustellen, dass alle beweglichen Teile zum Stillstand gekommen sind. Überprüfen Sie die Maschine dann sofort auf Schäden, ersetzen oder reparieren Sie beschädigte Teile. Prüfen Sie, ob Teile sich gelöst haben, und ziehen Sie diese fest.

⚠️ WARNUNG: Seien Sie vorsichtig, wenn Sie Einstellungen an dem Produkt vornehmen, um zu verhindern, dass Sie sich die Finger zwischen den beweglichen Teilen und den festen Teilen des Produkts einklemmen.

REINIGUNG

⚠️ WARNUNG: Wenn Sie den Vertikutierer reinigen, tauchen Sie ihn NICHT in Wasser oder andere Flüssigkeiten.

Zum Reinigen von Kunststoffteilen Lösungsmittel vermeiden. Die verschiedenen handelsüblichen Lösungsmittel greifen die meisten Kunststoffe an. Verwenden Sie saubere Lappen zum Entfernen von Schmutz, Staub, Öl, Fett usw.

ÖLEN

Alle Lager dieses Produkts sind mit einer ausreichenden Menge hochwertigem Schmiermittels geschmiert, so dass während der Lebensdauer des Geräts unter normalen Betriebsvoraussetzungen keine weitere Schmierung erforderlich ist. Die Lager müssen daher nicht erneut abgeschmiert werden.

AUSWECHSELN DER WALZE

⚠️ WARNUNG: Bevor Sie Wartungsarbeiten durchführen, entfernen Sie immer den Akku von der Maschine und warten Sie, bis die Zinkenwalze vollständig zum Stillstand gekommen ist. Tragen Sie beim Umgang mit den Zinken immer Schutzhandschuhe.

Abmontieren der Walze

1. Nehmen Sie den Akku vom Kombimotor ab.
2. Legen Sie den Aufsatz umgedreht auf eine flache, feste Fläche.
3. Verwenden Sie den mitgelieferten 5 mm-Sechskantschlüssel, um die beiden Verriegelungsbolzen am Lagersitz der Vertikutierwalze zu lösen und zu entfernen (Abb. E1).
4. Schieben Sie die Vertikutierwalze nach links, bis die Zahnwelle auf der rechten Seite aus der Zahnnahe des Geräts (Abb. E2) herausgezogen wird.
5. Entfernen Sie die Vertikutierwalze von dem Gerät. (Abb. E3).

| | | | |
|------|-----------|------|------------------|
| E1-1 | Lagersitz | E1-2 | Vertikutierwalze |
| E2-1 | Zahnwelle | E2-2 | Zahnnahe |

Einsetzen einer neuen Walze

1. Setzen Sie den Lagersitz der neuen Walze auf die Maschinenbasis und schieben Sie die Walze so weit nach links, wie es geht (Abb. F1).
2. Richten Sie die Zahnwelle aus und führen Sie sie auf der rechten Seite der Walze in die Zahnnahe der Maschine ein (Abb. F2).
3. Richten Sie die beiden Löcher im Lagersitz mit den Löchern in der Basis aus und sichern Sie den Lagersitz mit den Sicherungsbolzen an der Basis (Abb. F3).

AUSWECHSELN DER ZINKEN

Bei normalem Gebrauch können die Zinken im Laufe der Zeit abnutzen oder brechen. Wenn die Einstellung der Zinkentiefe kein angemessenes Vertikutieren mehr möglich macht oder wenn eine Zinke bricht, befolgen Sie die folgenden Schritte, um die Zinken zu ersetzen.

Entfernen der Zinke

1. Nehmen Sie den Akku vom Kombimotor ab.
2. Legen Sie den Aufsatz umgedreht auf eine flache, feste Fläche.
3. Schieben Sie die beiden Stifte der Zinke zum Schlitz 1 an der Walze und ziehen Sie die Zinke von der Vertikutierwalze ab, wie in Abb. G gezeigt.

| | | | |
|-----|-------|-----|-----------|
| G-1 | Stift | G-2 | Schlitz 1 |
|-----|-------|-----|-----------|

Anbringen der Zinke (Abb. H)

1. Stecken Sie den Stift der Zinke in Schlitz 1 an der Walze ein (Schritt 1).
2. Führen Sie den Sitz der Zinke in Schlitz 2 an der Walze (Schritt 2) ein.
3. Führen Sie die beiden Stifte der Zinke in Schlitz 1 ein, drücken Sie nach vorne bis zur Position an Schlitz 3. Die beiden Stifte werden automatisch an ihren Platz zurückspringen (Schritt 3 & 4).

| | | | |
|-----|-----------|-----|-----------|
| H-1 | Stift | H-2 | Schlitz 1 |
| H-3 | Schlitz 2 | H-4 | Schlitz 3 |

TRANSPORT UND LAGERUNG

- Nehmen Sie den Akku vom Kombimotor ab.
- Lassen Sie das Produkt vor dem Verstauen immer abkühlen.
- Reinigen Sie das Produkt gründlich, bevor Sie es verstauen.
- Lagern Sie das Produkt an einem trockenen, gut belüfteten Ort, der sich abschließen lässt oder hoch gelegen und für Kinder unerreikbaar ist. Das Produkt nicht auf oder neben Düngemitteln, Benzin oder anderen Chemikalien abstellen.

SCHUTZ DER UMWELT



Elektrogeräte, alte Akkus und Ladegeräte dürfen nicht im Hausmüll entsorgt werden! Das Gerät muss einer offiziellen Recycling-Sammelstelle zur getrennten Entsorgung zugeführt werden.

Elektrogeräte müssen bei einem umweltfreundlichen Recycling-Betrieb abgegeben werden.

STÖRUNGSBEHEBUNG

DE

| PROBLEM | URSACHE | LÖSUNG |
|----------------------------------------------------------------------------------------|--------------------------------------------------------------------------------------------------------------------------------------------------------------------------------------------------------------------------------------------------|-------------------------------------------------------------------------------------------------------------------------------------------------------------------------------------------------------------------------------------------------------------|
| Motor startet nicht. | <ul style="list-style-type: none"> ■ Der Akku ist entladen. ■ Die Verriegelungstaste oder der Ein-/Ausschalter werden nicht richtig verwendet. ■ Der Akku ist nicht vollständig ins Akkufach eingesetzt worden. | <ul style="list-style-type: none"> ■ Laden Sie den Akku auf. ■ Folgen Sie Abschnitt „STARTEN/ STOPPEN DES KOMBIMOTORS“ im Kombimotor-Handbuch. ■ Prüfen Sie, ob der Akku vollständig ins Akkufach eingesetzt wurde. |
| Das Gerät macht anormale Geräusche. | <ul style="list-style-type: none"> ■ Ablagerungen oder Fremdkörper blockieren die Zinken des Geräts. | <ul style="list-style-type: none"> ■ Stoppen Sie den Motor, entfernen Sie den Akku und beseitigen Sie Grasreste oder Fremdkörper, die das ordnungsgemäße Funktionieren des Geräts verhindern. |
| Das Gerät funktioniert nicht richtig oder die Ergebnisse sind nicht zufriedenstellend. | <ul style="list-style-type: none"> ■ Das Gras ist zu hoch. | <ul style="list-style-type: none"> ■ Mähen Sie vor dem Vertikutieren den Rasen. |
| | <ul style="list-style-type: none"> ■ An der Unterseite des Decks haften feuchte Gras- und Laubreste. | <ul style="list-style-type: none"> ■ Warten Sie, bis der Rasen trocken ist, bevor Sie mit dem Vertikutieren anfangen. |
| | <ul style="list-style-type: none"> ■ Die Tiefe ist falsch eingestellt. | <ul style="list-style-type: none"> ■ Stellen Sie die Tiefe der Zinken ein, um das gewünschte Ergebnis zu erzielen. |
| | <ul style="list-style-type: none"> ■ Zinken abgenutzt oder beschädigt. | <ul style="list-style-type: none"> ■ Ersetzen Sie die Zinken nach Bedarf. |

GARANTIE

EGO-GARANTIEBEDINGUNGEN

Sämtliche EGO-Garantiebedingungen finden Sie auf der Website egopowerplus.eu.

LISEZ TOUTES LES INSTRUCTIONS !



LISEZ LE MANUEL D'UTILISATION

FR

SYMBOLES DE SÉCURITÉ

L'objectif des symboles de sécurité est d'attirer votre attention sur des dangers potentiels. Les symboles de sécurité et les explications les accompagnant doivent être lus attentivement et compris. Les symboles de mise en garde ne permettent pas par eux-mêmes d'éliminer les dangers. Les consignes et mises en garde ne se substituent pas à des mesures de prévention des accidents appropriées.

⚠ AVERTISSEMENT : Veillez à lire et comprendre toutes les consignes de sécurité du présent mode d'emploi, y compris les symboles d'alerte de sécurité tels que « DANGER », « AVERTISSEMENT » et « ATTENTION », avant d'utiliser cette machine. Le non-respect de toutes les instructions énumérées ci-dessous peut entraîner un choc électrique, un incendie et / ou de graves blessures.

SIGNIFICATION DES SYMBOLES

⚠ SYMBOLE DE MISE EN GARDE DE SÉCURITÉ : Indique un **DANGER**, un **AVERTISSEMENT** ou une **MISE EN GARDE**. Peut être utilisé en conjonction d'autres symboles ou pictogrammes.



⚠ AVERTISSEMENT : L'utilisation d'un outil électrique peut entraîner la projection d'objets étrangers dans vos yeux, ce qui peut provoquer des lésions oculaires graves. Avant de commencer à utiliser la machine, portez toujours un

masque de sécurité ou des lunettes de sécurité avec des protections latérales et une visière complète si nécessaire. Nous vous recommandons de porter un masque de sécurité à vision panoramique par-dessus des lunettes de vue ou des lunettes de sécurité standards avec des protections latérales.

CONSIGNES DE SÉCURITÉ

Cette page décrit des symboles de sécurité pouvant être présents sur ce produit. Lisez, comprenez et respectez toutes les instructions présentes sur l'outil avant d'essayer de l'assembler et de l'utiliser.

| | | |
|--|---------------------------------------------------------------------------------------|-------------------------------------------------------------------------------------------------------------------------------------------------------------|
| | Alerte de sécurité | Indique un risque potentiel de blessure corporelle. |
| | Lire et comprendre le manuel d'utilisation | Pour réduire le risque de blessures, l'utilisateur doit lire et comprendre le manuel d'utilisation avant d'utiliser ce produit. |
| | Porter une protection oculaire | Portez toujours un masque de sécurité ou des lunettes de sécurité avec boucliers latéraux et un masque facial intégral lors de l'utilisation de ce produit. |
| | DANGER – Attention à la projection d'objets - gardez les autres personnes à distance. | Avertit l'utilisateur du risque de projection d'objets - garder les autres personnes à distance. |
| | AVERTISSEMENT – Gardez les mains et les pieds à distance | Avertit l'utilisateur de garder les mains et les pieds à distance. |
| | AVERTISSEMENT - Maintenir les mains et les pieds à distance des dents | Avertit l'utilisateur de garder les mains et les pieds à distance des dents. |
| | CE | Ce produit est conforme aux directives CE applicables. |
| | UKCA | Cette machine est conforme à la législation britannique applicable. |
| | DEEE | Les produits électriques usagés ne doivent pas être jetés avec les ordures ménagères. Apportez-les dans un centre de recyclage agréé. |
| | Bruit | Niveau de puissance acoustique garanti. Émission de bruit dans l'environnement conformément à la directive CE. |

| | | |
|-------------------|-------------------------------|------------------------------------------------------------|
| V | Volts | Tension |
| | Courant continu (DC) | Type ou caractéristique du courant |
| mm | Millimètre | Longueur ou taille |
| kg | Kilogramme | Poids |
| min | Minutes | Durée |
| n_0 | Régime à vide | Vitesse de rotation sans charge |
| Min^{-1} | Tours ou mouvement par minute | Tours, coups, vitesse de surface, orbites, etc. par minute |
| Tr / min | Tours par minute | Vitesse de rotation |
| °C | Degrés Celsius | Température |

⚠ AVERTISSEMENT : Pour garantir la sécurité et la fiabilité, toutes les réparations doivent être effectuées par un réparateur qualifié.

AVERTISSEMENTS GÉNÉRAUX DE SÉCURITÉ POUR LES MACHINES FONCTIONNANT SUR BATTERIE

⚠ AVERTISSEMENT : LISEZ TOUTES LES MISES EN GARDE, CONSIGNES, ILLUSTRATIONS ET SPÉCIFICATIONS FOURNIES AVEC CETTE MACHINE.

Le non-respect des consignes figurant ci-dessous peut provoquer un choc électrique, un incendie et/ou des blessures graves.

CONSERVEZ TOUTES LES CONSIGNES DE SÉCURITÉ ET TOUTES LES INSTRUCTIONS POUR POUVOIR VOUS Y RÉFÉRER ULTÉRIEUREMENT.

Le terme « machine » utilisé dans les consignes de sécurité désigne votre machine fonctionnant sur le secteur (filaire) ou sur batterie (sans fil).

SÉCURITÉ DE L'AIRE DE TRAVAIL

- **Maintenez l'aire de travail propre et bien éclairée.** Les endroits sombres ou désordonnés augmentent les risques d'accident.
- **N'utilisez pas les machines dans des atmosphères explosives, par exemple en présence de liquides, d'essence ou de poussières inflammables.** Les

machines génèrent des étincelles pouvant enflammer poussières et vapeurs.

- **Veillez à ce que les enfants et les passants restent éloignés de la machine pendant l'utilisation.** Un moment d'inattention peut vous faire perdre le contrôle de l'outil.

FR

SÉCURITÉ ÉLECTRIQUE

- **La fiche de la machine doit correspondre à la prise électrique. Ne modifiez jamais la prise de quelque manière que ce soit. N'utilisez jamais d'adaptateur avec des machines pourvues d'une mise à la terre.** Les fiches non modifiées et les prises électriques appropriées réduisent le risque de choc électrique.
- **Évitez tout contact physique avec des surfaces mises à la terre ou mises à la masse, telles que tuyaux, radiateurs, fours et réfrigérateurs.** Il y a un risque accru de choc électrique si votre corps est relié à la terre ou à la masse, directement ou indirectement.
- **N'utilisez pas la machine sous la pluie ou dans des conditions humides.** Ceci peut augmenter le risque d'électrocution.
- **Prenez soin du câble d'alimentation. N'utilisez jamais le cordon d'alimentation pour porter, tirer ou débrancher la machine. Veillez à ce que le câble d'alimentation n'entre jamais en contact avec de l'huile, des pièces mobiles, des arêtes tranchantes, et ne soit jamais exposé à de la chaleur.** Les câbles d'alimentation endommagés ou emmêlés augmentent le risque de choc électrique.
- **Quand vous utilisez une machine en extérieur, utilisez une rallonge électrique adaptée à un usage en extérieur.** L'utilisation d'une rallonge conçue pour un usage en extérieur permet de réduire le risque de choc électrique.
- **S'il est impossible d'éviter d'utiliser une machine dans un endroit humide, utilisez une alimentation protégée par un disjoncteur de fuite à la terre (DDFT).** L'utilisation d'un DDFT réduit le risque de choc électrique.

SÉCURITÉ DES PERSONNES

- **Faites preuve de vigilance et de concentration sur ce que vous faites et exercez votre bon sens lors de l'utilisation d'une machine. N'utilisez pas une machine quand vous êtes fatigué(e), sous l'emprise de l'alcool, de stupéfiants ou de médicaments.** Un moment d'inattention pendant l'utilisation d'une machine peut provoquer des blessures corporelles graves.
- **Utilisez des équipements de protection individuelle. Portez toujours une protection oculaire.** L'utilisation

d'équipements de protection appropriés aux conditions de travail, tels qu'un masque anti-poussières, des chaussures de sécurité antidérapantes, un casque et des protections auditives, permet de réduire les risques de blessures corporelles.

- **Évitez les démarrages accidentels. Vérifiez que l'interrupteur marche/arrêt est dans la position arrêt avant de brancher la machine dans une prise électrique et/ou d'insérer la batterie, de le saisir ou de le transporter.** Transporter des machines avec le doigt sur l'interrupteur marche/arrêt ou mettre sous tension des machines dont l'interrupteur est en position marche augmente le risque d'accidents.
- **Retirez toutes les clés de réglage et de serrage avant de mettre la machine en marche.** Une clé de réglage ou de serrage laissée sur une pièce rotative de la machine peut provoquer des blessures corporelles.
- **N'essayez pas d'atteindre des endroits difficiles d'accès. Conservez en permanence un bon appui et un bon équilibre.** Cela permet un meilleur contrôle de la machine en cas de situations inattendues.
- **Portez une tenue adaptée. Ne portez pas de vêtement ample ni de bijou. Maintenez vos cheveux et vos vêtements éloignés des pièces mobiles.** Les vêtements amples, les bijoux et les cheveux longs peuvent se prendre dans les pièces mobiles.
- **Si un outil est conçu pour être utilisé avec des dispositifs d'extraction et de récupération des poussières, veillez à ce que ces dispositifs soient raccordés et correctement utilisés.** L'utilisation de dispositifs de récupération des poussières permet de réduire les risques liés aux poussières.
- **Continuez à respecter les principes de sécurité même si vous vous sentez familiarisé(e) à l'utilisation de la machine.** La négligence peut provoquer de graves blessures en une fraction de seconde.

UTILISATION ET ENTRETIEN DE LA MACHINE

- **Ne forcez pas sur la machine. Utilisez une machine adaptée à votre travail.** L'utilisation d'une machine qui convient au travail à effectuer permet de réaliser ce travail plus efficacement, avec une sécurité accrue et au rythme pour lequel la machine a été conçue.
- **N'utilisez pas la machine si son interrupteur marche/arrêt ne permet pas de l'allumer et de l'éteindre.** Une machine qui ne peut pas être contrôlée avec son interrupteur marche/arrêt est dangereuse et doit être réparée.
- **Débranchez la fiche de l'alimentation électrique et/ou retirez la batterie, si amovible, de la machine avant tout réglage ou changement d'accessoire, et avant de ranger la machine.** De telles mesures de sécurité préventives réduisent le risque de démarrage accidentel de la machine.
- **Conservez la machine à l'arrêt hors de portée des enfants et ne laissez pas des personnes non familiarisées avec la machine ou les présentes consignes utiliser la machine.** Les machines sont dangereuses dans les mains d'utilisateurs non formés.
- **Entretenez les machines et les accessoires. Contrôlez la machine pour vérifier qu'aucune pièce mobile n'est grippée ou mal alignée, qu'aucune pièce n'est cassée, et pour tout autre problème qui pourrait affecter son fonctionnement.** Si elle est endommagée, faites réparer la machine avant utilisation. De nombreux accidents sont dus à des machines mal entretenues.
- **Veillez à ce que les machines de coupe restent affûtées et propres.** Des machines de coupe bien entretenues et affûtées risquent moins de se coincer et sont plus faciles à contrôler.
- **Utilisez la machine, ses accessoires, mèches/embouts et toutes les autres pièces conformément au présent mode d'emploi, en prenant en compte les conditions d'utilisation et le travail à effectuer.** L'utilisation de la machine à d'autres finalités que celles pour lesquelles elle a été conçue peut engendrer des situations dangereuses.
- **Maintenez les poignées et surfaces de préhension propres, sèches et exemptes d'huile et de graisse.** Les poignées et surfaces de préhension glissantes ne permettent pas de tenir et de contrôler la machine de manière sûre en cas de situations inattendues.

UTILISATION ET ENTRETIEN DE LA BATTERIE DE LA MACHINE

- **Rechargez la batterie exclusivement avec le chargeur spécifié par le fabricant.** Un chargeur adapté à un type de batterie en particulier peut présenter un risque d'incendie s'il est utilisé avec un type de batterie différent.
- **Utilisez les machines uniquement avec la batterie indiquée.** L'utilisation de toute autre batterie peut engendrer un risque de blessures et d'incendie.
- **Lorsque la batterie n'est pas utilisée, elle doit être rangée à l'écart de tout objet métallique, tel que les trombones, pièces de monnaie, clés, clous, vis et tous les autres petits objets métalliques pouvant mettre en contact ses bornes.** Mettre en court-circuit les bornes de la batterie peut provoquer des brûlures et un incendie.

- **Si la batterie est soumise à des conditions d'utilisation excessives, du liquide peut s'en échapper. Évitez tout contact avec ce liquide. En cas de contact accidentel, rincez à grande eau.**
En cas de contact avec les yeux, vous devez en outre consulter un médecin. Le liquide qui s'échappe de la batterie peut provoquer des irritations et des brûlures.
- **N'utilisez pas une batterie ou une machine endommagée ou modifiée.** Les batteries modifiées ou endommagées peuvent avoir un comportement imprévisible susceptible de provoquer un incendie, une explosion ou un risque de blessure.
- **N'exposez pas la batterie ou la machine à des flammes ou à une température excessive.**
L'exposition au feu ou à des températures supérieures à 130 °C peut provoquer une explosion.
- **Respectez toutes les consignes de recharge et ne rechargez pas la batterie ou la machine hors de la plage de température spécifiée dans les consignes.**
La recharge incorrecte ou à des températures hors de la plage spécifiée peut endommager la batterie et accroître le risque d'incendie.
- **Maintenez les carters de protection en place.**
Les carters de protections doivent être en état de marche et correctement montés. Un carter de protection desserré, endommagé ou ne fonctionnant pas correctement peut entraîner des blessures.
- **Veillez à ce que toutes les ouïes de refroidissement restent toujours libres de tout débris.** Des entrées d'air obstruées et les débris peuvent entraîner une surchauffe ou un risque d'incendie.
- **Lors de l'utilisation de la machine, portez toujours des chaussures antidérapantes et protectrices. N'utilisez pas la machine si vous êtes pieds nus ou si vous portez des sandales ouvertes.** Cela réduit les risques de blessures aux pieds en cas de contact avec les dents en mouvement.
- **Lors de l'utilisation de la machine, portez toujours un pantalon long.** La peau exposée augmente le risque de blessures causées par des objets projetés.
- **N'utilisez pas la machine sur de l'herbe mouillée. Marchez, ne courez jamais.** Ceci réduit le risque de glissade et de chute pouvant entraîner des blessures.

RÉPARATION

- **Faites réparer votre machine par un réparateur qualifié qui ne doit utiliser que des pièces de rechange identiques.** Ceci permet de garantir la sécurité de la machine.
- **Ne réparez jamais les batteries endommagées.** La réparation des batteries doit toujours être effectuée par le fabricant ou des réparateurs agréés.

CONSIGNES DE SÉCURITÉ POUR LES DÉCHAUMEUSES

- **N'utilisez pas la machine par mauvais temps, notamment lorsqu'il y a un risque de foudre.** Cela réduit le risque d'être frappé(e) par la foudre.
- **Inspectez minutieusement la zone où la machine doit être utilisée pour vérifier l'absence d'animaux sauvages.** Les animaux sauvages peuvent être blessés par la machine pendant son fonctionnement.
- **Inspectez minutieusement la zone où la machine doit être utilisée et retirez toutes les pierres, bâtons, câbles, os et autres objets étrangers.** Les objets projetés peuvent provoquer des blessures corporelles.
- **Avant d'utiliser la machine, procédez toujours à un contrôle visuel pour vérifier que les dents et leur support ne sont pas usés ou endommagés.** Les pièces usées ou endommagées augmentent le risque de blessure.
- **Faites extrêmement attention quand vous faites demi-tour ou que vous tirez la machine vers vous. Ayez toujours conscience de ce qui vous entoure.** Ceci réduit le risque de trébucher pendant l'utilisation.
- **Tenez la machine exclusivement par ses surfaces de préhension isolées, car les dents pourraient entrer en contact avec des câbles électriques dissimulés.** Si les dents entrent en contact avec un câble électrique sous tension, les parties métalliques de l'outil peuvent se retrouver sous tension et l'opérateur risque de subir un choc électrique.
- **Ne touchez pas les dents et autres pièces mobiles dangereuses lorsqu'elles sont encore en mouvement.** Cela permet de réduire le risque de blessures causées par les pièces mobiles.
- **Avant d'enlever du matériau coincé ou de nettoyer la machine, assurez-vous que tous les interrupteurs sont à l'arrêt et que la batterie est**

déconnectée. Un fonctionnement inattendu de la machine peut entraîner des blessures graves.

FR

MISES EN GARDE COMPLÉMENTAIRES

- Utiliser uniquement avec le bloc moteur EGO PH1400E/PH1420E/PHX1600.
- **REMARQUE** : Consultez le mode d'emploi de votre bloc-moteur EGO PH1400E/PH1420E/PHX1600 pour connaître les règles de sécurité et les consignes d'utilisation détaillées.

CONSERVEZ CES INSTRUCTIONS

SPECIFICATIONS

| | |
|------------------------------------------------------------------------------|------------------------------------------|
| Largeur de travail maximale | 355 mm |
| Vitesse à vide (avec PH1420E) | Basse : 2600 TR/MIN |
| | Haut : 3000 TR/MIN |
| Molette de réglage de profondeur | 3 positions |
| Profondeur de déchaumage | 0 / 10 mm / 20 mm |
| Température d'utilisation recommandée | 0°C – 40°C |
| Température de stockage recommandée | -20°C – 70°C |
| Niveau de puissance acoustique mesuré L_{WA} | 88 dB(A) K=2 dB(A) (PH1400E) |
| | 88,49 dB(A) K=0,81 dB(A) (PH1420E) |
| | 90 dB(A) K=0,9 dB(A) (PHX1600) |
| Niveau de pression acoustique au niveau des oreilles de l'opérateur L_{PA} | 82 dB(A) K=3 dB(A) (PH1400E) |
| | 79,8 dB(A) K=3 dB(A) (PH1420E) |
| | 82 dB(A) K=3 dB(A) (PHX1600) |

| | | |
|--------------------------------------------------------------------------------------|--------------------------|--------------------------------------------------------------|
| Niveau de puissance acoustique garanti L_{WA} (conformément à la norme 2000/14/CE) | | 92 dB(A) |
| Niveau de vibration a_h | Poignée auxiliaire avant | 2,35 m/s ² K=1,5 m/s ² (PH1400E) |
| | | 2,36 m/s ² K=1,5 m/s ² (PH1420E) |
| | | 2,63 m/s ² K=1,5 m/s ² (PHX1600) |
| | Rear handle | 2,66 m/s ² K=1,5 m/s ² (PH1400E) |
| | | 2,24 m/s ² K=1,5 m/s ² (PH1420E) |
| | | 1,74 m/s ² K=1,5 m/s ² (PHX1600) |
| Poids (avec cylindre de déchaumage) | | 7,4 kg |

- Les paramètres ci-dessus ont été testés et mesurés avec le bloc moteur PH1400E/PH1420E/PHX1600.
- La valeur totale des vibrations indiquée a été mesurée selon une procédure conforme à une méthode de test standardisée et peut servir pour comparer différents outils.
- La valeur totale des vibrations déclarée peut également servir pour effectuer une évaluation préliminaire de l'exposition.

⚠ AVERTISSEMENT : Le niveau de vibrations lors de l'utilisation réelle de la machine peut être différent de la valeur déclarée totale en fonction de la manière dont la machine est utilisée ; Afin de protéger l'opérateur, l'utilisateur doit porter des gants et des protections auditives en conditions réelles d'utilisation.

⚠ AVERTISSEMENT : Il est nécessaire d'identifier des mesures de sécurité nécessaires pour protéger l'opérateur en se basant sur une estimation de l'exposition dans les conditions réelles d'utilisation (en prenant en compte toutes les phases du cycle d'utilisation, telles que les moments où la machine est éteinte, quand elle fonctionne à vide et à plein régime).

DESCRIPTION

DESCRIPTION DE VOTRE ACCESSOIRE DE DÉCHAUMAGE (FIG. A)

1. Embout (2)
2. Arbre d'accessoire
3. Capot inférieur
4. Roue
5. Ensemble capot supérieur
6. Manette de réglage de profondeur
7. Déflecteur de protection
8. Barre de raclage
9. Clé hexagonale de 4 mm
10. Clé hexagonale de 5 mm
11. Dent de râteau
12. Cylindre de déchaumage

ASSEMBLAGE

⚠ AVERTISSEMENT : Si une ou plusieurs pièces sont manquantes ou endommagées, n'utilisez pas cet outil tant que toutes les pièces n'ont pas été remplacées. Utilisez cet outil avec des pièces endommagées ou manquantes peut provoquer des blessures corporelles graves.

⚠ AVERTISSEMENT : N'essayez pas de modifier ce produit ni de créer des accessoires non recommandés pour être utilisés avec ce produit. De tels modifications et changements constituent un usage impropre et peuvent engendrer des situations dangereuses pouvant conduire à des blessures corporelles graves.

RACCORDEMENT DE L'ARBRE D'ACCESSOIRE À L'ACCESSOIRE DE DÉCHAUMAGE (Fig B)

| | | | |
|-----|--------------------|-----|-----------------|
| B-1 | Boulon M5 | B-4 | Trou |
| B-2 | Boulon | B-5 | Trou de vis |
| B-3 | Arbre d'accessoire | B-6 | Capot inférieur |

1. Posez l'accessoire de déchaumage à l'envers sur une surface plane et stable.
2. Retirez le capuchon d'extrémité de l'extrémité avant de l'arbre d'accessoire.
3. Avec le trou de l'arbre d'accessoire orienté vers le haut, insérez l'arbre d'accessoire dans le capot inférieur de l'accessoire aussi loin que possible. Alignez le trou de vis du capot inférieur avec le trou de l'arbre d'accessoire.
4. À l'aide de la clé hexagonale de 4 mm fournie, fixez le capot inférieur à l'arbre d'accessoire avec le boulon M5.

5. À l'aide de la clé hexagonale, serrez fermement les deux boulons préinstallés sur le capot inférieur.

⚠ AVERTISSEMENT : Assurez-vous que les trois boulons sont bien serrés avant d'utiliser l'appareil. Vérifiez régulièrement le serrage pendant l'utilisation afin d'éviter tout risque de blessure grave.

FR

RACCORDEMENT DE L'ACCESSOIRE DE DÉCHAUMAGE AU BLOC-MOTEUR

Cet accessoire de déchaumage est conçu pour être utilisé avec le bloc-moteur EGO PH1400E/PH1420E/PHX1600.

Consultez la partie « **MONTAGE D'UNE EXTENSION SUR LE BLOC-MOTEUR** » du mode d'emploi du bloc-moteur PH1400E/PH1420E/PHX1600.

FONCTIONNEMENT

⚠ AVERTISSEMENT : Veillez à ne pas devenir moins prudent(e) au fur et à mesure que vous vous familiarisez avec cet outil. Gardez à l'esprit qu'une fraction de seconde d'inattention peut suffire pour provoquer des blessures graves.

⚠ AVERTISSEMENT : Portez toujours une protection oculaire. Sans protection, des objets peuvent être projetés dans vos yeux et d'autres blessures graves peuvent se produire.

⚠ AVERTISSEMENT : Afin d'éviter des blessures corporelles graves, retirez la batterie de l'appareil avant toute opération de réparation, nettoyage, changement d'accessoires ou de retrait de matières de l'appareil.

⚠ AVERTISSEMENT : N'utilisez aucun accessoire ou pièce non recommandé par le fabricant de ce produit. L'utilisation d'accessoires ou de pièces non recommandés peut provoquer des blessures corporelles graves.

APPLICATIONS

Enlevez les vieilles coupures séchées, la mousse, l'herbe ou les résidus de racines de la pelouse.

DÉMARRAGE/ARRÊT DU DÉCHAUMEUR

Avant d'utiliser le déchaumeur

⚠ AVERTISSEMENT : Afin d'éviter les risques de blessures corporelles graves, portez en permanence des lunettes de sécurité ou un masque pendant l'utilisation de cet appareil. Portez un masque facial ou un masque à poussière dans les endroits poussiéreux. Portez des vêtements et des chaussures appropriés pendant le travail afin de réduire le risque de blessure pouvant être causée par des projections de déchets.

- Examinez soigneusement l'appareil pour détecter tout dommage avant de l'utiliser. N'utilisez pas l'outil s'il

est endommagé ou présente des signes d'usure.

- Assurez-vous qu'il n'y a pas dans la pelouse de pierres, de brindilles, de fils et d'autres objets qui pourraient endommager l'appareil.
- Tondez la pelouse avant de passer la machine, et fertilisez ensuite.

Conseils sur l'utilisation

Pour qu'une pelouse saine se développe au printemps, il est important qu'une plus grande quantité d'air pénètre dans la zone autour des racines de l'herbe. Nous recommandons de déchaumer la pelouse au moins deux fois par an, au printemps ou à l'automne selon l'état de votre pelouse.

- Pour votre sécurité, ne travaillez pas sur des pentes de plus de 15°. Passez la machine perpendiculairement aux pentes, jamais vers le haut ni vers le bas. Faites extrêmement attention en changeant de direction sur les pentes.
- Ne passez pas la machine sur une pelouse humide car l'herbe mouillée a tendance à coller au plateau et aux dents, elle pourrait également vous faire glisser et tomber.
- Tenez l'appareil à deux mains. Maintenez les poignées sèches pour garantir une préhension sûre.
- Poussez lentement l'appareil vers l'avant. Déplacez l'appareil à la vitesse appropriée. Ne passez pas la machine trop vite afin d'éviter que les dents ne se coincent et ne provoquent une surcharge du moteur.
- Éteignez immédiatement l'appareil si d'autres personnes pénètrent dans la zone de travail. Attendez toujours l'arrêt complet de l'appareil avant de le poser.
- Ne sollicitez pas la machine au-delà de ses capacités. Faites régulièrement des pauses pour garantir que vous puissiez rester concentré sur le travail et conserver un contrôle total de la machine.
- Travaillez en lignes légèrement superposées. Le motif le plus efficace est celui de lignes droites le long d'un des côtés (Fig. C). Cela permet de garder les lignes uniformes et de garantir que toute la pelouse soit déchaumée sans oublier aucun endroit.
- Faites particulièrement attention lorsque vous changez de direction.
- Ayez toujours des appuis sûrs. Une glissade ou une chute peut causer des blessures graves. Si vous sentez que vous perdez l'équilibre, coupez immédiatement le moteur.
- Ne travaillez pas près de dénivelés brutaux, d'accotements et de trous, car vous pourriez perdre vos appuis ou votre équilibre.

Démarrer/arrêter l'accessoire de déchaumage

Consultez la partie « **DÉMARRAGE / ARRÊT DU BLOC MOTEUR** » du mode d'emploi des modèles PH1400E/PH1420E /PHX1600.

⚠ AVERTISSEMENT : Arrêtez la machine avant de l'incliner pour la transporter lors de la traversée de surfaces autres que l'herbe et pour la transporter vers et depuis la zone dans laquelle elle doit être utilisée.

⚠ AVERTISSEMENT : N'inclinez pas la machine lors de la mise en marche du moteur, sauf si la machine doit être inclinée pour le démarrage. Dans ce cas, ne l'inclinez pas plus que nécessaire et soulevez uniquement la partie la plus éloignée de l'opérateur.

Vérification du blocage des dents

- Afin d'éviter tout blocage, nettoyez le dessous de la machine avant et après chaque utilisation pour enlever tous les déchets accumulés.
- En cas de blocage, arrêtez la machine et retirez-en la batterie, puis enlevez tous les amas d'herbe et de feuilles sur ou autour des dents et du plateau de coupe. Essuyez la machine avec un chiffon humide.

RÉGLAGE DE LA PROFONDEUR (Fig D)

⚠ AVERTISSEMENT : Tenez vos pieds à distance du carénage lorsque vous en réglez la profondeur.

La profondeur de déchaumage peut être réglée sur 3 positions de profondeur :

1 & 2 : position de travail

3 : position de transport

Réglez la profondeur en fonction des besoins de votre pelouse.

1. Éteignez la machine et attendez son arrêt complet.
2. Retirez la batterie.
3. Tirez le levier de réglage de la profondeur de coupe hors du cran et réglez-le sur la position souhaitée.

| | | | |
|-----|----------------------------------|-----|------------------------|
| D-1 | Manette de réglage de profondeur | D-2 | Position de profondeur |
|-----|----------------------------------|-----|------------------------|

ENTRETIEN

⚠ AVERTISSEMENT : Avant d'inspecter, de nettoyer ou de réparer la machine, éteignez le moteur, attendez l'arrêt complet de toutes les pièces mobiles et retirez la batterie. Ne pas respecter ces instructions peut provoquer des blessures corporelles graves et des dommages matériels.

⚠ AVERTISSEMENT : Portez toujours une protection oculaire avec boucliers latéraux. Le non-respect de cette consigne pourrait entraîner la projection d'objets dans les yeux et provoquer des blessures graves éventuelles.

⚠ AVERTISSEMENT : La machine ne doit être réparée qu'avec des pièces de rechange identiques. L'utilisation de toute autre pièce peut créer un danger ou détériorer l'outil. Pour garantir la sécurité et la fiabilité, toutes les réparations, autres que les opérations listées dans ces instructions d'entretien, doivent être effectuées par un réparateur qualifié.

⚠ AVERTISSEMENT : Après avoir heurté un objet étranger, arrêtez la machine et enlevez la batterie pour vous assurer que toutes les pièces mobiles sont complètement arrêtées. Examinez ensuite la machine pour détecter tout dommage et effectuez les réparations nécessaires avant de la redémarrer et de la réutiliser.

⚠ AVERTISSEMENT : Si la machine commence à vibrer de manière anormale, arrêtez-la et retirez la batterie pour vous assurer que toutes les pièces mobiles sont complètement arrêtées. Examinez ensuite immédiatement la machine pour repérer les éventuels dommages, remplacez ou réparez les pièces endommagées et vérifiez et resserrez les pièces desserrées le cas échéant.

⚠ AVERTISSEMENT : Pendant le réglage du produit, prenez soin de ne pas vous coincer les doigts entre les pièces en rotation et les pièces fixes du produit.

NETTOYAGE

⚠ AVERTISSEMENT : Lors du nettoyage de l'accessoire de déchaumage, ne l'immergez PAS dans l'eau ni dans tout autre liquide.

N'utilisez pas de solvant pour nettoyer les pièces en plastique. La plupart des plastiques peuvent être détériorés par de nombreux types de solvants vendus dans le commerce. Utilisez des chiffons propres pour enlever les saletés, les poussières, l'huile, la graisse, etc.

GRAISSAGE

Tous les roulements de ce produit sont lubrifiés avec une quantité suffisante de lubrifiant de haute qualité pour la durée de vie de la machine dans des conditions normales d'utilisation. C'est pourquoi il n'est pas nécessaire de lubrifier davantage les roulements.

REMPLACEMENT DU CYLINDRE

⚠ AVERTISSEMENT : Avant d'effectuer tout entretien, retirez toujours la batterie de la machine et attendez l'arrêt complet du cylindre à dents. Portez des gants de protection pour manipuler les dents.

Pour retirer le cylindre

1. Retirez la batterie du bloc moteur.
2. Posez l'accessoire à l'envers sur une surface plane et stable.
3. Utilisez la clé hexagonale de 5 mm fournie pour dévisser et retirer les deux boulons de verrouillage sur le logement de palier du cylindre de déchaumage (Fig E1).
4. Poussez le cylindre de déchaumage vers la gauche jusqu'à ce que l'arbre cannelé à l'extrémité droite soit retiré du moyeu cannelé de la machine (Fig E2).
5. Retirez le cylindre de déchaumage de la machine (Fig E3).

| | | | |
|------|--------------------|------|------------------------|
| E1-1 | Logement de palier | E1-2 | Cylindre de déchaumage |
| E2-1 | Arbre de broche | E2-2 | Moyeu de broche |

Pour installer un nouveau cylindre

1. Placez le logement de palier du cylindre neuf sur la base de la machine et poussez le cylindre vers la gauche jusqu'à la butée (Fig F1).
2. Alignez et insérez l'arbre cannelé sur le côté droit du cylindre dans le moyeu cannelé de la machine (Fig F2).
3. Alignez les deux trous du logement de palier avec les trous de la base, fixez le logement de palier à la base avec les boulons de verrouillage (Fig F3).

REMPLACEMENT DES DENTS DE RÂTEAU

Dans des conditions normales d'utilisation, les dents de râteau peuvent s'user ou se casser avec le temps. Lorsque le réglage de la profondeur des dents ne vous donne plus la quantité de déchaumage correcte, ou si une dent se casse, suivez les étapes ci-dessous pour remplacer les dents.

Pour retirer les dents

1. Retirez la batterie du bloc moteur.
2. Posez l'accessoire à l'envers sur une surface plane et stable.
3. Enfoncez les deux broches de la dent de râteau dans la fente 1 du cylindre et retirez la dent de râteau du cylindre de déchaumage, voir figure G.

| | | | |
|-----|----------|-----|---------|
| G-1 | Goupille | G-2 | Fente 1 |
|-----|----------|-----|---------|

Pour installer la dent de râteau (Fig H)

1. Insérez la goupille de la dent de râteau dans la fente 1 du cylindre (étape 1).
2. Insérez la base de la dent de râteau dans la fente 2 du cylindre (étape 2).
3. Guidez les deux broches de la dent dans la fente 1, poussez vers l'avant jusqu'à la position de la fente 3 et les deux broches se remettront automatiquement en place (étapes 3 et 4).

FR

| | | | |
|-----|----------|-----|---------|
| H-1 | Goupille | H-2 | Fente 1 |
| H-3 | Fente 2 | H-4 | Fente 3 |

TRANSPORT ET RANGEMENT

- Retirez la batterie du bloc moteur.
- Laissez toujours l'appareil refroidir avant le remisage.
- Nettoyez soigneusement l'appareil avant de le ranger.
- Rangez l'appareil dans un endroit sec, bien aéré, fermé à clé ou en hauteur et hors de portée des enfants. Ne rangez pas l'appareil sur ou à proximité d'engrais, d'essence ou d'autres substances chimiques.

PROTECTION DE L'ENVIRONNEMENT



Ne jetez pas les équipements électriques, les batteries et les chargeurs usagés avec les ordures ménagères ! Apportez ce produit chez un recycleur agréé et rendez-le disponible pour une collecte séparée. Les machines électriques doivent être ramenées dans un centre de recyclage.

GUIDE DE DÉPANNAGE

| PROBLÈME | CAUSE | SOLUTION |
|---------------------------------------------------------------------------------------|---------------------------------------------------------------------------------------------------------------------------------------------------------------------------------------------------------------------------------------------|------------------------------------------------------------------------------------------------------------------------------------------------------------------------------------------------------------------------------------------------------------------------------|
| Le moteur ne démarre pas | <ul style="list-style-type: none"> ■ La batterie est déchargée. ■ Utilisation incorrecte du bouton de déverrouillage ou de la gâchette. ■ La batterie n'est pas entièrement insérée dans son compartiment. | <ul style="list-style-type: none"> ■ Rechargez la batterie. ■ Consultez la partie « DÉMARRAGE/ ARRÊT DU BLOC-MOTEUR » dans le mode d'emploi du bloc-moteur. ■ Vérifiez si la batterie est entièrement insérée dans son compartiment. |
| La machine fait des bruits anormaux. | <ul style="list-style-type: none"> ■ Débris ou corps étrangers bloquant les dents de la machine. | <ul style="list-style-type: none"> ■ Arrêtez le moteur, retirez la batterie et enlevez les déchets ou objets étrangers empêchant la machine de fonctionner correctement. |
| La machine ne fonctionne pas correctement ou les résultats ne sont pas satisfaisants. | <ul style="list-style-type: none"> ■ L'herbe est trop haute. | <ul style="list-style-type: none"> ■ Tondez la pelouse avant de la déchaumer. |
| | <ul style="list-style-type: none"> ■ Débris humides collés en dessous du plateau de coupe. | <ul style="list-style-type: none"> ■ Attendez que la pelouse soit sèche avant de la déchaumer. |
| | <ul style="list-style-type: none"> ■ La profondeur est réglée sur un réglage incorrect. | <ul style="list-style-type: none"> ■ Ajustez la profondeur des dents pour obtenir le résultat souhaité. |
| | <ul style="list-style-type: none"> ■ Dents usées ou endommagées. | <ul style="list-style-type: none"> ■ Remplacez les dents si nécessaire. |

FR

GARANTIE

POLITIQUE DE GARANTIE EGO

Rendez-vous sur le site web egopowerplus.eu pour consulter l'intégralité des conditions de la politique de garantie EGO.

¡LEA TODAS LAS INSTRUCCIONES!



LEA EL MANUAL DEL USUARIO

ES

SÍMBOLOS DE SEGURIDAD

El propósito de los símbolos de seguridad es atraer su atención hacia posibles peligros. Los símbolos de seguridad y las explicaciones que los acompañan requieren su máxima atención y comprensión. Por sí solos, los símbolos de advertencia no eliminan los posibles peligros. Las instrucciones y advertencias que proporcionan no sustituyen a las medidas adecuadas de prevención de accidentes.

⚠️ ADVERTENCIA: Asegúrese de leer y comprender todas las instrucciones de seguridad de este manual del usuario, incluidos todos los símbolos de aviso sobre seguridad, como «PELIGRO», «ADVERTENCIA» y «PRECAUCIÓN», antes de utilizar esta máquina. Si no se observan todas las instrucciones que se indican a continuación existe riesgo de incendio, electrocución y lesiones graves.

SIGNIFICADO DE LOS SÍMBOLOS

⚠️ SÍMBOLO DE AVISO DE SEGURIDAD: indica PELIGRO, ADVERTENCIA o PRECAUCIÓN. Pueden utilizarse de manera conjunta con otros símbolos o pictogramas.



⚠️ ADVERTENCIA: Cuando se utilizan máquinas, es posible que salgan despedidos objetos que podrían causar lesiones oculares graves. Antes de empezar a usar la máquina, póngase siempre gafas de seguridad,

gafas con cristales anti-impacto que cuenten con pantallas de protección lateral, o bien una máscara facial que proteja completamente la cara. Recomendamos usar una máscara de seguridad de amplia visión que pueda utilizarse encima de gafas graduadas, o bien gafas normales de seguridad equipadas con pantallas laterales.

PRECAUCIONES DE SEGURIDAD

Esta página muestra y describe los símbolos de seguridad que puede haber en este producto. Asegúrese de leer, comprender y cumplir todas las instrucciones que se indican en la máquina antes de proceder a su montaje y utilización.

| | | |
|--|------------------------------------------------------------------------------------------------------|-------------------------------------------------------------------------------------------------------------------------------------------------------------------------------------------------------------|
| | Aviso de seguridad | Indica una situación potencialmente peligrosa que, de no evitarse, podría provocar lesiones. |
| | Lea y comprenda el manual del usuario | Para reducir el riesgo de lesiones, el usuario debe leer y comprender el manual del usuario antes de utilizar este producto. |
| | Utilizar protección ocular | Utilice siempre gafas de seguridad, gafas con cristales anti-impacto que cuenten con pantallas de protección lateral, o bien una máscara facial que proteja completamente la cara cuando use este producto. |
| | ADVERTENCIA - Tenga cuidado con los objetos que salen despedidos: mantenga alejadas a otras personas | Alerta al usuario para que tenga cuidado con los objetos que salen despedidos y mantenga alejadas a otras personas. |
| | PELIGRO - Mantenga las manos y los pies alejados | Alerta a los usuarios para que mantengan las manos y los pies alejados. |
| | ADVERTENCIA - Mantenga las manos y los pies alejados de las púas | Alerta al usuario para que mantenga las manos y los pies alejados de las púas. |
| | CE | Este producto está en conformidad con las directivas de la CE aplicables. |
| | UKCA | Este producto está en conformidad con la legislación aplicable del Reino Unido. |
| | RAEE | Los productos eléctricos no deben eliminarse con la basura doméstica. Lívelos a un centro de reciclaje autorizado. |

| | | |
|-------------------|------------------------------------|----------------------------------------------------------------------------------------------------------------------------|
| | Ruido | Nivel de potencia acústica garantizado. La emisión de ruido al medio ambiente cumple la directiva de la Comunidad Europea. |
| V | Voltio | Tensión |
| | Corriente continua (CC) | Tipo o característica de la corriente |
| mm | Milímetro | Longitud o tamaño |
| kg | Kilogramo | Peso |
| min | Minutos | Tiempo |
| n_0 | Velocidad sin carga | Velocidad de giro, sin carga |
| min^{-1} | Revoluciones o carreras por minuto | Revoluciones, carreras, velocidad de superficie, órbitas, etc. por minuto |
| RPM | Revoluciones por minuto | Velocidad de giro |
| °C | Grados Celsius | de funcionamiento |

⚠ ADVERTENCIA: Para garantizar la seguridad y fiabilidad de la herramienta, las reparaciones debe realizarlas únicamente un técnico cualificado.

ADVERTENCIAS GENERALES DE SEGURIDAD PARA MÁQUINAS ACCIONADAS POR BATERÍA

⚠ ADVERTENCIA: LEA TODAS LAS ADVERTENCIAS DE SEGURIDAD, INSTRUCCIONES, ILUSTRACIONES Y ESPECIFICACIONES INCLUIDAS CON ESTA MÁQUINA. Si no se cumplen todas las instrucciones que se enumeran a continuación, pueden producirse descargas eléctricas, incendios o lesiones graves.

CONSERVE TODAS LAS INSTRUCCIONES Y ADVERTENCIAS PARA PODER CONSULTARLAS EN EL FUTURO.

El término «máquina» que aparece en las advertencias se refiere a la máquina que funciona conectada a la red eléctrica (con cable) o a la máquina a batería (sin cable).

SEGURIDAD EN LA ZONA DE TRABAJO

- **Mantenga la zona de trabajo limpia y bien iluminada.** Las zonas desordenadas u oscuras invitan a los accidentes.
- **No utilice máquinas en entornos explosivos, por ejemplo, en presencia de líquidos inflamables, gasolina o polvo.** Las máquinas crean chispas que pueden encender el polvo o los humos.
- **Mantenga a los niños y las demás personas alejados cuando esté utilizando una máquina.** Las distracciones podrían hacerle perder el control de la herramienta.

ES

SEGURIDAD ELÉCTRICA

- **Los enchufes de las máquinas deben coincidir con la toma de corriente. No modifique nunca el enchufe de ningún modo. Nunca utilice enchufes adaptadores o ladrones de corriente con máquinas equipadas con conexión a tierra.** Si no se modifican los enchufes y estos corresponden con las tomas de corriente, se reducirán enormemente los riesgos de electrocución.
- **Evite cualquier contacto corporal con superficies conectadas a tierra, como tuberías, radiadores, hornillos eléctricos y frigoríficos.** Existe un mayor riesgo de descarga eléctrica si su cuerpo tiene conexión a tierra.
- **No utilice la máquina en condiciones de lluvia o humedad.** Esto puede aumentar el riesgo de descarga eléctrica.
- **No maltrate el cable. Nunca utilice el cable para transportar, arrastrar, o desenchufar la máquina. Mantenga el cable alejado del calor, el aceite, los bordes afilados o las piezas móviles.** Los cables dañados o enredados aumentan el riesgo de descarga eléctrica.
- **Cuando use una máquina al aire libre, utilice un cable alargador adecuado para uso en exteriores.** El uso de un cable adecuado para exteriores reducirá el riesgo de descarga eléctrica.
- **Si es inevitable usar una máquina en un entorno húmedo, utilice una alimentación con un interruptor de protección diferencial (GFCI, por sus siglas en inglés).** La utilización de un interruptor de protección diferencial reducirá el riesgo de descarga eléctrica.

SEGURIDAD PERSONAL

- **Manténgase alerta, preste atención a lo que está haciendo y aplique el sentido común durante el uso de una máquina. No utilice una máquina si está cansado o se encuentra bajo los efectos de**

- estupefacientes, alcohol o fármacos.** Cualquier momento de descuido durante la utilización de máquinas podría provocar lesiones físicas graves.
- **Utilice equipo de protección personal. Utilice siempre protección ocular.** El equipo de protección, como máscaras antipolvo, calzado de seguridad antideslizante, casco protector o protección auditiva, cuando se utiliza adecuadamente, reduce las lesiones personales.
 - **Evite la puesta en marcha accidental de la herramienta. Asegúrese de que el interruptor de encendido se encuentra en la posición de apagado antes de enchufar la máquina a la red eléctrica y/o de acoplar la batería, así como al agarrar o transportar la máquina.** Transportar máquinas con el dedo en el interruptor o con el interruptor en la posición de encendido aumenta el riesgo de accidente.
 - **Retire cualquier llave de ajuste o llave inglesa de la máquina antes de encenderla.** Una llave inglesa o una llave de ajuste enganchada a una parte giratoria de la máquina puede producir lesiones.
 - **No se estire demasiado para alcanzar lugares de difícil acceso. Mantenga una posición firme y equilibrada en todo momento.** De este modo podrá controlar mejor la máquina en situaciones inesperadas.
 - **Utilice ropa adecuada. No lleve puesta ropa holgada ni joyas. Mantenga el pelo, la ropa y los guantes alejados de las piezas móviles.** La ropa holgada, así como las joyas o el pelo, largo podrían engancharse en las partes móviles de la herramienta.
 - **Si se incluyen dispositivos de conexión a extractores y colectores de polvo, asegúrese de conectarlos y utilizarlos adecuadamente.** El uso de un colector de polvo puede reducir los riesgos asociados con el polvo.
 - **El hecho de haberse familiarizado con la máquina por el uso frecuente no debe hacer que se descuide e ignore los principios de seguridad de la misma.** Una distracción puede provocar lesiones graves en una fracción de segundo.

USO Y CUIDADO DE LA MÁQUINA

- **No fuerce la máquina. Utilice la máquina correcta para su aplicación.** La máquina correcta funcionará mejor y con más seguridad a la velocidad para la que ha sido diseñada.
- **No use la máquina si el interruptor no funciona para encenderla y apagarla.** Cualquier máquina que no pueda controlarse mediante su interruptor, supondrá un peligro y deberá repararse antes de poder utilizarse.
- **Desconecte el enchufe de la toma de corriente y/o retire la batería de la máquina antes de realizar algún ajuste, cambiar de accesorios o guardarla.** Estas medidas preventivas de seguridad reducirán enormemente el riesgo de que la máquina pueda activarse de manera fortuita.
- **Cuando no se utilice la máquina, guárdela fuera del alcance de los niños y no permita que la use ninguna persona que no esté familiarizada con la máquina o con estas instrucciones.** Las máquinas son peligrosas si las usan personas sin experiencia.
- **Realice el mantenimiento de las máquinas y los accesorios. Compruebe si hay elementos móviles desalineados o trabados, piezas rotas u otra circunstancia que pueda afectar al funcionamiento de la máquina.** Si la máquina está dañada, llévela a reparar antes de usarla. Muchos accidentes se deben a un mantenimiento deficiente de las máquinas.
- **Mantenga las máquinas de corte afiladas y limpias.** Las máquinas de corte bien afiladas tienen menos probabilidades de atascarse y son más fáciles de controlar.
- **Use la máquina, los accesorios, las brocas, etc., siguiendo las instrucciones y teniendo en cuenta las condiciones de trabajo y la tarea a realizar.** El uso de la máquina para fines diferentes a los previstos podría provocar situaciones de peligro.
- **Mantenga las asas y las superficies de agarre secas, limpias y libres de aceite y grasa.** Si las asas y las superficies de agarre están resbaladizas, no se puede manejar la máquina de forma segura ni mantener el control en las situaciones inesperadas.

USO Y CUIDADO DE LA MÁQUINA A BATERÍA

- **Recargue únicamente con el cargador especificado por el fabricante.** Un cargador que es adecuado para un tipo de batería podría ocasionar un incendio si se utiliza con una batería distinta.
- **Utilice las máquinas solo con las baterías diseñadas específicamente para ellas.** El uso de cualquier otro tipo de batería puede provocar riesgo de lesiones e incendio.
- **Cuando no se esté utilizando la batería, manténgala apartada de objetos metálicos como clips para papeles, monedas, llaves, clavos, tornillos, o cualquier otro objeto metálico pequeño que pudiera provocar un cortocircuito en sus terminales de corriente.** Si se provoca el cortocircuito en los terminales de la batería, podrían producirse quemaduras o incendios.
- **En condiciones de uso intensivo, es posible que se**

produzca una fuga de líquido de la batería; evite el contacto. Enjuague con agua si se produce un contacto accidental. Si el líquido entra en contacto con los ojos, solicite también atención médica. El líquido que emana de la batería puede provocar irritaciones o quemaduras.

- **No utilice una batería o una máquina que haya sido modificada o que esté dañada.** Las baterías dañadas o modificadas pueden tener un comportamiento impredecible y provocar un incendio, explosión o riesgo de lesiones.
- **No exponga la batería ni la máquina al fuego ni a una temperatura excesiva.** La exposición al fuego o a una temperatura superior a 130 °C podría provocar una explosión.
- **Siga todas las instrucciones de carga y no cargue la batería ni la máquina fuera del rango de temperatura especificado en las instrucciones.** Una carga incorrecta o a temperaturas fuera del rango especificado puede dañar la batería y aumentar el riesgo de incendio.

SERVICIO TÉCNICO

- **Las reparaciones de la máquina debe realizarlas un técnico cualificado, utilizando solo piezas de recambio idénticas.** Solo de este modo podrá garantizarse la seguridad de la máquina.
- **No repare nunca baterías que estén dañadas.** Las baterías solo debe repararlas el fabricante o un centro de servicio técnico autorizado.

ADVERTENCIAS DE SEGURIDAD DEL ESCARIFICADOR

- **No utilice la máquina cuando haga mal tiempo, especialmente si hay riesgo de relámpagos.** Así reducirá el riesgo de ser alcanzado por un rayo.
- **Inspeccione minuciosamente la zona en la que se va a utilizar la máquina, por si hubiese algún animal.** La fauna silvestre puede resultar herida por la máquina durante su funcionamiento.
- **Examine minuciosamente la zona donde vaya a utilizarse la herramienta y retire las piedras, ramas, cables, huesos o cualquier otro objeto extraño.** Los objetos lanzados por la acción de la herramienta podrían causar lesiones físicas.
- **Antes de utilizar la máquina, inspeccione siempre visualmente que las púas de corte y el conjunto de las púas no estén desgastados ni dañados.** Las piezas desgastadas dañadas aumentan el riesgo de lesiones.
- **Mantenga las protecciones en su sitio. Las protecciones deben estar operativas y estar bien**

montadas. Una protección que esté suelta, dañada o que no funcione correctamente puede provocar lesiones personales.

- **Mantenga todas las entradas de ventilación de la herramienta libres de obstrucciones.** Las entradas de aire obstruidas y los residuos pueden provocar sobrecalentamiento o riesgo de incendio.
- **Cuando utilice la máquina, lleve siempre calzado antideslizante y de protección. No utilice la máquina cuando vaya descalzo o lleve puestas sandalias abiertas.** De este modo, se reduce la posibilidad de que los pies se lesionen si entran en contacto con las púas en movimiento.
- **Cuando utilice la máquina, lleve siempre pantalones largos.** La piel expuesta aumenta la probabilidad de que se produzcan lesiones debido a objetos que salen despedidos.
- **No utilice la máquina sobre hierba mojada. Desplácese caminando, sin correr nunca.** Con ello se reduce el riesgo de resbalones y caídas que pueden provocar lesiones personales.
- **No utilice la máquina en pendientes excesivamente pronunciadas.** Con ello se reduce el riesgo de pérdida de control, resbalones y caídas que pueden provocar lesiones personales.
- **Cuando trabaje en pendientes, asegúrese siempre de apoyar bien los pies, trabaje siempre en sentido transversal, nunca hacia arriba o hacia abajo, y extreme las precauciones al cambiar de dirección.** Con ello se reduce el riesgo de pérdida de control, resbalones y caídas que pueden provocar lesiones personales.
- **Extreme la precaución al retroceder o al tirar hacia usted de la máquina. Sea siempre consciente de su entorno.** Esto reduce el riesgo de tropiezos durante el funcionamiento.
- **Sujete la máquina únicamente por sus superficies de agarre aisladas, ya que las púas podrían entrar en contacto con cables ocultos.** El contacto de las púas con un cable bajo tensión podría transmitir a las piezas metálicas expuestas de la máquina la corriente transportada por el cable, y hacer que el usuario reciba una descarga eléctrica.
- **No toque las púas ni otras partes móviles peligrosas mientras estén en movimiento.** Esto reduce el riesgo de lesiones causadas por las piezas móviles.
- **Cuando quite material atascado o limpie la máquina, asegúrese de que estén apagados todos los interruptores y de que ha desconectado la batería.** El funcionamiento inesperado de la máquina puede provocar lesiones personales graves.

ADVERTENCIAS COMPLEMENTARIAS

- Para uso exclusivo con el conjunto de motor EGO PH1400E/PH1420E/PHX1600.
NOTA: Consulte en el manual del operador del conjunto de motor EGO PH1400E/PH1420E/PHX1600 las normas de seguridad detalladas y las instrucciones de funcionamiento.

ES

GUARDE ESTAS INSTRUCCIONES

ESPECIFICACIONES

| | |
|----------------------------------------------------------------------------|------------------------------------------|
| Anchura máxima de trabajo | 355 mm |
| Velocidad sin carga (con PH1420E) | Baja: 2600 RPM |
| | Alta: 3000 RPM |
| Ajuste de profundidad | 3 posiciones |
| Profundidad de escarificación | 0 / 10 mm / 20 mm |
| Temperatura de funcionamiento recomendada | De 0 °C a 40 °C |
| Temperatura de almacenamiento recomendada | De -20 °C a 70 °C |
| Nivel de potencia acústica medido L_{WA} | 88 dB(A) K=2 dB(A) (PH1400E) |
| | 88,49 dB(A) K=0,81 dB(A) (PH1420E) |
| | 90 dB(A) K=0,9 dB(A) (PHX1600) |
| Nivel de presión acústica medido a la altura del oído del usuario L_{PA} | 82 dB(A) K=3 dB(A) (PH1400E) |
| | 79,8 dB(A) K=3 dB(A) (PH1420E) |
| | 82 dB(A) K=3 dB(A) (PHX1600) |
| Nivel de potencia acústica garantizado L_{WA} (medido según 2000/14/CE) | 92 dB(A) |

| | | |
|-------------------------------------|-------------------------------|--------------------------------------------------------------|
| Evaluación de la vibración a_{hv} | Empuñadura auxiliar delantera | 2,35 m/s ² K=1,5 m/s ² (PH1400E) |
| | | 2,36 m/s ² K=1,5 m/s ² (PH1420E) |
| | | 2,63 m/s ² K=1,5 m/s ² (PHX1600) |
| | Rear handle | 2,66 m/s ² K=1,5 m/s ² (PH1400E) |
| | | 2,24 m/s ² K=1,5 m/s ² (PH1420E) |
| | | 1,74 m/s ² K=1,5 m/s ² (PHX1600) |
| Peso (con cilindro escarificador) | 7,4 kg | |

- Los parámetros anteriores se han comprobado y medido equipando un conjunto de motor PH1400E/PH1420E/PHX1600.
- El valor de vibración total ha sido medido de acuerdo con el método de prueba estándar y se puede utilizar para comparar herramientas.
- El valor total de vibración declarado se puede usar además en una evaluación preliminar del grado de exposición.

⚠ ADVERTENCIA: Las vibraciones generadas durante el uso real de la máquina pueden diferir del valor declarado en función de la manera en que se utilice. Como protección, el usuario debería utilizar guantes y protectores auditivos en condiciones reales de uso.

⚠ ADVERTENCIA: Es necesario identificar medidas de seguridad para proteger al usuario, que se basen en una estimación de la exposición en las condiciones reales de uso (teniendo en cuenta todas las partes del ciclo de uso, como los tiempos en los que la máquina está parada y el funcionamiento en ralentí, además del tiempo de accionamiento).

DESCRIPCIÓN

FAMILIARÍCESE CON EL ACCESORIO ESCARIFICADOR (Fig. A)

1. Caperuza (2)
2. Tubo del accesorio
3. Cubierta inferior
4. Rueda
5. Conjunto de la cubierta superior
6. Palanca de ajuste de profundidad
7. Protector deflector
8. Rascador
9. Llave hexagonal de 4 mm
10. Llave hexagonal de 5 mm
11. Púa de rastrillo
12. Cilindro del escarificador

MONTAJE

⚠ ADVERTENCIA: Si alguna pieza falta o está rota, no utilice el producto hasta haber sustituido las piezas. Podrían producirse lesiones graves en caso de utilizar el producto si alguna de sus piezas falta o está dañada.

⚠ ADVERTENCIA: No intente modificar este producto ni fabricar accesorios no recomendados para su uso en este producto. Cualquier alteración o modificación se considerará uso indebido y podría provocar una situación peligrosa con riesgo de sufrir lesiones graves.

CONEXIÓN DEL TUBO DEL ACCESORIO AL CONJUNTO DEL ESCARIFICADOR (Fig. B)

| | | | |
|-----|--------------------|-----|-----------------------|
| B-1 | Tornillo M5 | B-4 | Orificio |
| B-2 | Tornillo | B-5 | Orificio del tornillo |
| B-3 | Tubo del accesorio | B-6 | Cubierta inferior |

1. Coloque el conjunto del escarificador boca abajo sobre una superficie plana y estable.
2. Retire la caperuza del extremo delantero del tubo del accesorio.
3. Con el orificio del tubo del accesorio hacia arriba, inserte el tubo del accesorio en la cubierta inferior del accesorio hasta el tope. Alinee el orificio del tornillo de la cubierta inferior con el orificio del tubo del accesorio.
4. Con la llave hexagonal de 4 mm incluida, fije la cubierta inferior al tubo del accesorio con el tornillo M5.

5. Con la llave hexagonal, apriete firmemente los dos tornillos preinstalados en la cubierta inferior.

⚠ ADVERTENCIA: Asegúrese de que los tres tornillos estén totalmente apretados antes de utilizar el equipo: compruebe el apriete periódicamente durante el uso para evitar lesiones personales graves.

CONEXIÓN DEL ACCESORIO ESCARIFICADOR AL CONJUNTO DE MOTOR

Este accesorio escarificador está diseñado para el uso con el conjunto de motor EGO PH1400E/PH1420E/PHX1600.

Consulte el apartado «**INSTALACIÓN DE UN ACCESORIO EN EL CONJUNTO DE MOTOR**» del manual del usuario del conjunto de motor PH1400E/PH1420E/PHX1600.

FUNCIONAMIENTO

⚠ ADVERTENCIA: No permita que el hecho de estar familiarizado con el producto le haga descuidarse. Recuerde que cualquier distracción de una fracción de segundo es suficiente para provocar lesiones graves.

⚠ ADVERTENCIA: Utilice siempre protección ocular. De lo contrario, de la herramienta pueden salir objetos despedidos y alcanzar los ojos, provocando lesiones graves.

⚠ ADVERTENCIA: Para evitar lesiones graves, quite la batería del producto antes de realizar cualquier reparación, limpieza, cambio de accesorios o de retirar acumulaciones de material cortado.

⚠ ADVERTENCIA: No utilice piezas o accesorios no recomendados por el fabricante de este producto. La utilización de piezas o accesorios no recomendados puede provocar lesiones graves.

APLICACIONES

Elimine del césped los recortes viejos y secos, el musgo, la hierba o los restos de raíces.

ARRANQUE/PARADA DEL ESCARIFICADOR

Antes de utilizar el escarificador

⚠ ADVERTENCIA: Para evitar lesiones personales graves, utilice gafas protectoras o de seguridad en todo momento cuando maneje este producto. Utilice una mascarilla de protección o antipolvo en entornos en los que se produzca polvo. Lleve ropa y calzado adecuados durante el funcionamiento para reducir el riesgo de lesiones que puedan causar los restos que salgan despedidos.

- Inspeccione bien el producto antes de utilizarlo,

para comprobar que no presenta daños. No utilice el producto si está dañado o se observa desgaste.

- Asegúrese de que el césped esté libre de piedras, palos, alambres u otros objetos que puedan dañar el producto.
- Corte el césped antes de realizar el trabajo y abónelo después.

ES

Consejos de uso

Para que se desarrolle un césped sano en primavera, es necesario que penetre una mayor cantidad de aire alrededor de las raíces de la hierba. Recomendamos escarificar el césped al menos dos veces al año, durante la primavera o el otoño, dependiendo del estado de su césped.

- Por su seguridad, no utilice la máquina en pendientes superiores a 15 grados. Trabaje a lo largo de las pendientes, no hacia arriba y hacia abajo. Extremar la precaución al cambiar de dirección mientras utiliza la herramienta en pendientes.
- No utilice este producto sobre césped mojado, ya que la hierba húmeda tiende a pegarse a la plataforma y a las púas, además de que podría provocar un resbalón y una caída.
- Sujete el producto con ambas manos. Mantenga las asas secas para garantizar un apoyo seguro.
- Empuje lentamente el producto hacia delante. Mueva el producto a la velocidad adecuada. No lo mueva demasiado rápido para evitar que las púas se atasquen y provoquen una sobrecarga del motor.
- Apague el producto inmediatamente si otras personas entran en la zona de trabajo. Deje siempre que el producto se detenga por completo antes de depositarlo en el suelo.
- No se exceda. Haga descansos regulares para poder concentrarse en el trabajo y tener pleno control sobre la máquina.
- Trabaje en hileras ligeramente superpuestas. El patrón más eficaz son las líneas rectas a lo largo de uno de los lados (fig. C). De este modo, las hileras se mantendrán uniformes y se garantizará que todo el césped quede escarificado sin omitir ningún punto.
- Preste especial atención al cambiar de dirección.
- Asegúrese siempre de tener los pies firmemente apoyados sobre el suelo. Un resbalón o una caída podrían provocar lesiones graves. Si siente que pierde el equilibrio, apague inmediatamente el motor.
- No utilice la máquina cerca de precipicios, zanjas o terraplenes, ya que podría perder pie o el equilibrio.

Para arrancar/parar el accesorio escarificador

Consulte el apartado «ARRANQUE/PARADA DEL CONJUNTO DE MOTOR» del manual del usuario del PH1400E/PH1420E/PHX1600.

⚠ ADVERTENCIA: Pare la máquina en caso de que sea necesario inclinarla para transportarla, así como al atravesar superficies que no sean de hierba y al transportarla hasta y desde el lugar de uso.

⚠ ADVERTENCIA: No incline la menos cuando encienda el motor, excepto si es necesario inclinarla para el arranque. En ese caso, no la incline más de lo absolutamente necesario y eleve únicamente la parte que queda más alejada del usuario.

Comprobación del bloqueo de las púas

- Para evitar bloqueos, limpie la parte inferior de la máquina antes y después de cada uso para eliminar los residuos acumulados.
- Cuando se produzca un bloqueo, pare la máquina y quite la batería; a continuación, elimine cualquier acumulación de hierba y hojas sobre o alrededor de las púas y la cubierta. Limpie la máquina con un paño húmedo.

AJUSTE DE LA PROFUNDIDAD (Fig. D)

⚠ ADVERTENCIA: Mantenga los pies apartados de la plataforma al ajustar la profundidad.

La profundidad de escarificación puede ajustarse en 3 posiciones de profundidad:

- 1 y 2: posición de funcionamiento
- 3: posición de transporte

Ajuste la profundidad en función de las necesidades de su césped.

1. Apague la máquina y espere a que se detenga por completo.
2. Quite la batería.
3. Saque la palanca de ajuste de profundidad del enclavamiento y colóquela en la posición deseada.

| | | | |
|-----|----------------------------------|-----|-------------------------|
| D-1 | Palanca de ajuste de profundidad | D-2 | Posición de profundidad |
|-----|----------------------------------|-----|-------------------------|

MANTENIMIENTO

⚠ ADVERTENCIA: Antes de inspeccionar, limpiar o realizar el mantenimiento de la máquina, apague el motor, espere a que se detengan todas las partes móviles y quite la batería. El incumplimiento de estas instrucciones podría provocar lesiones personales graves o daños materiales.

⚠ ADVERTENCIA: Utilice siempre gafas de seguridad con pantallas de protección lateral. De lo contrario, pueden salir objetos despedidos y alcanzar los ojos, pudiendo provocar lesiones graves.

⚠ ADVERTENCIA: Cuando repare el aparato, utilice solo piezas idénticas a las originales. La utilización de otras piezas puede suponer un peligro o causar daños en el producto. Para garantizar la seguridad y fiabilidad del producto, todas las reparaciones que no se enumeran en estas instrucciones de mantenimiento deberá realizarlas un técnico cualificado.

⚠ ADVERTENCIA: Después de golpear un objeto extraño, detenga la máquina y quite la batería para asegurarse de que todas las piezas móviles se han detenido por completo. Inspeccione la máquina para ver si se han producido daños y efectúe las reparaciones oportunas antes de volver a poner en marcha y utilizar la máquina.

⚠ ADVERTENCIA: Si la máquina empieza a vibrar de forma anormal, deténgala y quite la batería para asegurarse de que todas las piezas móviles se han detenido por completo. A continuación, inspeccione inmediatamente la máquina para ver si se han producido daños, sustituya o repare las piezas dañadas, compruebe si hay piezas sueltas y apriételas.

⚠ ADVERTENCIA: Al efectuar ajustes, extreme las precauciones para evitar atraparse los dedos entre las piezas móviles y los elementos fijos del producto.

LIMPIEZA

⚠ ADVERTENCIA: Cuando limpie el accesorio escarificador, NO lo sumerja en agua ni en otros líquidos.

Evite utilizar disolventes para limpiar las piezas de plástico. La mayoría de los plásticos podrían dañarse si se limpian con algunos de los tipos de disolventes disponibles en el mercado. Utilice paños limpios para eliminar la suciedad y los residuos de polvo, aceite, grasa, etc.

LUBRICACIÓN

Todos los cojinetes de este producto están lubricados con una cantidad suficiente de lubricante de alto grado para toda la vida útil del aparato en condiciones normales de funcionamiento. Por tanto, no es necesario volver a lubricar los cojinetes.

SUSTITUCIÓN DEL CILINDRO

⚠ ADVERTENCIA: Antes de realizar cualquier operación de mantenimiento, quite siempre la batería de la máquina y espere a que el cilindro de púas se detenga por completo. Utilice guantes de protección para manipular las púas.

Para quitar el cilindro

- Quite el acumulador del cabezal motor.
- Coloque el accesorio boca abajo sobre una superficie plana y estable.
- Utilice la llave hexagonal de 5 mm incluida para aflojar y retirar los dos tornillos de bloqueo del asiento del cojinete del cilindro del escarificador (fig. E1).
- Empuje el cilindro escarificador hacia la izquierda hasta que el eje estriado del extremo derecho salga del cubo estriado de la máquina (fig. E2).
- Saque de la máquina el cilindro del escarificador (fig. E3).

| | | | |
|------|----------------------|------|----------------------------|
| E1-1 | Asiento del cojinete | E1-2 | Cilindro del escarificador |
| E2-1 | Eje del husillo | E2-2 | Cubo del husillo |

Para instalar el nuevo cilindro

- Coloque el asiento del cojinete del cilindro nuevo en la base de la máquina y empuje el cilindro hacia la izquierda hasta el tope (fig. F1).
- Alinee e inserte el eje estriado del lado derecho del cilindro en el cubo estriado de la máquina (fig. F2).
- Alinee los dos orificios del asiento del cojinete con los orificios de la base, fije el asiento del cojinete a la base con los tornillos de bloqueo (fig. F3).

SUSTITUCIÓN DE LAS PÚAS DE RASTRILLO

En condiciones normales de uso, las púas de rastrillo pueden desgastarse o romperse con el tiempo. Cuando el ajuste de la profundidad de las púas ya no le proporcione la cantidad correcta de escarificación, o si se rompe una púa, siga los pasos que se indican a continuación para sustituir las púas.

Para quitar la púa

- Quite el acumulador del cabezal motor.
- Coloque el accesorio boca abajo sobre una superficie plana y estable.
- Empuje los dos pasadores de la púa de rastrillo hacia la ranura 1 en el cilindro y extraiga la púa de rastrillo del cilindro del escarificador como se muestra en la fig. G.

| | | | |
|-----|---------|-----|----------|
| G-1 | Pasador | G-2 | Ranura 1 |
|-----|---------|-----|----------|

Para instalar la púa de rastrillo (Fig. H)

1. Introduzca el pasador de la púa de rastrillo en la ranura 1 del cilindro (paso 1).
2. Introduzca el asiento de la púa del rastrillo en la ranura 2 del cilindro (paso 2).
3. Introduzca los dos pasadores de la púa en la ranura 1, empuje hacia delante hasta la posición en la ranura 3 y los dos pasadores rebotarán automáticamente a su sitio (pasos 3 y 4).

ES

| | | | |
|-----|----------|-----|----------|
| H-1 | Pasador | H-2 | Ranura 1 |
| H-3 | Ranura 2 | H-4 | Ranura 3 |

TRANSPORTE Y ALMACENAMIENTO

- Quite el acumulador del cabezal motor.
- Espere siempre que el producto se haya enfriado lo suficiente antes de guardarlo.
- Limpie bien el producto antes de guardarlo.
- Guarde el producto en un lugar seco y bien ventilado, bajo llave o en un lugar alto, fuera del alcance de los niños. No guarde el producto encima ni cerca de fertilizantes, gasolina u otros productos químicos.

PROTECCIÓN DEL MEDIO AMBIENTE



¡No elimine aparatos eléctricos, baterías usadas ni cargadores de baterías junto con los desperdicios domésticos! Lleve este producto a un punto de reciclaje autorizado y deposítelo por separado según corresponda. Las máquinas eléctricas se deben llevar a un punto de reciclaje con el fin de proteger el medio ambiente.

SOLUCIÓN DE PROBLEMAS

| PROBLEMA | CAUSA | SOLUCIÓN |
|------------------------------------------------------------------------------|----------------------------------------------------------------------------------------------------------------------------------------------------------------------------------------------------------------------------------------------------------------------|------------------------------------------------------------------------------------------------------------------------------------------------------------------------------------------------------------------------------------------------------------------------------------------------|
| El motor no arranca | <ul style="list-style-type: none"> ■ La carga de la batería está agotada. ■ El botón de desbloqueo o el gatillo interruptor no se han usado correctamente. ■ La batería no está completamente insertada en el puerto de la batería. | <ul style="list-style-type: none"> ■ Cargue la batería. ■ Siga las instrucciones del apartado «ARRANQUE/PARADA DEL CONJUNTO DEL MOTOR» en el manual del conjunto de motor. ■ Compruebe si la batería está completamente insertada en el puerto de la batería. |
| La máquina hace ruidos anómalos. | <ul style="list-style-type: none"> ■ Escombros u objetos extraños que obstaculizan las púas de la máquina. | <ul style="list-style-type: none"> ■ Detenga el motor, quite la batería y retire los residuos u objetos extraños que impidan que la máquina funcione correctamente. |
| La máquina no funciona correctamente o los resultados no son satisfactorios. | <ul style="list-style-type: none"> ■ La hierba es demasiado alta. | <ul style="list-style-type: none"> ■ Corte el césped antes de escarificar. |
| | <ul style="list-style-type: none"> ■ Residuos húmedos pegados a la parte inferior de la cubierta. | <ul style="list-style-type: none"> ■ Espere a que el césped esté seco antes de escarificar. |
| | <ul style="list-style-type: none"> ■ Profundidad mal ajustada. | <ul style="list-style-type: none"> ■ Ajuste la profundidad de las púas para obtener el resultado deseado. |
| | <ul style="list-style-type: none"> ■ Púas desgastadas o dañadas. | <ul style="list-style-type: none"> ■ Sustituya las púas según sea necesario. |

ES

GARANTÍA

POLÍTICA DE GARANTÍA DE EGO

Visite la página web egopowerplus.eu para conocer los términos y condiciones completos de la política de garantía de EGO.

LEIA TODAS AS INSTRUÇÕES!



LEIA O MANUAL DO UTILIZADOR

PT

SÍMBOLOS DE SEGURANÇA

O objetivo dos símbolos de segurança é chamar a atenção para possíveis perigos. Os símbolos de segurança e as explicações apresentadas com eles requerem a sua atenção e compreensão. Os avisos de segurança, só por si não eliminam o perigo. As instruções e avisos dados não são substitutos para medidas de prevenção adequadas a acidentes.

⚠️ AVISO: Certifique-se de que lê e compreende todos os avisos de segurança neste manual do utilizador, incluindo todos os símbolos de alerta de segurança, como “PERIGO”, “AVISO” e “CUIDADO” antes de usar esta máquina. Não seguir todas as instruções apresentadas abaixo pode resultar em choque elétrico, incêndio e/ou ferimentos graves.

SIGNIFICADO DOS SÍMBOLOS

⚠️ SÍMBOLO DE ALERTA DE SEGURANÇA: Indica **PERIGO**, **AVISO** ou **CUIDADO**. Pode ser usado juntamente com outros símbolos ou imagens.



⚠️ AVISO: O funcionamento de qualquer máquina pode dar origem ao ressalto de quaisquer objetos estranhos que podem ser atirados para os olhos, podendo dar origem a lesões oculares sérias. Antes de começar a utilizar a

máquina, utilize sempre óculos de segurança com proteções laterais e uma proteção completa para a cara, quando necessário. Recomendamos a utilização de máscaras de segurança com visão panorâmica por cima dos óculos ou óculos de segurança padrão com proteção lateral.

INSTRUÇÕES DE SEGURANÇA

Esta página retrata e descreve os símbolos de segurança que podem aparecer neste produto. Leia, compreenda e siga todas as instruções na máquina antes de tentar montar e utilizar.

| | | |
|--|----------------------------------------------------------------------------------|----------------------------------------------------------------------------------------------------------------------------------------------------|
| | Alerta de segurança | Indica um potencial perigo de ferimentos. |
| | Leia e compreenda o manual de instruções. | Para reduzir o risco de ferimentos, o utilizador tem de ler e compreender o manual do utilizador antes de utilizar este produto. |
| | Use proteção ocular. | Use sempre óculos de segurança com proteção lateral e, se necessário, uma proteção completa do rosto, quando utilizar este produto. |
| | AVISO: Cuidado com os objetos ressaltados. Mantenha as outras pessoas afastadas. | Alerta o utilizador para ter cuidado com os objetos ressaltados. Mantenha as outras pessoas afastadas. |
| | PERIGO - Mantenha as mãos e os pés afastados. | Alerta os utilizadores para manterem as mãos e pés afastados. |
| | AVISO: Mantenha as mãos e os pés afastados dos dentes. | Alerta o utilizador para manter as mãos e os pés afastados dos dentes. |
| | CE | Este produto encontra-se em conformidade com as diretivas CE aplicáveis. |
| | UKCA | Este produto encontra-se em conformidade com a legislação no Reino Unido. |
| | REEE | Os produtos elétricos residuais não deverão ser eliminados juntamente com o lixo doméstico comum. Entregue-os num centro de reciclagem autorizado. |

| | | |
|-------------------|--------------------------------------|-----------------------------------------------------------------------------------------------------------------------|
| | Ruído | Nível de potência do som garantido. Emissão de ruído para o ambiente de acordo com a diretiva da Comunidade Europeia. |
| V | Volts | Voltagem |
| | Corrente direta (DC) | Tipo ou característica da corrente |
| mm | Milímetro | Comprimento ou tamanho |
| kg | Quilograma | Peso |
| minutos | Minutos | Hora |
| n_0 | Velocidade Sem Carga | Velocidade rotacional sem carga |
| Min^{-1} | Rotações ou reciprocidade por minuto | Rotações, batidas, velocidade da superfície, órbitas, etc., por minuto |
| RPM | Rotações por minuto | Velocidade rotacional |
| °C | Graus Celsius | Temperatura |

AVISO: Para garantir a segurança e bom funcionamento, todas as reparações deverão ser efetuadas por um técnico de reparação qualificado.

AVISOS DE SEGURANÇA GERAIS DA MÁQUINA A BATERIA

AVISO: LEIA TODOS OS AVISOS DE SEGURANÇA, INSTRUÇÕES, ILUSTRAÇÕES E ESPECIFICAÇÕES FORNECIDAS COM ESTA MÁQUINA. Não seguir todas as instruções apresentadas abaixo pode resultar em choque elétrico, incêndio e/ou ferimentos graves.

GUARDE TODOS OS AVISOS E INSTRUÇÕES PARA FUTURAS REFERÊNCIAS.

O termo “máquina” nos avisos diz respeito à sua máquina alimentada pela rede (com fio) ou com bateria (sem fio).

SEGURANÇA NA ÁREA DE TRABALHO

- **Mantenha a área de trabalho limpa e bem iluminada.** Áreas desarrumadas ou escuras são propícias a acidentes.

- **Não utilize máquinas em atmosferas explosivas, tal como na presença de líquidos inflamáveis, gasolina ou pó.** As máquinas produzem faíscas que podem atear o pó ou fumos.
- **Mantenha as crianças e pessoas que passem afastadas enquanto utilizar uma máquina.** As distrações podem fazer com que perca o controle.

SEGURANÇA ELÉTRICA

- **A ficha tem de corresponder à tomada. Nunca modifique uma ficha de forma alguma. Não utilize qualquer adaptador com máquinas com ligação à terra.** Fichas não modificadas e tomadas correspondentes reduzirão o risco de choque elétrico.
- **Evite o contacto do corpo com superfícies ligadas à terra, tais como tubos, radiadores, bases e frigoríficos.** Existe um risco acrescido de choque elétrico se o seu corpo estiver ligado à terra.
- **Não utilize a máquina à chuva ou em condições húmidas.** Isto pode aumentar o risco de choque elétrico.
- **Não force o fio da alimentação. Nunca utilize o fio para transportar, puxar ou desligar a máquina. Mantenha o fio afastado do calor, óleo, arestas afiadas ou peças móveis.** Fios danificados ou presos aumentam o risco de choque elétrico.
- **Quando estiver a trabalhar com uma máquina ao ar livre, utilize uma extensão adequada para a utilização no exterior.** A utilização de um fio adequado ao exterior reduz o risco de choque elétrico.
- **Se for inevitável trabalhar com a máquina num local húmido, use um Interruptor de Circuito de Falha de Ligação à Terra (ICFLT).** A utilização de um ICFLT reduz o risco de choque elétrico.

SEGURANÇA PESSOAL

- **Mantenha-se alerta, observe o que está a fazer e use senso comum quando estiver a trabalhar com uma máquina. Não utilize a máquina enquanto estiver cansado ou sob o efeito de drogas, álcool ou medicação.** Um momento de falta de atenção enquanto utiliza a máquina pode dar origem a ferimentos sérios.
- **Use equipamento de proteção individual. Use sempre proteção ocular.** O equipamento de segurança, tal como máscara respiratória, calçado de segurança antiderrapante, capacete de segurança ou proteção auditiva, utilizado nas condições adequadas, reduzirá a hipótese de ferimentos.
- **Evite ligações sem intenção. Certifique-se de que o interruptor se encontra na posição de desligado**

antes de ligar à alimentação e/ou bateria e antes de pegar ou transportar a máquina. Transportar a máquina com o seu dedo no interruptor ou fornecer energia à máquina que tenha o interruptor na posição de ligado convida a acidentes.

- **Retire qualquer chave de ajuste ou chave de fendas antes de ligar a máquina.** Uma chave de fendas ou uma chave deixada ligada a uma peça rotativa da máquina pode dar origem a ferimentos.
- **Não se estique. Mantenha sempre a base e o equilíbrio adequados.** Isso proporciona um melhor controlo da máquina em situações inesperadas.
- **Vista-se adequadamente. Não use roupa larga nem joalharia. Mantenha o seu cabelo e roupa afastados das peças móveis.** Roupa larga, joias ou cabelo comprido podem ser apanhados pelas peças em movimento.
- **Se forem fornecidos dispositivos para a ligação de extração de pó e facilidades de recolha, certifique-se de que estes estão ligados e de que são devidamente utilizados.** A utilização de dispositivos de extração do pó pode reduzir os perigos relacionados com o pó.
- **Não permita que a familiarização ganhe com a utilização de máquinas o torne mais complacente e ignore os princípios de segurança da máquina.** Uma ação descuidada pode causar graves ferimentos numa fração de segundo.

UTILIZAÇÃO E CUIDADOS COM A MÁQUINA

- **Não force a máquina. Utilize a máquina correta para a sua aplicação.** A máquina correta fará o trabalho melhor e de forma mais segura à taxa para a qual foi concebida.
- **Não utilize a máquina se o interruptor não der para ligar e desligar.** Qualquer máquina que não possa ser controlada com o interruptor é perigosa e deve ser reparada.
- **Desligue a ficha da alimentação e/ou retire a bateria da máquina, se amovível, antes de fazer quaisquer ajustes, mudar de acessórios ou armazenar a máquina.** Tais medidas preventivas de segurança reduzem o risco de ligar a máquina acidentalmente.
- **Guarde a máquina desligada fora do alcance de crianças e não permita que pessoas estranhas à máquina ou a estas instruções trabalhem com a máquina.** As máquinas são perigosas nas mãos de utilizadores sem formação.
- **Proceda à manutenção das máquinas e respetivos acessórios. Verifique se existem desalinhamentos**

ou colagem das peças móveis, quebra de peças e qualquer outra condição que possa afetar o funcionamento da máquina. Se estiver danificada, leve a máquina para ser reparada antes da utilização. Muitos acidentes são causados por máquinas mantidas de forma deficiente.

- **Mantenha as máquinas de corte afiadas e limpas.** Máquinas de corte devidamente mantidas e com arestas de corte afiadas têm uma menor probabilidade de prender e são mais fáceis de controlar.
- **Use a máquina, acessórios e brocas, etc., de acordo com estas instruções, tendo em conta as condições de trabalho e o trabalho a ser efetuado.** A utilização da máquina para operações diferentes das pretendidas pode resultar numa situação perigosa.
- **Mantenha as pegas e superfícies de prensão secas, limpas e sem óleo ou gordura.** Pegas e superfícies de prensão escorregadias não permitem o manuseamento seguro nem o controlo da máquina em situações inesperadas.

UTILIZAÇÃO E CUIDADOS DA MÁQUINA A BATERIA

- **Recarregue apenas com o carregador especificado pelo fabricante.** Um carregador que seja adequado a um tipo de bateria pode criar um risco de incêndio quando usado com outra bateria.
- **Utilize máquinas apenas com as baterias especificamente designadas.** A utilização de outras baterias pode criar um risco de ferimentos e incêndio.
- **Quando não usar a bateria, mantenha-a afastada de outros objetos de metal, como cliques de papel, moedas, chaves, pregos, parafusos ou outros pequenos objetos de metal que possam fazer a ligação entre os dois terminais.** Colocar os terminais da bateria em curto-circuito pode dar origem a queimaduras ou fogo.
- **Sob condições abusivas, pode ser ejetado líquido da bateria; evite o contacto. Se ocorrer um contacto accidental, lave com água abundante.** Se o líquido entrar em contacto com os olhos, procure ajuda médica. O líquido ejetado da bateria pode provocar irritação ou queimaduras.
- **Não use a bateria nem a máquina se estiverem danificadas ou modificadas.** Baterias danificadas ou modificadas podem apresentar comportamentos imprevisíveis, dando origem a fogo, explosão ou risco de ferimentos.
- **Não exponha a bateria ou a máquina ao fogo ou temperatura excessiva.** A exposição ao fogo ou a temperaturas acima dos 130 °C pode causar uma explosão.

- **Siga todas as instruções de carregamento e não carregue a bateria nem a máquina a uma temperatura fora dos parâmetros especificados nas instruções.** Carregar incorretamente ou a temperaturas fora dos parâmetros especificados pode danificar a bateria e aumentar o risco de fogo.

REPARAÇÃO

- **A reparação da sua máquina deverá ser sempre efetuada por pessoas qualificadas, utilizando apenas peças sobresselentes idênticas.** Tal irá assegurar que a segurança da máquina é mantida.
- **Nunca tente reparar uma bateria danificada.** A reparação das baterias só deverá ser efetuada pelo fabricante ou por um reparador autorizado.

AVISOS DE SEGURANÇA DO AREJADOR

- **Não use a máquina com más condições atmosféricas, especialmente quando existir o risco de trovoadas.** Isto diminui o risco de ser atingido por um relâmpago.
- **Inspeccione cuidadosamente a área onde a máquina vai ser usada.** Durante o funcionamento, a máquina pode dar origem a ferimentos em animais.
- **Inspeccione cuidadosamente a área onde vai utilizar a máquina e retire quaisquer pedras, paus, ossos e outros objetos estranhos.** Os objetos atirados podem causar ferimentos.
- **Antes da utilização, inspeccione sempre visualmente se os dentes e o conjunto dos dentes não estão gastos ou danificados.** Peças gastas ou danificadas aumentam o risco de ferimentos.
- **Mantenha as proteções no devido lugar. As proteções têm de estar em bom estado de funcionamento e devidamente montadas.** Uma proteção solta, danificada ou que não funcione corretamente pode dar origem a ferimentos.
- **Mantenha todas as entradas de ar refrigerador limpas.** Entradas de ar bloqueadas podem dar origem a um sobreaquecimento ou risco de fogo.
- **Enquanto usa a máquina, utilize sempre calçado de proteção antiderrapante. Não utilize a máquina descalço ou de sandálias.** Isto reduz a possibilidade de ferimentos nos pés devido ao contacto com os dentes em movimento.
- **Enquanto utiliza a máquina, use sempre calças compridas.** A pele exposta aumenta a probabilidade de ferimentos devido a objetos atirados.
- **Não utilize a máquina em relva molhada. Caminhe, nunca corra.** Isto reduz o risco de escorregar e cair, o que poderia dar origem a ferimentos.

- **Não utilize a máquina em encostas excessivamente inclinadas.** Isto reduz o risco de perda de controlo, escorregar e cair, o que poderia dar origem a ferimentos.
- **Quando trabalhar em encostas, certifique-se de que está sempre estável, trabalhe sempre perpendicularmente em encostas, nunca para cima ou para baixo, e tenha muito cuidado quando mudar de direção.** Isto reduz o risco de perda de controlo, escorregar e cair, o que poderia dar origem a ferimentos.
- **Tenha muito cuidado quando virar ou puxar a máquina na sua direção. Tenha cuidado com o que se encontra em seu redor.** Isto reduz o risco de tropeçar durante o funcionamento.
- **Segure a máquina apenas através das superfícies de prensão isoladas, pois os dentes podem entrar em contacto com fios escondidos.** O contacto dos dentes com um cabo “vivo” fará com que as peças de metal expostas da máquina deem um choque ao operador.
- **Não toque nos dentes nem noutras peças móveis perigosas enquanto elas estiverem em movimento.** Isto reduz o risco de ferimentos devido às peças móveis.
- **Quando libertar materiais obstruídos ou limpar a máquina, certifique-se de que todos os interruptores da alimentação estão desligados e que a bateria é desligada.** O funcionamento inesperado da máquina pode dar origem a ferimentos sérios.

AVISOS ADICIONAIS

- Use apenas com a cabeça motora EGO PH1400E/PH1420E/PHX1600.
NOTA: Consulte o manual do utilizador da sua cabeça motora EGO PH1400E/PH1420E/PHX1600 para regras de segurança mais detalhadas e instruções de funcionamento.

GUARDE ESTAS INSTRUÇÕES

CARACTERÍSTICAS TÉCNICAS

| | |
|--------------------------------------|-------------------|
| Largura máxima de funcionamento | 355 mm |
| Velocidade sem carga (com a PH1420E) | Baixo: 2600 RPM |
| | Elevado: 3000 RPM |
| Ajuste de profundidade | 3 posições |

| | | |
|---------------------------------------------------------------------------------|------------------------------------------|--------------------------------------------------------------|
| Profundidade para arejar | 0 / 10 mm / 20 mm | |
| Temperatura de funcionamento recomendada | 0 °C - 40 °C | |
| Temperatura de armazenamento recomendada | -20 °C - 70 °C | |
| Nível de potência do som medido L_{WA} | 88 dB(A) K=2 dB(A) (PH1400E) | |
| | 88,49 dB(A) K=0,81 dB(A) (PH1420E) | |
| | 90 dB(A) K=0,9 dB(A) (PHX1600) | |
| Nível da pressão do som no ouvido do operador L_{PA} | 82 dB(A) K=3 dB(A) (PH1400E) | |
| | 79,8 dB(A) K=3 dB(A) (PH1420E) | |
| | 82 dB(A) K=3 dB(A) (PHX1600) | |
| Nível de potência acústica garantido L_{WA} (medido de acordo com 2000/14/CE) | 92 dB(A) | |
| Avaliação da vibração a_h | Pega auxiliar dianteira | 2,35 m/s ² K=1,5 m/s ² (PH1400E) |
| | | 2,36 m/s ² K=1,5 m/s ² (PH1420E) |
| | | 2,63 m/s ² K=1,5 m/s ² (PHX1600) |
| | Rear handle | 2,66 m/s ² K=1,5 m/s ² (PH1400E) |
| | | 2,24 m/s ² K=1,5 m/s ² (PH1420E) |
| | | 1,74 m/s ² K=1,5 m/s ² (PHX1600) |
| Peso (com cilindro arejador) | 7,4 kg | |

■ As definições apresentadas anteriormente são testadas e medidas equipadas com a cabeça motora PH1400E/PH1420E/PHX1600.

■ O valor total declarado da vibração foi medido de acordo com um método de teste padrão e pode ser usado para comparar duas ferramentas.

■ O valor total declarado da vibração também pode ser usado numa avaliação preliminar da exposição.

AVISO: A emissão de vibrações durante a utilização da máquina pode diferir do valor declarado em que a máquina é usada. De modo a proteger o utilizador, este deverá usar luvas e proteção auditiva nas condições atuais de utilização.

AVISO: O operador tem de identificar medidas de segurança para proteger o operador, que se baseiam numa estimativa de exposição nas condições reais de utilização (tendo em conta todos os componentes do ciclo de funcionamento como as alturas em que a máquina se encontra desligada ou inativa, para além do tempo de ativação).

DESCRIÇÃO

CONHEÇA O SEU ACESSÓRIO DE AREJADOR (Imagem A)

1. Tampão da extremidade (2)
2. Eixo de fixação
3. Cobertura inferior
4. Roda
5. Conjunto da cobertura superior
6. Alavanca de ajuste de profundidade
7. Proteção defletora
8. Barra raspadora
9. Chave sextavada de 4 mm
10. Chave sextavada de 5 mm
11. Dente da grelha
12. Cilindro arejador

MONTAGEM

AVISO: Se houver peças danificadas ou em falta, não utilize o produto até ter substituído essas peças. Utilizar este produto com peças danificadas ou em falta pode dar origem a ferimentos sérios.

AVISO: Não tente modificar este produto nem criar acessórios que não sejam recomendados para utilizar com o produto. Qualquer alteração ou modificação é

considerada uma má utilização e pode dar origem a perigos, que podem levar a ferimentos sérios.

LIGAR O EIXO DE FIXAÇÃO AO CONJUNTO DO AREJADOR (Imagem B)

| | | | |
|-----|-----------------|-----|--------------------|
| B-1 | Parafuso M5 | B-4 | Orifício |
| B-2 | Parafuso | B-5 | Buraco do Parafuso |
| B-3 | Eixo de fixação | B-6 | Cobertura inferior |

1. Deite o conjunto do arejador virado para baixo numa superfície plana e estável.
2. Retire o tampão da extremidade da extremidade dianteira do eixo de fixação.
3. Com o orifício no eixo de fixação virado para cima, insira o eixo de fixação na cobertura inferior do acessório até ao máximo. Alinhe o orifício do parafuso na cobertura inferior com o orifício no eixo de fixação.
4. Com a chave sextavada de 4 mm fornecida, fixe a cobertura inferior ao eixo de fixação com o parafuso M5.
5. Com a chave sextavada, aperte bem os dois parafusos pré-instalados na cobertura inferior.

⚠ AVISO: Certifique-se de que os três parafusos ficam completamente apertados antes de utilizar o equipamento. Verifique-o periodicamente quanto ao aperto durante a utilização, para evitar ferimentos sérios.

LIGAR O ACESSÓRIO DO AREJADOR À CABEÇA MOTORA

Este acessório do arejador foi criado para ser usado com a cabeça motora EGO PH1400E/PH1420E/PHX1600.

Consulte a secção "INSTALAR UM ACESSÓRIO NA CABEÇA MOTORA" no manual de utilização da cabeça motora PH1400E/PH1420E/PHX1600.

FUNCIONAMENTO

⚠ AVISO: Não permita que a familiarização com este produto o torne descuidado. Lembre-se de que uma fração de segundo de desatenção é o suficiente para sofrer um ferimento sério.

⚠ AVISO: Use sempre proteção ocular. Se não o fizer, pode apanhar com objetos nos olhos, dando origem a possíveis ferimentos graves.

⚠ AVISO: Para evitar ferimentos sérios, retire a bateria do produto antes da reparação, limpeza, mudança de acessórios ou remoção de material do produto.

⚠ AVISO: Não utilize quaisquer acessórios para além dos recomendados pelo fabricante deste produto. A utilização de acessórios que não sejam recomendados pode dar origem a ferimentos sérios.

APLICAÇÕES

Retire cortes antigos e secos, musgo, erva ou restos de raízes dos relvados.

LIGAR/DESLIGAR O AREJADOR

Antes de usar o arejador

⚠ AVISO: Para evitar ferimentos sérios, utilize sempre óculos de segurança quando utilizar este produto. Use uma máscara para o rosto ou máscara do pó em locais poeirentos. Use roupa e calçado adequados durante o funcionamento, para reduzir o risco de ferimentos que possam ser causados por detritos ressaltados.

- Inspeccione bem o produto quanto a danos antes da utilização. Não utilize o produto se este estiver danificado ou apresentar desgaste.
- Certifique-se de que o relvado está livre de pedras, paus, fios ou outros objetos que possam danificar o produto.
- Corte o relvado antes de trabalhar e fertilize-o depois.

Dicas de funcionamento

De modo a que um relvado saudável se possa desenvolver na primavera, é necessário uma maior quantidade de ar penetrar na área em redor das raízes da relva. Recomendamos que efetue o arejamento do relvado, pelo menos, duas vezes por ano, durante a primavera ou outono, dependendo do estado do seu relvado.

- Para sua segurança, não tente cortar a relva em encostas superiores a 15 graus. Corte perpendicularmente em encostas, nunca para cima e para baixo. Tenha muito cuidado quando mudar de direção em encostas.
- Não trabalhe com este produto num relvado molhado, pois a relva molhada tende a colar-se na plataforma e nos dentes, e também pode fazer com que escorregue e caia.
- Segure o produto com ambas as mãos. Mantenha as pegadas secas para garantir um suporte seguro.
- Empurre lentamente o produto para a frente. Mova o produto a uma velocidade adequada. Não o mova demasiado depressa, para evitar que os dentes fiquem presos e causem a sobrecarga do motor.
- Desligue imediatamente o produto se outras pessoas entrarem na área de trabalho. Aguarde sempre que

- o produto fique totalmente imobilizado antes de o colocar no chão.
- Não trabalhe excessivamente. Faça intervalos regulares para se certificar de que se consegue concentrar no trabalho e ter controlo total sobre a máquina.
 - Trabalhe em linhas ligeiramente sobrepostas. O padrão mais eficaz são linhas retas ao longo de um dos lados (Imagem C). Isto mantém as linhas uniformes e assegura que o relvado é arejado sem falhar qualquer parte.
 - Preste especial atenção quando mudar de direção.
 - Certifique-se sempre do local onde coloca os pés. Escorregar e cair pode causar ferimentos sérios. Se sentir que vai perder o equilíbrio, desligue imediatamente o motor.
 - Não trabalhe perto de fossos, valas ou aterros. Pode perder o apoio para os pés ou o equilíbrio.

Ligar/desligar o acessório de arejador

Consulte a secção “**LIGAR/DESLIGAR A CABEÇA MOTORA**” no manual de utilização da cabeça motora PH1400E/PH1420E/PHX1600.

AVISO: Desligue a máquina caso necessite de a inclinar para a transportar quando atravessar superfícies que não sejam relvadas e quando transportar a máquina de/para a área em que vai ser usada.

AVISO: Não incline a máquina quando ligar o motor, exceto se a máquina tiver de ser inclinada para ser ligada. Neste caso, só deve ser inclinada o estritamente necessário e levantar apenas a parte que está afastada do operador.

Verificar se existem bloqueios dos dentes

- Para evitar bloqueios, limpe a parte inferior da máquina antes e após cada utilização, para eliminar quaisquer detritos acumulados.
- Quando acontecer um bloqueio, pare a máquina e retire a bateria. Depois, retire qualquer acumulação de relva e folhas nos dentes e plataforma. Limpe a máquina com um pano ligeiramente embebido em água.

AJUSTAR A PROFUNDIDADE (Imagem D)

AVISO: Mantenha os pés afastados da plataforma quando ajustar a profundidade.

A profundidade de arejamento pode ser definida para 3 posições:

- 1 e 2: Posição de funcionamento
- 3: Posição de transporte

Ajuste a profundidade de acordo com as necessidades do seu relvado.

1. Desligue a máquina e espere que pare por completo.
2. Retire a bateria.
3. Puxe a alavanca de ajuste da profundidade para fora da retenção, e coloque na posição desejada.

| | | | |
|-----|------------------------------------|-----|-------------------------|
| D-1 | Alavanca de ajuste de profundidade | D-2 | Posição de profundidade |
|-----|------------------------------------|-----|-------------------------|

MANUTENÇÃO

AVISO: Antes de inspecionar, limpar ou reparar a máquina, pare o motor, espere que todas as peças móveis parem por completo e retire a bateria. O não seguimento destas instruções pode dar origem a ferimentos sérios ou danos patrimoniais.

AVISO: Use sempre proteções oculares com escudos laterais. Se não o fizer, pode apanhar com objetos nos olhos dando origem a possíveis ferimentos sérios.

AVISO: Quando fizer reparações, utilize apenas peças sobresselentes idênticas. A utilização de outras peças pode dar origem a perigos ou danos no produto. Para assegurar a segurança, todas as reparações para além dos itens listados nestas instruções de manutenção deverão ser efetuadas por um técnico de reparação qualificado.

AVISO: Após bater num objeto estranho, pare a máquina e retire a bateria para se certificar de que todas as peças móveis pararam por completo. Depois, inspecione a máquina quanto a danos e faça as reparações necessárias antes de reiniciar e utilizar a máquina.

AVISO: Se a máquina começar a vibrar anormalmente, pare-a e retire a bateria para se certificar de que todas as peças móveis pararam por completo. Depois, inspecione imediatamente quanto a danos, substitua ou repare quaisquer peças danificadas e verifique e aperte quaisquer peças soltas.

AVISO: Tenha cuidado durante o ajuste do produto, para evitar ficar com os dedos presos entre as peças móveis e as peças fixas do produto.

LIMPEZA

AVISO: Quando limpar o acessório de arejador, NÃO mergulhe em água nem noutros líquidos.

Evite utilizar solventes quando limpar peças de plástico. Grande parte dos plásticos é suscetível a danos devido a vários tipos de solventes comerciais. Use panos limpos para retirar a sujidade, pó, óleo, gordura, etc.

LUBRIFICAÇÃO

Todos os rolamentos deste produto estão lubrificados com uma quantidade suficiente de lubrificante para o tempo de vida da unidade sob condições normais de funcionamento. Assim, não é necessário lubrificá-la.

SUBSTITUIR O CILINDRO

AVISO: Antes de efetuar qualquer manutenção, retire sempre a bateria da máquina e espere que o cilindro de dentes pare por completo. Use luvas de proteção quando manusear os dentes.

Retirar o cilindro

1. Retire a bateria da cabeça motora.
2. Vire o acessório para baixo numa superfície plana e estável.
3. Use a chave sextavada de 5 mm fornecida para desapertar e retirar os dois parafusos de fixação no assento do rolamento do cilindro arejador (Imagem E1).
4. Pressione o cilindro arejador para a esquerda até que o eixo da chaveta na extremidade direita seja puxado para fora do cubo da chaveta da máquina (Imagem E2).
5. Retire o cilindro arejador da máquina. (Imagem E3).

| | | | |
|------|----------------------|------|-------------------|
| E1-1 | Assento do rolamento | E1-2 | Cilindro arejador |
| E2-1 | Eixo | E2-2 | Cubo do eixo |

Instalar o novo cilindro

1. Coloque o assento do rolamento do novo cilindro na base da máquina e pressione ao máximo o cilindro para a esquerda (Imagem F1).
2. Alinhe e insira o eixo da chaveta no lado direito do cilindro no cubo da chaveta da máquina (Imagem F2).
3. Alinhe os dois orifícios no assento do rolamento com os orifícios na base, fixe o assento do rolamento na base com os parafusos de fixação (Imagem F3).

SUBSTITUIR OS DENTES DA GRELHA

Com uma utilização normal, os dentes da grelha podem ficar gastos ou partir com o passar do tempo. Quando o ajustar da profundidade do dente já não lhe fornece a quantidade correta de arejamento ou se um dente se partir, siga os passos apresentados abaixo para substituir os dentes.

Retirar o dente

1. Retire a bateria da cabeça motora.
2. Vire o acessório para baixo numa superfície plana e estável.
3. Pressione as duas cavilhas do dente da grelha para a ranhura 1 no cilindro e puxe o dente da grelha para fora do cilindro arejador, conforme apresentado na Imagem G.

| | | | |
|-----|---------|-----|-----------|
| G-1 | Cavilha | G-2 | Ranhura 1 |
|-----|---------|-----|-----------|

Instalar o dente da grelha (Imagem H)

1. Insira a cavilha do dente da grelha na ranhura 1 no cilindro (passo 1).
2. Insira o assento do dente da grelha na ranhura 2 no cilindro (passo 2).
3. Oriente as duas cavilhas do dente para a ranhura 1, pressione para a frente para a posição na ranhura 3 e as duas cavilhas ressaltam automaticamente para o respetivo lugar (passo 3 e 4).

| | | | |
|-----|-----------|-----|-----------|
| H-1 | Cavilha | H-2 | Ranhura 1 |
| H-3 | Ranhura 2 | H-4 | Ranhura 3 |

TRANSPORTE E ARMAZENAMENTO

- Retire a bateria da cabeça motora.
- Deixe o produto arrefecer sempre antes de o guardar.
- Limpe bem o produto antes de o guardar.
- Guarde o produto num local seco, bem ventilado, trancado ou elevado, fora do alcance das crianças. Não guarde o produto em cima ou perto de fertilizantes, gasolina ou outros químicos.

PROTEJA O AMBIENTE



Não elimine equipamento elétrico, bateria gasta nem carregador juntamente com o lixo doméstico comum! Leve este produto a um centro de reciclagem autorizado para que possa haver uma separação das peças. As máquinas elétricas têm de ser devolvidas em instalações de reciclagem ambientalmente compatíveis.

RESOLUÇÃO DE PROBLEMAS

PT

| PROBLEMA | CAUSA | SOLUÇÃO |
|-----------------------------------------------------------------------------|----------------------------------------------------------------------------------------------------------------------------------------------------------------------------------------------------------------------------------------|-----------------------------------------------------------------------------------------------------------------------------------------------------------------------------------------------------------------------------------------------------|
| O motor não funciona. | <ul style="list-style-type: none">■ A bateria está gasta.■ O botão de desbloqueio ou interruptor do gatilho não foi usado adequadamente.■ A bateria não foi inserida por completo na porta da bateria. | <ul style="list-style-type: none">■ Carregue a bateria.■ Siga a secção “LIGAR/DESLIGAR A CABEÇA MOTORA” no manual da cabeça motora.■ Verifique se a bateria está completamente inserida na porta da bateria. |
| A máquina faz ruídos anormais. | <ul style="list-style-type: none">■ Detritos ou objetos estranhos estão a obstruir os dentes da máquina. | <ul style="list-style-type: none">■ Pare o motor, retire a bateria e elimine os detritos ou objetos estranhos que impedem o funcionamento correto da máquina. |
| A máquina não funciona corretamente ou os resultados não são satisfatórios. | <ul style="list-style-type: none">■ A relva está muito alta. | <ul style="list-style-type: none">■ Corte a relva antes de a arejar. |
| | <ul style="list-style-type: none">■ Existem detritos húmidos colados na parte inferior da plataforma. | <ul style="list-style-type: none">■ Espere que a relva seque antes de a arejar. |
| | <ul style="list-style-type: none">■ A profundidade foi definida de forma errada. | <ul style="list-style-type: none">■ Ajuste a profundidade dos dentes para obter os resultados desejados. |
| | <ul style="list-style-type: none">■ Os dentes estão gastos ou danificados. | <ul style="list-style-type: none">■ Substitua os dentes conforme necessário. |

GARANTIA

POLÍTICA DE GARANTIA EGO

Visite o website egopowerplus.eu para os termos e condições completos da política de garantia da EGO.

LEGGERE TUTTE LE ISTRUZIONI!



LEGGERE IL MANUALE DI ISTRUZIONI.

SIMBOLI DI SICUREZZA

Lo scopo dei simboli di sicurezza è attirare l'attenzione dell'operatore su possibili pericoli. I simboli di sicurezza e le relative spiegazioni richiedono la massima attenzione e comprensione da parte dell'operatore. Le avvertenze espresse dai simboli, da sole, non eliminano tutti i rischi. Le istruzioni e le avvertenze non sostituiscono le adeguate misure di prevenzione contro gli incidenti.

⚠ AVVERTENZA! Accertarsi di aver letto e compreso tutte le istruzioni di sicurezza in questo manuale, inclusi tutti i simboli di avvertenza come "PERICOLO", "AVVERTENZA" e "ATTENZIONE", prima di usare l'apparecchio. Il mancato rispetto delle istruzioni elencate di seguito comporta il rischio di scossa elettrica, incendio e/o lesioni gravi.

SIGNIFICATO DEI SIMBOLI

⚠ SIMBOLO DI AVVERTENZA: indica **PERICOLO**, **AVVERTENZA** o **ATTENZIONE**. Può essere usato in combinazione con altri simboli.



⚠ AVVERTENZA! L'uso di apparecchi elettrici può causare il lancio di oggetti estranei verso l'operatore, con il rischio di gravi lesioni oculari. Prima di usare l'apparecchio, indossare occhiali protettivi o occhiali

di sicurezza con protezioni laterali e, se necessario, una maschera facciale. Si raccomanda di indossare una maschera di sicurezza con ampio campo visivo sopra gli occhiali da vista o occhiali di sicurezza standard con protezioni laterali.

AVVERTENZE DI SICUREZZA

Questa pagina illustra e descrive i simboli di sicurezza che possono essere presenti sul prodotto. Leggere, comprendere e rispettare tutte le istruzioni riportate sul prodotto prima di tentare di assemblarlo e utilizzarlo.

| | | |
|--|---------------------------------------------------------------------------------------------------------|-------------------------------------------------------------------------------------------------------------------------------------------|
| | Avvertenza di sicurezza | Indica un potenziale rischio di infortunio. |
| | Leggere e comprendere il manuale di istruzioni | Per ridurre il rischio di infortuni, l'operatore deve leggere e comprendere tutte le istruzioni prima di usare questo prodotto. |
| | Indossare protezioni per gli occhi. | Durante l'uso del prodotto, indossare sempre occhiali protettivi o occhiali di sicurezza con protezioni laterali e una maschera facciale. |
| | AVVERTENZA! Fare attenzione agli oggetti lanciati dall'apparecchio. Tenere a distanza le altre persone. | Fare attenzione agli oggetti lanciati dall'apparecchio. Tenere a distanza le altre persone. |
| | PERICOLO! Tenere a distanza mani e piedi. | Tenere a distanza mani e piedi. |
| | AVVERTENZA! Tenere mani e piedi a distanza dai rebbi. | Tenere mani e piedi lontani dai rebbi. |
| | CE | Questo prodotto è conforme alle direttive europee applicabili. |
| | UKCA | Questo prodotto è conforme alle direttive britanniche applicabili. |
| | RAEE | Gli apparecchi elettrici non devono essere smaltiti insieme ai rifiuti domestici. Portarli presso un centro di riciclaggio autorizzato. |
| | Rumorosità | Livello di potenza sonora garantito Emissione acustica ambientale ai sensi della direttiva dell'Unione europea |

IT

| | | |
|-----------------------------------------------------------------------------------|----------------------------|----------------------------------------------------------|
| V | Volt | Tensione |
|  | Corrente continua (CC) | Tipo o caratteristica della corrente |
| mm | Millimetro | Lunghezza o dimensioni |
| kg | Chilogrammo | Peso |
| min | Minuti | Tempo |
| n_0 | Velocità a vuoto | Velocità di rotazione, a vuoto |
| min^{-1} | Giri o rotazioni al minuto | Giri, colpi, velocità lineare e orbitale, ecc. al minuto |
| RPM | Giri al minuto | Velocità di rotazione |
| °C | Gradi Celsius | Temperatura |

⚠ AVVERTENZA! Per garantire sicurezza e affidabilità, tutte le operazioni di riparazione e sostituzione devono essere effettuate da un tecnico qualificato.

AVVERTENZE DI SICUREZZA COMUNI A TUTTI GLI APPARECCHI ALIMENTATI A BATTERIA

⚠ AVVERTENZA! CONSULTARE TUTTE LE AVVERTENZE DI SICUREZZA, LE ISTRUZIONI, LE ILLUSTRAZIONI E LE SPECIFICHE FORNITE INSIEME A QUESTO APPARECCHIO. Il mancato rispetto delle istruzioni sotto riportate comporta il rischio di scossa elettrica, incendio e/o gravi infortuni.

CONSERVARE TUTTE LE AVVERTENZE E LE ISTRUZIONI PER FUTURO RIFERIMENTO.

Il termine "apparecchio" utilizzato nelle avvertenze indica un apparecchio alimentato tramite presa di corrente (con cavo) o batteria (senza cavo).

SICUREZZA DELL'AREA DI LAVORO

- **Mantenere l'area di lavoro pulita e ben illuminata.** Il disordine e la scarsa illuminazione favoriscono gli incidenti.
- **Non usare gli apparecchi elettrici in atmosfere esplosive, ad esempio in presenza di liquidi infiammabili, benzina o polveri.** Gli apparecchi elettrici creano scintille che possono incendiare polveri o fumi.
- **Durante l'uso di un apparecchio elettrico, tenere**

a distanza i bambini e le persone presenti. Le distrazioni possono causare la perdita di controllo.

SICUREZZA ELETTRICA

- **Le spine degli apparecchi elettrici devono essere adatte al tipo di presa. Non modificare la spina in alcun modo. Non usare adattatori con gli apparecchi elettrici dotati di messa a terra (collegati a massa).** L'uso di spine originali corrispondenti al tipo di presa riduce il rischio di scossa elettrica.
- **Evitare il contatto del corpo con superfici collegate a terra come tubi, radiatori, fornelli elettrici e frigoriferi.** Il rischio di scossa elettrica aumenta se il proprio corpo è collegato a terra.
- **Non esporre l'apparecchio a pioggia o umidità.** Ciò può aumentare il rischio di scossa elettrica.
- **Non utilizzare il cavo in modo improprio. Non utilizzare il cavo per trasportare, spostare o scollegare l'apparecchio elettrico. Tenere il cavo al riparo da calore, olio, bordi taglienti o parti in movimento.** La presenza di cavi danneggiati o aggrovigliati aumenta il rischio di scossa elettrica.
- **Durante l'uso di un apparecchio elettrico all'aperto, utilizzare una prolunga idonea per ambienti esterni.** L'uso di un cavo idoneo riduce il rischio di scossa elettrica.
- **Se è necessario lavorare in un luogo umido, utilizzare un circuito elettrico dotato di interruttore differenziale (RCD).** L'uso di un interruttore differenziale (RCD) riduce il rischio di scossa elettrica.

SICUREZZA PERSONALE

- **Durante l'uso di un apparecchio elettrico, prestare sempre la massima attenzione e utilizzare il buon senso. Non usare gli apparecchi elettrici se si è stanchi o sotto l'effetto di droghe, alcol o farmaci.** Anche un solo momento di disattenzione durante l'uso di un apparecchio elettrico comporta il rischio di lesioni gravi.
- **Indossare dispositivi di protezione individuale. Indossare protezioni per gli occhi.** I dispositivi di protezione individuale come maschere antipolvere, calzature antiscivolo, caschi e cuffie per le orecchie, se utilizzati quando le circostanze lo richiedono, riducono il rischio di infortuni.
- **Prevenire l'avvio accidentale. Assicurarsi che l'interruttore sia in posizione di spegnimento prima di sollevare, trasportare o collegare l'apparecchio elettrico alla presa di corrente e/o alla batteria.** Per ridurre il rischio di incidenti, non trasportare

l'apparecchio tenendo le dita sull'interruttore e non collegarlo alla presa di corrente se l'interruttore è in posizione di accensione.

- **Rimuovere eventuali chiavi di regolazione o serraggio prima di avviare l'apparecchio elettrico.** Una chiave rimasta inserita in un elemento mobile dell'apparecchio elettrico comporta il rischio di infortuni.
- **Non allungarsi eccessivamente. Mantenere sempre un buon equilibrio evitando posizioni instabili.** Ciò assicura un miglior controllo dell'apparecchio elettrico in situazioni impreviste.
- **Vestirsi in modo adeguato. Non indossare indumenti ampi o gioielli. Tenere capelli e indumenti lontani dalle parti in movimento.** Indumenti ampi, gioielli o capelli lunghi possono rimanere impigliati nelle parti in movimento.
- **Se sono disponibili dei dispositivi per l'estrazione e la raccolta della polvere, assicurarsi che siano collegati e utilizzati correttamente.** L'uso di tali dispositivi può ridurre i rischi derivanti dalla polvere.
- **Non lasciare che la familiarità con gli apparecchi elettrici (derivata da un uso frequente) abbassi il livello di attenzione.** Anche una minima distrazione può causare gravi infortuni.

USO E MANUTENZIONE DEGLI APPARECCHI ELETTRICI

- **Non forzare l'apparecchio elettrico. Usare l'apparecchio elettrico più adatto al lavoro da svolgere.** Gli apparecchi elettrici sono più sicuri ed efficaci se utilizzati alla velocità per la quale sono stati progettati.
- **Non usare l'apparecchio elettrico se l'interruttore non funziona correttamente.** Un apparecchio elettrico che non può essere controllato dall'interruttore è pericoloso e deve essere riparato.
- **Rimuovere il gruppo batteria, se removibile, e/o scollegare l'apparecchio dalla fonte di alimentazione prima di regolarlo, riportarlo o sostituire gli accessori.** Tali misure preventive riducono il rischio di avvio accidentale degli apparecchi elettrici.
- **Riporre gli apparecchi elettrici fuori dalla portata dei bambini e non permetterne l'uso a persone che non hanno familiarità con l'apparecchio o le istruzioni per l'uso.** Gli apparecchi elettrici sono pericolosi se utilizzati da persone non competenti.
- **Sottoporre gli apparecchi elettrici e gli accessori a una regolare manutenzione. Verificare che le**

parti mobili non siano disallineate o inceppate e che non siano presenti danni o altre condizioni che potrebbero pregiudicare il corretto funzionamento dell'apparecchio elettrico. Se l'apparecchio elettrico è danneggiato, farlo riparare prima di usarlo nuovamente. Molti incidenti sono provocati da apparecchi elettrici in cattive condizioni.

- **Mantenere gli accessori di taglio puliti e affilati.** Un'adeguata manutenzione e affilatura degli accessori di taglio riduce il rischio di inceppamento e facilita il controllo dell'apparecchio elettrico.
- **Usare l'apparecchio elettrico, gli accessori, le punte ecc. conformemente a queste istruzioni, tenendo conto delle condizioni dell'area di lavoro e del tipo di lavoro da svolgere.** L'uso dell'apparecchio elettrico per operazioni diverse da quelle per cui è progettato può comportare situazioni di pericolo.
- **Mantenere le impugnature e le superfici di presa asciutte, pulite e prive di olio o grasso.** Impugnature e superfici di presa scivolose non garantiscono l'uso sicuro e il controllo dell'apparecchio elettrico in situazioni impreviste.

USO E MANUTENZIONE DELLA BATTERIA

- **Ricaricare la batteria esclusivamente con il caricabatteria specificato dal costruttore.** Un caricabatteria adatto a un certo tipo di gruppo batteria comporta il rischio di incendio se utilizzato con gruppi batteria di tipo diverso.
- **Usare esclusivamente gruppi batteria progettati specificamente per questo apparecchio elettrico.** L'uso di altri gruppi batteria comporta il rischio di incendio e lesioni.
- **Quando il gruppo batteria non è in uso, tenerlo lontano da piccoli oggetti metallici come graffette, monete, chiavi, chiodi, viti ecc. perché possono creare un collegamento tra i due terminali.** Il cortocircuito dei terminali della batteria comporta il rischio di incendio o ustioni.
- **L'uso improprio può causare fuoriuscite di liquido dalla batteria: evitare il contatto con tale liquido. In caso di contatto accidentale, lavare l'area interessata con acqua.** Se il liquido entra a contatto con gli occhi, consultare un medico. Il liquido fuoriuscito dalla batteria può causare irritazioni o ustioni.
- **Non usare gruppi batteria o apparecchi elettrici danneggiati o modificati.** Le batterie danneggiate o modificate possono manifestare comportamenti imprevisti, con il rischio di incendio, esplosione o infortunio.

- **Non esporre il gruppo batteria o l'apparecchio elettrico a fiamme o temperature eccessive.** L'esposizione a fiamme o temperature superiori a 130°C comporta il rischio di esplosione.
- **Rispettare tutte le istruzioni relative alla ricarica e non ricaricare il gruppo batteria o l'apparecchio elettrico a temperature diverse da quelle specificate nelle istruzioni.** Una ricarica eseguita in modo improprio o a temperature diverse da quelle specificate può danneggiare la batteria e aumentare il rischio di incendio.

RIPARAZIONI

- **Affidare la riparazione dell'apparecchio elettrico a personale qualificato e usare esclusivamente parti di ricambio identiche.** Ciò garantisce la sicurezza dell'apparecchio elettrico.
- **Non riparare gruppi batteria danneggiati.** La riparazione dei gruppi batteria deve essere effettuata esclusivamente dal costruttore o da un centro di assistenza autorizzato.

AVVERTENZE DI SICUREZZA SPECIFICHE PER ARIEGGIATORI

- **Non usare l'apparecchio in condizioni climatiche avverse, in particolare se sussiste il rischio di fulmini.** Ciò riduce il rischio di essere colpiti da un fulmine.
- **Assicurarsi che non siano presenti animali selvatici nell'area di lavoro.** L'apparecchio potrebbe ferirli.
- **Ispezionare accuratamente l'area di lavoro e rimuovere pietre, rami, cavi, ossi e altri oggetti analoghi.** Se lanciati, tali materiali possono causare lesioni gravi.
- **Prima dell'uso, ispezionare visivamente l'apparecchio per verificare che i rebbi e il gruppo rebbi non siano usurati o danneggiati.** Componenti usurati o danneggiati aumentano il rischio di scossa elettrica.
- **Mantenere i dispositivi di protezione installati. I dispositivi di protezione devono essere funzionanti e installati correttamente.** Dispositivi di protezione allentati, danneggiati o non funzionanti comportano il rischio di lesioni.
- **Tenere sempre pulite le aperture di ingresso dell'aria eliminando eventuali ostruzioni.** Aperture di ingresso dell'aria ostruite e detriti comportano il rischio di surriscaldamento o incendio.
- **Durante l'uso dell'apparecchio, indossare sempre calzature di protezione antiscivolo. Non usare l'apparecchio a piedi nudi o indossando sandali.**

Ciò riduce il rischio di lesioni ai piedi causate dal contatto con i rebbi in movimento.

- **Durante l'uso dell'apparecchio, indossare pantaloni lunghi.** La pelle esposta aumenta il rischio di lesioni causate dai detriti proiettati dal tagliaerba.
- **Non usare l'apparecchio sull'erba bagnata. Camminare e non correre.** Ciò riduce il rischio di scivolamenti, cadute e lesioni personali.
- **Non usare l'apparecchio su terreni eccessivamente in pendenza.** Ciò riduce il rischio di perdita di controllo, scivolamenti, cadute e lesioni personali.
- **Durante l'uso su terreni in pendenza, mantenere sempre il contatto dei piedi con il terreno, lavorare sempre perpendicolarmente alla discesa, mai verso l'alto o verso il basso, e prestare particolare attenzione quando si cambia direzione.** Ciò riduce il rischio di perdita di controllo, scivolamenti, cadute e lesioni personali.
- **Prestare particolare attenzione quando si inverte la direzione dell'apparecchio o lo si tira verso di sé. Prestare sempre attenzione all'ambiente circostante.** Ciò riduce il rischio di inciampamento durante l'uso.
- **Tenere l'apparecchio esclusivamente tramite le superfici di presa isolate, perché i rebbi potrebbero entrare a contatto con cavi elettrici nascosti.** Se i rebbi toccano un cavo elettrificato possono trasmettere la corrente alle parti metalliche dell'apparecchio, esponendo l'operatore al rischio di scossa elettrica.
- **Non toccare i rebbi o altre parti mobili pericolose quando sono in movimento.** Ciò riduce il rischio di lesioni causate dal contatto con le parti in movimento.
- **Prima di rimuovere il materiale incastrato o pulire l'apparecchio, assicurarsi che tutti gli interruttori siano in posizione di spegnimento e che il gruppo batteria sia stato scollegato.** L'avvio imprevisto dell'apparecchio comporta il rischio di lesioni gravi.

AVVERTENZE AGGIUNTIVE

- Usare l'apparecchio esclusivamente con l'unità motore EGO PH1400E/PH1420E/PHX1600.
NOTA: consultare il manuale di istruzioni dell'unità motore EGO PH1400E/PH1420E/PHX1600 per le avvertenze di sicurezza e le istruzioni per l'uso.

CONSERVARE QUESTE ISTRUZIONI.

SPECIFICHE TECNICHE

| | |
|------------------------------------------------------------------------------------|------------------------------------------|
| Ampiezza di arieggiatura massima | 355 mm |
| Velocità a vuoto (con PH1420E) | Bassa: 2600 RPM |
| | Alta: 3000 RPM |
| Regolazione della profondità | 3 livelli |
| Profondità di arieggiatura | 0 / 10 mm / 20 mm |
| Temperatura di funzionamento raccomandata | Da 0°C a 40°C |
| Temperatura di conservazione raccomandata | Da -20°C a 70°C |
| Livello di potenza sonora misurato L_{WA} | 88 dB(A) K=2 dB(A) (PH1400E) |
| | 88,49 dB(A) K=0,81 dB(A) (PH1420E) |
| | 90 dB(A) K=0,9 dB(A) (PHX1600) |
| Livello di pressione sonora a livello dell'orecchio dell'operatore L_{PA} | 82 dB(A) K=3 dB(A) (PH1400E) |
| | 79,8 dB(A) K=3 dB(A) (PH1420E) |
| | 82 dB(A) K=3 dB(A) (PHX1600) |
| Livello di potenza sonora garantito L_{WA} (misurato conformemente a 2000/14/EC) | 92 dB(A) |

| | | |
|--------------------------------------------|----------------------------------|--------------------------------------------------------------|
| Valore di emissione delle vibrazioni a_n | Impugnatura ausiliaria anteriore | 2,35 m/s ² K=1,5 m/s ² (PH1400E) |
| | | 2,36 m/s ² K=1,5 m/s ² (PH1420E) |
| | | 2,63 m/s ² K=1,5 m/s ² (PHX1600) |
| | Rear handle | 2,66 m/s ² K=1,5 m/s ² (PH1400E) |
| | | 2,24 m/s ² K=1,5 m/s ² (PH1420E) |
| | | 1,74 m/s ² K=1,5 m/s ² (PHX1600) |
| Peso (con cilindro arieggiatore) | 7,4 kg | |

IT

- I parametri sopra riportati sono stati collaudati e misurati in combinazione con l'unità motore PH1400E/PH1420E/PHX1600.
- Il valore totale di emissione delle vibrazioni dichiarato è stato misurato con un metodo di valutazione standard e può essere utilizzato per confrontare l'apparecchio con altri prodotti analoghi.
- Il valore totale di emissione delle vibrazioni dichiarato può essere utilizzato anche per una valutazione preliminare dei livelli di esposizione.

⚠ AVVERTENZA! Il valore di emissione delle vibrazioni durante l'uso effettivo dell'apparecchio può variare rispetto al valore totale dichiarato in base alla modalità di utilizzo dell'apparecchio. Per proteggersi, l'operatore deve indossare guanti e dispositivi di protezione per le orecchie in base alle condizioni di utilizzo effettive.

⚠ AVVERTENZA! Adottare adeguate misure di sicurezza per proteggere l'operatore in base alla stima dell'esposizione nelle condizioni di utilizzo effettive (tenendo in considerazione tutte le fasi del ciclo di utilizzo: tempo di arresto, di funzionamento a vuoto e di avvio).

DESCRIZIONE

DESCRIZIONE DELL'ACCESSORIO ARIEGGIATORE (Fig. A)

1. Cappuccio terminale (2)
2. Asta dell'accessorio

3. Copertura inferiore
4. Ruota
5. Gruppo copertura superiore
6. Leva di regolazione della profondità
7. Deflettore
8. Raschietto a barra
9. Chiave esagonale da 4 mm
10. Chiave esagonale da 5 mm
11. Rebbio
12. Cilindro di arieggiatura

IT

ASSEMBLAGGIO

AVVERTENZA! In caso di componenti danneggiati o mancanti, non usare il prodotto finché i componenti non vengono sostituiti. L'uso dell'apparecchio con componenti danneggiati o mancanti comporta il rischio di lesioni gravi.

AVVERTENZA! Non tentare di modificare l'apparecchio o usare accessori non raccomandati per l'uso con questo apparecchio. Tali alterazioni o modifiche costituiscono un uso improprio e comportano condizioni pericolose e il rischio di lesioni gravi.

COLLEGAMENTO DELL'ASTA DELL'ACCESSORIO AL GRUPPO ARIEGGIATORE (Fig. B)

| | | | |
|-----|----------------------|-----|---------------------|
| B-1 | Bullone M5 | B-4 | Foro |
| B-2 | Bullone | B-5 | Foro per vite |
| B-3 | Asta dell'accessorio | B-6 | Copertura inferiore |

1. Posizionare l'arieggiatore capovolto su una superficie piana e stabile.
2. Rimuovere il cappuccio terminale dall'estremità anteriore dell'asta.
3. Con il foro sull'asta rivolto verso l'alto, inserire l'asta nella copertura inferiore dell'accessorio finché non si blocca. Allineare il foro della vite sulla copertura inferiore con il foro sull'asta.
4. Usando la chiave esagonale da 4 mm fornita, fissare la copertura inferiore all'asta con il bullone M5.
5. Usando la chiave esagonale, serrare saldamente i due bulloni pre-installati sulla copertura inferiore.

AVVERTENZA! Accertarsi che i tre bulloni siano completamente serrati prima di usare l'apparecchio; durante l'uso, controllarli periodicamente per evitare il rischio di lesioni gravi.

COLLEGAMENTO DELL'ACCESSORIO ARIEGGIATORE ALL'UNITÀ MOTORE

Questo accessorio arieggiatore è progettato per l'uso con l'unità motore EGO PH1400E/PH1420E/PHX1600.

Consultare la sezione "INSTALLAZIONE DI UN ACCESSORIO SULL'UNITÀ MOTORE" nel manuale di istruzioni dell'unità motore PH1400E/PH1420E/PHX1600.

UTILIZZO

AVVERTENZA! La familiarità con questo prodotto non deve rendere l'operatore disattento. Anche un solo momento di disattenzione comporta il rischio di lesioni gravi.

AVVERTENZA! Indossare protezioni per gli occhi, per evitare il rischio di lesioni causate da oggetti proiettati verso gli occhi dell'operatore.

AVVERTENZA! Per evitare il rischio di lesioni gravi, rimuovere il gruppo batteria dal prodotto prima pulirlo, ripararlo, sostituire gli accessori o rimuovere del materiale incastrato.

AVVERTENZA! Non usare accessori non raccomandati dal costruttore del prodotto. L'uso di accessori non raccomandati comporta il rischio di lesioni gravi.

APPLICAZIONI

Rimuovere muschio o residui di radici o di erba dal prato.

AVVIO/ARRESTO DELL'ARIEGGIATORE

Operazioni preliminari

AVVERTENZA! Per evitare il rischio di lesioni gravi, indossare sempre occhiali di protezione o di sicurezza durante l'uso del prodotto. Indossare una maschera facciale o antipolvere in ambienti polverosi. Indossare indumenti e calzature adeguati durante l'uso per evitare il rischio di lesioni causate da detriti lanciati dal prodotto.

- Prima dell'uso, ispezionare accuratamente il prodotto per assicurarsi che non sia danneggiato. Non usarlo se è danneggiato o presenta segni di usura.
- Assicurarsi che il prato sia privo di pietre, rami, cavi o altri oggetti che potrebbero danneggiare il prodotto.
- Tagliare l'erba del prato prima di arieggiarlo e fertilizzarlo dopo l'operazione.

Suggerimenti per l'uso

Per assicurare una crescita sana del prato in primavera, è necessario che una grande quantità di aria penetri nell'area intorno alle radici dell'erba. Si raccomanda di arieggiare il prato almeno due volte all'anno, in primavera o in autunno a seconda delle sue condizioni.

- Per motivi di sicurezza, non usare l'arieggiatore su terreni con pendenza superiore a 15 gradi. Sui terreni in pendenza, lavorare sempre perpendicolarmente alla discesa, mai verso l'alto o verso il basso. Prestare particolare attenzione quando si cambia direzione sui terreni in pendenza.
- Non usare il prodotto sul prato bagnato, perché l'erba bagnata tende ad aderire al parte inferiore e ai rebbi e aumenta il rischio di scivolamenti e cadute.
- Impugnare il prodotto con entrambe le mani. Mantenere le impugnature asciutte per una presa sicura.
- Spingere il prodotto in avanti a bassa velocità. Spingere il prodotto in avanti a una velocità appropriata. Non spingerlo troppo velocemente per evitare che i rebbi si inceppino, causando il sovraccarico del motore.
- Arrestare immediatamente il prodotto se altre persone entrano nell'area di lavoro. Attendere sempre che il prodotto si arresti completamente prima di appoggiarlo.
- Non affaticarsi. Effettuare pause regolari per essere sicuri di concentrarsi sul lavoro e mantenere il pieno controllo dell'apparecchio.
- Lavorare il prato seguendo linee leggermente sovrapposte. Per risultati ottimali, seguire linee rette lungo uno dei lati (Fig. C). In questo modo le linee saranno uniformi e il prato verrà arieggiato nella sua interezza.
- Prestare particolare attenzione quando si cambia direzione.
- Puntare bene i piedi sui terreni in pendenza. Scivolamenti e cadute possono causare lesioni gravi. Se si percepisce una perdita di equilibrio, spegnere immediatamente il motore.
- Non lavorare in prossimità di discese ripide, fossi o argini per evitare di perdere l'equilibrio e cadere.

Avvio/arresto dell'accessorio arieggiatore

Consultare la sezione "AVVIO/ARRESTO DELL'UNITÀ MOTORE" nel manuale di istruzioni dell'unità motore PH1400E/PH1420E /PHX1600.

⚠ AVVERTENZA! Arrestare l'apparecchio se è necessario inclinarlo per trasportarlo su superfici diverse dall'erba e durante il trasporto verso o dall'area di lavoro.

⚠ AVVERTENZA! Non inclinare l'apparecchio durante l'avvio del motore, se non espressamente indicato. In tal caso, non inclinarlo più dello stretto necessario e sollevare solo la parte distante dall'operatore.

Verificare che i rebbi non siano inceppati.

- Per evitare che i rebbi possano incepparsi, pulire la parte inferiore dell'apparecchio prima e dopo ogni utilizzo per rimuovere eventuali accumuli di detriti.
- In caso di inceppamento, arrestare il l'apparecchio e rimuovere il gruppo batteria, quindi rimuovere eventuali accumuli di erba e foglie sopra o intorno ai rebbi e alla parte inferiore dell'apparecchio. Pulire l'apparecchio con un panno umido.

REGOLAZIONE DELLA PROFONDITÀ (Fig. D)

⚠ AVVERTENZA! Tenere i piedi distanti dalla parte inferiore dell'apparecchio durante la regolazione della profondità.

La profondità di arieggiatura può essere regolata su 3 livelli:

1 e 2: posizioni operative

3: posizione di trasporto

Regolare la profondità in base alle condizioni del prato.

1. Arrestare l'apparecchio e attendere che il cilindro con rebbi si fermi completamente.
2. Rimuovere il gruppo batteria.
3. Tirare la leva di regolazione della profondità per estrarla dalla tacca e portarla nella posizione desiderata.

| | | | |
|-----|--------------------------------------|-----|-----------------------|
| D-1 | Leva di regolazione della profondità | D-2 | Livello di profondità |
|-----|--------------------------------------|-----|-----------------------|

MANUTENZIONE

⚠ AVVERTENZA! Prima di ispezionare, pulire o regolare l'apparecchio, arrestare il motore, attendere che tutte le parti mobili si arrestino e rimuovere il gruppo batteria. Il mancato rispetto di questa avvertenza comporta il rischio di danni o lesioni gravi.

⚠ AVVERTENZA! Indossare sempre occhiali di sicurezza con protezioni laterali. per evitare il rischio di oggetti proiettati verso gli occhi dell'operatore e altre lesioni gravi.

⚠ AVVERTENZA! Per le riparazioni, usare esclusivamente parti di ricambio identiche. L'uso di altri ricambi comporta situazioni pericolose o il rischio di danni al prodotto. Per garantire sicurezza e affidabilità, tutte le operazioni diverse da quelle elencate di seguito devono essere eseguite da un tecnico qualificato.

⚠ AVVERTENZA! Dopo aver urtato un oggetto estraneo, arrestare l'apparecchio, rimuovere il gruppo batteria e assicurarsi che le parti mobili siano

completamente ferme. Quindi ispezionare e riparare l'apparecchio prima di usarlo nuovamente.

⚠ AVVERTENZA! Se l'apparecchio inizia a vibrare in modo anomalo, arrestarlo, rimuovendo il gruppo batteria e assicurarsi che le parti mobili siano completamente ferme. Ispezionarlo immediatamente e sostituire o riparare eventuali parti danneggiate e serrare eventuali parti allentate.

⚠ AVVERTENZA! Prestare attenzione durante le operazioni di regolazione per evitare che le dita rimangano intrappolate tra le lame mobili e le parti fisse del prodotto.

PULIZIA

⚠ AVVERTENZA! Durante la pulizia dell'accessorio arieggiatore, NON immergerlo in acqua o altri liquidi.

Non usare solventi per pulire le parti in plastica. I solventi disponibili in commercio possono danneggiare la maggior parte dei componenti in plastica. Usare un panno pulito per rimuovere sporczia, polvere, olio, grasso, ecc.

LUBRIFICAZIONE

Tutti i cuscinetti di questo prodotto sono lubrificati a vita, in condizioni d'uso normale. Non sono quindi necessarie ulteriori lubrificazioni.

SOSTITUZIONE DEL CILINDRO

⚠ AVVERTENZA! Prima di effettuare qualsiasi operazione di manutenzione, rimuovere il gruppo batteria dall'apparecchio e attendere che il cilindro con rebbi si arresti completamente. Indossare guanti di protezione durante la manipolazione dei rebbi.

Rimozione del cilindro

1. Rimuovere il gruppo batteria dall'unità motore.
2. Capovolgere l'accessorio su una superficie piana e stabile.
3. Con la chiave esagonale da 5 mm inclusa, allentare e rimuovere i due bulloni di bloccaggio dalla sede del cuscinetto sul cilindro (Fig. E1).
4. Spingere il cilindro verso sinistra finché l'albero scanalato a destra non fuoriesce dal mozzo scanalato (Fig. E2).
5. Rimuovere il cilindro dall'apparecchio (Fig. E3).

| | | | |
|------|---------------------|------|--------------------------|
| E1-1 | Sede del cuscinetto | E1-2 | Cilindro di arieggiatura |
| E2-1 | Albero scanalato | E2-2 | Mozzo scanalato |

Installazione del cilindro

1. Posizionare la sede del cuscinetto del nuovo cilindro sulla base dell'apparecchio, quindi spingere il cilindro verso sinistra finché non si blocca (Fig. F1).
2. Allineare e inserire l'albero scanalato sul lato destro del cilindro nel mozzo scanalato dell'apparecchio (Fig. F2).
3. Allineare i due fori sulla sede del cuscinetto con i fori sulla base, quindi fissare la sede del cuscinetto alla base con i due bulloni di bloccaggio (Fig. F3).

SOSTITUZIONE DEI REBBI

Durante l'uso normale, i rebbi possono usurarsi o rompersi col tempo. Se la regolazione dei rebbi non permette di ottenere l'arieggiatura desiderata, o se un rebbio si rompe, procedere come descritto di seguito per sostituire i rebbi.

Rimozione del rebbio

1. Rimuovere il gruppo batteria dall'unità motore.
2. Capovolgere l'accessorio su una superficie piana e stabile.
3. Spingere i due perni del rebbio nella fessura 1 sul cilindro, quindi estrarre il rebbio dal cilindro come illustrato in Fig. G.

| | | | |
|-----|-------|-----|-----------|
| G-1 | Perno | G-2 | Fessura 1 |
|-----|-------|-----|-----------|

Installazione del rebbio (Fig. H)

1. Inserire il perno del rebbio nella fessura 1 sul cilindro (passaggio 1).
2. Inserire la sede del rebbio nella fessura 2 sul cilindro (passaggio 2).
3. Guidare i due perni del rebbio nella fessura 1 e spingerli verso la posizione della fessura 3; i due perni si incasteranno automaticamente in posizione (passaggi 3 e 4).

| | | | |
|-----|-----------|-----|-----------|
| H-1 | Perno | H-2 | Fessura 1 |
| H-3 | Fessura 2 | H-4 | Fessura 3 |

TRASPORTO E CONSERVAZIONE

- Rimuovere il gruppo batteria dall'unità motore.
- Attendere che il prodotto si raffreddi prima di riporlo.
- Pulire accuratamente il prodotto prima di riporlo.
- Conservare il prodotto in un luogo asciutto, ben ventilato, elevato o chiuso a chiave, e fuori dalla portata dei bambini. Non conservare il prodotto sopra o in prossimità di fertilizzanti, benzina o altre sostanze chimiche.

PROTEZIONE DELL'AMBIENTE



Non smaltire gli apparecchi elettrici, i caricabatteria e le batterie insieme ai rifiuti domestici. Portare il prodotto presso un centro di riciclaggio autorizzato affinché venga raccolto separatamente. Gli apparecchi elettrici devono essere portati presso un centro di riciclaggio ecocompatibile.

IT

RISOLUZIONE DEI PROBLEMI**IT**

| PROBLEMA | CAUSA | SOLUZIONE |
|--------------------------------------------------------------------------------|------------------------------------------------------------------------------------------------------------------------------------------------------------------------------------------------------------------------------------------------------------|-----------------------------------------------------------------------------------------------------------------------------------------------------------------------------------------------------------------------------------------------------------------------------------------------------|
| Il motore non si avvia. | <ul style="list-style-type: none">■ Il gruppo batteria è scarico.■ Il pulsante di sbloccaggio o l'interruttore non sono stati premuti correttamente.■ Il gruppo batteria non è installato correttamente nel vano batteria. | <ul style="list-style-type: none">■ Ricaricare il gruppo batteria.■ Consultare la sezione "AVVIO/ARRESTO DELL'UNITÀ MOTORE" nel manuale di istruzioni dell'unità motore.■ Assicurarsi che il gruppo batteria sia installato correttamente nel vano batteria. |
| L'apparecchio emette rumori anomali. | <ul style="list-style-type: none">■ Detriti o oggetti estranei bloccano i rebbi. | <ul style="list-style-type: none">■ Arrestare il motore, rimuovere il gruppo batteria e rimuovere i detriti o oggetti estranei che impediscono il corretto funzionamento dell'apparecchio. |
| L'apparecchio non funziona correttamente o i risultati non sono soddisfacenti. | <ul style="list-style-type: none">■ L'erba è troppo alta. | <ul style="list-style-type: none">■ Tosare il prato prima di usare l'arieggiatore. |
| | <ul style="list-style-type: none">■ Sulla parte inferiore dell'apparecchio sono presenti residui bagnati. | <ul style="list-style-type: none">■ Attendere che il prato si asciughi prima di arieggiarlo. |
| | <ul style="list-style-type: none">■ La profondità non è regolata correttamente. | <ul style="list-style-type: none">■ Regolare la profondità dei rebbi per ottenere il risultato desiderato. |
| | <ul style="list-style-type: none">■ I rebbi sono usurati o danneggiati. | <ul style="list-style-type: none">■ Se necessario, sostituire i rebbi. |

GARANZIA**CONDIZIONI DELLA GARANZIA EGO**

Visitare il sito web egopowerplus.eu per consultare le condizioni complete della garanzia EGO.

LEES ALLE INSTRUCTIES!



LEES DE GEBRUIKSAANWIJZING

VEILIGHEIDSSYMBOLLEN

Het doel van de veiligheidssymbolen is om u te wijzen op mogelijke gevaren. Besteed daarom voldoende aandacht hieraan en begrijp de veiligheidssymbolen en bijbehorende uitleg. De symboolwaarschuwingen op zich elimineren geen enkel gevaar. De verstrekte instructies en waarschuwingen gelden niet als vervanging voor gepaste voorzorgsmaatregelen tegen ongevallen.

⚠ WAARSCHUWING: Lees en begrijp alle veiligheidsinstructies die in deze gebruiksaanwijzing staan vermeld, waaronder alle veiligheidssymbolen zoals “GEVAAR”, “WAARSCHUWING” en “OPGELET” voordat u deze machine in gebruik neemt. Het negeren van onderstaande instructies kan leiden tot een elektrische schok, brand en/of ernstig persoonlijk letsel.

BETEKENIS VAN DE SYMBOLEN

⚠ VEILIGHEIDS-WAARSCHUWINGSSYMBOL:

Geeft **GEVAAR**, **WAARSCHUWING** OF **OPGELET** aan. Kan worden gebruikt in combinatie met andere symbolen of pictogrammen.



⚠ WAARSCHUWING: Het gebruiken van een machine kan leiden tot het rondslingeren van (vreemde) objecten die in uw ogen kunnen terechtkomen, wat ernstig oogletsel tot gevolg kan hebben. Wanneer u de machine

gebruikt, zorg er dan voor dat u altijd een veiligheidsbril (met zijschermen) of een gelaatsscherm draagt. We bevelen aan om een gelaatsscherm over uw bril of een standaard veiligheidsbril met zijschermen te gebruiken.

VEILIGHEIDSINSTRUCTIES

Deze pagina toont en beschrijft alle veiligheidssymbolen die zich op dit product kunnen bevinden. Lees, begrijp en volg alle instructies op de machine voordat u deze in elkaar zet en gebruikt.

| | | |
|--|-----------------------------------------------------------------------------------------|-------------------------------------------------------------------------------------------------------------------------------------|
| | Veiligheids-waarschuwing | Geeft een risico op persoonlijk letsel aan. |
| | Lees en begrijp de gebruiksaanwijzing | De gebruiker dient de gebruiksaanwijzing voor het gebruik van dit product te lezen en te begrijpen om risico op letsel te beperken. |
| | Draag oogbescherming | Draag altijd een veiligheidsbril (met zijschermen) en een gelaatsscherm als u dit product gebruikt. |
| | WAARSCHUWING – Pas op voor weggeslingerde voorwerpen - houd omstanders uit de buurt. | Waarschuwt de gebruiker voor weggeslingerde voorwerpen en houd omstanders op afstand. |
| | WAARSCHUWING – Houd handen en voeten uit de buurt | Waarschuwt gebruikers om handen en voeten uit de buurt te houden. |
| | WAARSCHUWING – Houd handen en voeten uit de buurt van de tanden | Waarschuwt de gebruiker om handen en voeten uit de buurt van de tanden te houden. |
| | CE | Dit product is in overeenstemming met de EG-richtlijnen. |
| | UKCA | Dit product is in overeenstemming met de toepasselijke richtlijnen van het VK. |
| | AEEA | Gooi elektrisch afval niet via het huishoudelijk afval weg. Breng het naar een geautoriseerd recyclingbedrijf. |

NL

| | | |
|-------------------|---------------------------------|----------------------------------------------------------------------------------------------------------------------------------|
| | Geluid | Gewaarborgd geluidsvermogensniveau. Geluidsemmissie voor de omgeving in overeenstemming met de richtlijnen van de Europese Unie. |
| V | Volt | Spanning |
| | Gelijkstroom (DC) | Stroomtype of -karakteristiek |
| mm | Millimeter | Lengte of afmeting |
| kg | Kilogram | Gewicht |
| min | Minuten | Tijd |
| n ₀ | Snelheid zonder belasting | Draaisnelheid, zonder belasting |
| Min ⁻¹ | Toeren of bewegingen per minuut | Omwentelingen, slagen, oppervlaktesnelheid, banen, etc. per minuut |
| RPM | Toeren per minuut | Draaisnelheid |
| °C | Graden Celsius | Temperatuur |

⚠ WAARSCHUWING: Laat alle reparaties uitvoeren door een vakbekwame reparateur om een continue veiligheid en betrouwbaarheid te waarborgen.

ALGEMENE VEILIGHEIDSWAARSCHUWINGEN VOOR APPARATEN OP BATTERIJEN

⚠ WAARSCHUWING: LEES ALLE VEILIGHEIDSWAARSCHUWINGEN, INSTRUCTIES, ILLUSTRATIES EN SPECIFICATIES DIE BIJ DEZE MACHINE ZIJN GELEVERD. Het niet opvolgen van alle onderstaande instructies kan leiden tot elektrische schokken en/of ernstig letsel.

BEWAAR ALLE WAARSCHUWINGEN EN INSTRUCTIES VOOR TOEKOMSTIG GEBRUIK.

De term "gereedschap" in de waarschuwingen verwijst naar uw op het voedingsnet aangedreven (met snoer) gereedschap of accu-aangedreven (snoerloos) gereedschap.

VEILIGHEID OP DE WERKPLAATS

- **Houd uw werkplaats schoon en goed verlicht.** Rommelige of donkere gebieden nodigen uit tot ongelukken.
- **Gebruik de machine niet in een explosieve omgeving, zoals in de aanwezigheid van ontvlambare vloeistoffen, gasen of stof.** De machine veroorzaakt vonken en deze kan stof of dampen ontsteken.
- **Houd kinderen en omstanders uit de buurt wanneer u een machine bedient.** Aflleiding kan tot controleverlies leiden.

ELEKTRISCHE VEILIGHEID

- **De stekker van de machine moet in het stopcontact passen. Pas de stekker op geen enkele manier aan. Gebruik geen adapterstekker met gearde machines.** Niet aangepaste stekkers en overeenkomstige stopcontacten beperken het risico op elektrische schokken.
- **Vermijd lichamelijk contact met gearde oppervlakken, zoals pijpleidingen, radiatoren, fornuizen of koelkasten.** Het risico op een elektrische schok is groter als uw lichaam geard is.
- **Gebruik het gereedschap niet in regen of natte omstandigheden.** Dit kan het risico op een elektrische schok verhogen.
- **Gebruik de kabel niet op een verkeerde manier. Gebruik de kabel nooit om de machine te dragen of mee te trekken of om de stekker uit het stopcontact te halen. Houd de kabel uit de buurt van hitte, olie, scherpe randen of bewegende onderdelen.** Beschadigde of verstrikte kabels vergroten het risico op een elektrische schok.
- **Wanneer u een machine buitenshuis bedient, gebruik dan een verlengkabel die geschikt is voor gebruik buitenshuis.** Het gebruik van een kabel die voor gebruik buitenshuis geschikt is, verkleint het risico op een elektrische schok.
- **Als het gebruik van een gereedschap in een vochtige omgeving onvermijdbaar is, gebruik dan een aardlekschakelaar (ALS).** Het gebruik van een ALS verkleint het risico op een elektrische schok.

PERSOONLIJKE VEILIGHEID

- **Wees waakzaam, let op wat u doet en gebruik uw gezond verstand wanneer u een machine gebruikt. Gebruik geen machine niet als u moe bent of onder de invloed bent van drugs, alcohol of medicijnen.** Een moment van onoplettendheid tijdens het gebruik van de machine kan leiden tot ernstig persoonlijk letsel.

- **Gebruik persoonlijke beschermingsmiddelen. Draag altijd oogbescherming.** Beschermingsmiddelen zoals een stofmasker, slipvaste veiligheidsschoenen, veiligheidshelm of gehoorbescherming afhankelijk van de aard en het gebruik van het gereedschap verkleint het risico op persoonlijk letsel.
- **Vermijd dat de machine per ongeluk wordt gestart. Zorg dat de schakelaar op de stand 'Uit' is ingesteld voordat u de machine op een stroombron en/of accupack aansluit, vastneemt of draagt.** Het dragen van een gereedschap met uw vinger op de schakelaar of het activeren van een gereedschap met de schakelaar op 'aan', leidt tot ongelukken.
- **Verwijder instelsleutels of moersleutels voordat u de machine inschakelt.** Een instelsleutel of moersleutel in een draaiend deel van de machine achterlaten kan leiden tot persoonlijk letsel.
- **Reik niet te ver. Zorg er altijd voor dat u stevig en stabiel staat.** Dit zorgt ervoor dat u de machine in onverwachte situaties beter onder controle kunt houden.
- **Draag passende kleding. Draag geen los hangende kleding of sieraden. Houd uw haar en kleding uit de buurt van bewegende onderdelen.** Los hangende kleding, sieraden en lang haar kunnen in bewegende onderdelen verstrikt raken.
- **Wanneer de montage van stofafzuiging- of stofopvangvoorzieningen mogelijk is, dient u ervoor te zorgen dat deze juist aangesloten en gebruikt worden.** Het gebruik van een stofopvang kan helpen om het risico in verband met stof te verlagen.
- **Word niet zelfingenomen door de ervaring die u hebt opgedaan door frequent gebruik, waardoor u dan de veiligheidswaarschuwingen negeert.** Een achteloze actie kan binnen een fractie van een seconde ernstig letsel veroorzaken.

GEBRUIK EN ONDERHOUD VAN DE MACHINE

- **Overbelast de machine niet. Gebruik de juiste machine voor uw toepassing.** Met de juiste machine werkt u beter en veiliger binnen het aangegeven vermogensbereik.
- **Gebruik de machine niet als de schakelaar niet kan worden in- en uitgeschakeld.** Een machine die niet met de schakelaar kan worden bediend is gevaarlijk en moet worden gerepareerd.
- **Trek de stekker uit de stroomvoorziening en/of verwijder het accupack, indien die kan worden verwijderd, uit het gereedschap voordat u deze instelt, accessoires vervangt of het gereedschap opbergt.** Deze preventieve voorzorgsmaatregelen beperken het risico op onbedoeld starten van de machine.
- **Bewaak de niet-gebruikte machine buiten het bereik van kinderen en laat de machine niet bedienen door personen die niet bekend zijn met de machine of deze instructies.** Machines zijn gevaarlijk wanneer ze door onervaren personen worden gebruikt.
- **Onderhoud van machines en toebehoren. Controleer of de bewegende onderdelen correct functioneren en niet vastklemmen en/of de onderdelen zodanig gebroken of beschadigd zijn dat de werking van de machine nadelig wordt beïnvloedt.** Als de machine beschadigd is, laat deze voor gebruik repareren. Vele ongevallen worden veroorzaakt door een slecht onderhouden machine.
- **Houd snij-gereedschap scherp en schoon.** Zorgvuldig onderhouden snij-gereedschap met scherpe snijranden klemt minder snel vast en is gemakkelijker te beheersen.
- **Gebruik het gereedschap, de accessoires, het inzetgereedschap, etc. in overeenstemming met deze instructies en houd hierbij rekening met de werkomstandigheden en de uit te voeren werkzaamheden.** Het gebruik van de machine voor andere dan de beoogde toepassingen kan een gevaarlijke situatie tot gevolg hebben.
- **Houd de handgrepen en greepvlakken droog, schoon en vrij van olie en smeervet.** Glibberige handgrepen en greepvlakken maken een veilige omgang en de controle over de machine in onverwachte situaties onmogelijk.

GEBRUIK EN ONDERHOUD VAN DE ACCU VAN DE MACHINE

- **Laad alleen op met de lader die door de fabrikant is aangegeven.** Een lader die geschikt is voor een bepaald type accupack kan tot brandgevaar leiden wanneer deze gebruikt wordt met een ander accupack.
- **Gebruik machines alleen met de specifiek vermelde accupacks.** Het gebruik van andere accupacks kan risico op letsel en brandgevaar veroorzaken.
- **Wanneer u het accupack niet gebruikt, houd het uit de buurt van andere metalen voorwerpen zoals paperclips, munten, sleutels, spijkers, schroeven of andere kleine metalen voorwerpen die de twee aansluitklemmen kunnen verbinden.** Het kortsluiten van de aansluitklemmen kan brandwonden of brand veroorzaken.
- **Bij verkeerd gebruik kan er vloeistof uit de**

accu worden gespoten; vermijd elk contact. Als aanraking met de vloeistof plaatsvindt, spoel het dan af met water. Als de vloeistof in de ogen komt, dient u onmiddellijk een arts te consulteren. Vloeistof uit de accu kan irritatie of brandwonden veroorzaken.

- **Gebruik geen accupack of machine de is beschadigd of aangepast.** Beschadigde of aangepaste accu's kunnen resulteren in onvoorzien gedrag zoals brand, explosie of het risico op letsel.
- **Stel een accupack of machine niet bloot aan vuur of excessieve temperaturen.** Blootstelling aan vuur of temperaturen boven 130 °C kunnen leiden tot een explosie.
- **Neem alle laad instructies in acht en laad het accupack of de machine niet buiten het gespecificeerde temperatuurbereik in de handleiding op.** Het onjuist laden of bij een temperatuur buiten het temperatuurbereik kan de accu beschadigen en er bestaat een gevaar op brand.

REPARATIE

- **Laat uw machine repareren door een gekwalificeerd persoon en alleen met identieke reserveonderdelen.** Dit waarborgt dat de veiligheid van het gereedschap behouden blijft.
- **Repareer beschadigde accupacks nooit.** Onderhoud van accupacks mag alleen worden uitgevoerd door de fabrikant of een geautoriseerde dienstverlener.

VEILIGHEIDSWAARSCHUWINGEN VOOR VERTICUTEERMACHINES

- **Gebruik de machine niet onder slechte weersomstandigheden, vooral niet als er sprake is van kans op bliksem.** Dit vermindert het risico om te worden getroffen door de bliksem.
- **Inspecteer het gebied waar het gereedschap moet worden gebruikt grondig op wilde dieren.** Wilde dieren kunnen tijdens het gebruik door het elektrisch gereedschap gewond raken.
- **Controleer het gebied waar u het gereedschap wilt gebruiken en verwijder alle stenen, stokken, draden, botten en andere vreemde voorwerpen.** Weggeslingerde voorwerpen kunnen persoonlijk letsel veroorzaken.
- **Controleer altijd visueel of de tanden en de tandassemblage niet versleten of beschadigd zijn voordat u de machine gebruikt.** Versleten of beschadigde onderdelen verhogen het risico op letsel.
- **Houd de beschermkappen op hun plaats. De bescherming moet in goede staat zijn en goed zijn gemonteerd.** Een bescherming die los is, beschadigd

of niet goed functioneert, kan leiden tot persoonlijk letsel.

- **Houd alle ventilatieopeningen vrij van vuil.** Geblokkeerde luchtinlaten en vuil kunnen leiden tot oververhitting of brandgevaar.
- **Draag tijdens het gebruik van de machine altijd antislip en beschermend schoeisel. Gebruik de machine nooit met blote voeten of sandalen.** Dit verkleint de kans op letsel aan de voeten door contact met de bewegende tanden.
- **Draag tijdens het gebruik van het gereedschap altijd een lange broek.** Blootgestelde huid vergroot de kans op letsel door rondvliegende voorwerpen.
- **Gebruik de machine niet in nat gras. Altijd lopen, nooit rennen.** Dit vermindert het risico op uitglijden en vallen, wat kan leiden tot persoonlijk letsel.
- **Gebruik het gereedschap niet op te steile hellingen.** Dit vermindert het risico op controleverlies, uitglijden en vallen, wat kan leiden tot persoonlijk letsel.
- **Wanneer u op hellingen werkt, moet u altijd stevig staan, altijd naar de top van de helling werken, nooit omhoog of omlaag en wees uiterst voorzichtig wanneer u van richting verandert.** Dit vermindert het risico op controleverlies, uitglijden en vallen, wat kan leiden tot persoonlijk letsel.
- **Wees zeer voorzichtig als u draait of het gereedschap in uw richting trekt. Wees altijd bewust van uw omgeving.** Dit vermindert het risico op struikelen tijdens het gebruik.
- **Houd de machine alleen bij de geïsoleerde handgrepen vast, de tanden kunnen in aanraking komen met verborgen bedrading.** Tand die met een draad onder stroom in aanraking komen kunnen de blootgestelde metalen onderdelen van de machine onder stroom zetten en de gebruiker een elektrische schok geven.
- **Raak de tanden en andere gevaarlijke bewegende onderdelen niet aan terwijl ze nog in beweging zijn.** Dit vermindert het risico op letsel door bewegende onderdelen.
- **Wanneer u vastgelopen materiaal verwijdert of de machine schoonmaakt, moet u ervoor zorgen dat alle stroomschakelaars zijn uitgeschakeld en de accu is losgekoppeld.** Onverwachte bediening van de machine kan leiden tot ernstig persoonlijk letsel.

AANVULLENDE WAARSCHUWINGEN

- Alleen te gebruiken met EGO-motorkop PH1400E/PH1420E/PHX1600.
OPMERKING: Raadpleeg de gebruiksaanwijzing van

uw EGO-motorkop PH1400E/PH1420E/PHX1600 voor gedetailleerde veiligheidsvoorschriften en bedieningsinstructies.

BEWAAR DEZE GEBRUIKSAANWIJZING

SPECIFICATIES

| | |
|---------------------------------------------------------------------------|------------------------------------------|
| Maximale werkbreedte | 355 mm |
| Snelheid zonder belasting (met PH1420E) | Laag: 2600 RPM |
| | Hoog: 3000 RPM |
| Diepte-afstelling | 3 posities |
| Verticuteerdiepte | 0 / 10 mm / 20 mm |
| Aanbevolen bedrijfstemperatuur | 0°C – 40°C |
| Aanbevolen opbergtemperatuur | -20°C – 70°C |
| Gemeten geluidsvermogensniveau L_{WA} | 88 dB(A) K=2 dB(A) (PH1400E) |
| | 88,49 dB(A) K=0,81 dB(A) (PH1420E) |
| | 90 dB(A) K=0,9 dB(A) (PHX1600) |
| Geluidsdruk niveau bij het oor van de gebruiker L_{PA} | 82 dB(A) K=3 dB(A) (PH1400E) |
| | 79,8 dB(A) K=3 dB(A) (PH1420E) |
| | 82 dB(A) K=3 dB(A) (PHX1600) |
| Gegarandeerd geluidsvermogensniveau L_{WA} (gemeten volgens 2000/14/EG) | 92 dB(A) |

| | | |
|-----------------------------------|-------------------|--------------------------------------------------------------|
| Inschatting van de vibratie a_h | Voorste handgreep | 2,35 m/s ² K=1,5 m/s ² (PH1400E) |
| | | 2,36 m/s ² K=1,5 m/s ² (PH1420E) |
| | | 2,63 m/s ² K=1,5 m/s ² (PHX1600) |
| | Rear handle | 2,66 m/s ² K=1,5 m/s ² (PH1400E) |
| | | 2,24 m/s ² K=1,5 m/s ² (PH1420E) |
| | | 1,74 m/s ² K=1,5 m/s ² (PHX1600) |
| Gewicht (met verticuteercilinder) | 7,4 kg | |

NL

- De bovengenoemde parameters werden getest en gemeten met de motorkop PH1400E/PH1420E/PHX1600.
- De opgegeven totale vibratiewaarde is gemeten volgens de standaard testmethode en kan worden gebruikt om het apparaat met een ander apparaat te vergelijken.
- De opgegeven totale vibratiewaarde kan tevens worden gebruikt in een voorafgaande beoordeling op blootstelling.

⚠ WAARSCHUWING: De trillingsemissie tijdens het werkelijk gebruik van de machine kan verschillen van de gebruikte machine. Om de gebruiker te beschermen dient de gebruiker tijdens het gebruik handschoenen en gehoorbescherming te dragen.

⚠ WAARSCHUWING: De veiligheidsmaatregelen ter bescherming van de bediener zijn gebaseerd zijn op een schatting van de blootstelling in de feitelijke gebruiksomstandigheden (rekening houdend met alle delen van de gebruikscyclus, zoals de tijd dat de machine is uitgeschakeld en de tijd dat het stationair draait, naast de werkelijke gebruikstijd).

BESCHRIJVING

KEN UW VERTICUTEER-OPZETSTUK (Afb. A)

- Einddop (2)
- Bevestigingsas

3. Onderste afdekking
4. Wiel
5. Bovenste afdekking
6. Instelhendel voor diepte
7. Deflectorscherm
8. Schraapbalk
9. 4 mm inbussleutel
10. 5 mm inbussleutel
11. Harktrand
12. Verticuteercilinder

NL

MONTAGE

⚠ WAARSCHUWING: Als er onderdelen beschadigd zijn of ontbreken, gebruik dit product niet totdat alle onderdelen vervangen of aanwezig zijn. Dit product gebruiken met beschadigde of ontbrekende onderdelen kan ernstig persoonlijk letsel veroorzaken.

⚠ WAARSCHUWING: Probeer niet om dit product aan te passen of accessoires te maken die niet voor gebruik met dit product zijn aanbevolen. Een dergelijke aanpassing of wijziging is misbruik en kan leiden tot gevaar en een ernstig persoonlijk letsel.

DE BEVESTIGINGSAS MET DE VERTICUTEEREENHEID VERBINDEN (Afb B)

| | | | |
|-----|----------------|-----|--------------------|
| B-1 | M5 Bout | B-4 | Gat |
| B-2 | Bout | B-5 | Schroefgat |
| B-3 | Bevestigingsas | B-6 | Onderste afdekking |

1. Leg de verticuteereenheid ondersteboven op een stabiel, vlak oppervlak.
2. Verwijder de eindkap van het voorste uiteinde van de bevestigingsas.
3. Zorg dat het gat op de bevestigingsas naar boven wijst en schuif de bevestigingsas in de onderste kap van de verticuteereenheid totdat deze niet verder kan. Zorg dat het schroefgat in de onderste kap uitgelijnd is met het gat in de bevestigingsas.
4. Gebruik de meegeleverde 4 mm inbussleutel om de onderste afdekking met de M5-bout aan de bevestigingsas te bevestigen.
5. Gebruik de inbussleutel om de twee voorgemonteerde bouten stevig vast te draaien op de onderste afdekking.

⚠ WAARSCHUWING: Zorg ervoor dat alle drie de bouten volledig vastgedraaid zijn voordat u het apparaat gebruikt. Controleer regelmatig tijdens gebruik of de bouten goed vastzitten om ernstig persoonlijk letsel te voorkomen.

DE VERTICUTEEREENHEID MET DE MOTORKOP VERBINDEN

Dit verticuteer-opzetstuk is ontworpen voor gebruik met de EGO-motorkop PH1400E/PH1420E/PHX1600.

Zie de sectie "EEN OPZETSTUK OP DE MOTORKOP INSTALLEREN" in de gebruiksaanwijzing van de motorkop PH1400E/PH1420E/PHX1600.

WERKING

⚠ WAARSCHUWING: Vertrouwdheid kan leiden tot onvoorzichtigheid. Opgelet, één seconde van onoplettendheid kan ernstig letsel teweegbrengen.

⚠ WAARSCHUWING: Draag altijd oogbescherming. Het niet dragen van deze beschermingsuitrusting kan ertoe leiden dat voorwerpen in uw ogen terechtkomen of kan een ander ernstig letsel veroorzaken.

⚠ WAARSCHUWING: Om ernstig persoonlijk letsel te voorkomen, haal het accupack uit het product voor onderhoud, reiniging, het vervangen van accessoires of het verwijderen van materiaal van het product.

⚠ WAARSCHUWING: Gebruik geen opzetstukken of accessoires die niet door de fabrikant van dit product zijn aanbevolen. Het gebruik van niet aanbevolen opzetstukken of accessoires kan leiden tot ernstig persoonlijk letsel.

TOEPASSINGEN

Verwijder oud, opgedroogd maaisel, mos, gras of wortelresten van het gazon.

DE VERTICUTEERMACHINE STARTEN/STOPPEN

Voor ingebruikname van de verticuteermachine

⚠ WAARSCHUWING: Om ernstig persoonlijk letsel te voorkomen, draag altijd een veiligheidsbril wanneer u dit product gebruikt. Draag een gezichts- of stofmasker in geval van een stoffige omgeving. Draag geschikte kleding en schoeisel tijdens het gebruik om het risico op letsel als gevolg van rondvliegend puin te beperken.

- Controleer het product vóór gebruik grondig op schade. Gebruik het product niet als het beschadigd of versleten is.
- Zorg ervoor dat het gazon vrij is van stenen, takken, draad of andere objecten die het product kunnen beschadigen.

- Maai het gazon voordat u aan de slag gaat en bemest het daarna.

Bedieningstips

Voor een gezond gazon in het voorjaar is het belangrijk dat er meer lucht kan doordringen tot de wortelzone van het gras. Wij raden aan om het gazon minstens twee keer per jaar te verticuteren, in het voorjaar of in de herfst, afhankelijk van de toestand van uw gazon.

- Voor uw veiligheid: werk niet op hellingen steiler dan 15 graden. Werk dwars op de helling en niet van boven naar beneden. Wees erg voorzichtig als u van richting verandert op een helling.
- Gebruik dit product niet op een nat gazon, omdat nat gras de machine en de tanden kan verstopen en u zou kunnen uitglijden en vallen.
- Houd het product met beide handen vast. Zorg ervoor dat de handgrepen droog zijn voor een veilige grip.
- Duw het product langzaam vooruit. Beweeg het product met een gepaste snelheid. Ga niet te snel, om te voorkomen dat de tanden vastlopen en de motor overbelast raakt.
- Schakel het product direct uit als andere mensen het werkgebied betreden. Laat het product altijd volledig tot stilstand komen voordat u die neerlegt.
- Overbelast uzelf niet. Neem regelmatig een pauze om geconcentreerd te blijven en de machine onder volledige controle te houden.
- Werk in licht overlappende banen. Het meest effectieve patroon is rechte lijnen langs één kant (Afb. C). Dit zorgt ervoor dat de banen gelijkmatig zijn en dat het volledig gazon wordt geverticuteerd zonder plekken over te slaan.
- Let extra goed op bij het veranderen van richting.
- Let altijd op uw houding. Uitglijden en vallen kan ernstig persoonlijk letsel veroorzaken. Als u het gevoel hebt dat u uw balans verliest, schakel dan onmiddellijk de motor uit.
- Werk niet in de buurt van afgronden, greppels of hellingen, omdat u uw evenwicht of grip kunt verliezen.

Verticuteer-opzetstuk starten/stoppen

Zie de sectie "DE MOTORKOP STARTEN/STOPPEN" in de gebruikershandleiding voor de PH1400E/PH1420E/PHX1600.

⚠ WAARSCHUWING: Stop de machine als deze gekanteld moet worden voor transport over andere oppervlakken dan gras of bij het verplaatsen naar en van het werkgebied.

⚠ WAARSCHUWING: Kantel de machine niet bij

het inschakelen van de motor, behalve als dit absoluut noodzakelijk is. In dit geval, kantel de machine niet meer dan strikt noodzakelijk en til alleen het deel dat van de gebruiker af is.

Controle op blokkering van de tanden

- Om blokkering te voorkomen, reinig de onderzijde van de machine vóór en na elk gebruik om opgehoopt vuil te verwijderen.
- Als er een blokkering optreedt, stop de machine en verwijder de accu. Verwijder vervolgens gras en bladeren die zich hebben opgehoopt op of rond de tanden en het dek. Veeg de machine schoon met een vochtige doek.

DE DIEPTE AANPASSEN (Afb. D)

⚠ WAARSCHUWING: Houd uw voeten uit de buurt van het dek bij het aanpassen van de diepte.

De verticuteerdiepte kan worden ingesteld op 3 posities:

1 & 2: werkstand

3: transportstand

Pas de diepte aan op basis van de behoeften van uw gazon.

1. Schakel de machine uit en wacht tot deze volledig tot stilstand is gekomen.
2. Verwijder het accupack.
3. Trek de instelhendel voor diepte uit de vergrendeling en stel deze in op de gewenste positie.

| | | | |
|-----|--------------------------|-----|---------------|
| D-1 | Instelhendel voor diepte | D-2 | Dieptepositie |
|-----|--------------------------|-----|---------------|

ONDERHOUD

⚠ WAARSCHUWING: Voor het inspecteren, reinigen of onderhouden van het machine dient u de motor te stoppen, te wachten totdat alle bewegende onderdelen tot stilstand zijn gekomen en het accupack te verwijderen. Het negeren van deze instructies kan ernstig persoonlijk letsel of materiële schade tot gevolg hebben.

⚠ WAARSCHUWING: Draag altijd een veiligheidsbril met zijschermen. Als u dit niet doet kan het ertoe leiden dat voorwerpen in uw ogen terechtkomen wat ernstig letsel kan veroorzaken.

⚠ WAARSCHUWING: Gebruik tijdens reparaties uitsluitend identieke reserve-onderdelen. Het gebruik van andere onderdelen kan gevaar opleveren of schade aan het product veroorzaken. Om een continue veiligheid en betrouwbaarheid te waarborgen, dienen alle reparaties,

uitgezonderd zulke die worden opgesomd in deze gebruiksaanwijzing, te worden uitgevoerd door een vakbekwame reparateur.

⚠ WAARSCHUWING: Na het raken van een vreemd voorwerp, stop de machine en verwijder het accupack om ervoor te zorgen dat alle bewegende delen volledig tot stilstand zijn gekomen. Inspecteer vervolgens de machine op schade en voer de nodige reparaties uit voordat u de machine opnieuw start en gebruikt.

⚠ WAARSCHUWING: Als de machine abnormaal begint te trillen, stop de machine en verwijder het accupack om ervoor te zorgen dat alle bewegende delen volledig tot stilstand zijn gekomen. Inspecteer de machine onmiddellijk op schade, vervang of repareer beschadigde onderdelen en controleer of losse onderdelen stevig zijn vastgezet.

⚠ WAARSCHUWING: Wees voorzichtig tijdens het afstellen van het product om beknelling van vingers tussen de bewegende en vaste onderdelen van het product te voorkomen.

REINIGING

⚠ WAARSCHUWING: Als u het verticuteer-opzetstuk reinigt, dompel hem dan NIET in water of andere vloeistoffen.

Maak de kunststof onderdelen niet schoon met oplosmiddelen. De meeste kunststoffen kunnen worden beschadigd wanneer ze in contact komen met commerciële oplosmiddelen. Gebruik een schone doek voor het verwijderen van vuil, stof, olie, smeer, etc.

SMEREN

Alle pakkingen in het product zijn gesmeerd met een voldoende hoeveelheid hoogwaardig smeermiddel voor de hele levensduur onder normale gebruiksomstandigheden. Daarom hoeft u de pakkingen niet meer te smeren.

DE CILINDER VERVANGEN

⚠ WAARSCHUWING: Voordat u onderhoud uitvoert, verwijder altijd het accupack uit de machine en wacht tot de tandcilinder volledig tot stilstand is gekomen. Draag beschermende handschoenen bij het hanteren van de tanden.

De cilinder verwijderen

1. Verwijder het accupack van de motorkop.
2. Leg het opzetstuk ondersteboven op een vlakke, stabiele ondergrond.
3. Gebruik de meegeleverde 5 mm inbusleutel om de twee borgbouten op de lagerzitting van de verticuteercilinder los te draaien en te verwijderen (Afb. E1).

4. Duw de verticuteercilinder naar links totdat de getande as aan de rechterkant uit de getande naaf van de machine is getrokken (Afb. E2).
5. Verwijder de verticuteercilinder uit de machine (Afb. E3).

| | | | |
|------|--------------|------|---------------------|
| E1-1 | Lagerzitting | E1-2 | Verticuteercilinder |
| E2-1 | Getande as | E2-2 | Spilnaaf |

De nieuwe cilinder installeren

1. Plaats de lagerzitting van de nieuwe cilinder op de machinebasis en duw de cilinder zo ver mogelijk naar links (Afb. F1).
2. Lijn de getande as aan de rechterkant van de cilinder uit en steek deze in de getande naaf van de machine (Afb. F2).
3. Lijn de twee gaten in de lagerzitting uit met de gaten op de basis en bevestig de lagerzitting aan de basis met de borgbouten (Afb. F3).

DE HARKTANDEN VERVANGEN

Bij normaal gebruik kunnen de harktanden na verloop van tijd slijten of breken. Als het aanpassen van de tandendiepte niet meer de gewenste mate van verticuteren oplevert, of als een tand breekt, volg dan onderstaande stappen om de tanden te vervangen.

De harktand verwijderen

1. Verwijder het accupack van de motorkop.
2. Leg het opzetstuk ondersteboven op een vlakke, stabiele ondergrond.
3. Druk de twee pennen van de harktand naar sleuf 1 op de cilinder en trek de harktand van de verticuteercilinder af, zoals weergegeven in Afb. G.

| | | | |
|-----|-----|-----|---------|
| G-1 | Pen | G-2 | Sleuf 1 |
|-----|-----|-----|---------|

De harktand installeren (Afb H)

1. Steek de pen van de harktand in sleuf 1 op de cilinder (stap 1).
2. Steek de zitting van de harktand in sleuf 2 op de cilinder (stap 2).
3. Leid de twee pennen van de harktand naar sleuf 1, duw deze naar voren tot de positie bij sleuf 3. De twee pennen zullen automatisch terugveren op hun plaats (stap 3 en 4).

| | | | |
|-----|---------|-----|---------|
| H-1 | Pen | H-2 | Sleuf 1 |
| H-3 | Sleuf 2 | H-4 | Sleuf 3 |

TRANSPORT EN OPSLAG

- Verwijder het accupack van de motorkop.
- Laat de machine altijd afkoelen voordat u deze opbergt.
- Maak het product grondig schoon voordat u die opbergt.
- Berg het product op in een droge, goed geventileerde ruimte, buiten het bereik van kinderen, bijvoorbeeld afgesloten of op een hoge plaats. Berg het product niet op in de buurt van meststoffen, benzine of andere chemicaliën.

NL

HET MILIEU BESCHERMEN



Gooi geen elektrische apparatuur, gebruikte accu's en laders weg via het huishoudelijk afval! Geef dit product af bij een geautoriseerd recyclingbedrijf en zorg dat het apart kan worden ingezameld.

Elektrisch gereedschap moet worden geretourneerd voor een milieuvriendelijke recycling.

PROBLEEMOPLOSSING

NL

| PROBLEEM | OORZAAK | OPLOSSING |
|------------------------------------------------------------------------|----------------------------------------------------------------------------------------------------------------------------------------------------------------------------------------------------------------------------|--------------------------------------------------------------------------------------------------------------------------------------------------------------------------------------------------------------------------------------------------------|
| De motor start niet | <ul style="list-style-type: none">■ Het accupack is leeg.■ De vergrendelknop of trekkerschakelaar wordt niet correct gebruikt.■ Het accupack is niet volledig in de accupoort aangebracht. | <ul style="list-style-type: none">■ Laad het accupack op.■ Volg de sectie "DE MOTORKOP STARTEN/STOPPEN" in de handleiding van de motorkop.■ Controleer of het accupack volledig in de accupoort is aangebracht. |
| De machine maakt vreemde geluiden. | <ul style="list-style-type: none">■ Vuil of een vreemd object belemmert de tanden van de machine. | <ul style="list-style-type: none">■ Stop de motor, verwijder het accupack en verwijder vuil of vreemde objecten die de werking van de machine belemmeren. |
| De machine functioneert niet goed of resultaten zijn niet bevredigend. | <ul style="list-style-type: none">■ Het gras is te hoog. | <ul style="list-style-type: none">■ Maai het gazon voordat u gaat verticuteren. |
| | <ul style="list-style-type: none">■ Nat vuil blijft aan de onderkant van het dek kleven. | <ul style="list-style-type: none">■ Wacht tot het gazon droog is voordat u gaat verticuteren. |
| | <ul style="list-style-type: none">■ De diepte is verkeerd ingesteld. | <ul style="list-style-type: none">■ Stel de diepte van de tanden in om het gewenste resultaat te bereiken. |
| | <ul style="list-style-type: none">■ De tanden zijn versleten of beschadigd. | <ul style="list-style-type: none">■ Vervang de tanden indien nodig. |

GARANTIE

EGO-GARANTIEBELEID

Ga naar de website egopowerplus.eu voor de volledige algemene voorwaarden van het EGO-garantiebeleid.

LÆS ALLE ANVISNINGER!



LÆS BRUGERVEJLEDNINGEN

SIKKERHEDSSYMBOLER

Formålet med sikkerheds- symboler er at tiltrække din opmærksomhed på mulige farer. Du skal være meget opmærksom på sikkerhedssymbolerne og forklaringerne til dem og lære at forstå dem. Symbolernes advarsel fjerner ikke i sig selv eventuelle farer. Anvisningerne og advarselne er ingen erstatninger for ordentlig forebyggelse af ulykker.

⚠ ADVARSEL: Sørg for at læse og forstå alle sikkerhedsanvisninger i denne brugsanvisning, herunder alle sikkerhedssymboler, såsom "FARE", "ADVARSEL" og "FORSIGTIG" før du bruger denne maskine. Hvis anvisningerne nedenfor ikke følges, kan det føre til elektrisk stød, brand og/eller alvorlig personskade.

SYMBOLERNES BETYDNING

⚠ ADVARSELSSYMBOL: Angiver FARE, ADVARSEL ELLER FORSIGTIG. Kan anvendes i kombination med andre symboler eller piktogrammer.



⚠ ADVARSEL: Når en maskine bruges, er der altid en risiko for at genstande slynges ind i øjnene, som kan føre til alvorlige øjenskader. Inden maskinen tages i brug, skal du altid tage beskyttelsesbriller eller

sikkerhedsbriller på med sideskærm, eller en fuld ansigtsmaske, hvis nødvendigt. Vi anbefaler en Wide Vision Safety Maske til brug over briller eller standard sikkerhedsbriller med sideskærme.

SIKKERHEDSANVISNINGER

Denne side viser og beskriver sikkerhedssymboler, der kan være på dette produkt. Læs, forstå, og følg alle anvisningerne på maskinen, før du forsøger at samle og betjene den.

| | | |
|--|------------------------------------------------------------------------|--------------------------------------------------------------------------------------------------------------------------------|
| | Sikkerhedsadvarsel | Angiver en potentiel fare for personskade. |
| | Læs og forstå brugsanvisningen | For at reducere risikoen for skader, skal brugeren læse og forstå brugsanvisningen før du bruger dette produkt. |
| | Brug beskyttelsesbriller | Bær altid beskyttelsesbriller eller sikkerhedsbriller med side skjolde og en fuld ansigtsskærm, når du betjener dette produkt. |
| | ADVARSEL - Pas på slyngende genstande - hold andre personer på afstand | Advarer brugeren om slyngende genstande - hold andre personer på afstand. |
| | ADVARSEL - Hold hænder og fødder væk | Advarer brugeren om at holde hænder og fødder væk. |
| | ADVARSEL - Hold hænder og fødder væk fra tænderne | Advarer om at holde hænder og fødder væk fra tænderne. |
| | CE | Dette produkt er i overensstemmelse med gældende EU-direktiver. |
| | UKCA | Dette produkt er i overensstemmelse med lovgivningen i Storbritannien. |
| | WEEE | Elektriske affaldsprodukter må ikke bortskaffes sammen med husholdningsaffald. Bring det til en godkendt genbrugsplads. |
| | Støj | Garanteret lydniveau. Støjemission til miljøet opfylder EF-direktivet. |

DK

| | | |
|-----------------------------------------------------------------------------------|---------------------------------------------------|--------------------------------------------------------------|
| V | Volt | Spænding |
|  | Jævnstrøm (DC) | Spændingstype eller egenskab |
| mm | Millimeter | Længde eller størrelse |
| kg | Kg | Vægt |
| min | Minutter | Tid |
| n ₀ | Hastighed uden belastning | Omdrejningshastighed, uden belastning |
| Min ⁻¹ | Omdrejninger eller ryk frem og tilbage i minuttet | Omdrejninger, slag, overfladehastighed, baner osv. pr. minut |
| RPM | Omdrejninger pr. minut | Omdrejningshastighedsikon |
| °C | Grader celsius | Temperatur |

DK

⚠ ADVARSEL: For at sikre sikkerhed og pålidelighed, bør alle reparationer udføres af en kvalificeret servicetekniker.

GENERELLE SIKKERHEDSADVARSLER TIL BATTERIDREVNE MASKINER

⚠ ADVARSEL: LÆS ALLE SIKKERHEDSADVARSLER, INSTRUKTIONER, BILLEDER OG SPECIFIKATIONER, DER FØLGER MED DENNE MASKINE. Hvis anvisningerne nedenfor ikke følges, kan det føre til elektrisk stød, brand og/eller alvorlig personskade.

GEM ALLE ADVARSLER OG INSTRUKTIONER TIL FREMTIDIG REFERENCE.

Udtrykket "maskine" i advarselne henviser til din netdrevne (med ledning) maskine eller batteridrevne (ledningsfri) maskine.

SIKKERHED PÅ ARBEJDSPLADSEN

- **Sørg for, at arbejdsområdet er rent og godt belyst.** Et rodet eller mørkt område kan føre til ulykker.
- **Maskinen må ikke bruges i en eksplosionsfarlig atmosfære, såsom i nærheden af brændbare væsker, gasser eller støv.** Maskinen danner gnister, der kan antænde støv eller dampe.
- **Hold børn og tilskuere på afstand, når en maskine er i brug.** Distractioner kan medføre, at du mister kontrollen.

SIKKERHED OMKRING ELEKTRICITET

- **Maskinens stik skal passe til stikkontakten. Stikket må på ingen måde ændres. Brug ikke adapterstik med jordforbundne maskiner.** Uændrede stik, der passer til stikkontakterne, nedsætter risikoen for elektrisk stød.
- **Undgå kropskontakt med jordforbundne overflader, såsom rør, radiatorer, komfurer og køleskabe.** Der er øget risiko for elektrisk stød, hvis din krop er jordforbundet.
- **Maskinen må ikke bruges i regn eller våde forhold.** Dette kan øge risikoen for elektrisk stød.
- **Ledningen må ikke mishandles. Brug aldrig ledningen til at bære eller trække maskinen, eller til at trække stikket ud. Hold ledningen væk fra varme, olie, skarpe kanter og bevægelige dele.** Beskadede eller sammenfiltrede ledninger, øger risikoen for elektrisk stød.
- **Hvis maskinen bruges udendørs, skal der bruges en forlængerledning, der er egnet til udendørs brug.** Brug af en egnet ledning til udendørs brug, reducerer risikoen for elektrisk stød.
- **Hvis en maskine skal bruges på et fugtigt sted, skal du bruge en strømforsyning med et fejlstrømsrelæ (GFCI)*.** Brug af et fejlstrømsrelæ, reducerer risikoen for elektrisk stød.

PERSONLIG SIKKERHED

- **Vær forsigtig, hold øje med hvad du laver, og brug din sunde fornuft, når du bruger maskinen.** Maskinen må ikke bruges, hvis du er træt eller er påvirket af narkotika, alkohol eller medicin. Et øjeblik uopmærksomhed under brugen af maskinen kan føre til alvorlige personskader.
- **Brug personligt beskyttelsesudstyr. Brug altid beskyttelsesbriller.** Værnemidler, såsom støvmaske, skridsikre sikkerhedssko, hjelm eller høreværn, der anvendes under passende betingelser, nedsætter risikoen for personskade.
- **Forhindre utilsigtet start. Sørg for, at tænd/sluk-knappen er slukket, inden maskinen sluttes til strømkilden eller batteripakken, samt inden den løftes op eller bæres rundt.** Undgå, at bære maskiner med fingeren på tænd/sluk-knappen eller strømforbundne maskiner, hvor tænd/sluk-knappen er tændt, da dette kan føre til ulykker.
- **Fjern indstillingsværktøj eller skruenøgler, før maskinen startes.** Hvis en skruenøgle eller en nøgle sidder i en drejende del på maskinen, kan den føre til personskader.

- **Undgå at række for langt frem. Sørg altid for at stå ordentligt fast og i god balance.** På denne måde får du bedre kontrol over maskinen i uventede situationer.
- **Brug passende tøj. Undgå, at bære løstsiddende tøj eller smykker. Hold hår og tøj fra bevægelige dele.** Løse tøj, smykker eller langt hår kan blive fanget i bevægelige dele.
- **Hvis der monteres tilbehør til opsamling af støv eller andet, skal det sikres, at disse monteres og bruges korrekt.** Brug af støvindsamlingsenheder, kan reducere støv-relaterede risici.
- **Selvom du ofte bruger og har et godt kendskab til maskinen, må du ikke være overmodig eller glemme sikkerhedsprincipperne.** En uagtsom handling kan forårsage alvorlig skade i en brøkdelt af et sekund.

BRUG OG PLEJE AF MASKINEN

- **Tving ikke maskinen. Brug den rigtige maskine til opgaven.** Den rigtige maskine gør arbejdet bedre og mere sikkert, da det er beregnet til formålet.
- **Maskinen må ikke bruges, hvis tænd/sluk-knappen ikke kan tænde og slukke.** En maskine, hvor tænd/sluk-knappen ikke dur, er farlig og skal repareres.
- **Træk stikket til maskinens strømforsyning ud af stikkontakten og/eller fjern batteripakken hvis dette er muligt, inden du foretager justeringer, skifter tilbehør eller lægger maskinen til opbevaring.** Sådanne forebyggende sikkerhedsforanstaltninger mindsker risikoen for, at maskinen startes ved et uheld.
- **Maskiner, der ikke bruges, skal holdes ude af børns rækkevidde. Lad ikke personer, der ikke er bekendt med maskinen eller disse instruktioner, bruge maskinen.** Maskinen er farligt i hænderne på brugere, der ikke ved, hvordan det skal bruges.
- **Vedligehold maskinen og tilbehøret. Kontrollér, at de bevægelige dele ikke er fejljusterede eller binder eller er i en tilstand, der kan påvirke maskinens drift.** Hvis maskinen beskadiges, skal den repareres før brug. Der sker mange ulykker på grund af dårligt vedligeholdte maskiner.
- **Skæremaskiner skal holdes skarpe og rene.** Skæremaskiner med skarpe kanter, der vedligeholdes ordentligt, er mindre tilbøjelige til at binde og er lettere at styre.
- **Maskinen, tilbehør og bits osv. skal bruges i overensstemmelse med disse instruktioner, hvor arbejdsforholdene og arbejdet, der skal udføres, skal tages i betragtning.** Maskinen må ikke bruges til andet end dens tiltænkte formål, da dette kan føre til en farlig situation.

- **Hold håndtag og gribeblader tørre, rene og fri for olie og fedt.** Glatte håndtag og glatte overflader, der holdes i, gør maskinen farligt at bruge i uventede situationer.

BRUG OG PLEJE AF DENNE BATTERIDREVNE MASKINE

- **Genoplad kun med opladeren er angivet af fabrikanten.** Hvis en oplader, der er egnet til én slags batteri, bruges med en anden slags batteri, kan det føre til brand.
- **Brug kun maskiner med særligt udpegede batteripakker.** Brug af andre batterier kan skabe risiko for personskade og brand.
- **Når batteripakken ikke er i brug, skal den holdes væk fra andre metalgenstande som papirclips, mønter, nøgler, søm, skruer eller andre små metalgenstande, der kan skabe forbindelse fra en pol til en anden.** Shorting batteripolerne sammen kan forårsage forbrændinger eller brand.
- **Ved forkert anvendelse kan der slippe væske ud af batteriet: Undgå kontakt. Hvis det alligevel skulle ske, skal området skylles med vand.** Hvis væsken kommer i øjnene, skal man søge læge. Væske fra batteriet kan forårsage irritation eller forbrændinger.
- **Brug ikke et batteri eller en maskine, der er beskadiget eller modificeret.** Beskadigede eller modificerede batterier kan opføre sig uforudsigeligt og forårsage brand, eksplosion eller risiko for personskade.
- **Udsæt ikke et batteri eller en maskine for ild eller for høj temperatur.** Udsættelse for ild eller temperaturer over 130°C kan forårsage eksplosion.
- **Følg alle anvisninger vedrørende opladning, og oplad ikke batteriet eller maskinen uden for temperaturområdet, der står i anvisningerne.** Forkert opladning eller temperaturer uden for det angivne område kan beskadige batteriet og øge risikoen for brand.

SERVICE

- **Få maskinen service af en kvalificeret tekniker, og brug kun originale reservedele.** Dette vil sikre, at maskinen fortsat er sikker at bruge.
- **Udfør aldrig selv service på beskadigede batterier.** Service på batterier må kun udføres af producenten eller godkendte servicecentre.

SIKKERHEDSADVARSLER TIL MOSFJERNEREN

- **Maskinen må ikke bruges i dårlige vejforhold, særligt hvis der er risiko for lynnedslag.** Det mindsker risikoen for at blive ramt af lyn.

DK

- **Området, hvor maskinen skal bruges, skal grundigt undersøges for dyreliv.** Dyrelivet kan tage skade af maskinen under drift.
- **Undersøg området, hvor maskinen skal bruges, og fjern evt. sten, pinde, ledninger, knogler og andre fremmedlegemer.** Genstande, der slynges ud af maskinen, kan føre til personskader.
- **Før maskinen tages i brug, skal den altid ses efter for, at se om tænderne og tandsamlingen er beskadiget.** Beskadigede eller nedslidte dele øger risikoen for skader.
- **Hold beskyttelsesanordninger på plads. Beskyttelsesanordninger skal være i funktionsdygtig stand, og skal være monteret rigtigt.** En skærm, der er løs, beskadiget eller ikke virker rigtigt, kan føre til personskader.
- **Hold alle køleluftindtag fri for snavs.** Blokerede luftindgange og skidt kan føre til overophedning eller brandfare.
- **Brug altid skridsikkert og beskyttende fodtøj, når maskinen bruges. Maskinen må ikke bruges med bare fødder eller med åbne sandaler på.** Dette reducerer risikoen for skader på fødderne ved kontakt med de bevægelige tænder.
- **Brug altid langbukser, når maskinen bruges.** Udsat hud øger sandsynligheden for skader fra slyngede genstande.
- **Undgå, at bruge maskinen på vådt græs. Gå, aldrig løbe.** Dette reducerer risikoen for, at brugeren glider eller falder, hvilket kan føre til personskader.
- **Maskinen må ikke bruges på alt for stejle skrånninger.** Dette reducerer risikoen for, at brugeren mister kontrollen over maskinen, glider eller falder, hvilket kan føre til personskader.
- **Hvis du arbejder på skrånninger, skal du altid have et ordentligt fodfæste. Arbejd altid på tværs af skrånningerne, og aldrig op eller ned ad skrånningerne. Vær meget forsigtig, når du skifter retning.** Dette reducerer risikoen for, at brugeren mister kontrollen over maskinen, glider eller falder, hvilket kan føre til personskader.
- **Vær meget forsigtig, når du kører baglæns eller trækker maskinen mod dig selv. Vær altid opmærksom på dine omgivelser.** Dette mindsker risikoen for, at falde under brug.
- **Maskinen må kun holdes på de isolerede håndtag, da tænderne kan ramme skjulte ledninger.** Hvis tænderne rammer en strømledende ledning, kan metaldelene på maskinen blive "strømledende", hvilket kan give brugeren elektrisk stød.

- **Rør ikke tænderne og andre farlige bevægelige dele, når de er i bevægelse.** Dette reducerer risikoen for skader på grund af bevægelige dele.
- **Hvis du fjerner fastklemt materiale eller rengør maskinen, skal sørge for, at alle afbrydere er slukket, og at batteripakken er taget ud.** Uventet brug af maskinen kan føre til alvorlige personskader.

YDERLIGERE ADVARSLER

- Produktet må kun bruges med motordelene PH1400E/PH1420E/PHX1600 fra EGO.
BEMÆRK: Alle sikkerhedsreglerne og brugsvejledningerne kan findes i brugsvejledningen til din EGO motordei PH1400E/PH1420E/PHX1600.

GEM DISSE VEJLEDNINGER

SPECIFIKATIONER

| | |
|-----------------------------------------|--------------------------------------------|
| Maksimal driftsbredde | 355 mm |
| Hastighed uden belastning (med PH1420E) | Lav: 2600 RPM |
| | Høj: 3000 RPM |
| Dybdejustering | 3 indstillinger |
| Rivedybde | 0/10 mm/20 mm |
| Anbefalet driftstemperatur | 0°C – 40°C |
| Anbefalet opbevaringstemperatur | -20°C – 70°C |
| Målt lydeffektniveau L_{WA} | 88 dB (A) K=2 dB (A) (PH1400E) |
| | 88,49 dB (A) K=0,81 dB (A) (PH1420E) |
| | 90 dB (A) K=0,9 dB (A) (PHX1600) |
| Lydtryk ved brugerens øre L_{PA} | 82 dB (A) K=3 dB (A) (PH1400E) |
| | 79,8 dB (A) K=3 dB (A) (PH1420E) |
| | 82 dB (A) K=3 dB (A) (PHX1600) |

| | | |
|--------------------------------------------------------------------------|---------------------------|--------------------------------------------------------------|
| Garanteret lydeffektniveau L_{WA} (målt i henhold til 2000/14 / EF) | | 92 dB (A) |
| Vibrationsværdi a_h | Forreste hjelpehåndtag | 2,35 m/s ² K=1,5 m/s ² (PH1400E) |
| | | 2,36 m/s ² K=1,5 m/s ² (PH1420E) |
| | | 2,63 m/s ² K=1,5 m/s ² (PHX1600) |
| | Rear handle | 2,66 m/s ² K=1,5 m/s ² (PH1400E) |
| | | 2,24 m/s ² K=1,5 m/s ² (PH1420E) |
| | | 1,74 m/s ² K=1,5 m/s ² (PHX1600) |
| Vægt (med mosfjerner-cylinder) | | 7,4 kg |

- Ovenstående parametre er blevet testet og målt med motordelen PH1400E/PH1420E/PHX1600.
- Den samlede erklærede vibrationsværdi er målt i overensstemmelse med en standard testmetode, og den kan bruges til at sammenligne et værktøj med et andet.
- Den samlede angivne vibrationsværdi kan også bruges ved en foreløbig vurdering af eksponeringen.

⚠ ADVARSEL: Vibrationsemissionen ved faktisk brug af maskinen kan afvige fra den angivne værdi, hvor maskinen bruges. For at beskytte brugeren, skal brugeren bruge handsker og høreværn i de faktiske brugsforhold.

⚠ ADVARSEL: Tag de nødvendige sikkerhedsforanstaltninger i brug i henhold til, hvor meget brugeren udsættes i brugsforholdene, så brugeren beskyttes (sørg for at tage hele driften i betragtning, såsom hvornår maskinen slukkes, og hvornår det kører i tomgang ud over driftstiden).

BESKRIVELSE

LÆR MOSFJERNER-TILBEHØRET AT KENDE (fig. A)

1. Endedæksel (2)
2. Aksel på tilbehør
3. Nedre dæksel

4. Hjul
5. Øvre dækselsamling
6. Greb til justering af dybden
7. Skærm
8. Skraber-stang
9. 4 mm unbrakonøgle
10. 5 mm unbrakonøgle
11. Rivetand
12. Mosfjerner-cylinder

SAMLING

⚠ ADVARSEL: Hvis der er dele, der er beskadigede eller mangler, anvendes apparatet ikke, før delene er udskiftet. Brug af dette produkt med beskadigede eller manglende dele kan medføre alvorlig personskade.

⚠ ADVARSEL: Forsøg ikke at ændre dette produkt eller fremstille tilbehør, der ikke anbefales til brug med dette produkt. Enhver sådan ændring eller modifikation er misbrug og kan resultere i en farlig situation og føre til eventuel alvorlig personskade.

MONTERING AF TILBEHØRETS AKSEL TIL MOSFJERNEREN (fig. B)

| | | | |
|-----|-------------------|-----|--------------|
| B-1 | M5 bolt | B-4 | Hul |
| B-2 | Bolt | B-5 | Skruehul |
| B-3 | Aksel på tilbehør | B-6 | Nedre dæksel |

1. Vend mosfjernereren på hovedet på en stabil og flad overflade.
2. Fjern endedækslet, der sidder på forenden af tilbehørets aksel.
3. Sørg for at hullet i akslen på tilbehøret vender opad, og sæt akslen så langt ind i tilbehørets nedre dæksel, som muligt. Sæt skruetallet i det nedre dæksel mod hullet på tilbehørets aksel.
4. Brug den medfølgende 4 mm unbrakonøgle til at spænde det nedre dæksel fast på monteringsakslen med M5-bolten.
5. Brug unbrakonøglen til at spænde de to forudmonterede bolte på det nedre dæksel ordentligt fast.

⚠ ADVARSEL: Sørg for, at spænde de tre bolte ordentligt fast, før produktet tages i brug. Kontroller regelmæssigt, at den er spændt under brug, så du undgår alvorlige personskader.

DK

MONTERING AF MOSFJERNER-TILBEHØRET PÅ MOTORDELEN

Dette mosfjerner-tilbehør er beregnet til brug med EGO motordel PH1400E/PH1420E/PHX1600.

Se afsnittet "**MONTERING AF TILBEHØR PÅ MOTORDEL**" i brugsvejledningen til motordelene PH1400E/PH1420E/PHX1600.

BETJENING

⚠ ADVARSEL: Lad ikke fortrolighed med dette produkt gøre dig skødesløs. Husk på, at det kan føre til alvorlige skader, hvis du ikke er opmærksom i blot et sekund.

⚠ ADVARSEL: Brug altid beskyttelsesbriller. Hvis disse ikke bruges, kan du få genstande slynget i øjnene, og der kan også opstå andre alvorlige skader.

⚠ ADVARSEL: For at undgå alvorlig personskade, skal du tage batteripakken ud af produktet før service, rengøring, udskiftning af tilbehør, og før der fjernes noget fra produktet.

⚠ ADVARSEL: Anvend ikke tilbehør eller påmonteringer, der ikke anbefales af fabrikanten af dette produkt. Brug af tilbehør eller påmonteringer, der ikke anbefales, kan forårsage alvorlig personskade.

ANVENDELSER

Fjern gammelt, indtørrede afklip, mos, græs og rødder fra græsplænen.

SÅDAN STARTES/STOPPES MOSFJERNEREN

Før mosfjernerens tages i brug

⚠ ADVARSEL: For at undgå alvorlige personskader, skal du altid bruge beskyttelsesbriller eller sikkerhedsbriller, når du bruger dette produkt. Brug en ansigtsmaske eller støvmaske, hvor der er støvet. Brug ordentligt tøj og fodtøj under arbejdet, så du reducerer risikoen for skader fra slyngende dele.

- Se grundigt produktet efter for skader, før du bruger det. Produktet må ikke bruges, hvis det er beskadiget eller er meget slidt.
- Sørg for, at der ikke er nogen sten, pinde, ledninger eller andre genstande, der kan beskadige produktet, på græsplænen.
- Slå plænen, før du bruger dette produkt, og spred derefter græsplænen med gødning.

Tip til betjening

For at en sund græsplæne kan vokse om foråret, skal luft kunne komme til græsrodderne. Vi anbefaler at rive plænen mindst to gange om året, om foråret eller

efteråret, afhængigt af plænenes tilstand.

- Af sikkerhedsmæssige årsager må produktet ikke bruges på skråninger over 15 grader. Produktet skal køres på langs af en skrånning. Det må aldrig køres op og ned af en skrånning. Vær forsigtig, når du vender retning på en skrånning.
- Dette produkt må ikke bruges på en våd plæne, da vådt græs sætter sig fast på dækket og tænderne, så du kan glide og falde.
- Hold altid fast i produktet med begge hænder. Hold håndtagene tørre, så du kan holde ordentligt fast i dem.
- Tryk langsomt produktet fremad. Køb med produktet med passende hastighed. Maskinen må ikke flyttes for hurtigt, da tænderne kan sætte sig fast, hvilket overbelaster motoren.
- Sluk straks produktet, hvis andre personer kommer ind i arbejdsområdet. Vent altid, indtil produktet er standstødt helt, før det lægges ned.
- Undgå, at overanstrengte dig. Hold regelmæssige pauser, så du kan koncentrere dig om arbejdet og har fuld kontrol over maskinen.
- Køb i rækker, der overlapper en smule. Det mest effektive mønster er lige linjer langs en af siderne (fig. C). Dette holder rækkerne lige og sikrer, at hele plænen rives uden at du overser nogen steder.
- Vær særlig opmærksom, når du skifter retning.
- Sørg altid for at have et godt fodfæste. Hvis du glider og falder, kan det føre til alvorlige personskader. Hvis du føler, du er ved at miste balancen, skal du straks slukke for motoren.
- Riv ikke i nærheden af lodrette klippesider, grøfter eller volde, da du kan miste dit fodfæste eller balance.

Sådan startes/stoppes mosfjerner-tilbehøret

Se afsnittet "**START/STOP AF MOTORDELEN**" i brugsvejledningen til motordelene PH1400E/PH1420E / PHX1600.

⚠ ADVARSEL: Stop maskinen, hvis den skal vippes, når den transporteres over andre overflader end græs, og når den flyttes til og fra området, der hvor den skal bruges.

⚠ ADVARSEL: Vip ikke maskinen, når motoren tændes, undtagen hvis det er nødvendigt at vippe maskinen for at starte den. I dette tilfælde må apparatet ikke vippes mere end absolut nødvendigt, og løft kun den del, der er væk fra brugeren.

Se, om tænderne er tilstoppet

- For at undgå tilstopping, skal maskinen rengøres på undersiden før og efter hver brug.
- Hvis der opstår en blokering, skal du stoppe maskinen og tage batteripakken ud. Fjern derefter ophobningen af græs og blade på eller omkring tænderne og dækket. Tør maskinen ren med en fugtig klud.

JUSTERING AF DYBDEN (fig. D)

⚠ ADVARSEL: Hold dine fødder fra dækket, når dybden indstilles.

Maskinen kan indstilles til 3 rivedybder:

1 & 2: Driftsindstilling

3: Transportindstilling

Juster dybden i henhold til græsplæne.

1. Sluk maskinen, og vent indtil maskinen er stoppet helt.
2. Fjern batteripakken.
3. Træk håndtaget til justering af dybden ud af rillen, og sæt det på den ønskede indstilling.

| | | | |
|-----|------------------------------|-----|------------------|
| D-1 | Greb til justering af dybden | D-2 | Dybdeindstilling |
|-----|------------------------------|-----|------------------|

VEDLIGEHOLDELSE

⚠ ADVARSEL: Stop motoren før eftersyn, rengøring og service på maskinen. Vent indtil alle bevægelige dele er standset, og tag derefter batteripakken ud. Efterkommes disse anvisninger ikke, kan det medføre alvorlig personskade eller materielle skader.

⚠ ADVARSEL: Bær altid beskyttelsesbriller med sidebeskyttelse. Hvis disse ikke bruges, kan du få genstande slynget i øjnene, hvilket kan føre til alvorlige skader.

⚠ ADVARSEL: Ved service må der kun bruges originale reservedele. Brug af andre reservedele kan medføre fare eller forårsage skader på produktet. For at sikre sikkerhed og pålidelighed, bør alle reparationer, der ligger ud over dem, der foretages i henhold til listen i vedligeholdelsesanvisningerne, udføres af en kvalificeret servicetekniker.

⚠ ADVARSEL: Hvis du rammer et fremmedlegeme, skal du stoppe maskinen og tage batteripakken ud, så du er sikker på at alle bevægelige dele er stoppet helt. Se derefter maskinen efter for skader. Eventuelle skader skal repareres, før maskinen tages i brug igen.

⚠ ADVARSEL: Hvis maskinen begynder at vibrere unormalt, skal du stoppe maskinen og tage batteripakken ud, så du er sikker på at alle bevægelige dele er stoppet helt. Se derefter maskinen efter for skader, og udskift eller reparer beskadigede dele. Kontroller også maskinen for løse dele og stram eventuelle løse dele.

⚠ ADVARSEL: Hvis produktet skal justeres, skal du være forsigtig med ikke at få fingrene i klemme mellem bevægelige dele og fastsiddende dele.

RENGØRING

⚠ ADVARSEL: Mosfjerner-tilbehøret må IKKE nedsænkes i vand eller andre væsker, når det rengøres.

Undgå, at bruge opløsningsmidler til rengøring af plastdele. De fleste plastmaterialer risikerer at blive ødelagt, ved brug af forskellige slags alment tilgængelige opløsningsmidler. Brug rene klude til at fjerne snavs, støv, olie, fedt osv.

SMØRING

Alle lejerne i dette produkt er smurt med nok smøremiddel af høj kvalitet til hele maskinens levetid under normale driftsforhold. Lejerne skal derfor ikke smøres yderligere.

UDSKIFTNING AF CYLINDEREN

⚠ ADVARSEL: Før maskinen vedligeholdes, skal du altid tage batteriet ud af maskinen og vente, indtil tandcylinderen er stoppet helt. Brug beskyttelseshandsker ved håndtering af tænderne!

Sådan tager du cylinderen ud

1. Tag batteripakken ud af motordelen.
2. Læg tilbehøret på hovedet på en flad og stabil overflade.
3. Brug den medfølgende 5 mm unbrakonøgle til at løsne og fjerne de to låsebolte på lejesædet på mosfjerner-cylinderen (fig. E1).
4. Tryk mosfjerner-cylinderen til venstre, indtil sporakslen til højre trækkes ud af maskinens spornav (fig. E2).
5. Tag mosfjerner-cylinderen af maskinen (Fig E3).

| | | | |
|------|--------------|------|---------------------|
| E1-1 | Lejesæde | E1-2 | Mosfjerner-cylinder |
| E2-1 | Spindelaksel | E2-2 | Spindelnav |

Sådan sætter du en ny cylinder i produktet

1. Sæt lejesædet på den nye cylinder på maskinens bund, og tryk cylinderen så langt til venstre, som muligt (fig. F1).

DK

2. Sæt sporakslen på højre side af cylinderen i maskinens spornav (fig. F2).
3. Sæt de to huller på lejesædet mod hullerne på bunden, og spænd lejesædet fast til bunden med låseboltene (fig. F3).

UDSKIFTNING AF RIVETÆNDERNE

Rivetænderne slides under brug og de kan med tiden knække. Hvis tænderne ikke river dybt nok eller hvis de knækker, skal du skifte tænderne, som beskrevet i nedenstående trin.

DK

Sådan tager du tanden af

1. Tag batteripakken ud af motordelen.
2. Læg tilbehøret på hovedet på en flad og stabil overflade.
3. Tryk de to stifter på rivetanden ind i åbningen 1 på cylinderen, og træk rivetanden ud af mosfjernerens cylinder, som vist på fig. G.

| | | | |
|-----|-------|-----|---------|
| G-1 | Stift | G-2 | Rille 1 |
|-----|-------|-----|---------|

Sådan sættes rivetanden på (fig. H)

1. Sæt stiften på rivetanden ind i åbningen 1 på cylinderen (trin 1).
2. Sæt sædet på rivetanden ind i åbningen 2 på cylinderen (trin 2).
3. Sæt de to stifter på tanden ind i åbningen 1, tryk fremad til åbningen 3, hvorefter de to stifter automatisk kommer på plads (trin 3 & 4).

| | | | |
|-----|---------|-----|---------|
| H-1 | Stift | H-2 | Rille 1 |
| H-3 | Rille 2 | H-4 | Rille 3 |

TRANSPORT OG OPBEVARING

- Tag batteripakken ud af motordelen.
- Lad altid produktet køle ned, før det gemmes væk.
- Rengør produktet grundigt, før det gemmes væk.
- Produktet skal opbevares på et tørt og godt ventileret sted, der er låst og utilgængeligt for børn. Produktet må ikke opbevares på eller ved siden af kunstgødning, benzin eller andre kemikalier.

BESKYTTELSE AF MILJØET



Elektrisk udstyr, batterioplader og batterier må ikke smides ud sammen med almindelig husholdningsaffald! Tag dette produkt til en autoriseret genbrugsplads, og sørg for at det sendes til genbrug.

Elektriske maskiner skal bortskaffes på en genbrugsplads.

FEJLFINDING

| PROBLEM | ÅRSAG | LØSNING |
|--------------------------------------------------------------------------------|-----------------------------------------------------------------------------------------------------------------------------------------------------------------------------------------------------------------------|-------------------------------------------------------------------------------------------------------------------------------------------------------------------------------------------------------------------------------------|
| Motoren kører ikke. | <ul style="list-style-type: none"> ■ Batteripakken er afladet. ■ Låseknappen eller afbryderkontakten er ikke blevet brugt rigtigt. ■ Batteripakken er ikke sat helt i batterirummet. | <ul style="list-style-type: none"> ■ Oplad batteripakken. ■ Følg afsnittet "START/STOP AF MOTORDELEN" i vejledningen til motordelen. ■ Se, om batteripakken er sat rigtigt i batterirummet. |
| Maskinen laver unormale lyde. | <ul style="list-style-type: none"> ■ Affald eller fremmedlegemer, der blokerer maskinens tænder. | <ul style="list-style-type: none"> ■ Stop motoren, tag batteripakken ud, og fjern snavs eller fremmedlegemer, der gør at maskinen ikke virker ordentligt. |
| Maskinen virker ikke ordentligt, eller resultaterne er ikke tilfredsstillende. | <ul style="list-style-type: none"> ■ Græsset er for højt. | <ul style="list-style-type: none"> ■ Klip plænen, før den rives. |
| | <ul style="list-style-type: none"> ■ En samling af vådt græs sidder fast på undersiden af dækket. | <ul style="list-style-type: none"> ■ Vent med at rive plænen indtil den er tør. |
| | <ul style="list-style-type: none"> ■ Dybden er indstillet forkert. | <ul style="list-style-type: none"> ■ Juster tændernes dybde, så du får det ønskede resultat. |
| | <ul style="list-style-type: none"> ■ Slidte eller beskadigede tænder. | <ul style="list-style-type: none"> ■ Skift tænderne efter behov. |

DK

GARANTI

EGO GARANTI POLITIK

Besøg venligst hjemmesiden egopowerplus.eu for fuldstændige vilkår og betingelser for EGO's garantipolitik.

LÄS IGENOM ALLA INSTRUKTIONER!



LÄS IGENOM BRUKSANVISNINGEN

SÄKERHETSSYMBOLER

Syftet med säkerhetssymboler är att uppmärksamma eventuella faror. Säkerhetssymbolerna och förklaringarna av dessa kräver din fullständiga uppmärksamhet och förståelse. Symbolvarningarna i sig eliminerar inte några faror. Instruktionerna och varningarna som ges är inte något substitut för korrekta åtgärder för förhindrande av olyckor.

SE

⚠ VARNING: Var noga med att läsa igenom och förstå alla säkerhetsinstruktioner i denna bruksanvisning, inklusive alla varningssymboler såsom "FARA", "VARNING" och "FÖRSIKTIGHET" innan maskinen används. Underlåtenhet att läsa alla instruktioner som listas nedan kan resultera i elektrisk stöt, brand och/eller allvarlig personskada.

SYMBOLBETYDELSE

⚠ SÄKERHETSLARMSYMBOL: Indikerar FARA, VARNING ELLER FÖRSIKTIGHET. Kan användas i kombination med andra symboler eller bilder.



⚠ VARNING: Användning av något elverktyg kan resultera i att främmande föremål kastas in i dina ögon vilket kan resultera i allvarliga ögonskador. Innan elverktyget börjar användas skall alltid skyddsglasögon eller skyddsglasögon

med sidoskydd och full ansiktsskydd användas när så behövs. Vi rekommenderar att en ansiktsskydd med brett synfält används ovanpå glasögonen eller standard skyddsglasögon med sidoskydd.

SÄKERHETSINSTRUKTIONER

På den här sidan visas och beskrivs säkerhetssymboler som kan förekomma på produkten. Läs igenom, förstå och följ alla instruktioner på maskinen innan försök görs att montera och hantera den.

| | | |
|---|----------------------------------------------------------------------|------------------------------------------------------------------------------------------------------------------------|
| | Säkerhetslarm | Indikerar en potentiell risk för personskada. |
| | Läs igenom och förstå bruksanvisningen | För att minska risker för skador måste användare läsa igenom och förstå bruksanvisningen innan denna produkt används. |
| | Använd ögonskydd | Använd alltid skyddsglasögon eller säkerhetsglasögon med sidoskydd och en full ansiktsskydd när denna produkt används. |
| | VARNING - Akta dig för ivägslungade objekt, håll åskådare på avstånd | Akta dig för ivägslungade objekt - håll åskådare på avstånd. |
| | FARA - Håll undan händer och fötter | Håll undan händer och fötter. |
| | VARNING - Håll händer och fötter borta från pinnarna | Håll händer och fötter borta från pinnarna. |
| | CE | Denna produkt är i enlighet med gällande EG-direktiv. |
| | UKCA | Denna produkt uppfyller tillämpliga lagar i Storbritannien. |
| | WEEE | Förbrukade elektriska produkter får inte kastas i hushållssoporna. Lämnas in till en auktoriserad återvinningsstation. |
| | Buller | Garanterad ljudeffektnivå. Bulleremissioner för omgivningen enligt EU-direktivet. |
| V | Volt | Spänning |

| | | |
|-------------------|---------------------------------------------|--------------------------------------------------|
| | Likström (DC) | Typ eller karakteristik av ström |
| mm | Millimeter | Längd eller storlek |
| kg | Kilogram | Vikt |
| min | Minuter | Tid |
| n ₀ | Tomgångshastighet | Rotationshastighet utan belastning |
| min ⁻¹ | Varv eller fram- och tillbakagång per minut | Varvtal, slag, ythastighet, banor etc. per minut |
| RPM | Varv per minut | Rotationshastighet |
| °C | Grader Celsius | Temperatur |

⚠ VARNING: För att garantera en säker och pålitlig användning måste alla reparationer utföras av en kvalificerad servicetekniker.

ALLMÄNNA SÄKERHETSVARNINGAR FÖR BATTERIDRIVNA MASKINER

⚠ VARNING: LÄS IGENOM ALLA SÄKERHETSVARNINGAR, INSTRUKTIONER, ILLUSTRATIONER OCH SPECIFIKATIONER SOM MEDFÖLJER DENNA MASKIN. Underlåtenhet att följa alla instruktioner som listas nedan kan resultera i elektriska stötar, brand och/eller allvarliga personskador.

SPARA ALLA VARNINGAR OCH INSTRUKTIONER FÖR FRAMTIDA REFERENS.

Termen "maskin" i varningarna syftar på din nätdrivna (sladdanslutna) maskin eller batteridrivna (sladdlösa) maskin.

ARBETSPLATSSÄKERHET

- **Håll arbetsområdet rent och ordentligt upplyst.** Stökiga eller mörka områden kan leda till olyckor.
- **Använd inte maskiner i explosiva miljöer som t.ex. i närvaron av brandfarliga vätskor, gaser eller damm.** Maskiner skapar gnistor som kan antända damm eller ångor.
- **Håll barn och åskådare borta medan maskinen arbetar.** Störningarna kan göra att du tappat kontrollen.

ELEKTRISK SÄKERHET

- **Maskinens stickkontakt måste matcha uttaget. Modifiera aldrig kontakten på något sätt. Använd inte någon adapterkontakt med motordrivna verktyg som är jordade.** Stickkontakter som inte modifierats och passar i eluttaget minskar risken för elektriska stötar.
- **Undvik kroppskontakt med jordanslutna eller jordade ytor såsom rör, värmelement, spisar och kylskåp.** Det finns en ökad risk för elektrisk stöt om din kropp är jordanslutna eller jordad.
- **Använd inte maskinen vid regn eller under våta förhållanden.** Detta kan öka risken för elektriska stötar.
- **Vanvärda inte kabeln. Använd aldrig kabeln för att bära, släpa eller för att koppla ur maskinen. Håll kabeln borta från värme, olja, skarpa kanter och rörliga delar.** Skadade eller tilltraslade sladdar ökar risken för elektrisk stöt.
- **Vid användning av en maskin utomhus, använd en förlängningskabel som är avsedd för utomhusbruk.** Användning av en sladd som är lämplig för utomhusbruk minskar risken för elektriska stötar.
- **Om arbete med ett elverktyg i en fuktig lokal är oundvikligt, använd ett uttag som är skyddat med jordfelsbrytare.** Användning av en jordfelsbrytare minskar risken för elektriska stötar.

SE

PERSONLIG SÄKERHET

- **Var uppmärksam och observant samt använd sunt förnuft när du använder en maskin. Använd inte en maskin om du är trött eller under påverkan av droger, alkohol eller medicin.** Ett ögonblicks ouppmärksamhet vid användning av maskiner kan leda till allvarliga personskador.
- **Använd personlig skyddsutrustning. Använd alltid skyddsglasögon.** Minska risken för personskador genom att använda skyddsutrustning som t.ex. ansiktsmask, halkfria skyddsskor, hjälm och hörselskydd.
- **Förebygg oavsiktlig start. Se till att strömbrytaren är i frånläge innan du ansluter till strömkällan och/eller batteripaketet, plockar upp eller bär verktyget.** Att bära maskiner med fingret på strömbrytaren eller strömsatta maskiner som har strömbrytaren påslagen inbjuder till olyckor.
- **Ta bort inställningsnycklar eller skiftnycklar innan maskinen slås på.** En skiftnyckel eller en nyckel som sitter kvar på en roterande del av maskinen kan resultera i personskada.

- **Sträck dig inte för långt. Ha ordentligt fotfäste och balans hela tiden.** Detta möjliggör bättre kontroll av maskinen i oväntade situationer.
- **Klä dig på lämpligt sätt. Bär inte löst sittande kläder eller smycken. Håll hår och klädsel på avstånd från de rörliga delarna.** Löst sittande kläder, smycken och långt hår kan fastna i rörliga delar.
- **Om enheter har anslutning för dammuppsamlare och anslutningsmöjligheter, se till att de är anslutna och används på korrekt sätt.** Användning av dammuppsamlare kan minska dammrelaterade faror.
- **Låt inte vana efter regelbunden användning av apparaten göra att du blir självsäker och ignorerar verktygets säkerhetsprinciper.** En vårdslös handling kan orsaka allvarliga personskador inom bråkdelen av en sekund.

MASKINANVÄNDNING OCH SKÖTSEL

- **Tvinga inte maskinen. Använd rätt maskin för ditt arbete.** En korrekt maskin utför jobbet bättre och säkrare med den hastighet som den designats för.
- **Använd inte maskinen om strömbrytaren inte kan slås på eller stängas av.** Alla maskiner som inte kan kontrolleras med strömbrytaren är farliga och måste repareras.
- **Koppla ur kontakten från strömkällan och/eller ta bort batteripaketet, om det är löstagbart, från maskinen innan du utför justeringar, byter tillbehör eller förvarar maskiner.** Dessa förebyggande säkerhetsåtgärder minskar risken för att elverktyget startas oavsiktligt.
- **Förvara maskiner som går på tomgång utom räckhåll för barn och låt inte personer som är ovana med apparaten eller dessa instruktioner använda maskinen.** Maskiner är farliga i händerna på utbildade användare.
- **Underhålla maskiner och tillbehör. Kontrollera efter felinställning eller kärvande rörliga delar, brott på delar och alla andra tillstånd som kan påverka funktionen hos maskinen.** Om maskinen är skadad ska den repareras före användning. Många olyckor beror på dåligt underhållna maskiner.
- **Håll kapmaskiner vassa och rena.** Ordentligt underhållna kapmaskiner med vassa sågkanter är mindre sannolika att fastna och är lättare att kontrollera.
- **Använd maskinen, tillbehör, verktygsbits osv. i enlighet med dessa instruktioner och ta hänsyn till arbetsförhållanden och det arbete som ska utföras.** Om maskinen används för andra arbeten än det är

avsett för kan det resultera i farliga situationer.

- **Håll handtagen och greppytorna torra, rena och fria från olja och fett.** Hala handtag och greppytor förhindrar säker hantering och kontroll av maskinen vid oväntade situationer.

ANVÄNDNING OCH SKÖTSEL AV BATTERIMASKINEN

- **Ladda endast med den laddare som rekommenderas av tillverkaren.** En laddare som är lämplig för en typ av batteripaket kan skapa en risk för brand när den används med ett annat batteripaket.
- **Använd endast maskiner med specifikt designade batteripaket.** Användning av andra batteripaket kan medföra risk för personskador och eld.
- **När batteripaketet inte används, håll det borta från metallobjekt som t.ex. pappersgem, mynt, nycklar, spikar, skruvar och andra små metallobjekt som kan bilda en anslutning från en batterikontakt till den andra.** Kortslutning av batteriets terminaler kan orsaka brännskador eller en brand.
- **Under olämpliga förhållanden kan vätska spruta ut från batteriet. Undvik kontakt. Vid oavsiktlig kontakt, spola med vatten.** Om vätskan kommer i kontakt med ögonen, sök också läkarhjälp. Vätska som sprutar ur batteriet kan orsaka sveda och brännskador.
- **Använd inte ett batteripaket eller maskin som skadats eller modifierats.** Skadade eller modifierade batterier kan leda till oförutsägbart uppträdande som leder till brand, explosion eller risk för personskador.
- **Utsätt inte batteripaketet eller maskinen för eld eller extrema temperaturer.** Exponering av eld eller temperaturer över 130 °C kan orsaka explosion.
- **Följ alla laddningsinstruktioner och ladda inte batteripaketet eller maskinen utanför det temperaturområde som anges i instruktionerna.** Felaktig laddning eller vid temperaturer utanför angivet temperaturområde kan skada batteriet och ökar risken för brand.

SERVICE

- **Lämna in din maskin för service hos en kvalificerad servicetekniker som endast använder identiska utbytesdelar.** Det säkerställer att maskinens säkerhet bibehålls.
- **Utför aldrig service på skadade batteripaket.** Service av batteripaket bör endast utföras av tillverkaren eller auktoriserade serviceverkstäder.

VERTIKALSKÄRARE SÄKERHETSVARNINGAR

- **Undvik att använda maskinen under dåliga väderförhållanden, i synnerhet när det är risk för**

åska. Det minskar risken att bli träffad av blixten.

- **Kontrollera noggrant området om det finns vilda djur där maskinen ska användas.** Djuren kan skadas av maskinen under drift.
- **Undersök grundligt området där apparaten ska användas och ta bort alla stenar, pinnar, trådar, ben och andra främmande föremål.** Föremål som slungas iväg kan orsaka allvarliga personskador.
- **Innan du använder maskinen ska du alltid visuellt inspektera för att se om pinnarna eller pinnenheten är slitna eller skadade.** Skadade delar ökar risken för skador.
- **Behåll skydden på plats. Skydd fungera och vara korrekt monterade.** Ett skydd som är löst, skadat eller inte fungerar korrekt kan leda till personskada.
- **Hålla alla luftintag fria från skräp.** Blockerade luftintag och skräp kan leda till överhettning eller risk för brand.
- **Använd alltid halkfria och skyddande skor när du använder maskinen. Använd inte verktyget om du är barfota eller har öppna sandaler.** Detta minskar risken för skador på fötterna från kontakt med rörliga pinnarna.
- **Använd alltid långbyxor när du använder maskinen.** Exponerad hud ökar sannolikheten för skada från ivägslungade objekt.
- **Använd inte gräsklipparen i vått gräs. Gå, spring aldrig.** Detta minskar risken att du halkar och faller vilket kan leda till personskada.
- **Använd inte maskinen i alltför branta sluttningar.** Detta minskar risken för förlust av kontroll, om du halkar och faller kan det leda till personskada.
- **När du arbetar i sluttningar, var alltid säker på ditt fotfäste, arbeta alltid över sluttningarna, aldrig upp eller ner och var försiktig när du ändrar riktning.** Detta minskar risken för förlust av kontroll, om du halkar och faller kan det leda till personskada.
- **Var extra försiktig när du backar eller drar maskinen mot dig. Var alltid medveten om din omgivning.** Detta minskar risken för att snubbla under arbetet.
- **Håll endast maskinen i de isolerade greppytorna eftersom pinnarna kan komma i kontakt med dolda elledningar.** Pinnar som kommer i kontakt med en strömförande ledning kan göra att exponerade metalldelar hos elverktyget blir strömförande och kan ge användaren en elektrisk stöt.
- **Rör inte pinnarna och andra farliga rörliga delar medan de fortfarande är i rörelse.** Detta minskar risken för skador från rörliga delar.

- **När du tar bort material som har fastnat eller rengör gräsklipparen, se till att alla strömbrytare är avstängda och att batteripaketet är fränkopplat.** Övrig drift av gräsklipparen kan resultera i allvarliga personskador.

YTTERLIGARE VARNINGAR

- Använd endast med EGO motorenhet PH1400E/PH1420E/PHX1600.
- NOTERA:** Se bruksanvisningen till ditt EGO motorenhet PH1400E/PH1420E/PHX1600 för detaljerade säkerhetsregler och bruksanvisningar.

SPARA DESSA INSTRUKTIONER

SPECIFIKATIONER

SE

| | |
|----------------------------------------------------------------|------------------------------------------|
| Maximalt arbetsbredd | 355 mm |
| Obelastad hastighet (med PH1420E) | Låg: 2600 RPM |
| | Hög: 3000 RPM |
| Djupinställning | 3 positioner |
| Schaktningsdjup | 0 / 10 mm / 20 mm |
| Rekommenderad drifttemperatur | 0 °C – 40 °C |
| Rekommenderad förvaringstemperatur | - 20 °C – 70 °C |
| Uppmätt ljudeffektnivå L_{WA} | 88 dB(A) K=2 dB(A) (PH1400E) |
| | 88,49 dB(A) K=0,81 dB(A) (PH1420E) |
| | 90 dB(A) K=0,9 dB(A) (PHX1600) |
| Ljudtrycksnivå vid operatörens öra L_{PA} | 82 dB(A) K=3 dB(A) (PH1400E) |
| | 79,8 dB(A) K=3 dB(A) (PH1420E) |
| | 82 dB(A) K=3 dB(A) (PHX1600) |
| Garanterad ljudtrycksnivå L_{WA} (uppmätt enligt 2000/14/EG) | 92 dB(A) |

| | | |
|-----------------------------------|----------------|--------------------------------------------------------------|
| Värdering av vibration a_n | Framre handtag | 2,35 m/s ² K=1,5 m/s ² (PH1400E) |
| | | 2,36 m/s ² K=1,5 m/s ² (PH1420E) |
| | | 2,63 m/s ² K=1,5 m/s ² (PHX1600) |
| | Rear handle | 2,66 m/s ² K=1,5 m/s ² (PH1400E) |
| | | 2,24 m/s ² K=1,5 m/s ² (PH1420E) |
| | | 1,74 m/s ² K=1,5 m/s ² (PHX1600) |
| Vikt (med cylinder för avluftare) | | 7,4 kg |

- Ovanstående parametrar har testats och utmätts med motorenhet PH1400E/PH1420E/PHX1600.
- Det deklarerade totala vibrationsvärdet har uppmätts i enlighet med en standardtestmetod och kan användas för att jämföra ett verktyg med ett annat.
- Det deklarerade totala vibrationsvärdet kan också användas i en preliminär utvärdering av exponeringen.

⚠ VARNING: Vibrationsutstrålningen under verklig användning av elverktyg kan skilja sig från det deklarerade värdet i vilken verktyget används. För att skydda användaren skall skyddshandskar och hörselskydd användas under faktiska användningsförhållandet.

⚠ VARNING: Behovet av att identifiera säkerhetsåtgärder för att skydda operatören som baseras på en uppskattning av exponeringen under de faktiska användningsförhållandena (med beaktande av alla delar av driftscykeln, t.ex. de tider då verktyget stängs av och när det körs på tomgång utöver utlösningstiden).

BESKRIVNING

LÄR KÄNNA DITT KANTSKÄRARE-TILLBEHÖR (bild A)

1. Ändlock (2)
2. Tillbehörets axel
3. Nedre hölje
4. Hjul

5. Övre hölje
6. Spak för djupjustering
7. Utkastarskydd
8. Skrapskena
9. 4 mm insexnyckel
10. 5 mm insexnyckel
11. Räfspinne
12. Vertikalskärarcylinder

MONTERING

⚠ VARNING: Om någon del är skadad eller saknas ska inte denna produkt användas innan delarna ersatts. Användning av denna produkt om den är skadad eller saknar delar kan resultera i allvarliga personskador.

⚠ VARNING: Försök inte att modifiera denna produkt eller skapa tillbehör som inte rekommenderas för användning med denna produkt. Alla sådana ändringar eller modifieringar är missbruk och kan resultera i allvarliga situationer som kan leda till allvarliga personskador.

ANSLUTNING AV FÄSTAXELN TILL DETHATCHER-SAMMANBYGGNADEN (BILD B)

| | | | |
|-----|-------------------|-----|-------------|
| B-1 | M5 Bult | B-4 | Hål |
| B-2 | Bult | B-5 | Skruvhål |
| B-3 | Tillbehörets axel | B-6 | Nedre hölje |

1. Lägg vertikalskäraren upp och ner på ett stabilt och plant underlag.
2. Ta bort ändlocket från tillbehörets axel.
3. Med hålet på påbyggnadsaxeln vänt uppåt, för in påbyggnadsaxeln så långt det går i påbyggnadsdelens nedre kåpa. Rikta in hålet på nedre höljets med hålet på tillbehörets axel.
4. Använd den medföljande 4 mm sexkantsnyckeln för att fästa den nedre kåpan på fästaxeln med M5-bulten.
5. Dra åt de två förinstallerade bultarna till den nedre kåpan ordentligt.

⚠ VARNING: Säkerställ att låsratten är helt åtdragen innan utrustningen används. Kontrollera regelbundet att den är åtdragen före användning för att undvika allvarliga personskador.

ANSLUTA KANTSKÄRARE-TILLBEHÖRET TILL MOTORENHETEN

Denna vertikalskärartillsats är utvecklat för användning med EGO-motorenhet PH1400E/PH1420E/PHX1600.

Se sektionen "MONTERA ETT TILLBEHÖR TILL MOTORENHETEN" i motorenheten PH1400E/PH1420E/PHX1600 bruksanvisning.

DRIFT

⚠ VARNING: Bli inte vårdslös bara för att du är bekant med denna produkt. Kom ihåg att oaksamhet under en bråkdel av en sekund är tillräcklig för att orsaka allvarliga skador.

⚠ VARNING: Använd alltid skyddsglasögon. Om inte så görs kan det resultera i att föremål kastas in i ögonen och andra möjliga allvarliga skador.

⚠ VARNING: För att förhindra allvarliga personskador, ta ut batteripaketet före service, rengöring, ändring av tillbehör eller borttagning av material från enheten.

⚠ VARNING: Använd inga andra tillsatser eller tillbehör än de som rekommenderas av tillverkaren av denna produkt. Användning av tillbehör eller tillsatser som inte rekommenderas kan resultera i allvarlig personskada.

TILLÄMPNINGAR

Ta bort gamla, torkade sticklingar, mossor, gräs- och rotrester från gräsmattan.

STARTA/STOPPA VERTIKALSKÄRAREN

Innan vertikalskäraren används

⚠ VARNING: För att undvika allvarliga personskador, använd alltid ögonskydd eller skyddsglasögon vid användning av denna enhet. Använd en ansikts- eller dammask på dammiga platser. Använd lämpliga kläder och skor under drift för att minska risken för skador som kan orsakas av flygande skräp.

- Inspektera produkten noggrant för skador innan du använder den. Använd inte produkten om den är skadad eller utslitet.
- Se till att gräsmattan är fri från stenar, pinnar, trådar eller andra föremål som kan skada produkten.
- Klipp gräsmattan före arbetet och gödsla efteråt.

Användningstips

För att en frisk gräsmatta ska kunna utvecklas på våren krävs det att större mängder luft tränger in i området runt gräsrötterna. Vi rekommenderar att du vertikalskär gräsmattan minst två gånger per år, på våren eller hösten beroende på hur din gräsmatta ser ut.

- Klipp inte sluttningar med större lutning än 15 grader. Arbeta långsamt med sluttningar aldrig uppåt och nedåt. Var extra försiktig när du byter riktning i sluttningar.
- Arbeta inte med den här produkten på en våt gräsmatta eftersom vått gräs tenderar att fastna på däckets och pinnarna, och det kan också leda till att du halkar och ramlar.
- Håll alltid produkten stadigt med båda händerna. Håll handtagen torra för att garantera ett säkert stöd.
- Skjut långsamt produkten framåt. Flytta produkten med lämplig hastighet. Rör den inte för snabbt för att förhindra att pinnarna fastnar och orsakar överbelastning av motorn.
- Stäng omedelbart av produkten om andra personer kommer in i arbetsområdet. Vänta alltid tills verktyget helt har stannat helt innan du lägger ner den.
- Överarbete inte. Ta regelbundna pauser så att du kan koncentrera dig på arbetet och ha full kontroll över maskinen.
- Arbeta i lätt överlappande rader. Det mest effektiva mönstret är raka linjer längs en av sidorna (bild C). Detta gör att raderna blir jämna och att hela gräsmattan blir rensad utan att missa några fläckar.
- Var särskilt uppmärksam när du byter riktning.
- Var alltid stadig på foten. Att halka eller falla kan orsaka allvarliga personskador. Om du känner att du tappat balansen ska du omedelbart stänga av motorn.
- Klipp inte nära branta sluttningar, diken eller jordvallar, du kan förlora fotfästet eller balansen.

STARTA/STOPPA VERTIKALSKÄRARTILLSATSEN

Se avsnittet "STARTA/STOPPA MOTORENHETEN" i bruksanvisningen för motorenhet PH1400E/PH1420E/PHX1600.

⚠ VARNING: Stoppa maskinen om produkten ska lutas för transport, när andra ytor än gräs korsas och när apparaten transporteras från ett område till ett annat som ska klippas.

⚠ VARNING: Luta inte produkten när du slår på motorn, förutom om produkten måste lutas för start. I detta fall luta inte mer än nödvändigt och lyft endast den del som är längst bort från användaren.

Kontrollera om pinnarna är blockerade

- För att förhindra blockering, rengör maskinens undersida före och efter varje användning för att avlägsna eventuellt ansamlat skräp.
- När en blockering inträffar, stoppa maskinen och ta bort batteriet, ta sedan bort all ansamling av gräs och löv på eller runt pinnarna och däckets. Torka rent maskinen med en fuktig trasa.

SE

JUSTERA DJUPET (bild D)

⚠ VARNING: Håll fötter undan från däckets när höjden ställs in.

Skärdjupet kan ställas in på 3 djuplägen:

1 och 2: driftposition

3: transportposition

Justera djupet efter din gräsmattas behov.

1. Stäng ut maskinen och vänta tills maskinen stannat helt.
2. Ta ut batteripaketet.
3. Dra den främre eller bakre spaken för djupinställning ur spärrhaken och ställ in den i önskat läge.

SE

| | | | |
|-----|------------------------|-----|--------------|
| D-1 | Spak för djupjustering | D-2 | Djupposition |
|-----|------------------------|-----|--------------|

UNDERHÅLL

⚠ VARNING: Före inspektion, rengöring eller service av enheten, stoppa motorn, vänta tills alla rörliga delar har stoppats och ta sedan ut batteripaketet. Underlåtenhet att följa dessa instruktioner kan resultera i allvarliga personskador eller skada på egendom.

⚠ VARNING: Använd alltid ögonskydd med sidoskärmar. Om inte så görs kan det resultera i att föremål kastas in i ögonen och andra möjliga allvarliga skador.

⚠ VARNING: Vid service ska enbart identiska utbyteskomponenter användas. Om andra delar används kan det skapa en fara eller orsaka produktskador. För att säkerställa produktens säkerhet och pålitlighet måste alla reparationer, förutom de som anges i dessa underhållsinstruktioner, utföras av en behörig servicetekniker.

⚠ VARNING: Efter att ett främmande föremål träffats, stoppa maskinen och ta ur batteripaketet för att säkerställa att alla rörliga delar har stannat helt. Inspektera maskinen efter skador och utför reparationer innan du använder maskinen igen.

⚠ VARNING: Om maskinen börjar vibrera onormalt, stoppa maskinen och avlägsna batteripaketet för att säkerställa att alla rörliga delar har stannat helt. Kontrollera sedan omedelbart om det finns några skador, byt ut eller reparera skadade delar och kontrollera om det finns några lösa delar och dra åt dem.

⚠ VARNING: Var försiktig vid justeringar av produkten för att förhindra att fingrar fastnar mellan rörliga knivar och fasta delar på produkten.

RENGÖRING

⚠ VARNING: Vid rengöring av vertikalskäraren, sänk INTE ned den i vatten eller annan vätska.

Använd inte lösningsmedel när du rengör plastdelarna. De flesta plaster är känsliga för skador från olika typer av kommersiella lösningsmedel och kan skadas av dess användning. Använd rena trasor för att ta bort smuts, damm, olja, fett osv.

SMÖRJNING

Alla lager i denna produkt är smorda med tillräcklig mängd höggradigt smörjmedel för enhetens livslängd under normala driftförhållanden. Därför behövs ingen ytterligare smörjning av lagren.

BYTA UT CYLINDERN

⚠ VARNING: Ta alltid ut batteripaketet ur maskinen och vänta tills pinn cylindern stannat helt innan du utför något underhåll. Använd alltid skyddshandskar vid hantering av pinnarna.

För att ta bort cylindern

1. Ta ut batteripaketet från motorenheten.
2. Lägg tillbehöret upp och ner på ett plant och stabilt underlag.
3. Använd den medföljande 5 mm sexkantsnyckeln för att lossa och ta bort de två låsbultarna på lagersätet på vertikalskärarcylindern (bild E1).
4. Skjut vertikalskärarens cylinder åt vänster tills splinesaxeln på höger sida dras ut från maskinens splinesnav (bild E2).
5. Ta bort vertikalskärarens cylinder från maskinen (Bild e3).

| | | | |
|------|-------------|------|------------------------|
| E1-1 | Lagersäte | E1-2 | Vertikalskärarcylinder |
| E2-1 | Spindelaxel | E2-2 | Spindelnav |

Installera den nya cylindern

1. Placera den nya cylinderns lagersäte på maskinens bas och skjut cylindern åt vänster så långt det går (bild F1).
2. Rikta in och för in splinesaxeln på cylinderns högra sida i maskinens splinesnav (bild F2).
3. Rikta in de två hålen på lagersätet mot hålen på basen och fäst lagersätet vid basen med låsbultarna (bild F3).

BYTE AV RÄFSPINNARNA

Vid normal användning kan räfspinnar slitas eller gå sönder med tiden. När justeringen av pinndjupet inte längre ger rätt mängd schaktning, eller om en pinne går sönder, följ stegen nedan för att byta ut pinnarna.

Borttagning av pinnarna

1. Ta ut batteripaketet från motorenheten.
2. Lägg tillbehöret upp och ner på ett plant och stabilt underlag.
3. Skjut in de två pinnarna på räfspinnen i cylinderns spår 1 och dra av räfspinnarna från vertikalskärarcylindern enligt bild G.

| | | | |
|-----|-------|-----|--------|
| G-1 | Stift | G-2 | Spår 1 |
|-----|-------|-----|--------|

SE

För att installera pinnarna (bild H)

1. För in stiftet på räfspinnen i skåran 1 på cylindern (steg 1).
2. För in räfspinnens säte i cylinderns spår 2 (steg 2).
3. För in pinnens två stift i skåran 1, skjut framåt till positionen vid skåran 3 och de två stiftet kommer automatiskt att studsas tillbaka på plats (steg 3 och 4).

| | | | |
|-----|--------|-----|--------|
| H-1 | Stift | H-2 | Spår 1 |
| H-3 | Spår 2 | H-4 | Spår 3 |

TRANSPORT OCH FÖRVARING

- Ta ut batteripaketet från motorenheten.
- Låt alltid maskinen svalna före förvaring.
- Rengör produkten noga innan förvaring.
- Förvara produkten på en torr, välventilerad plats, inlåst eller högt upp, utom räckhåll för barn. Förvara inte produkten på eller i anslutning till gödningsmedel, bensin eller andra kemikalier.

SKYDDA MILJÖN



Kasta inte elektrisk utrustning, använt batteri och laddare i hushållssoporna! Ta denna produkt till en auktoriserad återvinnare och gör den tillgänglig för separat insamling. Elektriska verktyg måste returneras till en miljöanpassad återvinningsanläggning.



FELSÖKNING

| PROBLEM | ORSAK | LÖSNING |
|---------------------------------------------------------------------------------|-----------------------------------------------------------------------------------------------------------------------------------------------------------------------------------------------------------------------|--------------------------------------------------------------------------------------------------------------------------------------------------------------------------------------------------------------------------------------------------------|
| Motorn startar inte | <ul style="list-style-type: none">▪ Batteripaketets laddning är slut.▪ Spårknappen eller avtryckaren användes inte korrekt.▪ Batteripaketet är inte ordentligt isatt i batterifacket. | <ul style="list-style-type: none">▪ Ladda batteripaketet.▪ Se avsnittet "STARTA/ STOPPA MOTORENHETEN" i bruksanvisningen för motorenheten.▪ Kontrollera att batteripaketet är ordentligt isatt i batterifacket. |
| Maskinen ger ifrån sig onormala ljud. | <ul style="list-style-type: none">▪ Skräp eller främmande föremål hindrar maskinens pinnar. | <ul style="list-style-type: none">▪ Stoppa motorn, ta bort batteripaketet och avlägsna skräp eller främmande föremål som hindrar maskinen från att fungera korrekt. |
| Maskinen fungerar inte som den ska eller resultaten är inte tillfredsställande. | <ul style="list-style-type: none">▪ Gräset är vått. | <ul style="list-style-type: none">▪ Klipp gräsmattan före upptagningen. |
| | <ul style="list-style-type: none">▪ Vått gräsklipp har fastnat på undersidan av däck. | <ul style="list-style-type: none">▪ Vänta tills gräset torkar innan klippning. |
| | <ul style="list-style-type: none">▪ Djupet är felaktigt inställt. | <ul style="list-style-type: none">▪ Justera pinnarnas djup för att uppnå önskat resultat. |
| | <ul style="list-style-type: none">▪ Pinnar är slitna eller skadade. | <ul style="list-style-type: none">▪ Byt ut pinnarna efter behov. |

SE

GARANTI

EGO GARANTIPOLICY

Besök webbsidan egopowerplus.eu för fullständiga villkor för EGO garantipolicy.

LUE KAIKKI OHJEET!



LUE KÄYTTÖOPAS

TURVALLISUUSSYMBOLIT

Turvallisuussymbolien tarkoituksena on kiinnittää huomiota mahdollisiin vaaroihin. Turvallisuussymbolit ja niiden selitykset on syytä lukea tarkkaan ja ymmärtää perusteellisesti. Varoitussymbolit eivät yksin poista vaaran mahdollisuutta. Niiden antamat ohjeet ja varoitukset eivät korvaa kunnollisia onnettomuuksien ehkäisytimenpiteitä.

VAROITUS: Lue ja ymmärrä tämän käyttöoppaan kaikki turvallisuusohjeet, mukaan lukien turvallisuusvaroitussymbolit, kuten "VAARA", "VAROITUS" ja "HUOMIO" ennen koneen käyttämistä. Alla olevien ohjeiden noudattamatta jättäminen saattaa aiheuttaa sähköiskun, tulipalon ja/tai vakavan henkilövahingon.

SYMBOLIEN MERKITYKSET

TURVALLISUUSHÄLYTYKSEN SYMBOLI: Ilmaisee VAARAA, VAROITUSTA TAI HUOMIOTA. Saatetaan käyttää yhdessä muiden symboleiden tai kuvien kanssa.



VAROITUS: Minkä tahansa koneen käyttö saattaa aiheuttaa vierasesineiden sinkoutumisen silmiin, mikä voi aiheuttaa vakavia silmävammoja. Käytä aina suojalaseja, joissa on sivusuojat, ja tarvittaessa

koko kasvat peittävää suojaa, kun käytät konetta. Silmälasiin päällä suosittelemme käytettäväksi suojamaskia, jossa on laaja näkökenttä, tai tavallisia suojalaseja, joissa on sivusuojat.

TURVALLISUUSOHJEET

Tällä sivulla kuvataan ja esitellään turvallisuussymbolit, jotka saattavat esiintyä tässä tuotteessa. Lue, ymmärrä ja noudata kaikkia laitteen ohjeita ennen kuin yrität koota sen tai käyttää sitä.

| | | |
|--|-----------------------------------------------------------------|-------------------------------------------------------------------------------------------------------------------|
| | Turvallisuushälytys | Osoittaa mahdollista henkilövahingon vaaraa. |
| | Lue ja ymmärrä käyttöopas | Käyttäjän on luettava ja ymmärrettävä käyttöopas ennen tämän laitteen käyttöä loukkaantumisvaaran vähentämiseksi. |
| | Käytä silmäsuojaimia | Käytä aina suojalaseja tai sivusuojilla varustettuja suojalaseja ja kokonaamaaria, kun käytät tätä tuotetta. |
| | VAROITUS – varo sinkoutuvia kohteita – pidä sivulliset loitolla | Varoittaa käyttäjää sinkoutuvista kohteista – pidä sivulliset loitolla. |
| | VAARA – pidä kädet ja jalat etäällä | Varoittaa käyttäjiä pitämään kädet ja jalat etäällä. |
| | VAROITUS – pidä kädet ja jalat etäällä piikeistä | Varoittaa käyttäjiä pitämään kädet ja jalat etäällä piikeistä. |
| | CE | Tämä tuote vastaa sovellettavia EU-direktiivejä. |
| | UKCA | Tämä tuote vastaa sovellettavaa UK-lainsäädäntöä. |
| | WEEE | Vanhoja sähkölaitteita ei saa hävittää kotitalousjätteen mukana. Vie laite valtuutettuun kierrätyslaitokseen. |
| | Melu | Taattu äänitehotaso. Melupäästöt ympäristöön Euroopan yhteisön direktiivin mukaiset. |
| | Voltti | Jännite |
| | Tasavirta (DC) | Virran tyyppi tai ominaisuus |

FI

| | | |
|-------------------|-------------------------------------------------|-------------------------------------------------------------|
| mm | Millimetri | Pituus tai koko |
| kg | Kilogramma | Paino |
| min | Minuutti | Aika |
| n ₀ | Tyhjäkäyntinopeus | Pyörimisnopeus ilman kuormaa |
| Min ⁻¹ | Kierrokset tai edestakaiset liikkeet minuutissa | Kierrokset, iskut, pinnanopeus, kiertoradat jne. minuutissa |
| RPM | Kierrosta minuutissa | Pyörimisnopeus |
| °C | Celsius-astetta | Lämpötila |

FI

VAROITUS: Pätevän huoltoteknikon tulee suorittaa kaikki korjaukset, jotta voidaan taata tuotteen turvallinen ja luotettava käyttö.

YLEISET AKKUKÄYTTÖISEN KONEEN TURVALLISUUSVAROITUKSET

VAROITUS: LUE KAIKKI TÄMÄN KONEEN MUKANA TULLEET TURVALLISUUSVAROITUKSET, OHJEET, PIIRUSTUKSET JA TEKNISET TIEDOT. Jos kaikkia alla olevia ohjeita ei noudateta, seurauksena saattaa olla sähköisku, tulipalo ja/tai vakava loukkaantuminen.

SÄILYTTÄ KAIKKI VAROITUKSET JA OHJEET MYÖHEMPÄÄ KÄYTTÖÄ VARTEN.

Varoituksissa termillä ”kone” tarkoitetaan verkkovirtakäyttöistä (johdollista) tai akkukäyttöistä (johdotonta) konetta.

TYÖALUEEN TURVALLISUUS

- **Pidä työskentelyalue siistinä ja hyvin valaistuna.** Sotkuiset tai pimeät alueet aiheuttavat onnettomuuksia.
- **Älä käytä koneita räjähdysherkässä ympäristössä, kuten esimerkiksi syttyvien nesteiden, bensiinin tai pölyjen lähellä.** Koneet saattavat aiheuttaa kipinöitä, jotka voivat syyttää pölyn tai höyryt.
- **Älä päästä lapsia tai sivullisia lähelle, kun käytät konetta.** Häiriötekijät voivat aiheuttaa hallinnan menettämisen.

SÄHKÖTURVALLISUUS

- **Koneen pistokkeiden on vastattava pistorasiaa. Älä ikinä muokkaa pistotulppaa millään tavalla. Älä käytä minkäänlaisia sovittipistokkeita maadoitettujen koneiden kanssa.** Muokkaamattomat pistokkeet ja niihin sopivat pistorasiat vähentävät sähköiskun vaaraa.
- **Vältä koskemasta vartalollasi maadoitettuihin pintoihin, kuten putkiin, lämmityspattereihin, liesiin ja jääkaappeihin.** Sähköiskun riski kasvaa, jos kehosi on maadoitettu.
- **Älä käytä konetta sateessa tai märissä olosuhteissa.** Tämä voi lisätä sähköiskun vaaraa.
- **Älä väärinkäytä johtoa. Älä ikinä käytä johtoa koneen kantamiseen, vetämiseen tai pistokkeen irrottamiseen.** Pidä johto poissa tulen, öljyn, terävien reunojen tai liikkuvien osien läheltä. Vahingoittuneet tai sotkeutuneet johdot lisäävät sähköiskun vaaraa.
- **Kun käytät konetta ulkona, käytä ulkokäyttöön tarkoitettua jatkojohtoa.** Ulkokäyttöön tarkoitettun johdon käyttö vähentää sähköiskun vaaraa.
- **Jos et voi välttää sähkötyökoneen käyttöä kosteissa olosuhteissa, käytä vikavirtasuojakytkimellä (vvs) varustettua pistorasiaa.** Vikavirtasuojakytkimen käyttö vähentää sähköiskuriskiä.

HENKILÖKOHTAINEN TURVALLISUUS

- **Ole valpas, tarkkaavainen ja käytä maalaisjärkeä, kun käytät konetta. Älä käytä konetta, kun olet väsynyt tai kun olet huumeiden, alkoholin tai lääkityksen vaikutuksen alaisena.** Hetkellisenkin huomion herpaantuminen koneita käytettäessä saattaa aiheuttaa vakavan henkilövahingon.
- **Käytä henkilönsuojaimia. Käytä aina silmäsuojaimia.** Suojavarusteiden, kuten hengityssuojaimen, luistamattomien turvakenkien, suojakypärän tai kuulosuojaimien, käyttö tarvittaessa vähentää loukkaantumisvaaraa.
- **Estä vahingossa käynnistyminen. Varmista, että kytkin on off-asennossa, ennen kuin liität virtalähteen ja/tai akun, nostat koneen tai kannat sitä.** Koneiden kantaminen sormi virtakytkimellä tai virta kytkettynä olevan koneen liittäminen pistorasiaan muodostaa onnettomuusvaaran.
- **Poista kaikki säätöön käytetyt avaimet tai kiintoavaimet ennen kuin käynnistät koneen.** Koneen pyöriivään osaan jätetty avain tai kiintoavain saattaa aiheuttaa henkilövahingon.

- **Älä kurkottele. Säilytä aina tukeva asento ja hyvä tasapaino.** Näin hallitset koneen parhaalla mahdollisella tavalla odottamattomissa tilanteissa.
- **Pukeudu asianmukaisesti. Älä käytä välijiä vaatteita tai koruja. Pidä hiukset ja vaatteet etäällä liikkuvista osista.** Väljät vaatteet, korut tai pitkät hiukset voivat takertua liikkuviin osiin.
- **Jos laitteissa on liitännät pölynpoistolaitteille ja keräilylaitteille, varmista, että ne on liitetty ja niitä käytetään oikein.** Pölynpoistolaitteiden käyttö vähentää pölyn liittyviä vaaroja.
- **Älä anna koneiden tuttuuden toistuvan käytön takia tehdä sinua liian itsevarmaksi, äläkä jätä koneiden turvallisuusohjeita noudattamatta.** Huolimaton toiminta voi aiheuttaa vakavan henkilövahingon sekunnin murto-osassa.

KONEEN KÄYTTÖ JA HOITO

- **Älä pakota konetta. Käytä omaan käyttötarkoitukseesi soveltuva konetta.** Oikea kone suoriutuu parhaiten ja turvallisimmin tehtävästä sille tarkoitetulla nopeudella.
- **Älä käytä konetta, jos sitä ei saa käynnistettyä ja sammutettua kytkimellä.** Koneen, jota ei voida hallita kytkimellä, käyttö on vaarallista ja se on korjattava.
- **Irrota pistotulppa virtalähteestä ja/tai irrota akku koneesta, jos irrotettavissa, ennen kuin teet mitään säätöjä, vaihdat apuvälineitä tai laitat koneen varastoon.** Nämä ennaltaehkäisevät turvallisuustoimenpiteet vähentävät koneen vahingossa käynnistymisen riskiä.
- **Säilytä käyttämättömänä oleva kone lasten ulottumattomissa, äläkä anna henkilöiden, jotka eivät tunne konetta tai näitä ohjeita, käyttää konetta.** Koneet ovat vaarallisia kokemattomien käyttäjien käsissä.
- **Pidä koneet ja lisävarusteet kunnossa. Tarkista, että liikkuvat osat ovat kunnolla paikallaan, että osat ovat ehjiä, ja että koneessa ei ole muita ongelmia, jotka saattaisivat vaikuttaa sen toimintaan.** Jos kone on vaurioitunut, korjauta se ennen käyttöä. Monet onnettomuudet johtuvat huonosti huolletuista koneista.
- **Pidä leikkuukoneet terävinä ja puhtaina.** Oikein huolletut leikkuukoneet, joissa on terävät leikkuureunat, eivät todennäköisesti jumiudu, ja niitä on helpompi hallita.
- **Käytä konetta, lisävarusteita ja koneen teriä ym. näiden ohjeiden mukaisesti ja siten, että otat huomioon käyttöolosuhteet ja tehtävän työn.** Koneen käyttö muuhun kuin sille suunniteltuun

tarkoitukseen saattaa aiheuttaa vaaratilanteen.

- **Pidä kahvat ja tartuntapinnat kuivina, puhtaina, öljyttöminä ja rasvattomina.** Liukkaat kahvat ja tartuntapinnat eivät mahdollista koneen turvallista käsittelyä ja hallintaa odottamattomissa tilanteissa.

AKKUKÄYTTÖISEN KONEEN KÄYTTÖ JA HOITO

- **Lataa vain valmistajan määrittelemällä laturilla.** Laturi, joka sopii yhdyntyyppiselle akulle voi aiheuttaa tulipalovaaran, jos sitä käytetään toisenlaisen akun kanssa.
- **Käytä koneissa vain erityisesti niihin tarkoitettuja akkuja.** Muunlaisten akkujen käyttö saattaa aiheuttaa henkilövahingon tai tulipalon vaaran.
- **Kun akku ei ole käytössä, pidä se erillään metalliesineistä, kuten paperiliittimet, kolikot, avaimet, naulat, ruuvit ja muut pienet metalliesineet, jotka voivat yhdistää akun navat toisiinsa.** Akun napojen oikosulku voi aiheuttaa palovammoja tai tulipalon.
- **Akusta voi valua nestettä väärästä käytöstä johtuen. Vältä kosketusta nesteeseen. Jos kosket nesteeseen vahingossa, huuhtelee vedellä.** Jos nestettä pääsee silmiin, hakeudu lääkärin hoitoon. Akusta valuva neste voi aiheuttaa ärsytystä tai palovammoja.
- **Älä käytä akkua tai konetta, joka on vaurioitunut tai jota on muutettu.** Vaurioituneet tai muutetut akut voivat käyttäytyä arvaamattomasti ja aiheuttaa tulipalon, räjähdyksen tai henkilövahingon vaaran.
- **Älä altista akkua tai konetta tulelle tai äärimmäisille lämpötiloille.** Altistaminen tulelle tai yli 130 °C:n lämpötilalle voi aiheuttaa räjähdyksen.
- **Noudata kaikkia latausohjeita, äläkä lataa akkua tai konetta lämpötilassa, joka ei ole ohjeissa ilmoitetun lämpötila-alueen sisällä.** Virheellinen lataaminen tai lataaminen ilmoitetun lämpötila-alueen ulkopuolella olevassa lämpötilassa voi vaurioittaa akkua ja lisätä palovaaraa.

HUOLTO

- **Huollata kone asiantuntevalla korjaajalla, joka käyttää vain identtisiä varaosia.** Tällä varmistetaan, että koneen turvallisuus säilyy.
- **Älä koskaan huolla vaurioituneita akkuja.** Akkujen huollon saa tehdä vain valmistaja tai sen valtuuttamat huoltoliikkeet.

SAMMALENREPIJÄN TURVALLISUUSVAROITUKSET

- **Vältä koneen käyttämistä huonoissa sääolosuhteissa, etenkin jos on salamointivaara.**

Tämä vähentää salamaniskun vaaraa.

- **Tarkista koneen käyttöalue huolellisesti eläinten varalta.** Eläimet voivat loukkaantua koneesta käytön aikana.
- **Tarkista koneen käyttöalue huolellisesti ja poista kaikki kivet, oksat, rautalangat, luut ja muut vieraat esineet.** Sinkoutuvat esineet voivat aiheuttaa henkilövahinkoja.
- **Tarkista aina silmämääräisesti ennen koneen käyttöä, että piikit ja piikkikokoonpano eivät ole kuluneet tai vaurioituneet.** Kuluneet tai vaurioituneet osat lisäävät loukkaantumisriskiä.
- **Pidä suojukset paikoillaan. Suojusten on oltava toimintakunnossa ja asianmukaisesti kiinnitettyjä.** Löysä, vahingoittunut tai virheellisesti toimiva suojusta voi aiheuttaa henkilövahinkoja.
- **Huolehdi, että viilennykseen käytettävien ilmanottoaukkojen edessä ei ole irtainesta.** Tukkeutuneet ilmanottoaukot ja roskat voivat johtaa ylikuumenemiseen tai tulipalovaaraan.
- **Käytä konetta käyttäessäsi aina luistamattomia suojajalkineita. Älä käytä konetta paljain jaloin tai käyttäen avosandaaleja.** Tämä vähentää jalkojen loukkaantumisvaaraa liikkuvien terien kosketuksesta.
- **Käytä konetta käyttäessäsi aina pitkälahkeisia housuja.** Paljas iho lisää sinkoutuvien esineiden aiheuttaman loukkaantumisen todennäköisyyttä.
- **Älä käytä konetta märässä ruuhossa. Kävele, älä juokse.** Tämä vähentää liukastumisen ja kaatumisen vaaraa, mikä voi johtaa henkilövahinkoihin.
- **Älä käytä konetta liian jyrkissä rinteissä.** Tämä vähentää hallinnan menettämisen, liukastumisen ja kaatumisen vaaroja, mitkä voivat johtaa henkilövahinkoihin.
- **Kun työskentelet rinteissä, varmista aina hyvä alusta, työskentele aina poikittain rinteissä, älä koskaan ylös tai alas ja ole erityisen varovainen vaihtaessasi suuntaa.** Tämä vähentää hallinnan menettämisen, liukastumisen ja kaatumisen vaaroja, mitkä voivat johtaa henkilövahinkoihin.
- **Ole erittäin varovainen, kun peruutat tai vedät konetta itseäsi kohti. Ole aina tietoinen ympäristöstäsi.** Tämä vähentää kompastumisriskiä käytön aikana.
- **Tartu koneeseen vain eristetyistä tartuntapinnoista, koska piikit voivat osua piilossa olevaan sähköjohtoon.** Piikkien kosketus ”jännitteeseen” johtoon saattaa tehdä koneen metalliosat ”jännitteisiksi” ja aiheuttaa sähköiskun käyttäjälle.

- **Älä koske piikkeihin tai muihin vaarallisiin liikkuviin osiin silloin, kun ne ovat vielä liikkeessä.** Tämä vähentää liikkuvien osien aiheuttamaa loukkaantumisvaaraa.
- **Kun poistat juuttunutta materiaalia tai puhdistat konetta, varmista, että kaikki virtakytkimet ovat pois päältä ja akku on irrotettu.** Koneen odottamaton käynnistyminen voi aiheuttaa vakavia henkilövahinkoja.

LISÄVAROITUKSIA

- Käytä vain EGO-akkupäiden PH1400E/PH1420E/PHX1600 kanssa.
HUOMAA: Katso EGO-akkupäiden PH1400E/PH1420E/PHX1600 käyttöoppaista yksityiskohtaiset turvallisuus säännöt ja käyttöohjeet.

SÄILYTÄ NÄMÄ OHJEET

TEKNISET TIEDOT

| | |
|---------------------------------|--------------------------------------------|
| Suurin käyttöleveys | 355 mm |
| Tyhjäkäyntinopeus (kun PH1420E) | Matala: 2600 RPM |
| | Korkea: 3000 RPM |
| Syvyden säätö | 3 asentoa |
| Irrotussyvyys | 0 / 10 mm / 20 mm |
| Suosittelut käyttölämpötila | 0 – 40 °C |
| Suosittelut säilytyslämpötila | -20 – 70 °C |
| Mitattu äänitehotaso L_{WA} | 88 dB (A) K=2 dB(A) (PH1400E) |
| | 88,49 dB (A) K=0,81 dB (A) (PH1420E) |
| | 90 dB (A) K=0,9 dB (A) (PHX1600) |

| | | |
|---------------------------------------------------------------|----------------------------------------|--------------------------------------------------------------|
| Äänenpaineen taso käyttäjän korvien tasolla L_{PA} | 82 dB (A) K=3 dB (A) (PH1400E) | |
| | 79,8 dB (A) K=3 dB (A) (PH1420E) | |
| | 82 dB (A) K=3 dB (A) (PHX1600) | |
| Taattu äänentehotaso L_{WA} (mitattu 2000/14/EY mukaisesti) | 92 dB (A) | |
| Tärinäarvo a_h | Etuapukahva | 2,35 m/s ² K=1,5 m/s ² (PH1400E) |
| | | 2,36 m/s ² K=1,5 m/s ² (PH1420E) |
| | | 2,63 m/s ² K=1,5 m/s ² (PHX1600) |
| | Rear handle | 2,66 m/s ² K=1,5 m/s ² (PH1400E) |
| | | 2,24 m/s ² K=1,5 m/s ² (PH1420E) |
| | | 1,74 m/s ² K=1,5 m/s ² (PHX1600) |
| Paino (sammalenrepijän sylinterin kanssa) | 7,4 kg | |

- Edellä esitetyt parametrit on testattu ja mitattu akkupäiden PH1400E/PH1420E/PHX1600 kanssa.
- Ilmoitettu tärinän kokonaispäästöarvo on mitattu vakiotestausmenetelmän mukaisesti, ja sen avulla voidaan vertailla työkaluja keskenään.
- Ilmoitettua tärinän kokonaispäästöarvoa voidaan käyttää myös altistumisen alustavaan arviointiin.

VAROITUS: Koneen käytön aikana mitattu todellinen tärinäpäästöarvo voi poiketa ilmoitetusta kokonaispäästöarvosta koneen käyttövastasta johtuen; käyttäjän suojaamiseksi tulee käyttää käsiineitä ja kuulosuojaimia todellisissa käyttöolosuhteissa.

VAROITUS: Käyttäjän suojelemiseksi on määriteltävä turvallisuustoimenpiteet, jotka perustuvat todellisiin käyttöolosuhteisiin perustuvaan altistumisen arviointiin (ottaen huomioon kaikki käyttösyklin osat, kuten ajat,

jolloin kone on kytketty pois päältä, ja kun se käy tyhjäkäynnillä laukaisuajan lisäksi).

KUVAUS

TUNNE SAMMALENREPIJÄLISÄOSA (kuva A)

- Päätytulppa (2)
- Lisäosan varsi
- Alempi suojus
- Pyörä
- Ylemmän suojuksen kokoonpano
- Syvyyden säätövipu
- Ohjauslevyn suoja
- Kaavintanko
- 4 mm kuusiokoloavain
- 5 mm:n kuusiokoloavain
- Harapiikki
- Sammalenrepijän sylinteri

FI

KOKOAMINEN

VAROITUS: Jos jokin osa on vahingoittunut tai puuttuu, älä käytä tuotetta ennen kuin osat on vaihdettu. Tuotteen käyttö vioittuneilla tai puuttuvilla osilla voi aiheuttaa vakavan henkilövahingon.

VAROITUS: Älä yritä muuttaa tätä tuotetta tai käyttää siinä lisävarusteita, joita ei ole suunniteltu käytettäväksi tämän tuotteen kanssa. Mikä tahansa tällainen muokkaus tai muutos on väärinkäytös ja saattaa aiheuttaa vaarallisen tilan, joka saattaa johtaa vakavaan henkilövammaan.

KIINNITYSAKSELIN LIITTÄMINEN

SAMMALENREPIJÄKOKOONPANOON (kuva B)

| | | | |
|-----|----------------|-----|---------------|
| B-1 | M5-pultti | B-4 | Reikä |
| B-2 | Pultti | B-5 | Ruuvien reikä |
| B-3 | Lisäosan varsi | B-6 | Alempi suojus |

- Aseta sammalenrepijäkokoonpano ylösalaisin vakaalle tasaiselle pinnalle.
- Irrota päätytulppa kiinnitykselin etupäästä.
- Kun kiinnitykselin reikä on ylöspäin, työnnä kiinnitykselin lisälaitteen alempaan suojukseen niin pitkälle kuin se menee. Kohdista alemman suojuksen ruuvireikä kiinnitykselin reikään.

4. Kiinnitä alempi suojus kiinnitykselsiin M5-pultilla ja mukana toimitetulla 4 mm:n kuusiokoloavaimella.
5. Kiristä kaksi esiasennettua pulttia alempaan suojukseen tiukasti kuusiokoloavaimella.

VAROITUS: Varmista, että kolme pulttia on kunnolla kiristetty ennen laitteen käyttämistä; tarkista niiden kireys säännöllisesti käytön aikana vakavien henkilövahinkojen välttämiseksi.

SAMMALENREPIJÄLISÄOSAN KIINNITTÄMINEN AKKUPÄÄHÄN

Tämä sammalenrepijälisäosa on suunniteltu käytettäväksi EGO-akkupäiden PH1400E/PH1420E/PHX1600 kanssa.

Katso akkupäiden PH1400E/PH1420E/PHX1600 käyttöoppaista kohta "LISÄOSAN ASENTAMINEN
AKKUPÄÄHÄN".

FI

KÄYTTÖ

VAROITUS: Älä anna tämän laitteen tuttuuden tehdä sen käsittelystä huolimattomaa. Muista, että sekunnin sadasosaninkin huolimattomuus riittää vakavan vamman aiheutumiseen.

VAROITUS: Käytä aina silmäsuojaimia. Tämän ohjeen laiminlyöminen saattaa aiheuttaa esineiden sinkoutumisen silmiin ja mahdollisen vakavan henkilövahingon.

VAROITUS: Vakavan henkilövahingon välttämiseksi poista akku tuotteesta ennen kuin huollat tai puhdistat sitä, vaihdat lisäosia tai poistat materiaalia tuotteesta.

VAROITUS: Älä käytä lisälaitteita tai lisävarusteita, jos tämän tuotteen valmistaja ei ole suositellut niitä. Tällaisten lisävarusteiden tai apuvälineiden käyttö saattaa aiheuttaa vakavia henkilövahinkoja.

KÄYTTÄMINEN

Poista vanhat, kuivuneet leikkuujätteet, sammal, ruoho tai juurijäämät nurmikoilta.

SAMMALENREPIJÄN KÄYNNISTÄMINEN/ PYSÄYTÄMINEN

Ennen sammalenrepijän käyttämistä

VAROITUS: Vakavan henkilövahingon välttämiseksi käytä aina suojalaseja, kun käytät tuotetta. Käytä pölyisissä olosuhteissa hengityssuojainta. Käytä asianmukaisia vaatteita ja jalkineita käytön aikana vähentääksesi lentävien roskien mahdollisesti aiheuttamaa loukkaantumisvaaraa.

- Tarkasta tuote huolellisesti vaurioiden varalta ennen käyttöä. Älä käytä tuotetta, jos se on vaurioitunut tai siinä näkyy kulumista.

- Varmista, että nurmikolla ei ole kiviä, keppejä, vajereita tai muita esineitä, jotka voivat vahingoittaa tuotetta.
- Leikkaa nurmikko ennen työskentelyä ja lannoita käytön jälkeen.

Käyttövinkkejä

Terveen nurmikon kehittämiseksi keväällä on välttämätöntä, että ruohon juurialueelle pääsee enemmän ilmaa. Suosittelemme nurmikon ilmaamista vähintään kahdesti vuodessa, keväällä tai syksyllä nurmikon kunnosta riippuen.

- Älä työskentele turvallisuutesi takia rinteissä, jotka ovat jyrkempiä kuin 15 astetta. Työskentele aina rinteiden poikki, älä ylös ja alas. Ole erittäin varovainen, kun vaihdat suuntaa rinteissä.
- Älä työskentele tällä tuotteella märällä nurmikolla, koska märkä ruoho pyrkii tarttumaan kanteen ja piikkeihin, mikä voi myös aiheuttaa liukastumisen ja kaatumisen.
- Pidä tuotteesta kiinni molemmin käsin. Pidä kahvat kuivina, jotta varmistat turvallisen tuen.
- Työnnä tuotetta hitaasti eteenpäin. Liikuta tuotetta sopivalla nopeudella. Älä liikuta sitä liian nopeasti, jotta piikit eivät juutu kiinni ja aiheuta moottorin ylikuormittamista.
- Sammuta tuote välittömästi, jos muita ihmisiä tulee työskentelyalueelle. Anna työkalun pysähtynyt kokonaan, ennen kuin lasket sen alas.
- Älä käytä liian kauan. Pidä säännöllisiä taukoja varmistaaksesi, että keskityt työhön ja hallitset koneen täysin.
- Työskentele hieman päällekkäin menevin rivien. Tehokkain kuvio on suorat linjat reunan mukaisesti (kuva C). Tämä pitää rivit tasaisina ja varmistaa, että koko nurmikko on käsitelty ilman käsittelemättömiä kohtia.
- Ole erityisen tarkka suuntaa vaihtaessasi.
- Varmista, että seisot tukevasti. Liukastuminen ja kaatuminen saattavat aiheuttaa vakavan henkilövamman. Mikäli tunnet menettäväsi tasapainosi, sammuta moottori välittömästi.
- Älä työskentele lähellä pudotuksia, oja tai penkereitä; saatat menettää tasapainosi tai astua harhaan.

Sammalenrepijälisäosan käynnistämisen/ pysäyttämisen

Katso akkupäiden PH1400E/PH1420E /PHX1600 käyttöoppaista kohta "AKKUPÄÄN KÄYNNISTÄMINEN/
SAMMUTTAMINEN".

VAROITUS: Pysäytä kone, jos sitä on kallistettava yllittäessäsi muita pintoja kuin ruohoa, ja kun kuljetat konetta sen käyttöalueelle ja siitä pois.

VAROITUS: Älä kallista konetta, kun kytket moottorin päälle, paitsi jos konetta on kallistettava käynnistystä varten. Siinä tapauksessa kallista vain sen verran kuin on pakko, ja nosta vain sitä osaa, joka on kaukana käyttäjästä.

Piikkien tukosten tarkistaminen

- Tukosten estämiseksi puhdista koneen alapuoli ennen jokaista käyttöä ja niiden jälkeen poistaaksesi kertyneet roskat.
- Kun tukkeutuminen tapahtuu, pysäytä kone ja irrota akku ja poista ruoho- ja lehtikerääntymät piikeistä ja niiden ympäriltä sekä kannesta. Puhdista kone pyyhkimällä kostealla liinalla.

SYVYYDEN SÄÄTÄMINEN (kuva D)

VAROITUS: Pidä jalkasi poissa kannelta, kun säädät syvyyttä.

Irrotussyvyys voidaan asettaa 3 syvyydasentoon:

1 ja 2: käyttöasento

3: kuljetusasento

Säädä syvyys nurmikoksi kunnon mukaan.

1. Sammuta kone ja odota, että se pysähtyy kokonaan.
2. Poista akku.
3. Vedä syvyyden säätövipu ulos pidikkeestä ja aseta se haluamaasi asentoon.

| | | | |
|-----|--------------------|-----|--------------|
| D-1 | Syvyyden säätövipu | D-2 | Syvyydasento |
|-----|--------------------|-----|--------------|

KUNNOSSAPITO

VAROITUS: Pysäytä moottori, odota kaikkien liikkuvien osien pysähtymistä ja poista akku ennen koneen tarkastamista, puhdistamista tai huoltamista. Näiden ohjeiden noudattamatta jättäminen saattaa johtaa vakavaan henkilövahinkoon tai omaisuusvahinkoon.

VAROITUS: Käytä aina sellaisia suojalaseja, joissa on sivusuojat. Tämän ohjeen noudattamatta jättäminen saattaa aiheuttaa esineiden sinkoutumisen silmiin ja mahdollisen vakavan henkilövahingon.

VAROITUS: Käytä huollon yhteydessä vain identtisiä varaosia. Muiden osien käyttö voi aiheuttaa vaaran tai tuotteen vaurioitumisen. Turvallisuuden ja luotettavuuden takia kaikki korjaukset, muut kuin näissä huolto-ohjeissa luetellut, tulee antaa ammattiasentajien suorittaviksi.

VAROITUS: Pysäytä kone ja irrota akku varmistaaksesi, että kaikki liikkuvat osat ovat täysin pysähtyneet vieraaseen esineeseen törmäämisen jälkeen. Tarkasta kone vaurioitumisen varalta ja korjaa ennen uudelleen käynnistämistä ja koneen käyttämistä.

VAROITUS: Pysäytä kone ja irrota akku varmistaaksesi, että kaikki liikkuvat osat ovat täysin pysähtyneet, jos kone alkaa täräistä epänormaalisti. Tarkista kone sitten välittömästi vaurioiden varalta, vaihda tai korjaa vaurioituneet osat ja tarkista ja kiristä mahdollisesti löystyneet osat.

VAROITUS: Ole varovainen, kun säädät tuotetta, etteivät sormesi jää puustuksiin liikkuvien osien ja tuotteen kiinteiden osien väliin.

PUHDISTAMINEN

VAROITUS: Kun puhdistat sammalenrepijälisäosaa, ÄLÄ upota sitä veteen tai muihin nesteisiin.

Vältä liuotainaineiden käyttöä, kun puhdistat muoviosia. Useimmat muovit ovat herkkiä vaurioitumaan erilaisista kaupallisista liuottimista ja voivat vaurioitua niiden käytöstä. Poista lika, pöly, öljy, rasva ym. puhtailla liinoilla.

VOITELU

Kaikissa tämän tuotteen laakereissa on riittävä määrä korkealaatuista voiteluainetta, joka riittää koneen koko kestoajan normaaleissa käyttöolosuhteissa. Tästä syystä laakereiden lisävoitelua ei tarvita.

SYLINTERIN VAIHTAMINEN

VAROITUS: Ennen kuin teet mitään huoltoa, poista aina akku koneesta ja odota, kunnes piikkisylinteri on täysin pysähtynyt. Käytä aina suojakäsineitä, kun käsittelet piikkejä.

Sylinterin poistaminen

1. Poista akku akkupäädästä.
2. Aseta lisäosa ylösalaisin tasaiselle vakaalle pinnalle.
3. Käytä mukana toimitettua 5 mm kuusiokoloavainta, kun löysäät ja irrotat kaksi lukituspuultia sammalenrepijän sylinterin laakerin istukasta (kuva E1).
4. Työnnä sammalenrepijän sylinteriä vasemmalle, kunnes oikean pään ura-akseli on vedetty ulos koneen uran navasta (kuva E2).
5. Irrota sammalenrepijän sylinteri koneesta (kuva E3).

| | | | |
|------|------------------|------|---------------------------|
| E1-1 | Laakerin istukka | E1-2 | Sammalenrepijän sylinteri |
| E2-1 | Kara-akseli | E2-2 | Karan napa |

Uuden sylinterin asentaminen

1. Aseta uuden sylinterin laakerin istukka koneen pohjalle ja työnnä sylinteriä vasemmalle niin pitkälle kuin se menee (kuva F1).
2. Kohdista ja aseta sylinterin oikealla puolella oleva ura-akseli koneen kiilanapaan (kuva F2).
3. Kohdista laakerin istukan kaksi reikää pohjassa olevien reikien kanssa, kiinnitä laakerin istukka pohjaan lukituspulteilla (kuva F3).

HARAPIIKKIEN VAIHTAMINEN

Normaalikäytössä harapiikit voivat kulua tai rikkoutua ajan myötä. Kun piikkien syvyysäättö ei enää anna oikeaa repimismäärää tai jos piikki katkeaa, vaihda piikit seuraavien ohjeiden mukaan.

FI Piikin irrottaminen

1. Poista akku akkupäästä.
2. Aseta lisäosa ylösalaisin tasaiselle vakaalle pinnalle.
3. Työnnä harapiikin kaksi tappia sylinterin uraan 1 ja vedä harapiikki irti sammalenrepijän sylinteristä kuvan G mukaisesti.

| | | | |
|-----|-------|-----|-------|
| G-1 | Tappi | G-2 | Ura 1 |
|-----|-------|-----|-------|

Harapiikin asentaminen (kuva H)

1. Työnnä harapiikin tappi sylinterin uraan 1 (vaihe 1).
2. Aseta harapiikin istukka sylinterin uraan 2 (vaihe 2).
3. Ohjaa piikin kaksi tappia uraan 1, työnnä eteenpäin asentoon urassa 3, jolloin kaksi tappia palautuu automaattisesti paikoilleen (vaiheet 3 ja 4).

| | | | |
|-----|-------|-----|-------|
| H-1 | Tappi | H-2 | Ura 1 |
| H-3 | Ura 2 | H-4 | Ura 3 |

KULJETUS JA VARASTOINTI

- Poista akku akkupäästä.
- Anna tuotteen aina jäähtyä ennen varastoon viemistä.
- Puhdista tuote perusteellisesti ennen varastointia.
- Säilytä tuote kuivassa, hyvin ilmastoidussa, lukituspaikassa tai korkealla, poissa lasten ulottuvilta. Älä säilytä tuotetta lannoitteiden, bensiinin tai muiden kemikaalien päällä tai vieressä.

YMPÄRISTÖNSUOJELU



Älä hävitä sähkölaitteita, käytettyjä akkuja tai laturia kotitalousjätteen seassa! Vie tämä tuote hyväksytyyn kierrätyspaikkaan tai anna se erilliseen keräilyyn. Sähkökoneet tulee palauttaa asianmukaiseen ympäristöstäydälliseen kierrätyslaitokseen.

VIANMÄÄRITYS

| ONGELMA | SYY | RATKAISU |
|------------------------------------------------------------|-----------------------------------------------------------------------------------------------------------------------------------------------------------------------------------------------------------------------------------|------------------------------------------------------------------------------------------------------------------------------------------------------------------------------------------------------------------------------------|
| Moottori ei käynnisty | <ul style="list-style-type: none"> ▪ Akun varaus on tyhjentynyt. ▪ Lukituksen vapautuspainiketta tai liipaisukytkintä ei ole käytetty oikein. ▪ Akkua ei ole työnnetty kunnolla akun liitäntään. | <ul style="list-style-type: none"> ▪ Lataa akku. ▪ Katso akkupään käyttöoppaasta kohta "AKKUPÄÄN KÄYNNISTÄMINEN/ SAMMUTTAMINEN". ▪ Tarkista, onko akku työnnetty kunnolla akun liitäntään. |
| Kone pitää epänormaalia ääntä. | <ul style="list-style-type: none"> ▪ Roskat tai vieraat esineet estävät koneen piikkejä. | <ul style="list-style-type: none"> ▪ Sammuta moottori, irrota akku ja poista roskat tai vieraat esineet, jotka estävät konetta toimimasta kunnolla. |
| Kone ei toimi kunnolla tai tulokset eivät ole tyydyttäviä. | <ul style="list-style-type: none"> ▪ Ruoho on liian pitkää. | <ul style="list-style-type: none"> ▪ Leikkaa nurmikko ennen sammalenrepijän käyttöä. |
| | <ul style="list-style-type: none"> ▪ Märät roskat juuttuvat kannen alapuolelle. | <ul style="list-style-type: none"> ▪ Odota, että ruoho kuivuu, ennen sammalenrepijän käyttöä. |
| | <ul style="list-style-type: none"> ▪ Syvyysasetus on väärä. | <ul style="list-style-type: none"> ▪ Säädä piikkien syvyyttä halutun tuloksen saamiseksi. |
| | <ul style="list-style-type: none"> ▪ Piikit ovat kuluneet tai vaurioituneet. | <ul style="list-style-type: none"> ▪ Vaihda piikit tarvittaessa. |

FI

TAKUU

EGON TAKUUEHDOT

Verkkosivustolta egopowerplus.eu löydät EGO:n takuukäytännön täydelliset ehdot.

LES ALLE INSTRUKSJONER!



LES BRUKERHÅNDBOKEN

SIKKERHETSSYMBOLER

Hensikten med sikkerhetssymboler er å tiltrekke deg oppmerksomheten mot mulige farer. Sikkerhetssymbolene og forklaringene med dem fortjener nøye oppmerksomhet og forståelse. Symbolvarslene eliminerer ikke i seg selv noen fare. Instruksjonene og advarslene de gir er ingen erstatning for riktige ulykkesforebyggende tiltak.

⚠ ADVARSEL: Sørg for å lese og forstå alle sikkerhetsinstruksjoner i denne brukerhåndboken, inkludert alle sikkerhetsvarselssymboler som "FARE", "ADVARSEL" og "FORSIKTIG" før du bruker denne maskinen. Unnlattelse av å følge alle instruksjonene nedenfor kan føre til elektrisk støt, brann og/eller alvorlig personskade.

NO

SYMBOLBETYDNING

⚠ SIKKERHETSVARSELSSYMBOL: Indikerer FARE, ADVARSEL ELLER FORSIKTIG. Kan brukes sammen med andre symboler eller piktogrammer.



⚠ ADVARSEL: Betjening av alle maskiner kan føre til at fremmedlegemer blir kastet inn i øynene dine, noe som kan føre til alvorlig øyeskade. Før du begynner å bruke maskinen, bruk alltid vernebriller

eller vernebriller med sideskjold og hel ansiktsskjerm ved behov. Vi anbefaler en Wide Vision Safety Mask til bruk over briller, eller standard vernebriller med sidebeskyttelse.

SIKKERHETSINSTRUKSER

Denne siden viser og beskriver sikkerhetssymboler som kan vises på dette produktet. Les, forstå og følg alle instruksjonene på maskinen før du prøver å montere og bruke den.

| | | |
|---|---------------------------------------------------------------------------|----------------------------------------------------------------------------------------------------------------------|
| | Sikkerhetsvarsel | Indikerer en potensiell fare for personskade. |
| | Les og forstå brukerhåndboken | For å redusere risikoen for skade, må brukeren lese og forstå brukerhåndboken før dette produktet tas i bruk. |
| | Bruk øyebeskyttelse | Bruk alltid vernebriller eller vernebriller med sideskjerm og hel ansiktsskjerm når du bruker dette produktet. |
| | ADVARSEL – Vær oppmerksom på gjenstander som kastes – hold tilskuere unna | Varsler brukeren om å passe seg for gjenstander som kastes – hold tilskuere unna. |
| | FARE – Hold hender og føtter unna | Varsler brukere om å holde hender og føtter unna. |
| | ADVARSEL – Hold hender og føtter unna tindene | Varsler brukeren om å holde hender og føtter unna tindene. |
| | CE | Dette produktet er i samsvar med gjeldende EU-direktiver. |
| | UKCA | Dette produktet er i samsvar med gjeldende britisk lovgivning. |
| | WEEE | Elektriske produkter skal ikke kastes sammen med husholdningsavfallet. Innlever ved en godkjent gjenvinningsstasjon. |
| | Støy | Garantert lydeffektnivå. Støyutslipp til miljøet i henhold til EUs direktiv. |
| V | Volt | Spenning |

| | | |
|-------------------|-----------------------------------------|---------------------------------------------------------------|
| | Likestrøm (DC) | Type eller en karakteristikk av strømtype |
| mm | Millimeter | Lengde eller størrelse |
| kg | Kilogram | Vekt |
| min | Minutter | Tid |
| n ₀ | Ingen lastehastighet | Rotasjonshastighet, uten last |
| min ⁻¹ | Omdreininger eller gjengjeld per minutt | Omdreininger, slag, overflatehastighet, baner osv. per minutt |
| RPM | Omdreininger per minutt | Rotasjonshastighet |
| °C | Celsiusgrader | Temperatur |

⚠ ADVARSEL: For å sikre sikkerhet og pålitelighet bør alle reparasjoner utføres av en kvalifisert servicetekniker.

GENERELLE SIKKERHETSADVARSLER FOR BATTERIDREVNE MASKINER

⚠ ADVARSEL: LES ALLE SIKKERHETSADVARSLER, INSTRUKSJONER, ILLUSTRASJONER OG SPESIFIKASJONER SOM LEVERES MED DENNE MASKINEN. Unnlattelse av å følge alle instruksjonene nedenfor kan føre til elektrisk støt, brann og/eller alvorlig skade.

LAGRE ALLE ADVARSLER OG INSTRUKSJONER FOR FREMTIDIG REFERANSE.

Begrepet "maskin" i advarslene refererer til din nettdrevne (med ledning) maskin eller batteridrevne (trådløse) maskin.

SIKKERHET I ARBEIDSMRÅDET

- **Hold arbeidsområdet rent og godt opplyst.** Rotete eller mørke områder inviterer til ulykker.
- **Ikke bruk maskiner i eksplosive atmosfærer, for eksempel i nærvær av brennbare væsker, bensin eller støv.** Maskiner lager gnister som kan antenne støv eller røyk.
- **Hold barn og tilskuere unna mens du bruker en maskin.** Distraksjoner kan føre til at du mister kontrollen.

ELEKTRISK SIKKERHET

- **Maskinpluggene må passe til stikkkontakten. Modifiser aldri støpset på noen måte. Ikke bruk noen adapterplugger med jordede (jordede) maskiner.** Umodifiserte støpsler og matchende stikkontakter vil redusere risikoen for elektrisk støt.
- **Unngå kroppskontakt med jordete overflater som rør, radiatorer, komfyrer og kjøleskap.** Det er økt risiko for elektrisk støt hvis kroppen din er jordet.
- **Ikke bruk maskinen i regn eller under våte forhold.** Dette kan øke risikoen for elektrisk støt.
- **Ikke utsett ledningen for feil behandling. Bruk aldri ledningen til å bære, trekke eller koble fra maskinen. Hold ledningen unna varme, olje, skarpe kanter eller bevegelige deler.** Skadede eller sammenfiltrede ledninger øker risikoen for elektrisk støt.
- **Når du bruker en maskin utendørs, bruk en skjøteledning som er egnet for utendørs bruk.** Bruk av en ledning egnet for utendørs bruk reduserer risikoen for elektrisk støt.
- **Hvis det er uunngåelig å bruke en maskin på et fuktig sted, bruk en jordfeilbryter (GFCI) beskyttet forsyning.** Bruk av en GFCI reduserer risikoen for elektrisk støt.

NO

PERSONLIG SIKKERHET

- **Vær på vakt, se hva du gjør og bruk sunn fornuft når du bruker en maskin. Ikke bruk en maskin mens du er trøtt eller påvirket av narkotika, alkohol eller medisiner.** Et øyeblikks uoppmerksomhet under bruk av maskiner kan føre til alvorlig personskade.
- **Bruk personlig verneutstyr. Bruk alltid vernebriller.** Verneutstyr som støvmaske, sklisikre vernesko, hjelm eller hørselsvern når omgivelsene krever det, reduserer risikoen for personskader.
- **Forhindre utilsiktet start. Sørg for at bryteren er i av-posisjon før du kobler til strømkilden og/eller batteripakken, plukker opp eller bærer maskinen.** Å bære maskiner med fingeren på bryteren eller energigivende maskiner som har bryteren på, inviterer til ulykker.
- **Fjern eventuell justeringsnøkkel eller skiftenøkkel før du slår på maskinen.** En skiftenøkkel eller en nøkkel som er festet til en roterende del av maskinen kan føre til personskade.
- **Ikke overdriv. Hold riktig fotfeste og balanse til enhver tid.** Dette gir bedre kontroll over maskinen i uventede situasjoner.
- **Kle deg skikkelig. Ikke bruk løstsittende klær**

eller smykker. Hold hår og klær på avstand fra bevegelige deler. Løse klær, smykker eller langt hår kan sette seg fast i bevegelige deler.

- Hvis det leveres enheter for tilkobling av støvavsug og oppsamlingsanlegg, sørg for at disse er tilkoblet og riktig brukt. Bruk av støvoppsamling kan redusere støvrelaterede farer.
- Ikke la kjennskap oppnådd ved hyppig bruk av maskiner tillate deg å bli selvtilfreds og ignorere maskinsikkerhetsprinsipper. En uforsiktig handling kan forårsake alvorlig skade i løpet av en brøkdel av et sekund.

MASKINBRUK OG STELL

- Ikke tving maskinen. Bruk riktig maskin for din applikasjon. Riktig maskin vil gjøre jobben bedre og sikrere med den hastigheten den ble designet for.
- Ikke bruk maskinen hvis bryteren ikke slår den av og på. Enhver maskin som ikke kan kontrolleres med bryteren er farlig og må repareres.
- Koble støpselet fra strømkilden og/eller fjern batteripakken, hvis den kan tas av, fra maskinen før du foretar justeringer, skifter tilbehør eller oppbevarer maskiner. Slike forebyggende sikkerhetstiltak reduserer risikoen for å starte maskinen ved et uhell.
- Oppbevar inaktive maskiner utilgjengelig for barn og la ikke personer som ikke er kjent med maskinen eller disse instruksjonene bruke maskinen. Maskiner er farlige i hendene på utrente brukere.
- Vedlikehold maskiner og tilbehør. Sjekk for feiljustering eller binding av bevegelige deler, brudd på deler og andre forhold som kan påvirke maskinens drift. Hvis den er skadet, få maskinen reparert før bruk. Mange ulykker er forårsaket av dårlig vedlikeholdte maskiner.
- Hold skjæremaskiner skarpe og rene. Riktig vedlikeholdte skjæremaskiner med skarpe skjærekanter har mindre sannsynlighet for å binde seg og er lettere å kontrollere.
- Bruk maskinen, tilbehør og maskinbits etc. i samsvar med disse instruksjonene, og ta hensyn til arbeidsforholdene og arbeidet som skal utføres. Bruk av maskinen til andre operasjoner enn de tiltenkte kan føre til en farlig situasjon.
- Hold håndtak og gripeflater tørre, rene og fri for olje og fett. Glatte håndtak og gripeflater tillater ikke sikker håndtering og kontroll av maskinen i uventede situasjoner.

NO

BRUK OG STELL AV BATTERIMASKINEN

- Lad kun med laderen spesifisert av produsenten. En lader som er egnet for én type batteripakke kan skape brannfare når den brukes med en annen batteripakke.
- Bruk kun maskiner med spesifikt utpekte batteripakker. Bruk av andre batteripakker kan skape risiko for skader og brann.
- Når batteriet ikke er i bruk skal det holdes unna andre metallgjenstander som binders, mynter, nøkler, spikere, skruer eller andre små metallgjenstander som kan lage forbindelse fra én terminal til en annen. Kortslutning av batteripolene kan forårsake brannskader eller brann.
- Under farlige forhold kan væske komme ut av batteriet. Unngå kontakt med denne. Hvis kontakt oppstår ved et uhell, skyll med vann. Hvis væske kommer i kontakt med øynene, søk i tillegg medisinsk hjelp. Væske som kommer ut av batteriet kan forårsake irritasjon eller brannskader.
- Ikke bruk en batteripakke eller maskin som er skadet eller modifisert. Skadde eller modifiserte batterier kan oppføre seg uforutsigbart og medføre brann, eksplosjon eller risiko for personskade.
- Ikke utsett en batteripakke eller maskin for brann eller høy temperatur. Eksponering for ild eller temperaturer over 130 °C kan forårsake eksplosjon.
- Følg alle ladeinstruksjoner og ikke lad batteripakken eller maskinen utenfor temperaturområdet spesifisert i instruksjonene. Feil lading eller ved temperaturer utenfor spesifisert område kan skade batteriet og øke risikoen for brann.

SERVICE

- Få service på maskinen av en kvalifisert reparasjonsperson som kun bruker identiske reservedeler. Dette vil sikre at sikkerheten til maskinen opprettholdes.
- Batteripakker som er skadet, må aldri brukes. Service på batteripakker må bare utføres av produsenten eller autoriserte tjenesteleverandører.

SIKKERHETSADVARSLER FOR UTLØSEREN

- Ikke bruk maskinen under dårlige værforhold, spesielt når det er fare for lynnedslag. Dette reduserer risikoen for å bli truffet av lynet.
- Inspiser området grundig for dyreliv der maskinen skal brukes. Dyreliv kan bli skadet av maskinen under drift.
- Inspiser området der maskinen skal brukes

grundig og fjern alle steiner, pinner, ledninger, bein og andre fremmedlegemer. Gjenstander som kastes kan forårsake personskade.

- **Før du bruker maskinen, inspiser alltid visuelt for å se at tindene og tindene ikke er slitt eller skadet.** Slitte eller skadde deler øker risikoen for skade.
- **Hold vaktene på plass. Beskyttere må være i brukbar stand og være riktig montert.** En beskyttelse som er løs, skadet eller ikke fungerer som den skal, kan føre til personskade.
- **Hold alle kjøleluftinntak fri for rusk.** Blokkerte luftinntak og rusk kan føre til overoppheting eller brannfare.
- **Når du bruker maskinen, bruk alltid sklisikre og beskyttende føttøy. Ikke bruk maskinen når du er barbeint eller bruker åpne sandaler.** Dette reduserer sjansen for skade på føttene ved kontakt med de bevegelige tindene.
- **Når du bruker maskinen, bruk alltid lange bukser.** Eksponert hud øker sannsynligheten for skade fra gjenstander som kastes.
- **Ikke bruk gressklipperen i vått gress. Gå, aldri løp.** Dette reduserer risikoen for å skli og falle som kan føre til personskade.
- **Ikke bruk maskinen i for bratte bakker.** Dette reduserer risikoen for tap av kontroll, skliing og fall som kan føre til personskade.
- **Når du jobber i skråninger, vær alltid sikker på fotfeste, arbeid alltid på tvers av skråninger, aldri opp eller ned og utvis ekstrem forsiktighet når du endrer retning.** Dette reduserer risikoen for tap av kontroll, skliing og fall som kan føre til personskade.
- **Vær svært forsiktig når du rygger eller drar maskinen mot deg. Vær alltid oppmerksom på omgivelsene dine.** Dette reduserer risikoen for å snuble under drift.
- **Hold kun maskinen i isolerte gripeflater, fordi tindene kan komme i kontakt med skjulte ledninger.** Tinner som kommer i kontakt med en "strømførende" ledning kan gjøre eksponerte metalldele på maskinen "strømførende" og kan gi operatøren et elektrisk støt.
- **Ikke berør tinder og andre farlige bevegelige deler mens de fortsatt er i bevegelse.** Dette reduserer risikoen for skade fra bevegelige deler.
- **Når du fjerner fastkjørt materiale eller rengjør maskinen, sørg for at alle strømbrytere er slått av og at batteripakken er frakoblet.** Uventet bruk av maskinen kan føre til alvorlig personskade.

YTTERLIGERE ADVARSLER

- Bruk kun med EGO Power Head PH1400E/PH1420E/PHX1600.

NOTE: Se brukerhåndboken til EGO Power Head PH1400E/PH1420E/PHX1600 for detaljerte sikkerhetsregler og bruksanvisninger.

LAGRE DISSE INSTRUKSJONENE

SPESIFIKASJONER

| | |
|------------------------------------------------------------------|------------------------------------------|
| Maksimal arbeidsbredde | 355 mm |
| Ulasthastighet (med PH1420E) | Lav: 2600 RPM |
| | Høy: 3000 RPM |
| Dybdejustering | 3 stillinger |
| Løsende dybde | 0 / 10 mm / 20 mm |
| Anbefalt driftstemperatur | 0°C – 40°C |
| Anbefalt lagringstemperatur | -20°C – 70°C |
| Målt lydeffektnivå L_{WA} | 88 dB(A) K=2 dB(A) (PH1400E) |
| | 88,49 dB(A) K=0,81 dB(A) (PH1420E) |
| | 90 dB(A) K=0,9 dB(A) (PHX1600) |
| Lydtrykknivå ved brukerens øre L_{PA} | 82 dB(A) K=3 dB(A) (PH1400E) |
| | 79,8 dB(A) K=3 dB(A) (PH1420E) |
| | 82 dB(A) K=3 dB(A) (PHX1600) |
| Garantert lydeffektnivå L_{WA} (målt i henhold til 2000/14/EF) | 92 dB(A) |

NO

| | | |
|-------------------------------|-------------------------|--------------------------------------------------------------|
| Vibrasjonsnivå a_h | Fremre hjelpehåndtak | 2,35 m/s ² K=1,5 m/s ² (PH1400E) |
| | | 2,36 m/s ² K=1,5 m/s ² (PH1420E) |
| | | 2,63 m/s ² K=1,5 m/s ² (PHX1600) |
| | Rear handle | 2,66 m/s ² K=1,5 m/s ² (PH1400E) |
| | | 2,24 m/s ² K=1,5 m/s ² (PH1420E) |
| | | 1,74 m/s ² K=1,5 m/s ² (PHX1600) |
| Vekt (med frigjøringsylinder) | | 7,4 kg |

- Parametrene ovenfor er testet og målt utstyrt med strømhode PH1400E/PH1420E/PHX1600.
- Den deklarerte totalverdien for vibrasjoner er målt i henhold til en standard testmetode og kan brukes til å sammenligne ett verktøy med et annet.
- Den oppgitte vibrasjonstotalverdien kan også brukes i en foreløpig vurdering av eksponering.

⚠ ADVARSEL: Vibrasjonsutslippet under faktisk bruk av maskinen kan avvike fra den deklarerte verdien som maskinen brukes i; For å beskytte operatøren bør brukeren bruke hansker og hørselvern under de faktiske bruksforholdene.

⚠ ADVARSEL: Behov for å identifisere sikkerhetstiltak for å beskytte operatøren som er basert på en estimering av eksponering under de faktiske bruksforholdene (som tar hensyn til alle deler av driftssyklusen, for eksempel tidspunktene når maskinen er slått av og når den går på tomgang i tillegg til utløsertiden).

BESKRIVELSE

KJENN DIN AVTREKKERFESTE (Fig A)

1. Endelokk (2)
2. Festeskaff
3. Nedre deksel
4. Hjul
5. Øvre dekselmontering

6. Dybdejusteringsspak
7. Deflektorvakt
8. Skrapestang
9. 4 mm sekskantnøkkel
10. 5 mm sekskantnøkkel
11. Rake Tine
12. Dethatcher sylinder

SAMMENSETTING

⚠ ADVARSEL: Hvis noen av delene er skadet eller mangler, må du ikke bruke dette produktet før delene er byttet. Bruk av dette produktet med skadede eller manglende deler kan føre til alvorlig personskade.

⚠ ADVARSEL: Ikke forsøk å modifisere dette produktet eller lage tilbehør som ikke anbefales for bruk med dette produktet. Enhver slik endring eller modifikasjon er misbruk og kan føre til en farlig tilstand som kan føre til mulig alvorlig personskade.

KOBLE FESTEAKSELEN TIL FRIGJØRINGSENHETEN (Fig B)

| | | | |
|-----|------------|-----|--------------|
| B-1 | M5 Bolt | B-4 | Hull |
| B-2 | Bolt | B-5 | Skruerhull |
| B-3 | Festeskaft | B-6 | Nedre deksel |

1. Legg frigjøringsenheten opp ned på en stabil flat overflate.
2. Fjern endelokket fra den fremre enden av festeskaffet.
3. Med hullet på festeskaffet vendt opp, sett inn festeskaffet inn i det nedre dekselet på tilbehøret så langt det går. Rett inn skruerhullet i det nedre dekselet med hullet på festeakselen.
4. Bruk den medfølgende 4 mm unbrakonøkkel og fest det nedre dekselet til festeakselen med M5-bolten.
5. Bruk sekskantnøkkel og stram de to forhåndsinstallerte boltene til det nedre dekselet godt.

⚠ ADVARSEL: Vær sikker på at de tre boltene er helt strammet før du bruker utstyret; sjekk den med jevne mellomrom for tetthet under bruk for å unngå alvorlig personskade.

KOBLE DETATCHER TILBEHØR TIL STRØMHODET

Dette utløserfestet er designet for bruk med EGO Power Head PH1400E/PH1420E/PHX1600.

Se avsnittet "INSTALLERE ET TILBEHØR TIL KRAFTHODET" i brukerhåndboken for strømhodet PH1400E/PH1420E/PHX1600.

OPERASJON

⚠ ADVARSEL: Ikke la kjennskap til dette produktet gjøre deg uforsiktig. Husk at en uforsiktig brøkdell av et sekund er tilstrekkelig til å påføre alvorlig skade.

⚠ ADVARSEL: Bruk alltid øyevern. Unnlattelse av å gjøre dette kan føre til at gjenstander blir kastet inn i øynene og andre mulige alvorlige skader.

⚠ ADVARSEL: For å unngå alvorlig personskade, fjern batteripakken fra produktet før du utfører service, rengjøring, skifter tilbehør eller fjerner materiale fra produktet.

⚠ ADVARSEL: Ikke bruk tilbehør eller tilbehør som ikke er anbefalt av produsenten av dette produktet. Bruk av tilbehør eller tilbehør som ikke er anbefalt kan føre til alvorlig personskade.

PÅFØRING

Fjern gamle, tørkede stiklinger, mose, gress eller rotrester fra plenen.

STARTE/STOPPE AVLØSEREN

Før du bruker avløseren

⚠ ADVARSEL: For å unngå alvorlig personskade, bruk beskyttelsesbriller eller vernebriller til enhver tid når du bruker dette produktet. Bruk en ansiktsmaske eller støvmaske på støvete steder. Bruk riktige klær og fottøy under drift for å redusere risikoen for skader som kan være forårsaket av flyvende rusk.

- Inspiser produktet grundig for skade før bruk. Ikke bruk produktet hvis det er skadet eller viser slitasje.
- Sørg for at plenen er fri for steiner, pinner, ledninger eller andre gjenstander som kan skade produktet.
- Klipp plenen før du arbeider og gjødsle etterpå.

Driftstips

For at en sunn plen skal utvikle seg om våren, er det nødvendig at større mengder luft trenger inn i området rundt gressrøttene. Vi anbefaler å løse plenen minst to ganger hvert år, om våren eller høsten, avhengig av tilstanden til plenen din.

- For din egen sikkerhet, ikke bruk i skråninger som er større enn 15 grader. Arbeid på tvers av skråningene,

ikke opp og ned. Utvis ekstrem forsiktighet når du endrer retning i bakker.

- Ikke arbeid med dette produktet på en våt plen fordi vått gress har en tendens til å feste seg til dekket og tindene, det kan også føre til at du sklir og faller.
- Hold produktet med begge hender. Hold håndtakene tørre for å sikre sikker støtte.
- Skyv produktet sakte fremover. Flytt produktet med passende hastighet. Ikke flytt den for fort for å forhindre at tindene setter seg fast og forårsaker overbelastning av motoren.
- Slå av produktet umiddelbart hvis andre personer kommer inn i arbeidsområdet. La alltid produktet stoppe helt opp før du legger det fra deg.
- Ikke overarbeid. Ta jevnlige pauser for å sikre at du kan konsentrere deg om arbeidet og ha full kontroll over maskinen.
- Strikk i litt overlappende rader. Det mest effektive mønsteret er rette linjer langs en av sidene (fig C). Dette vil holde radene jevne og sikrer at all plenen løsner uten å gå glipp av noen flekker.
- Vær spesielt oppmerksom når du endrer retning.
- Vær alltid sikker på fotfeste. En utglidning og et fall kan forårsake alvorlig personskade. Hvis du føler at du mister balansen, slå av motoren umiddelbart.
- Ikke arbeid i nærheten av skråninger, grøfter eller voller, du kan miste fotfestet eller balansen.

NO

For å starte/stoppe Dethatcher-tilbehøret

Se avsnittet "STARTE/STOPPE KRAFTHODET" i brukerhåndboken for PH1400E/PH1420E/PHX1600.

⚠ ADVARSEL: Stopp maskinen hvis den må vippes for transport når du krysser andre flater enn gress og når du transporterer maskinen til og fra området der den skal brukes.

⚠ ADVARSEL: Ikke vipp maskinen når du slår på motoren, bortsett fra hvis maskinen må vippes for start. I dette tilfellet må du ikke vippe den mer enn absolutt nødvendig og bare løft den delen som er borte fra operatøren.

Sjekk for blokkering av tindene

- For å unngå blokkering, rengjør undersiden av maskinen før og etter hver bruk for å fjerne oppsamlet rusk.
- Når blokkering skjer, stopp maskinen og fjern batteripakken, og fjern deretter all opphopning av gress og løv på eller rundt tindene og dekket. Tørk av maskinen med en fuktig klut.

JUSTERING AV DYBDE (Fig D)

⚠ ADVARSEL: Hold føttene unna dekket når du justerer dybden.

Løsningsdybden kan stilles inn til 3 dybdeposisjoner:

1 og 2: driftsstilling

3: transportstilling

Juster dybden etter behovene til plenen din.

1. Slå av maskinen og vent til maskinen har stoppet helt.
2. Ta ut batteripakken.
3. Trekk dybdejusteringsspaken ut av sperren og sett den i ønsket posisjon.

| | | | |
|-----|---------------------|-----|---------------|
| D-1 | Dybdejusteringsspak | D-2 | Dybdeposisjon |
|-----|---------------------|-----|---------------|

NO

VEDLIKEHOLD

⚠ ADVARSEL: Før du inspiserer, rengjør eller utfører service på maskinen, stopp motoren, vent til alle bevegelige deler har stoppet og fjern batteripakken. Unnlattelse av å følge disse instruksjonene kan føre til alvorlig personskade eller skade på eiendom.

⚠ ADVARSEL: Bruk alltid øyevern med sideskjold. Unnlattelse av å gjøre dette kan føre til at gjenstander blir kastet inn i øynene dine, noe som kan føre til alvorlige skader.

⚠ ADVARSEL: Ved service, bruk kun identiske reservedeler. Bruk av andre deler kan skape en fare eller forårsake produktskade. For å sikre sikkerhet og pålitelighet bør alle reparasjoner, bortsett fra elementene som er oppført i disse vedlikeholdsinstruksjonene, utføres av en kvalifisert servicetekniker.

⚠ ADVARSEL: Etter å ha truffet et fremmedlegeme, stopp maskinen og fjern batteripakken for å sikre at alle bevegelige deler har stoppet helt. Inspiser deretter maskinen for skader og foreta reparasjoner før du starter og bruker maskinen på nytt.

⚠ ADVARSEL: Hvis maskinen begynner å vibrere unormalt, stopp maskinen og fjern batteripakken for å sikre at alle bevegelige deler har stoppet helt. Inspiser deretter umiddelbart for skade, bytt ut eller reparer eventuelle skadede deler, og sjekk for og stram til eventuelle løse deler.

⚠ ADVARSEL: Vær forsiktig under justering av produktet for å unngå å klemme fingrene mellom bevegelige deler og faste deler av produktet.

RENGJØRING

⚠ ADVARSEL: Når du rengjør utløsertilbehøret, IKKE senk det ned i vann eller andre væsker.

Unngå å bruke løsemidler ved rengjøring av plastdeler. De fleste plaster er utsatt for skade fra ulike typer kommersielle løsemidler og kan bli skadet ved bruk. Bruk rene kluter for å fjerne smuss, støv, olje, fett osv.

SMØRING

Alle lagrene i dette produktet er smurt med en tilstrekkelig mengde høykvalitets smøremiddel for enhetens levetid under normale driftsforhold. Derfor er det ikke nødvendig med ytterligere lagersmøring.

BYTTE AV SYLINDER

⚠ ADVARSEL: Før du utfører noe vedlikehold, fjern alltid batteripakken fra maskinen og vent til tindsylindringen stopper helt. Bruk vernehansker når du håndterer tindene.

For å fjerne sylindringen

1. Fjern batteripakken fra strømhodet.
2. Legg vedlegget opp ned på et flatt og stabilt underlag.
3. Bruk den medfølgende 5 mm unbrakonøkkelen for å løse og fjerne de to låseboltene på lagersetet til frigjøringsylindringen (Fig E1).
4. Skyv frigjøringsylindringen mot venstre til kileakselen på høyre ende er trukket ut fra kilenavet på maskinen (Fig E2).
5. Fjern frigjøringsylindringen fra maskinen (Fig E3).

| | | | |
|------|--------------|------|---------------------|
| E1-1 | Lagersete | E1-2 | Dethatcher sylinder |
| E2-1 | Spindelaksel | E2-2 | Spindelnav |

For å installere den nye sylindringen

1. Plasser lagersetet til den nye sylindringen på maskinbasen og skyv sylindringen mot venstre så langt den går (Fig F1).
2. Juster og sett inn splineakselen på høyre side av sylindringen inn i splinenavet på maskinen (Fig F2).
3. Juster de to hullene på lagersetet med hullene på basen, fest lagersetet til basen med låseboltene (Fig F3).

BYTTE AV RIVETINDER

Ved normal bruk kan rivetinder slites eller brette eller tinte. Når justering av tinddybden ikke lenger gir deg riktig mengde løsner, eller hvis en tinte går i stykker, følg trinnene nedenfor for å skifte ut tindene.

For å fjerne tind

1. Fjern batteripakken fra strømhodet.
2. Legg vedlegget opp ned på et flatt og stabilt underlag.
3. Skyv de to tappene på rivetinden til sporet 1 på sylinderen, og trekk av rivetinden fra frigjøringssylinderen som vist i fig.

| | | | |
|-----|-----|-----|--------|
| G-1 | Pin | G-2 | Spor 1 |
|-----|-----|-----|--------|

For å installere rivetinden (fig H)

1. Sett tappen på rivetinden inn i sporet 1 på sylinderen (trinn 1).
2. Sett setet til rivetinden inn i sporet 2 på sylinderen (trinn 2).
3. Før de to pinnene på tinden inn i sporet 1, skyv frem til posisjonen ved sporet 3 og de to pinnene vil automatisk komme tilbake på plass (trinn 3 og 4).

| | | | |
|-----|--------|-----|--------|
| H-1 | Pin | H-2 | Spor 1 |
| H-3 | Spor 2 | H-4 | Spor 3 |

NO

TRANSPORT OG LAGRING

- Fjern batteripakken fra strømhodet.
- La alltid produktet avkjøles før du oppbevarer det.
- Rengjør produktet grundig før du oppbevarer det.
- Oppbevar produktet på et tørt, godt ventilert sted, innelåst eller høyt oppe, utilgjengelig for barn. Ikke oppbevar produktet på eller i nærheten av gjødsel, bensin eller andre kjemikalier.

BESKYTTELSE AV MILJØET



Ikke kast elektrisk utstyr, brukt batteri og lader i husholdningsavfallet! Ta dette produktet til en autorisert gjenvinner og gjør det tilgjengelig for separat innsamling. Elektriske maskiner må returneres til et miljøvennlig gjenvinningsanlegg.

FEILSØKING

| PROBLEM | ÅRSAK | LØSNING |
|---------------------------------------------------------------------------------|----------------------------------------------------------------------------------------------------------------------------------------------------------------------------------------------------------------------|------------------------------------------------------------------------------------------------------------------------------------------------------------------------------------------------------------------------------------|
| Motoren starter ikke | <ul style="list-style-type: none">▪ Batteripakkens ladning er oppbrukt.▪ Låseknappen eller utløserbryteren brukes ikke riktig.▪ Batteripakken er ikke satt helt inn i batteriporten. | <ul style="list-style-type: none">▪ Lad batteripakken.▪ Følg avsnittet "START/STOPPING AV KRAFTHODET" i håndboken for motorhodet.▪ Sjekk om batteripakken er satt helt inn i batteriporten. |
| Maskinen lager unormale lyder. | <ul style="list-style-type: none">▪ Avfall eller fremmedlegemer som hindrer maskinens tinder. | <ul style="list-style-type: none">▪ Stopp motoren, fjern batteripakken og fjern rusk eller fremmedlegemer som hindrer maskinen i å fungere som den skal. |
| Maskinen fungerer ikke som den skal eller resultatet er ikke tilfredsstillende. | <ul style="list-style-type: none">▪ Gresset er for høyt. | <ul style="list-style-type: none">▪ Klipp plenen før du løsner. |
| | <ul style="list-style-type: none">▪ Vått rusk som fester seg til undersiden av dekket. | <ul style="list-style-type: none">▪ Vent til plenen tørker før du løsner. |
| | <ul style="list-style-type: none">▪ Dybde satt til feil innstilling. | <ul style="list-style-type: none">▪ Juster dybden på tindene for å oppnå ønsket resultat. |
| | <ul style="list-style-type: none">▪ Tinner slitt eller skadet. | <ul style="list-style-type: none">▪ Skift tinder etter behov. |

NO

GARANTI

EGO GARANTIPOLITIK

Besøk nettstedet egopowerplus.eu for fullstendige vilkår og betingelser for EGO-garantipolicyen.

ПРОЧИТАЙТЕ ВСЕ ИНСТРУКЦИИ!



ПРОЧИТАЙТЕ РУКОВОДСТВО ПОЛЬЗОВАТЕЛЯ

СИМВОЛЫ БЕЗОПАСНОСТИ

Символы безопасности предназначены для привлечения внимания к возможным рискам. Символы безопасности, а также пояснения к ним, требуют особого внимания и понимания. Предупреждения по технике безопасности сами по себе не устраняют опасность. Инструкции и предупреждения не заменяют соответствующие меры по предотвращению несчастных случаев.

⚠ ПРЕДУПРЕЖДЕНИЕ. Перед использованием устройства внимательно прочитайте все инструкции в данном руководстве по эксплуатации и ознакомьтесь с предупреждающими символами безопасности, такими как **ОПАСНОСТЬ**, **ПРЕДУПРЕЖДЕНИЕ** и **ВНИМАНИЕ**. Несоблюдение всех приведенных ниже инструкций может привести к поражению электрическим током, возникновению пожара и (или) получению серьезных травм.

УСЛОВНЫЕ ОБОЗНАЧЕНИЯ

⚠ ПРЕДУПРЕЖДАЮЩИЙ СИМВОЛ. Означает **ОПАСНОСТЬ**, **ПРЕДУПРЕЖДЕНИЕ** или **ВНИМАНИЕ**. Может использоваться с другими символами или изображениями.



⚠ ПРЕДУПРЕЖДЕНИЕ. В результате работы устройства в глаза могут попасть посторонние предметы, что приведет к серьезному повреждению глаз. Перед началом использования устройства всегда






надевайте защитную маску или защитные очки с боковыми щитками и полнопрофильную защитную маску (при необходимости). Поверх очков или стандартных защитных очков рекомендуется надевать безопасную маску с широким обзором.

ИНСТРУКЦИЯ ПО ТЕХНИКЕ БЕЗОПАСНОСТИ

Далее приведено изображение и описание символов безопасности, которые могут присутствовать на данном устройстве. Перед сборкой или использованием внимательно прочитайте все инструкции, приведенные на устройстве, и соблюдайте их.

| | | |
|--|---------------------------------------------------------------------------------------------------------------|-------------------------------------------------------------------------------------------------------------------------------------------|
| | Предупреждение об опасности | Указывает на потенциальную опасность получения травмы. |
| | Внимательно прочитайте руководство по эксплуатации. | Чтобы уменьшить риск получения травм, перед использованием устройства необходимо прочитать и понять руководство по эксплуатации. |
| | Используйте защитные очки | При работе с данным устройством всегда используйте защиту для глаз или защитные очки с боковыми щитками и полнопрофильную защитную маску. |
| | ПРЕДУПРЕЖДЕНИЕ. Остерегайтесь отбрасываемых объектов. Не позволяйте посторонним находиться поблизости. | Предупреждает пользователя о необходимости остерегаться отбрасываемых объектов. Не позволяйте посторонним находиться поблизости. |
| | ОПАСНОСТЬ. Держите ноги и руки на расстоянии. | Предупреждает пользователя о необходимости держать ноги и руки на расстоянии. |
| | ПРЕДУПРЕЖДЕНИЕ. Держите руки и ноги подальше от зубьев. | Предупреждает пользователя о необходимости держать руки и ноги подальше от зубьев. |

RU

| | | |
|-------------------------------------------------------------------------------------|------------------------------|-------------------------------------------------------------------------------------------------------------------------------------------|
|  | CE | Соответствует основным требованиям стандартов безопасности Европейских директив. |
|  | UKCA | Данное изделие соответствует действующему законодательству Великобритании. |
|  | WEEE | Неисправные электрические устройства нельзя выбрасывать вместе с бытовым мусором. Сдавайте их в авторизованные пункты сбора и утилизации. |
|  | Шум | Гарантированный уровень звуковой мощности. Уровень шума в окружающей среде в соответствии с директивой ЕС. |
| V | Вольт | Напряжение |
|  | Постоянный ток | Тип или характеристика тока |
| мм | Миллиметр | Длина или размер |
| кг | Килограмм | Масса |
| мин. | Минуты | Время |
| n_0 | Скорость работы без нагрузки | Скорость вращения без нагрузки |

| | | |
|-------------------|--------------------------------------------------------|----------------------------------------------------------------------------------------------|
| мин ⁻¹ | Обороты или возвратно-поступательные движения в минуту | Количество оборотов, количество ходов, линейная скорость, количество витков и т. д. в минуту |
| об/мин | Оборотов в минуту | Скорость вращения |
| °C | Градусы Цельсия | Температура |

⚠ ПРЕДУПРЕЖДЕНИЕ. Для обеспечения безопасности и надежности устройства его ремонт должен выполнять квалифицированный специалист.

ОБЩИЕ ПРАВИЛА ТЕХНИКИ БЕЗОПАСНОСТИ ПРИ ИСПОЛЬЗОВАНИИ АККУМУЛЯТОРНЫХ УСТРОЙСТВ

⚠ ПРЕДУПРЕЖДЕНИЕ. ПРОЧИТАЙТЕ ВСЕ ПРАВИЛА БЕЗОПАСНОСТИ, ИНСТРУКЦИИ, ИЛЛЮСТРАЦИИ И СПЕЦИФИКАЦИИ, ПРИЛАГАЕМЫЕ К ЭТОМУ УСТРОЙСТВУ. Невыполнение изложенных ниже инструкций может привести к поражению электрическим током, пожару и (или) тяжелым травмам.

СОХРАНИТЕ ВСЕ ПРЕДУПРЕЖДЕНИЯ И ИНСТРУКЦИИ ДЛЯ ИСПОЛЬЗОВАНИЯ В БУДУЩЕМ.

Термин «устройство» в предупреждениях означает электроинструмент с питанием от сети (с кабелем) или с питанием от аккумулятора (без кабеля).

БЕЗОПАСНОСТЬ РАБОЧЕГО МЕСТА

- **Обеспечьте чистоту и освещенность рабочего места.** Загроможденные и плохо освещенные места служат причиной несчастных случаев.
- **Не используйте устройство во взрывоопасных местах, например вблизи горючих жидкостей, бензина или пыли.** Устройство генерирует искры, которые могут воспламенить пыль или испарения.
- **Не позволяйте детям и посторонним находиться вблизи работающего устройства.** Отвлекающие факторы могут привести к потере контроля.

ЭЛЕКТРОТЕХНИЧЕСКАЯ БЕЗОПАСНОСТЬ

- **Вилка устройства должна соответствовать розетке. Никогда не переделывайте вилку.**

Не используйте никакие переходники для вилок заземленных устройств. Использование оригинальных вилок и соответствующих им розеток уменьшает риск поражения электрическим током.

- Избегайте прикосновений к заземленным объектам, таким как трубы, радиаторы, плиты и холодильники. Риск поражения электрическим током выше, когда тело заземлено.
- Не эксплуатируйте устройство во время дождя или в условиях высокой влажности. Это может увеличить риск поражения электрическим током.
- Обращайтесь с кабелем аккуратно. Никогда не переносите, не тяните и не выключайте устройство за кабель. Держите кабель подальше от источников тепла, масла, острых предметов и движущихся частей. Поврежденные и запутанные кабели повышают риск поражения электрическим током.
- Для работы с устройством вне помещения используйте предназначенный для этого удлинительный кабель. Использование кабеля, подходящего для использования вне помещения, снижает риск поражения электрическим током.
- Если использование устройства в сыром месте неизбежно, подключайте его через выключатель короткого замыкания на землю (ВКЗЗ). Использование ВКЗЗ уменьшает риск поражения электрическим током.

ЛИЧНАЯ БЕЗОПАСНОСТЬ

- При использовании устройства будьте бдительны, следите за своими действиями и следуйте здравому смыслу. Не пользуйтесь устройством, если вы устали или находитесь под воздействием наркотиков, алкоголя или медикаментов. Даже кратковременная невнимательность при работе с устройством может привести к тяжелым травмам.
- Используйте средства индивидуальной защиты. Всегда используйте защитные средства для глаз. Защитное оборудование, такое как противовыплевая маска, нескользкая предохранительная обувь, жесткая каска или устройства защиты органов слуха в соответствующих условиях уменьшает риск травмирования.
- Не допускайте непредвиденных запусков. Перед подключением устройства к сети питания (или аккумулятору) и перед его переноской убедитесь, что выключатель находится в выключенном положении. Не держите палец на выключателе при переноске устройства и не

подключайте к источнику питания, если устройство включено. Это может привести к несчастному случаю.

- Перед включением устройства снимите с него регулировочные инструменты и гаечные ключи. Регулировочный инструмент или гаечный ключ, оставленный на вращающейся части устройства, может стать причиной травмы.
- Не тянитесь. Всегда сохраняйте устойчивое положение и равновесие. Это позволит лучше контролировать устройство в непредвиденных ситуациях.
- Одевайтесь надлежащим образом. Не надевайте свободную одежду и украшения. Держите волосы и одежду подальше от движущихся частей. Свободная одежда, украшения и длинные волосы могут попасть в движущиеся части.
- При наличии устройств для отвода и сбора пыли убедитесь, что они подключены и правильно работают. Использование пылеулавливающих устройств снижает вред, причиняемый пылью.
- Не допускайте небрежности, которая может возникнуть из-за частого использования устройства и повлечь за собой самоуверенность и игнорирование правил безопасности. Неосторожное действие может причинить серьезную травму за доли секунды.

RU

ЭКСПЛУАТАЦИЯ И ОБСЛУЖИВАНИЕ УСТРОЙСТВА

- Не прилагайте к устройству чрезмерных усилий. Используйте подходящее для ваших задач устройство. Правильно выбранное устройство более эффективно и безопасно при номинальной нагрузке.
- Не используйте устройство, если его выключатель неисправен. Устройство с неисправным выключателем опасно и подлежит ремонту.
- Перед регулировкой, сменой аксессуаров или хранением отключите устройство от сети питания и (или) извлеките аккумулятор, если это возможно. Такие меры предосторожности уменьшают риск случайного запуска устройства.
- Храните неиспользуемое устройство в недоступном для детей месте и не доверяйте устройство лицам, не знакомым с ним и с этими инструкциями. Такие устройства опасны в руках неподготовленных пользователей.
- Выполняйте техническое обслуживание устройства и принадлежностей. Проверьте

выравнивание и сцепление подвижных деталей, наличие поломок и прочие условия, которые могут повлиять на работу устройства. Если устройство повреждено, перед использованием его необходимо отремонтировать. Многие несчастные случаи вызваны неправильным техобслуживанием устройств.

- **Храните режущие устройства в чистоте и заточенном состоянии.** Правильно обслуживаемые и хорошо заточенные режущие устройства меньше заклинивают и лучше контролируются.
- **Используйте устройство, аксессуары, насадки и т. п. в соответствии с этими инструкциями, учитывая условия и специфику выполняемой работы.** Использование устройства для выполнения непредусмотренных операций может привести к опасным ситуациям.
- **Следите за тем, чтобы рукоятки и поверхности захвата были сухими и чистыми и на них не было масла или смазочного материала.** Скользкие рукоятки и поверхности захвата не позволяют безопасно использовать устройство и контролировать его в непредвиденных ситуациях.

ЭКСПЛУАТАЦИЯ И ОБСЛУЖИВАНИЕ АКУМУЛЯТОРНОГО УСТРОЙСТВА

- **Заряжайте аккумуляторы только с помощью зарядного устройства, указанного изготовителем.** Зарядное устройство, предназначенное для одного типа аккумуляторных батарей, может стать причиной пожара при использовании с другим типом батарей.
- **Используйте устройство только со специально предназначенными для него аккумуляторами.** Использование любого другого вида аккумуляторных батарей может стать причиной несчастных случаев или пожара.
- **Когда аккумулятор не используется, храните его отдельно от металлических предметов — канцелярских скрепок, монет, ключей, гвоздей, винтов и др. — они могут соединить контакты.** Короткое замыкание контактов аккумуляторной батареи может стать причиной ожогов или пожара.
- **При неблагоприятных обстоятельствах из аккумулятора может потечь электролит; избегайте контакта с ним. При случайном контакте промойте водой.** Если жидкость попала в глаза, обратитесь к врачу. Жидкость из аккумуляторной батареи может вызвать раздражение и ожоги.

- **Не используйте аккумулятор и устройство, если они повреждены или подвергались модификациям.** Поведение поврежденных или модифицированных аккумуляторов может быть непредсказуемым, что приведет к возгоранию, взрыву и риску получения травм.
- **Не подвержайте аккумуляторную батарею и устройство воздействию огня и высокой температуры.** Воздействие огня или температуры выше 130 °C может привести к взрыву.
- **Следуйте всем инструкциям по зарядке и не заряжайте аккумулятор и устройство при температуре, выходящей за пределы указанного диапазона.** Если зарядка выполняется неправильно или в условиях неподходящей температуры, это может привести к повреждению аккумулятора и возгоранию.

РЕМОНТ

- **Ремонт устройства должен производиться квалифицированным специалистом с использованием только идентичных запасных частей.** Это обеспечит безопасную работу устройства.
- **Никогда не выполняйте обслуживание поврежденного аккумулятора.** Обслуживание аккумуляторов должно выполняться только производителем или в авторизованном сервисном центре.

ПРАВИЛА ТЕХНИКИ БЕЗОПАСНОСТИ ПРИ РАБОТЕ С ОЧИСТИТЕЛЕМ ГАЗОНА

- **Не используйте устройство при плохих погодных условиях, особенно в грозу.** Это позволит снизить риск удара молнией.
- **Тщательно проверьте участок, где будет использоваться устройство, на наличие животных.** Животные могут быть травмированы устройством во время работы.
- **Тщательно осмотрите участок, где будет использоваться устройство, и уберите все камни, палки, провода, кости и другие посторонние предметы.** Отбрасываемые предметы могут нанести травмы.
- **Перед работой всегда осматривайте зубья и весь узел в сборе на наличие износа и повреждений.** Изношенные и поврежденные детали повышают риск получения травм.
- **Щитки всегда должны находиться на своих местах. Щитки должны быть надежно закреплены и находиться в рабочем состоянии.**

RU

Ослабленные, поврежденные или неисправные щетки могут привести к получению травмы.

- **Следите за чистой вентиляционных отверстий.** Засорение вентиляционных отверстий и мусор могут привести к перегреву или возгоранию.
- **Во время работы с устройством всегда носите нескользящую защитную обувь. Не работайте с устройством босиком или в открытых сандалиях.** Это снижает вероятность травмирования ног в результате контакта с движущимися зубьями.
- **Во время работы с устройством всегда носите длинные брюки.** Наличие открытых участков кожи увеличивает вероятность травм от отбрасываемых предметов.
- **Не эксплуатируйте устройство в мокрой траве. Передвигайтесь шагом, не бегайте.** Это снижает риск соскальзывания и падения, что может привести к травме.
- **Не используйте устройство на очень крутых склонах.** Это снижает риск потери контроля, соскальзывания и падения, что может привести к травме.
- **При работе на склонах всегда следите за равновесием, перемещайтесь только поперек склона, а не вверх и вниз, и будьте крайне осторожны при смене направления движения.** Это снижает риск потери контроля, соскальзывания и падения, что может привести к травме.
- **Будьте предельно осторожны, двигаясь задним ходом или перемещая устройство по направлению к себе. Всегда следите за окружающей обстановкой.** Это снижает риск споткнуться во время работы.
- **Держите устройство только за поверхности с защитным покрытием, так как зубья могут коснуться скрытой электропроводки.** Касание зубьями проводки под напряжением может передать напряжение на металлические части устройства и привести к поражению оператора электрическим током.
- **Не прикасайтесь к зубьям и другим опасным движущимся частям, пока они находятся в движении.** Это снижает риск травм от движущихся частей.
- **При извлечении застрявшего материала и очистке устройства убедитесь, что все выключатели питания находятся в выключенном положении, а аккумулятор отсоединен.** Неожиданное включение устройства может привести к тяжелым травмам.

ДОПОЛНИТЕЛЬНЫЕ ПРЕДУПРЕЖДЕНИЯ

- Используйте только с приводным блоком EGO PH1400E/PH1420E/PHX1600.
ПРИМЕЧАНИЕ. Подробные правила техники безопасности и инструкции по эксплуатации см. в руководстве по эксплуатации приводного блока EGO PH1400E/PH1420E/PHX1600.

СОХРАНИТЕ НАСТОЯЩУЮ ИНСТРУКЦИЮ

ТЕХНИЧЕСКИЕ ХАРАКТЕРИСТИКИ

| | |
|------------------------------------------------------------------------------------------|--------------------------------------------|
| Максимальная рабочая ширина | 355 мм |
| Скорость вращения без нагрузки (для PH1420E) | Низкая: 2600 об/мин |
| | Высокая: 3000 об/мин |
| Регулировка глубины | 3 позиции |
| Глубина очищения | 0 / 10 мм / 20 мм |
| Рекомендуемая рабочая температура | От 0 до 40 °C |
| Рекомендуемая температура хранения | От -20 до 70 °C |
| Измеренный уровень звуковой мощности L_{WA} | 88 дБ (A) K=2 дБ (A) (PH1400E) |
| | 88,49 дБ (A) K=0,81 дБ (A) (PH1420E) |
| | 90 дБ (A) K=0,9 дБ (A) (PHX1600) |
| Уровень звукового давления на уши оператора L_{PA} | 82 дБ (A) K=3 дБ (A) (PH1400E) |
| | 79,8 дБ (A) K=3 дБ (A) (PH1420E) |
| | 82 дБ (A) K=3 дБ (A) (PHX1600) |
| Гарантированный уровень звуковой мощности L_{WA} (измерен в соответствии с 2000/14/EC) | 92 дБ (A) |

RU

| | | |
|--------------------------------|-----------------------------------------|--------------------------------------------|
| Значение вибрации a_n | Передняя вспомогательная рукоятка | 2,35 m/c^2 K=1,5 m/c^2 (PH1400E) |
| | | 2,36 m/c^2 K=1,5 m/c^2 (PH1420E) |
| | | 2,63 m/c^2 K=1,5 m/c^2 (PHX1600) |
| | Rear handle | 2,66 m/c^2 K=1,5 m/c^2 (PH1400E) |
| | | 2,24 m/c^2 K=1,5 m/c^2 (PH1420E) |
| | | 1,74 m/c^2 K=1,5 m/c^2 (PHX1600) |
| Масса (с цилиндром очистителя) | 7,4 кг | |

RU

- Вышеуказанные параметры протестированы и измерены при использовании с приводными блоками PH1400E/PH1420E/PHX1600.
- Указанное общее значение вибрации было определено с помощью стандартного теста и может быть использовано для сравнения разных инструментов.
- Указанное общее значение вибрации также может использоваться для предварительной оценки уровня воздействия.

⚠ ПРЕДУПРЕЖДЕНИЕ. Реальное вибрационное воздействие устройства может отличаться от указанного в зависимости от способа использования. В целях безопасности оператор должен надевать перчатки и средства защиты органов слуха во время использования устройства.

⚠ ПРЕДУПРЕЖДЕНИЕ. Необходимо определить меры безопасности для защиты оператора на основе оценки воздействия в реальных условиях использования (учитывая все периоды рабочего цикла — время, когда устройство выключено и когда оно работает вхолостую, а также время запуска).

ОПИСАНИЕ

ЧАСТИ ОЧИСТИТЕЛЯ ГАЗОНА (Рис. А)

1. Концевой колпачок (2)
2. Вал насадки

3. Нижняя крышка
4. Колесо
5. Верхняя крышка в сборе
6. Рычаг регулировки глубины
7. Защитный отражатель
8. Штанга скребка
9. Шестигранный ключ 4 мм
10. Шестигранный ключ 5 мм
11. Зубец граблей
12. Цилиндр очистителя

СБОРКА

⚠ ПРЕДУПРЕЖДЕНИЕ. Если какие-либо части повреждены или отсутствуют, не используйте устройство, пока они не будут установлены. Использование устройства с поврежденными или отсутствующими частями может привести к серьезным травмам.

⚠ ПРЕДУПРЕЖДЕНИЕ. Не пытайтесь изменить конструкцию устройства или создать не рекомендованные для него дополнительные приспособления. Подобное изменение считается ненадлежащим использованием и способствует возникновению опасной ситуации, которая приведет к получению серьезной травмы.

ПОДСОЕДИНЕНИЕ ВАЛА НАСАДКИ К ОЧИСТИТЕЛЮ В СБОРЕ (Рис. В)

| | | | |
|-----|-------------|-----|---------------------|
| В-1 | Болт М5 | В-4 | Отверстие |
| В-2 | Болт | В-5 | Отверстие для винта |
| В-3 | Вал насадки | В-6 | Нижняя крышка |

1. Положите очиститель в сборе вверх дном на устойчивую ровную поверхность.
2. Снимите концевой колпачок с переднего конца вала насадки.
3. Расположите вал насадки отверстием вверх и вставьте его в нижнюю крышку насадки до упора. Совместите отверстие для винта в нижней крышке с отверстием вала насадки.
4. С помощью прилагаемого шестигранного ключа 4 мм закрепите нижнюю крышку на валу насадки с помощью болта М5.
5. С помощью шестигранного ключа надежно затяните два предварительно установленных болта на нижней крышке.

⚠ ПРЕДУПРЕЖДЕНИЕ. Перед использованием устройства убедитесь, что три болта полностью затянуты. Во время использования время от времени проверяйте надежность их затяжки, чтобы предотвратить риск получения травм.

УСТАНОВКА ОЧИСТИТЕЛЯ ГАЗОНА НА ПРИВОДНОЙ БЛОК

Этот очиститель газона предназначен для использования с приводным блоком EGO RH1400E/RH1420E/RHX1600.

См. раздел **УСТАНОВКА ИНСТРУМЕНТА НА ПРИВОДНОЙ БЛОК** в руководстве пользователя приводного блока RH1400E/RH1420E/RHX1600.

ИСПОЛЬЗОВАНИЕ

⚠ ПРЕДУПРЕЖДЕНИЕ. Не допускайте небрежности и беспечности при работе с устройством. Помните, что потеря бдительности даже на долю секунды может привести к серьезной травме.

⚠ ПРЕДУПРЕЖДЕНИЕ. Всегда используйте защитные средства для глаз. В противном случае выбрасываемые предметы могут попасть в глаза, что приведет к получению серьезной травмы.

⚠ ПРЕДУПРЕЖДЕНИЕ. Чтобы предотвратить получение серьезных травм, извлекайте аккумулятор перед выполнением сервисного обслуживания, очистки, замены принадлежностей или удаления материала из устройства.

⚠ ПРЕДУПРЕЖДЕНИЕ. Не используйте насадки или дополнительные приспособления, не рекомендованные производителем устройства. Использование нерекондованных насадок и дополнительных приспособлений может привести к серьезным травмам.

ПРИМЕНЕНИЕ

Удаление с газонов засохших обрезков, мха, остатков травы и корней.

ВКЛЮЧЕНИЕ И ВЫКЛЮЧЕНИЕ ОЧИСТИТЕЛЯ ГАЗОНА

Перед использованием очистителя газона

⚠ ПРЕДУПРЕЖДЕНИЕ. Во избежание травм всегда надевайте защитные очки при работе с данным устройством. Надевайте маску или респиратор при работе в пыльной среде. Во время работы надевайте соответствующую одежду и обувь, чтобы снизить

риск получения травм, которые могут быть вызваны летящими обломками.

- Перед использованием тщательно проверьте устройство на наличие повреждений. Не пользуйтесь устройством, если оно повреждено или имеет признаки износа.
- Убедитесь, что на газоне нет камней, палок, проводов и других предметов, которые могут повредить устройство.
- Перед работой подстригите газон, а затем удобрите его.

Советы по использованию

Чтобы весной газон был красивым, корневую систему необходимо насыщать кислородом. Рекомендуется очищать газон не менее двух раз в год, весной и осенью, в зависимости от состояния газона.

- В целях безопасности не работайте на склонах с уклоном более 15 градусов. Работайте только поперек склона, а не вдоль. Будьте очень осторожны при перемене направления движения по склону.
- Не работайте с устройством на влажном газоне. Мокрая трава прилипает к платформе и зубьям и может стать причиной соскальзывания и падения.
- Держите устройство двумя руками. Для обеспечения безопасности рукоятки должны быть сухими.
- Медленно толкайте устройство вперед. Перемещайте устройство с подходящей скоростью. Не перемещайте его слишком быстро. В противном случае зубья могут застрять, что приведет к перегрузке двигателя.
- Немедленно выключайте устройство, если в рабочую зону входят посторонние. Прежде чем положить инструмент, дождитесь его полной остановки.
- Не переутомляйтесь. Регулярно делайте перерывы, чтобы работать сосредоточенно и полностью контролировать устройство.
- Работайте, слегка перекрывая полосы обработки. Наиболее эффективная схема обработки — по прямой линии вдоль одной из сторон (Рис. С). Это позволит сделать линии обработки ровными и гарантирует, что весь газон будет очищен без пропусков.
- Будьте особенно осторожны при смене направления движения.
- Следите за тем, чтобы находиться в устойчивом положении. В результате соскальзывания или

RU

падения можно получить серьезную травму. В случае потери равновесия немедленно выключите двигатель.

- Не работайте возле обрывов, канав и берегов, это может привести к потере равновесия и падению.

Включение и выключение очистителя газона

См. раздел **ВКЛЮЧЕНИЕ И ВЫКЛЮЧЕНИЕ ПРИВОДНОГО БЛОКА** в руководстве пользователя РН1400Е/РН1420Е /РНХ1600.

⚠ ПРЕДУПРЕЖДЕНИЕ. Остановите устройство, если его необходимо наклонить для пересечения нетравянистого участка, а также при транспортировке устройства с одного обрабатываемого участка на другой.

⚠ ПРЕДУПРЕЖДЕНИЕ. Не наклоняйте устройство при включении двигателя, если процедура запуска этого не требует. В этом случае наклоняйте устройство в сторону от себя и не выше, чем требуется.

RU

Проверка засорения зубьев

- Во избежание засорения очищайте нижнюю часть устройства до и после каждого использования, чтобы удалить скопившийся мусор.
- При засорении остановите устройство и извлеките аккумулятор, затем удалите скопления травы и листьев с зубьев и платформы. Протрите устройство начисто влажной тканью.

РЕГУЛИРОВКА ГЛУБИНЫ (Рис. D)

⚠ ПРЕДУПРЕЖДЕНИЕ. Не подставляйте ноги под платформу во время регулировки глубины.

Доступно три положения регулировки глубины.

1 и 2: рабочее положение

3: транспортировочное положение

Отрегулируйте глубину в соответствии с требованиями к газону.

1. Выключите устройство и дождитесь его полной остановки.
2. Извлеките аккумулятор.
3. Вытяните рычаг регулировки глубины из фиксатора и установите его в нужное положение.

| | | | |
|-----|---------------------------|-----|-------------------|
| D-1 | Рычаг регулировки глубины | D-2 | Положение глубины |
|-----|---------------------------|-----|-------------------|

ОБСЛУЖИВАНИЕ

⚠ ПРЕДУПРЕЖДЕНИЕ. Прежде чем выполнять проверку, очистку или обслуживание устройства, выключите двигатель, дождитесь, пока все движущиеся детали полностью остановятся, а затем извлеките аккумулятор. Несоблюдение данных инструкций может привести к серьезным травмам или материальному ущербу.

⚠ ПРЕДУПРЕЖДЕНИЕ. Всегда надевайте защитные очки с боковыми щитками. В противном случае выбрасываемые предметы попадут в глаза, что может привести к получению серьезной травмы.

⚠ ПРЕДУПРЕЖДЕНИЕ. При ремонте используйте только идентичные запасные части. Использование других запасных частей может привести к возникновению опасной ситуации или повреждению устройства. Чтобы обеспечить безопасность и надежность устройства, любой ремонт, кроме указанного в данных инструкциях по обслуживанию, должен выполнять квалифицированный специалист.

⚠ ПРЕДУПРЕЖДЕНИЕ. После столкновения с посторонним предметом остановите устройство и извлеките аккумулятор, чтобы убедиться, что все движущиеся части полностью остановились. Перед повторным запуском и эксплуатацией осмотрите устройство на наличие повреждений и при необходимости отремонтируйте.

⚠ ПРЕДУПРЕЖДЕНИЕ. В случае чрезмерной вибрации устройства остановите его и извлеките аккумулятор, чтобы убедиться, что все движущиеся части полностью остановились. Затем немедленно осмотрите устройство на наличие повреждений, замените или отремонтируйте поврежденные части, проверьте и затяните все ослабленные детали.

⚠ ПРЕДУПРЕЖДЕНИЕ. Соблюдайте осторожность во время регулировки устройства, чтобы пальцы не застряли между вращающимися и неподвижными частями устройства.

ОЧИСТКА

⚠ ПРЕДУПРЕЖДЕНИЕ. При очистке устройства НЕ погружайте его в воду и другие жидкости.

Не используйте растворители для очистки пластиковых частей. Большинство пластиковых частей чувствительны к различным бытовым растворителям и могут быть повреждены. Для очистки от грязи, пыли, масла, смазки и т. п. используйте чистую ткань.

СМАЗКА

Все подшипники в данном устройстве смазаны высококачественным смазочным материалом в количестве, достаточном для срока службы в условиях нормальной эксплуатации. Поэтому дополнительная смазка подшипников не требуется.

ЗАМЕНА ЦИЛИНДРА

⚠ ПРЕДУПРЕЖДЕНИЕ. Перед выполнением любого технического обслуживания всегда извлекайте аккумулятор и ждите, пока зубчатый цилиндр полностью не остановится. При работе с зубьями надевайте защитные перчатки.

Снятие цилиндра

1. Извлеките аккумулятор из приводного блока.
2. Положите насадку вверх дном на ровную устойчивую поверхность.
3. Используйте прилагаемый шестигранный ключ 5 мм, чтобы открутить два стопорных болта опоры подшипника цилиндра очистителя (Рис. Е1).
4. Нажимайте на цилиндр очистителя влево, пока шлицевой вал на правом конце не выйдет из шлицевой ступицы устройства (Рис. Е2).
5. Снимите цилиндр очистителя с устройства (Рис. Е3).

| | | | |
|------|------------------|------|--------------------|
| Е1-1 | Опора подшипника | Е1-2 | Цилиндр очистителя |
| Е2-1 | Шлицевой вал | Е2-2 | Шлицевая ступица |

Установка нового цилиндра

1. Поместите опору подшипника нового цилиндра на основание устройства и сдвиньте цилиндр влево до упора (Рис. F1).
2. Выровняйте и вставьте шлицевой вал с правой стороны цилиндра в шлицевую ступицу устройства (Рис. F2).
3. Совместите два отверстия опоры подшипника с отверстиями основания и закрепите опору подшипника на основании с помощью стопорных болтов (Рис. F3).

ЗАМЕНА ЗУБЬЕВ

При нормальном использовании зубья со временем могут изнашиваться или ломаться. Если регулировка глубины зубьев больше не обеспечивает нужной производительности очистки или зуб сломался, выполните следующие действия для замены зубьев.

Снятие зуба

1. Извлеките аккумулятор из приводного блока.
2. Положите насадку вверх дном на ровную устойчивую поверхность.
3. Вставьте два штифта зуба в паз 1 цилиндра и снимите зуб с цилиндра, как показано на Рис. G.

| | | | |
|-----|-------|-----|-------|
| G-1 | Штифт | G-2 | Паз 1 |
|-----|-------|-----|-------|

Установка зуба (Рис. H)

1. Вставьте штифт зуба в паз 1 цилиндра (шаг 1).
2. Вставьте опору зуба в паз 2 цилиндра (шаг 2).
3. Вставьте два штифта зуба в паз 1, сдвиньте вперед до положения в пазу 3, и два штифта автоматически встанут на место (шаги 3 и 4).

| | | | |
|-----|-------|-----|-------|
| H-1 | Штифт | H-2 | Паз 1 |
| H-3 | Паз 2 | H-4 | Паз 3 |

ТРАНСПОРТИРОВКА И ХРАНЕНИЕ

- Извлеките аккумулятор из приводного блока.
- Перед помещением устройства на хранение всегда дожидайтесь, пока оно остынет.
- Тщательно очистите устройство перед хранением.
- Храните устройство в сухом, хорошо проветриваемом, закрытом или высокоом месте, недоступном для детей. Не храните устройство рядом с удобрениями, бензином или другими химическими веществами.

ОХРАНА ОКРУЖАЮЩЕЙ СРЕДЫ



Не выбрасывайте электроприборы, зарядные устройства и аккумуляторные батареи вместе с бытовыми отходами! Отправьте данное изделие на переработку в специализированное предприятие или сдайте его для раздельного сбора. Устройства должны быть возвращены на перерабатывающее предприятие, не наносящее ущерба окружающей среде.

RU

УСТРАНЕНИЕ НЕПОЛАДОК

| ПРОБЛЕМА | ПРИЧИНА | РЕШЕНИЕ |
|---------------------------------------------------------------------|-----------------------------------------------------------------------------------------------------------------------------------------------------------------------------------------------------------------|------------------------------------------------------------------------------------------------------------------------------------------------------------------------------------------------------------------------------------------------------------|
| Двигатель не запускается | <ul style="list-style-type: none"> ■ Аккумулятор разряжен. ■ Кнопка блокировки и курковый переключатель используются неправильно. ■ Аккумулятор не полностью вставлен в отсек. | <ul style="list-style-type: none"> ■ Зарядите аккумулятор. ■ См. инструкции в разделе ВКЛЮЧЕНИЕ И ВЫКЛЮЧЕНИЕ ПРИВОДНОГО БЛОКА в руководстве пользователя. ■ Убедитесь, что аккумулятор полностью вставлен в отсек. |
| Устройство издает посторонние звуки. | <ul style="list-style-type: none"> ■ Мусор или посторонние предметы мешают зубьям устройства. | <ul style="list-style-type: none"> ■ Остановите двигатель, извлеките аккумулятор и удалите мусор и посторонние предметы, мешающие нормальной работе устройства. |
| Устройство работает неправильно или результаты неудовлетворительны. | <ul style="list-style-type: none"> ■ Трава слишком высокая. | <ul style="list-style-type: none"> ■ Прежде чем приступить к очистке, подстригите газон. |
| | <ul style="list-style-type: none"> ■ На внутреннюю поверхность платформы налип мусор. | <ul style="list-style-type: none"> ■ Перед очисткой дождитесь высыхания газона. |
| | <ul style="list-style-type: none"> ■ Установлена неправильная глубина. | <ul style="list-style-type: none"> ■ Отрегулируйте глубину зубьев для достижения желаемого результата. |
| | <ul style="list-style-type: none"> ■ Зубья изношены или повреждены. | <ul style="list-style-type: none"> ■ При необходимости замените зубья. |

RU

ГАРАНТИЯ

ГАРАНТИЙНАЯ ПОЛИТИКА EGO

Посетите веб-сайт egopowerplus.eu, чтобы ознакомиться со всеми условиями и сроками гарантийной политики EGO.

PRZECZYTAJ WSZYSTKIE INSTRUKCJE!



PRZECZYTAJ INSTRUKCJĘ OBSŁUGI

SYMBOLE BEZPIECZEŃSTWA

Celem symboli bezpieczeństwa jest zwrócenie uwagi użytkownika na możliwe zagrożenia. Symbole bezpieczeństwa i objaśnienia do nich sąsiadują na to, aby je uważnie przestudiować i zrozumieć. Symbole bezpieczeństwa nie eliminują same z siebie jakichkolwiek zagrożeń. Podane w nich instrukcje i ostrzeżenia nie zastępują odpowiednich środków zapobiegania wypadkom.

⚠️ OSTRZEŻENIE: Przed użyciem maszyny należy koniecznie przeczytać ze zrozumieniem wszystkie instrukcje dotyczące bezpieczeństwa podane w podręczniku użytkownika, łącznie z wszystkimi ostrzeżeniami symbolami ostrzegawczymi takimi jak „NIEBEZPIECZEŃSTWO”, „OSTRZEŻENIE” i „PRZESTROGA”. Niestosowanie się do wszystkich podanych niżej instrukcji może doprowadzić do porażenia prądem, pożaru i/lub poważnych urazów ciała.

ZNACZENIE SYMBOLI

⚠️ SYMBOL OSTRZEGAWCZY: Oznacza NIEBEZPIECZEŃSTWO, OSTRZEŻENIE lub PRZESTROGĘ. Może być używany razem z innymi symbolami lub piktogramami.



⚠️ OSTRZEŻENIE: Praca maszynami może spowodować wyrzucenie ciał obcych w oczy użytkownika, co może doprowadzić do poważnych urazów oczu. Przed rozpoczęciem pracy maszyną należy



zawsze założyć gogle ochronne lub okulary z osłonami bocznymi, a w stosownych przypadkach także pełną osłonę na twarz. Zalecamy nakładanie na zwykłe okulary maski zabezpieczającej o szerokim polu widzenia lub stosowanie standardowych okularów zabezpieczających z osłonami bocznymi.

INSTRUKCJE DOTYCZĄCE BEZPIECZEŃSTWA

Na tej stronie pokazano i opisano symbole bezpieczeństwa, które mogą występować na produkcie. Przed podjęciem próby złożenia i użycia maszyny należy przeczytać i zrozumieć wszystkie instrukcje dotyczące maszyny oraz zastosować się do nich.

| | | |
|--|---------------------------------------------------------------------------------------------------|----------------------------------------------------------------------------------------------------------------------------------------------|
| | Ostrzeżenie dotyczące bezpieczeństwa | Wskazuje na potencjalne ryzyko urazów ciała. |
| | Przeczytaj ze zrozumieniem instrukcję użytkownika | Aby zmniejszyć ryzyko urazów, przed rozpoczęciem korzystania z produktu, użytkownik musi przeczytać i zrozumieć instrukcję. |
| | Noś okulary ochronne | Podczas używania produktu należy zawsze nosić gogle ochronne lub okulary ochronne z osłonami bocznymi, a także pełną osłonę na twarz. |
| | OSTRZEŻENIE – Uwaga na przedmioty wyrzucane w powietrze – osoby postronne należy trzymać z daleka | Przypomina użytkownikowi, o przedmiotach wyrzucanych w powietrze – osoby postronne należy trzymać z daleka. |
| | NIEBEZPIECZEŃSTWO – Ręce i stopy należy trzymać z daleka | Przypomina użytkownikowi, że ręce i stopy należy trzymać z daleka. |
| | OSTRZEŻENIE – Ręce i stopy należy trzymać z dala od ostrzy | Przypomina użytkownikowi, że ręce i stopy należy trzymać dala od ostrzy. |
| | CE | Ten produkt jest zgodny z obowiązującymi dyrektywami WE. |
| | UKCA | Produkt jest zgodny z dyrektywami obowiązującymi w Wielkiej Brytanii. |
| | WEEE | Zużytych wyrobów elektrycznych nie należy wyrzucać razem ze zwykłymi odpadami domowymi. Należy je oddać do autoryzowanego punktu recyklingu. |

PL

| | | |
|-----------------------------------------------------------------------------------|------------------------------------|---------------------------------------------------------------------------------------------------------------|
|  | Hałas | Gwarantowany poziom mocy akustycznej. Emisja hałasu do środowiska zgodnie z dyrektywą Wspólnoty Europejskiej. |
| V | Wolt | Napięcie |
|  | Prąd stały (DC) | Rodzaj lub charakterystyka prądu |
| mm | Milimetr | Długość lub rozmiar |
| kg | Kilogram | Ciężar |
| min | Minuty | Czas |
| n ₀ | Prędkość bez obciążenia | Prędkość obrotowa bez obciążenia |
| Min ⁻¹ | Obroty lub liczba skoków na minutę | Obroty, skoki, prędkość powierzchniowa, orbity itp. na minutę |
| obr./min | Obroty na minutę | Prędkość obrotowa |
| °C | Stopnie Celsjusza | Temperatura |

⚠ OSTRZEŻENIE: Aby zagwarantować bezpieczeństwo i niezawodność, wszystkie naprawy powinny być wykonywane przez wykwalifikowanych techników serwisu.

OGÓLNE OSTRZEŻENIA DOTYCZĄCE BEZPIECZEŃSTWA MASZYN ZASILANYCH NA BATERIE

⚠ OSTRZEŻENIE: PROSIMY PRZECZYTAĆ WSZYSTKIE OSTRZEŻENIA I INSTRUKCJE ORAZ PRZESTUDIOWAĆ SPECYFIKACJĘ I ILUSTRACJE DOSTARCZONE WRAZ Z MASZYNĄ. Niestosowanie się do wszystkich podanych niżej instrukcji może doprowadzić do porażenia prądem, pożaru i/lub poważnych obrażeń.

WSZYSTKIE OSTRZEŻENIA I INSTRUKCJE NALEŻY ZACHOWAĆ NA PRZYSZŁOŚĆ.

Termin „maszyna” występujący w ostrzeżeniach dotyczy maszyny elektrycznej o zasilaniu sieciowym (przewodowej) lub akumulatorowym (bezprowodowej).

BEZPIECZEŃSTWO W MIEJSCU PRACY

- **Należy dbać o czystość i dobre oświetlenie w miejscu pracy.** Bałagan i złe oświetlenie sprzyjają wypadkom.
- **Maszyn nie należy używać w miejscach zagrożonych wybuchem, np. w obecności łatwopalnych cieczy, gazów lub pyłu.** Maszyny wytwarzają iskry, które mogą zapalić pył lub opary.
- **W czasie pracy maszyną należy trzymać z dala od dzieci i osób postronnych.** Chwila nieuwagi może doprowadzić do utraty kontroli nad urządzeniem.

BEZPIECZEŃSTWO ELEKTRYCZNE

- **Wtyczki maszyn muszą pasować do gniazdka. Nigdy w jakikolwiek sposób nie wolno przerabiać wtyczki. Do maszyn wymagających uziemienia nie należy używać przejściówek.** Oryginalne wtyczki i pasujące do nich gniazdka zmniejszają ryzyko porażenia prądem.
- **Należy unikać dotykania ciałem powierzchni uziemionych, takich jak np. rury, kaloryfery, kuchenki i lodówki.** Uziemienie ciała zwiększa ryzyko porażenia prądem.
- **Maszyny nie należy używać podczas deszczu lub w warunkach dużej wilgotności.** Może to zwiększyć ryzyko porażenia prądem.
- **Nie należy nadwyręzać przewodu. Nigdy nie należy używać przewodu do noszenia lub ciągnięcia maszyny; nie wolno chwycić za przewód, aby wyjąć wtyczkę z kontaktu. Przewód należy chronić przed gorącym, ropą, olejem, ostrymi krawędziami i poruszającymi się częściami.** Splątane lub uszkodzone przewody zwiększają ryzyko porażenia prądem.
- **Podczas używania maszyny na dworze należy stosować przedłużacz nadający się do używania na dworze.** Używanie przewodu przeznaczonego do stosowania na dworze zmniejsza ryzyko porażenia prądem.
- **Jeżeli użycie maszyny w miejscu o dużej wilgotności jest nieuniknione, należy stosować zasilanie zabezpieczone wyłącznikiem różnicowoprądowym.** Używanie wyłącznika różnicowoprądowego zmniejsza ryzyko porażenia prądem.

BEZPIECZEŃSTWO OSOBISTE

- **Podczas używania maszyny należy zachowywać czujność, patrzeć, co się robi i kierować się zdrowym rozsądkiem. Nie należy używać maszyny, gdy użytkownik jest zmęczony, albo pod wpływem**

narkotyków, alkoholu lub leków. Chwila nieuwagi w czasie posługiwania się maszyną może spowodować poważne urazy.

- **Należy używać środków ochrony osobistej. Należy zawsze nosić okulary ochronne.** Stosowanie w odpowiednich warunkach sprzętu ochronnego takiego jak np. maska przeciwpyłowa, obuwie ochronne z podeszwami antypoślizgowymi, kask lub ochronniki słuchu zmniejszy ewentualne obrażenia.
- **Nie należy dopuszczać do przypadkowego włączenia. Należy pilnować, aby przed podłączeniem maszyny do zasilania i/lub baterii akumulatorowej oraz przed podniesieniem i przenoszeniem przełącznik był ustawiony w pozycji „wyłączone”.** Trzymanie palca na przełączniku włączającym w czasie przenoszenia maszyn lub podłączanie ich do zasilania, gdy przełącznik ustawiony jest w pozycji „włączone”, może doprowadzić do wypadku.
- **Przed włączeniem maszyny należy usunąć wszystkie klucze regulacyjne i inne narzędzia.** Klucz zaczepiony o obracającą się część maszyny może spowodować obrażenia.
- **Nie należy sięgać za daleko. Należy zawsze dbać o utrzymanie równowagi i pewne podparcie nóg.** W nieprzewidzianych sytuacjach zapewnia to lepszą kontrolę nad maszyną.
- **Należy nosić odpowiednią odzież. Nie powinno się nosić luźnych ubrań ani biżuterii. Włosy i odzież należy trzymać w bezpiecznej odległości od poruszających się części.** Luźne ubrania, biżuteria lub długie włosy mogą zaczepić się o poruszające się części.
- **Jeżeli urządzenie jest przystosowane do podłączania do odsysacza pyłu i urządzenia zbierającego, należy dopilnować, aby systemy te były podłączone i właściwie stosowane.** Używanie systemów służących do pochłaniania pyłu może zmniejszyć zagrożenia związane z pyłem.
- **Nie wolno dopuścić do tego, aby poczucie znajomości maszyn wynikające z ich częstego używania doprowadziło do lekceważenia i ignorowania zasad bezpieczeństwa.** Jedno lekkomyślne działanie może w ułamku sekundy doprowadzić do ciężkich urazów.

UŻYWANIE I UTRZYMANIE MASZINY

- **Maszyny nie należy forsować. Należy używać maszyny odpowiedniej do wykonywanej pracy.** Odpowiednia maszyna wykona pracę lepiej i bezpieczniej, gdy pozwoli się jej pracować z prędkością/

obrotami do jakich została zaprojektowana.

- **Nie należy używać maszyny, jeżeli przełącznik zasilania nie włącza jej lub nie wyłącza.** Maszyna, której nie da się kontrolować przełącznikiem, jest potencjalnie niebezpieczna i wymaga naprawy.
- **Przed przystąpieniem do regulacji maszyny oraz przed wymianą akcesoriów lub odłożeniem maszyny na miejsce, należy odłączyć ją od zasilania i/lub wyjąć akumulator.** Tego typu zapobiegawcze środki ostrożności zmniejszają ryzyko przypadkowego włączenia się maszyny.
- **Nieużywane maszyny należy przechowywać w miejscu niedostępnym dla dzieci. Nie wolno dopuszczać do obsługi maszyny przez osoby, które nie znają maszyny lub nie zapoznały się z niniejszą instrukcją.** W rękach nieprzeszkolonych użytkowników maszyny mogą stanowić zagrożenie.
- **Maszyny i akcesoria należy utrzymywać w dobrym stanie. Należy kontrolować, czy części ruchome nie są odchylone od osi, nie zacinają się i nie są pęknięte lub uszkodzone w inny sposób, który mógłby wpłynąć na działanie maszyny.** Jeśli maszyna jest uszkodzona, przed użyciem należy ją naprawić. Wiele wypadków wynika ze złej konserwacji maszyn.
- **Należy dbać o czystość i naostrzenie maszyn tnących.** Odpowiednio utrzymane maszyny tnące z ostrymi krawędziami tnącymi są mniej narażone na zakleszczanie się i łatwiej jest je kontrolować.
- **Maszyny, akcesoriów, wiertel, bitów, itp. należy używać zgodnie z niniejszą instrukcją, z uwzględnieniem warunków i rodzaju wykonywanej pracy.** Korzystanie z maszyny niezgodnie z przeznaczeniem może doprowadzić do niebezpiecznych sytuacji.
- **Należy dbać o to, aby uchwyty i powierzchnie do trzymania były suche, czyste i niezaplamiłe olejem lub smarem.** Śliskie uchwyty nie pozwalają w bezpieczny sposób kontrolować maszyny w nieprzewidzianych sytuacjach.

UŻYWANIE I UTRZYMANIE MASZINY AKUMULATOROWEJ

- **Do ładowania należy używać wyłącznie ładowarki wskazanej przez producenta.** Użycie ładowarki pochodzącej od jednego akumulatora do ładowania innego akumulatora grozi pożarem.
- **Maszyn należy używać wyłącznie z dedykowanymi do nich akumulatorami.** Użycie jakichkolwiek innych akumulatorów grozi obrażeniami i pożarem.
- **Jeżeli akumulator nie jest używany, należy go**

przechowywać z dala od innych przedmiotów metalowych, np. spinaczy, monet, kluczy, gwoździ, śrub, wkrętów i innych drobnych przedmiotów metalowych, które mogłyby spowodować zwarcie wyprowadzeń akumulatora. Zwarcie wyprowadzeń akumulatora może doprowadzić do oparzeń lub pożaru.

- **W niesprzyjających warunkach może dojść do wycieku cieczy z akumulatora. Należy wtedy unikać wszelkiego kontaktu z tą cieczą. W razie przypadkowego kontaktu ze skórą, zabrudzone miejsce należy obficie przemyć wodą.** Jeżeli płyn dostanie się do oczu, należy dodatkowo zasięgnąć porady lekarza. Płyn wyciekający z akumulatora może powodować podrażnienie lub oparzenia.
- **Nie należy używać akumulatorów lub maszyn, które są uszkodzone lub zostały poddane przeróbkom.** Uszkodzone lub poddane przeróbkom akumulatory mogą zachowywać się w sposób nieprzewidywalny, co może doprowadzić do pożaru lub wybuchu lub stwarzać ryzyko urazów.
- **Nie należy narażać akumulatora lub maszyny na kontakt z ogniem lub zbyt wysokimi temperaturami.** Ogień lub temperatury przekraczające 130°C mogą doprowadzić do wybuchu.
- **Należy przestrzegać wszystkich instrukcji ładowania. Nie należy ładować akumulatora lub maszyny poza przedziałem temperatur podanym w instrukcji.** Ładowanie w sposób nieprawidłowy lub w temperaturze wykraczającej poza określony zakres może doprowadzić do uszkodzenia akumulatora i zwiększa ryzyko pożaru.

PL

SERWISOWANIE

- **Serwisowanie maszyny należy powierzać wykwalifikowanemu serwisantowi. Do naprawy należy używać wyłącznie części zamiennych identycznych z oryginalnymi.** Zapewni to bezpieczeństwo eksploatacji maszyny.
- **Uszkodzonych akumulatorów nie należy nigdy naprawiać.** Jakiegokolwiek czynności serwisowe przy akumulatorach powinny być wykonywane wyłącznie przez producenta lub pracowników autoryzowanego serwisu.

OSTRZEŻENIA DOTYCZĄCE BEZPIECZEŃSTWA UŻYWANIA WERTYKULATORA

- **Maszyny nie należy używać podczas niepogody, zwłaszcza zaś wtedy, gdy istnieje ryzyko uderzenia pioruna.** Zasada to ograniczyć ryzyko porażenia piorunem.
- **Prosimy dokładnie sprawdzić teren, na którym**

będzie używana maszyna, pod kątem obecności na nim dzikich zwierząt. Pracująca maszyna może podczas użytkowania doprowadzić do poranienia dzikich zwierząt.

- **Teren, na którym będzie używana maszyna, należy dokładnie sprawdzić. Wszystkie kamienie, patyki, druty, kości i inne przedmioty należy usunąć.** Wyrzucone w powietrze przedmioty mogą doprowadzić do obrażeń ciała.
- **Przed użyciem maszyny należy zawsze sprawdzić wzrokowo, czy ostra oraz zespół ostrzy nie są zużyte lub uszkodzone.** Uszkodzone lub zużyte części zwiększają ryzyko urazów.
- **Należy pilnować, aby osłony znajdowały się na swoim miejscu. Osłony muszą być sprawne i prawidłowo zamontowane.** Osłona, która jest luźna, uszkodzona lub nie działa prawidłowo, może spowodować obrażenia ciała.
- **Należy dbać o czystość i drożność wszystkich wlotów powietrza układu chłodzenia.** Zablokowane wloty powietrza i zanieczyszczenia mogą spowodować przegrzanie i stwarzać ryzyko pożaru.
- **Podczas używania maszyny należy zawsze nosić antypoślizgowe obuwie ochronne. Nie wolno używać narzędzia na bosą lub w otwartych sandałach.** Zmniejsza to ryzyko skaleczenia stóp w wyniku kontaktu z poruszającymi się ostrzami.
- **Podczas używania maszyny należy zawsze nosić długie spodnie.** Nieosłonięta skóra zwiększa prawdopodobieństwo skaleczenia przedmiotami wyrzucenymi w powietrze.
- **Maszyny nie należy używać w mokrej trawie. Należy chodzić, a nie biegać.** Zmniejsza to ryzyko poślizgnięcia się i upadku, co może skutkować obrażeniami ciała.
- **Nie należy używać maszyny na zbyt stromych zboczach.** Zmniejsza to ryzyko utraty kontroli, poślizgnięcia się i upadku, co może skutkować obrażeniami ciała.
- **Podczas pracy na pochyłościach należy zawsze stać na pewnym podłożu, zawsze pracować w poprzek zbocza, nigdy w górę lub w dół, a przy zmianie kierunku należy zawsze zachowywać szczególną ostrożność.** Zmniejsza to ryzyko utraty kontroli, poślizgnięcia się i upadku, co może skutkować obrażeniami ciała.
- **Podczas cofania lub ciągnięcia maszyny do siebie należy zachować szczególną ostrożność. Należy mieć zawsze świadomość swojego otoczenia.** Zmniejsza to ryzyko potknięcia podczas pracy.

- Maszynę należy trzymać wyłącznie za izolowane uchwyty, ponieważ ostrza tnące mogą natrafić na ukryte przewody. Dotknięcie ostrzem tnącym przewodu pod napięciem może spowodować, że przez nieizolowane elementy metalowe maszyny popłynie prąd, co grozi operatorowi porażeniem.
- Ostrzy oraz innych niebezpiecznych ruchomych części nie wolno nigdy dotykać, gdy nadal się poruszają. Zmniejszy to ryzyko urazów spowodowanych ruchomymi częściami.
- Podczas czyszczenia zakleszczonego materiału lub czyszczenia maszyny, należy się upewnić, że wszystkie wyłączniki zasilania są wyłączone, a akumulator jest odłączony. Nieoczekiwane działanie maszyny może spowodować poważne obrażenia ciała.

DODATKOWE OSTRZEŻENIA

- Urządzenia należy używać wyłącznie z głowicą napędową EGO PH1400E/PH1420E/PHX1600.
UWAGA: Aby uzyskać szczegółowe informacje nt. zasad bezpieczeństwa i instrukcje dotyczące obsługi, prosimy zapoznać się z instrukcją obsługi głowicy napędowej EGO PH1400E/PH1420E/PHX1600.

NINIEJSZĄ INSTRUKCJĘ NALEŻY ZACHOWAĆ

SPECYFIKACJA

| | |
|---------------------------------------------|---------------------------------|
| Maksymalna szerokość pracy | 355 mm |
| Prędkość bez obciążenia (z głowicą PH1420E) | Mała prędkość: 2600 OBR./MIN |
| | Duża prędkość: 3000 OBR./MIN |
| Regulacja głębokości | 3 pozycje |
| Głębokość wertykulacji | 0 / 10 mm / 20 mm |
| Zalecana temperatura użytkowania | 0°C – 40°C |
| Zalecana temperatura przechowywania | -20°C – 70°C |

| | | |
|-----------------------------------------------------------------------------------------|-------------------------------------------|---------------------------------------------------------------|
| Zmierzony poziom mocy akustycznej L_{WA} | 88 dB(A) K= 2 dB(A) (PH1400E) | |
| | 88,49 dB(A) K= 0,81 dB(A) (PH1420E) | |
| | 90 dB(A) K= 0,9 dB(A) (PHX1600) | |
| Poziomy ciśnienia akustycznego na wysokości ucha operatora L_{PA} | 82 dB(A) K= 3 dB(A) (PH1400E) | |
| | 79,8 dB(A) K= 3 dB(A) (PH1420E) | |
| | 82 dB(A) K= 3 dB(A) (PHX1600) | |
| Garantowany poziom mocy akustycznej L_{WA} (zmierzony zgodnie z dyrektywą 2000/14/WE) | 92 dB(A) | |
| Szacunkowe drgania a_n | Przedni uchwyt pomocniczy | 2,35 m/s ² K= 1,5 m/s ² (PH1400E) |
| | | 2,36 m/s ² K= 1,5 m/s ² (PH1420E) |
| | | 2,63 m/s ² K= 1,5 m/s ² (PHX1600) |
| | Rear handle | 2,66 m/s ² K= 1,5 m/s ² (PH1400E) |
| | | 2,24 m/s ² K= 1,5 m/s ² (PH1420E) |
| | | 1,74 m/s ² K= 1,5 m/s ² (PHX1600) |
| Ciężar (z cylindrem wertykulatora) | 7,4 kg | |

PL

- Powyższe parametry zostały przetestowane i zmierzone z głowicą napędową PH1400E/PH1420E/PHX1600.
- Deklarowana całkowita wartość drgań została zmierzona zgodnie ze standardowymi metodami testowania i może służyć do porównywania różnych narzędzi.

- Deklarowana całkowita wartość drgań może również służyć do wstępnej oceny narażenia na drgań.

⚠ OSTRZEŻENIE: Emisja drgań podczas rzeczywistego użytkowania maszyny może różnić się od deklarowanej wartości, w której maszyna jest używana. Aby się zabezpieczyć, w rzeczywistych warunkach użytkowania użytkownik powinien nosić rękawice i naszelniki ochronne.

⚠ OSTRZEŻENIE: Środki ostrożności służące ochronie operatora należy określić na podstawie oceny narażenia w rzeczywistych warunkach użytkowania (z uwzględnieniem wszystkich elementów cyklu pracy, tj. oprócz czasu włączenia także okresów takich jak czas, w którym maszyna jest wyłączona oraz w którym pracuje bez obciążenia).

OPIS

ZAPOZNANIE Z KOŃCÓWKĄ WERTYKULATOR (rys. A)

1. Zasłepka (2)
2. Walek mocujący
3. Osłona dolna
4. Koło
5. Zespół pokrywy górnej
6. Dźwignia regulacji głębokości
7. Osłona kierująca
8. Belka zgarniająca
9. Klucz imbusowy 4 mm
10. Klucz imbusowy 5 mm
11. Ostrze grabi
12. Cylinder wertykulatora

MONTAŻ

⚠ OSTRZEŻENIE: W przypadku braku lub uszkodzenia którejś z części nie należy włączać urządzenia aż do momentu wymiany lub naprawy części. Używanie urządzenia z uszkodzonymi częściami lub gdy którejś z części brakuje może doprowadzić do poważnych obrażeń ciała.

⚠ OSTRZEŻENIE: Nie należy próbować przerabiać urządzenia lub tworzyć akcesoriów, które nie są zalecane do używania w produkcie. Wszelkie tego typu zmiany lub modyfikacje są niedozwolone i mogą prowadzić do niebezpiecznych sytuacji oraz poważnych obrażeń ciała.

ŁĄCZENIE WAŁKA MOCUJĄCEGO Z ZESPOŁEM WERTYKULATORA (rys. B)

| | | | |
|-----|----------------|-----|----------------|
| B-1 | Śruba M5 | B-4 | Otwór |
| B-2 | Śruba | B-5 | Otwór na śrubę |
| B-3 | Walek mocujący | B-6 | Osłona dolna |

1. Położyć zespół wertykulatora do góry nogami na stabilnej, płaskiej powierzchni.
2. Zdjąć zaślepkę z przedniego końca wałka mocującego.
3. Przytrzymać otwór w wałku mocującym skierowany do góry i włożyć do oporu walek mocujący do dolnej pokrywy końcówki. Dopasować otwór na śrubę w pokrywie dolnej do wałka mocującego.
4. Dołączonym kluczem imbusowym 4 mm zamocować pokrywę dolną do wałka mocującego na śrubę M5.
5. Kluczem imbusowym mocno dokręć dwie wstępnie zainstalowane śruby do pokrywy dolnej.

⚠ OSTRZEŻENIE: Przed użyciem urządzenia należy dopilnować, aby trzy śruby były całkowicie dokręcone. Aby nie dopuścić do poważnych obrażeń, w czasie użytkowania należy je okresowo kontrolować.

ZAKŁADANIE KOŃCÓWKI WERTYKULATOR NA GŁOWICĘ NAPĘDOWĄ

Ta końcówka wertykulator została zaprojektowana do używania z głowicą napędową EGO model PH1400E/ PH1420E/PHX1600.

Więcej informacji podano w części „ZAKŁADANIE KOŃCÓWKI NA GŁOWICĘ NAPĘDOWĄ” w instrukcji do głowicy napędowej PH1400E/PH1420E/PHX1600.

UŻYTKOWANIE

⚠ OSTRZEŻENIE: Nie wolno dopuść do tego, aby znajomość produktu doprowadziła do nieuwagi. Należy pamiętać, że do spowodowania poważnych obrażeń wystarczy zaledwie chwila nieuwagi.

⚠ OSTRZEŻENIE: Należy zawsze nosić okulary ochronne. Nieprzestrzeżenie tego zalecenia może doprowadzić do poważnych obrażeń oczu odłamkiem lub skrawkiem materiału wyrzuconym przez pracujące narzędzie, a także grozi innymi możliwymi urazami.

⚠ OSTRZEŻENIE: Aby uniknąć poważnych obrażeń ciała, przed serwisowaniem, czyszczeniem, wymianą osprzętu dodatkowego oraz usuwaniem materiału należy zawsze wyjąć z produktu akumulator.

⚠ OSTRZEŻENIE: Nie należy używać końcówek lub akcesoriów innych niż zalecane przez producenta produktu. Używanie końcówek lub akcesoriów innych niż zalecane może doprowadzić do poważnych obrażeń.

ZASTOSOWANIA

Usuwanie starych, wysuszonych ścierek trawy, mchu, trawy lub resztek korzeni z trawników.

WŁĄCZANIE/WYŁĄCZANIE WERTYKULATORA

Przed użyciem wertykulatora

⚠ OSTRZEŻENIE: Aby uniknąć poważnych obrażeń ciała, podczas używania produktu należy zawsze nosić gogle lub okulary ochronne. Podczas pracy przy silnym zapyleniu należy nosić osłonę na twarz lub maskę przeciwpyłową. Podczas pracy należy nosić odpowiednią odzież i obuwie, aby zmniejszyć ryzyko obrażeń spowodowanych przez latające odłamki.

- Przed użyciem należy dokładnie skontrolować produkt pod kątem uszkodzeń. Nie należy używać urządzenia, jeżeli jest ono uszkodzone lub wykazuje oznaki zużycia.
- Należy upewnić się, że na trawniku nie ma kamieni, patyków, kawałków drutu lub innych przedmiotów, które mogłyby uszkodzić produkt.
- Przed rozpoczęciem pracy trawnik należy skosić, a po zakończeniu nawieźć.

Wskazówki dotyczące użytkowania

Aby trawnik zdrowo na wiosnę rósł, konieczne jest, aby w obszar wokół korzeni trawy wnikała większa ilość powietrza. Zalecamy wertykulację trawnika co najmniej dwa razy w roku, wiosną lub jesienią, w zależności od stanu trawnika.

- Dla własnego bezpieczeństwa nie należy pracować na pochyłościach o nachyleniu większym niż 15 stopni. Należy pracować w poprzek zboczy, nigdy z góry na dół ani z dołu do góry. Podczas zmiany kierunku na pochyłościach należy zachować szczególną ostrożność.
- Nie należy pracować produktem na mokrym trawniku, ponieważ mokra trawa ma tendencję do przyklejania się do podwozia i do ostrzy, a ponadto może również spowodować poślizgnięcie się i upadek.
- Produkt należy trzymać oburącz. Z uwagi na bezpieczeństwo, należy dbać o to, aby uchwyty były suche.
- Produkt należy powoli popychać do przodu. Produkt należy przesuwac z odpowiednią prędkością. Aby nie dopuścić do zablokowania się ostrzy z przeciążenia silnika, nie należy przesuwac go zbyt szybko.
- Jeśli w czasie pracy ktoś przeszkodzi użytkownikowi

wchodząc do strefy pracy, produkt należy natychmiast wyłączyć. Przed odłożeniem należy zawsze odczekać, aż produkt całkowicie się zatrzyma.

- Nie należy się przepracowywać. Regularne przerwy zapewniają skoncentrowanie na pracy i pełną kontrolę nad maszyną.
- Należy pracować w lekko zachodzących na siebie rzędach. Najbardziej efektywnym wzorem są proste linie wzdłuż jednego z boków (rys. C). Dzięki temu rzędy będą równe, a wertykulacja obejmie cały trawnik, bez pomijania jakichkolwiek miejsc.
- Szczególną uwagę należy zachować podczas zmian kierunku.
- Upewnij się zawsze, że masz punkt oparcia. Poślizgnięcie się i upadek mogą spowodować poważne obrażenia. Jeśli użytkownik czuje, że traci równowagę, należy natychmiast wyłączyć silnik.
- Nie należy pracować w pobliżu uskoków, rowów lub nasypów, grozi to bowiem utratą równowagi lub podparcia stóp.

Włączenie/Wyłączenie końcówki wertykulator

Więcej informacji podano w części „WŁĄCZANIE/WYŁĄCZANIE GŁOWICY NAPĘDOWEJ” w instrukcji do głowicy napędowej PH1400E/PH1420E/PHX1600.

⚠ OSTRZEŻENIE: Jeśli maszyna musi zostać przechylona przy przekraczaniu powierzchni innych niż trawa i przy przenoszeniu maszyny na miejsce pracy lub z powrotem, należy ją wyłączyć.

⚠ OSTRZEŻENIE: Podczas włączania silnika nie należy przechylać maszyny, chyba że w celu uruchomienia maszyny jest to niezbędne. Jeśli jednak jest to konieczne, urządzenia nie należy przechylać bardziej niż jest to absolutnie niezbędne. Należy wtedy podnosić tylko część znajdującą się z dala od operatora.

Sprawdzanie, czy ostrza nie są zablokowane

- Aby zapobiec zablokowaniu, maszynę należy czyścić od spodu przed i po każdym użyciu, aby usunąć nagromadzone zanieczyszczenia.
- Gdy dojdzie do zablokowania, należy zatrzymać maszynę i wyjąć z niej akumulator, a następnie usunąć wszelką trawę i liście nagromadzone na ostrzach/ podwoziu lub wokół nich. Maszynę należy przetrzeć do czysta wilgotną ściereczką.

REGULACJA GŁĘBOKOŚCI (rys. D)

⚠ OSTRZEŻENIE: Podczas regulowania głębokości stopy należy trzymać w bezpiecznej odległości od podwozia.

Głębokość wertykulacji można ustawić na 3 poziomy:

- 1 i 2: pozycja robocza
- 3: pozycja transportowa

Głębokość należy wyregulować odpowiednio do potrzeb swojego trawnika.

1. Wyłączyć maszynę i poczekać, aż maszyna całkowicie się zatrzyma.
2. Wyjąć akumulator.
3. Wysunąć dźwignię regulacji głębokości z zaczepru i ustawić ją w żądanej pozycji.

| | | | |
|-----|-------------------------------|-----|--------------------|
| D-1 | Dźwignia regulacji głębokości | D-2 | Pozycja głębokości |
|-----|-------------------------------|-----|--------------------|

KONSERWACJA

⚠ OSTRZEŻENIE: Przed kontrolą, czyszczeniem lub serwisowaniem maszyny należy wyłączyć silnik, odczekać aż wszystkie poruszające części zatrzymają się i wyjąć akumulator. Niezastosowanie się do powyższych instrukcji może doprowadzić do poważnych obrażeń ciała lub do uszkodzenia mienia.

⚠ OSTRZEŻENIE: Należy zawsze nosić okulary ochronne z osłonami bocznymi. Nieprzestrzeganie tego zalecenia może doprowadzić do poważnych obrażeń oczu odłamkami lub skrawkiem materiału wyrzuconym przez narzędzie.

⚠ OSTRZEŻENIE: Do serwisowania należy używać wyłącznie części zamiennych identycznych z oryginalnymi. Używanie jakichkolwiek innych części stwarza ryzyko i może spowodować usterkę produktu. Aby zagwarantować bezpieczeństwo i niezawodność, wszystkie naprawy części innych niż wymienione w niniejszej instrukcji powinny być wykonywane przez wykwalifikowanych techników serwisu.

⚠ OSTRZEŻENIE: Po uderzeniu w przeszkodę należy zatrzymać maszynę i wyjąć z niej akumulator, aby mieć pewność, że wszystkie poruszające się części całkowicie się zatrzymały. Następnie należy sprawdzić, czy maszyna nie jest uszkodzona, a w razie potrzeby przed jej ponownym włączeniem i użyciem należy dokonać naprawy.

⚠ OSTRZEŻENIE: Jeśli maszyna znacznie nietypowo drgać, należy ją zatrzymać i wyjąć z niej akumulator, aby mieć pewność, że wszystkie poruszające się części całkowicie się zatrzymały. Następnie należy natychmiast przeprowadzić kontrolę pod kątem uszkodzeń. Wszystkie uszkodzone części wymienić lub naprawić. Należy też sprawdzić, czy w maszynie nie poluzowały się jakieś części i w razie potrzeby dokręcić je.

⚠ OSTRZEŻENIE: Podczas regulacji produktu należy zachować ostrożność, aby palce nie zostały wciągnięte między poruszające się i nieruchome części produktu.

CZYSZCZENIE

⚠ OSTRZEŻENIE: Podczas czyszczenia końcówki wertykulatora, NIE należy zanurzać jej w wodzie ani innych płynach.

Podczas czyszczenia części plastikowych unikać używania rozpuszczalników. Pod wpływem kontaktu z różnego rodzaju rozpuszczalnikami dostępnymi w handlu większość tworzyw może ulec uszkodzeniu. Do usuwania zabrudzeń, kurzu, oleju, smaru itp. należy używać czystych ściereczek.

SMAROWANIE

Wszystkie łożyska w urządzeniu zostały nasmarowane wysokiej jakości smarem w ilości wystarczającej na cały okres eksploatacji w normalnych warunkach użytkowania. Urządzenie nie wymaga więc żadnego dodatkowego smarowania.

WYMIANA CYLINDRA

⚠ OSTRZEŻENIE: Przed przystąpieniem do jakichkolwiek czynności konserwacyjnych należy zawsze wyjąć akumulator z maszyny i poczekać, aż cylinder z ostrzami całkowicie się zatrzyma. Podczas manipulowania przy ostrzach należy mieć zawsze założone rękawice ochronne.

Zdejmowanie cylindra

1. Wyjąć akumulator z głowicy napędowej.
2. Położyć końcówkę do góry nogami na płaskiej, stabilnej powierzchni.
3. Użyć dołączonego klucza imbusowego 5 mm, aby poluzować i wykręcić dwie śruby blokujące na gnieździe łożyska cylindra wertykulatora (rys. E1).
4. Popchnąć cylinder wertykulatora w lewo, aż wałek wielowypustu na prawym końcu zostanie wyciągnięty z piasty wielowypustu maszyny (rys. E2).
5. Wyjąć cylinder wertykulatora z maszyny (rys. E3).

| | | | |
|------|-----------------|------|------------------------|
| E1-1 | Gniazdo łożyska | E1-2 | Cylinder wertykulatora |
| E2-1 | Wałek wrzeciona | E2-2 | Piasta wrzeciona |

Instalowanie nowego cylindra

1. Ułożyć gniazdo łożyska nowego cylindra na podstawie maszyny i popchnąć cylinder do oporu w lewo (rys. F1).

2. Wyrównać i włożyć wałek wielowypustu po prawej stronie cylindra do piasty wielowypustu maszyny (rys. F2).
3. Dopasować dwa otwory w gnieździe łożyska do otworów w podstawie i przymocować gniazdo łożyska do podstawy śrubami blokującymi (rys. F3).

WYMIANA OSTRZY GRABI

Przy normalnym użytkowaniu ostrza grabi mogą z czasem ulec zużyciu lub złamaniu. Gdy regulacja głębokości ostrzy nie zapewnia już prawidłowej wertykulacji lub jeśli ostrze się złamie, aby wymienić ostrze, należy wykonać czynności jak poniżej.

Wymowanie ostrza

1. Wyjąć akumulator z głowicy napędowej.
2. Położyć końcówkę do góry nogami na płaskiej, stabilnej powierzchni.
3. Wcisnąć dwa sworznie ostrza grabi do szczeliny 1 w cylindrze i zdjąć ostrze grabi z cylindra wertykulatora, tak jak pokazano na rys. G.

| | | | |
|-----|----------|-----|-------------|
| G-1 | Sworznię | G-2 | Szczelina 1 |
|-----|----------|-----|-------------|

Zakładanie ostrzy grabi (rys. H)

1. Włożyć sworznię ostrza grabi w szczelinę 1 w cylindrze (krok 1).
2. Włożyć gniazdo ostrza grabi w szczelinę 2 w cylindrze (krok 2).
3. Wsunąć dwa sworznie ostrza do szczeliny 1, popchnąć do przodu do pozycji w szczelinie 3, a dwa sworznie automatycznie odbiją się na miejscu (kroki 3 i 4).

| | | | |
|-----|-------------|-----|-------------|
| H-1 | Sworznię | H-2 | Szczelina 1 |
| H-3 | Szczelina 2 | H-4 | Szczelina 3 |

TRANSPORT I PRZECHOWYWANIE

- Wyjąć akumulator z głowicy napędowej.
- Przed schowaniem należy zawsze odczekać, aż produkt ostygnie.
- Przed schowaniem produkt należy dokładnie wyczyścić.
- Produkt należy przechowywać w suchym i przewiewnym miejscu niedostępnym dla dzieci: albo pod kluczem, albo wystarczająco wysoko. Produktu nie należy przechowywać na nawozach lub w ich pobliżu, to samo dotyczy podłoży zanieczyszczonych benzyną i substancjami chemicznymi.

OCHRONA ŚRODOWISKA



Urządzeń elektrycznych, zużytych akumulatorów i ładowarki nie należy wyrzucać do zwykłych zmieszanych śmieci domowych! Produkt należy oddać do zbiórki selektywnej w autoryzowanym punkcie recyklingu. Maszyny elektryczne należy oddawać do przyjaznych dla środowiska zakładów recyklingu.

ROZWIĄZYWANIE PROBLEMÓW

| PROBLEM | PRZYCZYNA | ROZWIĄZANIE |
|---------------------------------------------------------------|------------------------------------------------------------------------------------------------------------------------------------------------------------------------------------------------------------------------------------------------|-------------------------------------------------------------------------------------------------------------------------------------------------------------------------------------------------------------------------------------------------------------------------------------------------------------------|
| Silnik nie włącza się. | <ul style="list-style-type: none"> ■ Akumulator jest rozładowany. ■ Przycisk odblokowujący lub przełącznik spustowy nie jest używany prawidłowo. ■ Akumulator nie jest do końca włożony do portu akumulatora. | <ul style="list-style-type: none"> ■ Naładować akumulator. ■ Postępować zgodnie z zaleceniami podanymi w części „WŁĄCZANIE/ WYŁĄCZANIE GŁOWICY NAPĘDOWEJ” w instrukcji obsługi głowicy napędowej. ■ Sprawdzić, czy akumulator jest do końca włożony do portu akumulatora. |
| Maszyna wydaje nienormalne dźwięki. | <ul style="list-style-type: none"> ■ Zanieczyszczenia lub ciała obce utrudniające działanie ostrzy maszyny. | <ul style="list-style-type: none"> ■ Wyłączyć silnik, wyjąć akumulator i usunąć zanieczyszczenia lub ciała obce uniemożliwiające prawidłowe działanie maszyny. |
| Maszyna nie działa prawidłowo lub wyniki nie są zadowalające. | <ul style="list-style-type: none"> ■ Trawa jest za wysoka. | <ul style="list-style-type: none"> ■ Przed wertykulacją należy skosić trawnik. |
| | <ul style="list-style-type: none"> ■ Pod podwoziem przyklejają się zanieczyszczenia. | <ul style="list-style-type: none"> ■ Przed wertykulacją należy odczekać, aż trawa podeschnie. |
| | <ul style="list-style-type: none"> ■ Źle ustawiona głębokość. | <ul style="list-style-type: none"> ■ Wyregulować głębokość ostrzy, aby osiągnąć pożądany rezultat. |
| | <ul style="list-style-type: none"> ■ Zużyte lub uszkodzone ostrza. | <ul style="list-style-type: none"> ■ W razie potrzeby wymienić ostrza. |

PL

GWARANCJA

POLITYKA GWARANCYJNA EGO

W celu zapoznania się z wszystkimi warunkami polityki gwarancyjnej EGO prosimy wejść na stronę egopowerplus.eu.

PŘEČTĚTE SI VŠECHNY POKYNY!



PŘEČTĚTE SI NÁVOD K OBSLUZE

BEZPEČNOSTNÍ SYMBOLY

Účelem bezpečnostních symbolů je upoutat vaši pozornost k případným nebezpečím. Bezpečnostní symboly a jejich vysvětlení vyžadují vaši zvýšenou pozornost a porozumění. Výstražné symboly samy o sobě nevylučují žádné nebezpečí. Pokyny a varování, zde uvedené, nejsou náhradou vhodných opatření pro prevenci úrazů.

VAROVÁNÍ: Před použitím tohoto stroje si přečtěte a porozumějte všem bezpečnostním pokynům v tomto návodu k obsluze, včetně všech bezpečnostních výstražných symbolů, jako jsou „**NEBEZPEČÍ**“, „**VAROVÁNÍ**“ a „**UPOZORNĚNÍ**“. Nedodržení níže uvedených pokynů může mít za následek úraz elektrickým proudem, požár anebo vážná zranění osob.

VÝZNAM SYMBOLŮ

VAROVÁNÍ: BEZPEČNOSTNÍ VÝSTRAŽNÉ SYMBOLY:

Upozorňují na **NEBEZPEČÍ**, **VAROVÁNÍ** nebo **UPOZORNĚNÍ**. Mohou se použít ve spojení s dalšími symboly nebo piktogramy.



VAROVÁNÍ: Při použití jakéhokoli stroje může dojít k vyvrstvení cizích těles do očí, což může způsobit jejich závažné poškození. Před použitím stroje si vždy nasadte ochranné brýle, ochranné brýle s bočními kryty nebo

v případě potřeby obličejový štít. Na brýle nebo standardní ochranné brýle s bočními kryty doporučujeme použít ochrannou masku.

BEZPEČNOSTNÍ POKYNY

Na této stránce jsou zobrazeny a popsány bezpečnostní symboly, které se mohou na výrobku objevit. Před montáží a provozem si přečtěte, seznamte se a dodržujte veškeré pokyny související se strojem.

| | | |
|--|--------------------------------------------------------------------------------------|--------------------------------------------------------------------------------------------------------------------------------|
| | Bezpečnostní upozornění | Upozorňuje na možné riziko úrazu. |
| | Je nutné si přečíst návod k obsluze a porozumět pokynům v něm uvedeným | Za účelem snížení nebezpečí úrazu si musí uživatel před použitím tohoto výrobku přečíst návod k obsluze a porozumět mu. |
| | Používejte ochranu očí | Při práci s tímto produktem vždy noste ochranné brýle nebo bezpečnostní brýle s bočními ochrannými štíty nebo obličejový štít. |
| | VAROVÁNÍ – Pozor na odmrštěné předměty – Nedovolte jiným osobám, aby se přibližovaly | Upozorňuje uživatele na odmrštěné předměty a nedovoluje jiným osobám, aby se přibližovaly. |
| | NEBEZPEČÍ – Udržujte nohy a ruce v bezpečné vzdálenosti | Upozorňuje uživatele, aby udržovali nohy a ruce v bezpečné vzdálenosti. |
| | VAROVÁNÍ – Udržujte ruce a nohy v dostatečné vzdálenosti od hrotů | Upozorňuje uživatele, aby udržovali nohy a ruce v dostatečné vzdálenosti od hrotů. |
| | CE | Tento výrobek je v souladu s platnými směrnici ES. |
| | UKCA | Tento výrobek je v souladu s platnými předpisy ve Spojeném království. |
| | WEEE | Odpadní elektrické výrobky se nesmí likvidovat s domovním odpadem. Odevzdejte je do autorizovaného recyklačního střediska. |

CZ

| | | |
|-----------------------------------------------------------------------------------|---------------------------------------------|--------------------------------------------------------------------------------------------------------|
|  | Hluk | Garantovaná hladina akustického výkonu. Emise hluku do prostředí dle směrnice Evropského společenství. |
| V | Volt | Napětí |
|  | Stejnosměrný proud (DC) | Druh nebo charakteristika proudu |
| mm | Milimetr | Délka nebo velikost |
| kg | Kilogram | Hmotnost |
| min | Minuty | Čas |
| n_0 | Rychlost při chodu naprázdno | Rychlost otáček při chodu naprázdno |
| Min^{-1} | Počet otáček nebo vratného pohybu za minutu | Otáčky, zdvihy, povrchová rychlost, oběžné dráhy atd. za minutu |
| Ot/min | Otáčky za minutu | Rychlost otáčení |
| °C | Stupňů Celsia | Teplota |

CZ

VAROVÁNÍ: Z důvodu zajištění bezpečnosti a spolehlivosti musí všechny opravy provádět kvalifikovaný servisní technik.

OBECNÉ BEZPEČNOSTÍ POKYNY PRO AKUMULÁTOROVÉ NÁŘADÍ

VAROVÁNÍ: PŘEČTĚTE SI VŠECHNY BEZPEČNOSTNÍ VÝSTRAHY, POKYNY, ILUSTRACE A TECHNICKÉ ÚDAJE DODANÉ S TÍMTO STROJEM. Nedodržení všech níže uvedených pokynů může vést k úrazu elektrickým proudem, požáru a/nebo vážnému úrazu.

VŠECHNA VAROVÁNÍ A POKYNY USCHOVEJTE PRO BUDOUCÍ POUŽITÍ.

Výraz „stroj“ v upozorněních označuje stroj napájený ze sítě (kabelový) nebo akumulátorový (bezakumulátorový).

BEZPEČNOST NA PRACOVÍŠTI

- **Udržujte pracovní prostor v čistotě a dobře osvětlený.** Nepřehledné nebo tmavé prostory jsou místem nehod.
- **Nepoužívejte stroje ve výbušném prostředí, například v přítomnosti hořlavých kapalin, benzínu nebo prachu.** Stroje jsou zdrojem jiskření, které může zapálit prach nebo výpary.
- **Při práci se strojem udržujte děti a přihlížející osoby v bezpečné vzdálenosti.** Nesoustředěnost může způsobit ztrátu kontroly.

ELEKTRICKÁ BEZPEČNOST

- **Zástrčky stroje musí odpovídat zásuvce. V žádném případě nikdy neupravujte zástrčku. Nepoužívejte žádné adaptérové zástrčky s uzemněnými stroji.** Neupravené zástrčky a vhodné zásuvky snižují riziko úrazu elektrickým proudem.
- **Zabraňte kontaktu těla s uzemněnými povrchy, jako jsou potrubí, radiátory, sporáky a ledničky.** Existuje zvýšené riziko úrazu elektrickým proudem, pokud je vaše tělo uzemněno.
- **Neprovazujte stroj v dešti nebo za mokra.** Může to zvýšit riziko úrazu elektrickým proudem.
- **Nepoužívejte kabel nevhodným způsobem. Nikdy nepoužívejte kabel k přenášení, vytahování nebo odpojování stroje z elektrické sítě. Udržujte kabel daleko od tepla, oleje, ostrých hran nebo pohyblivých částí.** Poškozené nebo spletené kabely zvyšují riziko úrazu elektrickým proudem.
- **Při práci se strojem venku použijte prodlužovací kabel vhodný pro venkovní použití.** Použití kabelu vhodného pro venkovní použití snižuje riziko úrazu elektrickým proudem.
- **Pokud musíte se strojem pracovat ve vlhkém prostředí, použijte přerušovač zemního spojení (GFCI).** Použití přerušovače zemního obvodu (GFCI) snižuje riziko úrazu elektrickým proudem.

BEZPEČNOST OSOB

- **Při práci se strojem buďte stále pozorní, sledujte, co děláte a používejte zdravý rozum. Nepoužívejte stroj, jste-li unaveni nebo pod vlivem drog, alkoholu nebo léků.** Jediná chvilka nepozornosti při práci se strojem může mít za následek vážný úraz.
- **Používejte osobní ochranné pracovní prostředky. Vždy používejte ochranu očí.** Ochranné pomůcky, jako např. respirátor, protiskluzová bezpečnostní obuv, pevná přilba nebo chrániče sluchu používané ve vhodném prostředí sníží riziko úrazu.

- **Zabraňte náhodnému spuštění.** Před připojením ke zdroji napětí a/nebo akumulátoru, zvedáním nebo přenášením stroje se ujistěte, že vypínač je ve vypnuté poloze. Přenášení strojů s prstem na spínači nebo zapínání strojů se zapnutým spínačem vybízí k nehodám.
- **Před zapnutím stroje odstraňte seřizovací klíče nebo nářadí.** Nářadí nebo klíč, který zůstane upevněn k otáčející se části stroje, může způsobit zranění.
- **Neناهýbejte se.** Vždy udržujte pevný postoj a rovnováhu. To umožní lepší ovládání stroje v nečekaných situacích.
- **Používejte vhodný oděv. Nenoste volný oděv ani šperky. Udržujte vaše vlasy a oblečení mimo dosah pohyblivých částí.** Volný oděv, šperky nebo dlouhé vlasy se mohou zachytit do pohyblivých dílů.
- **Pokud je zařízení vybaveno adaptérem pro připojení odsávání prachu a sběrnými zařízeními, zajistěte jejich správné připojení a řádnou funkci.** Použití odsávání prachu může snížit nebezpečí týkající se prachu.
- **Nedovoďte, abyste se po získání zkušeností častým používáním stroje stali neobezřetnými a ignorovali zásady bezpečnosti.** Nedbalá činnost může způsobit vážné zranění za zlomek sekundy.

POUŽITÍ A PÉČE O STROJ

- **Nevyvíjejte na stroj násilí. Použijte správný stroj pro danou aplikaci.** Správný stroj bude pracovat lépe a bezpečněji rychlostí, pro kterou byl navržen.
 - **Nepoužívejte stroj v případě, že vypínač nefunguje.** Stroj, který nelze ovládat spínačem, je nebezpečný a musí se opravit.
 - **Před seřizováním, výměnou příslušenství nebo uskladněním stroje odpojte zástrčku ze zdroje napájení anebo vyjměte akumulátor, pokud je odnímatelný, ze stroje.** Tato preventivní bezpečnostní opatření snižují riziko náhodného spuštění stroje.
 - **Nečinné stroje skladujte mimo dosah dětí a nedovoďte osobám, které nejsou obeznámeny se zařízením nebo s těmito pokyny, aby jej obsluhovaly.** Stroje jsou v rukou nekvalifikované obsluhy nebezpečné.
 - **Provádějte údržbu strojů a příslušenství. Kontrolujte případnou nesouosost nebo ohyb pohyblivých se částí, narušení dílů a ostatní podmínky, které mohou ovlivnit provoz stroje.** V případě poškození nechte stroj před použitím opravit. Mnoho nehod a úrazů je způsobeno nedostatečně udržovanými stroji.
 - **Udržujte řezací stroje ostré a čisté.** Řádně udržované řezací stroje s ostrými řeznými hranami nemají tendenci se ohýbat a lépe se ovládají.
- **Používejte stroj, příslušenství a strojové hroty atd. v souladu s těmito pokyny s přihlédnutím k pracovním podmínkám a práci, která má být provedena.** Použití stroje na činnosti jiné, než je určující použití, může vést k nebezpečným situacím.
 - **Udržujte rukojeti a uchopovací plochy suché, čisté, bez oleje a maziva.** Kluzké rukojeti a plochy pro uchopení neumožňují bezpečnou manipulaci se strojem a jeho ovládání v nečekaných situacích.

POUŽITÍ A PÉČE O AKUMULÁTOROVÝ STROJ

- **K nabíjení používejte pouze nabíječku doporučenou výrobcem.** Nabíječka vhodná pro jeden typ akumulátoru může způsobit riziko požáru při použití s jiným akumulátorem.
- **Stroje používejte pouze se specifikovanými akumulátory.** Použití jiných akumulátorů může způsobit riziko úrazu a požáru.
- **Pokud akumulátor nepoužíváte, držte jej z dosahu kovových předmětů, jako jsou kancelářské sponky na papír, mince, klíče, hřebíky, šroubky nebo další drobné kovové předměty, které mohou propojit kontakty akumulátoru.** Zkratování kontaktů akumulátoru může způsobit spáleniny nebo požár.
- **V nevhodných podmínkách může z akumulátoru unikat kapalina. Zabraňte kontaktu.** Při náhodném kontaktu opláchněte zasažené místo vodou. Při zasažení očí kapalinou vyhledejte lékařskou pomoc. Unikající kapalina z akumulátoru může způsobit podráždění pokožky nebo popáleniny.
- **Nepoužívejte akumulátor nebo stroj, který je poškozen nebo upraven.** Poškozené nebo upravené akumulátory se mohou chovat nepředvídatelně, což může vést k požáru, výbuchu nebo nebezpečí zranění.
- **Nevystavujte akumulátor ani stroj ohni nebo příliš vysoké teplotě.** Při vystavení ohni nebo teplotě nad 130 °C může dojít k výbuchu.
- **Dodržujte všechny pokyny pro nabíjení a nenabíjejte akumulátor nebo stroj mimo rozsah teplot uvedených v pokynech.** Nesprávné nabíjení nebo nabíjení při teplotách mimo stanovený rozsah může poškodit akumulátor a zvýšit riziko požáru.

SERVIS

- **Servis vašeho stroje svěřte kvalifikovanému opraváři, který používá pouze originální náhradní díly.** Tím zajistíte bezpečnost stroje.
- **Nikdy neopravujte poškozené akumulátory.** Servis akumulátorů může provádět pouze výrobce nebo autorizovaní poskytovatelé služeb.

GZ

BEZPEČNOSTNÍ VAROVÁNÍ PŘI POUŽÍVÁNÍ VERTIKUTÁTORU

- **Nepoužívejte nářadí za špatných povětrnostních podmínek, zejména pokud existuje nebezpečí blesku.** Tím se snižuje riziko úrazu bleskem.
- **Důkladně prohlédněte oblast, kde se má nářadí používat, zda se v ní nenachází divoká zvěř.** Divoká zvěř může být během provozu zraněna nářadím.
- **Pečlivě zkontrolujte prostor, kde budete nářadí používat, a odstraňte všechny kameny, klacky, dráty, kosti a další cizí předměty.** Vymrštěné předměty mohou způsobit zranění osob.
- **Před použitím stroje vždy vizuálně zkontrolujte, zda nejsou poškozeny hroty nebo sestava hrotů.** Opotřebované nebo poškozené díly zvyšují riziko zranění.
- **Udržujte ochranné kryty na místě. Ochranné kryty musí být funkční a řádně namontované.** Uvolněný, poškozený nebo nesprávně fungující ochranný kryt může způsobit zranění osob.
- **Všechny přívody vzduchu udržujte v čistotě.** Ucpané přívody vzduchu a nečistoty mohou způsobit přehřátí nebo riziko požáru.
- **Při obsluze nářadí vždy noste protiskluzovou a ochrannou obuv. Nepracujte s tímto nářadím, pokud jste bosí nebo pokud na nohou máte otevřené sandály.** To snižuje pravděpodobnost zranění nohou při kontaktu s pohybujícími se hroty.
- **Při obsluze nářadí vždy noste dlouhé kalhoty.** Odhalená kůže zvyšuje pravděpodobnost poranění z vymrštěných předmětů.
- **Nářadí nepoužívejte v mokré trávě. Krácejte, nikdy neběhejte.** Tím se snižuje uklouznutí a pádu, což může mít za následek zranění osob.
- **Nepoužívejte nářadí na příliš strmých svazích.** Tím se snižuje riziko ztráty kontroly, uklouznutí a pádu, což může mít za následek zranění osob.
- **Při práci na svazích se vždy ujistěte, že máte stabilní postoj, vždy pracujte napříč svahem, nikdy ne nahoru nebo dolů a při změně směru buďte mimořádně opatrní.** Tím se snižuje riziko ztráty kontroly, uklouznutí a pádu, což může mít za následek zranění osob.
- **Dbejte zvýšené opatrnosti při jízdě vzad, nebo tažení stroje směrem k vám. Vždy si všimněte svého okolí.** Tím se snižuje riziko zakopnutí během provozu.
- **Stroj držte pouze za izolované části rukojetí, protože se hroty mohou dostat do kontaktu se skrytým vedením.** Hroty, které jsou v kontaktu s vodičem „pod

proudem“, mohou rozvést proud do nechráněných kovových částí stroje a způsobit obsluze úraz elektrickým proudem.

- **Nedotýkejte se hrotů a jiných nebezpečných pohyblivých částí, dokud jsou v pohybu.** Tím se snižuje riziko zranění z pohyblivých částí.
- **Při odstraňování uvízlého materiálu nebo čištění stroje se ujistěte, že jsou všechny vypínače napájení vypnuté a akumulátor je odpojený.** Neočekávaný provoz stroje může vést k vážnému zranění osob.

DALŠÍ VAROVÁNÍ

- Používejte pouze s pohonnou hlavou EGO PH1400E/PH1420E/PHX1600.
POZNÁMKA: Podrobná bezpečnostní pravidla a provozní pokyny naleznete v návodu k obsluze vaší EGO Power Head PH1400E/PH1420E/PHX1600.

USCHOVEJTE SI TYTO POKYNY

TECHNICKÉ ÚDAJE

| | |
|--------------------------------------------|------------------------------------------|
| Maximální pracovní šířka | 355 mm |
| Rychlost bez zatížení (s PH1420E) | Nízká: 2600 ot/min |
| | Vysoká: 3000 ot/min |
| Nastavení hloubky | 3 polohy |
| Hloubka vertikutace | 0 / 10 mm / 20 mm |
| Doporučená provozní teplota | 0 °C až 40 °C |
| Doporučená teplota skladování | -20 °C až 70 °C |
| Měřená hladina akustického výkonu L_{WA} | 88 dB(A) K=2 dB(A) (PH1400E) |
| | 88,49 dB(A) K=0,81 dB(A) (PH1420E) |
| | 90 dB(A) K=0,9 dB(A) (PHX1600) |

| | | |
|--------------------------------------------------------------------------------|--------------------------------------|--------------------------------------------------------------|
| Hladina akustického tlaku na sluch obsluhy L_{PA} | 82 dB(A) K=3 dB(A) (PH1400E) | |
| | 79,8 dB(A) K=3 dB(A) (PH1420E) | |
| | 82 dB(A) K=3 dB(A) (PHX1600) | |
| Zaručená úroveň akustického výkonu L_{WA} (měřeno podle směrnice 2000/14/ES) | 92 dB(A) | |
| Hodnota vibrací a_h | Přední pomocná rukojeť | 2,35 m/s ² K=1,5 m/s ² (PH1400E) |
| | | 2,36 m/s ² K=1,5 m/s ² (PH1420E) |
| | | 2,63 m/s ² K=1,5 m/s ² (PHX1600) |
| | Rear handle | 2,66 m/s ² K=1,5 m/s ² (PH1400E) |
| | | 2,24 m/s ² K=1,5 m/s ² (PH1420E) |
| | | 1,74 m/s ² K=1,5 m/s ² (PHX1600) |
| Hmotnost (s vertikutačním válcem) | 7,4 kg | |

- Výše uvedené parametry jsou testovány a měřeny se strojem vybaveným pohonnou hlavou PH1400E/PH1420E/PHX1600.
- Celková deklarovaná hodnota vibrací byla naměřena podle standardní zkušební metody a lze ji použít ke srovnání s jiným strojem.
- Celkovou deklarovanou hodnotu vibrací lze použít také k předběžnému stanovení expozičních limitů.

VAROVÁNÍ: Emise vibrací při konkrétním použití stroje se mohou lišit od deklarované hodnoty, při které se stroj používá; z důvodu ochrany provozovatele by měl uživatel ve skutečných pracovních podmínkách nosit rukavice a chrániče sluchu.

VAROVÁNÍ: Je nutné určit bezpečnostní opatření na ochranu obsluhy, která jsou založena na odhadu expozice ve skutečných podmínkách používání (s přihlédnutím ke všem částem pracovního cyklu, jako je doba, kdy je stroj vypnut a kdy běží naprázdno, navíc k době spuštění).

POPIS

JEDNOTLIVÉ ČÁSTI NÁSTAVCE VERTIKUTÁTOREM (obr. A)

1. Koncovka (2)
2. Hřídel nástavce
3. Spodní kryt
4. Kolo
5. Sestava horního krytu
6. Páka pro nastavení hloubky
7. Ochranný kryt deflektoru
8. Shrnovací lišta
9. Šestihranný klíč 4 mm
10. Šestihranný klíč 5 mm
11. Hrabací hroty
12. Válec vertikutátoru

MONTÁŽ

VAROVÁNÍ: Pokud jsou některé díly poškozené nebo chybí, nepoužívejte výrobek, dokud se díly nevymění. Použití tohoto výrobku s poškozenými nebo chybějícími díly může vést k vážnému úrazu.

VAROVÁNÍ: Nepokoušejte se výrobek upravovat ani vytvářet příslušenství, které se k tomuto výrobku nedoporučuje. Každá taková změna nebo úprava je nesprávná a může vést k nebezpečné situaci, která může zapříčinit vážný úraz.

PŘIPOJENÍ HŘÍDELE K SESTAVĚ VERTIKUTÁTORU (obr. B)

| | | | |
|-----|-----------------|-----|-----------------|
| B-1 | Šroub M5 | B-4 | Otvor |
| B-2 | Šroub | B-5 | Otvor pro šroub |
| B-3 | Hřídel nástavce | B-6 | Spodní kryt |

1. Položte sestavu vertikutátoru vzhůru nohama na stabilní rovný povrch.
2. Odstraňte koncovku z předního konce hřídele nástavce.

GZ

3. S otvorem na hřídeli nástavce směrem nahoru zasuněte hřídel nástavce do spodního krytu nástavce až na doraz. Otvor pro šroub ve spodním krytu vyrovnejte s otvorem na hřídeli nástavce.
4. Pomocí dodaného 4mm šestihranného klíče zajistěte spodní kryt k hřídeli nástavce šroubem M5.
5. Pomocí šestihranného klíče pevně utáhněte dva předinstalované šrouby ke spodnímu krytu.

⚠ VAROVÁNÍ: Před uvedením zařízení do provozu se ujistěte, že jsou všechny tři šrouby pevně utaženy; během používání pravidelně kontrolujte jejich dotažení, aby nedošlo k vážnému zranění.

PŘIPOJENÍ NÁSTAVCE S VERTIKUTÁTOREM NA POHONNOU HLAVU

Tento nástavec s vertikutátorem je určen pro použití s pohonnou hlavou EGO PH1400E/PH1420E/PHX1600.

Viz část „**INSTALACE NÁSTAVCE NA POHONNOU HLAVU**“ v příručce pro obsluhu pohonné hlavy PH1400E/PH1420E/PHX1600.

OBSLUHA

⚠ VAROVÁNÍ: Dbejte na to, abyste po seznámení s výrobkem nepřestali být opatrní. Nezapomínejte, že stačí chvíle nepozornosti a může se stát vážný úraz.

⚠ VAROVÁNÍ: Vždy používejte ochranu očí. Pokud tak neučiníte, může dojít k vymrštění předmětu do očí nebo případně jiným vážným úrazům.

⚠ VAROVÁNÍ: Před servisem, čištěním, výměnou nástavců nebo odstraněním materiálu vyjměte akumulátor z výrobku, aby nedošlo k vážnému úrazu.

⚠ VAROVÁNÍ: Nepoužívejte nástavce nebo příslušenství, které nedoporučuje výrobce tohoto výrobku. Použití nedoporučených nástavců a příslušenství může vést k vážnému úrazu.

POUŽITÍ

Odstraňte z trávníků staré, zaschlé odřezky, mech, trávu nebo zbytky kořenů.

SPUŠTĚNÍ/ZASTAVENÍ VERTIKUTÁTORU

Před použitím vertikutátoru

⚠ VAROVÁNÍ: Aby nedošlo k vážnému úrazu, při práci s tímto strojem vždy používejte ochranné brýle. V prašném prostředí používejte ochrannou masku nebo protiprachový respirátor. Při práci používejte vhodný oděv a obuv, abyste snížili riziko zranění, které mohou způsobit odletující úlomky.

- Před použitím výrobek důkladně zkontrolujte, zda není poškozen. Nepoužívejte stroj, pokud je poškozený nebo opotřebovaný.
- Ujistěte se, že na trávníku nejsou kameny, klacky, dráty nebo jiné předměty, které by mohly výrobek poškodit.
- Před prací trávník posekejte a poté přihnějte.

Provozní tipy

Aby na jaře vyrostl zdravý trávník, je nutné, aby do oblasti kolem kořenů trávy pronikalo větší množství vzduchu. Doporučujeme trávník provzdušňovat minimálně dvakrát ročně, na jaře nebo na podzim v závislosti na stavu vašeho trávníku.

- Neošetřujte svahy se sklonem přesahujícím 15 stupňů. Trávu ve svahu ošetřujte podélně; nikdy ne nahoru a dolů. Při změně směru na svahu dbejte zvýšené opatrnosti.
- Nepracujte s tímto výrobkem na mokřem trávníku, protože mokrá tráva má tendenci ulpívat na desce a hrotech, mohla by také způsobit uklouznutí a pád.
- Držte stroj oběma rukama. Udržujte rukojeti suché, abyste zajistili bezpečnou podporu.
- Pomalu tlačte stroj dopředu. Pohybujte strojem vhodnou rychlostí. Nepohybujte s ním příliš rychle, aby nedošlo k zaseknutí hrotů a přetížení motoru.
- Pokud do pracovního prostoru vstoupí další osoby, stroj okamžitě vypněte. Před odložením stroje vždy počkejte, až se zcela zastaví.
- Nepřepíňujte. Dělejte si pravidelné přestávky, abyste se mohli soustředit na práci a mít nad strojem plnou kontrolu.
- Pracujte v mírně se překrývajících řadách. Nejúčinnějším vzorem jsou rovné čáry podél jedné ze stran (obr. C). Díky tomu budou řádky rovné a veškerý trávník bude provzdušněn bez vynechání neošetřených míst.
- Při změně směru buďte zvláště opatrní.
- Vždy dbejte na pevný postoj. Uklouznutí a pád může způsobit vážný úraz. Pokud máte pocit, že ztrácíte rovnováhu, okamžitě vypněte motor.
- Nepracujte v blízkosti srázů, příkopů nebo naspů; můžete ztratit pevnou půdu pod nohama nebo rovnováhu.

Zapnutí/vypnutí nástavce s vertikutátorem

Viz část „**ZAPNUTÍ/VYPNUTÍ POHONNÉ HLAVY**“ v návodu k obsluze pohonné hlavy PH1400E/PH1420E / PHX1600.

VAROVÁNÍ: Zastavte stroj, pokud by musel být nakloněno z důvodu přepravy při přejiždění jiných než travnatých povrchů a při přepravě stroje do a z místa, kde se má používat.

VAROVÁNÍ: Při zapínání motoru stroj nenaklánějte, s výjimkou případů, kdy je nutné jej naklonit pro spuštění. V takovém případě jej nenaklánějte více, než je nezbytně nutné, a zdvihněte pouze jednu část, která je vzdálenější od obsluhy.

Zkontrolujte, zda se hroty nezablokovaly

- Abyste předešli zablokování, očistěte spodní stranu stroje před a po každém použití, abyste odstranili veškeré nahromaděné nečistoty.
- Když dojde k zablokování, zastavte stroj a vyjměte akumulátor, odstraňte nános trávy a listů z hrotů, kolem hrotů a z desky. Stroj otřete čistým a vlhkým hadrem.

NASTAVENÍ HLOUBKY (Obr. D)

VAROVÁNÍ: Při nastavování hloubky udržujte nohy vždy v bezpečné vzdálenosti od desky.

Hloubku provzdušnění lze nastavit do 3 poloh:

- 1 a 2: pracovní poloha
- 3: přepravní poloha

Nastavte hloubku podle potřeb vašeho trávníku.

1. Vypněte stroj a počkejte, až se úplně zastaví.
2. Vyjměte akumulátor.
3. Vytáhněte páčku nastavení hloubky ze zářátky a nastavte ji do požadované polohy.

| | | | |
|-----|-----------------------------|-----|------------------|
| D-1 | Páčka pro nastavení hloubky | D-2 | Hloubková poloha |
|-----|-----------------------------|-----|------------------|

ÚDRŽBA

VAROVÁNÍ: Před kontrolou, čištěním nebo údržbou stroje zastavte motor, počkejte, až se všechny pohyblivé díly zastaví a vyjměte akumulátor. Nedodržení těchto pokynů může vést k vážnému zranění nebo poškození majetku.

VAROVÁNÍ: Vždy používejte ochranu očí s bočními kryty. Pokud tak neučiníte, může dojít k vyvrstvení předmětu do očí, což může mít za následek vážné zranění.

VAROVÁNÍ: Při opravách používejte pouze originální náhradní díly. Použití jiných dílů může být nebezpečné nebo může způsobit poškození výrobku. Pro zajištění bezpečnosti a spolehlivosti musí veškeré opravy, kromě položek uvedených v tomto návodu k údržbě, provádět kvalifikovaný servisní technik.

VAROVÁNÍ: Po nárazu do cizího předmětu zastavte stroj a vyjměte akumulátor, abyste se ujistili, že se všechny pohyblivé části zcela zastavily. Zkontrolujte, zda stroj nebyl poškozen; před zahájením provozu proveďte případné opravy.

VAROVÁNÍ: Pokud stroj začne abnormálně vibrovat, zastavte jej a vyjměte akumulátor, abyste se ujistili, že se všechny pohyblivé části zcela zastavily. Poté ihned zkontrolujte, zda nedošlo k poškození, vyměňte nebo opravte poškozené díly a zkontrolujte a utáhněte všechny uvolněné díly.

VAROVÁNÍ: Při nastavení stroje buďte opatrní, aby se vám nezachytily prsty mezi jeho pohyblivé a pevné díly.

ČIŠTĚNÍ

VAROVÁNÍ: Při čištění NEPONOŘUJTE nástavec s vertikátorem do vody ani jiných kapalin.

K čištění plastových dílů nepoužívejte rozpouštědla. Většina plastů je náchylná k poškození různými typy komerčních rozpouštědel a jejich použití je může poškodit. K odstranění nečistot, prachu, oleje, maziva atd. použijte čistý hadr.

MAZÁNÍ

Veškerá ložiska v tomto výrobku jsou za normálních provozních podmínek namazána dostatečným množstvím vysoce kvalitního maziva na celou dobu životnosti stroje. Proto není nutné žádné další mazání ložisek.

VÝMĚNA VÁLCE

VAROVÁNÍ: Před prováděním jakékoli údržby vždy vyjměte akumulátor ze stroje a počkejte, dokud se válec s hroty úplně nezastaví. Při manipulaci s hroty vždy používejte ochranné rukavice.

Demontáž válce

1. Vyjměte akumulátor z pohonné hlavy.
2. Položte nástavec dnem vzhůru na rovný stabilní povrch.
3. Pomocí dodaného 5mm šestihranného klíče povolte a vyjměte dva zajišťovací šrouby na sedle ložiska válce vertikátora (obr. E1).
4. Zatlačte válec vertikátora doleva, dokud se drážkový hřídel na pravém konci nevysune z drážkovaného náboje stroje (obr. E2).
5. Vyjměte válec vertikátora ze stroje (Obr. E3).

| | | | |
|------|-----------------|------|---------------------|
| E1-1 | Ložiskové sedlo | E1-2 | Válec vertikutátoru |
| E2-1 | Hřídel vřetena | E2-2 | Náboj vřetena |

Instalace nového válce

1. Umístěte sedlo ložiska nového válce na základnu stroje a zatlačte válec doleva až na doraz (obr. F1).
2. Vyrovnajte a vložte drážkovaný hřídel na pravé straně válce do drážkovaného náboje stroje (obr. F2).
3. Vyrovnajte dva otvory na sedle ložiska s otvory na základně a zajistěte sedlo ložiska k základně pomocí pojistných šroubů (obr. F3).

VÝMĚNA HRABACÍCH HROTŮ

Při běžném používání se mohou hrabací hroty časem opotřebovat nebo zlomit. Pokud ani seřízení hloubky hrotů již neposkytuje správnou úroveň provzdušnění nebo pokud se hrot zlomí, vyměňte hroty podle níže uvedeného postupu.

Demontáž hrotu

1. Vyměňte akumulátor z pohonné hlavy.
2. Položte nástavec dnem vzhůru na rovný stabilní povrch.
3. Zatlačte dva kolíky hrabacího hrotu do štěrbin 1 na válci a stáhněte hrabací hrot z válce vertikutátoru, jak je znázorněno na obr. G.

| | | | |
|-----|-------|-----|----------|
| G-1 | Kolík | G-2 | Štěrba 1 |
|-----|-------|-----|----------|

Instalace hrabacího hrotu (obr. H)

1. Zasuňte čep hrabacího hrotu do štěrbin 1 na válci (krok 1).
2. Vložte sedlo hrabacího hrotu do štěrbin 2 na válci (krok 2).
3. Zaveďte dva kolíky hrotu do štěrbin 1, zatlačte dopředu do polohy ve štěrbině 3 a oba kolíky se automaticky vrátí na místo (krok 3 a 4).

| | | | |
|-----|----------|-----|----------|
| H-1 | Kolík | H-2 | Štěrba 1 |
| H-3 | Štěrba 2 | H-4 | Štěrba 3 |

PŘEPRAVA A SKLADOVÁNÍ

- Vyměňte akumulátor z pohonné hlavy.
- Než stroj uskladníte, počkejte, než vychladne.
- Před uskladněním stroj důkladně vyčistěte.
- Stroj skladujte na suchém, dobře větraném, uzamčeném nebo vyvýšeném místě mimo dosah dětí. Neskladujte stroj v blízkosti hnojiv, benzinu nebo jiných chemikálií.

OCHRANA ŽIVOTNÍHO PROSTŘEDÍ



Elektrické zařízení, použité akumulátory a nabíječku nevhazujte do domovního odpadu! Tento produkt předejte autorizované recyklační společnosti ke tříděnému sběru. Elektrické stroje musí být odevzdaný do recyklačního zařízení na ekologicky šetrnou likvidaci.

ODSTRAŇOVÁNÍ ZÁVAD

| PROBLÉM | PŘÍČINA | ŘEŠENÍ |
|----------------------------------------------------------|-------------------------------------------------------------------------------------------------------------------------------------------------------------------------------------------------------------------|----------------------------------------------------------------------------------------------------------------------------------------------------------------------------------------------------------------------------------------------------------------------|
| Motor nestartuje. | <ul style="list-style-type: none"> ■ Akumulátor je vybitý. ■ Odblokovací tlačítko nebo spoušť nebyly použity správně. ■ Akumulátor není zcela zasunut v prostoru pro akumulátor. | <ul style="list-style-type: none"> ■ Nabijte akumulátor. ■ Postupujte podle části „SPUŠTĚNÍ/ ZASTAVENÍ POHONNÉ HLAVY“ v příručce k pohonné hlavě. ■ Zkontrolujte, zda je akumulátor zcela zasunut v prostoru pro akumulátor. |
| Stroj vydává neobvyklé zvuky. | <ul style="list-style-type: none"> ■ Nečistoty nebo cizí předměty blokují hroty stroje. | <ul style="list-style-type: none"> ■ Zastavte motor, vyjměte akumulátor a odstraňte nečistoty nebo cizí předměty, které brání správnému fungování stroje. |
| Stroj nefunguje správně nebo nejsou uspokojivé výsledky. | <ul style="list-style-type: none"> ■ Tráva je příliš vysoká. | <ul style="list-style-type: none"> ■ Před vertikutací trávník posekejte. |
| | <ul style="list-style-type: none"> ■ Na spodní straně desky se usazují mokré nečistoty. | <ul style="list-style-type: none"> ■ Před vertikutací počkejte, až tráva uschne. |
| | <ul style="list-style-type: none"> ■ Špatně nastavená hloubka. | <ul style="list-style-type: none"> ■ Upravte hloubku hrotů, abyste dosáhli požadovaného výsledku. |
| | <ul style="list-style-type: none"> ■ Opatřebené nebo poškozené hroty. | <ul style="list-style-type: none"> ■ Podle potřeby vyměňte hroty. |

CZ

ZÁRUKA

ZÁRUČNÍ PODMÍNKY SPOLEČNOSTI EGO

Úplné záruční podmínky společnosti EGO naleznete na webové stránce egopowerplus.eu.

PREČÍTAJTE SI VŠETKY POKYNY!



PREČÍTAJTE SI NÁVOD NA OBSLUHU

BEZPEČNOSTNÉ SYMBOLY

Účelom bezpečnostných symbolov je upozorniť na možné nebezpečenstvá. Venujte príslušnú pozornosť a pochopte bezpečnostné symboly a ich vysvetlenia. Varovné symboly, samy o sebe, nedokážu eliminovať nebezpečenstvo. Pokyny a varovania, ktoré obsahujú, nie sú náhradou za vhodné opatrenia na prevenciu úrazov.

VAROVANIE: Pred použitím tohto stroja si prečítajte a pochopte všetky bezpečnostné pokyny v tomto návode na obsluhu vrátane všetkých bezpečnostných výstražných symbolov ako napríklad „NEBEZPEČENSTVO“, „VAROVANIE“ a „UPOZORNENIE“. Nedodržanie všetkých nižšie uvedených pokynov môže mať za následok úraz elektrickým prúdom, požiar a/alebo vážne zranenie osôb.

VÝZNAM SYMBOLU

VAROVANIE: BEZPEČNOSTNÝ VÝSTRAŽNÝ SYMBOL:

Upozorňuje na **NEBEZPEČENSTVO**, **VÝSTRAHU** alebo **UPOZORNENIE**. Môže byť použitý v spojení s inými symbolmi alebo piktogramami.



VAROVANIE: Prevádzka akéhokoľvek stroja môže viesť k vymršteniu cudzích predmetov do vašich očí, čo môže spôsobiť vážne poškodenie zraku. Predtým, než začnete používať stroj, si vždy nasadzte

ochranné okuliare alebo ochranné okuliare s postrannými krytmi a prípadne celotvárový štít. Odporúčame použiť bezpečnostnú masku so širokým prierezom na okuliare alebo štandardné bezpečnostné okuliare s postrannými krytmi.

BEZPEČNOSTNÉ POKYNY

Táto strana zobrazuje a popisuje bezpečnostné symboly, ktoré sa objavujú na tomto výrobku. Pred pokusom o zostavenie a prevádzkovanie si prečítajte, pochopte a dodržiavajte všetky pokyny na stroji.

| | | |
|--|----------------------------------------------------------------------------------------|-------------------------------------------------------------------------------------------------------------------------------|
| | Bezpečnostné upozornenie | Upozorňuje na potenciálne nebezpečenstvo úrazu. |
| | Prečítajte si a pochopte návod na obsluhu | Ak chcete znížiť riziko zranenia, používateľ musí pred použitím tohto výrobku prečítať a pochopiť návod na obsluhu. |
| | Používajte ochranu zraku | Pri práci s týmto výrobkom vždy noste ochranné okuliare alebo ochranné okuliare s postrannými krytmi a celotvárový štít. |
| | VAROVANIE – Dávajte pozor na odhodené predmety – nepúšťajte okolojdúcich do blízkosti. | Upozorňuje používateľa, aby dával pozor na vymrštené predmety – nepúšťajte okolojdúcich do blízkosti. |
| | NEBEZPEČENSTVO – Držte ruky a nohy v bezpečnej vzdialenosti | Upozorňuje, aby používateľ držal ruky a nohy v bezpečnej vzdialenosti. |
| | VAROVANIE – Ruky a nohy držte ďalej od hrotov | Upozorňuje, aby používateľ držal ruky a nohy mimo dosahu hrotov. |
| | CE | Tento výrobok je v súlade s platnými smernicami ES. |
| | UKCA | Tento výrobok je v súlade s platnou legislatívou Spojeného kráľovstva. |
| | WEEE | Odpadové elektrické výrobky sa nesmú likvidovať spolu s domovým odpadom. Odovzdajte do autorizovaného recyklačného strediska. |
| | Hluk | Garantovaná hladina akustického výkonu. Emisie hluku do prostredia sú podľa smernice Európskeho spoločenstva. |

| | | |
|-------------------|-----------------------------------------------|-----------------------------------------------------------------|
| V | Volt | Napätie |
| | Jednosmerný prúd (DC) | Typ alebo charakteristika prúdu |
| mm | Milimeter | Dĺžka alebo veľkosť |
| kg | Kilogram | Hmotnosť |
| min | Minúty | Čas |
| n_0 | Rýchlosť bez zaťaženia | Rýchlosť otáčania, bez záťaže |
| Min^{-1} | Počet otáčok alebo vratných pohybov za minútu | Otáčky, zdvihy, povrchová rýchlosť, obežné cykly atď. za minútu |
| OT./MIN. | Otáčky za minútu | Rýchlosť otáčania |
| °C | Stupne Celzia | Teplota |

VAROVANIE: Pre zaistenie bezpečnosti a spoľahlivosti je nevyhnutné, aby všetky opravy vykonával len kvalifikovaný servisný technik.

VŠEOBECNÉ BEZPEČNOSTNÉ POKYNY PRE AKUMULÁTOROVÉ NÁRADIE

VAROVANIE: PREČÍTAJTE SI VŠETKY BEZPEČNOSTNÉ VAROVANIA, POKYNY, ILUSTRÁCIE A ŠPECIFIKÁCIE DODANÉ S TÝMTO STROJOM.

Nedodržanie nižšie uvedených pokynov môže mať za následok úraz elektrickým prúdom, požiar a/alebo vážne zranenie.

ODLOŽTE SI VŠETKY VAROVANIA A POKYNY PRE BUDÚCE POUŽITIE.

Pojem „stroj“ v upozorneniach sa vzťahuje na stroj napájaný zo siete (so šnúrou) alebo na stroj napájaný z akumulátora (bezšnúrový).

BEZPEČNOSŤ PRACOVISKA

- **Udržiavajte pracovisko čisté a dobre osvetlené.** Neprehľadné alebo tmavé priestory vedú k nehodám.
- **Nepoužívajte stroje vo výbušnom prostredí, napríklad v prítomnosti horľavých kvapalín, plynov alebo prachu.** Stroje vytvárajú iskry, ktoré môžu zapáliť prach alebo výpary.
- **Pri používaní stroja udržiavajte deti a okolostojace**

osoby mimo pracoviska. Rozptyľovanie pozornosti môže viesť ku strate kontroly.

ELEKTRICKÁ BEZPEČNOSŤ

- **Zástrčka stroja musí zodpovedať elektrickej zásuvke. Nikdy a žiadnym spôsobom nemodifikujte zástrčku. Nepoužívajte žiadne rozbočovacie zástrčky s uzemneným strojom.** Neupravené zástrčky a vhodné zásuvky obmedzia nebezpečenstvo úrazu elektrickým prúdom.
- **Zabráňte kontaktu tela s uzemnenými povrchmi, ako sú rúry, radiátory, sporáky a chladničky.** Dochádza k zvýšeniu rizika úrazu elektrickým prúdom, ak je vaše telo uzemnené.
- **Neprevádzkujte stroj v daždi alebo vo vlhkom prostredí.** Môže to spôsobiť zásah elektrickým prúdom.
- **Nepoužívajte kábel nesprávnym spôsobom. Nikdy nepoužívajte kábel na nosenie, ťahanie alebo odpájanie stroja. Udržujte kábel v dostatočnej vzdialenosti od zdrojov tepla, oleja, ostrých hrán alebo pohyblivých častí.** Poškodená alebo zamotaná šnúra zvyšuje riziko zasiahnutia elektrickým prúdom.
- **Ak sa chystáte stroj použiť v exteriéroch, použite výhradne predlžovací šnúru vhodnú na použitie v exteriéroch.** Použitie kábla vhodného pre použitie v exteriéroch znižuje riziko úrazu elektrickým prúdom.
- **Ak je používanie stroja vo vlhkom prostredí nevyhnutné, použite napájanie chránené prerušovačom obvodu uzemnenia (GFCI).** Použitie GFCI znižuje riziko úrazu elektrickým prúdom.

SK

BEZPEČNOSŤ OSÔB

- **Buďte pozorní, sledujte to, čo robíte a používajte zdravý rozum pri práci so strojom. Nepoužívajte stroj, ak ste unavení alebo pod vplyvom drog, alkoholu alebo liekov.** Chvilková nepozornosť pri práci so strojmi môže mať za následok vážne zranenie.
- **Používajte osobné ochranné pomôcky. Vždy používajte ochranu očí.** Ochranné prostriedky ako respirátor, protišmyková bezpečnostná obuv, prilba alebo chrániče sluchu použité za vhodných podmienok znižujú nebezpečenstvo zranenia.
- **Zabráňte neúmyselnému uvedeniu do prevádzky. Pred pripojením k zdroju napájania a/alebo akumulátoru, pri zdvíhaní alebo prenášaní stroja sa uistite, že prepínač je vo vypnutej polohe.** Prenášanie strojov s prstom na vypínači alebo zapájanie strojov, ktoré majú vypínač zapnutý, môže viesť k nehodám.
- **Pred spustením stroja vždy odstráňte nastavovací kľúč alebo náradie.** Kľúč alebo náradie, ktoré necháte

pripevnené k otáčajúcej sa časti stroja, môže spôsobiť zranenie osôb.

- **Nenakláňajte sa. Pri práci vždy dodržujte správny postoj a rovnováhu.** To umožňuje lepšiu ovládateľnosť stroja v nečakaných situáciách.
- **Noste vhodné oblečenie. Nenoste šperky alebo voľný odev. Udržujte vlasy a oblečenie mimo dosah pohybujúcich sa častí.** Voľný odev, šperky alebo dlhé vlasy môžu byť zachytené pohybujúcimi sa dielmi.
- **Pokiaľ je náradie vybavené zariadením na zachytávanie prachu a úlomkov materiálu, skontrolujte, či je k náradiu správne pripevnené.** Použitie odsávania prachu môže znížiť nebezpečenstvo, ktoré súvisí s prachom.
- **Nedovoľte, aby ste sa po získaní skúseností častým používaním stroja stali neobozretnými a ignorovali zásady bezpečnosti.** Nedbalá činnosť môže spôsobiť vážne zranenie za zlomok sekundy.

POUŽÍVANIE STROJA A STAROSTLIVOSŤ

- **Netlačte na stroj silou. Použite správny stroj pre vašu prácu.** Stroj bude pracovať lepšie a bezpečnejšie pri rýchlosti, na ktorú bol navrhnutý.
- **Nepoužívajte stroj, ak sa nedá zapnúť a vypnúť použitím vypínača.** Stroj, ktorý sa nedá ovládať vypínačom, je nebezpečný a musí sa opraviť.
- **Pred akýmkoľvek úpravami, výmenou príslušenstva alebo uskladnením stroja odpojte zástrčku od zdroja napájania a/alebo vyberte zo stroja akumulátor, ak je odpojiteľný.** Takéto preventívne bezpečnostné opatrenia znižujú riziko náhodného spustenia stroja.
- **Nečinný stroj skladujte mimo dosahu detí a nedovoľte osobám, ktoré nie sú oboznámené so strojom alebo s týmto návodom, aby stroj obsluhovali.** Stroje sú v rukách nevyškolených používateľov nebezpečné.
- **Vykonávajte údržbu strojov a príslušenstva. Kontrolujte nastavenie pohyblivých častí, poškodenie dielov a akékoľvek ďalšie okolnosti, ktoré môžu mať vplyv na funkciu stroja.** Ak je poškodený, nechajte ho pred použitím opraviť. Veľa úrazov je zapríčinených zle udržiavanými strojmi.
- **Rezacie stroje udržiavajte ostré a čisté.** Starostlivo ošetrované rezacie stroje s ostrými čepeľami menej pravdepodobne uviaznu a jednoduchšie sa ovládajú.
- **Používajte stroj, príslušenstvo, nadstavce apod. podľa týchto pokynov a rešpektujte pritom pracovné podmienky a vykonávanú činnosť.** Použitie stroja na iné ako určené účely môže viesť k nebezpečným situáciám.

- **Udržujte rukoväte a uchopovacie plochy suché, čisté, bez oleja a maziva.** Klzké držiadlá a uchopovacie plochy neumožňujú bezpečnú manipuláciu so strojom a jeho ovládanie v nečakaných situáciách.

POUŽÍVANIE A STAROSTLIVOSŤ O AKUMULÁTOROVÝ STROJ

- **Nabíjajte len pomocou nabíjačky špecifikovanej výrobcom.** Nabíjačka, ktorá je vhodná pre jeden typ akumulátora, môže predstavovať pri nabíjaní iného typu akumulátora nebezpečenstvo.
- **Používajte stroje a s výslovnou určeními akumulátormi.** Použitie iných typov akumulátorov môže spôsobiť riziko úrazu a požiaru.
- **Ak sa akumulátor nepoužíva, držte ho mimo iných kovových predmetov, ako sú sponky, mince, kľúče, kince, skrutkovače alebo iné malé kovové predmety, ktoré by mohli navzájom prepojiť kontakty akumulátora.** Skratovanie kontaktov akumulátora môže spôsobiť popálenie alebo požiar.
- **Za nevhodných podmienok môže z akumulátora unikáť kvapalina. Zabráňte kontaktu. Pri náhodnom kontakte opláchnite vodou.** Pri zasiahnutí očí vyhľadajte lekársku pomoc. Unikajúca kvapalina z akumulátora môže spôsobiť podráždenie pokožky alebo popálenie.
- **Nepoužívajte akumulátor alebo stroj, ktoré sú poškodené alebo upravené.** Poškodené alebo upravené akumulátory môžu mať nepredvídateľné chovanie, ktoré môže viesť k požiaru, výbuchu alebo nebezpečenstvu poranenia.
- **Nevystavujte akumulátor ani stroj ohňu alebo nadmernej teplote.** Pri vystavení ohňu alebo teplote nad 130 °C môže dôjsť k výbuchu.
- **Dodržujte všetky pokyny pre nabíjanie a nenabíjajte akumulátor alebo stroj mimo teplotného rozsahu uvedeného v pokynoch.** Nesprávne nabíjanie alebo nabíjanie pri teplotách mimo stanovený rozsah môže poškodiť akumulátor a zvýšiť riziko požiaru.

OPRAVA

- **Nechajte váš stroj opraviť kvalifikovanou osobou s použitím iba identických náhradných dielov.** Tým sa zabezpečí, že bezpečnosť stroja zostane zachovaná.
- **Nikdy neopravujte poškodené akumulátory.** Servis akumulátorov smie robiť iba výrobca alebo autorizovaní servisní poskytovatelia.

BEZPEČNOSTNÉ VAROVANIA TÝKAJÚCE SA VERTIKUTÁTORA

- **Nepoužívajte stroj za nepriaznivých**

poveternostných podmienok, najmä ak existuje nebezpečenstvo blesku. Tým sa znižuje riziko úderu bleskom.

- **Dôkladne skontrolujte oblasť, v ktorej sa má stroj používať, či sa v nej nenachádzajú voľne žijúce zvieratá.** Počas prevádzky môže stroj zraniť voľne žijúce zvieratá.
- **Dôkladne skontrolujte oblasť, kde má byť stroj používaný a odstráňte všetky kamene, palice, drôty, kosti a iné cudzie predmety.** Vymrštené predmety môžu spôsobiť vážne zranenie.
- **Pred použitím stroja vždy vizuálne skontrolujte, či hroty a zostava hrotov nie sú opotrebované alebo poškodené.** Opotrebované alebo poškodené diely zvyšujú riziko zranenia.
- **Udržujte ochranné kryty na mieste. Ochranné kryty musia byť funkčné a správne namontované.** Ochranný kryt, ktorý je uvoľnený, poškodený alebo nefunguje správne, môže spôsobiť zranenie.
- **Udržujte všetky vzduchové chladiace príruby bez nečistôt.** Zablokované príruby vzduchu a nečistoty môžu spôsobiť prehriatie alebo riziko požiaru.
- **Pri prevádzke stroja vždy noste protišmykovú a ochrannú obuv. Nástroje nikdy nepoužívajte naboso ani v otvorených sandáloch.** Tým sa znižuje možnosť zranenia chodidiel pri kontakte s pohybujúcimi sa hrotmi.
- **Počas prevádzky stroja vždy noste dlhé nohavice.** Odhalená koža zvyšuje pravdepodobnosť zranenia od vymrštených predmetov.
- **Nepracujte so strojom vo vlhkej tráve. Kráčajte, nikdy nebežte.** Tým sa znižuje riziko pošmyknutia a pádu, čo môže viesť k zraneniu osôb.
- **Stroj neprevádzkujte na príliš strmých svahoch.** Tým sa znižuje riziko straty kontroly, pošmyknutia a pádu, ktoré môžu mať za následok zranenie osôb.
- **Pri práci na svahoch sa vždy uistite, že máte stabilný postoj, vždy pracujte naprieč povrchu svahu, nikdy nie hore alebo dole a pri zmene smeru buďte mimoriadne opatrní.** Tým sa znižuje riziko straty kontroly, pošmyknutia a pádu, ktoré môžu mať za následok zranenie osôb.
- **Buďte mimoriadne opatrní pri cúvaní alebo ťahaní stroja smerom k sebe. Vždy si všimajte vaše okolie.** Tým sa znižuje riziko zakopnutia počas prevádzky.
- **Stroj držte len za izolované rukoväte, pretože hroty môžu prísť do kontaktu so skrytým vedením.** Hroty, ktoré prídu do kontaktu s vedením pod elektrickým prúdom, môžu nabiť kovové časti stroja a spôsobiť používateľovi zásah elektrickým prúdom.

- **Nedotýkajte sa hrotov a iných nebezpečných pohyblivých častí, kým sú v pohybe.** Tým sa znižuje riziko zranenia pohyblivými časťami.
- **Pri odstraňovaní zaseknutého materiálu alebo čistení stroja sa uistite, že sú všetky vypínače vypnuté a akumulátor je odpojený.** Neočakávaná prevádzka stroja môže viesť k vážnemu zraneniu osôb.

ĎALŠIE UPOZORNENIA

- Používajte iba s pohonnou hlavou EGO PH1400E/PH1420E/PHX1600.
POZNÁMKA: Podrobné bezpečnostné pravidlá a prevádzkové pokyny nájdete v návode na obsluhu pohonnej hlavy EGO PH1400E/PH1420E/PHX1600.

ODLOŽTE SI TIETO POKYNY

TECHNICKÉ ÚDAJE

| | |
|----------------------------------------------|------------------------------------------|
| Maximálna pracovná šírka | 355 mm |
| Otáčky bez zaťaženia (pri PH1420E) | Nízka: 2 600 OT./MIN. |
| | Vysoká: 3 000 OT./MIN. |
| Ovládač nastavenia hĺbky | 3 polohy |
| Hĺbka vertikutácie | 0/10 mm/20 mm |
| Odporúčaná prevádzková teplota | 0 °C – 40 °C |
| Odporúčaná skladovacia teplota | -20 °C – 70 °C |
| Nameraná hladina akustického výkonu L_{WA} | 88 dB(A) K=2 dB(A) (PH1400E) |
| | 88,49 dB(A) K=0,81 dB(A) (PH1420E) |
| | 90 dB(A) K=0,9 dB(A) (PHX1600) |

SK

| | | |
|---------------------------------------------------------------------------|--------------------------------------|--------------------------------------------|
| Hladina akustického tlaku na uši obsluhy L_{PA} | 82 dB(A) K=3 dB(A) (PH1400E) | |
| | 79,8 dB(A) K=3 dB(A) (PH1420E) | |
| | 82 dB(A) K=3 dB(A) (PHX1600) | |
| Garantovaná hladina akustického výkonu L_{WA} (merané podľa 2000/14/ES) | 92 dB(A) | |
| Ohodnotenie vibrácií a_n | Predná pomocná rukoväť | 2,35 m/s^2 K=1,5 m/s^2 (PH1400E) |
| | | 2,36 m/s^2 K=1,5 m/s^2 (PH1420E) |
| | | 2,63 m/s^2 K=1,5 m/s^2 (PHX1600) |
| | Rear handle | 2,66 m/s^2 K=1,5 m/s^2 (PH1400E) |
| | | 2,24 m/s^2 K=1,5 m/s^2 (PH1420E) |
| | | 1,74 m/s^2 K=1,5 m/s^2 (PHX1600) |
| Hmotnosť (s valcom vertikátora) | 7,4 kg | |

- Vyššie uvedené parametre sú testované a merané s pohonnou hlavou PH1400E/PH1420E/PHX1600.
- Deklarovaná celková hodnota vibrácií bola meraná v súlade so štandardnou skúšobnou metódou a môže sa použiť na vzájomné porovnanie jednotlivých náradí.
- Uvádzaná celková hodnota vibrácie sa môže použiť aj na predbežný odhad expozície.

VAROVANIE: Emisia vibrácií pri skutočnom používaní stroja sa môže odlišovať od deklarovanej hodnoty, pričom sa stroj používa; za účelom ochrany obsluhy má používateľ v skutočných podmienkach použitia nosiť rukavice a ochranu sluchu.

VAROVANIE: Je potrebné určiť bezpečnostné opatrenia na ochranu obsluhy, ktoré sú založené na odhade expozície v skutočných podmienkach používania

(berúc do úvahy všetky časti prevádzkového cyklu, ako napríklad časy, keď je stroj vypnutý a keď beží naprázdno, navyše k času spustenia).

POPIS

PREDSTAVENIE VERTIKUTÁTOROVÉHO NADSTAVCA (obr. A)

1. Koncovka (2)
2. Prípojný hriadeľ
3. Spodný kryt
4. Koleso
5. Zostava horného krytu
6. Páka na nastavenie hĺbky
7. Chránič deflektora
8. Stieracia lišta
9. Šesthranný kľúč 4 mm
10. Šesthranný kľúč 5 mm
11. Hrabľové hroty
12. Valec vertikátora

MONTÁŽ

VAROVANIE: Ak akýkoľvek diel chýba, alebo je poškodený, nepoužívajte tento výrobok, kým nie sú vymenené diely. Ak používate tento výrobok s poškodenými alebo chýbajúcimi časťami, môže dôjsť k vážnemu zraneniu.

VAROVANIE: Nepokúšajte sa upravovať tento výrobok alebo vytvoriť príslušenstvo, ktoré nie je odporúčané na použitie s týmto výrobkom. Každá takáto zmena alebo modifikácia sa považuje za zneužitie a môže spôsobiť nebezpečný stav, ktorý vedie k možnému vážnemu zraneniu.

PRIPOJENIE HRIADEĽA NÁDSTAVCA K ZOSTAVE VERTIKUTÁTORA (obr. B)

| | | | |
|-----|------------------|-----|------------------|
| B-1 | Skrutka M5 | B-4 | Otvor |
| B-2 | Skrutka | B-5 | Otvor na skrutku |
| B-3 | Prípojný hriadeľ | B-6 | Spodný kryt |

1. Položte zostavu vertikátora hore nohami na stabilný rovný povrch.
2. Odstráňte koncovku z prednej časti hriadeľa príslušenstva.

SK

3. Keď otvor na hriadelí nadstavca smeruje nahor, zasuňte až nadoraz hriadelí nadstavca do spodného krytu nadstavca. Zarovnajajte otvor na skrutku v spodnom kryte s otvorom v hriadelí príslušenstva.
4. Pomocou dodaného 4 mm šesťhranného kľúča pripevnite spodný kryt k hriadelu nadstavca pomocou skrutky M5.
5. Pomocou šesťhranného kľúča pevne utiahnite dve predinštalované skrutky k spodnému krytu.

VAROVANIE: Pred uvedením zariadenia do prevádzky sa uistite, že tri skrutky sú pevne dotiahnuté. Počas používania pravidelne kontrolujte jeho dotiahnutie, aby nedošlo k vážnemu zraneniu.

PRIPOJENIE VERTIKUTÁTOROVÉHO NADSTAVCA K POHONNEJ HLAVE

Tento vertikutátorový nadstavec je navrhnutý na použitie s pohonnou hlavou EGO PH1400E/PH1420E/PHX1600.

Pozrite si časť „PRIPOJENIE NADSTAVCA NA POHONNÚ HLAVU“ v návode na obsluhu pohonnej hlavy PH1400E/PH1420E/PHX1600.

PREVÁDZKA

VAROVANIE: Nedovoľte, aby dlhodobá skúsenosť práce s týmto výrobkom spôsobila vašu neopatrnosť. Pamätajte na to, že aj chvíľková neopatrnosť stačí na to, aby spôsobila vážny úraz.

VAROVANIE: Vždy používajte ochranu očí. Ak tak neurobite, môže dôjsť k vymršteniu predmetov do očí a k ďalším možným vážnym zraneniam.

VAROVANIE: Aby nedošlo k vážnemu zraneniu, tak pred vykonávaním údržby, čistením, výmenou príslušenstva alebo odstraňovaním materiálu z výrobku vyberte akumulátor z výrobku.

VAROVANIE: Nepoužívajte žiadne doplnky alebo príslušenstvo, ak ho neodporúča výrobca uvedeného výrobku. Používanie doplnkov alebo príslušenstva, ktoré nie je odporúčané, môže viesť k vážnemu zraneniu osôb.

POUŽITIE

Odstáňte staré, vysušené odrezky, mach, trávu alebo zvyšky koreňov z trávniku.

SPUSTENIE/ZASTAVENIE VERTIKUTÁTORA

Pred použitím vertikutátora

VAROVANIE: Aby nedošlo k vážnemu zraneniu, noste okuliare alebo ochranné okuliare po celú dobu používania tohto výrobku. V prašnom prostredí používajte masku alebo masku proti prachu. Počas prevádzky noste

vhodný odev a obuv, aby ste znížili riziko poranenia, ktoré môžu spôsobiť vymrštené úlomky.

- Pred použitím výrobok dôkladne skontrolujte, či nie je poškodený. Výrobok nepoužívajte, ak je poškodený alebo opotrebovaný.
- Uistite sa, že na trávniku nie sú kamene, palice, drôty alebo iné predmety, ktoré by mohli poškodiť výrobok.
- Pred prácou trávnik pokoste a až potom prihnojte.

Prevádzkové rady

Aby na jar vyrástol zdravý trávnik, je potrebné, aby do okolia koreňov trávy prenikalo väčšie množstvo vzduchu. Odporúčame trávnik prevzdušniť aspoň dvakrát do roka, počas jari alebo jesene, a to v závislosti od stavu vášho trávniku.

- V záujme bezpečnosti nepoužívajte na svahoch so sklonom väčším ako 15 stupňov. Pracujte križom cez svah; nikdy nie smerom hore a dolu. Zvýšte opatrnosť pri zmene smeru na svahu.
- Nepracujte s týmto výrobkom na mokrom trávniku, pretože mokrá tráva má tendenciu sa prilepiť na palubu a hroty, čo môže spôsobiť pošmyknutie a pád.
- Výrobok vždy pevne držte oboma rukami. Rukoväte udržujte suché, aby ste výrobok mohli bezpečne držať.
- Pomaly tlačte výrobok dopredu. Pohybujte výrobkom primeranou rýchlosťou. Nehýbte s ním príliš rýchlo, aby sa hroty nezasekli a nespôsobili preťaženie motora.
- Ak do pracovného priestoru vstúpia iné osoby, výrobok okamžite vypnite. Pred položením výrobku na zem vždy počkajte, kým sa úplne nezastaví.
- Neprepracujte sa. Robte si pravidelné prestávky, aby ste sa mohli sústrediť na prácu a mať plnú kontrolu nad strojom.
- Pracujte v miere sa prekrývajúcich radoch. Najúčinnnejším vzorom sú rovné čiary pozdĺž jednej zo strán (obr. C). To udrží rady rovnomerné a zaisťí, že celý trávnik bude prevzdušnený tak, aby sa nevynechali žiadne miesta.
- Pri zmene smeru postupujte mimoriadne obozretne.
- Majte vždy pevný postoj. Pošmyknutie a pád môžu spôsobiť vážne zranenie osoby. Ak máte pocit, že strácate rovnováhu, okamžite vypnite motor.
- Nekoste v blízkosti zrázov, priekop alebo násypov; mohli by ste stratiť pevný postoj alebo rovnováhu.

Spustenie/zastavenie vertikutátorového nadstavca

Pozrite si časť „SPUSTENIE/ZASTAVENIE POHONNEJ HLAVY“ v návode na obsluhu pohonnej hlavy PH1400E/PH1420E/PHX1600.

SK

VAROVANIE: Zastavte stroj, ak je potrebné výrobok nakloniť kvôli preprave pri prechode cez iné povrchy ako je tráva a pri preprave výrobku do až oblasti, ktorá sa má použiť.

VAROVANIE: Pri zapínaní motora stroj nenakláňajte, s výnimkou prípadu, keď je potrebné stroj nakloniť na spustenie. V tom prípade ho nenakláňajte viac, než je nevyhnutné a zodvihnite iba časť, ktorá je ďalej od používateľa.

Skontrolujte, či nie sú hroty zablokované

- Aby ste predišli zablokovaniu, vyčistite spodnú stranu stroja pred a po každom použití, aby ste odstránili všetky nahromadené nečistoty.
- Ak dôjde k zablokovaniu, zastavte stroj a vyberte akumulátor, potom odstráňte všetky nánosy trávy a listia na alebo v okolí hrotov a podvozku. Poutierajte stroj dočista vlhkou handričkou.

NASTAVENIE HLĚBKY (obr. D)

VAROVANIE: Pri nastavovaní dĺžky udržiujte nohy mimo podvozku.

Hĺbku vertikutácie možno nastaviť na 3 polohy hĺbky:

- 1 a 2: prevádzková poloha
- 3: prepravná poloha

Hĺbku nastavte podľa potrieb svojho trávnik.

1. Vypnite stroj a počkajte, kým sa úplne nezastaví.
2. Vyberte akumulátor.
3. Vytiahnite páčku nastavenia hĺbky zo západky a nastavte ju do požadovanej polohy.

| | | | |
|-----|--------------------------|-----|--------------|
| D-1 | Páka na nastavenie hĺbky | D-2 | Poloha hĺbky |
|-----|--------------------------|-----|--------------|

ÚDRŽBA

VAROVANIE: Pred kontrolou, čistením alebo údržbou stroja zastavte motor, počkajte, kým sa všetky pohyblivé diely zastavia a vyberte akumulátor. Nedodržanie týchto pokynov môže viesť k vážnemu zraneniu alebo poškodeniu majetku.

VAROVANIE: Vždy používajte ochranné okuliare s bočnými štítmí. V opačnom prípade môže dôjsť k vymršteniu predmetov do očí a následnému vážnemu zraneniu.

VAROVANIE: Pri údržbe používajte iba originálne náhradné diely. Použitie iných častí môže vyvolať nebezpečenstvo, alebo spôsobiť poškodenie výrobku. Pre

zaistenie bezpečnosti a spoľahlivosti musí všetky opravy, okrem položiek uvedených v tomto návode na údržbu, vykonávať kvalifikovaný servisný technik.

VAROVANIE: Po náraze do cudzieho predmetu zastavte stroj a vyberte akumulátor, aby ste mali istotu, že sa všetky pohyblivé časti úplne zastavia. Potom skontrolujte stroj, či nie je poškodený a pred opätovným spustením a prevádzkou ho opravte.

VAROVANIE: Ak stroj začne neobvykle vibrovať, zastavte ho a vyberte z neho akumulátor, aby ste mali istotu, že sa všetky pohyblivé časti úplne zastavia. Potom ihneď skontrolujte, či nedošlo k poškodeniu. Vymeňte alebo opravte poškodené diely a skontrolujte a dotiahnite všetky uvoľnené diely.

VAROVANIE: Pri nastavovaní výrobku buďte opatrní, aby ste predišli privretiu prstov medzi pohyblivé a pevné časti výrobku.

ČISTENIE

VAROVANIE: Pri čistení vertikutátorového nadstavca ho NEPONÁRAJTE do vody ani iných kvapalín.

Na čistenie plastových dielov nepoužívajte rozpúšťadlá. Väčšina plastov je náchylná na poškodenie rôznymi typmi komerčných rozpúšťadiel a môžu sa poškodiť, ak sa rozpúšťadlá použijú. Použite čisté handry na odstránenie nečistôt, prachu, oleja, maziva atď.

MAZANIE

Všetky ložiská v tomto výrobku sú mazané dostatočným množstvom vysoko kvalitného maziva po celú dobu životnosti stroja za normálnych prevádzkových podmienok. Preto nie je potrebné žiadne ďalšie mazanie ložísk.

VÝMENA VALCA

VAROVANIE: Pred vykonaním akejkoľvek údržby vždy vyberte akumulátor zo stroja a počkajte, kým sa valec s hrotmi úplne nezastaví. Pri manipulácii s hrotmi noste ochranné rukavice.

Demontáž valca

1. Vyberte akumulátor z pohonnej hlavy.
2. Položte nadstavec hore nohami na rovný stabilný povrch.
3. Pomocou dodaného 5 mm šesťhranného kľúča uvoľnite a odstráňte dve zaisťovacie skrutky na ložiskovom sedle valca vertikutátora (obr. E1).
4. Zatláčte valec vertikutátora doľava, kým sa drážkový hriadeľ na pravom konci nevytiahne z drážkovaného náboja stroja (obr. E2).

5. Vyberte valec vertikútátora zo stroja (obr. E3).

| | | | |
|------|--------------------|------|---------------------|
| E1-1 | Ložiskové osadenie | E1-2 | Valec vertikútátora |
| E2-1 | Hriadeľ vretena | E2-2 | Náboj vretena |

Inštalácia nového valca

1. Umiestnite ložiskové sedlo nového valca na základňu stroja a zatlačte valec doľava až na doraz (obr. F1).
2. Zarovnajte a vložte klinový hriadeľ na pravej strane valca do drážkovaného náboja stroja (obr. F2).
3. Zarovnajte dva otvory na sedle ložiska s otvormi na základni, zaistite sedlo ložiska k základni pomocou zaistovacích skrutiek (obr. F3).

VÝMENA HRABĽOVÝCH HROTOV

Pri bežnom používaní sa môžu hrabľové hroty časom opotrebovať alebo zlomiť. Keď nastavovanie hĺbky hrotov už neposkytuje správnu mieru prevzdušnenia, prípadne dôjde k zlomeniu hrotu, vymeňte hroty podľa nižšie uvedeného postupu.

Demontáž hrotov

1. Vyberte akumulátor z pohonnej hlavy.
2. Položte nadstavec hore nohami na rovný stabilný povrch.
3. Zatlačte dva čapy hrabľových hrotov do štrbiny 1 na valci a siahnite hrabľový hrot z valca vertikútátora, ako je znázornené na obrázku G.

| | | | |
|-----|-----|-----|---------|
| G-1 | Čap | G-2 | Otvor 1 |
|-----|-----|-----|---------|

Inštalácia hrabľových hrotov (obr. H)

1. Vložte čap hrabľového hrotu do otvoru 1 vo valci (krok 1).
2. Vložte sedlo hrabľového hrotu do otvoru 2 na valci (krok 2).
3. Zaveďte dva čapy hrotu do otvoru 1, zatlačte dopredu do pozície v otvore 3 a dva čapy sa automaticky vrátia na miesto (krok 3 a 4).

| | | | |
|-----|---------|-----|---------|
| H-1 | Čap | H-2 | Otvor 1 |
| H-3 | Otvor 2 | H-4 | Otvor 3 |

PREPRAVA A SKLADOVANIE

- Vyberte akumulátor z pohonnej hlavy.
- Pred uskladnením nechajte výrobok vždy vychladnúť.
- Pred uskladnením výrobok dôkladne očistite.
- Výrobok skladujte na suchom a dobre vetranom uzamknutom alebo vyvýšenom mieste mimo dosahu detí. Výrobok neskladujte v blízkosti hnojív, benzínu alebo iných chemikálií.

OCHRANA ŽIVOTNÉHO PROSTREDIA



Nevyhadzujte elektrické zariadenia, nabíjačku a použité akumulátory do domového odpadu! Tento výrobok odneste na autorizované recyklačné miesto a poskytnite ho na separovaný zber. Elektrické stroje sa musia odovzdať do príslušného zariadenia na ekologicky šetrnú recykliáciu.

SK

ODSTRAŇOVANIE PORÚCH

| PROBLÉM | PRÍČINA | RIEŠENIE |
|-----------------------------------------------------------|---------------------------------------------------------------------------------------------------------------------------------------------------------------------------------------------------------------------------------|--------------------------------------------------------------------------------------------------------------------------------------------------------------------------------------------------------------------------------------------------------------------|
| Motor neštartuje. | <ul style="list-style-type: none"> ■ Akumulátor je vybitý. ■ Blokovacie tlačidlo alebo spúšťací spínač sa nepoužívajú správne. ■ Akumulátor nie je úplne zasunutý do priestoru pre akumulátor. | <ul style="list-style-type: none"> ■ Nabite akumulátor. ■ Postupujte podľa časti „SPUSTENIE/ ZASTAVENIE POHONNEJ HLAVY“ v návode k pohonnej hlave. ■ Skontrolujte, či je akumulátor úplne vložený do portu pre akumulátor. |
| Stroj vydáva neobvyklé zvuky. | <ul style="list-style-type: none"> ■ Nečistoty alebo cudzie predmety brániace hrotom stroja. | <ul style="list-style-type: none"> ■ Zastavte motor, vyberte akumulátor a odstráňte nečistoty alebo cudzie predmety, ktoré bránia správne fungovaniu stroja. |
| Stroj nefunguje správne alebo výsledky nie sú uspokojivé. | <ul style="list-style-type: none"> ■ Tráva je privysoká. | <ul style="list-style-type: none"> ■ Pred vertikutáciou trávnik pokoste. |
| | <ul style="list-style-type: none"> ■ Mokrú odrezku sú prilepené na spodnú stranu podvozku. | <ul style="list-style-type: none"> ■ Pred vertikutáciou nechajte trávnik vyschnúť. |
| | <ul style="list-style-type: none"> ■ Nesprávne nastavená hĺbka. | <ul style="list-style-type: none"> ■ Upravte hĺbku hrotov, aby ste dosiahli požadovaný výsledok. |
| | <ul style="list-style-type: none"> ■ Hroty sú opotrebované alebo poškodené. | <ul style="list-style-type: none"> ■ Hroty podľa potreby vymieňajte. |

SK

ZÁRUKA

ZÁRUČNÁ POLITIKA EGO

Úplné znenie záručných podmienok EGO nájdete na webovej stránke egopowerplus.eu.

OLVASSA EL AZ ÖSSZES UTASÍTÁST!



OLVASSA EL A HASZNÁLATI ÚTMUTATÓT

BIZTONSÁGI SZIMBÓLUMOK

A biztonsági szimbólumok célja, hogy felhívják a figyelmet az esetleges veszélyekre. Nagyon figyeljen a biztonsági szimbólumokra és magyarázatokra, ill. ezek megértésére. A szimbólumok figyelmeztetési önmagukban nem hárítják el a veszélyeket. Az utasítások és figyelmeztetések nem helyettesítik a megfelelő balesetmegelőző intézkedéseket.

▲ FIGYELMEZTETÉS: Használat előtt feltétlenül olvassa el és értse meg a jelen kezelési útmutatóban található valamennyi biztonsági utasítást, valamint a „VESZÉLY”, „FIGYELMEZTETÉS” és „FIGYELEM” biztonsági figyelmeztető szimbólumokat is. Az alább felsorolt utasítások be nem tartása áramütést, tűzveszélyt és/vagy súlyos személyi sérülést idézhet elő.

SZIMBÓLUM JELENTÉSE

▲ BIZTONSÁGI SZIMBÓLUM: VESZÉLY, FIGYELMEZTETÉS vagy **FIGYELEM** felhívást jelez. Más szimbólumokkal vagy rajzokkal együtt használható.



▲ FIGYELMEZTETÉS: Bármely gép használata azzal járhat, hogy idegen tárgyak kerülnek a szembe, ami súlyos szemsérülést okozhat. A gép használata előtt mindig vegyen fel oldalsó védőlemezzel ellátott védőszemüveget

és a teljes védőálarcot, ha szükséges. Javasoljuk, hogy viseljen Wide Vision Safety Mask-ot (védőálarc) a védőszemüveg fölött vagy standard védőszemüveget oldalsó védőlemezzel.

BIZTONSÁGI ELŐÍRÁSOK

Ezen az oldalon olyan biztonsági szimbólumok láthatók és olvashatók, amelyek megjelenhetnek a terméken. Az összeszerelés vagy működtetés előtt olvassa el, értse meg és tartsa be a gép minden utasítását.

| | | |
|--|--------------------------------------------------------------------------|-----------------------------------------------------------------------------------------------------------------------------------------------------|
| | Biztonsági figyelmeztetés | Potenciális személyi sérülés veszélyét jelzi. |
| | Olvassa el és értelmezze a használati útmutatót | A sérülések kockázatának csökkentése érdekében a használaton a termék használata előtt el kell olvasnia és meg kell értenie a használati útmutatót. |
| | Viseljen szemvédőt | Mindig viseljen védőszemüveget vagy oldalsó védőlemezzel ellátott védőszemüveget és teljes védőálarcot a termék működtetése közben. |
| | FIGYELMEZTETÉS – Ügyeljen a repülő tárgyakra; tartsa távol a nézelődőket | Felhívja a felhasználó figyelmét, hogy vigyázzon a repülő tárgyak miatt - tartsa távol a nézelődőket. |
| | VESZÉLY – Tartsa távol a kezét és a lábát | Felhívja a felhasználó figyelmét, hogy tartsa távol a kezét és a lábát. |
| | FIGYELMEZTETÉS - Tartsa távol a kezét és a lábát a fogaktól | Felhívja a felhasználó figyelmét, hogy tartsa távol a kezét és a lábát a fogaktól. |
| | CE | A termék megfelel az érvényes EK irányelveknek. |
| | UKCA | Ez a termék megfelel az Egyesült Királyság hatályos jogszabályainak. |
| | WEEE | Az elhasznált elektromos termékek nem helyezhetők a háztartási hulladékok közé. Vigye hivatalos újrahasznosító telephelyre. |

HU

| | | |
|-----------------------------------------------------------------------------------|-----------------------------------------|--------------------------------------------------------------------------------------------------------|
|  | Zaj | Garantált hangteljesítményszint. Környezetre ható zajkibocsátás az Európai Közösség irányelve szerint. |
| V | Volt | Feszültség |
|  | Egyenáram (DC) | Áram típusa vagy jellemzői |
| mm | Milliméter | Hossz vagy méret |
| kg | Kilogramm | Súly |
| perc | Perc | Idő |
| n_0 | Üresjárat fordulatszám | Forgási sebesség üresjáraton |
| Min^{-1} | Fordulatszám vagy váltakozás percenként | Fordulatszámok, löketek, felületi sebesség, pályák stb. percenként |
| RPM | Fordulat / perc | Fordulatszám |
| $^{\circ}\text{C}$ | Celsius fok | Hőmérséklet |

HU

▲ FIGYELMEZTETÉS: A biztonságosság és megbízhatóság biztosítása érdekében minden javítást szakképzett szerviztechnikusnak kell elvégeznie.

ÁLTALÁNOS BIZTONSÁGI FIGYELMEZTETÉSEK AZ AKKUMULÁTORRAL MŰKÖDŐ GÉPHEZ

▲ FIGYELMEZTETÉS: OLVASSA EL A GÉPHEZ MELLÉKELT ÖSSZES BIZTONSÁGI FIGYELMEZTETÉST, UTASÍTÁST, ILLUSZTRÁCIÓT ÉS SPECIFIKÁCIÓT. Az alább felsorolt utasítások be nem tartása áramütést, tűzveszélyt és/vagy súlyos sérülést idézhet elő.

ŐRIZZEN MEG MINDEN UTASÍTÁST ÉS FIGYELMEZTETÉST, HOGY KÉSŐBB IS ELŐ TUDJA MAJD VENNII.

A figyelmeztetéseken szereplő „szerszám” kifejezés az Ön hálózati (vezetékes) vagy akkumulátoros (vezeték nélküli) gépre vonatkozik.

MUNKATERÜLETI BIZTONSÁG

- **A munkaterület legyen tiszta és jól megvilágított.** A munkaterületen uralkodó rendetlenségnek vagy a rossz megvilágításnak baleset lehet a következménye.
- **Ne használja a szerszámot robbanásveszélyes környezetben, például olyan helyen, ahol éghető folyadékok, benzin vagy porok vannak jelen.** A szerszám szikrákat képez, amelyek meggyújthatják a port vagy gázt.
- **Tartsa távol a gyermekeket és a közelben tartózkodó személyeket, amikor a szerszámmal dolgozik.** Ha megzavarják, elveszítheti uralmát a készülék felett.

ELEKTROMOS BIZTONSÁG

- **A szerszám csatlakozóinak illeszkedniük kell az aljzathoz. Soha és semmiképpen se módosítsa a csatlakozódugót. Ne használjon adapteres csatlakozódugókat a (földelt) szerszámokhoz.** Az eredeti csatlakozódugó és megfelelő hálózati aljzat alkalmazásával megelőzi az áramütés veszélyét.
 - **Ne érjen földelt felületekhez, ilyenek pl. a csövek, fűtőtestek, tűzhelyek vagy hűtőszekrények.** Az áramütés kockázata nagyobb, ha a teste le van földelve.
 - **Ne működtesse a gépet esőben vagy nedves körülmények között.** Ez növelheti az áramütés kockázatát.
 - **Ne használja a kábelt helytelen módon. Soha ne a vezetéknel fogva hordozza, húzza, vagy válassza le a szerszámot. Tartsa távol a vezetékét hőtől, olajtól, éles szegélyektől és mozgó alkatrészekről.** A sérült vagy összegabalyodott hálózati kábelek megnövelik az áramütés veszélyét.
 - **A szerszám szabadtéri üzemeltetéséhez használjon szabadtéren használható hosszabbító kábelt.** A szabadtéren használható kábel alkalmazása csökkenti az áramütés kockázatát.
 - **Ha elkerülhetetlen, hogy a szerszámot nedves helyen használják, használjon földelő áramköri megszakítóval (GFCI) ellátott tápellátást.** A GFCI használata csökkenti az áramütés veszélyét.
- ## SZEMÉLYES BIZTONSÁG
- **Legyen éber, ügyeljen rá, mit csinál, és járjon el a józanul a szerszám használatában.** Ne használja a szerszámot, ha fáradtnak érzi magát, vagy ha kábítószert, alkoholt vagy gyógyszerek hatása alatt áll. A szerszámok üzemeltetése közben egy pillanatnyi figyelmetlenség is súlyos személyi sérülést okozhat.
 - **Használjon egyéni védőfelszerelést. Mindig viseljen védőszemüveget.** A védőfelszerelések – mint például porvédő maszk, csúszásmentes lábbeli, sisak és

hallásvédő – rendeltetészerű használata révén elkerüli a személyi sérüléseket.

- **Akadályozza meg a véletlen indítást. Ügyeljen arra, hogy a kapcsoló kikapcsolt állásban legyen, mielőtt az áramforráshoz és/vagy az akkumulátoregységhez csatlakoztatja, felveszi vagy viszi a szerszámot.** Balesethez vezethet, ha a hálózatra csatlakoztatott szerszámot úgy viszi, vagy a hálózati csatlakozódugót úgy csatlakoztatja az aljzathoz, hogy közben az ujjja a bekapcsoló gombon van.
- **A szerszám bekapcsolása előtt távolítson el minden beállító kulcsot vagy csavarkulcsot.** Személyi sérülést okozhat, ha a szerszámban felejtett csavarkulcs vagy beállító kulcs forgó alkatrészhez ér.
- **Ne hajoljon a készülék fölé. Vegyen fel stabil testhelyzetet, és mindig tartsa meg az egyensúlyát.** Ez lehetővé teszi a szerszám jobb irányítását váratlan helyzetekben.
- **Viseljen megfelelő ruházatot. Ne viseljen laza ruházatot vagy ékszereket. A haj és a ruházat ne érjen a mozgó részekhez.** A laza ruházatot, az ékszert vagy a hosszú hajat becsíphetik a mozgó alkatrészek.
- **Ha az elektromos szerszámot pórelszívó vagy porfelvágó eszközzel szerelik fel, akkor győződjön meg arról, hogy ezek előírászerűen vannak-e csatlakoztatva, és használja őket a rendeltetésüknek megfelelően.** Porgyűjtő használata csökkentheti a porral járó veszélyeket.
- **Ne hagyja, hogy a rendszeres használat során megszerzett tapasztalat miatt túl magabiztossá váljon, és emiatt figyelmen kívül hagyja a biztonsági irányelveket.** Egy óvatlan cselekedet a másodperc töredéke alatt súlyos sérülést okozhat.

A GÉP HASZNÁLATA ÉS GONDOZÁSA

- **Ne erőltesse a gépet. Használja az alkalmazásának megfelelő szerszámot.** A megfelelő szerszámmal jobban és biztonságosabban dolgozhat a megadott teljesítményhatárokon belül.
- **Ne használja a szerszámot, ha nem lehet a bekapcsoló gombbal be- vagy kikapcsolni.** Az olyan szerszám, amely nem irányítható a kapcsolóval, veszélyes és javításra szorul.
- **Húzza ki a hálózati csatlakozó dugót az aljzathoz és/ vagy, ha lehet, vegye ki az akkumulátoregységet az elektromos szerszámból, mielőtt beállításokat végezne, tartozékokat cserélné vagy az elektromos szerszámot elrakná.** A megelőző biztonsági óvintézkedések csökkentik a szerszám véletlen beindításának kockázatát.
- **A használaton kívüli szerszámot tartsa gyermekek**

elől elzár helyen, és ne engedje, hogy olyanok használják a szerszámot, akik nem ismerik a szerszámot vagy a jelen használati útmutatót. A szerszám veszélyt jelent, ha gyakorlatlan felhasználó kezébe kerül.

- **Gépek és tartozékok karbantartása. Ellenőrizze a mozgó alkatrészek beállítását és rögzítését, vizsgáljon meg minden alkatrészt, hogy nem sérült-e, és ellenőrizze, nem állnak-e fenn olyan körülmények, amelyek befolyásolhatják a szerszám működését.** Ha sérült, használat előtt javíttassa meg a szerszámot. A rosszul karbantartott szerszám sok balesetet okoz.
- **Tartsa a vágógépeket éles, tiszta állapotban.** A megfelelően karbantartott és megélezett vágóélekkel rendelkező vágószerszámok kevésbé hajlamosak az elgömbülésre, valamint könnyebben kezelhetők.
- **A szerszámot, tartozékokat és szerszámfejeket, stb. mindig a biztonsági utasításoknak megfelelően használja, figyelembe véve a munkakörülményeket és az elvégezni kívánt munkafolyamatot.** A szerszám rendeltetési céltól eltérő használata veszélyes helyzetet eredményezhet.
- **Tartsa szárazon, tisztán, olajtól és zsírtól mentesen a fogantyúkat és a tartófelületeket.** A csúszós fogantyúk és markolatok miatt a szerszám kezelése és vezérlése váratlan helyzetekben nem biztonságos.

AZ AKKUMULÁTOROS SZERSZÁM HASZNÁLATA ÉS GONDOZÁSA

- **Csak a gyártó által meghatározott töltőt használja.** Az olyan töltő, amely egy típusú akkumulátoregységhez alkalmas, tűzveszélyt okozhat, ha más típusú akkumulátoregységhez használja.
- **A készülékeket csak a kifejezetten hozzá készült akkumulátoregységekkel használja.** Bármely más akkumulátoregység használata sérülés- vagy tűzveszélyt okozhat.
- **Amikor nem használja az akkumulátoregységet, tartsa távol más fémtárgyaktól, például gemkapcsoktól, érméktől, kulcsoktól, szögegtől, csavaroktól vagy más kis fémtárgyaktól, amelyek kapcsolatba léphetnek vele.** Az akkumulátorok kapcsainak rövidzárlata égési sérülést vagy tüzet okozhat.
- **Nem megfelelő körülmények között folyadék szivároghat az akkumulátorból; ügyeljen rá, hogy ne kerüljön érintkezésbe vele. Amennyiben véletlenül hozzáérne, mossa le vízzel.** Ha ez a folyadék szembe kerül, forduljon orvoshoz. Az akkumulátorból kiszivárgó folyadék irritációt vagy égési sérülést okozhat.

HU

- **Ne használjon sérült, módosított akkumulátoregységet vagy szerszámot.** A sérült vagy módosított akkumulátorok előre nem látható módon viselkedhetnek, aminek eredménye tűz, robbanás vagy sérülésveszély lehet.
- **Ne tegye ki az akkumulátoregységet és a szerszámot tűznek vagy túl magas hőmérsékletnek.** Ha tűznek, vagy 130 °C feletti hőmérsékletnek teszi ki, akkor felrobbanhat.
- **Tartsa be a töltésre vonatkozó utasításokat, és ne töltse az akkumulátoregységet vagy a szerszámot az utasításokban meghatározott hőmérséklet-tartományon kívül.** A nem megfelelő vagy a meghatározott hőmérséklet-tartományon kívüli töltés károsíthatja az akkumulátort, és növeli a tűzveszélyt.
- **A gép működtetése közben mindig viseljen csúszásmentes munkavédelmi cipőt. Ne használja a gépet mezítláb és nyitott lábbeliben.** Így kisebb a lábsérülés esélye a mozgó fogakkal való érintkezés esetén.
- **A gép működtetése közben mindig viseljen hosszú nadrágot.** A fedetlen bőrt könnyebben felsértik a szétszóródó tárgyak.
- **Ne működtesse a gépet nedves fűben. Sétáljon, soha ne fusson.** Így kisebb a kockázata, hogy elcsúszik, elesik, és emiatt súlyosan megsérül.
- **Ne működtesse a gépet túl meredek lejtőkön.** Így kisebb eséllyel veszíti el az irányítást, és kevésbé valószínű, hogy elcsúszik, elesik és súlyosan megsérül.

SZERVIZ

- **A gépet szakképzett személlyel, eredeti cserealkatrész felhasználásával javíttassa meg.** Ezzel biztosítja a szerszám biztonságának fenntartását.
- **Soha ne szervizeljen sérült akkumulátoregységeket.** Az akkumulátoregységek szervizelését csak a gyártó vagy a felhatalmazott szerviz szolgáltató végezheti.

A GYEPSZELLŐZTETŐRE VONATKOZÓ

BIZTONSÁGI FIGYELMEZTETÉSEK

- **Ne használja a gépet kedvezőtlen időjárási körülmények között, különösen, ha fennáll a villámcsapás veszélye.** Ez megnöveli annak veszélyét, hogy eltalálja a villám.
- **Alaposan ellenőrizze a vadon élő állatok élőhelyeül szolgáló területeket, ahol a gépet használni kívánja.** A vadon élő állatok megsérülhetnek a működésben lévő gép miatt.
- **Alaposan vizsgálja meg a területet, ahol a gépet használni fogja és távolítson el minden követ, botot, vezetékét, csontot és minden egyéb idegen tárgyat.** A szétdobált tárgyak személyi sérülést okozhatnak.
- **A gép használata előtt mindig ellenőrizze szemrevételezéssel, hogy a vágó felület vagy a vágó szerelvény nem sérült-e.** A kopott és sérült alkatrészek növelik a sérülés kockázatát.
- **Tartsa a védőburkolatokat a helyükön.** A védőburkolatoknak működőképesnek kell lenniük, megfelelően felszerelt állapotban. A laza, sérült vagy nem megfelelően működő védőburkolat személyi sérülést okozhat.
- **Az összes hűtőlevegő-bemenet legyen mentes a szeméttől.** Az eltömődött levegőbemenetek és a lerakódások túlmelegedést vagy tűzveszélyt okozhatnak.
- **A gép működtetése közben mindig viseljen csúszásmentes munkavédelmi cipőt. Ne használja a gépet mezítláb és nyitott lábbeliben.** Így kisebb a lábsérülés esélye a mozgó fogakkal való érintkezés esetén.
- **A gép működtetése közben mindig viseljen hosszú nadrágot.** A fedetlen bőrt könnyebben felsértik a szétszóródó tárgyak.
- **Ne működtesse a gépet nedves fűben. Sétáljon, soha ne fusson.** Így kisebb a kockázata, hogy elcsúszik, elesik, és emiatt súlyosan megsérül.
- **Ne működtesse a gépet túl meredek lejtőkön.** Így kisebb eséllyel veszíti el az irányítást, és kevésbé valószínű, hogy elcsúszik, elesik és súlyosan megsérül.
- **Ha lejtőn dolgozik, mindig ügyeljen a stabil testhelyzetre, mindig a lejtőre merőlegesen dolgozzon, soha ne felfelé vagy lefelé, és fokozott óvatossággal járjon el az irányváltás során.** Így kisebb eséllyel veszíti el az irányítást, és kevésbé valószínű, hogy elcsúszik, elesik és súlyosan megsérül.
- **Legyen rendkívül óvatos, ha megfordítja vagy önmaga felé húzza a gépet. Mindig legyen tisztában a környezetével.** Ez csökkenti a veszélyét, hogy a működtetés közbeni megbotlik.
- **Csak a szigetelt fogófelületeknél fogva tartsa a gépet, mivel a fogak rejtett vezetőket érinthetnek.** A „feszültség alatti” vezetőekkel érintkező fogak „feszültség alá” helyezhetik a gép burkolat nélküli fémrészeit, és a gépkezelő áramütést szenvedhet.
- **Ne érintse meg a fogakat és a többi veszélyes mozgó alkatrészt, amíg azok még mozgásban vannak.** Ez csökkenti a mozgó alkatrészek által okozott sérülésének kockázatát.
- **Az elakadt anyag eltávolításakor vagy a gép tisztításakor győződjön meg arról, hogy az összes kapcsoló ki van kapcsolva, és az akkumulátoregység le van választva.** A gép váratlan működése súlyos személyi sérülést okozhat.

KIEGÉSZÍTŐ FIGYELMEZTETÉSEK

- Csak PH1400E/PH1420E/PHX1600 EGO motorfejjel használható.
MEGJEGYZÉS: A részletes biztonsági szabályok és üzemeltetési utasítások a PH1400E/PH1420E/PHX1600 EGO motorfej üzemeltetői kézikönyvében található.

ŐRIZZE MEG EZEKET AZ UTASÍTÁSOKAT!

HU

JELLEMZŐK

| | |
|-----------------------------------------------------------------------|------------------------------------------|
| Maximális üzemi szélesség | 355 mm |
| Üresjárat fordulatszám (PH1420E esetén) | Alacsony: 2600 RPM |
| | Magas: 3000 RPM |
| Mélységállítás | 3 pozíció |
| Gyepszellőztetés mélysége | 0/10 mm/20 mm |
| Javasolt üzemi hőmérséklet | 0°C – 40°C |
| Javasolt tárolási hőmérséklet | -20°C – 70°C |
| Mért hangteljesítményszint L_{WA} | 88 dB(A) K=2 dB(A) (PH1400E) |
| | 88,49 dB(A) K=0,81 dB(A) (PH1420E) |
| | 90 dB(A) K=0,9 dB(A) (PHX1600) |
| Hangnyomásszint a kezelő fülénél L_{PA} | 82 dB(A) K=3 dB(A) (PH1400E) |
| | 79,8 dB(A) K=3 dB(A) (PH1420E) |
| | 82 dB(A) K=3 dB(A) (PHX1600) |
| Garantált hangteljesítményszint L_{WA} (a 2000/14/EK szerint mérve) | 92 dB(A) |

| | | |
|-----------------------------------------|-----------------------|--------------------------------------------------------------|
| Vibráció értéke a_h | Elülső segédfo-gantyú | 2,35 m/s ² K=1,5 m/s ² (PH1400E) |
| | | 2,36 m/s ² K=1,5 m/s ² (PH1420E) |
| | | 2,63 m/s ² K=1,5 m/s ² (PHX1600) |
| | Rear handle | 2,66 m/s ² K=1,5 m/s ² (PH1400E) |
| | | 2,24 m/s ² K=1,5 m/s ² (PH1420E) |
| | | 1,74 m/s ² K=1,5 m/s ² (PHX1600) |
| Súly (gyepszellőztető hengerrel együtt) | 7,4 kg | |

- A fenti paraméterek tesztelése és mérése felszerelt PH1400E/PH1420E/PHX1600 motorfejjel történik;
- A névleges rezgési összérték mérése standard bevizsgálási módszerrel történt, és használatával a szerszámok egymással összehasonlíthatók.
- A névleges rezgési összérték a kockázat előzetes felméréséhez is felhasználható.

⚠ FIGYELMEZTETÉS: A rezgés-kibocsátás a gép aktuális használata közben eltérhet attól a névleges értéktől, amellyel a gépet használják: a kezelő védelme érdekében a felhasználónak kesztyűt és fülvédőt kell használnia a tényleges használati körülmények mellett.

⚠ FIGYELMEZTETÉS: A kezelő védelmét szolgáló biztonsági intézkedéseket a tényleges használati körülmények közötti kitettség becslése alapján kell azonosítani (figyelembe véve a működési ciklus minden részét, például azt az időt, amikor a gép ki van kapcsolva, vagy amikor a kioldási idő mellett üresjáratban jár).

LEÍRÁS

ISMERJE MEG A GYEPSZELLŐZTETŐT (A ábra)

1. Zárósapka (2)
2. Tartozék tengely
3. Alsó borítás
4. Kerék

HU

5. Felső burkolat egység
6. Mélységbeállító kar
7. Terelőlap-védő
8. Felszedőlap
9. 4 mm-es imbuszkulcs
10. 5 mm-es imbuszkulcs
11. Lazító fog
12. Gyepszellőztető henger

ÖSSZESZERELÉS

▲ FIGYELMEZTETÉS: Ha bármely alkatrész sérült vagy hiányzik, akkor addig ne használja a terméket, amíg az alkatrészt ki nem cseréli. Sérült vagy hiányzó alkatrészekkel történő használat súlyos személyi sérülést okozhat.

▲ FIGYELMEZTETÉS: Ne próbálja megváltoztatni a terméket, és ne készítsen hozzá tartozékokat, amelyek nem javasoltak ehhez a termékhez. Bármilyen módosítás vagy változtatás helytelen használatnak minősül, és veszélyes feltételeket teremthet, amely súlyos személyi sérüléssel végződhet.

A KAPCSOLÓTENGELY CSATLAKOZTATÁSA A GYEPSZELLŐZTETŐHÖZ (B ábra)

| | | | |
|-----|------------------|-----|--------------|
| B-1 | M5-ös csavar | B-4 | Nyílás |
| B-2 | Csavar | B-5 | Csavarfurat |
| B-3 | Tartozék tengely | B-6 | Alsó borítás |

1. Helyezze a gyepszellőztető egységet fejfel lefelé egy stabil, sík felületre.
2. Vegye le a sapkát a tartozék tengely elülső végéről.
3. A tartozék tengely furatával felfelé helyezze a tartozék tengelyt a tartozék alsó burkolatába, ameddig csak lehetséges. Illessze az alsó burkolat csavarnyílását a tartozék tengely furatához.
4. A tartozék 4 mm-es imbuszkulcs használatával rögzítse az alsó burkolatot a tartozék tengelyhez az M5 csavarral.
5. Az imbuszkulcs használatával szorosan húzza meg a két előre beszerelt csavart az alsó burkolaton.

▲ FIGYELMEZTETÉS: A gép működtetése előtt győződjön meg arról, hogy a három csavar teljesen meg van-e húzva; időnként ellenőrizze a feszességet használat közben a súlyos személyi sérülések elkerülése érdekében.

A GYEPSZELLŐZTETŐ TARTOZÉK RÖGZÍTÉSE A MOTORFEJRE

A gyepszellőztető tartozékokat a PH1400E/PH1420E/PHX1600 EGO motorfejhez tervezték.

Lásd a „TARTOZÉK CSATLAKOZTATÁSA A MOTORFEJHEZ” fejezetet a PH1400E/PH1420E/PHX1600 motorfej használati útmutatójában.

HASZNÁLAT

▲ FIGYELMEZTETÉS: Ügyeljen rá, nehogy a termékkel szerzett jártassága miatt óvatlanná váljon. Emlékezzon arra, hogy a másodperc töredéke alatt történő óvatlanság súlyos sérülést okozhat.

▲ FIGYELMEZTETÉS: Mindig viseljen védőszemüveget. Amennyiben nem ezt teszi, tárgyak repülhetnek a szemébe, és más komoly sérülések keletkezhetnek.

▲ FIGYELMEZTETÉS: A súlyos személyi sérülések elkerülése érdekében távolítsa el az akkumulátoregységet a termékből szervizelés, tisztítás, tartozékok cseréje vagy anyagok termékből való eltávolítása közben.

▲ FIGYELMEZTETÉS: Ne használjon a termék gyártója által nem javasolt tartozékokat. A nem javasolt tartozékok használata súlyos személyi sérüléseket okozhat.

ALKALMAZÁSOK

Távolítsa el a régi, megszáradt vágásokat, mohát, fűvet vagy gyökérmaradványokat a gyeptől.

A GYEPSZELLŐZTETŐ INDÍTÁSA/LEÁLLÍTÁSA

A gyepszellőztető használata előtt

▲ FIGYELMEZTETÉS: A súlyos személyi sérülések elkerülése érdekében mindig viseljen védőszemüveget a termék működtetésekor. Viseljen arc- vagy porvédő maszkot poros körülmények között. Használat közben viseljen megfelelő ruházatot és lábbelit, hogy csökkentse a repülő törmelék okozta sérülések kockázatát.

- Alaposan ellenőrizze a termék esetleges sérüléseit a használat előtt. Ne használja a terméket, ha sérült vagy kopás jeleit mutatja.
- Győződjön meg arról, hogy a gyeptel mentes kövektől, ágaktól, drótoktól vagy más olyan tárgyaktól, amelyek károsíthatják a terméket.
- Munkavégzés előtt nyírja le a fűvet, és utána trágyázza.

Használati tanácsok

Ahhoz, hogy tavasszal egészséges gyeptel fejeződjön,

nagyobb mennyiségű levegőnek kell bejutnia a fű gyökerei körüli területre. Javasoljuk, hogy a gypet évente legalább kétszer, tavasszal vagy ősszel, a gyp állapotától függően szellőztesse.

- Ne használja a gépet 15 foknál meredekebb lejtőkön. A lejtőkön mindig keresztirányban végezze a munkát, soha ne fel és le. Legyen különösen elővigyázatos, amikor irányt vált a lejtőn.
- Ne dolgozzon ezzel a termékkel nedves gypen, mert a nedves fű hajlamos a burkolathoz és a fogakhoz ragadni, ez csúszáshoz és eleséshez is vezethet.
- Tartsa a gépet két kézzel. Tartsa szárazon a fogantyúkat a biztonságos megtámasztás érdekében.
- Lassan tolja előre a gépet. Mozgassa a terméket megfelelő sebességgel. Ne mozgassa túl gyorsan, hogy megelőzze az elakadást és a motor túlterhelését.
- Azonnal kapcsolja ki a terméket, ha mások belépnek a munkaterületre. Mindig várja meg, amíg a termék teljesen meg nem áll, mielőtt leteszi.
- Ne erőltesse túl a gépet. Rendszeresen tartson szünetet, hogy biztosan tudjon a munkára összpontosítani, és teljes mértékben uralja a gépet.
- Enyhén egymást átfedő sorokban végezze a munkát. A leghatékonyabb munkavégzés egyenes vonalakban történik az egyik oldalon (C ábra). Ez biztosítja, hogy a sorok egyenletesek legyenek, és hogy a gyp minden részét szellőztesse anélkül, hogy bármilyen folt kimaradna.
- Különös figyelemre van szükség az irányváltáskor.
- Mindig ügyeljen rá, hova lép. A megcsúszás vagy elesés súlyos személyi sérülést okozhat. Ha úgy érzi, hogy elveszíti az egyensúlyát, azonnal kapcsolja ki a motort.
- Ne használja a gépet szakadékok, árkok vagy gátak közelében, elveszítheti az egyensúlyát vagy a testhelyzetét.

A gypszellőztető tartozék indítása/leállítása

Lásd „A MOTORFEJ INDÍTÁSA/LEÁLLÍTÁSA” című fejezetet a PH1400E/PH1420E/PHX1600 motorfej használati útmutatójában.

▲ FIGYELMEZTETÉS: Állítsa le a gépet, ha meg kell dönteni szállításhoz, amikor nem füves területen kell átvinni, és amikor a gépet a szellőztetni kívánt területre viszi vagy onnan elviszi.

▲ FIGYELMEZTETÉS: Ne döntse meg a gépet a motor bekapcsolásakor, kivéve, ha az indításhoz meg kell dönteni a gépet. Ebben az esetben, ne döntse meg jobban, mint amennyire szükséges, és csak a felhasználótól távolabb lévő részt emelje meg.

A fogak eltömődésének ellenőrzése

- Az eltömődés megelőzése érdekében tisztítsa meg a gép alsó részét minden használat előtt és után, hogy eltávolítsa az összegyűlt törmelékét.
- Eltömődés esetén állítsa le a fűnyírót, és vegye ki az akkumulátoregységet, majd távolítsa el a fogak és a burkolat körül összegyűlt fűvet és leveleket. Törölje tisztára a gépet egy nedves ruhával.

A MÉLYSÉG BEÁLLÍTÁSA (D ábra)

▲ FIGYELMEZTETÉS: Tartsa távol a lábát a burkolattól, amikor beállítja a magasságot.

A gypszellőztetés mélysége 3 mélységi pozícióra állítható:

1 és 2: működési pozíció

3: szállítási pozíció

Állítsa be a mélységet a gyp igényei szerint.

1. Kapcsolja ki a gépet, és várja meg, amíg a gép teljesen meg nem áll.
2. Vegye le az akkumulátoregységet.
3. Húzza ki mélységbeállító kart a mélyedésből, és állítsa a kívánt pozícióba.

| | | | |
|-----|---------------------|-----|------------------|
| D-1 | Mélységbeállító kar | D-2 | Mélységi pozíció |
|-----|---------------------|-----|------------------|

HU

KARBANTARTÁS

▲ FIGYELMEZTETÉS: A gép ellenőrzése, tisztítása vagy szervizelése előtt állítsa le a motort, várjon, amíg minden mozgó alkatrész le nem áll, és vegye ki az akkumulátoregységet. A jelen utasítások be nem tartása súlyos személyi sérülést vagy anyagi kárt eredményezhet.

▲ FIGYELMEZTETÉS: Mindig viseljen oldalsó védőlemezzel ellátott védőszemüveget. Amennyiben ezt elmulasztja, tárgyak repülhetnek a szemébe, súlyos sérülést okozva.

▲ FIGYELMEZTETÉS: Szervizeléskor csak azonos cserealkatrészeket használjon. Más alkatrészek használata veszélyt okozhat, vagy megrongálhatja a terméket. A biztonságosság és megbízhatóság biztosítása érdekében minden, a jelen karbantartási utasításokban nem szereplő javítást és cserét szakképzett szerviztechnikus hajtson végre.

▲ FIGYELMEZTETÉS: Ha idegen tárgynak ütközik, állítsa le a gépet, vegye ki az akkumulátoregységet, és győződjön meg arról, hogy minden mozgó alkatrész teljesen megállt. Ezután vizsgálja meg a gép esetleges sérüléseit, és végezze el a javításokat a gép újraindítása és használata előtt.

▲ FIGYELMEZTETÉS: Ha a gép elkezd rendellenes módon rezegni, állítsa le a gépet, vegye ki az akkumulátoregységet, és győződjön meg arról, hogy minden mozgó alkatrész teljesen megáll. Ezután azonnal ellenőrizze a sérüléseket, cserélje ki vagy javítsa meg a sérült alkatrészeket, és ellenőrizze, illetve húzza meg a laza alkatrészeket.

▲ FIGYELMEZTETÉS: Legyen óvatos a termék beállításánál, hogy az ujjai ne szoruljanak be a mozgó alkatrészek vagy rögzített részek közé.

TISZTÍTÁS

▲ FIGYELMEZTETÉS: A gypszelező tartozék tisztításakor NE merítse vízbe vagy más folyadékba.

A műanyag alkatrészek tisztításához ne használjon oldószereket. A legtöbb műanyag különböző vegyi oldószerek hatására károsodik, ezek megrongálhatják őket. Használjon tiszta ruhát a szennyeződés, por, olaj, zsír, stb. eltávolításához.

KENÉS

A termék összes csapágója kiváló minőségű kenőanyaggal van kezelve, kellő mennyiségben ahhoz, hogy elegendő legyen a készülék teljes élettartamára normál üzemi körülmények közötti használat esetén. Ezért a csapágy további kenése nem szükséges.

A HENGER CSERÉJE

▲ FIGYELMEZTETÉS: Mielőtt bármilyen karbantartást végezne, mindig távolítsa el az akkumulátoregységet a gépből, és várjon, amíg a fogas henger teljesen meg nem áll. A fogak kezelésénél mindig viseljen védőkesztyűt.

A henger eltávolítása

1. Vegye ki az akkumulátoregységet a motorblokkból.
2. Helyezze a tartozékot fejjel lefelé egy sík, stabil felületre.
3. Használja a tartozék 5 mm-es imbuszkulcsot a két zárócsavar megmozdításához és eltávolításához a gypszelező hengerének csapágyülékén ((E1 ábra).
4. Addig húzza balra a gypszelező hengert, amíg a jobb végen található bordás tengely ki nem jön a gép bordás agyából (E2 ábra).
5. Távolítsa el a gypszelező hengert a gépből. (E3 ábra).

| | | | |
|------|--------------|------|-------------------|
| E1-1 | Csapágyülék | E1-2 | Gypszelező henger |
| E2-1 | Orsó tengely | E2-2 | Orsó agy |

A új henger beszerelése

1. Helyezze az új henger csapágyülékét a gép talpára, és tolja a hengert balra, ameddig csak tudja (F1 ábra).
2. Igazítsa és helyezze be a bordás tengelyt a henger jobb oldalán a gép bordás agyába (F2 ábra).
3. Igazítsa a két lyukat a csapágyülésen az alap lyukaihoz, rögzítse a csapágyülést az alaphoz a zárócsavarokkal (F3. ábra).

A LAZÍTÓ FOGAK CSERÉJE

Normál használat mellett a lazító fogak idővel elkophatnak vagy eltörhetnek. Ha a fogmélység beállítása már nem adja meg a megfelelő mértékű gypszelezést, vagy ha egy fog eltörik, kövesse az alábbi lépéseket a fogak cseréjéhez.

A fog eltávolítása

1. Vegye ki az akkumulátoregységet a motorblokkból.
2. Helyezze a tartozékot fejjel lefelé egy sík, stabil felületre.
3. Nyomja a lazító fog két csapját a 1-es nyílásba a hengeren, és húzza le a lazító fogat a gypszelező hengerről, ahogy az a G ábrán látható.

| | | | |
|-----|------|-----|-----------|
| G-1 | Csap | G-2 | 1. nyílás |
|-----|------|-----|-----------|

A lazító fog felszerelése (H ábra)

1. Helyezze a lazító fog csapját az 1-es nyílásba a hengeren (1. lépés).
2. Helyezze a lazító fog ülését a 2-es nyílásba a hengeren (2. lépés).
3. Vezesse a fog két csapját az 1-es nyílásba, nyomja előre a 3-as nyílás pozíciójába, és a két csap automatikusan visszapattna helyére (3. és 4. lépés).

| | | | |
|-----|-----------|-----|-----------|
| H-1 | Csap | H-2 | 1. nyílás |
| H-3 | 2. nyílás | H-4 | 3. nyílás |

SZÁLLÍTÁS ÉS TÁROLÁS

- Vegye ki az akkumulátoregységet a motorblokkból.
- Tárolás előtt mindig hagyja a terméket lehűlni.
- Tárolás előtt alaposan tisztítsa meg a terméket.
- A terméket száraz, jól szellőző, elzárt vagy magas helyen tárolja, ahol gyermekek nem érik el. Ne tárolja a terméket trágya, benzin vagy más vegyszerek mellett.

KÖRNYEZETVÉDELEM



Ne dobja az elektromos felszerelést, az elhasznált akkumulátort és a töltőt a háztartási hulladékok közé! Vigye hivatalos újrahasznosító telephelyre, és tegye hozzáférhetővé a szelektív gyűjtéshez. Az elektromos eszközöket a megfelelő, környezetbarát újrahasznosító üzembe kell visszavinni.

HIBAEHÁRÍTÁS

| PROBLÉMA | OK | MEGOLDÁS |
|--------------------------------------------------------------------|---------------------------------------------------------------------------------------------------------------------------------------------------------------------------------------------------------------------------------------------------|----------------------------------------------------------------------------------------------------------------------------------------------------------------------------------------------------------------------------------------------------------------------------------------------------|
| A motor nem indul el | <ul style="list-style-type: none"> ■ Az akkumulátoregység lemerült. ■ A reteszelőgombot vagy az indítógombot nem megfelelően használják. ■ Az akkumulátoregység nincs teljesen behelyezve az akkumulátortartóba. | <ul style="list-style-type: none"> ■ Töltse fel az akkumulátoregységet. ■ Kövesse a motorfej kézikönyvben szereplő „A MOTORFEJ INDÍTÁSA/ LEÁLLÍTÁSA” fejezetet. ■ Ellenőrizze, hogy az akkumulátoregység teljesen be van-e helyezve az akkumulátortartóba. |
| A gép rendellenes zajokat ad. | <ul style="list-style-type: none"> ■ Törmelék vagy idegen tárgy, amely akadályozza a gép fogait. | <ul style="list-style-type: none"> ■ Állítsa le a motort, távolítsa el az akkumulátoregységet, és távolítsa el a gép megfelelő működését megakadályozó törmelékét vagy idegen tárgyakat. |
| A gép nem működik megfelelően, vagy az eredmények nem kielégítőek. | <ul style="list-style-type: none"> ■ A fű túl magas. | <ul style="list-style-type: none"> ■ Nyírja le a fűvet gyepszellőztetés előtt. |
| | <ul style="list-style-type: none"> ■ Nedves törmelék ragadt a burkolat aljára. | <ul style="list-style-type: none"> ■ Gyepszellőztetés előtt várjon, amíg a fű meg nem szárad. |
| | <ul style="list-style-type: none"> ■ A mélység rosszul van beállítva. | <ul style="list-style-type: none"> ■ Állítsa be a fogak mélységét a kívánt eredmény eléréséhez. |
| | <ul style="list-style-type: none"> ■ Kopott vagy sérült fogak. | <ul style="list-style-type: none"> ■ Cserélje ki a fogakat szükség szerint. |

HU

GARANCIA

EGO GARANCIÁLIS FELTÉTELEK

Kérjük, látogasson el az egopowerplus.eu oldalra, ahol megtalálja a részletes EGO garanciális feltételeket.

CITIȚI TOATE INSTRUCȚIUNILE!



CITIȚI MANUALUL DE INSTRUCȚIUNI

SIMBOLURI PRIVIND SIGURANȚA

Scopul simbolurilor privind siguranța este să vă atragă atenția asupra pericolelor posibile. Simbolurile privind siguranța și explicațiile furnizate cu acestea merită atenția și înțelegerea dumneavoastră. Avertizările simbolurilor nu elimină, prin ele însele, niciun pericol. Instrucțiunile și avertizările pe care le oferă acestea nu pot înlocui măsurile adecvate de prevenire a accidentelor.

⚠️ AVERTISMENT: Asigurați-vă că ați citit și înțelegeți toate instrucțiunile privind siguranța din acest Manual de utilizare, inclusiv toate simbolurile de alertă privind siguranța precum "PERICOL", "AVERTISMENT" și "ATENȚIE" înainte de a utiliza această mașină. Nerespectarea tuturor instrucțiunilor enumerate mai jos poate duce la electrocutare, incendiu și/sau vătămări corporale grave.

SEMNIȚAȚIA SIMBOLURILOR

⚠️ SIMBOL DE AVERTIZARE PRIVIND SIGURANȚA: Indică PERICOL, AVERTIZARE, SAU ATENȚIE. Poate fi utilizat împreună cu alte simboluri sau pictograme.



⚠️ AVERTISMENT: Exploatarea oricăror mașini se poate solda cu ricoșarea de obiecte străine în ochii dumneavoastră, ceea ce se poate solda cu vătămarea gravă a ochilor. Înainte de a începe să utilizați scula mașini,

echipați-vă întotdeauna cu ochelari de protecție cu apărători laterale și vizieră pentru față, atunci când este nevoie. Vă recomandăm să purtați o vizieră lată de protecție peste ochelarii de vedere sau ochelari de protecție standard cu apărători laterale.

INSTRUCȚIUNI PRIVIND SIGURANȚA

Această pagină descrie simbolurile de siguranță ce pot apărea pe acest produs. Citiți, înțelegeți și respectați toate instrucțiunile de pe mașină înainte de a o asambla și de a o utiliza.

| | | |
|--|-------------------------------------------------------------------------------|------------------------------------------------------------------------------------------------------------------------------------------------------|
| | Alertă privind siguranța | Indică un risc posibil de vătămare corporală. |
| | Citiți și înțelegeți manualul de instrucțiuni | Pentru a reduce riscul de vătămare, utilizatorul trebuie să citească și să înțeleagă manualul de instrucțiuni înainte de a utiliza acest produs. |
| | Purtați echipament de protecție oculară | Purtați întotdeauna ochelari de protecție sau ochelari de protecție cu apărători laterale și o vizieră facială completă când utilizați acest produs. |
| | AVERTISMENT - Feriți-vă de obiectele aruncate - țineți trecătorii la distanță | Avertizează utilizatorul să se ferească de obiectele aruncate - țineți trecătorii la distanță. |
| | PERICOL - Țineți mâinile și picioarele la distanță | Avertizează utilizatorii să țină mâinile și picioarele la distanță. |
| | AVERTISMENT - Țineți mâinile și picioarele departe de lame | Avertizează utilizatorul să țină mâinile și picioarele departe de lame. |
| | CE | Acest produs este în conformitate cu directivele europene aplicabile. |
| | UKCA | Acest produs este în conformitate cu legislația aplicabilă din Marea Britanie. |
| | DEEE | Deșeurile produselor electrice nu trebuie să fie eliminate împreună cu deșeurile menajere. Predați-le unui punct de reciclare autorizat. |

RO

| | | |
|-----------------------------------------------------------------------------------|--------------------------------------|-----------------------------------------------------------------------------------------------------------------|
|  | Zgomot | Nivel de putere acustică garantat. Emisii sonore în mediul înconjurător conform Directivei comunitare europene. |
| V | Volt | Tensiune |
|  | Curent continuu (DC) | Tip sau o caracteristică de curent |
| mm | Milimetru | Lungime sau dimensiune |
| kg | Kilograme | Greutate |
| min | Minute | Durată |
| n ₀ | Turație de mers în gol | Turație de mers în gol, fără sarcina |
| Min ⁻¹ | Revoluții sau reciprocitate pe minut | Revoluții, curse, viteza suprafeței, orbite etc. pe minut |
| RPM | rotații pe minut | Viteza de rotație |
| °C | Grade Celsius | Temperatură |

RO

⚠️ AVERTISMENT: Pentru siguranța și fiabilitatea produsului, toate reparațiile trebuie efectuate de către un tehnician de service autorizat.

AVERTISMENTE GENERALE PRIVIND SIGURANȚA MAȘINII ACȚIONATE CU BATERII

⚠️ AVERTISMENT: CITIȚI TOATE AVERTISMENTELE DE SIGURANȚĂ, INSTRUȚIUNILE, ILUSTRĂȚIILE ȘI SPECIFICAȚIILE FURNIZATE ÎMPREUNĂ CU ACEST APARAT. Nerespectarea tuturor instrucțiunilor enumerate mai jos se poate solda cu șoc electric, incendiu și/sau vătămare corporală gravă.

PĂSTRAȚI TOATE AVERTISMENTELE ȘI INSTRUȚIUNILE PENTRU CONSULTARE ULTERIOARĂ.

Termenul "mașină" din avertizări se referă la mașina dumneavoastră electrică (cu cablu) alimentată de la rețeaua electrică sau mașina (fără cablu de alimentare) care funcționează cu acumulator.

SIGURANȚA ZONEI DE LUCRU

- **Păstrați zona de lucru curată și bine iluminată.** Zonele aglomerate sau întunecate invită accidente.
- **Nu utilizați utilajele în atmosfere explozive, cum ar fi în prezența lichidelor inflamabile, a benzinei sau a prafului.** Mașinile creează scântei, care pot aprinde praful sau gazele.
- **Țineți copiii și persoanele prezente la distanță atunci când utilizați o mașină.** Distragerea atenției vă poate face să pierdeți controlul.

SIGURANȚA ELECTRICĂ

- **Ștecherile mașinilor trebuie să corespundă cu priza electrică. Nu modificați niciodată ștecherul în vreun fel. Nu utilizați ștechere adaptoare de priză cu mașinile echipate cu împământare.** Ștecherile nemodificate și prizele adecvate vor reduce riscul de electrocutare.
- **Evitați contactul corpului cu suprafețele legate la împământare, cum sunt țevile, caloriferele, mașinile de gătit și frigiderele.** Există un risc crescut de șoc electric dacă corpul dumneavoastră este legat la pământ sau împământat.
- **Nu utilizați sculă în condiții de ploaie sau umezeală.** Acest lucru poate crește riscul de electrocutare.
- **Nu folosiți în mod abuziv cablul de alimentare.** Nu utilizați niciodată cablul de alimentare pentru transportul, tragerea sau scoaterea din priză a mașinii. Țineți cablul departe de căldură, ulei, margini ascuțite sau piese în mișcare. Cablurile electrice deteriorate sau încălțite cresc riscul de electrocutare.
- **Când utilizați o mașină în aer liber utilizați un cablu prelungitor adecvat pentru utilizarea în aer liber.** Utilizarea unui cablu adecvat pentru utilizare în exterior reduce riscul de șoc electric.
- **În cazul în care este inevitabilă utilizarea unei mașini într-o locație umedă, utilizați o sursa cu întrerupător de circuit cu împământare (GFCI).** Utilizarea unui întrerupător GFCI reduce riscul de electrocutare.

SIGURANȚA PERSONALĂ

- **Păstrați-vă vigilența, urmăriți ceea ce faceți și apelați la bunul simț când utilizați o mașină. Nu utilizați o mașină când sunteți obosit(ă), sau sub influența medicamentelor, a alcoolului ori a medicației.** Un moment de neatenție în timp ce utilizați mașini se poate solda cu vătămări grave.
- **Utilizați echipamente individuale de protecție. Purtați întotdeauna echipament de protecție**

oculară. Echipamentele de protecție, cum ar fi masca de praf, bocancii de protecție antiderapanți, casca sau antifoanele utilizate în condiții corespunzătoare, vor reduce vătămările corporale.

- **Preveniți pornirea accidentală. Asigurați-vă că întrerupătorul este în poziția oprit înainte de a conecta mașina la o sursă de alimentare și/sau set de acumulatori, înainte de a ridica sau de a transporta mașina.** Transportul mașinilor cu degetul pe întrerupător sau acționarea mașinilor alimentate electric, predisune la accidente.
- **Îndepărtați orice cheie de reglare sau cheie fixă înainte de a porni mașina.** O cheie lăsată într-o piesă rotativă a mașinii poate duce la vătămări.
- **Nu încercați să ajungeți în locuri inaccesibile. Păstrați-vă stabilitatea și echilibrul în orice moment.** Astfel veți avea un control mai bun asupra mașinii în situații neașteptate.
- **Îmbrăcați-vă corespunzător. Nu purtați haine largi sau bijuterii. Păstrați-vă părul și îmbrăcămintea departe de componentele în mișcare.** Îmbrăcămintea largă, bijuteriile sau părul lung pot fi prinse de piesele în mișcare.
- **Dacă sunt furnizate dispozitive pentru conectarea sistemelor de extragere și colectare a prafului, asigurați-vă că acestea sunt conectate și utilizate corespunzător.** Utilizarea dispozitivelor de colectare a prafului poate reduce pericolul legat de praf.
- **Nu lăsați ca familiaritatea dobândită în urma utilizării frecvente a utilajelor să vă permită să vă complaceți și să ignorați principiile de siguranță ale utilajelor.** O operație neglijentă poate cauza vătămări grave într-o fracțiune de secundă.

UTILIZAREA ȘI ÎNGRIJIREA MAȘINII

- **Nu forțați mașina. Utilizați mașina potrivită pentru aplicația dumneavoastră.** Mașina corectă va face o treabă mai bună și mai sigură când este utilizată conform specificațiilor pentru care a fost concepută.
- **Nu utilizați mașina dacă întrerupătorul nu comută pe pozițiile pornit și oprit.** Orice mașină care nu poate fi controlată cu întrerupătorul este periculoasă și trebuie reparată.
- **Deconectați ștecherul de la sursa de alimentare și/sau scoateți setul de acumulatori, dacă este detașabil, de la mașină înainte de a efectua ajustări, de a schimba accesoriile sau de a depozita mașinile.** Astfel de măsuri preventive reduc riscul de pornire accidentală a mașinii.
- **Păstrați mașinile inactive într-un loc inaccesibil copiilor și nu permiteți persoanelor care nu sunt**

familiarizate cu mașina sau cu aceste instrucțiuni să opereze mașina. Mașinile sunt periculoase în mâinile utilizatorilor neinstruiți.

- **Întrețineți mașina și accesoriile. Verificați dacă există abateri de la coaxialitate sau gripări ale pieselor în mișcare, avarii ale pieselor și orice altă situație care poate afecta funcționarea mașinii.** Dacă este deteriorată, reparați mașina înainte de utilizare. Multe accidente sunt cauzate de mașini prost întreținute.
- **Păstrați mașinile de tăiat ascuțite și curate.** Mașinile așchietoare întreținute corespunzător și cu muchii de tăiere ascuțite riscă mai puțin să se îndoie și sunt mai ușor de controlat.
- **Utilizați mașina, accesoriile și burghiile de mașină etc. în conformitate cu aceste instrucțiuni, ținând cont de condițiile de lucru și lucrarea de efectuat.** Utilizarea mașinii pentru operații diferite de cele intenționate s-ar putea solda cu o situație periculoasă.
- **Mențineți mânerul și suprafețele de apucat uscate, curate și fără ulei și vaselină.** Mânerul și suprafețele de apucare alunecoase nu permit manevrarea în siguranță și controlul asupra mașinii în situații neașteptate.

UTILIZAREA ȘI ÎNGRIJIREA MAȘINILOR CU BATERIE

- **Reîncărcați numai cu încărcătorul specificat de producător.** Un încărcător adecvat pentru un tip de set de acumulatori poate prezenta risc de incendiu dacă este utilizat cu alt set de acumulatori.
- **Utilizați mașinile numai cu seturile de acumulatori special menționate.** Utilizarea oricăru alt set de acumulatori prezintă risc de accidente și incendiu.
- **Când nu se utilizează setul de acumulatori, țineți-l departe de alte obiecte metalice precum clamele de hârtie, monedele, cheile, cuiele, șuruburile sau alte obiecte metalice mici care pot realiza o conexiune între borne.** Scurtcircuitarea bornelor bateriei poate produce arsuri sau un incendiu.
- **În condiții abuzive se poate scurge lichid din baterie; evitați contactul. Dacă are loc contact accidental, clătiți cu apă.** Dacă lichidul intră în contact cu ochii, efectuați suplimentar un consult medical. Lichidul scurs din baterie poate produce iritații sau arsuri.
- **Nu utilizați un set de acumulatori sau o mașină deteriorată ori modificată.** Bateriile deteriorate sau modificate pot prezenta comportament impredictibil, care poate duce la incendiu, explozie sau risc de vătămare.
- **Nu expuneți setul de acumulatori la foc sau mașina**

RO

la temperaturi excesive. Expunerea la foc sau la temperaturi de peste 130°C poate provoca explozie.

- **Respectați instrucțiunile de încărcare și nu încărcați setul de acumulatori sau mașina în afara intervalului de temperatură specificat în instrucțiuni.** Încărcarea necorespunzătoare sau la temperaturi în afara domeniului specificat poate duce la deteriorarea bateriei și la creșterea riscului de incendiu.

SERVICE

- **Duceți mașina electrică la depanat pentru a fi reparată de o persoană calificată utilizând numai piese de schimb identice.** Acest lucru va asigura menținerea siguranței mașinii.
- **Nu efectuați niciodată operații de service asupra seturilor de acumulatori deteriorați.** Depanarea acumulatorilor trebuie să fie efectuată numai de producător sau de prestatorii autorizați de servicii.

AVERTISMENTE DE SIGURANȚĂ PENTRU MOTOSAPĂ

- **Nu folosiți mașina în condiții meteorologice nefavorabile, mai ales atunci când există riscul de fulgere.** Acest lucru scade riscul de a fi lovit de fulgere.
- **Inspectați cu atenție zona pentru animale sălbatice în care va fi utilizată scula.** Animalele sălbatice poate fi rănită de sculă în timpul funcționării.
- **Inspectați cu atenție zona în care urmează a fi utilizată scula pentru a îndepărta toate pietrele, bețele, oasele și alte obiecte străine.** Obiectele aruncate în aer ar putea cauza răni grave.
- **Înainte de a utiliza mașina, verificați întotdeauna vizual pentru a vă asigura că lamele și ansamblul lamelor nu sunt deteriorate.** Piesele deteriorate sau utilizate cresc riscul de rănire.
- **Țineți apărătorile în poziție. Apărătorile trebuie să fie în stare de funcționare și să fie montate corespunzător.** O apărătoare care este slăbită, deteriorată sau nu funcționează corect poate duce la vătămări corporale.
- **Păstrați toate prizele de răcire cu aer neobstrucționate de resturi.** Orificiile de admisie aer blocate și reziduurile pot duce la supraîncălzire sau risc de incendiu.
- **În timpul utilizării sculei, purtați întotdeauna încălțăminte anti-alunecare și de protecție. Nu utilizați mașina dacă sunteți desculț(ă) sau purtați sandale cu deschidere.** Acest lucru reduce șansele de rănire a picioarelor la contactul cu lamele în mișcare.

- **În timpul utilizării sculei, purtați întotdeauna pantaloni lungi.** Pielea expusă crește probabilitatea de rănire din cauza obiectelor aruncate.
- **Nu folosiți mașina în iarbă umedă. Mergeți, nu alergați niciodată.** Acest lucru reduce riscul alunecării și căderii, ceea ce poate duce la vătămări corporale.
- **Nu utilizați scula pe pante excesiv de abrupte.** Acest lucru reduce riscul pierderii controlului, alunecării și căderii, ceea ce poate duce la vătămări corporale.
- **Când lucrați pe pante, asigurați-vă întotdeauna de poziție, lucrați întotdeauna peste fața pantelor, niciodată în sus sau în jos și fiți extrem de precauți când schimbați direcția.** Acest lucru reduce riscul pierderii controlului, alunecării și căderii, ceea ce poate duce la vătămări corporale.
- **Fiți foarte atent când schimbați sensul sau când trageți mașina către dumneavoastră. Fiți mereu conștient de împrejurimi.** Acest lucru reduce riscul de împiedecare în timpul funcționării.
- **Țineți mașina numai de suprafețele de prindere izolate, deoarece lamele pot intra în contact cu cabluri ascunse.** Lamele care intră în contact cu un fir „sub tensiune” pot face ca părțile metalice expuse ale mașinii să fie „sub tensiune” și ar putea provoca un șoc electric operatorului.
- **Nu atingeți lamele și alte părți mobile periculoase în timp ce acestea sunt încă în mișcare.** Acest lucru reduce riscul de rănire din cauza pieselor mobile.
- **Atunci când îndepărtați materialul blocat sau curățați mașina, asigurați-vă că toate comutatoarele de alimentare sunt oprite și că acumulatorul este deconectat.** Funcționarea neașteptată a mașinii poate duce la vătămări corporale grave.

AVERTISMENTE SUPLIMENTARE

- Utilizați numai cu EGO Power Head PH1400E/PH1420E/PHX1600.
NOTĂ: Consultați manualul de utilizare al EGO Power Head PH1400E/PH1420E/PHX1600 pentru regulile de siguranță detaliate și instrucțiunile de utilizare.

PĂSTRAȚI ACESTE INSTRUCȚIUNI

SPECIFICAȚII

| | |
|-------------------------------------------------------------------------------------|------------------------------------------|
| Lățime maximă de lucru | 355 mm |
| Viteză fără sarcină (cu PH1420E) | Joasă: 2600 RPM |
| | Ridicată: 3000 RPM |
| Reglarea adâncimii | 3 poziții |
| Adâncimea de îndepărtare a resturilor vegetale | 0 / 10 mm / 20 mm |
| Temperatură de funcționare recomandată | 0°C – 40°C |
| Temperatură de depozitare recomandată | -20°C – 70°C |
| Nivel de putere acustică măsurat L_{WA} | 88 dB(A) K=2 dB(A) (PH1400E) |
| | 88.49 dB(A) K=0.81 dB(A) (PH1420E) |
| | 90 dB(A) K=0.9 dB(A) (PHX1600) |
| Nivel de presiune acustică la urechea operatorului L_{PA} | 82 dB(A) K=3 dB(A) (PH1400E) |
| | 79.8 dB(A) K=3 dB(A) (PH1420E) |
| | 82 dB(A) K=3 dB(A) (PHX1600) |
| Nivel de putere sonoră garantat L_{WA} (măsurat în conformitate cu 2000/14/CE) | 92 dB(A) |

| | | |
|-------------------------------------------------------------|----------------------------|--------------------------------------------------------------|
| Valoarea vibrațiilor a_n | Mâner frontal de susținere | 2.35 m/s ² K=1,5 m/s ² (PH1400E) |
| | | 2.36 m/s ² K=1,5 m/s ² (PH1420E) |
| | | 2.63 m/s ² K=1,5 m/s ² (PHX1600) |
| | Rear handle | 2.66 m/s ² K=1,5 m/s ² (PH1400E) |
| | | 2.24 m/s ² K=1,5 m/s ² (PH1420E) |
| | | 1.74 m/s ² K=1,5 m/s ² (PHX1600) |
| Greutate (cu cilindru de îndepărtare a resturilor vegetale) | 7,4 kg | |

- Parametrii de mai sus sunt testați și măsurați cu capul de putere PH1400E/PH1420E/PHX1600.
- Valoarea totală a vibrațiilor declarată a fost măsurată în conformitate cu o metodă de încercare standard și poate fi utilizată pentru a compara o nealtă cu alta.
- Valoarea totală declarată poate fi utilizată în evaluarea preliminară a expunerii.

⚠️ AVERTISMENT: Vibrațiile emise în timpul utilizării efective a mașini electrice pot diferi față de valoarea celor declarate pentru scula utilizată; Pentru protejarea operatorului, utilizatorul trebuie să poarte mănuși și protecții auditive în timpul utilizării efective a produsului.

⚠️ AVERTISMENT: Necesitatea de a identifica măsuri de siguranță pentru protecția operatorului, bazate pe o estimare a expunerii în condițiile reale de utilizare (luând în considerare toate părțile ciclului de funcționare, cum ar fi momentele în care mașina este oprită și în care funcționează în gol, în plus față de timpul de declanșare).

DESCRIEREA

CUNOAȘTEȚI-VĂ ATAȘAMENT PENTRU ÎNDEPĂRTAREA RESTURILOR VEGETALE (Fig A)

1. Capac (2)
2. Tija de fixare
3. Capac inferior

RO

4. Roată
5. Ansamblul capacului superior
6. Levier de reglare a adâncimii
7. Apărătoare de protecție
8. Bară de răzuire
9. Cheie hexagonală de 4 mm
10. Cheie hexagonală de 5 mm
11. Discu cu lame
12. Cilindru pentru îndepărtarea resturilor vegetale

ASAMBLARE

⚠️ AVERTISMENT: Dacă unele piese sunt deteriorate sau lipsesc, nu utilizați acest produs până la înlocuirea pieselor. Utilizarea acestui produs cu piese deteriorate sau lipsă s-ar putea solda cu vătămări grave.

⚠️ AVERTISMENT: Nu încercați să modificați acest produs sau să creați accesorii nerecomandate pentru acest produs. Orice astfel de modificare sau schimbare reprezintă o utilizare necorespunzătoare și se poate solda cu condiții periculoase care pot conduce la posibile vătămări grave.

CONECTAREA ARBORELUI DE FIXARE LA ANSAMBLUL ATAȘAMENT PENTRU ÎNDEPĂRTAREA RESTURILOR VEGETALE (Fig B)

| | | | |
|-----|----------------|-----|----------------|
| B-1 | Bolț M5 | B-4 | Orificiu |
| B-2 | Bolț | B-5 | Gaură șurub |
| B-3 | Tija de fixare | B-6 | Capac inferior |

1. Așezați ansamblul de îndepărtare a resturilor vegetale cu susul în jos pe o suprafață plană stabilă.
2. Îndepărtați capacul de la capătul frontal al arborelui de fixare.
3. Cu orificiul de pe arborele atașamentului orientat în sus, introduceți arborele atașamentului în capacul inferior al atașamentului până la capăt. Aliniați orificiul pentru șurub din capacul inferior cu orificiul de pe arborele de fixare.
4. Cu ajutorul cheii hexagonale de 4 mm furnizate, fixați capacul inferior pe arborele de fixare cu șurubul M5.
5. Cu ajutorul cheii hexagonale, strângeți bine cele două șuruburi preinstalate pe capacul inferior.

⚠️ AVERTISMENT: Asigurați-vă că cele trei șuruburi sunt complet strânse înainte de a utiliza echipamentul; verificați periodic dacă sunt strânse în timpul utilizării pentru a evita vătămări corporale grave.

CONECTAREA ATAȘAMENTULUI PENTRU ÎNDEPĂRTAREA RESTURILOR VEGETALE LA CAPUL MOTOR

Acest accesoriu pentru îndepărtarea resturilor vegetale este proiectat pentru a fi utilizat cu EGO Power Head PH1400E/PH1420E/PHX1600.

Consultați secțiunea „INSTALAREA UNUI ATAȘAMENT LA CAPUL MOTOR” din manualul de utilizare al capului motor PH1400E/PH1420E/PHX1600.

FUNȚIONARE

⚠️ AVERTISMENT: Nu permiteți ca familiarizarea cu acest produs să vă determine să fiți neatent. Amintiți-vă că o fracțiune de secundă de neatenție este suficientă pentru a provoca vătămări grave.

⚠️ AVERTISMENT: Purtați întotdeauna echipament de protecție oculară. Nerespectarea acestei instrucțiuni ar putea avea ca rezultat proiectarea în ochi a obiectelor și alte posibile vătămări grave.

⚠️ AVERTISMENT: Pentru a preveni vătămări corporale grave, scoateți acumulatorul din produs înainte de a repara, curăța, schimba accesoriile sau de a îndepărta materiale din produs.

⚠️ AVERTISMENT: Nu utilizați nicio componentă sau accesoriu care nu a fost recomandat de producătorul acestui produs. Utilizarea de accesorii nerecomandate se poate solda cu vătămări grave.

APLICAȚII

Îndepărtați resturile vechi, uscate, mușchiul, iarba sau rădăcinile de pe gazon.

PORNIREA/OPRIREA ATAȘAMENTULUI PENTRU ÎNDEPĂRTAREA RESTURILOR VEGETAL

Înainte de a utiliza mașina de îndepărtare a resturilor vegetale

⚠️ AVERTISMENT: Pentru a evita vătămările corporale grave, purtați întotdeauna ochelari de protecție sau ochelari de protecție atunci când utilizați acest produs. Purtați mască de protecție a feței sau mască de protecție la praf în locurile cu praf. Purtați îmbrăcăminte și încălțăminte adecvată în timpul funcționării pentru a reduce riscul de rănire care poate fi cauzat de resturile care zboară.

- Înainte de utilizare, inspectați bine produsul pentru a depista eventuale deteriorări. Nu utilizați produsul dacă acesta este deteriorat sau prezintă uzură.
- Asigurați-vă că gazonul este liber de pietre, bețe, sârmă sau alte obiecte care ar putea deteriora produsul.

- Tundeți gazonul înainte de a lucra și fertilizați după aceea.

SFATURI PRIVIND UTILIZAREA

Pentru ca un gazon sănătos să se dezvolte primăvara, este necesar ca, cantități mai mari de aer să pătrundă în zona din jurul rădăcinilor ierbii. Vă recomandăm să îndepărtați resturile vegetale de pe gazonul cel puțin de două ori pe an, primăvara sau toamna, în funcție de starea gazonului.

- Pentru siguranța dumneavoastră, nu acționați pe pante mai mari de 15 grade. Lucrați în lungul pantelor, nu în sus și în jos. Fiți extrem de prudent atunci când schimbați direcția pe pante.
- Nu lucrați cu acest produs pe un gazon umed, deoarece iarba umedă tinde să se lipească de punte și de dinți și, de asemenea, vă poate face să alunecați și să cădeți.
- Țineți produsul cu ambele mâini. Păstrați mânerul uscat pentru a fi un suport sigur.
- Împingeți încet produsul înainte. Deplasați produsul la viteza corespunzătoare. Nu-l mișcați prea repede pentru a preveni blocarea lamelor și provocarea supraîncălzirii motorului.
- Oprii imediat produsul dacă alte persoane intră în zona de lucru. Lăsați întotdeauna produsul să se oprească complet înainte de a-l pune jos.
- Nu suprasolicitați. Luați pauze regulate pentru a vă asigura că vă puteți concentra asupra muncii și că aveți control deplin asupra mașinii.
- Lucrați în rânduri ușor suprapuse. Cel mai eficient model sunt liniile drepte de-a lungul uneia dintre laturi (Fig C). Acest lucru va menține rândurile uniforme și vă va asigura că tot pe tot gazonul sunt îndepărtate resturile vegetale fără să lipsească pete.
- Acordați o atenție deosebită atunci când schimbați direcția.
- Mențineți întotdeauna o poziție stabilă. O alunecare și cădere pot cauza răni grave. Dacă simțiți că vă pierdeți echilibrul, opriți imediat motorul.
- Nu lucrați în apropierea pantelor, șanțurilor sau digurilor, pentru că vă puteți pierde echilibrul sau echilibrul.

Pentru a porni/opri atașamentul de îndepărtare a resturilor vegetale

Consultați secțiunea „**PORNIRE/OPRIRE A CAPULUI DE LUCRU**” din manualul operatorului pentru PH1400E/PH1420E/PHX1600.

AVERTISMENT: Oprii mașina dacă trebuie să fie înclinată pentru transport atunci când traversați alte suprafețe decât iarba și când transportați mașina la și de la zona în care urmează să fie utilizată.

AVERTISMENT: Nu înclinați mașina atunci când porniți motorul, cu excepția cazului în care mașina trebuie să fie înclinată pentru pornire. În acest caz, nu înclinați mai mult decât este absolut necesar și ridicați numai partea care este departe de operator.

Verificarea blocării lamelor

- Pentru a preveni blocarea, curățați partea inferioară a mașinii înainte și după fiecare utilizare pentru a îndepărta resturile acumulate.
- Atunci când se produce un blocaj, opriți mașina și scoateți acumulatorul, apoi îndepărtați orice acumulare de iarbă și frunze de pe sau din jurul lamelor și platformei. Curățați mașina ștergând-o cu o cârpă ușor umezită.

ADJUSTAREA ADÂNCIMII (Fig D)

AVERTISMENT: Păstrați-vă picioarele la distanță de carcasă când reglați înălțimea mașinii.

Adâncimea de îndepărtare a resturilor vegetale poate fi setată la 3 poziții de adâncime:

1 & 2: poziția de funcționare

3: poziția de transport

Reglați adâncimea în funcție de nevoile gazonului dvs.

1. Oprii mașina și așteptați ca mașina să se oprească complet.
2. Îndepărtați setul de acumulatori.
3. Scoateți maneta de reglare a adâncimii de îndepărtare a resturilor vegetale și reglați-o în poziția dorită.

RO

| | | | |
|-----|-------------------------------|-----|---------------------|
| D-1 | Levier de reglare a adâncimii | D-2 | Poziția de adâncime |
|-----|-------------------------------|-----|---------------------|

ÎNȚREȚINEREA

AVERTISMENT: Înainte de inspectarea, curățarea sau întreținerea mașinii, opriți motorul, așteptați ca toate piesele în mișcare să se oprească și scoateți acumulatorul. Nerespectarea acestor instrucțiuni se poate solda cu vătămări corporale grave sau distrugerea bunurilor.

AVERTISMENT: Purtați întotdeauna ochelari de protecție cu apărători laterale. Dacă nu faceți acest lucru, obiectele ar putea fi aruncate în ochii dumneavoastră, ceea ce ar putea duce la vătămări grave.

AVERTISMENT: La depanare, utilizați numai piese de schimb identice. Utilizarea oricăror altor piese poate crea un pericol sau poate produce o deteriorare. Pentru a asigura siguranța și fiabilitatea, toate reparațiile, altele

decât cele enumerate în aceste instrucțiuni de întreținere, trebuie efectuate de un tehnician de service calificat.

⚠️ AVERTISMENT: După lovirea unui obiect străin, opriți mașina și scoateți acumulatorul pentru a vă asigura că toate părțile mobile s-au oprit complet. Apoi inspectați mașina pentru a depista eventuale deteriorări și efectuați reparațiile necesare înainte de a reporni și de a utiliza mașina.

⚠️ AVERTISMENT: Dacă mașina începe să vibreze anormal, opriți mașina și scoateți acumulatorul pentru a vă asigura că toate părțile mobile s-au oprit complet. Apoi inspectați imediat dacă există deteriorări, înlocuiți sau reparați piesele deteriorate și verificați și strângeți piesele libere.

⚠️ AVERTISMENT: Aveți grijă în timpul reglării produsului pentru a preveni prinderea degetelor între părțile mobile și părțile fixe ale produsului.

CURĂȚARE

⚠️ AVERTISMENT: Când curățați atașamentul de îndepărtare a resturilor vegetale, NU îl scufundați în apă sau alte lichide.

Evitați utilizarea solvenților când curățați piese din plastic. Majoritatea pieselor din plastic sunt susceptibile să se deterioreze de la diverse tipuri de solvenți comerciali și se pot defecta prin utilizarea acestora. Utilizați lavete curate pentru a îndepărta murdăria, praful, uleiul, unsoarea etc.

LUBRIFICARE

Toți rulmenții din acest produs sunt lubrifiați cu o cantitate suficientă de lubrifiant de înaltă calitate pentru durata de viață a unității în condiții normale de funcționare. Prin urmare, nu este necesară o lubrifiere suplimentară a rulmenților.

ÎNLOCUIREA CILINDRULUI

⚠️ AVERTISMENT: Înainte de a efectua orice întreținere, scoateți întotdeauna acumulatorul din mașină și așteptați până când cilindrul cu lame se oprește complet. Purtați mănuși de protecție atunci când manevrați lamele.

Pentru a scoate cilindrul

1. Detașați setul de acumulatori de la capul de alimentare.
2. Așezați atașamentul cu susul în jos pe o suprafață plană stabilă.
3. Utilizați cheia hexagonală de 5 mm furnizată pentru a slăbi și scoate cele două șuruburi de blocare de pe scaunul rulmentului cilindrului de îndepărtare a resturilor vegetale (Fig E1).

4. Împingeți cilindrul de îndepărtare a resturilor vegetale spre stânga până când arborele spline de la capătul drept este scos din butucul spline al mașinii (Fig. E2).
5. Scoateți cilindrul de îndepărtare a resturilor vegetale din mașină (Fig E3).

| | | | |
|------|-----------------|------|--------------------------------------------------|
| E1-1 | Scaun rulment | E1-2 | Cilindru pentru îndepărtarea resturilor vegetale |
| E2-1 | Arborele axului | E2-2 | Butuc ax |

Pentru a instala noul cilindru

1. Așezați scaunul de rulment al noului cilindru pe baza mașinii și împingeți cilindrul spre stânga până la capăt (Fig. F1).
2. Aliniați și introduceți arborele canelat din partea dreaptă a cilindrului în butucul canelat al mașinii (Fig F2).
3. Aliniați cele două orificii de pe scaunul rulmentului cu orificiile de pe bază, fixați scaunul rulmentului pe bază cu șuruburile de blocare (Fig. F3).

ÎNLOCUIREA LAMELOR ATAȘAMENTULUI PENTRU ÎNDEPĂRTAREA RESTURILOR VEGETAL

În condiții normale de utilizare, lamele îndepărtare a resturilor vegetale se pot uza sau se pot rupe în timp. Când reglarea adâncimii lamelor nu mai oferă cantitatea corectă de îndepărtare a resturilor vegetale sau dacă o lama se rupe, urmați pașii de mai jos pentru a înlocui lamele.

Pentru a îndepărta lamele

1. Detașați setul de acumulatori de la capul de alimentare.
2. Așezați atașamentul cu susul în jos pe o suprafață plană stabilă.
3. Împingeți cei doi știfturi ai tijei de lame de îndepărtare a resturilor vegetale în fanta 1 de pe cilindru și scoateți vârful de lamă din cilindrul de îndepărtare a resturilor vegetale, așa cum se arată în Fig G.

| | | | |
|-----|-----|-----|---------|
| G-1 | Pin | G-2 | Fantă 1 |
|-----|-----|-----|---------|

Pentru a instala lamele de îndepărtare a resturilor vegetale (Fig. H)

1. Introduceți știftul tijei de îndepărtare a resturilor vegetale în fanta 1 de pe cilindru (pasul 1).
2. Introduceți scaunul tijei de îndepărtare a resturilor vegetale în fanta 2 de pe cilindru (pasul 2).
3. Ghidați cei doi pini ai lamei în fanta 1, împingeți înainte în poziția de la fanta 3 și cei doi pini se vor întoarce automat în poziție (pasul 3 și 4).

| | | | |
|-----|---------|-----|---------|
| H-1 | Pin | H-2 | Fantă 1 |
| H-3 | Fantă 2 | H-4 | Fantă 3 |

TRANSPORTAREA ȘI DEPOZITAREA

- Detașați setul de acumulatori de la capul de alimentare.
- Lăsați întotdeauna produsul să se răcească înainte de a-l depozita.
- Curățați bine produsul înainte de a-l depozita.
- Depozitați produsul într-o zonă uscată, bine ventilată, încuiat sau la înălțime, la îndemâna copiilor. Nu depozitați produsul pe sau lângă îngrășăminte, benzină sau alte substanțe chimice.

PROTEJAREA MEDIULUI ÎNCONJURĂTOR



Nu eliminați echipamentul electric, bateria epuizată și încărcătorul de baterii împreună cu deșeurile menajere! Predați acest produs unui punct de reciclare autorizat și puneți-l la dispoziția colectării separate.

Mașina electrică trebuie returnată unui centru de reciclare ecologic.

RO

DEPANAREA

| PROBLEMĂ | CAUZĂ | SOLUȚIE |
|-----------------------------------------------------------------------|-------------------------------------------------------------------------------------------------------------------------------------------------------------------------------------------------------------------------------------------------------------------------------|-------------------------------------------------------------------------------------------------------------------------------------------------------------------------------------------------------------------------------------------------------------------------------|
| Motorul nu pornește | <ul style="list-style-type: none"> ■ Capacitatea de încărcare a acumulatorului este epuizată. ■ Butonul de blocare sau comutatorul de declanșare nu este utilizat corect. ■ Pachetul de baterii nu este introdus complet în portul bateriei. | <ul style="list-style-type: none"> ■ Încărcați setul de acumulatori. ■ Urmați secțiunea "PORNIREA/ OPRIREA CAPULUI MOTOR" din manualul capului motor. ■ Verificați dacă pachetul de baterii este introdus complet în portul bateriei. |
| Mașina face zgomote anormale. | <ul style="list-style-type: none"> ■ Resturi sau obiecte străine care împiedică lamele mașinii. | <ul style="list-style-type: none"> ■ Opriti motorul, scoateți acumulatorul și îndepărtați resturile sau obiectele străine care împiedică funcționarea corectă a mașinii. |
| Mașina nu funcționează corect sau rezultatele nu sunt satisfăcătoare. | <ul style="list-style-type: none"> ■ Iarba este prea înaltă. | <ul style="list-style-type: none"> ■ Tundeți gazonul înainte de a îndepărta resturile vegetale. |
| | <ul style="list-style-type: none"> ■ Resturi umede lipite de partea inferioară a punții. | <ul style="list-style-type: none"> ■ Așteptați până când gazonul se usucă înainte de a îndepărta resturile vegetale. |
| | <ul style="list-style-type: none"> ■ Adâncimea setată la valoarea neadecvată. | <ul style="list-style-type: none"> ■ Reglați adâncimea lamelor pentru a obține rezultatul dorit. |
| | <ul style="list-style-type: none"> ■ Lamele uzate sau deteriorate. | <ul style="list-style-type: none"> ■ Înlocuiți lamele după cum este necesar. |

RO

GARANȚIE

POLITICA PRIVIND GARANȚIA EGO

Vă rugăm să consultați site-ul egopowerplus.eu pentru termenii și condițiile complete ale politicii privind garanția EGO.

PREBERITE VSA NAVODILA!



PREBERITE UPORABNIŠKI PRIROČNIK

VARNOSTNI SIMBOLI

Namen varnostnih simbolov je, da vas opozorijo na morebitne nevarnosti. Bodite pozorni na varnostne simbole in njihova pojasnila ter jih poskušajte razumeti. Opozorilni simboli sami ne odpravljajo nobene nevarnosti. Navodila in opozorila ne nadomeščajo ustreznih ukrepov za preprečevanje nesreč.

⚠ OPOZORILO: Prebrati in razumeti morate vsa varnostna navodila v tem priročniku za uporabo, vključno z vsemi simboli varnostnih opozoril, kot so »NEVARNOST«, »OPOZORILO« in »POZOR« pred uporabo tega stroja. Zaradi neupoštevanja spodaj navedenih navodil lahko pride do električnega udara, požara in/ali resnih telesnih poškodb.

POMEN SIMBOLA

⚠ SIMBOL VARNOSTNEGA OPOZORILO: Nakazuje NEVARNOST, OPOZORILO ali SVARILO. Lahko se uporablja z drugimi simboli ali piktografi.



⚠ OPOZORILO: Delovanje katerega koli stroja lahko povzroči metanje tujkov v vaše oči, kar lahko povzroči resne poškodbe očesa. Pred začetkom dela z električnim strojem vedno nosite zaščitna očala ali varnostna očala s

stranskimi zaščitami in po potrebi tudi ščit za celoten obraz. Priporočamo vam uporabo varnostne maske Wide Vision Safety Mask za uporabo preko očal ali standardnih varnostnih očal s stransko zaščito.

VARNOSTNA NAVODILA

Na tej strani so prikazani in opisani varnostni simboli, ki se lahko pojavijo na tem izdelku. Preberite in osvojite navodila na stroju ter jih upoštevajte, preden se lotite sestavljanja in upravljanja stroja.

| | | |
|--|------------------------------------------------------------------------------|----------------------------------------------------------------------------------------------------------------------------------------|
| | Varnostno opozorilo | Označuje morebitno nevarnost za telesne poškodbe. |
| | Uporabniški priročnik morate prebrati in razumeti. | Za zmanjšanje nevarnosti telesnih poškodb je pomembno, da si uporabnik pred uporabo stroja prebere in razume priročnik za upravljavce. |
| | Nosite zaščito za oči | Pri upravljanju tega izdelka vedno nosite zaščitna očala ali varnostna očala s stransko zaščito in ščitnik za obraz. |
| | OPOZORILO – Pazite na vržene predmete, mimoidoči naj bodo na varni razdalji. | Uporabnika opozori, naj pazi na vržene predmete, mimoidoči naj bodo na varni razdalji. |
| | NEVARNOST – Ne približujte se z dlanmi in stopali. | Uporabnike opozori, naj se izdelku ne približujejo z dlanmi in stopali. |
| | OPOZORILO – Z dlanmi in stopali se ne približujte zobcem. | Uporabnika opozori, da se z dlanmi in stopali ne približuje zobcem. |
| | CE | Ta izdelek je skladen z veljavnimi direktivami ES. |
| | UKCA | Ta izdelek je skladen z veljavno zakonodajo VB. |
| | Odpadna električna in elektronska oprema (OEEO) | Odpadnih električnih izdelkov ne odlagajte med gospodinske odpadke. Odnosite jih na pooblaščen obrat za recikliranje. |
| | Hrup | Zagotovljena raven zvočne moči Emisije hrupa v okolico so v skladu z direktivo Evropske skupnosti. |

SL

| | | |
|-----------------------------------------------------------------------------------|----------------------------------------|---------------------------------------------------------------|
| V | Volt | Napetost |
|  | Enosmerni tok (DC) | Vrsta ali značilnost toka |
| mm | Milimeter | Dolžina ali velikost |
| kg | Kilogram | Teža |
| min | Minute | Čas |
| n ₀ | Hitrost brez obremenitve | Vrtlina hitrost brez obremenitve |
| Min ⁻¹ | Število obratov ali obračanj na minuto | Vrtljaji, udarci, površinska hitrost, kroženja itd. na minuto |
| VRT./MIN. | Število vrtljajev na minuto | Vrtlina hitrost |
| °C | Stopinje Celzija | Temperatura |

⚠ OPOZORILO: Za zagotovitev varnosti in zanesljivosti mora vsa popravila izvesti usposobljen servisni tehnik.

SPLOŠNA VARNOSTNA OPOZORILA ZA BATERIJSKI STROJ

SL

⚠ OPOZORILO: PREBERITE VSA VARNOSTNA OPOZORILO, NAVODILA, SLIKE IN TEHNIČNE PODATKE, KI SO PRILOŽENI TEMU STROJU. Zaradi neupoštevanja spodaj navedenih navodil lahko pride do električnega udara, požara in/ali hudih telesnih poškodb.

VSA OPOZORILO IN NAVODILA SHRANITE ZA POZNEJŠO UPORABO.

Izraz »stroj« v opozorilih se nanaša na stroj, ki ga poganja električni tok (žični), ali na baterijski (brežžični) stroj.

VARNOST DELOVNEGA OBMOČJA

- **Delovno območje naj bo čisto in dobro osvetljeno.** Na neurejenih ali temnih območjih se hitro zgodijo nesreče.
- **Ne uporabljajte strojev v eksplozivnih okoljih, kot na primer v prisotnosti vnetljivih tekočin, bencina ali prahu.** Stroji ustvarjajo iskre, ki lahko povzročijo vžig prahu ali hlapov.
- **Med uporabo stroja poskrbite, da otroci in mimoidoči ne bodo v bližini.** Zaradi močenj lahko izgubite nadzor.

ELEKTRIČNA VARNOST

- **Vtiči stroja se morajo prilegati vtičnicam. Vtiča nikoli ne smete spreminjati na kakršen koli način. Z ozemljenimi stroji ne uporabljajte nikakršnih napajalnih vtičev.** Nespremenjeni vtiči in pripadajoče vtičnice bodo zmanjšali tveganje električnega udara.
- **Izogibajte se telesnemu stiku z ozemljenimi površinami, kot so cevi, radiatorji, štedilniki in hladilniki.** Če je vaše telo ozemljeno, obstaja povečano tveganje električnega udara.
- **Stroja ne uporabljajte v dežju ali mokrih pogojih.** To lahko poveča nevarnost električnega udara.
- **Ne poškodujte električnega kabla. Kabla ne uporabljajte za nošenje, vlečenje ali odklop stroja. Kabel hranite stran od vročine, olja, ostrih robov ali premikajočih se delov.** Poškodovani ali zapleteni kablji zvišujejo tveganje električnega udara.
- **Med uporabo stroja na prostem uporabite podaljšek, ki je primeren za uporabo na prostem.** Uporaba kabla, primernega za zunanjo uporabo, znižuje tveganje električnega udara.
- **Če je uporaba stroja na vlažnem mestu neizogibna, uporabite stikalo za prekinitev napajanja pri najmanjšem okvarnem toku (GFCI).** Uporaba stikala bo zmanjšala nevarnost električnega udara.

OSEBNA VARNOST

- **Med uporabo stroja bodite pozorni, spremljajte potek dela in uporabljajte zdrav razum. Stroja ne uporabljajte, kadar ste utrujeni oziroma pod vplivom drog, alkohola ali zdravil.** Trenutek nepazljivosti med uporabo stroja lahko povzroči hude telesne poškodbe.
- **Uporabljajte osebno varovalno opremo. Vedno uporabljajte zaščito za oči.** Če v določenih okoliščinah nosite ustrezno zaščitno opremo, kot so maska proti prahu, zaščitna obutev z nedrsečim podplatom, trdno pokrivalo glave in zaščita za sluh, zmanjšate možnost telesnih poškodb.
- **Preprečite neželen zagon. Pred priklopom na vir napajanja in/ali priklopom baterijskega sklopa ter pred dvigovanjem ali nošenjem stroja se prepričajte, da je stikalo v položaju za izklop.** Prenašanje strojev s prstom na stikalo ali vklop strojev pri katerih je stikalo v položaju za vklop, povzroči tveganje za nesreče.
- **Pred vklopom stroja odstranite morebitne nastavitvene ali viličaste ključe.** Viličasti ali drug ključ, ki je pritrjen na vrtljivi del stroja, lahko povzroči telesne poškodbe.

- **Ne stegujte se preveč. Pazite, da ves čas stojite stabilno in ohranite ravnotežje.** To omogoča boljši nadzor nad strojem v nepričakovanih situacijah.
- **Bodite primerno oblečeni. Ne nosite ohlapnih oblačil ali nakita. Pazite, da lasje in oblačila ne pridejo v bližino gibljivih delov.** Ohlapna oblačila, nakit ali dolgi lasje se lahko zapletejo v gibljive dele.
- **Če imate na voljo stroje za sesanje in zbiranje prahu, preverite, ali so priključene in ali se ustrezno uporabljajo.** Uporaba strojev za zbiranje prahu lahko zmanjša nevarnosti, povezane s prahom.
- **Čeprav dobro poznate stroj zaradi pogoste uporabe, ne postanite brezbržni in ne prezrite varnostnih načel uporabe stroja.** Nepazljivost pri uporabi lahko povzroči hude telesne poškodbe v delcu sekunde.

UPORABA IN NEGA STROJA

- **Stroja ne preobremenjujte. Uporabite stroja, ki je primeren za vaše delo.** Ustrezen stroj bo nalogo opravil bolje in varneje pri zmogljivosti, za katero je bil zasnovan.
- **Stroja ne uporabljajte, če ga ni mogoče vklopiti in izklopiti s stikalom.** Stroja, ki ga ni mogoče upravljati s stikalom, je nevaren in ga je treba popraviti.
- **Pred kakršnimi koli nastavitvami, menjavo dodatne opreme ali shranjevanjem stroja izključite vtič iz vira napajanja in/ali iz stroja odstranite baterijski sklop, če ga je mogoče odstraniti.** Taki preventivni varnostni ukrepi zmanjšujejo tveganje nenamernega zagona stroja.
- **Neaktivne stroje shranjujte zunaj dosega otrok in osebam, ki niso seznanjene s strojem ali s temi navodili, preprečite upravljanje stroja.** Stroji so v rokah neusposobljenih uporabnikov nevarni.
- **Poskrbite za vzdrževanje stroja in dodatne opreme. Preverite, ali so globlji deli nepravilno poravnani ali povezani, ali so deli polomljeni oziroma obstaja kakršno koli drugo stanje, ki bi lahko vplivalo na delovanje stroja.** Če je stroj poškodovan, ga pred uporabo popravite. Veliko nesreč je posledica slabo vzdrževanih strojev.
- **Rezalni stroji naj bodo vedno nabrušeni in čisti.** Pravilno vzdrževani rezalni stroji z ostrimi rezili se težje zaskočijo in jih je lažje nadzirati.
- **Stroj, dodatno opremo, dele stroja itd. uporabljajte v skladu s temi navodili, pri tem pa upoštevajte delovne pogoje in delo, ki ga boste opravljali.** Če boste stroj uporabljali za postopke, ki niso predvideni, lahko pride do nevarnih situacij.
- **Ročaji in prijemalne površine naj bodo suhe, čiste in brez madežev olja ali masti.** Drseči ročaji in prijemalne

površine ne omogočajo varne uporabe in upravljanja stroja v nepričakovanih situacijah.

UPORABA IN NEGA BATERIJSKIH STROJEV

- **Baterijo polnite le s polnilnikom, ki ga določa proizvajalec.** Polnilnik, ki je primeren za eno vrsto akumulatorja, morda lahko povzroči nevarnost požara, če z njim polnite drugo vrsto akumulatorja.
 - **Stroje uporabljajte samo s predpisano vrsto akumulatorja.** Uporaba kateregakoli drugega akumulatorja lahko povzroči tveganje za telesne poškodbe in požar.
 - **Ko akumulatorski sklop ni v uporabi, ga hranite ločeno od drugih kovinskih predmetov, kot so sponke za papir, kovanci, ključji, žebliji, vijaki ali drugi majhni kovinski predmeti, ki lahko povzročijo stik med enim in drugim kontaktom.** Kratak stik zaradi povezanih kontaktov baterije lahko povzroči opekline ali požar.
 - **Ob zlorabi baterije lahko iz nje brizgne tekočina, stik s katero preprečite. Če se nehote dotaknete tekočine, mesto dotika sperite z vodo.** Če pride tekočina v stik z očmi, poleg tega poiščite zdravstveno pomoč. Tekočina, ki brizgne iz baterije, lahko povzroči draženje ali opekline.
 - **Ne uporabljajte poškodovanega ali spremenjenega baterijskega sklopa ali stroja.** Poškodovane ali spremenjene baterije lahko nepredvidljivo delujejo, zaradi česar lahko pride do požara, eksplozije ali nevarnosti telesnih poškodb.
 - **Baterijskega sklopa ali stroja ne izpostavljajte ognju ali previsokim temperaturam.** Izpostavljanje ognju ali temperaturam nad 130 °C lahko povzroči eksplozijo.
 - **Upoštevajte vsa navodila za polnjenje in baterijskega sklopa ali stroja ne polnite zunaj temperaturnega razpona, navedenega v navodilih.** Zaradi nepravilnega polnjenja ali temperature zunaj navedenega razpona lahko pride do poškodb baterije in povečanega tveganja za požar.
- #### SERVIS
- **Stroj naj servisira usposobljen serviser, ki uporablja samo enake nadomestne dele.** To bo zagotovilo ohranjanje varnosti stroja.
 - **Nikoli ne popravljajte poškodovanega akumulatorja.** Akumulator lahko popravi le proizvajalec ali pooblaščen izvajalec servisiranja.

SL

VARNOSTNA OPOZORILA ZA PRIKLJUČEK ZA ZRAČENJE TRATE

- Stroj ne uporabljajte v slabih vremenskih razmerah, zlasti če obstaja nevarnost strele. S tem boste zmanjšali možnost udara strele.
- Temeljito preglejte, ali so na območju, kjer boste uporabljali stroj, prostoživeče živali in rastline. Med delovanjem lahko stroj poškoduje prostoživeče živali.
- Območje, kjer boste uporabljali stroj, temeljito preglejte in odstranite vse kamne, palice, žice, kosti in druge tujke. Takšni predmeti lahko povzročijo telesne poškodbe.
- Pred uporabo stroj vedno preglejte in se pripravite, da zobci in sklop zobcev niso obrabljeni ali poškodovani. Zaradi izrabljenih ali poškodovanih delov je nevarnost telesnih poškodb večja.
- Varovala naj bodo nameščena. Varovala morajo biti v delovnem stanju in pravilno nameščena. Varovalo, ki je ohlapno, poškodovano ali ne deluje pravilno, lahko povzroči telesne poškodbe.
- Poskrbite, da bodo odprtine za zračenje čiste. Zamašeni dovodi zraka in smeti lahko povzročijo pregrevanje ali nevarnost požara.
- Med uporabo stroja vedno nosite zaščitno obutev z nedrsečim podplatom. Stroja ne upravljajte bosi ali v odprtih sandalih. To zmanjšuje možnost poškodb stopal zaradi stika s premikajočimi zobci.
- Med upravljanjem stroja vedno nosite dolge hlače. Izpostavljena koža povečuje verjetnost poškodb zaradi izvrženih predmetov.
- Stroja ne uporabljajte v mokri travi. Hodite, nikoli ne tecite. To zmanjšuje nevarnost zdrsa in padca, zaradi česar lahko pride do telesnih poškodb.
- Stroja ne uporabljajte na preveč strmih pobočjih. To zmanjšuje nevarnost izgube nadzora, zdrsa in padca, zaradi česar lahko pride do telesnih poškodb.
- Pri delu na pobočjih vedno pazite na ravnotežje, vedno delajte poševno po pobočju, nikoli navzgor ali navzdol, in bodite izredno previdni pri menjavanju smeri. To zmanjšuje nevarnost izgube nadzora, zdrsa in padca, zaradi česar lahko pride do telesnih poškodb.
- Pri vzratnem premikanju ali ob potegu stroja proti sebi bodite izjemno previdni. Vedno bodite pozorni na svojo okolico. To zmanjša nevarnost spotikanja med delovanjem.
- Stroj držite samo za izolirane prijemalne površine, saj se lahko zobci dotikajo skrite napeljave. Zobci v stiku z žicami pod napetostjo lahko to napetost

prenesejo na izpostavljene kovinske dele in lahko povzročijo električni udar upravljavca.

- Ne dotikajte se zobcev in drugih nevarnih gibljivih delov, ko se še premikajo. To zmanjšuje nevarnost poškodb zaradi premikajočih delov.
- Pri odstranjevanju zagozdenega materiala ali čiščenju stroja se pripravite, da so vsa napajalna stikala izklopljena in da je baterijski sklop odklopljen. Nepričakovano delovanje stroja lahko povzroči resne telesne poškodbe.

DODATNA OPOZORILA

- Uporabljajte samo s pogonsko glavo EGO PH1400E/ PH1420E/PHX1600.
OPOMBA: Za podrobna varnostna pravila in navodila za uporabo glejte priročnik za uporabo pogonske enote EGO PH1400E/PH1420E/PHX1600.

TA NAVODILA SHRANITE

TEHNIČNI PODATKI

| | |
|-----------------------------------------|------------------------------------------|
| Največja delovna širina | 355 mm |
| Hitrost brez obremenitve (s PH1420E) | Nizka: 2600 VRT./MIN. |
| | Visoko: 3000 VRT./MIN. |
| Nastavitev globine | 3 položajji |
| Globina zračenja | 0/10 mm/20 mm |
| Priporočena obratovalna temperatura | 0 °C–40 °C |
| Priporočena temperatura za shranjevanje | –20 °C–70 °C |
| Izmerjena raven zvočne moči L_{WA} | 88 dB(A) K=2 dB(A) (PH1400E) |
| | 88,49 dB(A) K=0,81 dB(A) (PH1420E) |
| | 90 dB(A) K=0,9 dB(A) (PHX1600) |

| | | |
|----------------------------------------------------------------------------------------|--------------------------------------|--------------------------------------------|
| Raven zvočnega tlaka v ušesu upravljavca L_{PA} | 82 dB(A) K=3 dB(A) (PH1400E) | |
| | 79,8 dB(A) K=3 dB(A) (PH1420E) | |
| | 82 dB(A) K=3 dB(A) (PHX1600) | |
| Zagotovljena raven zvočnega tlaka L_{WA} (izmerjena v skladu z Direktivo 2000/14/ES) | 92 dB(A) | |
| Vrednotenje oddajanja vibracij a_h | Nastavljiv sprednji ročaj za prijem | 2,35 m/s^2 K=1,5 m/s^2 (PH1400E) |
| | | 2,36 m/s^2 K=1,5 m/s^2 (PH1420E) |
| | | 2,63 m/s^2 K=1,5 m/s^2 (PHX1600) |
| | Rear handle | 2,66 m/s^2 K=1,5 m/s^2 (PH1400E) |
| | | 2,24 m/s^2 K=1,5 m/s^2 (PH1420E) |
| | | 1,74 m/s^2 K=1,5 m/s^2 (PHX1600) |
| Teža (z valjem enote za zračenje trate) | 7,4 kg | |

oceni izpostavljenosti v dejanskih pogojih uporabe (ob upoštevanju vseh delov delovnega cikla, kot so časi, ko je stroj izklopljen in ko teče v prostem teku, poleg časa sprožitve).

OPIS

SPOZNAJTE SVOJ PRIKLJUČEK ZA ZRAČENJE TRATE (sl. A)

1. Pokrovček (2)
2. Priključna gred
3. Spodnji pokrov
4. Kolo
5. Sklop zgornjega pokrova
6. Ročica za nastavitev globine
7. Ščitnik deflektorja
8. Strgalna letev
9. 4 mm šesterkotni ključ
10. 5-mm imbus ključ
11. Zobec grabelj
12. Valj enote za zračenje

SESTAVLJANJE

⚠ OPOZORILO: Če so deli poškodovani ali manjkajo, izdelka ne uporabljajte, dokler ne zamenjate delov. Če ta izdelek uporabljate s poškodovanimi ali manjkajočimi deli, lahko pride do hudih telesnih poškodb.

⚠ OPOZORILO: Tega izdelka ne spreminjajte in ne izdelujte dodatkov, ki niso priporočeni za uporabo s tem izdelkom. Vsako tako spreminjanje ali predelava se šteje za napačno uporabo in povzroči tveganja, ki lahko povzročijo hude telesne poškodbe.

SL

- Zgornji parametri so preizkušeni in izmerjeni, opremljeni s pogonsko glavo PH1400E/PH1420E/PHX1600.
- Nazivna skupna vrednost tresljajev je bila izmerjena v skladu s standardno preskusno metodo in jo je mogoče uporabiti za primerjavo enega orodja z drugim.
- Nazivno skupno vrednost tresljajev je mogoče uporabiti tudi za predhodno oceno izpostavljenosti.

⚠ OPOZORILO: Oddajanje tresljajev med dejansko uporabo stroja se lahko razlikuje od nazivne vrednosti, v kateri se uporablja stroj. Upravljavec se lahko zaščiti tako, da uporablja rokavice in slušnice, primerne dejanskim pogojem uporabe.

⚠ OPOZORILO: glede na to, da je treba opredeliti varnostne ukrepe za zaščito upravljavca, ki temeljijo na

PRIKLJUČITEV PRIKLJUČNE GREDI NA SKLOP ENOTE ZA ZRAČENJE TRATE (sl. B)

| | | | |
|-----|-----------------|-----|-----------------|
| B-1 | Vijak M5 | B-4 | Odpertina |
| B-2 | Vijak | B-5 | Luknja za vijak |
| B-3 | Priključna gred | B-6 | Spodnji pokrov |

1. Sklop enote za zračenje obrnite okoli na stabilno ravno površino.
2. Pokrovček odstranite s sprednjega konca priključne gredi.
3. Luknja na priključni gredi naj bo obrnjena navzgor, nato pa priključno gred do konca vstavite v spodnji

pokrov priključka. Luknjo za vijak v spodnjem pokrovu poravnajte z luknjo na priključni gredi.

4. S priloženim 4-mm imbusnim ključem pritrдите spodnji pokrov na priključno gred s pomočjo vijaka M5.
5. S pomočjo imbusnega ključa čvrsto privijte dva predhodno nameščena vijaka na spodnji pokrov.

⚠ OPOZORILO: Pred uporabo opreme preverite, ali so trije vijaki popolnoma priviti. Med uporabo opreme redno preverjajte, ali je vijak dovolj privit, da preprečite hude telesne poškodbe.

PRIKLJUČITEV PRIKLJUČKA ZA ZRAČENJE TRATE NA POGONSKO GLAVO

Ta priključek za zračenje trate je zasnovan za uporabo s pogonsko enoto EGO PH1400E/PH1420E/PHX1600.

Glejte razdelek »**NAMEŠČANJE PRIKLJUČKA NA POGONSKO ENOTO**« v uporabniškem priročniku pogonske enote PH1400E/PH1420E/PHX1600.

UPRAVLJANJE

⚠ OPOZORILO: Tudi če se dodobra seznanite s tem izdelkom, bodite pri ravnanju z njim pazljivi. Upošteвайте, da je samo delček sekunde nepazljivosti dovolj, da pride do hude telesne poškodbe.

⚠ OPOZORILO: Vedno uporabljajte zaščito za oči. V nasprotnem primeru vam lahko v oči priletijo predmeti ali pride do drugih hudih telesnih poškodb.

⚠ OPOZORILO: Če želite preprečiti resne telesne poškodbe, odstranite baterijo iz izdelka, preden servisirate, očistite, zamenjate dodatke ali odstranjujete material iz izdelka.

⚠ OPOZORILO: Ne uporabljate priključkov ali dodatkov, ki jih proizvajalec tega izdelka ne priporoča. Uporaba priključkov ali dodatkov, ki niso priporočeni, lahko povzroči hude telesne poškodbe.

NAMENI UPORABE

S trate odstranite stare, posušene odrezke, mah, travo ali ostanke korenin.

ZAGON/ZAUSTAVITEV ENOTE ZA ZRAČENJE

Pred uporabo enote za zračenje

⚠ OPOZORILO: Da se izognete resni telesni poškodbi, nosite varovalna ali zaščitna očala ves čas, ko delate z izdelkom. Na prašnih lokacijah uporabljajte masko za obraz ali protiprašno masko. Med delovanjem nosite ustrezna oblačila in obutev, da zmanjšate tveganje poškodb, ki jih lahko povzročijo leteči odpadki.

- Pred uporabo izdelek temeljito pregledajte za morebitne poškodbe. Izdelka ne uporabljajte, če je poškodovan ali obrabljen.
- Prepričajte se, da je trata brez kamnov, palic, žice ali drugih predmetov, ki bi lahko poškodovali izdelek.
- Pred delom pokosite trato in jo nato pognojite.

Nasveti za uporabo

Da bi se spomladi razvila zdrava trata, mora v območje okoli korenin trate prodreti večja količina zraka. Priporočamo, da trato prezračite vsaj dvakrat letno, spomladi ali jeseni, odvisno od stanja vaše trate.

- Zaradi varnosti izdelka ne uporabljajte na pobočjih, ki so strmehša od 15 stopinj. Delajte poševno po pobočju, nikoli navzdol in navzgor. Pri menjavanju smeri na pobočjih bodite izredno previdni.
- Izdelka ne uporabljajte na mokri trati, ker se mokra trava lepi na pokrov izdelka in zobcev, lahko pa povzroči tudi zdrs in padec.
- Izdelek držite z obema rokama. Ročaji naj bodo suhi, da zagotovite varno podporo.
- Izdelek počasi potisnite naprej. Izdelek premikajte z ustrezno hitrostjo. Ne premikajte ga prehitro, da preprečite, da bi se zobci zataknili in povzročili preobremenitev motorja.
- Izdelek takoj izklopite, če v delovno območje vstopijo druge osebe. Vedno počakajte, da se izdelek popolnoma ustavi, šele nato ga odložite.
- Ne preobremenjujte se. Vzemite si redne odmore, da se lahko osredotočite na delo in ohranite popoln nadzor nad strojem.
- Delajte v rahlo prekrivajočih se vrstah. Najučinkovitejši vzorec so ravne črte vzdolž ene od strani (slika C). S tem boste ohranili enakomerno vrste in zagotovili, da je vsa trata prezračena, ne da bi izpustili katero koli mesto.
- Pri spreminjanju smeri bodite še posebej pozorni.
- Vedno stojite trdno. Zdrs in padec lahko povzročita resno telesno poškodbo. Če menite, da izgubljate ravnotežje, takoj izklopite motor.
- Nikoli ne delajte v bližini odlagališč, jarkov ali nasipov, saj lahko izgubite oporo ali ravnotežje.

Zagon/zaustavitev priključka za zračenje

Glejte razdelek »**ZAGON/ZAUSTAVITEV POGONSKO ENOTE**« v uporabniškem priročniku za enoto PH1400E/PH1420E/PHX1600.

⚠ OPOZORILO: Ustavite stroj, če ga je treba nagniti za transport pri prečkanju površin, ki niso trava, in pri transportu stroja na in z območja njegove uporabe.

⚠ OPOZORILO: Pri zagonu motorja ne nagibajte stroja, razen če je stroj treba nagniti za zagon. V tem primeru ga ne nagnite bolj kot je nujno potrebno in dvignite samo del, ki je odmaknjen od upravljavca.

Preverjanje blokade zobcev

- Da preprečite blokado, pred in po vsaki uporabi očistite spodnjo stran stroja, da odstranite vse nakopičene ostanke.
- Ko pride do blokade, ustavite stroj in odstranite baterijski sklop, nato pa odstranite vso nakopičeno travo in listje na ali okoli zobcev in krova. Stroj obrišite z vlažno krpo.

NASTAVLJANJE GLOBINE (sl. D)

⚠ OPOZORILO: Pri prilagajanju globine imejte stopala stran od pokrova.

Globino zračenja lahko nastavite na 3 položaje globine:

1 in 2: položaj delovanja

3: položaj za transport

Globino prilagodite glede na potrebe svoje trate.

1. Izklopite stroj in počakajte, da se popolnoma ustavi.
2. Odstranite baterijski sklop.
3. Ročico za nastavev globine povlecite iz varovalke in jo nastavite v zeleni položaj.

| | | | |
|-----|----------------------------|-----|--------------------|
| D-1 | Ročica za nastavev globine | D-2 | Položaj za globino |
|-----|----------------------------|-----|--------------------|

VZDRŽEVANJE

⚠ OPOZORILO: Pred pregledom, čiščenjem ali servisiranjem stroja ustavite motor, počakajte, da se vsi gibljivi deli ustavijo, in odstranite baterijo. Neupoštevanje teh navodil lahko povzroči hude telesne poškodbe ali materialno škodo.

⚠ OPOZORILO: Vedno nosite zaščito za oči, ki ima varovanje tudi s strani. Če tega ne storite, vam lahko v oči priletijo predmeti, kar lahko povzroči hude poškodbe.

⚠ OPOZORILO: Za popravila uporabljajte samo identične nadomestne dele. Uporaba drugih delov je tvegana in lahko poškoduje izdelek. Za zagotovitev varnosti in zanesljivosti mora vsa popravila, razen tistih, ki so navedena v navodilih za vzdrževanje, izvesti usposobljen serviser.

⚠ OPOZORILO: Po udarcu ob tujek ustavite stroj in odstranite baterijski sklop, da zagotovite, da so se vsi gibljivi deli popolnoma ustavili. Nato preglejte rezilo za

poškodbe in jih odpravite pred ponovnim zagonom ter upravljanjem stroja.

⚠ OPOZORILO: Če se začne stroj nenormalno tresti, ustavite stroj in odstranite baterijski sklop, da zagotovite, da so se vsi gibljivi deli popolnoma ustavili. Nato takoj preverite, ali so deli poškodovani ter zamenjajte ali popravite poškodovane dele ter preverite in zategnite vse odvijte dele.

⚠ OPOZORILO: Med prilagajanjem izdelka bodite previdni, da preprečite ujete prstov med premikajoče dele in fiksne dele izdelka.

ČIŠČENJE

⚠ OPOZORILO: Pri čiščenju priključka za zračenje NE potopite v vodo ali druge tekočine.

Pri čiščenju plastičnih delov ne uporabljajte topil. Večina vrst plastike se lahko pri uporabi različnih komercialnih topil poškoduje. Umazano, prah, olje, maščobe itd. odstranite s čisto krpo.

MAZANJE

Vsi ležaji tega izdelka so namazani s količino visokokakovostnega maziva, ki zadostuje za vso življenjsko dobo enote v normalnih delovnih pogojih. Zato nadaljnje mazanje ležajev ni zahtevano.

MENJAVA VALJA

⚠ OPOZORILO: Pred kakršnim koli vzdrževanjem vedno odstranite baterijski sklop iz stroja in počakajte, da se valj z zobci popolnoma ustavi. Pri rokovanju z zobci vedno nosite zaščitne rokavice.

Odstranjevanje valja

1. Odstranite baterijski sklop iz pogonske enote.
2. Prikluček položite na ravno stabilno površino, tako da je obrnjen okoli.
3. S priloženim 5-mm imbusnim ključem odvijte in odstranite dva zaklepna vijaka na ležajnem sedežu valja pripomočka za zračenje (sl. E1).
4. Valj za zračenje potisnite v levo, dokler se gred utora na desnem koncu ne izleče iz pesta utora stroja (sl. E2).
5. Iz stroja odstranite valj za zračenje. (sl. E3).

| | | | |
|------|---------------|------|------------------------|
| E1-1 | Ležajni sedež | E1-2 | Valj enote za zračenje |
| E2-1 | Gred vretena | E2-2 | Pesto vretena |

Namestitev novega valja

1. Ležajni sedež novega valja namestite na podnožje stroja in valj potisnite v levo do konca (sl. F1).
2. Gred utora na desni strani valja poravnajte in vstavite v peso utora stroja (sl. F2).
3. Obe luknji na ležajnem sedežu poravnajte z luknjama na podnožju in ležajni sedež pritrdite na podnožje z zaklepnimi vijaki (sl. F3).

ZAMENJAVA ZOBCEV GRABELJ

Pri običajni uporabi se lahko zobci grabelj sčasoma obrabijo ali zlomijo. Ko prilagajanje globine zobcev ne daje več pravilne količine zračenja ali če se zobec zlomi, sledite spodnjim korakom za zamenjavo zobcev.

Odstranjevanje zobca

1. Odstranite baterijski sklop iz pogonske enote.
2. Priključek položite na ravno stabilno površino, tako da je obrnjen okoli.
3. Potisnite oba zatiča grabelj v režo 1 na valju in izvlecite zobec grabelj iz valja za zračenje, kot je prikazano na sliki G.

| | | | |
|-----|-------|-----|--------|
| G-1 | Zatič | G-2 | Reža 1 |
|-----|-------|-----|--------|

Namestitev zobca grabelj (sl. H)

1. Vstavite zatič zobca grabelj v režo 1 na valju (korak 1).
2. Vstavite sedež zobca grabelj v režo 2 na valju (korak 2).
3. Potisnite oba zatiča zobca v režo 1, potisnite naprej do položaja na reži 3 in oba zatiča se samodejno odbijeta na mestu (korak 3 in 4).

| | | | |
|-----|--------|-----|--------|
| H-1 | Zatič | H-2 | Reža 1 |
| H-3 | Reža 2 | H-4 | Reža 3 |

PREVOZ IN SHRANJEVANJE

- Odstranite baterijski sklop iz pogonske enote.
- Preden izdelek shranite, vedno počakajte, da se ohladi.
- Izdelek pred shranjevanjem temeljito očistite.
- Izdelek shranjujte v suhem in dobro zračenem prostoru, ki ga je mogoče zakleniti ali je dvignjen in izven dosega otrok. Izdelka ne shranjujte na ali v bližini gnojil, bencina ali drugih kemikalij.

VAROVANJE OKOLJA



Električne opreme, rabljene baterije in polnilnika ne odvrzite med gospodinjske odpadke! Izdelek odnesite v pooblaščen obrat za recikliranje in ga zavrzite ločeno. Električne stroje je treba odnesti na obrat za recikliranje in jih reciklirati na okolju prijazen način.

ODPRAVLJANJE TEŽAV

| TEŽAVA | VZROK | REŠITEV |
|----------------------------------------------------------|-----------------------------------------------------------------------------------------------------------------------------------------------------------------------------------------------------------------------------------------|---------------------------------------------------------------------------------------------------------------------------------------------------------------------------------------------------------------------------------------------------------------------------|
| Motorja ni mogoče zagnati. | <ul style="list-style-type: none"> ■ Akumulator je izprazenjen. ■ Gumb za zaklepanje ali sprožilno stikalo ni pravilno uporabljeno. ■ Baterijski sklop niso pravilno vstavljeni v prostor za baterije. | <ul style="list-style-type: none"> ■ Napolnite baterijski sklop. ■ Glejte razdelek »ZAGON/ZAUSTAVITEV POGONSKE ENOTE« v uporabniškem priročniku pogonske enote. ■ Preverite, ali je baterija popolnoma vstavljena v prostor za baterije. |
| Stroj oddaja nenormalne zvoke. | <ul style="list-style-type: none"> ■ Ostanke ali tujki ovirajo zobce stroja. | <ul style="list-style-type: none"> ■ Ustavite motor, odstranite baterijski sklop in odstranite ostanke ali tujke ali tujke, ki preprečujejo pravilno delovanje stroja. |
| Stroj ne deluje pravilno ali rezultati niso zadovoljivi. | <ul style="list-style-type: none"> ■ Trava je previsoka. | <ul style="list-style-type: none"> ■ Trato najprej pokosite in jo nato prezračite. |
| | <ul style="list-style-type: none"> ■ Drobcji mokre trave so se nalepili na spodnjo stran pokrova. | <ul style="list-style-type: none"> ■ Pred zračenjem počakajte, da se trata posuši. |
| | <ul style="list-style-type: none"> ■ Globina je napačno nastavljena. | <ul style="list-style-type: none"> ■ Prilagodite globino zobcev, da dosežete želeni rezultat. |
| | <ul style="list-style-type: none"> ■ Zobci so obrabljeni ali poškodovani. | <ul style="list-style-type: none"> ■ Po potrebi zamenjajte zobce. |

GARANCIJA

GARANCIJSKA POLITIKA DRUŽBE EGO

Za popolne pogoje garancijske politike družbe EGO obiščite spletno mesto egopowerplus.eu.

SL

PERSKAITYKITE VISAS INSTRUKCIJAS!



PERSKAITYKITE NAUDOTOJO VADOVĄ

SAUGOS SIMBOLIAI

Saugos simbolių paskirtis – atkreipti dėmesį į galimus pavojus. Gerai susipažinkite su saugos simboliais bei jų paaiškinimais ir juos įsidėmėkite. Simbolių įspėjimai patys savaime negali apsaugoti nuo pavojų. Jais žymimi nurodymai ir įspėjimai neatstoja tinkamų nelaimingų atsitikimų prevencijos priemonių.

⚠ ĮSPĖJIMAS: Prieš pradėdami naudoti šį įrenginį, perskaitykite visus šiame naudotojo vadove pateiktus saugos nurodymus, įskaitant visus saugos įspėjamuosius simbolius, tokius kaip „PAVOJUS“, „ISPĖJIMAS“ ir „DĖMESIO“ bei įsitikinkite, ar viską gerai supratote. Nesilaikant visų toliau išdėstytų nurodymų galima patirti elektros smūgį, sukelti gaisrą ir (arba) sunkiai susižaloti.

SIMBOLIŲ REIŠMĖ

⚠ SAUGOS ĮSPĖJAMASIS SIMBOLIS: nurodo PAVOJŲ, ĮSPĖJIMĄ arba PERSPĖJIMĄ. Gali būti panaudotas su kitais simboliais arba piktogramomis.



⚠ ĮSPĖJIMAS: Bet koks įrenginys naudojimo metu gali išsviesti šiukšles, kurios gali pataikyti į akis ir sunkiai jas sužaloti. Prieš pradėdami naudoti įrenginį, visada užsidėkite apsauginius akinius arba apsauginius akinius su šonine apsauga ir, jei reikia, visą veidą dengiantį skydelį. Rekomenduojame naudoti platų matymo lauką užtikrinančią apsauginę kaukę, dedamą ant akinių, arba standartinius apsauginius akinius su šonine apsauga.

LT

SAUGOS NURODYMAI

Šiame puslapyje pavaizduoti ir aprašyti saugos simboliai, kurie gali būti nurodyti ant šio gaminio. Prieš bandydami surinkti ir naudoti įrenginį, perskaitykite visus ant jo pateiktus nurodymus, įsitikinkite, ar juos supratote, ir jais vadovaukitės.

| | | |
|---|--------------------------------------------------------------------------------|----------------------------------------------------------------------------------------------------------------------------------------|
| | Įspėjimas dėl saugos | Nurodo galimą susižalojimo pavojų. |
| | Perskaityti ir suprasti naudotojo vadovą. | Kad sumažintų susižalojimo pavojų, naudotojas turi perskaityti naudotojo vadovą ir įsitikinti, kad ją suprato. |
| | Užsidėti apsauginius akinius | Naudodami šį gaminį, visada užsidėkite apsauginius akinius arba apsauginius akinius su šonine apsauga ir visą veidą dengiantį skydelį. |
| | ĮSPĖJIMAS – saugotis išsviestų daiktų – neleisti artintis pašaliniams asmenims | Įspėja naudotoją saugotis išsviestų daiktų – neleisti artintis pašaliniams asmenims. |
| | PAVOJUS – nekišti rankų ir kojų | Įspėja naudotojus nekišti rankų ir kojų. |
| | ĮSPĖJIMAS – nekišti rankų ir kojų prie akėtvirbalių | Įspėja naudotoją nekišti rankų ir kojų prie akėtvirbalių. |
| | CE | Šis gaminys atitinka taikomas EB direktyvas. |
| | UKCA | Šis gaminys atitinka taikomas JK direktyvas. |
| | WEEE | Netinkamus naudoti elektrinius gaminius draudžiama išmesti kartu su buitinėmis atliekomis. Pristatyti įgaliotam perdirbėjui. |
| | Triukšmas | Garantuojamas garso galios lygis. Triukšmo sklaida į aplinką atitinka Europos Bendrijos direktyvą. |
| V | Voltai | Įtampa |

| | | |
|--------------------|-------------------------------------------------|----------------------------------------------------------------|
| | Nuolatinė srovė (DC) | Srovės tipas arba charakteristika |
| mm | Milimetrai | Ilgis arba dydis |
| kg | Kilogramai | Svoris |
| min. | Minutės | Laikas |
| n ₀ | Sūtkiai be apkrovos | Sukimosi greitis be apkrovos |
| min. ⁻¹ | Sūtkiai arba slankiojamieji judesiai per minutę | Sūtkiai, taktai, paviršinis greitis, orbitos ir kt. per minutę |
| sūk./min. | Sūtkiai per minutę | Sukimosi greitis |
| °C | Celsijaus laipsniai | Temperatūra |

⚠ ĮSPĖJIMAS: Kad būtų užtikrintas saugumas ir patikimumas, visus remonto darbus turi atlikti kvalifikuotas techninės priežiūros specialistas.

BENDRIEJI AKUMULIATORINIŲ ĮRENGINIŲ SAUGOS ĮSPĖJIMAI

⚠ ĮSPĖJIMAS: PERSKAITYKITE IR PERŽIURĖKITE VISUS ŠIUO ĮRENGINIŲ PATEIKTUS SAUGOS NURODYMUS, INSTRUKCIJAS, PAVEIKSLĖLIUS IR SPECIFIKACIJAS. Nesilaikant visų toliau išdėstytų nurodymų galima patirti elektros smūgį, sukelti gaisrą ir (arba) sunkiai susižaloti.

ĮSAUGOKITE VISAS INSTRUKCIJAS SU ĮSPĖJIMAIS, NES JŲ GALI PRIREIKTI ATEITYJE.

Įspėjimuose vartojamu terminu „įrenginys“ vadinamas iš elektros lizdo maitinamas (laidinis) arba akumuliatorinis įrenginys.

SAUGA DARBO VIETOJE

- Darbo vieta turi būti švari ir gerai apšviesta. Jei darbo vieta netvarkinga ar blogai apšviesta, gali įvykti nelaimingas atsitikimas.
- Nedirbkite su įrenginiu sprogoje aplinkoje, pvz., ten, kur yra degiųjų skysčių, dujų arba dulkių. Įrenginys kibirkščiuoja, o kibirkštys gali uždegti dulkes arba garus.

- Dirbdami su elektriniu įrenginiu, neieskite artintis vaikams ir pašaliniams asmenims. Dėl dėmesio blaškymo įrenginio galite nesuvaldyti.

ELEKTROSAUGA

- Elektrinio įrenginio kištukas turi tikti elektros lizdui. Niekada jokiais būdais kištuko neperdarykite. Su įžemintais elektriniais įrenginiais nenaudokite jokių kištuko adapterių. Originalūs kištukai, tiksliai tinkantys elektros tinklo lizdui, sumažina elektros smūgio pavojų.
- Nesilieskite prie įžemintų paviršių, pavyzdžiui, vamzdžių, radiatorių, viryklių ir šaldytuvų. Jei jūsų kūnas bus įžemintas, padidės elektros smūgio pavojus.
- Nenaudokite įrenginio lyjant ar drėgmės sąlygomis. Tai gali padidinti elektros smūgio pavojų.
- Atsargiai elkitės su maitinimo laidu. Niekada nenaudokite laido nešimui, traukimui arba įkroviklio atjungimui nuo maitinimo tinklo. Saugokite laidą nuo kaitros šaltinių, alyvos, aštrių briaunų ir judančių dalių. Pažeidus arba supainiojus laidus išauga pavojus patirti elektros smūgį.
- Kai su elektriniu įrenginiu dirbate lauke, naudokite laukui skirtą laido ilgintuvą. Naudojant laukui skirtą maitinimo laidą, sumažėja pavojus patirti elektros smūgį.
- Jei nėra galimybės išvengti elektrinio įrenginio naudojimo drėgnoje vietoje, naudokite maitinimo šaltinį, apsaugotą nuotėkio rele. Nuotėkio relė sumažina pavojų patirti elektros smūgį.

ASMENINĖ SAUGA

- Naudodami įrenginį būkite budrus, stebėkite, ką darote, ir vadovaukitės sveika nuovoka. Nedirbkite su įrenginiu, jei esate pavargę arba vartojote narkotikus, alkoholį ar medikamentus. Neatidumo akimirka dirbant su įrenginiais gali lemti sunkią traumą.
- Naudokite asmeninės apsaugos priemones. Visada būkite su apsauginiais akiniais. Atitinkamomis sąlygomis naudojamos apsaugos priemonės, pvz., respiratorius, neslidūs apsauginiai batai, šalmas arba ausinės, sumažina pavojų susižaloti.
- Apsisaugokite nuo atsitiktinio įjungimo. Prieš jungdami įrenginį prie maitinimo šaltinio ir (arba) sudėtinės baterijos, prieš įrenginį keldami arba nešdami įsitikinkite, kad jungiklis yra išjungimo padėtyje. Nešant elektrinius įrenginius uždejus pirštą ant jungiklio arba netyčia įjungiant įrenginį su įjungtu jungikliu, gali įvykti nelaimingas atsitikimas.
- Prieš įjungdami įrenginį patraukite į šalį visus reguliavimo raktus ir veržliarakčius. Įrenginio sukamojoje dalyje likus raktui ar veržliarakčiui galima susižaloti.

LT

- Nesistenkite pasiekti pernelyg toli. Visada stovėkite tvirtai ir išlaikykite pusiausvyrą. Taip geriau suvaldysite įrenginį netikėtose situacijose.
- Dėvėkite tinkamus drabužius. Nedėvėkite laisvų drabužių ir nenešiotkite laisvai kabančių papuošalų. Saugokite savo plaukus ir drabužius nuo judančių dalių. Laisvus drabužius, papuošalus ar ilgus plaukus gali įtraukti judančios dalys.
- Jei yra įtaisai, skirti dulkių išsiurbimo ir surinkimo įtaisams prijungti, tinkamai juos prijunkite ir naudokite. Naudojant dulkių surinkimo įtaisus, gali sumažėti su dulėmis susijusių pavojų.
- Net ir dažnai naudodami įrenginius, pernelyg savimi nepasitikėkite ir nepraraskite budrumo, laikykitės saugaus įrenginio naudojimo taisyklių. Užtenka akimirkos išsiblaškymo, kad dėl neatsargaus veiksmo sunkiai susižalotumėte.

ĮRENGINIO NAUDOJIMAS IR PRIEŽIŪRA

- Elektrinio įrenginio pernelyg nespauskite. Naudokite jūsų darbui tinkamą įrenginį. Veikdamas numatytoju greičiu, tinkamas įrenginys darbą atlieka veiksmingiau ir saugiau.
- Nenaudokite įrenginio, jeigu jo negalima įjungti ar išjungti jungikliu. Įrenginys, kurio jungiklis neveikia, yra pavojingas ir jį būtina sutaisyti.
- Prieš reguliuodami įrenginį, keisdami jo priedus arba padėdami jį į laikymo vietą, atjunkite kištuką nuo maitinimo šaltinio ir (arba) išimkite sudėtinę bateriją. Tokia saugumo priemonė apsaugos jus nuo netyčinio įrenginio įjungimo.
- Nenaudojamą įrenginį laikykite vaikams neprieinamoje vietoje ir neleiskite įrenginio naudoti asmenims, kurie nėra susipažinę su jo naudojimu ar šiomis instrukcijomis. Neapmokytų žmonių naudojami įrenginiai kelia pavojų.
- Vykdykite įrenginio ir priedų techninę priežiūrą. Patikrinkite, ar judančios dalys suderintos ir nestringa, ar nėra lūžusių dalių, ar nėra kitų sąlygų, galinčių turėti įtakos įrenginio veikimui. Jei įrenginys pažeistas, prieš naudodami jį sutaisykite. Dauguma nelaimingų atsitikimų įvyksta dėl prastai prižiūrimų įrenginių.
- Pjovimo įrenginiai turi būti aštrūs ir švarūs. Tinkamai prižiūrimi pjovimo įrenginiai su aštriais peiliais rečiau stringa ir lengviau valdomi.
- Įrenginį, priedus, antgalius ir kitas dalis naudokite pagal šią instrukciją, atsižvelgdami į darbo sąlygas ir atliekamą darbą. Naudojant įrenginį ne pagal paskirtį gali susidaryti pavojingos aplinkybės.

- Rankenos ir sugriebimo paviršiai turi būti sausi, švarūs ir neištepti alyva ar tepalu. Dėl slidžių rankenu ir laikymo paviršių įrenginį sunku saugiai valdyti ir jis gali išsprūsti netikėtomis aplinkybėmis.

AKUMULIATORINIO ĮRENGINIO NAUDOJIMAS IR PRIEŽIŪRA

- Kraukite naudodami tik gamintojo nurodytą įkroviklį. Įkroviklis, tinkamas vieno tipo sudėtinei baterijai, gali kelti gaisro pavojų, jei naudojamas su kito tipo sudėtine baterija.
- Įrenginius naudokite tik su jiems skirtomis sudėtinėmis baterijomis. Naudojant kitokias sudėtines baterijas gali kilti sužalojimų ir gaisro pavojus.
- Nenaudojama sudėtinė baterija turi būti laikoma atokiau nuo metalinių daiktų, tokių kaip sąvaržėlės, monetos, raktai, viny, varžtai ar kiti smulkūs metaliniai daiktai, galintys sujungti abu baterijos gnybtus. Įvykus trumpajam jungimui tarp baterijos gnybtų galima nusidegini ar gali kilti gaisras.
- Dėl netinkamų sąlygų iš baterijos gali ištekėti skystis – nelieskite jo. Skysčiai atsitiktinai patekus ant odos, nedelsiant nuplaukite vandeniu. Jeigu skysčio pateko į akis, kreipkitės ir į gydytojus. Iš baterijos ištekėjęs skystis gali dirginti arba nudeginti.
- Nenaudokite pažeistos ar modifikuotos baterijos ar įrenginio. Pažeistos ar modifikuotos baterijos gali kelti gaisro, sprogo ar sužalojimo pavojų.
- Sudėtinės baterijos ar įrenginio negalima deginti ar kaitinti. Bateriją deginant ar įkaitinus virš 130 °C ji gali sprogti.
- Laikykitės įrenginio ar sudėtinės baterijos įkrovimo instrukcijų ir juos kraukite nurodytame temperatūrų diapazone. Priešingu atveju galite sugadinti bateriją ar net sukelti gaisrą.

TECHNINĖ PRIEŽIŪRA

- Įrenginio techninę priežiūrą gali vykdyti tik kvalifikuotas specialistas, sugedusias dalis keičiantis tik originaliomis atsarginėmis dalimis. Taip užtikrinsite savo įrenginio saugą.
- Niekada neremontuokite sugadintų sudėtinių baterijų. Baterijas remontuoti gali tik gamintojas arba įgalioto techninės priežiūros centro specialistai.

ĮSPĖJIMAI DĖL VEJOS PURENTUVO NAUDOJIMO SAUGOS

- Nenaudokite įrenginio prastu oru, ypač esant žaibo pavojui. Laikantis šios taisyklės, sumažėja žaibo smūgio pavojus.

- Prieš pradėdami pjauti atidžiai patikrinkite, ar darbo zonoje nėra laukinių gyvūnų. Įrenginys darbo metu laukinius gyvūnus gali sužaloti.
- Atidžiai apžiūrėkite vietą, kurioje ketinate naudoti įrenginį, ir pašalinkite visus akmenis, pagalius, vielas, kaulus ir kitus pašalinius daiktus. Išsviesti daiktai gali sužaloti.
- Prieš naudodami įrenginį visada apžiūrėkite, ar akėtvirbaliai ir akėtvirbalių blokas nėra pažeisti. Susidėvėjusios ar pažeistos dalys didina pavojų susižaloti.
- Apsaugos turi būti pritvirtintos savo vietose. Apsaugos turi būti tvarkingos ir tinkamai sumontuotos. Atsilaisvinusi, pažeista arba netinkamai veikianti apsauga gali sukelti sužalojimą.
- Aušinimo oro įtraukimo angos turi būti neužkimštos šiukšlėmis. Dėl užsikimšusių oro įtraukimo angų ir šiukšlių įrenginys gali perkaisti arba kilti gaisro pavojus.
- Dirbdami su įrenginiu visada avėkite neslidžią apsauginę avalynę. Nedirbkite su įrenginiu basi ar avėdami atvirus sandalus. Taip sumažinsite kojų sužalojimo pavojų, joms prisilietus prie judančių akėtvirbalių.
- Dirbdami su įrenginiu visada mūvėkite ilgas kelnes. Neuždengus viso kūno išauga sužalojimo pavojus dėl išsviestų daiktų.
- Nenaudokite įrenginio šlapioje žolėje. Eikite, niekada nebėkite. Taip sumažinsite susižalojimo pavojų paslydus ir nukritus.
- Nedirbkite su įrenginiu labai stačiuose šlaituose. Taip sumažinsite susižalojimo pavojų nesuvaldžius įrenginio, paslydus ir nukritus.
- Dirbdami šlaituose visada tvirtai stovėkite ir pjaukite judėdami skersai šlaitų, o ne aukštyn ir žemyn, ir keisdami judėjimo kryptį būkite ypač atsargūs. Taip sumažinsite susižalojimo pavojų nesuvaldžius įrenginio, paslydus ir nukritus.
- Būkite itin atsargūs, kai einate atbulomis arba traukiate įrenginį link savęs. Visada stebėkite savo aplinką. Taip sumažinsite užkliuvimo pavojų darbo metu.
- Įrenginį laikykite tik už izoliuoto, laikymui skirto paviršiaus, nes akėtvirbaliai gali pažeisti paslėptą elektros laidą. Akėtvirbaliams pažeidus laidą, kurio teka elektros srovė, neizoliuotose metalinėse įrenginio dalyse taip pat gali atsirasti srovė, dėl kurios naudotojas gali patirti elektros smūgį.
- Nelieskite akėtvirbalių ir kitų pavojingų judančių dalių, kai jos vis dar juda. Taip sumažinsite pavojų susižaloti dėl judančių dalių.

- Šalindami įstrigusias šiukšles arba valydami įrenginį įsitinkite, kad visi maitinimo jungikliai yra išjungti, o sudėtinė baterija atjungta. Įrenginiui netikėtai įsijungus galite sunkiai susižaloti.

PAPILDOMI ĮSPĖJIMAI

- Naudokite tik su EGO elektrine galvute PH1400E / PH1420E / PHX1600.
PASTABA: Daugiau informacijos apie saugos taisykles ir naudojimo instrukcijas rasite savo EGO elektrinės galvutės PH1400E / PH1420E / PHX1600 naudojimo vadove.

IŠSAUGOKITE ŠIĄ INSTRUKCIJĄ

TECHNINIAI DUOMENYS

| | |
|---------------------------------------------------|-------------------------------------------|
| Maksimalus darbinis plotis | 355 mm |
| Greitis be apkrovos (su PH1420E) | Maži: 2600 suk./min. |
| | Dideli: 3000 suk./min. |
| Gylio reguliavimas | 3 padėtys |
| Kultivavimo gylis | 0 / 10 mm / 20 mm |
| Rekomenduojama darbo temperatūra | 0–40 °C |
| Rekomenduojama laikymo temperatūra | –20–70 °C |
| Išmatuotas garso galios lygis L_{WA} | 88 dB(A) K=2 dB(A) (PH1400E) |
| | 88,49 dB(A) K=0,81 dB (A) (PH1420E) |
| | 90 dB(A) K=0,9 dB (A) (PHX1600) |
| Garso slėgio lygis ties naudotojo ausimi L_{PA} | 82 dB(A) K=3 dB(A) (PH1400E) |
| | 79,8 dB(A) K=3 dB(A) (PH1420E) |
| | 82 dB(A) K=3 dB(A) (PHX1600) |

LT

| | | |
|----------------------------------------------------------------------------|----------------------------|--------------------------------------------------------------|
| Garantuojamas garso galios lygis L_{WA} (išmatuotas pagal 2000/14/EB) | | 92 dB(A) |
| Vibracijos vertė a_h | Priekinė pagalbinė rankena | 2,35 m/s ² K=1,5 m/s ² (PH1400E) |
| | | 2,36 m/s ² K=1,5 m/s ² (PH1420E) |
| | | 2,63 m/s ² K=1,5 m/s ² (PHX1600) |
| | Rear handle | 2,66 m/s ² K=1,5 m/s ² (PH1400E) |
| | | 2,24 m/s ² K=1,5 m/s ² (PH1420E) |
| | | 1,74 m/s ² K=1,5 m/s ² (PHX1600) |
| Svoris (su vejos purentuvo cilindru) | | 7,4 kg |

- Pirmiau nurodyti parametrai išbandyti ir išmatuoti naudojant elektrinę galvutę PH1400E/PH1420E/PHX1600.
- Nurodyta bendroji vibracijos vertė išmatuota taikant standartinį bandymo metodą, todėl pagal ją galima palyginti skirtingus įrankius.
- Nurodytą bendrąją vibracijos vertę taip pat galima naudoti pirminiam poveikio vertinimui.

⚠️ ĮSPĖJIMAS: Naudojant įrenginį realiomis sąlygomis, sklaidžiamos vibracijos stiprumo vertė gali skirtis nuo nurodytos. Kad apsaugotų dirbdamas realiomis sąlygomis, naudotojas turi mūvėti pirštines ir naudoti klausos apsaugos priemones.

⚠️ ĮSPĖJIMAS: Reikia nustatyti saugos priemones, skirtas apsaugoti naudotoją, kurios būtų pagrįstos poveikio įvertinimu faktinėmis naudojimo sąlygomis (atsižvelgiant į visas darbo ciklo dalis, pvz., laiką, kai įrenginys išjungtas ir kai jis veikia tuščiaja eiga, be paleidimo laiko).

APRAŠYMAS

SUŽINOKITE, KAIP VEIKIA VEJOS PURENIMO ĮTAISAS (A pav.)

1. Kamštelis (2)
2. Įtaiso kotas
3. Apatinis gaubtas
4. Ratukas
5. Apatinio gaubto blokas
6. Gylio reguliavimo svirtis
7. Deflektoriaus apsauga
8. Grandyklė
9. 4 mm šešiabriaunis raktas
10. 5 mm šešiabriaunis raktas
11. Grėbyklės akėtvirbalis
12. Vejos purentuvo cilindras

SURINKIMAS

⚠️ ĮSPĖJIMAS: Jei kurios nors dalys pažeistos arba jų nėra, nenaudokite šio gaminio tol, kol tos dalys nebus pakeistos. Naudojant gaminį su pažeistomis dalimis arba kai jų trūksta, galima sunkiai susižaloti.

⚠️ ĮSPĖJIMAS: Nebandykite keisti šio gaminio konstrukcijos arba naudoti priedus, kurie nėra rekomenduojami naudoti su šiuo gaminiu. Visi tokie pakeitimai laikomi netinkamu naudojimu ir gali sukelti pavojingas situacijas, kurių metu galite sunkiai susižaloti.

ĮTAISO KOTO PRIJUNGIMAS PRIE VEJOS PURENIMO BLOKO (B pav.)

| | | | |
|-----|--------------|-----|------------------|
| B-1 | M5 varžtas | B-4 | Anga |
| B-2 | Varžtas | B-5 | Srieginė anga |
| B-3 | Įtaiso kotas | B-6 | Apatinis gaubtas |

1. Paguldykite aperstą vejos purentuvo bloką ant stabilaus ir lygaus paviršiaus.
2. Nuo įtaiso koto priekinio galo nuimkite kamštelį.
3. Laikydami įtaiso kotą taip, kad jo anga būtų nukreipta į viršų, įkiškite kotą į apatinį įtaiso gaubtą ir stumkite iki galo. Sulygiuokite srieginę angą apatiniame gaubte su įtaiso koto anga.
4. Pridedamu 4 mm šešiabriauniu raktu ir M5 varžtu pritvirtinkite apatinį gaubtą prie įtaiso koto.
5. Šešiabriauniu raktu tvirtai priveržkite abu įsuktus varžtus prie apatinio gaubto.

⚠️ ĮSPĖJIMAS: Prieš paleisdami įrenginį patikrinkite, ar tvirtai priveržti visi trys varžtai, ir jo naudojimo metu periodiškai tikrinkite priveržimą, kad išvengtumėte sunkaus sužalojimo.

VEJOS PURENIMO ĮTAISO PRIJUNGIMAS PRIE ELEKTRINĖS GALVUTĖS

Šis vejos purenimo įtaisas yra skirtas naudoti su EGO elektrine galvute PH1400E / PH1420E / PHX1600.

Žr. „ĮTAISO TVIRTINIMAS PRIE ELEKTRINĖS GALVUTĖS“ skyrių elektrinės galvutės PH1400E / PH1420E / PHX1600 naudotojo vadove.

NAUDOJIMAS

⚠️ ĮSPĖJIMAS: Mokėjimas naudotis šiuo gaminiu nesuteikia teisės dirbti nerūpestingai. Atminkite, kad net akimirksniui atitraukę dėmesį galite sunkiai susižaloti.

⚠️ ĮSPĖJIMAS: Visada būkite su apsauginiais akiniais. Nesilaikant šio nurodymo į akis gali pataikyti išsviestos šiukšlės arba galite kitaip sunkiai susižaloti.

⚠️ ĮSPĖJIMAS: Kad išvengtumėte sunkių traumų, prieš vykdydami techninės priežiūros darbus, valydami, keisdami įtaisu arba šalinami šiukšles iš įrenginio išimkite sudėtinę bateriją.

⚠️ ĮSPĖJIMAS: Nenaudokite jokių papildomų įtaisų ar priedų, kurių nerekomendavo šio gaminio gamintojas. Naudojant nerekomenduojamus papildomus įtaisu ar priedus galima sunkiai susižaloti.

PRITAIKYMAS

Skirtas senoms, sudžiuvusioms žolės nuopjovoms, samanoms ir žolės ar šaknų likučiams iš vejų šalinoti.

VEJOS PURENTUVO PALEIDIMAS IR SUSTABDYMAS

Prieš pradėdami vejos purentuvą naudoti

⚠️ ĮSPĖJIMAS: Kad išvengtumėte sunkių traumų, dirbdami su šiuo įrenginiu visada dėvėkite apsauginius akinius. Dirbdami dulktėje aplinkoje, užsidėkite visą veidą dengiančią kaukę arba respiratorių. Dirbdami dėvėkite tinkamus drabužius ir avėkite tinkamą avalynę, kad sumažintumėte pavojų susižeisti dėl skraidančių daiktų.

- Prieš pradėdami dirbti kruopščiai patikrinkite įrenginį dėl pažeidimų. Nenaudokite pažeisto ar sudilusio įrenginio.
- Patikrinkite veją, ar joje nėra akmenų, pagalių, vielų ar kitų šiukšlių, kurios įrenginį galėtų sugadinti.
- Nupjaukite žolę prieš darbą ir patręškite po darbo.

Naudojimo patarimai

Kad pavasarį sveika veja galėtų vystytis, jos šaknims reikia daugiau oro. Rekomenduojame veją išpurenti bent du kartus per metus, pavasarį arba rudenį, priklausomai nuo jūsų vejos būklės.

- Dėl savo saugumo nedirbkite šlaituose, kurių nuolydis viršija 15 laipsnių. Visada dirbkite judėdami skersai šlaito, o ne kildami aukštyn ir leidamiesi žemyn. Būkite itin atsargūs, kai ant šlaito keičiate kryptį.
- Nedirbkite su šiuo įrenginiu drėgnoje vejoje, nes drėgna žolė limpa prie platformos ir akėtvirbalių, o taip pat galite paslysti ir nukristi.
- Laikykite įrenginį abiem rankomis. Rankenos turi būti sausos, kad būtų saugu į jas remtis.
- Lėtai stumkite įrenginį į priekį. Judėkite su įrenginiu tinkamu greičiu. Nestumkite per greitai, kad akėtvirbaliai neįstrigtų ir neviršytumėte maksimalios variklio apkrovos.
- Nedelsdami išjunkite įrenginį, jeigu į darbo zoną įžengia pašaliniai asmenys. Prieš palikdami įrenginį visada palaukite, kol jis visiškai sustos.
- Nepersidirbkite. Darykite reguliarias pertraukėles, kad galėtumėte susikaupti ties darbu ir suvaldytumėte įrenginį.
- Dirbdami judėkite taip, kad išpurentos vejos juostos šiek tiek persidengtų. Veiksmingiausias darbo modelis yra judėti tiesiomis linijomis pagal vieną iš šonų (C pav.). Tokiu būdu juostos išlieka tiesios, o visa veja išpurenama nepraleidžiant jokių jos plotų.
- Būkite ypač atsargūs keisdami kryptį.
- Visada užtikrinkite tinkamą stovėseną. Paslydus arba nugriuvus galima sunkiai susižaloti. Jeigu jaučiate, kad prarandate pusiausvyrą, nedelsdami išjunkite variklį.
- Nedirbkite arti skardžių, griovių arba pylimų, nes galite paslysti arba netekti pusiausvyros.

Vejos purenimo įtaiso paleidimas ir sustabdymas

Žr. skyrių „ELEKTRINĖS GALVUTĖS PALEIDIMAS IR SUSTABDYMAS“ elektrinės galvutės PH1400E / PH1420E / PHX1600 naudotojo vadove.

⚠️ ĮSPĖJIMAS: Sustabdykite įrenginį, kai jį reikia pakreipti ir perstumti per paviršių be žolės, ir kai stumiate įrenginį į arba iš naudojimo vietos.

⚠️ ĮSPĖJIMAS: Nepakreipkite įrenginio įjungdami variklį, išskyrus tuos atvejus, kai įrenginys turi būti pakreiptas norint jį paleisti. Minėtuju atveju pakelkite tik tiek, kiek tikrai reikia, ir kelkite tik tą dalį, kuri yra priešingoje pusėje, nei naudojotas.

Akėtvirbalių užsikimšimo tikrinimas

- Kad įrenginys neužsikimštų, kiekvieną kartą prieš jį naudodami ir po naudojimo išvalykite įrenginio apačią, kad pašalintumėte susikaupusias šiukšles.
- Įrenginiui užsikimšus sustabdykite variklį ir išimkite sudėtinę bateriją, o po to pašalinkite visas susikaupusias žoles ir lapus nuo akėtvirbalių ir platformos. Drėgnu skudurėliu įrenginį švariai nuvalykite.

GYLIO REGULIAVIMAS (D pav.)

⚠ ĮSPĖJIMAS: Kai reguliuojate purenimo gylį, nekiškite kojų prie įrenginio platformos.

Vejos purenimo gylį galima nustatyti į 3 gylio padėtis:

- 1 ir 2: darbinės padėtis
- 3: gabenimo padėtis

Vejos purenimo gylį nustatykite atsižvelgdami į savo vejos būseną.

1. Išjunkite įrenginį ir palaukite, kol jis visiškai sustos.
2. Išimkite sudėtinę bateriją.
3. Atkabinkite gylio reguliavimo svirtį iš įrantos ir nustatykite į norimą padėtį.

| | | | |
|-----|---------------------------|-----|---------------|
| D-1 | Gylio reguliavimo svirtis | D-2 | Gylio padėtis |
|-----|---------------------------|-----|---------------|

TECHNINĖ PRIEŽIŪRA

⚠ ĮSPĖJIMAS: Prieš įrenginį tikrindami, valydami ar vykdydami jo techninės priežiūros darbus, sustabdykite variklį ir palaukite, kol sustos visos judamos dalys, ir išimkite sudėtinę bateriją. Nesilaikydami šių nurodymų galite sunkiai ar net mirtinai susižaloti arba sugadinti turą.

⚠ ĮSPĖJIMAS: Visada užsidėkite apsauginius akinius su šonine apsauga. Nesilaikant šio nurodymo į akis gali pateikti išsviestos šiukšlės arba galite kitaip sunkiai susižaloti.

⚠ ĮSPĖJIMAS: Vykdydami techninės priežiūros darbus, naudokite tik identiškas atsargines dalis. Naudojant bet kokias kitas dalis gali kilti pavojus arba sugesti gaminys. Kad gaminys būtų saugus ir patikimas, visus šiuose techninės priežiūros nurodymuose neaprašytus remonto darbus turi atlikti kvalifikuotas techninės priežiūros technikas.

⚠ ĮSPĖJIMAS: Po atsirenkimo į kliūtį įrenginį sustabdykite, išimkite sudėtinę bateriją ir įsitinkinkite, kad visos judamos dalys visiškai sustojo. Prieš vėl paleisdami ir dirbdami su įrenginiu jį patikrinkite, ar nepažeistas, ir suremontuokite, jei reikia.

⚠ ĮSPĖJIMAS: Jei įrenginys pradeda neįprastai vibruoti, jį sustabdykite, išimkite sudėtinę bateriją ir įsitinkinkite, kad visos judamos dalys visiškai sustojo. Tuomet nedelsdami patikrinkite, ar įrenginys nepažeistas, ir pakeiskite arba suremontuokite pažeistas dalis; taip pat patikrinkite, ar nėra atsilaisvinusių dalių, ir jas priveržkite, jei reikia.

⚠ ĮSPĖJIMAS: Reguluodami įrenginį būkite atsargūs, kad pirštai neįstrigtų tarp judamų ir stacionarių įrenginio dalių.

VALYMAS

⚠ ĮSPĖJIMAS: Valydami vejos purenimo įtaisą, NIEKADA nemerkite jo į vandenį ar kitą skystį.

Plastikinių dalių nevalykite tirpikliais. Įvairūs komerciniai tirpikliai gali pažeisti įvairių tipų plastiką ir jų naudoti nerekomenduojama. Purvą, dulkes, alyvą, tepalus ir t. t. valykite švaria šluoste.

TEPIMAS

Visi šio įrenginio guoliai sutepti pakankamu aukštos kokybės tepimo priemonės kiekiu, kurio įprastomis darbo sąlygomis turi pakakti visam eksploataavimo laikotarpiui. Dėl to guolių daugiau tepti nereikia.

CILINDRO KEITIMAS

⚠ ĮSPĖJIMAS: Prieš vykdydami bet kokius įrenginio techninės priežiūros darbus, visada iš jo išimkite sudėtinę bateriją ir palaukite, kol akėtvirbalių cilindras visiškai sustos. Dirbdami su akėtvirbaliais visada mūvėkite apsaugines pirštines.

Cilindro nuėmimas

1. Nuo elektrinės galvutės nuimkite sudėtinę bateriją.
2. Paguldykite apverstą įtaisą ant lygaus ir stabilaus paviršiaus.
3. Pridedamu 5 mm šešiabriauniu raktu atsukite ir iš vejos parentuvo guolio lizdo ištraukite abu fiksavimo varžtus (E1 pav.).
4. Stumkite vejos parentuvo cilindrą į kairę, kol dešinėje pusėje esantis velenas su dantukais išlįs iš įrenginio movos su dantukais (E2 pav.).
5. Ištraukite vejos parentuvo cilindrą iš įrenginio (E3 pav.).

| | | | |
|------|----------------|------|---------------------------|
| E1-1 | Guolio lizdas | E1-2 | Vejos parentuvo cilindras |
| E2-1 | Suklio velenas | E2-2 | Suklio mova |

Naujo cilindro tvirtinimas

- Įstatykite naujo cilindro guolio lizdą į įrenginio pagrindą ir stumkite cilindrą iki galo į kairę (F1 pav.).
- Įtaikykite ir įstatykite veleną su dantukais dešinėje cilindro pusėje į įrenginio movą su dantukais (F2 pav.).
- Sulygiuokite abi guolio lizdo angas su angomis ant pagrindo ir fiksavimo varžtais pritvirtinkite guolio lizdą prie pagrindo (F3 pav.).

GRĖBYKLĖS AKĖTVIRBALIŲ KEITIMAS

Įprasto naudojimo metu, bėgant laikui, grėbyklės akėtvirbaliai gali sudilti arba nulūžti. Jei reguliuodami akėtvirbalių ilgį ir vejos purenimo gylį nepasiekiate norimo rezultato arba akėtvirbalis nulūžta, akėtvirbalius pakeiskite toliau nurodyta tvarka.

Akėtvirbalio nuėmimas

- Nuo elektrinės galvutės nuimkite sudėtinę bateriją.
- Paguldykite apverstą įtaisą ant lygaus ir stabilaus paviršiaus.
- Stumkite du grėbyklės akėtvirbalio kaištelių į 1 plyšį ant cilindro ir nuimkite akėtvirbalį nuo vejos purentuvo cilindro, kaip parodyta G paveikslėlyje.

| | | | |
|-----|-----------|-----|----------|
| G-1 | Kaištelis | G-2 | 1 plyšys |
|-----|-----------|-----|----------|

Grėbyklės akėtvirbalio tvirtinimas (H pav.)

- Įkiškite grėbyklės akėtvirbalio kaištelį į 1 plyšį ant cilindro (1 žingsnis).
- Įkiškite grėbyklės akėtvirbalio atramą į 2 plyšį ant cilindro (2 žingsnis).
- Įstatykite abu akėtvirbalio kaištelių į 1 plyšį, po to nustumkite į priekį iki 3 plyšio, ir abu kaišteliai automatiškai atšoks į savo vietas (žingsniai 3 ir 4).

| | | | |
|-----|-----------|-----|----------|
| H-1 | Kaištelis | H-2 | 1 plyšys |
| H-3 | 2 plyšys | H-4 | 3 plyšys |

GABENIMAS IR LAIKYMAS

- Nuo elektrinės galvutės nuimkite sudėtinę bateriją.
- Prieš padėdami įrenginį į laikymo vietą, visada leiskite jam atvėsti.
- Įrenginį kruopščiai nuvalykite, prieš padėdami į laikymo vietą.
- Laikykite įrenginį sausoje, gerai vėdinamoje, rakinamoje patalpoje arba aukštai, vaikams neprieinamoje vietoje. Nelaikykite įrenginio ant arba šalia trąšų, benzino ar kitų cheminių medžiagų.

APLINKOS APSAUGA



Neišmeskite elektros įrangos, panaudotų baterijų ir įkroviklio kartu su buitėmis atliekomis! Šias atliekas reikia pristatyti į jų surinkimo vietą ar įgaliotam perdirbėjui. Elektrinius įrenginius reikia grąžinti į tokių atliekų perdirbimo įmonę.



TRIKČIŲ ŠALINIMAS

| PROBLEMA | PRIEŽASTIS | SPRENDIMAS |
|---------------------------------------------------------------------|-----------------------------------------------------------------------------------------------------------------------------------------------------------------------------------------------------------------------------------------------|-------------------------------------------------------------------------------------------------------------------------------------------------------------------------------------------------------------------------------------------------------------------|
| Neįsijungia variklis. | <ul style="list-style-type: none">■ Sudėtinė baterija visiškai išsikrovusi.■ Netinkamai naudojamas blokuotės išjungiklis arba paleidimo jungiklis.■ Sudėtinė baterija ne iki galo įstatyta į baterijų skyrių. | <ul style="list-style-type: none">■ Įkraukite sudėtinę bateriją.■ Žr. elektrinės galvutės vadovo skyrių „ELEKTRINĖS GALVUTĖS PALEIDIMAS IR SUSTABDYMAS“.■ Patikrinkite, ar sudėtinė baterija tinkamai įstatyta į baterijų skyrių. |
| Įrenginys skleidžia neįprastus garsus. | <ul style="list-style-type: none">■ Šiuokšlės ar pašaliniai kliuviniai trukdo sukčiai akėtvirbaliams. | <ul style="list-style-type: none">■ Sustabdykite variklį, nuimkite sudėtinę bateriją ir pašalinkite šiuokšlės ar pašalinius kliuvinius, trukdančius įrenginiui tinkamai veikti. |
| Įrenginys veikia netinkamai arba nepatenkinami jo darbo rezultatai. | <ul style="list-style-type: none">■ Žolė per aukšta. | <ul style="list-style-type: none">■ Nupjaukite žolę prieš vejos purenimą. |
| | <ul style="list-style-type: none">■ Šlapios šiuokšlės prikimba prie platformos apačios. | <ul style="list-style-type: none">■ Prieš purendami veją palaukite, kol žolė išdžius. |
| | <ul style="list-style-type: none">■ Netinkamai nustatytas gylis. | <ul style="list-style-type: none">■ Sureguliuokite akėtvirbalių gylį, kad pasiektumėte norimą rezultatą. |
| | <ul style="list-style-type: none">■ Akėtvirbaliai nudilę ar pažeisti. | <ul style="list-style-type: none">■ Pakeiskite akėtvirbalius, kai reikia. |

GARANTIJA

EGO GARANTIJOS TAISYKLĖS

Norėdami sužinoti visas EGO garantijos sąlygas ir nuostatas, apsilankykite interneto svetainėje adresu egopowerplus.eu.

LT

IZLASIET VISUS NORĀDĪJUMUS!



IZLASIET LIETOTĀJA ROKASGRĀMATU

DROŠĪBAS APZĪMĒJUMI

Drošības apzīmējumi ir paredzēti, lai pievērstu jūsu uzmanību iespējamem apdraudējumiem. Pievērsiet uzmanību drošības apzīmējumiem un to skaidrojumiem un izprotiet tos. Brīdinājumu apzīmējumi paši par sevi nenovērš apdraudējumu. Tajos ietvertie norādījumu un brīdinājumi neaizstāj atbilstošu negadījumu novēršanas pasākumu īstenošanu.

⚠ BRĪDINĀJUMS: Pirms šīs mašīnas lietošanas izlasiet un izprotiet visus šajā lietotāja rokasgrāmatā iekļautos drošības norādījumus, tostarp visus drošības brīdinājuma apzīmējumus, piemēram, "BĪSTAMI", "BRĪDINĀJUMS" un "UZMANĪBU". Visu turpmāk uzskaitīto norādījumu neievērošana var izraisīt elektriskās strāvas triecienu, aizdegšanos un/vai smagus miesas bojājumus.

SIMBOLA NOZĪME

⚠ DROŠĪBAS BRĪDINĀJUMA APZĪMĒJUMS:

Norāda uz **BRIESMĀM, BRĪDINĀJUMU** vai aspektiem, kam jāpievērš **UZMANĪBA**. Var tikt izmantots kopā ar citiem apzīmējumiem vai piktogrammām.



⚠ BRĪDINĀJUMS! Jebkuras iekārtas lietošanas laikā acis var iekļūt svešķermeņi, kas var radīt smagu acu traumu. Pirms iekārtas ieslēgšanas vienmēr uzvelciet aizsargbrilles vai aizsargbrilles ar sānu aizsargiem un, ja



nepieciešams, pilnu sejas aizsargmasku. Iesakām izmantot aizsargmasku ar plašu skatu leņķi, ko uzvelk virs parastajām brillēm, vai arī standarta aizsargbrilles ar sānu aizsargiem.

DROŠĪBAS INSTRUKCIJA

Šajā lapaspusē ir parādīti un aprakstīti drošības apzīmējumi, kas var būt norādīti uz šī izstrādājuma. Pirms instrumenta montāžas un lietošanas izlasiet, izprotiet un ievērojiet visus uz instrumenta sniegtos norādījumus.

| | | |
|--|------------------------------------------------------------------------------------------------|----------------------------------------------------------------------------------------------------------------------------------------|
| | Drošības brīdinājums | Norāda uz iespējamu miesas bojājumu risku. |
| | Izlasiet un izprotiet lietotāja rokasgrāmatu | Lai mazinātu traumu rašanās bīstamību, pirms šī izstrādājuma lietošanas tā lietotājam jāizlasa un jāizprot lietošanas rokasgrāmata. |
| | Valkāt acu aizsarglīdzekļus | Šī izstrādājuma darbināšanas laikā vienmēr valkājiet aizsargbrilles vai aizsargbrilles ar sānu aizsargiem un pilnu sejas aizsargmasku. |
| | BRĪDINĀJUMS! Uzmanieties no atsviestiem priekšmetiem, neļaujiet tuvoties nepiederošām personām | Brīdina lietotāju par atsviestiem priekšmetiem – neļaut tuvoties nepiederošām personām. |
| | BĪSTAMI! Turiet rokas un kājas drošā attālumā | Brīdina lietotāju turēt rokas un kājas drošā attālumā. |
| | BRĪDINĀJUMS! Turiet rokas un kājas drošā attālumā no ecēšu tapām | Brīdina lietotāju turēt rokas un kājas drošā attālumā no ecēšu tapām. |
| | CE | Šis izstrādājums atbilst piemērojamām EK direktīvām. |
| | UKCA | Šis izstrādājums atbilst piemērojamai Apvienotās Karalistes tiesību aktiem. |
| | EEIA | Elektrisko izstrādājumu atkritumus nedrīkst izmest kopā ar sadzīves atkritumiem. Nogādājiet uz pilnvarotu pārstrādes punktu. |

LV

| | | |
|-----------------------------------------------------------------------------------|------------------------------------------------|-------------------------------------------------------------------------------------------------------|
|  | Troksnis | Garantētais skaņas intensitātes līmenis. Trokšņa emisija vidē atbilstoši Eiropas Kopienas direktīvai. |
| V | Volts | Spriegums |
|  | Līdzstrāva (DC) | Strāvas veids vai raksturojums |
| mm | Milimetrs | Garums vai izmērs |
| kg | Kilograms | Svars |
| min. | Minūtes | Laiks |
| n_0 | Apgriezienu skaits bez slodzes | Rotācijas ātrums bez slodzes |
| min. ⁻¹ | Apgriezieni vai turp/atpakaļ svārstības minūtē | Apgriezieni, sitienu, virsmas ātrums, orbītas utt. minūtē |
| RPM | Apgriezieni minūtē | Rotācijas ātrums |
| °C | Grādi pēc Celsija | Temperatūra |

⚠ BRĪDINĀJUMS! Lai garantētu drošu un uzticamu izstrādājuma darbību, visi remontdarbi jāveic kvalificētam servisa speciālistam.

LV

VISPĀRĪGI AR AKUMULATORU DARBINĀMU IEKĀRTU DROŠĪBAS BRĪDINĀJUMI

⚠ BRĪDINĀJUMS! IZLASIET VISUS ŠIS MAŠĪNAS DOKUMENTĀCIJĀ NORĀDĪTOS DROŠĪBAS BRĪDINĀJUMUS, NORĀDĪJUMUS, SPECIFIKĀCIJAS UN APLŪKOJIET ATTĒLUS. Visu turpmāk uzskaitīto norādījumu neievērošana var izraisīt elektriskās strāvas triecienu, aizdegšanos un/vai smagus savainojumus.

SAGLABĀJIET VISUS BRĪDINĀJUMUS UN INSTRUKCIJAS TURPMĀKAI ATSAUCEI.

Brīdinājumus lietotais termins „instruments” attiecas uz elektriski darbināmu instrumentu, kura barošanu nodrošina elektrotīkls (ar elektrokabēli) vai akumulators (bez elektrokabeļa).

DROŠĪBA DARBA ZONĀ

- **Uzturiet darba zonu tīru un labi apgaismotu.** Nesakārtotā un slikti apgaismotā darba zonā var notikt nelaimes gadījumi.
- **Turiet mašīnu aiz izolētām satvērējvirsmām, veicot darbības, kurās rakšanas piederums var saskarties ar slēptiem vadiem.** Instrumenti var radīt dzirksteles, kas var aizdedzināt putekļus vai tvaikus.
- **Neļaujiet bērniem un klātesošajiem atrasties instrumenta tuvumā, kamēr tas darbojas.** Apjukuma brīdī jūs varat zaudēt vadību pār ierīci.

ELEKTRODROŠĪBA

- **Instrumenta kontaktdakšai ir jāatbilst kontaktlīdždai. Nekad nekādā veidā nepārveidojiet kontaktdakšu. Neizmantojiet adaptera kontaktdakšas kopā ar iezemētiem instrumentiem.** Lietojot nepārveidotās kontaktdakšas un atbilstošas kontaktlīdžas, tiek samazināts elektriskās strāvas trieciena risks.
- **Nepieskarieties sazemētām virsmām, piemēram cauruļvadiem, radiatoriem, plītim un ledusskapjiem.** Ķermeņiem sazemējoties, tiek palielināts elektriskās strāvas trieciena risks.
- **Nedarbiniet iekārtu lietū vai mitros apstākļos.** Tas var palielināt elektriskās strāvas trieciena risku.
- **Nebojājiet strāvas vadu. Nekādā gadījumā nenesiet, nevelciet vai neatvienojiet instrumentu aiz strāvas vada. Sargājiet strāvas vadu no karstuma, eļļas, asām malām vai kustīgām daļām.** Bojāti vai sapinušies strāvas vadi palielina elektriskās strāvas trieciena risku.
- **Strādājot ar instrumentu ārpus telpām, izmantojiet tikai tādus pagarinātājus, kas ir paredzēti lietošanai ārpus telpām.** Āra darbiem paredzēta vada pagarinātāja izmantošana samazina elektriskās strāvas trieciena risku.
- **Ja tomēr mašīnas darbināšana mitrā vidē ir neizbēgama, izmantojiet ar zemslēguma ķēžu pārtraucēju (GFCI) aizsargātu avotu.** Izmantojot GFCI, tiek samazināts elektriskās strāvas trieciena risks.

PERSONĪGĀ DROŠĪBA

- **Izmantojot mašīnu, esiet modri, sekojiet līdzi savām darbībām un rīkojieties saprātīgi. Nelietojiet instrumentu, ja esat noguruši vai atrodaties apreibinošu vielu, alkohola vai medikamentu ietekmē.** Brīdis neuzmanības, darbojoties ar instrumentiem, var izraisīt smagus savainojumus.
- **Izmantojiet individuālos aizsarglīdzekļus. Vienmēr valkājiet acu aizsarglīdzekļus.** Ja tiek lietots darba specifiski atbilstošs aizsargaprīkojums, piemēram,

maska ar putekļu filtru, neslīdoši darba apavi, ķivere vai austiņas, samazinās traumu gūšanas risks.

- **Novērsiet nejausa ieslēgšanās iespējamību. Pirms mašīnas pievienošanas strāvas avotam un/vai akumulatoram pārlicinieties, ka slēdzis atrodas izslēgšanas pozīcijā.** Pārnēsājot mašīnu ar pirkstu uz slēdža vai iedarbinot iekārtot, kas jau ir ieslēgtā stāvoklī, var notikt nelaimes gadījums.
- **Pirms mašīnas ieslēgšanas noņemiet visas regulēšanas vai uzgriežņu atslēgas.** Uzgriežņu vai regulēšanas atslēga, kas palikusi piestiprināta pie instrumenta rotējošās daļas, var radīt savainojumus.
- **Nepārvērtējiet savas spējas. Ieņemiet pareizu stāju un vienmēr saglabāiet līdzsvaru.** Tas ļauj labāk kontrolēt instrumentu neparedzētās situācijās.
- **Valkājiet atbilstošu apģērbu. Nevalkājiet vaļīgu apģērbu vai rotaslietas. Sargājiet matus, apģērbu un cimdus no kustīgajām daļām.** Vaļīgs apģērbs, rotaslietas vai gari mati var iekerties iekārtas kustīgajās daļās.
- **Ja iekārtas ir paredzētas savienošanai ar putekļu nosūkšanas un savākšanas iekārtām, pārlicinieties, vai tās ir pieslēgtas un tiek izmantotas pareizi.** Putekļu savākšanas ierīču izmantošana var samazināt ar putekļiem saistītos apdraudējumus.
- **Nepieļaujiet, ka instrumenta bieža lietošana izraisa nevērīgu attieksmi darbā ar to, un neignorējiet ar instrumenta lietošanu saistītos drošības principus.** Viens brīdis neuzmanības var izraisīt nopietnas traumas.

MAŠĪNAS IZMANTOŠANA UN KOPŠANA

- **Nepiespiediet mašīnu ar spēku. Izmantojiet lietojuma nolūkam atbilstošu instrumentu.** Pareizais instruments nodrošinās labākus rezultātus un būs drošāks darba ātrumā, kuram tas ir paredzēts.
- **Nelietojiet instrumentu, ja slēdzis to neieslēdz un neizslēdz.** Instruments, ko nevar ieslēgt un izslēgt ar slēdži, ir bīstams un jāsalabo.
- **Pirms jebkādu pielāgojumu veikšanas, piederumu maiņas vai instrumenta novietošanas glabāšanā atvienojiet kontaktdakšu no barošanas avota un/vai izņemiet no instrumenta akumulatoru bloku, ja tas ir iespējams.** Šie drošības pasākumi palīdzēs izvairīties no nejausa instrumenta ieslēgšanas riska.
- **Ja instruments kādu laiku netiek lietots, uzglabājiet to bērniem nepieejamā vietā un neļaujiet ar instrumentu darboties personām, kas to nepārzina vai nav izlasījušas šo instrukciju.** Instrumenti ir bīstami, ja ar tiem darbojas neapmācīti lietotāji.

- **Uzturiet instrumentus un piederumus darba kārtībā. Pārbaudiet, vai kustīgās daļas nav zaudējušas savienojuma precizitāti, vai kāda detaļa nav salūzusi vai nav kāda cita kļūme, kas var ietekmēt mašīnas darbību.** Ja ir radušies bojājumi, pirms lietošanas lieciet salabot instrumentu. Daudzas nelaimes gadījumus izraisa slikti uzturētas mašīnas.
- **Griezējinstrumentiem jābūt asiem un tīriem.** Rūpīgi kopti griezējinstrumenti ar asām griezējmalām retāk iestrēgst un ir vieglāk vadāmi.
- **Lietojiet mašīnu, tās piederumus un uzgājus atbilstoši šiem norādījumiem, ņemot vērā darba apstākļus un veicamo uzdevumu.** Instrumenta lietošana neparedzētiem mērķiem var radīt bīstamu situāciju.
- **Rokturiem un satveršanas daļām jābūt sausām, tīrām un uz tām nedrīkst būt eļļa vai smērviela.** Ja rokturi un satveršanas daļas ir mitras, tās novērsīs drošu mašīnas vadāmību un kontroli neparedzētās situācijās.

AR AKUMULATORU DARBINĀMA INSTRUMENTA LIETOŠANA UN KOPŠANA

- **Uzlādējiet instrumentu tikai ar ražotāja noteikto lādētāju.** Lādētājs, kas paredzēts lietošanai tikai ar viena veida akumulatoru komplektu, var radīt aizdegšanās draudus, ja to izmanto kopā ar citu akumulatoru komplektu.
- **Lietojiet instrumentus kopā tikai ar tiem paredzētiem akumulatoriem.** Jebkura cita akumulatoru bloka lietošana var radīt traumu gūšanas un aizdegšanās risku.
- **Kad akumulatoru bloks netiek izmantots, neglabājiet to citu metāla priekšmetu, piemēram, papīra saspaužu, monētu, atslēgu, naglu, skrūvju vai citu sīku metāla priekšmetu, kas var veidot savienojumu starp spailēm, tuvumā.** Akumulatora spaiļu īsslēgums var izraisīt aizdegšanos vai ugunsgrēku.
- **Nepareizas rīcības gadījumā no akumulatora var izteciēt šķidrums; izvairieties no saskares ar to. Ja tas nejausi nokļuvis uz ādas, noskalojiet ar ūdeni.** Ja šķidrums iekļuvis acīs, nekavējoties meklējiet medicīnisko palīdzību. No akumulatora izkļuvušais šķidrums var izraisīt kairinājumu vai apdegumus.
- **Nelietojiet bojātu vai pārveidotu akumulatoru vai mašīnu.** Bojātu vai pārveidotu akumulatoru izmantošana var radīt neparedzamus apstākļus, kas rada aizdegšanās, sprādziena vai traumas gūšanas draudus.
- **Nepakļaujiet akumulatoru vai mašīnu uguns liesmu vai pārmērīgas temperatūras iedarbībai.** Uguns

LV

liesmu iedarbība vai temperatūra virs 130 °C var izraisīt sprādzienu.

- **Izpildiet visas uzlādēšanas instrukcijas un neuzlādējiet akumulatoru vai mašīnu ārpus instrukcijās norādītajām temperatūras vērtībām.** Ja iekārta tiek uzlādēta nepareizi vai tiek pārsniegtas instrukcijās norādītās uzlādēšanas temperatūras vērtības, akumulators var sabojāties un palielināt aizdegšanās risku.

SERVISS

- Jūsu instrumenta remontu drīkst veikt tikai kvalificēts speciālists, kas izmanto tikai identiskas rezerves daļas. Tādējādi tiek saglabāta instrumenta ekspluatācijas drošība.
- **Nekad neveiciet bojātam akumulatoru komplektam remontdarbus pašrocīgi.** Bojāta akumulatoru komplekta remontdarbus drīkst veikt tikai ražotājs vai pilnvaroti servisa darbinieki.

DROŠĪBAS BRĪDINĀJUMI DARBAM AR ZĻĀJA SKARIFIKATORU

- **Neizmantojiet mašīnu sliktos laikapstākļos, īpaši tad, ja pastāv zibens iespējamība.** Tas samazinās risku, ka ierīcei ekspluatācijas laikā var iespiert zibens.
- **Rūpīgi pārbaudiet, vai zonā, kur paredzēts izmantot iekārtu, nav savvaļas dzīvnieku.** Izmantošanas laikā iekārta var savainot savvaļas dzīvniekus.
- **Rūpīgi pārbaudiet zonu, kur paredzēts izmantot iekārtu, un aizvāciet visus akmeņus, zarus, vadus, kaulus un citus svešķermeņus.** Atsviestie priekšmeti var izraisīt miesas bojājumus.
- **Pirms mašīnas lietošanas vienmēr vizuāli pārbaudiet, vai zari un zaru bloks nav nolietojušies vai bojāti.** Nodilušas vai bojātas daļas palielina traumu gūšanas risku.
- **Aizsargiem jābūt uzstādītiem. Aizsargiem jābūt darba kārtībā un pareizi uzstādītiem.** Atskrūvējies, bojāts vai nepareizi funkcionējošs aizsargs var izraisīt miesas bojājumus.
- **Raugieties, lai visas dzesēšanas gaisa ieplūdes būtu tīras no gružiem.** Nosprostojušās gaisa ieplūdes atveres un gruži var izraisīt pārkaršanu vai aizdegšanās risku.
- **Izmantojot mašīnu, vienmēr valkājiet neslidošus un aizsargājošus apavus. Nestrādājiet ar mašīnu basām kājām vai sandalēs.** Tas samazina pēdu traumēšanas iespējamību, kas var rasties, saskaroties ar kustīgajiem zariem.

- **Izmantojot mašīnu, vienmēr valkājiet garas bikses.** Atklāta āda palielina izsviestu objektu radītu traumu iespējamību.
- **Nedarbiniet mašīnu mitrā zālē. Ejiet, nekad neskrīniet.** Tas samazina paslīdēšanas un nokrišanas iespējamību, kas var izraisīt miesas bojājumus.
- **Neizmantojiet iekārtu uz pārāk stāvām nogāzēm.** Tas samazina kontroles zaudēšanas, paslīdēšanas un krišanas risku, kas var izraisīt miesas bojājumus.
- **Strādājot uz nogāzēm, vienmēr ņemiet vērā savu stāju, vienmēr strādājiet vertikāli gar nogāzi, nevis augšup vai lejup pa nogāzi un ievērojiet īpašu piesardzību, mainot virzienu.** Tas samazina kontroles zaudēšanas, paslīdēšanas un krišanas risku, kas var izraisīt miesas bojājumus.
- **Esiet īpaši piesardzīgs(-a), stumjot iekārtu atpakaļgaitā, vai velkot to uz savu pusi. Jums ir vienmēr labi jāpārzina sava apkārtnē.** Tas samazina pakļūšanas risku mašīnas ekspluatēšanas laikā.
- **Turiet mašīnu tikai aiz izolētajām satveršanas virsmām, jo zari var saskarties ar apslēptiem vadiem.** Nonākot saskarē ar strāvu vadošu vadu, zari var radīt spriegumu mašīnas atklātajās metāla daļās un pakļaut operatoru elektriskās strāvas triecienam.
- **Nepieskarieties zariem un citām bīstamām kustīgajām daļām, kamēr tās nav pārstājušas kustēties.** Tas samazina kustīgo daļu izraisītu traumu risku.
- **Iztīrot iestrēgušo materiālu vai tīrot mašīnu, pārlicinieties, vai ir izslēgti visi barošanas slēdži un ir atvienots akumulatoru bloks.** Negaidītai ieslēgšanās var izraisīt nopietnus miesas bojājumus.

PAPILDU BRĪDINĀJUMI

- Izmantojiet tikai ar EGO instrumentgalvu PH1400E/PH1420E/PHX1600.
PIEZĪME! Detalizētus drošības noteikumus un lietošanas instrukcijas izlasiet savas EGO instrumentgalvas PH1400E/PH1420E/PHX1600 lietotāja rokasgrāmatā.

SAGLABĀJIET ŠOS NORĀDĪJUMUS

LV

SPECIFIKĀCIJAS

| | |
|---------------------------------------------------------------------------------|------------------------------------------|
| Maksimālais darba platums | 355 mm |
| Ātrums bez slodzes (ar PH1420E) | Apakšējā: 2600 APGR./MIN. |
| | Liels: 3000 APGR./MIN. |
| Dzīļuma regulēšana | 3 pozīcijas |
| Skarifikācijas dzīļums | 0 / 10 mm / 20 mm |
| Ieteicamā darba temperatūra | 0 °C – 40 °C |
| Ieteicamā uzglabāšanas temperatūra | -20 °C – 70 °C |
| Izmēritais skaņas intensitātes līmenis L_{WA} | 88 dB(A) K=2 dB(A) (PH1400E) |
| | 88,49 dB(A) K=0,81 dB(A) (PH1420E) |
| | 90 dB(A) K=0,9 dB(A) (PHX1600) |
| Trokšņa spiediena līmenis pie lietotāja auss L_{PA} | 82 dB(A) K=3 dB(A) (PH1400E) |
| | 79,8 dB(A) K=3 dB(A) (PH1420E) |
| | 82 dB(A) K=3 dB(A) (PHX1600) |
| Garantētais skaņas intensitātes līmenis L_{WA} (mērīts saskaņā ar 2000/14/EK) | 92 dB(A) |

| | | |
|------------------------------------------|---------------------------|--------------------------------------------------------------|
| Vibrācijas ietekmes novērtējums a_{hV} | Priekšējais palīgrokturis | 2,35 m/s ² K=1,5 m/s ² (PH1400E) |
| | | 2,36 m/s ² K=1,5 m/s ² (PH1420E) |
| | | 2,63 m/s ² K=1,5 m/s ² (PHX1600) |
| | Rear handle | 2,66 m/s ² K=1,5 m/s ² (PH1400E) |
| | | 2,24 m/s ² K=1,5 m/s ² (PH1420E) |
| | | 1,74 m/s ² K=1,5 m/s ² (PHX1600) |
| Svars (ar zālāja skarifikatora cilindru) | 7,4 kg | |

- Iepriekš minētie parametri ir pārbaudīti ir izmērīti kopā ar instrumentgalvu PH1400E/PH1420E/PHX1600.
- Norādītā vibrāciju kopējā vērtība ir izmērīta saskaņā ar standarta pārbaudes metodi un var tikt izmantota, lai salīdzinātu vairākus instrumentus.
- Deklarēto vibrāciju emisijas vērtību var arī lietot iepriekšējai vibrāciju iedarbības novērtēšanai.

⚠ BRĪDINĀJUMS! Vibrāciju emisijas faktiskajā iekārtas lietošanas laikā var atšķirties no deklarētās vērtības. Lai pasargātu operatoru, lietotājam jāvalkā cimdi un dzirdes aizsarglīdzekļi atbilstoši faktiskajiem darba apstākļiem.

⚠ BRĪDINĀJUMS! Jānosaka drošības pasākumi operatora aizsardzībai, kuru pamatā ir iedarbības novērtējums faktiskajos lietošanas apstākļos (ņemot vērā visas darbības cikla daļas, piemēram, laikus, kad mašīna ir izslēgta un kad tā darbojas tukšgaitā papildus aktivizēšanas slēdža nospiešanas laikam).

APRAKSTS

PĀRZINIET SAVU ZĀLĀJA SKARIFIKATORU (A att.)

1. Uzgalis (2)
2. Piestiprināmais kāts
3. Apakšējā daļa
4. Ritenis
5. Augšējais vāciņš

LV

6. Dzijuma regulēšanas svira
7. Deflektora aizsargs
8. Skrāpis
9. 4 mm sešstūra atslēga
10. 5 mm sešstūra atslēga
11. Grābekļa zars
12. Zālāja skarifikatora cilindrs

MONTĀŽA

▲ BRĪDINĀJUMS! Ja kāda daļa ir bojāta vai trūkst, nedarbiniet šo izstrādājumu, kamēr nav nomainīta bojātā daļa. Darbinot šo izstrādājumu ar bojātām vai trūkstošām daļām, varat gūt smagus miesas bojājumus.

▲ BRĪDINĀJUMS! Nemēģiniet pārveidot šo izstrādājumu vai izveidot piederumus, kas nav ieteicami lietošanai kopā ar šo izstrādājumu. Jebkādi šādi uzlabojumi vai pārveidojumi ir uzskatāmi par neatbilstošiem lietošanai un var radīt bīstamus apstākļus, kas var izraisīt smagas traumas.

PIESTIPRINĀMĀ KĀTA SAVIENOŠANA AR ZĀLĀJA SKARIFIKATORU (B attēls)

| | | | |
|-----|----------------------|-----|------------------|
| B-1 | 5M bultskrūve | B-4 | Montāžas caurums |
| B-2 | Bultskrūve | B-5 | Skrūves caurums |
| B-3 | Piestiprināmais kāts | B-6 | Apakšējā daļa |

1. Nolieciet zālāja skarifikatoru uz stabilas un līdzenas virsmas un apgrieziet otrādi.
2. Noņemiet uzgali no piestiprināmā kāta priekšējā gala.
3. Tā kā atvere uz piestiprināmā kāta ir vērsta uz augšu, piestiprināmo kātu agregāta apakšējā pārsegā līdz galam. Salāgojiet skrūves caurumiņu apakšējā pārsegā ar caurumiņu uz piestiprināmā kāta.
4. Izmantojot komplektācijā iekļauto 4 mm sešstūra atslēgu, pieskrūvējiet apakšējo pārsegu pie piestiprināmā kāta ar M5 skrūvi.
5. Izmantojot sešstūra atslēgu, stingri pievelciet abas iepriekš uzstādītās skrūves apakšējā pārsegā.

▲ BRĪDINĀJUMS! Pirms instrumenta iedarbināšanas pārļiecinieties, vai visas trīs bultskrūves ir pilnībā pieskrūvētas; lai izvairītos no nopietniem miesas bojājumiem, periodiski pārbaudiet, vai tā ir stingri pieskrūvēta.

ZĀLĀJA SKARIFIKATORA PIESTIPRINĀŠANA INSTRUMENTGALVAI

Šis zālāja skarifikators ir paredzēts lietošanai kopā ar EGO instrumentgalvu PH1400E/PH1420E/PHX1600.

Skatiet instrumentgalvas PH1400E/PH1420E/PHX1600 lietotāja rokasgrāmatā sadaļu „PIERĪCES PIESTIPRINĀŠANA INSTRUMENTGALVAI”.

DARBĪBA

▲ BRĪDINĀJUMS! Saglabājiet modrību visu izstrādājuma lietošanas laiku. Neaizmirstiet, ka pat mirkļus neuzmanības var izraisīt nopietnu traumu.

▲ BRĪDINĀJUMS! Vienmēr valkājiet acu aizsarglīdzekļus. Šo noteikumu neievērošanas rezultātā acīs var nonākt svešķermeņi vai arī jūs varat gūt citas smagas traumas.

▲ BRĪDINĀJUMS! Lai izvairītos no miesas bojājumiem, pirms mašīnas apkopes vai tīrīšanas darbu veikšanas, papildierīču nomaiņas vai ūdens izliešanas no tās, izņemiet no iekārtas akumulatoru bloku.

▲ BRĪDINĀJUMS! Nelietojiet palīgierīces vai piederumus, ko nav ieteicis šī izstrādājuma ražotājs. Šādu neapstiprinātu palīgierīču vai piederumu lietošana var radīt nopietnus ievainojumus.

LIETOJUMS

No zālieniem noņemiet vecos, izžuvušos spraudņus, sūnas, zāles vai sakņu paliekas.

ZĀLĀJA SKARIFIKATORA IESLĒGŠANA/APTURĒŠANA

Pirms zālāja skarifikatora lietošanas

▲ BRĪDINĀJUMS! Lai nepieļautu smagas traumas rašanos, lietojot šo mašīnu, vienmēr izmantojiet aizsargbrilles. Puteklainā vidē lietojiet sejas vai putekļu masku. Darba laikā valkājiet piemērotu apģērbu un apavus, lai samazinātu traumu risku, ko var radīt lidojošas atlūzas.

- Pirms lietošanas rūpīgi pārbaudiet, vai mašīna nav bojāta. Nelietojiet mašīnu, ja tā ir bojāta vai nolietojusies.
- Pārbaudiet, vai zālieni nav akmeņu, zaru, stieņu vai citu priekšmetu, kas varētu radīt bojājumus mašīnai.
- Pirms darba uzsākšanas noņaujiet zāli un mēslojiet beigās.

Padomi mašīnas lietošanā

Lai pavasarī augtu veselīgs zāliens, zāles sakņu sistēmā ir

jāiekļūst lielākam gaisa daudzumam. Mēs iesakām zālienu skarificēt vismaz divas reizes gadā,— pavasarī vai rudenī, atkarībā no zāliena stāvokļa.

- Jūsu drošībai nestrādājiet slīpumā, kas lielākas par 15 grādiem. Strādājiet tikai šķērsām pret nogāzi, bet nekad uz augšu un uz leju. Esiet īpaši uzmanīgs(-a), kad maināt virzienu, atrodoties slīpumā.
- Nestrādājiet ar šo mašīnu uz slapja zāliena, jo slapja zāle mēdz pielipt pie korpusa un zariem, kā arī var izraisīt paslīdēšanu un nokrišanu.
- Turiet mašīnu ar abām rokām. Uzturiet rokturus sausus, lai nodrošinātu drošu atbalstu.
- Lēnām stumiet mašīnu uz priekšu. Pārvietojiet mašīnu atbilstošā ātrumā. Nepārvietojiet to pārāk ātri, lai novērstu zaru iestrēgšanu un motora pārslodzi.
- Nekavējoties izslēdziet mašīnu, ja darba zonā ienāk kāds cilvēks. Vienmēr uzgaidiet, kamēr mašīna pilnībā apstājas, pirms to noliekat zemē.
- Nepārslogojiet. Regulāri ievērojiet pārtraukumus, lai varētu labāk koncentrēties uz darbu un pilnībā kontrolēt mašīnas darbību.
- Strādājiet rindās, kas nedaudz pārkļājas. Visefektīvākais raksts ir taisnas līnijas gar vienu no malām (C attēls). Saglabā rindas līdzenu un nodrošina visa zāliena apstrādi, nepalaižot garām nevienu vietu.
- Pievērsiet īpašu uzmanību, mainot virzienu.
- Vienmēr ieturiet stabilu stāju. Paslīdēšana un pakļūšana var izraisīt nopietnas traumas. Ja jūtat, ka zaudējat līdzsvaru, nekavējoties izslēdziet motoru.
- Nestrādājiet tuvu pie nomalēm, grāvjiem, vai aizsprostiem; šādi jūs varat zaudēt līdzsvaru.

Zālāja skarifikatora ieslēgšana/apturēšana

Skatiet instrumentgalvas PH1400E/PH1420E /PHX1600 lietotāja rokasgrāmatā sadaļu „**INSTRUMENTGALVAS IEDARBINĀŠANA/APTURĒŠANA**”.

⚠ BRĪDINĀJUMS! Apturiet mašīnu, ja tā ir jāsasver pārvietošanas nolūkā, šķērsojot citas virsmas, kas nav zāle, vai arī tās pārvešanai uz darba zonu un no tās.

⚠ BRĪDINĀJUMS! Motora iedarbināšanas laikā nedrīkst sasvērt mašīnu, izņemot gadījumus, kad mašīna ir jāsasver iedarbināšanai. Šādā gadījumā nesasveriet mašīnu vairāk, nekā tas ir absolūti nepieciešams, un paceliet tikai to daļu, kas atrodas tālāk no operatora.

Pārbaudiet, vai zari nav iestrēguši

- Lai zari neiestrēgtu, pirms un pēc katras lietošanas reizes notīriet mašīnas korpusa apakšpusi, lai noņemtu visus uzkrājušos grūzus.

- Iestrēgušu zaru gadījumā apturiet mašīnu un izņemiet akumulatorus, pēc tam iztīriet visu zāli un lapas, kas sakrājušās uz zariem vai ap tiem. Noslaukiet mašīnu ar mitru lupatiņu.

DZIJUMA REGULĒŠANA (D attēls)

⚠ BRĪDINĀJUMS! Augstuma regulēšanas laikā kājam jāatrodas drošā attālumā no mašīnas.

Skarifikācijas dziļumam var iestatīt 3 dziļuma pozīcijas:

1 un 2: darbības pozīcija

3: transportēšanas pozīcija

Noregulējiet dziļumu atbilstoši zāliena vajadzībām.

1. Izslēdziet mašīnu un pagaidiet, līdz tā pilnībā apstājas.
2. Izņemiet akumulatoru bloku.
3. Izvelciet dziļuma regulēšanas sviru no fiksatora un iestatiet vēlamajā pozīcijā.

| | | | |
|-----|---------------------------|-----|------------------|
| D-1 | Dziļuma regulēšanas svira | D-2 | Dziļuma pozīcija |
|-----|---------------------------|-----|------------------|

APKOPE

⚠ BRĪDINĀJUMS! Pirms mašīnas pārbaudīšanas, tīrīšanas vai apkopes darbu veikšanas apturiet motoru, pagaidiet, līdz apstājas visas kustīgās daļas, un izņemiet akumulatora bloku. Šo norādījumu neievērošana var radīt smagus miesas bojājumus vai kaitējumu īpašumam.

⚠ BRĪDINĀJUMS! Vienmēr valkājiet aizsargbrilles ar sānu aizsargiem. Pretējā gadījumā acis var tūpīt svešķermeņi un radīt smagas traumas.

⚠ BRĪDINĀJUMS! Veicot apkopi, izmantojiet tikai identiskas rezerves daļas. Jebkuru citu daļu izmantošana var radīt apdraudējumu vai izstrādājuma bojājumus. Lai instrumenta darbība būtu droša un uzticama, visus izstrādājumu remontdarbus, izņemot šajās apkopes instrukcijās norādītos, veic kvalificēts servisa speciālists.

⚠ BRĪDINĀJUMS! Apturiet mašīnu un izņemiet akumulatoru bloku, lai pārlicinātos, ka visas kustīgās daļas ir pilnībā apstājušās pēc trieciena ar svešķermeņi. Pēc tam pārbaudiet, vai mašīna nav bojāta, un nepieciešamības gadījumā veiciet remontdarbus pirms mašīnas atkārtotas iedarbināšanas un ekspluatācijas.

⚠ BRĪDINĀJUMS! Ja mašīna sāk neparasti vibrēt, apturiet to un izņemiet akumulatoru bloku, lai pārlicinātos, ka visas kustīgās daļas ir pilnībā apstājušās. Pēc tam nekavējoties pārbaudiet, vai tai nav radušies bojājumi, nomainiet vai salabojiet visas bojātās daļas, kā arī pārbaudiet un pieskrūvējiet visas atskrūvējušās daļas.

⚠ BRĪDINĀJUMS! Mašīnas regulēšanas darbu laikā rīkojieties uzmanīgi, lai starp kustīgajām un fiksētajām daļām neiespiestu pirkstus.

TĪRĪŠANA

⚠ BRĪDINĀJUMS! Skarifikācija laikā zālāja skarifikatoru NEDRĪKST iemērt ūdenī vai kādā citā šķidrumā.

Plastmasas detaļu tīrīšanai neizmantojiet šķīdinātājus. Vairums plastmasu ir uzņēmīgas pret dažāda veida komerciālu šķīdinātāju radītiem bojājumiem un, tos izmantojot, var tikt sabojātas. Lai notīrītu netīrumus, putekļus, eļļu, smērvielas u.c., izmantojiet tīras lupatiņas.

ELĻOŠANA

Visi šīs mašīnas gultņi ir ieeļļoti, izmantojot pienācīgu augstvērtīgas smērvielas daudzumu, ar kuru pietiek visam mašīnas darbūžam, lietojot to normālos darbības apstākļos. Tāpēc gultņiem nav nepieciešama papildu eļļošana.

CILINDRA NOMAIŅA

⚠ BRĪDINĀJUMS! Pirms jebkādu apkopes darbu veikšanas vienmēr izņemiet akumulatoru no mašīnas un pagaidiet, līdz zaru cilindrs pilnībā apstājas. Strādājot ar zariem, vienmēr valkājiet aizsargcimdus.

Cilindra noņemšana

1. Izņemiet no instrumentgalvas akumulatora bloku.
2. Novietojiet piederumu otrādi uz līdzenas un stabilas virsmas.
3. Izmantojiet komplektā iekļauto 5 mm sešstūra atslēgu, lai atskrūvētu un izņemtu abas bloķēšanas skrūves no zālāja skarifikatora cilindra gultņa ligzdas (E1 attēls).
4. Spiediet zālāja skarifikatoru pa kreisi, līdz rievotais kāts iznāk laukā no mašīnas rievotās rumbas labajā galā (E2 attēls).
5. Zālāja skarifikatora cilindra izņemšana no mašīnas (E3 attēls).

| | | | |
|------|---------------|------|-------------------------------|
| E1-1 | Gultņa ligzda | E1-2 | Zālāja skarifikatora cilindrs |
| E2-1 | Darbvārpsta | E2-2 | Kāta rumba |

Jauna cilindra uzstādīšana

1. Ievietojiet jaunā cilindra gultņa ligzdu mašīnas pamatnē un iespiediet cilindru pa kreisi līdz galam (F1 attēls).
2. Izlīdziniet un ievietojiet darbvārpstu cilindra labajā pusē mašīnas rievotajā rumbā (F2. attēls).

3. Salāgojiet abus caurumiņus gultņa ligzdā ar pamatnes caurumiņiem, nostipriniet gultņa ligzdu pie pamatnes ar bloķēšanas skrūvēm (F3 attēls).

GRĀBEKĻA ZARU NOMAIŅA

Normālos lietošanas apstākļos grābekļa zari ar laiku var nolietoties vai salūzt. Ja zaru dziļuma regulēšana vairs nenodrošina pareizu skarifikācijas apjomu, vai ja zars saplīst, veiciet tālāk norādītās darbības, lai nomainītu zarus.

Zara izņemšana

1. Izņemiet no instrumentgalvas akumulatora bloku.
2. Novietojiet piederumu otrādi uz līdzenas un stabilas virsmas.
3. Piespiediet abas grābekļa zaru tapas uz cilindra atveres 1 un noņemiet grābekļa zaru no zālāja skarifikatora cilindra, kā tas parādīts G attēlā.

| | | | |
|-----|-------|-----|----------|
| G-1 | Tapas | G-2 | Atvere 1 |
|-----|-------|-----|----------|

Grābekļa zara uzstādīšana (H att.)

1. Ievietojiet grābekļa zara tapu cilindra atverē 1 (1. darbība).
2. Ievietojiet grābekļa zara ligzdu cilindra atverē 2 (2. darbība).
3. Ievietojiet abas zaru tapas atverē 1, pabīdiet uz priekšu līdz atverei 3, un abas tapas automātiski nofiksēsies savā vietā (3. un 4. darbība).

| | | | |
|-----|----------|-----|----------|
| H-1 | Tapas | H-2 | Atvere 1 |
| H-3 | Atvere 2 | H-4 | Atvere 3 |

TRANSPORTĒŠANA UN UZGLABĀŠANA

- Izņemiet no instrumentgalvas akumulatora bloku.
- Pirms novietošanas uzglabāšanā vienmēr ļaujiet mašīnai atdzist.
- Pirms novietošanas uzglabāšanā rūpīgi notīriet mašīnu.
- Uzglabājiet mašīnu sausā, labi vēdināmā, aizslēdzamā vai augstā — bērniem nepieejamā — vietā. Neuzglabājiet mašīnu blakus mēslojumam, benzīnam vai citām ķīmikālijām.

APKĀRTĒJĀS VIDES AIZSARDŽĪBA



Neutilizējiet elektrisko aprīkojumu, izlietoto akumulatoru un lādētāju sadzīves atkritumos! Nogādājiet šo produktu uz pilnvarotu pārstrādes punktu un sagatavojiet atkritumu šķirošanai. Elektriskās iekārtas ir jānogādā videi nekaitīgā pārstrādes rūpnīcā.

PROBLĒMU MEKLĒŠANA UN NOVĒRŠANA

| PROBLĒMA | CĒĻONIS | RISINĀJUMS |
|----------------------------------------------------------|--------------------------------------------------------------------------------------------------------------------------------------------------------------------------------------------------------------------------------------------------|----------------------------------------------------------------------------------------------------------------------------------------------------------------------------------------------------------------------------------------------------------------------------------------------------|
| Nedarbojas motors. | <ul style="list-style-type: none"> ■ Akumulatoru komplekts ir izlādējies. ■ Atbloķēšanas poga vai sprūda slēdzis netika izmantoti pareizi. ■ Akumulatoru bloks nav ievietots akumulatora nodalījumā līdz galam. | <ul style="list-style-type: none"> ■ Uzlādējiet akumulatoru komplektu. ■ Skatiet instrumentgalvas lietotāja rokasgrāmatā sadaļu „INSTRUMENTGALVAS IESLĒGŠANA/APTURĒŠANA”. ■ Pārbaudiet, vai akumulatoru bloks ir pilnībā ievietots akumulatora nodalījumā. |
| Mašīna rada neparastus trokšņus. | <ul style="list-style-type: none"> ■ Gruži vai svešķermeņi traucē mašīnas zaru kustību. | <ul style="list-style-type: none"> ■ Apturiet motoru, izņemiet akumulatoru un notīriet zāli vai svešķermeņus, kas neļauj mašīnai darboties pareizi. |
| Mašīna nedarbojas pareizi vai rezultāti nav apmierinoši. | <ul style="list-style-type: none"> ■ Zāle ir pārāk gara. | <ul style="list-style-type: none"> ■ Nopļaujiet zālienu pirms skarificēšanas. |
| | <ul style="list-style-type: none"> ■ Slapja zāle pielipusi pie platformas apakšpusēs. | <ul style="list-style-type: none"> ■ Pagaidiet, kamēr nožūst zāle, un tikai tad sāciet skarificēšanu. |
| | <ul style="list-style-type: none"> ■ Dziļums iestatīts nepareizā iestatījumā. | <ul style="list-style-type: none"> ■ Noregulējiet zaru dziļumu, lai sasniegtu vēlamu rezultātu. |
| | <ul style="list-style-type: none"> ■ Nomainiet nodilušos vai bojātos zarus. | <ul style="list-style-type: none"> ■ Ja nepieciešams, nomainiet zarus. |

GARANTIJA

EGO GARANTIJAS POLITIKA

Lūdzam apmeklēt tīmekļa vietni egopowerplus.eu, kur pieejama pilna EGO garantijas politikas noteikumu un nosacījumu versija.

LV

ΔΙΑΒΑΣΤΕ ΟΛΕΣ ΤΙΣ ΟΔΗΓΙΕΣ!



ΔΙΑΒΑΣΤΕ ΤΟ ΕΓΧΕΙΡΙΔΙΟ ΧΡΗΣΗΣ

ΣΥΜΒΟΛΑ ΑΣΦΑΛΕΙΑΣ

Ο σκοπός των συμβόλων ασφαλείας είναι να σας επιστήσουν την προσοχή σε ενδεχόμενους κινδύνους. Λαμβάνετε υπόψη και εξοικειωθείτε με τα σύμβολα ασφαλείας και τις επεξηγήσεις που τα συνοδεύουν. Τα σύμβολα προειδοποίησης από μόνα τους δεν εξαλείφουν κανέναν κίνδυνο. Οι οδηγίες και οι προειδοποιήσεις που παρέχουν δεν υποκαθιστούν τα ενδεδειγμένα μέτρα πρόληψης ατυχημάτων.

⚠️ ΠΡΟΕΙΔΟΠΟΙΗΣΗ: Βεβαιωθείτε ότι έχετε διαβάσει και κατανοήσει όλες τις οδηγίες ασφαλείας στο παρόν εγχειρίδιο χρήσης, συμπεριλαμβανομένων όλων των συμβόλων ασφαλείας, όπως «**ΚΙΝΔΥΝΟΣ**», «**ΠΡΟΕΙΔΟΠΟΙΗΣΗ**» και «**ΠΡΟΣΟΧΗ**», προτού να χρησιμοποιήσετε αυτό το μηχάνημα. Η μη τήρηση όλων των παρακάτω οδηγιών μπορεί να οδηγήσει σε ηλεκτροπληξία, πυρκαγιά και/ή σοβαρό τραυματισμό.

ΕΠΕΞΗΓΗΣΗ ΣΥΜΒΟΛΩΝ

⚠️ ΣΥΜΒΟΛΟ ΠΡΟΕΙΔΟΠΟΙΗΣΗΣ ΑΣΦΑΛΕΙΑΣ: Υποδηλώνει **ΚΙΝΔΥΝΟ**, **ΠΡΟΕΙΔΟΠΟΙΗΣΗ** ή **ΠΡΟΣΟΧΗ**. Μπορεί να χρησιμοποιείται σε συνδυασμό με άλλα σύμβολα ή εικονογράμματα.



⚠️ ΠΡΟΕΙΔΟΠΟΙΗΣΗ: Η λειτουργία οποιουδήποτε μηχανήματος μπορεί να προκαλέσει την εκτόξευση ξένων αντικειμένων στα μάτια σας, με αποτέλεσμα σοβαρό τραυματισμό των ματιών. Προτού ξεκινήσετε τη χρήση

του μηχανήματος, φοράτε πάντα προστατευτικά γυαλιά ή γυαλιά με πλευρική προστασία και, εφόσον απαιτείται, πλήρη προστατευτική προσωπίδα. Συνιστούμε μια προσωπίδα ασφαλείας ευρείας όρασης, για χρήση πάνω από γυαλιά ή τα συνήθη προστατευτικά γυαλιά με πλευρική προστασία.

ΟΔΗΓΙΕΣ ΑΣΦΑΛΕΙΑΣ

Αυτή η σελίδα απεικονίζει και περιγράφει τα σύμβολα ασφαλείας που ενδέχεται να εμφανιστούν επάνω στο προϊόν. Διαβάστε, κατανοείτε και τηρείτε όλες τις οδηγίες στη μηχανή, προτού επιχειρήσετε να τη συναρμολογήσετε και να τη χρησιμοποιήσετε.

| | | |
|--|-----------------------------------------------------------------------------------------------|--------------------------------------------------------------------------------------------------------------------------------------------------------------|
| | Προειδοποίηση ασφαλείας | Υποδηλώνει δυνητικό κίνδυνο τραυματισμού. |
| | Διαβάστε και εξοικειωθείτε με το εγχειρίδιο χρήσης | Προκειμένου να μειωθεί ο κίνδυνος τραυματισμού, ο χρήστης πρέπει να διαβάσει και να κατανοήσει το εγχειρίδιο χρήσης προτού να χρησιμοποιήσει αυτό το προϊόν. |
| | Φοράτε προστατευτικά γυαλιά | Φοράτε πάντοτε προστατευτικά γυαλιά ή γυαλιά ασφαλείας με πλευρική προστασία και πλήρη προστατευτική προσωπίδα κατά τη λειτουργία αυτού του προϊόντος. |
| | ΠΡΟΕΙΔΟΠΟΙΗΣΗ – Προσοχή σε αντικείμενα που πετάγονται - Κρατήστε τους παρευρισκόμενους μακριά | Ειδοποιεί τον χρήστη να προσέχει για αντικείμενα που πετάγονται - κρατήστε τους παρευρισκόμενους μακριά. |
| | ΚΙΝΔΥΝΟΣ – Διατηρείτε τα χέρια και τα πόδια μακριά | Ειδοποιεί τους χρήστες να κρατούν τα χέρια και τα πόδια μακριά. |
| | ΠΡΟΕΙΔΟΠΟΙΗΣΗ – Διατηρείτε τα χέρια και τα πόδια μακριά από τις οδοντώσεις | Ειδοποιεί τον χρήστη να διατηρεί τα χέρια και τα πόδια μακριά από τις οδοντώσεις. |
| | CE | Αυτό το προϊόν συμμορφώνεται με τις εφαρμοστές οδηγίες της ΕΚ. |
| | UKCA | Αυτό το προϊόν συμμορφώνεται με την εφαρμοστέα νομοθεσία του Ηνωμένου Βασιλείου. |

GR

| | | |
|-------------------|-----------------------------------|-------------------------------------------------------------------------------------------------------------------------------------------------------------------|
| | ΑΗΗΕ | Τα απόβλητα ειδών ηλεκτρικού και ηλεκτρονικού εξοπλισμού δεν πρέπει να απορρίπτονται στα οικιακά απορρίμματα. Παραδώστε τα σε εξουσιοδοτημένη μονάδα ανακύκλωσης. |
| | Θόρυβος | Εγγυημένη στάθμη ηχητικής ισχύος. Εκπομπές θορύβου στο περιβάλλον σύμφωνα με την οδηγία της Ευρωπαϊκής Ένωσης. |
| V | Βολτ | Τάση |
| | Συνεχές ρεύμα (DC) | Τύπος ή χαρακτηριστικά ρεύματος |
| mm | Χιλιοστό | Μήκος ή μέγεθος |
| kg | Κιλό | Βάρος |
| min | Λεπτά | Χρόνος |
| n_0 | Ταχύτητα χωρίς φορτίο | Ταχύτητα περιστροφής, χωρίς φορτίο |
| min^{-1} | Περιστροφές ή αναπόδοση ανά λεπτό | Περιστροφές, διαδρομές, ταχύτητα επιφάνειας, τροχιά κ.λπ. ανά λεπτό |
| RPM | Στροφές ανά λεπτό | Ταχύτητα περιστροφής |
| °C | Βαθμοί Κελσίου | Θερμοκρασία |

⚠️ ΠΡΟΕΙΔΟΠΟΙΗΣΗ: Προκειμένου να διασφαλιστεί η ασφάλεια και η αξιοπιστία, όλες οι επισκευές πρέπει να διενεργούνται από εξειδικευμένο τεχνικό του σέρβις.

ΓΕΝΙΚΕΣ ΠΡΟΕΙΔΟΠΟΙΗΣΕΙΣ ΑΣΦΑΛΕΙΑΣ ΓΙΑ ΜΗΧΑΝΗΜΑΤΑ ΠΟΥ ΛΕΙΤΟΥΡΓΟΥΝ ΜΕ ΜΠΑΤΑΡΙΑ

⚠️ ΠΡΟΕΙΔΟΠΟΙΗΣΗ: ΔΙΑΒΑΣΤΕ ΟΛΕΣ ΤΙΣ ΠΡΟΕΙΔΟΠΟΙΗΣΕΙΣ ΑΣΦΑΛΕΙΑΣ, ΤΙΣ ΟΔΗΓΙΕΣ, ΤΙΣ ΑΠΕΙΚΟΝΙΣΕΙΣ ΚΑΙ ΤΙΣ ΠΡΟΔΙΑΓΡΑΦΕΣ ΠΟΥ ΠΑΡΕΧΟΝΤΑΙ ΜΑΖΙ ΜΕ ΑΥΤΟ ΤΟ ΜΗΧΑΝΗΜΑ. Εάν δεν τηρηθούν όλες οι οδηγίες που αναφέρονται παρακάτω, μπορεί να προκληθεί ηλεκτροπληξία, πυρκαγιά και/ή σοβαρός τραυματισμός.

ΦΥΛΑΞΤΕ ΟΛΕΣ ΤΙΣ ΠΡΟΕΙΔΟΠΟΙΗΣΕΙΣ ΚΑΙ ΤΙΣ ΟΔΗΓΙΕΣ ΓΙΑ ΜΕΛΛΟΝΤΙΚΗ ΑΝΑΦΟΡΑ.

Ο όρος «μηχανή» στις προειδοποιήσεις αναφέρεται στη μηχανή σας που λειτουργεί με ρεύμα (ενσύρματη) ή μπαταρία (ασύρματη).

ΑΣΦΑΛΕΙΑ ΣΤΟ ΧΩΡΟ ΕΡΓΑΣΙΑΣ

- Διατηρείτε το χώρο εργασίας καθαρό και καλά φωτισμένο. Οι ακατάστατοι χώροι και οι χώροι με κακό φωτισμό ενισχύουν την πιθανότητα ατυχημάτων.
- Μη θέτετε σε λειτουργία μηχανήματα σε εκρηκτικές ατμόσφαιρες όπως σε παρουσία εύφλεκτων υγρών, βενζίνης ή σκόνης. Οι μηχανές δημιουργούν σπινθήρες που μπορεί να αναφλέξουν σκόνη ή αναθυμιάσεις.
- Διατηρείτε τα παιδιά και τους παρευρισκόμενους μακριά, όταν χρησιμοποιείτε τη μηχανή. Εάν κάτι αποσπάσει την προσοχή σας, μπορεί να χάσετε τον έλεγχο.

ΗΛΕΚΤΡΙΚΗ ΑΣΦΑΛΕΙΑ

- Το φως της μηχανής πρέπει να ταιριάζει στην πρίζα. Μην τροποποιήσετε ποτέ και με κανέναν τρόπο το φως. Μην χρησιμοποιείτε κανενός είδους προσαρμογείς πριζών με γειωμένες μηχανές. Τα μη τροποποιημένα φως και οι κατάλληλες πρίζες μειώνουν τον κίνδυνο ηλεκτροπληξίας.
- Αποφεύγετε την επαφή με γειωμένες επιφάνειες, όπως σωλήνες, θερμομαντικά σώματα, εστίες και ψυγεία. Υπάρχει αυξημένος κίνδυνος ηλεκτροπληξίας όταν το σώμα σας είναι γειωμένο.
- Μην χρησιμοποιείτε το μηχανήμα υπό βροχή ή υγρές συνθήκες. Αυτό μπορεί να αυξήσει τον κίνδυνο ηλεκτροπληξίας.
- Μην κακομεταχειρίζεστε το καλώδιο. Μην χρησιμοποιείτε ποτέ το καλώδιο για να μεταφέρετε, να τραβήξετε ή να αποσυνδέσετε τη μηχανή από την πρίζα. Διατηρείτε το καλώδιο μακριά από θερμότητα, λάδια, αιχμηρές γωνίες ή κινούμενα

GR

εξαρτήματα. Τα κατεστραμμένα ή μπλεγμένα καλώδια αυξάνουν τον κίνδυνο ηλεκτροπληξίας.

- Όταν χρησιμοποιείτε μια μηχανή σε εξωτερικό χώρο, χρησιμοποιείτε καλώδιο προέκτασης κατάλληλο για χρήση σε εξωτερικούς χώρους. Τα καλώδια που είναι κατάλληλα για εξωτερικούς χώρους περιορίζουν τον κίνδυνο ηλεκτροπληξίας.
- Εφόσον δεν μπορείτε να αποφύγετε τη χρήση της μηχανής σε περιοχή με υγρασία, χρησιμοποιείτε τροφοδοσία με διακόπτη κυκλώματος βλάβης γείωσης (GFCI). Η χρήση ενός διακόπτη κυκλώματος βλάβης γείωσης περιορίζει τον κίνδυνο ηλεκτροπληξίας.

ΠΡΟΣΩΠΙΚΗ ΑΣΦΑΛΕΙΑ

- Να βρίσκεστε πάντα σε εγρήγορση, να προσέχετε τι κάνετε και να εφαρμόζετε κοινή λογική όταν χρησιμοποιείτε ένα μηχάνημα. Μην χρησιμοποιείτε καμία μηχανή όταν είστε κουρασμένοι ή υπό την επήρεια ναρκωτικών, αλκοόλ ή φαρμάκων. Μια στιγμή απροσεξίας κατά τη χρήση μηχανής μπορεί να οδηγήσει σε σοβαρό τραυματισμό.
- Χρησιμοποιείτε μέσα ατομικής προστασίας. Φοράτε πάντα προστασία των ματιών. Η χρήση των κατάλληλων μέσων ατομικής προστασίας, όπως, μάσκα προστασίας από τη σκόνη, αντιολισθητικών παπουτσιών ασφαλείας, κράνους ή υψοασπίδων, μειώνει τον κίνδυνο τραυματισμού.
- Λαμβάνετε μέτρα για να μην ενεργοποιηθεί κατά λάθος η συσκευή. Βεβαιώνετε ότι ο διακόπτης βρίσκεται στη θέση απενεργοποίησης προτού συνδέσετε τη μηχανή στην παροχή ρεύματος ή/και στη συστοιχία μπαταριών, ή όταν σηκώνετε ή μεταφέρετε τη μηχανή. Μην μεταφέρετε μηχανές έχοντας το δάκτυλο πάνω στο διακόπτη και μην τις συνδέετε στην παροχή ρεύματος με ενεργοποιημένο το διακόπτη, διότι αυξάνεται ο κίνδυνος ατυχήματος.
- Προτού ενεργοποιήσετε τη μηχανή, απομακρύνετε κάθε εργαλείο ή κλειδί ρύθμισης. Εάν το εργαλείο ή το κλειδί ρύθμισης παραμείνει επάνω στο περιστρεφόμενο μέρος της μηχανής, μπορεί να προκληθεί τραυματισμός.
- Μην τεντώνετε υπερβολικά για να πραγματοποιήσετε την εργασία. Πατάτε πάντα σταθερά και διατηρείτε την ισορροπία σας. Έτσι θα ελέγχετε καλύτερα τη μηχανή, σε περίπτωση απροσδόκητων καταστάσεων.
- Φοράτε κατάλληλα ρούχα. Μην φοράτε φαρδιά ρούχα ή κοσμήματα. Διατηρείτε τα μαλλιά και τα ρούχα σας μακριά από κινούμενα μέρη. Τα φαρδιά ρούχα, τα κοσμήματα ή τα μακριά μαλλιά ενδέχεται να εμπλακούν σε κινούμενα μέρη.

- Εάν υπάρχει δυνατότητα σύνδεσης συσκευών απομάκρυνσης και συλλογής σκόνης, βεβαιωθείτε ότι αυτές οι συσκευές έχουν συνδεθεί και χρησιμοποιούνται σωστά. Αυτές οι συσκευές μπορούν να περιορίσουν τους κινδύνους που σχετίζονται με τη σκόνη.
- Ακόμα κι εάν χρησιμοποιείτε συχνά μηχανήματα, μην εφησυχάζετε και μην παραβλέπετε τις βασικές αρχές ασφαλείας. Μια στιγμή απροσεξίας μπορεί να οδηγήσει σε σοβαρό τραυματισμό.

ΧΡΗΣΗ ΚΑΙ ΦΡΟΝΤΙΔΑ ΜΗΧΑΝΗΣ

- Μην πιέζετε το μηχάνημα. Χρησιμοποιήστε τη σωστή μηχανή για την εκάστοτε εργασία. Η εργασία θα πραγματοποιηθεί καλύτερα και ασφαλέστερα εάν χρησιμοποιηθεί η κατάλληλη μηχανή και στην ταχύτητα για την οποία έχει σχεδιαστεί.
- Μην χρησιμοποιείτε τη μηχανή εάν δεν μπορείτε να την ενεργοποιήσετε και να την απενεργοποιήσετε από το διακόπτη. Οποιαδήποτε μηχανή δεν μπορεί να ελεγχθεί με το διακόπτη είναι επικίνδυνη και πρέπει να επισκευαστεί.
- Αποσυνδέετε το φως από την πηγή ρεύματος και/ή αφαιρείτε τη συστοιχία μπαταριών, εφόσον είναι αποσπώμενη, από τη μηχανή προτού κάνετε οποιαδήποτε ρύθμιση, αλλάξετε παρελκόμενα ή αποθηκεύσετε τη μηχανή. Αυτά τα προληπτικά μέτρα ασφαλείας μειώνουν τον κίνδυνο ακούσιας εκκίνησης της μηχανής.
- Εφόσον δεν τη χρησιμοποιείτε, αποθηκεύετε τη μηχανή σε σημείο όπου δεν έχουν πρόσβαση τα παιδιά και μην επιτρέπετε σε άτομα που δεν είναι εξοικειωμένα με αυτήν ή με αυτές τις οδηγίες να τη χρησιμοποιήσουν. Οι μηχανές είναι επικίνδυνες στα χέρια ατόμων που δεν έχουν εκπαιδευτεί στη χρήση τους.
- Συντήρηση μηχανών και παρελκόμενων. Ελέγχετε για κακή ευθυγράμμιση ή εμπλοκή των κινούμενων εξαρτημάτων, για σπασμένα εξαρτήματα και για κάθε άλλη κατάσταση που μπορεί να επηρεάσει τη λειτουργία της μηχανής. Σε περίπτωση ζημιάς, επισκεύαστε τη μηχανή πριν από τη χρήση. Πολλά ατυχήματα προκαλούνται εξαιτίας πλημμελώς συντηρημένων μηχανών.
- Διατηρείτε τις μηχανές κοπής καθαρές. Οι μηχανές κοπής που συντηρούνται σωστά και διαθέτουν αιχμηρές κόψεις είναι λιγότερο πιθανό να μπλοκάρουν, ενώ είναι ευκολότερες στο χειρισμό.
- Χρησιμοποιείτε τη μηχανή, τα παρελκόμενα, τις μύτες, κτλ., σύμφωνα με αυτές τις οδηγίες, λαμβάνοντας υπόψη τις συνθήκες εργασίας και την

προς εκτέλεση εργασίας. Η χρήση της μηχανής για σκοπούς διαφορετικούς από τους προβλεπόμενους μπορεί να οδηγήσει σε επικίνδυνες καταστάσεις.

- Διατηρείτε τις λαβές και τις επιφάνειες συγκράτησης στεγνές και καθαρές, χωρίς λάδια και γράσα. Εάν οι λαβές και οι επιφάνειες συγκράτησης είναι ολισθηρές δεν θα μπορείτε να χειριστείτε με ασφάλεια τη μηχανή, ούτε θα μπορείτε να την ελέγξετε σε περίπτωση που προκύψει κάποια απροσδόκητη κατάσταση.

ΧΡΗΣΗ ΚΑΙ ΦΡΟΝΤΙΔΑ ΜΗΧΑΝΗΣ ΜΠΑΤΑΡΙΑΣ

- Επαναφορτίζετε το ηλεκτρικό εργαλείο μόνο με το φορτιστή που έχει καθορίσει ο κατασκευαστής. Οι φορτιστές που είναι κατάλληλοι για έναν συγκεκριμένο τύπο συστοιχίας μπαταριών μπορεί να προκαλέσουν πυρκαγιά εάν χρησιμοποιηθούν για κάποιον άλλον τύπο.
- Χρησιμοποιείτε το μηχάνημα μόνο με τις συστοιχίες μπαταριών που προορίζονται ειδικά για αυτό. Εάν χρησιμοποιηθεί οποιαδήποτε άλλη συστοιχία μπαταριών, μπορεί να προκληθεί τραυματισμός και πυρκαγιά.
- Όταν η συστοιχία μπαταριών δεν χρησιμοποιείται, φυλάσσετε την μακριά από μεταλλικά αντικείμενα, όπως συνδετήρες, κέρματα, κλειδιά, καρφιά, βίδες ή άλλα μικρά μεταλλικά αντικείμενα, τα οποία μπορεί να δημιουργήσουν σύνδεση μεταξύ των ακροδεκτών. Το βραχυκύκλωμα των ακροδεκτών της συστοιχίας μπαταριών μεταξύ τους ενδέχεται να προκαλέσει εγκαύματα ή πυρκαγιά.
- Σε συνθήκες κακής χρήσης, μπορεί να διαρρεύσει υγρό από τη συστοιχία μπαταριών. Αποφύγετε την επαφή με αυτό. Σε περίπτωση τυχαίας επαφής, ξεπλύνετε καλά με νερό. Εάν το υγρό έρθει σε επαφή με τα μάτια, αναζητήστε επιπλέον ιατρική βοήθεια. Το υγρό που διαρρέει από τη συστοιχία μπαταριών μπορεί να προκαλέσει ερεθισμό ή εγκαύματα.
- Μην χρησιμοποιείτε τη συστοιχία μπαταριών ή τη μηχανή εάν έχουν υποστεί ζημιά ή έχουν τροποποιηθεί. Οι συστοιχίες μπαταριών που έχουν υποστεί ζημιά ή έχουν τροποποιηθεί μπορεί να έχουν απρόβλεπτη συμπεριφορά και να προκαλέσουν πυρκαγιά, έκρηξη ή τραυματισμό.
- Μην εκθέτετε τη συστοιχία μπαταριών ή τη μηχανή σε φωτιά ή υπερβολικά υψηλές θερμοκρασίες. Η έκθεση σε φωτιά ή θερμοκρασία πάνω από 130 °C μπορεί να προκαλέσει έκρηξη.
- Τηρείτε όλες τις οδηγίες φόρτισης και μη φορτίζετε τη συστοιχία μπαταριών ή τη μηχανή εκτός του εύρους θερμοκρασίας που καθορίζεται στις οδηγίες.

Εάν η φόρτιση δε γίνει σωστά ή πραγματοποιηθεί σε θερμοκρασία εκτός του καθορισμένου εύρους, η συστοιχία μπαταριών μπορεί να υποστεί ζημιά και να αυξηθεί ο κίνδυνος πυρκαγιάς.

ΣΕΡΒΙΣ

- Το σέρβις της μηχανής σας πρέπει να γίνεται από εξειδικευμένο τεχνικό, χρησιμοποιώντας μόνο όμοια ανταλλακτικά. Αυτό θα διασφαλίσει τη διατήρηση της ασφάλειας του μηχανήματος.
- Μην επιχειρήσετε ποτέ να επισκευάσετε συστοιχία μπαταριών που έχει υποστεί ζημιά. Η συστοιχία μπαταριών πρέπει να επισκευάζεται μόνο από τον κατασκευαστή ή από εξουσιοδοτημένα κέντρα σέρβις.

ΠΡΟΕΙΔΟΠΟΙΗΣΕΙΣ ΑΣΦΑΛΕΙΑΣ ΤΟΥ ΑΠΟΒΡΥΩΤΗ

- Μην χρησιμοποιείτε το μηχάνημα υπό κακές καιρικές συνθήκες, ειδικά όταν υπάρχει κίνδυνος αστραπών. Έτσι μειώνεται ο κίνδυνος να σας χτυπήσει κεραυνός.
- Επιθεωρείτε διεξοδικά την περιοχή, όπου πρόκειται να χρησιμοποιηθεί το μηχάνημα, για τυχόν άγρια ζώα. Τα άγρια ζώα μπορούν να τραυματιστούν από το μηχάνημα κατά τη διάρκεια της λειτουργίας του.
- Επιθεωρείτε διεξοδικά την περιοχή, όπου πρόκειται να χρησιμοποιηθεί το μηχάνημα, και απομακρύνετε όλες τις πέτρες, τα κλαδιά, τα καλώδια, τα κόκαλα και άλλα ξένα σώματα. Τα εκσφενδονιζόμενα αντικείμενα μπορούν να προκαλέσουν τραυματισμούς.
- Πριν από τη χρήση της μηχανής, ελέγχετε την πάντα οπτικά, για να βεβαιωθείτε ότι οι οδοντώσεις ή το συγκρότημα οδοντώσεων δεν έχουν υποστεί φθορές ή ζημιά. Τα φθαρμένα ή χαλασμένα εξαρτήματα αυξάνουν τον κίνδυνο τραυματισμών.
- Κρατήστε τις καλύπτρες στη θέση τους. Οι καλύπτρες πρέπει να είναι σε λειτουργική κατάσταση και σωστά τοποθετημένες. Μια κάλυπτρα που είναι χαλαρή, κατεστραμμένη ή δεν λειτουργεί σωστά μπορεί να οδηγήσει σε τραυματισμό.
- Διατηρείτε όλα τα ανοίγματα ψύξης απαλλαγμένα από ρύπους. Τα φραγμένα ανοίγματα ψύξης και τα υπολείμματα μπορεί να οδηγήσουν σε υπερθέρμανση ή κίνδυνο πυρκαγιάς.
- Κατά το χειρισμό του μηχανήματος, φοράτε πάντα αντιολισθητικά και προστατευτικά υποδήματα. Μην χρησιμοποιείτε το μηχάνημα ζυπόλητοι ή φορώντας σανδάλια. Αυτό μειώνει την πιθανότητα τραυματισμού των ποδιών σε περίπτωση επαφής με τις κινούμενες οδοντώσεις.
- Κατά το χειρισμό του μηχανήματος, φοράτε πάντα μακρύ παντελόνι. Το εκτεθειμένο δέρμα αυξάνει την

πιθανότητα τραυματισμού από εκσφενδονιζόμενα αντικείμενα.

- **Μην χρησιμοποιείτε τη μηχανήμα σε βρεγμένο γρασίδι. Πάντα να περπατάτε, ποτέ μην τρέχετε.** Έτσι μειώνεται ο κίνδυνος ολίσθησης και πτώσης, τα οποία μπορούν να οδηγήσουν σε τραυματισμό.
- **Μην χρησιμοποιείτε το μηχανήμα σε υπερβολικά απότομες πλαγιές.** Αυτό μειώνει τον κίνδυνο απώλειας ελέγχου, ολίσθησης και πτώσης, τα οποία μπορούν να οδηγήσουν σε τραυματισμό.
- **Όταν εργάζεστε σε πλαγιές, πατάτε πάντα σταθερά, εργάζεστε πάντα κατά μήκος της επιφάνειας των πλαγιών, ποτέ με κλίση προς τα πάνω ή προς τα κάτω, και να είστε εξαιρετικά προσεκτικοί όταν αλλάζετε κατεύθυνση.** Αυτό μειώνει τον κίνδυνο απώλειας ελέγχου, ολίσθησης και πτώσης, τα οποία μπορούν να οδηγήσουν σε τραυματισμό.
- **Προσέχετε ιδιαίτερα όταν κινείτε τη μηχανή όπισθεν ή την τραβάτε προς το μέρος σας. Να έχετε πάντα επίγνωση του περιβάλλοντός σας.** Έτσι μειώνεται ο κίνδυνος να σκοντάψετε κατά τη διάρκεια της εργασίας.
- **Κρατάτε τη μηχανή μόνο από τις μονωμένες επιφάνειες λαβής, διότι οι λεπίδες μπορεί να έρθουν σε επαφή με κρυφές καλωδιώσεις.** Η επαφή των οδοντώσεων με καλώδιο υπό τάση ενδέχεται να θέσει υπό τάση τα εκτεθειμένα μεταλλικά εξαρτήματα και, κατά συνέπεια, να προκαλέσει ηλεκτροπληξία στο χειριστή.
- **Μην αγγίζετε τις λεπίδες και άλλα επικίνδυνα κινούμενα μέρη ενώ αυτά εξακολουθούν να κινούνται.** Αυτό θα μειώσει τον κίνδυνο τραυματισμού από κινούμενα μέρη.
- **Όταν απομακρύνετε εγκλωβισμένο υλικό ή καθαρίζετε το μηχανήμα, βεβαιώναςτε ότι όλοι οι διακόπτες λειτουργίας είναι απενεργοποιημένοι και ότι η συστοιχία μπαταριών έχει αποσυνδεθεί.** Η απροσδόκητη ενεργοποίηση του μηχανήματος μπορεί να οδηγήσει σε σοβαρό ατομικό τραυματισμό.

GR

ΕΠΙΠΡΟΣΘΕΤΕΣ ΠΡΟΕΙΔΟΠΟΙΗΣΕΙΣ

- Χρησιμοποιείτε μόνο με την ηλεκτρική κεφαλή EGO PH1400E/PH1420E/PHX1600.
ΣΗΜΕΙΩΣΗ: Δείτε το εγχειρίδιο του χειριστή της ηλεκτρικής κεφαλής EGO PH1400E/PH1420E/PHX1600 για λεπτομερείς κανόνες ασφαλείας και οδηγίες λειτουργίας.

ΦΥΛΑΞΤΕ ΑΥΤΕΣ ΤΙΣ ΟΔΗΓΙΕΣ

ΤΕΧΝΙΚΕΣ ΠΡΟΔΙΑΓΡΑΦΕΣ

| | |
|------------------------------------------------------------------|------------------------------------------|
| Μέγιστο πλάτος λειτουργίας | 355 mm |
| Ταχύτητα χωρίς φορτίο (με το PH1420E) | Χαμηλή: 2600 Σ.Α.Λ. |
| | Υψηλή: 3000 Σ.Α.Λ. |
| Ρύθμιση βάθους | 3 θέσεις |
| Βάθος αποβρύωσης | 0 / 10 mm / 20 mm |
| Συνιστώμενη θερμοκρασία λειτουργίας | 0°C – 40°C |
| Συνιστώμενη θερμοκρασία αποθήκευσης | -20°C – 70°C |
| Μετρημένη στάθμη ηχητικής ισχύος L_{WA} | 88 dB(A) K=2 dB(A) (PH1400E) |
| | 88,49 dB(A) K=0,81 dB(A) (PH1420E) |
| | 90 dB(A) K=0,9 dB(A) (PHX1600) |
| Στάθμη ηχητικής πίεσης στο αυτί του χειριστή L_{PA} | 82 dB(A) K=3 dB(A) (PH1400E) |
| | 79,8 dB(A) K=3 dB(A) (PH1420E) |
| | 82 dB(A) K=3 dB(A) (PHX1600) |
| Εγγυημένο επίπεδο ισχύος ήχου L_{WA} (μέτρηση κατά 2000/14/ΕΚ) | 92 dB(A) |

| | | |
|-------------------------------|-----------------------------|--------------------------------------------------------------|
| Αξιολόγηση δονήσεων a_n | Λαβή μπροστινής υποβοήθησης | 2,35 m/s ² K=1,5 m/s ² (PH1400E) |
| | | 2,36 m/s ² K=1,5 m/s ² (PH1420E) |
| | | 2,63 m/s ² K=1,5 m/s ² (PHX1600) |
| | Rear handle | 2,66 m/s ² K=1,5 m/s ² (PH1400E) |
| | | 2,24 m/s ² K=1,5 m/s ² (PH1420E) |
| | | 1,74 m/s ² K=1,5 m/s ² (PHX1600) |
| Βάρος (με κύλινδρο αποβρυωτή) | | 7,4 kg |

- Οι παραπάνω παράμετροι έχουν δοκιμαστεί και μετρηθεί με εξοπλισμό ηλεκτρικής κεφαλής PH1400E/PH1420E/PHX1600.
- Η δηλωθείσα συνολική τιμή κραδασμών έχει μετρηθεί σύμφωνα με πρότυπη μέθοδο δοκιμής και μπορεί να χρησιμοποιηθεί για τη σύγκριση ενός εργαλείου με κάποιο άλλο.
- Η αναφερόμενη συνολική τιμή κραδασμών μπορεί να χρησιμοποιηθεί επίσης ως προκαταρκτική αξιολόγηση έκθεσης.

⚠️ ΠΡΟΕΙΔΟΠΟΙΗΣΗ: Η μετάδοση της δόνησης κατά τη διάρκεια της πραγματικής χρήσης του μηχανήματος μπορεί να διαφέρει από τη δηλωθείσα τιμή, στην οποία χρησιμοποιείται το μηχάνημα. Για την προστασία του χειριστή, υπό πραγματικές συνθήκες χρήσης πρέπει να χρησιμοποιούνται γάντια και ωτοασπίδες.

⚠️ ΠΡΟΕΙΔΟΠΟΙΗΣΗ: Ο χειριστής οφείλει να λαμβάνει μέτρα ασφαλείας για την προστασία του, τα οποία να βασίζονται σε μια εκτίμηση της έκθεσης υπό πραγματικές συνθήκες χρήσης (λαμβάνοντας υπόψη όλα τα μέρη του κύκλου λειτουργίας, όπως, τους χρόνους κατά τους οποίους το μηχάνημα είναι απενεργοποιημένο και αδρανές, καθώς και τον χρόνο λειτουργίας).

ΠΕΡΙΓΡΑΦΗ

ΓΝΩΡΙΣΤΕ ΤΟ ΠΡΟΣΑΡΤΗΜΑ ΑΠΟΒΡΥΩΤΗ (Εικ. Α)

1. Τερματικό πώμα (2)
2. Άξονας προσαρτήματος
3. Κάτω κάλυμμα
4. Τροχός
5. Συγκρότημα επάνω καλύμματος
6. Μοχλός ρύθμισης βάθους
7. Προστατευτικό εκτροπέα
8. Ράβδος αποξέστηρα
9. Εξάγωνο κλειδί 4 mm
10. Εξάγωνο κλειδί 5 mm
11. Οδόντωση ξέστρου
12. Κύλινδρος αποβρυωτή

ΣΥΝΑΡΜΟΛΟΓΗΣΗ

⚠️ ΠΡΟΕΙΔΟΠΟΙΗΣΗ: Σε περίπτωση που κάποια από τα εξαρτήματα έχουν υποστεί ζημιά ή λείπουν, μη χρησιμοποιήσετε το προϊόν, μέχρι να αντικατασταθούν. Η χρήση αυτού του προϊόντος με φθαρμένα ή ελλιπή εξαρτήματα μπορεί να έχει ως αποτέλεσμα σοβαρό τραυματισμό.

⚠️ ΠΡΟΕΙΔΟΠΟΙΗΣΗ: Μην επιχειρήσετε να τροποποιήσετε αυτό το προϊόν ή να δημιουργήσετε εξαρτήματα που δεν συνιστώνται για χρήση με αυτό το προϊόν. Κάθε παρόμοια μετατροπή ή τροποποίηση συνιστά κακή χρήση και μπορεί να δημιουργήσει επικίνδυνες καταστάσεις με επακόλουθο τον σοβαρό τραυματισμό.

ΣΥΝΔΕΣΗ ΤΟΥ ΑΞΟΝΑ ΠΡΟΣΑΡΤΗΜΑΤΟΣ ΣΤΟ ΣΥΓΚΡΟΤΗΜΑ ΑΠΟΒΡΥΩΤΗ (Εικ. Β)

| | | | |
|-----|----------------------|-----|--------------|
| B-1 | Μπουλόνι M5 | B-4 | Οπή |
| B-2 | Μπουλόνι | B-5 | Οπή βίδας |
| B-3 | Άξονας προσαρτήματος | B-6 | Κάτω κάλυμμα |

1. Τοποθετήστε το συγκρότημα αποβρυωτή ανάποδα επάνω σε μια σταθερή επίπεδη επιφάνεια.
2. Απομακρύνετε το τερματικό πώμα από το μπροστινό άκρο του άξονα προσαρτήματος.
3. Με την οπή στον άξονα προσαρτήματος να βλέπει προς τα επάνω, εισαγάγετε τον άξονα προσαρτήματος μέσα στο κάτω κάλυμμα του

προσαρτήματος όσο πιο μέσα γίνεται. Ευθυγραμμίστε την οπή βίδας πάνω στο κάτω κάλυμμα με την οπή επάνω στον άξονα προσαρτήματος.

4. Χρησιμοποιώντας το παρεχόμενο εξάγωνο κλειδί 4 mm, ασφαλίστε το κάτω κάλυμμα στον άξονα προσαρτήματος με το μπουλόνι M5.
5. Χρησιμοποιώντας το εξάγωνο κλειδί, σφίξτε καλά τα δύο προεγκατεστημένα μπουλόνια στο κάτω κάλυμμα.

⚠️ ΠΡΟΕΙΔΟΠΟΙΗΣΗ: Βεβαιωθείτε ότι τα τρία μπουλόνια έχουν σφιχτεί πλήρως προτού θέσετε σε λειτουργία τον εξοπλισμό. Ελέγχετε τον τακτικά για τη σύσφιξη κατά τη διάρκεια της χρήσης προς αποφυγή σοβαρού ατομικού τραυματισμού.

ΣΥΝΔΕΣΗ ΤΟΥ ΠΡΟΣΑΡΤΗΜΑΤΟΣ ΑΠΟΒΡΥΩΤΗ ΣΤΗΝ ΗΛΕΚΤΡΙΚΗ ΚΕΦΑΛΗ

Αυτό το προσάρτημα αποβρυωτή έχει σχεδιαστεί για χρήση με την ηλεκτρική κεφαλή EGO RH1400E/RH1420E/RHX1600.

Βλ. ενότητα «**ΕΓΚΑΤΑΣΤΑΣΗ ΕΝΟΣ ΠΡΟΣΑΡΤΗΜΑΤΟΣ ΣΤΗΝ ΗΛΕΚΤΡΙΚΗ ΚΕΦΑΛΗ**» στο εγχειρίδιο χρήσης της ηλεκτρικής κεφαλής RH1400E/RH1420E/RHX1600.

ΛΕΙΤΟΥΡΓΙΑ

⚠️ ΠΡΟΕΙΔΟΠΟΙΗΣΗ: Η εξοικειώσή σας με αυτό το προϊόν δε θα πρέπει να σας κάνει λιγότερο προσεκτικούς. Θυμηθείτε πως ένα κλάσμα δευτερολέπτου απροσεξίας μπορεί να προκαλέσει σοβαρό τραυματισμό.

⚠️ ΠΡΟΕΙΔΟΠΟΙΗΣΗ: Φοράτε πάντα προστασία των ματιών. Στην αντίθετη περίπτωση, ενδέχεται να υπάρξει εκτόξευση αντικειμένων στα μάτια σας και άλλοι πιθανοί σοβαροί τραυματισμοί.

GR

⚠️ ΠΡΟΕΙΔΟΠΟΙΗΣΗ: Προκειμένου να αποφευχθεί σοβαρός ατομικός τραυματισμός, αποσυνδέστε τη συστοιχία μπαταριών από το προϊόν πριν από τη συντήρηση, τον καθαρισμό, την αλλαγή προσαρτημάτων ή την αφαίρεση υλικού από το προϊόν.

⚠️ ΠΡΟΕΙΔΟΠΟΙΗΣΗ: Μη χρησιμοποιείτε παρελκόμενα που δεν συνιστώνται από τον κατασκευαστή αυτού του προϊόντος. Η χρήση προσαρτημάτων ή παρελκόμενων που δε συνιστώνται από τον κατασκευαστή, ενέχει τον κίνδυνο σοβαρού τραυματισμού.

ΕΦΑΡΜΟΓΕΣ

Αφαιρέστε τα παλιά, ξερά κλαδιά, βρύα, γρασίδι ή υπολείμματα ριζών από το γρασίδι.

ΕΚΚΙΝΗΣΗ/ΣΤΑΜΑΤΗΜΑ ΤΟΥ ΑΠΟΒΡΥΩΤΗ

200

ΠΡΟΣΑΡΤΗΜΑ ΑΠΟΒΡΥΩΤΗ — DA1400

Πριν από τη χρήση του αποβρυωτή

⚠️ ΠΡΟΕΙΔΟΠΟΙΗΣΗ: Για την αποφυγή σοβαρού ατομικού τραυματισμού, φοράτε πάντοτε προστατευτικά γυαλιά ή γυαλιά προστασίας κατά τη λειτουργία αυτού του προϊόντος. Φοράτε μάσκα προσώπου ή προστασίας από σκόνη σε τοποθεσίες με σκόνη. Φοράτε κατάλληλα ρούχα και υποδήματα κατά τη διάρκεια της λειτουργίας για να μειώνετε τον κίνδυνο τραυματισμού που μπορεί να προκληθεί από εκτόξευση θραυσμάτων.

- Πριν τη χρήση επιθεωρείτε το προϊόν προσεκτικά για ζημιές. Μην χρησιμοποιείτε το προϊόν εάν έχει υποστεί ζημιά ή φθορές.
- Βεβαιωθείτε ότι το γρασίδι δεν έχει πέτρες, κλαδάκια, σύρματα ή άλλα αντικείμενα τα οποία μπορεί να προκαλέσουν ζημιά στο προϊόν.
- Κουρέψτε το γρασίδι πριν την εργασία και μετά προσθέστε λίπασμα.

Συμβουλές λειτουργίας

Για να αναπτυχθεί ένα υγιές γκαζόν την άνοιξη, είναι απαραίτητο να διεισδύουν μεγαλύτερες ποσότητες αέρα στην περιοχή γύρω από τις ρίζες του γρασιδιού. Συνιστούμε να πραγματοποιείτε αποβρύωση στο γρασίδι τουλάχιστον δύο φορές κάθε χρόνο, την άνοιξη ή το φθινόπωρο αναλόγως της κατάστασης του γρασιδιού σας.

- Για τη δική σας ασφάλεια μην χειρίζεστε το μηχάνημα σε επιφάνειες με κλίση μεγαλύτερη από 15 μοίρες. Να εργάζεστε εγκάρσια στην πρόσοψη κεκλιμένων επιφανειών, όχι επάνω και κάτω. Να είστε ιδιαίτερα προσεκτικοί όταν αλλάζετε κατεύθυνση στις πλαγιές.
- Μην εργάζεστε με αυτό το προϊόν σε βρεγμένο γρασίδι διότι αυτό τείνει να κολλάει στο γτεκ και τις οδοντώσεις, μπορεί επίσης να σας κάνει να γλιστρήσετε και να πέσετε.
- Κρατάτε το προϊόν και με τα δύο χέρια. Διατηρείτε τις λαβές στεγνές για να εξασφαλίσετε την ασφαλή υποστήριξη.
- Ωθήστε αργά το προϊόν προς τα εμπρός. Μετακινείτε το προϊόν με την κατάλληλη ταχύτητα. Μην το μετακινείτε πολύ γρήγορα ώστε να εμποδίσετε μπλοκάρισμα των οδοντώσεων και πρόκληση υπερφόρτωσης του μοτέρ.
- Απενεργοποιήστε το προϊόν αμέσως εάν άλλοι άνθρωποι εισέλθουν στον χώρο εργασίας. Περιμένετε πάντα μέχρι το προϊόν να σταματήσει εντελώς προτού το αποθέσετε.
- Μην επιβαρύνετε υπερβολικά το μηχάνημα κατά την εργασία. Κάνετε τακτικά διαλείμματα ώστε να εξασφαλίσετε ότι μπορείτε να συγκεντρώσετε στην εργασία και ότι έχετε τον πλήρη έλεγχο του μηχανήματος.

- Να εργάζεστε σε σειρές με ελαφριά επικάλυψη. Το πιο αποτελεσματικό μοτίβο είναι οι ίσιες γραμμές κατά μήκος μιας εκ των πλευρών (Εικ. C). Έτσι θα διατηρηθούν οι σειρές ίδιες και εξασφαλίζεται ότι γίνεται αποβρύωση στο γρασίδι χωρίς ελλειπή σημεία.
- Δώστε ιδιαίτερη προσοχή όταν αλλάζετε κατεύθυνση.
- Πατάτε πάντα σταθερά. Η ολίσθηση και η πώση μπορούν να προκαλέσουν σοβαρό ατομικό τραυματισμό. Αν νιώθετε ότι χάνετε την ισορροπία σας, σβήστε αμέσως τον κινητήρα.
- Μην εργάζεστε κοντά σε σημεία πώσης, χαντάκια ή αναχώματα, μπορεί να χάσετε το πάτημά σας ή την ισορροπία σας.

Εκκίνηση/Σταμάτημα του προσαρτήματος αποβρωπτή

Βλ. ενότητα «**ΕΚΚΙΝΗΣΗ/ΣΤΑΜΑΤΗΜΑ ΤΗΣ ΗΛΕΚΤΡΙΚΗΣ ΚΕΦΑΛΗΣ**» στο εγχειρίδιο χρήσης των RH1400E/RH1420E /PHX1600.

⚠ ΠΡΟΕΙΔΟΠΟΙΗΣΗ: Σταματήστε το μηχάνημα εάν πρέπει να γείρει για τη μεταφορά όταν διασχίζετε επιφάνειες διαφορετικές από γρασίδι και όταν μεταφέρετε το μηχάνημα σε και από τον τομέα στον οποίο πρόκειται να χρησιμοποιηθεί.

⚠ ΠΡΟΕΙΔΟΠΟΙΗΣΗ: Μην γέρνετε το μηχάνημα όταν ενεργοποιείτε το μοτέρ, εκτός εάν πρέπει να γείρει για την εκκίνηση. Σε αυτήν την περίπτωση, μην το κρατάτε υπό κλίση μεγαλύτερη απ' όση είναι απολύτως απαραίτητο και αναστρώστε μόνο το τμήμα που βρίσκεται μακριά από τον χειριστή.

Έλεγχος για μπλοκάρισμα των οδοντώσεων

- Για να αποτρέψετε μπλοκάρισμα, καθαρίστε την κάτω πλευρά του μηχανήματος πριν και μετά τη χρήση ώστε να απομακρύνετε συσσωρευμένα υπολείμματα.
- Εάν προκύψει μπλοκάρισμα, σταματήστε το μηχάνημα και αφαιρέστε τη συστοιχία μπαταριών, κατόπιν αφαιρέστε συσσωρευμένο γρασίδι και φύλλα επάνω ή γύρω από τις οδοντώσεις και το ντεκ. Καθαρίστε το μηχάνημα με ένα νωπό πανί.

ΡΥΘΜΙΣΗ ΒΑΘΟΥΣ (Εικ. D)

⚠ ΠΡΟΕΙΔΟΠΟΙΗΣΗ: Διατηρείτε τα πόδια σας μακριά από το ντεκ κατά τη ρύθμιση του βάθους.

Το βάθος αποβρύωσης μπορεί να ρυθμιστεί σε 3 θέσεις βάθους:

1 & 2: Θέση λειτουργίας

3: Θέση μεταφοράς

Ρυθμίστε το βάθος σύμφωνα με τις ανάγκες του γρασιδιού σας.

1. Απενεργοποιήστε το μηχάνημα και περιμένετε να σταματήσει εντελώς.
2. Αφαιρέστε τη συστοιχία μπαταριών.
3. Τραβήξτε το μοχλό ρύθμισης βάθους έξω από την προεξοχή και ρυθμίστε τον στην επιθυμητή θέση.

| | | | |
|-----|------------------------|-----|-------------|
| D-1 | Μοχλός ρύθμισης βάθους | D-2 | Θέση βάθους |
|-----|------------------------|-----|-------------|

ΣΥΝΤΗΡΗΣΗ

⚠ ΠΡΟΕΙΔΟΠΟΙΗΣΗ: Πριν από τον έλεγχο, τον καθαρισμό ή τη συντήρηση του μηχανήματος, σβήστε τον κινητήρα, περιμένετε ώσπου να ακινητοποιηθούν όλα τα κινούμενα εξαρτήματα και αφαιρέστε τη συστοιχία μπαταριών. Η μη τήρηση των οδηγιών μπορεί να οδηγήσει σε σοβαρό τραυματισμό ή υλικές ζημιές.

⚠ ΠΡΟΕΙΔΟΠΟΙΗΣΗ: Φοράτε πάντα προστασία των ματιών με πλαϊνά προστατευτικά. Στην αντίθετη περίπτωση, ενδέχεται να εκτοξευτούν αντικείμενα στα μάτια σας με συνέπεια ενδεχόμενο σοβαρό τραυματισμό.

⚠ ΠΡΟΕΙΔΟΠΟΙΗΣΗ: Κατά τη συντήρηση, χρησιμοποιείτε μόνο όμοια ανταλλακτικά. Η χρήση οποιωνδήποτε άλλων εξαρτημάτων μπορεί να είναι επικίνδυνη ή να προκαλέσει ζημιά στο προϊόν. Προκειμένου να διασφαλιστεί η ασφάλεια και η αξιοπιστία, όλες οι επισκευές που δεν αναφέρονται σε αυτές τις οδηγίες συντήρησης πρέπει να διεξάγονται από εξειδικευμένο τεχνικό σέρβις.

⚠ ΠΡΟΕΙΔΟΠΟΙΗΣΗ: Μετά από πρόσκρουση σε ξένο αντικείμενο, σταματήστε το μηχάνημα και αφαιρέστε τη συστοιχία μπαταριών ώστε να εξασφαλίσετε ότι τα κινούμενα μέρη σταματάνε εντελώς. Κατόπιν επιθεωρήστε το μηχάνημα για ζημιές και πραγματοποιήστε επισκευές προτού επανεκκινήσετε και θέσετε σε λειτουργία το μηχάνημα.

⚠ ΠΡΟΕΙΔΟΠΟΙΗΣΗ: Εάν το μηχάνημα αρχίσει να δονείται αφύσικα, σταματήστε το μηχάνημα και αφαιρέστε τη συστοιχία μπαταριών ώστε να εξασφαλίσετε ότι τα κινούμενα μέρη θα σταματήσουν εντελώς. Στη συνέχεια, ελέγξτε αμέσως για ζημιές, αντικαταστήστε ή επισκευάστε τυχόν εξαρτήματα με ζημιά και ελέγξτε για και σφίξτε ενδεχόμενα χαλαρά εξαρτήματα.

⚠ ΠΡΟΕΙΔΟΠΟΙΗΣΗ: Κατά τη ρύθμιση του προϊόντος προσέχετε ώστε να μην εγκλωβιστούν τα δάχτυλά σας μεταξύ των κινούμενων εξαρτημάτων και των σταθερών εξαρτημάτων του προϊόντος.

ΚΑΘΑΡΙΣΜΟΣ

GR

⚠️ ΠΡΟΕΙΔΟΠΟΙΗΣΗ: Όταν καθαρίζετε το προσάρτημα αποβρωωτή, ΜΗΝ το βυθίζετε σε νερό ή άλλα υγρά.

Αποφύγετε τη χρήση διαλυτών κατά τον καθαρισμό των πλαστικών εξαρτημάτων. Τα περισσότερα πλαστικά είναι ευπαθή στη χρήση διαφόρων τύπων διαλυτών του εμπορίου και καταστρέφονται από τη χρήση τους. Χρησιμοποιείτε καθαρό πανί για την απομάκρυνση βρωμιάς, σκόνης, λαδιού, γράσου, κτλ.

ΛΙΠΑΝΣΗ

Όλα τα εφεδρανα του προϊόντος έχουν λιπανθεί με επαρκή ποσότητα λιπαντικού υψηλού ιξώδους για όλη τη διάρκεια ζωής της μονάδας υπό κανονικές συνθήκες λειτουργίας. Συνεπώς, δεν απαιτείται περαιτέρω λίπανση των ρουλεμάν.

ΑΝΤΙΚΑΤΑΣΤΑΣΗ ΤΟΥ ΚΥΛΙΝΔΡΟΥ

⚠️ ΠΡΟΕΙΔΟΠΟΙΗΣΗ: Πριν από οποιαδήποτε συντήρηση, αφαιρέτε πάντα τη συστοιχία μπαταριών από το μηχάνημα και περιμένετε μέχρι ο κύλινδρος οδόντωσης να σταματήσει εντελώς. Φοράτε πάντα προστατευτικά γάντια όταν χειρίζεστε τις οδοντώσεις.

Αφαίρεση του κυλίνδρου

1. Αφαιρέστε τη συστοιχία μπαταριών από την ηλεκτρική κεφαλή.
2. Τοποθετήστε το προσάρτημα ανάποδα επάνω σε μια επίπεδη, σταθερή επιφάνεια.
3. Χρησιμοποιήστε το παρεχόμενο εξάγωνο κλειδί 5 mm για να χαλαρώσετε και να αφαιρέσετε τα δύο μπουλόνια ασφάλισης στην υποδοχή εδράνου του κυλίνδρου αποβρωωτή (Εικ. Ε1).
4. Ωθήστε τον κύλινδρο αποβρωωτή προς τα αριστερά μέχρι ο πολύσφηνος άξονας στο δεξιό άκρο να τραβηχτεί έξω από τον πολύσφηνο ομφαλό του μηχανήματος (Εικ. Ε2).
5. Αφαιρέστε τον κύλινδρο αποβρωωτή από το μηχάνημα (Εικ. Ε3).

| | | | |
|------|------------------|------|---------------------|
| E1-1 | Υποδοχή εδράνου | E1-2 | Κύλινδρος αποβρωωτή |
| E2-1 | Χιτώνιο ατράκτου | E2-2 | Ομφαλός ατράκτου |

Εγκατάσταση καινούργιου κυλίνδρου

1. Τοποθετήστε την υποδοχή εδράνου του καινούργιου κυλίνδρου επάνω στη βάση μηχανήματος και ωθήστε τον κύλινδρο προς τα αριστερά όσο μπορεί να πάει (Εικ. F1).

2. Ευθυγραμμίστε και εισάγετε τον πολύσφηνο άξονα στη δεξιά πλευρά του κυλίνδρου μέσα στον πολύσφηνο ομφαλό του μηχανήματος (Εικ. F2).
3. Ευθυγραμμίστε τις δύο σπές στην υποδοχή εδράνου με τις σπές επάνω στη βάση, ασφαλίστε την υποδοχή εδράνου στη βάση με τα μπουλόνια ασφάλισης (Εικ. F3).

ΑΝΤΙΚΑΤΑΣΤΑΣΗ ΤΩΝ ΟΔΟΝΤΩΣΕΩΝ ΞΕΣΤΡΟΥ

Κατά την φυσιολογική χρήση, οι οδοντώσεις ξέστρου μπορεί να φθαρούν ή να σπάσουν με την πάροδο του χρόνου. Όταν η ρύθμιση του βάθους οδόντωσης δεν σας παρέχει πλέον επαρκή απόδοση αποβρώωσης ή εάν σπάσει μια οδόντωση, ακολουθήστε τα βήματα κατωτέρω για να αντικαταστήσετε τις οδοντώσεις.

Αφαίρεση της οδόντωσης

1. Αφαιρέστε τη συστοιχία μπαταριών από την ηλεκτρική κεφαλή.
2. Τοποθετήστε το προσάρτημα ανάποδα επάνω σε μια επίπεδη, σταθερή επιφάνεια.
3. Ωθήστε τις δύο ακίδες της οδόντωσης ξέστρου στην υποδοχή 1 του κυλίνδρου και αφαιρέστε τραβώντας την οδόντωση ξέστρου από τον κύλινδρο αποβρωωτή όπως φαίνεται στην Εικ. G.

| | | | |
|-----|--------|-----|-----------|
| G-1 | Πείρος | G-2 | Υποδοχή 1 |
|-----|--------|-----|-----------|

Τοποθέτηση της οδόντωσης ξέστρου (Εικ. Η)

1. Εισάγετε την ακίδα της οδόντωσης ξέστρου μέσα στην υποδοχή 1 του κυλίνδρου (βήμα 1).
2. Εισαγάγετε την υποδοχή της οδόντωσης ξέστρου μέσα στην υποδοχή 2 στον κύλινδρο (βήμα 2).
3. Οδηγήστε τις δύο ακίδες της οδόντωσης μέσα στην υποδοχή 1, ωθήστε προς τα εμπρός στη θέση στην υποδοχή 3 και οι δύο ακίδες θα επανέλθουν αυτόματα στη θέση τους (βήμα 3 & 4).

| | | | |
|-----|-----------|-----|-----------|
| H-1 | Πείρος | H-2 | Υποδοχή 1 |
| H-3 | Υποδοχή 2 | H-4 | Υποδοχή 3 |

ΜΕΤΑΦΟΡΑ ΚΑΙ ΑΠΟΘΗΚΕΥΣΗ

- Αφαιρέστε τη συστοιχία μπαταριών από την ηλεκτρική κεφαλή.
- Αφήνετε πάντοτε το προϊόν να κρυώνει πριν το αποθηκεύσετε.
- Καθαρίζετε σχολαστικά το προϊόν πριν το αποθηκεύσετε.
- Αποθηκεύετε το προϊόν σε στεγνό, καλά αεριζόμενο χώρο, ασφαλισμένο ή σε σημείο ψηλά ώστε να μην το φτάνουν παιδιά. Μην αποθηκεύετε το προϊόν επάνω ή δίπλα σε λιπάσματα, βενζίνη ή άλλες χημικές ουσίες.

ΠΡΟΣΤΑΣΙΑ ΤΟΥ ΠΕΡΙΒΑΛΛΟΝΤΟΣ



Μην απορρίπτετε ηλεκτρικό εξοπλισμό, παλιές μπαταρίες και φορτιστές στα οικιακά απορρίμματα! Μεταφέρετε αυτό το προϊόν σε εξουσιοδοτημένο κέντρο ανακύκλωσης και διαθέστε το για ξεχωριστή συλλογή. Οι ηλεκτρικές μηχανές πρέπει να επιστρέφονται σε περιβαλλοντικά συμβατή μονάδα ανακύκλωσης.

ΑΝΤΙΜΕΤΩΠΙΣΗ ΠΡΟΒΛΗΜΑΤΩΝ

| ΠΡΟΒΛΗΜΑ | ΑΙΤΙΑ | ΑΝΤΙΜΕΤΩΠΙΣΗ |
|-----------------------------------------------------------------------------|---------------------------------------------------------------------------------------------------------------------------------------------------------------------------------------------------------------------------------------------------------------------|-------------------------------------------------------------------------------------------------------------------------------------------------------------------------------------------------------------------------------------------------------------------------------------------------------------|
| Ο κινητήρας δεν ενεργοποιείται | <ul style="list-style-type: none"> ■ Η συστοιχία μπαταριών έχει αδειάσει. ■ Το κουμπί κλειδώματος ή ο διακόπτης ενεργοποίησης δεν χρησιμοποιούνται σωστά. ■ Η συστοιχία μπαταριών δεν έχει εισαχθεί πλήρως στην υποδοχή μπαταρίας. | <ul style="list-style-type: none"> ■ Φορτίστε τη συστοιχία μπαταριών. ■ Ανατρέξτε στο απόσπασμα «ΕΚΚΙΝΗΣΗ/ΣΤΑΜΑΤΗΜΑ ΤΗΣ ΗΛΕΚΤΡΙΚΗΣ ΚΕΦΑΛΗΣ» στο εγχειρίδιο της ηλεκτρικής κεφαλής. ■ Ελέγξτε εάν η συστοιχία μπαταριών έχει εισαχθεί πλήρως στην υποδοχή μπαταρίας. |
| Το μηχάνημα κάνει μη φυσιολογικούς θορύβους. | <ul style="list-style-type: none"> ■ Υπολείμματα ή ξένα αντικείμενα εμποδίζουν τις οδοντώσεις μηχανήματος. | <ul style="list-style-type: none"> ■ Σταματήστε τον κινητήρα, αφαιρέστε τη συστοιχία μπαταριών και αφαιρέστε υπολείμματα ή ξένα αντικείμενα που εμποδίζουν το μηχάνημα να λειτουργεί σωστά. |
| Το μηχάνημα δεν λειτουργεί σωστά ή τα αποτελέσματα δεν είναι ικανοποιητικά. | <ul style="list-style-type: none"> ■ Το γρασίδι είναι πολύ ψηλό. | <ul style="list-style-type: none"> ■ Κόψτε το γραζόν πριν από την αποβρύωση. |
| | <ul style="list-style-type: none"> ■ Υγρά υπολείμματα κολλάνε στην κάτω πλευρά του ντεκ. | <ul style="list-style-type: none"> ■ Πριν από την αποβρύωση περιμένετε να στεγνώσει το γρασίδι. |
| | <ul style="list-style-type: none"> ■ Το βάθος έχει τεθεί σε λάθος ρύθμιση. | <ul style="list-style-type: none"> ■ Ρυθμίστε το βάθος των οδοντώσεων ώστε να επιτύχετε το επιθυμητό αποτέλεσμα. |
| | <ul style="list-style-type: none"> ■ Οι οδοντώσεις έχουν φθαρεί ή έχουν ζημιές. | <ul style="list-style-type: none"> ■ Αντικαταστήστε τις οδοντώσεις όπως απαιτείται. |

ΕΓΓΥΗΣΗ

ΠΟΛΙΤΙΚΗ ΕΓΓΥΗΣΗΣ EGO

GR

Επισκεφθείτε την ιστοσελίδα egopowerplus.eu για όλους τους όρους και τις προϋποθέσεις της πολιτικής εγγύησης EGO.

TÜM TALİMATLARI OKUYUN!



KULLANIM KILAVUZUNU OKUYUN

GÜVENLİK SEMBOLLERİ

Güvenlik sembollerinin amacı olası tehlikelere dikkatinizi çekmektir. Güvenlik sembolleri ve yanlarındaki açıklamalar özel dikkat ve anlayış göstermenizi gerektirir. Uyarı sembolleri kendi başlarına herhangi bir tehlikeyi gidemez. Sembollerde belirtilen talimatlar ve uyarılar uygun kaza önleme tedbirlerinin yerine geçmez.

⚠ UYARI: Bu makineyi kullanmadan önce "TEHLİKE", "UYARI" ve "DİKKAT" gibi güvenlikle ilgili tüm uyarı sembollerini içeren bu Kullanım Kılavuzundaki tüm güvenlik talimatlarını okuyup anladığınızdan emin olun. Aşağıdaki talimatların tamamına uyulmaması elektrik çarpması, yangın ve/veya ciddi fiziksel yaralanma ile sonuçlanabilir.

SEMBOLÜN ANLAMI

⚠ GÜVENLİK UYARISI SEMBOLÜ: TEHLİKE, UYARI VEYA DİKKAT durumlarını gösterir. Diğer semboller veya resimlerle birlikte kullanılabilir.



⚠ UYARI: Makineler kullanılırken yabancı nesnelere gözlerinize fırlatabilir ve bu da gözlerinize ciddi biçimde zarar verebilir. Makineyi kullanmaya başlamadan önce daima göz koruması veya yan siperleri olan koruyucu gözlük


takın ve gerektiğinde tam yüz siperi kullanın. Gözlük üzerinde kullanım için Geniş Görüşlü Güvenlik Maskesi takmanızı veya yan siperleri olan standart koruyucu gözlük takmanızı öneririz.

GÜVENLİK TALİMATLARI

Bu sayfada, bu ürün üzerinde görülebilecek güvenlik sembolleri gösterilmekte ve açıklanmaktadır. Makineyi monte etmeye ve kullanmaya başlamadan önce makineye ilişkin tüm talimatları okuyup anlayın ve bu talimatlara uyun.

| | | |
|--|------------------------------------------------------------------|------------------------------------------------------------------------------------------------------------------------------------|
| | Güvenlik Uyarısı | Olası bir yaralanma tehlikesi olduğunu belirtir. |
| | Kullanım Kılavuzunu Okuyun ve Anlayın | Yaralanma riskini azaltmak için, kullanıcı bu ürünü kullanmadan önce kullanım kılavuzunu okuyup anlamalıdır. |
| | Koruyucu Gözlük Takın | Bu ürünü kullanırken daima göz koruması, yan siperleri olan koruyucu gözlük ya da tam yüz maskesi takın. |
| | UYARI – Fırlayan nesnelere dikkat edin, çevredekileri uzak tutun | Kullanıcıyı fırlayan nesnelere karşı uyarır; çevredekileri uzak tutun. |
| | TEHLİKE – Ellerinizi ve Ayaklarınızı Uzak Tutun | Kullanıcıları ellerini ve ayaklarını uzak tutmaları konusunda uyarır. |
| | UYARI – Ellerinizi ve Ayaklarınızı Sivri Dişlerden Uzak Tutun | Kullanıcıyı ellerini ve ayaklarını sivri dişlerden uzak tutması konusunda uyarır. |
| | CE | Bu ürün, yürürlükteki AB yönetmeliklerine uygundur. |
| | UKCA | Bu ürün, yürürlükteki Birleşik Krallık yasalarına uygundur. |
| | WEEE | Atık elektrikli ürünler, evsel atıklar ile birlikte bertaraf edilmemelidir. Yetkili bir geri dönüşüm merkezine teslim edilmelidir. |
| | Gürültü | Garanti edilen ses gücü seviyesini belirtir. Çevre gürültü emisyonu Avrupa Birliği Yönetmeliğine uygundur. |

TR

| | | |
|-----------------------------------------------------------------------------------|----------------------------------------|------------------------------------------------|
| V | Volt | Voltaaj |
|  | Doğru Akım (DC) | Akımın türü veya özelliği |
| mm | Milimetre | Uzunluk veya boyut |
| kg | Kilogram | Ağırlık |
| dk. | Dakika | Zaman |
| n ₀ | Yüksüz Hız | Yüksüz dönüş hızı |
| dk. ⁻¹ | Dakikada devir veya ileri geri hareket | Dakikada devir, vuruş, yüzey hızı, yörünge vb. |
| RPM | Dakikada Devir Sayısı | Dönüş hızı |
| °C | Santigrat Derece | Sıcaklık |

⚠ UYARI: Emniyet ve güvenilirliği sağlamak için tüm tamir işleri yetkili bir servis teknisyeni tarafından yapılmalıdır.

AKÜ/BATARYA İLE ÇALIŞAN MAKİNELER İÇİN GENEL GÜVENLİK UYARILARI

⚠ UYARI: BU MAKİNE İLE BİRLİKTE VERİLEN TÜM GÜVENLİK UYARILARINI, TALİMATLARINI, RESİMLİ AÇIKLAMALAR VE TEKNİK ÖZELLİKLERİ OKUYUN. Aşağıdaki talimatların tamamına uyulmaması elektrik çarpması, yangın ve/veya ciddi yaralanma ile sonuçlanabilir.

TR

TÜM UYARI VE TALİMATLARI GELECEKTE BAŞVURU AMACIYLA MUHAFAZA EDİN.

Uyarılarda geçen "makine" terimi, elektrikle çalışan (kablo- lu) veya akü ile çalışan (kablesuz) makineleri ifade eder.

ÇALIŞMA ALANI GÜVENLİĞİ

- Çalışma alanını temiz tutun ve yeterli aydınlatma sağlayın. Karışık veya karanlık alanlar kazalara yol açar.
- Makineleri yanıcı sıvılar, benzin veya toz gibi maddelerin bulunduğu ortamlarda çalıştırmayın. Makineler, tozları veya dumanları tutuşturabilecek kıvılcımlar oluşturur.

- Bir makineyi kullanırken çocukların ve etraftaki kişilerin makineden uzakta olduğundan emin olun. Dikkatinizin dağılması kontrolü kaybetmenize neden olabilir.

ELEKTRİK GÜVENLİĞİ

- Makine fişleri prize uygun olmalıdır. Fiş üzerinde asla değişiklik yapmayın. Topraklı (topraklamalı) makineler için herhangi bir adaptör fişi kullanmayın. Üzerinde değişiklik yapılmamış fişler ve uygun prizler elektrik çarpması riskini azaltır.
- Boru, radyatör, fırınlı ocak ve buzdolabı gibi topraklanmış yüzeylerle temastan kaçının. Topraklanmış yerlerle temas etmeniz halinde elektrik çarpması riski artar.
- Makineyi yağmurlu veya ıslak koşullarda çalıştırmayın. Aksi halde elektrik çarpması riski artabilir.
- Kabloyu hatalı kullanmayın. Kabloyu asla makineyi taşımak, çekmek veya fişi prizden çıkarmak için kullanmayın. Kabloyu sıcaktan, yağdan, keskin kenarlardan veya hareketli parçalardan uzak tutun. Hasarlı veya birbirine dolaşmış kablolar elektrik çarpması riskini artırır.
- Bir makineyi açık havada kullanırken, uygun bir dış mekan uzatma kablosu kullanın. Dış mekan için uygun bir kablondan kullanılması elektrik çarpması riskini azaltır.
- Makinenin rutubetli bir ortamda kullanılması gerekirse kaçak akım rölesi (GFCI) bulunan bir şebeke kullanın. GFCI kullanmak elektrik çarpması riskini azaltır.

KİŞİSEL GÜVENLİK

- Makineyi kullanırken daima dikkatli olun, yaptığınız işe yoğunlaşın ve sağduyulu davranın. Makineyi yorgunken ya da uyuşturucu, alkol ya da ilaç etkisi altında kullanmayın. Makineleri kullanırken bir anlık dikkatsizlik ciddi kişisel yaralanmayla sonuçlanabilir.
- Kişisel koruyucu ekipman kullanın. Daima koruyucu gözlük takın. Koşullara uygun toz maskesi, kaymaz emniyet ayakkabıları, kask veya işitme koruması gibi koruyucu ekipman kullanılması yaralanmaları azaltır.
- Yanlışlıkla çalıştırmaktan kaçının. Makinenin güç kaynağı ve/veya akü ile bağlantısını yapmadan, kaldırmadan veya taşımadan önce açma/kapatma düğmesinin kapalı olduğundan emin olun. Parmağınız açma/kapatma düğmesinin üzerindeyken veya çalışır haldeyken makineleri taşımak kazalara davetiye çıkarır.
- Makineye takılı herhangi bir alyan veya anahtar varsa makineyi çalıştırmadan önce bunları çıkarın.

Makinenin döner parçalarına takılı bir alyan veya anahtar yaranmalara neden olabilir.

- **Dengesiz bir duruşla çalışma yapmayın. Çalışma süresince ayaklarınızı sağlam basın ve dengeyi koruyun.** Bu sayede beklenmedik durumlarda makine daha iyi kontrol edilebilir.
- **Uygun bir şekilde giyinin. Bol giysiler giymeyin veya takı takmayın. Saçlarınızı ve elbiselerinizi hareketli parçalardan uzak tutun.** Bol giysiler, takılar veya uzun saçlar hareketli parçalara takılabilir.
- **Toz emme ve toplama araçlarının bağlantısı için sağlanan cihazlar varsa bunların takılı olduğundan ve düzgün bir biçimde kullanıldığından emin olun.** Toz toplama araçlarının kullanımı tozdan kaynaklanabilecek tehlikeleri azaltabilir.
- **Makineleri sık kullanarak edindiğiniz alışkanlık rahat olmanıza ve makinelerin güvenlik ilkelerini göz ardı etmenize neden olmamalıdır.** Dikkatsiz bir hareket, bir saniyeden daha kısa bir sürede ağır yaralanmalara neden olabilir.

MAKİNE KULLANIMI VE BAKIMI

- **Makineyi zorlamayın. Uygulamaya için doğru makineyi kullanın.** Doğru makine, tasarımına uygun değerlerde kullanıldığında daha iyi ve daha güvenli çalışır.
- **Açma/kapatma düğmesi çalışmıyorsa makineyi kullanmayın.** Açma/kapama düğmesi ile kontrol edilemeyen bir makine tehlikelidir ve onarılması gerekir.
- **Herhangi bir ayar işlemi, aksesuar değişimi veya makinenin depoya kaldırılması öncesinde fişi prizden çekin ve/veya eğer çıkarılabiliyorsa aküyü makineden çıkarın.** Bu tür önleyici güvenlik önlemleri, makinenin yanlışlıkla çalışması riskini azaltır.
- **Kullanılmayan makineleri çocukların erişemeyeceği bir yerde saklayın ve makine veya bu talimatlar hakkında bilgi sahibi olmayan kişilerin makineyi çalıştırmasına izin vermeyin.** Makineler eğitimsiz kullanıcıların elinde tehlikelidir.
- **Makinelerin ve aksesuarların bakımını yapın.** Hareketli parçaların kusursuz olarak işlev görüp görmediğini ve sıkışıp sıkışmadığını, parçaların hasarlı olup olmadığını ve makinenin çalışmasını etkileyebilecek tüm diğer koşulları kontrol edin. Hasar görmüşse kullanmadan önce makineyi tamir ettirin. Kazaların çoğu, makine bakımının yeterli şekilde yapılmamasından kaynaklanır.
- **Kesici makineleri keskin ve temiz tutun.** Keskin kesim kenarlarına sahip, bakımı düzgün yapılmış kesim makineleri daha az sorun çıkarır ve kontrolü kolaydır.

- **Makineyi, aksesuarlarını ve makine uçlarını vb. çalışma şartlarını ve yapılacak işi dikkate alarak bu talimatlara uygun şekilde kullanın.** Makinenin kullanım amacı dışındaki işlerde kullanılması tehlikeli durumlara neden olabilir.
- **Tutma saplarını/kollarını ve kavrama yüzeylerini kuru, temiz, benzin ve yağdan uzak tutun.** Kaygan tutma kolları ve kavrama yüzeyleri, makinenin beklenmeyen durumlarda güvenli bir şekilde tutulmasına ve kontrol edilmesine izin vermez.

AKÜ İLE ÇALIŞAN MAKİNELERİN KULLANIMI VE BAKIMI

- **Sadece üretici tarafından belirtilen şarj cihazı ile şarj edin.** Bir akü türü için uygun olan şarj cihazı, başka bir akü ile kullanıldığında yangın riski oluşturabilir.
- **Makineleri sadece özel olarak tasarlanan akülerle birlikte kullanın.** Başka akü türlerinin kullanımı yaralanma ve yangın tehlikesi oluşturabilir.
- **Akü/batarya takımı kullanımda olmadığı durumlarda akü/batarya takımını ataş, bozuk para, anahtar, çivi, vida veya akü/batarya kutupları arasında kısa devre yapabilecek diğer metal nesnelere uzak tutun.** Akü kutuplarının kısa devre yapılması yangın veya yanıklara neden olabilir.
- **Kötü şartlar altında aküden sıvı akışı olabilir; bu sıvı ile temas etmekten kaçının. Yanlışlıkla temas edilirse etkilenen bölgeyi su ile yıkayın.** Sıvı göze temas ederse ayrıca tıbbi yardım alın. Aküden/bataryadan akan sıvı tahriş veya yanıklara neden olabilir.
- **Hasarlı veya üzerinde değişiklik yapılmış bir aküyü veya makineyi kullanmayın.** Hasarlı veya üzerinde değişiklik yapılmış aküler yangın, patlama veya yaralanma riskine neden olacak şekilde beklenmeyen davranışlar gösterebilir.
- **Akü/Batarya takımını veya makineyi ateşe veya aşırı sıcaklıklara maruz bırakmayın.** Ateşe veya 130 °C'nin üzerindeki sıcaklıklara maruz kalması patlamaya neden olabilir.
- **Tüm şarj talimatlarına uyun ve akü takımını veya makineyi talimatlarda belirtilen sıcaklık aralığının dışındaki sıcaklıklarda şarj etmeyin.** Hatalı veya belirtilen sıcaklık aralığının dışındaki sıcaklıklarda şarj etmek, aküye/bataryaya zarar verebilir ve yangın riskini artırır.

SERVİS

- **Makinenizi sadece orijinal yedek parça kullanan yetkili bir servis personeline tamir ettirin.** Bu sayede makinenin güvenliğinin korunması sağlanır.

TR

- Asla hasarlı akülere bakım-onarım yapmayın. Akülerin/bataryaların bakımı sadece üretici veya yetkili servisler tarafından yapılmalıdır.

ÇİM HAVALANDIRICI GÜVENLİK UYARILARI

- **Kötü hava koşullarında, özellikle de yıldırım riski olduğunda makineyi kullanmayın.** Bu sayede yıldırım çarpması riskini azaltmış olursunuz.
- **Makinenin kullanılacağı alanı yabancı hayat açısından etrafıca kontrol edin.** Makine çalışırken yabancı hayvanlar yaralanabilir.
- **Makinenin kullanılacağı alanı etrafıca kontrol edin, tüm taş, sopa, kablo, kemik ve diğer yabancı cisimleri kaldırın.** Fırlayan nesnelere yaralanmaya neden olabilir.
- **Makineyi kullanmadan önce sivri dişlerin ve sivri diş tertibatının aşınmış veya hasarlı olup olmadığını görmek için her zaman görsel olarak kontrol edin.** Aşınmış veya hasarlı parçalar yaralanma riskini artırır.
- **Koruyucu muhafazaları yerinde tutun. Muhafazalar çalışır durumda olmalı ve uygun şekilde monte edilmelidir.** Gevşek, hasarlı veya düzgün çalışmayan bir muhafaza yaralanmaya neden olabilir.
- **Tüm soğutma hava girişlerini temiz tutun.** Tıkalı hava girişleri ve birikintiler aşırı ısınmaya veya yangın riskine neden olabilir.
- **Makineyi çalıştırırken daima kaymayan ve koruyucu ayakkabılar giyin. Çıplak ayakla veya açık sandaletlerle makineyi çalıştırmayın.** Böylece hareketli sivri dişlere temastan dolayı ayakların yaralanma olasılığı azalır.
- **Makineyi çalıştırırken daima uzun pantolon giyin.** Açıkta cilt, fırlatılan nesnelere kaynaklı yaralanma olasılığını artırır.
- **Makineyi ıslak çimlerde çalıştırmayın. Yürüyün, asla koşmayın.** Bu önleme uyulması, yaralanmaya neden olabilecek kayma ve düşme riskini azaltır.
- **Makineyi aşırı dik eğimlerde çalıştırmayın.** Bu önleme uyulması, yaralanmaya neden olabilecek kontrol kaybı, kayma ve düşme riskini azaltır.
- **Eğimli yerlerde çalışırken her zaman ayakta durun, her zaman eğime karşı çalışın, asla yukarı veya aşağı hareket etmeyin ve yön değiştirirken çok dikkatli olun.** Bu önleme uyulması, yaralanmaya neden olabilecek kontrol kaybı, kayma ve düşme riskini azaltır.
- **Geriye giderken veya makineyi kendinize doğru çekerken çok dikkatli olun. Her zaman etrafınızı kontrol edin.** Bu önleme uyulması, çalışma sırasında takılma riskini azaltır.

- **Sivri dişler görünmeyen kablolar ile temas edebileceği için makineyi sadece yalıtımlı tutma yüzeylerinden tutun.** "Elektrikli" bir kabloya temas eden sivri dişler, makinenin metal kısımlarını da "elektrikli" yapabilir ve makineyi kullanan kişinin çarpılmasına neden olabilir.
- **Sivri dişlere ve diğer tehlikeli hareketli parçalara hareket halindeyken dokunmayın.** Bu önleme uyulması, hareketli parçalardan kaynaklanan yaralanma riskini azaltır.
- **Sıkışan malzemeyi çıkarırken veya makineyi temizlerken, tüm güç düğmelerinin kapalı olduğundan ve akü bağlantısının kesildiğinden emin olun.** Makinenin beklenmedik şekilde çalışması ciddi yaralanmalara neden olabilir.

EK GÜVENLİK UYARILARI

- Sadece EGO Elektrikli Alet Başlığı PH1400E/PH1420E/PHX1600 ile kullanın.
NOT: Ayrıntılı güvenlik kuralları ve çalışma talimatları için EGO Elektrikli Alet Başlığı PH1400E/PH1420E/PHX1600'un kullanım kılavuzuna bakın.

BU TALİMATLARI SAKLAYIN

TEKNİK ÖZELLİKLER

| | |
|----------------------------------------|------------------------------------------|
| Maksimum Çalışma Geniştirliği | 355 mm |
| Yüksüz Hız (PH1420E ile) | Düşük: 2600 RPM |
| | Yüksek: 3000 RPM |
| Derinlik Ayarı | 3 pozisyon |
| Çim Havalandırma Derinliği | 0 / 10 mm / 20 mm |
| Önerilen Çalışma Sıcaklığı | 0°C – 40°C |
| Tavsiye Edilen Depolama Sıcaklığı | -20°C – 70°C |
| Ölçülen ses güç düzeyi L _{WA} | 88 dB(A) K=2 dB(A) (PH1400E) |
| | 88,49 dB(A) K=0,81 dB(A) (PH1420E) |
| | 90 dB(A) K=0,9 dB(A) (PHX1600) |

| | | |
|-------------------------------------------------------------------------|--------------------------------------|------------------------------------------------------------------|
| Operatörün kulağındaki ses basıncı seviyesi L_{PA} | 82 dB(A) K=3 dB(A) (PH1400E) | |
| | 79,8 dB(A) K=3 dB(A) (PH1420E) | |
| | 82 dB(A) K=3 dB(A) (PHX1600) | |
| Garanti edilen ses gücü seviyesi L_{WA} (2000/14/EC uyarınca ölçülen) | 92 dB(A) | |
| Titreşim değeri a_h | Ön destek sapı | 2,35 m/sn. ² K=1,5 m/sn. ² (PH1400E) |
| | | 2,36 m/sn. ² K=1,5 m/sn. ² (PH1420E) |
| | | 2,63 m/sn. ² K=1,5 m/sn. ² (PHX1600) |
| | Rear handle | 2,66 m/sn. ² K=1,5 m/sn. ² (PH1400E) |
| | | 2,24 m/sn. ² K=1,5 m/sn. ² (PH1420E) |
| | | 1,74 m/sn. ² K=1,5 m/sn. ² (PHX1600) |
| Ağırlık (çim havalandırıcı silindiri ile) | 7,4 kg | |

- Yukarıdaki parametreler, elektrikli alet başlığı PH1400E/PH1420E/PHX1600 takılı olarak test edilmiş ve ölçülmüştür.
- Beyan edilen toplam titreşim değeri standart bir test yöntemine göre ölçülmüştür ve bir ürünün diğeri ile karşılaştırmak için kullanılabilir.
- Beyan edilen toplam titreşim değeri, maruz kalma seviyesinin ilk değerlendirmesi için de kullanılabilir.

⚠ UYARI: Makinenin fiili kullanımı sırasında oluşan titreşim emisyonu değeri makinenin kullanım şekline bağlı olarak beyan edilen değerden farklı olabilir. Operatör korunmak için fiili kullanım koşullarında eldiven ve kulak koruması takmalıdır.

⚠ UYARI: Gerçek kullanım koşullarında tahmini maruz kalmaya bağlı olarak kullanıcıyı korumak için güvenlik önlemlerinin alınması gereklidir (makinenin kapalı

kaldığı zamanlar ve tetikleme süresine ek olarak boşta çalışma gibi çalışma döngüsüne ait tüm zamanlar dikkate alınmalıdır).

AÇIKLAMA

ÇİM HAVALANDIRMA APARATINIZI TANIYIN (Şek. A)

- Uç Kapak (2)
- Aparat Mili
- Alt Kapak
- Tekerlek
- Alt Kapak Aksamı
- Derinlik Ayarlama Kolu
- Deflektör Muhafazası
- Kazıyıcı Çubuk
- 4 mm alyan anahtarı
- 5 mm Alyan Anahtarı
- Tırmık Dişi
- Çim Havalandırıcı Silindiri

MONTAJ

⚠ UYARI: Hasarlı veya eksik parça varsa bu parçalar değiştirilinceye kadar ürünü çalıştırmayın. Bu ürünün hasarlı veya eksik parçalar ile kullanılması ciddi yaralanmalara yol açabilir.

⚠ UYARI: Bu ürün üzerinde değişiklik yapmaya veya bu ürünle kullanılması önerilmeyen aksesuarlar oluşturmaya çalışmayın. Bu tür değişiklikler veya modifikasyonlar hatalı kullanımdır ve ciddi yaralanmalara neden olabilen tehlikeli bir duruma sebep olabilir.

APARAT MİLİNİ ÇİM HAVALANDIRICI AKSAMINA BAĞLAMA (Şek. B)

| | | | |
|-----|-------------|-----|-------------|
| B-1 | M5 Cıvata | B-4 | Delik |
| B-2 | Cıvata | B-5 | Vida Deliği |
| B-3 | Aparat Mili | B-6 | Alt Kapak |

- Çim havalandırıcı aksamını düz ve sabit bir zemine ters şekilde koyun.
- Aparat milinin ön ucundan uç kapağını çıkarın.
- Aparat milindeki delik yukarı bakacak şekilde, aparat milini bağlantı parçasının alt kapağına gidebildiği kadar yerleştirin. Alt kapaktaki vida deliğini, aparat milindeki delikle hizalayın.

TR

4. Ürünle birlikte verilen 4 mm alyan anahtarını kullanarak alt kapağı M5 civatayla aparat miline sabitleyin.
5. Alyan anahtarını kullanarak, alt kapağa önceden takılmış iki civatayı iyice sıkın.

⚠ UYARI: Cihazı çalıştırmadan önce üç civatanın tamamen sıkıldığından emin olun; ciddi yaralanmaların önüne geçmek için kullanım sırasında düğmenin sıkılığını düzenli olarak kontrol edin.

ÇİM HAVALANDIRICI APARATINI ELEKTRİKLİ ALET BAŞLIĞINA BAĞLAMA

Bu çim biçme aparatı EGO Elektrikli Alet Başlığı PH1400E/PH1420E/PHX1600 ile kullanılmak üzere tasarlanmıştır.

Elektrikli alet başlığı PH1400E/PH1420E/PHX1600 kullanım kılavuzunda yer alan **"ELEKTRİKLİ ALET BAŞLIĞINA APARAT TAKMA"** bölümüne bakın.

ÇALIŞTIRMA

⚠ UYARI: Bu ürüne karşı edindiğiniz alışkanlığın sizi dikkatsiz yapmasına izin vermeyin. Bir anlık dikkatsizliğin ciddi yaralanmalara sebep olabileceğini unutmayın.

⚠ UYARI: Daima koruyucu gözlük takın. Aksi halde gözlerinize nesnelere fırlayabilir ve başka ciddi yaralanmalar oluşabilir.

⚠ UYARI: Ciddi yaralanmaları önlemek için bakım, temizlik, aparat değişimi veya ünitelerden malzeme çıkarma işlemlerinden önce akü takımını üründen çıkarın.

⚠ UYARI: Bu ürünün üreticisi tarafından önerilmeyen herhangi bir aparatı veya aksesuarı kullanmayın. Tavsiye edilmeyen aksesuarların veya aparatların kullanımı ciddi yaralanmalara sebep olabilir.

KULLANIM ALANLARI

Çimlerdeki eski, kurumuş kesimleri, yosunları, çimleri veya kök kalıntıları temizleyebilirsiniz.

ÇİM HAVALANDIRICIYI ÇALIŞTIRMA/DURDURMA

Çim Havalandırıcıyı Kullanmadan Önce

⚠ UYARI: Ciddi kişisel yaralanmaları önlemek için bu ürünü çalıştırırken her zaman koruyucu gözlük veya emniyet gözlüğü takın. Çalışma ortamı tozluysa, yüz veya toz maskesi takın. Uçuşan döküntülerin neden olabileceği yaralanma riskini azaltmak için çalışma sırasında uygun kıyafet ve ayakkabı giyin.

- Kullanmadan önce üründe hasar olup olmadığını dikkatlice inceleyin. Ürün hasarlıysa veya yıpranmışsa ürünü kullanmayın.

- Çimlerin, ürüne zarar verebilecek taş, çubuk, tel veya diğer nesnelere temizlendiğinden emin olun.
- Çalışmadan önce çimleri biçin ve sonrasında gübreleyin.

Çalıştırma İpuçları

İlkbaharda sağlıklı bir çim gelişimi için çim köklerinin etrafındaki alana daha fazla hava girmesi gerekir. Çimlerin durumuna bağlı olarak ilkbahar veya sonbaharda yılda en az iki kez çimlerinizi temizlemenizi öneririz.

- Güvenliğiniz için 15 dereceden daha fazla eğime sahip yerlerde çalışmayın. Eğimli yüzeylerde yukarı aşağı değil, yatay olarak çalışın. Eğimli yerlerde yön değiştirirken son derece dikkatli olun.
- Bu ürünü ıslak çimlerde kullanmayın çünkü ıslak çimler havalandırıcı haznesine ve sivri dişlere yapışır, ayrıca kayıp düşmenize neden olabilir.
- Ürünü iki elinizle tutun. Güvenli destek sağlaması için tutma kollarını kuru tutun.
- Ürünü yavaşça ileri itin. Ürünü uygun hızda hareket ettirin. Sivri dişlerin sıkışıp motorun aşırı yüklenmesine neden olmaması için çok hızlı hareket ettirmeyin.
- Çalışma alanına başka insanlar girerse ürünü hemen kapatın. Ürünü bırakmadan önce mutlaka tamamen durmasını bekleyin.
- Fazla çalışmayın. İşe konsantre olabilmeyiz ve makine üzerinde tam kontrole sahip olmanızı sağlamak için düzenli molalar verin.
- Haffçe üst üste binen sıralar halinde çalışın. En etkili desen, kenarlardan biri boyunca uzanan düz çizgilerdir (Şek.C). Bu işlem, sıraların eşit kalmasını ve tüm çimlerin hiçbir nokta atlanmadan temizlenmesini sağlar.
- Yön değiştirirken özellikle dikkat edin.
- Bastığınız yerlerin sağlam olduğundan emin olun. Kayma ve düşmeler ciddi kişisel yaralanmalara neden olabilir. Dengenizi kaybettiğinizde motoru hemen kapatın.
- Yamaçların, çukurların veya dolgu alanların yakınında çalışmayın; dengenizi kaybedebilirsiniz.

Çim Havalandırıcı Aparatı Çalıştırma/Durdurma

PH1400E/PH1420E/PHX1600 kullanım kılavuzundaki **"ELEKTRİKLİ ALET BAŞLIĞINI ÇALIŞTIRMA/DURDURMA"** bölümüne bakın.

⚠ UYARI: Çim dışındaki yüzeylerden geçerken ve makineyi kullanılacağı alana götürüp getirirken, makinenin taşınması sırasında yatırılması gerekiyorsa makineyi durdurun.

⚠ UYARI: Makinenin çalıştırılması için yatırılması gerekmedikçe, motoru çalıştırırken makineyi yatırmayın. Ürünün yatırılması gerekirse, yatırma işlemini sadece gerektiği kadar ve operatöre uzak olan tarafından yapın.

Sivri dişlerde tıkanma olup olmadığını kontrol etme

- Tıkanıklığı önlemek için her kullanımdan önce ve sonra makinenin alt kısmını temizleyerek biriken pislikleri temizleyin.
- Tıkanma olduğunda makineyi durdurun ve akü takımını çıkarın, ardından sivri dişler ve havalandırıcı haznesi üzerinde veya çevresinde biriken çim ve yaprakları temizleyin. Makineyi nemli bir bezle temizleyin.

DERİNLİĞİ AYARLAMA (Şek. D)

⚠ UYARI: Derinliği ayarlarken ayaklarınızı havalandırıcı haznesinden uzak tutun.

Çim havalandırma derinliği 3 derinlik konumuna ayarlanabilir:

1 ve 2: çalışma konumu

3: taşıma konumu

Çimlerinizin ihtiyacına göre derinliği ayarlayın.

1. Makineyi kapatın ve makinenin tamamen durmasını bekleyin.
2. Akü takımını çıkarın.
3. Derinlik ayarlama kolunu mandaldan dışarı çekin ve istediğiniz konuma ayarlayın.

| | | | |
|-----|------------------------|-----|-----------------|
| D-1 | Derinlik Ayarlama Kolu | D-2 | Derinlik Konumu |
|-----|------------------------|-----|-----------------|

BAKIM

⚠ UYARI: Makinenin kontrol, temizlik veya bakımından önce motoru durdurun ve tüm hareketli parçaların durmasını bekleyin, ardından aküyü çıkarın. Bu talimatlara uyulmaması ciddi yaralanmalara veya maddi hasara yol açabilir.

⚠ UYARI: Daima yan siperleri olan göz koruması kullanın. Aksi halde gözlerinize nesnelere fırlayabilir ve ciddi yaralanmalar oluşabilir.

⚠ UYARI: Bakım yaparken sadece orijinal yedek parçaları kullanın. Başka parçaların kullanılması tehlikeli olabilir veya üründe hasara sebep olabilir. Güvenlik ve güvenilirliği sağlamak için bu bakım talimatlarında belirtilenler dışındaki tüm onarımlar uzman bir servis teknisyeni tarafından gerçekleştirilmelidir.

⚠ UYARI: Yabancı bir cisme çarptığınızda makineyi durdurun ve tüm hareketli parçaların tamamen durduğundan emin olmak için akü takımını çıkarın. Ardından makinede hasar olup olmadığını inceleyin ve yeniden başlatıp çalıştırmadan önce onarımlarını yapın.

⚠ UYARI: Makine anormal şekilde titreşmeye başlarsa makineyi durdurun ve tüm hareketli parçaların tamamen durduğundan emin olmak için akü takımını çıkarın. Daha sonra hemen hasar olup olmadığını kontrol edin, hasarlı parçaları değiştirin veya onarın ve gevşek parçaları kontrol edip sıkın.

⚠ UYARI: Ayar yaparken, ürünün hareketli parçaları ile sabit parçaları arasına parmaklarınızı kaptırmamaya dikkat edin.

TEMİZLİK

⚠ UYARI: Çim havalandırma aparatını temizlerken, su veya diğer sıvıların içine DALDIRMAYIN.

Plastik parçaları temizlerken çözücü maddeler kullanmaktan kaçının. Çoğu plastik malzeme çeşitli ticari çözücü türlerinden etkilenmeye yatkındır ve bu çözücü maddelerin kullanılması durumunda zarar görebilirler. Kir, toz, yağ, gres vb. gidermek için temiz bez kullanın.

Yağlama

Bu üründeki tüm yataklar, normal çalışma koşullarında ünitenin ömrü için yeterli miktarda yüksek kaliteli yağlayıcı ile yağlanır. Bu nedenle, yatakların daha sonra yağlanması gerekmez.

SİLİNDİRİ DEĞİŞTİRME

⚠ UYARI: Herhangi bir bakım yapmadan önce mutlaka aküyü makineden çıkarın ve tırmık dişi silindiri tamamen durana kadar bekleyin. Sivri dişleri tutarken daima koruyucu eldiven giyin.

Silindiri çıkarmak için

1. Akü takımını elektrikli alet başlığından çıkarın.
2. Aparatı düz ve sabit bir zemine ters şekilde koyun.
3. Çim havalandırıcı silindirinin yatak yuvasındaki iki kilitleme civatasını gevşetmek ve çıkarmak için verilen 5 mm alyan anahtarını kullanın (Şek E1).
4. Çim havalandırıcı silindirini, sağ uçtaki dişli mili makinenin dişli göbeğinden dışarı çekilinceye kadar sola doğru itin (Şek E2).
5. Çim havalandırıcı silindirini makineden çıkarın (Şek E3).

| | | | |
|------|--------------|------|-----------------------------|
| E1-1 | Yatak Yuvası | E1-2 | Çim Havalandırıcı Silindiri |
| E2-1 | Mil | E2-2 | Mil Göbeği |

Yeni silindiri takmak için

1. Yeni silindirin yatak yuvasını makine tabanına yerleştirin ve silindiri gidebildiği kadar sola doğru itin (Şek. F1).
2. Silindirin sağ tarafındaki dışı milini makinenin dışı göbeğine hizalayın ve yerleştirin (Şek. F2).
3. Yatak yuvasındaki iki deliği tabandaki deliklerle hizalayın, yatak yuvasını kilitleme civatalarıyla tabana sabitleyin (Şek. F3).

TIRMIK DIŞLERİNİ DEĞİŞTİRME

Normal kullanımında tırmık dişleri zamanla aşınabilir veya kırılabilir. Diş derinliğini ayarlamak artık doğru miktarda çim temizleme sağlamadığında veya bir diş kırıldığında, dişleri değiştirmek için aşağıdaki adımları izleyin.

Dişi çıkarmak için

1. Akü takımını elektrikli alet başlığından çıkarın.
2. Aparatı düz ve sabit bir zemine ters şekilde koyun.
3. Tırmık dişinin iki pimini silindir üzerindeki 1 numaralı yuvaya itin ve tırmık dişini Şek. G'de gösterildiği gibi çim havalandırma silindirinden çekip çıkarın.

| | | | |
|-----|-----|-----|--------|
| G-1 | Pim | G-2 | Yuva 1 |
|-----|-----|-----|--------|

Tırmık dişini takmak için (Şek. U)

1. Tırmık dişinin pimini silindir üzerindeki 1 numaralı yuvaya yerleştirin (adım 1).
2. Tırmık dişinin yuvasını silindir üzerindeki 2 numaralı yuvaya yerleştirin (adım 2).
3. Tırmık dişinin iki pimini 1 numaralı yuvaya yerleştirin, 3 numaralı yuvadaki konuma doğru ileri doğru itin ve iki pim otomatik olarak yerine geri dönecektir (adım 3 ve 4).

| | | | |
|-----|--------|-----|--------|
| H-1 | Pim | H-2 | Yuva 1 |
| H-3 | Yuva 2 | H-4 | Yuva 3 |

TAŞIMA VE DEPOLAMA

- Akü takımını elektrikli alet başlığından çıkarın.
- Ürünü depoya kaldırmadan önce her zaman soğumasını bekleyin.
- Ürünü depoya kaldırmadan önce iyice temizleyin.
- Ürünü çocukların ulaşamayacağı kuru, iyi havalandırılmış, kilitli veya yüksek bir yerde depolayın. Ürünü gübre, benzin veya diğer kimyasal maddelerle birlikte veya yakınında depolamayın.

ÇEVRE KORUMASI



Elektrikli cihazları, kullanılmış aküleri ve şarj cihazını evsel atıklarla bertaraf etmeyin! Bu ürünü yetkili bir geri dönüşüm merkezine götürün ve ayrı bir şekilde toplanmasını sağlayın. Elektrikli makineler çevreyle uyumlu bir geri dönüşüm tesisine teslim edilmelidir.

SORUN GİDERME

| SORUN | NEDENİ | ÇÖZÜM |
|------------------------------------------------------------|----------------------------------------------------------------------------------------------------------------------------------------------------------------------------------------------------------|---------------------------------------------------------------------------------------------------------------------------------------------------------------------------------------------------------------------------------------------------------------------------------------------|
| Motor çalışmıyor. | <ul style="list-style-type: none"> Akü takımının şarjı boşalmıştır. Kilitleme düğmesi veya tetik düzgün kullanılmamıştır. Akü takımı akü yuvasına düzgün takılmamıştır. | <ul style="list-style-type: none"> Akü takımını şarj edin. Elektrikli alet başlığı kılavuzundaki "ELEKTRİKLİ ALET BAŞLIĞINI ÇALIŞTIRMA/DURDURMA" bölümündeki talimatları uygulayın. Akü takımının akü yuvasına tam olarak yerleştiğinden emin olun. |
| Makine anormal sesler çıkarıyor. | <ul style="list-style-type: none"> Makine dişlerini engelleyen kalıntı veya yabancı cisim vardır. | <ul style="list-style-type: none"> Motoru durdurun, akü takımını çıkarın ve makinenin düzgün çalışmasını engelleyen kalıntıları veya yabancı cisimleri temizleyin. |
| Makine düzgün çalışmıyor veya sonuçlar tatmin edici değil. | <ul style="list-style-type: none"> Çimler çok uzundur. | <ul style="list-style-type: none"> Çim havalandırma işleminden önce çimleri biçin. |
| | <ul style="list-style-type: none"> Islak kalıntılar havalandırma haznesinin altına yapışmıştır. | <ul style="list-style-type: none"> Çimleri havalandırmadan önce kurumasını bekleyin. |
| | <ul style="list-style-type: none"> Derinlik ayarı yanlış ayarlanmıştır. | <ul style="list-style-type: none"> İstedığınız sonucu elde etmek için dişlerin derinliğini ayarlayın. |
| | <ul style="list-style-type: none"> Dişler hasarlı veya aşınmıştır. | <ul style="list-style-type: none"> Gerektiğinde dişleri değiştirin. |

GARANTİ

EGO GARANTİ POLİTİKASI

EGO Garanti Politikasına ilişkin tüm hükümler ve koşullar için lütfen egopowerplus.eu adresindeki web sitesini ziyaret edin.

TR

LUGEGE KÕIKI JUHISEID!



LUGEGE KASUTUSJUHENIDIT

OHUTUSSÜMBOLID

Ohutussümbolite eesmärk on pöörata tähelepanu võimalikele ohtudele. Ohutussümbolitele ja nende juures olevatele seletustele tuleb korralikult tähelepanu pöörata ja need endale selgeks teha. Ohutussümbolid iseenesest ei kõrvalda ohtu. Nendega kaasnevad juhendid ja hoiatused ei asenda asjakohaseid õnnetuste ennetamise meetmeid.

⚠ HOIATUS: Enne käesoleva masina kasutamist lugege kindlasti läbi ja tehke endale selgeks kõik kasutusjuhendis toodud ohutusjuhised, sh kõik ohutussümbolid, nagu „OHT“, „HOIATUS“ ja „ETTEVAATUST“. Kui allpool loetletud juhiseid ei järgita, võib tagajärjeks olla elektrilöökk, tulekahju ja/või rasked kehavigastused.

SÜMBOLITE TÄHENDUSED

⚠ OHUTUSSÜMBOL: Tähistab OHTU, HOIATUST või ETTEVAATUST VAJADUST. Võidakse kasutada koos teiste sümbolite või piktogrammidega.



⚠ HOIATUS: Mis tahes masinate kasutamine võib põhjustada võrkehade paiskumist silma, mis võib tekitada tõsiseid silmakahjustusi. Masinate kasutamise ajal kandke alati kaitseprille või külgakaitsetega kaitseprille ja

vajadusel täielikku näokaitset. Soovitame kanda prillide peal laia vaatealaga kaitsemaski või standardseid külgakaitsetega kaitseprille.

OHUTUSJUHISED

Sel lehel on kujutatud ja kirjeldatud ohutussümboliteid, mida võib käesolevalt tootelt leida. Enne seadme kokkupanemist ja kasutamist lugege, tehke omale selgeks ja järgige kõiki juhiseid.

ET

| | | |
|---|--------------------------------------------------------------------------------------|--------------------------------------------------------------------------------------------------------------------------|
| | Ohutusteade | Tähistab võimalikku kehavigastuste ohtu. |
| | Lugege kasutusjuhend läbi ja tehke see endale selgeks | Et vähendada vigastuste ohtu, peab kasutaja enne toote kasutamist lugema kasutusjuhendit ja selle endale selgeks tegema. |
| | Kandke kaitseprille | Kandke selle toote kasutamise ajal alati kaitseprille või külgakaitsetega kaitseprille ja täielikku näokaitset. |
| | HOIATUS - Hoiduge väljapaiskuvate esemete eest, hoidke kõrvalseisjad ohutuskauguses. | Hoiatab kasutajat väljapaiskuvate objektide eest - hoidke kõrvalseisjad eemal. |
| | OHT – Hoidke käed ja jalad eemal | Hoiatab kasutajat käte ja jalgade eemalehoidmise eest. |
| | HOIATUS - Hoidke käed ja jalad piidest eemal | Hoiatab kasutajat käte ja jalgade piidest eemalehoidmise eest. |
| | CE | Toode vastab kohaldatavatele EÜ direktiividele. |
| | UKCA | Toode vastab kohaldatavatele Ühendkuningriigi õigusaktidele. |
| | WEEE | Elektriseadmete jäätmeid ei tohi visata olmejäätmete hulka. Viige volitatud taaskäitleja juurde. |
| | Müra | Garanteeritud helivõimsuse tase. Seadme müra keskkonnas on Euroopa Ühenduse direktiiviga vastavuses. |
| V | Volti | Pinge |

| | | |
|-------------------|-----------------------------------|--------------------------------------------------------|
| | Alalisvool (DC) | Voolu tüüp või omadus |
| mm | Millimeeter | Pikkus või suurus |
| kg | Kilogramm | Kaal |
| min | Minutit | Aeg |
| n ₀ | Tühikäigu kiirus | Tühikäigu pöörlemiskiirus |
| Min ⁻¹ | Pöörete arv või vastukäik minutis | Pöörete arvud, löögid, pinnakiirus, ringid jne minutis |
| RPM | Pööret minutis | Pöörlemiskiirus |
| °C | Celsiuse kraadid | Temperatuur |

⚠ HOIATUS: Turvalisuse ja vastupidavuse tagamiseks peab kõiki parandustöid läbi viima kvalifitseeritud hooldustehnik.

AKUTOITEGA MASINATE ÜLDISED OHUTUSH-OIATUSED

⚠ HOIATUS: LUGEGE LÄBI KÕIK SEADMEGA KAASAS OLEVAD HOIATUSED, JUHISED, JOONISED JA ANDMED. Alltoodud juhiste eiramine võib põhjustada elektrilööki, tulekahju ja/või tõsiseid vigastusi.

SÄILITAGE HOIATUSED JA JUHISED HILISEMAKS KASUTUSEKS.

Hoiatustes olev mõiste „masin“ viitab teie vooluvõrguga juhitavale (juhtmega) masinale või akutoitega (juhtmeta) masinale.

TÖÖPIIRKONNA OHUTUS

- Tööpiirkond peab olema puhas ja hästi valgustatud. Segamini või pimedad alad võivad põhjustada õnnetusi.
- Ärge kasutage masinaid plahvatusohtlikus keskkonnas, kus leidub nt tuleohtlikke vedelikke, gaase või tolmu. Masinad tekitavad sädemeid, mis võivad süüdata tolmu või aurusid.
- Masinaga töötamisel hoidke lapsed ja kõrvalised isikud eemal. Tähelepanu hajumisel võite kaotada kontrolli seadme üle.

ELEKTRILINE OHUTUS

- Masinad tuleb ühendada sobivasse pistikupessa. Ärge kunagi modifitseerige pistikut mitte mingil viisil. Ärge kasutage pistikuadaptereid koos maandatud masinatega. Modifitseerimata pistikud ja sobivad pistikupesad vähendavad elektrilöögi ohtu.
- Vältige kehalist kontakti maandatud pindadega (nt torud, radiaatorid, katted, külmikud). Kui teie keha on maandatud, suureneb elektrilöögi oht.
- Ärge kasutage seadet vihmas ega niisketes tingimustes. See võib suurendada elektrilöögi ohtu.
- Ärge kahjustage juhet. Ärge kasutage juhet laadija kandmiseks või tõmbamiseks ja ärge tõmmake juhtmest, kui soovite pistikut pistikupesast eemaldada. Vältige juhtme kokkupuudet kuumade esemete, õli, teravate servade või liikuvate osadega. Kahjustatud või puntras juhe suurendab elektrilöögi ohtu.
- Elektritööriistaga välitingimustes töötamiseks kasutage välitingimustes sobivat pikendusjuhet. Välitingimustesse sobiva juhtme kasutamine vähendab elektrilöögi ohtu.
- Kui peate kindlasti seadet märjas kohas kasutama, kasutage toiteallikat, millel on rikkevoolukaitselüliti (GFCI). Rikkevoolukaitselüliti kasutamine vähendab elektrilöögi ohtu.

ISIKLIK OHUTUS

- Olge tähelepanelik, töötage hoolikalt ja kasutage tervet mõistust. Ärge kasutage seadet, kui olete väsinud, või rohtude, alkoholi või narkootikumide mõju all. Isegi hetkeline tähelepanematus masina kasutamise ajal võib põhjustada tõsiseid vigastusi.
- Kasutage isikukaitsevahendeid. Kandke alati silmakaitsevahendeid. Töötingimustele vastava kaitsevarustuse (nt tolumumaski, mittelibisevate turvajalanõude, kiivri või kuulmiskaitsevahendite) kasutamine vähendab kehavigastuste ohtu.
- Vältige seadme tahtmatut käivitamist. Enne tööriista vooluvõrgu ja/või akuplokiga ühendamist ning enne tööriista kandmist või üles tõstmist veenduge, et lüliti on mitteaktiivses asendis. Seadmete kandmine sõrme lültil hoides või aktiivses olekus lülitiga põhjustab õnnetusi.
- Enne tööriista sisselülitamist eemaldage sellelt kõik reguleerimis- ja nutrivõtmed. Elektritööriista pöörleva osa külge unustatud võtmed vms tööriistad võivad põhjustada kehavigastusi.
- Ärge küünitage liiga kaugele. Töötage ainult kindlal pinnal ja kohtades, kus pole ohtu tasakaalu kaotada. Nii säilitate ootamatutes olukordades elektritööriista üle parema kontrolli.

ET

- Riietuge asjakohaselt. Ärge kandke ehteid ega avaraid riideid. Vältige oma juuste ja riie kokkupuudet liikuvate osadega. Liiga avarad riided, ehted ja pikad juuksed võivad liikuvate osade vahele kinni jääda.
- Kui tootega on kaasas vahendid tolmuärastus- ja kogumisseadmete ühendamiseks, siis veenduge, et need seadmed on korralikult ühendatud ja asjakohases kasutuses. Tolmukogumisseadmete kasutamine vähendab tolmuiga seotud ohtusid.
- Isegi kui seade on teile sagedase kasutamise tulemusel harjumuspäraseks saanud, ärge laske ennast lödvaks ega ignoreerige tööriista kasutamise ohutusreegleid. Hooletuse tõttu võite saada tõsiselt vigastusi ka sekundi mürdosa jooksul.

MASINA KASUTAMINE JA HOOLDUS

- Ärge avaldage seadmele jõudu. Kasutage konkreetseks tööks sobivat masinat. Sobiva masinaga sobival kiirusel töötades saate töö tehtud kiiresti ja ohutult.
- Ärge kasutage seadet, mida ei saa lülitist sisse ega välja lülitada. Tööriist, mille lülitit ei tööta, on ohtlik ja tuleb parandada.
- Eemaldage pistik vooluvõrgust ja/või akuplokk seadme küljest, kui see on eemaldatav, enne seadme kohandamist, tarvikute vahetamist või elektritööriista hoiustamist. Selliste ohutusmeetmete rakendamisel vähendate elektritööriista tahtmatu käivitamise ohtu.
- Hoidke seisvat seadet lastele kättesaamatus kohas ja ärge lubage seadet kasutada isikudel, kes ei tunne seadet ega neid juhiseid. Seadmed on väljaõppeta isikute käes ohtlikud.
- Hooldage nii elektritööriistu kui tarvikuid. Kontrollige, kas komponendid on korrektselt joondatud ja ega ükski osa paindunud pole ning jälgige ka muid aspekte, mis võiksid masina omadusi mõjutada. Kui see on kahjustatud, laske masin enne kasutamist parandada. Palju õnnetuste põhjuseks on kehvasti hooldatud masinad.
- Hoidke lõiketööriista teravad ja puhtad. Korralikult hooldatud ja teravate servadega lõiketööriista ei kiilu nii kergesti kinni ja on lihtsamini kontrollitavad.
- Kasutage seadet, selle tarvikuid, tööriistaosi jm vastavalt käesolevale juhendile, võttes arvesse töötingimusi ja teostatavat tööd. Masina mittesihipärane kasutamine võib põhjustada ohtlikke olukordi.
- Hoidke käepidemed ja haardepinnad kuivad ja puhtad ning vältige neile õli ja rasva sattumist.

Libedad käepidemed ja haardepinnad takistavad seadme ohutut kasutamist ning ootamatutes olukordades käsitsemist.

AKUSEADME KASUTAMINE JA HOOLDUS

- Kasutage laadimiseks ainult tootja poolt ette nähtud laadureid. Akulaadija, mis sobib teatud tüüpi akuplokkile, võib põhjustada tulekahju ohtu, kui kasutada seda mõne teise akuplokkiga.
- Kasutage seadmeid ainult nende jaoks ette nähtud akudega. Mistahes muu aku kasutamine võib põhjustada vigastuste ja tulekahju ohtu.
- Kui akut ei kasutata, hoidke seda eemal muudest metallesemetest nagu kirjaklambrid, mündid, võtmed, naelad, kruvid ja muud väikesed metallesemed, mis võivad klemmide vahel ühenduse luua. Akuklemmide lühiühendus võib põhjustada põletushaavu ja tulekahju ohtu.
- Valedes tingimustes kasutamisel võib akut vedelikku välja tulla; vältige kokkupuudet sellega. Kokkupuute korral loputage rohke veega. Kui vedelik satub silma, pöörduge lisaks ka arsti poole. Akust erituv vedelik võib põhjustada ärritust või põletusi.
- Ärge kasutage kahjustunud või modifitseeritud akuplokki või tööriista. Kahjustunud või modifitseeritud akud võivad toimida ettearvamatult, mille tagajärjeks võib olla tulekahju, plahvatus või vigastuste oht.
- Vältige aku või tööriista kokkupuudet tule või liiga kõrge temperatuuriga. Kokkupuude lahtise tule või temperatuuriga üle 130 °C võib põhjustada plahvatuset.
- Järgige kõiki laadimisjuhiseid ja ärge laadige akuplokki või tööriista vale temperatuuri juures (vt juhiseid). Valesi või valel temperatuuril laadimine võib kahjustada akut ja suurendada tulekahjuohtu.

TEENINDUS

- Laske oma tööriista hooldada kvalifitseeritud remonditehnikul, kes kasutab ainult identseid originaalvaruosi. See tagab tööriista ohutuse.
- Ärge kunagi hooldage kahjustunud akuplokke. Akuplokkide hooldust võib teostada ainult tootja või volitatud teeninduskeskus.

MURUÕHUTAJA OHUTUSHOIATUSED

- Vältige seadme kasutamist halva ilmaga, eriti äikesehoju korral. Niiviisi vähendate pikselöögi saamise ohtu.
- Kontrollige seadme võimalikku kasutuspiirkonda põhjalikult metsloomade suhtes. Metsloomad võivad seadme töö ajal vigastada saada.

- Enne töö alustamist kontrollige tööala ja eemaldage seal kõik kivid, oksad, traadid, luud ja muud võõrkehad. Eemale paiskuvad esemed võivad tekitada kehavigastusi.
- Enne seadme kasutamist kontrollige alati visuaalselt, et piid ja piide moodul ei oleks kahjustatud. Kulunud või kahjustatud osad suurendavad vigastuste ohtu.
- Jälgige, et kaitsepiirded on korrektselt paigal. Kaitsepiirded peavad olema töökorras ja korralikult paigaldatud. Kaitsepiire, mis on lahti, kahjustatud või ei tööta korralikult, võib põhjustada kehavigastusi.
- Hoidke kõik jahutusavad puhtad. Blokeeritud õhu sisselaskeavad ja praht võivad põhjustada ülekuumenemist või tuleohtu.
- Seadme kasutamisel kandke alati libisemiskindlaid turvajalanõusid. Ärge kasutage tööriista paljajalu ega kandke avatud sandaale. See vähendab võimalust vigastada jalgu kokkupuutel liikuvate piidega.
- Seadme kasutamise ajal kandke alati pikki pükse. Paljastatud nahk suurendab eemalepaiskuvatest esemetest tingitud vigastuste tõenäosust.
- Ärge kasutage masinat märjal murul. Kõndige, ärge jookske. See vähendab libisemise ja kukkumise ohtu, mis võivad tekitada kehavigastusi.
- Ärge kasutage seadet väga järskudel kallakutel. See vähendab kontrolli kaotamise, libisemise ja kukkumise ohtu, mis võivad tekitada kehavigastusi.
- Nõlvadel töötades veenduge alati, et oleksite kindlal pinnal, töötage alati mõõda nõlvade külgi, mitte kunagi üles ega alla, ning olge suuna muutmisel äärmiselt ettevaatlik. See vähendab kontrolli kaotamise, libisemise ja kukkumise ohtu, mis võivad tekitada kehavigastusi.
- Seadmega tagurdades või seda enda poole tõmmates olge väga ettevaatlik. Jälgige alati oma ümbrust. See vähendab komistamise ohtu seadme kasutamisel.
- Hoidke tööriista vaid isoleeritud haardepindadest, kuna piid võivad kokku puutuda varjatud juhtmetega. Kui piid puutuvad kokku voolu all olevate juhtmetega, võib elekter levida masina katmata metallosadele ja kasutaja saada elektrilöögi.
- Ärge puudutage piisid ega teisi ohtlikke liikuvaid osi, kui need veel liiguvad. See vähendab liikuvatest osadest tingitud vigastuste ohtu.
- Kinnikiilunud materjali eemaldamisel või masina puhastamisel veenduge, et kõik toitelülitid on väljalülitatud asendis ning aku on lahti ühendatud. Masina juhuslik käivitamine võib põhjustada tõsiseid vigastusi.

LISAHOIATUSED

- Kasutage ainult koos EGO toitepeaga PH1400E/PH1420E/PHX1600.
MÄRKUS: Vaadake EGO toitepea PH1400E/PH1420E/PHX1600 kasutusjuhendit, et leida üksikasjalikud ohutusreeglid ja kasutusjuhised.

HOIDKE SEE KASUTUSJUHEND ALLES

TEHNILISED ANDMED

| | |
|----------------------------------------------------------------------------------------|------------------------------------------|
| Maksimaalne töölaius | 355 mm |
| Koormuseta kiirus (PH1420E-ga) | Madal: 2600 pööret minutis |
| | Suur: 3000 pööret minutis |
| Sügavuse reguleerimine | 3 asendit |
| Muruõhutamise sügavus | 0 / 10 mm / 20 mm |
| Soovituslik töökeskkonna temperatuur | 0 °C – 40 °C |
| Soovituslik hoiustamise temperatuur | -20 °C – 70 °C |
| Mõõdetud helivõimsuse tase L_{WA} | 88 dB(A) K=2 dB(A) (PH1400E) |
| | 88,49 dB(A) K=0,81 dB(A) (PH1420E) |
| | 90 dB(A) K=0,9 dB(A) (PHX1600) |
| Helirõhk seadme operaatori kõrva juures L_{PA} | 82 dB(A) K=3 dB(A) (PH1400E) |
| | 79,8 dB(A) K=3 dB(A) (PH1420E) |
| | 82 dB(A) K=3 dB(A) (PHX1600) |
| Garantseeritud helivõimsuse tase L_{WA} (mõõdetud vastavalt direktiivile 2000/14/EÜ) | 92 dB(A) |

ET

| | | |
|------------------------------------|--------------------|--------------------------------------------------------------|
| Vibratsiooni a_h mõõtmine | Eesmine abikäepide | 2,35 m/s ² K=1,5 m/s ² (PH1400E) |
| | | 2,36 m/s ² K=1,5 m/s ² (PH1420E) |
| | | 2,63 m/s ² K=1,5 m/s ² (PHX1600) |
| | Rear handle | 2,66 m/s ² K=1,5 m/s ² (PH1400E) |
| | | 2,24 m/s ² K=1,5 m/s ² (PH1420E) |
| | | 1,74 m/s ² K=1,5 m/s ² (PHX1600) |
| Kaal (koos murehitseja silindriga) | | 7,4 kg |

- Ülalmainitud näitajaid on testitud ja mõõdetud, kasutades toitepead PH1400E/PH1420E/PHX1600.
- Esitatud vibratsioonitaseme näit on mõõdetud standardsete testmeetodite kohaselt ja seda võib kasutada erinevate tööriistade võrdlemiseks.
- Esitatud vibratsioonitaseme näitu võib kasutada ka alge kokkupuutehinnangu andmiseks.

⚠ HOIATUS: Tegelikul kasutamisel tekkiv vibratsioonitase võib esitlust erineb; turvalisuse eesmärgil peaks masina kasutaja kandma tegelikes kasutustingimustes kindaid ja kuulmiskaitseid.

⚠ HOIATUS: Vajadus tuvastada ohutusmeetmed kasutaja kaitsmiseks, mis põhinevad kokkupuute hinnangul tegelikes kasutustingimustes (võttes arvesse kõiki töötsükli osi, näiteks aja, mil masin on välja lülitatud ja kui see töötab tühikäigul, lisamine käivitusajale).

ET

KIRJELDUS

MURUÕHUTAJA KIRJELDUS (Joonis A)

1. Otsakork (2)
2. Kinnitusvõll
3. Alumine kate
4. Ratas
5. Ülemise kate komplekt

6. Sügavuse reguleerimise hoob
7. Deflektori kaitsepiire
8. Kaabitsariba
9. 4 mm kuuskantvõti
10. 5 mm kuuskantvõti
11. Reha pii
12. Muruõhutaja silinder

KOKKUPANEK

⚠ HOIATUS: Kui mõni osa on kahjustatud või puudub, ärge kasutage toodet enne, kui see osa on asendatud. Kui kasutate kahjustatud või vajalike komponentideta seadet, võite saada raskeid vigastusi.

⚠ HOIATUS: Ärge üritage seadet ümber ehitada ega kasutada tarvikuid, mis pole mõeldud selle seadmega koos kasutamiseks. Kõik niisugused muudatused loetakse väärkasutuseks ja need võivad põhjustada ohtlikke olukordi, mis võivad lõppeda raskete vigastustega.

KINNITUSVÖLLI ÜHENDAMINE MURUÕHUTAJAGA (Joonis B)

| | | | |
|-----|--------------|-----|--------------|
| B-1 | M5 Bolt | B-4 | Auk |
| B-2 | Polt | B-5 | Kruvi ava |
| B-3 | Kinnitusvõll | B-6 | Alumine kate |

1. Asetage muruõhutaja tagurpidi stabiilsele tasasele pinnale.
2. Eemaldage ühendusvõlli esiootsalt otsakork.
3. Asetage kinnitusvõlli ava ülespoole, sisestage kinnitusvõll alumisse kattesesse nii kaugele, kui see ulatub. Joondage alumise kate kruviava kinnitusvõlli avaga.
4. Kasutades kaasasolevat 4 mm kuuskantvõtit, kinnitage alumine kate kinnitusvõlli külge M5 poldiga.
5. Kasutades kuuskantvõtit, keerake kaks eelnevalt paigaldatud polti tugevasti alumise kate külge.

⚠ HOIATUS: Enne seadme kasutamist veenduge, et kolm polti on korralikult pingutatud; tõsiste vigastuste vältimiseks kontrollige seda regulaarselt ka kasutamise ajal.

MURUÕHUTAJA-LIIDESE ÜHENDAMINE TOITEPEAGA

See muruõhutaja-liides on mõeldud kasutamiseks koos EGO toitepeaga PH1400E/PH1420E/PHX1600.

Lugege toitepea PH1400E/PH1420E/PHX1600 kasutusjuhendist jaotist „**LIIDESE KINNITAMINE TOITEPEA KÜLGE**”.

KASUTAMINE

⚠ HOIATUS: Ärge muutuge toodet tundma õppides hooletuks. Pidage meeles, et raskeid vigastusi põhjustavaks õnnetuseks piisab ka sekundi murdosa pikkusest tähelepanematuses.

⚠ HOIATUS: Kandke alati silmakaitsevahendeid. Vastasel korral võib teile midagi silma paiskuda ja võite saada ka muud laadi raskeid vigastusi.

⚠ HOIATUS: Raskete vigastuste vältimiseks eemaldage alati aku, enne kui asute seadet remontima, puhastama, tarvikuid vahetama või kinni jäänud objekte eemaldama.

⚠ HOIATUS: Ärge kasutage lisaseadmeid või -tarvikuid, mida selle toote valmistaja pole soovitanud. Mittesoovituslike lisaseadmete või -tarvikute kasutamine võib põhjustada raskeid kehavigastusi.

KASUTUSEESMÄRGID

Eemaldage murult vanad lõikejäägid, sammal, rohu- või juurejäägid.

MURUÕHUTAJA KÄIVITAMINE/PEATAMINE

Enne mururõhutaja kasutamist

⚠ HOIATUS: Raskete vigastuste vältimiseks kasutage seadmega töötades alati kaitseprille. Tolmustes tingimustes kandke näomaski või tolmu maski. Kandke töötamise ajal sobivat riietust ja jalanõusid, et vähendada lendava prahi põhjustatud vigastuste ohtu.

- Enne kasutamist kontrollige toodet põhjalikult kahjustuste puudumise suhtes. Ärge kasutage toodet, kui see on kahjustatud või kulunud.
- Veenduge, et muru on kividest, ostep, juhtmetest või muudest esemetest vaba, mis võiksid toodet kahjustada.
- Niitke muru enne toote kasutamist ning seejärel väetage.

Praktilised nõuanded

Selleks, et kevadel kasvaks tervislik muru, on vajalik, et suuremad õhu kogused tungiksid muru juurte ümbrusesse. Soovitame muru õhutamist vähemalt kaks korda aastas, kevadel või sügisel, sõltuvalt teie muru seisundist.

- Ärge kasutage kallakutel, mille kalle on suurem kui 15 kraadi. Liikuge mööda küngaste külgi, mitte üles-alla. Kallakutel suunda muutes olge eriti ettevaatlik.

- Ärge töötage selle tootega niiskel murul, kuna niiske muru kipub korpusele ja piidele kinni jääma ning see võib samuti põhjustada libisemist ja kukkumist.
- Hoidke toodet kahe käega. Hoidke käepidemeid kuivad, et tagada ohutu tugi.
- Lükake toodet aeglaselt ettepoole. Liigutage toodet sobiva kiirusega. Ärge liikuge sellega liiga kiiresti, et vältida piide kinnijäämist ja mootori ülekoormust.
- Lülitage toode kohe välja, kui teised inimesed sisenevad tööalale. Enne toote mahapanekut oodake alati, kuni see on täielikult seiskunud.
- Vältige ületöötamist. Tehke regulaarselt pause, et tagada tööle keskendumine ja täielik kontroll masina üle.
- Töötage kergelt ülekattuvates ridades. Kõige tihusam muster on sirged jooned mööda ühte külge (joonis C). See hoiab read ühtlasena ja tagab, et kogu muru on kobestatud ilma, et mõned kohad jääksid vahele.
- Pöörake erilist tähelepanu suuna muutmisel.
- Jälgige alati oma jalgealust. Libisemine ja kukumine võib põhjustada raskeid vigastusi. Kui tunnete, et kaotate tasakaalu, lülitage mootor kohe välja.
- Ärge niitke järsakute, kraavide ega kaldapealsete lähedal, sest seal võite kaotada tasakaalu või jalgealuse.

Murukobestaja-liidese käivitamine/peatamine

Lugege PH1400E/PH1420E /PHX1600 kasutusjuhendist jaotist „**TOITEPEA KÄIVITAMINE/SEISKAMINE**”.

⚠ HOIATUS: Peatage masin, kui seda tuleb transportimiseks kallutada, kui ületate muud ala kui muru ja kui transportite masinat tööalale ja sealt tagasi.

⚠ HOIATUS: Ärge kallutage toodet mootori sisselülitamisel, välja arvatud juhul, kui toodet peab käivitamiseks kallutama. Sellisel juhul ärge kallutage seadet rohkem kui hädavajalik ja tõstke ainult seadme operaatorist kõige kaugemale jäävat osa.

Kontrollige piide ummistumist

- Ummistumise vältimiseks puhastage masina alumist osa enne ja pärast igit kasutamiskorda, et eemaldada kogunenud praht.
- Ummistuse tekkimisel, peatage masin ja eemaldage aku, seejärel eemaldage piide ümbrusest ja korpuse alt mistahes kogunenud muru ja lehed. Pühkige masinat niiske lapiga.

ET

SÜGAVUSE REGULEERIMINE (Joonis D)

⚠ HOIATUS: Hoidke jalad kõrguse muutmise ajal korpusest eemal.

Kobestamise sügavus saab seadistada 3 sügavuseele:

1 ja 2: tööasend

3: transportimise asend

Kohandage sügavust vastavalt oma muru vajadustele.

1. Lülitage masin välja ja oodake, kuni masin täielikult seiskub.
2. Eemaldage aku.
3. Tõmmake sügavuse reguleerimise hoob fiksaatorist välja ja seadke see soovitud asendisse.

| | | | |
|-----|-----------------------------|-----|----------------|
| D-1 | Sügavuse reguleerimise hoob | D-2 | Sügavuse asend |
|-----|-----------------------------|-----|----------------|

HOOLDUS

⚠ HOIATUS: Enne masina kontrollimist, puhastamist või hooldust tuleb mootor peatada ja oodata kõigi liikuvate osade peatumist ning eemaldada aku. Juhiste mittejärgimine võib kaasa tuua tõsise vigastuse või varalise kahju.

⚠ HOIATUS: Kandke alati küljekaitsega turvaprilile. Vastasel korral võib teile midagi silma paiskuda ja võite saada raskeid vigastusi.

⚠ HOIATUS: Hooldusel ja remontimisel kasutage vaid originaalvaruosi. Mis tahes muude osade kasutamine võib põhjustada ohtlikke olukordi või seadet kahjustada. Ohutuse ja seadme usaldusväärsuse huvides peab kõik parandused (välja arvatud selles hooldusjuhises loetletud juhtudel) tegema kvalifitseeritud hooldustehnik.

⚠ HOIATUS: Pärast kõrvalise esemega kokkupõrkumist peatage masin ja eemaldage aku, et veenduda, et kõik liikuvad osad on täielikult peatunud. Seejärel kontrollige masinat kahjustuste puudumise suhtes ja remontige masin enne selle taaskäivitamist ja kasutamist.

⚠ HOIATUS: Kui masin hakkab ebanormaalselt vibreerima, peatage masin ja eemaldage aku, et veenduda, et kõik liikuvad osad on täielikult peatunud. Seejärel kontrollige masinat kahjustuste puudumise suhtes ja remontige või asendage mistahes kahjustatud osad ning kontrollige üle ja pingutage mistahes lahtiseid osi.

⚠ HOIATUS: Toote reguleerimisel olge ettevaatlik ja vältige sõrmede kinnijäämist toote liikuvate osade ja fikseeritud osade vahele.

PUHASTAMINE

⚠ HOIATUS: Muruõhutaja-liidese puhastamisel ÄRGE sukeldage seda vee ega ühegi muu vedeliku sisse.

Vältige plastosade puhastamisel lahustite kasutamist. Enamik plastmaterjalidest on vastuvõtlikud müügil olevatest lahustitest tulenevatele kahjustustele. Kasutage mustuse, tolmu, õli, määrdet jms eemaldamiseks puhast lappi.

MÄÄRIMINE

Kõik toote laagrid on määratud kvaliteetse määrdeainega, millest piisab seadme kasutuseaks tavapäraste töötingimuste korral. Seega ei ole vaja seadme laagreid rohkem määrada.

SILINDRI ASENDAMINE

⚠ HOIATUS: Enne mistahes hooldustööde teostamist eemaldage masinast alati aku ja oodake, kuni piidega silinder täielikult peatub. Piide käsitsemisel kandke alati kaitsekindaid.

Silindri eemaldamiseks

1. Eemaldage toitepea küljest aku.
2. Asetage masin tagurpidi tasasele ja stabiilsele pinnale.
3. Kasutage kaasasolevat 5 mm kuuskantvõtit, et lahti keerata ja eemaldada kaks lukustuspolti murukobesti silindri laagripesalt (Joonis E1).
4. Suruge muruõhutaja silindrit vasakule, kuni paremal olev hammasvõll tõmmatakse masina hammasvõlli avast välja (Joonis E2).
5. Eemaldage masinast muruõhutaja silinder (Joonis E3).

| | | | |
|------|------------|------|----------------------|
| E1-1 | Laagripesa | E1-2 | Muruõhutaja silinder |
| E2-1 | Hammasvõll | E2-2 | Spindli rumm |

Uue silindri paigaldamiseks

1. Asetage uue silindri laagripesa masina alusele ja lükake silindrit vasakule nii kaugele, kui võimalik (Joonis F1).
2. Joondage ja sisestage hammasvõll silindri paremale küljele masina hammasvõlli rummu sisse (Joonis F2).
3. Joondage laagripesa kaks ava aluse avadega, kinnitage laagripesa alusele lukustuspoltidega (Joonis F3).

REHAPIIDE ASENDAMINE

Tavalisel kasutamisel võivad rehapiid aja jooksul kuluda või murduda. Kui piide reguleerimine ei taga enam piisavat õhutamist või kui piid purunevad, siis järgige piide vahetamisel alljärgnevat etappi.

Pii eemaldamiseks

1. Eemaldage toitepea küljest aku.
2. Asetage masin tagurpidi tasasele ja stabiilsele pinnale.
3. Suruge rehapii kaks tihvti silindri pilusse 1 ja tõmmake rehapii muruõhutaja silindri küljest ära, nagu on näidatud joonisel G.

| | | | |
|-----|-------|-----|--------|
| G-1 | Tihvt | G-2 | Pilu 1 |
|-----|-------|-----|--------|

Rehapii paigaldamiseks (Joonis H)

1. Sisestage rehapii tihvt silindri pilusse 1 (samm 1).
2. Sisestage rehapii pesa silindri pilusse 2 (samm 2).
3. Suunake pii kaks tihvti pilusse 1, lükake ettepoole pilu 3 asendisse ja kaks tihvti langeva automaatselt oma kohale (samm 3 ja 4).

| | | | |
|-----|--------|-----|--------|
| H-1 | Tihvt | H-2 | Pilu 1 |
| H-3 | Pilu 2 | H-4 | Pilu 3 |

TRANSPORTIMINE JA HOIUSTAMINE

- Eemaldage toitepea küljest aku.
- Enne hoiustamist laske seadmel alati maha jahtuda.
- Enne hoiustamist puhastage toode põhjalikult.
- Hoidke toodet kuivas, hästi ventileeritavas, lukustatud kohas ja kõrgel, lastele ligipääsmatus kohas. Ärge hoiustage seadet väetiste, bensiini või muude kemikaalide peal või lähedal.

KESKKONNAKAITSE



Ärge visake elektriseadmeid, kasutatud akut ega laadurit olmeprügi hulka! Viige toode volitatud taaskäitleja juurde ja võimaldage selle komponendid sorteerituna kõrvaldada. Elektritööriistad tuleb viia keskkonnakaitsenõudeid järgivasse jäätmekäitluskeskusesse.



TÖRKEOTSING

| PROBLEEM | PÕHJUS | LAHENDUS |
|-------------------------------------------------------------|--------------------------------------------------------------------------------------------------------------------------------------------------------------------------------------------------|---------------------------------------------------------------------------------------------------------------------------------------------------------------------------------------------------------------------------|
| Mootor ei käivitu. | <ul style="list-style-type: none">■ Aku on tühi.■ Lukustusnupp või päästiklülitit ei kasutatud nõuetekohaselt.■ Aku ei ole akupesassa nõuetekohaselt sisestatud. | <ul style="list-style-type: none">■ Laadige akut.■ Järgige toitepea kasutusjuhendi jaotist „TOITEPEA KÄIVITAMINE/ SEISKAMINE“.■ Kontrollige, kas aku on täielikult akupesasse sisestatud. |
| Masin tekitab ebanormaalseid helisid. | <ul style="list-style-type: none">■ Masina piisid takistab praht või võõrkeha. | <ul style="list-style-type: none">■ Lülitage mootor välja, eemaldage aku ja eemaldage praht või võõrkehad, mis takistavad masina korralikku töötamist. |
| Masin ei tööta korralikult või tulemused ei ole rahuldavad. | <ul style="list-style-type: none">■ Muru on liiga pikk. | <ul style="list-style-type: none">■ Enne õhutamist niitke muru. |
| | <ul style="list-style-type: none">■ Märja muru tükid jäävad korpuse alumise osa külge kinni. | <ul style="list-style-type: none">■ Enne õhutamist oodake, kuni muru kuivab. |
| | <ul style="list-style-type: none">■ Sügavus on vale seadistusega. | <ul style="list-style-type: none">■ Soovitud tulemuse saavutamiseks reguleerige piide sügavust. |
| | <ul style="list-style-type: none">■ Piid on kulunud või kahjustatud. | <ul style="list-style-type: none">■ Asendage piid vastavalt vajadusele. |

GARANTII

EGO GARANTIIPÕHIMÕTTED

Täielikud EGO garantiitingimused leiate veebilehelt egopowerplus.eu.

ET

ПРОЧИТАЙТЕ ВСІ ІНСТРУКЦІЇ!



ПРОЧИТАЙТЕ ПОСІБНИК З ЕКСПЛУАТАЦІЇ

СИМВОЛИ, ЩО СТОСУЮТЬСЯ БЕЗПЕКИ

Мета символів, пов'язаних із безпекою, – привернути вашу увагу до можливих небезпек. Символи безпеки та їхнє пояснення заслуговують на вашу пильну увагу та розуміння. Символи попереджень самі по собі не усувають будь-якої небезпеки. Інструкції та попередження, які вони надають, не замінюють належних заходів щодо запобігання аваріям.

⚠ ПОПЕРЕДЖЕННЯ. Перш ніж користуватися цією машиною, обов'язково ознайомтеся з усіма інструкціями з безпеки, наведеними в цьому посібнику користувача, зокрема з усіма символами попереджень, такими як «**НЕБЕЗПЕКА**», «**ПОПЕРЕДЖЕННЯ**» та «**ЗАСТЕРЕЖЕННЯ**». Недотримання наведених нижче вказівок може спричинити ураження електричним струмом, пожежу та/або серйозні травми.

ЗНАЧЕННЯ СИМВОЛУ

⚠ СИМВОЛ ПОПЕРЕДЖЕННЯ ЩОДО БЕЗПЕКИ:

Вказує на **НЕБЕЗПЕКУ**, **ПОПЕРЕДЖЕННЯ** або **ЗАСТЕРЕЖЕННЯ**. Може використовуватися разом з іншими символами або піктограмами.



⚠ ПОПЕРЕДЖЕННЯ.

Використання будь-яких машин може призвести до потрапляння сторонніх предметів в очі, що може спричинити серйозне пошкодження очей. Перед початком експлуатації машини




завжди надягайте закриті захисні окуляри або відкриті захисні окуляри з бічними щитами та, якщо потрібно, повнопрофільну захисну маску. Ми рекомендуємо захисну маску широкого розміру для використання поверх окулярів або стандартні відкриті захисні окуляри з бічними щитами.

ПРАВИЛА ТЕХНІКИ БЕЗПЕКИ

На цій сторінці зображено та описано символи, пов'язані з безпекою, які можуть відобразитися на цьому виробі. Перш ніж намагатися зібрати та експлуатувати його, ознайомтеся з усіма інструкціями на інструменті та дотримуйтесь їх.

| | | |
|--|---------------------------------------------------------------------------|----------------------------------------------------------------------------------------------------------------------------------------------|
| | Попередження щодо безпеки | Вказує на потенційну небезпеку травмування. |
| | Ознайомтеся з посібником користувача | Щоб зменшити ризик травми, користувач повинен ознайомитися з інструкцією користувача перед використанням цього виробу. |
| | Надягайте засоби захисту очей | Працюючи з цим виробом, завжди носіть закриті захисні окуляри чи відкриті захисні окуляри з бічними щитами або повнопрофільну захисну маску. |
| | ПОПЕРЕДЖЕННЯ. Стерезіться відкинутих предметів – не підпускайте сторонніх | Попереджає користувачів, щоб вони стерезлися відкинутих предметів – не підпускайте сторонніх. |
| | НЕБЕЗПЕКА – Тримайте руки та ноги подалі | Попереджає користувачів, щоб вони тримали руки та ноги подалі. |
| | ПОПЕРЕДЖЕННЯ – Тримайте руки та ноги подалі від зубців | Попереджає користувачів, щоб вони тримали руки та ноги подалі від зубців. |
| | CE | Цей виріб відповідає чинним директивам ЄС. |
| | UKCA | Цей виріб відповідає чинному законодавству Великобританії. |

UK

| | | |
|-----------------------------------------------------------------------------------|----------------------------------------------------|----------------------------------------------------------------------------------------------------------------------------------------|
|  | WEEE | Відходи електричних виробів не слід викидати разом із побутовим сміттям. Зверніться до авторизованого пункту переробки. |
|  | Шум | Гарантований рівень звукової потужності. Розповсюдження шуму в навколишнє середовище згідно з директивою Європейського співтовариства. |
| V | Вольт | Напруга |
|  | Постійний струм (DC) | Тип або характеристика струму |
| мм | Міліметр | Довжина або розмір |
| кг | Кілограми | Вага |
| хв | Хвилини | Час |
| n_0 | Швидкість холостого ходу | Обертova швидкість без навантаження |
| $X_{B^{-1}}$ | Обертів або зворотно-поступальних рухів за хвилину | Оберти, удари, поверхнева швидкість, круги тощо за хвилину |
| ОБ./ХВ | Обертів на хвилину | Швидкість обертання |
| °C | Градуси Цельсія | Температура |

UK

⚠ ПОПЕРЕДЖЕННЯ. Для гарантування безпеки та надійності всі ремонтні роботи повинен проводити кваліфікований технічний спеціаліст.

ЗАГАЛЬНІ ЗАСТЕРЕЖЕННЯ З ТЕХНІКИ БЕЗПЕКИ ДЛЯ АКУМУЛЯТОРНИХ ІНСТРУМЕНТІВ

224

НАСАДКА – ВИЧІСУВАЧ СУХОЇ ТРАВИ — DA1400

⚠ ПОПЕРЕДЖЕННЯ. ПРОЧИТАЙТЕ ВСІ ПОПЕРЕДЖЕННЯ З БЕЗПЕКИ, ІНСТРУКЦІЇ, ІЛЮСТРАЦІЇ ТА ХАРАКТЕРИСТИКИ, НАДАНІ З ЦИМ ІНСТРУМЕНТОМ. Недотримання наведених нижче інструкцій може спричинити ураження електричним струмом, пожежу та/або серйозні травми.

ЗБЕРІГАЙТЕ ВСІ ПОПЕРЕДЖЕННЯ ТА ІНСТРУКЦІЇ ДЛЯ ВИКОРИСТАННЯ В МАЙБУТЬОМУ.

Термін «електроінструмент» у попередженнях стосується електричного інструмента, що працює від електромережі (через шнур) або від акумулятора (без шнура).

БЕЗПЕКА В РОБОЧІЙ ЗОНІ

- **Робоче місце має бути чистим і гарно освітленим.** Неприбрана або погано освітлена робоча зона може стати причиною нещасного випадку.
- **Не працюйте з інструментом у вибухонебезпечному середовищі, наприклад за наявності легкозаймистих рідин, бензину або пилу.** Під час роботи інструмента утворюються іскри, від яких можуть зайнятися пил або випари.
- **Дітям і спостерігачам заборонено перебувати поруч з електроінструментом, що працює.** Це може відволікати вас і призвести до втрати контролю.

ЕЛЕКТРОБЕЗПЕКА

- **Штепсельні вилки електроінструмента мають підходити до розеток.** Заборонено модифікувати вилку будь-яким чином. **Не використовуйте жодні перехідники для роботи із заземленими електроінструментами.** Використання штепселів і розеток, у які не вносилися зміни, зменшує ризик ураження електричним струмом.
- **Уникайте контакту частин тіла із заземленими поверхнями, такими як труби, батареї, плити й холодильники.** У разі заземлення тіла збільшується ризик ураження електричним струмом.
- **Не експлуатуйте інструмент під час дощу або у вологих умовах.** Це може збільшити ризик ураження електричним струмом.
- **Поводьтесь обережно зі шнуром живлення. Ніколи не використовуйте шнур живлення для перенесення, перетягування або вимкнення інструмента.** Бережіть шнур живлення від джерел тепла, мастил, гострих країв та рухомих частин. Пошкоджені або заплутані шнури живлення підвищують ризик ураження електричним струмом.

- Під час роботи з електроінструментом надворі використовуйте подовжувач, призначений для зовнішніх робіт. Використання подовжувача, призначеного для зовнішніх робіт, зменшує ризик ураження електричним струмом.
- Якщо роботи з інструментом у вологому середовищі не уникнути, скористайтеся вимикачем короткого замикання на землю (ВКЗЗ). Використання ВКЗЗ зменшує ризик ураження електричним струмом.

ИНДИВІДУАЛЬНА ТЕХНІКА БЕЗПЕКИ

- Під час роботи з інструментом будьте уважні, стежте за своїми діями та мисліть розсудливо. Не працюйте з електроінструментом, якщо ви втомлені або перебуваєте під дією наркотичних речовин, алкоголю чи ліків. Навіть миттєва неувважність під час роботи з інструментом може призвести до серйозної травми.
- Використовуйте засоби особистого захисту. Завжди надягайте засоби захисту очей. Використання у відповідних умовах таких захисних засобів, як протипиловий респіратор, неслизьке захисне взуття, шолом-каска і навушники допоможе зменшити ризик травмування.
- Уникайте випадкового запуску інструмента. Перш ніж підключати електроінструмент до мережі живлення чи акумулятора, брати або переносити його, перевірте, чи встановлено перемикач у положення «вимкнено». Якщо переносити електроінструмент, тримаючи палець на вимикачі, або підключати його до джерела живлення, коли вимикач перебуває в положенні «увімкнено», це може призвести до травмування.
- Перш ніж вмикати інструмент, слід зняти всі регульовальні клинці або гайкові ключі. Якщо залишити такий ключ на рухомій частині інструмента, це може призвести до травмування.
- Не перенапружуйтеся. Завжди міцно стійте на ногах і втримуйте рівновагу. Це дає змогу краще керувати інструментом у разі виникнення непередбачуваних ситуацій.
- Одягайтеся належним чином. Не носіть вільного одягу або прикрас. Стежте за тим, щоб волосся та одяг не потрапили на рухомі частини. Вільний одяг, прикраси або довге волосся можуть потрапити в рухомі частини.
- Якщо пристрій обладнано системою видалення пилу, переконайтеся, що її правильно підключено, та що ви використовуєте її належним чином. Використання пристрою для

збирання пилу може зменшити небезпеку, пов'язану з пилом.

- Не дозволяйте навичкам, отриманим після частого використання інструментів, змусити вас стати самовпевненими та ігнорувати принципи безпеки інструмента. Недбала дія може спричинити серйозну травму протягом доли секунди.

ВИКОРИСТАННЯ ТА ДОГЛЯД ЗА ІНСТРУМЕНТОМ

- Не застосовуйте силу до інструмента. Використовуйте належний електроінструмент відповідно до потреби. Правильно підібраний електроінструмент допоможе краще та безпечніше зробити роботу зі швидкістю, яка для нього передбачена.
- Не використовуйте інструмент, якщо вимикач не вмикає або не вимикає його. Усі електроінструменти, якими неможливо керувати за допомогою перемикача, становлять небезпеку й підлягають ремонту.
- Перш ніж проводити будь-які регулювання, замінювати приладдя або перед зберіганням слід вийняти штепсель з джерела живлення та/або вийняти з інструмента акумулятор, якщо він знімний. Такі запобіжні заходи безпеки зменшують ризик випадкового вмикання інструмента.
- Зберігайте інструменти, що не використовуються у недоступному для дітей місці та не дозволяйте особам, які не знайомі з інструментом або цими інструкціями, керувати ним. Електроінструменти становлять небезпеку в руках недосвідчених користувачів.
- Обслуговуйте інструменти та приладдя. Перевіряйте їх на предмет розладнання чи блокування рухомих частин, а також будь-яких обставин, які можуть вплинути на роботу інструмента. У разі пошкодження електроінструмент слід здати в ремонт, перш ніж користуватися ним. Часто нещасні випадки трапляються внаслідок неналежного технічного обслуговування інструментів.
- Тримайте різальні інструменти гострими й чистими. Належним чином доглянуті різальні інструменти з гострими ріжучими краями рідше блокуються, та ними легше керувати.
- Користуйтеся електроінструментом, приладдям і насадками для інструмента згідно з цією інструкцією, зважаючи на робочі умови та роботу, яку слід виконати. Використання електроінструмента не за призначенням може стати причиною виникнення небезпечних ситуацій.

- Підтримуйте ручки та захватні поверхні сухими, чистими, без жиру та бруду. Слизькі ручки та захватні поверхні не дають змоги безпечно тримати та керувати інструментом у непередбачених ситуаціях.

ВИКОРИСТАННЯ ТА ДОГЛЯД ЗА АКУМУЛЯТОРНИМ ІНСТРУМЕНТОМ

- Заряджайте лише за допомогою зарядного пристрою, вказаного виробником. Зарядний пристрій, який підходить для акумуляторів одного виду, може спричинити ризик пожежі у випадку його використання з іншим акумулятором.
- З інструментом слід використовувати лише призначені для нього акумуляторні батареї. Використання будь-яких інших акумуляторних батарей може призвести до травми або пожежі.
- Коли акумулятор не використовується, його слід тримати окремо від металевих предметів – затискачів паперу, монет, ключів, цвяхів, шурупів та інших дрібних предметів, які можуть замкнути клеми. Коротке замикання клем акумулятора може стати причиною опіків чи пожежі.
- У надто важких умовах експлуатації з акумулятора може витікати рідина; не доторкайтесь до неї. Якщо випадково ви все ж торкнулися її, слід промити це місце водою. Якщо рідина потрапила в очі, слід також звернутися до лікаря. Рідина, яка виступає з акумулятора, може спричинити подразнення або опіки.
- Не використовуйте акумуляторну батарею або інструмент, які пошкоджено або змінено. Пошкоджені або змінені батареї можуть мати непередбачувану поведінку, що може спричинити пожежу, вибух або ризик травмування.
- Не піддавайте акумуляторну батарею або інструмент дії вогню або високих температур. Вогонь або температура вище 130°C може спричинити вибух.
- Дотримуйтесь усіх інструкцій щодо зарядження та не заряджайте акумуляторну батарею або інструмент за межами температурного діапазону, зазначеного в інструкціях. Зарядження неналежним чином або при температурах за межами вказаного діапазону може пошкодити акумулятор і збільшити ризик виникнення пожежі.

UK

СЕРВІС

- Обслуговування інструмента повинен виконувати кваліфікований ремонтник з використанням лише ідентичних запасних

частин. Це забезпечить надійну роботу інструмента.

- Ніколи не ремонтуйте пошкоджені акумулятори. Сервісне обслуговування акумуляторних батарей має виконувати лише виробник або авторизовані постачальники послуг.

ПОПЕРЕДЖЕННЯ ЩОДО БЕЗПЕКИ ВИКОРИСТАННЯ ВИЧІСУВАЧА СУХОЇ ТРАВИ

- Не використовуйте інструмент у поганих погодних умовах, особливо якщо існує ризик блискавки. Це знижує ризик ураження блискавкою.
- Ретельно огляньте на наявність диких тварин територію, де використовуватиметься інструмент. Дикі тварини можуть бути поранені інструментом під час роботи.
- Ретельно огляньте ділянку, де буде використовуватись інструмент, і приберіть усе каміння, гілки, проводи, кістки та інші сторонні предмети. Відкинуті предмети можуть стати причиною травмування.
- Перед використанням інструмента завжди візуально перевіряйте, чи зубці та їх вузол не зношено й не пошкоджено. Зношені або пошкоджені деталі підвищують ризик травмування.
- Захисні щитки мають бути встановлені на місці. Захисні щитки мають бути в робочому стані та правильно встановлені. Незакріплені, пошкоджені або неправильно функціонуючі захисний щиток може призвести до травмування.
- Оберігайте всі охолоджувальні повітрязбірники від засмічення. Заблоковані повітрязбірники та сміття можуть призвести до перегріву або ризику пожежі.
- Під час роботи з інструментом завжди носіть нековзане та захисне взуття. Не користуйтеся інструментом босоніж або у відкритих сандалях. Це знижує ймовірність травмування ніг у результаті контакту із зубцями, що рухаються.
- Під час експлуатації інструмента завжди носіть довгі штани. Відкриті ділянки шкіри підвищують ймовірність травмування від предметів, що відкидаються.
- Не використовуйте машину на мокрій траві. Ходіть, не біжіть. Це знижує ризик ковзання та падіння, що може призвести до травми.
- Не використовуйте інструмент на надто крутих схилах. Це знижує ризик втрати контролю, ковзання та падіння, що може призвести до травми.
- Під час роботи на схилах завжди стежте за своєю поставою, завжди працюйте поперек

схилу, а не вгору чи вниз і будьте надзвичайно обережні, змінюючи напрямок. Це знижує ризик втрати контролю, ковзання та падіння, що може призвести до травми.

- Будьте особливо обережні, рухаючись у зворотному напрямку або тягнучи пристрій до себе. Завжди будьте в курсі того, що відбувається навколо. Це знижує ризик спотикання під час роботи.
- Тримайте інструмент лише за ручки з ізольованим покриттям, оскільки зубці можуть контактувати з прихованою проводкою. Контакт зубців із дротом під напругою призводить до появи напруги в металевих частинах інструмента, що може призвести до ураження користувача електричним струмом.
- Не торкайтеся зубців та інших небезпечних рухомих частин, коли вони ще рухаються. Це знижує ризик травмування від рухомих частин.
- Під час розчищення застряглого матеріалу або очищення машини переконайтеся, що всі вимикачі живлення вимкнені, а акумуляторна батарея від'єднана. Неочікуване ввімкнення машини може призвести до серйозної травми.

ДОДАТКОВІ ПОПЕРЕДЖЕННЯ

- Використовуйте лише з приводною головкою EGO PH1400E/PH1420E/PHX1600.
ПРИМІТКА. Див. інструкцію з експлуатації вашої приводної головки EGO PH1400E/PH1420E/PHX1600, щоб отримати докладні правила безпеки та інструкції з експлуатації.

ЗБЕРЕЖІТЬ ЦЮ ІНСТРУКЦІЮ

ТЕХНІЧНІ ХАРАКТЕРИСТИКИ

| | |
|-----------------------------------------------|---------------------|
| Максимальна робоча ширина | 355 мм |
| Швидкість без навантаження (з PH1420E) | Низька: 2600 ОБ./ХВ |
| | Висока: 3000 ОБ./ХВ |
| Регулювання глибини | 3 позиції |
| Глибина вичісування | 0 / 10 мм / 20 мм |
| Діапазон рекомендованих робочих температур | 0°C – 40°C |
| Діапазон рекомендованих температур зберігання | -20°C – 70°C |

| | | |
|---------------------------------------------------------------------------------------|-------------------------|--------------------------------------------------------------|
| Вимірний рівень звукової потужності L_{WA} | | 88 дБ(A) K=2 дБ(A) (PH1400E) |
| | | 88,49 дБ(A) K=0,81 дБ(A) (PH1420E) |
| | | 90 дБ(A) K=0,9 дБ(A) (PHX1600) |
| Рівень звукового тиску на місці вуха оператора L_{PA} | | 82 дБ(A) K=3 дБ(A) (PH1400E) |
| | | 79,8 дБ(A) K=3 дБ(A) (PH1420E) |
| | | 82 дБ(A) K=3 дБ(A) (PHX1600) |
| Гарантований рівень звукової потужності L_{WA} (відповідно до стандарту 2000/14/EC) | | 92 дБ(A) |
| Оцінка вібрації a_h | Передня допоміжна ручка | 2,35 м/с ² K=1,5 м/с ² (PH1400E) |
| | | 2,36 м/с ² K=1,5 м/с ² (PH1420E) |
| | | 2,63 м/с ² K=1,5 м/с ² (PHX1600) |
| | Rear handle | 2,66 м/с ² K=1,5 м/с ² (PH1400E) |
| | | 2,24 м/с ² K=1,5 м/с ² (PH1420E) |
| | | 1,74 м/с ² K=1,5 м/с ² (PHX1600) |
| Вага (з циліндром вичісувача сухої трави) | | 7,4 кг |

- Зазначені вище параметри випробувано та виміряно з приводною головкою PH1400E/PH1420E/PHX1600.
- Вказане загальне значення вібрації виміряно за стандартним методом тестування і може використовуватися для порівняння одного інструмента з іншим.

UK

- Заявлене сумарне значення вібрації може також використовуватись для попередньої оцінки впливу.

⚠ ПОПЕРЕДЖЕННЯ. Емісія вібрації під час фактичного використання машини може відрізнятися від заявленої величини, у якій використовується машина. Щоб захистити оператора, користувач повинен одягати рукавички та захисні навушники в реальних умовах використання.

⚠ ПОПЕРЕДЖЕННЯ. Необхідність визначення заходів безпеки для захисту оператора, що ґрунтуються на оцінці впливу в реальних умовах використання (з урахуванням усіх частин робочого циклу, таких як час, коли машину вимкнено та коли вона працює на холостому ходу на додаток до часу роботи).

ОПИС

ОЗНАЙОМЛЕННЯ З НАСАДКОЮ – ВИЧІСУВАЧЕМ СУХОЇ ТРАВИ (рис. А)

1. Торцевий ковпачок (2)
2. Вал насадки
3. Нижня кришка
4. Колесо
5. Верхня кришка в зборі
6. Важіль регулювання глибини
7. Захисний дефлектор
8. Шкребок
9. Шестигранний ключ на 4 мм
10. Шестигранний ключ на 5 мм
11. Граблини
12. Циліндр вичісувача сухої трави

ЗБИРАННЯ

⚠ ПОПЕРЕДЖЕННЯ. Якщо якісь частини пошкоджені або відсутні, не користуйтеся цим інструментом, доки вони не будуть замінені. Використання цього виробу з пошкодженими або відсутніми деталями може призвести до серйозних травм.

⚠ ПОПЕРЕДЖЕННЯ. Не намагайтеся вдосконалити цей інструмент або застосувати приладдя, не рекомендоване для нього. Кожна така заміна чи переробка є фактом неправильного користування, створює небезпечні умови й загрожує серйозними травмами.

ПІДКЛЮЧЕННЯ ВАЛА НАСАДКИ ДО ВИЧІСУВАЧА ДЛЯ СУХОЇ ТРАВИ В ЗБОРІ (рис. В)

| | | | |
|-----|-------------|-----|------------------|
| В-1 | Болт М5 | В-4 | Отвір |
| В-2 | Болт | В-5 | Отвір для гвинта |
| В-3 | Вал насадки | В-6 | Нижня кришка |

1. Покладіть вичісувач для трави догори дном на стійку плоску поверхню.
2. Зніміть заглушку з переднього кінця вала для насадки.
3. Вставте вал насадки отвором догори в нижню кришку насадки до упору, щоб він увійшов в отвір на валу насадки. Вирівняйте отвір для гвинта в нижній кришці з отвором на валу для насадки.
4. Використовуючи наданий шестигранний ключ на 4 мм, закріпіть нижню кришку на валу для насадки за допомогою болта М5.
5. Використовуючи шестигранний ключ, надійно затягніть два попередньо встановлені болти нижньої кришки.

⚠ ПОПЕРЕДЖЕННЯ. Упевніться, що три болти повністю затягнуті, перед використанням обладнання. Періодично перевіряйте її на міцність під час використання, щоб уникнути серйозних травм.

ПІД'ЄДНАННЯ НАСАДКИ – ВИЧІСУВАЧА СУХОЇ ТРАВИ ДО ПРИВОДНОЇ ГОЛОВКИ

Ця насадка – вичісувач для трави призначена для використання з приводною головкою EGO PH1400E/PH1420E/PHX1600.

Див. розділ «УСТАНОВЛЕННЯ НАСАДКИ НА ПРИВОДНУ ГОЛОВКУ» в посібнику користувача приводної головки PH1400E/PH1420E/PHX1600.

ЕКСПЛУАТАЦІЯ

⚠ ПОПЕРЕДЖЕННЯ. Знання виробу не має робити вас небалним. Пам'ятайте, що півсекунди неухважності досить для серйозної травми.

⚠ ПОПЕРЕДЖЕННЯ. Завжди надягайте засоби захисту очей. Без окулярів ви ризикуєте травмами очей від викинутих предметів та іншими серйозними травмами.

⚠ ПОПЕРЕДЖЕННЯ. Щоб запобігти серйозним травмам, вийміть акумуляторну батарею з виробу перед обслуговуванням, очищенням, заміною насадок або видаленням матеріалу з виробу.

⚠ ПОПЕРЕДЖЕННЯ. Не використовуйте приладдя чи насадки, не рекомендовані виробником цього пристрою. Використання нерекomenдованого приладдя чи насадок може призвести до серйозних травм.

ЗАСТОСУВАННЯ

Видаляйте з газонів старі, засохлі зрізи, мох, траву або залишки коренів.

ЗАПУСК/ЗУПИНКА ВИЧІСУВАЧА СУХОЇ ТРАВИ

Перед використанням вичісувача сухої трави

⚠ ПОПЕРЕДЖЕННЯ. Щоб уникнути серйозних травм, завжди використовуйте закриті або відкриті захисні окуляри під час роботи з цим виробом. Одягайте маску для обличчя або пилову маску в місцях, де є пил. Надягайте відповідний одяг і взуття під час роботи, щоб зменшити ризик отримання травм, які можуть бути спричинені сміттям, що розлітається.

- Перед використанням ретельно огляньте виріб на наявність пошкоджень. Не використовуйте виріб, якщо він пошкоджений або має ознаки зносу.
- Переконайтеся, що на газоні немає каміння, палиць, дротів чи інших предметів, які можуть пошкодити виріб.
- Скошуйте газон перед роботою та вносьте добрива після неї.

Поради з експлуатації

Для того щоб навесні розвивався здоровий газон, необхідно, щоб у зону навколо коренів трави проникала більша кількість повітря. Ми рекомендуємо очищати газон принаймні двічі на рік, навесні чи восени залежно від стану вашого газону.

- Заради вашої безпеки не користуйтеся машиною на схилах, що перевищують 15 градусів. Працюйте поперек схилу, а не вгору та вниз. Будьте надзвичайно обережні, змінюючи напрямок на схилі.
- Не працюйте з цим виробом на мокрому газоні, тому що мокра трава може прилипати до деки та зубців, це також може призвести до того, що ви послизнетесь і впадете.
- Тримайте виріб двома руками. Тримайте ручки в сухості, щоб забезпечити надійну підтримку.
- Повільно штовхайте виріб вперед. Переміщайте виріб із відповідною швидкістю. Не рухайте його надто швидко, щоб запобігти застряганню зубців і перевантаженню мотора.
- негайно вимкніть виріб, якщо інші люди заходять у робочу зону. Завжди давайте виробу повністю зупинитися, перш ніж покласти його на місце.

- Не перевтомлюйтеся. Робіть регулярні перерви, щоб зосередитися на роботі та повністю контролювати машину.

- Працюйте рядами, щоб злегка перекриваються. Найефективніший малюнок – прямі лінії вздовж однієї зі сторін (рис. С). Це зробить ряди рівними й гарантуватиме, що весь газон буде оброблений без пропущених ділянок.

- Звертайте особливу увагу під час зміни напрямку.

- Завжди зберігайте стійке положення ніг. Ковзання та падіння можуть спричинити серйозні травми. Якщо ви відчуваєте, що втрачаєте рівновагу, негайно вимкніть мотор.

- Не працюйте біля обривів, канав або насипів; ви можете втратити стійкість або рівновагу.

Запуск/зупинка насадки – вичісувача сухої трави

Див. розділ «ЗАПУСК/ЗУПИНКА ПРИВODНОЇ ГОЛОВКИ» в посібнику оператора для RH1400E/RH1420E/RHX1600.

⚠ ПОПЕРЕДЖЕННЯ. Зупиніть машину, якщо її потрібно нахилити для транспортування, перетинаючи інші поверхні, крім трави, а також транспортуючи машину на ділянку для використання та з цієї ділянки.

⚠ ПОПЕРЕДЖЕННЯ. Не нахилийте машину під час увімкнення мотора, за винятком випадків, коли машину необхідно нахилити для запуску. У цьому випадку не можна нахилити більше, ніж це абсолютно необхідно, і підняти тільки віддалену від оператора частину.

Перевірка блокування зубців

- Щоб запобігти засміченню, очищайте нижню частину машини до і після кожного використання, щоб видалити накопичене сміття.
- У разі засмічення зупиніть машину та вийміть акумулятор, а потім видаліть траву й листя, що накопичилися на зубцях і деці або навколо них. Протирайте машину вологою тканиною.

РЕГУЛЮВАННЯ ГЛИБИНИ (рис. D)

⚠ ПОПЕРЕДЖЕННЯ. Під час регулювання глибини тримайте ноги подалі від деки.

Глибина вичісування може бути встановлена на 3 положення глибини:

1 і 2: робоче положення

3: транспортне положення

Відрегулюйте глибину відповідно до потреб вашого газону.

1. Вимкніть машину та дочекайтеся її повної зупинки.
2. Вийміть акумуляторну батарею.
3. Витягніть важіль регулювання глибини з фіксатора та встановіть його в потрібне положення.

| | | | |
|-----|----------------------------|-----|-------------------|
| D-1 | Важіль регулювання глибини | D-2 | Положення глибини |
|-----|----------------------------|-----|-------------------|

ОБСЛУГОВУВАННЯ

⚠ ПОПЕРЕДЖЕННЯ. Перед оглядом, чищенням або обслуговуванням машини зупиніть двигун, почекайте доки всі рухомі частини зупиняться, і вийміть акумуляторну батарею. Недотримання цих інструкцій може призвести до серйозних персональних травм або пошкодження майна.

⚠ ПОПЕРЕДЖЕННЯ. Завжди носіть засоби захисту органів зору із закисними щитками. Недотримання цього правила може призвести до потрапання предметів в очі та стати причиною серйозних травм.

⚠ ПОПЕРЕДЖЕННЯ. Використовуйте для технічного обслуговування лише ідентичні запчастини. Використання будь-яких інших частин створює небезпеку або може призвести до поломки виробу. Для гарантування безпеки та надійності всі роботи з ремонту, крім описаних в інструкція з обслуговування, повинен проводити кваліфікований технічний спеціаліст.

⚠ ПОПЕРЕДЖЕННЯ. Після удару об сторонній предмет зупиніть машину і вийміть акумуляторну батарею, щоб переконатися, що всі рухомі частини повністю зупинилися. Потім огляньте машину на наявність пошкоджень і виконайте ремонт перед повторним запуском і експлуатацією машини.

⚠ ПОПЕРЕДЖЕННЯ. Якщо машина починає ненормально вібрувати, зупиніть машину та вийміть акумуляторну батарею, щоб переконатися, що всі рухомі частини повністю зупинилися. Потім негайно перевірте на наявність пошкоджень, замініть або відремонтуйте пошкоджені деталі, а також перевірте й затягніть усі ослаблені деталі.

⚠ ПОПЕРЕДЖЕННЯ. Будьте обережні під час настроювання виробу, щоб запобігти попаданню пальців між рухомих і нерухомих частинами виробу.

ЧИЩЕННЯ

⚠ ПОПЕРЕДЖЕННЯ. Очищаючи насадку – вичісувач сухої трави, НЕ занурюйте її у воду чи інші рідини.

Не використовуйте розчинники для очищення пластмасових деталей. Більшість пластмас чутливі до різноманітних промислових розчинників і можуть бути ними пошкоджені. Для видалення бруду, пилу, мастила тощо користуйтеся чистою ганчіркою.

ЗМАЩЕННЯ

Усі підшипники в цьому виробі змащуються достатньою кількістю високоякісного мастила на весь термін служби пристрою в нормальних умовах експлуатації. Отже, додаткове змащування підшипників не потрібне.

ЗАМІНА ЦИЛІНДРА

⚠ ПОПЕРЕДЖЕННЯ. Перед виконанням технічного обслуговування завжди виймайте акумуляторну батарею з машини та чекайте, доки циліндр із зубцями повністю зупиниться. Одягайте захисні рукавички під час роботи із зубцями.

Зняття циліндра

1. Вийміть акумуляторну батарею з приводної головки.
2. Покладіть насадку догори дном на рівну стійку поверхню.
3. За допомогою шестигранного ключа на 5 мм, що входить до комплекту, ослабте та зніміть два стопорні болти на гнізді підшипника циліндра вичісувача сухої трави (рис. E1).
4. Натисніть на циліндр вичісувача сухої трави вліво, доки шліцевий вал на правому кінці не вийде зі шліцевої втулки машини (рис. E2).
5. Зніміть циліндр вичісувача сухої трави з машини (Рис. E3).

| | | | |
|------|-------------------|------|--------------------------------|
| E1-1 | Гніздо підшипника | E1-2 | Циліндр вичісувача сухої трави |
| E2-1 | Вал шпінделя | E2-2 | Маточина шпінделя |

Установлення нового циліндра

1. Помістіть гніздо підшипника нового циліндра на основу машини і просуньте циліндр вліво до упору (рис. F1).
2. Вирівняйте та вставте шліцевий вал із правого боку циліндра в шліцеву втулку машини (рис. F2).
3. Вирівняйте два отвори на гнізді підшипника з отворами на основі, закріпіть гніздо підшипника на основі за допомогою стопорних болтів (рис. F3).

ЗАМІНА ГРАБЛИН

За нормального використання граблини з часом можуть зношуватися або ламатися. Якщо регулювання глибини зубців більше не дає потрібного результату, або якщо зубці зламалися, виконайте наведені нижче дії для заміни зубців.

Зняття граблин

1. Вийміть акумуляторну батарею з приводної головки.
2. Покладіть насадку догори дном на рівну стійку поверхню.
3. Простовхніть два штифти граблин у паз 1 на циліндрі та витягніть граблини з циліндра вичісувача сухої трави, як показано на рис. G.

| | | | |
|-----|-------|-----|---------|
| G-1 | Штифт | G-2 | Отвір 1 |
|-----|-------|-----|---------|

Установлення граблин (рис. H)

1. Вставте штифт граблин в отвір 1 на циліндрі (крок 1).
2. Вставте гніздо граблин в отвір 2 на циліндрі (крок 2).
3. Вставте два штири зубців в отвір 1, посуньте вперед до положення в отворі 3, і обидва штифти автоматично відскочать на місце (кроки 3 і 4).

| | | | |
|-----|---------|-----|---------|
| H-1 | Штифт | H-2 | Отвір 1 |
| H-3 | Отвір 2 | H-4 | Отвір 3 |

ТРАНСПОРТУВАННЯ ТА ЗБЕРІГАННЯ

- Вийміть акумуляторну батарею з приводної головки.
- Перед зберіганням завжди дайте виробу охолонути.
- Ретельно очистьте виріб перед зберіганням.
- Зберігайте виріб у сухому, добре вентиляваному, закритому або високо розташованому недоступному для дітей місці. Не зберігайте виріб поруч із добривами, бензином чи іншими хімікатами.

ЗАХИСТ ДОВКІЛЛЯ



Не викидайте електричне обладнання, акумулятор і зарядний пристрій у побутові відходи! Віднесіть цей виріб авторизованому переробнику й надайте його для роздільного збирання.

Електроінструменти необхідно повернути в підприємство, що займається екологічно безпечною переробкою.



УСУНЕННЯ НЕСПРАВНОСТЕЙ

| НЕСПРАВНІСТЬ | ПРИЧИНА | ВИРІШЕННЯ |
|---------------------------------------------------------------|---------------------------------------------------------------------------------------------------------------------------------------------------------------------------------------------------------------------------------------------|------------------------------------------------------------------------------------------------------------------------------------------------------------------------------------------------------------------------------------------------------------------------|
| Мотор не запускається | <ul style="list-style-type: none">■ Акумуляторна батарея розряджена.■ Кнопка блокування або тригерний вимикач використовується неправильно.■ Акумуляторна батарея не повністю вставлена в порт акумулятора. | <ul style="list-style-type: none">■ Зарядіть акумуляторну батарею.■ Дотримуйтесь вказівок розділу «ЗАПУСК/ЗУПИНКА ПРИВІДНОЇ ГОЛОВКИ» в інструкції до неї.■ Перевірте, чи акумуляторна батарея повністю вставлена в гніздо акумулятора. |
| Машина видає ненормальні звуки. | <ul style="list-style-type: none">■ Сміття або сторонні предмети, що заважають зубцям машини. | <ul style="list-style-type: none">■ Зупиніть мотор, вийміть акумуляторну батарею та видаліть сміття або сторонні предмети, які перешкоджають правильній роботі машини. |
| Машина не працює належним чином, або результати незадовільні. | <ul style="list-style-type: none">■ Трава занадто висока. | <ul style="list-style-type: none">■ Скосіть газон перед вичісуванням сухої трави. |
| | <ul style="list-style-type: none">■ Мокре сміття прилипає до нижньої сторони деки. | <ul style="list-style-type: none">■ Зачекайте, доки газон не висохне, перед вичісуванням. |
| | <ul style="list-style-type: none">■ Неправильно встановлено глибину. | <ul style="list-style-type: none">■ Відрегулюйте глибину зубців для досягнення бажаного результату. |
| | <ul style="list-style-type: none">■ Зубці зношені або пошкоджені. | <ul style="list-style-type: none">■ За потреби замініть зубці. |

ГАРАНТІЯ

ПРАВИЛА ГАРАНТІЇ EGO

Відвідайте вебсайт egopowerplus.eu для отримання повного тексту умов гарантійної політики EGO.

UK

ПРОЧЕТЕТЕ ВСИЧКИ ИНСТРУКЦИИ!



ПРОЧЕТЕТЕ РЪКОВОДСТВОТО НА ОПЕРАТОРА

СИМВОЛИ ЗА БЕЗОПАСНОСТ

Целта на символите за безопасност е да привлечат вниманието към възможни опасности. Символите за безопасност и обясненията към тях заслужават вашето повишено внимание и осъзнаване. Символите за безопасност сами по себе си не елиминират каквато и да е опасност. Инструкциите и предупрежденията, които предоставят не са заместители за подходящите мерки за предотвратяване на инцидент.

⚠ ПРЕДУПРЕЖДЕНИЕ: Уверете се, че сте прочели и разбрали всички инструкции за безопасност в това Ръководство на оператора, включително всички известяващи символи за безопасност, като „ОПАСНОСТ“, „ПРЕДУПРЕЖДЕНИЕ“ и „ВНИМАНИЕ“, преди да използвате тази машина. Неспазването на всички инструкции изброени долу може да доведе до електрически удар, пожар и/или сериозно нараняване.

ЗНАЧЕНИЕ НА СИМВОЛИТЕ

⚠ СИМВОЛ СИГНАЛИЗИРАЩ ЗА БЕЗОПАСНОСТ: Показва ОПАСНОСТ, ПРЕДУПРЕЖДЕНИЕ ИЛИ ВНИМАНИЕ. Могат да бъдат използвани във връзка с други символи или пиктограми.



⚠ ПРЕДУПРЕЖДЕНИЕ:

Експлоатацията на всички машини, може да доведе до изхвърляне на чужди предмети към вашите очи, което може да доведе до сериозно нараняване на очите. Преди


започване на работа с машината, винаги носете предпазни очила със странична защита и визьор за цялото лице, когато е необходимо. Ние препоръчваме предпазна маска с широк визьор за употреба над очила или стандартни предпазни очила със странична защита.

ИНСТРУКЦИИ ЗА БЕЗОПАСНОСТ

Тази страница изобразява и описва символите за безопасност, които може да се появят по този продукт. Прочетете, осъзнайте и следвайте всички инструкции по машината преди предприемане на сглобяване и работа.

| | | |
|--|--------------------------------------------------------------------------------|----------------------------------------------------------------------------------------------------------------------------------------------------|
| | Сигнал за безопасност | Показва риска от потенциално нараняване на човек. |
| | Прочетете и разберете ръководството на оператора | За намаляване на опасността от нараняване, потребителят трябва да прочете и разбере ръководството на оператора преди използването на този продукт. |
| | Носете защита за очите | Винаги носете предпазни очила със странична защита и предпазен екран за цялото лице, когато работите с този продукт. |
| | ПРЕДУПРЕЖДЕНИЕ – Пазете се от изхвърлени предмети - дръжте минувачите настрана | Предупреждава потребителя да се пази от изхвърлени предмети - дръжте околните хора настрана. |
| | ОПАСНОСТ – Дръжте ръцете и краката си далеч | Предупреждава потребителите да държат ръцете и краката си далеч. |
| | ПРЕДУПРЕЖДЕНИЕ – Дръжте ръцете и краката си далеч от зъбите | Предупреждава потребителя да държи ръцете и краката си далеч от зъбите. |
| | CE | Този продукт е в съответствие с приложимите директиви на ЕС. |
| | UKCA | Този продукт е в съответствие с приложимото законодателство на Великобритания. |

BG

| | | |
|-----------------------------------------------------------------------------------|------------------------------------------------------|-------------------------------------------------------------------------------------------------------------------------------------------------|
|  | WEEE | Отпадъчните електрически продукти не трябва да бъдат изхвърляни заедно с домакинския отпадък. Отнесете го до упълномощено място за рециклиране. |
|  | Шум | Гарантирано ниво на мощност на звука. Звуквите емисии към околната среда са в съответствие с директивите на европейската общност. |
| V | Волт | Напрежение |
|  | Постоянен ток (DC) | Вид или характеристика на тока |
| мм | Милиметър | Дължина или размер |
| кг | Килограм | Тегло |
| мин | Минути | Време |
| n_0 | Скорост без натоварване | Скорост на въртене без товар |
| Мин ⁻¹ | Обороти или възвратно-постъпателни движения в минута | Обороти, удари, скорост на повърхността, обиколки и т.н. в минута |
| RPM | Обороти в минута | Скорост на въртене |
| °C | Градуси по Целзий | Температура |

⚠ ПРЕДУПРЕЖДЕНИЕ: За да осигурите безопасността и надеждността, всички поправки трябва да се извършват от квалифициран сервизен техник.

ОБЩИ ПРЕДУПРЕЖДЕНИЯ ЗА БЕЗОПАСНОСТ НА МАШИНИ, РАБОТЕЩИ С БАТЕРИИ

⚠ ПРЕДУПРЕЖДЕНИЕ: ПРОЧЕТЕТЕ ВСИЧКИ ПРЕДУПРЕЖДЕНИЯ ЗА БЕЗОПАСНОСТ, ИНСТРУКЦИИ, ИЛЮСТРАЦИИ И СПЕЦИФИКАЦИИ ПРЕДОСТАВЕНИ С ТАЗИ МАШИНА. Неспазването на всички инструкции изброени долу може да доведе до токов удар, пожар и/или сериозно нараняване.

ЗАПАЗЕТЕ ВСИЧКИ ПРЕДУПРЕЖДЕНИЯ И ИНСТРУКЦИИ ЗА БЪДЕЩА СПРАВКА.

Терминът "машина" в предупрежденията се отнася до вашата машина, захранвана от електрическата мрежа (с кабел) или от батерия (без кабел).

БЕЗОПАСНОСТ В РАБОТНАТА ЗОНА

- **Поддържайте работната зона чиста и добре осветена.** Разхвърляни или тъмни работни зони поразяват инциденти.
- **Не работете с машини в експлозивна атмосфера, като например в присъствието на запалими течности, бензин или прах.** Машините създават искри, които могат да възпламенят прах или изпарения.
- **Дръжте на разстояние децата и страничните лица, докато работите с машина.** Разсейването може да причини загуба на контрол.

ЕЛЕКТРИЧЕСКА БЕЗОПАСНОСТ

- **Щепселите на машината трябва да съответстват на контакта. Никога не модифицирайте щепсела по какъвто и да е начин. Не използвайте какъвто и да е адаптер със заземени (замасени) машини.** Немодифицираните щепсели и съответстващите контакти ще намалят риска от електрически шок.
- **Избягвайте контакт на тялото със заземени повърхности, като тръби, радиатори, кухненски печки и хладилници.** Съществува повишена опасност от токов удар, ако тялото Ви е заземено.
- **Не работете с машината при дъждовни или мокри условия.** Това може да увеличи риска от токов удар.
- **Не злоупотребявайте с кабела. Никога не използвайте кабела за пренасяне, изтегляне или изключване от контакта на машината. Дръжте кабела настрана от топлина, масло, остри ръбове или движещи се части.** Повредени или оплетени кабели увеличават риска от електрически удар.

- Когато работите с машина на открито, използвайте удължителен кабел подходящ за употреба на открито. Употребата на кабел подходящ за употреба на открито намалява риска от електрически удар.
- Ако работата с машината на влажно място е неизбежна, използвайте захранване със защитен прекъсвач на веригата при неизправно заземяване (GFCI). Употребата на GFCI намалява риска от електрически удар.

ЛИЧНА БЕЗОПАСНОСТ

- Внимавайте, гледайте какво правите и използвайте здрав разум, когато работите с машина. Не използвайте машината, когато сте уморени или когато сте под влияние на наркотици, алкохол или лекарства. Момент невнимание по време на работата с машини може да доведе до сериозно нараняване.
- Използвайте лични предпазни средства. Винаги носете защита за очите. Защитно оборудване като прахови маски, не плъзгащи се безопасно обувки, твърда каска или защита за слуха използвана при подходящи условия ще намали риска от лични наранявания.
- Предотвратете непреднамерено пускане. Уверете се, че ключът е в изключена позиция, преди да свържете към захранване и/или батерия, повдигайки или носейки машината. Пренасянето на машини с пръст върху превключвателя или включването на машини, които са с включен превключвател, води до злополуки.
- Извадете всеки регулиращ ключ или гаечен ключ, преди да включите машината. Гаечен или друг ключ оставен закачен към въртящите се части на машината може да доведе до лично нараняване.
- Не се протягайте. Запазете правилна стойка и баланс по всяко време. Това позволява по-добър контрол върху машината в непредвидени ситуации.
- Облечете се подходящо. Не носете отпуснати дрехи или бижута. Дръжте косата и дрехите си далеч от движещи се части. Отпуснати дрехи, бижута или дълга коса, могат да бъдат хванати в движещите се части.
- Ако са предоставени устройства за свързване на прахоуловител или съоръжения за събиране, уверете се, че те са свързани и са правилно използвани. Употребата на устройства за събиране на прах може да намали рисковете свързани с прах.
- Не позволявайте на рутината, придобита от честата употреба на машини, да позволи небрежност небрежни и игнориране на принципите за безопасност при работа с машина. Небрежно действие може да причини сериозно нараняване за части от секундата.

ИЗПОЛЗВАНЕ И ГРИЖА ЗА МАШИНАТА

- Не пресилвайте машината. Използвайте правилната машина за вашето приложение. Правилната машина ще свърши работата по-добре и по-безопасно при капацитета за който е проектирана.
- Не използвайте машината, ако превключвателят не го включва и изключва. Машината, която не може да бъде контролирана от превключвателя, е опасна и трябва да бъде поправена.
- Разкачете щепсела от захранването и/или извадете батерията, ако може да се извади, от машината, преди да извършите настройки, смяна на аксесоари или съхраняване на машините. Подобни превантивни мерки за безопасност намаляват риска от случайно стартиране на машината.
- Съхранявайте неизползваните машини далеч от обсега на деца и не позволявайте на лица, които не са запознати с машината или тези инструкции, да работят с машината. Машините са опасни в ръцете на необучени потребители.
- Поддържайте машини и аксесоари. Проверете за разместване или блокиране на подвижни части, счупване на части, и всякакви други условия, които могат да повлияят на работата на машината. Ако е повредена, поправете машината преди употреба. Много злополуки се причиняват от лошо поддържани машини.
- Поддържайте режещите машини остри и чисти. Правилно поддържани режещи машини, с остри режещи ръбове е по-малко вероятно да се залепят и по-лесно се контролират.
- Използвайте машината, аксесоарите, накрайниците на машината и т.н. в съответствие с тези инструкции, като вземете предвид условията на работа и вида работа, която ще бъде извършвана. Употребата на машината за дейности различни от предназначенията може да доведе до опасни ситуации.
- Дръжте ръкохватките и повърхностите за захващане сухи, чисти и без масло и грес. Хлъзгавите ръкохватки и места за захващане не позволяват безопасно боравене и контролиране на машината при неочаквана ситуация.

ИЗПОЛЗВАНЕ И ГРИЖА ЗА АКУМУЛАТОРНАТА МАШИНА

- Презареждайте само със зарядното устройство определено от производителя. Зарядно устройство, което е подходящо за един вид акумулаторна батерия може да създаде опасност от пожар, когато се използва с друга акумулаторна батерия.
- Използвайте машините само със специфично обозначени акумулаторни батерии. Използването на всяка друга акумулаторна батерия може да създаде риск от нараняване и пожар.
- Когато акумулаторните батерии не са в употреба ги дръжте на разстояние от други метални обекти, като кламери, монети, ключове, пирони, отвертки или други малки метални предмети, които могат да направят свързване между клемите. Свързване на късо на клемите на батерията може да причини изгаряне или пожар.
- При условия на злоупотреба, може да се изхвърли течност от батерията. Избягвайте контакт. В случай на инцидентен контакт измийте с вода. Ако течността влезе в контакт с очите, потърсете допълнително медицинска помощ. Течността изхвърлена от батерията може да причини раздразнение или изгаряния.
- Не използвайте акумулаторна батерия или машина, които са повредени или модифицирани. Повредените или модифицираните батерии може да проявят непредсказуемо поведение, което да доведе до пожар, експлозия или риск от нараняване.
- Не излагайте батерията или машината на огън или прекомерна температура. Излагане на огън или температура над 130 °C може да причини експлозия.
- Следвайте всички инструкции за зареждане и не зареждайте батерията или машината извън температурния обхват зададен в инструкциите. Неправилното зареждане или зареждане извън определения температурен обхват може да повреди батерията и да повиши риска от пожар.

BG

ОБСЛУЖВАНЕ

- Обслужвайте вашата машина чрез квалифициран техник, като използвате само идентични резервни части. Това ще осигури поддържането на безопасност за машината.
- Никога не поправяйте повредени акумулаторни батерии. Ремонтът на акумулаторни батерии трябва да бъде извършван от производителя или оторизиран сервис.

ПРЕДУПРЕЖДЕНИЯ ЗА БЕЗОПАСНОСТ ЗА ПРИСТАВКАТА ЗА ПРИБИРАНЕ НА ОКОСЕН МАТЕРИАЛ

- Не използвайте машината в лоши метеорологични условия, особено, когато има риск от светкавици. Това намалява риска да бъдете ударен от светкавица.
- Внимателно проверете района за дивата природа, където трябва да се използва машината. Дивата природа може да бъде увредена от машината по време на работа.
- Инспектирайте старателно зоната, където ще бъде използвано машината и премахнете всички камъни, пръчки, жици, кости и други чужди предмети. Изхвърлените предмети могат да причинят телесна повреда.
- Преди да използвате машината, винаги визуално инспектирайте, за да видите дали зъбите и възелът на зъбите не са повредени. Износените или повредени части увеличават риска от нараняване.
- Дръжте предпазителите на място. Предпазителите трябва да са в изправност и правилно монтирани. Предпазител, който е разхлабен, повреден или не функционира правилно, може да доведе до нараняване.
- Поддържайте по всички въздушни отвори за охлаждане да няма остатъци. Блокираните входи за въздух и остатъците могат да доведат до прегряване или риск от пожар.
- Докато работите с машината, винаги носете нехлъзгащи се и защитни обувки. Не работете с машината, когато сте боси или носите отворени сандали. Това намалява вероятността от нараняване на краката от контакт с движещите се зъби.
- Докато работите с машината, винаги носете дълги панталони. Откритата кожа увеличава вероятността от нараняване от изхвърлени предмети.
- Не работете с машината в мокра трева. Вървете, никога не бягайте. Това намалява риска от подхлъзване и падане, което може да доведе до телесна повреда.
- Не работете с машината на прекалено стръмни склонове. Това намалява риска от загуба на контрол, подхлъзване и падане, което може да доведе до телесна повреда.
- Когато работите върху склонове, винаги бъдете сигурни в стойката си, винаги работете напречно

на склоновете, никога нагоре или надолу и проявявайте изключителна предпазливост при промяна на посоката. Това намалява риска от загуба на контрол, подхлъзване и падане, което може да доведе до телесна повреда.

- Бъдете с повишено внимание, когато давате назад или издърпвате машината към вас. Винаги бъдете наясно със заобикалящата ви среда. Това намалява риска от претъпване по време на работа.
- Дръжте машината само за изолираните повърхности за захващане, тъй като зъбите може да влязат в контакт със скрит кабел. Зъбите в контакт с кабел под напрежение могат да направят откритите метални части на машината под напрежение и могат да причинят на оператора токов удар.
- Не докосвайте зъбите и други опасни движещи се части, докато все още са в движение. Това намалява риска от нараняване от движещи се части.
- Когато почиствате заседнал материал или почиствате машината, уверете се, че всички преклювачатели на захранването са изключени и батерията е изключена. Неочаквано задействане на машината може да доведе до сериозно нараняване.

ДОПЪЛНИТЕЛНИ ПРЕДУПРЕЖДЕНИЯ

- Използвайте само със захранваща глава EGO PH1400E/PH1420E/PHX1600.
БЕЛЕЖКА: За подробни правила за безопасност и инструкции за работа вижте ръководството за експлоатация на вашата захранваща глава EGO PH1400E/PH1420E/PHX1600.

ЗАПАЗЕТЕ ТЕЗИ ИНСТРУКЦИИ

СПЕЦИФИКАЦИИ

| | |
|------------------------------------------------|---------------------|
| Максимална работна ширина | 355 mm |
| Скорост на празен ход (с PH1420E) | Ниски: 2600 ОБ/МИН |
| | Високи: 3000 ОБ/МИН |
| Регулиране на дълбочината | 3 позиции |
| Дълбочина на отстраняване на окосения материал | 0 / 10 mm / 20 mm |
| Препоръчителна работна температура | 0°C – 40°C |

| | | |
|---------------------------------------------------------------------------|--------------------------------|--------------------------------------------------------------|
| Препоръчителна температура на съхранение | | -20°C – 70°C |
| Измерено ниво на сила на звука L_{WA} | | 88 dB(A) K=2 dB(A) (PH1400E) |
| | | 88,49 dB(A) K=0,81 dB(A) (PH1420E) |
| | | 90 dB(A) K=0,9 dB(A) (PHX1600) |
| Ниво на звуково налягане при ухото на оператора L_{PA} | | 82 dB(A) K=3 dB(A) (PH1400E) |
| | | 79,8 dB(A) K=3 dB(A) (PH1420E) |
| | | 82 dB(A) K=3 dB(A) (PHX1600) |
| Гарантирано ниво на сила на звука L_{WA} (измерено съгласно 2000/14/EC) | | 92 dB(A) |
| Оценка на вибрации a_h | Предна спомагателна ръкохватка | 2,35 m/s ² K=1,5 m/s ² (PH1400E) |
| | | 2,36 m/s ² K=1,5 m/s ² (PH1420E) |
| | | 2,63 m/s ² K=1,5 m/s ² (PHX1600) |
| | Rear handle | 2,66 m/s ² K=1,5 m/s ² (PH1400E) |
| | | 2,24 m/s ² K=1,5 m/s ² (PH1420E) |
| | | 1,74 m/s ² K=1,5 m/s ² (PHX1600) |
| Тегло (с цилиндър за отстраняване на окосения материал) | | 7,4 kg |

- Горните параметри са тествани и измерени в оборудване със захранваща глава RH1400E/RH1420E/RHX1600.
- Декларираната обща стойност на вибрациите е измерена в съответствие със стандартния метод за тест и може да бъде използван за сравнение между два инструмента.
- Декларираният общ размер на вибрации може също така да бъде използван за предварителна оценка на влиянието.

▲ ПРЕДУПРЕЖДЕНИЕ: Вибрационните емисии по време на действителната употреба на машината може да се различава от декларираната стойност. С цел да се защити оператора, потребителят трябва да носи ръкавици и антифони в действителни условия на работа.

▲ ПРЕДУПРЕЖДЕНИЕ: Необходимо е идентифициране на мерки за безопасност за защита на оператора, които се основават на оценка на експозицията при действителните условия на употреба (като се вземат предвид всички части на работния цикъл, като например времето, когато машината е изключена и когато работи на празен ход в допълнение към времето за задействане).

ОПИСАНИЕ

ЗАПОЗНАЙТЕ СЕ С ВАШАТА ПРИСТАВКА ЗА ПРИБИРАНЕ НА ОКОСЕН МАТЕРИАЛ (Фиг. А)

1. Крайна капачка (2)
2. Шпindel на приставката
3. Долен капак
4. Колело
5. Възел на горния капак
6. Лост за регулиране на дълбочината
7. Дефлекторен предпазител
8. Стъргалка
9. Шестостенен ключ 4 мм
10. Шестостенен ключ 5 мм
11. Зъб на гребло
12. Цилиндър за прибиране на окосения материал

ВГ

МОНТАЖ

▲ ПРЕДУПРЕЖДЕНИЕ: Ако някои от частите са повредени или липсват, не работете с този продукт, докато частите не се подменят. Използването на този продукт с повредени или липсващи части може да

доведе до сериозно лично нараняване.

▲ ПРЕДУПРЕЖДЕНИЕ: Не се опитвайте да модифицирате този продукт или да създадете аксесоари, които не се препоръчват за употреба с този продукт. Всяка такава промяна или модификация е злоупотреба и може да доведе до опасни условия с последици от възможни сериозни наранявания.

СВЪРЗВАНЕ НА ВАЛА НА ПРИСТАВКАТА КЪМ ВЪЗЕЛА НА ПРИСТАВКАТА ЗА ПРИБИРАНЕ НА ОКОСЕНИЯ МАТЕРИАЛ (Фиг. В)

| | | | |
|-----|------------------------|-----|---------------|
| В-1 | Болт М5 | В-4 | Отвор |
| В-2 | Болт | В-5 | Отвор за винт |
| В-3 | Шпindel на приставката | В-6 | Долен капак |

1. Поставете комплекта на приставката за прибиране на окосен материал с главата надолу върху стабилна равна повърхност.
2. Извадете крайната капачка от предния край на вала на приставката.
3. С отвора на вала на приставката, обърнат нагоре, вкарайте вала на приставката в долния капак на приставката докрай. Подравнете отвора за винт в долния капак с отвора на вала на приставката.
4. С помощта на предоставения шестостенен ключ с диаметър 4 мм закрепете долния капак към вала приставката с болта М5.
5. С помощта на шестостенния ключ затегнете здраво двата предварително монтирани болта към долния капак.

▲ ПРЕДУПРЕЖДЕНИЕ: Уверете се, че трите болта са напълно затегнати, преди да работите с оборудването, проверявайте го за затягане периодично по време на употреба, за да избегнете сериозно нараняване.

СВЪРЗВАНЕ НА ПРИСТАВКАТА ЗА ПРИБИРАНЕ НА ОКОСЕН МАТЕРИАЛ КЪМ ЗАХРАНВАЩАТА ГЛАВА

Тази приставка за прибиране на окосен материал е проектирана за употреба със захранваща глава EGO RH1400E/RH1420E/RHX1600.

Вижте раздел „МОНТИРАНЕ НА ПРИСТАВКА КЪМ ЗАХРАНВАЩАТА ГЛАВА“ в ръководството на оператора на захранваща глава RH1400E/RH1420E/RHX1600.

ЕКСПЛОАТАЦИЯ

▲ ПРЕДУПРЕЖДЕНИЕ: Не позволявайте рутината с този продукт да ви направи непредазливи. Запомнете, че невнимание за малка част от секундата е достатъчна за да нанесе сериозно нараняване.

▲ ПРЕДУПРЕЖДЕНИЕ: Винаги носете защита за очите. Ако не го направите може да доведе до изхвърляне на предмети към очите ви и други възможни сериозни наранявания.

▲ ПРЕДУПРЕЖДЕНИЕ: За да предотвратите сериозно нараняване, извадете акумулаторната батерия от продукта, преди обслужване, почистване, смяна на приставките или изваждане на материал от продукта.

▲ ПРЕДУПРЕЖДЕНИЕ: Не използвайте други приставки или аксесоари, които не са препоръчани от производителя на този продукт. Употребата на приставки или аксесоари, които не са препоръчани, може да доведе до сериозно нараняване.

ПРИЛОЖЕНИЯ

Отстранете старите, изсъхнали резници, мъха, тревата или остатъците от корени от тревните площи.

СТАРТИРАНЕ/СПИРАНЕ НА ПРИСТАВКАТА ЗА ПРИБИРАНЕ НА ОКОСЕНА ТРЕВА

Преди употреба на приставката за прибиране на окосена трева

▲ ПРЕДУПРЕЖДЕНИЕ: За да избегнете сериозно нараняване, носете предпазни очила по всяко време, когато работите с този продукт. Носете маска за лицето или прахова маска при запрашени места. Носете подходящо облекло и обувки по време на работа, за да намалите риска от нараняване, което може да бъде причинено от летящи частици.

- Инспектирайте продукта цялостно за повреда, преди да го използвате. Не използвайте продукта, ако е повреден или има следи от износване.
- Уверете се, че на тревната площ няма камъни, пръчки, тел или други предмети, които биха могли да повредят продукта.
- Окосете тревната площ преди работа и я наторете след това.

Съвети при работа

За да се развие здрава морава през пролетта, е необходимо в зоната около корените на тревата да прониква по-голямо количество въздух. Препоръчваме

ви да почиствате от тревата тревните площи поне два пъти годишно, през пролетта или есента, в зависимост от състоянието на вашата морава.

- За вашата безопасност, не работете върху наклони по-големи от 15 градуса. Работете напречно по наклона, никога нагоре и надолу. Бъдете изключително внимателни, когато сменят посоката при склонове.
- Не работете с този продукт на мокра тревна площ, тъй като мократа трева има склонност да залепва по платформата и зъбите, а също така може да причини подхлъзване и падане.
- Дръжте продукта с две ръце. Поддържайте ръкохватките сухи, за да осигурите безопасна опора.
- Бавно натиснете продукта напред. Придвигвайте продукта с подходяща скорост. Не го движете твърде бързо, за да не заседнат зъбите и да не се предизвика претоварване на двигателя.
- Изключете продукта незабавно, ако в работната зона влязат други хора. Винаги изчаквайте продукта да спре напълно, преди да го оставите.
- Не се претоварвайте. Правете редовни почивки, за да сте сигурни, че можете да се концентрирате върху работата и да имате пълен контрол върху машината.
- Работете в леко застъпващи се редове. Най-ефективният модел е с прави линии по протежение на една от страните (фиг. С). Така редовете ще бъдат равномерни и ще се гарантира, че цялата тревна площ е с отстранена трева, без да се пропускат места.
- Обръщайте специално внимание при смяна на посоката.
- Винаги бъдете сигурни за вашата стабилност на краката. Подхлъзване и падане може да причини сериозно нараняване. Ако почувствате, че губите равновесие, незабавно изключете двигателя.
- Не работете в близост до отвесни места, канавки или насипи, може да изгубите опората в краката или баланса.

За стартиране/спиране на приставката за прибиране на окосен материал

Вижте раздел „СТАРТИРАНЕ/СПИРАНЕ НА ЗАХРАНВАЩАТА ГЛАВА“ в ръководството на оператора за хранваща глава RH1400E/RH1420E / RHX1600.

▲ ПРЕДУПРЕЖДЕНИЕ: Спрете машината, ако тя трябва да бъде наклонена за транспортиране, когато пресичате повърхности различни от трева и когато транспортирате машината до и от зоната на употреба.

⚠ ПРЕДУПРЕЖДЕНИЕ: Не наклоняйте машината, когато включвате двигателя, освен ако машината трябва да бъде наклонена за стартиране. В този случай не я наклоняйте повече от колкото е абсолютно необходимо и повдигнете само частта, която е далеч от оператора.

Проверете за блокиране на зъбите

- За да предотвратите блокиране, почиствайте долната част на машината преди и след всяка употреба, за да отстраните натрупаните остатъци.
- Когато възникне блокиране, спрете машината и извадете акумулаторната батерия, след това отстранете всяко натрупване на трева и листа върху или около зъбите и платформата. Почистете с изтриване машината с влажна кърпа.

РЕГУЛИРАНЕ НА ДЪЛБОЧИНАТА (фиг. D)

⚠ ПРЕДУПРЕЖДЕНИЕ: Дръжте краката си на разстояние от платформата, когато регулирате дълбочината.

Дълбочината на отстраняване на окосения материал може да се настройва в 3 позиции за дълбочина:

- 1 и 2: работна позиция
- 3: транспортна позиция

Регулирайте дълбочината в зависимост от нуждите на вашата морава.

1. Изключете машината и я изчакайте да спре напълно.
2. Премахнете акумулаторната батерия.
3. Издърпайте лоста за регулиране на дълбочината от фиксатора и го поставете в желаната позиция.

| | | | |
|-----|-----------------------------------|-----|------------------------|
| D-1 | Лост за регулиране на дълбочината | D-2 | Позиция на дълбочината |
|-----|-----------------------------------|-----|------------------------|

ПОДДРЪЖКА

⚠ ПРЕДУПРЕЖДЕНИЕ: Преди инспекция, почистване или обслужване на машината спрете мотора, изчакайте всички движещи части да спрат и извадете акумулаторната батерия. Неспазването на тези инструкции може да доведе до сериозно нараняване или щети по собствеността.

⚠ ПРЕДУПРЕЖДЕНИЕ: Винаги носете защита за очите със странични предпазни екрани. Ако не го направите може да доведе до изхвърляне на предмети към очите ви водещо до сериозни наранявания.

⚠ ПРЕДУПРЕЖДЕНИЕ: Когато обслужвате, използвайте само идентични резервни части. Употребата на каквито и да е други части може да създаде опасност или да предизвика повреда на продукта. За да осигурите безопасност и издръжливост, всички ремонти, различни от артикулите изброени в тези инструкции за поддръжка, трябва да бъдат извършвани от квалифициран сервизен техник.

⚠ ПРЕДУПРЕЖДЕНИЕ: След удар в чужд предмет спрете машината и извадете акумулаторната батерия, за да се уверите, че всички движещи се части са спрели напълно. След това проверете машината за повреди и извършете ремонт, преди да я стартирате отново и да я използвате.

⚠ ПРЕДУПРЕЖДЕНИЕ: Ако машината започне да вибрира необичайно, спрете машината и извадете акумулаторната батерия, за да се уверите, че всички движещи се части са спрели напълно. След това незабавно проверете за повреди, заменете или поправете повредените части и проверете и затегнете всички разхлабени части.

⚠ ПРЕДУПРЕЖДЕНИЕ: Внимавайте по време на настройването на продукта, за да избегнете заклещване на пръстите си между движещите се ножове и стационарните части на продукта.

ПОЧИСТВАНЕ

⚠ ПРЕДУПРЕЖДЕНИЕ: Когато почиствате приставката за прибиране на окосен материал, НЕ я потапяйте във вода или други течности.

Избягвайте употребата на разтворители, когато почиствате пластмасовите части. Повечето пластмасови части са уязвими на повреда от различни видове разтворители в търговската мрежа и може да се повредят от тяхната употреба. Използвайте чист плат, за премахване на мръсотия, прах, масло и т.н.

СМАЗВАНЕ

Всички лагери на този продукт са смазани с достатъчно количество висококачествена смазка за целия експлоатационен живот на машината при нормални условия на работа. Поради това не е необходимо допълнително смазване на лагерите.

ЗАМЯНА НА ЦИЛИНДЪРА

⚠ ПРЕДУПРЕЖДЕНИЕ: Преди да извършвате каквато и да е поддръжка, винаги изваждайте акумулаторната батерия от машината и изчакайте, докато цилиндърът на зъбите спре напълно. Носете защитни ръкавици, когато боравите със зъбите.

За да снемете цилиндъра

1. Извадете акумулаторната батерия от захранващата глава.
2. Поставете приставката с горната страна надолу върху равна и стабилна повърхност.
3. Използвайте предоставения шестостенен ключ с диаметър 5 мм, за да разхлабите и отстраните двата застопоряващи болта на лагерното легло на цилиндъра за прибиране на окосения материал (фиг. E1).
4. Избутайте цилиндъра за прибиране на окосения материал, докато шлицовият вал в десния край се извади от шлицовата главина на машината (фиг. E2).
5. Извадете цилиндъра за прибиране на окосения материал от машината (Фиг. E3).

| | | | |
|------|-----------------|------|--------------------------------------------|
| E1-1 | Лагерно легло | E1-2 | Цилиндър за прибиране на окосения материал |
| E2-1 | Вал на шпиндела | E2-2 | Главина на шпиндела |

За да инсталирате новия цилиндър

1. Поставете лагерното легло на новия цилиндър върху основата на машината и избутайте цилиндъра наляво, доколкото е възможно (фиг. F1).
2. Подравнете и вкарайте шлицовия вал от дясната страна на цилиндъра в шлицовата главина на машината (фиг. F2).
3. Подравнете двата отвора на лагерното легло с отворите на основата и закрепете лагерното легло към основата с помощта на фиксиращите болтове (фиг. F3).

СМЯНА НА ЗЪБИТЕ НА ГРЕБЛОТО

При нормална употреба зъбите на греблото могат да се износят или счупят с течение на времето. Когато при регулирането на дълбочината на зъбите вече не се постига необходимото количество прибиране на окосен материал или ако някой от зъбите се счупи, следвайте стъпките по-долу, за да смените зъбите.

За да снемете зъбите

1. Извадете акумулаторната батерия от захранващата глава.
2. Поставете приставката с горната страна надолу върху равна и стабилна повърхност.
3. Вкарайте двата щифта на зъба на греблото в прореза 1 на цилиндъра и извадете зъба на греблото от цилиндъра за прибиране на окосения материал, както е показано на фигура G.

| | | | |
|-----|------|-----|----------|
| G-1 | Щифт | G-2 | Прорез 1 |
|-----|------|-----|----------|

За да монтирате зъба на греблото (фиг. H)

1. Поставете щифта на зъба на греблото в прореза 1 на цилиндъра (стъпка 1).
2. Поставете гнездото на зъба на греблото в прореза 2 на цилиндъра (стъпка 2).
3. Вкарайте двата щифта на зъба в прореза 1, избутайте ги напред до позицията на прореза 3 и двата щифта автоматично ще отскачат на мястото си (стъпка 3 и 4).

| | | | |
|-----|----------|-----|----------|
| H-1 | Щифт | H-2 | Прорез 1 |
| H-3 | Прорез 2 | H-4 | Прорез 3 |

ТРАНСПОРТИРАНЕ И СЪХРАНЕНИЕ

- Извадете акумулаторната батерия от захранващата глава.
- Преди съхранение винаги оставяйте продукта да се охлади.
- Почистете изцяло продукта преди да го съхраните.
- Съхранете уреда в сухо място с добра вентилация, заключен или съхраняван на високо извън достъпа на деца. Не съхранявайте продукта в близост или върху тор, бензин или други химикали.

ОПАЗВАНЕ НА ОКОЛНАТА СРЕДА



Не изхвърляйте електрическо оборудване, използвана батерия или зарядно устройство в домакинския отпадък! Отнесете продукта до упълномощена фирма за рециклиране и го предоставете за разделно събиране. Електрическите машини трябва да бъдат връщани в съоръжения за рециклиране съвместими с околната среда.

BG

ОТСТРАНЯВАНЕ НА ПРОБЛЕМИ

| ПРОБЛЕМ | ПРИЧИНА | РЕШЕНИЕ |
|---------------------------------------------------------------------|---------------------------------------------------------------------------------------------------------------------------------------------------------------------------------------------------------------------------------------------------------------|--------------------------------------------------------------------------------------------------------------------------------------------------------------------------------------------------------------------------------------------------------------------------------------------------|
| Двигателят не се стартира | <ul style="list-style-type: none"> ■ Аккумуляторната батерия е изтощена. ■ Бутонът за заключване или спусъкът превключвател не се използват правилно. ■ Аккумуляторната батерия не е поставена напълно в порта за батериите. | <ul style="list-style-type: none"> ■ Заредете аккумуляторната батерия. ■ Следвайте раздел „СТАРТИРАНЕ/ СПИРАНЕ НА ЗАХРАНВАЩАТА ГЛАВА“ в ръководството за захранващата глава. ■ Проверете дали аккумуляторната батерия е поставена напълно в порта за батериите. |
| Машината издава необичайни звуци. | <ul style="list-style-type: none"> ■ Отломки или чужди предмети пречат на зъбите на машината. | <ul style="list-style-type: none"> ■ Спрете двигателя, извадете аккумуляторната батерия и отстранете отломките или чуждите предмети, които пречат на машината да работи правилно. |
| Машината не работи правилно или резултатите не са удовлетворителни. | <ul style="list-style-type: none"> ■ Тревата е твърде висока. | <ul style="list-style-type: none"> ■ Окосете моравата преди прибиране на окосения материал. |
| | <ul style="list-style-type: none"> ■ Мокри остатъци, полепнали по долната страна на платформата. | <ul style="list-style-type: none"> ■ Изчакайте докато тревата се изсуши преди прибиране. |
| | <ul style="list-style-type: none"> ■ Дълбочината е настроена на грешна стойност. | <ul style="list-style-type: none"> ■ Регулирайте дълбочината на зъбите, за да постигнете желанния резултат. |
| | <ul style="list-style-type: none"> ■ Зъбите са износени или повредени. | <ul style="list-style-type: none"> ■ Сменяйте зъбите при необходимост. |

ГАРАНЦИЯ

ГАРАНЦИОННА ПОЛИТИКА EGO

Моля, посетете уебсайта egopowerplus.eu за пълните срокове и условия по гаранционната политика на EGO.

PROČITAJTE UPUTE U CIJELOSTI!



PROČITAJTE KORISNIČKI PRIRUČNIK

SIGURNOSNI SIMBOLI

Svrha simbola sigurnosti je skretanje pozornosti na moguće opasnosti. Simboli sigurnosti i njihova objašnjenja zahtijevaju vašu potpunu pozornost i razumijevanje. Simboli upozorenja ne isključuju opasnost sami po sebi. Upute i upozorenja koja pružaju nisu zamjena za propisne mjere za prevenciju nezgoda.

⚠ UPOZORENJE: Prije upotrebe stroja pročitajte s razumijevanjem sve upute u ovom korisničkom priručniku, uključujući sve sigurnosne simbole kao što su „OPASNOST“, „UPOZORENJE“ i „OPREZ“. Zanemarivanje uputa navedenih u nastavku može rezultirati električnim udarom, požarom i/ili teškim tjelesnim ozljedama.

ZNAČENJE SIMBOLA

⚠ SIMBOL UPOZORENJA U VEZI SIGURNOSTI:

Označava **OPASNOST, UPOZORENJE ILI OPREZ**. Može se upotrebljavati povezan s drugim simbolima ili piktogramima.



⚠ UPOZORENJE: Rukovanje strojevima može rezultirati odbacivanjem stranih predmeta u oči, što može izazvati teške ozljede očiju. Pri radu sa strojem nosite zatvorene zaštitne naočale ili zaštitne naočale s


bočnim štitnicima, a prema potrebi i štitnik za cijelo lice. Preporučujemo nošenje sigurnosne maske proizvođača Wide Vision preko naočala ili nošenje standardnih zaštitnih naočala s bočnim štitnicima.

UPUTE U VEZI SIGURNOSTI

Na ovoj stranici slikovno su prikazani i objašnjeni simboli sigurnosti koji se mogu pojaviti na ovom proizvodu. Prije sastavljanja i rukovanja, s razumijevanjem pročitajte sve upute na stroju i pridržavajte ih se.

| | | |
|--|-----------------------------------------------------------------------------|----------------------------------------------------------------------------------------------------------------------------------------|
| | Upozorenje u vezi sigurnosti | Označava moguću opasnost od tjelesne ozljede. |
| | S razumijevanjem pročitajte priručnik za rukovatelje | Radi smanjenja opasnosti od ozljeda, prije uporabe ovog proizvoda korisnik treba s razumijevanjem pročitati ovaj korisnički priručnik. |
| | Nosite zaštitu za oči | Kada rukujete ovim proizvodom, nosite zatvorene zaštitne naočale ili zaštitne naočale s bočnim štitnicima i štitnik za cijelo lice. |
| | UPOZORENJE - čuvajte se bačenih predmeta - promatrače držite na udaljenosti | Korisnika upozorava da se čuva bačenih predmeta - promatrače držite na udaljenosti. |
| | OPASNOST – držite podalje od ruku i stopala | Korisnike upozorava da drže ruke i stopala podalje. |
| | UPOZORENJE – ruke i stopala držite podalje od zubaca | Korisnika upozorava da drži ruke i stopala podalje od zubaca. |
| | CE | Ovaj proizvod je u skladu s važećim direktivama EU. |
| | UKCA | Ovaj proizvod je u skladu s važećim zakonodavstvom UK. |
| | OEE0 | Otpadni električni proizvodi ne smiju se odlagati s otpadom iz kućanstva. Odnosite ih u ovlašteni centar za reciklažu. |
| | Buka | Zajamčena razina snage zvuka. Emisija buke u okruženju u skladu je sa smjericama Europske unije. |

HR

| | | |
|-----------------------------------------------------------------------------------|------------------------------------------------|--------------------------------------------------------|
| V | Volt | Napon |
|  | Istosmjerna struja (DC) | Vrsta ili karakteristike struje |
| mm | Milimetar | Duljina ili veličina |
| kg | Kilogram | Težina |
| min | Minuta | Vrijeme |
| n_0 | Brzina bez opterećenja | Brzina vrtnje u praznom hodu |
| Min^{-1} | Broj okretaja ili izmjenično kretanje u minuti | Okretaji, hod, površinska brzina, orbite itd. u minuti |
| RPM | Okretaji u minuti | Brzina vrtnje |
| $^{\circ}\text{C}$ | Stupnjevi Celzija | Temperatura |

⚠ UPOZORENJE: Radi sigurnosti i pouzdanosti, sve popravke mora obavljati kvalificirani servisni tehničar.

OPĆA UPOZORENJA O SIGURNOSTI UREĐAJA S BATERIJSKIM NAPAJANJEM

⚠ UPOZORENJE: PROČITAJTE SVA UPOZORENJA, UPUTE, ILUSTRACIJE U VEZI SIGURNOSTI I TEHNIČKE PODATKE ISPORUČENE S OVIM STROJEM. Zanemarivanje svih uputa navedenih u nastavku može rezultirati strujnim udarom, požarom i/ili teškim ozljedama.

SAČUVAJTE SVA UPOZORENJA I SVE UPUTE ZA BUDUĆE POTREBE.

Pojam „stroj” u upozorenjima odnosi se na stroj s napajanjem iz električne mreže (s kabelom) ili na stroj s napajanjem iz baterije (bez kabela).

SIGURNOST RADNOG PODRUČJA

- Radno područje održavajte čistim i dobro osvijetljenim. Pretrpana ili mračna područja izazivaju nezgode.
- Strojve ne upotrebljavajte u eksplozivnim okruženjima, primjerice u prisutnosti zapaljivih tekućina, plinova ili prašine. Strojevi stvaraju iskre koje mogu zapaliti prašinu ili isparenja.
- Udaljite djecu i promatrače za vrijeme rada sa

strojem. Ometanja mogu rezultirati gubitkom kontrole nad alatom.

ELEKTRIČNA SIGURNOST

- Utikači stroja moraju odgovarati utičnici. Nemojte raditi preinake na utikaču. Utikače s adapterom nemojte koristiti s uzemljenim strojevima. Nepreinačeni utikači i odgovarajuće utičnice smanjit će rizik od električnog udara.
- Izbjegavajte kontakt tijela s uzemljenim površinama, kao što su slavine, radijatori, peći i hladnjaci. Postoji povećan rizik od strujnog udara ako je vaše tijelo uzemljeno.
- Ne upotrebljavajte stroj za vrijeme kiše i na mokrim mjestima. To može povećati rizik od strujnog udara.
- Kabel nemojte upotrebljavati nepropisno. Kabel nemojte upotrebljavati za nošenje, povlačenje ili iskopčavanje stroja. Kabel držite podalje od topline, ulja, oštih rubova ili pokretnih dijelova. Oštećeni ili isprepleteni kabeli povećavaju rizik od električnog udara.
- Kada strojem radite na otvorenom, upotrebljavajte produžni kabel prikladan za upotrebu na otvorenom. Upotrebom kabela prikladnog za upotrebu na otvorenom smanjuje se rizik od strujnog udara.
- Ako je rad sa strojem u vlažnom području neizbježan, upotrebljavajte napajanje s uređajem za zaštitu od dozemnog spoja (GFCI). Uporabom uređaja za zaštitu od dozemnog spoja smanjuje se rizik od električnog udara.

OSOBNA SIGURNOST

- Budite oprezni, gledajte što radite i vodite se načelima zdravog razuma kada radite sa strojem. Nemojte raditi sa strojem ako ste umorni ili pod utjecajem opojnih sredstava, alkohola ili lijekova. Trenutak nepažnje tijekom rada s uređajem može dovesti do teške tjelesne ozljede.
- Upotrebljavajte osobnu zaštitnu opremu. Obavezno nosite zaštitu za oči. Zaštitna oprema poput maske za zaštitu od prašine, protuklizne sigurnosne obuće, kacige ili zaštite za sluh upotrijebljena na napajanje strojeva koji imaju uključenu sklopku izaziva nesreće.
- Prije uključivanja stroja uklonite sve ključeve za podešavanje ili ključeve za stezanje. Ako se ključ za stezanje ili za podešavanje ostavi na rotacijskom dijelu

stroja, to može rezultirati tjelesnim ozljedama.

- **Nemojte se naginjati preko alata. Cijelo vrijeme održavajte propisno držanje i ravnotežu.** To će omogućiti bolju kontrolu nad strojem u neočekivanim situacijama.
- **Obucite se prikladno. Ne nosite široku odjeću ili nakit. Kosu i odjeću držite dalje od pokretnih dijelova.** Široka odjeća, nakit ili duga kosa može se zahvatiti pokretnim dijelovima.
- **Ako su uređaji opremljeni priključkom za odvod i sakupljanje prašine, pobrinite se da se propisno spoje i upotrebljavaju.** Upotrebom sustava za sakupljanje prašine mogu se umanjiti opasnosti koje se odnose na prašinu.
- **Nemojte dopustiti da vas poznavanje stroja stečeno čestom upotrebom učini samodopadnim te da ignorirate sigurnosna načela za stroj.** Nepažljiv rad može rezultirati teškim ozljedama u djelici sekunde.

KORIŠTENJE I NJEGA STROJEVA

- **Nemojte preopterećivati stroj. Koristite odgovarajući stroj za primjenu.** Propisan stroj bolje će i sigurnije obaviti zadatak brzinom za koju je konstruiran.
- **Ne upotrebljavajte stroj ako ga sklopkom ne možete uključiti i isključiti.** Svaki stroj koji ne možete sklopkom uključiti i isključiti je opasan i mora se popraviti.
- **Prije podešavanja, zamjene pribora ili skladištenja strojeva odvojite utikač od izvora napajanja i/ili uklonite baterijski modul, ako je odvojiv.** Takve preventivne sigurnosne mjere smanjuju rizik od slučajnog pokretanja stroja.
- **Neaktivan stroj čuvajte izvan dohvata djece i ne dopustite osobama koje nisu upoznate s strojem ili ovim uputama da upravljaju strojem.** Strojevi su opasni u rukama neobučениh korisnika.
- **Održavajte strojeve i pribor. Provjerite jesu li pokretni dijelovi centrirani ili spojeni, ima li polomljenih dijelova i postoji li stanje koje može utjecati na rad stroja.** Ako je stroj oštećen, popravite ga prije uporabe. Mnoge nezgode su nastale upravo zbog slabog održavanja stroja.
- **Rezne strojeve održavajte oštirim i čistima.** Propisno održavani rezni strojevi s oštirim reznim bridovima manje su skloni zaglavlivanju i njima se lakše upravlja.
- **Stroj, pribor, strojne nastavke i sl., upotrebljavajte u skladu s ovim uputama, uzimajući u obzir radne uvjete i zadatak koji je potrebno obaviti.** Upotreba stroja za radnje za koje nije namijenjen može rezultirati opasnim situacijama.

- **Rukohvate i površinu rukohvata održavajte suhim, čistim i očišćenim od ulja i masti.** Skliske ručke i površine rukohvata onemogućuju sigurno rukovanje i upravljanje strojem u neočekivanim situacijama.

KORIŠTENJE I NJEGA BATERIJSKOG STROJA

- **Punjenje obavljajte samo s punjačem kojeg je naveo proizvođač.** Punjač koji je prikladan za jedan tip baterijskog modula može izazvati rizik od požara ako ga se upotrebljava s drugim baterijskim modulom.
- **Strojeve upotrebljavajte samo s izričito propisanim baterijskim modulima.** Upotreba drugih baterijskih modula može izazvati rizik od ozljeda i požara.
- **Kad se baterijski modul ne upotrebljava, držite ga podalje od drugih metalnih predmeta poput spjalica za papir, kovanica, ključeva, čavala, vijaka ili drugih malih metalnih predmeta koji mogu međusobno spojiti kontakte.** Kratko spajanje baterijskih kontakata može prouzročiti opeklina ili požar.
- **U slučaju neprimjerene uporabe, baterija može izbaciti tekućinu; izbjegavajte kontakt. Ako slučajno dođe do doticaja, zahvaćena mjesta isperite vodom.** Ako tekućina dođe u doticaj s očima, dodatno potražite pomoć liječnika. Tekućina koju izbaci baterija može prouzročiti nadražaj kože ili opeklina.
- **Ne upotrebljavajte baterijski modul ili stroj koji je oštećen ili preinačen.** Oštećene ili preinačene baterije mogu pokazati nepredvidivo ponašanje koje može rezultirati požarom, eksplozijom ili opasnošću od ozljeda.
- **Baterijski modul ili stroj ne izlažite vatri ili visokim temperaturama.** Izlaganje vatri ili temperaturi višoj od 130 °C može prouzročiti eksploziju.
- **Pridržavajte se svih uputa za punjenje, a baterijski modul ili stroj nemojte puniti izvan raspona temperature navedenog u uputama.** Nepropisno punjenje ili punjenje pri temperaturama izvan okvira određenog raspona može oštetiti bateriju i povećati opasnost od požara.

SERVISIRANJE

- **Servisiranje stroja prepustite kvalificiranom osoblju za popravak koje koristi samo identične zamjenske dijelove.** Time će se osigurati održavanje sigurnosti stroja.
- **Ne servisirajte oštećene baterijske module.** Servisiranje baterijskog modula smiju obavljati samo proizvođač ili ovlašteni serviseri.

SIGURNOSNA UPOZORENJA ZA PROZRAČIVAČ

- **Ne upotrebljavajte stroj u lošim vremenskim**

uvjetima, posebno kada postoji opasnost od grmljavine. Time ćete smanjiti opasnost od udara groma.

- **Dobro pregledajte područje za divlje životinje na kojemu će se stroj upotrebljavati.** Stroj može ozlijediti divlje životinje tijekom rada.
- **Dobro pregledajte područje na kojemu ćete upotrebljavati stroj i uklonite sve kamenje, štapove, žice, kosti i druge strane predmete.** Odbačeni predmeti mogu prouzročiti tjelesnu ozljedu.
- **Prije upotrebe stroja, pregledajte da zupci i sklop zubaca nisu istrošeni ili oštećeni.** Oštećeni ili istrošeni dijelovi povećavaju opasnost od ozljede.
- **Držite štitnike na mjestu. Štitnici moraju biti u ispravnom stanju i pravilno montirani.** Štitnik koji je labav, oštećen ili ne radi ispravno može uzrokovati ozljede.
- **Svi ulazi zraka za hlađenje moraju biti očišćeni od nečistoća.** Blokirani otvori za zrak i krhotine mogu dovesti do pregrijavanja ili opasnosti od požara.
- **Dok upravljate strojem, nosite protukliznu i zaštitnu obuću. Nemojte rukovati strojem kada ste bos ili kada nosite otvorene sandale.** To smanjuje mogućnost ozljede stopala uslijed kontakta s pokretnim zupcima.
- **Nosite duge hlače dok upravljate strojem.** Nezaštićeni dijelovi kože povećavaju vjerojatnost ozljede odbačenim predmetima.
- **Ne koristite stroj na mokroj travi. Hodajte, nemojte trčati.** Time se smanjuje rizik od klizanja i padanja što može uzrokovati ozljede.
- **Ne upotrebljavajte stroj na prekomjerno strmim padinama.** Time se smanjuje rizik od gubitka kontrole, klizanja i pada što može rezultirati tjelesnim ozljedama.
- **Kada radite na padinama, uvijek budite sigurni u svoje uporište, uvijek radite poprečno na površine padina, nikada gore ili dolje i budite iznimno oprezni pri promjeni smjera.** Time se smanjuje rizik od gubitka kontrole, klizanja i pada što može rezultirati tjelesnim ozljedama.
- **Budite vrlo oprezni pri vožnji unatrag ili povlačenju stroja prema sebi. Uvijek budite svjesni svoje okoline.** Time se smanjuje rizik od spoticanja tijekom rada.
- **Stroj držite samo za izolirane površine za držanje jer zupci mogu dotaknuti skrivene kabele.** Ako zupci dotaknu kabel koji provodi struju, postoji opasnost da izloženi metalni dijelovi električnog alata isto provode struju što za rukovatelja može predstavljati opasnost od strujnog udara.

- **Ne dirajte zupce i druge opasne pokretne dijelove dok su u pokretu.** Time se smanjuje rizik od ozljeda pokretnim dijelovima.
- **Prilikom uklanjanja zaglavljenog materijala ili čišćenja stroja, provjerite jesu li sve sklopke isključene i je li baterija odvojena.** Neočekivani rad kosilice može uzrokovati teške tjelesne ozljede.

DODATNA UPOZORENJA

- Upotrebljavajte samo s EGO pogonskom glavom PH1400E/PH1420E/PHX1600.
NAPOMENA: Detaljna sigurnosna pravila i upute za upotrebu potražite u uputama za upotrebu EGO pogonske glave PH1400E/PH1420E/PHX1600.

SAČUVAJTE OVE UPUTE

TEHNIČKI PODACI

| | |
|---------------------------------------------------|------------------------------------------|
| Maksimalna radna širina | 355 mm |
| Brzina bez opterećenja (uz PH1420E) | Nisko: 2600 o/min |
| | Visoko: 3000 o/min |
| Podešavanje dubine | 3 položaja |
| Dubina prozračivanja | 0 / 10 mm / 20 mm |
| Preporučena radna temperatura | 0 °C – 40 °C |
| Preporučena temperatura skladištenja | -20 °C – 70 °C |
| Izmjerena razina zvučne snage L_{WA} | 88 dB(A) K=2 dB(A) (PH1400E) |
| | 88,49 dB(A) K=0,81 dB(A) (PH1420E) |
| | 90 dB(A) K=0,9 dB(A) (PHX1600) |
| Razina zvučnog tlaka kod uha rukovatelja L_{PA} | 82 dB(A) K=3 dB(A) (PH1400E) |
| | 79,8 dB(A) K=3 dB(A) (PH1420E) |
| | 82 dB(A) K=3 dB(A) (PHX1600) |

| | | |
|-----------------------------------------------------------------------------|--------------------------|--------------------------------------------|
| Zajamčena razina zvučne snage L_{wa} (izmjereno u skladu s 2000/14/EZ) | | 92 dB(A) |
| Procjena vibracija a_h | Prednji pomoćni rukohvat | 2,35 m/s^2 K=1,5 m/s^2 (PH1400E) |
| | | 2,36 m/s^2 K=1,5 m/s^2 (PH1420E) |
| | | 2,63 m/s^2 K=1,5 m/s^2 (PHX1600) |
| | Rear handle | 2,66 m/s^2 K=1,5 m/s^2 (PH1400E) |
| | | 2,24 m/s^2 K=1,5 m/s^2 (PH1420E) |
| | | 1,74 m/s^2 K=1,5 m/s^2 (PHX1600) |
| Težina (s cilindrom prozračivača) | | 7,4 kg |

- Gornji parametri ispitani su i izmjereni za stroj opremljen pogonskom glavom PH1400E/PH1420E/PHX1600.
- Deklarirane ukupne vrijednosti vibracija izmjerene su u skladu sa standardnom metodom ispitivanja i mogu se koristiti za usporedbu jednog alata s drugim.
- Deklarirane ukupne vrijednosti vibracija mogu se koristiti i u preliminarnoj procjeni izloženosti.

⚠ UPOZORENJE: Emisija vibracija tijekom stvarnog korištenja stroja može se razlikovati od deklarirane vrijednosti u kojoj se stroj koristio; Radi zaštite rukovatelja, korisnik mora nositi rukavice i štittnike za uši u stvarnim uvjetima korištenja.

⚠ UPOZORENJE: Potrebno je utvrditi sigurnosne mjere za zaštitu rukovatelja koje se temelje na procjeni izloženosti u stvarnim uvjetima uporabe (uzimajući u obzir sve dijelove radnog ciklusa, kao što su vremena kada je stroj isključen i kada radi u stanju mirovanja uz vrijeme pokretanja).

OPIS

UPOZNAJTE SVOJ PRIKLJUČAK PROZRAČIVANJE TRAVNJAKA (slika A)

1. Krajnja kapica (2)
2. Vratilo priključka

3. Donji poklopac
4. Kotač
5. Sklop gornjeg poklopca
6. Ručica za podešavanje dubine
7. Štitnik deflektora
8. Šipka strugača
9. Imbus ključ od 4 mm
10. Imbus ključ od 5 mm
11. Zubac grablja
12. Cilindar prozračivača

SASTAVLJANJE

⚠ UPOZORENJE: Ako je bilo koji dio oštećen ili ako nedostaje, nemojte upotrebljavati ovaj proizvod dok se ne zamijene dijelovi. Upotreba ovog proizvoda oštećenih dijelova ili dijelova koji nedostaju može rezultirati teškim tjelesnim ozljedama.

⚠ UPOZORENJE: Ne pokušavajte obavljati preinake na ovom proizvodu ili raditi dodatnu opremu koja nije preporučena za uporabu s ovim proizvodom. Sve takve izmjene ili preinake predstavljaju nepropisnu uporabu i mogu rezultirati opasnim stanjima koja mogu dovesti do mogućih teških tjelesnih ozljeda.

SPAJANJE VRATILA PRIKLJUČKA NA SKLOP PROZRAČIVAČA (slika B)

| | | | |
|-----|--------------------|-----|----------------|
| B-1 | Vijak M5 | B-4 | Rupa |
| B-2 | Vijak | B-5 | Rupa za vijak |
| B-3 | Vratilo priključka | B-6 | Donji poklopac |

1. Postavite sklop prozračivača naopako na stabilnu ravnu površinu.
2. Uklonite krajnju kapicu s vratila priključka.
3. S otvorom na vratilu priključka okrenutim prema gore, umetnite vratilo priključka u donji poklopac priključka koliko je moguće. Poravnajte otvor za vijak na donjem poklopcu s otvorom na vratilu priključka.
4. Pomoću priloženog imbus ključa od 4 mm pričvrstite donji poklopac na vratilo priključka vijkom M5.
5. Pomoću imbus ključa čvrsto zategnite dva unaprijed ugrađena vijka na donji poklopac.

⚠ UPOZORENJE: Provjerite prije korištenja opreme jesu li tri vijka do kraja stegnuta; povremeno provjeravajte zategnutost tijekom upotrebe kako biste izbjegli teške tjelesne ozljede.

PRIKLJUČIVANJE PRIKLJUČKA ZA PROZRAČIVANJE TRAVNJAKA NA POGONSKU GLAVU

Ovaj priključak za prozračivanje predviđen je za korištenje s EGO pogonskom glavom PH1400E/PH1420E/PHX1600.

Pogledajte odjeljak „POSTAVLJANJE PRIKLJUČKA NA POGONSKU GLAVU” u korisničkom priručniku pogonske glave PH1400E/PH1420E/PHX1600 .

RAD

⚠ UPOZORENJE: Nemojte biti nepažljivi zato što ste upoznati s načinom rada proizvoda. Zapamtite da je samo jedan djelić sekunde nepažnje dovoljan za nastanak tjelesne ozljede.

⚠ UPOZORENJE: Nosite zaštitu za oči. Nepostupanje u skladu s tim može rezultirati odbacivanjem predmeta u oči i drugim mogućim teškim ozljedama.

⚠ UPOZORENJE: Da ne bi došlo do teške tjelesne ozljede, prije servisiranja, čišćenja, promjene priključaka ili uklanjanja materijala iz uređaja izvadite baterijski modul iz proizvoda.

⚠ UPOZORENJE: Nemojte upotrebljavati priključke ili pribor koje nije preporučio proizvođač ovog proizvoda. Upotreba priključka ili pribora koji nije preporučen, može dovesti do ozbiljnih tjelesnih ozljeda.

PRIMJENE

Uklonite stare, osušene podrezane dijelove, mahovinu, travu ili ostatke korijena s travnjaka.

POKRETANJE/ZAUSTAVLJANJE PROZRAČIVAČA

Prije upotrebe prozračivača

⚠ UPOZORENJE: Kako biste izbjegli ozbiljne tjelesne ozljede, u svakom trenutku tijekom rada s ovim uređajem nosite zaštitne naočale ili sigurnosne naočale. U prašnjavim područjima nosite zaštitnu masku za lice ili masku za zaštitu od prašine. Za vrijeme rada nosite odgovarajuću odjeću i obuću kako biste smanjili rizik od ozljeda koje mogu biti uzrokovane letećim krhotinama.

- Prije upotrebe temeljito pregledajte proizvod u pogledu oštećenja. Nemojte upotrebljavati alat ako je oštećen ili istrošen.
- Pazite da na travnjaku nema kamenja, štapića, žica ili drugih predmeta koji bi mogli oštetiti proizvod.
- Pokosite travnjak prije rada i nakon toga ga pognojite.

Savjeti za rad

Da bi se razvio zdrav travnjak u proljeće, veće količine zraka trebaju prodrijeti u područje oko korijena trave. Preporučujemo uklanjanje travnjaka najmanje dva puta godišnje, tijekom proljeća ili jeseni, ovisno o stanju travnjaka.

- Ne kosite kosine pod nagibom većim 15 stupnjeva. Na kosinama uvijek kosite poprečno; nikada u smjeru gore-dolje. S velikim oprezom mijenjajte smjer na nizbrdicama.
- Nemojte raditi s ovim proizvodom na mokrom travnjaku jer se mokra trava obično ljepi za trup i zupce, što također može uzrokovati klizanje i pad.
- Držite stroj objema rukama. Ručke moraju biti suhe kako biste imali sigurnu potporu.
- Polako gurajte uređaj prema naprijed. Pomičite proizvod odgovarajućom brzinom. Nemojte ga pomicati prebrzo kako biste spriječili da se zupci zaglave i uzrokuju preopterećenje motora.
- Odmah isključite proizvod ako druge osobe uđu u radno područje. Obavezno pričekajte dok se uređaj potpuno zaustavi prije nego ga odložite.
- Nemojte pretjerati s radom. Uzimajte redovite stanke kako biste bili sigurni da se možete koncentrirati na posao i imati potpuni nadzor nad strojem.
- Radite u malim preklapajućim redovima. Najučinkovitiji uzorak su ravne linije duž jedne strane (slika C). To će redove održati ravnomjernim i osigurati da se sav travnjak prozrači bez propuštanja mjesta.
- Obratite posebnu pozornost prilikom promjene smjera.
- Zauzmite stabilan položaj. Sklizanje i pad mogu nanijeti teške tjelesne ozljede. Ako osjećate da gubite ravnotežu, odmah isključite motor.
- Ne radite u blizini padina, rovova i nasipa; mogli biste izgubiti stabilnost ili ravnotežu.

Pokretanje/zaustavljanje priključka za prozračivanje travnjaka

Pogledajte odjeljak „POKRETANJE/ZAUSTAVLJANJE POGONSKJE GLAVE” u korisničkom priručniku za PH1400E/PH1420E /PHX1600.

⚠ UPOZORENJE: Zaustavite stroj ako ga je potrebno nagnuti zbog transporta, kada prelazite preko površina koje nisu travnate i prilikom prenošenja stroja na mjesto korištenja ili s njega.

⚠ UPOZORENJE: Nemojte nagnjati stroj kada uključujete motor, osim ako stroj mora biti nagnut prilikom pokretanja. U tom slučaju nemojte ga nagnjati preko potrebne mjere i podignite samo dio koji je udaljen od rukovatelja.

Provjerite jesu li zupci začepljeni

- Da biste spriječili začepljenje, očistite donju stranu stroja prije i nakon svake upotrebe kako biste uklonili nakupljene ostatke.
- Kada dođe do začepljenja, zaustavite stroj i izvadite baterijski modul, a zatim uklonite sve naslage trave i lišća na ili oko zubaca i trupa. Kosilicu obrišite vlažnom krpom.

PODEŠAVANJE DUBINE (slika D)

⚠ UPOZORENJE: Odmaknite stopala od trupa za vrijeme podešavanja dubine.

Dubina prozračivanja može se postaviti na 3 položaja:

- 1 i 2: radni položaj
- 3: položaj za transport

Prilagodite dubinu prema potrebama vašeg travnjaka.

1. Isključite stroj i pričekajte da se potpuno zaustavi.
2. Uklonite baterijski modul.
3. Izvucite ručicu za podešavanje dubine iz zapora i postavite je u željeni položaj.

| | | | |
|-----|------------------------------|-----|----------------|
| D-1 | Ručica za podešavanje dubine | D-2 | Položaj dubine |
|-----|------------------------------|-----|----------------|

ODRŽAVANJE

⚠ UPOZORENJE: Prije pregleda, čišćenja ili servisiranja stroja, zaustavite rad motora, pričekajte da se svi pokretni dijelovi zaustave i izvadite baterijski modul. Nepoštivanje ovih uputa može rezultirati ozbiljnim tjelesnim ozljedama ili oštećenjem imovine.

⚠ UPOZORENJE: Nosite zaštitu za oči s bočnim štitnicima. Nepostupanje u skladu s tim može rezultirati odbacivanjem predmeta u oči i drugim mogućim teškim ozljedama.

⚠ UPOZORENJE: Pri servisiranju koristite samo identične zamjenske dijelove. Upotreba drugih dijelova može izazvati opasnost ili prouzročiti oštećenje proizvoda. Radi sigurnosti i pouzdanosti, sve popravke koji nisu navedeni u ovim uputama za održavanje treba obavljati kvalificirani servisni tehničar.

⚠ UPOZORENJE: Nakon udarca u strani predmet zaustavite stroj i uklonite baterijski modul kako biste se uvjerali da su se svi pokretni dijelovi zaustavili. Zatim pregledajte ima li na stroju znakova oštećenja i obavite popravke prije ponovnog pokretanja i rukovanja strojem.

⚠ UPOZORENJE: Ako stroj počne neobičajeno vibrirati, zaustavite stroj i izvadite baterijski modul kako biste bili sigurni da su se svi pokretni dijelovi potpuno zaustavili. Zatim odmah provjerite ima li oštećenja, zamijenite ili popravite oštećene dijelove te provjerite ima li i zategnute labave dijelove.

⚠ UPOZORENJE: Budite oprezni prilikom podešavanja proizvoda kako ne bi došlo do zahvaćanja prstiju između pokretnih i fiksni dijelova proizvoda.

ČIŠĆENJE

⚠ UPOZORENJE: Kada čistite priključak za prozračivanje travnjaka, NEMOJTE ga uranjati u vodu ili druge tekućine.

Pri čišćenju plastičnih dijelova izbjegavajte upotrebu otapala. Većina plastičnih materijala podložna je oštećenju od različitih vrsta komercijalnih otapala i mogu se oštetiti u slučaju njihove upotrebe. Za uklanjanje nečistoće, prašine, ulja, masti i sl. koristite čiste krpe.

PODMAZIVANJE

Svi ležajevi u ovom proizvodu podmazuju se dostatnom količinom maziva visoke kvalitete za koje osigurava predviđen vijek trajanja jedinice u normalnim radnim uvjetima. Stoga nije potrebno dodatno podmazivanje ležajeva.

ZAMJENA CILINDRA

⚠ UPOZORENJE: Prije obavljanja bilo kakvog održavanja, uvijek izvadite baterijski modul iz stroja i pričekajte da se cilindar potpuno zaustavi. Nosite zaštitne rukavice kada rukujete zupcima.

Uklanjanje cilindra

1. Prije skladištenja iz pogonske jedinice izvadite komplet baterija.
2. Postavite priključak naopako na stabilnu i ravnu površinu.
3. Isporučenim imbus ključem od 5 mm otpustite i uklonite dva vijka za zaključavanje u dosjedu ležaja cilindra prozračivača (slika E1).
4. Gurnite cilindar prozračivača ulijevo dok se osovina na desnom kraju ne izvuče iz glavčine spojnice stroja (slika E2).
5. Uklonite cilindar prozračivača iz stroja (Slika E3).

| | | | |
|------|-----------------|------|-----------------------|
| E1-1 | Dosjed ležaja | E1-2 | Cilindar prozračivača |
| E2-1 | Osovina vretena | E2-2 | Glavčina vretena |

Postavljanje novog cilindra

1. Postavite dosjed ležaja novog cilindra na postolje stroja i gurnite cilindar ulijevo koliko je moguće (slika F1).
2. Poravnajte i umetnite osovinu uzubljenja s desne strane cilindra u uzubljenje glavčine stroja (slika F2).
3. Poravnajte dva otvora na dosjedu ležaja s otvorima na postolju, pričvrstite dosjed ležišta na postoljce vijcima za zaključavanje (slika F3).

ZAMJENA ZUBACA NA GRABLJAMA

Pri normalnoj upotrebi, zupci grablja mogu se s vremenom istrošiti ili slomiti. Kada podešavanje dubine zupca više ne daje odgovarajući stupanj prozračivanja ili ako se zubac slomi, slijedite upute u nastavku da biste zamijenili zupce.

Uklanjanje zubaca

1. Prije skladištenja iz pogonske jedinice izvadite komplet baterija.
2. Postavite priključak naopako na stabilnu i ravnu površinu.
3. Gurnite dva zatika zupca grablja u utor 1 na cilindru i izvucite zubac grablja iz cilindra prozračivača kao što je prikazano na slici G.

| | | | |
|-----|-------|-----|--------|
| G-1 | Zatik | G-2 | Utor 1 |
|-----|-------|-----|--------|

Ugradnja zubaca grablja (slika H)

1. Umetnite zatik zupca grablja u utor 1 na cilindru (korak 1).
2. Umetnite dosjed zupca grablja u utor 2 na cilindru (korak 2).
3. Uvedite dva zatika zupca u utor 1, gurnite naprijed u položaj na utoru 3 i dva će se zatika automatski vratiti na svoje mjesto (korak 3 i 4).

| | | | |
|-----|--------|-----|--------|
| H-1 | Zatik | H-2 | Utor 1 |
| H-3 | Utor 2 | H-4 | Utor 3 |

TRANSPORT I SKLADIŠTENJE

- Prije skladištenja iz pogonske jedinice izvadite komplet baterija.
- Obavezno pričekajte da se stroj ohladi prije skladištenja.
- Prije skladištenja dobro očistite uređaj.
- Uređaj skladištite na suhom, dobro prozračenom mjestu koje je moguće zaključati ili koje je na visini izvan dohvata djece. Uređaj nemojte skladištiti u blizini gnojiva, benzina ili drugih kemijskih tvari ili u njihovoj blizini.

ZAŠTITA OKOLIŠA



Električnu opremu, iskorištenu bateriju i punjač ne odlažite u otpad iz kućanstva! Ovaj proizvod odnesite u ovlašteni centar za reciklažu i time omogućite odvojeno sakupljanje. Električne strojeve potrebno je vratiti u ekološki prihvatljiv pogon za reciklažu.

RJEŠAVANJE PROBLEMA

| PROBLEM | UZROK | RJEŠENJE |
|------------------------------------------------------------|-------------------------------------------------------------------------------------------------------------------------------------------------------------------------------------------------------------------------------------------|------------------------------------------------------------------------------------------------------------------------------------------------------------------------------------------------------------------------------------------------------------------------------------------|
| Motor se ne pokreće | <ul style="list-style-type: none"> ■ Baterijski modul je ispražnjen. ■ Gumb za deblokadu ili sklopka okidača nisu pravilno korišteni. ■ Baterijski modul nije pravilno umetnut u priključak za bateriju. | <ul style="list-style-type: none"> ■ Napunite baterijski modul. ■ Pratite upute u odjeljku „POKRETANJE/ZAUSTAVLJANJE POGONSKE GLAVE“ u priručniku pogonske glave. ■ Provjerite je li baterijski modul do kraja umetnut u priključak za bateriju. |
| Stroj proizvodi neobičajene zvukove. | <ul style="list-style-type: none"> ■ Ostaci ili strani predmeti koji ometaju rad zubaca stroja. | <ul style="list-style-type: none"> ■ Zaustavite motor, izvadite bateriju i uklonite ostatke ili strane predmete koji sprječavaju pravilno funkcioniranje stroja. |
| Stroj ne radi ispravno ili rezultati nisu zadovoljavajući. | <ul style="list-style-type: none"> ■ Trava je previsoka. | <ul style="list-style-type: none"> ■ Pokosite travnjak prije prozračivanja. |
| | <ul style="list-style-type: none"> ■ Mokri ostaci zalijepljeni su za podnožje trupa. | <ul style="list-style-type: none"> ■ Pričekajte da se trava osuši, zatim nastavite s prozračivanjem. |
| | <ul style="list-style-type: none"> ■ Dubina je postavljena na pogrešku postavku. | <ul style="list-style-type: none"> ■ Podesite dubinu zubaca kako biste postigli željeni rezultat. |
| | <ul style="list-style-type: none"> ■ Zupci su istrošeni ili oštećeni. | <ul style="list-style-type: none"> ■ Zamijenite zupce po potrebi. |

JAMSTVO

PRAVILA U VEZI JAMSTVA TVRTKE EGO

Cjelokupne uvjete i odredbe pravila jamstva tvrtke EGO potražite na web-mjestu egopowerplus.eu.

სრულად გაეცანით ინსტრუქციას!



გაეცანით მომხმარებლის სახელმძღვანელოს

გამაფრთხილებელი ნიშნები

უსაფრთხოების სიმბოლოების დანიშნულებას წარმოადგენს თქვენი ყურადღების მიპყრობა შესაძლო საფრთხეებზე. ყურადღებით გაეცანით უსაფრთხოების სიმბოლოებს და მათ შესაბამის განმარტებებს. საშიშროების აღმნიშვნელი სიმბოლოები თავისთავად არ ანიჭებენ რაიმე საფრთხის არსებობის რისკს. მათ მიერ მოწოდებული მითითებები და გაფრთხილებები არ არიან შემთხვევის თავიდან აცილების სწორი პროცედურის შემცველები.

▲ გაფრთხილება: მანქანის გამოყენებამდე წაიკითხეთ და გაეცანით ყველა უსაფრთხოების წესს, რომელიც მოცემულია მომხმარებლის ამ სახელმძღვანელოში, მათ შორის, ყველა უსაფრთხოების სიგნალის სიმბოლოს, როგორცაა „საშიშროება“, „გაფრთხილება“ და „ყურადღება“. ქვემოთ ჩამოთვლილი მითითებების შეუსრულებლობამ შეიძლება გამოიწვიოს დენის დარტყმა, ხანძარი და/ან სხეულის სერიოზული დაზიანება.

სიმბოლოების მნიშვნელობა

▲ უსაფრთხოების გამაფრთხილებელი სიმბოლო: აღნიშნავს საშიშროებას, გაფრთხილებას ან ყურადღებას. შესაძლოა გამოყენებულ იქნას სხვა სიმბოლოებთან ან პიკტოგრამებთან ერთად.



▲ გაფრთხილება: ნებისმიერი მოწყობილობის მუშაობამ შეიძლება განაპირობოს უცხო სხეულის თვალში მოხვედრა, რამაც

შესაძლოა გამოიწვიოს თვალის მნიშვნელოვანი დაზიანება. მოწყობილობის მუშაობის დაწყებამდე, აუცილებლად მოირგეთ უსაფრთხოების თვალსაფარი ან სათვალე სახის გვერდითა ნაწილების და მთლიანი სახის დამცავი ფარით, საჭიროების შემთხვევაში. ჩვენ რეკომენდაციას ვუწვევთ ფართო ხედვის უსაფრთხოების ნიღაბს სათვალეებთან ერთად ან სტანდარტულ გვერდითა დაცვის მქონე უსაფრთხოების სათვალეებთან ერთად გამოსაყენებლად.

უსაფრთხოების წესები

აღნიშნულ გვერდზე მოცემული და განმარტებულია ის უსაფრთხოების სიმბოლოები, რომლებიც დატანილია ამ პროდუქტზე. გაეცანით და მიყევით მოწყობილობის ინსტრუქციას მის აწყობამდე და ჩართვამდე.

| | | |
|--|----------------------------------------------------------|-----------------------------------------------------------------------------------------------------------------------------------------------------------------|
| | <p>გამაფრთხილებელი ნიშანი</p> | <p>აღნიშნავს შესაძლო პირადი ზიანის საფრთხეს.</p> |
| | <p>წაიკითხეთ და გაეცანით ოპერატორის სახელმძღვანელოს.</p> | <p>დაზიანების რისკის შესამცირებლად მომხმარებელმა უნდა წაიკითხოს და გაეცნოს ხელსაწყოს მუშაობის ინსტრუქციას მის გამოყენებამდე.</p> |
| | <p>გაიკეთეთ თვალის დამცავი</p> | <p>ყოველთვის მოირგეთ უსაფრთხოების თვალსაფარი ან გვერდითა დამცავი ეკრანების მქონე უსაფრთხოების სათვალე და მთლიანი სახის დამცავი ამ ხელსაწყოთი სარგებლობისას.</p> |

KA

| | | |
|--|----------------------------------------------------------------------------|--------------------------------------------------------------------------------------------------------------------------------------|
| | გაფრთხილება - მოერიდეთ გამოტყორცნილ საგნებს - მოამორეთ ახლოს მდგომი პირები | აფრთხილებს მომხმარებელს გამოტყორცნილი საგნების შესახებ - მოამორეთ ახლოს მდგომი პირები. |
| | საფრთხე - მთავრად ხელები და ფეხები მჭრელ ნაწილებს | აფრთხილებს მომხმარებელს, რომ მთავრად ხელები და ფეხები მჭრელ ნაწილებს. |
| | გაფრთხილება - მთავრად ხელები და ფეხები მჭრელ კბილანებს | აფრთხილებს მომხმარებელს, რომ მთავრად ხელები და ფეხები კბილანებს. |
| | CE | მოწყობილობა შეესაბამება ec-ის მოქმედ რეგულაციებს. |
| | UKCA | აღნიშნული პროდუქტი აკმაყოფილებს გაერთიანებული სამეფოს კანონმდებლობით დადგენილ მოთხოვნებს. |
| | WEEE | ელექტრო ხელსაწყო ნარჩენები არ გადაყაროთ საყოფაცხოვრებო ნარჩენებთან ერთად. წაიღეთ ხელსაწყო ავტორიზებულ ნარჩენების გადამამუშავებელთან. |

| | | |
|-------------------|--------------------------------------------|------------------------------------------------------------------------------------------------------------|
| | ხმაური | გარანტირებული ხმის სიმძლავრის დონე. გარემოში ხმაურის გავრცელების დონე ევროკავშირის დირექტივის შესატყვისია. |
| v | ვოლტი | ძაბვა |
| | მუდმივი დენი | დენის ტიპი ან სახე |
| მმ | მილიმეტრი | სიგრძე ან ზომა |
| კგ | კილოგრამი | წონა |
| წთ | წუთი | დრო |
| n ₀ | დაუტვირთავი სიჩქარე | დაუტვირთავი ბრუნვის სიჩქარე |
| Min ⁻¹ | წრიული როტაცია ან საპასუხო მოქმედება წუთში | ბრუნე, დარტყმა, ზედაპირის სიჩქარე, ორბიტა და ა.შ. წუთში |
| RPM | ბრუნე წუთში | ბრუნვის სიჩქარე |
| °C | გრადუსი ცელსიუსი | ტემპერატურა |

⚠ გაფრთხილება: უსაფრთხოებისა და სამედიცინო უზრუნველსაყოფად, ყველა რემონტი უნდა ჩატარდეს ტექნიკური მომსახურების კვალიფიციური სპეციალისტის მიერ.

აკუმულატორზე მომუშავე ხელსაწყო უსაფრთხოების ზოგადი გაფრთხილებები

KA

▲ გაფრთხილება: გაეცანით ამ მოწყობილობასთან დაკავშირებულ უსაფრთხოების ყველა მითითებას, ინსტრუქციას, ილუსტრაციას და სპეციფიკაციას. ქვემოთ ჩამოთვლილი ყველა ინსტრუქციის უგულვებელყოფამ შესაძლოა გამოიწვიოს ელექტრო შოკი, ხანძარი და/ან მოგაყენოთ სერიოზული ზიანი.

შეინახეთ ყველა გაფრთხილება და ინსტრუქცია სამომავლოდ გამოყენებისთვის.

ტერმინი „მოწყობილობა“ უსაფრთხოების ინსტრუქციაში შეესაბამება ქსელიდან (სადენით) ან აკუმულატორით (უსადენო) მიღებულ დენზე მომუშავე მოწყობილობას.

სამუშაო სივრცის უსაფრთხოება

- დაიცავით სამუშაო სივრცის სისუფთავე და იქონიეთ კარგი განათება. ჩახერგილი ან ბნელი სამუშაო სივრცე იწვევს ინციდენტებს.
- არ ამუშაოთ მოწყობილობა ფეთქებად საშიშ ატმოსფეროში, როგორცაა აალებადი სითხეები, ბენზინი ან მტვერი. მოწყობილობა წარმოქმნის ნაპერწკალს, რომელმაც შესაძლოა აანთოს მტვერი ან აირი.
- ელექტრო ხელსაწყოთი სარგებლობისას მთავრად მას ზავშეები და სხვა პირები. ყურადღების გაფანტვას შეუძლია გამოიწვიოს მოწყობილობაზე კონტროლის დაკარგვა.

ელექტრო უსაფრთხოება

- მოწყობილობის დენის ჩანგალი უნდა ერგებოდეს შტეფსელის როზეტს. არასოდეს გაუკეთოთ მოწყობილობის დენის ჩანგალს მოდიფიცირება. არ გამოიყენოთ ადაპტორები ისეთი ხელსაწყოების დენის ჩანგალზე, რომელსაც აქვს დამიწება. არსებული დენის ჩანგალი და მისი შესაბამისი შტეფსელის არსებობა ამცირებს ელექტრული შოკის რისკს.
- მოერიდეთ სხეულით დამიწებულ საგნების ზედაპირებთან კონტაქტს, როგორცაა მიწები, რადიატორები,

ქურები და მაცივრები. ელექტრული შოკის მიღების რისკი იზრდება, თუ თქვენი სხეული დამიწებულია.

- არ გამოიყენოთ ხელსაწყო წვიმაში ან სველ პირობებში. ამან შეიძლება გაზარდოს დენის დარტყმის რისკი.
- არ დააზიანოთ დენის სადენი. არასოდეს გამოიყენოთ სადენი ხელსაწყოთი სატარებლად, მოსაქაჩად ან შტეფსელიდან ამოსართველად. დაიცავით დენის სადენი სიმბურვალისგან, ზეთისგან, მჭრელი და მომრავი საგნებისგან. დაზიანებული ან გადახლართული დენის სადენი ზრდის ელექტრო შოკის რისკს.
- მოწყობილობის გარეთ სარგებლობისთვის გამოიყენეთ დამაგრებელი, რომელიც ვარგისია გარეთ მუშაობისთვის. გარეთ მუშაობისთვის შესაბამისი ელექტრო სადენის გამოყენება ამცირებს ელექტრული შოკის რისკს.
- თუ მოწყობილობის ნესტიან გარემოში მუშაობა გარდაუვალია, გამოიყენეთ დამიწებაზე დამოკლებისას წრედის ამორთვის დაცვის მქონე (GFCI) კვების წყარო. GFCI-ის გამოყენება ამცირებს ელექტრული შოკის რისკს.

პირადი უსაფრთხოება

- მოწყობილობის გამოყენებისას იყავით ფხიზლად, იმოქმედეთ დაკვირვებით და საღი აზრის გათვალისწინებით. არ გამოიყენოთ მოწყობილობა, როდესაც ხართ დაღლილი, ან ალკოჰოლის, მედიკამენტების ან ნარკოტიკების ზემოქმედების ქვეშ. მოწყობილობით სარგებლობისას მყისიერმა უყურადღებობამ შეიძლება მოგაყენოთ სერიოზული პირადი ზიანი.
- გამოიყენეთ პერსონალური დამცავი აღჭურვილობა. ყოველთვის გაიკეთეთ თვალების დამცავი. შესაბამისი სამუშაო პირობებში დამცავი საშუალებების გამოყენება, როგორცაა მტვრის საწინააღმდეგო ნიღაბი, მოცურების საწინააღმდეგო ფეხსაცმელი, მყარი

KA

ჩაფხუტი ან სმენის დამცავი, ამცირებს სამუშაო ტრავმებს.

- **მოწყობილობის დაუგეგმავი ჩართვის აღკვეთა. დარწმუნდით, რომ ჩამრთველი არის გამორთულ მდგომარეობაში მოწყობილობის დენში და/ან აკუმულატორთან შეერთებამდე, ხელსაწყოს მაღლა აწევამდე ან ტარებამდე.** მოწყობილობის ტარება ჩამრთველის ღილაკზე დადებული ჩითით, რომელსაც გააქტიურებული აქვს ჩართვის ღილაკი, განაპირობებს უბედურ შემთხვევას.
- **მოხსენით ნებისმიერი მიმაგრებული ატრიბუტი ან ქანჩის გასაღები მოწყობილობის ჩართვამდე.** მოწყობილობის მბრუნავ ნაწილზე დამაგრებულმა ქანჩის გასაღებმა ან სხვა ატრიბუტმა შესაძლოა მოგაყენოთ სხეულის დაზიანება.
- **ზედმეტად არ გადაიხაროთ. ყოველთვის დაიცავით ბალანსი და მყარად იდექით ფეხზე.** ეს გამოეყენება საშუალებას, მოახდინოთ მოწყობილობის უკეთესი კონტროლი მოულოდნელ სიტუაციებში.
- **ჩაიცვით შესაბამისად. არ ჩაიცვათ განიერი, ფრიალა ტანსაცმელი და არ გაიკეთოთ ძვირფასეულობა. მორიდეთ თმა და ტანსაცმელი მოძრავ ნაწილებს.** თავისუფალი ტანსაცმელი, სამკაულები ან გრძელი თმა შესაძლოა ჩაითრიოს მოძრავმა ნაწილებმა.
- **თუ არსებობს მტვრის ან ნარჩენების შემაკავშირებელი მოწყობილობები და შემგროვებელი საშუალებები, დარწმუნდით, რომ ისინი სწორადაა შეერთებული და გამოყენებული.** მტვრისთვის შეგროვებისთვის განკუთვნილი საშუალებების გამოყენებამ შესაძლოა შეამციროს მასთან დაკავშირებული საფრთხეები.
- **მსგავს მოწყობილობებთან ხშირი მუშაობის დროს არ გათამამდეთ და არ უგულვებელყოთ ხელსაწყოს უსაფრთხოების პრინციპების დაცვა.** გაუფრთხილებელმა საქციელმა წამის

მეათედში კი შესაძლოა მოგიტანოთ სერიოზული ზიანი.

მოწყობილობის გამოყენება და მოვლა

- **არ დაატანოთ ძალა მოწყობილობას.** გამოიყენეთ მართებული მოწყობილობა თქვენი მიზნებისთვის. მართებული მოწყობილობა უკეთ და უფრო უსაფრთხოდ გააკეთებს იმ საქმეს, რომლისთვისაც განკუთვნილია.
- **არ გამოიყენოთ მოწყობილობა, თუ მისი ჩართვა და გამორთვა ჩამრთველით არ ხდება.** მოწყობილობა, რომელიც ვერ კონტროლდება ჩამრთველით, სახიფათოა და საჭიროებს შეკეთებას.
- **გათიშეთ დენის ჩანგალი შტეფსელიდან და/ან მოხსენით აკუმულატორის ბლოკი მოწყობილობას, თუ ეს შესაძლებელია, ნებისმიერ რეგულირებისას, ნაწილის ცვლილებისას ან ხელსაწყოს შენახვამდე.** მსგავსი პრევენციული უსაფრთხოების ზომები ამცირებს მოწყობილობის უცაბედი ჩართვის რისკს.
- **გამორთული მოწყობილობები შეინახეთ ბაგეშეხებისთვის მიუწვდომელ ადგილას და არ მისცეთ მოწყობილობის გამოყენების უფლება მისი სარგებლობის არმცოდნე ან მის ინსტრუქციაში ჩაუხედავ პირებს.** მოწყობილობა გამოუცდელი პირების ხელში სახიფათოა.
- **გაუფრთხილდით მოწყობილობებს და მის ნაწილებს. შეამოწმეთ მოძრავი და შემაკავშირებელი ნაწილების ურთიერთწანაცვლება, ნაწილების დაზიანება და სხვა მდგომარეობა, რომელმაც შეიძლება გავლენა იქონიოს მოწყობილობის მუშაობაზე.** დაზიანების შემთხვევაში, გამოყენებამდე შეაკეთეთ მოწყობილობა. ბევრი ინციდენტი გამოწვეულია ცუდად მოვლილი მოწყობილობის გამო.
- **სათიბი მოწყობილობები იქონიეთ მოვლილ და სუფთა მდგომარეობაში.** სათანადოდ მოვლილი სათიბი მოწყობილობები ბასრი პირით ნაკლებად პრობლემურია და მათი კონტროლიც უფრო ადვილია.

KA

- გამოიყენეთ ეს მოწყობილობა, მისი ნაწილები, დამჭერები და ა.შ. ინსტრუქციების შესაბამისად, სამუშაო გარემოს და შესასრულებელი სამუშაოს ტიპის გათვალისწინებით. მოწყობილობის არადანიშნულებისამებრ გამოყენებამ შესაძლოა შექმნას სახიფათო სიტუაცია.
- სახელურები და ხელის ჩასაჭიდი სხვა ზედაპირები იქონიეთ მშრალ და სუფთა მდგომარეობაში, მათ შორის, ცხიმისა და ზეთის გარეშე. სრიალა სახელურები და ხელის ჩასაჭიდი ზედაპირები არ იძლევა მოწყობილობის უსაფრთხოდ გამოყენების და კონტროლის საშუალებას მოულოდნელ სიტუაციებში.

აკუმულატორის გამოყენება და მოვლა

- დატენეთ მხოლოდ მწარმოებლის მიერ მითითებული დამტენი მოწყობილობით. დამტენმა მოწყობილობამ, რომელიც თავსებადია ერთი ტიპის აკუმულატორის ბლოკთან, შესაძლოა წარმოშვას ხანძრის გაჩენის რისკი სხვა აკუმულატორზე გამოყენებისას.
- გამოიყენეთ მოწყობილობა მხოლოდ სპეციალურად მისთვის განკუთვნილი აკუმულატორის ბლოკებით. სხვა აკუმულატორის ბლოკების გამოყენებამ შესაძლოა წარმოშვას ფიზიკური დაზიანების ან ხანძრის რისკი.
- როდესაც აკუმულატორის ბლოკს არ იყენებთ, მოაცილეთ იგი ლითონის საგნებს, როგორცაა ქაღალდის სამაგრები, მონეტა, გასაღები, ლურსმანი, ხრახნი ან სხვა მცირე ზომის ლითონის საგნები, რომელთაც შეუძლიათ მოახდინონ შეერთება ერთი ტერმინალიდან მეორეში. აკუმულატორის კლემების ზედდებამ შეიძლება გამოიწვიოს დამწვრობები ან ხანძარი.
- არასწორი მოპყრობის შემთხვევაში, აკუმულატორიდან შეიძლება სითხემ გამოჟონოს; მოერიდეთ მასთან შეხებას. შემთხვევითი კონტაქტისას, შეხების არეალი წყლით ჩამოიხანეთ. სითხის

თვალებთან კონტაქტის შემთხვევაში, მიმართეთ ექიმს. აკუმულატორიდან გამოჟონილმა სითხემ შესაძლოა გამოიწვიოს გაღიზიანება ან დამწვრობა.

- არ გამოიყენოთ აკუმულატორის ბლოკი ან ხელსაწყო, რომელიც დაზიანებული ან გადაკეთებულია. დაზიანებულმა ან გადაკეთებულმა აკუმულატორმა შესაძლოა განაპირობოს გაუთვალისწინებელი ქმედება, რამაც შეიძლება გამოიწვიოს ხანძარი, აფეთქება ან დაზიანების რისკი.
- არ მოათავსოთ აკუმულატორის ბლოკი ან ხელსაწყო ცეცხლთან ან მაღალ ტემპერატურაზე. 130 °C-ზე მაღალი ტემპერატურის ზემოქმედებამ შესაძლოა აფეთქება გამოიწვიოს.
- მიყევით დატენის ინსტრუქციებს და არ დატენოთ აკუმულატორის ბლოკი ინსტრუქციაში მითითებული ტემპერატურის დიაპაზონის გარეთ. აკუმულატორის არასწორი ან ინსტრუქციაში მითითებული ტემპერატურის ფარგლებს მიღმა დამუხტვამ შეიძლება დააზიანოს აკუმულატორი და გაზარდოს ხანძრის რისკი.

ტექნომსახურება

- მოწყობილობის ტექნომსახურება შესრულებინეთ კვალიფიციურ პირს მხოლოდ იდენტიური სათადარიგო ნაწილების გამოყენებით. მსგავსი პროცედურა უზრუნველყოფს მოწყობილობის უსაფრთხოდ მუშაობას.
- არასოდეს შეაკეთოთ დაზიანებული აკუმულატორის ბლოკები. აკუმულატორების შეკეთება უნდა უზრუნველყოს მხოლოდ მწარმოებლმა ან ავტორიზებულმა სერვის პროვაიდერებმა.

ხმელი ბალახის საკრეჭის უსაფრთხოების გაფრთხილებები

- მოერიდეთ მოწყობილობის გამოყენებას ცუდი ამინდის პირობებში, განსაკუთრებით, როდესაც არსებობს ელვის საშიშროება. ეს შეამცირებს

თქვენზე მეხის დაცემის რისკს.

- **საფუძვლიანად შეამოწმეთ ბუნებაში ის ღია სივრცე, სადაც მოწყობილობა უნდა იქნას გამოყენებული.** ბუნებაში ღია სივრცე შეიძლება დაზიანდეს მოწყობილობის მუშაობის დროს.
- **საგულდაგულოდ შეამოწმეთ ის ტერიტორია, სადაც მოწყობილობა გამოყენებული უნდა იქნეს და გაასუფთავეთ ტერიტორია ისეთი ელემენტებისგან, როგორიცაა ქვა, ჩხირები, ჯოხები, სადენები, ძვლები და სხვა უცხო საგნები.** გამოტყორცნილმა საგნებმა შესაძლოა მოგაყენოთ სერიოზული პირადი ზიანი.
- **მოწყობილობის გამოყენებამდე ყოველთვის ვიზუალურად შეამოწმეთ, რომ კბილანა და კბილანების ნაკრები არ არის გაცვეთილი ან დაზიანებული.** გაცვეთილი ან დაზიანებული ნაწილები ზრდის დაზავების რისკს.
- **დამცავები უნდა იყოს ადგილზე. დამცავი უნდა იყოს მუშა მდგომარეობაში და სათანადოდ დამაგრებული.** დამცავმა, რომელიც მოშვებულია, დაზიანებულია ან არ მუშაობს სწორად, შეიძლება გამოიწვიოს პირადი დაზიანება.
- **ხელსაწყოზე ჰაერის გამაგრებლის შესასვლელი იქონიეთ ნარჩენებისგან თავისუფალ მდგომარეობაში.** დაბლოკილმა ჰაერის შემშვებმა და ნამსხვრევებმა შეიძლება გამოიწვიოს გადახურება ან ხანძრის რისკი.
- **ხელსაწყო მუშაობის დროს ყოველთვის ატარეთ ფეხსაცმელი, რომელიც არ ცურავს და დამცავია. ნუ გამოიყენებთ მოწყობილობას, როდესაც ხართ ფეხშველა ან გაცვიათ ღია ზაფხულის ფეხსაცმელი.** ეს ამცირებს მოძრავ კბილანასთან კონტაქტის შედეგად გამოწვეული ფეხების დაზიანების რისკს.
- **ყოველთვის ატარეთ გრძელი შარვალი მოწყობილობის გამოყენების დროს.** ღია კანი ზრდის გამოტყორცნილი საგნებისგან დაზიანების ალბათობას.
- **არ გამოიყენოთ მოწყობილობა სველ**

- ბალახზე, არასოდეს ირბინოთ, მხოლოდ იარეთ.** ეს ამცირებს დაცურების და დაცემის რისკს, რამაც შეიძლება გამოიწვიოს დაზიანება.
- **არ გამოიყენოთ ხელსაწყო ძალიან ციგაბო ფერდობებზე.** ეს ამცირებს კონტროლის დაკარგვის, დაცურების და დაცემის რისკს, რამაც შეიძლება გამოიწვიოს პირადი ზიანი.
- **ფერდობებზე მუშაობის დროს ყოველთვის მყარად იდექით ფეხზე, ყოველთვის იმუშავეთ ფერდობის გასწვრივ და არა მალა ან დაბლა და გამოიჩინეთ განსაკუთრებული სიფრთხილე მიმართულების შეცვლის დროს.** ეს ამცირებს კონტროლის დაკარგვის, დაცურების და დაცემის რისკს, რამაც შეიძლება გამოიწვიოს პირადი ზიანი.
- **გამოიჩინეთ განსაკუთრებული სიფრთხილე როდესაც უკან მოძრაობთ ან ქაჩავთ ხელსაწყოს თქვენკენ.** ყოველთვის გაეცანით თქვენს გარემოს. ეს ამცირებს ექსპლუატაციის დროს გათიშვის რისკს.
- **დაიჭირეთ ხელსაწყო მხოლოდ იზოლირებული ხელჩასაჭიდი ზედაპირით, რადგან კბილანა შესაძლოა შეეხოს დაფარულ დენის სადენს.** კბილანა, რომელიც შეეხება დენის გამტარ სადენს, თავადაც ხდის ხერხის შიშველ ლითონის ნაწილებს გამტარს და შესაძლოა გამოიწვიოს ოპერატორის ელექტრული შოკი.
- **არ შეეხოთ კბილანებს და სხვა სახიფათო მოძრავ ნაწილებს, სანამ ისინი ჯერ კიდევ მოძრაობენ.** ეს ამცირებს მოძრავ ნაწილებისგან ზიანის მიღების რისკს.
- **გაჭედილი საგნების მოცილებისას ან მოწყობილობის გაწმენდისას, დარწმუნდით რომ ყველა ჩამორთველი არის გამორთულ მდგომარეობაში და აკუმულატორის ბლოკი მოხსნილია.** მოწყობილობის მოულოდნელმა ამუშავებამ შეიძლება გამოიწვიოს სერიოზული ფიზიკური დაზიანება.

KA

დამატებითი გაფრთხილებები

- გამოიყენეთ მხოლოდ EGO-ს PH1400E/PH1420E/PHX1600 ძალურ თავაკთან.
შენიშვნა: უსაფრთხოების დეტალური წესებისა და მუშაობის ინსტრუქციებისთვის იხილეთ თქვენი EGO-ს PH1400E/PH1420E/PHX1600 ძალური თავაკის ოპერატორის სახელმძღვანელო.

შეინახეთ ეს მომხმარებლის ინსტრუქცია!

სპეციფიკაციები

| | |
|------------------------------------------|------------------------------------------|
| მაქსიმალური სამუშაო სიგანე | 355 მმ |
| უქმი სვლის სიჩქარე (PH1420E-ით) | დაბალი: 2600 ბრ/წთ |
| | მაღალი: 3000 ბრ/წთ |
| რეგულირება | 3 პოზიცია |
| გასუფთავების სიღრმე | 0 / 10 მმ / 20 მმ |
| რეკომენდებული საექსპლუატაციო ტემპერატურა | 0°C – 40°C |
| რეკომენდებული დასაწყობების ტემპერატურა | -20°C – 70°C |
| გაზომილი ხმის სიმძლავრის დონე L_{WA} | 88 დბ(ა) K=2 დბ(ა) (PH1400E) |
| | 88.49 დბ(ა) K=0.81 დბ(ა) (PH1420E) |
| | 90 დბ(ა) K=0.9 დბ(ა) (PHX1600) |

| | | |
|---------------------------------------------------------------------------------------|--------------------------------------|----------------------------------------------------------------|
| ბგერის წნევის დონე მომხმარებლის ყურზე L_{PA} | 82 დბ(ა) K=3 დბ(ა) (PH1400E) | |
| | 79.8 დბ(ა) K=3 დბ(ა) (PH1420E) | |
| | 82 დბ(ა) K=3 დბ(ა) (PHX1600) | |
| გარანტირებული ხმის სიმძლავრის დონე L_{WA} (გაზომილი 2000/14/EC რეგულაციის მიხედვით) | 92 დბ(ა) | |
| ვიბრაციის შეფასება a_h | რეგულირებადი წინა სახელური | 2.35 მ/წმ ² K=1.5 მ/წმ ² (PH1400E) |
| | | 2.36 მ/წმ ² K=1.5 მ/წმ ² (PH1420E) |
| | | 2.63 მ/წმ ² K=1.5 მ/წმ ² (PHX1600) |
| | უკანა სახელური | 2.66 მ/წმ ² K=1.5 მ/წმ ² (PH1400E) |
| | | 2.24 მ/წმ ² K=1.5 მ/წმ ² (PH1420E) |
| | | 1.74 მ/წმ ² K=1.5 მ/წმ ² (PHX1600) |
| წონა (ხმელი ბალახის მოსაშორებლის ცილინდრით) | 7.4 კგ | |

- მითითებული პარამეტრები ტესტირებული და გაზომილია PH1400E/PH1420E/PHX1600 ელექტრო თავაკის საშუალებით.
- მითითებული ვიბრაციის სრული სიდიდე გაზომილია სტანდარტული ტესტირების მეთოდის გამოყენებით და შესაძლოა გამოყენებულ იქნას ერთი მოწყობილობის მეორესთან შედარებისას.
- მითითებული ვიბრაციის სრული სიდიდე ასევე შესაძლოა გამოყენებულ იქნას ზემოქმედების წინასწარი შეფასებისას.

KA

▲ გაფრთხილება: ელექტრო ხელსაწყოთა ფაქტობრივი გამოყენებისას ვიზრაციის ემისია შესაძლოა განსხვავდებოდეს მითითებული სიდიდისგან; ოპერატორის დაცვის მიზნით, მომხმარებელმა მოწყობილობით სარგებლობისას საჭიროა გამოიყენოს ხელთათმანები და სმენის დამცავი.

▲ გაფრთხილება: ოპერატორის დაცვის მიზნით უსაფრთხოების ზომების იდენტიფიცირების აუცილებლობიდან გამომდინარე, რომლებიც ეფუძნება რეალურ პირობებში აღჭურვილობის გამოყენების ზემოქმედებას (ოპერაციული ციკლის ყველა ნაწილის გათვალისწინებით, როგორცაა ხელსაწყოთა გამოტოვის დრო და უქმი სხვა ამუშავების დროზე დამატებით).

აღწერილობა

შეისწავლეთ თქვენი ხმელი ბალახის საკრეჭის სამაგრი (ნახ. A)

1. ტორსული ხუფი (2)
2. მისამაგრებელი ლილვი
3. ქვედა ხუფი
4. ბორბალი
5. ზედა ხუფის კომპლექტი
6. სიდრმის მარეგულირებელი ბერკეტი
7. დეფლექტორის მცველი
8. საფეხიკი
9. 4მმ ექსცენანაგა შლიცის გასადები
10. 5მმ ექსცენანაგა შლიცის გასადები
11. ფოცხის კბილნა
12. გამხმარი ბალახის მოსაშორებელი მოწყობილობის ცილინდრი

ნაკრები

▲ გაფრთხილება: თუ რომელიმე ნაწილი დაზიანებულია ან დაკარგულია, არ ისარგებლოთ მოწყობილობით, სანამ ყველა ნაწილი არ გამოიცვლება. დაზიანებული ან დაკარგული ნაწილების მქონე მოწყობილობით სარგებლობას შესაძლოა

მოჰყვეს სერიოზული ზიანი.

▲ გაფრთხილება: არ სცადოთ ხელსაწყოთა გადაკეთება ან ისეთი აქსესუარების შექმნა, რომლებიც არაა რეკომენდებული ამ ხელსაწყოთვის. ნებისმიერი მსგავსი ცვლილება ან მოდიფიკაცია არის მოწყობილობის არასათანადო გამოყენება და შესაძლოა წარმოქმნას სახიფათო მდგომარეობა, რომელმაც შესაძლოა გამოიწვიოს სერიოზული პირადი ზიანი.

სამაგრის ლილვის შეერთება ხმელი ბალახის მოსაშორებელ კომპლექტთან (ნახ. B)

| | | | |
|-----|---------------------|-----|-----------------|
| B-1 | M5 ჭანჭიკი | B-4 | ნასვრეტი |
| B-2 | ჭანჭიკი | B-5 | ჭანჭიკის ხვრელი |
| B-3 | მისამაგრებელი ლილვი | B-6 | ქვედა ხუფი |

1. მოათავსეთ ხმელი ბალახის მოსაშორებელი მოწყობილობა თავდაყირა სტაბილურ ბრტყელ ზედაპირზე.
2. მოხსენით ტორსული ხუფი სამაგრის ლილვის წინა ნაწილიდან.
3. სამაგრის ლილვის ნახვრეტი მიმართეთ მაღლა, ჩადეთ სამაგრის ლილვი სამაგრის ქვედა ხუფში სადამდეც ჩავა. გაუსწორეთ სამაგრის ლილვზე არსებული ნასვრეტი ქვედა ხუფზე მდებარე ჭანჭიკის ნახვრეტს.
4. მოწოდებული 4 მმ ექსცენანაგა შლიცის გასადების გამოყენებით დაამაგრეთ ქვედა ხუფი სამაგრის ლილვზე M5 ჭანჭიკით.
5. ექსცენანაგა შლიცის გასადების გამოყენებით მოუჭირეთ მაგრად ორ წინასწარ დაყენებულ ჭანჭიკს ქვედა ხუფზე.

▲ გაფრთხილება: ხელსაწყოთა გამოყენებამდე დარწმუნდით, რომ სამი ჭანჭიკი არის სრულად მოჭერილი, პერიოდულად შეამოწმეთ სიმტკიცე, რათა თავიდან აიცილოთ სერიოზული პირადი ზიანი.

KA



ხელსაწყოთა დალურ თავაკვზე ხმელი ბალახის საკრეჭის სამაგრის დამონტაჟება

ხმელი ბალახის მოსაშორებელი მოწყობილობის სამაგრი განკუთვნილია EGO-ს PH1400E/PH1420E/PHX1600 ელექტრულ თავაკვთან სამუშაოდ.

იხილეთ „სამაგრის დამონტაჟება ელექტრო თავაკვზე“ ნაწილი PH1400E/PH1420E/PHX1600 ელექტრო თავაკვის მომხმარებლის ინსტრუქციაში.

მუშაობა

▲ გაფრთხილება: შეეცადეთ მსგავსი პროდუქტის გამოყენების გამოვდილება არ გამოიწვიოს თქვენი გაუფრთხილებლობა. დაიმასხვორეთ, რომ გაუფრთხილებლობამ წამის მეთედშიც კი შესაძლოა მოგიტანოთ სერიოზული ზიანი.

▲ გაფრთხილება: ყოველთვის გაიკეთეთ თვალბის დამცავი. ამ ინსტრუქციის უგულვებელყოფამ შესაძლოა გამოიწვიოს სხვადასხვა სხეულის თვალში მოხვედრა და სხვა შესაძლო სერიოზული ზიანი.

▲ გაფრთხილება: სერიოზული ფიზიკური დაზიანისგან თავის არიდების მიზნით, მოხსენით აკუმულატორის ბლოკი ხელსაწყო ტექნიკური მომსახურების, გაწმენდის, მისამაგრებელი ელემენტების შეცვლის ან ნარჩენი მასალების მოცილების დროს.

▲ გაფრთხილება: არ გამოიყენოთ სხვა ნებისმიერი ნაწილი, რომელიც არაა რეკომენდებული ამ მოწყობილობის მწარმოებლის მიერ. არარეკომენდებული მისამაგრებელი ხელსაწყო ან აქსესუარების გამოყენებამ შესაძლოა მოგაყენოთ სერიოზული ზიანი.

გამოყენებები

მოსაშორეთ ძველი, გამხმარი ღეროები, ხავსი, ბალახი ან ფესვის ნარჩენები გაზონებიდან.

ხმელი ბალახის მოსაშორებელი მოწყობილობის ჩართვა/გამორთვა

მოწყობილობის გამოყენებამდე

▲ გაფრთხილება: სერიოზული პერსონალური ზიანისგან თავის არიდების მიზნით ყოველთვის მოირგეთ

უსაფრთხოების თვალსაფარი ან სათვალე ხელსაწყოთი სარგებლობისას. გამოიყენეთ სახის ნიღაბი ან მტვრის საწინააღმდეგო ნიღაბი მტვრიან ადგილას მუშაობისას. ატარეთ შესაბამისი ტანსაცმელი და ფეხსაცმელი მოწყობილობის გამოყენების დროს, რათა შეამციროთ დაზიანების რისკი, რომელიც შეიძლება გამოწვეული იყოს მფრინავი ნამსხვრევებით.

- გამოყენებამდე კარგად შეამოწმეთ, რომ არ არის პროდუქტი დაზიანებული. არ გამოიყენოთ პროდუქტი, თუ ის დაზიანებულია ან ეტყობა ცვეთა.
- დარწმუნდით, რომ გაზონზე არ არის ქვები, ჯოხები, მავთული ან სხვა საგნები, რამაც შეიძლება დააზიანოს პროდუქტი.
- სამუშაომდე გაზონი გათიბეთ და შემდეგ გამოიყენეთ სასუქი.

რჩევები ექსპლუატაციასთან დაკავშირებით

იმისათვის, რომ გაზაფხულზე ჯანსაღი გაზონი გქონდეთ, საჭიროა უფრო დიდი რაოდენობით ჰაერმა შეაღწიოს ბალახის ფესვების მიდამოში. ჩვენ გირჩევთ გაზონიდან ხმელი ბალახების მოშორებას წელიწადში ორჯერ მაინც, გაზაფხულზე ან შემოდგომაზე, თქვენი გაზონის მდგომარეობიდან გამომდინარე.

- თქვენი უსაფრთხოებისთვის არ გამოიყენოთ მოწყობილობა 15 გრადუსზე მეტი დახრილობის მქონე ფერდობებზე. ფერდობებზე მოწყობილობა გამოიყენეთ ჰორიზონტალურად და არა ზემოთ-ქვემოთ მიმართულებით. მოეპყარით ექსტრემალური სიფრთხილით, როდესაც ფერდობებზე მოძრაობას ცვლით.
- არ გამოიყენოთ ეს პროდუქტი სველ გაზონზე, რადგან სველი ბალახი პლატფორმას და კბილანებს ეწებება, ასევე შეიძლება მოგიცურდეთ ფეხი და დაეცეთ.
- დაიჭირეთ ხელსაწყო ორივე ხელით. სახელურები უნდა იყოს მშრალი, რათა უსაფრთხოდ დაიჭიროთ მოწყობილობა.
- ნელა მიაწეეთ პროდუქტს წინ. გადაიტანეთ პროდუქტი შესაბამისი სიჩქარით. არ გადაადგილოთ ის ძალიან სწრაფად, რათა კბილანები არ გაიჭედოს

KA

და არ გამოიწვიოს ძრავის ზედმეტად დატვირთვა.

- დაუყოვნებლივ გამორთეთ პროდუქტი, თუ სამუშაო ადგილზე სხვა ადამიანები შემოვლენ. ქვემოთ დადებამდე მუდამ დაელოდეთ პროდუქტის სრულად გაჩერებას.
- ზედმეტად ნუ ამუშავებთ. შეისვენეთ რეგულარულად, რათა შეძლოთ სამუშაოზე კონცენტრირება და მოწყობილობის სრულად კონტროლი.
- იმუშავეთ ოდნავ პირგადადებულ მწკრივებზე. ყველაზე ეფექტური ნიმუშია სწორი ხაზები ერთ-ერთი მხარის გასწვრივ (ნახ C). ეს დაგეხმარებათ მწკრივების თანაბრად შენარჩუნებაში და შეძლებთ ხმელი ბალახის მოშორებას მთელი გაზონიდან, რომელიმე წერტილის გამოტოვების გარეშე.
- განსაკუთრებულად ყურადღებით იყავით მიმართულების შეცვლისას.
- ყოველთვის დაწმუნდით თქვენს მყარ საყრდენზე. დასხლეტამ და დაგემა შეიძლება სერიოზული პირადი დაზიანება გამოიწვიოს. თუ გრძნობთ, რომ წონასწორობას კარგავთ, დაუყოვნებლივ გამორთეთ ძრავა.
- არ იმუშოთ გადმოსულ ნაწილებზე, თხრილებსა ან ყრილებზე; თქვენ შეიძლება დაკარგოთ წონასწორობა.

ხმელი ბალახის საკრეკის სამაგრის ჩართვა/გამორთვა

იხილეთ „ელექტრო თავაკის ჩართვა/გამორთვა“ ნაწილი PH1400E/PH1420E/PHX1600-ის მომხმარებლის ინსტრუქციაში.

▲ გაფრთხილება: გამორთეთ მოწყობილობა, თუ საჭიროა პროდუქტის გადახრა მისი გადატანისას, როდესაც გადაკვეთავთ რაიმე ზედაპირს ბალახის გარდა და როდესაც მოწყობილობა გადაგაქვთ მოსათიბ ტერიტორიაზე ან მოგაქვთ იქიდან.

▲ გაფრთხილება: არ გადახაროთ მოწყობილობა, როდესაც ძრავს რთავთ, გარდა იმ შემთხვევებისა, როდესაც

ეს საჭიროა მის ასამუშავებლად. ამ შემთხვევაშიც არ გადახაროთ ხელსაწყო იმაზე მეტად, ვიდრე საჭიროა და აწიეთ მხოლოდ მომხმარებლისგან მოშორებით არსებული ნაწილი.

შეამოწმეთ კბილანების დაბლოკვა

- დაბლოკვის თავიდან ასაცილებლად, გაწმინდეთ მოწყობილობის ქვედა მხარე ყოველი გამოყენების წინ და შემდეგ, რათა მოაცილოთ დაგროვილი ნარჩენები.
- დაბლოკვის შემთხვევაში, შეაჩერეთ მოწყობილობა და ამოიღეთ აკუმულატორის ბლოკი, შემდეგ მოაშორეთ ბალახის და ფოთლების ნარჩენები კბილანებს და პლატფორმას. გაწმინდეთ მოწყობილობა ნოტიო ქსოვილით.

სიღრმის რეგულირება (სურ. D)

▲ გაფრთხილება: მოაშორეთ ფეხები პლატფორმას სიღრმის რეგულირებისას. ხმელი ბალახის მოშორების სიღრმე შეიძლება დაყენდეს 3 სიღრმის პოზიციაზე:

- 1 & 2: სამუშაო პოზიცია
 - 3: ტრანსპორტირების პოზიცია
- დაარეგულირეთ სიღრმე თქვენი გაზონის საჭიროებების მიხედვით.
1. გამორთეთ მოწყობილობა და დაელოდეთ მის სრულ გაჩერებას.
 2. მოხსენით აკუმულატორი.
 3. ამოწიეთ სიმაღლის რეგულირების ბერკეტი საკეტიდან და დააყენეთ სასურველ პოზიციაში.

| | | | |
|-----|--------------------------------|-----|-----------------|
| D-1 | სიღრმის მარეგულირებელი ბერკეტი | D-2 | სიღრმის პოზიცია |
|-----|--------------------------------|-----|-----------------|

ტექნიკური მომსახურება

▲ გაფრთხილება: ხელსაწყოს შემოწმებამდე, გაწმენდამდე და ტექნიკური მომსახურებამდე, გააჩერეთ ძრავა, დაელოდეთ ყველა მოძრავი ნაწილის გაჩერებას და მოხსენით აკუმულატორის

KA

ბლოკი. ჩამოთვლილი ინსტრუქციების უგულვებელყოფამ შესაძლოა გამოიწვიოს სერიოზული ფიზიკური ან მატერიალური ზიანი.

▲ გაფრთხილება: ყოველთვის გაიკეთეთ სათვალე გვერდითი დამცავი ფარებით. წინააღმდეგ შემთხვევაში, თვალში შეიძლება მოგხვდეთ სხვადასხვა საგანი, რამაც შეიძლება გამოიწვიოს სერიოზული დაზიანება.

▲ გაფრთხილება: ტექნიკური მომსახურებისას გამოიყენეთ მხოლოდ იდენტიური სათადარიგო ნაწილები. სხვა ნებისმიერი ნაწილის გამოყენებამ შესაძლოა შექმნას საფრთხე ან გამოიწვიოს ხელსაწყო დაზიანება. ხელსაწყო უსაფრთხოდ და გამართულად მუშაობისთვის მისი ყველა შეკეთება, გარდა ინსტრუქციაში მოცემული მოვლის წესებში აღწერილი პროცედურებისა, უნდა შესრულდეს კვალიფიციური ტექნომსახურების ტექნიკოსის მიერ.

▲ გაფრთხილება: უცხო საგანზე დარტყმის შემდეგ გააჩერეთ მოწყობილობა, ამოიღეთ აკუმულატორის ბლოკი და შეამოწმეთ, რომ ყველა მოძრავი ნაწილი სრულად გაჩერდა. შეამოწმეთ მოწყობილობა დაზიანებაზე და ჩაუტარეთ შესაბამისი შეკეთება მოწყობილობის მოხმარების დაწყებამდე.

▲ გაფრთხილება: თუ მოწყობილობა დაიწყებს უჩვეულო ვიბრაციას, გააჩერეთ ის და ამოიღეთ აკუმულატორის ბლოკი, რათა დარწმუნდეთ, რომ ყველა მოძრავი ნაწილი მთლიანად გაჩერდა. შემდეგ დაუყოვნებლივ შეამოწმეთ დაზიანებაზე, შეცვალეთ ან შეაკეთეთ დაზიანებული ნაწილები და შეამოწმეთ და მოუჭირეთ მოშვებულ ნაწილებს.

▲ გაფრთხილება: ფრთხილად იყავით პროდუქტის რეგულირებისას, რათა თითები არ ჩაგყვით მოწყობილობის მოძრავ და უძრავ ნაწილებში.

გაწმენდა

▲ გაფრთხილება: როდესაც წმენდთ ხმელი ბალახის საკრეჭის სამაგრს, არ მოათავსოთ იგი წყალში ან სხვა სითხეში.

მოერიდეთ გამხსნელების გამოყენებას მოწყობილობის პლასტმასის ნაწილების გაწმენდისას. პლასტმასების უმეტესობა ადვილად ზიანდება მათზე სხვადასხვა სახის კომერციული გამხსნელების გამოყენების შედეგად. გამოიყენეთ სუფთა ტილო ტალახის, მტვრის, ზეთის, ცხიმის და სხვ. მოსაცილებლად.

შეზეთვა

ამ პროდუქტში ყველა საკისარი გაპოხილია სათანადო ოდენობით მაღალი ხარისხის საპოხი მასალისთ, მოწყობილობის ვარგისიანობის განმავლობაში და ნორმალური მუშაობის პირობებში. ამრიგად, დამატებითი გაპოხვა საჭირო არ არის.

ცილინდრის შეცვლა

▲ გაფრთხილება: ნებისმიერი ტექნიკური სამუშაოს შესრულებამდე, ყოველთვის ამოიღეთ აკუმულატორის ბლოკი მოწყობილობიდან და დაელოდეთ კბილანას ცილინდრის სრულად გაჩერებას. ატარეთ დამცავი ხელთათმანები კბილანებზე შეხებისას.

ცილინდრის მოხსნა

1. მოხსენით აკუმულატორი ძალოვანი თავაკიდან.
2. დადეთ სამაგრი თავდაყირა ბრტყელ მყარ ზედაპირზე.
3. გამოიყენეთ მოწოდებული 5 მმ-იანი ექვსკანანაგა შლიცის გასადები, რათა მოუშვათ და მოხსნათ ორი საკეტი ჭანჭიკი ცილინდრის ბუდიდან (ნახ. E1).
4. მიაჭირეთ ხმელი ბალახის საკრეჭის ცილინდრს მარცხნივ, სანამ მარჯვენა ბოლოზე არსებული შლიცებიანი ლილვი არ ამოვარდება მოწყობილობის კვანძიდან (ნახ. E2).
5. ამოიღეთ ხმელი ბალახის საკრეჭის ცილინდრი მოწყობილობიდან (სურ E3).

| | | | |
|------|------------------|------|-----------------------------------------------------|
| E1-1 | საყრდენი ბუდე | E1-2 | გამხმარი ბალახის მოსაშორებელი მოწყობილობის ცილინდრი |
| E2-1 | შლიცებიანი ლილვი | E2-2 | შპინდელი |

ახალი ცილინდრის დამონტაჟება

1. მოათავსეთ ახალი ცილინდრის საყრდენი ბუდე მოწყობილობის ბაზაზე და დააწეეთ ცილინდრის მარცხნივ, სადამდეც ჩავა (ნახ. F1).
2. გაასწორეთ და ჩასვით ცილინდრის მარჯვენა მხარეს არსებული შლიცებიანი ლილვი მოწყობილობის შლიცებიან მორგეში (ნახ. F2).
3. გაასწორეთ საკისრის ბუდეზე არსებული ორი ხვრელი ბაზის ნახვრეტებთან, დაამაგრეთ საკისარი ბუდე ბაზაზე ჩამკეტი ჭანჭიკებით (ნახ. F3).

ფოცხის კბილანების შეცვლა

ნორმალური გამოყენების შემთხვევაში ფოცხის კბილანები შეიძლება გაიცვიოს და დაიმსხვრეს. როდესაც კბილანების სიდრმის რეგულირება არ გაძლევთ ხმელი ბალახის სათანადო ოდენობით მომორების შესაძლებლობას ან თუ კბილანა დაიმსხვრევა, გამოცვალეთ კბილანები ქვემოთ მითითებულ სახით.

კბილანის მოხსნა

1. მოხსენით აკუმულატორი ძალოვანი თავაკიდან.
2. დადეთ სამაგრი თავდაყირა ბრტყელ მყარ ზედაპირზე.
3. დააწეეთ ფოცხის კბილანის ორი ღეროს ცილინდრის 1-ელ ჭრილში და ამოიღეთ ფოცხის კბილანა ცილინდრიდან, როგორც ნაჩვენებია სურათზე G.

| | | | |
|-----|------|-----|-----------|
| G-1 | ღერო | G-2 | 1-ლი ბუდე |
|-----|------|-----|-----------|

ფოცხის კბილანას დაყენება (ნახ.H)

1. ჩადეთ ფოცხის კბილანას ღეროები ცილინდრის 1-ელ ჭრილში (ნაბიჯი 1).
2. ჩადეთ ფოცხის კბილანას ბუდე ცილინდრის მე-2 ჭრილში (ნაბიჯი 2).
3. მიმართეთ კბილანას ორი ღერო 1-ლი ჭრილისკენ, მიაწეეთ წინ პოზიციასზე მე-3 ჭრილში და ორი ღერო ავტომატურად დაბრუნდება თავის ადგილზე (ნაბიჯი 3 და 4).

| | | | |
|-----|-----------|-----|-----------|
| H-1 | ღერო | H-2 | 1-ლი ბუდე |
| H-3 | მე-2 ბუდე | H-4 | მე-3 ბუდე |

ტრანსპორტირება და შენახვა

- მოხსენით აკუმულატორი ძალოვანი თავაკიდან.
- შენახვის წინ ყოველთვის გააგრილეთ მოწყობილობა.
- შენახვამდე საგულდაგულოდ გაწმინდეთ მოწყობილობა.
- შეინახეთ მოწყობილობა მშრალ, კარგად განაივებად ადგილას ჩაკეტილ სათავსოში ან მალა, ბავშვებისთვის მიუწვდომელ ადგილას. არ შეინახოთ მოწყობილობა სასუქის, ბენზინის და სხვა ქიმიური ნივთიერებების სიახლოვეს.

გარემოს დაცვა



არ მოათავსოთ ელექტრო მოწყობილობა, ნახმარი დამტენი და აკუმულატორი საყოფაცხოვრებო ნაგავში! მიუტანეთ პროდუქტი ნარჩენების ავტორიზირებულ გადამამუშავებელს და უზრუნველყავით ასეთი ნარჩენის განცალკევებულად შეგროვება. ელექტრო მოწყობილობები უნდა ჩაბარდეს გარემოს თვალსაზრისით თავსებად ნარჩენების გადამამუშავებელ ობიექტს.

KA



დიაგნოსტიკა

| პრობლემა | მიზეზი | გადაჭრის გზა |
|------------------------------------------------------------------------|-----------------------------------------------------------------------------------------------------------------------------------------------------------------------------------------------------------------------------------------------|----------------------------------------------------------------------------------------------------------------------------------------------------------------------------------------------------------------------------------------------------------------------------|
| ძრავა არ ირთვება | <ul style="list-style-type: none"> ■ აკუმულატორის ბლოკი დაცლილია. ■ ჩაკეტვის მოსახნელი ღილაკი ან გამშვები ჩამრთველი არ იყო სწორად გამოყენებული. ■ აკუმულატორის ბლოკი არ დევს აკუმულატორის ნაკვეთურში სრულად. | <ul style="list-style-type: none"> ■ დატენეთ აკუმულატორის ბლოკი. ■ იხილეთ ნაწილი „ელექტროთავაკის ჩართვა/გამორთვა“ ძალური თავაკის შესახებ სახელმძღვანელოში. ■ შემოწმეთ, ჩასმულია თუ არა აკუმულატორის ბლოკი სრულად აკუმულატორის ნაკვეთურში. |
| მოწყობილობა გამოსცემს უჩვეულო ხმებს. | <ul style="list-style-type: none"> ■ ნამსხვრევები ან უცხო საგნები აფერხებენ მოწყობილობის მუშაობას. | <ul style="list-style-type: none"> ■ გააჩერეთ ძრავა, ამოიღეთ აკუმულატორის ბლოკი და მოაშორეთ ნამსხვრევები ან უცხო საგნები, რომლებიც ხელს უშლიან მოწყობილობას გამართულად მუშაობაში. |
| მოწყობილობა არ მუშაობს გამართულად ან შედეგი არ არის დამაკმაყოფილებელი. | <ul style="list-style-type: none"> ■ ბალახი ძალიან მაღალია. | <ul style="list-style-type: none"> ■ გათიბეთ გაზონი გამხმარი ბალახის მოშორებამდე. |
| | <ul style="list-style-type: none"> ■ სველი ნარჩენები მიწეპებულია პლატფორმის ქვედა ნაწილზე. | <ul style="list-style-type: none"> ■ დაელოდეთ ბალახის გაშრობას ხმელი ბალახის მოშორებამდე. |
| | <ul style="list-style-type: none"> ■ სიღრმე დაყენებულია არასწორ პარამეტრზე. | <ul style="list-style-type: none"> ■ სასურველ შედეგს რომ მიაღწიოთ, დაარეგულირეთ კბილანების სიღრმე. |
| | <ul style="list-style-type: none"> ■ კბილანები გაცვეთილია ან დაზიანებული. | <ul style="list-style-type: none"> ■ საჭიროებისამებრ შეცვალეთ კბილანები. |

გარანტია

EGO-ს საგარანტო პოლიტიკა

გთხოვთ, ეწვიოთ ვებ-გვერდს egopowerplus.eu, და გაეცნოთ EGO-ს საგარანტო პოლიტიკის წესებს და პირობებს სრულად.

KA

PROČITAJTE SVA UPUTSTVA!



PROČITAJTE PRIRUČNIK ZA RUKOVAOCA

SIGURNOSNI SIMBOLI

Svrha sigurnosnih simbola je da vam skrenu pažnju na moguće opasnosti. Sigurnosni simboli i objašnjenja uz njih zaslužuju vašu pognu pažnju i shvatanje. Simboli upozorenja, sami po sebi, ne eliminišu nikakve opasnosti. Uputstva i upozorenja koja oni daju nisu zamena za odgovarajuće mere sprečavanja nezgoda.

⚠ UPOZORENJE: Obavezno pročitajte i shvatite sva sigurnosna uputstva u ovom Priručniku za rukovaoca, obuhvatajući i sve simbole sigurnosnih upozorenja poput „OPASNOST“, „UPOZORENJE“ i „OPREZ“ pre korišćenja ove mašine. Nepridržavanje svih dole navedenih uputstava može da dovede do strujnog udara, požara i/ili ozbiljne telesne povrede.

ZNAČENJE SIMBOLA

⚠ SIMBOL SIGURNOSNOG UPOZORENJA:

Ukazuje na **OPASNOST**, **UPOZORENJE** ILI **OPREZ**. Može se koristiti zajedno sa drugim simbolima ili piktogramima.



⚠ UPOZORENJE: Rukovanje mašinama može da dovede do odbacivanja stranih predmeta u oči, što opet može da izazove teška oštećenja očiju. Pre početka rukovanja mašinom uvek nosite zatvorene zaštitne naočare

ili zaštitne naočare sa bočnim štitnicima, a po potrebi i masku za celo lice. Preporučujemo sigurnosnu masku Wide Vision za upotrebu preko naočara ili standardnih sigurnosnih naočara sa bočnim štitnicima.

SIGURNOSNA UPUTSTVA

Ova stranica prikazuje i opisuje sigurnosne simbole koji mogu da se pojave na ovom proizvodu. Pročitajte, shvatite i sledite sva uputstva na mašini pre no što pokušate da je sklopite i da rukujete njom.

| | | |
|---|------------------------------------------------------------------------|------------------------------------------------------------------------------------------------------------------------------------------|
| | Sigurnosno upozorenje | Označava potencijalnu opasnost od telesnih povreda. |
| | Pročitajte i shvatite priručnik za rukovaoca | Da bi smanjio rizik od povreda, korisnik pre korišćenja ovog proizvoda mora pročitati i shvatiti priručnik za rukovaoca. |
| | Nosite zaštitu za oči | Uvek nosite sigurnosne naočare ili sigurnosne naočare sa bočnim štitnicima i po potrebi masku za celo lice kad rukujete ovim proizvodom. |
| | UPOZORENJE – Čuvajte se izbačenih predmeta – držite prolaznike podalje | Upozorava korisnika da se čuva izbačenih predmeta – drži prolaznike podalje. |
| | OPASNOST – Držite šake i stopala dalje | Upozorava korisnike da drže šake i stopala dalje. |
| | UPOZORENJE – Držite šake i stopala dalje od zuba | Upozorava korisnika da drži šake i stopala dalje od zuba. |
| | Oznaka CE | Ovaj proizvod je u skladu sa primenjivim EC direktivama. |
| | UKCA | Ovaj proizvod je u skladu sa primenjivim zakonima UK. |
| | WEEE | Otpadne električne proizvode ne bi trebalo odlagati zajedno sa otpadom iz domaćinstva. Odnosite ih u ovlašćeni pogon za reciklažu. |
| | Buka | Garantovan nivo jačine zvuka. Emisija buke u okruženju prema Direktivi Evropske zajednice. |
| V | Volt | Napon |

SR

| | | |
|-----------------------------------------------------------------------------------|-------------------------------------------|----------------------------------------------------------|
|  | Jednosmerna struja (DC) | Vrsta ili karakteristike struje |
| mm | Milimetar | Dužina ili veličina |
| kg | Kilogram | Masa |
| min | Minuti | Vreme |
| n_0 | Brzina bez opterećenja | Rotaciona brzina, bez opterećenja |
| min^{-1} | Obrtaji ili naizmenično kretanje u minuti | Obrtaji, udari, površinska brzina, orbite, itd. u minutu |
| o/min | Obrtaji u minutu | Rotaciona brzina |
| °C | Stepeni celzijusa | Temperatura |

⚠ UPOZORENJE: Da bi se osigurala sigurnost i pouzdanost, sve popravke treba da radi kvalifikovani servisni tehničar.

OPŠTA SIGURNOSNA UPOZORENJA ZA MAŠINE NA BATERIJE

⚠ UPOZORENJE: PROČITAJTE SVA SIGURNOSNA UPOZORENJA, UPUTSTVA, ILUSTRACIJE I SPECIFIKACIJE PRILOŽENE UZ OVU MAŠINU.

Zanemarivanje uputstava navedenih u nastavku može da izazove strujni udar, požar i/ili teške povrede.

SACUVAJTE SVA UPOZORENJA I UPUTSTVA ZA BUDUĆU REFERENCU.

Pojam „mašina“ u upozorenjima označava mašinu (sa žicom) koja se uključuje u utičnicu ili mašinu (bežičnu) na baterije.

BEZBEDNOST RADNOG PODRUČJA

- Održavajte radno područje čistim i dobro osvetljenim. Pretrpana ili mračna područja izazivaju nesreće.
- Ne rukujte mašinama u eksplozivnim atmosferama, kao na primer u prisustvu zapaljivih tečnosti, benzina ili prašine. Mašine stvaraju varnice koje mogu zapaliti prašinu ili isparenja.
- Držite decu i posmatrače podalje dok rukujete mašinom. Ako vam nešto odvrti pažnju, možete izgubiti kontrolu.

ELEKTRIČNA BEZBEDNOST

- Utikač mašine mora odgovarati utičnici. Nikada ne modifikujete utikač ni na koji način. Ne koristite adapterske utikače sa uzemljenim mašinama. Nemodifikovani utikači i odgovarajuće utičnice umanjuje rizik od strujnog udara.
- Izbegavajte kontakt delova tela sa uzemljenim površinama, poput cevi, radijatora, šporeta i frižidera. Postoji povećan rizik od strujnog udara ako je vaše telo uzemljeno.
- Ne rukujte mašinom po kiši ili u vlažnim uslovima. To može povećati rizik od strujnog udara.
- Nemojte da nepropisno upotrebljavate kabl. Nikad ne koristite kabl za nošenje, vučenje ili isključivanje mašine iz utičnice. Čuvajte kabl podalje od toplote, nafte, oštih ivica ili pokretnih delova. Oštećen ili upetljan kabl povećava rizik od strujnog udara.
- Kada rukujete mašinom na otvorenom prostoru, koristite produžni kabl pogodan za korišćenje na otvorenom prostoru. Upotreba kabla pogodnog za korišćenje na otvorenom prostoru smanjuje rizik od strujnog udara.
- Ako je korišćenje mašine na vlažnom mestu neizbežno, koristite izvor napajanja sa zaštitnim uređajem diferencijalne struje (GFCI). Korišćenje GFCI smanjuje rizik od strujnog udara.

LIČNA BEZBEDNOST

- Ostanite u pripravnosti, gledajte ono što radite i koristite zdrav razum kad rukujete mašinom. Ne koristite mašinu kad ste umorni ili pod uticajem droge, alkohola ili lekova. Trenutak nepažnje kad rukujete mašinama je dovoljan da izazove ozbiljne telesne povrede.
- Upotrebljavajte ličnu zaštitnu opremu. Uvek nosite zaštitu za oči. Zaštitna oprema poput maske za prašinu, radnih cipela koje se ne klizaju, šlema ili zaštite sluha će, kada se koristi za odgovarajuće uslove, smanjiti telesne povrede.
- Sprečite nehotično startovanje. Osigurajte da prekidač bude u isključenom položaju pre povezivanja na izvor napajanja i/ili bateriju, podizanja ili nošenja mašine. Nošenje mašina sa prstom na prekidaču ili uključivanje u utičnicu mašina čiji prekidač je u uključenom položaju priziva nezgode.
- Uklonite sve ključeve za podešavanje pre uključivanja mašine. Ključ koji ostane pričvršćen za rotacioni deo mašine može da izazove telesnu povredu.
- Ne presežite. U svakom trenutku održavajte pravilan položaj nogu i ravnotežu. To omogućava bolju

kontrolu nad mašinom u neočekivanim situacijama.

- **Prikladno se obucite. Ne nosite labavu odeću ili nakit. Držite kosu i odeću dalje od pokretnih delova.** Labava odeća, nakit ili duga kosa mogu da se zakače pokretnim delovima.
- **Ako su priloženi uređaji za povezivanje delova za izbacivanje i prikupljanje prašine, osigurajte da oni budu povezani i da se pravilno koriste.** Upotrebom sistema za sakupljanje prašine mogu da se umanje opasnosti koje se odnose na prašinu.
- **Ne dozvolite da zbog poznavanja koje ste stekli kroz čestu upotrebu mašina postanete samozadovoljni i ignorišete principe bezbednosti mašina.** Nemarni postupak može da izazove ozbiljnu povredu u deliču sekunde.

KORIŠĆENJE I ODRŽAVANJE MAŠINE

- **Ne silite mašinu. Koristite odgovarajuću mašinu za ono što radite.** Odgovarajuća mašina uradiće posao bolje i bezbednije onom brzinom za koju je dizajnirana.
- **Ne koristite mašinu ako prekidač ne može da je uključi i isključi.** Svaka mašina koja se ne može kontrolisati prekidačem je opasna i mora se popraviti.
- **Izucite utikač iz izvora napajanja i/ili izvadite bateriju, ako je odvojiva, iz mašine pre bilo kakvog podešavanja, menjanja podataka ili skladištenja mašina.** Takve preventivne sigurnosne mere smanjuju rizik od nehotičnog pokretanja mašine.
- **Skladištite mašine koje se ne koriste van domašaja dece i ne dozvolite osobama koje nisu upoznate sa ovom mašinom ili ovim uputstvom da rukuju mašinom.** Mašine su opasne u rukama ne kvalifikovanih korisnika.
- **Održavajte mašine i pribor. Proveravajte da li ima nepravilnog poravnanja ili zaglavlivanja pokretnih delova, pucanja delova i svih drugih stanja koja mogu da utiču na rad mašine.** Ako je mašina oštećena, odnesite je na popravku pre upotrebe. Mnoge nezgode su izazvane loše održanim mašinama.
- **Održavajte mašine koje seku oštrim i čistim.** Pravilno održavane mašine za sečenje sa oštrim ivicama za sečenje se ređe zapetljavaju i lakše se kontrolišu.
- **Koristite mašinu, dodatke, burgije itd. u skladu sa ovim uputstvom, uzimajući u obzir radne uslove i rad koji treba obaviti.** Korišćenje mašine za rad drugačiji od predviđenog moglo bi da dovede do opasne situacije.
- **Održavajte drške i površine koje hvatate suvim, čistim i bez ulja i masnoće.** Klizave drške i površine koje hvatate ne omogućavaju bezbedno rukovanje i

kontrolu mašine u neočekivanim situacijama.

UPOTREBA I ODRŽAVANJE MAŠINA NA BATERIJE

- **Punite samo punjačem koji navodi proizvođač.** Punjač koji je prikladan za jedan tip baterije može da stvori opasnost od požara kad se koristi sa nekom drugom baterijom.
- **Koristite mašine samo sa konkretno imenovanim baterijama.** Upotreba bilo kakvih drugih akumulatora može da stvori rizik od povrede i požara.
- **Kad se baterija ne koristi, držite je dalje od drugih metalnih predmeta, poput spajalica, novčića, ključeva, eksera, vijaka ili drugih malih metalnih predmeta koji mogu da naprave spoj jednog terminala sa drugim.** Kratak spoj terminala baterije može da izazove opekotine ili požar.
- **U ekstremnim uslovima može doći do curenja tečnosti iz baterije; izbegavajte kontakt sa njom. Ako dođe do nehotičnog kontakta, isperite vodom.** Ako tečnost dođe u kontakt sa očima, takođe potražite i medicinsku pomoć. Tečnost izbačena iz baterije može da izazove iritaciju ili opekotine.
- **Ne koristite bateriju ili mašinu koje su oštećene ili modifikovane.** Oštećene ili modifikovane baterije mogu da ispolje nepredvidivo ponašanje, dovodeći do požara, eksplozije ili rizika od povrede.
- **Ne izlažite bateriju ili mašinu vatri ili previsokoj temperaturi.** Izlaganje vatri ili temperaturi iznad 130 °C može izazvati eksploziju.
- **Pratite sva uputstva za punjenje i ne puniti bateriju ili mašinu izvan temperaturnog opsega navedenog u uputstvima.** Punjenje na nepravilan način ili na temperaturama izvan navedenog opsega može da ošteti bateriju i poveća rizik od požara.

SERVIS

- **Odnosite mašinu na servisiranje kod kvalifikovanog servisera koji će koristiti samo identične rezervne delove.** To će osigurati da bezbednost mašine bude održana.
- **Nikad ne servisirajte oštećene baterije.** Servisiranje akumulatora treba da vrši samo proizvođač ili ovlašćeni servis.

SIGURNOSNA UPOZORENJA ZA PROZRAČIVAČ

- **Ne koristite mašinu u lošim vremenskim uslovima, naročito kad postoji rizik od grmljavine.** Time ćete smanjiti opasnost od udara munje.
- **Temeljno pregledajte da li na površini gde ćete koristiti mašinu ima divljih životinja.** Mašina tokom rada može povrediti divlje životinje.

- **Temeljno pregledajte površinu na kojoj ćete koristiti mašinu i uklonite svo kamenje, štapove, žice, kosti i druge strane predmete.** Izbačeni predmeti mogu da izazovu telesnu povredu.
- **Pre korišćenja mašine, uvek je vizuelno pregledajte da biste videli da zubi i sklop zuba nisu pohabani ili oštećeni.** Pohabani ili oštećeni delovi povećavaju rizik od povreda.
- **Držite štitnike na mestu. Štitnici moraju da budu u ispravnom stanju i pravilno montirani.** Labav ili oštećen štitnik ili štitnik koji ne funkcioniše ispravno može da dovede to telesnih povreda.
- **Držite sve ulaze vazduha za hlađenje čistim od prljavštine.** Blokirani ulazi vazduha i prljavština mogu da dovedu do pregrevanja ili rizika od požara.
- **Dok rukujete mašinom, uvek nosite zaštitnu obuću koja se ne klize. Ne rukujte mašinom dok ste bos ili nosite sandale ili papuče.** To smanjuje šanse za povrede stopala od kontakta sa zubima u pokretu.
- **Dok rukujete mašinom, uvek nosite duge pantalone.** Izložena koža povećava verovatnoću povrede od izbačenih predmeta.
- **Ne rukujte mašinom na mokroj travi. Hodajte; nikad nemojte trčati.** To smanjuje rizik od okliznuća i pada koji može dovesti do telesne povrede.
- **Nemojte rukovati mašinom na prekomerno strmim nagibima.** To smanjuje rizik od gubitka kontrole, okliznuća i pada koji može dovesti do telesne povrede.
- **Kad radite na nagibima, uvek budite sigurni u položaj nogu, uvek radite popreko nagiba, nikad uzbrdo ili nizbrdo, i budite krajnje oprezni kad menjate smer.** To smanjuje rizik od gubitka kontrole, okliznuća i pada koji može dovesti do telesne povrede.
- **Budite krajnje oprezni kad idete unazad ili vučete mašinu prema sebi. Uvek vodite računa o svom okruženju.** To smanjuje rizik od saplitanja tokom rada.
- **Držite mašinu samo za izolovane površine za hvatanje jer zubi mogu da dođu u dodir sa skrivenim ožičenjem.** Ako zubi dođu u dodir sa žicom pod naponom, i izloženi metalni delovi mašine mogu da budu pod naponom pa rukovalac može da dobije strujni udar.
- **Ne dodirujte zube i druge opasne pokretne delove dok su još uvek u pokretu.** To smanjuje rizik od povreda pokretnim delovima.
- **Kad vadite zaglavljene materijal ili čistite mašinu, vodite računa da svi prekidači za napajanje budu isključeni i da baterija bude odvojena.** Neočekivano uključivanje mašine može dovesti do ozbiljne telesne povrede.

SR

268

NASTAVAK PROZRAČIVAČA — DA1400

DODATNA UPOZORENJA

- Koristite samo sa EGO pogonskom glavom PH1400E/PH1420E/PHX1600.
NAPOMENA: Pogledajte priručnik za rukovaoca EGO pogonske glave PH1400E/PH1420E/PHX1600 za detaljna pravila bezbednosti i uputstvo za rukovanje.

SAČUVAJTE OVO UPUTSTVO

SPECIFIKACIJE

| | |
|-------------------------------------------------------------------------------------|------------------------------------------|
| Maksimalna radna širina | 355 mm |
| Brzina bez opterećenja (sa PH1420E) | Manja: 2600 o/min |
| | Veća: 3000 o/min |
| Podešavanje dubine | 3 položaja |
| Dubina prozračivanja | 0 / 10 mm / 20 mm |
| Preporučena radna temperatura | Od 0 do 40 °C |
| Preporučena temperatura skladištenja | Od -20 do +70 °C |
| Izmereni nivo jačine zvuka L_{WA} | 88 dB(A) K=2 dB(A) (PH1400E) |
| | 88,49 dB(A) K=0,81 dB(A) (PH1420E) |
| | 90 dB(A) K=0,9 dB(A) (PHX1600) |
| Nivo zvučnog pritiska kod uha rukovaoca L_{PA} | 82 dB(A) K=3 dB(A) (PH1400E) |
| | 79,8 dB(A) K=3 dB(A) (PH1420E) |
| | 82 dB(A) K=3 dB(A) (PHX1600) |
| Garantovani nivo zvučne snage L_{WA} (izmereno u skladu sa Direktivom 2000/14/EC) | 92 dB(A) |

| | | |
|----------------------------------------|-----------------------|--------------------------------------------------------------|
| Procena vibracije a_n | Prednja pomoćna drška | 2,35 m/s ² K=1,5 m/s ² (PH1400E) |
| | | 2,36 m/s ² K=1,5 m/s ² (PH1420E) |
| | | 2,63 m/s ² K=1,5 m/s ² (PHX1600) |
| | Rear handle | 2,66 m/s ² K=1,5 m/s ² (PH1400E) |
| | | 2,24 m/s ² K=1,5 m/s ² (PH1420E) |
| | | 1,74 m/s ² K=1,5 m/s ² (PHX1600) |
| Težina (sa cilindrom za prozračivanje) | | 7,4 kg |

- Gornji parametri su testirani i izmereni sa pogonskom glavom PH1400E/PH1420E/PHX1600.
- Deklarisana ukupna vrednost vibracije je izmerena u skladu sa standardnim metodom testiranja i može se koristiti za upoređivanje jednog alata sa drugim.
- Deklarisana ukupna vrednost vibracije može se koristiti i u preliminarnoj proceni izlaganja.

⚠ UPOZORENJE: Emisija vibracija tokom aktuelne upotrebe mašine može da se razlikuje od deklarisanе vrednosti u kojoj se mašina upotrebljavala. Korisnik radi zaštite treba da nosi rukavice i štitnike za uši u aktuelnim uslovima upotrebe.

⚠ UPOZORENJE: Potrebno je da se identifikuju sigurnosne mere za zaštitu rukovaoca koje su zasnovane na proceni izlaganja u stvarnim uslovima upotrebe (uzimajući u obzir sve delove radnog ciklusa, poput vremena kad je mašina isključena i kad radi bez opterećenja, pored vremena rada sa opterećenjem).

OPIS

UPOZNAJTE SVOJ NASTAVAK PROZRAČIVAČA (slika A)

1. Krajnja kapica (2)
2. Vratilo dodatka
3. Donji poklopac

4. Točak
5. Sklop gornjeg poklopca
6. Poluga za podešavanje dubine
7. Štitnik deflektora
8. Šipka strugača
9. 4 mm inbus ključ
10. 5 mm inbus ključ
11. Zubi grablji
12. Cilindar prozračivača

SKLAPANJE

⚠ UPOZORENJE: Ako su neki delovi oštećeni ili nedostaju, nemojte koristiti ovaj proizvod dok delovi ne budu zamenjeni. Korišćenje ovog proizvoda sa oštećenim ili nedostajućim delovima može dovesti do ozbiljnih telesnih povreda.

⚠ UPOZORENJE: Ne pokušavajte da modifikujete ovaj proizvod ili da pravite dodatke koji nisu preporučeni za korišćenje sa ovim proizvodom. Svaka takva promena ili modifikacija je zloupotreba i može dovesti do opasnih uslova koji mogu da dovedu do ozbiljnih telesnih povreda.

SPAJANJE VRATILA NASTAVKA NA SKLOP PROZRAČIVAČA (slika B)

| | | | |
|-----|-----------------|-----|----------------|
| B-1 | M5 zavrtnj | B-4 | Rupa |
| B-2 | Zavrtnj | B-5 | Rupa za šraf |
| B-3 | Vratilo dodatka | B-6 | Donji poklopac |

1. Položite sklop prozračivača naopako na stabilnu ravnu površinu.
2. Skinite krajnju kapicu sa prednjeg kraja vratila nastavka.
3. Sa rupom na vratilu nastavka okrenutom gore, umetnite vratilo nastavka u donji poklopac nastavka do kraja. Poravnajte rupu za vijak u donjem poklopcu sa rupom na vratilu nastavka.
4. Pomoću priloženog 4 mm inbus ključa, učvrstite donji poklopac na vratilo nastavka koristeći M5 zavrtnj.
5. Pomoću inbus ključa čvrsto zategnite dva unapred instalirana zavrtnja na donji poklopac.

⚠ UPOZORENJE: Vodite računa da tri zavrtnja budu sasvim zategnuta pre rukovanja opremom; periodično proveravajte njihovu zategnutost tokom upotrebe da biste izbegli ozbiljne telesne povrede.

POVEZIVANJE NASTAVKA PROZRAČIVAČA NA POGONSKU GLAVU

Ovaj nastavak prozračivača je dizajniran za korišćenje sa EGO pogonskom glavom PH1400E/PH1420E/PHX1600.

Pogledajte odeljak „**INSTALIRANJE DODATKA NA POGONSKU GLAVU**“ u priručniku za rukovaoca za pogonsku glavu PH1400E/PH1420E/PHX1600.

RUKOVANJE

⚠ UPOZORENJE: Ne dozvolite da zbog poznavanja ovog proizvoda postanete nemarni. Zapamtite da je delić sekunde nepažnje dovoljan da nanese ozbiljnu povredu.

⚠ UPOZORENJE: Uvek nosite zaštitu za oči. Nepostupanje u skladu sa tim može da rezultira odbacivanjem predmeta u oči i drugim mogućim teškim povredama.

⚠ UPOZORENJE: Da biste sprečili ozbiljne telesne povrede, izvadite bateriju iz proizvoda pre servisiranja, čišćenja, menjanja dodataka ili skidanja materijala sa proizvoda.

⚠ UPOZORENJE: Ne koristite nikakve dodatke ili pribor koje nije preporučio proizvođač ovog proizvoda. Upotreba nepreporučenih dodataka ili pribora može da rezultira teškim telesnim povredama.

PRIMENE

Uklonite ostatke starih, osušenih otkosa, mahovine, trave ili korenja sa travnjaka.

STARTOVANJE/STOPIRANJE PROZRAČIVAČA

Pre korišćenja prozračivača

⚠ UPOZORENJE: Da biste izbegli ozbiljne telesne povrede, uvek nosite sigurnosne naočare sa bočnim štitnicima ili sigurnosne naočare kad rukujete ovim proizvodom. Nosite masku za lice ili masku za prašinu na prašnjavim mestima. Nosite prikladnu odeću i obuću tokom rada da biste smanjili rizik od povrede koju može da izazove leteći otpad.

- Temeljno pregledajte da li proizvod ima oštećenja pre korišćenja. Ne koristite proizvod ako je oštećen ili pokazuje habanje.
- Vodite računa da na travnjaku nema kamenja, štapova, žica ili drugih predmeta koji bi mogli da oštete proizvod.
- Pokosite travnjak pre rada i nadubrite posle.

Saveti za rukovanje

Da bi se zdrav travnjak razvio u proleće, neophodno je da veće količine vazduha uđu u područje oko korenja trave.

Preporučujemo prozračivanje travnjaka najmanje dvaput svake godine, tokom proleća ili jeseni u zavisnosti od stanja travnjaka.

- Zbog vaše bezbednosti, ne radite na nagibima većim od 15 stepeni. Radite popreko kosine nagiba, ne gore i dole. Budite krajnje oprezni kad menjate smer na nagibima.
- Ne radite ovim proizvodom na mokrom travnjaku jer mokra trava ima tendenciju lepljenja na platformu i zube a mogla bi da izazove i da se okliznete i padnete.
- Držite proizvod koristeći obe ruke. Održavajte drške suvim da biste osigurali sigurnu potporu.
- Polako gurajte proizvod unapred. Pomerajte proizvod prikladnom brzinom. Ne pomerajte ga prebrzo da biste sprečili da se zubi zaglave i izazovu preopterećenje motora.
- Odmah isključite proizvod ako drugi ljudi uđu u radno područje. Uvek sačekajte da se proizvod potpuno zaustavi pre no što ga spustite.
- Ne preterujte s radom. Pravite redovne pauze da biste osigurali da možete da se skoncentrišete na rad i da imate potpunu kontrolu nad mašinom.
- Radite u redovima koji se malo preklapaju. Najefikasniji šablon je ravne linije duž jedne od strana (slika C). To će održati redove ravnomernim i osigurati da ceo travnjak bude prozračen bez propuštenih mesta.
- Budite naročito pažljivi kad menjate smer.
- Uvek vodite računa o položaju nogu. Klizanje i padanje mogu da izazovu ozbiljnu telesnu povredu. Ako osećate da gubite ravnotežu, odmah isključite motor.
- Ne radite blizu litica, jaraka ili nasipa; mogli biste da izgubite uporište ili ravnotežu.

Za startovanje/stopiranje nastavka prozračivača

Pogledajte odeljak „**STARTOVANJE/STOPIRANJE POGONSKE GLAVE**“ u priručniku za rukovaoca za PH1400E/PH1420E/PHX1600.

⚠ UPOZORENJE: Zaustavite mašinu ako treba da je nagnete radi transporta kad prelazite preko površina koje nisu travnate, te kad transportujete mašinu do i od površine na kojoj treba da je koristite.

⚠ UPOZORENJE: Ne nagnite mašinu dok uključujete motor, osim ako mašina mora biti nagnuta za startovanje. U tom slučaju, ne nagnite više nego što je apsolutno neophodno i podignite samo onaj deo koji je dalje od rukovaoca.

Provera blokiranja zuba

- Da biste sprečili blokiranje, očistite donji deo mašine

pre i posle svake upotrebe da biste uklonili nagomilani otpad.

- Kad dođe do blokiranja, stopirajte mašinu i izvadite akumulator a zatim uklonite svu nagomilanu travu i lišće na zubima i platformi ili oko njih. Obrišite mašinu vlažnom krpom.

PODEŠAVANJE DUBINE (slika D)

⚠ UPOZORENJE: Držite stopala dalje od platforme kad podešavate dubinu.

Dubina prozračivanja može da se postavi na 3 položaja dubine:

- 1 i 2: radni položaj
- 3: transportni položaj

Podesite dubinu u zavisnosti od potreba travnjaka.

1. Isključite mašinu i sačekajte da se mašina potpuno zaustavi.
2. Izvadite akumulator.
3. Izvucite polugu za podešavanje dubine iz blokade i postavite je u željeni položaj.

| | | | |
|-----|------------------------------|-----|----------------|
| D-1 | Poluga za podešavanje dubine | D-2 | Položaj dubine |
|-----|------------------------------|-----|----------------|

ODRŽAVANJE

⚠ UPOZORENJE: Pre pregledanja, čišćenja ili servisiranja mašine, zaustavite motor, sačekajte da se svi pokretni delovi zaustave i izvadite bateriju. Zanemarivanje ovih uputstava može da rezultira teškim povredama ili materijalnom štetom.

⚠ UPOZORENJE: Uvek nosite zaštitne naočare sa bočnim štitičnicima. Nepostupanje u skladu sa tim može da rezultira odbacivanjem predmeta u oči koji rezultuju mogućim teškim povredama.

⚠ UPOZORENJE: Kada obavljate radove servisiranja, upotrebljavajte samo identične zamenske delove. Upotreba bilo kakvih drugih delova može da dovede do opasnosti ili da izazove oštećenje proizvoda. Da bi se osigurala sigurnost i pouzdanost, sve popravke, osim stavki navedenih u ovom uputstvu za održavanje, treba da radi kvalifikovani servisni tehničar.

⚠ UPOZORENJE: Posle nalaženja na strani predmet zaustavite mašinu i izvadite bateriju da biste osigurali da su se svi pokretni delovi potpuno zaustavili. Zatim pregledajte da li na mašini ima oštećenja i popravite ih pre ponovnog startovanja i rukovanja mašinom.

⚠ UPOZORENJE: Ako mašina počne abnormalno da vibrira, stopirajte mašinu i izvadite bateriju da biste osigurali da su se svi pokretni delovi potpuno zaustavili. Odmah zatim pregledajte da li ima oštećenja, zamenite ili popravite oštećene delove i proverite da li ima labavih delova i zategnite ih.

⚠ UPOZORENJE: Budite pažljivi tokom podešavanja proizvoda da biste sprečili zarobljavanje prstiju između pokretnih delova i fiksni delova proizvoda.

ČIŠĆENJE

⚠ UPOZORENJE: Kad čistite dodatak prozračivača, NE potapajte ga u vodu ili druge tečnosti.

Izbegavajte korišćenje rastvarača kada čistite plastične delove. Većina plastike je podložna oštećenjima od raznih tipova komercijalnih rastvarača i može se oštetiti njihovom upotrebom. Za uklanjanje prljavštine, prašine, ulja, masti i sl. upotrebljavajte čiste krpe.

LUBRIKACIJA

Svi ležajevi u ovom proizvodu su podmazani dovoljnom količinom visokokvalitetnog lubrikanta za ceo radni vek jedinice u normalnim uslovima rukovanja. Stoga nije potrebno dodatno podmazivanje ležajeva.

ZAMENA CILINDRA

⚠ UPOZORENJE: Pre vršenja bilo kakvog održavanja uvek izvadite akumulator iz mašine i sačekajte dok se cilindar sa zubima potpuno ne zaustavi. Nosite zaštitne rukavice kad rukujete zubima.

Za uklanjanje cilindra

1. Izvadite bateriju iz pogonske glave.
2. Položite nastavak naopako na ravnu, stabilnu površinu.
3. Pomoću priloženog 5 mm inbus ključa olabavite i uklonite dva zavrtnja za zaključavanje na ležištu ležaja na cilindru prozračivača (slika E1).
4. Gurnite cilindar prozračivača nalevo dok vratilo vretena na desnom kraju ne bude izvučeno iz čvorišta vretena na mašini (slika E2).
5. Uklonite cilindar prozračivača sa mašine (slika E3).

| | | | |
|------|-----------------|------|-----------------------|
| E1-1 | Ležište ležaja | E1-2 | Cilindar prozračivača |
| E2-1 | Vratilo vretena | E2-2 | Čvorište vretena |

Za instalaciju novog cilindra

1. Postavite ležište ležaja novog cilindra na bazu mašine i gurnite cilindar nalevo do kraja (slika F1).
2. Poravnajte i umetnite vratilo vretena na desnoj strani cilindra u čvorište vretena na mašini (slika F2).
3. Poravnajte dve rupe na ležištu ležaja sa rupama na bazi pa učvrstite ležište ležaja na bazu zavrtnjima za zaključavanje (slika F3).

ZAMENA ZUBA GRABLJI

Tokom normalne upotrebe, zubi grablji mogu da se pohabaju ili polome tokom vremena. Kad vam podešavanje dubine zuba više ne daje pravilnu količinu prozračivanja ili ako se neki zub polomi, pratite korake ispod da zamenite zube.

Za uklanjanje zuba

1. Izvadite bateriju iz pogonske glave.
2. Položite nastavak naopako na ravnu, stabilnu površinu.
3. Gurnite dva osigurača zuba grablji u prorez 1 na cilindru pa svucite zub grablji sa cilindra prozračivača kako je prikazano na slici G.

| | | | |
|-----|----------|-----|----------|
| G-1 | Osigurač | G-2 | Prorez 1 |
|-----|----------|-----|----------|

Za instalaciju zuba grablji (slika H)

1. Umetnite osigurač zuba grablji u prorez 1 na cilindru (korak 1).
2. Umetnite ležište zuba grablji u prorez 2 na cilindru (korak 2).
3. Uvedite dva osigurača zuba u prorez 1 i gurnite unapred do položaja kod proreza 3 pa će dva osigurača automatski odskočiti na svoje mesto (korak 3 i 4).

| | | | |
|-----|----------|-----|----------|
| H-1 | Osigurač | H-2 | Prorez 1 |
| H-3 | Prorez 2 | H-4 | Prorez 3 |

TRANSPORTOVANJE I SKLADIŠTENJE

- Izvadite bateriju iz pogonske glave.
- Uvek ostavite proizvod da se ohladi pre nego što ga uskladištite.
- Temeljno očistite proizvod pre no što ga uskladištite.
- Skladištite proizvod na suvom, dobro provetrenom mestu, zaključan ili na visini, van domašaja dece. Ne skladištite proizvod na ili pored đubriva, benzina ili drugih hemikalija.

ZAŠTITA ŽIVOTNE SREDINE



Ne odlažite električnu opremu, potrošene baterije i punjače u kućni otpad! Odnesite ovaj proizvod u ovlašćeni pogon za reciklažu ili ga odvojite od ostalog smeća radi zasebnog prikupljanja. Električne mašine moraju se odneti u ekološki prihvatljiv pogon za reciklažu.

REŠAVANJE PROBLEMA

| PROBLEM | UZROK | REŠENJE |
|-------------------------------------------------------------|----------------------------------------------------------------------------------------------------------------------------------------------------------------------------------------------------------------------------|--------------------------------------------------------------------------------------------------------------------------------------------------------------------------------------------------------------------------------------------------------------|
| Motor ne startuje | <ul style="list-style-type: none"> ■ Napunjenost baterije je potrošena. ■ Dugme za zaključavanje ili okidač nisu korišćeni pravilno. ■ Baterija nije potpuno umetnuta u port za bateriju. | <ul style="list-style-type: none"> ■ Napunite bateriju. ■ Pratite odeljak „STARTOVANJE/STOPIRANJE POGONSKE GLAVE“ u priručniku za pogonsku glavu. ■ Proverite da li je baterija potpuno umetnuta u port za bateriju. |
| Mašina proizvodi abnormalne zvuke. | <ul style="list-style-type: none"> ■ Otpad ili strani predmet ometa zube mašine. | <ul style="list-style-type: none"> ■ Stopirajte motor i izvadite akumulator pa uklonite otpad ili strane predmete koji sprečavaju pravilan rad mašine. |
| Mašina ne radi pravilno ili rezultati nisu zadovoljavajući. | <ul style="list-style-type: none"> ■ Trava je previsoka. | <ul style="list-style-type: none"> ■ Pokosite travnjak pre prozračivanja. |
| | <ul style="list-style-type: none"> ■ Mokri otpad se lepi za donju stranu platforme. | <ul style="list-style-type: none"> ■ Sačekajte dok se travnjak ne osuši, pre prozračivanja. |
| | <ul style="list-style-type: none"> ■ Dubina je postavljena na pogrešnu postavku. | <ul style="list-style-type: none"> ■ Podesite dubinu zuba da biste postigli željeni rezultat. |
| | <ul style="list-style-type: none"> ■ Zubi su pohabani ili oštećeni. | <ul style="list-style-type: none"> ■ Zamenite zube po potrebi. |

GARANCIJA

EGO POLITIKA GARANCIJE

Posetite veb-lokaciju egopowerplus.eu za potpune uslove i odredbe EGO politike garancije.

PROČITAJTE UPUTSTVO U CIJELOSTI!



PROČITAJTE KORISNIČKI PRIRUČNIK.

SIGURNOSNI SIMBOLI

Svrha sigurnosnih simbola je skretanje pažnje na moguće opasnosti. Sigurnosni simboli i njihova objašnjenja zahtijevaju vašu potpunu pažnju i razumijevanje. Simboli upozorenja sami po sebi ne isključuju opasnost. Uputstva i upozorenja koja simboli pružaju nisu zamjena za propisne mjere za prevenciju nesreća.

⚠ UPOZORENJE! Prije upotrebe ove mašine pobrinite se da sva sigurnosna uputstva u ovom korisničkom priručniku, uključujući sve sigurnosne simbole kao što su "OPASNOST", "UPOZORENJE" i "OPREZ" pročitate s razumijevanjem. Zanemarivanje svih uputstava navedenih u nastavku može rezultirati strujnim udarom, požarom i/ili teškim tjelesnim povredama.

ZNAČENJE SIMBOLA

⚠ SIGURNOSNI SIMBOL UPOZORENJA: ukazuje na **OPASNOST**, **UPOZORENJE** ili **OPREZ**. Može se upotrebljavati u kombinaciji s drugim simbolima ili piktogramima.



⚠ UPOZORENJE! Rukovanje mašinama može rezultirati odbacivanjem stranih predmeta u oči, što opet može izazvati teška oštećenja očiju. Prije početka rukovanja mašinom uvijek nosite zatvorene zaštitne naočale

ili zaštitne naočale s bočnim štitnicima, a prema potrebi i štitnik za cijelo lice. Preporučujemo nošenje sigurnosne maske proizvođača Wide Vision preko naočala ili nošenje standardnih zaštitnih naočala s bočnim štitnicima.

SIGURNOSNA UPUTSTVA

Na ovoj stranici slikovno su prikazani i objašnjeni sigurnosni simboli koji se mogu pojaviti na ovom proizvodu. Prije pokušaja sastavljanja i rukovanja, s razumijevanjem pročitate sva uputstva na proizvodu i pridržavajte ih se.

| | | |
|--|-----------------------------------------------------------------------|------------------------------------------------------------------------------------------------------------------------------------------------|
| | Simbol upozorenja | Ukazuje na potencijalnu opasnost od tjelesnih povreda. |
| | S razumijevanjem pročitajte korisnički priručnik. | Radi smanjenja opasnosti od povreda, prije upotrebe ovog proizvoda korisnik treba s razumijevanjem pročitati ovaj korisnički priručnik. |
| | Nosite zaštitu za oči | Kada upotrebljavate ovaj proizvod, uvijek nosite zatvorene zaštitne naočale ili zaštitne naočale s bočnim štitnicima i štitnik za cijelo lice. |
| | UPOZORENJE – Čuvajte se odbačenih predmeta i udaljite prisutne osobe. | Upozorava korisnika da se čuva odbačenih predmeta i da udalji prisutne osobe. |
| | OPASNOST – Držite podalje šake i stopala. | Upozorava korisnike da šake i stopala drže podalje. |
| | UPOZORENJE – Šake i stopala držite podalje od zubaca. | Upozorava korisnika da šake i stopala drži podalje od zubaca. |
| | CE | Ovaj proizvod je u skladu s primjenjivim direktivama EU. |
| | UKCA | Ovaj proizvod je u skladu s važećim zakonodavstvom Velike Britanije. |
| | WEEE | Otpadni električni proizvodi ne smiju se odlagati s otpadom iz domaćinstva. Odnosite ih u ovlaštenu centar za reciklažu. |
| | Buka | Zagarantovani nivo zvučne snage. Emisija buke u okruženju u skladu je s Direktivom Evropske unije. |

| | | |
|-------------------|-----------------------------------------|-----------------------------------------------------------|
| V | Volt | Napon |
| | Istosmjerna struja (DC) | Vrsta ili karakteristike struje |
| mm | Milimetar | Dužina ili dimenzija |
| kg | Kilogram | Masa |
| min | Minute | Vrijeme |
| n_0 | Brzina vrtnje bez opterećenja | Brzina vrtnje, bez opterećenja |
| Min^{-1} | Broj okretaja ili recipročnost u minuti | Okretaji, hodovi, površinska brzina, orbite itd. u minuti |
| o/min | Okretaji u minuti | Brzina vrtnje |
| °C | Stepen Celzija | Temperatura |

⚠ UPOZORENJE! Radi osiguranja sigurnosti i pouzdanosti, sve popravke treba obavljati kvalifikovani servisni tehničar.

OPĆA SIGURNOSNA UPOZORENJA ZA MAŠINE NA BATERIJSKI POGON

⚠ UPOZORENJE! PROČITAJTE SVA SIGURNOSNA UPOZORENJA, UPUTSTVA, SVE ILUSTRACIJE I SPECIFIKACIJE ISPORUČENE S OVOM MAŠINOM. Zanemarivanje svih uputstava navedenih u nastavku može rezultirati strujnim udarom, požarom i/ili teškim povredama.

SAČUVAJTE SVA UPOZORENJA I UPUTSTVA ZA BUDUĆE POTREBE.

Pojam "mašina" u upozorenjima odnosi se na vašu mašinu na strujni pogon (s kablom) ili mašinu na baterijski pogon (bez kabla).

SIGURNOST RADNOG PODRUČJA

- Radno područje održavajte čistim i dobro osvijetljenim. Pretropana ili mračna područja izazivaju nesreće.
- Mašine nemojte upotrebljavati u eksplozivnim atmosferama, kao na primjer u prisutnosti zapaljivih tekućina, benzina ili prašine. Mašine stvaraju iskre koje mogu zapaliti prašinu ili isparenja.

- Djecu i druge prisutne osobe držite podalje tokom rada mašine. Ometanja mogu rezultirati gubitkom kontrole nad mašinom.

ELEKTRIČNA SIGURNOST

- Utikači mašine moraju odgovarati utičnici. Nemojte modifikovati utikač ni na koji način. Nemojte upotrebljavati utikače adaptera s uzemljenim mašinama. Nemodifikovani utikači i odgovarajuće utičnice umanjit će rizik od strujnog udara.
- Izbjegavajte kontakt tijela s uzemljenim površinama, kao što su slavine, radiatori, peći i frižideri. Postoji povećan rizik od strujnog udara ako je vaše tijelo uzemljeno.
- Mašinu nemojte upotrebljavati na kiši ili u mokrim uslovima. To može povećati rizik od strujnog udara.
- Nemojte nepropisno upotrebljavati kabel. Kabel nemojte nikada upotrebljavati za nošenje, povlačenje ili isključivanje mašine iz strujnog napajanja. Kabel držite podalje od topline, ulja, oštih rubova ili pokretnih dijelova. Oštećeni ili isprepletani kabeli povećavaju rizik od strujnog udara.
- Kada mašinom radite na otvorenom, upotrebljavajte produžni kabel prikladan za upotrebu na otvorenom. Upotrebom kabla prikladnog za upotrebu na otvorenom smanjuje se rizik od strujnog udara.
- Ako je rad s mašinom u vlažnom području neizbježan, upotrebljavajte napajanje sa zaštitnim uređajem diferencijalne struje (ZUDS). Upotrebom zaštitnog uređaja diferencijalne struje smanjuje se rizik od strujnog udara.

LIČNA SIGURNOST

- Budite oprezni, gledajte šta radite i koristite se uobičajenim osjećajem kada upotrebljavate mašinu. Nemojte upotrebljavati mašinu kada ste umorni ili pod uticajem opojnih sredstava, alkohola ili lijekova. Trenutak nepažnje tokom rada mašina može rezultirati teškim tjelesnim povredama.
- Upotrebljavajte ličnu zaštitnu opremu. Uvijek nosite zaštitu za oči. Zaštitna oprema poput maske za zaštitu od prašine, neklizajuće sigurnosne obuće, kacige ili zaštite za sluh upotrijebljena za odgovarajuće uslove smanjit će tjelesne povrede.
- Sprječite nenamjerno pokretanje. Prije spajanja na izvor napajanja i/ili komplet baterija, uzimanja ili nošenja mašine uvjerite se da se prekidač nalazi u isključenom položaju. Nošenje mašina s prstom na prekidaču ili napajanje mašina koje imaju uključen prekidač izaziva nesreće.
- Prije uključivanja mašine uklonite sve ključeve za

podešavanje ili nasadne ključeve. Nasadni ključ ili ključ za podešavanje ostavljen pričvršćen na rotacijski dio mašine može rezultirati tjelesnim povredama.

- **Nemojte se previše naginjati prema naprijed.** Cijelo vrijeme održavajte propisno držanje i ravnotežu. To će omogućiti bolju kontrolu nad mašinom u neočekivanim situacijama.
- **Obucite se prikladno. Nemojte nositi široku odjeću ili nakit.** Kosu i odjeću uvijek držite podalje od dijelova koji se kreću. Dijelovi koji se kreću mogu zahvatiti široku odjeću, nakit ili dugu kosu.
- **Ako su uređaji namijenjeni za spajanje sistema za izvlačenje i sakupljanje prašine, pobrinite se da se propisno spoje i upotrebljavaju.** Upotrebom uređaja za sakupljanje prašine mogu se smanjiti opasnosti koje se odnose na prašinu.
- **Nemojte dozvoliti da vas poznavanje mašina stečeno čestom upotrebom učini samodopadnim pa da zanemarite sigurnosne principe za mašinu.** Nemarne radnje u djeliću sekunde mogu rezultirati teškim povredama.

UPOTREBA I NJEGA MAŠINE

- **Izbjegavajte preveliko opterećenje mašine.** Upotrebljavajte pravilnu mašinu za svoju primjenu. Pravilna mašina bolje će i sigurnije odraditi posao pri brzini za koju je predviđena.
- **Nemojte upotrebljavati mašinu ako se ne uključuje i ne isključuje putem prekidača.** Svaka mašina koja se ne može kontrolisati prekidačem opasna je i potrebno ju je popraviti.
- **Prije obavljanja podešavanja, zamjene dodatne opreme ili skladištenja mašine isključite utikač iz izvora napajanja i/ili komplet baterija iz mašine, ako je odvojiv.** Takve preventivne sigurnosne mjere smanjuju rizik od iznenadnog pokretanja mašine.
- **Nekorištene mašine skladištite izvan dohvata djece i nemojte dozvoliti da osobe koje ne poznaju mašinu ili ova uputstva upotrebljavaju mašinu.** Mašine su opasne u rukama neobučениh korisnika.
- **Održavajte mašine i dodatnu opremu.** Provjerite jesu li pokretni dijelovi centrirani ili spojeni, ima li polomljenih dijelova i postoji li stanje koje može uticati na rad mašine. Ako je oštećena, mašinu popravite prije upotrebe. Loše održavane mašine uzrok su mnogih nesreća.
- **Rezne mašine održavajte oštroma i čistima.** Propisno održavane rezne mašine s oštrom reznim rubovima manje će se zaglavljivati i lakše su za upravljanje.
- **Mašinu, dodatnu opremu i nastavke mašine,**

itd., upotrebljavajte u skladu s ovim uputstvima, uzimajući u obzir radne uslove i posao koji je potrebno obaviti. Upotreba mašine za radove drukčije od namjenskih može rezultirati opasnim situacijama.

- **Rukohvate i površine rukohvata održavajte suhim, čistim i očišćenim od ulja i masti.** Skliski rukohvati i skliske površine rukohvata onemogućuju sigurno rukovanje i upravljanje mašinom u neočekivanim situacijama.

UPOTREBA I NJEGA AKUMULATORSKIH MAŠINA

- **Punjenje obavljajte samo s punjačem kojeg je naveo proizvođač.** Punjač koji je prikladan za jedan tip kompleta baterija može stvoriti rizik od požara ako ga se upotrebljava s drugim kompletom baterija.
- **Mašine upotrebljavajte samo s izričito navedenim kompletima baterija.** Upotreba drugih kompleta baterija može izazvati rizik od povreda i požara.
- **Kada se komplet baterija ne upotrebljava, držite ga podalje od drugih metalnih predmeta poput spajalica za papir, kovanica, ključeva, eksera, vijaka ili drugih malih metalnih predmeta koji mogu međusobno spojiti kontakte.** Kratko spajanje baterijskih kontakata može uzrokovati opekotine ili požar.
- **U slučaju pogrešne upotrebe, baterija može izbaciti tekućinu; izbjegavajte kontakt.** Ako slučajno dođe do kontakta, odnosno mjesta isperite vodom. Ako tekućina dođe u kontakt s očima, dodatno potražite pomoć ljekara. Tekućina koju izbacila baterija može uzrokovati nadražaj kože ili opekotine.
- **Nemojte upotrebljavati oštećen ili modifikovan komplet baterija niti oštećenu ili modifikovanu mašinu.** Oštećene ili modifikovane baterije mogu pokazati nepredvidivo ponašanje koje može rezultirati požarom, eksplozijom ili rizikom od povreda.
- **Komplet baterija ili mašinu nemojte izlagati vatri ili previsokoj temperaturi.** Izlaganje vatri ili temperaturi višoj od 130 °C može uzrokovati eksploziju.
- **Pridržavajte se svih uputstava za punjenje i komplet baterija ili mašinu nemojte puniti izvan okvira opsega temperature navedenog u uputstvima.** Nepropisno punjenje ili punjenje pri temperaturama izvan okvira određenog opsega može oštetiti bateriju i povećati rizik od požara.

SERVISIRANJE

- **Servisiranje mašine prepustite kvalifikovanom osoblju za popravak koje upotrebljava samo identične zamjenske dijelove.** Time će se osigurati održavanje sigurnosti mašine.

- **Nemojte nikada servisirati oštećene kompletne baterija.** Servisiranje kompleta baterija smiju obavljati samo proizvođač ili ovlašteni serviseri.

SIGURNOSNA UPOZORENJA ZA PROZRAČIVAČ

- **Mašinu nemojte upotrebljavati u lošim vremenskim uslovima, a posebno kada postoji opasnost od grmljavine.** Time ćete smanjiti rizik od udara groma.
- **Detaljno pregledajte ima li divljih životinja u području u kojem ćete upotrebljavati mašinu.** Mašina tokom rada može povrijediti divlje životinje.
- **Detaljno pregledajte područje u kojem ćete upotrebljavati mašinu i uklonite sve kamenje, štapove, žice, kosti i druge strane predmete.** Odbačeni predmeti mogu nanijeti tjelesne povrede.
- **Prije upotrebe mašine uvijek vizuelno pregledajte jesu li zupci i sklop zubaca istrošeni ili oštećeni.** Istrošeni ili oštećeni dijelovi povećavaju rizik od povreda.
- **Držite štitnike na njihovom mjestu. Štitnici moraju biti funkcionalni i ispravno postavljeni.** Labav i oštećen štitnik ili štitnik koji nepravilno funkcioniše može uzrokovati tjelesne povrede.
- **Sve ulazne otvore zraka za hlađenje održavajte očišćenim od nečistoća.** Začepljeni ulazni otvori za zrak i naslage mogu uzrokovati pregrijavanje ili rizik od požara.
- **Kada upotrebljavate mašinu, uvijek nosite zaštitnu obuću koja ne klizi. Mašinu nemojte upotrebljavati kada ste bos ili kada nosite otvorenu obuću.** Time se smanjuje rizik od povreda stopala uslijed kontakta sa zupcima u pokretu.
- **Kada upotrebljavate mašinu, uvijek nosite duge hlače.** Izložena koža povećava vjerovatnoću povreda od odbačenih predmeta.
- **Mašinu nemojte upotrebljavati kada je trava mokra. Hodajte, nemojte nikada trčati.** Time se smanjuje rizik od klizanja i pada, što može rezultirati tjelesnim povredama.
- **Mašinu nemojte upotrebljavati na previše strmim nagibima.** Time se smanjuje rizik od gubitka kontrole, klizanja i pada, što može rezultirati tjelesnim povredama.
- **Kada radite na nagibima, uvijek vodite računa da imate sigurno uporište, uvijek radite poprečno, nikada uzbrdo ili nizbrdo, i budite veoma oprezni kada mijenjate smjer.** Time se smanjuje rizik od gubitka kontrole, klizanja i pada, što može rezultirati tjelesnim povredama.
- **Budite posebno oprezni kada mašinu pomičete**

unazad ili kada je vučete prema sebi. Uvijek budite svjesni svog okruženja. Time se smanjuje rizik od spoticanja tokom rada.

- **Mašinu držite samo za izolirane površine rukohvata jer zupci dotaknuti skrivene kabele.** Ako zupci dotaknu kabel pod naponom, postoji opasnost da izloženi metalni dijelovi mašine isto budu pod naponom, što za rukovoaca može predstavljati opasnost od strujnog udara.
- **Nemojte dodirivati zupce i druge opasne pokretne dijelove kada su u pokretu.** Time se smanjuje rizik od povreda pokretnim dijelovima.
- **Kada uklanjate zaglavljene materijal ili čistite mašinu, uvjerite se da su svi strujni prekidači isključeni i da je komplet baterija odvojen.** Neočekivani rad mašine može rezultirati teškim tjelesnim povredama.

DODATNA UPOZORENJA

- Proizvod upotrebljavajte samo s pogonskom jedinicom PH1400E/PH1420E/PHX1600 proizvođača EGO. **NAPOMENA!** Detaljne sigurnosne propise i uputstva za rukovanje potražite u korisničkom priručniku pogonske jedinice PH1400E/PH1420E/PHX1600 proizvođača EGO.

SAČUVAJTE OVA UPUTSTVA

TEHNIČKI PODACI

| | |
|-------------------------------------------|--------------------|
| Maksimalna radna širina | 355 mm |
| Brzina vrtnje bez opterećenja (s PH1420E) | Niska: 2600 o/min |
| | Visoka: 3000 o/min |
| Podešavanje dubine | 3 položaja |
| Dubina prozračivanja | 0 / 10 mm / 20 mm |
| Preporučena radna temperatura | 0 °C – 40 °C |
| Preporučena temperatura skladištenja | -20 °C – 70 °C |

| | | |
|---------------------------------------------------------------------------------------|------------------------------------------|--------------------------------------------|
| Izmjereni nivo zvučne snage L_{WA} | 88 dB(A) K=2 dB(A) (PH1400E) | |
| | 88,49 dB(A) K=0,81 dB(A) (PH1420E) | |
| | 90 dB(A) K=0,9 dB(A) (PHX1600) | |
| Nivo zvučnog pritiska kod uha rukovaoca L_{PA} | 82 dB(A) K=3 dB(A) (PH1400E) | |
| | 79,8 dB(A) K=3 dB(A) (PH1420E) | |
| | 82 dB(A) K=3 dB(A) (PHX1600) | |
| Zagarantovani nivo zvučne snage L_{WA} (izmjereno u skladu s Direktivom 2000/14/EZ) | 92 dB(A) | |
| Procjena vibracija a_n | Prednji pomoćni rukohvat | 2,35 m/s^2 K=1,5 m/s^2 (PH1400E) |
| | | 2,36 m/s^2 K=1,5 m/s^2 (PH1420E) |
| | | 2,63 m/s^2 K=1,5 m/s^2 (PHX1600) |
| | Rear handle | 2,66 m/s^2 K=1,5 m/s^2 (PH1400E) |
| | | 2,24 m/s^2 K=1,5 m/s^2 (PH1420E) |
| | | 1,74 m/s^2 K=1,5 m/s^2 (PHX1600) |
| Masa (s cilindrom prozračivača) | 7,4 kg | |

■ Gore navedeni parametri ispitani su i izmjereni za uređaj opremljen pogonskom jedinicom PH1400E/PH1420E/PHX1600.

■ Deklarisane ukupne vrijednosti vibracija izmjerene su u skladu sa standardnom metodom ispitivanja i mogu se primjenjivati za poređenje jednog alata s drugim.

■ Deklarisane ukupne vrijednosti vibracija mogu se primjenjivati i u preliminarnoj procjeni izloženosti.

⚠ UPOZORENJE! Emisija vibracija tokom aktualne upotrebe mašine može se razlikovati od deklarirane vrijednosti u kojoj se mašina upotrebljavala. Korisnik radi zaštite treba nositi rukavice i štitnike za uši u aktualnim uslovima upotrebe.

⚠ UPOZORENJE! Potrebno je uspostaviti sigurnosne mjere za zaštitu rukovaoca na osnovu procjene izloženosti u aktualnim uslovima upotrebe (uzimajući u obzir sve dijelove radnog ciklusa, kao što su vremena kada je mašina isključena i kada radi u praznom hodu, uz vrijeme okidanja).

OPIS

UPOZNAJTE SVOJ PRIKLJUČAK PROZRAČIVAČA (sl. A)

1. Krajnja kapica (2)
2. Držalo priključka
3. Donji poklopac
4. Točak
5. Sklop gornjeg poklopca
6. Ručica za podešavanje dubine
7. Štitnik deflektora
8. Šipka strugača
9. Inbus ključ 4 mm
10. Inbus ključ 5 mm
11. Zubac grablji
12. Cilindar prozračivača

SASTAVLJANJE

⚠ UPOZORENJE! Ako je bilo koji dio oštećen ili ako nedostaje, nemojte upotrebljavati ovaj proizvod dok ne zamijenite dijelove. Upotreba ovog proizvoda oštećenih dijelova ili dijelova koji nedostaju može rezultirati teškim tjelesnim povredama.

⚠ UPOZORENJE! Nemojte pokušavati da modifikujete ovaj proizvod ili da pravite pribor koji nije preporučeni za upotrebu s ovim proizvodom. Sve takve izmjene ili modifikacije predstavljaju nepropisnu upotrebu i mogu rezultirati opasnim stanjima koja mogu dovesti do mogućih teških tjelesnih povreda.

SPAJANJE DRŽALA PRIKLJUČKA NA SKLOP PROZRAČIVAČA (sl. B)

| | | | |
|-----|-------------------|-----|----------------|
| B-1 | Matični vijak M5 | B-4 | Rupa |
| B-2 | Matični vijak | B-5 | Rupa za vijak |
| B-3 | Držalo priključka | B-6 | Donji poklopac |

1. Položite sklop prozračivača naopako na stabilnu, ravnu površinu.
2. Uklonite krajnju kapicu s prednjeg kraja držala priključka.
3. Umetnite držalo priključka s rupom okrenutom prema gore u donji poklopac priključka dok se ne zaustavi. Poravnajte rupu za vijak u donjem poklopcu s rupom na držalu priključka.
4. Pričvrstite donji poklopac na držalo priključka matičnim vijkom M5 pomoću priloženog inbus ključa od 4 mm.
5. Inbus ključem čvrsto pritegnite dva prethodno postavljena matična vijka na donjem poklopcu.

⚠ UPOZORENJE! Prije rukovanja opremom uvjerite se da su tri matična vijka za potpuno pritegnuta; tokom upotrebe povremeno provjeravajte pritegnutost radi izbjegavanja teških tjelesnih povreda.

PRIKLJUČIVANJE PRIKLJUČKA PROZRAČIVAČA NA POGONSKU JEDINICU

Ovaj priključak prozračivača predviđen je za upotrebu s pogonskom jedinicom PH1400E/PH1420E/PHX1600 proizvođača EGO.

Pogledajte odjeljak "POSTAVLJANJE PRIKLJUČKA NA POGONSKU JEDINICU" u korisničkom priručniku pogonske jedinice PH1400E/PH1420E/PHX1600.

RAD

⚠ UPOZORENJE! Nemojte dozvoliti da vas poznavanje ovog proizvoda učini nepažljivim. Imajte na umu da je za nanošenje teških povreda dovoljan samo djelić sekunde nepažnje.

⚠ UPOZORENJE! Uvijek nosite zaštitu za oči. Nepostupanje u skladu s tim može rezultirati odbacivanjem predmeta u oči i drugim mogućim teškim povredama.

⚠ UPOZORENJE! Prije servisiranja, čišćenja, zamjene priključka ili uklanjanja materijala s proizvoda uklonite komplet baterija iz proizvoda da izbjegnute teške tjelesne povrede.

⚠ UPOZORENJE! Nemojte upotrebljavati priključke ili pribor koje nije preporučio proizvođač ovog proizvoda.

Upotreba nepreporučenih priključaka ili pribora može rezultirati teškim tjelesnim povredama.

PRIMJENE

S travnjaka uklonite stare, osušene ostatke od košnje, mahovinu, travu ili ostatke korijenja.

POKRETANJE/ZAUSTAVLJANJE PROZRAČIVAČA

Prije upotrebe prozračivača

⚠ UPOZORENJE! Radi izbjegavanja teških tjelesnih povreda, uvijek nosite zatvorene zaštitne naočale ili zaštitne naočale kada radite s ovim proizvodom. U prašnjavim područjima nosite zaštitnu masku za lice ili masku za zaštitu od prašine. Tokom rada nosite odgovarajuću odjeću i obuću da umanjite rizik od povreda koje mogu nastati uslijed letećih krotinja.

- Prije upotrebe detaljno pregledajte je li proizvod oštećen. Proizvod nemojte upotrebljavati ako je oštećen ili ako na njemu postoje znakovi istrošenosti.
- Uvjerite se da na travnjaku nema kamenja, štapova, žica ili drugih predmeta koji bi mogli oštetiti proizvod.
- Prije rada travnjak pokosite, a zatim ga pođubrite.

Savjeti za rad

Za razvoj zdravog travnjaka u proljeće potrebno je da u područje oko korijena trave prodre veća količina zraka. Preporučujemo da travnjak prozračujete najmanje dva puta godišnje, u proljeće ili jesen, zavisno od stanja travnjaka.

- Radi vaše sigurnosti, nemojte raditi na padinama s nagibom većim od 15 stepeni. Radite poprečno, a ne gore-dolje. Budite izuzetno oprezni kada mijenjate smjer na padinama.
- Ovaj proizvod nemojte upotrebljavati na mokrom travnjaku jer se mokra trava lijepi za trup i zupce, što može uzrokovati da se okliznete i padnete.
- Držite proizvod objema rukama. Držite ručke suhima kako biste osigurali sigurno držanje.
- Polako gurnite proizvod naprijed. Pomičite proizvod odgovarajućom brzinom. Proizvod ne pomičite prebrzo da izbjegnute zaglavljivanje zubaca i preopterećenje motora.
- Proizvod odmah isključite ako druge osobe uđu u radno područje. Uvijek sačekajte da se proizvod potpuno zaustavi prije nego što ga odložite.
- Nemojte se preopterećivati. Pravite redovne pauze kako biste se mogli skoncentrisati na svoj posao i imati potpunu kontrolu nad mašinom.
- Radite u redovima koji se malo preklapaju. Najefikasniji obrazac su ravne linije duž jedne od strana (sl. C).

BS

Time se redovi održavaju ravnima i osigurava da cijeli travnjak bude prozračen bez propuštanja ijednog mjesta.

- Budite posebno oprezni prilikom promjene smjera.
- Uvijek vodite računa da imate čvrst oslonac. Sklizavanje i pad mogu uzrokovati teške tjelesne povrede. Ako osjećate da gubite ravnotežu, odmah ugasisite motor.
- Nemojte raditi blizu strmih padina, jaraka ili nasipa jer biste mogli izgubiti oslonac ili ravnotežu.

Pokretanje/zaustavljanje priključka prozračivača

Pogledajte odjeljak "POKRETANJE/ZAUSTAVLJANJE POGONSKE JEDINICE" u korisničkom priručniku pogonske jedinice PH1400E/PH1420E /PHX1600.

⚠ UPOZORENJE! Zaustavite mašinu ako ju je potrebno nagnuti radi premještanja pri prelasku preko površina koje nisu trava i pri premještanju na područje i s područja koje treba obraditi.

⚠ UPOZORENJE! Nemojte naginjati mašinu prilikom uključivanja motora, osim u slučaju ako je mašinu potrebno nagnuti za pokretanje. U tom slučaju mašinu nemojte naginjati više nego što je potrebno i podignite samo onaj dio koji je podalje od rukovaoca.

Provjera zaglavljenosti zubaca

- Očistite donju stranu mašine prije i nakon svake upotrebe i uklonite sve nakupljene ostatke kako biste izbjegli zaglavljivanje zubaca.
- Ako se zupci zaglave, zaustavite mašinu i izvadite komplet baterija. Zatim uklonite nakupine trave i lišća na zupcima ili oko zubaca i trupa. Mašinu obrišite vlažnom krpom.

PODEŠAVANJE DUBINE (sl. D)

⚠ UPOZORENJE! Prilikom podešavanja dubine držite stopala podalje od trupa.

Dubina prozračivanja može se podesiti u 3 položaja dubine:

- 1 i 2: radni položaj
- 3: položaj za transport

Dubinu podesite prema potrebama vašeg travnjaka.

1. Isključite mašinu i pričekajte da se potpuno zaustavi.
2. Izvadite komplet baterija.
3. Povucite ručicu za podešavanje dubine iz položaja i postavite je u željeni položaj.

BS

| | | | |
|-----|------------------------------|-----|----------------|
| D-1 | Ručica za podešavanje dubine | D-2 | Položaj dubine |
|-----|------------------------------|-----|----------------|

ODRŽAVANJE

⚠ UPOZORENJE! Prije pregleda, čišćenja ili servisiranja mašine, zaustavite motor, pričekajte da se svi pokretni dijelovi zaustave i izvadite komplet baterija. Nepostupanje prema ovim uputstvima može rezultirati teškim povredama ili materijalnom štetom.

⚠ UPOZORENJE! Uvijek nosite zaštitne naočale s bočnim štitnicima. Nepostupanje u skladu s tim može rezultirati odbacivanjem predmeta u oči i drugim mogućim teškim povredama.

⚠ UPOZORENJE! Kada obavljate radove servisiranja, upotrebljavajte samo identične zamjenske dijelove. Upotreba drugih dijelova može uzrokovati opasnost ili oštećenje proizvoda. Radi osiguranja sigurnosti i pouzdanosti, sve popravke drukčije od navedenih u ovim uputstvima za održavanje treba obavljati kvalifikovani servisni tehničar.

⚠ UPOZORENJE! Nakon udaranja o strani predmet, zaustavite mašinu, izvadite komplet baterija i uvjerite se da su se svi pokretni dijelovi potpuno zaustavili. Zatim pregledajte da li je mašina oštećena i obavite popravak prije ponovnog pokretanja i upotrebe mašine.

⚠ UPOZORENJE! Ako mašina počne neobičajeno vibrirati, zaustavite je, izvadite komplet baterija i uvjerite se da su se svi pokretni dijelovi potpuno zaustavili. Zatim odmah pregledajte ima li oštećenja, zamijenite ili popravite oštećene dijelove, provjerite jesu li otpušteni i pritegnite otpuštene dijelove.

⚠ UPOZORENJE! Prilikom podešavanja proizvoda pazite da vam prsti ne budu uhvaćeni između pokretnih dijelova i fiksni dijelova proizvoda.

ČIŠĆENJE

⚠ UPOZORENJE! Kada čistite priključak prozračivača, NEMOJTE ga uranjati u vodu ili druge tekućine.

Kada čistite plastične dijelove, izbjegavajte upotrebljavati rastvore. Mnoge plastike mogu se oštetiti različitim vrstama komercijalnih rastvora i mogu se oštetiti njihovom upotrebom. Za uklanjanje prljavštine, prašine, ulja, masti i sl. upotrebljavajte čiste krpe.

PODMAZIVANJE

Svi ležajevi u ovom proizvodu podmazani su dovoljnom količinom maziva visoke kvalitete za cijeli radni vijek jedinice u normalnim radnim uslovima. Stoga nije potrebno dodatno podmazivanje ležajeva.

ZAMJENA CILINDRA

⚠ UPOZORENJE! Prije radova održavanja uvijek

izvadite komplet baterija iz mašine i pričekajte da se cilindar zubaca potpuno zaustavi. Kada rukujete zupcima, uvijek nosite zaštitne rukavice.

Uklanjanje cilindra

1. Izvadite komplet baterija iz pogonske jedinice.
2. Položite priključak naopako na stabilnu, ravnu površinu.
3. Isporučenim inbus ključem od 5 mm otpustite i uklonite dva sigurnosna matična vijka na sjedištu ležaja cilindra prozračivača (sl. E1).
4. Gurajte cilindar prozračivača ulijevo dok se žljebasta osovinica na desnom kraju ne izvuče iz nazubljene glavčine mašine (sl. E2).
5. Uklonite cilindar prozračivača iz mašine (sl. E3).

| | | | |
|------|-------------------|------|-----------------------|
| E1-1 | Sjedište ležaja | E1-2 | Cilindar prozračivača |
| E2-1 | Osovinica vretena | E2-2 | Glavčina vretena |

Postavljanje novog cilindra

1. Postavite sjedište ležaja novog cilindra na postolje mašine i gurnite cilindar ulijevo dok se ne zaustavi (sl. F1).
2. Poravnajte žljebastu osovinu na desnoj strani cilindra i umetnite je u nazubljenu glavčinu mašine (sl. F2).
3. Poravnajte dvije rupe na sjedištu ležaja s rupama na postolju i pričvrstite sjedište ležaja na postolje pomoću sigurnosnih matičnih vijaka (sl. F3).

ZAMJENA ZUBACA GRABLJI

Zupci grablji mogu se s vremenom istrošiti ili slomiti i kada se mašina normalno upotrebljava. Kada podešavanje dubine zubaca više ne pruža odgovarajuće prozračivanje ili ako se zupci slome, za zamjenu zubaca provedite sljedeće korake.

Uklanjanje zupca

1. Izvadite komplet baterija iz pogonske jedinice.
2. Položite priključak naopako na stabilnu, ravnu površinu.
3. Gurnite dvije osovinice zupca grablji u utor 1 na cilindru i zubac grablji povucite s cilindra prozračivača kako je prikazano na sl. G.

| | | | |
|-----|-----------|-----|--------|
| G-1 | Osovinica | G-2 | Utor 1 |
|-----|-----------|-----|--------|

Postavljanje zupca grablji (sl. H)

1. Umetnite osovinicu zupca grablji u utor 1 na cilindru (korak 1).
2. Umetnite ležište zupca grablji u utor 2 na cilindru (korak 2).
3. Usmjerite dvije osovinice zupca u utor 1, gurnite ih naprijed do položaja u utoru 3 i dvije će se osovinice automatski vratiti na svoje mjesto (koraci 3 i 4).

| | | | |
|-----|-----------|-----|--------|
| H-1 | Osovinica | H-2 | Utor 1 |
| H-3 | Utor 2 | H-4 | Utor 3 |

TRANSPORT I SKLADIŠTENJE

- Izvadite komplet baterija iz pogonske jedinice.
- Prije skladištenja uvijek pričekajte da se proizvod ohladi.
- Proizvod dobro očistite prije skladištenja.
- Proizvod skladištite na suhom, dobro prozračenom mjestu koje je moguće zaključati ili koje je na visini, izvan dohvata djece. Proizvod nemojte skladištiti na gnojivima, benzinu ili drugim hemikalijama niti u njihovoj blizini.

ZAŠTITA ŽIVOTNE SREDINE



Električnu opremu, iskorištenu bateriju i punjač ne odlažite u kućni otpad! Ovaj proizvod odnesite u ovlaštenu centar za reciklažu i time omogućite odvojeno sakupljanje. Električne mašine je potrebno vratiti u ekološki prihvatljiv pogon za reciklažu.

RJEŠAVANJE PROBLEMA

| PROBLEM | UZROK | RJEŠENJE |
|-------------------------------------------------------------|---------------------------------------------------------------------------------------------------------------------------------------------------------------------------------------------------------------------------------------|----------------------------------------------------------------------------------------------------------------------------------------------------------------------------------------------------------------------------------------------------------------------------------------------------|
| Motor se ne pokreće. | <ul style="list-style-type: none"> ■ Komplet baterija je ispražnjen. ■ Dugme za deblokadu ili okidač nisu propisno upotrijebljeni. ■ Komplet baterija nije potpuno umetnut u priključak za bateriju. | <ul style="list-style-type: none"> ■ Napunite komplet baterija. ■ Pridržavajte se uputa iz odjeljka "POKRETANJE/ZAUSTAVLJANJE POGONSKE JEDINICE" u priručniku za pogonsku jedinicu. ■ Provjerite je li komplet baterija potpuno umetnut u priključak za bateriju. |
| Mašina proizvodi neuobičajene zvukove. | <ul style="list-style-type: none"> ■ Ostaci ili strani predmeti blokiraju zupce mašine. | <ul style="list-style-type: none"> ■ Zaustavite motor, izvadite komplet baterija i uklonite sve ostatke ili strane predmete koji mogu ometati ispravan rad mašine. |
| Mašina ne radi pravilno ili rezultati nisu zadovoljavajući. | <ul style="list-style-type: none"> ■ Trava je previsoka. | <ul style="list-style-type: none"> ■ Pokosite travnjak prije prozračivanja. |
| | <ul style="list-style-type: none"> ■ Mokri ostaci lijepe se za donju stranu trupa. | <ul style="list-style-type: none"> ■ Prije prozračivanja pričekajte da se travnjak osuši. |
| | <ul style="list-style-type: none"> ■ Dubina je pogrešno postavljena. | <ul style="list-style-type: none"> ■ Za postizanje željenih rezultata podesite dubinu zubaca. |
| | <ul style="list-style-type: none"> ■ Zupci su istrošeni ili oštećeni. | <ul style="list-style-type: none"> ■ Zamijenite zupce ako je potrebno. |

GARANCIJA

POLITIKA GARANCIJE PROIZVOĐAČA EGO

Za sve odredbe i uslove politike garancije proizvođača EGO posjetite internetsku stranicu egopowerplus.eu.

استكشاف الأعطال وإصلاحها

| المشكلة | السبب | الحل |
|-----------------------------------------------|------------------------------------------------------------------------------------------------------------------------------------------------------------------------------------------------------------|-------------------------------------------------------------------------------------------------------------------------------------------------------------------------------------------------------------------------------|
| لا يمكن بدء تشغيل المحرك | <ul style="list-style-type: none"> نقد شحن مجموعة البطارية. لم يتم استخدام زر الفقل أو المفتاح الزنبركي بشكل صحيح. لم يتم إدخال مجموعة البطارية بالكامل في منفذ البطارية. | <ul style="list-style-type: none"> اشحن مجموعة البطارية. اتبع التعليمات الواردة في قسم "تشغيل/ إيقاف رأس الطاقة" في دليل رأس الطاقة. تأكد من إدخال مجموعة البطارية بالكامل في منفذ البطارية. |
| تصدر الآلة أصواتًا غير طبيعية. | <ul style="list-style-type: none"> حطام أو جسم غريب يعيق عمل أسنان الآلة. | <ul style="list-style-type: none"> أوقف المحرك، وأزل مجموعة البطارية، وقم بإزالة الحطام أو الأجسام الغريبة التي تمنع الآلة من العمل بشكل صحيح. |
| الآلة لا تعمل بشكل صحيح أو النتائج غير مرضية. | <ul style="list-style-type: none"> العشب طويل للغاية. | <ul style="list-style-type: none"> جز العشب قبل إزالة القش. |
| | <ul style="list-style-type: none"> هناك حطام عالق على الجانب السفلي لأرضية الجزازة. | <ul style="list-style-type: none"> انتظر حتى يجف العشب قبل جمعه. |
| | <ul style="list-style-type: none"> تم ضبط العمق على وضع خاطئ. | <ul style="list-style-type: none"> قم بضبط عمق الأسنان لتحقيق النتيجة المرجوة. |
| | <ul style="list-style-type: none"> استبدل الأجزاء المتآكلة أو التالفة. | <ul style="list-style-type: none"> استبدال الأسنان حسب الحاجة. |

الضمان

سياسة ضمان EGO

تفضل بزيارة الموقع الإلكتروني egopowerplus.eu للتعرف على الشروط والأحكام الكاملة الخاصة بسياسة ضمان EGO.

التنظيف

⚠ تحذير: عند تنظيف ملحق جامعة القش، لا تغمرها في الماء أو أي سائل أخرى.

تجنب استخدام المنظفات عند تنظيف الأجزاء البلاستيكية. غالبية المكونات البلاستيكية تكون سريعة التأثر بالأنواع المختلفة للمنظفات الموجودة بالسوق، وقد تتلف نتيجة استخدامها عليها. استخدم قطعة قماش نظيفة لإزالة الأوساخ والأتربة والزيت والشحم وما شابههم.

التزييت والتشحيم

يجب تشحيم جميع كراسي التحميل (البلي) الموجودة في هذا المنتج بكمية مناسبة من شحم تزييق عالي الدرجة لجعل الجهاز يعمل لعمر أطول تحت ظروف التشغيل الطبيعية. ومن ثم، لا تكون هناك حاجة لتشحيم كراسي التحميل (البلي) بعد ذلك.

استبدال الأسطوانة

⚠ تحذير: قبل إجراء أي أعمال صيانة، قم دائماً بإزالة مجموعة البطارية من الآلة وانتظر إلى أن تتوقف أسطوانة الشوكات تماماً. ارتد قفازات واقية عند التعامل مع الأسنان.

إزالة الأسطوانة

- أخرج مجموعة البطارية من رأس الطاقة.
- اقلب الملحق رأساً على عقب على سطح مستو.
- استخدم مفتاح الأنتييه مقياس 5 مم المرفق لك مسماري القفل وإزالتها من مقعد كرسي التحميل الخاص بأسطوانة جامعة القش (الشكل E1).
- ادفع أسطوانة جمع القش إلى اليسار إلى أن يتم سحب عمود الترس الموجود في الطرف الأيمن من محور الترس الخاص بالآلة (الشكل E2).
- أزل أسطوانة جمع القش من الآلة (الشكل E3).

| | | | |
|------|-------------------|------|------------------|
| E1-1 | مقعد كرسي التحميل | E1-2 | أسطوانة جمع القش |
| E2-1 | عمود الترس | E2-2 | محور الترس |

لتركيب الأسطوانة الجديدة

- قم بوضع مقعد كرسي التحميل للأسطوانة الجديدة على قاعدة الآلة، ثم ادفع الأسطوانة إلى اليسار إلى أقصى قدر ممكن (الشكل F1).
- قم بمحاذاة عمود الترس على الجانب الأيمن من الأسطوانة وإدخاله في محور الترس الخاص بالآلة (الشكل F2).
- قم بمحاذاة الفتحتين الموجودتين في مقعد كرسي التحميل مع الفتحات الموجودة في القاعدة، ثم ثبت مقعد كرسي التحميل على القاعدة باستخدام مسامير القفل (الشكل F3).

استبدال أسنان شوكة القش

في حالة الاستخدام العادي، قد تتآكل أسنان شوكة القش أو تتكسر بمرور الوقت. عندما لا يمكن ضبط عمق أسنان شوكة القش المقدر الصحيح من إزالة القش، أو إذا انكسر أحد الأسنان، فاتباع الخطوات أدناه لاستبدال الأسنان.

إزالة الأسنان

- أخرج مجموعة البطارية من رأس الطاقة.
- اقلب الملحق رأساً على عقب على سطح مستو.
- ادفع دبوسي أسنان شوكة القش في الفتحة 1 الموجودة في الأسطوانة، ثم اسحب أسنان شوكة القش من أسطوانة جمع القش كما هو موضح في الشكل G.

| | | | |
|-----|------|-----|----------|
| G-1 | دبوس | G-2 | الفتحة 1 |
|-----|------|-----|----------|

لتركيب أسنان شوكة القش (الشكل H)

- أدخل دبوس أسنان شوكة القش في الفتحة 1 الموجودة في الأسطوانة (الخطوة 1).
- أدخل سداة أسنان شوكة القش في الفتحة 2 الموجودة في الأسطوانة (الخطوة 2).
- قم بتوجيه دبوسي أسنان شوكة القش نحو الفتحة 1، ثم ادفعهما إلى الأمام إلى الموضع الموجود في الفتحة 3، وسوف يرتد الدبوسان تلقائياً إلى مكانهما (الخطوتين 3 و4).

| | | | |
|-----|----------|-----|----------|
| H-1 | دبوس | H-2 | الفتحة 1 |
| H-3 | الفتحة 2 | H-4 | الفتحة 3 |

النقل والتخزين

- أخرج مجموعة البطارية من رأس الطاقة.
- اترك دائماً المنتج يبرد قبل تخزينه.
- نظف المنتج جيداً قبل تخزينه.
- خزن المنتج في منطقة جافة جيدة التهوية، بحيث يكون في مكان مقفل أو عالٍ عن سطح الأرض بعيداً عن متناول أيدي الأطفال. لا تقم بتخزين المنتج على الأسمدة أو البزبنز أو المواد الكيميائية الأخرى، أو بجوارها.

حماية البيئة

لا تتخلص من المعدات الكهربائية أو البطارية المستهلكة أو الشاحن في النفايات المنزلية! بل توجه بهذا المنتج إلى مركز إعادة تدوير معتمد ليكون متاحاً للفرز بشكل منفرد. تجنب إعادة الألات الكهربائية إلى مرفق إعادة تدوير صديق للبيئة.



تحقق من وجود ما يعيق الأسنان

- لمنع الإعاقة، قم بتنظيف الجزء السفلي من الآلة قبل كل استخدام وبعده لإزالة أي حطام متراكم.
- عند حدوث التراكم، أوقف الآلة واخلع مجموعة البطارية، ثم قم بإزالة أي تراكم للعشب والأوراق على الأسنان أو حولها، وعلى أرضية الجزازة. امسح الآلة لتنظيفها باستخدام منشفة مبللة.

ضبط العمق (الشكل D)

تحذير: احتفظ بأقدامك بعيداً عن أرضية الآلة عند ضبط العمق.

يمكن ضبط عمق جمع القش إلى 3 أوضاع عمق:

1 و 2: وضع التشغيل

3: وضع النقل

قم بضبط العمق وفقاً لاحتياجات المرح لديك.

1. أوقف تشغيل الآلة وانتظر حتى توقف الآلة تماماً.

2. اخلع مجموعة البطارية.

3. اسحب رافعة تعديل العمق إلى الخارج من التجويف واضبطها على الوضع المرغوب.

| | | | |
|-----|-------------------|-----|-----------|
| D-1 | رافعة تعديل العمق | D-2 | وضع العمق |
|-----|-------------------|-----|-----------|

الصيانة

تحذير: قبل فحص الآلة أو تنظيفها أو صيانتها، أطفئ المحرك، وانتظر إلى أن تتوقف جميع الأجزاء المتحركة، ثم اخلع مجموعة البطارية. لأن عدم اتباع هذه التعليمات قد يؤدي إلى وقوع إصابات شخصية خطيرة أو تلف الممتلكات.

تحذير: ارتد بشكل دائم أدوات حماية العينين المزودة بواقبات على الجانبين. قد ينجم عن عدم الامتثال لذلك دخول أشياء في عينيك، وهو ما قد يؤدي إلى وقوع إصابات خطيرة.

تحذير: استخدم فقط قطع غير أصلية عند إجراء أعمال الصيانة. لأن استخدام أي أجزاء أخرى قد ينشأ عنه خطر أو يتسبب في تعرض المنتج للتلوث لضمان السلامة والاعتمادية، يجب تنفيذ جميع أعمال الصيانة من قبل فني صيانة متخصص، باستثناء البنود المدرجة في تعليمات الصيانة هذه.

تحذير: عقب الاصطدام بجسم غريب، أوقف الآلة واخلع مجموعة البطارية للتأكد من توقف جميع الأجزاء المتحركة تماماً. وبعد ذلك، افحص الآلة بحثاً عن أي علامات للتلوث ونفذ أعمال الإصلاح قبل إعادة تشغيلها.

تحذير: إذا بدأت الآلة في الاهتزاز بشكل غير طبيعي، فأوقف الآلة واخلع مجموعة البطارية للتأكد من توقف جميع الأجزاء المتحركة تماماً. ثم قم بالفحص فوراً بحثاً عن أي تلف، واستبدل أي أجزاء تالفة أو استبدلها، وتحقق من وجود أي أجزاء مفكوكة وقم بربطها.

تحذير: كن حريصاً في أثناء ضبط المنتج لمنع انحراف الأصابع بين الأجزاء المتحركة والأجزاء الثابتة للمنتج.

- افحص المنتج جيداً بحثاً عن أي تلف قبل الاستخدام. لا تستخدم المنتج إذا كان تالفاً أو عليه علامات للتآكل.
- تأكد من أن العشب خال من الحجارة أو العصي أو الأسلاك أو أي أشياء أخرى يمكن أن تؤدي إلى إتلاف المنتج.
- قم بجز العشب قبل العمل، وقم بالتسميد بعد ذلك.

نصائح التشغيل

لكي ينمو العشب بشكل صحي في الربيع، فمن الضروري أن تخترق كميات أكبر من الهواء المنطقة المحيطة بجذور العشب. ننصح بإزالة العشب الميت مرتين على الأقل كل عام، خلال فصل الربيع أو الخريف، وذلك حسب حالة العشب لديك.

لسلامتك، لا تقم بتشغيل الآلة على المنحدرات التي يزيد ميلها عن 51 درجة. يكون العمل على وجه المنحدرات، وليس إلى أعلى وأسفل. توخ الحذر الشديد والحيطه عند تغيير اتجاهاتك أثناء العمل في المنحدرات.

لا تعمل بهذا المنتج على العشب المبلل لأن العشب المبلل يميل إلى الالتصاق بأرضية الجزازة والأسنان، كما يمكن أن يتسبب أيضاً في انزلاقك وسقوطك.

امسك المنتج بكلتا يديك. احرص على إبقاء المقابض جافة لضمان الدعم الآمن.

ادفع المنتج إلى الأمام ببطء. حرك المنتج بالسرعة المناسبة. ولا تحركه بسرعة كبيرة لتجنب انحراف الأسنان والتسبب في زيادة التحميل على المحرك.

قم بإيقاف تشغيل المنتج على الفور إذا دخل أشخاص آخرون إلى منطقة العمل. انتظر دائماً حتى توقف المنتج تماماً قبل وضعه من يدك.

لا تقف في مكان تُضطر فيه لمد يديك بعيداً. احصل على فترات راحة منتظمة للتأكد من قدرتك على التركيز على العمل والحصول على السيطرة الكاملة على الآلة.

اعمل في صفوف متداخلة قليلاً. النمط الأكثر فعالية هو الخطوط المستقيمة على طول أحد الجانبين (الشكل C). سيؤدي هذا إلى إبقاء الصفوف متساوية ويضمن إزالة العشب بالكامل دون تفويت أي بقعة.

انتبه بشكل خاص عند تغيير الاتجاه.

تحقق دائماً من موضع قدمك. لأن الانزلاق أو السقوط قد يتسبب في حدوث إصابات شخصية خطيرة. إذا شعرت أنك تفقد توازنك، قم بإيقاف تشغيل المحرك على الفور.

لا تقم بالعمل بالقرب من المنحدرات أو الخنادق أو الجسور؛ لأنك قد تنزلق أو تفقد توازنك.

لتشغيل/إيقاف ملحق جامعة القش

راجع قسم "تشغيل/إيقاف رأس الطاقة" الموجود في دليل تشغيل رأس الطاقة PH1400E/PH1420E/PHX1600.

تحذير: قم بإيقاف الآلة إذا كان من اللازم إمالة الآلة لنقلها عند عبور أسطح ليس بها عشب، وعند نقل الآلة من منطقة العمل وإليها.

تحذير: لا تقم بإمالة الآلة عند تشغيل المحرك، إلا إذا كان من اللازم إمالة الآلة لبدء تشغيلها. في هذه الحالة، لا تقم بإمالاته أكثر من الضروري وارفع فقط الجزء البعيد عن المستخدم.

1. ضع مجموعة جمع القش رأسًا على عقب على سطح مستوٍ مستقر.
2. أزل الغطاء الخارجي من الطرف الأمامي للملحق.
3. مع توجيه الفتحة الموجودة بعمود الملحق إلى أعلى، أدخل عمود الملحق في الغطاء السفلي للملحق حتى أقصى حد يمكنه الوصول إليه. قم بمحاذاة فتحة المسمار الموجودة بالغطاء السفلي مع الفتحة الموجودة في عمود الملحق.
4. باستخدام مفتاح الألتيكه مقياس 4 مم المرفق، قم بتثبيت الغطاء السفلي على عمود الملحق باستخدام مسمار M5.
5. باستخدام مفتاح الألتيكه، اربط المسامير المثبتين مسبقًا بإحكام في الغطاء السفلي.

تحذير: تأكد من ربط المسامير الثلاثة حتى النهاية جيدًا قبل تشغيل الآلة؛ وتحقق من ربطهم بانتظام في أثناء الاستخدام لتجنب التعرض لإصابات شخصية خطيرة.

توصيل ملحق جامعة القش برأس الطاقة

جامعة القش هذه مصممة للاستخدام مع رأس الطاقة PH1400E/ PH1420E/PHX1600 من شركة EGO. راجع قسم "تركيب ملحق برأس الطاقة" الموجود في دليل تشغيل رأس الطاقة PH1400E/PH1420E/PHX1600.

التشغيل

تحذير: لا تسمح لاعتيادك على تشغيل هذا المنتج أن يجعلك مستهترًا عند التعامل معه. ولا تنس أن الاستهتر لجزء من الثانية كافٍ للتسبب في حدوث إصابات خطيرة.

تحذير: ارتد دائمًا أدوات حماية للعينين. قد ينجم عن عدم الامتثال لذلك دخول أشياء في عينيك، واحتمالية وقوع إصابات خطيرة.

تحذير: لمنع التعرض لإصابات شخصية خطيرة، اخلع مجموعة البطارية من المنتج قبل إجراء أعمال الصيانة، أو التنظيف، أو تغيير المرفقات، أو إزالة المواد من المنتج.

تحذير: لا تستخدم أي مرفقات أو ملحقات سوى تلك الموصى بها من قبل الشركة الصانعة لهذا المنتج. لأن استخدام مرفقات أو ملحقات غير موصى بها قد يؤدي إلى وقوع إصابات شخصية خطيرة.

الاستخدامات

قم بإزالة بقايا الفصاصات أو الطحالب أو العشب أو الجذور القديمة والجافة الناتجة عن المروج.

تشغيل/إيقاف جامعة القش

قبل استخدام جامعة القش

تحذير: لتجنب التعرض لإصابات خطيرة، ارتد واقبات العينين أو نظارات حماية العينين في جميع الأوقات في أثناء تشغيل هذا المنتج. ارتد قناع للوجه أو قناع أتربة في الأماكن كثيرة الأتربة. احرص على ارتداء الملابس والأحذية المناسبة في أثناء التشغيل للحد من مخاطر الإصابة التي قد تنتج عن الحطام المتطاير.

تحذير: قد تختلف انبعاثات الاهتزاز أثناء الاستخدام الفعلي للآلة عن القيمة المعلنة التي يتم استخدام الآلة فيها؛ ولحماية مشغل الآلة، ينبغي على المستخدم ارتداء قفازات وواقبات للأذن في ظروف الاستخدام الفعلية.

تحذير: يجب تحديد معايير السلامة اللازمة لحماية المستخدم القائمة على تقييم التعرض في الظروف الحالية للاستخدام (مع الأخذ في الاعتبار بجميع أجزاء دورة التشغيل مثل الأوقات التي تكون فيها الآلة مطفأة وعند الدوران في وضع الاستعداد بالإضافة إلى وقت الانطلاق).

الوصف

تعرف على ملحق جامعة القش (الشكل A)

1. الغطاء الخارجي (2)
2. عمود الملحق
3. الغطاء السفلي
4. عجلة
5. مجموعة الغطاء العلوي
6. رافعة تعديل العمق
7. وافي العاكس
8. قضيب المكشطة
9. مفتاح الألتيكه 4 مم
10. مفتاح الألتيكه 5 مم
11. أسنان شوكة القش
12. أسطوانة جمع القش

التجميع

تحذير: إذا حدث تلف أو فقد في أي أجزاء، لا تقم بتشغيل هذا المنتج إلا بعد استبدال الأجزاء. استخدام هذا المنتج مع وجود أجزاء تالفة أو مفقود قد يؤدي إلى وقوع إصابات شخصية خطيرة.

تحذير: لا تحاول إجراء أي تعديلات على هذا المنتج أو ابتداء ملحقات غير موصى بها للاستخدام مع هذا المنتج. أي تغيير أو تعديل من هذا النوع يعتبر سوء استخدام، وقد يؤدي إلى وضع خطير قد يتسبب في وقوع إصابات شخصية خطيرة محتملة.

توصيل عمود التثبيت بمجموعة جمع القش (الشكل B)

| | | | |
|-----|-------------|-----|---------------|
| B-1 | مسار M5 | B-4 | فتحة |
| B-2 | مسار | B-5 | فتحة المسار |
| B-3 | عمود الملحق | B-6 | الغطاء السفلي |

| | |
|----------------------------------------------------------------------|-----------------------------------------------|
| 88 ديسيبل (أ) 2=K ديسيبل (أ) (PH1400E) | مستوى قوة الصوت المُقَدَّر L_{WA} |
| 88.49 ديسيبل (أ) 0.81=K ديسيبل (أ) (PH1420E) | |
| 90 ديسيبل (أ) 0.9=K ديسيبل (أ) (PHX1600) | |
| 82 ديسيبل (أ) 3=K ديسيبل (أ) (PH1400E) | مستوى ضغط الصوت عند أذن مُشغَل الآلة L_{PA} |
| 79.8 ديسيبل (أ) 3=K ديسيبل (أ) (PH1420E) | |
| 82 ديسيبل (أ) 3=K ديسيبل (أ) (PHX1600) | |
| 92 ديسيبل (أ) | |
| 2.35 م/ثانية ² 1.5=K م/ثانية ² (PH1400E) | مقيض المساعدة الأمامي |
| 2.36 م/ثانية ² 1.5=K م/ثانية ² (PH1420E) | |
| 2.63 م/ثانية ² 1.5=K م/ثانية ² (PHX1600) | القيمة المقدرة للاهتزاز a_n |
| 2.66 م/ثانية ² 1.5=K م/ثانية ² (PH1400E) | |
| 2.24 م/ثانية ² 1.5=K م/ثانية ² (PH1420E) | |
| 1.74 م/ثانية ² 1.5=K م/ثانية ² (PHX1600) | |
| الوزن (مع أسطوانة جمع القش) 7.4 كجم | |

- تم اختبار المعايير أعلاه وقياسها في أثناء تركيب رأس الطاقة PH1400E/PH1420E/PHX1600.
- القيمة الكلية للاهتزاز الموضحة تم قياسها وفقاً لطريقة اختبار قياسية وقد تستخدم لمقارنة أداة بأخرى.
- كما يمكن استخدام القيمة الكلية للاهتزاز الموضحة في التقييم التمهيدي للعرض.

- لا تشغل الآلة على المنحدرات ذات الميل الكبير. فهذا يقلل من خطر فقدان السيطرة والانزلاق والسقوط، مما قد يؤدي إلى وقوع إصابة شخصية.
- عند العمل على المنحدرات، تأكد دائماً من موضع قدميك، واعمل دائماً عبر سطح المنحدر، ولا تصعد أو تهبط أبداً، وتوخى الحذر الشديد عند تغيير الاتجاه. فهذا يقلل من خطر فقدان السيطرة والانزلاق والسقوط، مما قد يؤدي إلى وقوع إصابة شخصية.
- توخّ الحذر الشديد عند عكس اتجاه عمل الآلة أو سحبها تجاهك. تحقق دائماً من الأشياء المحيطة بك. هذا يقلل من خطر التعثر في أثناء التشغيل.
- امسك الآلة من أسطح الإمساك المعزولة فقط، لأن الأسنان قد تلتصق بأسلاك مخفية. قد تتلامس الأسنان مع سلك تيار "جاري"، وهو ما يجعل الأجزاء المعدنية المكتنوفة بالآلة "مكهربة" ويتسبب في إصابة مُشغَل الآلة بصدمة كهربائية.
- لا تلمس الأسنان والأجزاء المتحركة الخطرة الأخرى في أثناء حركتها. فهذا يحد من خطر الإصابة بفعل الأجزاء المتحركة.
- عند إزالة الانسدادات أو تنظيف الآلة، فتأكد من إطفاء جميع مفاتيح التشغيل وفصل مجموعة البطارية. قد يؤدي تشغيل الآلة بشكل غير متوقع إلى إصابة بدنية خطيرة.

تحذيرات إضافية

- استخدم المنتج فقط مع رأس الطاقة EGO من الطراز PH1400E/PH1420E/PHX1600.
- ملاحظة: راجع دليل التشغيل الخاص برأس الطاقة EGO من الطراز PH1400E/PH1420E/PHX1600 للاطلاع على قواعد السلامة وتعليمات التشغيل المفصلة.

احفظ هذه التعليمات

المواصفات

| | |
|---------------------------------------|-----------------------------------------------------------|
| عرض العمل الأقصى | 355 مم |
| السرعة من دون حمل (مع الطراز PH1420E) | منخفضة: 2600 لفة في الدقيقة عالية: 3000 لفة في الدقيقة |
| ضبط العمق | 3 أوضاع |
| عمق جمع القش | 0 / 10 مم / 20 مم |
| درجة حرارة التشغيل الموصى بها | 0 - 40 درجة مئوية |
| درجة حرارة التخزين الموصى بها | 20 - 70 درجة مئوية |

الفور. السائل المرشح من البطارية قد يتسبب في حدوث احتياج في الجلد أو حروق.

- لا تستخدم مجموعة البطارية أو الآلة إذا كانا تالفين أو تم إدخال تعديلات عليهما. لأن البطاريات التالفة أو التي تم تعديلها قد تعمل بشكل غير متوقع، وهو ما قد يؤدي لنشوب حريق أو حدوث انفجار أو خطر التعرض لإصابة.
- لا تقم بتعريض مجموعة البطارية أو الآلة للحريق أو درجات الحرارة الزائدة. التعرض لدرجات الحرارة الأعلى من 130 درجة مئوية قد يؤدي لحدوث انفجار.
- اتبع تعليمات الشحن ولا تشحن مجموعة البطارية أو الآلة في نطاق درجة حرارة خارج النطاق المحدد في التعليمات. قد يؤدي الشحن غير المضبوط أو في درجات حرارة خارج النطاق المسموح به إلى تلف البطارية وخطر نشوب حريق.

الصيانة

- ينبغي إجراء الصيانة على الآلة بواسطة فني إصلاح متخصص باستخدام قطع غيار أصلية مطابقة فقط. فهذا سيضمن المحافظة على سلامة الآلة.
- لا تقم بصيانة مجموعات البطارية التالفة بأي حال من الأحوال. بل ينبغي أن تكون صيانة مجموعات البطارية من خلال الشركة الصانعة أو مقدمي الخدمة المعتمدين فقط.

تحذيرات السلامة الخاصة بجامعة القش

- تجنب استخدام الآلة في ظروف مناخية صعبة، خاصة عند وجود خطر حدوث برق. فهذا يحد من خطر الإصابة بالبرق.
- افحص المنطقة المراد استخدام الآلة فيها بعناية بحثاً عن أي كائنات برية. لأن الآلة قد تتسبب في إصابتها في أثناء التشغيل.
- افحص بعناية المنطقة التي سيتم استخدام الآلة فيها وتخلص من جميع الحصى والصصى والأسلاك والغمام والأشياء الغريبة الأخرى. لأن الأشياء المتطايرة قد تتسبب في إصابات بدنية.
- قبل استخدام الآلة، احرص دائماً على فحص الآلة بعينيك للتأكد من عدم تآكل الأسنان أو مجموعة الأسنان، أو تلفها. الأجزاء التالفة أو المتهالكة تزيد من خطر التعرض لإصابة.
- أبق عناصر الحماية في أماكنها. يجب أن تكون عناصر الحماية في حالة تشغيل جيدة وتركيبها بشكل صحيح. قد يؤدي عنصر الحماية المفكوك أو التالف أو الذي لا يعمل بشكل صحيح إلى وقوع إصابات بدنية.
- احرص على خلو فتحات التهوية من أي بقايا. قد يؤدي انسداد مداخل الهواء ووجود عوائل إلى ارتفاع درجة الحرارة أو خطر نشوب حريق.
- في أثناء تشغيل الآلة، ارتد دائماً أذنية حماية مائعة للترلاقي. لا تقم بتشغيل الآلة وأنت حافي القدمين أو ترتدي صندلاً مفتوحاً. هذا يحد من فرصة إصابة القدمين نتيجة التلامس مع الأسنان المتحركة.
- عند استخدام الآلة، احرص دائماً على ارتداء بنطال طويل. الجلد المكشوف يزيد من احتمالية الإصابة نتيجة الأشياء المتطايرة.
- لا تشغل الآلة في العشب الرطب. يجب عليك المشي، ولا تجري أبداً. فهذا يقلل من خطر الانزلاق والسقوط، مما قد يؤدي إلى وقوع إصابة شخصية.

استخدام الآلة والعناية بها

- لا تجبر الآلة على أعمال تتفوق قدرتها. استخدم الآلة الملائمة لأعمالك. ستقوم الآلة الملائمة بأداء أعمالك بشكل أفضل وأكثر أمناً بالمعدل الذي أعدت له.
- لا تستخدم الآلة إذا كان مفتاح التشغيل لا يمكن نقله إلى وضع التشغيل أو وضع الإيقاف. أي آلة لا يمكن التحكم فيها بمفتاح التشغيل تعتبر خطيرة ويجب إصلاحها.
- افصل القابس من مصدر التيار و/أو اخلع مجموعة البطاريات إذا كانت قابلة للخلع. من الآلة قبل إجراء أي تعديلات أو تغيير ملحقات أو تخزين الآلات. إجراءات السلامة الوقائية هذه تحد من خطر تشغيل الآلة بشكل خاطئ.
- خزن الآلات غير المستخدمة بعيداً عن متناول أيدي الأطفال ولا تسمح للأشخاص غير المعتادين على استخدام الآلة أو على هذه التعليمات بتشغيل الآلة. فالآلات تكون خطيرة في أيدي الأشخاص غير المرربين.
- حافظ على الآلة والملحقات. تحقق من عدم محاذاة الأجزاء المتحركة أو ربطها، أو وجود مسور في الأجزاء، أو أي حالة أخرى قد تؤثر على عمل الآلة. إذا كان هناك تلف، فقم بإصلاح الآلة قبل استخدامها. فالعديد من الحوادث تحدث بسبب الآلات التي لا تتم صيانتها بشكل منتظم.
- احفظ بالآلات القاطعة حادة ونظيفة. فالآلات القاطعة التي تتم صيانتها كما ينبغي للاحتفاظ بوحافها القاطعة حادة تكون أقل عرضة للانحناء ويكون التحكم فيها سهلاً.
- استخدم الآلة والملحقات واللقم وما شابههم وفقاً لهذه التعليمات، مع الأخذ في الاعتبار ظروف العمل والأعمال التي سيتم تنفيذها. قد يؤدي استخدام الآلة في أعمال غير تلك المخصصة لها إلى حوادث خطيرة.
- احفظ بالمقابض وأسطح الإمساك جافة ونظيفة وخالية من الزيوت والشحوم. لأن المقابض وأسطح الإمساك المنزلقة لا تمنحك القدرة على التعامل والتحكم الآمنين في الآلة في المواقف غير المتوقعة.

استخدام الآلة العاملة بالبطارية والعناية بها

- لا تعد شحن الآلة إلا باستخدام الشاحن المحدد بواسطة الشركة الصانعة. فالشاحن الملائم لنوع ما من مجموعات البطارية قد يتسبب في نشوب حريق إذا تم استخدامه مع مجموعة بطارية أخرى.
- استخدم الآلات مع مجموعات البطارية المخصصة لها فقط. لأن استخدام أي مجموعات بطارية أخرى قد يؤدي إلى التعرض لإصابات أو نشوب حريق.
- عند عدم استخدام مجموعة البطارية، احفظ بها بعيداً عن الأغراض المعدنية الأخرى مثل مشابك الأوراق أو العملات المعدنية أو المفاتيح أو المسامير أو البراغي أو الأغراض المعدنية الصغيرة الأخرى التي قد تتسبب في عمل دائرة قصر (ماس كهربائي) بين أقطاب البطارية. لأن عمل دائرة قصر (ماس كهربائي) بين أطراف البطارية قد يتسبب في حروق أو نشوب حريق.
- في حالات التعامل السيئ، قد يحدث ارتشاح للسوائل من البطارية؛ لا تلامسه. إذا حدثت ملامسة بشكل عرضي، فاغسلها بالماء. إذا لامس السائل العينين، فاطلب المساعدة الطبية على

- تجنب ملامسة الجسم لأسطح مؤرضة مثل الأنابيب والمشعاع والموافد والثلاجات. هناك خطر متزايد لحدوث صدمة كهربائية إذا كان جسمك مؤرضًا.
- لا تشغيل الآلة في المطر أو في الأجواء الرطبة. قد يؤدي هذا إلى زيادة خطر حدوث صدمة كهربائية.
- لا تعبت بسلك التيار. لا تقم أبدًا باستخدام سلك التيار لحمل الآلة أو سحبها أو فصلها عن التيار. احتفظ بالسلك بعيدًا عن مصادر الحرارة أو الزيت أو الحواف الحادة أو الأجزاء المتحركة. تؤدي أسلاك التيار التالفة أو المتشابكة إلى زيادة خطر حدوث صدمة كهربائية.
- عند تشغيل آلة في مكان خارجي مفتوح، استخدم سلك تمديد ملائم للاستخدام الخارجي. استخدام سلك ملائم للاستخدام الخارجي يحد من خطر حدوث صدمة كهربائية.
- إذا كان لا بد من تشغيل الآلة في مكان رطب، فاستخدم مصدر تيار محمي بقاطع تيار مؤرض (GFCI). يؤدي استخدام قاطع تيار مؤرض إلى الحد من خطر حدوث صدمة كهربائية.

السلامة الشخصية

- ابق منتبهًا، وانتبه جيدًا لما تفعله، وكن عاقلًا عند تشغيل الآلة. لا تستخدم أي آلة وأنت مجهد أو تحت تأثير المخدرات أو الكحوليات أو الأدوية. قد تؤدي لحظة من عدم الانتباه أثناء تشغيل الآلات إلى حدوث إصابات شخصية خطيرة.
- استعن بمعدات الحماية الشخصية. ارتد دائمًا أدوات حماية للعينين. سيؤدي استخدام أدوات الحماية كقناع الغبار أو أحذية السلامة المضادة للانزلاق أو القفازات الصلبة أو أدوات حماية السمع في ظروف مناسبة إلى الحماية من الإصابات الشخصية.
- امنع بدء تشغيل الآلة غير المتعد. احرص على أن يكون مفتاح الطاقة في وضع الإيقاف قبل توصيل الآلة بمصدر التيار أو مجموعة البطاريات، أو التناقل الآلة أو حملها. إذا حملت الآلات وإصبعك على مفتاح التشغيل أو إذا شحنتها والمفتاح على وضع التشغيل، فقد يؤدي ذلك لوقوع حوادث.
- أزل أي مفتاح تعديل أو مفتاح ربط قبل تشغيل الآلة. قد يؤدي ترك مفتاح ربط أو مفتاح عادي مركبًا على جزء دوار بالآلة إلى وقوع إصابات شخصية.
- لا تقف في مكان تضطر لمد يديك بعيدًا. قف وأنت ثابت ومتوازن في جميع الأوقات. وهو ما يسمح بتحكم أفضل في الآلة في الظروف غير المتوقعة.
- ارتد الملابس الملائمة. لا ترتد ملابس أو مجوهرات غير ثابتة. احتفظ بشعرك وملابسك بعيدًا عن الأجزاء المتحركة. قد تعلق الملابس الفضفاضة أو المجوهرات أو الشعر الطويل في الأجزاء المتحركة.
- إذا تم تقديم أجهزة خاصة بتوصيل أدوات استخراج وجمع الغبار، فأحرص على توصيلها واستخدامها على النحو اللازم. قد يؤدي استخدام جمع الغبار إلى الحد من المخاطر المرتبطة به.
- لا تدع الخبرة المكتسبة من الاستخدام المتكرر للآلات يجعلك تتعامل من دون الانتباه اللازم وتتجاهل مبادئ السلامة المتعلقة بالآلة. فقد يتسبب أي إجراء غير مدروس في إصابات خطيرة في جزء من الثانية.

| | | |
|-------------------|---------------------------------------|----------------------------------------------------------------|
| mm | مليمتر | الطول أو الحجم |
| kg | كيلوجرام | الوزن |
| min | دقائق | الوقت |
| n_0 | السرعة من دون حمل | سرعة الدوران، من دون حمل |
| Min ⁻¹ | اللفات أو الحركات الترددية في الدقيقة | الدورات، الدقات، سرعة السطح، المدارات، وما إلى ذلك، في الدقيقة |
| RPM | اللفات في الدقيقة | سرعة الدوران |
| °C | درجة مئوية | درجة الحرارة |

⚠ تحذير: لضمان السلامة والاعتمادية، يجب تنفيذ جميع أعمال الإصلاح من قبل فني خدمة موهل.

تحذيرات السلامة العامة الخاصة بالآلة العاملة بالبطارية

⚠ تحذير: اقرأ جميع تحذيرات السلامة والتعليمات والرسوم التوضيحية والمواصفات المرفقة مع هذه الآلة. عدم اتباع جميع التعليمات الواردة أدناه قد يؤدي إلى حدوث صدمة كهربائية أو نشوب حريق أو التعرض للإصابة، أهدأ أو جميعها.

احتفظ بجميع التحذيرات والتعليمات للرجوع إليها في المستقبل.

يشير مصطلح "الآلة" في قسم التحذيرات إلى الآلة العاملة بالتيار (الموصولة بسلك تيار) أو الآلة العاملة بالبطارية (غير الموصولة بسلك تيار).

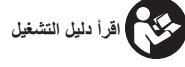
سلامة منطقة العمل

- حافظ على منطقة العمل نظيفة ومضاءة جيدًا. حيث عادة ما تنسب المناطق المظلمة أو التي بها ركام إلى وقوع حوادث.
- لا تقم بتشغيل الآلات في أجواء قابلة للانفجار، على سبيل المثال في وجود سوائل أو مواد بترولية أو غبار قابلة للاشتعال. فقد تنسب الآلات في صدور شرارة، والتي قد تنسب في اشتعال الغبار أو الأبخرة القابلة للاشتعال.
- احتفظ بالأطفال والمشاهدين بعيدًا عن موقع استعمال الآلة. حيث إن الإلهامات قد تجعلك تفقد السيطرة على الآلة.

السلامة الكهربائية

- ينبغي أن يتوافق قابس الآلة مع مقبس التيار. لا يجب إدخال تعديلات على القابس بأي حال من الأحوال. لا تستخدم أي قوايس مهايئة مع الآلات المؤرضة. ستؤدي القوايس غير المُعدلة والمقابس المتوافقة إلى الحد من خطر حدوث صدمة كهربائية.

اقرأ جميع التعليمات!



رموز السلامة

الغرض من رموز السلامة هو جذب انتباهك إلى المخاطر المحتملة. رموز السلامة والشروح المصاحبة لها تستحق اهتمامك وفهمك الدقيق. تحذيرات كل رمز، بنفسها، لا تمنع وقوع أي خطر. التعليمات والتحذيرات التي تمنحك إياها لا تعد بديلاً عن تطبيق الإجراءات الملائمة لمنع وقوع الحوادث.

تحذير: احرص على قراءة وفهم جميع تعليمات السلامة في دليل التشغيل هذا، بما في ذلك جميع رموز تنبيهات السلامة، مثل "خطر"، و**تحذير**، وتنبيه قبل استخدام هذه الآلة. عدم اتباع جميع التعليمات الواردة أدناه قد يؤدي إلى حدوث صدمة كهربائية أو نشوب حريق أو التعرض للإصابة الشخصية، أحدها أو جميعها.

معنى الرمز

تحذير: رمز تنبيه السلامة: يشير إلى خطر، أو تحذير، أو تنبيه. يمكن استخدامها بالتزامن مع رموز أو صور توضيحية أخرى.

تحذير: قد يؤدي تشغيل أي آلة إلى دخول أي أشياء غريبة في عينيك، وهو ما قد يؤدي إلى إلحاق أضرار خطيرة بالعين. قبل بدء تشغيل الآلة، احرص دائماً على ارتداء واقية العينين أو نظارات حماية العينين ذات دروع جانبية، ودرع واقٍ لكامل الوجه عند اللزوم. نوصي بارتداء قناع السلامة واسع الرؤية لاستخدامه فوق نظارات العين أو نظارات السلامة العادية ذات الدروع الجانبية.

تعليمات السلامة

هذه الصفحة تصف وتشرح رموز السلامة التي قد تظهر على هذا المنتج. اقرأ جميع التعليمات المذكورة على الآلة وافهمها واتبعها قبل محاولة تجميع الآلة وتشغيلها.

| | | |
|-----------------------------------------------------------------------------------------------------------------|--------------------------------------------------------------------------|---|
| يشير إلى خطر محتمل للتعرض لإصابة شخصية. | تنبيه سلامة | |
| للحد من خطر الإصابة، يجب على المستخدم قراءة وفهم دليل التشغيل قبل استخدام هذا المنتج. | اقرأ دليل التشغيل وافهمه | |
| ارتد دائماً نظارات الحماية المزودة بواقية على الجانبين، وينبغي ارتداء واقية لكامل الوجه أثناء تشغيل هذا المنتج. | ارتد أدوات حماية العينين | |
| ينبه المستخدم إلى الأشياء المتطارية - أبقي المرافقين بعيداً عن نطاق عمل الآلة. | تحذير - احذر الأشياء المتطارية - أبقي المرافقين بعيداً عن نطاق عمل الآلة | |
| ينبه المستخدمين إلى إبقاء الأيدي والأقدام بعيداً. | خطر - أبقي يديك وقدميك بعيداً | |
| ينبه المستخدم إلى الاحتفاظ بيديه وقدميه بعيداً عن الأسنان. | تحذير - أبقي يديك وقدميك بعيداً عن الأسنان | |
| هذا المنتج متوافق مع توجيهات شهادة الجودة الأوروبية (CE) المعمول بها. | شهادة الجودة الأوروبية CE | |
| هذا المنتج متوافق مع تشريعات المملكة المتحدة المعمول بها. | تقييم المطابقة UKCA | |
| لا يجب التخلص من الأجهزة الكهربائية المستهلكة في النفايات المنزلية. توجه بالجهاز إلى مركز إعادة تدوير معتمد. | نفايات المعدات الكهربائية والإلكترونية (WEEE) | |
| مستوى قوة الصوت المضمون. انبهاتات الضوضاء في البيئة وفقاً لتوجيه الاتحاد الأوروبي. | الضوضاء | |
| الجهد الكهربائي | فولت | V |
| النوع أو خصائص التيار | تيار مستمر (DC) | |

איתור וטיפול בבעיות

| פתרון | סיבה | בעיה |
|-----------------------------------------------------------------------------------------------------------------------------------------------------------------------------------------------------------------|--------------------------------------------------------------------------------------------------------------------------------------------------------------------------------------------|---------------------------------------------|
| <ul style="list-style-type: none"> ■ הטעינו את מארז הסוללה. ■ עיינו בסעיף „הפעלה/כיבוי של הראש החשמלי” במדריך של הראש החשמלי. ■ בדקו אם מארז הסוללה הוכנס במלואו לפתח הסוללות. | <ul style="list-style-type: none"> ■ טעינת מארז הסוללה ריקה. ■ לא נעשה שימוש נאות בכפתור הנעילה או במתג ההדק. ■ מארז הסוללה אינו מוכנס כראוי לפתח הסוללה. | המנוע איננו מתחיל את פעולתו |
| <ul style="list-style-type: none"> ■ עצרו את המנוע, הוציאו את מארז הסוללה והסירו פסולת או חפצים זרים המונעים מהמכונה לפעול כראוי. | <ul style="list-style-type: none"> ■ פסולת או חפץ זר מפריעים למכונה. | המכונה משמיעה רעשים חריגים. |
| <ul style="list-style-type: none"> ■ כסחו את הדשא לפני ניקוי הקרקע. | <ul style="list-style-type: none"> ■ הדשא רטוב. | המכונה לא עובדת כראוי או התוצאות לא מספקות. |
| <ul style="list-style-type: none"> ■ חכו עד אשר הדשא מתייבש לפני ניקוי הקרקע. | <ul style="list-style-type: none"> ■ ישנה הצטברות של פסולת בחלק התחתון של המשטח. | |
| <ul style="list-style-type: none"> ■ התאימו את עומק השיניים כדי להשיג את התוצאה הרצויה. | <ul style="list-style-type: none"> ■ הגדרת עומק מוגדרת באופן שגוי. | |
| <ul style="list-style-type: none"> ■ החליפו את השיניים לפי הצורך. | <ul style="list-style-type: none"> ■ השיניים בליות או פגומות. | |

אחריות

מדיניות האחריות של EGO

ניתן לבקר באתר egopowerplus.eu כדי לעיין בתנאים וההתניות המלאים של מדיניות האחריות של EGO.

להסרת השיניים

1. הסירו את מארז הסוללה מהראש החשמלי.
2. שימו את האביזר כשהוא הפוך על משטח יציב שטוח.
3. דחפו את שני הפינים של שיני המגרפה לחריוף 1 על הגליל, ומשכו החוצה את שיני המגרפה מגליל מנקה הקרקע, כפי שניתן לראות באיור G.

| | | | |
|-----|------|-----|---------|
| G-1 | סיכה | G-2 | חריוץ 1 |
|-----|------|-----|---------|

כדי להתקין את שיני המגרפה (איור U)

1. הכניסו את הפין של שיני המגרפה לתוך חריץ 1 על הגליל (שלב 1).
2. הכניסו את תושבת המגרפה לתוך חריץ 2 על הגליל (שלב 2).
3. הכניסו את שני הפינים של השן לתוך חריץ 1, דחפו קדימה למיקום בחריץ 3 ושני הפינים יחזרו למקומם (שלב 3 ו-4).

| | | | |
|-----|---------|-----|---------|
| H-1 | סיכה | H-2 | חריוץ 1 |
| H-3 | חריוץ 2 | H-4 | חריוץ 3 |

הובלה ואחסון

- הסירו את מארז הסוללה מהראש החשמלי.
- ודאו תמיד שהמוצר התקרר לפני אחסונו.
- נקו את המוצר ביסודיות לפני אחסונו.
- אחסנו את המוצר במקום יבש, מאוורר היטב, נעול או במקום גבוה, הרחק מהישג ידם של ילדים. אל תאחסנו את המוצר קרוב לחומרי דשן, חומרי דלק או כימיקלים אחרים.

הגנה על הסביבה

אין לזרוק ציוד חשמלי, מטעני סוללות וסוללות ביחד עם אשפה ביתית! קחו מוצרים אלו למרכז מחזור מוסמך וודאו שהם זמינים לאיסוף נפרד. יש להחזיר מכשירים אל מתקן מחזור ידידותי לסביבה.



ניתן להגדיר את העומק ל-3 עמדות:

מצב הפעלה 1 ו-2

3. מצב הובלה

התאמת העומק בהתאם לצורכי המדשאה שלך.

1. כבו את המכונה והמתינו עד שהיא תעצר לחלוטין.

2. הסירו את מארז הסוללה.

3. משכו את ידית כוונן העומק ממעצור התנועה לאחור והציבו אותה במצב הרצוי.

| | | | |
|-----|-----------------|-----|-----------|
| D-1 | ידית כוונן עומק | D-2 | עמדת עומק |
|-----|-----------------|-----|-----------|

שונים של ממסים מסחריים ועל ידי השימוש בהם. השתמש במטליות נקיות על מנת להסיר לכלוך, אבק, שמן, חומר סיכה וכו'.

שימון

כל המיסבים של המוצר משומנים עם כמות מספקת של חומר סיכה ברמה גבוהה עבור כל חיי היחידה תחת תנאי הפעלה נורמליים. לכן, אין צורך בשימון נוסף.

החלפת הגליל

⚠ אזהרה: לפני ביצוע תחזוקה כלשהי, הסירו תמיד את מארז הסוללה מהמכונה וזכרו עד שהגליל יגיע לעצירה מוחלטת. לבשו תמיד כפפות מגן בעת הטיפול בשיניים.

להסרת הגליל

1. הסירו את מארז הסוללה מהראש החשמלי.
2. שימו את האביזר כשהוא הפוך על משטח יציב שטוח.
3. השתמשו במפתח המשושה המצורף באורך 5 מ"מ כדי לשחרר ולהסיר את שני בריחי הנעילה על תושבת המיסב של גליל מנקה הקרקע (איור E1).
4. דחפו את גליל מנקה הקרקע שמאלה עד שמוט הבליטה בקצה הימני יימשך החוצה ממרכז הבליטה של המכונה (איור E2).
5. הסירו את הגליל של מנקה הקרקע מהמכונה (איור E3).

| | | | |
|------|-------------|------|----------------|
| E1-1 | תושבת המיסב | E1-2 | גליל מנקה קרקע |
| E2-1 | מוט הכישור | E2-2 | רכזת הכישור |

להתקנת הגליל החדש

1. השאירו את תושבת המיסב של הגליל החדש על בסיס המכונה ודחפו את הגליל שמאלה הרחק ככל הניתן (איור F1).
2. יישרו והכניסו את מוט הבליטה בצד הימני של הגליל לתוך רכזת הבליטה של המכונה (איור F2).
3. יישרו את שני החורים בתושבת המיסב עם החורים בבסיס, אבטחו את תושבת המיסב לבסיס עם בריחי הנעילה (איור F3).

החלפת שיני המגרפה

בשימוש רגיל, שיני המגרפה יכולים להתבלות או להישבר עם הזמן. כאשר התאמת עומק השיניים אינה מספקת עוד את כמו ניקוי הקרקע המתאימה, או אם שן נשברת, יש לבצע את השלבים הבאים להחלפת השיניים.

תחזוקה

⚠ אזהרה: לפני בדיקה, ניקיון או עבודות שירות עבור המכונה, עצרו את המנוע, חכו שכל החלקים הנעים יפסיקו את פעולתם והסירו את מארז הסוללה. אי ביצוע הוראות אלה עשוי לגרום לפציעה אישית חמורה או נזק לרכוש.

⚠ אזהרה: ענדו תמיד משקפי בטיחות עם הגנה צדדית. אם לא תעשו זאת עצמים עלולים להיזרק אל תוך העיניים שלכם ועלולה להיגרם פציעה חמורה.

⚠ אזהרה: במקרה של עבודות תיקון, השתמש רק בחלקי חילוף זהים. שימוש בחלקי חילוף אחרים עלול לגרום לסכנה או נזק למוצר. על מנת להבטיח בטיחות ואמינות, יש לבצע את כל התיקונים, מלבד עבור הפריטים המצוינים בהוראות תחזוקה אלה, בעזרת טכנאי שירות מוסמך.

⚠ אזהרה: עצרו את המכונה והסירו את ערכת הסוללות כדי לוודא שכל החלקים הנעים נעצרו לחלוטין במקרה שפגעתם בחפץ זר. לאחר מכן, בדקו את המכונה לאיתור נזק ותקנו אותו לפני הפעלה מחדש ותפעול המכונה.

⚠ אזהרה: עצרו את המכונה והסירו את ערכת הסוללות כדי לוודא שכל החלקים הנעים נעצרו לחלוטין במקרה שהמכונה מתחילה לרטוט בצורה חריגה. לאחר מכן בדקו מיד אם יש נזק, החליפו או תקנו את כל חלקים פגומים, ובדקו וחזקו חלקים רופפים.

⚠ אזהרה: היו זהירים בעת כיוונון המוצר על מנת למנוע היתפסות של האצבעות בין החלקים הנעים וחלקים קבועים של המוצר.

ניקיון

⚠ אזהרה: בעת ניקוי אביזר מנקה הקרקע, אין להטבילו במים או בנוזלים אחרים.

הימנעו משימוש בממסים כאשר אתם מנקים את חלקי הפלסטיק. רוב חלקי הפלסטיק עלולים להינזק מסוגים

- אין לעבוד עם מוצר זה על מדשאה רטובה מכיוון שדשא רטוב נוטה לדבוק למשטח ולשיניים ויכול גם לגרום לך להחליק וליפול.
- החזיקו את המוצר בשתי הידיים. שמרו על ידיים יבשות כדי להבטיח תמיכה בטוחה.
- דחפו לאט את המוצר קדימה. הזיזו את המוצר במהירות המתאימה. אל תזיזו אותו מהר מדי כדי למנוע מהשיניים להידבק ולגרום לעומס יתר על המנוע.
- כבו את המוצר מיד אם אנשים אחרים נכנסים לאזור העבודה. הקפידו תמיד לתת למוצר להגיע לעצירה מוחלטת לפני שמינחים אותו.
- הימנעו מעומס עבודה חריג. קחו הפסקות קבועות כדי לוודא שאתם יכולים להתרכז בעבודה ויש לכם שליטה מלאה על המכונה.
- עבדו בשורות חופפות מעט. התבנית היעילה ביותר היא קווים ישרים לאורך אחד הצדדים (אזור C). תבנית זו תשמור על השורות שוות ותבטיח שכל המדשאה תתנקה מבלי לפספס שום נקודה.
- שימו לב במיוחד בעת שינוי כיוון.
- תמיד היו בטוחים בצעדים שלכם. החלקות ונפילות עלולות לגרום לפציעות אישיות. אם אתם מרגישים שאתם מאבדים את האיזון, כבו את המנוע מיד.
- אל תעבדו ליד מדרונות תלולים, תעלות או סכרים; אתם עלולים לאבד את האיזון שלכם או למעוד.

הפעלה/כיבוי של אביזר מנקה הקרקע

עיינו בסעיף "הפעלה/כיבוי של הראש החשמלי" במדריך המשתמש של PH1400E/PH1420E/PHX1600.

- **אזהרה:** יש לעצור את המכונה בעת הטייתה והובלתה על פני משטחים שאינם דשא ובעת הובלת המכונה אל ומהאזור שבו ברצונכם להשתמש בה.
- **אזהרה:** אל תטו את המכונה בעת הפעלת המנוע, אלא אם יש להטות את המכונה לצורך התנעה. במקרה זה, אל תטו את המכונה מעבר למידת הצורך והרימו רק את הצד אשר לא נמצא ליד המפעיל.

בדקו אם יש חסימה של השיניים

- כדי למנוע חסימות, נקו את הצד התחתון של המכונה לפני ואחרי כל שימוש כדי להסיר כל פסולת שהצטברה.
- כאשר מתרחשת חסימה, עצרו את המכונה והסירו את מארז הסוללה, לאחר מכן הסירו כל דשא או עלים שהצטברו מעל או מסביב לשיניים ולמשטח. נקו את המכונה בעזרת מטלית לחה.

התאמת העומק (אזור D)

- **אזהרה:** שימרו על רגליכם הרחק מן המשטח בעת כיוונן גובהו.

עיינו בסעיף "חיבור אביזר לראש החשמלי" במדריך למשתמש עבור הראש החשמלי PH1400E/PH1420E/PHX1600.

הפעלה

■ **אזהרה:** אל תניחו לעובדה שאתם מכירים את המוצר להפוך אתכם לפחות זהירים. זכרו שחוסר זהירות של שבריר אחד של שנייה מספיק לגרום לפציעה אישית חמורה.

■ **אזהרה:** חבשו תמיד מגני עיניים. אם לא תעשו זאת, עצמים עלולים לחדור לעיניים שלכם ועלולות לגרום לפציעה חמורה.

■ **אזהרה:** על מנת למנוע פציעות אישיות חמורות, הוציאו את מארז הסוללה מהמכונה לפני ביצוע כל עבודות שירות, ניקיון, החלפת אביזרים או הוצאה של חומרים מן המוצר.

■ **אזהרה:** אין לעשות שימוש בחיבורים או אביזרים אשר לא הומלצו על ידי יצרן מוצר זה. השימוש בחיבורים או אביזרים אשר לא הומלצו עלול לגרום לפציעה חמורה.

יישומים

הסר גזירים ישנים ויבשים, טחב, דשא או שרירי שורשים מהמדשאה.

הפעלה/עצירה של מנקה הקרקע

לפני השימוש במנקה הקרקע

■ **אזהרה:** על מנת למנוע פציעות אישיות חמורות, השתמשו במשקפיים או משקפי מגן בכל זמן בו אתם מפעילים את המוצר. לבשו מסכת פנים או מסכת אבק במקומות מאובקים. לבשו בגדים ונעליים מתאימים במהלך הפעולה כדי להפחית את הסיכון לפציעה שעלולה להיגרם על ידי פסולת מעופפת.

- יש לבדוק היטב את המוצר לפני השימוש. אל תשתמשו במוצר אם הוא פגום או נראה בלוי.
- ודאו כי הדשא נקי מאבנים, מקלות, חוטים או חפצים אחרים שיכולים לפגוע במוצר.
- כסחו את הדשא לפני העבודה ודשנו לאחר מכן.

עצות להפעלה

- כדי לגרום לצמיחה בריאה של המדשאה באביב, יש צורך בכמות גדולה יותר של אוויר שתחדור לאזור סביב שורשי הדשא. אנו ממליצים לנקות את המדשאה לפחות פעמיים בשנה, באביב או בסתיו, בהתאם למצב של המדשאה.
- למעט בחיטוחכם, אל תפעלו על מדרונות בעלי שיפוע גדול מ-15 מעלות. פעלו לרוחב פני המדרון, לעולם לא למעלה-למטה. היו מאוד זהירים בעת החלפת הכיוון על גבי מדרונות.

6. ידית כוונן עומק
7. מגן סטייה
8. סרגל מגרד
9. מפתח משושה 4 מ"מ
10. מפתח משושה 5 מ"מ
11. שיני מגרפה
12. גליל מנקה קרקע

| | | |
|------------------------------------------------------------------------|-------------------|--------------------------|
| 2.35 מ"/שנייה ² 1.5=K מ"/שנייה ² (PH1400E) | ידית עזר קדמית | הערכת רטט a _n |
| 2.36 מ"/שנייה ² 1.5=K מ"/שנייה ² (PH1420E) | | |
| 2.63 מ"/שנייה ² 1.5=K מ"/שנייה ² (PHX1600) | | |
| 2.66 מ"/שנייה ² 1.5=K מ"/שנייה ² (PH1400E) | ידית אחורית | |
| 2.24 מ"/שנייה ² 1.5=K מ"/שנייה ² (PH1420E) | | |
| 1.74 מ"/שנייה ² 1.5=K מ"/שנייה ² (PHX1600) | | |
| משקל (עם גליל מנקה הקרקע) 7.4 ק"ג | | |

הרכבה

⚠ אזהרה: אם ישנם חלקים ניזוקים או חסרים, אל תפעילו את המכשיר עד אשר חלקים אלו יוחלפו. שימוש במכשיר זה עם חלקים פגומים או חסרים עלול לגרום לפציעה אישית חמורה.

⚠ אזהרה: אל תנסו לשנות את המוצר או ליצור אביזרים אשר אינם מומלצים לשימוש ביחד עם המסור המוצר. כל שינוי או הוספה מהווים שימוש לא נכון במכשיר ועלול ליצור תנאים מסוכנים שעלולים להוביל לפציעה אישית.

חבר את מוט החיבור למכלול מנקה הקרקע (איור B)

| | | | |
|-----|------------|-----|------------|
| B-1 | בריח M5 | B-4 | חור |
| B-2 | בריח | B-5 | חור בורג |
| B-3 | מוט האביזר | B-6 | מכסה תחתון |

1. שימו את מכלול מנקה הקרקע הפוך על משטח שטוח יציב.
 2. הסירו את מכסה הקצה מהקצה הקדמי של מוט האביזר.
 3. כאשר החור במוט האביזר פונה למעלה, הכנס את מוט האביזר לתוך הכיסוי התחתון של האביזר רחוק ככל האפשר. ישר את חור ההברגה במכסה התחתון עם החור במוט האביזר.
 4. באמצעות המפתח המשושה המצורף, בקוטר 4 מ"מ, הצמידו את הכיסוי התחתון למוט האביזר עם הבורג M5.
 5. באמצעות המפתח המשושה, הדקו היטב את שני הברגים המותקנים מראש למכסה התחתון.
- ⚠ אזהרה:** ודאו ששלושת הברגים מהודקים לגמרי לפני הפעלת הציוד, בדקו אותם בקביעות להידוק בזמן השימוש כדי למנוע פציעה אישית חמורה.

חיבור מנקה הקרקע לראש החשמלי

אביזר מנקה הקרקע הזה מיועד לשימוש עם הראש החשמלי EGO PH1400E/PH1420E/PHX1600.

- הפרמטרים לעיל נבדקים ונמדדים ביחד עם ראש חשמלי PH1400E/PH1420E/PHX1600.
- ערך הרטט הכללי המוצהר נמדד בהתאם לשיטת בדיקה סטנדרטית וניתן להשתמש בו על מנת להשוות ציוד אחד עם ציוד אחר.
- ניתן להשתמש בערך הרטט הכללי המוצהר בהערכה ראשונית של חשיפה.

⚠ אזהרה: פליטת הרטט בעת השימוש המעשי במכשיר יכולה להיות שונה מן הערך המוצהר כאשר המכשיר נמצא בשימוש; כדי להגן על המפעיל, על המשתמש לבלוש כפפות ומגני אוזניים בעת השימוש למעשה.

⚠ אזהרה: יש צורך לזהות אמצעי בטיחות להגנה על המפעיל המבוססים על אומדן החשיפה בתנאי השימוש בפועל (תוך התחשבות בכל חלקי מחזור ההפעלה כגון זמני כיבוי המכשיר ומתי הוא פועל במצב סרק בנוסף לזמן ההדק).

תיאור

הכירו את אביזר מנקה הקרקע שלכם (תמונה A)

1. מכסה אחורי (2)
2. מוט האביזר
3. מכסה תחתון
4. הלגל
5. הרכבת מכסה עליון

HE

אזהרות נוספות

- השתמשו רק עם ראש חשמלי EGO PH1400E/PH1420E/PHX1600.
- הערה: עיין במדריך המשתמש של EGO Power Head PH1400E/PH1420E/PHX1600 לקבלת כללי בטיחות מפורטים והוראות שימוש.

יש לשמור על הוראות אלה

מפרטים

| | |
|---------------------------------------------------------|------------------------------------------|
| רוחב עבודה מרבי | 355 מ"מ |
| מהירות ללא עומס (עם PH1420E) | נמוכה: 2600 סיבובים לדקה |
| | גבוה: 3000 סיבובים לדקה |
| כוונן עומק | 3 עמדות |
| עומק ניקוי | 0 / 10 מ"מ / 20 מ"מ |
| טמפרטורת הפעלה מומלצת | 0°C עד 40°C |
| טמפרטורת אחסון מומלצת | -20°C עד 70°C |
| רמת עוצמת קול נמדדת L_{WA} | 88 dB(A) K=2 dB(A) (PH1400E) |
| | 88.49 dB(A) K=0.81 dB(A) (PH1420E) |
| | 90 dB(A) K=0.9 dB(A) (PHX1600) |
| רמת לחץ קול באוזן המפעיל L_{PA} | 82 dB(A) K=3 dB(A) (PH1400E) |
| | 79.8 dB(A) K=3 dB(A) (PH1420E) |
| | 82 dB(A) K=3 dB(A) (PHX1600) |
| רמת עוצמת קול מובטחת L_{WA} (נמדד בהתאם ל-2000/14/EC) | 92 dB(A) |

ועצמים זרים אחרים. חפצים שנזרקו עלולים לגרום לפציעות אישיות.

- פני השימוש במכונה, בדקו תמיד חזותית כדי לראות שהשיניים ומכלול השיניים אינם שחוקים או פגומים. חלקים שחוקים או פגומים מגבירים את הסיכון לפציעה.

- השאירו את המגנים במקומם. המגנים חייבים להיות תקינים ולהיות מותקנים כראוי. מגן רופף, פגום או שאינו מתפקד כראוי עלול לגרום לפציעה אישית.

- הקפידו שכל פתחי כניסת האוויר הקר יהיו נקיים מפסולת. פתחי אוויר חסומים ופסולת עלולים לגרום להתחממות יתר או לסיכון לשריפה.

- בעת הפעלת המכשיר, יש לנעול תמיד נעליים מונעות החלקה ומגנות. אל תפעילו את המכשיר כאשר אתם יחפים או נועלים סנדלים. הדבר מקטין את הסיכוי לפציעה בכפות הרגליים ממגע עם השיניים הנעות.

- בעת הפעלת המכשיר, יש ללבוש תמיד מכנסיים ארוכים. עור חשוף מגביר את הסבירות לפגיעה מחפצים שנזרקים.

- אל תפעילו את המכונה על דשא רטוב. לכן, לעולם אל תרוצו. הדבר מקטין את הסיכון להחלקה ולנפילה שעלולים לגרום לפציעה אישית.

- אין להפעיל את המכשיר במדרונות תלולים במיוחד. הדבר מקטין את הסיכון לאובדן שליטה, החלקה ונפילה שעלולים לגרום לפציעה אישית.

- כשאתם עובדים על מדרונות, תמיד היו בטוחים ביציבות הרגליים שלכם, עבדו תמיד על פני המדרונות, לעולם לא כלפי מעלה או כלפי מטה ונקטו משנה זהירות כשאתם משנים כיוון. הדבר מקטין את הסיכון לאובדן שליטה, החלקה ונפילה שעלולים לגרום לפציעה אישית.

- היו זהירים ביותר בעת הליכה לאחור או כאשר אתם מושכים את המכשיר אליכם. היו מודעים תמיד לסביבה שלכם. זה מקטין את הסיכון למעידה במהלך הפעולה.

- החזיקו את המכונה בעזרת משטחי המאזן המבודדים בלבד, בגלל שהשיניים עלולים לפגוע בכבלים חבויים. שיניים הבאות במגע עם כבל "ח" עלולות לגרום לחלקי מתכת של המכונה להפוך ל"חיים" והם עלולים לגרום שוק חשמלי למפעיל.

- אין לגעת בשיניים ובחלקים נעים מסוכנים אחרים בזמן שהם עדיין בתנועה. הדבר מקטין את הסיכון לפציעה מחלקים נעים.

- בעת פינוי חומרים תקועים או ניקוי המכונה וודאו שכל מתגי ההפעלה נמצאים במצב כבוי ושמארז הסוללה מנותק. פעולה בלתי צפויה של המכונה עלולה לגרום לפציעה אישית חמורה.

השימוש והטיפול בסוללת המכונה

- הטעינו רק עם המטען המצוין על ידי היצרן. מטען המתאים למארז סוללה אחד עלול ליצור סכנת אש עבור מארז סוללה אחר.
- יש להשתמש במכשירים אך ורק עם מארזי הסוללה המיועדים להם. השימוש במארזי סוללה אחרים עלול ליצור סיכון לפציעות ושרפות.
- כאשר מארז הסוללה איננו בשימוש, שימרו עליו במרחק מסוים מעצמים אחרים העשויים ממתכת, כגון מהדקי נייר, מטבעות, מפתחות, מסמרים, ברגים או עצמים קטנים ממתכת העלולים לבצע חיבור של מסוף אחד למשנהו. ביצוע קצר בין מסופי הסוללה עלול לגרום לכוויות או שריפה.

- בתנאי שימוש לא נאותים, נזל עלול להיפלט מן הסוללה; הימנעו ממגע עמו. אם ישנו מגע מקרי, שטוף את האזור במים. אם מתרחש מגע עם העיניים, פנו לעזרה רפואית. נזל הנפלט מן הסוללה עלול לגרום לפריחה או כוויות.

- אל תשתמשו במארז סוללה או מכשיר ניזוקים או אשר שנו. סוללות ניזוקות או אשר שנו עלולות להתנהג בצורה לא צפויה אשר עלולה להסתיים בשריפה, פיצוץ או סיכון לפציעה אישית.

- אל תחשפו את מארז הסוללה או את המכשיר לאש או לטמפרטורות גבוהות. חשיפה אל אש או לטמפרטורות הגבוהות מ-130°C עלולה לגרום לפיצוץ.

- בצעו את כל הוראות ההטענה ואל תטעינו את מארז הסוללה או את המכשיר מחוץ לטווחי הטמפרטורה המצוינים בהוראות אלו. הטענה לא נכונה או מחוץ לטווחי הטמפרטורה המצוינים עלולים לגרום לנזק ולהעלות את הסיכון לשרפה.

שירות

- בצעו עבודות שירות במכשיר שלכם רק באמצעות טכנאי שירות מוסמך העושה שימוש בחלקי חילוף זהים בלבד. הדבר יבטיח שבטיחות המכשיר נשמרת.
- לעולם אל תבצעו עבודות שירות למארזי סוללה ניזוקים. תיקון של מארזי סוללה צריך להתבצע רק על ידי היצרן או ספקי שירות מוסמכים.

אזהרות בטיחות למנקה קרקע

- אין להשתמש במכשיר בתנאי מזג אוויר רע, במיוחד כאשר ישנו סיכון לברק. הדבר מפחית את הסיכון להיפגע על ידי ברק.
- בדקו ביסודיות את האזור בו אמורים להשתמש במכשיר עבור חיות בר. חיות בר עלולות להיפגע על ידי המכשיר במהלך הפעולה.
- חקרו בזהירות את האזור בו אתם רוצים להשתמש במכשיר והסירו אבנים, מקלות, כבלים, עצמות

- לבשו בגדים מתאימים. אין ללבוש בגדים רפויים או תכשיטים. שימרו על השיער שלכם ועל חלקי ביגוד הרחק מחלקים נעים. בגדים רפויים, תכשיטים או שיער ארוך עלולים להתפס בחלקים הנעים.
- אם המכשירים מגיעים ביחד עם חיבור להוצאת אבק ומתקני איסוף, וודאו שאלו מחוברים כהלכה והשימוש בהם נעשה באופן נכון. השימוש במתקנים לאיסוף אבק יכול להפחית סכנות הקשורות לאבק.
- נקטו זהירות בעת השימוש במכונה גם לאחר שאתם בקיאים בשימוש בה, ואל תיתנו לנוחיות השימוש שלכם להפוך אתכם לשאננים ולהתעלם מעקרונות הבטיחות. פעולה לא זהירה עלולה לגרום לפציעה חמורה בשבירר שניה.

השימוש והטיפול במכשיר

- אל תפעילו כוח על המכשיר. השתמשו במכשיר המיועד למטרה שלכם. המכשיר הנכון יבצע את עבודתו בצורה טובה ובטוחה יותר בקצב בו הוא תוכנן לפעול.
- אין להשתמש במכשיר אם מתג ההפעלה והכיבוי אינו פועל. מכשיר אשר לא ניתן לשלוט בו בעזרת המתג הוא מסוכן ויש לתקן אותו.
- נתקו את התקע ממקור החשמל ו/או הסירו את מארז הסוללה מן המכשיר, אם ניתן, לפני ביצוע כל התאמה, שינוי של אביזרים, או אחסון של מכשירים. אמצעי זהירות למניעה אלו מפחיתים את הסיכון להפעלה מקרית של המכשיר.
- יש לאחסן את המכשיר כשאינו בשימוש מחוץ להישג ידם של ילדים ואין לאפשר לאנשים שאינם מכירים את המכשיר או את ההוראות האלה להפעיל את המכשיר. מכשירים מסוכנים כאשר הם בהישג ידם של אנשים אשר לא הוכשרו להפעיל אותם.
- תחזקו מכונות ואביזרים. בדקו יישור או ליפוף של חלקים נעים, שבירה של חלקים ותנאים אחרים אשר עלולים להשפיע על פעולת המכשיר. במקרה של נזקים, יש לתקן את המכשיר לפני השימוש. תאונות רבות נגרמות כתוצאה מתחזוקה לקויה של מכשירים.
- שמרו על מכונות חיתוך חדות ונקיות. למכשירי חיתוך אשר תוחזקו כהלכה בעלי קצוות חדים יש פחות סיכוי לבצע ליפוף וקל יותר לשלוט בהם.
- השתמשו במכשירים, באביזרים, בביטים של המכשירים וכו' בהתאם להוראות אלו, כאשר אתם לוקחים בחשבון את תנאי העבודה ואת העבודה שיש לבצע. השימוש במכשיר לפעולות שלהן הוא אינו מיועד עלול להוביל למצב מסוכן.
- שימרו על חידיות ועל חלקי האחיזה יבשים, נקיים וללא שמן או חומרי סיכה. ידיות ומשטחי אחיזה מחלקים לא מאפשרים טיפול נכון ושליטה במכשיר במצבים לא צפויים.

בטיחות חשמלית

- התקעים של המכונה צריכים להיות מתאימים לשקע. לעולם אל תשנו את התקע בכל צורה שהיא. אל תשתמשו במתאמים עבור תקעים של מכשירים בעלי הארקה. תקעים שלא שונו ושקעים מתאימים יפחיתו את הסיכון לשוק חשמלי.**
- הימנעו ממגע עם משטחים בעלי הארקה, כגון צינורות, רדיאטורים, כיריים ומקררים. יש סיכון גבוה להלם חשמלי אם הגוף שלכם מוארק.**
- אין להפעיל את המכונה בתנאי גשם או רטיבות. זה עשוי להגביר את הסיכון להתחשמלות.**
- אל תפעילו לחץ על הכבל. לעולם אל תשתמשו בכבל על מנת לשאת, למשוך או להוציא את המכונה מן השקע. שימרו על הכבל הרחק ממקורות חום, שמן, קצוות חדים או חלקים נעים. כבלים ניזוקים או מלופפים מגבירים את הסיכון לשוק חשמלי.**
- בעת הפעלת המכונה בחוץ, עשו שימוש בכבל מאריך המתאים לשימוש בחוץ. השימוש בכבל מאריך המתאים לשימוש בחוץ מפחית את הסיכון לשוק חשמלי.**
- אם לא ניתן להימנע מהפעלת המכונה במקום לח, עשו שימוש במפסק פחת (GFCI) להגנה על המתח. השימוש במפסק פחת מפחית את הסיכון להתחשמלות.**

בטיחות אישית

- יש להישאר דרוכים ומודעים, ולהשתמש בשל הישר בעת שימוש במכונה. נא לא להשתמש במכונה כאשר אתם עייפים או תחת השפעה של סמים, אלכוהול או תרופות. רגע אחד של חוסר תשומת לב בעת הפעלת מכשירים עלול לגרום לפציעה אישית חמורה.**
- השתמשו בציוד הגנה אישי. חבשו תמיד מגני עיניים, כאשר נעשה שימוש בציוד הגנה כגון מסכת אבק, נעלי בטיחות נגד החלקה, כובעים קשים או מגני אוזניים, בתנאים המתאימים, הדבר יפחית את הסיכון לפציעות אישיות חמורות.**
- יש להימנע מהפעלה מקרית. וודאו שהמתג נמצא במצב כבוי לפני חיבור של מקור מתח ו/או מארז הסוללה, לפני הרמת המכשיר או נשיאתו. נשיאה של מכשירים כאשר האצבע שלכם ממוקמת על המתח או חיבור מקורות מתח למכשירים הנמצאים במצב פועל, מזמזמים תאונות.**
- יש להסיר כל כלי כוונון או מפתח ברגים לפני הפעלת המכשיר. מפתח ברגים או כלי כוונון המוצמדים אל רכיב מסתובב של המכשיר עלול לגרום לפציעה אישית חמורה.**
- אל תנסו להתמתח רחוק מדי. שימרו על צעד ואיזון בטוחים בכל זמן. הדבר מאפשר שליטה טובה יותר במכשיר במצבים בלתי צפויים.**

| | | |
|----------|------------------------|-----------------------------------------------------|
| — — — — | זרם ישיר (DC) | סוג או מאפיין מתח |
| מ"מ | מילימטר | אורך או גודל |
| ק"ג | קילוגרם | משקל |
| דקה | דקות | זמן |
| n_0 | מהירות ללא עומס | מהירות סיבובית, ללא עומס |
| $1D$ דקה | סיבובים או החזרות לדקה | סיבובים, משיכות, מהירות פני השטח, מסלולים וכו' לדקה |
| סל"ד | סיבובים לדקה | מהירות סיבובית |
| °C | מעלות צלזיוס | טמפרטורה |

⚠ אזהרה: על מנת להבטיח בטיחות ואמינות, יש לבצע את כל התיקונים וההחלפות בעזרת טכנאי שירות מוסמך.

אזהרות בטיחות כללית עבור מכונה המופעלות על ידי סוללה

⚠ אזהרה: קראו את כל האזהרות הבטיחות, את ההוראות, התמונות והמפרטים המסופקים ביחד עם מכונה זו. אי מילוי כל ההוראות המופיעות למטה עלול לגרום להלם חשמלי, שרפה ו/או פציעה חמורה.

שימרו את כל האזהרות וההוראות לעיון עתידי. המושג "מכונה" בחלק האזהרות מתייחס אל המכונה שלכם (חוט"י) או מכונה המונעת על ידי סוללות (אלחוט"י).

בטיחות סביבת העבודה

- שימרו על סביבת העבודה נקייה ומוארת כהלכה. אזורים עמוסים או חשוכים מזמזמים תאונות.**
- אל תפעילו מכשירים באזורים דליקים, בנוכחות נוזלים דליקים, דלק או אבק. מכשירים מייצרים ניצוצות שעלולים להצית את האבק או האדים.**
- בקשו מילדים ומעוברי אורח להתרחק מן המכונה בעת הפעלתה. הסחות דעת עלולות לגרום לכם לאבד שליטה.**

| | | |
|-------------------------------------------------------------------------------------------------------|----------------------------------------------------|---|
| מציין סכנת פגיעה אישית פוטנציאלית. | התראת בטיחות | |
| על מנת להפחית את הסיכון לפציעות, על המשתמש לקרוא ולהבין את המדריך למשתמש לפני השימוש במוצר זה. | קראו והבינו את המדריך למפעיל | |
| חבשו תמיד משקפי מגן או משקפי בטיחות עם הגנה צדדית, ובעת הצורך, הגנה עבור כל הפנים, בעת הפעלת מוצר זה. | לבשו מגני עיניים | |
| מזהיר את המשתמש מפני חפצים מושלכים - הרחיקו עוברי אורח. | אזהרה - היזהרו מחפצים מושלכים - הרחיקו עוברי אורח. | |
| מזהיר את המשתמשים להרחיק ידיים ורגליים. | סכנה - הרחיקו ידיים ורגליים | |
| מזהיר את המשתמש להרחיק את הידיים והרגליים מהשיניים. | אזהרה - יש להרחיק את הידיים והרגליים מהשיניים | |
| מוצר זה תואם לתקנות ה-EC הרלוונטיות. | CE | |
| מוצר זה תואם לחוקים הרלוונטיים בבריטניה. | UKCA | |
| אין לזרוק מוצרים חשמליים עם האשפה הביתית. הביאו את המכונה למרכז מחזור מוסמך. | WEEE | |
| רמת עוצמת קול מובטחת. פליטת רעש אל הסביבה בהתאם לתקנת הנציבות האירופית. | רעש | |
| מתח | ולט | V |

קראו את כל ההוראות!

קראו את מדריך ההוראות

סמלי בטיחות

מטרתם של סמלי הבטיחות היא למשוך את תשומת לבך לסכנות אפשריות. סמלי הבטיחות וההסברים שלהם דורשים את תשומת הלב וההבנה המלאות שלך. סמלי הבטיחות בעצמם לא ימנעו כל סכנה. ההוראות והאזהרות אותן הם מספקים לא תחלפנה נקיטת אמצעי מניעה מתאימים בעת תאונה.

⚠ אזהרה: ודאו שאתם קוראים ומבינים את כל הוראות הבטיחות המופיעות במדריך זה למשתמש, כולל כל סימני התראות הבטיחות כגון "סכנה", "אזהרה" ו"זהירות" לפני השימוש במכונה. אי מילוי כל ההוראות המופיעות למטה יכול לגרום להתחשמלות, שרפה ו/או פציעות אישיות חמורות.

פירוש הסמל

⚠ סמל התראת בטיחות: מעיד על סכנה, אזהרה, או זהירות. יכול להיות מלווה בסימנים או תמונות אחרים.

⚠ אזהרה: הפעלה של מכשירים עלולה לגרום לעצמים זרים להיזרק אל תוך העיניים, דבר העלול לגרום לנזק חמור לעיניים. לפני ההפעלה של המכונה, ענדו תמיד משקפי מגן או משקפי בטיחות עם הגנה צדדית, ובעת הצורך, הגנה עבור כל הפנים. אנו ממליצים על שימוש במסכת בטיחות רחבה מעל למשקפי המגן או על שימוש במשקפי בטיחות עם הגנה צדדית.

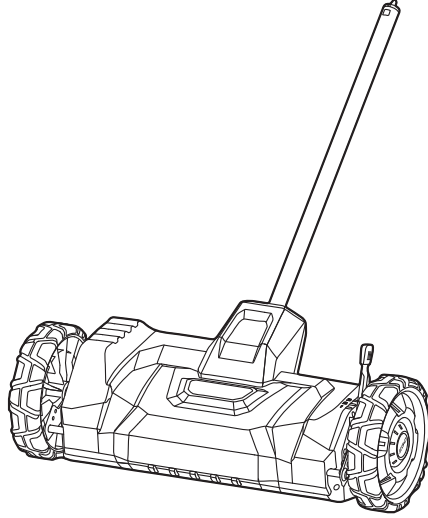


הוראות בטיחות

עמוד זה מציין ומתאר את סמלי הבטיחות העשויים להופיע על גבי המוצר. קראו, הבינו ועקבו אחר ההוראות המופיעות על המכונה לפני כל ניסיון להרכיב ולהשתמש בה.

EGO™

POWER⁺ DETHATCHER ATTACHMENT



DA1400

אביזר מנקה קרקע HE

ملحق جامعة القش AR

