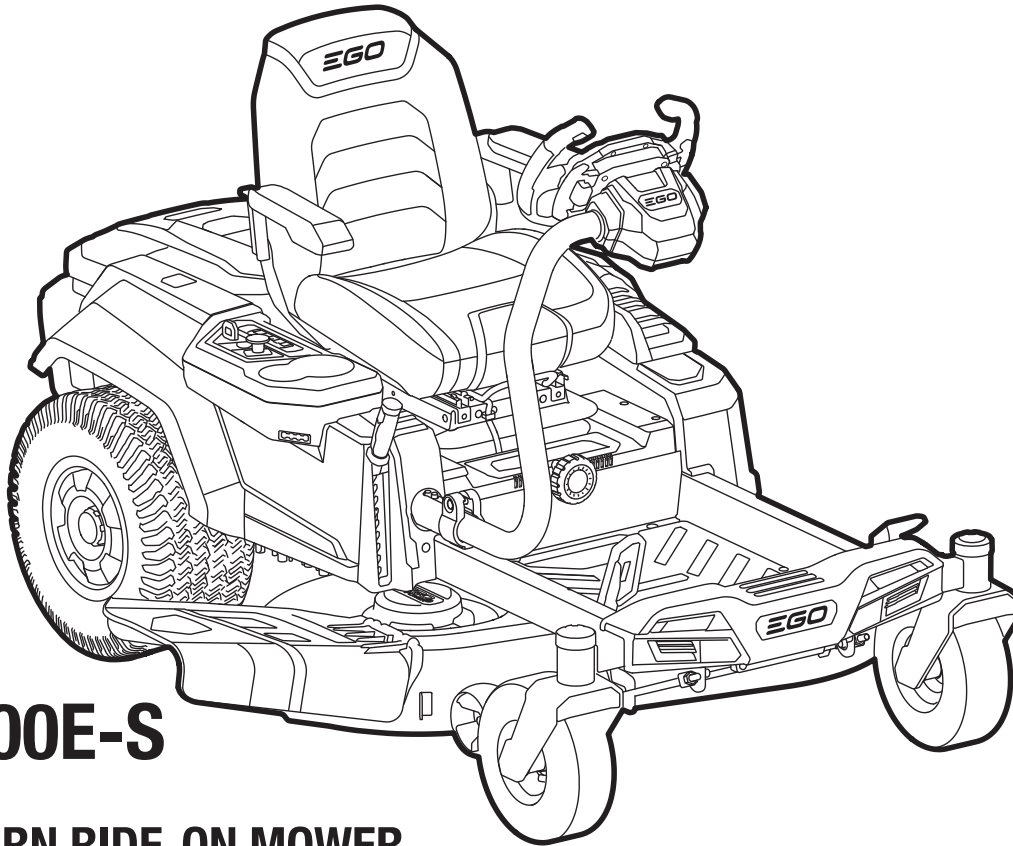


# EGO™

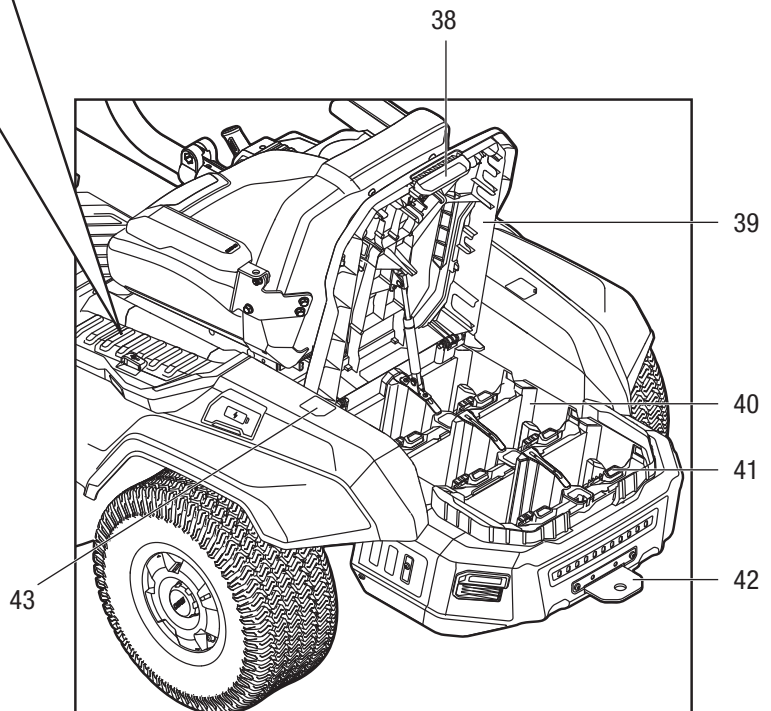
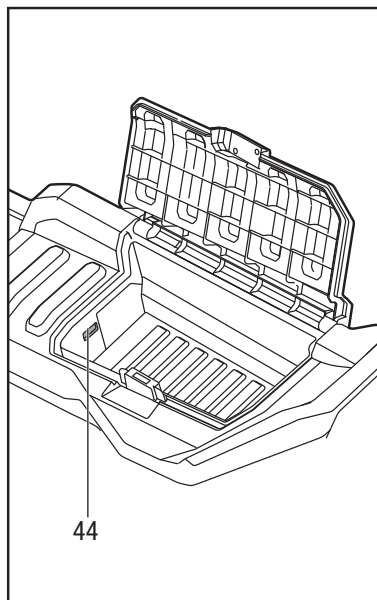
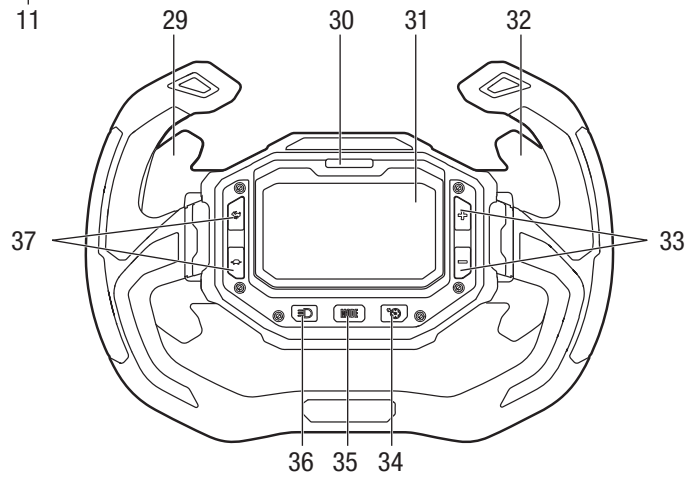
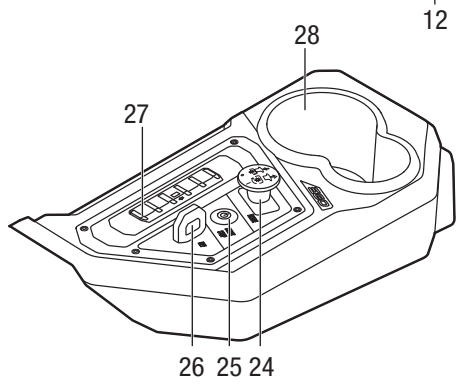
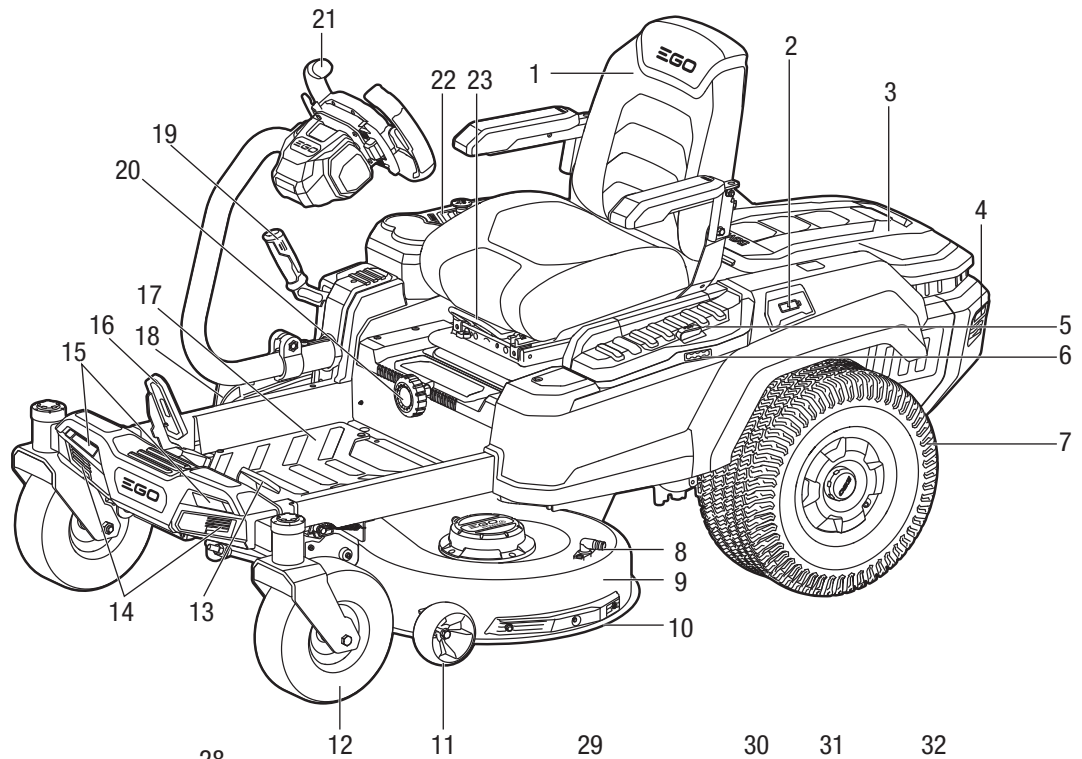
## POWER<sup>+</sup> ZERO TURN RIDE-ON MOWER



### ZT4200E-S

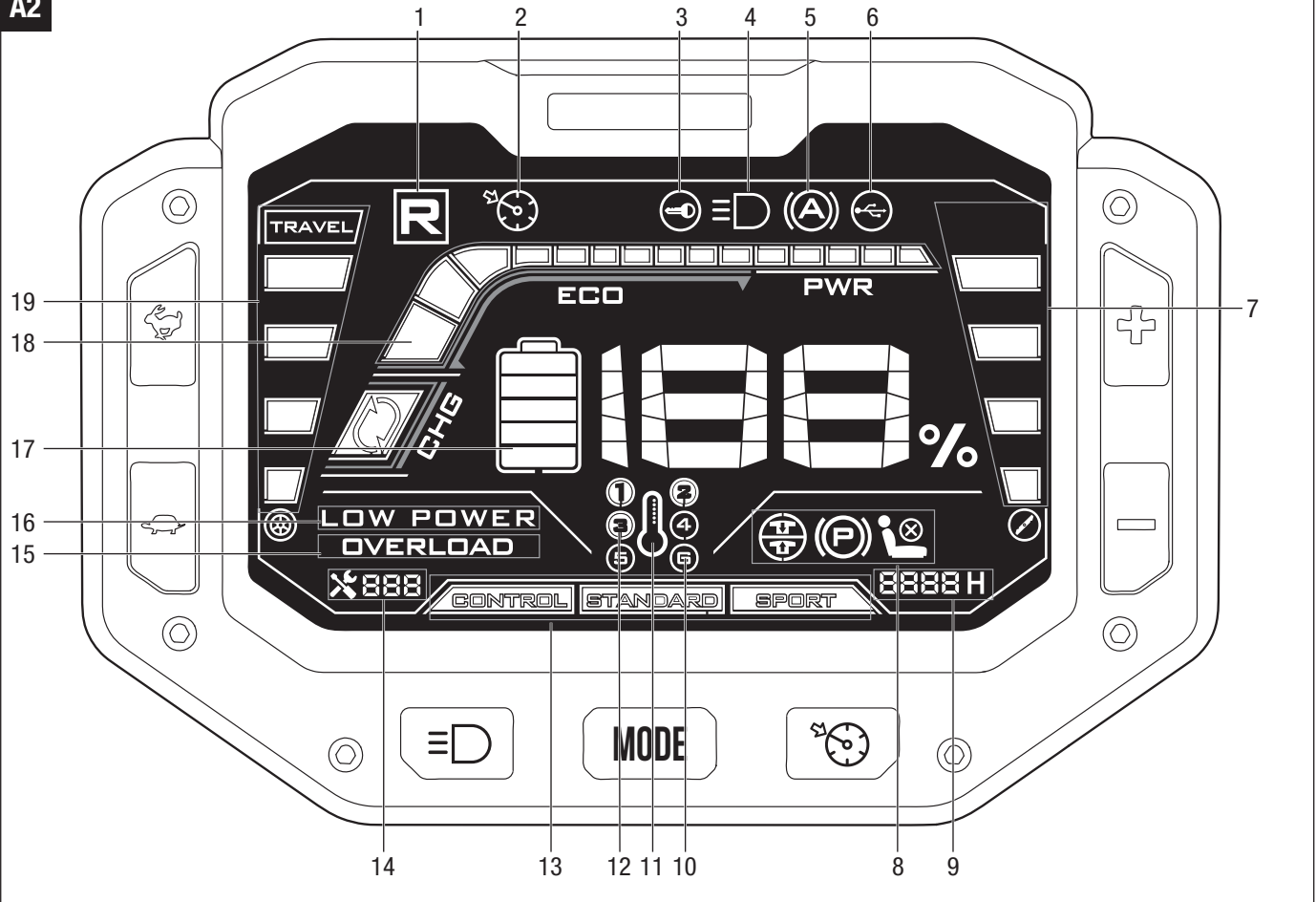
### ZERO TURN RIDE-ON MOWER

EN	Zero turn ride-on mower	20	RO	Mașină de tuns iarba fără virare	475
DE	Aufsitzrasenmäher	46	SL	Kosilnica s sedežem in možnostjo obračanja na mestu	504
FR	Tondeuse autoportée à rayon de braquage zéro	75	LT	Nulinio posūkio spindulio traktoriukas	531
ES	Tractor cortacésped de giro cero	105	LV	Nulles pagrieziena braucamais zāles pļāvējs	558
PT	Trator corta-relva zero turn	136	GR	Χλοκοπτική μηχανή τύπου ride-on zero turn	586
IT	Trattorino tagliaerba a raggio zero	164	TR	Sifir dönüşlü çim biçme traktörü	619
NL	Zero-turn zitgrasmaaier	193	ET	Nullpöödraadiusega pealistutav muruniiduk	648
DK	Zero turn havetraktor	223	UK	Самохідна їздова косарка з нульовим радіусом повороту	673
SE	Spakstyrd åkgräsklippare	250	BG	Трактор-косачка с нулев завой	702
FI	Paikallaan kääntyvä ajettava ruohonleikkuri	277	HR	Traktorska kosilica s okretom u mjestu	734
NO	Zero turn sitteklipper	304	KA	მობილური ნულგვანი რადიუსის მქონე ბალახის საკრეჭი ტრაქტორი	761
RU	Самоходная косилка с нулевым радиусом поворота	330	SR	Traktorska kosilica koja skreće u mestu	791
PL	Kosiarka samojezdna o zerowym promieniu skrętu	363	BS	Kosilica za vožnju s nultim okretom	817
CZ	Anerotační pojezdová sekačka na trávu	394	HE	(0 רדיוס סיבוב) TURN ZERO מנסחת דשא רכובה	895
SK	Pojazdová kosačka s nulovým polomerom otáčania	421	AR	جهازة صغرىة زاوية الدوران بظهر للركوب	869
HU	Zero turn (helyben megforduló) fűnyíró traktor	447			

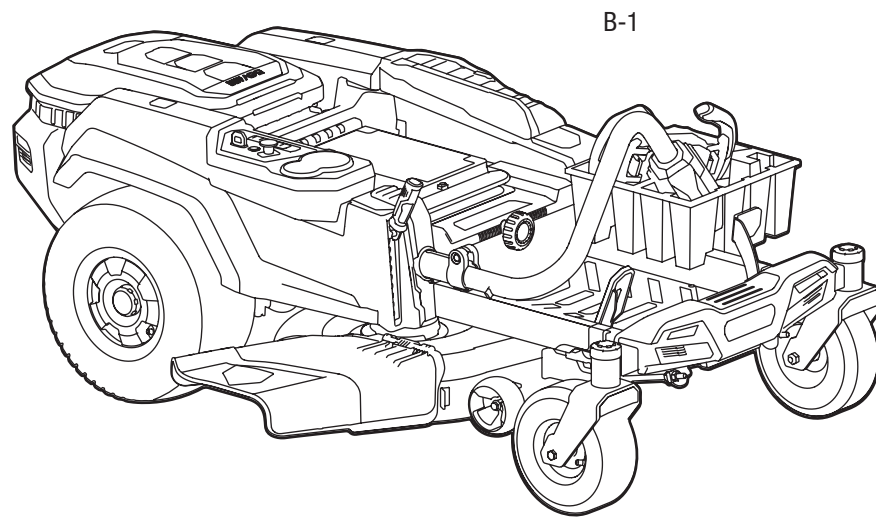




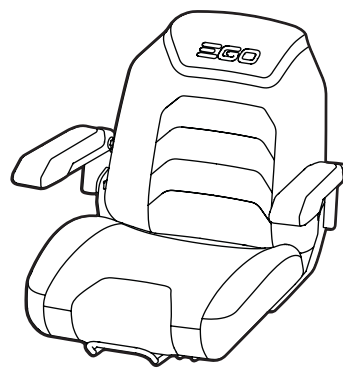
A2



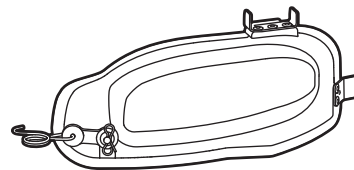
**B**



**X 1**



**X 1**



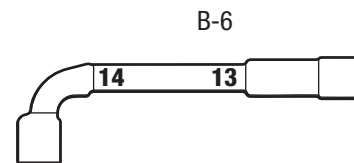
**X 1**



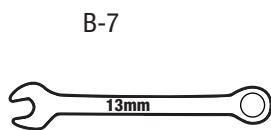
**X 6**



**X 1**



**X 1**



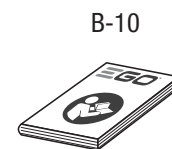
**X 1**



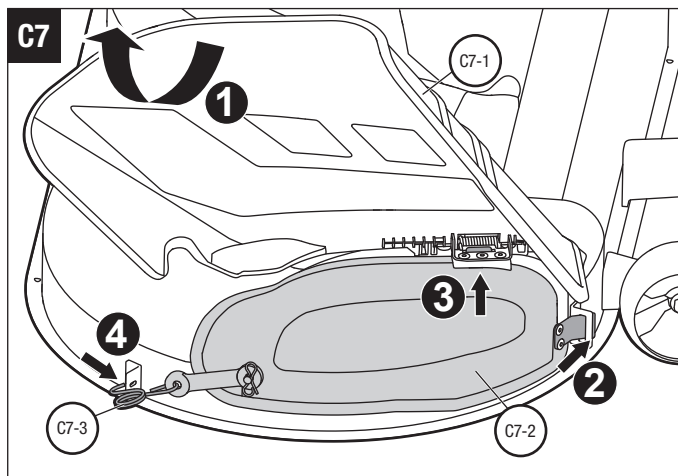
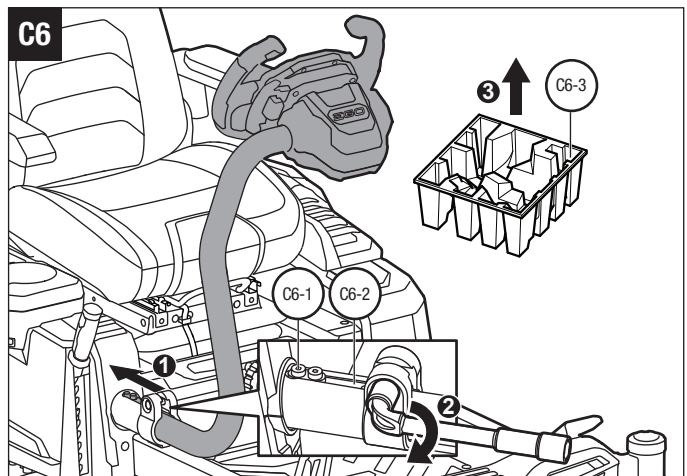
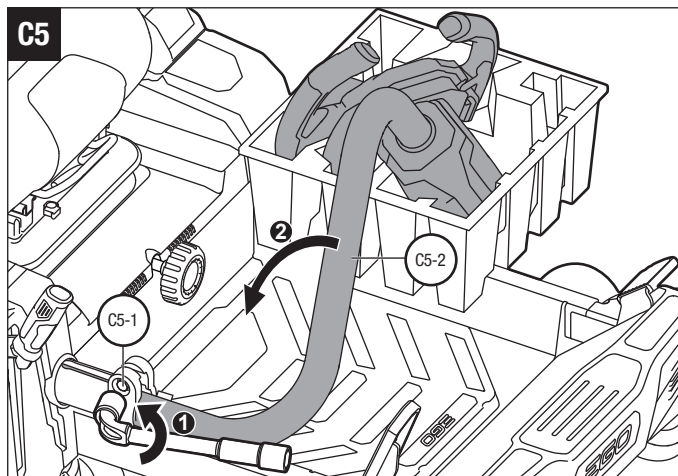
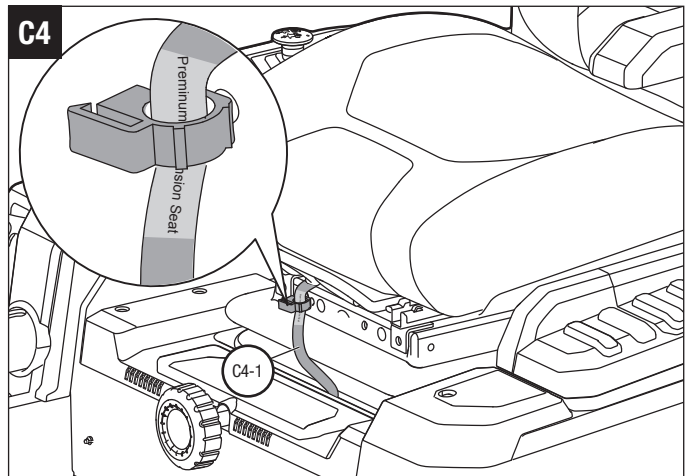
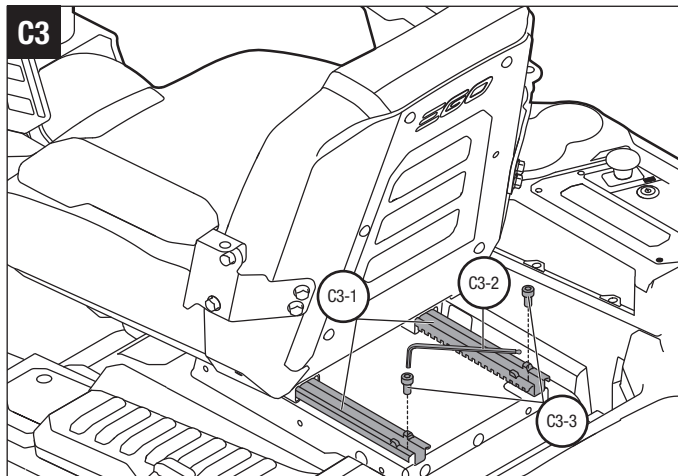
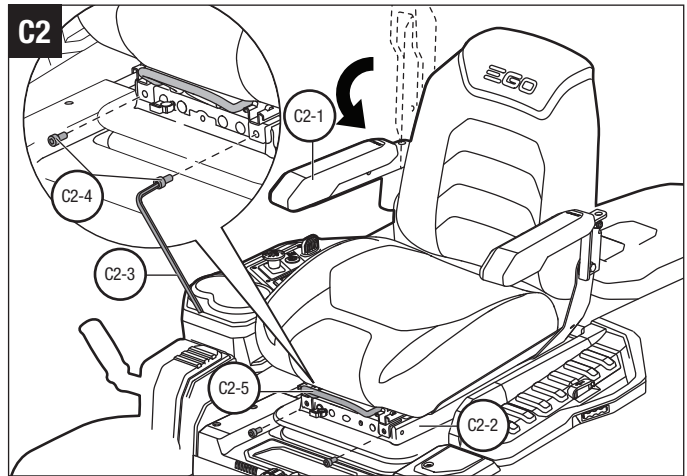
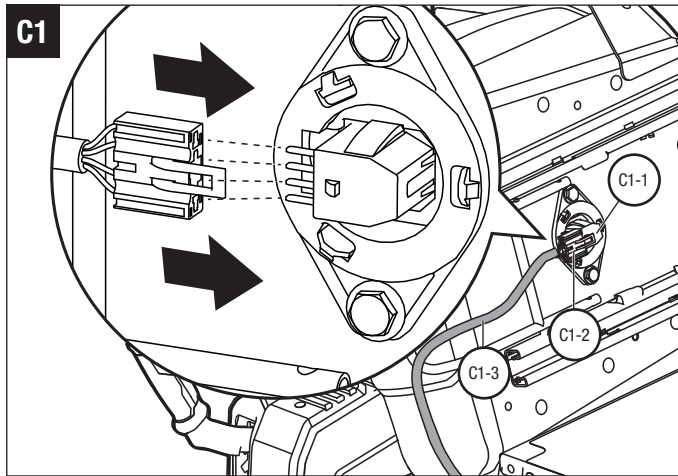
**X 2**



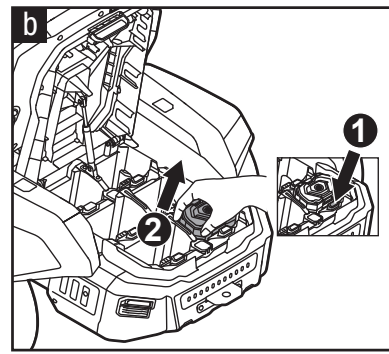
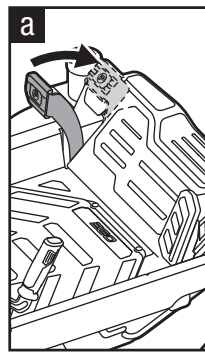
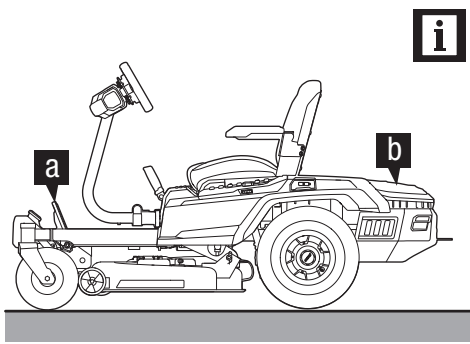
**X 1**



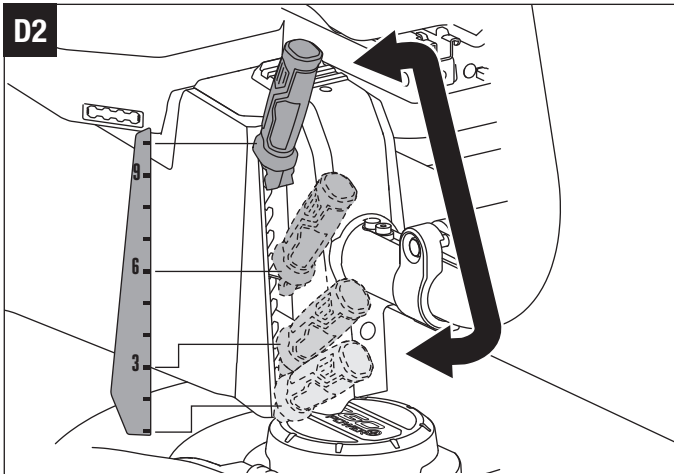
**X 1**



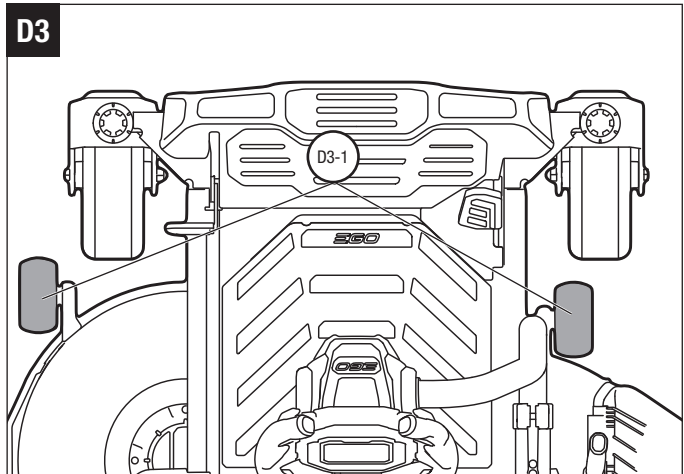
D1



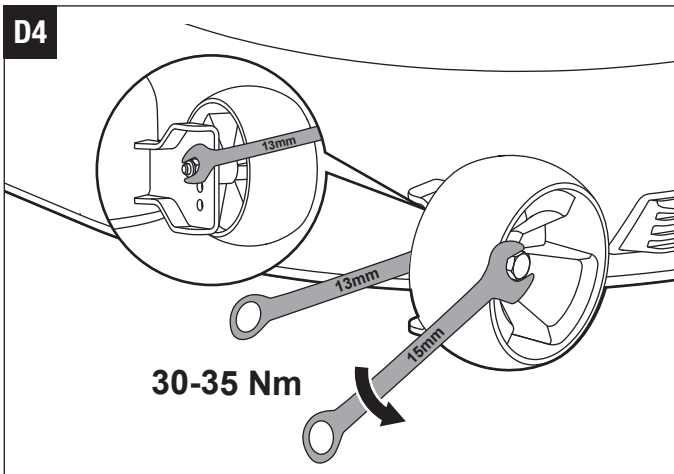
D2



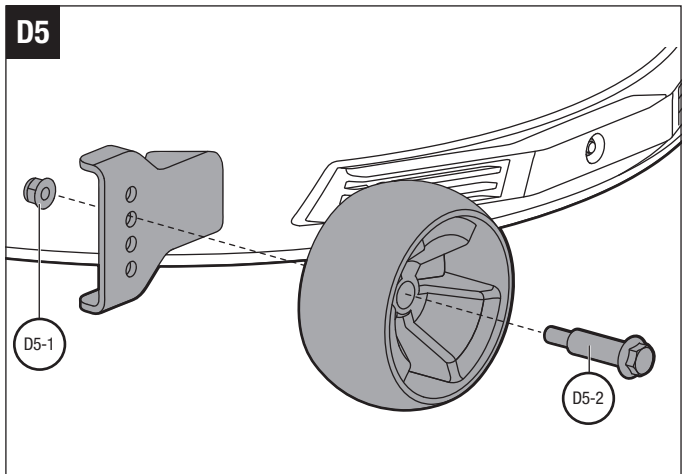
D3



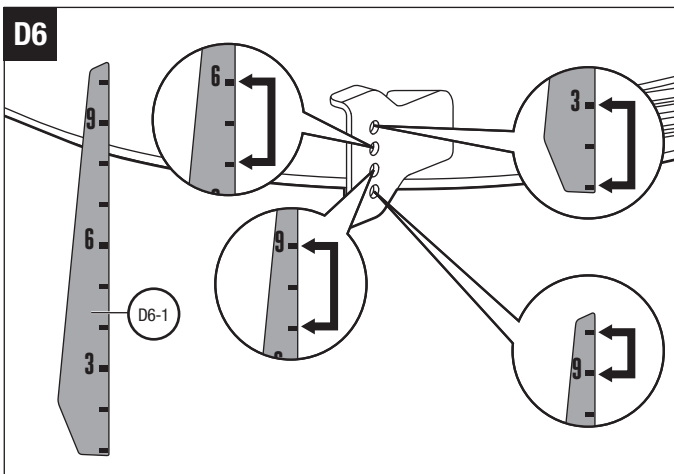
D4



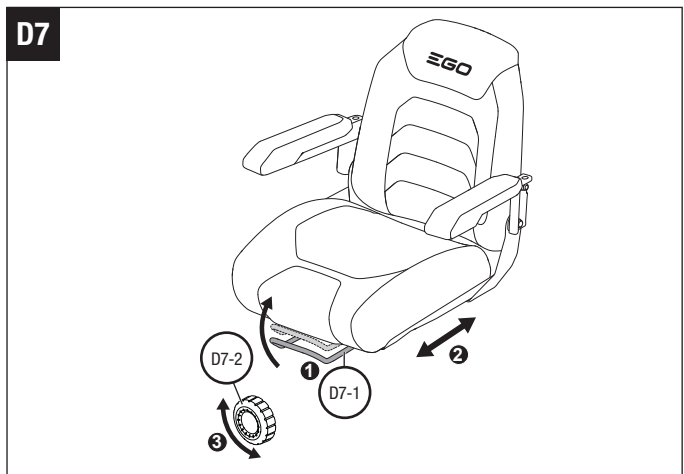
D5



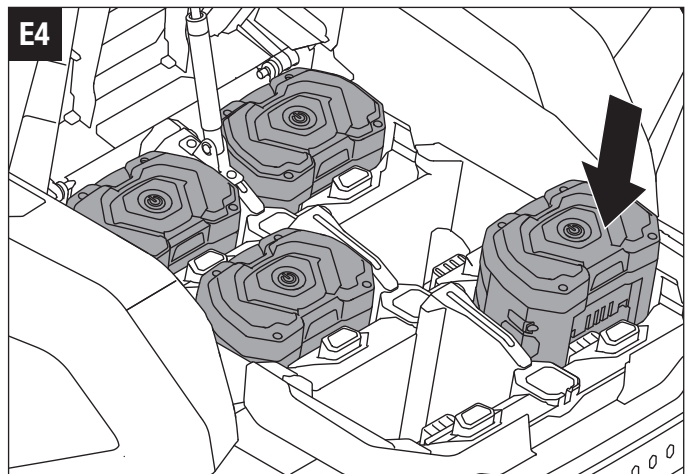
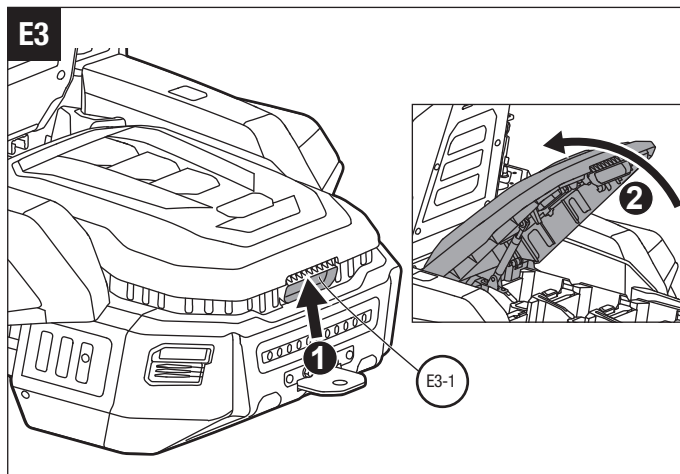
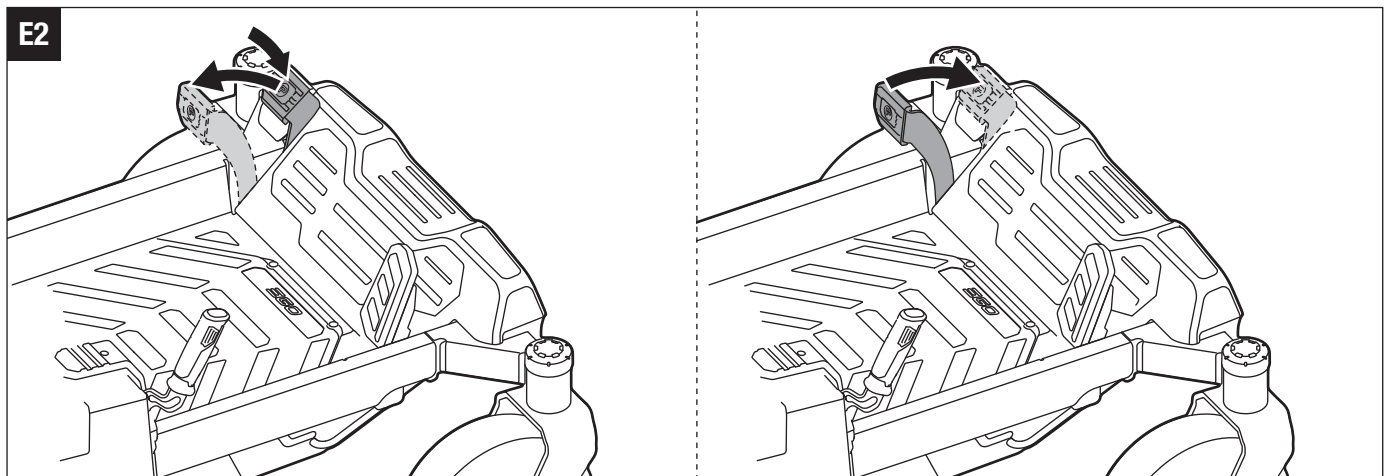
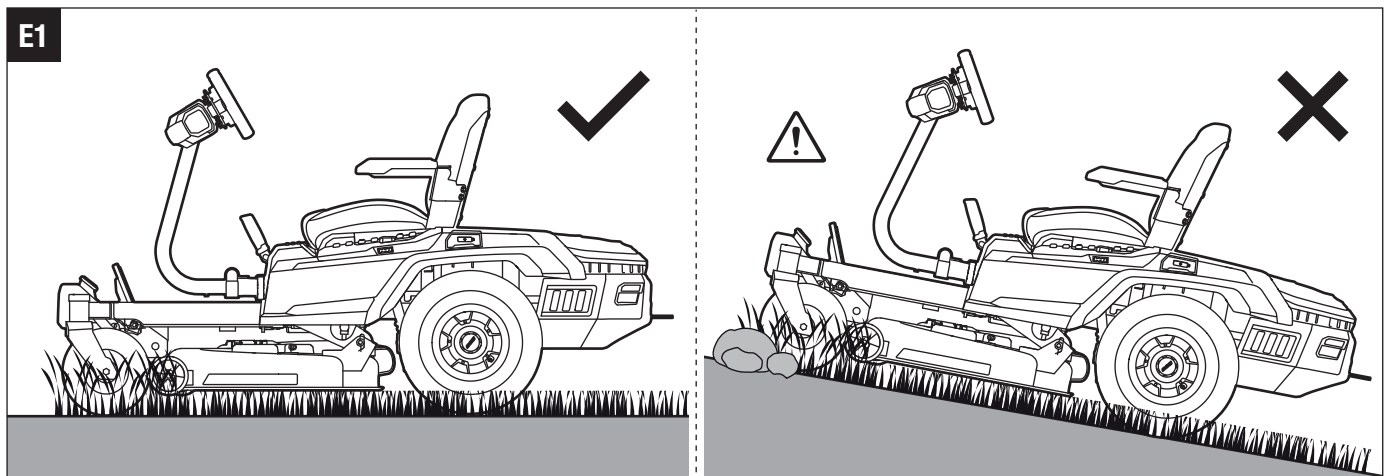
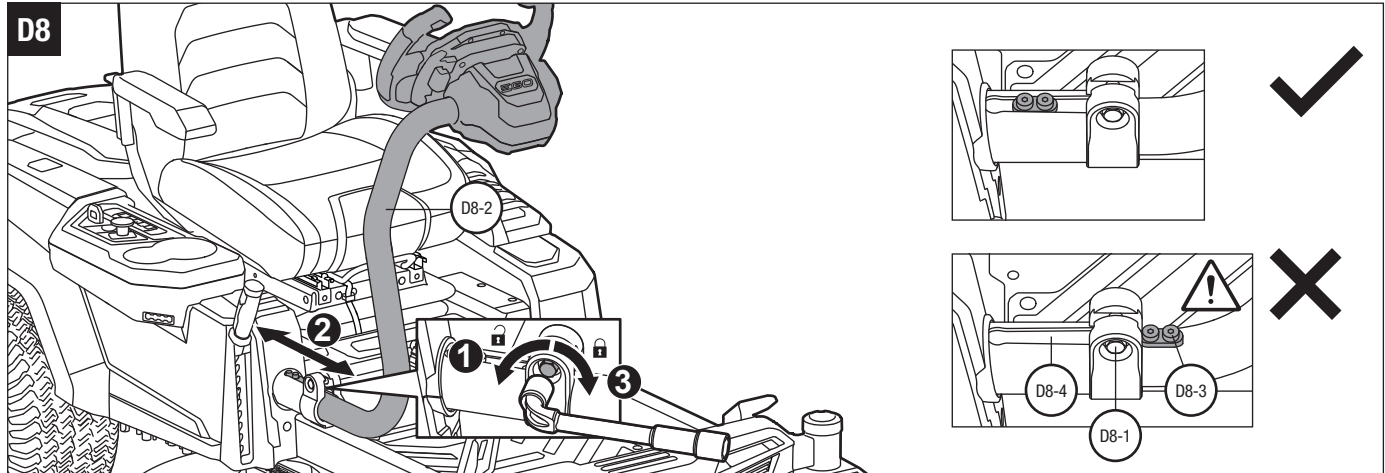
D6

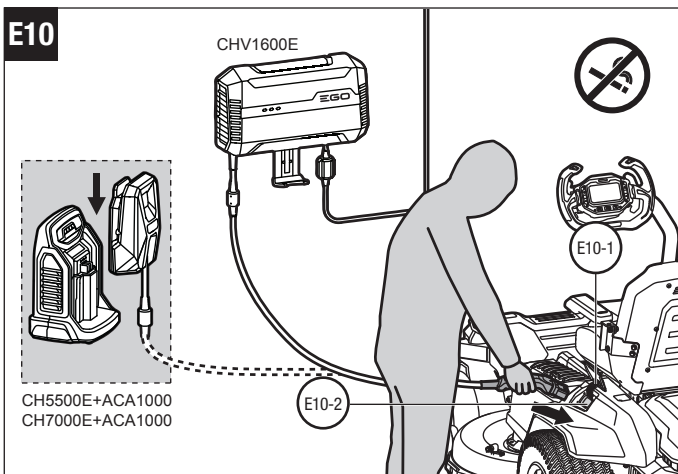
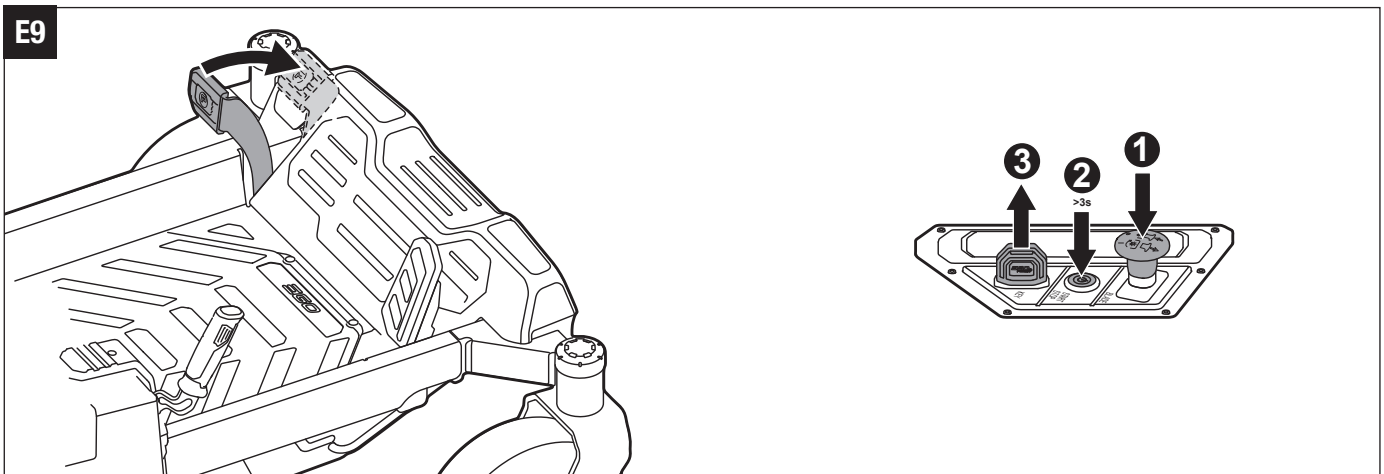
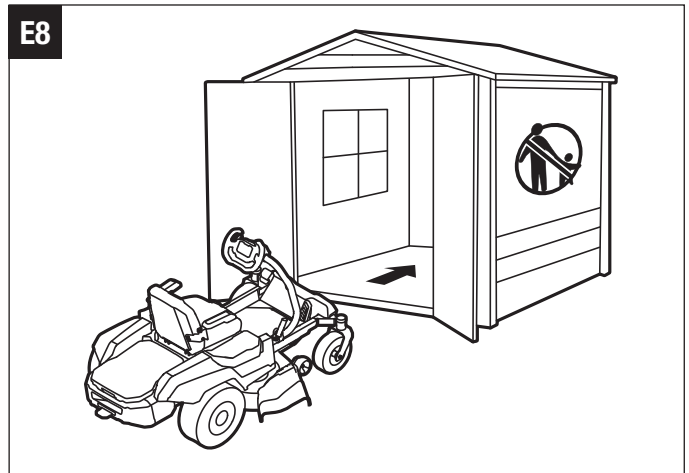
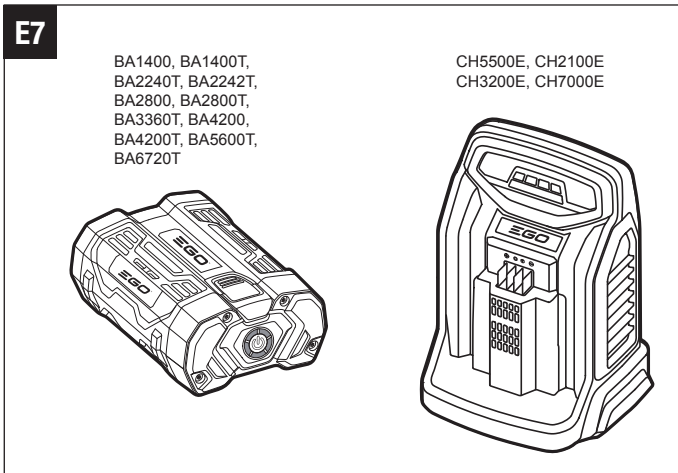
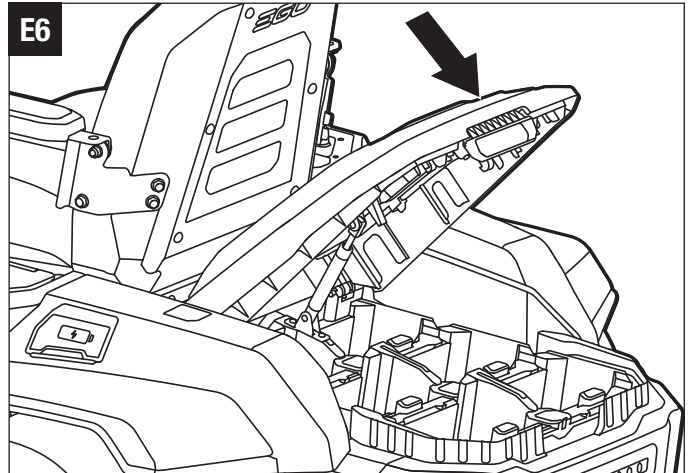
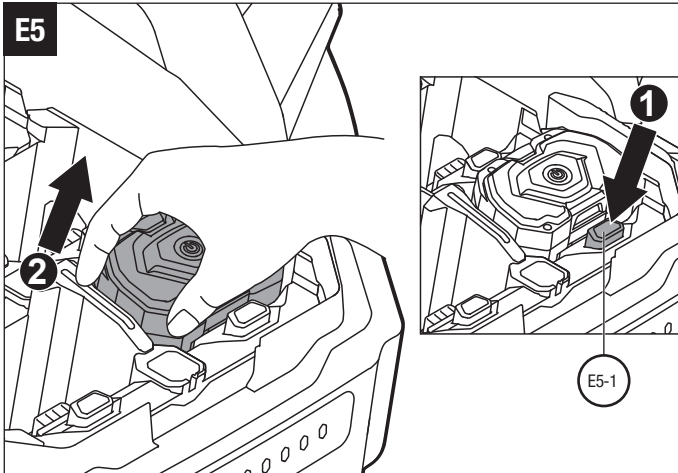


D7

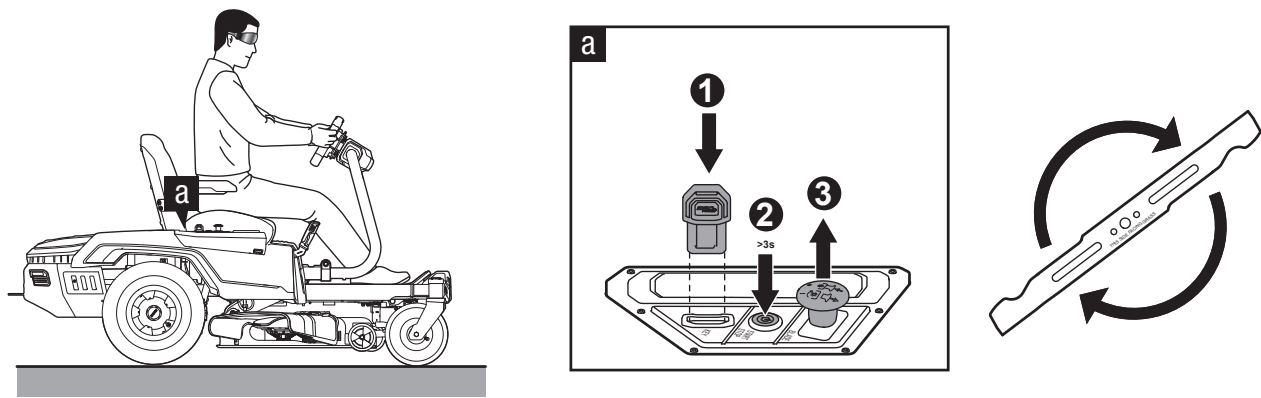




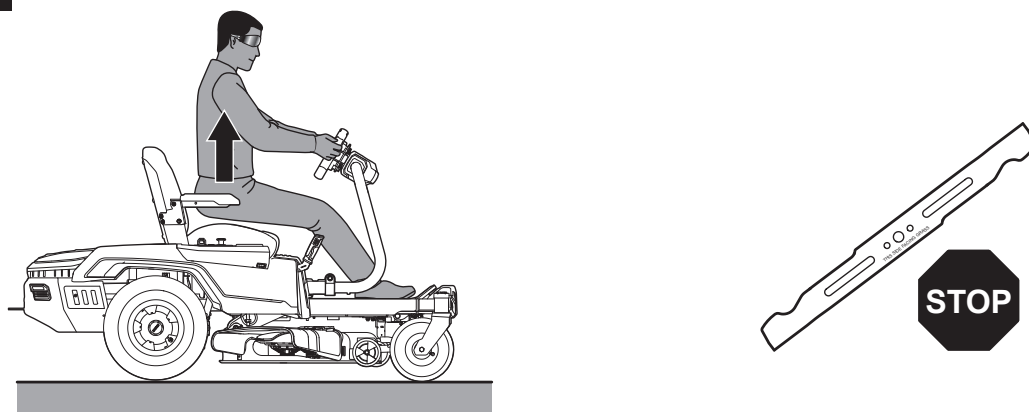




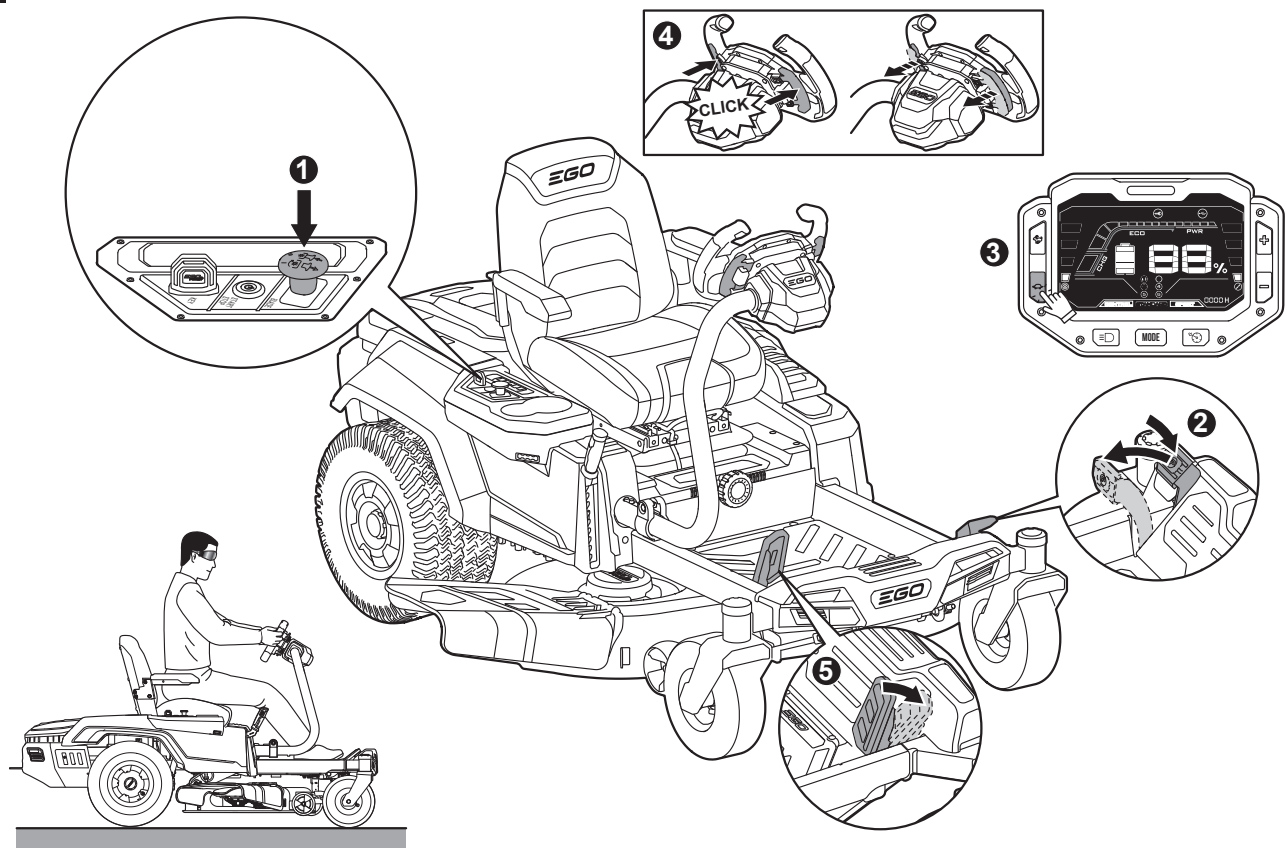
E11



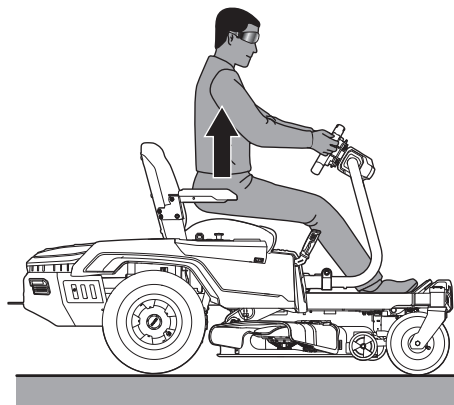
E12



E13

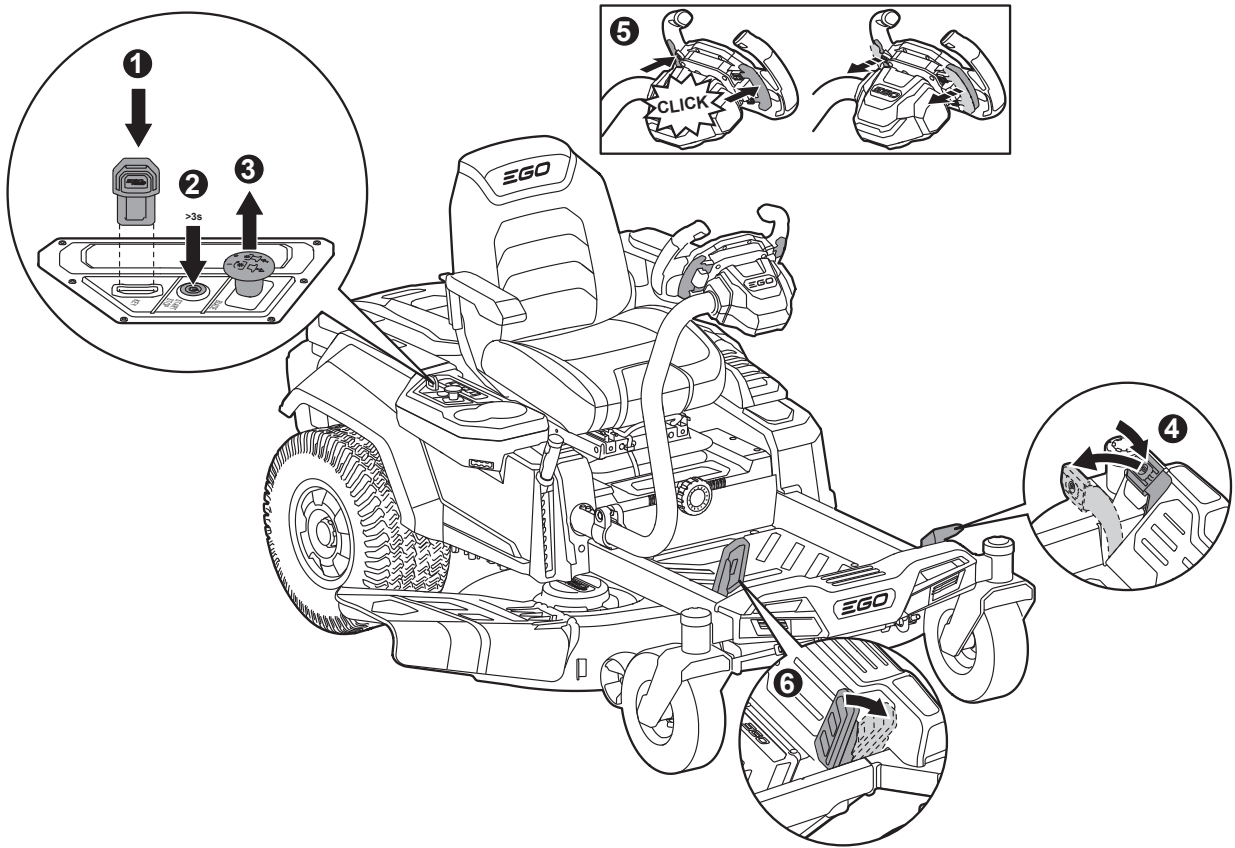


E14

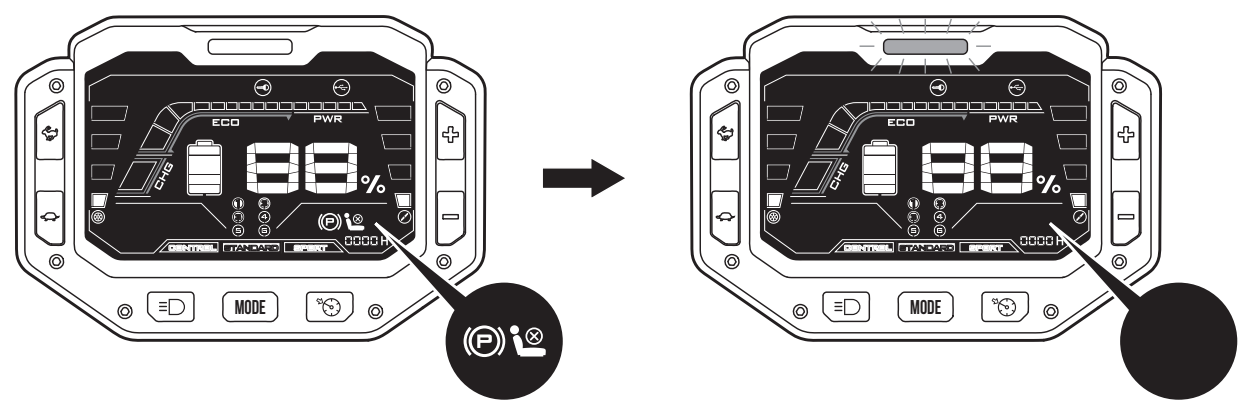


STOP

E15

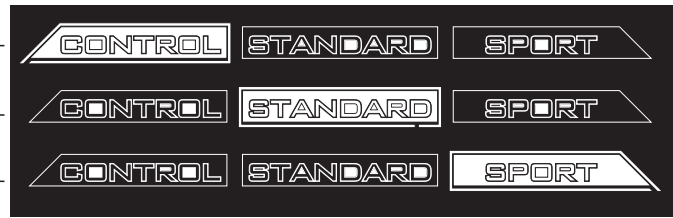
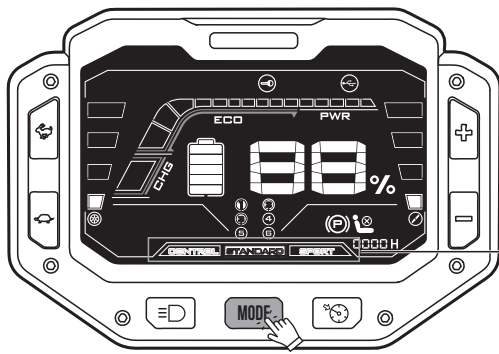


E16

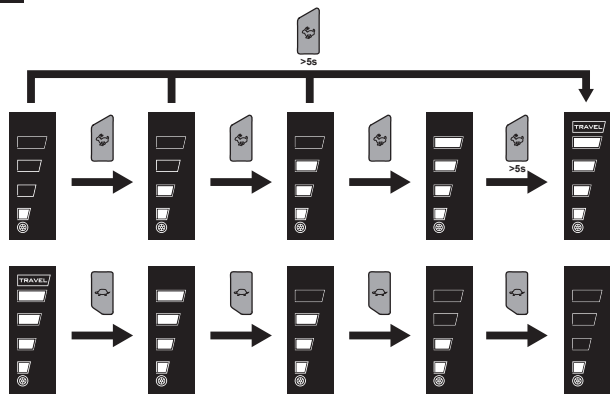




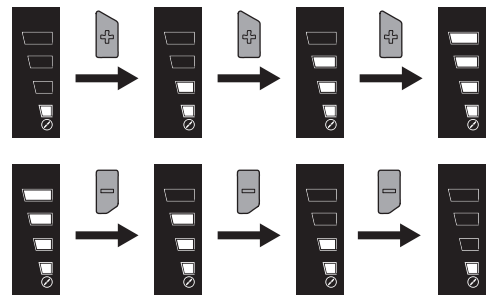
E17



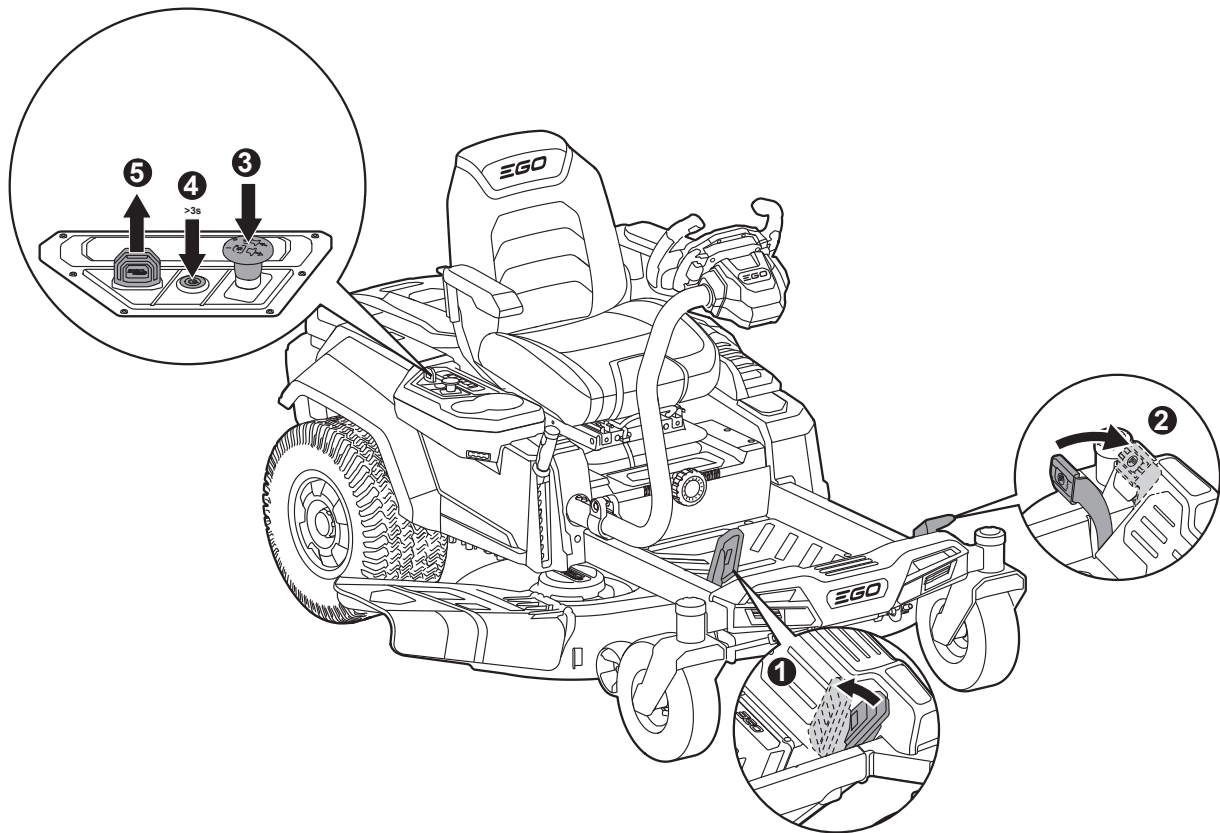
E18



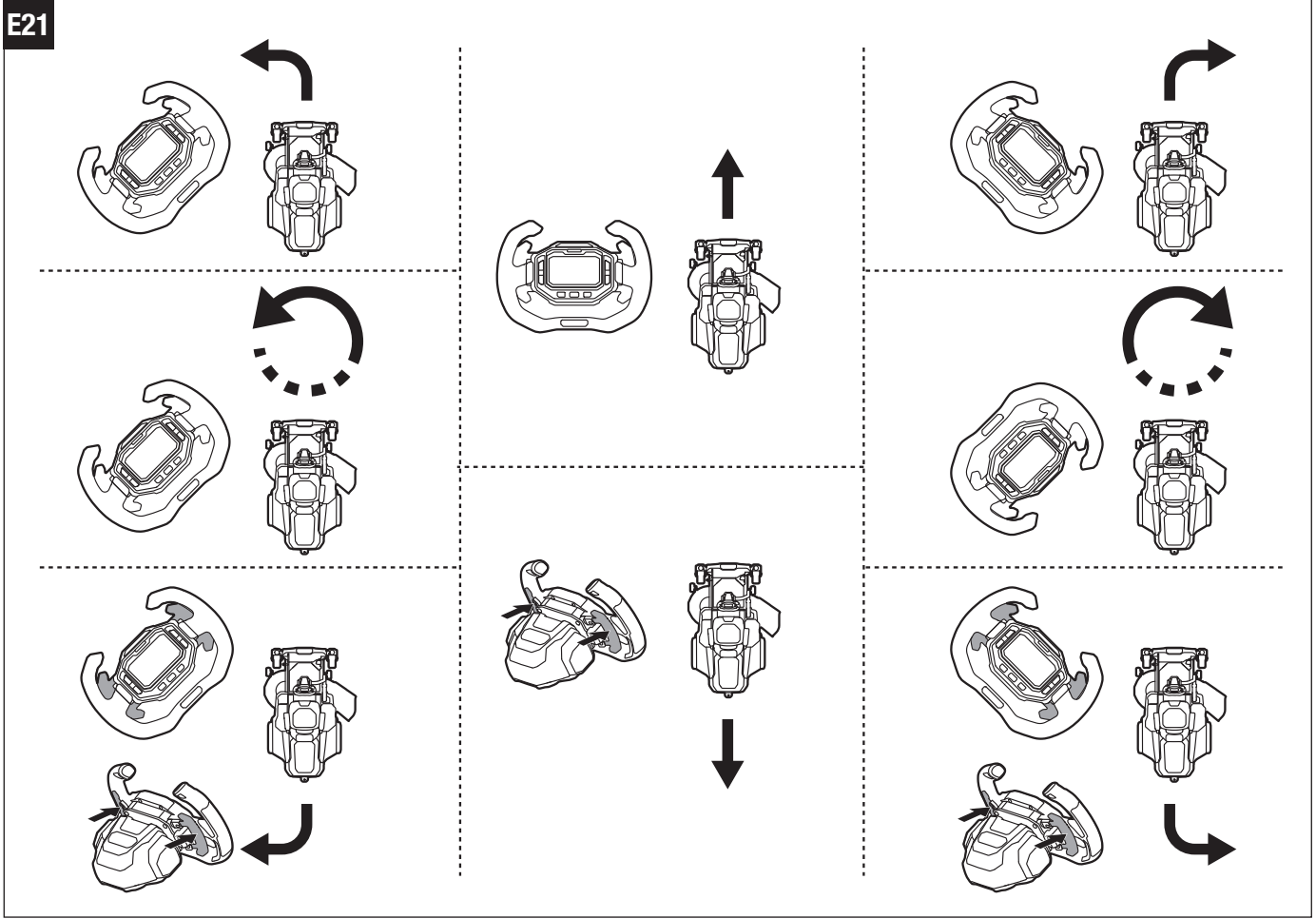
E19



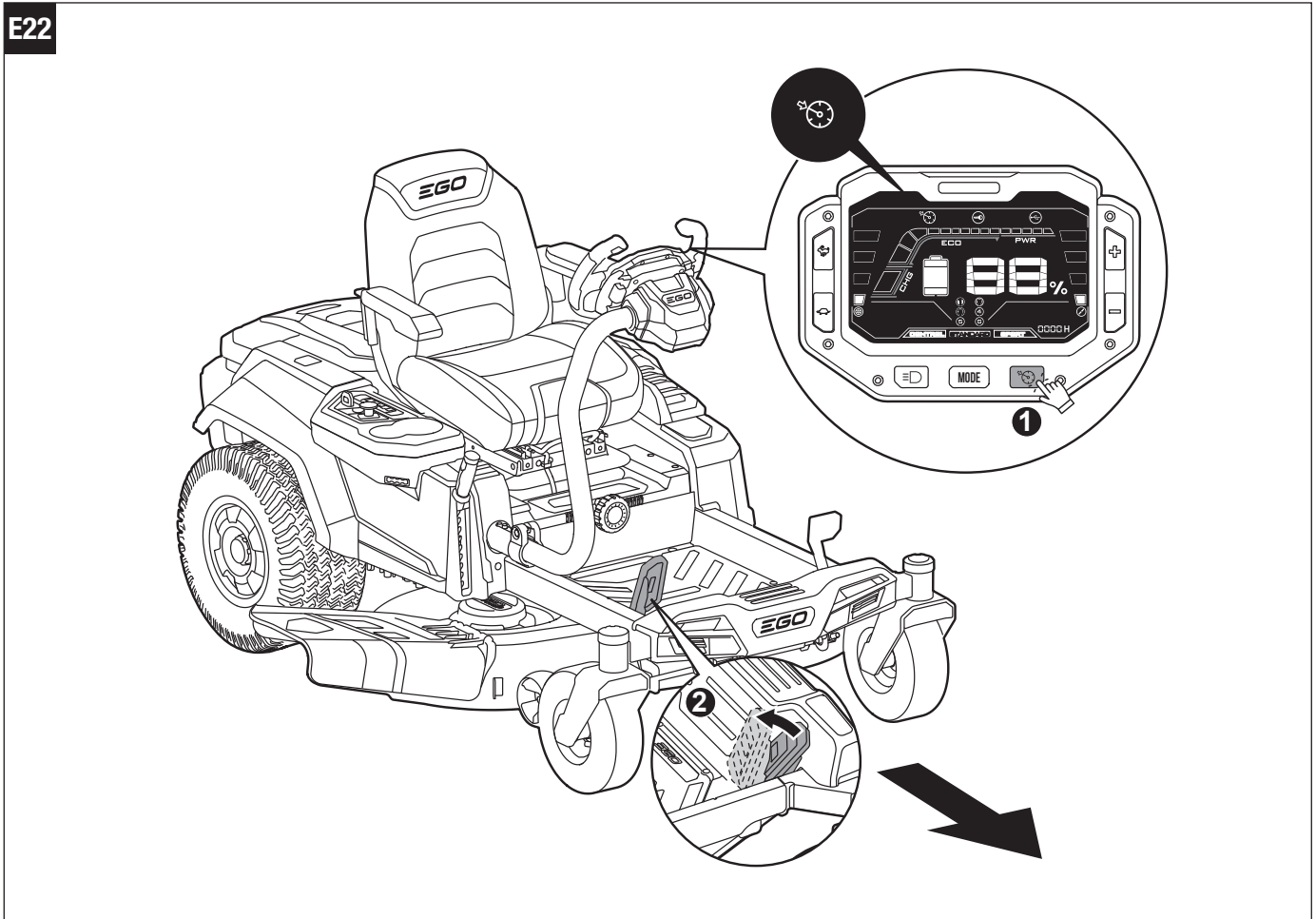
E20

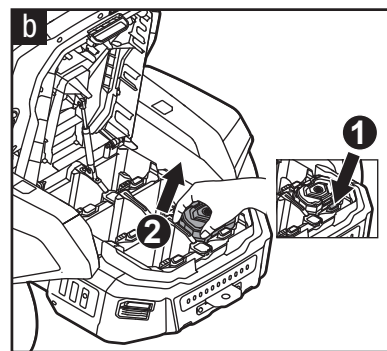
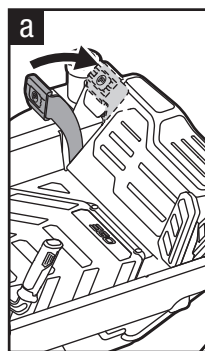
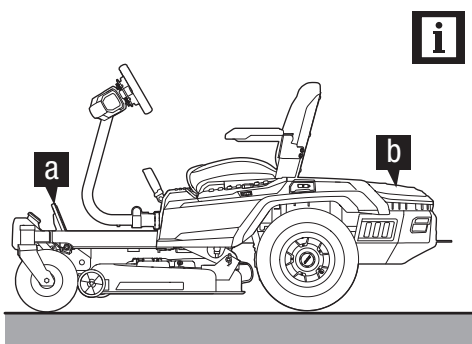
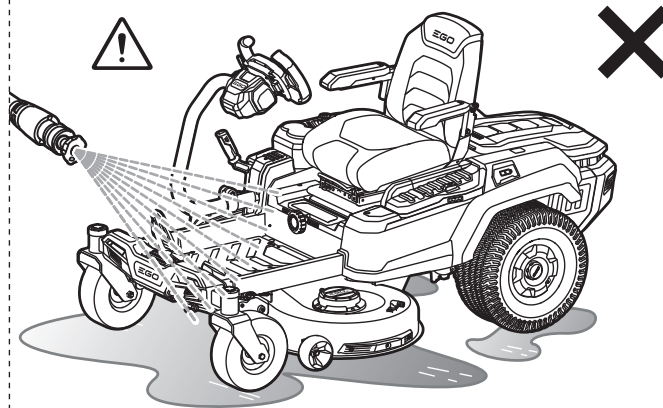
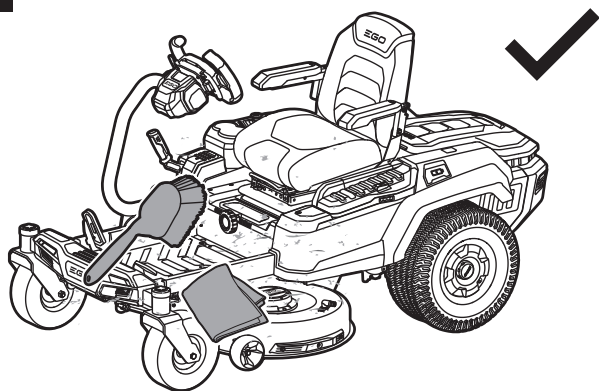
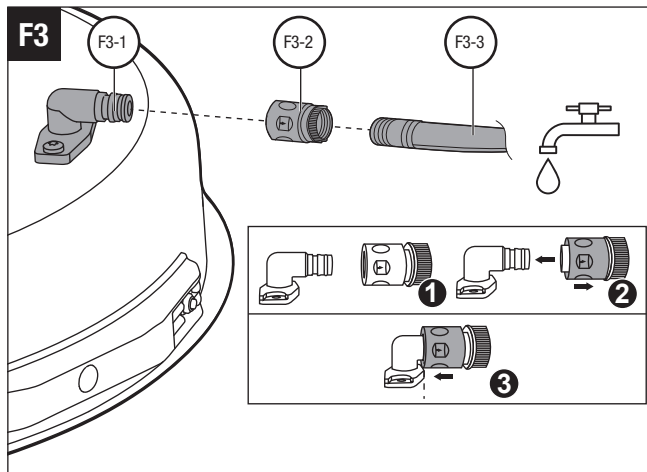
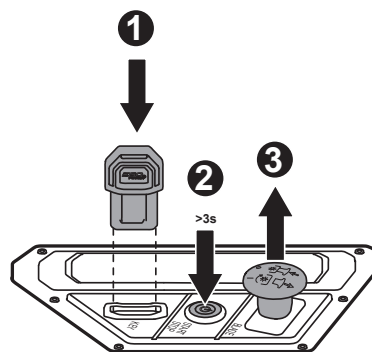
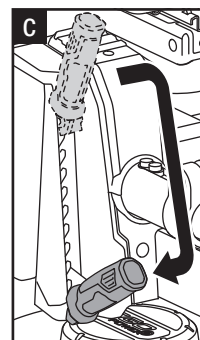
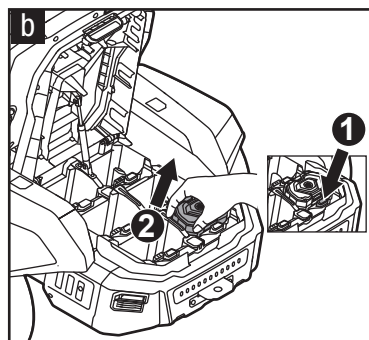
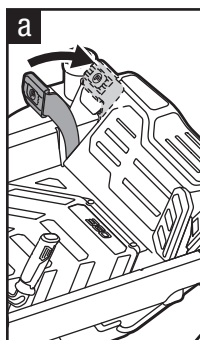
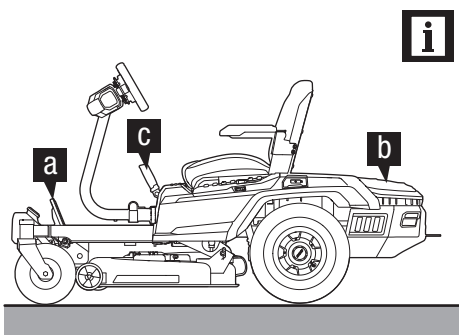


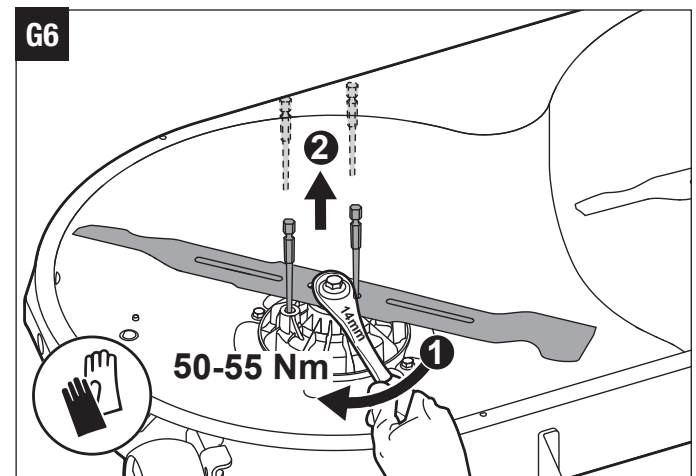
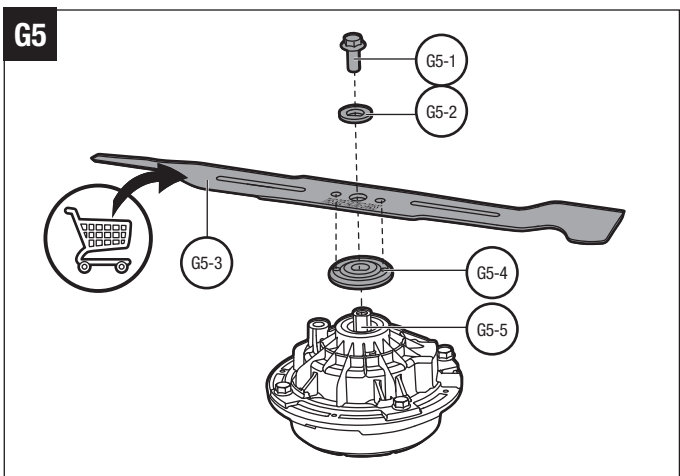
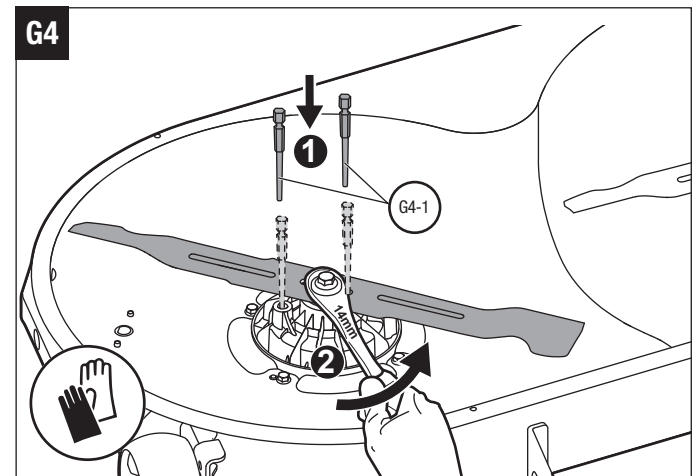
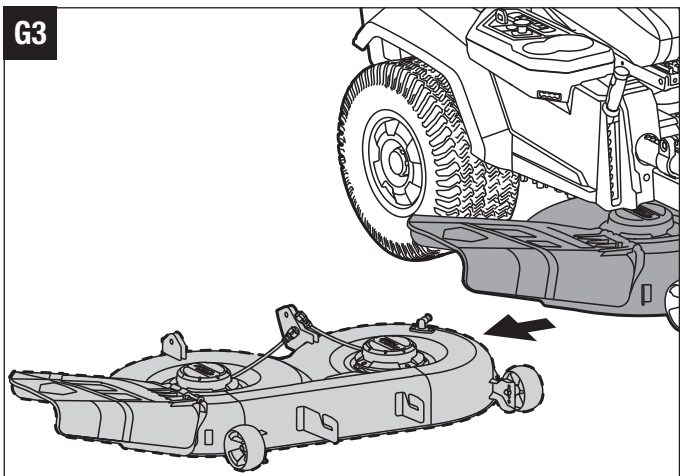
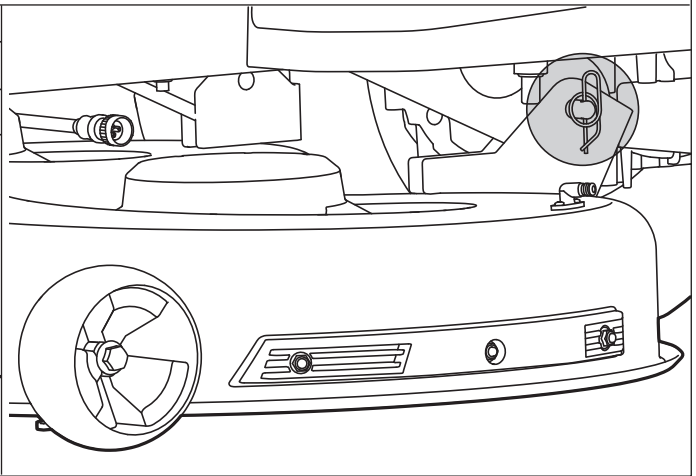
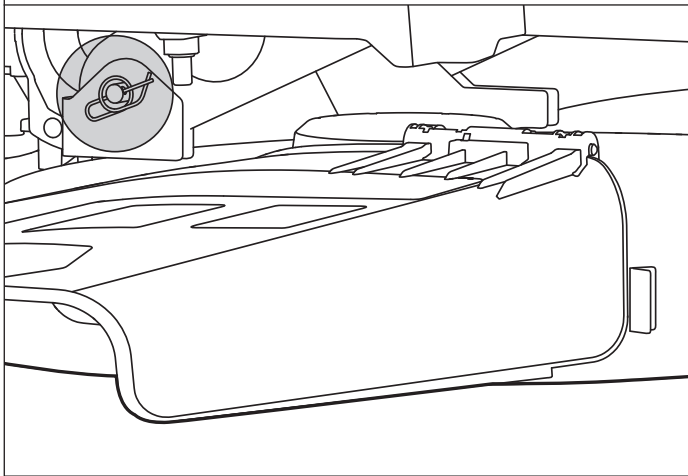
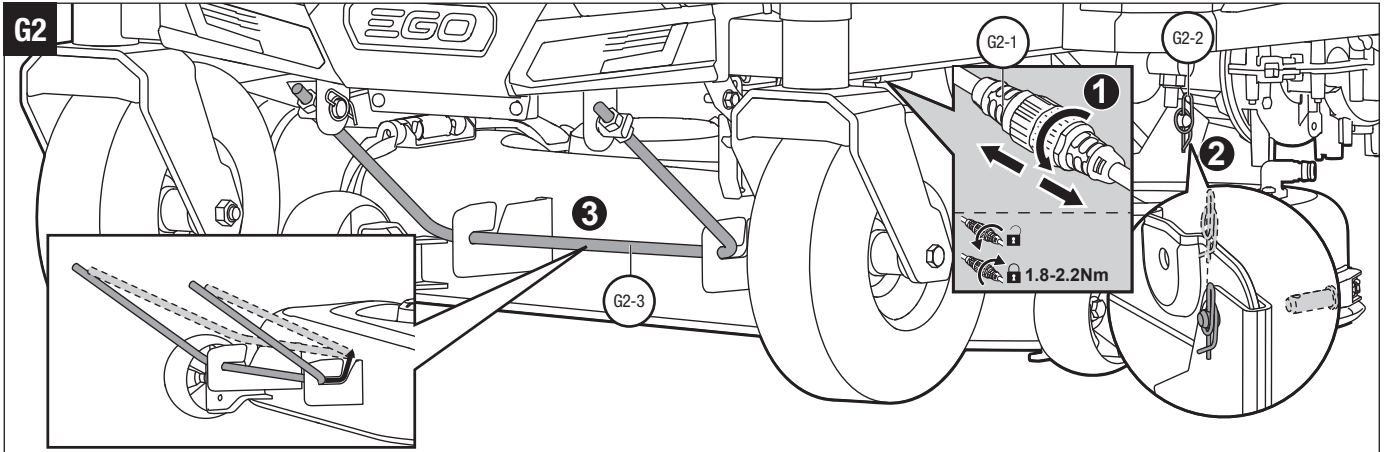
E21



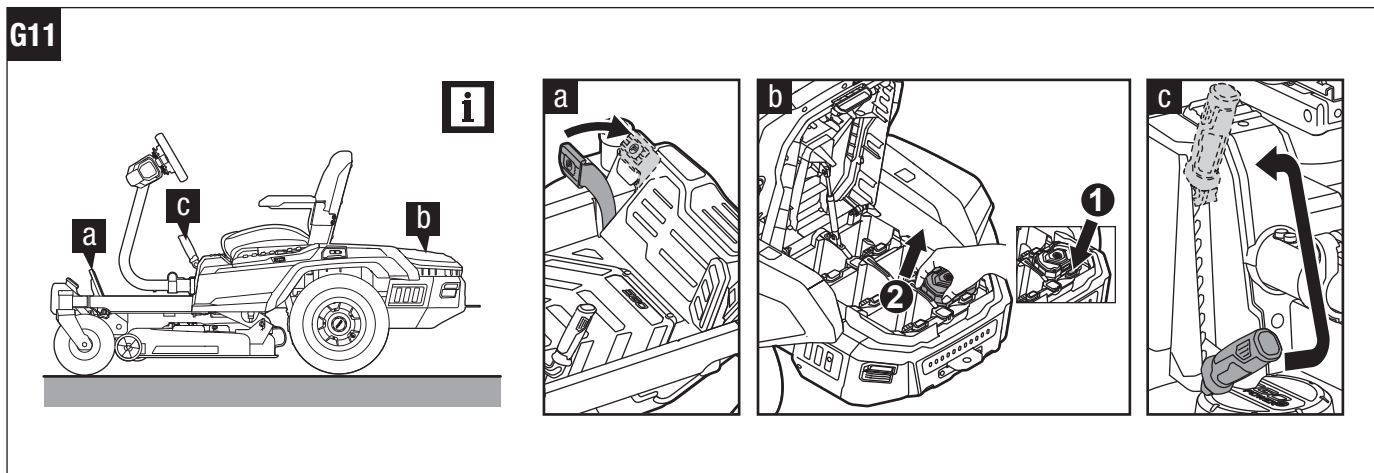
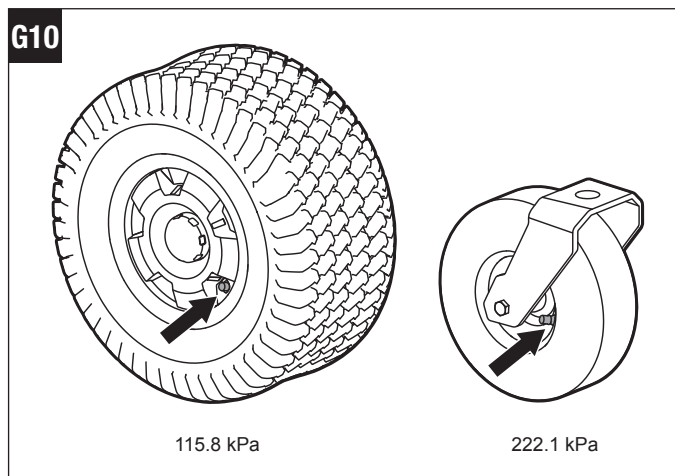
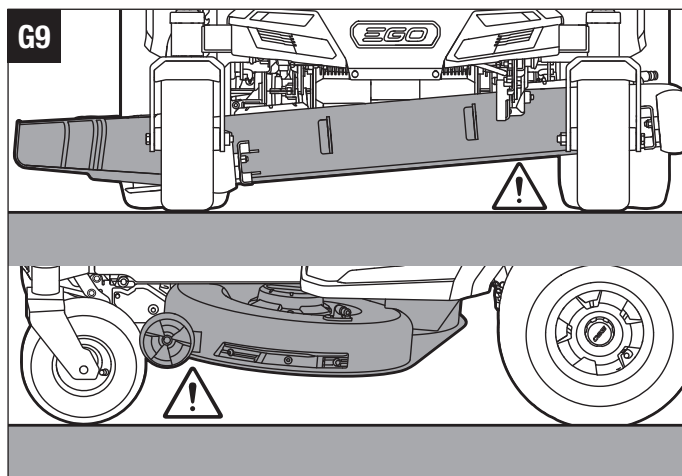
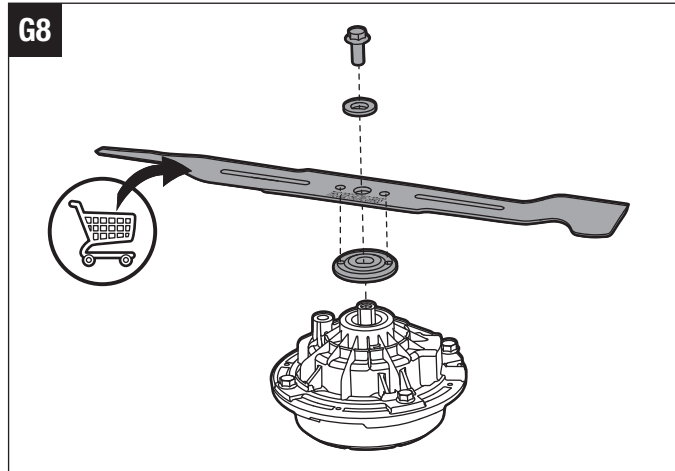
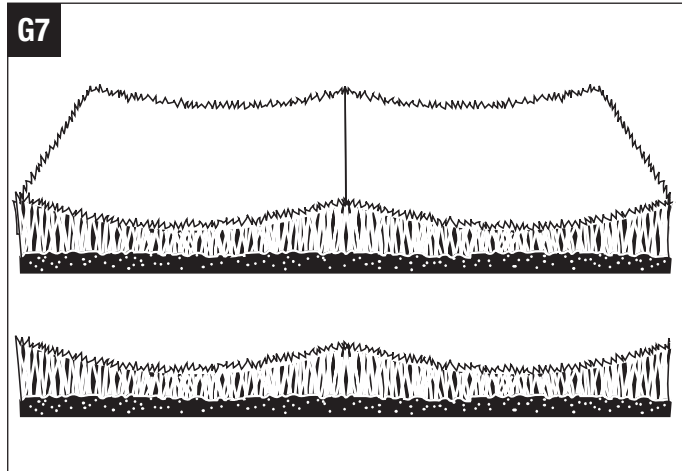
E22



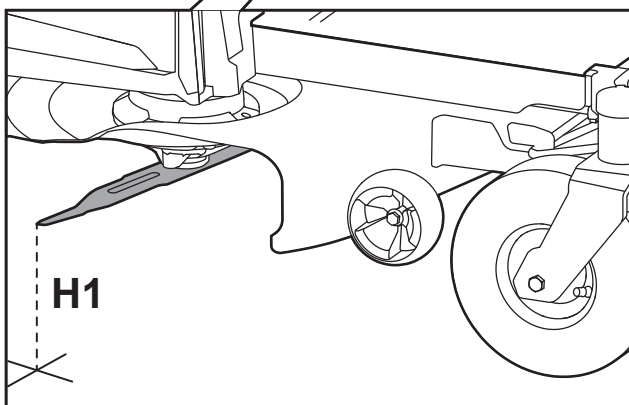
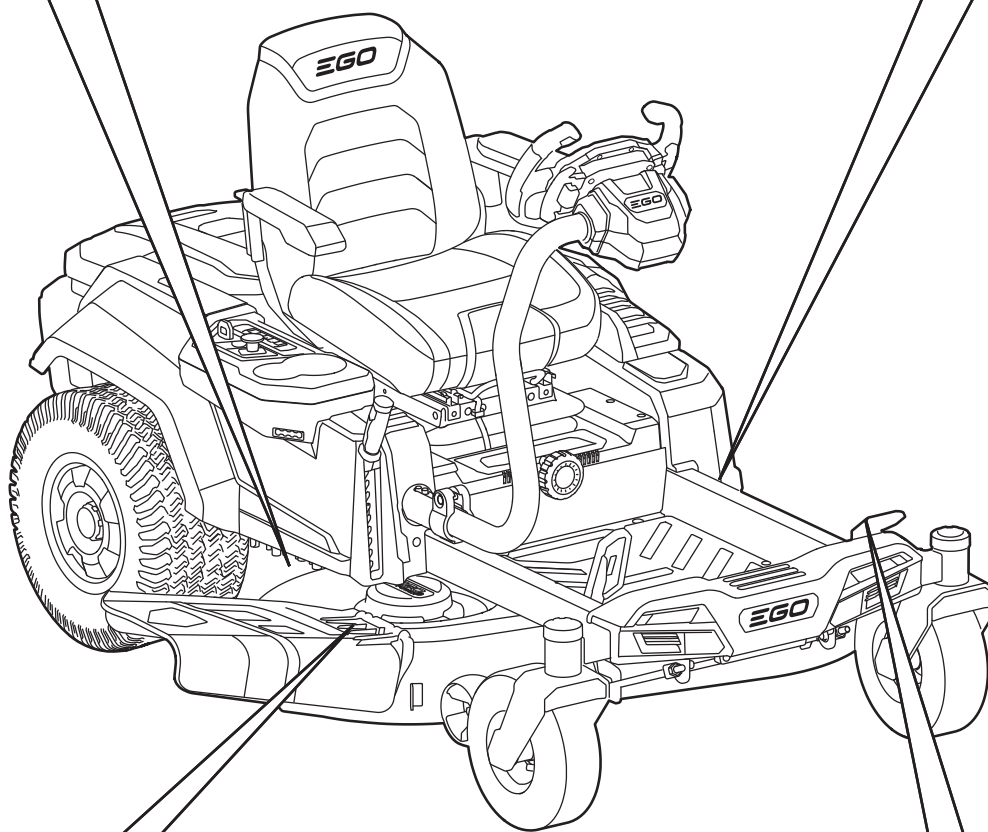
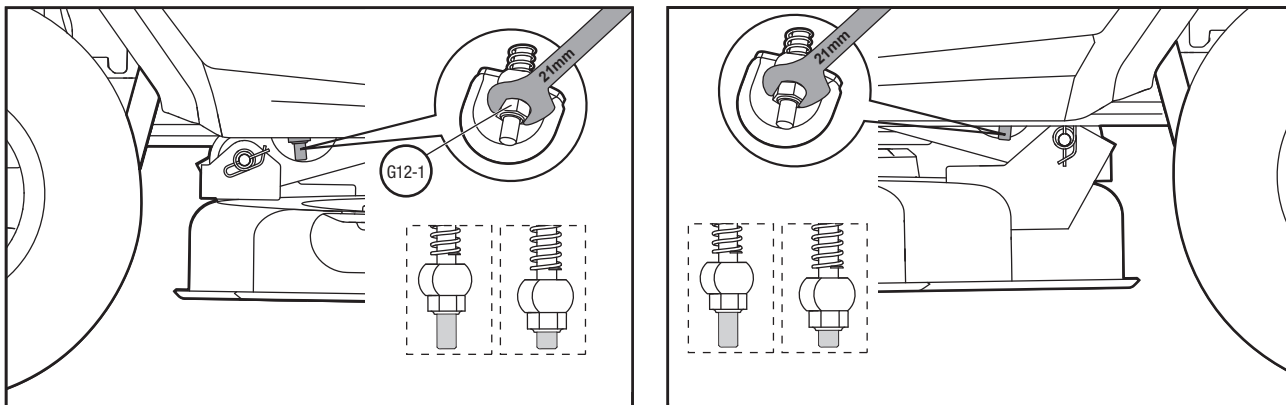
**F1****F2****F3****F4****G1**



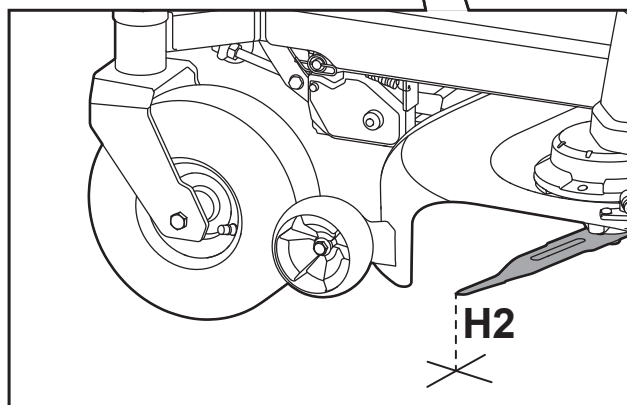




G12

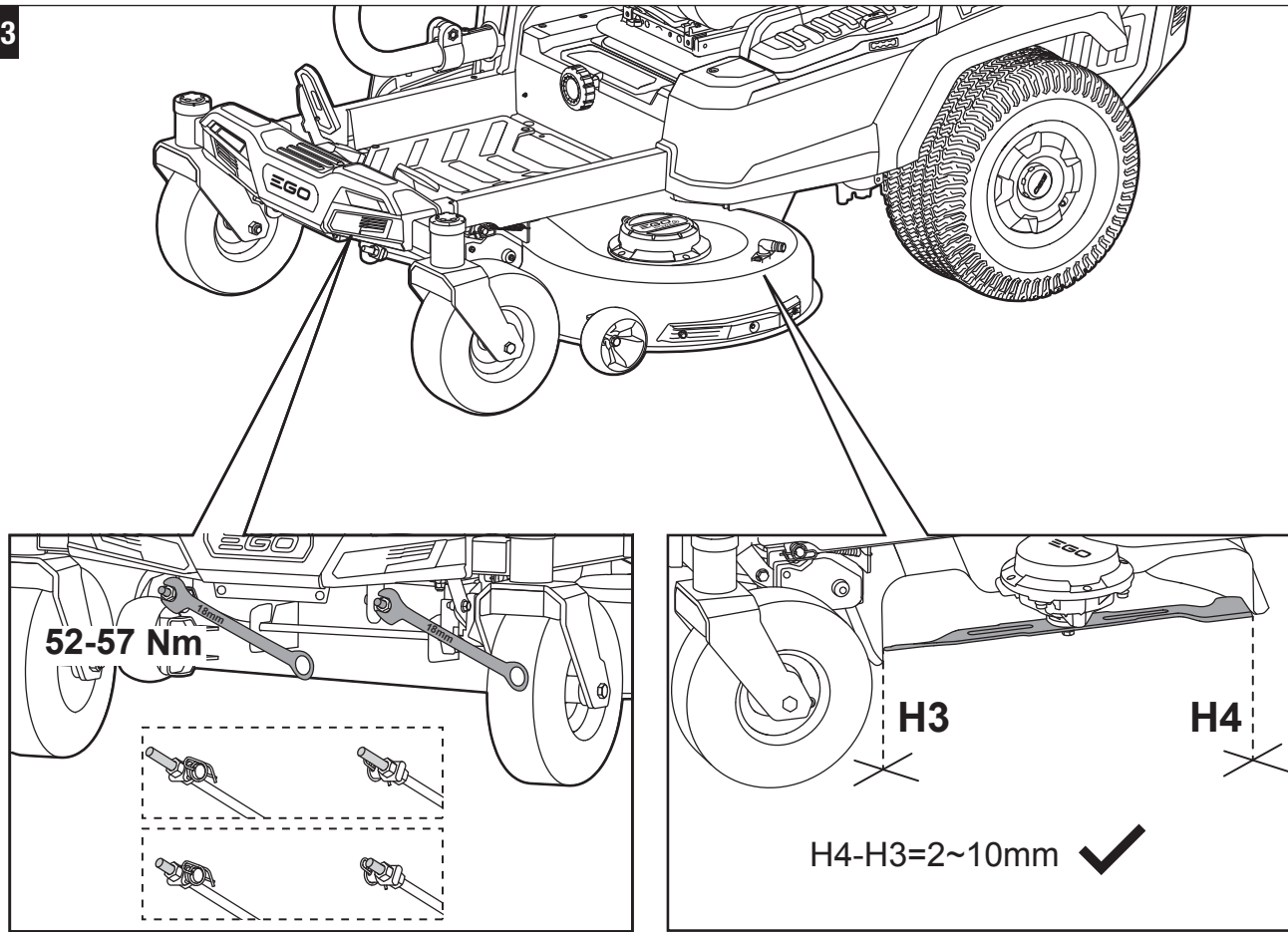


H1-H2<5mm ✓

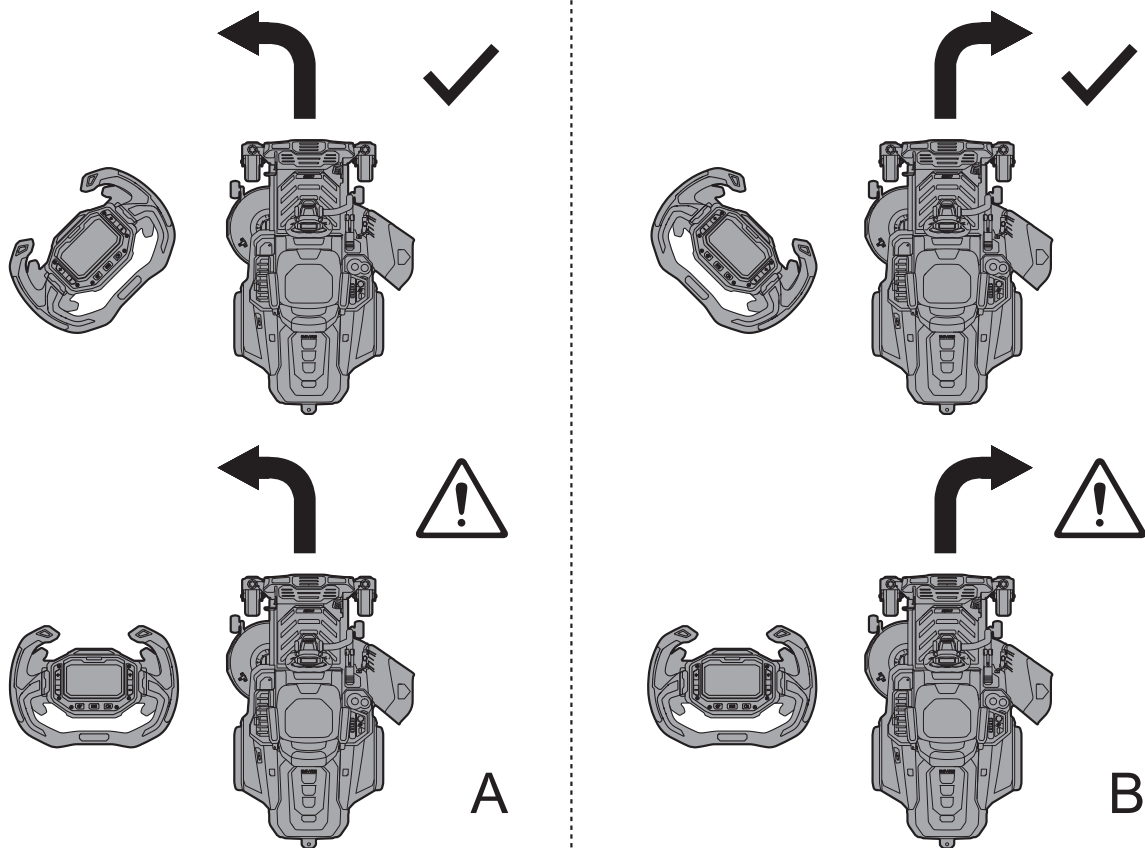


H2-H1<5mm ✓

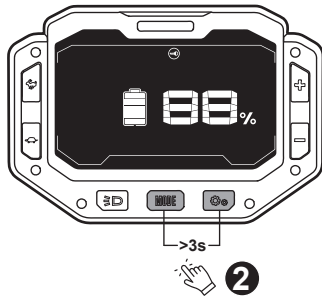
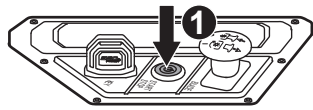
G13



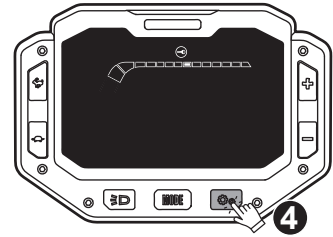
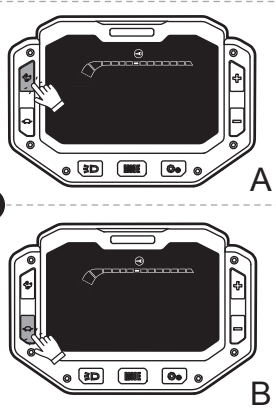
H1



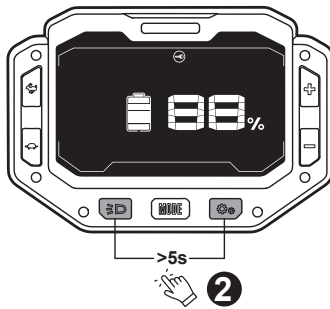
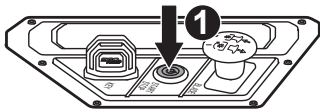
H2



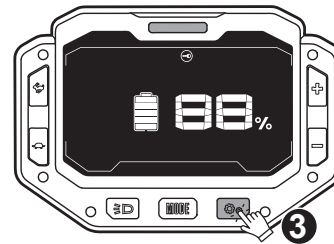
3



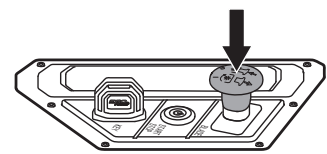
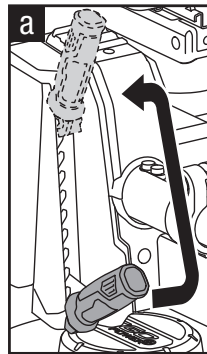
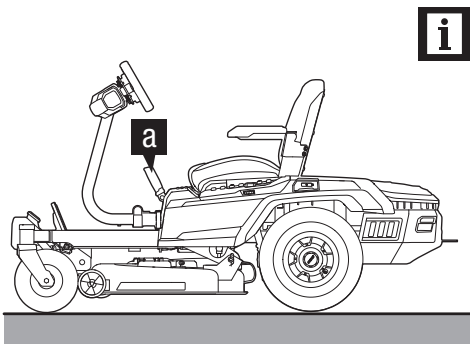
I



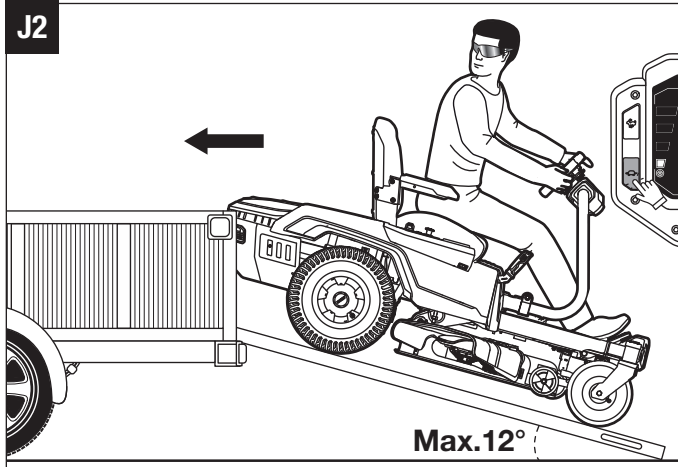
2



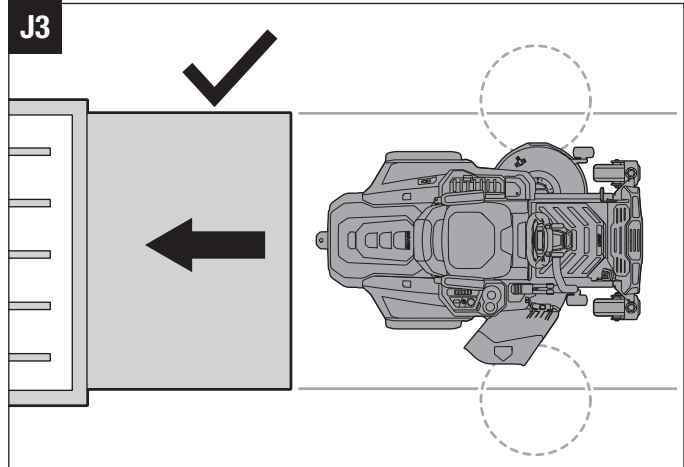
J1



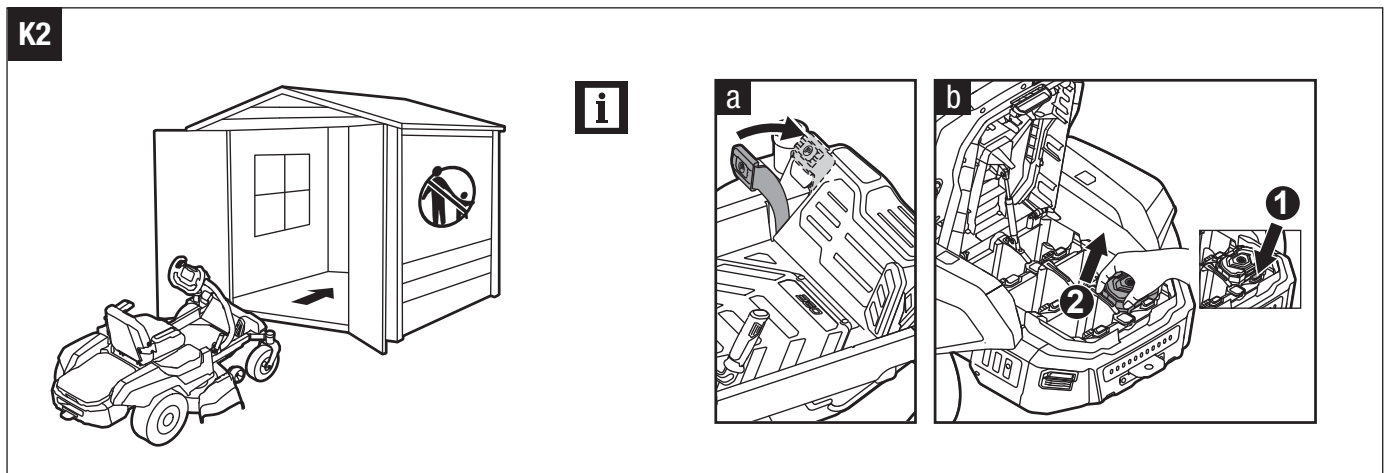
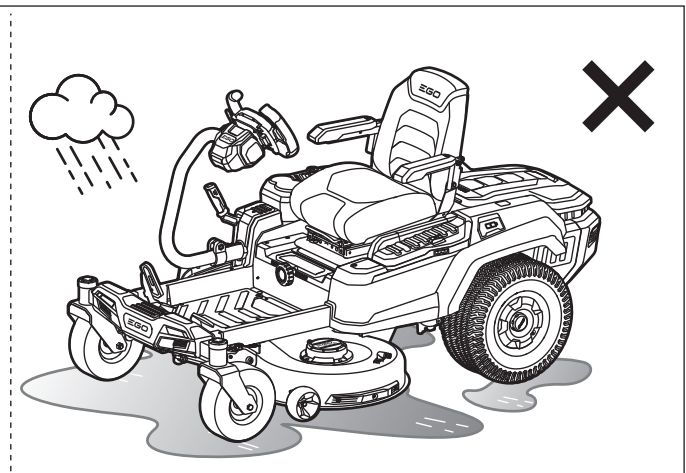
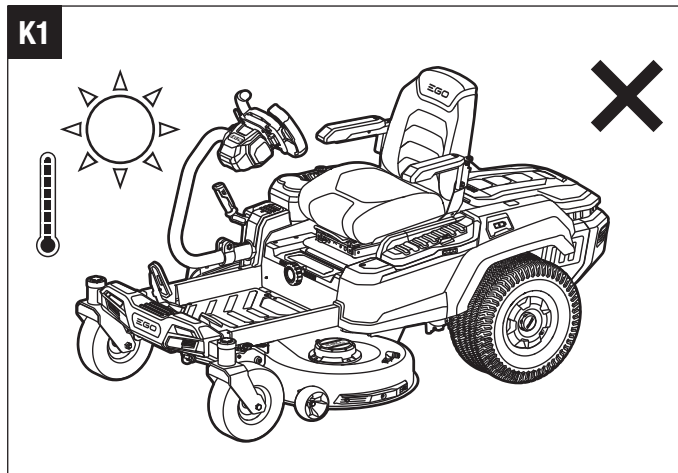
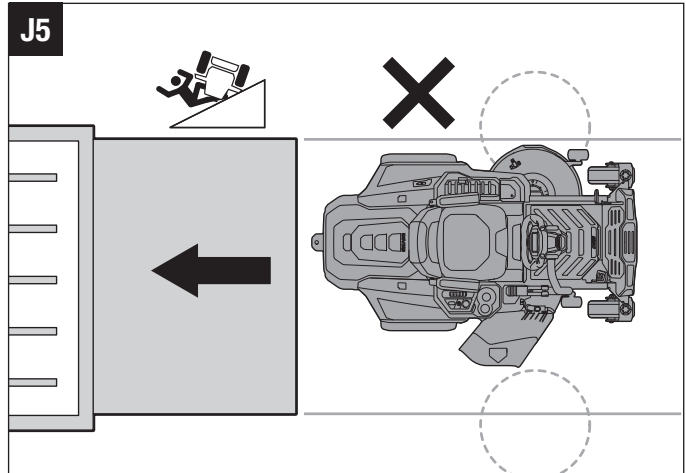
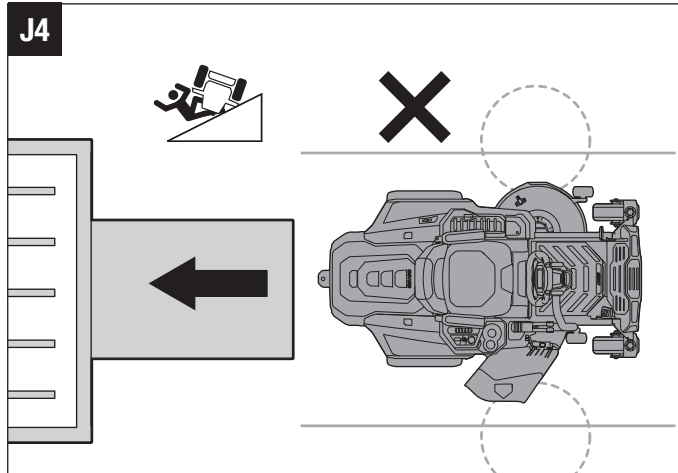
J2



J3







**EN READ ALL INSTRUCTIONS!**

**READ OPERATOR'S MANUAL**

## SAFETY SYMBOL

The purpose of safety symbols is to attract your attention to possible dangers. The safety symbols and the explanations with them deserve your careful attention and understanding. The symbol warnings do not, by themselves, eliminate any danger. The instructions and warnings they give are no substitutes for proper accident prevention measures.

**⚠ WARNING:** Be sure to read and understand all safety instructions in this Operator's Manual, including all safety alert symbols such as "**DANGER**," "**WARNING**," and "**CAUTION**" before using this tool. Failure to follow all instructions listed below may result in electric shock, fire, and/or serious personal injury.

## SYMBOL MEANING

This page depicts and describes safety symbols that may appear on this product. Read, understand, and follow all instructions on the machine before attempting to assemble and operate it.

## SAFETY SYMBOLS

	Safety Alert		Read & Understand Operator's Manual
	Eye Protection		Maintain Safety Devices
	DANGER – Steep slope hazard		DANGER – Keep Bystanders Away from the Blades
	Never carry children		Look behind while backing
	WARNING - Do not use this machine on slopes greater than 12°		DANGER – Thrown objects
	WARNING – KEEP HANDS AND FEET AWAY		Guaranteed sound power level. According to the European community's Directive.



Do not step



Waste electrical products should not be disposed of with household waste. Take to an authorized recycler.



This product is in accordance with applicable EC directives



CAUTION – Do not stare at operating lamp.



Direct Current



This product is in accordance with applicable UK legislation.

kPa	Kilopascal
V	Volt
in	Inch
Nm	Newton meter
°C	Celsius
km/h	Kilometers per hour

RPM	Revolutions per minute
m	Meters
cm	Centimeters
mm	Millimeters
kg	Kilogram
IPX4	Ingress Protection Degree

## SAFETY SYMBOLS



The information needs to be noted



The indicated action stops

## SPECIFICATIONS

Voltage		56 V
Deck Size		107 cm
Wheel Size	Front	279.4 x 101.6 – 127 mm
	Rear	457.2 x 241.3 – 203.2 mm
Cold Tire Pressure	Front	222.1 kPa
	Rear	115.8 kPa
Turning Radius		0
Blade Speed (RPM)		2400; 2600; 2800; 3000
Maximum Driving Speed	Forward	4.8 km/h, 8.1 km/h, 9.7 km/h, 11.3 km/h (12.8 km/h in Travel mode)
	Reverse	up to 5.6 km/h

Charging	Charger (Optional)	CHV1600E
	Adaptor (Optional)	ACA1000
	Charging Temperature Range	5°C - 40°C
Cutting-Height Adjustment (10 position)		25 – 100 mm
Operating Temperature		0°C- 40°C
Storage Temperature		-20°C - 70°C
Weight (Without battery pack)		196 kg
Measured sound power level $L_{WA}$		96.44 dB(A) K=0.68 dB(A)
Sound pressure level at operator's ear $L_{PA}$		84.3 dB(A) K=3.0 dB(A)

EN

Guaranteed sound power level $L_{WA}$ (measured according to 2000/14/EC)		100 dB(A)
Vibration $a_h$	Hand	1.221 m/s <sup>2</sup> K=1.5 m/s <sup>2</sup>
	Body	0.568 m/s <sup>2</sup> K=1.5 m/s <sup>2</sup>

- The declared vibration total value has been measured in accordance with a standard test method and may be used for comparing one tool with another;
- The declared vibration total value may also be used in a preliminary assessment of exposure.

**NOTICE:** The vibration emission during actual use of the power tool can differ from the declared value in which the tool is used; In order to protect the operator, user should wear gloves and ear protectors in the actual conditions of use.

## RECOMMENDED ACCESSORIES

**⚠ WARNING:** Use only identical replacement parts listed below. Use of parts that do not meet the original equipment specifications may lead to improper performance and compromised safety.

PART NAME	MODEL NUMBER
Standard Blade	AB4200
High Lift Blade	AB4201
Mulching Plug	AMP4200
Grass Bagger Kit	ABK4200-A
Rear Bumper	AMB1000
Cargo Box	AMG1000
Sun Shade	AMS1000

## DESCRIPTION

### KNOW THE MOWER (Fig. A1)

1. Seat
2. Charging Port
3. Power Unit
4. LED Rear Light
5. Storage Compartment

6. LED Sidelight
7. Rear Wheel (Drive Wheel)
8. Wash Port
9. Deck
10. Deck Protector
11. Anti-Scalp Wheel
12. Front Wheel
13. Parking-Brake Pedal
14. Daytime Running Lights
15. LED Headlights
16. Accelerator Pedal
17. Foot-Rest Area
18. Side-Discharge Chute
19. Deck-Height Adjustment Lever
20. Seat-Suspension Adjustment Knob
21. Steering Wheel
22. Right Side Box
23. Seat Position Adjustment Lever
24. PTO Switch
25. Start/Stop Button
26. Safety Key
27. Phone Storage Slot
28. Cup Holders
29. Left Paddle
30. Mower Status Indicator
31. LCD Screen
32. Right Paddle
33. Blade Speed Adjustment Button
34. CCS Button
35. Driving Mode Button
36. LED Light Switch
37. Driving Speed Adjustment Button
38. Power-unit Cover Release Button
39. Power-unit Cover
40. Power unit with six battery compartments
41. Battery-Release Button
42. Hitch
43. Attachment Mounting Cover
44. USB Port

## KNOW THE LCD SCREEN (Fig. A2)

Refer to the section “**MOWER STATUS REFERENCE & FAULT CODE**” for more information about the icons and indicators on the LCD screen.

1. Reverse Icon
2. CCS Icon
3. Safety Key Icon
4. LED Lights Icon
5. Auto-Parking Icon
6. USB Icon
7. Blade Speed Indicator
8. Safety Device Status Indicator
9. Hour Meter
10. Vacant Battery Compartment Icon
11. Temperature Icon
12. Occupied Battery Compartment Icon
13. Driving Mode
14. Fault Code Indicator
15. Overload Indicator
16. Low Power Indicator
17. Fuel Gauge
18. Load Indicator
19. Driving Speed Indicator

## UNPACKING

**NOTICE:** Save the packing materials until you have carefully inspected and satisfactorily operated the product. If any parts in packing list assembled on the machine please instantly contact EGO service.

**NOTICE:** Except the tools in below packing list, all other tools mentioned in the manuals are just recommended but not provided.

**NOTICE:** Do not remove the foam block under the steering wheel before the steering wheel is properly installed. Vibration during moving may cause the damage to the steering wheel.

## PACKING LIST (Fig. B)

B-1	Zero Turn Ride-On Mower	B-2	Seat
B-3	Mulching Plug	B-4	Socket-Head Screws (2 for backup)
B-5	Allen Key	B-6	Socket Wrench
B-7	Open-End Wrench	B-8	Safety Keys
B-9	Wash-Port Quick Coupler	B-10	Operator's Manual

## ASSEMBLY

### INSTALLING THE SEAT (Fig. C1 – C4)

**⚠ WARNING:** The safety interlock system must not be disconnected or bypassed. Doing so could cause the mower to operate unexpectedly, resulting in personal injury.

**NOTICE:** For your safety, the mower may stop driving as the seat switch got disconnect during driving. In this case, please refer to the section “**TROUBLESHOOTING**” for more information.

C1-1	Socket	C1-2	Plug
C1-3	Cable	C2-1	Seat Arm
C2-2	Suspension Base	C2-3	Allen Key
C2-4	Socket-Head Screws	C2-5	Seat Position Adjustment Lever
C3-1	Steel Rails	C3-2	Allen Key
C3-3	Socket-Head Screws	C4-1	Hook

### INSTALLING THE STEERING WHEEL (Fig. C5 – C6)

C5-1	Locking Bolt	C5-2	Bar
C6-1	Locating Block	C6-2	Slot
C6-3	Steering Wheel Protector		



## EN ATTACHING THE MULCHING PLUG (Fig. C7)

C7-1	Side Discharge Chute	C7-2	Mulching Plug
C7-3	Movable Spring		

## ADJUSTMENT

### BEFORE ADJUSTMENT (Fig. D1)

### ADJUSTING THE CUTTING-DECK HEIGHT (Fig. D2)

### ADJUSTING THE ANTI-SCALP WHEELS (Fig. D3 – D6)

D3-1	Anti-Scalp Wheel	D5-1	Nut
D5-2	Lug Bolt	D6-1	Deck Height Label

### ADJUSTING THE SEAT (Fig. D7)

D7-1	Seat Position Adjustment Lever	D7-2	Seat Suspension Adjustment Knob
------	--------------------------------	------	---------------------------------

### ADJUSTING THE STEERING WHEEL (Fig. D8)

D8-1	Locking Bolt	D8-2	Bar
D8-3	Locating Block	D8-4	Slot

## OPERATION

### BEFORE OPERATION (Fig. E1)

### SETTING THE PARKING BRAKE (Fig. E2)

E2-1	Released Position	E2-2	Braking Position
------	-------------------	------	------------------

**NOTICE:** Never depress the parking-brake pedal to slow down the speed. Once the parking-brake pedal is depressed enough but not to the full parking position, the mower will stop moving on a flat surface, but if this happens on a slope, the mower may slide down the slope.

### ATTACHING / DETACHING THE BATTERY PACK (Fig. E3 – E6)

In order to start this mower, EGO batteries totaling 15 Ah (2 X BA4200/BA4200T) or more are required. For best performance, we recommended use of EGO batteries

that total 30 Ah or more.

E3-1	Cover Release Button	E5-1	Battery Release Button
------	----------------------	------	------------------------

## CHARGING THE MOWER

Use only with the recommended battery packs and chargers.

- Charge the battery pack(s) separately (Fig. E7)

**NOTICE:** Refer to corresponding battery and charger manuals for detail instructions.

- Charge the battery pack(s) via charging port (Fig. E8-E10)

E10-1	Dust Cap	E10-2	Charging Port
-------	----------	-------	---------------

## TESTING THE SAFETY INTERLOCK SYSTEM

- To test the deck-blade system (Fig. E11 – E12)
- To test the driving system (Fig. E13 – E14)

If the deck-blade system and/or the driving system fails to stop when the operator is off of the seat and if the cause cannot be determined after confirming the plug and socket connection of the seat is well connected, contact your EGO customer service center immediately.

## CHECKLIST BEFORE OPERATION

- Ensure that the work area is clear of children, bystanders, and pets.
- Clear the work area of objects that may be thrown by the mower blades.
- Clean debris from the mower.
- Check for loose fasteners.
- Check to make sure that all guards are in place and working properly.
- Visually check the tires whether they are inflated.
- Check the brake operation.
- Adjust the deck height to the desired cutting position best suited for the lawn, and adjust anti-scalp wheels accordingly.
- Adjust the seat position and make sure both pedals can be reached.
- Adjust the steering wheel to desired position if necessary.
- Verify the battery charge level.
- Test the safety interlock system.

## STARTING THE MOWER (Fig. E15 – Fig. E16)

**⚠ WARNING:** Avoid sudden starts, stops, and turns, as well as excessive speed, especially when first learning to operate the mower. The mower can spin rapidly, which may cause you to lose control and result in serious injury and/or damage.

**⚠ WARNING:** Before starting the mower, check and make sure the blades are disengaged within 5s when pushing the PTO switch downward. If the blades fail to stop, do not use the mower and contact your EGO customer service immediately.

**NOTICE:** Follow Fig. E17 & Fig. E18 to get the lowest driving speed and STANDARD driving mode until you are fully capable of operating the mower in all situations.

The mower will save and present the previous driving mode, driving speed and calibration of the steering wheel when restarting it.

### Driving-Mode Adjustment (Fig. E17)

- **CONTROL:** Lower acceleration, less sensitive handling, and mild turning speed to protect the grass and for new users.
- **STANDARD:** Perfect for everyday use.
- **SPORT:** Higher acceleration, accurate handling, and sharp turning to maximize mowing efficiency and for mowing enthusiasts.

**NOTE:** The driving mode cannot be adjusted during driving. The function will activate only when the mower wheels are stopped.

### Driving Speed Adjustment (Fig. E18)

### Blade Speed Adjustment (Fig. E19)

#### LED Lights

- The headlights, sidelights and rear lights are controlled by the LED light switch.
- The running lights always keep on during driving.
- When backing up, if the rear lights are turned off, they will flash to warn bystanders; if the rear lights are turned on, they will remain on.
- All lights will switch off automatically when the mower shuts off automatically after a period without operating.

## USB Port

**NOTICE:** The USB port provides charging power of 5 Voltage DC at up a combined draw of 1.5 Amperes and is powered only when the mower is startup

## STOPPING THE MOWER (Fig. E20)

**NOTICE:** After more than 60 minutes without operating, the mower will automatically shut off.

### Limp-Home Mode

When battery charge becomes critically low, the mower will go into Limp-Home mode to preserve enough power to travel back to the charging area.

- The blades switch into low rotation speed, which could only cut very little amount of grass. Upon encountering tall and dense grass, the blades will stop rotating. The audio indicator will sound (beep) intermittently.
- The mower status indicator will flash red every second, both the low-power indicator and the battery graphics on the fuel gauge will flash.

The operator should:

- Push the PTO switch downward to turn off the blade motors. The audio indicator will stop sounding when the blade motors stop.
- Stop working and get to the charging area as soon as possible. The maximum distance the mower can travel is 1000m.

When the battery is nearly depleted, the icon of each occupied battery compartment and low-power indicator will blink every half a second. The mower will stop working immediately. The operator will have to transport the mower to the charging area for charging.

**NOTICE:** If manual pushing is needed, be sure that the batteries are disconnected from the mower and the parking-brake pedal is released from the braking position.

## DRIVING THE MOWER (Fig. E21)

**⚠ DANGER:** Stay at least two mowing widths away from any ditches, drop-offs, or water. Front wheels can rotate when the mower is stopped, even with the brake applied, and cause the mower to go over the edge or into the water and result in death or serious personal injury.

**EN** **⚠ WARNING:** Be aware of what is behind the mower before backing up. DO NOT mow in reverse unless absolutely necessary. Always look down and behind before and while backing to make sure no children, bystanders, or pets enter the mowing area. Remember that a careless fraction of a second is sufficient to inflict death or serious injury.

**⚠ WARNING:** Do not operate this machine on public roadways.

**⚠ WARNING:** If blockage happens or you strike a foreign object, stop the motors and remove the batteries. Remove grass clippings, leaves, dirt and any other accumulated debris; thoroughly inspect the mower for damage and repair the damage before restarting and operating the mower.

### USING CRUISE CONTROL (CCS)

#### To activate CCS during driving (Fig. E22)

**NOTE:** The driving speed level shown on the LCD screen may not accurately represent the actual driving speed of the mower in cruise control. Press one of the speed adjustment buttons (“←” or “→”) to “refresh” and adjust the driving speed level on the LCD screen.

**To exit CCS and stop the mower,** you may choose one of the four ways:

- Slightly depress the accelerator pedal and then release it.
- Pull left/right paddle(s) toward the operator and then release.
- Depress the parking brake pedal. The mower will stop.
- Press the CCS button.

**NOTE:** Depress the accelerator pedal all the way to achieve the current CCS driving speed and keep depressing. The CCS function will stop and the mower will continue driving at the current speed.

## MAINTENANCE

**⚠ WARNING:** Always wear eye protection with side shields. Failure to do so could result in objects being thrown into your eyes resulting in possible serious injury.

**⚠ WARNING:** Always protect your hands by wearing heavy gloves or wrapping the cutting edges with rags or other materials when performing any maintenance on the mower blade. Always remove the safety key and battery packs when servicing or transporting the mower.

Maintenance Service Interval	Maintenance Procedure
Before each use or daily	<ul style="list-style-type: none"> <li>■ Check the safety-interlock system.</li> <li>■ Visually check the tires whether they are inflated.</li> <li>■ Inspect the blades.</li> <li>■ Inspect the entire product for damaged, missing, or loose parts such as side discharge chute, screws, nuts, bolts, caps, etc., ensuring that all guards are in place and working properly.</li> <li>■ Check and make sure the accelerator pedal could be depressed and release properly.</li> <li>■ Check the steering wheel damper. The steering wheel should be rotated with certain resistance.</li> </ul>
After each use	<ul style="list-style-type: none"> <li>■ Clean the mower deck.</li> </ul>
Every 25 hours	<ul style="list-style-type: none"> <li>■ Check the tire pressure.</li> </ul>
Every 100 hours	<ul style="list-style-type: none"> <li>■ Check the rear wheels, ensuring that the all lug nuts are fastened at the recommended torque.</li> </ul>
Every 200 hours	<ul style="list-style-type: none"> <li>■ Check the front wheels, ensuring that they turn freely.</li> </ul>

Before storage	<ul style="list-style-type: none"> <li>Remove the batteries from the mower.</li> <li>Remove the safety key from the mower.</li> <li>Perform all maintenance procedures listed above and thoroughly clean the mower.</li> <li>Inspect the entire product for damaged, missing, or loose parts, replace or tighten the corresponding ones before storage.</li> </ul>
Annually	<ul style="list-style-type: none"> <li>Check the parking-brake pedal. Remove the battery from the mower and set the parking-brake pedal at the braking position. Manually push the mower forwards to see whether the mower can be moved or not. If it moves, have it serviced by a qualified service technician.</li> </ul>

## GENERAL MAINTENANCE

### Cleaning the mower housing (Fig. F1 – F2)

### Using wash port to clean mower deck (Fig. F3 – F4)

F3-1	Wash Port	F3-2	Wash-Port Quick Coupler
F3-3	Garden Hose		

**NOTICE:** When finishing cleaning, turn off the mower completely and then remove the garden hose and quick-coupler.

## MAINTAINING THE MOWER DECK AND THE CUTTING BLADES

### Preparation (Fig. G1)

### Removing the mower deck (Fig. G2 – G3)

G2-1	Motor Cable	G2-2	Suspension Linkage
G2-3	Cotter Pin		

**NOTICE:** Disconnect all motor cables and cotter pins when removing the mower deck.

### Replacing the cutting blades (Fig. G4 – G6)

G4-1	Stabilizer	G5-1	Bolt
G5-2	Washer	G5-3	Blade
G5-4	Flange	G5-5	Motor Shaft

### Leveling the mower deck

#### a. When to level (Fig. G7 – G9)

#### b. Before leveling

- Checking the cold tire pressure (Fig. G10)
- Check the cutting blades. Remove and replace worn, cracked, and/or bent blades as necessary.

#### c. Preparation for leveling (Fig. G11)

#### d. How to leveling

- To make side-to-side adjustment (Fig. G12)
- To make front-to-rear adjustment (Fig. G13)

## CALIBRATING THE MOWER TRACKING SYSTEM (Fig. H1 – H2)

**NOTICE:** The beeping indicator will sound once both when starting calibration and when the calibration is finished.

**NOTE:** The calibration completed for one of the driving modes (“CONTROL”, “STANDARD”, “SPORT”) maybe not available for the other two modes. Calibrate the steering wheel in each driving mode independently as needed.

## RESETTING THE MOWER TO INITIAL FACTORY SETTING (Fig. I)

**NOTICE:** The beeping indicator will sound once both when starting resetting and when the resetting is finished.

**NOTE:** When the resetting is successful, below settings will return to the initial factory setting:

- driving mode
- driving speed
- calibration of the steering wheel

## STORAGE & TRANSPORT

### TRANSPORTING THE MOWER (Fig. J1 – J5)

**NOTICE:** Secure the mower as needed, using straps or cables to prevent movement during transport.

## EN STORAGE (Fig. K1 – K2)

**NOTICE:** Remove the battery packs and store the batteries refer to the corresponding manuals.

Clean and check the mower before storage refer to the sections “**CLEANING THE MOWER**” and “**RECOMMENDED MAINTENANCE SCHEDULE(S)**”.

## Protecting the environment



WEEE (Waste Electrical and Electronic Equipment) Do not dispose of electrical equipment, used battery and charger into household waste! Take this product to an authorized recycler and make it available for separate collection. Electric tools must be returned to an environmentally compatible recycling facility.




## TROUBLESHOOTING

EN

PROBLEM	CAUSE	SOLUTION
The zero turn ride-on mower fails to drive when the accelerator pedal is depressed.	<ul style="list-style-type: none"> <li>The combined Ah of the inserted batteries does not meet the requirement.</li> </ul>	<ul style="list-style-type: none"> <li>In order to start this mower, use enough EGO batteries following the instructions in section <b>“ATTACHING/DETACHING THE BATTERY PACK”</b> in this manual.</li> </ul>
	<ul style="list-style-type: none"> <li>The parking brake pedal is set in the braking position.</li> </ul>	<ul style="list-style-type: none"> <li>Fully depress the parking brake pedal to release it from the braking position.</li> </ul>
	<ul style="list-style-type: none"> <li>The both left and right paddles are not briefly pulled toward the operator to make the mower status indicator shine green when starting the mower.</li> </ul>	<ul style="list-style-type: none"> <li>Pull BOTH left and right paddles toward the operator simultaneously and then release. The mower status indicator will shine green, which means the mower is ready to start.</li> </ul>
	<ul style="list-style-type: none"> <li>The operator is not sitting on the seat.</li> </ul>	<ul style="list-style-type: none"> <li>Only when the operator correctly sits on the seat, can he operate the mower.</li> </ul>
	<ul style="list-style-type: none"> <li>The seat switch is not connected correctly.</li> </ul>	<ul style="list-style-type: none"> <li>Remove the battery from the mower and disassemble the seat in the reverse order of the instructions in section <b>“INSTALLING THE SEAT”</b> in this manual to make sure that the cable plug is properly connected to the socket on the bottom of the seat. Reassemble the seat and follow the instructions in <b>“STARTING THE MOWER”</b> to restart the mower to see if the mower can be started. If not, contact a qualified service technician for repair.</li> </ul>
	<ul style="list-style-type: none"> <li>Under extreme cold weather, the driving function may not start successfully due to the low temperature protection.</li> </ul>	<ul style="list-style-type: none"> <li>Always store the mower and battery in warm environment. Restart the mower when it is warmed up. Please do not make repeated attempts under extreme cold weather which may damage the machine.</li> </ul>
	<ul style="list-style-type: none"> <li>The travel path of the accelerator pedal is clogged with debris.</li> </ul>	<ul style="list-style-type: none"> <li>Check and remove the debris.</li> </ul>
	<ul style="list-style-type: none"> <li>Failure of mechanical or electronic components of the accelerator pedal.</li> </ul>	<ul style="list-style-type: none"> <li>Contact a qualified service technician for repair.</li> </ul>

EN	PROBLEM	CAUSE	SOLUTION
	The zero turn ride-on mower stops driving.	<ul style="list-style-type: none"> <li>Left / Right paddle requires a “reset”.</li> </ul>	<ul style="list-style-type: none"> <li>Pull the left/right paddles toward the operator and release them. The mower is ready for driving when the status indicator shines green.</li> </ul>
<ul style="list-style-type: none"> <li>Failure of electronic components of the accelerator pedal.</li> </ul>		<ul style="list-style-type: none"> <li>Contact a qualified service technician for repair.</li> </ul>	
<ul style="list-style-type: none"> <li>The seat safety interlock system got disconnected during driving on a rough terrain.</li> </ul>		<ul style="list-style-type: none"> <li>Remove the battery from the mower and disassemble the seat in the reverse order of the instructions in section “<b>INSTALLING THE SEAT</b>” in this manual to make sure that the cable plug is properly connected to the socket on the bottom of the seat. Reassemble the seat and follow the instructions in “<b>STARTING THE MOWER</b>” to restart the mower to see if the mower can be started. If not, contact a qualified service technician for repair.</li> </ul>	
<ul style="list-style-type: none"> <li>The operator’s weight is not evenly distributed on the seat. The weight of the operator on the seat must be at least 20 kg for the seat safety interlock system to function properly</li> </ul>		<ul style="list-style-type: none"> <li>Sit on the seat properly, pull left/right or both paddles toward the operator and release them, then the mower is ready for driving.</li> <li>Disconnect and attach the battery pack again if necessary.</li> </ul>	
<ul style="list-style-type: none"> <li>The parking-brake pedal is depressed to slow down the driving speed. Once the parking-brake pedal is depressed enough but not to the parking position, the mower will stop.</li> </ul>		<ul style="list-style-type: none"> <li>Follow the instructions in “<b>STARTING THE MOWER</b>” to restart the mower.</li> </ul>	
	The driving mode cannot be adjusted during driving.	<ul style="list-style-type: none"> <li>This is a feature of the zero turn ride-on mower for safe driving.</li> </ul>	<ul style="list-style-type: none"> <li>The function will activate only when the mower wheels are stopped.</li> </ul>

PROBLEM	CAUSE	SOLUTION
<p>The zero turn ride-on mower fails to start the blades when the PTO switch is activated.</p>  PTO Switch icon blinks	<ul style="list-style-type: none"> <li>The combined Ah of the inserted batteries does not meet the requirement.</li> </ul>	<ul style="list-style-type: none"> <li>In order to start this mower, use enough EGO batteries following the instructions in section <b>“ATTACHING/DETACHING THE BATTERY PACK”</b> in this manual.</li> </ul>
	<ul style="list-style-type: none"> <li>The PTO switch was not pushed down when the mower was turned off last time.</li> </ul>	<ul style="list-style-type: none"> <li>Push the PTO switch down and then up to restart the blade motors.</li> </ul>
	<ul style="list-style-type: none"> <li>The mower is overloaded at the moment the blades are starting to rotate, triggering the motor self-protection.</li> </ul>	<ul style="list-style-type: none"> <li>Start the mower grass cutting in lower blade speed first and do not accelerate the blade speed until the blades are rotating successfully.</li> </ul>
	<ul style="list-style-type: none"> <li>Under extreme cold weather, the blade motor may not start successfully due to the low temperature protection.</li> </ul>	<ul style="list-style-type: none"> <li>Always store the mower and battery in warm environment. Restart the mower when it is warmed up. Please do not make repeated attempts under extreme cold weather which may damage the machine.</li> </ul>
	<ul style="list-style-type: none"> <li>The blade interferes with the deformed mower deck</li> </ul>	<ul style="list-style-type: none"> <li>Call EGO Customer Service Center.</li> </ul>
	<ul style="list-style-type: none"> <li>The mower is driving at “TRAVEL” speed.</li> </ul>	<ul style="list-style-type: none"> <li>When the mower is driving at “TRAVEL” speed, the blade motors will automatically stop.</li> </ul>

EN	PROBLEM	CAUSE	SOLUTION
	The blades stop working during grass cutting.	<ul style="list-style-type: none"> <li>▪ The mower is overloaded.</li> </ul>	<ul style="list-style-type: none"> <li>▪ Raise the deck cutting height or slow down the driving speed to reduce the load of the mower.</li> </ul>
<ul style="list-style-type: none"> <li>▪ The mower deck is clogged with grass and debris.</li> </ul>		<ul style="list-style-type: none"> <li>▪ Clean the mower deck and make certain that the blades have freedom of movement.</li> </ul>	
<ul style="list-style-type: none"> <li>▪ The mower is overheated.</li> </ul>		<ul style="list-style-type: none"> <li>▪ Reduce the load of the mower, by raising the deck cutting height or slowing down the blade/driving speed and allow the mower to cool.</li> </ul>	
<ul style="list-style-type: none"> <li>▪ The battery pack(s) in the mower's battery compartment is overheated, resulting in combined Ah rating of all inserted batteries to not meet the requirement.</li> </ul>		<ol style="list-style-type: none"> <li>1. The mower can continue working if the combined battery Ah rating, overheated battery excluded, meets the requirement. Once the overheated battery returns to normal temperature, it will join in powering the mower immediately.</li> <li>2. If the combined battery Ah rating does not meet the requirement, the mower will not work until more battery packs are inserted into the vacant battery compartments.</li> <li>3. Reduce the load of the mower by raising the deck cutting height or slowing down the mowing when resuming operation.</li> </ol>	
<ul style="list-style-type: none"> <li>▪ The mower is in Limp-Home mode.</li> </ul>		<ul style="list-style-type: none"> <li>▪ When the mower is in Limp - Home mode, the blades are automatically switched into low rotation speed. The operator should stop working and drive to the battery charging area as soon as possible.</li> </ul>	
<ul style="list-style-type: none"> <li>▪ The mower is hit by a foreign object, resulting in motor self-protection.</li> </ul>		<ul style="list-style-type: none"> <li>▪ Push the PTO switch down and then up to restart the blade motors.</li> </ul>	
<ul style="list-style-type: none"> <li>▪ The mower speed is adjusted into "TRAVEL" mode.</li> </ul>		<ul style="list-style-type: none"> <li>▪ When the mower speed is in "TRAVEL" mode, the blade motors will automatically stop.</li> </ul>	
	The audio indicator continues sounding.	<ul style="list-style-type: none"> <li>▪ The mower is in Limp-home mode and the blades are not turned off.</li> </ul>	<ul style="list-style-type: none"> <li>▪ Push the PTO switch down to turn off the blade motors. The audio indicator will stop sounding when the blade motors are turned off.</li> </ul>
<ul style="list-style-type: none"> <li>▪ The mower stops driving on a slope and the operator is off the seat without setting the parking-brake pedal at the braking position.</li> </ul>		<ul style="list-style-type: none"> <li>▪ Set the parking-brake pedal in the braking position before leaving the mower on the slope.</li> </ul>	

PROBLEM	CAUSE	SOLUTION
The battery indicators are still on when the mower is turned off.	<ul style="list-style-type: none"> <li>When the mower is turned off on ground without removing the battery pack(s) from the mower, the battery indicators, start/stop button and CCS button will remain illuminated for a period.</li> </ul>	<ul style="list-style-type: none"> <li>No action is needed. The battery indicators will go off when the mower shuts off after a period. Refer to the section “<b>STOPPING THE MOWER</b>” for specific time.</li> </ul>
	<ul style="list-style-type: none"> <li>When the mower is turned off on a slope without setting the parking-brake at the braking position, the battery indicators will keep on until the battery charge is depleted. The audio indicator keeps sounding at the same time.</li> </ul>	<ul style="list-style-type: none"> <li>Set the parking-brake pedal in the braking position before leaving the mower on the slope.</li> </ul>
The LCD screen fails to be illuminated with all icons on.	<ul style="list-style-type: none"> <li>Start/stop button has been pressed for sufficient time.</li> </ul>	<ul style="list-style-type: none"> <li>The LCD screen will only display the “fuel gauge” when the start/stop button is pressed briefly.</li> </ul>
		<ul style="list-style-type: none"> <li>The LCD screen will turn on after the start/stop button has been pressed for sufficient time.</li> </ul>
The mower cuts unevenly, with significant height difference front to rear.	<ul style="list-style-type: none"> <li>The blades are dull.</li> </ul>	<ul style="list-style-type: none"> <li>Sharpen or replace the cutting blade as instructed in this manual.</li> </ul>
	<ul style="list-style-type: none"> <li>The blades are bent.</li> </ul>	<ul style="list-style-type: none"> <li>Replace the bent cutting blade following the instructions in section “<b>REPLACING THE CUTTING BLADES</b>”.</li> </ul>
	<ul style="list-style-type: none"> <li>The mower deck is not leveled, resulting in different cutting blade height.</li> </ul>	<ul style="list-style-type: none"> <li>Level the mower deck following the instructions in section “<b>LEVELING THE MOWER DECK</b>”.</li> </ul>
The actual grass cutting height is not aligned with the claimed height.	<ul style="list-style-type: none"> <li>The mower deck nuts are loosened on the suspension linkage</li> </ul>	<ul style="list-style-type: none"> <li>Follow the instructions in section “<b>LEVELING THE MOWER DECK</b>” to make correct front-to-rear adjustment for the mower deck and securely tighten the nuts on the suspension linkage.</li> </ul>
	<ul style="list-style-type: none"> <li>The mower deck is damaged or seriously worn.</li> </ul>	<ul style="list-style-type: none"> <li>Follow the instructions in section “<b>REMOVING THE MOWER DECK</b>” to have mower deck replacement.</li> </ul>
The mower does not mulch properly.	<ul style="list-style-type: none"> <li>Wet grass clippings are sticking to the underside of the deck.</li> </ul>	<ul style="list-style-type: none"> <li>Wait until the grass dries before mowing.</li> </ul>
	<ul style="list-style-type: none"> <li>The mower is set to cut too much grass at once.</li> </ul>	<ul style="list-style-type: none"> <li>Raise the deck cutting height.</li> </ul>



EN

PROBLEM	CAUSE	SOLUTION
Excessive vibration.	<ul style="list-style-type: none"> <li>The cutting blades are loose.</li> </ul>	<ul style="list-style-type: none"> <li>Tighten the blade bolt to the recommended torque.</li> </ul>
	<ul style="list-style-type: none"> <li>The blades are bent.</li> </ul>	<ul style="list-style-type: none"> <li>Replace the bent cutting blade following the instructions in section <b>“REPLACING THE CUTTING BLADES”</b>.</li> </ul>
	<ul style="list-style-type: none"> <li>The mower deck is not leveled.</li> </ul>	<ul style="list-style-type: none"> <li>Level the mower deck following the instructions in section <b>“LEVELING THE MOWER DECK”</b>.</li> </ul>
	<ul style="list-style-type: none"> <li>The mower deck nuts are loosened on the suspension linkage.</li> </ul>	<ul style="list-style-type: none"> <li>Tighten the nuts on the suspension linkage.</li> </ul>
	<ul style="list-style-type: none"> <li>The mower is set to cut too much grass at one.</li> </ul>	<ul style="list-style-type: none"> <li>Raise the deck cutting height.</li> </ul>
There are grass or debris remaining on the ground after mowing.	<ul style="list-style-type: none"> <li>The mower is set to cut too much grass at once when the grass is tall.</li> </ul>	<ul style="list-style-type: none"> <li>Begin with a high cutting height and reduce it until the desired mowing result is attained. Grass over 152 mm tall should be mowed twice, at successively lower cutting heights.</li> </ul>
	<ul style="list-style-type: none"> <li>The grass is wet.</li> </ul>	<ul style="list-style-type: none"> <li>Do not mow when the grass is wet until the grass dries.</li> </ul>
	<ul style="list-style-type: none"> <li>The driving speed is high.</li> </ul>	<ul style="list-style-type: none"> <li>Slow down the driving speed.</li> </ul>
	<ul style="list-style-type: none"> <li>The blade speed is low.</li> </ul>	<ul style="list-style-type: none"> <li>Increase the blade speed gradually.</li> </ul>
Short run time of the mower with included battery.	<ul style="list-style-type: none"> <li>Lawn terrain, grass conditions, cutting-height setting, driving speed, blade speed, etc. will greatly affect the running time.</li> </ul>	<ul style="list-style-type: none"> <li>Raise the deck cutting height and slow down the blade speed to reduce the cutting load.</li> </ul>
The mower is not tracking straight.	<ul style="list-style-type: none"> <li>The tire pressures for the left and right rear wheels are different.</li> </ul>	<ul style="list-style-type: none"> <li>Check and adjust the air pressure in both rear wheel tires, according to the section <b>“SPECIFICATIONS”</b>.</li> </ul>
	<ul style="list-style-type: none"> <li>The driving speed for the left and right rear wheels are different.</li> </ul>	<ul style="list-style-type: none"> <li>Calibrate the steering wheel following the instructions in section <b>“CALIBRATING THE MOWER TRACKING SYSTEM”</b>.</li> </ul>
The parking-brake pedal cannot not be released from the braking position or is slow to spring back.	<ul style="list-style-type: none"> <li>There may be debris or dirt getting inside the parking-brake pedal.</li> </ul>	<ul style="list-style-type: none"> <li>Open the parking-brake pedal box to thoroughly clean the box inside and close it. Reset the parking-brake pedal to see whether the problem is solved. If not, contact a qualified service technician for repair.</li> </ul>
The mower cannot be charged via charging port with the mower status indicator shining solid red.	<ul style="list-style-type: none"> <li>The plug of the charger is not correctly inserted into the charging port on the mower.</li> </ul>	<ul style="list-style-type: none"> <li>Reconnect the charger plug to see whether the mower can be charged normally.</li> </ul>
	<ul style="list-style-type: none"> <li>There is no power in the wall outlets.</li> </ul>	<ul style="list-style-type: none"> <li>No action is needed. Wait until the power recovers.</li> </ul>
	<ul style="list-style-type: none"> <li>Charger malfunction.</li> </ul>	<ul style="list-style-type: none"> <li>Call EGO Customer Service Center for inspection and have charger repaired if needed.</li> </ul>
	<ul style="list-style-type: none"> <li>The charger port on the mower is defective.</li> </ul>	<ul style="list-style-type: none"> <li>Call EGO Customer Service Center.</li> </ul>

<b>PROBLEM</b>	<b>CAUSE</b>	<b>SOLUTION</b>
The charging time via the mower charging port is too long.	<ul style="list-style-type: none"> <li>Using EGO Adapter ACA1000 for charging requires long time.</li> </ul>	<ul style="list-style-type: none"> <li>Use EGO charger CHV1600E for charging the zero turn ride-on mower directly.</li> </ul>
The battery cannot be fully charged via the mower charging port.	<ul style="list-style-type: none"> <li>Firmware bug of the mower or the battery or the charger failure.</li> </ul>	<ul style="list-style-type: none"> <li>Reset the charger by unplugging the charger and waiting for longer than several minutes. Then reconnect the plug to the power supply. If this does not solve the problem, call EGO Customer Service Center.</li> </ul>
The mower cannot be started after cleaning.	<ul style="list-style-type: none"> <li>Improper cleaning, such as water getting on the electric components, LCD screen etc.</li> </ul>	<ul style="list-style-type: none"> <li>Follow the instructions in section “<b>GENERAL MAINTENANCE</b>” to clean the mower correctly.</li> </ul>
		<ul style="list-style-type: none"> <li>If the mower caught in rain accidentally, leave it in the air to dry or use compressed air to dry it.</li> </ul>
The mower deck gets clogged fast.	<ul style="list-style-type: none"> <li>The mower deck was not properly cleaned after previous use.</li> </ul>	<ul style="list-style-type: none"> <li>Clean the mower deck after each use, following the section “<b>USING WASH PORT TO CLEAN MOWER DECK</b>”.</li> </ul>
The mower easily loses traction when climbing up on the slope.	<ul style="list-style-type: none"> <li>The tires of the rear wheels are worn.</li> </ul>	<ul style="list-style-type: none"> <li>Seek local service to replace the wheel tires.</li> </ul>
	<ul style="list-style-type: none"> <li>Mowing on a steep slope.</li> </ul>	<ul style="list-style-type: none"> <li>The mower should not be used to mow slopes steeper than at required degree.</li> </ul>
When the mower is stopped on a slope with the parking-brake pedal pressed, the mower can roll down the slope.	<ul style="list-style-type: none"> <li>The brake components are excessively worn due to improper operation of the mower.</li> </ul>	<ul style="list-style-type: none"> <li>Call EGO Customer Service Center for repair.</li> </ul>
There is no water coming from the wash port when attempting to wash the deck.	<ul style="list-style-type: none"> <li>The wash-port quick coupler is not properly mounted onto the wash port.</li> </ul>	<ul style="list-style-type: none"> <li>Re-attach the wash-port quick coupler until you hear a clear click after firmly pushing. If it does not work, call EGO Customer Service Center.</li> </ul>
An abnormal sound is heard when manually pushing the mower without starting it.	<ul style="list-style-type: none"> <li>The sound comes from the magnets inside the driving motor.</li> </ul>	<ul style="list-style-type: none"> <li>It is normal and no action is needed.</li> </ul>
The steering wheel cannot be rotated.	<ul style="list-style-type: none"> <li>The steering wheel assembly is clogged with debris.</li> </ul>	<ul style="list-style-type: none"> <li>Check and remove the debris.</li> </ul>
The mower does not turn left/right when the steering wheel is rotated.	<ul style="list-style-type: none"> <li>Failure of electronic or mechanical components.</li> </ul>	<ul style="list-style-type: none"> <li>Call EGO Customer Service Center for repair.</li> </ul>
The mower fails to stop when releasing the accelerator pedal.	<ul style="list-style-type: none"> <li>The return path of the accelerator pedal is clogged with debris.</li> </ul>	<ul style="list-style-type: none"> <li>Check and remove the debris.</li> </ul>
	<ul style="list-style-type: none"> <li>The CCS button is pressed unintentionally while driving. The mower is in cruise-control mode</li> </ul>	<ul style="list-style-type: none"> <li>Check if the CCS icon is illuminated on the LCD screen, and exit the CCS as necessary. Refer to chapter “<b>USING CRUISE CONTROL (CCS)</b>”</li> </ul>

EN	PROBLEM	CAUSE	SOLUTION
	The CCS function cannot be activated or turned off.	<ul style="list-style-type: none"> <li>▪ The CCS button is not pressed properly.</li> </ul>	<ul style="list-style-type: none"> <li>▪ Press the CCS button until the CCS icon is illuminated on the LCD screen, or disappears from the LCD screen.</li> </ul>
	The mower fails to drive reverse when left/right paddle(s) is pulled toward the operator.	<ul style="list-style-type: none"> <li>▪ The mower status indicator does not show green and the mower is not ready for driving.</li> </ul>	<ul style="list-style-type: none"> <li>▪ Follow the section “STARTING THE MOWER” to make the mower status indicator show green and mower is ready for driving.</li> </ul>
		<ul style="list-style-type: none"> <li>▪ The left/right paddle(s) is not pull toward the operator properly.</li> </ul>	<ul style="list-style-type: none"> <li>▪ Pull left paddle or right paddle or both paddles simultaneously toward the operator until a “click” sound is heard.</li> </ul>
		<ul style="list-style-type: none"> <li>▪ The left/right paddle(s) is not kept pulled toward the operator.</li> </ul>	<ul style="list-style-type: none"> <li>▪ To drive in reverse, at least one of the paddles has to be kept pulled toward the operator.</li> </ul>
		<ul style="list-style-type: none"> <li>▪ The left/right paddle(s) is broken.</li> </ul>	<ul style="list-style-type: none"> <li>▪ Contact a qualified service technician for repair.</li> </ul>

## MOWER STATUS REFERENCE & FAULT CODE

EN

LCD Display	Description	Fault Code on LCD	Mower Status Indicator	Beeper	Cause	Solution
	LED lights icon shows on the LCD screen.	n/a	OFF	No	The headlights, sidelights, and rear lights are turned on by the LED light switch.	This is normal operation. No action is needed.
	USB icon shows on the LCD screen.	n/a	OFF	No	USB icon illuminates that a USB device can work after the mower is started correctly.	This is normal operation. No action is needed.
	Fuel Gauge icon shows on the LCD screen.	n/a	OFF	No	It indicates the average charge capacity of inserted batteries	This is normal operation. No action is needed.
	Hour Meter icon shows on the LCD screen.	n/a	OFF	No	It shows the total driving time of mower, in hours and cannot be reset.	This is normal operation. No action is needed.
	Load indicator icon shows in the ECO range.	n/a	OFF	No	It indicates the current load of the mower.	This is normal operation. No action is needed.
	Reverse icon shows on the LCD screen.	n/a	OFF	No	It indicates the mower is driving backward.	This is normal operation. No action is needed.
	Safety key icon blinks.	n/a	OFF	No	The safety key is not inserted.	Insert the safety key then press and hold the START/STOP button to turn on the mower.
					Key Control Panel Box Assembly is broken.	Have repairs performed by a qualified service technician.

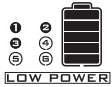
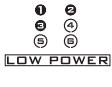


EN

LCD Display	Description	Fault Code on LCD	Mower Status Indicator	Beeper	Cause	Solution
	The icon of a certain battery compartment blinks.	n/a	OFF	No	A certain battery during discharging is over-current.	No action is needed. The mower can continue working if the combined battery Ah rating, over-current battery excluded, meets the requirement. Once the over-current battery returns to normal, it will join in powering the mower immediately and the icon will disappear.
	The icon of the empty battery compartment blinks	n/a	OFF	No	Battery capacity is not sufficient to allow the mower to work.	In order to start this mower, use enough EGO batteries following the instructions in section “ <b>ATTACHING/ DETACHING THE BATTERY PACK</b> ” in this manual.
	The overload indicator blinks	n/a	Flashes red	One beep	The blade motor is overloaded.	Raise the deck cutting height or slow the driving speed to reduce the load of the mower.
					The side discharge chute is clogged with grass and debris.	Clean the side discharge chute after each use.
					There is an interference between the blade and the mower deck.	Call EGO Customer Service Center



LCD Display	Description	Fault Code on LCD	Mower Status Indicator	Beeper	Cause	Solution
	The temperature icon blinks.	n/a	OFF	One beep	The mower is overheated.	Reduce the load of the mower by raising the deck cutting height or slowing down the blade/driving speed. Take a break and allow the mower to cool.
					The mower is too cold.	Please do not make repeated attempts which may damage the machine. Always store the mower and batteries in warm environment. Restart the mower when it is warmed up.
	The temperature icon and the exact occupied battery compartment blink at the same time.	n/a	OFF	No	The battery pack in the corresponding. Numbered battery compartment is overheated.	<ol style="list-style-type: none"> <li>The mower can continue working if the combined battery Ah rating, overheated battery excluded, meets the requirement. Once the overheated battery returns to normal temperature, it will join in powering the mower immediately.</li> <li>If the combined battery Ah rating is not sufficient, the mower will not work until more battery packs are inserted into the vacant battery compartments.</li> <li>Reduce the load of the mower by raising the deck cutting height or slowing down the mowing when resuming operation.</li> </ol>

EN

LCD Display	Description	Fault Code on LCD	Mower Status Indicator	Beeper	Cause	Solution
	The icons of each occupied battery compartment, low power indicator, and fuel gauge blink every 1 second at the same time on the LCD screen. The first LED fuel-gauge & mower status indicator blinks too.	n/a	Flashes red	Keeps beeping until the PTO switch is pushed downward.	The battery packs are low on charge and the mower is in Limp Home mode.	Stop working and return to the battery charging area. <b>NOTE:</b> When the mower is in Limp-Home mode, the blades are automatically switched into low rotation speed and meanwhile the audio indicator will keep beeping. The operator should push the PTO switch downward to turn off the blade motors. The audio indicator will stop beeping after the blades stop.
	The icon of each occupied battery compartment and low power indicator blink every half a second, the first LED fuel-gauge will flash red every half a second too.	n/a	Flashes red	Keeps beeping	The battery packs are nearly depleted.	The mower will stop working immediately. The operator should transport the mower to the battery charging area for charging.
	The auto-parking icon blinks on the LCD.	n/a	OFF	Keeps beeping	The mower is parked on a slope and the operator leaves the mower without setting the parking-brake pedal at the braking position.	Set the brake pedal at the braking position. The auto-parking icon will turn off and the sound indicator will stop beeping.
	Brake pedal icon shows on the LCD	n/a	OFF	No	The parking brake pedal is set at the braking position.	Release it before starting the mower.

**NOTE:** If a fault code appears on LCD screen, remove all battery packs and re-insert them a few minutes later. If this doesn't solve the problem, follow the fault code troubleshooting below.

LCD Display	Description	Fault Code on LCD	Mower Status Indicator	Beeper	Cause	Solution
	Seat sensor icon shows on the LCD	n/a	OFF	No	The operator leaves the seat or the seat safety interlock system is disconnected.	If with the operator is seated on the seat and the icon is on, stop operating the mower immediately and check the seat connection. If the seat connection with the mower is confirmed correct, please contact a qualified service technician for repairs.
	PTO Switch icon blinks	n/a	OFF	No	The blade motor was interrupted in operation and the PTO switch is not set to off position.	Before restarting the mower, push the PTO switch down to turn off the blade motors. Please see <b>“TROUBLESHOOTING”</b> section in this manual for reference.
	Energy regeneration icon blinks occasionally.	n/a	OFF	No	The kinetic energy generated during braking or driving downhill is converted into electricity to charge the battery packs.	This is normal operation. No action is needed.
	CCS icon blinks	n/a	OFF	No	The CCS (cruise control system) function has failed.	The CCS function could not be set when the mower is driving at very low speed or is driving in reverse.

EN

LCD Display	Description	Fault Code on LCD	Mower Status Indicator	Beeper	Cause	Solution	
See "Fault Code"	Left driving motor falls in rotation.	PCBA controlled left driving motor fails.	413	OFF	One beep	PCBA failure	Have repairs performed by a qualified service technician.
		Plug (Triple-phase, power wire) connecting the left driving motor with the corresponding PCBA is loosened.	317	OFF	One beep	Loose connection	
		Plug (Six pins, signal wire) connecting the left driving motor with the corresponding PCBA is loosened.	301	OFF	One beep	Loose connection	
		Left driving motor fails.	317	OFF	One beep	Motor failure	
See "Fault Code"	Right driving motor fails in rotation	PCBA controlled right driving motor fails.	313	OFF	One beep	PCBA failure	Have repairs performed by a qualified service technician.
		Plug (Triple-phase, power wire) connecting the right driving motor with the corresponding PCBA is loosened.	417	OFF	One beep	Loose connection	
		Plug (Six pins, signal wire) connecting the right driving motor with the corresponding PCBA is loosened.	401	OFF	One beep	Loose connection	
		Right driving motor fails.	417	OFF	One beep	Motor failure	

LCD Display	Description	Fault Code on LCD	Mower Status Indicator	Beeper	Cause	Solution	
See "Fault Code"	Left blade motor fails in rotation	PCBA controlled left blade motor fails	607	n/a	One beep	PCBA failure	Have repairs performed by a qualified service technician.
		Plug (Triple-phase, power wire) connecting the left blade motor with the corresponding PCBA is loosened.	509	n/a	One beep	Loose connection	Inspect the blade firstly. If it is loosened, tighten the bolt with recommended torque. Otherwise, have repairs performed by a qualified service technician.
		Left blade motor fails	509	n/a	One beep	Motor failure	
See "Fault Code"	Right blade motor fails in rotation	PCBA controlled right blade motor fails	507	n/a	One beep	PCBA failure	Have repairs performed by a qualified service technician.
		Plug (Triple-phase, power wire) connecting the right blade motor with the corresponding PCBA is loosened.	609	n/a	One beep	Loose connection	Inspect the blade firstly. If it is loosened, tighten the bolt with recommended torque. Otherwise, have repairs performed by a qualified service technician.
		Right blade motor fails	609	n/a	One beep	Motor failure	
See "Fault Code"	Accelerator pedal fails	311 /411 307 /407	OFF	One beep	PCBA failure Loose connection	Have repairs performed by a qualified service technician.	
See "Fault Code"	Steering wheel fails	312 /412	OFF	One beep	PCBA failure Loose connection	Have repairs performed by a qualified service technician.	
See "Fault Code"	Parking brake fails, the mower cannot be driven.	Parking brake PCBA, which is in the front frame assembly, is broken.	309 /409	OFF	One beep	PCBA failure	Have repairs performed by a qualified service technician.
		Parking brake switch and/or wire is broken.	801	OFF	One beep	Wire/Switch failure	



**EN**

LCD Display	Description	Fault Code on LCD	Mower Status Indicator	Beeper	Cause	Solution
OFF	Charging Prot Fault	n/a	Solid RED	n/a	The charging port is in open circuit.	Have repairs performed by a qualified service technician.
		n/a	Solid RED	n/a	There is no power supply.	Check the wall outlet whether there is 220 – 240 V supplied or the socket is good.
		n/a	Solid RED	n/a	The fuse is blown.	Have repairs performed by a qualified service technician.
See “Fault Code”	Charging Port Fault	204	n/a	One beep	The charging port is in open circuit.	Have repairs performed by a qualified service technician.
See “Fault Code”	Battery Box Assembly not functioning.	217	n/a	One beep	The power source from Battery Box assembly is broken. The LED headlights and USB will not work.	Have repairs performed by a qualified service technician.
		310 /410	OFF	One beep	The connection between Type C wires of Battery Box assembly and other Type C wires of the mower is out of work.	
		201 /202 /203	OFF	One beep	The BMS of the Battery Box assembly is broken.	
See “Fault Code”	Start/Stop Switch Fault	314 /414	OFF	One beep	Switch PCBA failure or bad wire connection for Start/stop Switch.	Have repairs performed by a qualified service technician.
See “Fault Code”	LCD Screen Fault	315 /415	OFF	One beep	LCD assembly is broken or bad wire connection of the LCD assembly.	Have repairs performed by a qualified service technician.



## WARRANTY

EN

### EGO WARRANTY POLICY

Please visit the website [egopowerplus.com](https://egopowerplus.com) for full terms and conditions of the EGO Warranty policy.

## LESEN SIE ALLE ANWEISUNGEN!

DE



### BEDIENUNGSANLEITUNG LESEN

## WARNSYMBOL

Der Zweck von Warnsymbolen besteht darin, Ihre Aufmerksamkeit auf mögliche Gefahren zu lenken. Die Warnsymbole und deren Erklärungen verdienen Ihre vollste Aufmerksamkeit und Beachtung. Durch die Warnsymbole allein sind die Gefahren noch nicht ausgeschaltet. Die Anweisungen und Warnhinweise stellen keinen Ersatz für angemessene Unfallverhütungsmaßnahmen dar.

**⚠️ WARNUNG:** Vor der Benutzung des Geräts sollten Sie alle Sicherheitsanweisungen in dieser Bedienungsanleitung gelesen und verstanden haben. Das gilt auch für die Sicherheits- und Gefahrenzeichen wie „**VORSICHT**“, „**WARNUNG**“ und „**ACHTUNG**“. Die Nichtbeachtung aller aufgeführter Anweisungen kann zu Stromschlägen, Bränden und/oder schweren Verletzungen führen.

## SYMBOLBEDEUTUNG

Auf dieser Seite werden die Warnsymbole vorgestellt und beschrieben, die sich unter Umständen an dem Gerät befinden. Alle Anweisungen am Gerät lesen und befolgen, bevor das Gerät montiert und in Betrieb gesetzt wird.

## WARNSYMBOL

	Sicherheitswarnung		Bedienungsanleitung aufmerksam lesen
	Augenschutz		Sicherheitseinrichtungen instandhalten
	GEFAHR – Steile Böschung		GEFAHR – Schaulustige von Messern fernhalten
	Nie Kinder befördern		Beim Zurücksetzen nach hinten schauen
	WARNUNG - Verwenden Sie diese Maschine nicht an Böschungen mit einer Steigung von mehr als 12 Grad.		GEFAHR - Herausgeschleuderte Gegenstände
	WARNUNG - HÄNDE UND FÜSSE FERNHALTEN		Garantierter Schalleistungspegel. Gemäß Richtlinie der Europäischen Gemeinschaft.



Nicht betreten



Elektrische Altgeräte dürfen nicht im Hausmüll entsorgt werden. Bringen Sie das Gerät zu einem Wertstoffhof bzw. zu einer amtlichen Sammelstelle.

DE



Dieses Produkt erfüllt die einschlägigen CE-Richtlinien



VORSICHT – Nicht in die Betriebsleuchte blicken.



Gleichstrom



Dieses Produkt erfüllt die einschlägigen Vorschriften in GB.

kPa

Kilopascal

MIN-1

Umdrehungen pro Minute

V

Volt

m

Meter

in

Zoll

cm

Zentimeter

Nm

Newtonmeter

mm

Millimeter

°C

Celsius

kg

Kilogramm

km/h

Kilometer pro Stunde

IPX4

Schutzklasse

## WARNSYMBOL



Die Informationen müssen beachtet werden.



Die angegebene Aktion stoppt.

## TECHNISCHE DATEN

Spannung		56 V
Mähwerkgröße		107 cm
Radgröße	Vorne	279,4 x 101,6 — 127 mm
	Hinten	457,2 x 241,3 — 203,2 mm
Reifendruck kalt	Vorne	222,1 kPa
	Hinten	110,3 kPa
Wendekreis		0
Messergeschwindigkeit (min-1)		2400; 2600; 2800; 3000

Maximale Fahrgeschwindigkeit	Vorwärts	4,8 km/h, 8,1 km/h, 9,7 km/h, 11,3 km/h (12,8 km/h im Travel-Modus)
	Rückwärts	bis 5,6 km/h
Aufladen	Ladegerät (optional)	CHV1600E
	Netzteil (optional)	ACA1000
	Ladetemperaturbereich	5°C - 40°C
Schnitt Höhenverstellung (10-stufig)		25 – 100 mm
Betriebstemperatur		0°C- 40°C
Lagertemperatur		-20°C - 70°C

Gewicht (ohne Akkusatz)	196 kg	
Gemessener Schallleistungspegel $L_{WA}$	96,44 dB(A) K=0,68 dB(A)	
Schalldruckpegel am Ohr des Bediener $L_{PA}$	84,3 dB(A) K=3,0 dB(A)	
Garantierter Schallleistungspegel $L_{WA}$ (gemäß Messung nach 2000/14/CE)	100 dB(A)	
Vibration $a_n$	Hand	1,221 m/s <sup>2</sup> K=1,5 m/s <sup>2</sup>
	Karosserie	0,568 m/s <sup>2</sup> K=1,5 m/s <sup>2</sup>

- Der angegebene Vibrationsgesamtwert wurde nach einem Standard-Prüfverfahren gemessen und kann zum Vergleich mit einem anderen Werkzeug herangezogen werden.
- Der angegebene Vibrationsgesamtwert kann auch zur vorläufigen Risikobewertung herangezogen werden.

**HINWEIS:** Die beim Einsatz des Elektrowerkzeugs entstehenden Istvibrationen können von dem angegebenen Wert abweichen. Zum Schutz des Benutzers sollten Handschuhe und ein Gehörschutz während des Geräteinsatzes getragen werden.

## EMPFOHLENES ZUBEHÖR

**⚠️ WARNUNG:** Verwenden Sie nur die unten aufgeführten baugleichen Ersatzteile. Die Verwendung von Teilen, die nicht die originalen Gerätespezifikationen erfüllen, kann zu fehlerhafter Leistung und Beeinträchtigungen der Sicherheit führen.

BEZEICHNUNG DER TEILE	MODELLNUMMER
Standardmesser	AB4200
Messer mit höherem Hub	AB4201
Mulchstecker	AMP4200
Grasfangvorrichtung	ABK4200-A
Hinterer Stoßdämpfer	AMB1000

Frachtbox	AMG1000
Sonnenschutz	AMS1000

## BESCHREIBUNG

### BESCHREIBUNG DES RASENMÄHERS (Abb. A1)

- Sitz
- Ladeanschluss
- Antriebsaggregat
- LED-Rücklicht
- Aufbewahrungsfach
- LED-Seitenlicht
- Hinterrad (Antriebsrad)
- Schlauchanschluss
- Deck
- Deckschutzhaube
- Stützrolle
- Vorderrad
- Feststellbremspedal
- Tagfahrleuchten
- LED-Scheinwerfer
- Gaspedal
- Fußablage
- Seitenauswurf
- Einstellhebel für Deckhöhe
- Einstellknopf für Sitzfederung
- Lenkrad
- Rechte Box
- Hebel zur Einstellung der Sitzposition
- Zapfwellenschalter
- Start/Stopp-Taste
- Sicherheitsschlüssel
- Smartphone-Aufbewahrungsfach
- Becherhalter
- Linkes Paddel
- Rasenmäherstatusanzeige



31. LC-Display
32. Rechtes Paddel
33. Einstelltaste Messergeschwindigkeit
34. CCS-Taste
35. Fahrmodustaste
36. LED-Beleuchtungsschalter
37. Einstelltaste Fahrgeschwindigkeit
38. Deckelentriegelung des Antriebsaggregats
39. Deckel des Antriebsaggregats
40. Antriebsaggregat mit sechs Akkufächern
41. Akku-Entriegelungstaste
42. Anhängenkupplung
43. Montageabdeckung für Anbaugeräte
44. USB-Anschluss

### BESCHREIBUNG DES LC-DISPLAYS (Abb. A2)

Weitere Informationen zu den Symbolen und Anzeigen auf dem LC-Display stehen im Kapitel „LISTE MIT STATUS- UND FEHLERCODES“.

1. Rückwärts-Symbol
2. CCS-Symbol
3. Sicherheitsschloss-Symbol
4. LED-Leuchten-Symbol
5. Parkautomatik-Symbol
6. USB-Symbol
7. Messergeschwindigkeitsanzeige
8. Statusanzeige Sicherheitseinrichtung
9. Betriebsstundenzähler
10. Leeres Akkufach-Symbol
11. Temperatur-Symbol
12. Symbol für ein besetztes Akkufach
13. Fahrmodus
14. Fehlercode-Anzeige
15. Überlast-Anzeige
16. Akkuwarnanzeige
17. Kraftstoffanzeige
18. Lastanzeige
19. Fahrgeschwindigkeitsanzeige

## AUSPACKEN

**HINWEIS:** Bewahren Sie das Verpackungsmaterial solange auf, bis Sie das Gerät sorgfältig überprüft und zufriedenstellend in Betrieb genommen haben. Sollten bestimmte Teile der Packliste am Gerät montiert sein, wenden Sie sich unverzüglich an den EGO Kundenservice.

**HINWEIS:** Mit Ausnahme der Werkzeuge in der unten aufgeführten Packliste sind alle übrigen Werkzeuge, die in der Anleitung genannt werden, lediglich Empfehlungen, jedoch werden sie nicht mitgeliefert.

**HINWEIS:** Entfernen Sie den Schaumstoffblock unter dem Lenkrad nicht, bevor das Lenkrad richtig montiert ist. Vibrationen während der Bewegung können das Lenkrad beschädigen.

### PACKLISTE (ABB. B)

B-1	Aufsitzrasenmäher	B-2	Sitz
B-3	Mulchstecker	B-4	Innensechskantschrauben (2 als Reserve)
B-5	Innensechskantschlüssel	B-6	Steckschlüssel
B-7	Maulschlüssel	B-8	Sicherheitsschlüssel
B-9	Schnellkupplung für Schlauchanschluss	B-10	Bedienungsanleitungen

## MONTAGE

### SITZ MONTIEREN (Abb. C1 - C4)

**⚠️ WARNUNG:** Die Sicherheitsverriegelung darf weder abgeschaltet noch überbrückt werden. Andernfalls könnte der Mäher unerwartet anlaufen und Verletzungen verursachen.

**HINWEIS:** Zu Ihrer eigenen Sicherheit hält der Mäher an, sobald sich der Sitzschalterkontakt beim Fahren öffnet. Lesen Sie in diesem Fall die Hinweise im Kapitel „STÖRUNGSBEHEBUNG“.

C1-1	Buchse	C1-2	Stecker
------	--------	------	---------

C1-3	Kabel	C2-1	Armlehne
C2-2	Federungs-Unterteil	C2-3	Innensechskantschlüssel
C2-4	Innensechskantschrauben	C2-5	Hebel zur Einstellung der Sitzposition
C3-1	Stahlschienen	C3-2	Innensechskantschlüssel
C3-3	Innensechskantschrauben	C4-1	Haken

### LENKRAD MONTIEREN (Abb. C5 – C6)

C5-1	Verriegelungsbolzen	C5-2	Bar
C6-1	Klemmblock	C6-2	Aussparung
C6-3	Lenkradbezug		

### MULCHSTECKER ANSCHLIESSEN (Abb. C7)

C7-1	Seitenauswurf	C7-2	Mulchstecker
C7-3	Verstellfeder		

## EINSTELLUNG

### VOR DER EINSTELLUNG (Abb. D1)

### EINSTELLEN DER MÄHDECKHÖHE (Abb. D2)

### EINSTELLEN DER STÜTZROLLEN (Abb. D3 – Abb. D6)

D3-1	Stützrolle	D5-1	Mutter
D5-2	Radbolzen	D6-1	Aufkleber Deckhöhe

### SITZ EINSTELLEN (Abb. D7)

D7-1	Hebel zur Einstellung der Sitzposition	D7-2	Einstellknopf für Sitzfederung
------	--	------	--------------------------------

### LENKRAD EINSTELLEN (Abb. D8)

D8-1	Verriegelungsbolzen	D8-2	Bar
D8-3	Klemmblock	D8-4	Aussparung

## BETRIEB

### VOR DEM BETRIEB (Abb. E1)

### FESTSTELLBREMSE EINSTELLEN (Abb. E2)

E2-1	Bremse gelöst	E2-2	Bremsposition
------	---------------	------	---------------

**HINWEIS:** Drücken Sie niemals das Feststellbremspedal, um die Geschwindigkeit zu verlangsamen. Sobald das Feststellbremspedal ausreichend gedrückt ist, aber nicht die volle Parkstellung erreicht hat, hält der Rasenmäher an. Wenn dies aber an einem Hang geschieht, kann der Mäher den Hang hinunterrutschen.

### ANBRINGEN/ABNEHMEN DES AKKUS (Abb. E3 – E6)

Zum Starten des Mähers werden EGO-Akkus mit mindestens 15 Ah insgesamt (2 x BA4200T/BA4200T) oder mehr benötigt. Zum optimalen Mähen empfehlen wir EGO-Akkus mit insgesamt 30 Ah Kapazität oder mehr.

E3-1	Deckelentriegelung	E5-1	Akku-Entriegelungstaste
------	--------------------	------	-------------------------

### LADEN DES RASENMÄHERS

Verwenden Sie nur die empfohlenen Akkus und Ladegeräte.

- Laden Sie den/die Akkupack(s) separat auf (Abb. E7)

**HINWEIS:** Detaillierte Anweisungen finden Sie in den entsprechenden Handbüchern für Akkus und Ladegeräte.

- Laden Sie den/die Akkupack(s) über den Ladeanschluss auf (Abb. E8 – E10)

E10-1	Staubkappe	E10-2	Ladeanschluss
-------	------------	-------	---------------

### PRÜFEN DER SICHERHEITVERRIEGLUNG

- Zum Prüfen des Mähwerksystems (Abb. E11 – E12)
- Zum Prüfen des Antriebssystems (Abb. E13 – E14)

Wenn sich das Mähwerksystem und/oder das Fahrsystem beim Aufstehen vom Sitz nicht abschalten und sich die Ursache nicht feststellen lässt, nachdem der Steckkontakt am Sitz auf korrekte Verbindung überprüft wurde, wenden Sie sich direkt an den EGO Kundenservice.

## CHECKLISTE VOR DEM BETRIEB

- Vergewissern Sie sich, dass sich im Arbeitsbereich keine Kinder, Passanten und Haustiere befinden.
- Beseitigen Sie im Arbeitsbereich alle Gegenstände, die vom Mähwerk des Geräts hochgeschleudert werden können.
- Entfernen Sie die Schnittabfälle vom Rasenmäher.
- Prüfen Sie ihn auf lose Befestigungselemente.
- Stellen Sie sicher, dass alle Schutzvorrichtungen angebracht sind und ordnungsgemäß funktionieren.
- Prüfen Sie visuell, ob die Reifen aufgepumpt sind.
- Prüfen Sie die Funktion der Bremse.
- Stellen Sie die Deckhöhe auf die gewünschte Schnittposition ein, die am besten für den Rasen geeignet ist, und stellen Sie die Stützrollen entsprechend ein.
- Passen Sie die Sitzposition an und stellen Sie sicher, dass Sie beide Pedale erreichen können.
- Stellen Sie das Lenkrad bei Bedarf auf die gewünschte Position ein.
- Überprüfen Sie den Ladestand des Akkus.
- Prüfen Sie das Sicherheitsverriegelungssystem.

## STARTEN DES RASENMÄHERS (Abb. E15 – Abb. E16)

**⚠️ WARNUNG:** Vermeiden Sie plötzliche Starts, Stopps und Wendemanöver sowie überhöhte Geschwindigkeiten, besonders dann, wenn Sie den Umgang mit dem Mäher noch erlernen. Der Mäher kann sich rasch in Bewegung setzen, sodass Sie die Kontrolle verlieren. Dadurch besteht die Gefahr schwerer Verletzungen und/oder Sachschäden.

**⚠️ WARNUNG:** Vor dem Starten des Rasenmähers prüfen, ob die Messer innerhalb von 5 s gelöst sind, wenn der PTO-Schalter nach unten gedrückt wird. Wenn die Messer nicht anhalten, benutzen Sie den Mäher nicht und wenden Sie sich unverzüglich an den EGO-Kundenservice.

**HINWEIS:** Beachten Sie Abb. E17 und E18, um die niedrigste Fahrgeschwindigkeit und den STANDARD

Fahrmodus einzustellen, bis Sie in allen Situationen mit der Bedienung des Mähers vertraut sind.

Der Rasenmäher speichert und zeigt den vorherigen Fahrmodus, die Fahrgeschwindigkeit und die Kalibrierung des Lenkrads beim Neustart an.

### EINSTELLEN DES FAHRMODUS (Abb. E17)

- **KONTROLLIERT:** Geringere Beschleunigung, weniger empfindliches Handling und sachte Wendegeschwindigkeit zur Schonung des Rasens und für Einsteiger.
- **STANDARD:** Perfekte Einstellung für den täglichen Gebrauch.
- **SPORTLICH:** Stärkere Beschleunigung, präzises Handling und scharfe Wendemanöver für maximale Effizienz beim Mähen und für Mähbegeisterte.

**ANMERKUNG:** Der Fahrmodus kann während der Fahrt nicht verändert werden. Die Funktion wird nur aktiviert, wenn die Rasenmäherräder angehalten werden.

### Einstellen der Fahrgeschwindigkeit (Abb. E18)

**ANMERKUNG:** Wenn Sie sich im „TURBO“-Modus befinden, drücken Sie die Taste „—“; die Fahrgeschwindigkeit schaltet dann in den vorherigen Modus zurück.

### Messergeschwindigkeit einstellen (Abb. E19)

#### LED-Lampen

- Die Scheinwerfer, Seitenbeleuchtung und die Heckleuchten werden mit dem LED-Beleuchtungsschalter betätigt.
- Beim Fahren sind die Fahrscheinwerfer immer eingeschaltet.
- Wenn die Heckleuchten beim Zurücksetzen ausgeschaltet sind, blinken sie, um Passanten zu warnen. Wenn sie eingeschaltet sind, leuchten sie kontinuierlich.
- Alle Lichter schalten sich automatisch aus, wenn sich der Rasenmäher nach einer gewissen Zeit ohne Betrieb automatisch ausschaltet.

#### USB-Anschluss

**HINWEIS:** Der USB-Anschluss stellt eine Ladespannung

von 5 Volt DC sowie insgesamt 1,5 A Gesamtlast zur Verfügung und wird nur bei eingeschaltetem Mäher mit Spannung versorgt.

## ANHALTEN DES RASENMÄHERS (Abb. E20)

**HINWEIS:** Nach mehr als 60 Minuten ohne Betrieb schaltet sich der Mäher automatisch ab.

### Notbetrieb

Wenn die Akkuladung sehr niedrig ist, wechselt der Rasenmäher in den Notbetrieb-Modus, um für die Rückkehr zum Ladebereich genügend Strom zu sparen.

- Die Messer schalten auf eine niedrige Drehzahl um, sodass nur sehr wenig Gras geschnitten werden kann. Trifft der Rasenmäher auf hohes und dichtes Gras hören die Messer auf, sich zu drehen. Das akustische Signal ertönt in Abständen (Piepton).
- Die Rasenmäherstatusanzeige blinkt jede Sekunde rot und sowohl die Akkuwarnanzeige als auch die Akkugrafik auf der Tankanzeige blinken.

Gehen Sie folgenderweise vor:

- Drücken Sie den Zapfwellenschalter nach unten, um die Messerantriebe auszuschalten. Das akustische Signal schaltet sich aus, wenn die Messerantriebe anhalten.
- Stellen Sie die Arbeit ein und begeben Sie sich sobald wie möglich zum Ladebereich. Der Mäher kann maximal 1000 m zurücklegen.

Wenn das Akkupack nahezu entladen ist, blinken die Symbole der belegten Akkufächer und die Akkuwarnanzeige alle halbe Sekunde. Der Mäher schaltet sich sofort ab. Sie müssen den Rasenmäher zum Laden in den Ladebereich transportieren.

**HINWEIS:** Falls das Gerät von Hand angeschoben werden muss, müssen die Akkus vom Mäher getrennt und die Feststellbremse aus der Bremsposition ausgerückt sein.

## RASENMÄHER FAHREN (Abb. E21)

**⚠ VORSICHT:** Halten Sie mindestens zwei Mähstreifen Abstand zu Gräben, Bodenabtragungen oder Gewässer ein. Die Vorderräder können sich beim Anhalten des Mähers drehen, auch wenn die Bremse betätigt wird. Das kann dazu führen, dass der Mäher die Kante

überquert oder ins Wasser fährt. Dadurch besteht schwere bis tödliche Verletzungsgefahr.

**⚠ WARNUNG:** Achten Sie vor dem Zurücksetzen darauf, was sich hinter dem Mäher befindet. Nur Rückwärtsmähen, wenn dies absolut notwendig ist. Schauen Sie vor und beim Zurücksetzen immer nach unten und nach hinten, um sich zu vergewissern, dass keine Kinder, Passanten oder Haustiere den Mähbereich betreten. Denken Sie daran, dass ein Bruchteil einer Sekunde der Unachtsamkeit zu schweren oder gar tödlichen Verletzungen führen kann.

**⚠ WARNUNG:** Das Gerät darf nicht auf öffentlichen Verkehrswegen benutzt werden.

**⚠ WARNUNG:** Wenn etwas blockiert oder Sie auf einen Fremdkörper stoßen, halten Sie den Motor an und entfernen Sie die Akkus. Beseitigen Sie Rasenverschnitt, Blätter, Schmutz und sonstige Reste, die sich angehäuft haben. Überprüfen Sie den Mäher gründlich auf Beschädigungen und lassen Sie den Schaden reparieren, bevor Sie den Rasenmäher erneut starten und benutzen.

## TEMPOMAT (CCS) VERWENDEN

### CCS während der Fahrt aktivieren (Abb. E22)

**ANMERKUNG:** Die auf dem LC-Display angezeigte Fahrgeschwindigkeitsstufe gibt möglicherweise nicht genau die tatsächliche Fahrgeschwindigkeit des Rasenmähers im Tempomat-Modus wieder. Drücken Sie eine der Geschwindigkeitsanpassungstasten („←“ oder „→“), um die Fahrgeschwindigkeit auf dem LC-Display zu „aktualisieren“ und anzupassen.

**Um den CCS-Modus zu beenden und den Rasenmäher anzuhalten,** können Sie eine der vier Möglichkeiten wählen:

- Drücken Sie das Gaspedal leicht und lassen Sie es dann los.
- Ziehen Sie die linken/rechten Paddel in Ihre Richtung und lassen Sie sie los.
- Drücken Sie das Feststellbremspedal.
- Drücken Sie die CCS-Taste.

**ANMERKUNG:** Drücken Sie das Gaspedal bis zum Anschlag, um die aktuelle CCS-Fahrgeschwindigkeit zu

erreichen, und halten Sie es gedrückt. Die CCS-Funktion stoppt und der Rasenmäher fährt mit der aktuellen Geschwindigkeit weiter.

## WARTUNG

**⚠️ WARNUNG:** Tragen Sie immer eine Schutzbrille mit Seitenschutz. Andernfalls besteht schwere Verletzungsgefahr, wenn Gegenstände in Ihre Augen geschleudert werden.

**⚠️ WARNUNG:** Schützen Sie stets Ihre Hände, indem Sie Handschuhe tragen oder die Schneidkanten mit Lumpen oder anderen Materialien umwickeln, wenn Sie Wartungsarbeiten am Mähmesser durchführen. Entfernen Sie immer den Sicherheitsschlüssel und die Akkupacks, wenn Sie den Rasenmäher instandsetzen oder transportieren.

Wartungsintervalle	Wartungsanweisungen
Vor jedem Gebrauch oder täglich	<ul style="list-style-type: none"> <li>■ Prüfen Sie die Sicherheitsverriegelung.</li> <li>■ Prüfen Sie visuell, ob die Reifen aufgepumpt sind.</li> <li>■ Überprüfen Sie das Messer.</li> <li>■ Überprüfen Sie das gesamte Gerät auf beschädigte, fehlende oder lockere Teile, wie z. B. der Seitenauswurf, Schrauben, Muttern, Kappen usw. Alle Schutzvorrichtungen müssen montiert sein und korrekt funktionieren.</li> <li>■ Prüfen und stellen Sie sicher, dass das Gaspedal richtig gedrückt und gelöst werden kann.</li> <li>■ Prüfen Sie den Lenkraddämpfer. Das Lenkrad sollte mit einem gewissen Widerstand gedreht werden.</li> </ul>
Nach jedem Gebrauch	<ul style="list-style-type: none"> <li>■ Reinigen Sie das Mähwerk.</li> </ul>
Alle 25 Stunden	<ul style="list-style-type: none"> <li>■ Prüfen Sie den Reifendruck.</li> </ul>

Alle 100 Stunden	<ul style="list-style-type: none"> <li>■ Überprüfen Sie die Hinterräder. Alle Radmuttern müssen mit dem empfohlenen Anzugsmoment festgezogen sein.</li> </ul>
Alle 200 Stunden	<ul style="list-style-type: none"> <li>■ Kontrollieren Sie, ob sich die Vorderräder frei drehen können.</li> </ul>
Vor der Lagerung	<ul style="list-style-type: none"> <li>■ Nehmen Sie die Akkus aus dem Rasenmäher.</li> <li>■ Entfernen Sie den Sicherheitsschlüssel aus dem Rasenmäher.</li> <li>■ Führen Sie alle oben aufgeführten Wartungsarbeiten durch und reinigen Sie den Rasenmäher gründlich.</li> <li>■ Überprüfen Sie das gesamte Produkt auf beschädigte, fehlende oder gelockerte Teile, ersetzen oder ziehen Sie die entsprechenden Teile vor der Lagerung fest.</li> </ul>
Jährlich	<ul style="list-style-type: none"> <li>■ Überprüfen Sie das Feststellbremspedal. Nehmen Sie den Akku aus dem Rasenmäher und bewegen Sie das Feststellbremspedal in die Bremsposition. Schieben Sie den Rasenmäher vorwärts an, um festzustellen, ob sich der Mäher bewegen lässt oder nicht. Falls er sich bewegen lässt, lassen Sie ihn von einem ausgebildeten Kundendiensttechniker instandsetzen.</li> </ul>

DE

### ALLGEMEINE WARTUNG

**Reinigen des Gehäuses (Abb. F1 – F2)**

**Den Schlauchanschluss zum Reinigen des Mähdecks verwenden (Abb. F3 – F4)**



F2-1	Schlauchanschluss	F2-2	Schnellkupplung für Schlauchanschluss
F2-3	Gartenschlauch		

**HINWEIS:** Wenn Sie mit der Reinigung fertig sind, schalten Sie den Rasenmäher vollständig aus und entfernen Sie dann den Gartenschlauch und die Schnellkupplung.

## MÄHDECK UND MÄHMESSER WARTEN

### VORBEREITUNG (Abb. G1)

#### Entfernen des Mähdecks (Abb. G2 – G3)

G2-1	Motorkabel	G2-2	Federungsgestänge
G2-3	Splint		

**HINWEIS:** Trennen die Motorkabel und Splinte, wenn Sie das Mähwerk abnehmen.

#### Auswechseln der Schneidmesser (Abb. G4 - G6)

G4-1	Stabilisator	G5-1	Schraube
G5-2	Unterlegscheibe	G5-3	Sägeblatt
G5-4	Flansch	G5-5	Antriebswelle

#### Mähdeck nivellieren

- a. Wann muss nivelliert werden (Abb. G7 – G9)
- b. Vor dem Nivellieren
  - Kalten Reifendruck prüfen (Abb. G10)
  - Prüfen Sie die Messer. Abgenutzte, gerissene und/oder verzogene Messer müssen ggf. ausgetauscht werden.
- c. Vorbereitung zum Nivellieren (Abb. G11)
- d. Anweisung zum Nivellieren
  - Nivellieren von einer Seite zur anderen (Abb. G12)
  - Nivellieren von vorn nach hinten (Abb. G13)

## MÄHERSPUR KALIBRIEREN (Abb. H1 – H2)

**HINWEIS:** Der Summer gibt einen Warnton aus, wenn die Kalibrierung gestartet und beendet wird.

**ANMERKUNG:** Die für einen der Fahrmodi („KONTROLLIERT“, „STANDARD“, „SPORTLICH“) abgeschlossene Kalibrierung ist möglicherweise für die anderen beiden Modi nicht verfügbar. Kalibrieren Sie das Lenkrad in jedem Fahrmodus nach Bedarf separat.

## RASENMÄHER AUF LIEFERZUSTAND ZURÜCKSETZEN (Abb. I)

**HINWEIS:** Der gibt einen Warnton aus, wenn das Zurücksetzen gestartet und beendet wird.

**ANMERKUNG:** Wenn das Zurücksetzen erfolgreich war, werden die folgenden Einstellungen auf die ursprünglichen Werkseinstellungen zurückgesetzt:

- Fahrmodus
- Fahrgeschwindigkeit
- Kalibrierung des Lenkrads

## LAGERUNG UND TRANSPORT

### RASENMÄHER TRANSPORTIEREN (Abb. J1 – J5)

**HINWEIS:** Verzurren Sie den Rasenmäher nach Bedarf mit Riemen oder Gurten, um ein Wegrutschen während des Transports zu verhindern.

### LAGERUNG (Abb. K1 — K2)

**HINWEIS:** Entnehmen Sie die Akkupacks und bewahren Sie Akkus gemäß Bedienungsanleitung auf.

Reinigen und prüfen Sie den Rasenmäher vor dem Einlagern. Beachten Sie dazu die Kapitel „REINIGEN DES RASENMÄHERS“ und „EMPFOHLENE WARTUNGSINTERVALLE“.

### Schutz der Umwelt



WEEE-Altgeräteverordnung - Elektro-Altgeräte, verbrauchte Akkus und Ladegeräte dürfen nicht im Hausmüll entsorgt werden! Das Gerät muss einer offiziellen Recycling-Sammelstelle zur getrennten Entsorgung zugeführt werden. Elektrowerkzeuge müssen bei einem umweltfreundlichen Recycling-Betrieb abgegeben werden.




## STÖRUNGSBEHEBUNG

DE

PROBLEM	URSACHE	LÖSUNG
Der Aufsitzrasenmäher fährt nicht, wenn das Gaspedal gedrückt wird.	<ul style="list-style-type: none"> <li>Die Gesamtkapazität der Akkus entspricht nicht der Anforderung.</li> </ul>	<ul style="list-style-type: none"> <li>Um diesen Mäher zu starten, verwenden Sie genügend EGO-Akkus gemäß den Anweisungen im Abschnitt "<b>ANBRINGEN/ABNEHMEN DES AKKUS</b>" in dieser Anleitung.</li> </ul>
	<ul style="list-style-type: none"> <li>Das Feststell-Bremspedal steht in Bremsposition.</li> </ul>	<ul style="list-style-type: none"> <li>Drücken Sie das Feststell-Bremspedal bis zum Anschlag durch, um es aus der Bremsposition auszurücken.</li> </ul>
	<ul style="list-style-type: none"> <li>Sowohl das linke als auch das rechte Paddel werden nicht kurz in Richtung des Bedieners gezogen, damit die Rasenmäherstatusanzeige beim Starten des Mähers grün leuchtet.</li> </ul>	<ul style="list-style-type: none"> <li>Ziehen Sie SOWOHL das linke ALS AUCH das rechte Paddel gleichzeitig in Ihre Richtung und lassen Sie die Paddel dann los. Die Rasenmäherstatusanzeige leuchtet grün. Das bedeutet, dass der Mäher startbereit ist.</li> </ul>
	<ul style="list-style-type: none"> <li>Der Bediener ist nicht auf dem Sitz.</li> </ul>	<ul style="list-style-type: none"> <li>Der Bediener kann den Rasenmäher nur dann richtig bedienen, wenn er richtig im Sitz sitzt.</li> </ul>
	<ul style="list-style-type: none"> <li>Der Sitzschalter ist nicht richtig angeschlossen.</li> </ul>	<ul style="list-style-type: none"> <li>Nehmen Sie den Akku aus dem Rasenmäher und zerlegen Sie den Sitz in umgekehrter Reihenfolge wie im Abschnitt „<b>EINBAU DES SITZES</b>“ in dieser Anleitung beschrieben, um sicherzustellen, dass der Kabelstecker ordnungsgemäß an der Buchse an der Sitzunterseite angeschlossen ist. Montieren Sie den Sitz wieder und befolgen Sie die Anweisungen im Kapitel „<b>STARTEN DES RASENMÄHERS</b>“, um zu kontrollieren, ob er sich starten lässt. Falls nicht, veranlassen Sie eine Reparatur bei einem guten Kundendienst.</li> </ul>
	<ul style="list-style-type: none"> <li>Bei extrem kaltem Wetter lässt sich der Fahrbetrieb aufgrund des Tieftemperaturschutzes möglicherweise nicht starten</li> </ul>	<ul style="list-style-type: none"> <li>Bewahren Sie den Rasenmäher und den Akku immer in warmer Umgebung auf. Starten Sie den Rasenmäher, wenn er aufgewärmt ist. Unternehmen Sie bei extremer Kälte keine wiederholten Startversuche. Dadurch könnte das Gerät beschädigt werden.</li> </ul>
	<ul style="list-style-type: none"> <li>Der Laufweg des Gaspedals wird durch Schnittabfälle blockiert.</li> </ul>	<ul style="list-style-type: none"> <li>Überprüfen und entfernen Sie Schmutz und Schnittabfälle.</li> </ul>
	<ul style="list-style-type: none"> <li>Ausfall mechanischer oder elektronischer Komponenten des Gaspedals.</li> </ul>	<ul style="list-style-type: none"> <li>Wenden Sie sich zur Reparatur an einen qualifizierten Kundendiensttechniker.</li> </ul>

PROBLEM	URSACHE	LÖSUNG
Der Aufsitzrasenmäher hält an.	<ul style="list-style-type: none"> <li>Das linke/rechte Paddel erfordert einen „Reset“.</li> </ul>	<ul style="list-style-type: none"> <li>Ziehen Sie die linken/rechten Paddel in Ihre Richtung und lassen Sie sie los. Wenn die Statusanzeige grün leuchtet, ist der Mäher fahrbereit.</li> </ul>
	<ul style="list-style-type: none"> <li>Ausfall der elektronischen Komponenten des Gaspedals.</li> </ul>	<ul style="list-style-type: none"> <li>Wenden Sie sich zur Reparatur an einen qualifizierten Kundendiensttechniker.</li> </ul>
	<ul style="list-style-type: none"> <li>Die Sicherheitsverriegelung des Sitzes wurde während der Fahrt in unwegsamem Gelände getrennt.</li> </ul>	<ul style="list-style-type: none"> <li>Nehmen Sie den Akku aus dem Rasenmäher und zerlegen Sie den Sitz in umgekehrter Reihenfolge wie im Abschnitt „<b>EINBAU DES SITZES</b>“ in dieser Anleitung beschrieben, um sicherzustellen, dass der Kabelstecker ordnungsgemäß an der Buchse an der Sitzunterseite angeschlossen ist. Montieren Sie den Sitz wieder und befolgen Sie die Anweisungen im Kapitel „<b>STARTEN DES RASENMÄHERS</b>“, um zu kontrollieren, ob er sich starten lässt. Falls nicht, veranlassen Sie eine Reparatur bei einem guten Kundendienst.</li> </ul>
	<ul style="list-style-type: none"> <li>Das Gewicht des Bedieners ist nicht gleichmäßig auf dem Sitz verteilt. Das Gewicht des Bedieners auf dem Sitz muss mindestens 20 kg betragen, damit das Sicherheitsverriegelungssystem des Sitzes ordnungsgemäß funktioniert.</li> </ul>	<ul style="list-style-type: none"> <li>Setzen Sie sich richtig auf den Sitz, ziehen Sie das linke/rechte oder beide Paddel in Ihre Richtung und lassen Sie sie los; dann ist der Rasenmäher fahrbereit.</li> </ul>
		<ul style="list-style-type: none"> <li>Falls notwendig, trennen Sie den Akku und bringen Sie ihn wieder an.</li> </ul>
	<ul style="list-style-type: none"> <li>Das Feststellbremspedal wird gedrückt, um die Fahrgeschwindigkeit zu verlangsamen. Sobald das Feststellbremspedal ausreichend gedrückt ist, aber nicht in die Parkposition gebracht wird, stoppt der Rasenmäher.</li> </ul>	<ul style="list-style-type: none"> <li>Folgen Sie den Anweisungen unter „<b>STARTEN DES RASENMÄHERS</b>“, um den Rasenmäher neu zu starten.</li> </ul>
Der Fahrmodus kann während der Fahrt nicht verändert werden.	<ul style="list-style-type: none"> <li>Diese Funktion sorgt für einen sicheren Fahrbetrieb des Aufsitzrasenmähers.</li> </ul>	<ul style="list-style-type: none"> <li>Die Funktion wird nur aktiviert, wenn die Rasenmäherräder angehalten werden.</li> </ul>

PROBLEM	URSACHE	LÖSUNG
<p>Die Messer des Aufsitzrasenmähers laufen nicht an, wenn der Zapfwellenschalter betätigt wird.</p>  Das Zapfwellenschalter-Symbol blinkt	<ul style="list-style-type: none"> <li>Die Gesamtkapazität der Akkus entspricht nicht der Anforderung.</li> </ul>	<ul style="list-style-type: none"> <li>Um diesen Mäher zu starten, verwenden Sie genügend EGO-Akkus gemäß den Anweisungen im Abschnitt "<b>ANBRINGEN/ABNEHMEN DES AKKUS</b>" in dieser Anleitung.</li> </ul>
	<ul style="list-style-type: none"> <li>Der Zapfwellenschalter wurde nicht gedrückt, als der Rasenmäher das letzte Mal ausgeschaltet wurde.</li> </ul>	<ul style="list-style-type: none"> <li>Drücken Sie den Zapfwellenschalter nach unten und dann nach oben, um die Messerantriebe neu zu starten.</li> </ul>
	<ul style="list-style-type: none"> <li>Der Rasenmäher ist in dem Moment überlastet, in dem sich die Messer zu drehen beginnen, wodurch der Selbstschutz des Motors ausgelöst wird.</li> </ul>	<ul style="list-style-type: none"> <li>Beginnen Sie zunächst mit niedriger Messergeschwindigkeit zu mähen. Erhöhen Sie die Schnittgeschwindigkeit erst, wenn sich die Messer frei drehen.</li> </ul>
	<ul style="list-style-type: none"> <li>Bei extrem kaltem Wetter startet der Messerantrieb unter Umständen nicht aufgrund des Tieftemperaturschutzes.</li> </ul>	<ul style="list-style-type: none"> <li>Bewahren Sie den Rasenmäher und den Akku immer in warmer Umgebung auf. Starten Sie den Rasenmäher, wenn er aufgewärmt ist. Unternehmen Sie bei extremer Kälte keine wiederholten Startversuche. Dadurch könnte das Gerät beschädigt werden.</li> </ul>
	<ul style="list-style-type: none"> <li>Das Messer schlägt am verformten Mähdeck an.</li> </ul>	<ul style="list-style-type: none"> <li>Wenden Sie sich an einen EGO-Kundendienst.</li> </ul>
	<ul style="list-style-type: none"> <li>Der Rasenmäher fährt mit „TRAVEL“-Geschwindigkeit.</li> </ul>	<ul style="list-style-type: none"> <li>Wenn der Rasenmäher mit „TRAVEL“-Geschwindigkeit fährt, stoppen die Messerantriebe automatisch.</li> </ul>

PROBLEM	URSACHE	LÖSUNG
Während des Mähvorgangs halten die Messer an.	<ul style="list-style-type: none"> <li>Der Rasenmäher ist überlastet.</li> </ul>	<ul style="list-style-type: none"> <li>Stellen Sie die Schnitthöhe des Mähdecks höher ein oder verringern Sie die Fahrgeschwindigkeit, um die Belastung des Geräts zu verringern.</li> </ul>
	<ul style="list-style-type: none"> <li>Das Mähwerk wird durch Rasen und Ablagerungen blockiert.</li> </ul>	<ul style="list-style-type: none"> <li>Reinigen Sie das Mähwerk und stellen Sie sicher, dass sich die Messer frei drehen können.</li> </ul>
	<ul style="list-style-type: none"> <li>Der Rasenmäher ist überhitzt.</li> </ul>	<ul style="list-style-type: none"> <li>Verringern Sie die Gerätebelastung, indem Sie die Schnitthöhe des Mähdecks erhöhen oder die Messer-/Fahrgeschwindigkeit verringern und den Rasenmäher abkühlen lassen.</li> </ul>
	<ul style="list-style-type: none"> <li>Der/die Akkupacks im Akkufach des Rasenmähers sind überhitzt. Das führt dazu, dass die Gesamtkapazität aller eingesetzten Akkus nicht die Anforderungen erfüllt.</li> </ul>	<ol style="list-style-type: none"> <li>Der Rasenmäher kann weiter eingesetzt werden, wenn die Gesamtkapazität der Akkus die Anforderung erfüllt. Davon sind die überhitzten Akkuzellen ausgenommen. Wenn der überhitzte Akku wieder auf normale Temperatur abgekühlt hat, wird er sofort wieder an der Spannungsversorgung des Rasenmähers beteiligt.</li> </ol>
		<ol style="list-style-type: none"> <li>Wenn die Gesamtkapazität der Akkus nicht die Anforderungen erfüllt, startet der Rasenmäher erst, wenn weitere Akkupacks in die leeren Akkufächer eingesetzt werden.</li> </ol>
		<ol style="list-style-type: none"> <li>Verringern Sie die Belastung des Rasenmähers, indem Sie die Schnitthöhe des Mähdecks höher stellen oder langsamer mähen, wenn Sie den Betrieb wieder fortsetzen.</li> </ol>
	<ul style="list-style-type: none"> <li>Der Rasenmäher befindet sich im Notbetrieb.</li> </ul>	<ul style="list-style-type: none"> <li>Wenn sich der Rasenmäher im Notbetrieb befindet, werden die Messer automatisch auf eine niedrige Umdrehungszahl gedrosselt. Stellen Sie die Arbeit ein und fahren Sie sobald wie möglich zum Akkuladebereich.</li> </ul>
	<ul style="list-style-type: none"> <li>Der Rasenmäher wurde von einem Fremdkörper getroffen, sodass der Motorschutz ausgelöst hat.</li> </ul>	<ul style="list-style-type: none"> <li>Drücken Sie den Zapfwellenschalter nach unten und dann nach oben, um die Messerantriebe neu zu starten.</li> </ul>
<ul style="list-style-type: none"> <li>Die Mähgeschwindigkeit ist in den Modus „TRAVEL“ gestellt.</li> </ul>	<ul style="list-style-type: none"> <li>Wenn sich die Mähgeschwindigkeit im Modus „TRAVEL“ befindet, stoppen die Messerantriebe automatisch.</li> </ul>	

PROBLEM	URSACHE	LÖSUNG
Das akustische Signal schaltet sich nicht aus.	<ul style="list-style-type: none"> <li>Der Rasenmäher befindet sich im Notbetrieb und die Messer sind abgeschaltet.</li> </ul>	<ul style="list-style-type: none"> <li>Drücken Sie den Zapfwellenschalter nach unten, um die Messerantriebe auszuschalten. Das akustische Signal verstummt, wenn die Messerantriebe ausgeschaltet sind.</li> </ul>
	<ul style="list-style-type: none"> <li>Der Rasenmäher hält beim Befahren einer Böschung an und der Bediener steht von seinem Sitz auf, ohne das Feststellbremspedal in die Bremsposition zu bewegen.</li> </ul>	<ul style="list-style-type: none"> <li>Bringen Sie das Feststellbremspedal in Bremsposition, bevor Sie den Rasenmäher an der Böschung stehen lassen.</li> </ul>
Die Ladeanzeigen leuchten beim Ausschalten des Rasenmähers immer noch.	<ul style="list-style-type: none"> <li>Wenn der Rasenmäher auf ebenem Untergrund ausgeschaltet wird, ohne dass die Akkus entfernt werden, leuchten die Akkuleuchten, die Start/Stopp-Taste und die Einstelltaste eine Weile weiter.</li> </ul>	<ul style="list-style-type: none"> <li>Keine Maßnahmen erforderlich. Die Akkuleuchten schalten sich aus, wenn sich der Rasenmäher nach einer gewissen Zeit abschaltet. Siehe Abschnitt "<b>ANHALTEN DES RASENMÄHERS</b>" für eine bestimmte Zeit.</li> </ul>
	<ul style="list-style-type: none"> <li>Wenn der Rasenmäher an einer Böschung ausgeschaltet wird, ohne die Feststellbremse in Bremsposition zu bewegen, leuchtet die Akkuanzeige weiter, bis die Akkus entladen sind. Das akustische Signal ertönt zur gleichen Zeit.</li> </ul>	<ul style="list-style-type: none"> <li>Bringen Sie das Feststellbremspedal in Bremsposition, bevor Sie den Rasenmäher an der Böschung stehen lassen.</li> </ul>
Auf dem LC-Display leuchten nicht alle Symbole auf.	<ul style="list-style-type: none"> <li>Die Start/Stopp-Taste wurde ausreichend lange gedrückt.</li> </ul>	<ul style="list-style-type: none"> <li>Im LC-Display wird bei kurzer Betätigung der Start/Stopp-Taste die Meldung „Fuel Gauge“ (Kraftstoffanzeige) angezeigt.</li> <li>Nachdem die Start/Stopp-Taste ausreichend lange gedrückt wurde, schaltet sich das LC-Display ein.</li> </ul>
Der Rasenmäher mäht durch den beträchtlichen Höhenunterschied zwischen vorn und hinten ungleichmäßig.	<ul style="list-style-type: none"> <li>Die Messer sind stumpf.</li> </ul>	<ul style="list-style-type: none"> <li>Schleifen oder ersetzen Sie das Messer wie in diesem Handbuch erläutert.</li> </ul>
	<ul style="list-style-type: none"> <li>Die Messer sind verbogen.</li> </ul>	<ul style="list-style-type: none"> <li>Zum Austauschen eines verbogenen Messers befolgen Sie die Anweisungen im Kapitel „<b>MESSER AUSWECHSELN</b>“.</li> </ul>
	<ul style="list-style-type: none"> <li>Das Mähdeck ist nicht nivelliert, sodass die Höhe der Mähmesser unterschiedlich ist.</li> </ul>	<ul style="list-style-type: none"> <li>Zum Justieren des Mähdecks befolgen Sie die Anweisungen im Kapitel „<b>MÄHDECK NIVELLIEREN</b>“.</li> </ul>

PROBLEM	URSACHE	LÖSUNG
Die tatsächliche Schnitthöhe stimmt nicht mit der angegebenen Höhe überein.	<ul style="list-style-type: none"> <li>Am Federungsgestänge haben sich die Befestigungsmuttern des Mähdecks gelöst</li> </ul>	<ul style="list-style-type: none"> <li>Um den Höhenunterschied des Mähdecks zwischen vorn und hinten korrekt einzustellen, befolgen Sie die Anweisungen im Abschnitt „<b>MÄHDECK NIVELLIEREN</b>“ und ziehen Sie die Muttern am Federungsgestänge fest.</li> </ul>
	<ul style="list-style-type: none"> <li>Das Mähdeck ist defekt oder stark verschlissen.</li> </ul>	<ul style="list-style-type: none"> <li>Zum Auswechseln des Mähdecks befolgen Sie die Anweisungen im Kapitel „<b>MÄHDECK ABMONTIEREN</b>“.</li> </ul>
Der Rasenmäher mulcht nicht richtig.	<ul style="list-style-type: none"> <li>An der Unterseite des Mähwerks haftet feuchtes Schnittgut.</li> </ul>	<ul style="list-style-type: none"> <li>Warten Sie mit dem Mähen, bis der Rasen trocken ist.</li> </ul>
	<ul style="list-style-type: none"> <li>Der Rasenmäher ist so eingestellt, dass er eine zu große Menge Gras auf einmal mäht.</li> </ul>	<ul style="list-style-type: none"> <li>Stellen Sie am Mähwerk eine größere Schnitthöhe ein.</li> </ul>
Sehr starke Vibrationen	<ul style="list-style-type: none"> <li>Die Messer wackeln.</li> </ul>	<ul style="list-style-type: none"> <li>Ziehen Sie die Befestigungsschraube für das Messer mit dem empfohlenen Drehmoment fest.</li> </ul>
	<ul style="list-style-type: none"> <li>Die Messer sind verbogen.</li> </ul>	<ul style="list-style-type: none"> <li>Zum Austauschen eines verbogenen Messers befolgen Sie die Anweisungen im Kapitel „<b>MESSER AUSWECHSELN</b>“.</li> </ul>
	<ul style="list-style-type: none"> <li>Das Mähdeck ist nicht nivelliert.</li> </ul>	<ul style="list-style-type: none"> <li>Zum Justieren des Mähdecks befolgen Sie die Anweisungen im Kapitel „<b>MÄHDECK NIVELLIEREN</b>“.</li> </ul>
	<ul style="list-style-type: none"> <li>Die Befestigungsmuttern des Mähdecks haben sich am Federungsgestänge gelöst.</li> </ul>	<ul style="list-style-type: none"> <li>Ziehen Sie die Muttern am Federungsgestänge fest.</li> </ul>
	<ul style="list-style-type: none"> <li>Der Rasenmäher ist so eingestellt, dass er zu viel Rasen abmäht.</li> </ul>	<ul style="list-style-type: none"> <li>Stellen Sie am Mähwerk eine größere Schnitthöhe ein.</li> </ul>



PROBLEM	URSACHE	LÖSUNG
Nach dem Mähen liegen noch Rasen- oder Schnittreste auf dem Boden.	<ul style="list-style-type: none"> <li>Der Rasenmäher ist so eingestellt, dass er zu viel auf einmal abmäht, wenn der Rasen hoch gewachsen ist.</li> </ul>	<ul style="list-style-type: none"> <li>Fangen Sie mit einer hohen Schnitthöhe an und verringern Sie sie, bis das gewünschte Mähergebnis erreicht ist. Ein mehr als 152 mm hoher Rasen sollte zweimal gemäht werden. Dabei muss die Schnitthöhe bei jedem Mal verringert werden.</li> </ul>
	<ul style="list-style-type: none"> <li>Der Rasen ist nass.</li> </ul>	<ul style="list-style-type: none"> <li>Wenn der Rasen nass ist, nicht mähen, sondern warten, bis er trocken ist.</li> </ul>
	<ul style="list-style-type: none"> <li>Die Fahrgeschwindigkeit ist hoch.</li> </ul>	<ul style="list-style-type: none"> <li>Fahren Sie langsamer.</li> </ul>
	<ul style="list-style-type: none"> <li>Die Messergeschwindigkeit ist zu niedrig.</li> </ul>	<ul style="list-style-type: none"> <li>Erhöhen Sie die Messergeschwindigkeit allmählich.</li> </ul>
Kurze Mähdauer bei eingesetztem Akku.	<ul style="list-style-type: none"> <li>Rasengelände, Grasbedingungen, Einstellung der Schnitthöhe, Fahrgeschwindigkeit, Messergeschwindigkeit usw. wirken sich stark auf die Betriebszeit aus.</li> </ul>	<ul style="list-style-type: none"> <li>Vergrößern Sie die Schnitthöhe am Mähdeck und verringern Sie die Messergeschwindigkeit, um die Belastung beim Mähen zu drosseln.</li> </ul>
Der Rasenmäher bleibt nicht in der Spur.	<ul style="list-style-type: none"> <li>Die Reifendrucke der linken und rechten Hinterräder sind unterschiedlich.</li> </ul>	<ul style="list-style-type: none"> <li>Überprüfen und passen Sie den Luftdruck in beiden Hinterradreifen gemäß Abschnitt „<b>TECHNISCHE DATEN</b>“ an.</li> </ul>
	<ul style="list-style-type: none"> <li>Die Antriebsgeschwindigkeit der linken und rechten Hinterräder sind unterschiedlich.</li> </ul>	<ul style="list-style-type: none"> <li>Kalibrieren Sie das Lenkrad des Rasenmähers entsprechend den Anweisungen im Kapitel „<b>MÄHERSPUR KALIBRIEREN</b>“.</li> </ul>
Das Feststellbremspedal lässt sich nicht aus der Bremsstellung lösen oder federt nur sehr langsam zurück.	<ul style="list-style-type: none"> <li>In das Feststellbremspedal ist eventuell Staub oder Schmutz eingedrungen.</li> </ul>	<ul style="list-style-type: none"> <li>Öffnen Sie das Gehäuse des Feststellbremspedals, um es von innen gründlich zu reinigen. Schließen Sie es danach. Betätigen Sie das Feststellbremspedal und lassen Sie es los, um festzustellen, ob das Problem damit beseitigt ist. Falls nicht, veranlassen Sie eine Reparatur bei einem guten Kundendienst.</li> </ul>

PROBLEM	URSACHE	LÖSUNG
Wenn die Rasenmäherstatusanzeige rot leuchtet, lässt sich der Rasenmäher nicht über den Ladeanschluss aufladen.	<ul style="list-style-type: none"> <li>Der Stecker des Ladegeräts wurde nicht korrekt in den Ladeanschluss des Rasenmähers eingeführt.</li> </ul>	<ul style="list-style-type: none"> <li>Schließen Sie den Ladestecker erneut an, um festzustellen, ob sich der Rasenmäher normal aufladen lässt.</li> </ul>
	<ul style="list-style-type: none"> <li>Die Steckdose führt keinen Strom.</li> </ul>	<ul style="list-style-type: none"> <li>Keine Maßnahmen erforderlich. Warten Sie, bis wieder Strom fließt.</li> </ul>
	<ul style="list-style-type: none"> <li>Störung des Ladegeräts.</li> </ul>	<ul style="list-style-type: none"> <li>Wenden Sie sich an den EGO-Kundendienst, um das Ladegerät überprüfen und ggf. reparieren zu lassen.</li> </ul>
	<ul style="list-style-type: none"> <li>Der Ladeanschluss am Rasenmäher ist defekt.</li> </ul>	<ul style="list-style-type: none"> <li>Wenden Sie sich an einen EGO-Kundendienst.</li> </ul>
Die Ladedauer über den Ladeanschluss am Rasenmäher ist zu lang.	<ul style="list-style-type: none"> <li>Das Aufladen mit dem EGO Netzteil ACA1000 dauert sehr lange.</li> </ul>	<ul style="list-style-type: none"> <li>Verwenden Sie zum direkten Aufladen des Aufsitzrasenmähers das EGO Ladegerät CHV1600E.</li> </ul>
Der Akku lässt sich über den Ladeanschluss des Rasenmähers nicht vollständig aufladen.	<ul style="list-style-type: none"> <li>Firmwarefehler des Mähers, des Akkus oder des Ladegeräts.</li> </ul>	<ul style="list-style-type: none"> <li>Setzen Sie das Ladegerät zurück, indem Sie den Stecker des Ladegeräts ziehen und mindestens einige Minuten warten. Schließen Sie das Ladegerät danach wieder an. Wenn das Problem dadurch nicht behoben wird, rufen Sie den EGO-Kundendienst an.</li> </ul>
Der Rasenmäher startet nach dem Reinigen nicht.	<ul style="list-style-type: none"> <li>Unsachgemäße Reinigung, z. B. Wasser, das auf elektrische Bauteile, wie z. B. das LC-Display usw. gelangt ist.</li> </ul>	<ul style="list-style-type: none"> <li>Folgen Sie den Anweisungen im Abschnitt <b>„ALLGEMEINE WARTUNG“</b>, um den Rasenmäher ordnungsgemäß zu reinigen.</li> </ul>
		<ul style="list-style-type: none"> <li>Falls der Rasenmäher versehentlich im Regen nass geworden ist, lassen Sie ihn an der Luft trocknen oder blasen Sie ihn mit Druckluft trocken.</li> </ul>
Das Mähdeck verstopft schnell.	<ul style="list-style-type: none"> <li>Das Mähdeck wurde nach dem letzten Gebrauch nicht richtig gereinigt.</li> </ul>	<ul style="list-style-type: none"> <li>Reinigen Sie das Mähdeck nach jedem Gebrauch. Folgen Sie dazu den Anleitungen im Abschnitt <b>„DEN SCHLAUCHANSCHLUSS ZUM REINIGEN DES MÄHDECKS VERWENDEN“</b>.</li> </ul>
Der Rasenmäher gerät beim Hochfahren einer Böschung leicht aus der Spur.	<ul style="list-style-type: none"> <li>Die Reifen der Hinterräder sind abgenutzt.</li> </ul>	<ul style="list-style-type: none"> <li>Lassen Sie die Bereifung bei einem Kundendienst vor Ort wechseln.</li> </ul>
	<ul style="list-style-type: none"> <li>Mähen an einer steilen Böschung.</li> </ul>	<ul style="list-style-type: none"> <li>Der Rasenmäher sollte nicht zum Mähen von Böschungen verwendet werden, die steiler als der vorgegebene Steigungsgrad sind.</li> </ul>

PROBLEM	URSACHE	LÖSUNG
Wenn der Rasenmäher an einer Böschung mit betätigtem Feststellbremspedal gebremst wird, kann der Rasenmäher die Böschung herunterrollen.	<ul style="list-style-type: none"> <li>▪ Durch einen ungeeigneten Einsatz des Rasenmähers sind die Bremssteile extrem abgenutzt.</li> </ul>	<ul style="list-style-type: none"> <li>▪ Wenden Sie sich zwecks Reparatur an einen EGO-Kundendienst.</li> </ul>
Aus dem Schlauchanschluss kommt kein Wasser zum Reinigen des Mähdecks.	<ul style="list-style-type: none"> <li>▪ Die Schnellkupplung ist nicht ordnungsgemäß mit dem Schlauchanschluss verbunden.</li> </ul>	<ul style="list-style-type: none"> <li>▪ Schieben Sie die Schnellkupplung fest auf den Schlauchanschluss, bis sie hörbar einrastet. Wenn dies nicht funktioniert, rufen Sie den EGO-Kundendienst an.</li> </ul>
Ein ungewöhnliches Geräusch ist zu hören, wenn der Rasenmäher manuell geschoben wird, ohne gestartet zu werden.	<ul style="list-style-type: none"> <li>▪ Das Geräusch kommt von den Magneten im Antriebsmotor.</li> </ul>	<ul style="list-style-type: none"> <li>▪ Das ist normal und es muss nichts unternommen werden.</li> </ul>
Das Lenkrad kann nicht gedreht werden.	<ul style="list-style-type: none"> <li>▪ Die Lenkradeinheit ist durch Schnittabfälle und Schmutz verstopft.</li> </ul>	<ul style="list-style-type: none"> <li>▪ Überprüfen und entfernen Sie Schmutz und Schnittabfälle.</li> </ul>
Der Rasenmäher dreht sich nicht nach links/rechts, wenn das Lenkrad gedreht wird.	<ul style="list-style-type: none"> <li>▪ Ausfall von elektronischen oder mechanischen Komponenten.</li> </ul>	<ul style="list-style-type: none"> <li>▪ Wenden Sie sich zwecks Reparatur an einen EGO-Kundendienst.</li> </ul>
Der Rasenmäher stoppt nicht, wenn das Gaspedal losgelassen wird.	<ul style="list-style-type: none"> <li>▪ Der Rückweg des Gaspedals wird durch Schnittabfälle blockiert.</li> </ul>	<ul style="list-style-type: none"> <li>▪ Überprüfen und entfernen Sie Schmutz und Schnittabfälle.</li> </ul>
	<ul style="list-style-type: none"> <li>▪ Die CCS-Taste wurde während der Fahrt unbeabsichtigt gedrückt. Der Mäher befindet sich im Tempomat-Modus</li> </ul>	<ul style="list-style-type: none"> <li>▪ Überprüfen Sie, ob das CCS-Symbol auf dem LC-Display leuchtet, und beenden Sie den CCS-Modus gegebenenfalls. Siehe Abschnitt „<b>TEMPOMAT (CCS) VERWENDEN</b>“</li> </ul>
Die CCS-Funktion kann nicht aktiviert oder ausgeschaltet werden.	<ul style="list-style-type: none"> <li>▪ Die CCS-Taste wurde nicht richtig gedrückt.</li> </ul>	<ul style="list-style-type: none"> <li>▪ Drücken Sie die CCS-Taste, bis das CCS-Symbol auf dem LC-Display leuchtet oder nicht mehr auf dem LC-Display erscheint.</li> </ul>

PROBLEM	URSACHE	LÖSUNG
Der Rasenmäher fährt nicht rückwärts, wenn das linke/rechte Paddel in Richtung des Bedieners gezogen werden.	<ul style="list-style-type: none"> <li>Die Rasenmäherstatusanzeige ist nicht grün und der Rasenmäher ist nicht fahrbereit.</li> </ul>	<ul style="list-style-type: none"> <li>Folgen Sie den Anleitungen in Abschnitt „STARTEN DES RASENMÄHERS“, damit die Rasenmäherstatusanzeige grün leuchtet und der Mäher betriebsbereit ist.</li> </ul>
	<ul style="list-style-type: none"> <li>Die linken/rechten Paddel sind nicht richtig in Richtung des Bedieners gezogen worden.</li> </ul>	<ul style="list-style-type: none"> <li>Ziehen Sie das linke Paddel oder das rechte Paddel oder beide Paddel gleichzeitig in Ihre Richtung, bis ein „Klick“-Geräusch zu hören ist.</li> </ul>
	<ul style="list-style-type: none"> <li>Die linken/rechten Paddel werden nicht in Richtung des Bedieners gezogen und gehalten.</li> </ul>	<ul style="list-style-type: none"> <li>Um rückwärtszufahren, muss mindestens eines der Paddel in Ihre Richtung gezogen gehalten werden.</li> </ul>
	<ul style="list-style-type: none"> <li>Das links/rechte Paddel ist defekt.</li> </ul>	<ul style="list-style-type: none"> <li>Wenden Sie sich zur Reparatur an einen qualifizierten Kundendiensttechniker.</li> </ul>

## LISTE MIT STATUS- UND FEHLERCODES

**DE**

Anzeige im LCD	Beschreibung	Fehlercode im LCD	Rasenmäherstatusanzeige	Summer	Ursache	Lösung
	Das LED-Leuchten-Symbol wird auf dem LC-Display angezeigt.	nicht zutreffend	AUS	Nein	Die Scheinwerfer, Seitenbeleuchtung und die Heckleuchten werden vom LED-Beleuchtungsschalter eingeschaltet.	Dies ist ein normaler Vorgang. Keine Maßnahmen erforderlich.
	Das USB-Symbol wird auf dem LC-Display angezeigt.	nicht zutreffend	AUS	Nein	Das Symbol USB leuchtet, um darauf hinzuweisen, dass ein USB-Gerät nach dem korrekten Starten des Rasenmähers benutzt werden kann.	Dies ist ein normaler Vorgang. Keine Maßnahmen erforderlich.
	Kraftstoffanzeige-Symbol wird auf dem LC-Display angezeigt.	nicht zutreffend	AUS	Nein	Gibt die durchschnittliche Ladekapazität der eingesetzten Akkus an	Dies ist ein normaler Vorgang. Keine Maßnahmen erforderlich.
	Das Betriebsstundenzähler-Symbol wird auf dem LC-Display angezeigt.	nicht zutreffend	AUS	Nein	Zeigt die Fahrdauer des Rasenmähers insgesamt in Stunden an; kann nicht zurückgesetzt werden.	Dies ist ein normaler Vorgang. Keine Maßnahmen erforderlich.
	Das Lastanzeige-Symbol wird im ECO-Bereich angezeigt.	nicht zutreffend	AUS	Nein	Gibt die aktuelle Last des Rasenmähers an.	Dies ist ein normaler Vorgang. Keine Maßnahmen erforderlich.
	Das Rückwärts-Symbol wird auf dem LC-Display angezeigt.	nicht zutreffend	AUS	Nein	Zeigt an, dass der Rasenmäher rückwärtsfährt.	Dies ist ein normaler Vorgang. Keine Maßnahmen erforderlich.
	Das Sicherheitsschloss-Symbol blinkt.	nicht zutreffend	AUS	Nein	Der Sicherheitsschlüssel steckt nicht.	Stecken Sie den Sicherheitsschlüssel in das Schloss und halten Sie dann die START/STOPP-Taste gedrückt, um den Rasenmäher einzuschalten.
					Tastenbedienfeld-Einheit ist defekt.	Lassen Sie Reparaturen durch einen qualifizierten Kundendiensttechniker ausführen.





Anzeige im LCD	Beschreibung	Fehlercode im LCD	Rasenmäherstatusanzeige	Summer	Ursache	Lösung
  	Das Symbol eines bestimmten Akkufachs blinkt.	nicht zutreffend	AUS	Nein	Ein bestimmter Akku führt während des Entladens Überstrom.	Keine Maßnahmen erforderlich. Der Rasenmäher kann weiter eingesetzt werden, wenn die Gesamtkapazität der Akkus die Anforderung erfüllt. Davon sind die Akkus, die Überstrom führen, ausgenommen. Sobald sich der Akku mit Überstrom wieder normalisiert, wird der Rasenmäher sofort mit Strom versorgt und das Symbol verschwindet.
  	Das Symbol für das leere Akkufach blinkt.	nicht zutreffend	AUS	Nein	Die Akku-Kapazität reicht für den Betrieb des Rasenmähers nicht aus.	Um diesen Mäher zu starten, verwenden Sie genügend EGO-Akkus gemäß den Anweisungen im Abschnitt " <b>ANBRINGEN/ABNEHMEN DES AKKUS</b> " in dieser Anleitung.
	Die Überlast-Anzeige blinkt.	nicht zutreffend	Rotes Blinklicht	Ein Ton	Der Messerantrieb ist überlastet.	Stellen Sie die Schnitthöhe des Mähdecks höher ein oder verringern Sie die Fahrgeschwindigkeit, um die Belastung des Rasenmähers zu verringern.
					Der Seitenauswurf ist mit Gras und Schmutz verstopft.	Reinigen Sie den Seitenauswurf nach jedem Gebrauch.
					Zwischen dem Messer und dem Mähdeck ist eine Störung aufgetreten.	Wenden Sie sich an einen EGO-Kundendienst.



Anzeige im LCD	Beschreibung	Fehlercode im LCD	Rasenmäherstatusanzeige	Summer	Ursache	Lösung
	Das Temperatur-Symbol blinkt.	nicht zutreffend	AUS	Ein Ton	Der Rasenmäher ist überhitzt.	Verringern Sie die Gerätebelastung, indem Sie die Schnitthöhe des Mähdecks erhöhen oder die Messer-/Fahrgeschwindigkeit verringern. Machen Sie eine Pause und lassen Sie den Rasenmäher abkühlen.
					Der Rasenmäher ist zu kalt.	Bitte versuchen Sie es nicht weiter, da die Maschine sonst beschädigt werden könnte. Bewahren Sie den Rasenmäher und die Akkus immer in warmer Umgebung auf. Starten Sie den Rasenmäher, wenn er aufgewärmt ist.
	Das Temperatur-Symbol und das Symbol des jeweiligen besetzten Akkufachs blinken gleichzeitig.	nicht zutreffend	AUS	Nein	Der Akkusatz in dem entsprechend nummerierten Akkufach ist überhitzt.	1. Der Rasenmäher kann weiter eingesetzt werden, wenn die Gesamtkapazität der Akkus die Anforderung erfüllt. Davon sind die überhitzten Akkuzellen ausgenommen. Wenn der überhitzte Akku wieder auf normale Temperatur abgekühlt hat, wird er sofort wieder an der Spannungsversorgung des Rasenmähers beteiligt.
						2. Wenn die Gesamtkapazität der Akkus nicht ausreicht, startet der Rasenmäher erst, wenn weitere Akkupacks in die leeren Akkufächer eingesetzt werden.
						3. Verringern Sie die Belastung des Rasenmähers, indem Sie die Schnitthöhe des Mähdecks höher stellen oder langsamer mähen, wenn Sie den Betrieb wieder fortsetzen.

Anzeige im LCD	Beschreibung	Fehlercode im LCD	Rasenmäh- erstatusan- zeige	Summer	Ursache	Lösung
	Die Symbole für jedes besetzte Akkufach, die Akkuwarnanzeige und die Kraftstoffanzeige blinken pro Sekunde einmal gleichzeitig auf dem LC-Display. Die erste LED-Kraftstoffanzeige und die Rasenmähersstatusanzeige blinken ebenfalls.	nicht zutreffend	Rotes Blinklicht	Dauerton bis Zapfwellenschalter nach unten bewegt wird.	Die Akkupacks sind nur noch schwach geladen und der Rasenmäher ist im Notbetrieb.	Stellen Sie die Arbeit ein und kehren Sie zum Akkuladebereich zurück. <b>ANMERKUNG:</b> Wenn sich der Rasenmäher im Notbetrieb befindet, werden die Messer automatisch auf niedrige Umlaufgeschwindigkeit umgeschaltet. Gleichzeitig ertönt das akustische Signal dauerhaft. Der Bediener muss den Zapfwellenschalter nach unten drücken, um die Messerantriebe auszuschalten. Nach dem Anhalten der Messer schaltet sich das akustische Signal aus.
	Das Symbol jedes besetzten Akkufachs und die Akkuwarnanzeige blinken alle halbe Sekunde, die erste LED-Kraftstoffanzeige blinkt ebenfalls alle halbe Sekunde rot.	nicht zutreffend	Rotes Blinklicht	Ton wird weiter ausgegeben	Die Akkupacks sind fast leer.	Der Mäher schaltet sich sofort ab. Der Bediener sollte den Mäher zum Aufladen in den Akkuladebereich bringen.
	Das Parkautomatik-Symbol blinkt auf dem LCD.	nicht zutreffend	AUS	Ton wird weiter ausgegeben	Der Rasenmäher ist auf einer Böschung geparkt und der Bediener verlässt den Rasenmäher, ohne das Feststellbremspedal in die Bremsposition zu stellen.	Stellen Sie das Bremspedal auf Bremsposition. Das Parkautomatik-Symbol erlischt und das akustische Signal wird abgeschaltet.
	Bremspedal-Symbol wird auf dem LCD angezeigt	nicht zutreffend	AUS	Nein	Das Feststellbremspedal steht in Bremsposition.	Lassen Sie es los, bevor Sie den Rasenmäher starten.

**ANMERKUNG:** Wenn auf dem LC-Display ein Fehlercode angezeigt wird, entfernen Sie alle Akkus und setzen Sie sie einige Minuten später wieder ein. Wenn das Problem dadurch nicht behoben wird, führen Sie die unten stehende Fehlercode-Fehlersuche durch.

Anzeige im LCD	Beschreibung	Fehlercode im LCD	Rasenmäherstatusanzeige	Summer	Ursache	Lösung
	Das Sitzsensor-Symbol wird auf dem LCD angezeigt	nicht zutreffend	AUS	Nein	Der Bediener verlässt den Sitz oder die Sicherheitsverriegelung des Sitzes ist getrennt.	Wenn Sie auf dem Sitz sitzen und das Symbol leuchtet, halten Sie den Rasenmäher sofort an und überprüfen Sie den Sitzkontakt. Wenn der Sitzkontakt des Rasenmähers intakt ist, lassen Sie das Gerät von einem qualifizierten Kundendienst reparieren.
	Das Zapfwellenschalter-Symbol blinkt	nicht zutreffend	AUS	Nein	Der Messerantrieb wurde während des Betriebs unterbrochen und der Zapfwellenschalter steht nicht auf Ausschaltposition.	Drücken Sie vor dem Neustart des Rasenmähers den Zapfwellenschalter nach unten, um die Messerantriebe auszuschalten. Lesen Sie zum Nachschlagen die Hinweise im Kapitel „ <b>STÖRUNGSBEHEBUNG</b> “.
	Das Energierückgewinnungs-Symbol blinkt gelegentlich	nicht zutreffend	AUS	Nein	Die kinetische Energie, die beim Bremsen oder Fahren bergab freigesetzt wird, wird in elektrische Energie umgewandelt und zum Laden der Akkupacks genutzt.	Dies ist ein normaler Vorgang. Keine Maßnahmen erforderlich.
	Das CCS-Symbol blinkt.	nicht zutreffend	AUS	Nein	Die CCS-Funktion (Tempomat) funktioniert nicht.	Die CCS-Funktion kann nicht eingestellt werden, wenn der Mäher mit sehr niedriger Geschwindigkeit fährt oder rückwärtsfährt.

**DE**

Anzeige im LCD	Beschreibung	Fehlercode im LCD	Rasenmäherstatusanzeige	Summer	Ursache	Lösung	
Siehe „Fehlercode“	Linker Antriebsmotor dreht sich nicht.	Elektronisch gesteuerter linker Antrieb funktioniert nicht.	413	AUS	Ein Ton	Steuerelektronik funktioniert nicht	Lassen Sie Reparaturen durch einen qualifizierten Kundendiensttechniker ausführen.
		Steckverbinder (Dreiphasen-Stromzuleitung) zum Verbinden des linken Antriebsmotors mit der entsprechenden Platine hat sich gelöst.	317	AUS	Ein Ton	Wackelkontakt	
		Steckverbinder (sechspolige Signalleitung) zum Verbinden des linken Antriebsmotors mit der entsprechenden Platine hat sich gelöst.	301	AUS	Ein Ton	Wackelkontakt	
		Linker Antriebsmotor funktioniert nicht.	317	AUS	Ein Ton	Motorstörung	

Anzeige im LCD	Beschreibung	Fehlercode im LCD	Rasenmäherstatusanzeige	Summer	Ursache	Lösung	
Siehe „Fehlercode“	Rechter Antriebsmotor dreht sich nicht.	Elektronisch gesteuerter rechter Antrieb funktioniert nicht.	313	AUS	Ein Ton	Steuerelektronik funktioniert nicht	Lassen Sie Reparaturen durch einen qualifizierten Kundendiensttechniker ausführen.
		Steckverbinder (Dreiphasen-Stromzuleitung) zum Verbinden des rechten Antriebsmotors mit der entsprechenden Platine hat sich gelöst.	417	AUS	Ein Ton	Wackelkontakt	
		Steckverbinder (sechspolige Signalleitung) zum Verbinden des rechten Antriebsmotors mit der entsprechenden Platine hat sich gelöst.	401	AUS	Ein Ton	Wackelkontakt	
		Rechter Antriebsmotor funktioniert nicht.	417	AUS	Ein Ton	Motorstörung	
Siehe „Fehlercode“	Linker Messerantrieb dreht sich nicht.	Elektronisch gesteuerter linker Messerantrieb funktioniert nicht.	607	nicht zutreffend	Ein Ton	Steuerelektronik funktioniert nicht	Lassen Sie Reparaturen durch einen qualifizierten Kundendiensttechniker ausführen.
		Steckverbinder (Dreiphasen-Stromzuleitung) zum Verbinden des linken Messerantriebs mit der entsprechenden Platine hat sich gelöst.	509	nicht zutreffend	Ein Ton	Wackelkontakt	Überprüfen Sie zuerst das Messer. Wenn sie sich gelöst hat, ziehen Sie die Schraube mit dem empfohlenen Drehmoment an. Lassen Sie ansonsten Reparaturen durch einen qualifizierten Kundendiensttechniker ausführen.
		Linker Messerantrieb funktioniert nicht.	509	nicht zutreffend	Ein Ton	Motorstörung	

Anzeige im LCD	Beschreibung		Fehlercode im LCD	Rasenmäherstatusanzeige	Summer	Ursache	Lösung
Siehe „Fehlercode“	Rechter Messerantrieb dreht sich nicht.	Elektronisch gesteuerter rechter Messerantrieb funktioniert nicht.	507	nicht zutreffend	Ein Ton	Steuerelektronik funktioniert nicht	Lassen Sie Reparaturen durch einen qualifizierten Kundendiensttechniker ausführen.
		Steckverbinder (Dreiphasen-Stromzuleitung) zum Verbinden des rechten Messerantriebs mit der entsprechenden Platine hat sich gelöst.	609	nicht zutreffend	Ein Ton	Wackelkontakt	Überprüfen Sie zuerst das Messer. Wenn sie sich gelöst hat, ziehen Sie die Schraube mit dem empfohlenen Drehmoment an. Lassen Sie ansonsten Reparaturen durch einen qualifizierten Kundendiensttechniker ausführen.
		Rechter Messerantrieb funktioniert nicht.	609	nicht zutreffend	Ein Ton	Motorstörung	
Siehe „Fehlercode“	Gaspedal funktioniert nicht.		311/ 411	AUS	Ein Ton	Steuerelektronik funktioniert nicht	Lassen Sie Reparaturen durch einen qualifizierten Kundendiensttechniker ausführen.
			307/ 407			Wackelkontakt	
Siehe „Fehlercode“	Lenkrad funktioniert nicht.		312/ 412	AUS	Ein Ton	Steuerelektronik funktioniert nicht	Lassen Sie Reparaturen durch einen qualifizierten Kundendiensttechniker ausführen.
						Wackelkontakt	
Siehe „Fehlercode“	Feststellbremse ist defekt, der Rasenmäher kann nicht gefahren werden.	Die Steuerelektronik der Feststellbremse in der vorderen Rahmenbaugruppe ist defekt.	309/ 409	AUS	Ein Ton	Steuerelektronik funktioniert nicht	Lassen Sie Reparaturen durch einen qualifizierten Kundendiensttechniker ausführen.
		Feststellbremsschalter und/oder Leitung ist defekt.	801			AUS	



Anzeige im LCD	Beschreibung	Fehlercode im LCD	Rasenmäherstatusanzeige	Summer	Ursache	Lösung
AUS	Störung am Ladeanschluss	nicht zutreffend	ROTES Dauerlicht	nicht zutreffend	Der Stromkreis des Ladeanschlusses ist unterbrochen.	Lassen Sie Reparaturen durch einen qualifizierten Kundendiensttechniker ausführen.
		nicht zutreffend	ROTES Dauerlicht	nicht zutreffend	Versorgungsspannung liegt nicht an.	Prüfen Sie, ob 220 – 240 V an der Steckdose anliegen bzw. ob die Steckdose intakt ist.
		nicht zutreffend	ROTES Dauerlicht	nicht zutreffend	Die Sicherung ist durchgebrannt.	Lassen Sie Reparaturen durch einen qualifizierten Kundendiensttechniker ausführen.
Siehe „Fehlercode“	Ladeanschluss ist defekt.	204	nicht zutreffend	Ein Ton	Der Stromkreis des Ladeanschlusses ist unterbrochen.	Lassen Sie Reparaturen durch einen qualifizierten Kundendiensttechniker ausführen.
Siehe „Fehlercode“	Akkufacheinheit funktioniert nicht.	217	nicht zutreffend	Ein Ton	Die Spannungsversorgung über das Akkugehäuse ist unterbrochen. Die LED-Scheinwerfer und der USB-Ausgang funktionieren nicht.	Lassen Sie Reparaturen durch einen qualifizierten Kundendiensttechniker ausführen.
		310/ 410	AUS	Ein Ton	Der Kontakt zwischen den Typ C Leitungen des Akkufachs und anderen Typ C Leitungen des Rasenmähers ist gestört.	
		201/ 202/ 203	AUS	Ein Ton	Das BMS des Akkufachs ist defekt.	
Siehe „Fehlercode“	Start/Stop-Schalter funktioniert nicht.	314/ 414	AUS	Ein Ton	Schalterelektronik ist defekt oder schlechte Kabelverbindung zum Start/Stop-Schalter.	Lassen Sie Reparaturen durch einen qualifizierten Kundendiensttechniker ausführen.

**DE**

Anzeige im LCD	Beschreibung	Fehlercode im LCD	Rasenmäherstatusanzeige	Summer	Ursache	Lösung
Siehe „Fehlercode“	LC-Display ist defekt.	315/ 415	AUS	Ein Ton	LC-Display ist defekt oder gestörte Verbindung zum LC-Display.	Lassen Sie Reparaturen durch einen qualifizierten Kundendiensttechniker ausführen.

## GARANTIE

### EGO-GARANTIEBEDINGUNGEN

Sämtliche EGO Garantiebedingungen finden Sie auf der Website [egopowerplus.com](http://egopowerplus.com).

## LISEZ TOUTES LES INSTRUCTIONS!



**LIRE LA NOTICE D'UTILISATION**

FR

## SYMBOLE DE SECURITE

L'objectif des symboles de sécurité est d'attirer votre attention sur des dangers potentiels. Les symboles de sécurité et les explications les accompagnant doivent être lus attentivement et compris. Les symboles de mise en garde ne permettent pas par eux-mêmes d'éliminer les dangers. Les consignes et mises en garde ne se substituent pas à des mesures de prévention appropriées des accidents.

**⚠ AVERTISSEMENT :** Lisez et comprenez impérativement toutes les consignes de sécurité de ce manuel d'utilisation, y compris les symboles de mise en garde de sécurité tels que « **DANGER** », « **AVERTISSEMENT** » et « **ATTENTION** » avant d'utiliser cet outil. Le non-respect de toutes les instructions énumérées ci-dessous peut entraîner un choc électrique, un incendie et / ou des blessures graves.

## SIGNIFICATION DES SYMBOLES

Cette page décrit des symboles de sécurité pouvant être présents sur ce produit. Lisez, comprenez et respectez toutes les instructions présentes sur l'outil avant d'essayer de l'assembler et de l'utiliser.

## SYMBOLES DE SECURITE

	Alerte de sécurité		Lire et comprendre le manuel d'utilisation
	Protection oculaire		Entretien des dispositifs de sécurité
	DANGER - Risque sur une pente raide		DANGER - Tenir les passants éloignés des lames.
	Ne transportez jamais d'enfants		Regardez derrière vous en faisant marche arrière
	AVERTISSEMENT - Ne pas utiliser cette machine sur des pentes supérieures à 12°		DANGER – Projection d'objets
	AVERTISSEMENT - GARDER LES MAINS ET LES PIEDS ÉLOIGNÉS		Niveau de puissance acoustique garanti. Conformément à la directive de la Communauté européenne.

FR



Ne pas marcher



Les produits électriques usagés ne doivent pas être jetés avec les ordures ménagères. Apportez-les dans un centre de recyclage agréé.



Ce produit est conforme aux directives CE applicables.



ATTENTION - Ne fixez pas l'éclairage en fonctionnement.



Courant continu



Ce produit est conforme à la législation britannique applicable.

kPa	Kilopascal
V	Volts
in	Pouce
Nm	Mètre Newton
°C	Celsius
km / h	Kilomètres par heure

Tr / min	Tours par minute
m	Mètres
cm	Centimètres
mm	Millimètres
kg	Kilogramme
IPX4	Indice de protection

## SYMBOLES DE SÉCURITÉ



Veillez prendre note des informations



L'action indiquée s'arrête

## SPÉCIFICATIONS

Tension	56 V	
Taille du plateau	107 cm	
Taille de roue	Avant	279,4 x 101,6 – 127 mm
	Arrière	457,2 x 241,3 – 203,2 mm
Pression des pneus à froid	Avant	222,1 kPa
	Arrière	110,3 kPa
Rayon de braquage	0	
Vitesse de la lame (tr / min)	2400; 2600; 2800; 3000	

Vitesse de conduite maximale	Marche avant	4,8 km/h, 8,1 km/h, 9,7 km/h, 11,3 km/h (12,8 km/h en mode de déplacement)
	%arce arrière	jusqu'à 5,6 km/h
Charge	Chargeur (optionnel)	CHV1600E
	Adaptateur (optionnel)	ACA1000
	Plage de température de charge	-5°C - 40°C
Réglage de la hauteur de coupe (10 positions)		25 – 100 mm

Température d'utilisation	0°C- 40°C	
Température de stockage	-20°C - 70°C	
Poids (sans la batterie)	196 kg	
Niveau de puissance acoustique mesuré $L_{WA}$	96,44 dB(A) K=0,68 dB(A)	
Niveau de pression acoustique au niveau des oreilles de l'opérateur $L_{PA}$	84,3 dB(A) K=3,0 dB(A)	
Niveau de puissance acoustique garanti $L_{WA}$ (conformément à la norme 2000/14/CE)	100 dB(A)	
Vibration $a_h$	Main	1,221 m/s <sup>2</sup> K=1,5 m/s <sup>2</sup>
	Corps	0,568 m/s <sup>2</sup> K=1,5 m/s <sup>2</sup>

- La valeur totale des vibrations indiquée a été mesurée selon une procédure conforme à une méthode de test standardisée et peut servir pour comparer différents outils.
- La valeur totale des vibrations déclarée peut également servir pour effectuer une évaluation préliminaire de l'exposition.

**REMARQUE :** Le niveau de vibrations lors de l'utilisation réelle de l'outil peut être différent de la valeur déclarée totale en fonction de la manière dont l'outil est utilisé ; Afin de protéger l'opérateur, l'utilisateur doit porter des gants et des protecteurs d'oreilles en conditions réelles d'utilisation.

## ACCESSOIRES RECOMMANDÉS

**AVERTISSEMENT :** Utilisez uniquement les pièces de rechange identiques énumérées ci-dessous. L'utilisation de pièces ne correspondant pas aux caractéristiques de l'équipement d'origine peut causer un fonctionnement inadéquat et compromettre la sécurité.

NOM DES PIÈCES	NUMÉRO DE MODÈLE
Lame standard	AB4200
Lame à grande levée	AB4201
Bouchon de broyage	AMP4200
Kit de récupération des herbes	ABK4200-A
Pare-chocs arrière	AMB1000
Caisse	AMG1000
Pare-soleil	AMS1000

**FR**

## DESCRIPTION

### DESCRIPTION DE LA TONDEUSE (Fig. A1)

- Siège
- Port de charge
- Bloc d'alimentation
- Feux arrière LED
- Compartiment de stockage
- Eclairages latéraux LED
- Roue arrière (roue motrice)
- Port de lavage
- Plateau
- Protecteur du plateau
- Roue anti-scalp
- Roue avant
- Pédale de frein de stationnement
- Feux de circulation de jour
- Phares LED
- Pédale d'accélérateur
- Zone du repose-pieds
- Goulotte d'éjection latérale
- Levier de réglage de la hauteur du plateau
- Bouton de réglage de la suspension du siège
- Volant
- Boîte latérale droite
- Levier de réglage de la position du siège

24. Interrupteur de prise de force
25. Bouton marche / arrêt
26. Clé de sécurité
27. Espace de rangement pour le téléphone
28. Porte-gobelets
29. Palette gauche
30. Indicateur de statut de la tondeuse
31. Écran LCD
32. Palette droite
33. Bouton de réglage de la vitesse de la lame
34. Bouton CCS
35. Bouton de mode de conduite
36. Interrupteur de lumière LED
37. Bouton de réglage de la vitesse de conduite
38. Bouton d'ouverture du couvercle du bloc d'alimentation
39. Couvercle du bloc d'alimentation
40. Bloc d'alimentation avec six compartiments de batterie
41. Bouton de déverrouillage de la batterie
42. Attelage
43. Couvercle de montage de l'accessoire
44. Port USB

### DESCRIPTION DE L'ÉCRAN LCD (Fig. A2)

Reportez-vous à la section « **STATUT DE LA TONDEUSE ET CODES DE DÉFAUT** » pour plus d'informations sur les icônes et les indicateurs de l'écran LCD.

1. Icône de marche arrière
2. Icône CCS
3. Icône de la clé de sécurité
4. Icône des indicateurs LED
5. Icône de stationnement automatique
6. Icône USB
7. Indicateur de vitesse de lame
8. Indicateur de statut du dispositif de sécurité
9. Compteur horaire
10. Icône de compartiment de batterie vide

11. Icône de température
12. Icône de compartiment de batterie occupé
13. Mode de conduite
14. Indicateur de code d'erreur
15. Indicateur de surcharge
16. Indicateur de batterie faible
17. Jauge de carburant
18. Indicateur de charge
19. Indicateur de vitesse de conduite

## DÉBALLAGE

**REMARQUE :** Ne jetez pas les éléments d'emballage tant que vous n'avez pas soigneusement inspecté l'outil et que vous ne l'avez pas utilisé de manière satisfaisante. Si des pièces de la liste d'emballage sont assemblées sur la machine, veuillez contacter immédiatement le service EGO.

**REMARQUE :** À l'exception des outils figurant dans la liste d'emballage ci-dessous, tous les autres outils mentionnés dans les manuels sont simplement recommandés mais non fournis.

**REMARQUE :** Ne retirez pas le bloc de mousse sous le volant avant que le volant ne soit correctement installé. Les vibrations pendant le déplacement peuvent endommager le volant.

### CONTENU DE L'EMBALLAGE (FIG. B)

B-1	Tondeuse autoportée à rayon de braquage zéro	B-2	Siège
B-3	Bouchon de broyage	B-4	Vis à tête cylindrique (2 de rechange)
B-5	Clé Allen	B-6	Clé à douille
B-7	Clé à fourche	B-8	Clés de sécurité
B-9	Coupleur rapide pour port de lavage	B-10	Manuel d'utilisation



## ASSEMBLAGE

### INSTALLATION DU SIÈGE (Fig. C1 – C4)

**⚠ AVERTISSEMENT :** Le système de verrouillage de sécurité ne doit pas être déconnecté ou contourné. Cela pourrait provoquer un fonctionnement inattendu de la tondeuse et entraîner des blessures corporelles.

**REMARQUE :** Pour votre sécurité, la tondeuse peut s'arrêter de rouler car l'interrupteur du siège s'est déconnecté pendant la conduite. Dans ce cas, veuillez vous reporter à la section «**DÉPANNAGE**» pour plus d'informations.

C1-1	Prise	C1-2	Fiche
C1-3	Câble	C2-1	Bras de siège
C2-2	Base de suspension	C2-3	Clé Allen
C2-4	Vis à tête creuse	C2-5	Levier de réglage de la position du siège
C3-1	Rails en acier	C3-2	Clé Allen
C3-3	Vis à tête creuse	C4-1	Crochet

### MONTAGE DU VOLANT (Fig. C5 – C6)

C5-1	Boulon de verrouillage	C5-2	Barre
C6-1	Bloc de fixation	C6-2	Fente
C6-3	Protecteur de volant		

### FIXATION DU BOUCHON DE MULCHING (Fig. C7)

C7-1	Goulotte d'éjection latérale	C7-2	Bouchon de broyage
C7-3	Ressort amovible		

## AJUSTEMENT

### AVANT LE RÉGLAGE (Fig. D1)

#### RÉGLAGE DE LA HAUTEUR DU PLATEAU DE COUPE (Fig. D2)

#### RÉGLAGE DES ROUES ANTI-SCALP (Fig. D3 – D6)

D3-1	Roue anti-scalp	D5-1	Écrou
D5-2	Boulon de blocage	D6-1	Étiquette de la hauteur du plateau

#### RÉGLAGE DU SIÈGE (Fig. D7)

D7-1	Levier de réglage de la position du siège	D7-2	Bouton de réglage de la suspension du siège
------	---	------	---

#### RÉGLAGE DU VOLANT (Fig. D8)

D8-1	Boulon de verrouillage	D8-2	Barre
D8-3	Bloc de fixation	D8-4	Fente

## FONCTIONNEMENT

### AVANT L'UTILISATION (Fig. E1)

#### RÉGLAGE DU FREIN DE STATIONNEMENT (Fig. E2)

E2-1	Position de relâchement	E2-2	Position de freinage
------	-------------------------	------	----------------------

**REMARQUE :** N'appuyez jamais sur la pédale du frein de stationnement pour ralentir la vitesse. Une fois que la pédale de frein de stationnement est suffisamment enfoncée mais pas à la position de stationnement complète, la tondeuse cessera de se déplacer sur une surface plane, mais si cela se produit sur une pente, la tondeuse peut dévaler la pente.

## INSÉRER / RETIRER LA BATTERIE

### (Fig. E3 – E6)

FR

Pour démarrer cette tondeuse, des batteries EGO totalisant 15 Ah (2 X BA4200/BA4200T) ou plus sont nécessaires. Pour de meilleures performances, nous recommandons l'utilisation de batteries EGO totalisant 30 Ah ou plus.

E3-1	Bouton d'ouverture du couvercle	E5-1	Bouton de déblocage de la batterie
------	---------------------------------	------	------------------------------------

## RECHARGE DE LA TONDEUSE

Utilisez exclusivement les batteries et les chargeurs recommandés.

- Charger la ou les batteries séparément (Fig. E7)

**REMARQUE :** Reportez-vous aux manuels correspondants de la batterie et du chargeur pour des consignes détaillées.

- Charger la ou les batteries via le port de charge (Fig. E8-E10)

E10-1	Capuchon anti-poussière	E10-2	Port de charge
-------	-------------------------	-------	----------------

## TEST DU SYSTÈME DE VERROUILLAGE DE SÉCURITÉ

- Pour tester le système de lame du plateau (Fig. E11 – E12)
- Pour tester le système de conduite (Fig. E13 – E14)

Si le système de lames du plateau et/ou le système d'entraînement ne s'arrête pas lorsque l'opérateur n'est pas assis sur le siège et si la cause ne peut pas être déterminée après avoir vérifié que la fiche et la prise du siège sont bien connectées, contactez immédiatement votre centre de service après-vente EGO.

## A VÉRIFIER AVANT UTILISATION

- Veillez à ce qu'il n'y ait aucune autre personne, aucun enfant, ni aucun animal dans la zone de travail.
- Dégagez la zone de travail des objets qui pourraient être projetés par les lames de la tondeuse.

- Nettoyez les débris de la tondeuse.
- Vérifiez que les fixations sont bien serrées.
- Assurez-vous que tous les carters de protection sont en place et fonctionnent correctement.
- Vérifiez visuellement si les pneus sont gonflés.
- Vérifiez le fonctionnement des freins.
- Ajustez la hauteur du plateau à la position de coupe souhaitée la mieux adaptée à la pelouse et ajustez les roues anti-scalp en conséquence.
- Réglez la position du siège et assurez-vous que les deux pédales sont accessibles.
- Ajustez le volant à la position souhaitée le cas échéant.
- Vérifiez le niveau de charge de la batterie.
- Testez le système de verrouillage de sécurité.

## MISE EN MARCHE DE LA TONDEUSE

### (Fig. E15 – Fig. E16)

**⚠ AVERTISSEMENT :** Évitez les démarrages, les arrêts et les virages brusques, ainsi que la vitesse excessive, surtout lorsque vous apprenez à utiliser la tondeuse. La tondeuse peut tourner rapidement, ce qui peut vous faire perdre le contrôle et entraîner des blessures et/ou des dommages graves.

**⚠ AVERTISSEMENT :** Avant de démarrer la tondeuse, vérifiez que les lames se désengagent dans un délai de 5 secondes lorsque vous poussez l'interrupteur PTO vers le bas. Si les lames ne s'arrêtent pas, n'utilisez pas la tondeuse et contactez immédiatement votre service client EGO.

**REMARQUE :** Suivez les schémas E17 et E18 pour obtenir la vitesse de conduite la plus basse et le mode de conduite STANDARD jusqu'à ce que vous soyez pleinement capable d'utiliser la tondeuse dans toutes les situations.

Lors du redémarrage, la tondeuse repasse au mode de conduite, à la vitesse de conduite et au calibrage du volant précédemment employés.

### RÉGLAGE DU MODE DE CONDUITE (Fig. E17)

- **CONTRÔLE :** Accélération plus faible, maniement moins sensible et vitesse de rotation plus douce pour protéger l'herbe et pour les nouveaux utilisateurs.

- **STANDARD** : Parfait pour une utilisation quotidienne.
- **SPORT** : Accélération plus forte, maniement précis et virage serré pour maximiser l'efficacité de la tonte et pour les passionnés de tonte.

**REMARQUE** : Le mode de conduite ne peut pas être réglé pendant la conduite. La fonction ne s'active que lorsque les roues de la tondeuse sont arrêtées.

#### Réglage de la vitesse de conduite (Fig. E18)

**REMARQUE** : En mode "TURBO", appuyez sur "-", la vitesse de conduite reviendra au mode précédent.

#### Réglage de la vitesse de la lame (Fig. E19)

#### Éclairage LED

- Les phares, les feux latéraux et les feux arrière sont contrôlés par l'interrupteur des feux LED.
- Les feux de position restent toujours allumés pendant la conduite.
- Lors d'une marche arrière, si les feux arrière sont éteints, ils clignotent pour avertir les passants ; si les feux arrière sont allumés, ils restent allumés.
- Toutes les lumières s'éteignent automatiquement lorsque la tondeuse s'éteint automatiquement après une période d'inactivité.

#### Port USB

**REMARQUE** : Le port USB fournit une puissance de charge de 5 Volts CC à une consommation combinée maximale de 1,5 ampère et est alimenté uniquement lorsque la tondeuse est en cours de démarrage

#### ARRÊT DE LA TONDEUSE (Fig. E20)

**REMARQUE** : Après plus de 60 minutes d'inactivité, la tondeuse s'arrête automatiquement.

#### Mode de secours

Lorsque la batterie devient très faible, la tondeuse passe en mode de secours pour conserver suffisamment d'énergie pour retourner à la zone de charge.

- Les lames passent en vitesse de rotation lente et ne coupent que très peu d'herbe. Lorsqu'elles entrent en contact avec de l'herbe haute et dense, les lames s'arrêtent de tourner. L'indicateur sonore retentira (bip) par intermittence.

- L'indicateur d'état de la tondeuse clignotera en rouge toutes les secondes, l'indicateur de faible puissance et le symbole de batterie sur la jauge de carburant clignoteront.

L'opérateur doit :

- Pousser l'interrupteur de prise de force vers le bas pour couper les moteurs de lame. L'indicateur sonore s'arrêtera de sonner lorsque les moteurs de lame s'arrêteront.
- Arrêter de travailler et rejoindre la zone de recharge dès que possible. La distance maximale que la tondeuse peut parcourir est de 1000 m.

Lorsque la batterie est presque épuisée, l'icône de chaque compartiment de batterie occupé et l'indicateur de faible puissance clignotent toutes les demi-secondes. La tondeuse cesse immédiatement de fonctionner. L'opérateur devra transporter la tondeuse jusqu'à la zone de charge pour la recharger.

**REMARQUE** : Si vous souhaitez pousser la tondeuse manuellement, assurez-vous que les batteries sont déconnectées de la tondeuse et que la pédale du frein de stationnement n'est pas en position de freinage.

#### CONDUITE DE LA TONDEUSE (Fig. E21)

**⚠ DANGER** : Restez à une distance d'au moins deux largeurs de tonte de tout fossé, pente raide ou plan d'eau. Les roues avant peuvent tourner lorsque la tondeuse est arrêtée, même si le frein est serré, et provoquer un basculement de la tondeuse vers un fossé ou dans l'eau et entraîner la mort ou des blessures graves.

**⚠ AVERTISSEMENT** : Soyez conscient de ce qui se trouve derrière la tondeuse avant de faire marche arrière. Ne tondez PAS en marche arrière, sauf en cas de nécessité absolue. Regardez toujours vers le bas et derrière vous avant et pendant que vous reculez pour vous assurer qu'aucun enfant, spectateur ou animal domestique ne pénètre dans la zone de tonte. N'oubliez pas qu'une fraction de seconde d'inattention suffit pour infliger la mort ou des blessures graves.

**⚠ AVERTISSEMENT** : N'utilisez pas cette machine sur les voies publiques.

**⚠ AVERTISSEMENT :** Si un blocage se produit ou si vous heurtez un objet étranger, arrêtez le moteur et retirez la batterie. Enlevez l'herbe coupée, les feuilles, la saleté et tout autre débris accumulé ; inspectez minutieusement la tondeuse pour détecter tout dommage et réparez les dommages avant de redémarrer et d'utiliser la tondeuse.

## UTILISATION DU RÉGULATEUR DE VITESSE (CCS)

**Pour activer le régulateur de vitesse pendant la conduite (Fig. E22)**

**REMARQUE :** Le niveau de vitesse de conduite affiché sur l'écran LCD peut ne pas représenter avec précision la vitesse de conduite réelle de la tondeuse lorsque vous utilisez le régulateur de vitesse. Appuyez sur l'un des boutons de réglage de la vitesse (« ← » ou « → ») pour « rafraîchir » et régler le niveau de vitesse de conduite sur l'écran LCD.

**Pour désactiver le régulateur de vitesse et arrêter la tondeuse**, quatre options s'offrent à vous :

- Appuyez légèrement sur la pédale d'accélérateur puis relâchez-la.
- Tirez la ou les palettes gauche/droite vers l'opérateur puis relâchez-les.
- Appuyez sur la pédale du frein de stationnement.
- Appuyez sur le bouton du régulateur de vitesse (CCS).

**REMARQUE :** Appuyez à fond sur la pédale d'accélérateur pour atteindre la vitesse de conduite actuelle du régulateur de vitesse et continuez à appuyer sur la pédale. La fonction de régulation de vitesse s'arrête et la tondeuse continue à rouler à la vitesse actuelle.

## ENTRETIEN

**⚠ AVERTISSEMENT :** Portez toujours une protection oculaire avec boucliers latéraux. Le non-respect de cette consigne pourrait entraîner la projection d'objets dans les yeux et provoquer des blessures graves éventuelles.

**⚠ AVERTISSEMENT :** Protégez toujours vos mains en portant des gants épais ou en enroulant les bords coupants de la lame dans des chiffons ou d'autres matériaux lors de l'entretien de la lame de la tondeuse. Retirez toujours la clé de sécurité et la batterie lorsque vous procédez à l'entretien de la tondeuse ou que vous la transportez.

Fréquence d'entretien	Procédure d'entretien
Avant chaque utilisation ou quotidiennement	<ul style="list-style-type: none"> <li>▪ Vérifiez le système de verrouillage de sécurité.</li> <li>▪ Vérifiez visuellement si les pneus sont gonflés.</li> <li>▪ Inspectez les lames.</li> <li>▪ Inspectez l'ensemble du produit pour vérifier qu'il n'y a pas de pièces endommagées, manquantes ou desserrées telles que la goulotte d'éjection latérale, les vis, les écrous, les boulons, les capuchons, etc. et assurez-vous que toutes les protections sont en place et fonctionnent correctement.</li> <li>▪ Vérifiez et assurez-vous que la pédale d'accélérateur peut être enfoncée et relâchée correctement.</li> <li>▪ Vérifiez l'amortisseur du volant. Le volant doit être tourné avec une certaine résistance.</li> </ul>
Après chaque utilisation	<ul style="list-style-type: none"> <li>▪ Nettoyez le plateau de la tondeuse.</li> </ul>
Toutes les 25 heures	<ul style="list-style-type: none"> <li>▪ Vérifiez la pression des pneus.</li> </ul>
Toutes les 100 heures	<ul style="list-style-type: none"> <li>▪ Vérifiez les roues arrière, en vous assurant que tous les écrous de roue sont fixés au couple recommandé.</li> </ul>
Toutes les 200 heures	<ul style="list-style-type: none"> <li>▪ Contrôlez les roues avant, en vous assurant qu'elles tournent librement.</li> </ul>

Avant le rangement	<ul style="list-style-type: none"> <li>Retirez les batteries de la tondeuse.</li> <li>Retirez la clé de sécurité de la tondeuse.</li> <li>Effectuez toutes les procédures de maintenance énumérées ci-dessus et nettoyez soigneusement la tondeuse.</li> <li>Inspectez l'ensemble du produit pour détecter les pièces endommagées, manquantes ou desserrées, remplacez ou resserrez les pièces correspondantes avant le stockage.</li> </ul>
Annuellement	<ul style="list-style-type: none"> <li>Vérifiez la pédale du frein de stationnement. Retirez la batterie de la tondeuse et placez la pédale du frein de stationnement en position de freinage. Poussez manuellement la tondeuse vers l'avant pour voir si elle peut être déplacée ou non. Si elle bouge, faites-la réviser par un technicien qualifié.</li> </ul>

## ENTRETIEN GÉNÉRAL

### Nettoyage du carénage de la tondeuse (Fig. F1 – F2)

### Utilisation du port de lavage pour nettoyer le plateau (Fig. F3 – F4)

F2-1	Port de lavage	F2-2	Coupleur rapide pour port de lavage
F2-3	Tuyau d'arrosage		

**REMARQUE :** Une fois le nettoyage terminé, éteignez complètement la tondeuse, puis retirez le tuyau d'arrosage et le raccord rapide.

## ENTRETIEN DU PLATEAU DE COUPE ET DES LAMES DE COUPE

### PRÉPARATION (Fig. G1)

#### Retrait du plateau (Fig. G2 – G3)

G2-1	Câble du moteur	G2-2	Biellette de suspension
G2-3	Goupille fendue		

**REMARQUE :** Débranchez tous les câbles du moteur et les goupilles fendues lors du retrait du plateau de coupe.

#### Remplacement des lames de coupe (Fig. G4 – G6)

G4-1	Stabilisateur	G5-1	Boulon
G5-2	Rondelle	G5-3	Lame
G5-4	Bride	G5-5	Arbre du moteur

#### Mise à niveau du plateau de coupe

##### a. Quand effectuer la mise à niveau (Fig. G7 – G9)

##### b. Avant la mise à niveau

- Contrôle de la pression des pneus à froid (Fig. G10)
- Contrôlez les lames de coupe. Retirez et remplacez les lames usées, fissurées et/ou tordues si nécessaire.

##### c. Préparation pour la mise à niveau (Fig. G11)

##### d. Comment effectuer la mise à niveau

- Pour effectuer le réglage latéral (Fig. G12)
- Pour effectuer le réglage d'avant en arrière (Fig. G13)

## CALIBRAGE DU SYSTÈME DE SUIVI DE LA TONDEUSE (Fig. H1 – H2)

**REMARQUE :** Le signal sonore retentira une fois à la fois au début du calibrage et lorsque le calibrage sera terminé.

**REMARQUE :** Le calibrage effectué pour l'un des modes de conduite ("CONTROL", "STANDARD", "SPORT") peut ne pas être disponible pour les deux autres modes. Calibrez le volant dans chaque mode de conduite indépendamment selon les besoins.

## RÉINITIALISATION DE LA TONDEUSE AUX RÉGLAGES D'USINE INITIAUX (Fig. I)

FR

**REMARQUE :** Le signal sonore retentira une fois à la fois au début de la réinitialisation et lorsque la réinitialisation sera terminée.

**REMARQUE :** Une fois la réinitialisation réussie, les paramètres ci-dessous reviendront aux paramètres d'usine initiaux :

- mode de conduite
- vitesse de conduite
- calibration du volant

## RANGEMENT ET TRANSPORT

### TRANSPORT DE LA TONDEUSE (Fig. J1 – J5)

**REMARQUE :** Fixez la tondeuse selon les besoins, à l'aide de sangles ou de câbles, pour éviter tout mouvement pendant le transport.

### STOCKAGE (Fig. K1 – K2)

**REMARQUE :** Retirez les blocs de batteries et stockez les batteries en vous référant aux manuels correspondants.

Nettoyez et vérifiez la tondeuse avant de la ranger, reportez-vous aux sections « **NETTOYAGE DE LA TONDEUSE** » et « **CALENDRIER(S) D'ENTRETIEN RECOMMANDÉ(S)** ».

### Protection de l'environnement



DEEE (déchet d'équipement électrique et électronique) Ne jetez pas les équipements électriques, les batteries et les chargeurs usagés avec les ordures ménagères ! Apportez ce produit dans un centre de recyclage agréé pour qu'il fasse l'objet d'une collecte séparée. Les outils électriques doivent être amenés dans un centre de recyclage pour assurer le respect de l'environnement.




## GUIDE DE DÉPANNAGE

FR

PROBLÈME	CAUSE	SOLUTION
La tondeuse autoportée à rayon de braquage zéro n'avance pas lorsque la pédale d'accélérateur est enfoncée.	<ul style="list-style-type: none"> <li>▪ L'ampérage combiné des batteries insérées ne répond pas aux exigences.</li> </ul>	<ul style="list-style-type: none"> <li>▪ Pour démarrer cette tondeuse, utilisez suffisamment de batteries EGO en suivant les consignes de la rubrique « <b>INSÉRER/RETIRER LA BATTERIE</b> » de ce manuel.</li> </ul>
	<ul style="list-style-type: none"> <li>▪ La pédale du frein de stationnement est placée en position de freinage.</li> </ul>	<ul style="list-style-type: none"> <li>▪ Enfoncez complètement la pédale du frein de stationnement pour la libérer de la position de freinage.</li> </ul>
	<ul style="list-style-type: none"> <li>▪ Les palettes gauche et droite ne sont pas brièvement tirées vers l'opérateur pour que l'indicateur d'état de la tondeuse s'allume en vert lors du démarrage de la tondeuse.</li> </ul>	<ul style="list-style-type: none"> <li>▪ Tirez les DEUX palettes gauche et droite vers l'opérateur simultanément, puis relâchez-les. L'indicateur d'état de la tondeuse s'allume en vert, ce qui signifie que la tondeuse est prête à démarrer.</li> </ul>
	<ul style="list-style-type: none"> <li>▪ L'opérateur n'est pas assis sur le siège.</li> </ul>	<ul style="list-style-type: none"> <li>▪ Ce n'est que lorsque l'opérateur est correctement assis sur le siège qu'il peut utiliser la tondeuse.</li> </ul>
	<ul style="list-style-type: none"> <li>▪ L'interrupteur du siège n'est pas connecté correctement.</li> </ul>	<ul style="list-style-type: none"> <li>▪ Retirez la batterie de la tondeuse et démontez le siège dans l'ordre inverse des consignes indiquées dans la partie « <b>INSTALLATION DU SIÈGE</b> » de ce manuel pour vous assurer que la fiche du câble est correctement connectée à la prise en bas du siège. Remontez le siège et suivez les consignes figurant dans la partie « <b>DÉMARRAGE DE LA TONDEUSE</b> » pour voir si vous arrivez à démarrer la tondeuse. Si ce n'est pas le cas, contactez un technicien qualifié pour la réparation.</li> </ul>
	<ul style="list-style-type: none"> <li>▪ Par temps très froid, la fonction de conduite peut ne pas démarrer correctement en raison de la protection contre les basses températures.</li> </ul>	<ul style="list-style-type: none"> <li>▪ Stockez toujours la tondeuse et la batterie dans un environnement chaud. Redémarrez la tondeuse lorsqu'elle est réchauffée. Ne faites pas de tentatives répétées par grand froid, car cela pourrait endommager la machine.</li> </ul>
	<ul style="list-style-type: none"> <li>▪ La trajectoire de déplacement de la pédale d'accélérateur est obstruée par des débris.</li> </ul>	<ul style="list-style-type: none"> <li>▪ Retirez les débris le cas échéant.</li> </ul>
	<ul style="list-style-type: none"> <li>▪ Défaillance des composants mécaniques ou électroniques de la pédale d'accélérateur.</li> </ul>	<ul style="list-style-type: none"> <li>▪ Contactez un technicien qualifié pour la réparation.</li> </ul>

PROBLÈME	CAUSE	SOLUTION
La tondeuse cesse de rouler.	<ul style="list-style-type: none"> <li>La palette gauche/droite nécessite une « réinitialisation ».</li> </ul>	<ul style="list-style-type: none"> <li>Tirez les palettes gauche/droite vers l'opérateur et relâchez-les. Si l'indicateur de statut est vert, la tondeuse est prête à rouler.</li> </ul>
	<ul style="list-style-type: none"> <li>Défaillance des composants électroniques de la pédale d'accélérateur.</li> </ul>	<ul style="list-style-type: none"> <li>Contactez un technicien qualifié pour la réparation.</li> </ul>
	<ul style="list-style-type: none"> <li>Le système de verrouillage de sécurité du siège s'est déconnecté pendant la conduite sur un terrain accidenté.</li> </ul>	<ul style="list-style-type: none"> <li>Retirez la batterie de la tondeuse et démontez le siège dans l'ordre inverse des consignes indiquées dans la partie « <b>INSTALLATION DU SIÈGE</b> » de ce manuel pour vous assurer que la fiche du câble est correctement connectée à la prise en bas du siège. Remontez le siège et suivez les consignes figurant dans la partie « <b>DÉMARRAGE DE LA TONDEUSE</b> » pour voir si vous arrivez à démarrer la tondeuse. Si ce n'est pas le cas, contactez un technicien qualifié pour la réparation.</li> </ul>
	<ul style="list-style-type: none"> <li>Le poids de l'opérateur n'est pas uniformément réparti sur le siège. Le poids de l'opérateur sur le siège doit être d'au moins 20 kg pour que le système de verrouillage de sécurité du siège fonctionne correctement</li> </ul>	<ul style="list-style-type: none"> <li>Asseyez-vous correctement sur le siège, tirez la palette gauche/droite ou les deux palettes vers vous et relâchez-les, la tondeuse est alors prête à rouler.</li> </ul>
		<ul style="list-style-type: none"> <li>Déconnectez la batterie et remettez-la en place si nécessaire.</li> </ul>
Le mode de conduite ne peut pas être réglé pendant la conduite.	<ul style="list-style-type: none"> <li>La pédale de frein de stationnement est enfoncée pour ralentir la vitesse de conduite. Lorsque la pédale du frein de stationnement est suffisamment enfoncée, mais pas jusqu'à la position de stationnement, la tondeuse s'arrête.</li> </ul>	<ul style="list-style-type: none"> <li>Suivez les consignes figurant dans la partie « <b>DÉMARRAGE DE LA TONDEUSE</b> » pour redémarrer la tondeuse.</li> </ul>
	<ul style="list-style-type: none"> <li>Il s'agit d'une caractéristique de la tondeuse à rayon de braquage zéro qui permet une conduite sûre.</li> </ul>	<ul style="list-style-type: none"> <li>La fonction ne s'active que lorsque les roues de la tondeuse sont arrêtées.</li> </ul>

PROBLÈME	CAUSE	SOLUTION
<p>La tondeuse ne démarre pas les lames lorsque l'interrupteur de prise de force est activé.</p>  <p>L'icône de l'interrupteur de prise de force clignote</p>	<ul style="list-style-type: none"> <li>▪ L'ampérage combiné des batteries insérées ne répond pas aux exigences.</li> </ul>	<ul style="list-style-type: none"> <li>▪ Pour démarrer cette tondeuse, utilisez suffisamment de batteries EGO en suivant les consignes de la rubrique «<b>INSÉRER/RETIRER LA BATTERIE</b> » de ce manuel.</li> </ul>
	<ul style="list-style-type: none"> <li>▪ L'interrupteur de prise de force n'a pas été enfoncé lorsque la tondeuse a été éteinte la dernière fois.</li> </ul>	<ul style="list-style-type: none"> <li>▪ Poussez l'interrupteur de prise de force vers le bas puis vers le haut pour redémarrer les moteurs de lame.</li> </ul>
	<ul style="list-style-type: none"> <li>▪ La tondeuse est surchargée au moment où les lames commencent à tourner, ce qui déclenche l'autoprotection du moteur.</li> </ul>	<ul style="list-style-type: none"> <li>▪ Commencez d'abord à tondre l'herbe à la vitesse de lame la plus faible et n'accélérez que lorsque les lames tournent correctement.</li> </ul>
	<ul style="list-style-type: none"> <li>▪ Par grand froid, le moteur des lames peut ne pas démarrer correctement en raison de la protection contre les basses températures.</li> </ul>	<ul style="list-style-type: none"> <li>▪ Stockez toujours la tondeuse et la batterie dans un environnement chaud. Redémarrez la tondeuse lorsqu'elle est réchauffée. Ne faites pas de tentatives répétées par grand froid, car cela pourrait endommager la machine.</li> </ul>
	<ul style="list-style-type: none"> <li>▪ La lame interfère avec le plateau de coupe déformé</li> </ul>	<ul style="list-style-type: none"> <li>▪ Contactez le service client EGO.</li> </ul>
	<ul style="list-style-type: none"> <li>▪ La tondeuse roule à la vitesse du mode de « déplacement ».</li> </ul>	<ul style="list-style-type: none"> <li>▪ Lorsque la tondeuse roule à la vitesse de « DÉPLACEMENT », les moteurs de lames s'arrêtent automatiquement.</li> </ul>

PROBLÈME	CAUSE	SOLUTION
Les lames cessent de fonctionner pendant la coupe de l'herbe.	<ul style="list-style-type: none"> <li>La tondeuse est en surcharge.</li> </ul>	<ul style="list-style-type: none"> <li>Augmentez la hauteur de coupe du plateau ou ralentissez la vitesse de conduite pour réduire la charge de la tondeuse.</li> </ul>
	<ul style="list-style-type: none"> <li>Le carénage de la tondeuse est encrassé d'herbe et de débris.</li> </ul>	<ul style="list-style-type: none"> <li>Nettoyez le plateau de coupe et assurez-vous que les lames ont une liberté de mouvement.</li> </ul>
	<ul style="list-style-type: none"> <li>La tondeuse est en surchauffe.</li> </ul>	<ul style="list-style-type: none"> <li>Réduisez la charge de la tondeuse en augmentant la hauteur de coupe du plateau ou en ralentissant la vitesse de la lame/d'entraînement et laissez la tondeuse refroidir.</li> </ul>
	<ul style="list-style-type: none"> <li>Les batterie(s) dans le compartiment des batteries de la tondeuse sont en surchauffe, la capacité nominale Ah combinée de toutes les batteries insérées n'est alors pas conforme aux exigences.</li> </ul>	<ol style="list-style-type: none"> <li>La tondeuse peut continuer à fonctionner si capacité nominale d'ampérage combinée de la batterie, à l'exclusion de la batterie surchauffée, est conforme aux exigences. Une fois que la batterie surchauffée revient à une température normale, elle alimente immédiatement la tondeuse.</li> </ol>
		<ol style="list-style-type: none"> <li>Si l'intensité nominale combinée des batteries n'est pas conforme aux exigences, la tondeuse ne fonctionnera pas tant que d'autres batteries ne seront pas insérées dans les compartiments vacants.</li> </ol>
		<ol style="list-style-type: none"> <li>Réduisez la charge de la tondeuse en augmentant la hauteur de coupe du plateau ou en ralentissant la tonte lors de la reprise de l'opération.</li> </ol>
	<ul style="list-style-type: none"> <li>La tondeuse est en mode Limp-Home.</li> </ul>	<ul style="list-style-type: none"> <li>Lorsque la tondeuse est en mode de secours, les lames se mettent automatiquement à tourner à basse vitesse. L'opérateur doit cesser de travailler et retourner dans la zone de charge de la batterie dès que possible.</li> </ul>
	<ul style="list-style-type: none"> <li>La tondeuse a été heurtée par un objet étranger, ce qui entraîne une autoprotection du moteur.</li> </ul>	<ul style="list-style-type: none"> <li>Poussez l'interrupteur de prise de force vers le bas puis vers le haut pour redémarrer les moteurs de lame.</li> </ul>
<ul style="list-style-type: none"> <li>La vitesse de la tondeuse est réglée en mode « VOYAGE ».</li> </ul>	<ul style="list-style-type: none"> <li>Lorsque la vitesse de la tondeuse est en mode « VOYAGE », les moteurs à lames s'arrêtent automatiquement.</li> </ul>	

PROBLÈME	CAUSE	SOLUTION
L'indicateur sonore continue de retentir.	<ul style="list-style-type: none"> <li>La tondeuse est en mode de secours et les lames ne sont pas arrêtées.</li> </ul>	<ul style="list-style-type: none"> <li>Abaissez l'interrupteur de prise de force pour arrêter les moteurs de lames. L'indicateur sonore cessera de retentir lorsque les moteurs de lames s'arrêtent.</li> </ul>
	<ul style="list-style-type: none"> <li>La tondeuse est arrêtée sur une pente et l'opérateur se lève du siège sans mettre la pédale du frein de stationnement en position de freinage.</li> </ul>	<ul style="list-style-type: none"> <li>Placez la pédale du frein de stationnement en position de freinage avant de laisser la tondeuse sur la pente.</li> </ul>
Les indicateurs de la batterie restent allumés lorsque la tondeuse est éteinte.	<ul style="list-style-type: none"> <li>Lorsque la tondeuse est arrêtée au sol et que les batterie(s) y sont toujours insérées, les indicateurs de batterie, le bouton marche/arrêt et le bouton CCS restent allumés pendant un certain temps.</li> </ul>	<ul style="list-style-type: none"> <li>Aucune action n'est nécessaire. Les indicateurs de batterie s'éteignent lorsque la tondeuse s'arrête après un certain temps. Reportez-vous à la rubrique «<b>ARRÊT DE LA TONDEUSE</b>» pour connaître la durée précise.</li> </ul>
	<ul style="list-style-type: none"> <li>Lorsque la tondeuse est arrêtée sur une pente sans mettre la pédale du frein de stationnement en position de freinage, les indicateurs de batterie restent allumés jusqu'à ce que la batterie soit vide. L'indicateur sonore continue de retentir en même temps.</li> </ul>	<ul style="list-style-type: none"> <li>Placez la pédale du frein de stationnement en position de freinage avant de laisser la tondeuse sur la pente.</li> </ul>
L'écran LCD ne s'allume pas avec toutes les icônes allumées.	<ul style="list-style-type: none"> <li>Le bouton marche/arrêt a été enfoncé suffisamment longtemps.</li> </ul>	<ul style="list-style-type: none"> <li>L'écran LCD n'affiche la « jauge de carburant » que lorsque vous appuyez brièvement sur le bouton marche/arrêt.</li> </ul>
		<ul style="list-style-type: none"> <li>L'écran LCD s'allume après avoir appuyé suffisamment longtemps sur le bouton marche/arrêt.</li> </ul>
La tondeuse coupe de manière irrégulière, avec une différence de hauteur significative entre l'avant et l'arrière.	<ul style="list-style-type: none"> <li>Les lames sont émoussées.</li> </ul>	<ul style="list-style-type: none"> <li>Affûtez ou remplacez la lame de coupe comme indiqué dans ce manuel.</li> </ul>
	<ul style="list-style-type: none"> <li>Les lames sont pliées.</li> </ul>	<ul style="list-style-type: none"> <li>Remplacez la lame de coupe tordue en suivant les instructions de la section « <b>REPLACEMENT DES LAMES DE COUPE</b> ».</li> </ul>
	<ul style="list-style-type: none"> <li>Le plateau de coupe n'est pas nivelé, ce qui entraîne une différence de hauteur des lames.</li> </ul>	<ul style="list-style-type: none"> <li>Mettez le plateau de coupe à niveau en suivant les instructions de la section « <b>MISE À NIVEAU DU PLATEAU DE COUPE</b> ».</li> </ul>

PROBLÈME	CAUSE	SOLUTION
La hauteur de coupe réelle de l'herbe n'est pas alignée avec la hauteur annoncée.	<ul style="list-style-type: none"> <li>Les écrous du plateau de coupe sont desserrés sur la tringlerie de suspension</li> </ul>	<ul style="list-style-type: none"> <li>Suivez les instructions du paragraphe « <b>MISE À NIVEAU DU PLATEAU DE COUPE</b> » pour effectuer un réglage correct de l'avant vers l'arrière du plateau de coupe et serrez fermement les écrous sur la tringlerie de suspension.</li> </ul>
	<ul style="list-style-type: none"> <li>Le plateau de coupe est endommagé ou gravement usé.</li> </ul>	<ul style="list-style-type: none"> <li>Suivez les instructions de la section « <b>RETRAIT DU PLATEAU DE COUPE</b> » pour faire remplacer le plateau de la tondeuse.</li> </ul>
La tondeuse ne broie pas correctement.	<ul style="list-style-type: none"> <li>Des brins d'herbe mouillés sont collés sous le carénage.</li> </ul>	<ul style="list-style-type: none"> <li>Attendez que l'herbe sèche avant de la tondre.</li> </ul>
	<ul style="list-style-type: none"> <li>La tondeuse est réglée pour couper trop d'herbe.</li> </ul>	<ul style="list-style-type: none"> <li>Augmentez la hauteur de coupe du plateau..</li> </ul>
Vibrations excessives.	<ul style="list-style-type: none"> <li>Les lames de coupe sont lâches.</li> </ul>	<ul style="list-style-type: none"> <li>Serrez le boulon de la lame au couple recommandé.</li> </ul>
	<ul style="list-style-type: none"> <li>Les lames sont pliées.</li> </ul>	<ul style="list-style-type: none"> <li>Remplacez la lame de coupe tordue en suivant les instructions de la section « <b>REPLACEMENT DES LAMES DE COUPE</b> ».</li> </ul>
	<ul style="list-style-type: none"> <li>Le plateau de coupe de la tondeuse n'est pas nivelé.</li> </ul>	<ul style="list-style-type: none"> <li>Mettez le plateau de coupe à niveau en suivant les instructions de la section « <b>MISE À NIVEAU DU PLATEAU DE COUPE</b> ».</li> </ul>
	<ul style="list-style-type: none"> <li>Les écrous du plateau de coupe sont desserrés sur la tringlerie de suspension.</li> </ul>	<ul style="list-style-type: none"> <li>Serrez les écrous de la tringlerie de suspension.</li> </ul>
	<ul style="list-style-type: none"> <li>La tondeuse est réglée pour couper trop d'herbe en une seule fois.</li> </ul>	<ul style="list-style-type: none"> <li>Augmentez la hauteur de coupe du plateau..</li> </ul>
Il reste de l'herbe ou des débris sur le sol après la tonte.	<ul style="list-style-type: none"> <li>La tondeuse est réglée pour couper trop d'herbe à la fois lorsque l'herbe est haute.</li> </ul>	<ul style="list-style-type: none"> <li>Commencez par une hauteur de coupe élevée et réduisez-la jusqu'à ce que le résultat de tonte souhaité soit atteint. L'herbe de plus de 152 mm de hauteur doit être tondue deux fois, à des hauteurs de coupe de plus en plus basses.</li> </ul>
	<ul style="list-style-type: none"> <li>L'herbe est mouillée.</li> </ul>	<ul style="list-style-type: none"> <li>Ne tondez pas lorsque l'herbe est mouillée jusqu'à ce que l'herbe sèche.</li> </ul>
	<ul style="list-style-type: none"> <li>La vitesse d'avancement est élevée.</li> </ul>	<ul style="list-style-type: none"> <li>Ralentissez la vitesse de conduite.</li> </ul>
	<ul style="list-style-type: none"> <li>La vitesse de la lame est faible.</li> </ul>	<ul style="list-style-type: none"> <li>Augmentez progressivement la vitesse de la lame.</li> </ul>

PROBLÈME	CAUSE	SOLUTION
La durée de fonctionnement de la tondeuse avec la batterie fournie est courte.	<ul style="list-style-type: none"> <li>Le terrain de la pelouse, l'état de l'herbe, le réglage de la hauteur de coupe, la vitesse de conduite, la vitesse de la lame, etc. auront une influence considérable sur la durée de fonctionnement.</li> </ul>	<ul style="list-style-type: none"> <li>Augmentez la hauteur de coupe du plateau et ralentissez la vitesse de la lame pour réduire la charge de coupe.</li> </ul>
La tondeuse ne se déplace pas en ligne droite.	<ul style="list-style-type: none"> <li>Les pressions des pneus des roues arrière gauche et droite sont différentes.</li> </ul>	<ul style="list-style-type: none"> <li>Vérifiez et ajustez la pression d'air dans les deux pneus des roues arrière, comme indiqué à la rubrique « <b>SPÉCIFICATIONS</b> ».</li> </ul>
	<ul style="list-style-type: none"> <li>Les vitesses d'avancement des roues arrière gauche et droite sont différentes.</li> </ul>	<ul style="list-style-type: none"> <li>Calibrez le volant en suivant les consignes de la partie « <b>CALIBRAGE DU SYSTÈME DE SUIVI DE LA TONDEUSE</b> ».</li> </ul>
La pédale du frein de stationnement ne peut pas être relâchée de la position de freinage ou revient en arrière lentement.	<ul style="list-style-type: none"> <li>Des débris ou des saletés ont peut-être pénétré dans la pédale du frein de stationnement.</li> </ul>	<ul style="list-style-type: none"> <li>Ouvrez le boîtier de la pédale de frein de stationnement pour en nettoyer soigneusement l'intérieur puis fermez-le. Réinitialisez la pédale de frein de stationnement pour voir si le problème est résolu. Si ce n'est pas le cas, contactez un technicien qualifié pour la réparation.</li> </ul>
La tondeuse ne peut pas être chargée via le port de charge alors que l'indicateur du statut de la tondeuse est rouge fixe.	<ul style="list-style-type: none"> <li>La fiche du chargeur n'est pas correctement insérée dans le port de charge de la tondeuse.</li> </ul>	<ul style="list-style-type: none"> <li>Rebranchez la prise du chargeur pour voir si la tondeuse peut être chargée normalement.</li> </ul>
	<ul style="list-style-type: none"> <li>Il n'y a pas de courant dans les prises murales.</li> </ul>	<ul style="list-style-type: none"> <li>Aucune action n'est nécessaire. Attendez que le courant revienne.</li> </ul>
	<ul style="list-style-type: none"> <li>Mauvais fonctionnement du chargeur.</li> </ul>	<ul style="list-style-type: none"> <li>Contactez le service client EGO pour une inspection et faites réparer le chargeur si nécessaire.</li> </ul>
	<ul style="list-style-type: none"> <li>Le port de charge de la tondeuse est défectueux.</li> </ul>	<ul style="list-style-type: none"> <li>Contactez le service client EGO.</li> </ul>
Le temps de charge via le port de charge de la tondeuse est trop long.	<ul style="list-style-type: none"> <li>La recharge à l'aide de l'adaptateur EGO ACA1000 dure longtemps.</li> </ul>	<ul style="list-style-type: none"> <li>Utilisez le chargeur EGO CHV1600E pour charger directement la tondeuse autoportée à rayon de braquage zéro.</li> </ul>
La batterie ne peut pas être complètement chargée via le port de charge de la tondeuse.	<ul style="list-style-type: none"> <li>Dysfonctionnement du micrologiciel de la tondeuse ou panne du chargeur/de la batterie.</li> </ul>	<ul style="list-style-type: none"> <li>Réinitialisez le chargeur en le débranchant et en attendant pendant une durée supérieure à quelques minutes. Rebranchez ensuite la fiche sur l'alimentation. Si cela ne résout pas le problème, contactez le service client EGO.</li> </ul>












PROBLÈME	CAUSE	SOLUTION
La tondeuse ne peut pas être démarrée après le nettoyage.	<ul style="list-style-type: none"> <li>Nettoyage inadéquat, tel que de l'eau sur les composants électriques, l'écran LCD, etc.</li> </ul>	<ul style="list-style-type: none"> <li>Suivez les consignes de la partie « <b>ENTRETIEN GÉNÉRAL</b> » pour nettoyer correctement la tondeuse.</li> </ul>
		<ul style="list-style-type: none"> <li>Si la tondeuse a pris la pluie accidentellement, laissez-la sécher à l'air libre ou utilisez de l'air comprimé pour la sécher.</li> </ul>
Le plateau de la tondeuse se bouche rapidement.	<ul style="list-style-type: none"> <li>Le plateau de coupe n'a pas été correctement nettoyé après utilisation.</li> </ul>	<ul style="list-style-type: none"> <li>Nettoyez le plateau de coupe après chaque utilisation, en suivant les consignes de la rubrique « <b>UTILISATION DU PORT DE LAVAGE POUR NETTOYER LE PLATEAU</b> ».</li> </ul>
La tondeuse perd facilement de la traction lorsqu'elle monte sur une pente.	<ul style="list-style-type: none"> <li>Les pneus des roues arrière sont usés.</li> </ul>	<ul style="list-style-type: none"> <li>Cherchez un centre local d'entretien pour remplacer les pneus de roue.</li> </ul>
	<ul style="list-style-type: none"> <li>La tondeuse est utilisée sur une pente raide.</li> </ul>	<ul style="list-style-type: none"> <li>La tondeuse ne doit pas être utilisée pour tondre des pentes d'un degré plus important que celui recommandé.</li> </ul>
Lorsque la tondeuse est arrêtée sur une pente avec la pédale de frein de stationnement enfoncée, la tondeuse continue de glisser vers le bas de la pente.	<ul style="list-style-type: none"> <li>Les composants du frein sont excessivement usés en raison d'une mauvaise utilisation de la tondeuse.</li> </ul>	<ul style="list-style-type: none"> <li>Contactez le service client EGO pour la réparation.</li> </ul>
Il n'y a pas d'eau provenant du port de lavage lorsque vous essayez de laver le plateau.	<ul style="list-style-type: none"> <li>Le raccord rapide du port de lavage n'est pas correctement monté sur le port de lavage.</li> </ul>	<ul style="list-style-type: none"> <li>Remettez en place le raccord rapide du port de lavage jusqu'à ce que vous entendiez un déclic clair après avoir poussé fermement. Si cela ne fonctionne pas, contactez le service client EGO.</li> </ul>
Un bruit anormal se fait entendre lorsque vous poussez manuellement la tondeuse sans la démarrer.	<ul style="list-style-type: none"> <li>Le bruit provient des aimants à l'intérieur du moteur d'entraînement.</li> </ul>	<ul style="list-style-type: none"> <li>Ce phénomène est normal et aucune action n'est nécessaire.</li> </ul>
Le volant ne tourne pas.	<ul style="list-style-type: none"> <li>L'assemblage du volant est obstrué par des débris.</li> </ul>	<ul style="list-style-type: none"> <li>Retirez les débris le cas échéant.</li> </ul>

PROBLÈME	CAUSE	SOLUTION
La tondeuse ne tourne pas à gauche/droite lorsque vous tournez le volant.	<ul style="list-style-type: none"> <li>▪ Défaillance de composants électroniques ou mécaniques.</li> </ul>	<ul style="list-style-type: none"> <li>▪ Contactez le service client EGO pour la réparation.</li> </ul>
La tondeuse ne s'arrête pas lorsque vous relâchez la pédale d'accélérateur.	<ul style="list-style-type: none"> <li>▪ Le chemin de retour de la pédale d'accélérateur est obstrué par des débris.</li> </ul>	<ul style="list-style-type: none"> <li>▪ Retirez les débris le cas échéant.</li> </ul>
	<ul style="list-style-type: none"> <li>▪ Le bouton du régulateur de vitesse est enfoncé par inadvertance pendant la conduite. La tondeuse est en mode de régulation de vitesse</li> </ul>	<ul style="list-style-type: none"> <li>▪ Vérifiez si l'icône du régulateur de vitesse (CCS) est allumée sur l'écran LCD et quittez le mode si nécessaire. Consultez la rubrique « <b>UTILISATION DU RÉGULATEUR DE VITESSE (CCS)</b> »</li> </ul>
La fonction CCS ne peut pas être activée ou désactivée.	<ul style="list-style-type: none"> <li>▪ Le bouton du régulateur de vitesse n'est pas enfoncé correctement.</li> </ul>	<ul style="list-style-type: none"> <li>▪ Appuyez sur le bouton du régulateur de vitesse jusqu'à ce que l'icône CCS s'allume sur l'écran LCD ou en disparaisse.</li> </ul>
La tondeuse ne recule pas lorsque la ou les palettes gauche/droite sont tirées vers l'opérateur.	<ul style="list-style-type: none"> <li>▪ L'indicateur d'état de la tondeuse n'est pas vert et la tondeuse n'est pas prête à rouler.</li> </ul>	<ul style="list-style-type: none"> <li>▪ Suivez les consignes de la partie « DÉMARRAGE DE LA TONDEUSE » pour que l'indicateur d'état de la tondeuse s'allume en vert et que la tondeuse soit prête à démarrer.</li> </ul>
	<ul style="list-style-type: none"> <li>▪ La ou les palettes gauche/droite ne sont pas correctement tirées vers l'opérateur.</li> </ul>	<ul style="list-style-type: none"> <li>▪ La palette gauche/droite ou les deux palettes simultanément doivent être tirées vers l'opérateur jusqu'à ce qu'un « clic » se fasse entendre.</li> </ul>
	<ul style="list-style-type: none"> <li>▪ La ou les palettes gauche/droite ne sont pas maintenues tirées vers l'opérateur.</li> </ul>	<ul style="list-style-type: none"> <li>▪ Pour conduire en marche arrière, au moins une des palettes doit être maintenue tirée vers l'opérateur.</li> </ul>
	<ul style="list-style-type: none"> <li>▪ La ou les palettes gauche/droite sont cassées.</li> </ul>	<ul style="list-style-type: none"> <li>▪ Contactez un technicien qualifié pour la réparation.</li> </ul>

## STATUT DE LA TONDEUSE ET CODES DE DÉFAUT

FR

Affichage LCD	Description	Code d'erreur sur l'écran LCD	Indicateur de statut de la tondeuse	Signal sonore	Cause	Solution
	L'icône LED s'affiche sur l'écran LCD.	n/a	DÉSACTIVÉ	Non	Les phares, les feux latéraux et les feux arrière sont allumés par l'interrupteur de lumière LED.	Il s'agit d'un fonctionnement normal. Aucune action n'est nécessaire.
	L'icône USB s'affiche sur l'écran LCD.	n/a	DÉSACTIVÉ	Non	L'icône USB s'allume pour indiquer qu'un périphérique USB peut fonctionner après le démarrage correct de la tondeuse.	Il s'agit d'un fonctionnement normal. Aucune action n'est nécessaire.
	L'icône de jauge de carburant s'affiche sur l'écran LCD	n/a	DÉSACTIVÉ	Non	Cela indique la capacité de charge moyenne des batteries insérées	Il s'agit d'un fonctionnement normal. Aucune action n'est nécessaire.
	L'icône du compteur horaire s'affiche sur l'écran LCD.	n/a	DÉSACTIVÉ	Non	Cela indique le temps de conduite total de la tondeuse, en heures, et ne peut être réinitialisée.	Il s'agit d'un fonctionnement normal. Aucune action n'est nécessaire.
	L'icône de l'indicateur de charge s'affiche dans la plage ECO.	n/a	DÉSACTIVÉ	Non	Cela indique la charge actuelle de la tondeuse.	Il s'agit d'un fonctionnement normal. Aucune action n'est nécessaire.
	L'icône de marche arrière s'affiche sur l'écran LCD.	n/a	DÉSACTIVÉ	Non	Cela indique que la tondeuse recule.	Il s'agit d'un fonctionnement normal. Aucune action n'est nécessaire.

Affichage LCD	Description	Code d'erreur sur l'écran LCD	Indicateur de statut de la tondeuse	Signal sonore	Cause	Solution
	L'icône de la clé de sécurité clignote.	n/a	DÉSACTIVÉ	Non	La clé de sécurité n'est pas insérée.	Insérez la clé de sécurité puis appuyez sur le bouton MARCHE / ARRÊT et maintenez-le enfoncé pour mettre la tondeuse en marche.
					L'assemblage du boîtier du panneau de commande de la clé est cassé.	Faites effectuer les réparations par un technicien qualifié.
	L'icône d'un compartiment de batterie clignote.	n/a	DÉSACTIVÉ	Non	Une batterie en décharge est en surintensité.	Aucune action n'est nécessaire. La tondeuse peut continuer à fonctionner si la capacité nominale d'ampérage combinée de la batterie, hors surintensité, est conforme aux exigences. Une fois que la batterie en surintensité revient à la normale, elle se met immédiatement à alimenter la tondeuse et l'icône disparaît.
	L'icône du compartiment de la batterie vide clignote	n/a	DÉSACTIVÉ	Non	La capacité de la batterie n'est pas suffisante pour permettre à la tondeuse de fonctionner.	Pour démarrer cette tondeuse, utilisez suffisamment de batteries EGO en suivant les consignes de la rubrique « <b>INSÉRER/RETIRER LA BATTERIE</b> » de ce manuel.

Affichage LCD	Description	Code d'erreur sur l'écran LCD	Indicateur de statut de la tondeuse	Signal sonore	Cause	Solution
	L'indicateur de surcharge clignote	n/a	Clignote en rouge	Un bip	Le moteur de la lame est surchargé.	Augmentez la hauteur de coupe du plateau ou ralentissez la vitesse de conduite pour réduire la charge de la tondeuse.
					La goulotte d'éjection latérale est obstruée par de l'herbe et des débris.	Nettoyez la goulotte d'éjection latérale après chaque utilisation.
					Il y a une interférence entre la lame et le carénage de la tondeuse.	Contactez le service client EGO
	L'icône de température clignote.	n/a	DÉSACTIVÉ	Un bip	La tondeuse est en surchauffe.	Réduisez la charge de la tondeuse en augmentant la hauteur de coupe du plateau ou en ralentissant la vitesse de la lame/d'entraînement. Faites une pause et laissez la tondeuse refroidir.
					La tondeuse est trop froide.	Veillez ne pas faire de tentatives répétées qui pourraient endommager la machine. Stockez toujours la tondeuse et les batteries dans un environnement chaud. Redémarrez la tondeuse lorsqu'elle est réchauffée.




Affichage LCD	Description	Code d'erreur sur l'écran LCD	Indicateur de statut de la tondeuse	Signal sonore	Cause	Solution
	<p>L'icône de température et l'icône d'un compartiment de batterie occupé clignotent en même temps.</p>	n/a	DÉSACTIVÉ	Non	La batterie dans le compartiment correspondant est en surchauffe.	<p>1. La tondeuse peut continuer à fonctionner si capacité nominale d'ampérage combinée de la batterie, à l'exclusion de la batterie surchauffée, est conforme aux exigences. Une fois que la batterie surchauffée revient à une température normale, elle alimente immédiatement la tondeuse.</p> <p>2. Si la capacité nominale d'ampérage combinée de la batterie n'est pas suffisante, la tondeuse ne fonctionnera pas tant que d'autres batteries ne seront pas insérées dans les compartiments vacants.</p> <p>3. Réduisez la charge de la tondeuse en augmentant la hauteur de coupe du plateau ou en ralentissant la tonte lors de la reprise de l'opération.</p>
	<p>Les icônes de chaque compartiment de batterie occupé, l'indicateur de faible charge et la jauge de carburant clignotent simultanément toutes les secondes sur l'écran LCD. La première LED de la jauge de carburant et l'indicateur d'état de la tondeuse clignotent.</p>	n/a	Clignote en rouge	Continue à émettre des bips jusqu'à ce que l'interrupteur de la prise de force soit poussé vers le bas.	Les batteries sont presque vides et la tondeuse est en mode de secours.	<p>Arrêtez de travailler et retournez dans la zone de charge de la batterie.</p> <p><b>REMARQUE :</b> Lorsque la tondeuse est en mode de secours, les lames se mettent automatiquement à tourner à basse vitesse et l'indicateur sonore retentit. L'opérateur doit pousser l'interrupteur de prise de force vers le bas pour arrêter les moteurs de lame. L'indicateur sonore cessera de bipier après l'arrêt des lames.</p>

Affichage LCD	Description	Code d'erreur sur l'écran LCD	Indicateur de statut de la tondeuse	Signal sonore	Cause	Solution
	L'icône de chaque compartiment de batterie occupé et l'indicateur de faible charge clignotent toutes les demi-secondes, la première LED de la jauge de carburant clignote également en rouge toutes les demi-secondes.	n/a	Clignote en rouge	Continue à émettre des bips	Les parcs de batteries sont presque épuisés.	La tondeuse cesse immédiatement de fonctionner. L'opérateur doit transporter la tondeuse jusqu'à la zone de charge de la batterie pour la recharger.
	L'icône de stationnement automatique clignote sur l'écran LCD.	n/a	DÉSACTIVÉ	Continue à émettre des bips	La tondeuse est garée sur une pente et l'opérateur laisse la tondeuse sans mettre la pédale de frein de stationnement en position de freinage.	Placez la pédale de frein en position de freinage. L'icône de stationnement automatique s'éteint et l'indicateur sonore cesse de bipper.
	L'icône de la pédale de frein s'affiche sur l'écran LCD	n/a	DÉSACTIVÉ	Non	La pédale du frein de stationnement est placée en position de freinage.	Relâchez-la avant de démarrer la tondeuse.

**REMARQUE :** Si un code d'erreur apparaît sur l'écran LCD, retirez toutes les batteries et réinsérez-les quelques minutes plus tard. Si cela ne résout pas le problème, suivez les consignes de dépannage en fonction du code d'erreur indiqué ci-dessous.

Affichage LCD	Description	Code d'erreur sur l'écran LCD	Indicateur de statut de la tondeuse	Signal sonore	Cause	Solution
	L'icône du capteur de siège s'affiche sur l'écran LCD	n/a	DÉSACTIVÉ	Non	L'opérateur n'est plus assis sur le siège ou le système de verrouillage de sécurité du siège est déconnecté.	Si, alors que l'opérateur est assis sur le siège, l'icône est allumée, arrêtez immédiatement d'utiliser la tondeuse et vérifiez la connexion du siège. Si la connexion du siège avec la tondeuse est confirmée comme étant correcte, veuillez contacter un technicien de service qualifié pour les réparations.



Affichage LCD	Description	Code d'erreur sur l'écran LCD	Indicateur de statut de la tondeuse	Signal sonore	Cause	Solution
	L'icône de l'interrupteur de prise de force clignote	n/a	DÉSACTIVÉ	Non	Le moteur de la lame a été interrompu en cours de fonctionnement et l'interrupteur de la prise de force n'est pas en position d'arrêt.	Avant de redémarrer la tondeuse, poussez l'interrupteur de prise de force vers le bas pour arrêter les moteurs de lame. Veuillez consulter la section « <b>GUIDE DE DÉPANNAGE</b> » de ce manuel pour référence.
	L'icône de régénération d'énergie clignote occasionnellement.	n/a	DÉSACTIVÉ	Non	L'énergie cinétique générée lors du freinage ou de la conduite en descente est convertie en électricité pour charger les batteries.	Il s'agit d'un fonctionnement normal. Aucune action n'est nécessaire.
	L'icône du régulateur de vitesse (CCS) clignote	n/a	DÉSACTIVÉ	Non	La fonction CCS (système de régulation de vitesse) ne fonctionne pas.	La fonction de régulation de vitesse (CCS) n'a pas pu être réglée lorsque la tondeuse roule à très basse vitesse ou en marche arrière.

Affichage LCD	Description	Code d'erreur sur l'écran LCD	Indicateur de statut de la tondeuse	Signal sonore	Cause	Solution	
Voir « Code d'erreur »	Le moteur d'entraînement gauche ne tourne pas.	Le moteur d'entraînement gauche contrôlé par le PCBA est en panne.	413	DÉSACTIVÉ	Un bip	Défaillance du PCBA	Faites effectuer les réparations par un technicien qualifié.
		La fiche (triphasee, fil d'alimentation) reliant le moteur d'entraînement gauche au PCBA correspondant est desserrée.	317	DÉSACTIVÉ	Un bip	Connexion lâche	
		La fiche (Six broches, fil de signal) reliant le moteur d'entraînement gauche au PCBA correspondant est desserrée.	301	DÉSACTIVÉ	Un bip	Connexion lâche	
		Le moteur d'entraînement gauche est en panne.	317	DÉSACTIVÉ	Un bip	Défaillance du moteur	

Affichage LCD	Description	Code d'erreur sur l'écran LCD	Indicateur de statut de la tondeuse	Signal sonore	Cause	Solution	
Voir « Code d'erreur »	Le moteur d'entraînement droit ne tourne pas	Le moteur d'entraînement droit contrôlé par le PCBA est en panne.	313	DÉSACTIVÉ	Un bip	Défaillance du PCBA	Faites effectuer les réparations par un technicien qualifié.
		La fiche (triphasee, fil d'alimentation) reliant le moteur d'entraînement droit au circuit imprimé correspondant est desserrée.	417	DÉSACTIVÉ	Un bip	Connexion lâche	
		La fiche (six broches, fil de signal) reliant le moteur d'entraînement droit au PCBA correspondant est desserrée.	401	DÉSACTIVÉ	Un bip	Connexion lâche	
		Le moteur d'entraînement droit est en panne.	417	DÉSACTIVÉ	Un bip	Défaillance du moteur	
Voir « Code d'erreur »	Le moteur de la lame gauche ne tourne pas	Le moteur de la lame gauche contrôlé par le circuit imprimé est en panne	607	n/a	Un bip	Défaillance du PCBA	Faites effectuer les réparations par un technicien qualifié.
		La fiche (triphasee, fil d'alimentation) reliant le moteur de la lame gauche au circuit imprimé correspondant est lâche.	509	n/a	Un bip	Connexion lâche	Inspectez d'abord la lame. S'il est desserré, serrez le boulon avec le couple recommandé. Sinon, faites effectuer les réparations par un technicien qualifié.
		Le moteur de la lame gauche est en panne.	509	n/a	Un bip	Défaillance du moteur	

Affichage LCD	Description	Code d'erreur sur l'écran LCD	Indicateur de statut de la tondeuse	Signal sonore	Cause	Solution	
Voir « Code d'erreur »	Le moteur de la lame droite ne tourne pas	Le moteur de la lame droite contrôlé par le circuit imprimé est en panne	507	n/a	Un bip	Défaillance du PCBA	Faites effectuer les réparations par un technicien qualifié.
		La fiche (triphasee, fil d'alimentation) reliant le moteur de la lame droite au circuit imprimé correspondant est lâche.	609	n/a	Un bip	Connexion lâche	Inspectez d'abord la lame. S'il est desserré, serrez le boulon avec le couple recommandé. Sinon, faites effectuer les réparations par un technicien qualifié.
		Le moteur de la lame droite tombe en panne.	609	n/a	Un bip	Défaillance du moteur	
Voir « Code d'erreur »	La pédale d'accélérateur est en panne	311/ 411 307/ 407	DÉSACTIVÉ	Un bip	Défaillance du PCBA Connexion lâche	Faites effectuer les réparations par un technicien qualifié.	
Voir « Code d'erreur »	Le volant est en panne	312/ 412	DÉSACTIVÉ	Un bip	Défaillance du PCBA Connexion lâche	Faites effectuer les réparations par un technicien qualifié.	
Voir « Code d'erreur »	Le frein de stationnement est en panne, l'outil ne peut pas être conduit.	Le circuit imprimé du frein de stationnement, qui se trouve dans le châssis avant, est cassé.	309/ 409	DÉSACTIVÉ	Un bip	Défaillance du PCBA	Faites effectuer les réparations par un technicien qualifié.
		Le commutateur et/ou le fil du frein de stationnement est cassé.	801	DÉSACTIVÉ	Un bip	Défaillance du fil/interrupteur	

Affichage LCD	Description	Code d'erreur sur l'écran LCD	Indicateur de statut de la tondeuse	Signal sonore	Cause	Solution
DÉSACTIVÉ	Défaut de protection de charge	n/a	Rouge fixe	n/a	Le port de charge est en circuit ouvert.	Faites effectuer les réparations par un technicien qualifié.
		n/a	Rouge fixe	n/a	Il n'y a pas d'alimentation électrique.	Vérifiez la prise murale pour voir si elle est alimentée en 220 V-240 V et si elle est en bon état.
		n/a	Rouge fixe	n/a	Le fusible est grillé.	Faites effectuer les réparations par un technicien qualifié.
Voir « Code d'erreur »	Erreur du port de charge	204	n/a	Un bip	Le port de charge est en circuit ouvert.	Faites effectuer les réparations par un technicien qualifié.
Voir « Code d'erreur »	L'assemblage du boîtier de batterie ne fonctionne pas.	217	n/a	Un bip	La source d'alimentation du boîtier de batterie est cassée. Les phares LED et l'USB ne fonctionnent pas.	Faites effectuer les réparations par un technicien qualifié.
		310/ 410	DÉSACTIVÉ	Un bip	La connexion entre les fils de type C du boîtier de batterie et les autres fils de type C de la tondeuse ne fonctionne pas.	
		201/ 202/ 203	DÉSACTIVÉ	Un bip	Le BMS du boîtier de batterie est cassé.	
Voir « Code d'erreur »	Défaut de l'interrupteur marche/arrêt	314/ 414	DÉSACTIVÉ	Un bip	Défaillance du circuit imprimé de l'interrupteur ou mauvaise connexion filaire de l'interrupteur marche/arrêt.	Faites effectuer les réparations par un technicien qualifié.

FR

Affichage LCD	Description	Code d'erreur sur l'écran LCD	Indicateur de statut de la tondeuse	Signal sonore	Cause	Solution
Voir « Code d'erreur »	Défaut de l'écran LCD	315/ 415	DÉSACTIVÉ	Un bip	L'ensemble LCD est cassé ou la connexion des fils de l'ensemble LCD est mauvaise.	Faites effectuer les réparations par un technicien qualifié.

## GARANTIE

### POLITIQUE DE GARANTIE EGO

Visitez le site Web [egopowerplus.com](http://egopowerplus.com) pour consulter les conditions complètes de la politique de garantie EGO.

## ¡LEA TODAS LAS INSTRUCCIONES!



LEA EL MANUAL DEL USUARIO

ES

## SÍMBOLO DE SEGURIDAD

El propósito de los símbolos de seguridad es atraer su atención hacia posibles peligros. Los símbolos de seguridad y las explicaciones que los acompañan requieren su máxima atención y comprensión. Por sí solos, los símbolos de advertencia no eliminan los posibles peligros. Las instrucciones y advertencias que proporcionan no sustituyen a las medidas adecuadas de prevención de accidentes.

**⚠ ADVERTENCIA:** Antes de utilizar esta herramienta, asegúrese de haber leído y entendido perfectamente todas las instrucciones que aparecen en este manual del usuario, incluidos todos los símbolos de aviso sobre seguridad, como «PELIGRO», «ADVERTENCIA» y «PRECAUCIÓN». Si no se observan todas las instrucciones que se indican a continuación existe riesgo de incendio, electrocución y lesiones graves.

## SIGNIFICADO DE LOS SÍMBOLOS

Esta página muestra y describe los símbolos de seguridad que puede haber en este producto. Asegúrese de leer, comprender y cumplir todas las instrucciones que se indican en la máquina antes de proceder a su montaje y utilización.

## SÍMBOLOS DE SEGURIDAD

	Aviso de seguridad		Lea y comprenda el manual del usuario
	Protección ocular		Mantener los dispositivos de seguridad
	PELIGRO – Riesgo por pendiente pronunciada		PELIGRO – Mantener a otras personas alejadas de las cuchillas
	No llevar nunca niños		Mirar hacia atrás al retroceder
	ADVERTENCIA - No utilice esta máquina en pendientes superiores a 12°		PELIGRO – Objetos lanzados
	ADVERTENCIA – MANTENGA LAS MANOS Y LOS PIES ALEJADOS		Nivel de potencia acústica garantizado. Cumple la directiva de la Comunidad Europea.





No pisar



Los productos eléctricos no deben eliminarse con la basura doméstica. Llévelos a un centro de reciclaje autorizado.

ES



Este producto está en conformidad con las directivas aplicables de la CE.



PRECAUCIÓN – No mire hacia la lámpara en funcionamiento



Corriente continua



Este producto está en conformidad con la legislación aplicable del Reino Unido.

- kPa Kilopascal
- V Voltio
- in Pulgada
- Nm Newtonmetro
- °C Celsius
- km/h Kilómetros por hora

- rpm Revoluciones por minuto
- m Metros
- cm Centímetros
- mm Milímetros
- kg Kilogramo
- IPX4 Grado de protección contra la penetración

## SÍMBOLOS DE SEGURIDAD



Es necesario tener en cuenta la información



La acción indicada se detiene

## ESPECIFICACIONES

Tensión	56 V	
Tamaño de la plataforma	107 cm	
Tamaño de las ruedas	Delante	279,4 x 101,6 – 127 mm
	Detrás	457,2 x 241,3 – 203,2 mm
Presión de los neumáticos en frío	Delante	222,1 kPa
	Detrás	110,3 kPa
Radio de giro	0	
Velocidad de la cuchilla (rpm)	2400; 2600; 2800; 3000	

Velocidad máxima de conducción	Avance	4,8 km/h, 8,1 km/h, 9,7 km/h, 11,3 km/h (12,8 km/h en el modo de Viaje)
	Retroceso	Hasta 5,6 km/h
Carga	Cargador (opcional)	CHV1600E
	Adaptador (opcional)	ACA1000
	Rango de temperatura de carga	De 5°C a 40°C
Ajuste de la altura de corte (10 posiciones)	De 25 a 100 mm	
Temperatura de funcionamiento	De 0°C a 40°C	

Temperatura de almacenamiento	De -20°C a 70°C	
Peso (sin batería)	196 kg	
Nivel de potencia acústica medido $L_{WA}$	96,44 dB(A) K=0,68 dB(A)	
Nivel de presión acústica medido a la altura del oído del usuario $L_{PA}$	84,3 dB(A) K=3,0 dB(A)	
Nivel de potencia acústica garantizado $L_{WA}$ (medido según 2000/14/CE)	100 dB(A)	
Nivel de vibraciones $a_h$	Mano	1,221 m/s <sup>2</sup> K=1,5 m/s <sup>2</sup>
	Cuerpo	0,568 m/s <sup>2</sup> K=1,5 m/s <sup>2</sup>

- El valor de vibración total ha sido medido de acuerdo con el método de prueba estándar y se puede utilizar para comparar herramientas.
- El valor total de vibración declarado se puede usar además en una evaluación preliminar del grado de exposición.

**AVISO:** Las vibraciones generadas durante el uso real de la herramienta eléctrica pueden diferir del valor declarado en función de la manera en que se utilice. Como protección, el usuario debería utilizar guantes y protectores auditivos en condiciones reales de uso.

## ACCESORIOS RECOMENDADOS

**ADVERTENCIA:** Utilice solo piezas idénticas a las originales de la lista siguiente. La utilización de recambios que no cumplan las especificaciones de los equipos originales podría provocar un funcionamiento incorrecto y reducir la seguridad de la herramienta.

NOMBRE DE LA PIEZA	N.º DE MODELO
Cuchilla estándar	AB4200
Cuchilla de elevación alta	AB4201
Adaptador para triturado	AMP4200

Kit de bolsa colectora de hierba	ABK4200-A
Parachoques trasero	AMB1000
Caja de carga	AMG1000
Parasol	AMS1000

**ES**

## DESCRIPCIÓN

### CONOZCA EL CORTACÉSPED (Fig. A1)

- Asiento
- Puerto de carga
- Unidad de potencia
- Luz trasera LED
- Compartimento de almacenamiento
- Luz lateral LED
- Rueda trasera (rueda motriz)
- Conexión de lavado
- Plataforma
- Protector de la plataforma
- Rueda antidesbroce
- Rueda delantera
- Pedal de freno de estacionamiento
- Luces de circulación diurna
- Faros LED
- Acelerador
- Área de apoyo de los pies
- Tolva de descarga lateral
- Palanca de ajuste de la altura de la plataforma
- Mando de ajuste de la suspensión del asiento
- Volante
- Caja lateral derecha
- Palanca de ajuste de la posición del asiento
- Interruptor de toma de fuerza
- Botón de arranque/parada
- Llave de seguridad
- Ranura de almacenamiento para teléfono

28. Soportes para vasos
29. Palanca izquierda
30. Indicador del estado del cortacésped
31. Pantalla LCD
32. Palanca derecha
33. Botón de ajuste de la velocidad de las cuchillas
34. Botón CCS
35. Botón del modo de conducción
36. Interruptor de las luces LED
37. Botón de ajuste de la velocidad de conducción
38. Botón de liberación de la cubierta de la unidad de alimentación
39. Cubierta de la unidad de potencia
40. Unidad de alimentación con seis compartimentos de batería
41. Botón de liberación de la batería
42. Enganche
43. Cubierta de montaje de accesorios
44. Puerto USB

### CONOZCA LA PANTALLA LCD (Fig. A2)

Consulte el apartado «REFERENCIA DEL ESTADO DEL CORTACÉSPED Y CÓDIGOS DE ERROR» para obtener más información sobre los símbolos e indicadores en la pantalla LCD.

1. Icono inverso
2. Icono de CCS
3. Símbolo de la llave de seguridad
4. Símbolo de las luces LED
5. Símbolo de estacionamiento automático
6. Símbolo de USB
7. Indicador de la velocidad de las cuchillas
8. Indicador del estado de los dispositivos de seguridad
9. Contador de horas
10. Símbolo de compartimento de batería vacante
11. Icono de temperatura
12. Icono del compartimento de la batería ocupado

13. Modo de desplazamiento
14. Indicador de código de error
15. Indicador de sobrecarga
16. Indicador de baja potencia
17. Indicador de energía
18. Indicador de carga
19. Indicador de la velocidad de conducción

## DESEMBALAJE

**AVISO:** Guarde los materiales de embalaje hasta haber examinado detenidamente el producto y comprobado su funcionamiento correcto. Si alguna pieza de la lista de contenido está instalada en la máquina, póngase en contacto con el servicio de atención al cliente de EGO inmediatamente.

**AVISO:** Excepto las herramientas en la lista de contenido siguiente, todas las demás herramientas que se mencionan en los manuales solo están recomendadas, pero no incluidas.

**AVISO:** No quite el bloque de espuma debajo del volante antes de que el volante esté instalado correctamente. La vibración durante el movimiento puede causar daños en el volante.

### LISTA DE EMBALAJE (FIG. B)

B-1	Tractor cortacésped de giro cero	B-2	Asiento
B-3	Adaptador para triturado	B-4	Tornillos con cabeza de hexágono interior (2 de reserva)
B-5	Llave Allen	B-6	Llave de vaso
B-7	Llave de extremo abierto	B-8	Llaves de seguridad
B-9	Acoplamiento rápido de la conexión de lavado	B-10	Manuales del operador

## MONTAJE

### INSTALACIÓN DEL ASIENTO (Fig. C1 – C4)

**⚠ ADVERTENCIA:** El sistema de enclavamiento de seguridad no debe desconectarse ni evitarse. De lo contrario, el cortacésped se podría poner en marcha inesperadamente y provocar lesiones personales.

**AVISO:** Por su seguridad, el cortacésped podría detenerse si el interruptor del asiento se desconecta durante la conducción. En tal caso, consulte el apartado «**SOLUCIÓN DE PROBLEMAS**» para obtener más información.

C1-1	Conexión	C1-2	Enchufe
C1-3	Cable	C2-1	Brazo del asiento
C2-2	Base de suspensión	C2-3	Llave Allen
C2-4	Tornillos con cabeza de hexágono interior	C2-5	Palanca de ajuste de la posición del asiento
C3-1	Carriles de acero	C3-2	Llave Allen
C3-3	Tornillos con cabeza de hexágono interior	C4-1	Gancho

### INSTALACIÓN DEL VOLANTE (fig. C5 – C6)

C5-1	Perno de bloqueo	C5-2	Barra
C6-1	Bloque de localización	C6-2	Ranura
C6-3	Protector del volante		

### CONEXIÓN DEL TAPÓN DE ACOLCHADO (Fig. C7)

C7-1	Tolva de descarga lateral	C7-2	Adaptador para triturado
C7-3	Resorte móvil		

## AJUSTE

### ANTES DEL AJUSTE (Fig. D1)

#### AJUSTE DE LA ALTURA DE LA PLATAFORMA DE CORTE (fig. D2)

ES

#### AJUSTE DE LAS RUEDAS ANTIDESBROCE (fig. D3 – D6)

D3-1	Rueda antidesbroce	D5-1	Tuerca
D5-2	Perno de tope	D6-1	Indicación de la altura de la plataforma

#### AJUSTE DEL ASIENTO (Fig. D7)

D7-1	Palanca de ajuste de la posición del asiento	D7-2	Mando de ajuste de la suspensión del asiento
------	--	------	--

#### AJUSTE DEL VOLANTE (fig. D8)

D8-1	Perno de bloqueo	D8-2	Barra
D8-3	Bloque de localización	D8-4	Ranura

## FUNCIONAMIENTO

### ANTES DE LA OPERACIÓN (Fig. E1)

#### AJUSTE DEL FRENO DE ESTACIONAMIENTO (fig. E2)

E2-1	Posición sin accionar el freno	E2-2	Posición de frenado
------	--------------------------------	------	---------------------

**AVISO:** No presione nunca el pedal del freno de estacionamiento para reducir la velocidad. Una vez que el pedal del freno de estacionamiento está lo suficientemente presionado pero no en la posición de estacionamiento completa, el cortacésped dejará de moverse sobre una superficie plana. Sin embargo, si esto sucede en una pendiente, el cortacésped puede deslizarse por la pendiente.

## INSTALAR/QUITAR LA BATERÍA (fig. E3 – E6)

Para poner en marcha este cortacésped, se necesitan baterías EGO con un total de 15 Ah (2 x BA4200T/BA4200T) como mínimo. Para obtener un rendimiento óptimo, recomendamos usar baterías EGO con un total de 30 Ah como mínimo.

ES

E3-1	Botón de liberación de la tapa	E5-1	Botón de liberación de la batería
------	--------------------------------	------	-----------------------------------

## CARGA DEL CORTACÉSPED

Utilice únicamente las baterías y cargadores recomendados

- Cargue la(s) batería(s) por separado (fig. E7)

**AVISO:** Consulte los manuales correspondientes de la batería y el cargador para obtener instrucciones detalladas.

- Cargue la(s) batería(s) a través del puerto de carga (fig. E8-E10)

E10-1	Tapa de protección contra el polvo	E10-2	Puerto de carga
-------	------------------------------------	-------	-----------------

## PRUEBA DEL SISTEMA DE ENCLAVAMIENTO DE SEGURIDAD

- Para comprobar el sistema de las cuchillas y la plataforma (fig. E11 – E12)
- Para comprobar el sistema de conducción (fig. E13 – E14)

En caso de que el sistema de las cuchillas y la plataforma y/o el sistema de conducción no se detengan cuando el usuario no está en el asiento, y si no se puede determinar la causa después de confirmar que el enchufe está bien conectado a la toma del asiento, póngase en contacto inmediatamente con el centro de atención al cliente de EGO.

## LISTA DE VERIFICACIÓN ANTES DE LA OPERACIÓN

- Asegúrese de que en el área de trabajo no haya niños ni otras personas o animales.
- Despeje el área de trabajo retirando los objetos que podrían salir despedidos por la acción de las cuchillas del cortacésped.

- Limpie los residuos del cortacésped.
- Compruebe si hay elementos de sujeción sueltos.
- Compruebe que todos los dispositivos de protección estén en su lugar y funcionen correctamente.
- Verifique visualmente los neumáticos si están inflados.
- Comprobar el funcionamiento del freno.
- Ajuste la altura de la plataforma a la posición de corte deseada que sea más conveniente para el césped, y ajuste las ruedas antidesbroce adecuadamente.
- Ajuste la posición del asiento y asegúrese de que se puedan alcanzar ambos pedales.
- Ajuste el volante a la posición deseada si es necesario.
- Compruebe el nivel de carga de la batería.
- Compruebe el sistema de enclavamiento de seguridad.

## ARRACAR EL CORTACÉSPED (fig. E15 – fig. E16)

**⚠ ADVERTENCIA:** Evite los arranques, paradas y giros bruscos, así como la velocidad excesiva, especialmente cuando esté aprendiendo a usar el cortacésped. El cortacésped puede girar rápidamente, lo que podría hacerle perder el control y provocar lesiones graves o daños materiales.

**⚠ ADVERTENCIA:** Antes de poner en marcha el cortacésped, asegúrese de que las cuchillas estén desactivadas en el transcurso de 5 s cuando empuje hacia abajo el interruptor PTO. Si las cuchillas no se paran, no utilice el cortacésped y póngase en contacto inmediatamente con el servicio de atención al cliente de EGO.

**AVISO:** Siga las indicaciones de la fig. E17 y la fig. E18 para ajustar la velocidad de conducción mínima y el modo de conducción ESTÁNDAR hasta que sea totalmente capaz de usar el cortacésped en todas las situaciones.

El cortacésped guardará el modo de conducción, la velocidad de conducción y la calibración del volante y los presentará cuando se reinicie.

### AJUSTE DEL MODO DE CONDUCCIÓN (Fig. E17)

- **CONTROL:** baja aceleración, manejo menos sensible y velocidad de giro moderada, para proteger el césped y para usuarios nuevos.
- **ESTÁNDAR:** ideal para el uso diario.
- **DEPORTIVO:** alta aceleración, manejo preciso y giros pronunciados para maximizar la eficiencia de corte del césped y para entusiastas del cortacésped.

**NOTA:** El modo de conducción no se puede ajustar durante la conducción. La función se activará solo cuando las ruedas del cortacésped estén paradas.

### Ajuste de la velocidad de conducción (Fig. E18)

**NOTA:** Cuando esté en modo «TURBO», pulse el botón «←». La velocidad de conducción volverá al modo anterior.

### Ajuste de la velocidad de la cuchilla (Fig. E19)

#### Luces LED

- Los faros, las luces laterales y las luces traseras se controlan con el interruptor de las luces LED.
- Las luces de marcha siempre se mantienen encendidas durante la conducción.
- Al conducir marcha atrás, si las luces traseras están apagadas, parpadearán para advertir a otras personas que estén cerca; si las luces traseras están encendidas, permanecerán encendidas.
- Todas las luces se apagarán automáticamente cuando el cortacésped se apague automáticamente después de un periodo sin funcionar.

#### Puerto USB

**AVISO:** El puerto USB proporciona potencia de carga de 5 voltios CC a un consumo combinado de 1,5 amperios, y solo se acciona cuando el motor se arranca.

### PARAR EL CORTACÉSPED (fig. E20)

**AVISO:** El cortacésped se apagará automáticamente si transcurren más de 60 minutos sin que se realice ninguna acción.

### Modo de conducción de emergencia

Cuando la carga de la batería baja hasta un nivel crítico, el cortacésped entrará en modo de conducción de emergencia para conservar suficiente energía para regresar al área de carga.

- Las cuchillas pasarán a baja velocidad de rotación, pudiendo cortar solo muy poca hierba. Si encuentran hierba alta y densa, las cuchillas dejarán de girar. El indicador acústico sonará (pitido) de forma intermitente.
- El indicador de estado del cortacésped parpadeará en rojo cada segundo, y tanto el indicador de baja potencia como los gráficos de la batería en el indicador de energía parpadearán.

El usuario deberá:

- Empujar el interruptor de la toma de fuerza hacia abajo para apagar los motores de la cuchilla. El indicador acústico dejará de sonar cuando los motores de la cuchilla se detengan.
- Dejar de trabajar y llegar al área de carga lo antes posible. La distancia máxima que puede recorrer el cortacésped es 1000 m.

Cuando la batería está a punto de agotarse por completo, el símbolo de cada compartimento de batería ocupado y el indicador de potencia baja parpadearán una vez cada medio segundo. El cortacésped se para inmediatamente. El usuario deberá transportar el cortacésped al lugar de carga para recargarlo.

**AVISO:** En caso de que sea necesario empujarlo manualmente, asegúrese de que las baterías estén desconectadas del cortacésped y de que el pedal del freno de estacionamiento no esté en la posición de frenado.

### CONDUCIR EL CORTACÉSPED (fig. E21)

**⚠ PELIGRO:** Manténgase como mínimo a dos anchuras de corte de distancia de zanjas, laderas o agua. Las ruedas delanteras pueden girar cuando el cortacésped está parado, incluso con el freno acoplado, y pueden hacer que el cortacésped caiga por el borde o al agua, provocando la muerte o lesiones graves.



**⚠ ADVERTENCIA:** Esté atento a lo que pueda haber detrás del cortacésped cuando vaya marcha atrás. NO corte el césped marcha atrás, a menos que sea absolutamente necesario. Mire siempre hacia abajo y hacia atrás cuando retroceda, para asegurarse de que no haya niños ni otras personas o animales en la zona de corte. Recuerde que cualquier distracción de una fracción de segundo es suficiente para provocar lesiones graves o mortales.

**⚠ ADVERTENCIA:** No use la máquina en vías públicas.

**⚠ ADVERTENCIA:** Si se produce un bloqueo, o en caso de golpear algún objeto extraño con la cuchilla, apague el motor y saque las baterías. Quite los recortes de hierba, hojas, suciedad y otros residuos acumulados; examine minuciosamente el cortacésped por si presentarse algún daño y efectúe las reparaciones necesarias antes de volver a ponerlo en marcha y utilizarlo.

### USO DEL CONTROL DE CRUCERO (CCS)

**Para activar el CCS durante la conducción (fig. E22)**

**NOTA:** Es posible que el nivel de velocidad de conducción que se muestra en la pantalla LCD no represente con precisión la velocidad de conducción real del cortacésped en el control de crucero. Pulse uno de los botones de ajuste de velocidad («←» o «→») para «actualizar» y ajustar el nivel de velocidad de conducción en la pantalla LCD.

**Para salir del CCS y parar el cortacésped,** puede elegir una de estas cuatro opciones:

- Presione ligeramente el pedal del acelerador y suéltelo después.
- Tire de las palancas izquierda/derecha hacia el usuario y suéltelas después.
- Presione el pedal de freno de estacionamiento.
- Pulse el botón del CCS.

**NOTA:** Presione el pedal del acelerador hasta el tope para alcanzar la velocidad de conducción de CCS actual y siga presionando. La función CCS se detendrá y el cortacésped continuará conduciendo a la velocidad actual.

## MANTENIMIENTO

**⚠ ADVERTENCIA:** Utilice siempre gafas de seguridad con pantallas de protección lateral, De lo contrario, pueden salir objetos despedidos y alcanzar los ojos, pudiendo provocar lesiones graves.

**⚠ ADVERTENCIA:** Protéjase siempre las manos utilizando guantes gruesos o envolviendo los filos cortantes en paños u otros materiales cuando realice trabajos de mantenimiento en la cuchilla del cortacésped. Saque siempre la llave de seguridad y las baterías antes de reparar o transportar el cortacésped.

Intervalo del servicio de mantenimiento	Procedimiento de mantenimiento.
Antes de cada uso o a diario	<ul style="list-style-type: none"> <li>▪ Comprobar el sistema de enclavamiento de seguridad.</li> <li>▪ Verifique visualmente los neumáticos si están inflados.</li> <li>▪ Inspeccione las cuchillas.</li> <li>▪ Examine todo el producto para ver si hay piezas dañadas, extraviadas o sueltas, como la tolva de descarga lateral, tornillos, tuercas, pernos, tapones, etc., y asegúrese de que están en su lugar y funcionan correctamente.</li> <li>▪ Compruebe y asegúrese de que el pedal del acelerador se pueda presionar y soltar correctamente.</li> <li>▪ Compruebe el amortiguador del volante. El volante debe girarse con cierta resistencia.</li> </ul>
Después de cada uso	<ul style="list-style-type: none"> <li>▪ Limpiar la plataforma del cortacésped.</li> </ul>
Cada 25 horas	<ul style="list-style-type: none"> <li>▪ Comprobar la presión de los neumáticos.</li> </ul>
Cada 100 horas	<ul style="list-style-type: none"> <li>▪ Examine las ruedas traseras y compruebe que todas las tuercas de las ruedas estén apretadas con el par recomendado.</li> </ul>



Cada 200 horas	<ul style="list-style-type: none"> <li>Examinar las ruedas delanteras y comprobar que giren libremente.</li> </ul>
Antes del almacenamiento	<ul style="list-style-type: none"> <li>Quite las baterías del cortacésped.</li> <li>Quite la llave de seguridad del cortacésped.</li> <li>Realice todos los procedimientos de mantenimiento enumerados anteriormente y limpie a fondo el cortacésped.</li> <li>Inspeccione todo el producto para ver si falta alguna pieza, si ha piezas dañadas o sueltas, y reemplace o apriete las piezas en cuestión antes de guardar el aparato.</li> </ul>
Anualmente	<ul style="list-style-type: none"> <li>Compruebe el pedal de freno de estacionamiento. Quite la batería del cortacésped y ajuste la posición del pedal de freno de estacionamiento a la posición de frenado. Empuje manualmente el cortacésped hacia delante para ver si se puede mover o no. Si se mueve, llévelo a un técnico cualificado para que lo repare.</li> </ul>

## MANTENIMIENTO GENERAL

### Limpieza de la carcasa del cortacésped (fig. F1 – F2)

### Uso de la conexión de lavado para limpiar la plataforma del cortacésped (fig. F3 – F4)

F2-1	Conexión de lavado	F2-2	Acoplamiento rápido de la conexión de lavado
F2-3	Manguera de jardín		

**AVISO:** Cuando termine de limpiar, apague el cortacésped por completo y, a continuación, quite la manguera de jardín y el acoplador rápido.

## MANTENIMIENTO DE LA PLATAFORMA DEL CORTACÉSPED Y LAS CUCHILLAS DE CORTE

### PREPARACIÓN (Fig. G1)

### Extracción de la plataforma de del cortacésped (fig. G2 – G3)

G2-1	Cable del motor	G2-2	Varillaje de la suspensión
G2-3	Pasador de chaveta		

**AVISO:** Desconecte todos los cables del motor y los pasadores de chaveta cuando quite la plataforma del cortacésped.

### Sustitución de las cuchillas de corte (Fig. G4 – G6)

G4-1	Estabilizador	G5-1	Tornillo
G5-2	Arandela	G5-3	Cuchilla
G5-4	Brida	G5-5	Eje del motor

### Nivelación de la plataforma del cortacésped

#### a. Cuándo nivelar (fig. G7 – G9)

#### b. Antes de nivelar

- Compruebe la presión de los neumáticos en frío (fig. G10)
- Compruebe las cuchillas. En caso necesario, desmonte y sustituya las cuchillas desgastadas, agrietadas o dobladas.

#### c. Preparación para la nivelación (Fig. G11)

#### d. Cómo nivelar

- Hacer el ajuste de lado a lado (fig. G12)
- Hacer el ajuste de delante a atrás (fig. G13)

## CALIBRACIÓN DEL SISTEMA DE SEGUIMIENTO DEL CORTACÉSPED (fig. H1 – H2)

**AVISO:** El pitido de indicación debería sonar una vez cuando se inicia la calibración y cuando ha finalizado.

**NOTA:** La calibración completada para uno de los modos de conducción («CONTROL», «ESTÁNDAR», «DEPORTIVO») puede no estar disponible para los otros dos modos. Calibre el volante en cada modo de conducción de forma independiente según sea necesario.

ES

## RESTABLECER EL CORTACÉSPED A LOS AJUSTES DE FÁBRICA (fig. I)

**AVISO:** El pitido de indicación debería sonar una vez cuando se inicia el restablecimiento y cuando ha finalizado.

ES

**NOTA:** Si el restablecimiento se ha realizado correctamente, los ajustes siguientes volverán a la configuración inicial de fábrica:

- modo de conducción
- velocidad de conducción
- calibración del volante

## ALMACENAMIENTO Y TRANSPORTE

### TRANSPORTE DE LA SEGADORA (fig. J1 – J5)

**AVISO:** Sujete el cortacésped como sea necesario usando correas o cables para evitar el movimiento durante el transporte.

### STORAGE (Fig. K1 – K2)

**AVISO:** Quite las baterías y guárdelas; consulte los manuales correspondientes.

Compruebe el cortacésped y límpielo antes de guardarlo. Consulte los apartados «**LIMPIEZA DEL CORTACÉSPED**» y «**PLAZOS DE MANTENIMIENTO RECOMENDADOS**».

### Protección del medio ambiente



RAEE (Residuos de Aparatos Eléctricos y Electrónicos) ¡No elimine aparatos eléctricos, baterías usadas ni cargadores de baterías


junto con los desperdicios domésticos! Lleve este producto a un punto de reciclaje autorizado y deposítelo por separado según corresponda. Las herramientas eléctricas se deben llevar a un punto de reciclaje con fin de proteger el medio ambiente.

## SOLUCIÓN DE PROBLEMAS

PROBLEMA	CAUSA	SOLUCIÓN
El tractor cortacésped de giro cero no se desplaza cuando se presiona el pedal del acelerador.	<ul style="list-style-type: none"> <li>Los Ah combinados de las baterías insertadas no cumplen el requisito.</li> </ul>	<ul style="list-style-type: none"> <li>Para arrancar este cortacésped, utilice suficientes baterías EGO siguiendo las instrucciones al apartado «<b>ACOPLAR/DESMONTAR EL PAQUETE DE BATERÍAS</b>» de este manual.</li> </ul>
	<ul style="list-style-type: none"> <li>El pedal de freno de estacionamiento está en la posición de frenado.</li> </ul>	<ul style="list-style-type: none"> <li>Presione completamente el pedal de freno de estacionamiento para soltarlo de la posición de frenado.</li> </ul>
	<ul style="list-style-type: none"> <li>No se tira brevemente de ambas palancas izquierda y derecha hacia el usuario para que el indicador de estado del cortacésped se encienda en verde al arrancar el cortacésped.</li> </ul>	<ul style="list-style-type: none"> <li>Tire de <b>AMBAS</b> palancas izquierda y derecha hacia el usuario simultáneamente y suéltelas después. El indicador de estado del cortacésped se encenderá en verde, lo que significa que el cortacésped está listo para arrancar.</li> </ul>
	<ul style="list-style-type: none"> <li>El usuario no está sentado en el asiento.</li> </ul>	<ul style="list-style-type: none"> <li>El usuario debe estar sentado correctamente en el asiento para poder utilizar el cortacésped.</li> </ul>
	<ul style="list-style-type: none"> <li>El interruptor del asiento no está conectado correctamente.</li> </ul>	<ul style="list-style-type: none"> <li>Quite la batería del cortacésped y desmonte el asiento en orden inverso al indicado en las instrucciones en el apartado «<b>INSTALACIÓN DEL ASIENTO</b>» de este manual, para asegurarse de que el enchufe del cable esté conectado correctamente a la toma en la parte inferior del asiento. Vuelva a montar el asiento y siga las instrucciones del apartado «<b>ARRANCAR EL CORTACÉSPED</b>» para volver a poner en marcha el cortacésped y ver si arranca. De lo contrario, póngase en contacto con un técnico de servicio cualificado para que lo repare.</li> </ul>
	<ul style="list-style-type: none"> <li>En situaciones de frío extremo, es posible que la función de conducción no arranque correctamente debido a la protección contra temperatura baja.</li> </ul>	<ul style="list-style-type: none"> <li>Guarde siempre el cortacésped y la batería en un entorno cálido. Vuelva a arrancar el cortacésped cuando se haya calentado. No intente arrancar repetidamente en condiciones de frío extremo, ya que se podría dañar la máquina.</li> </ul>
	<ul style="list-style-type: none"> <li>La trayectoria de desplazamiento del pedal del acelerador está obstruida con residuos.</li> </ul>	<ul style="list-style-type: none"> <li>Compruebe si hay residuos y quítelos.</li> </ul>
	<ul style="list-style-type: none"> <li>Fallo de componentes mecánicos o electrónicos del pedal del acelerador.</li> </ul>	<ul style="list-style-type: none"> <li>Póngase en contacto con un técnico de servicio cualificado para que lo repare.</li> </ul>

ES

PROBLEMA	CAUSA	SOLUCIÓN
El tractor cortacésped de giro cero se detiene.	<ul style="list-style-type: none"> <li>La palanca izquierda/derecha requiere un «reinicio».</li> </ul>	<ul style="list-style-type: none"> <li>Tire de las palancas izquierda/derecha hacia el usuario y suéltelas. El cortacésped está listo para la conducción cuando el indicador de estado se enciende de color verde.</li> </ul>
	<ul style="list-style-type: none"> <li>Fallo de componentes electrónicos del pedal del acelerador.</li> </ul>	<ul style="list-style-type: none"> <li>Póngase en contacto con un técnico de servicio cualificado para que lo repare.</li> </ul>
	<ul style="list-style-type: none"> <li>El sistema de enclavamiento de seguridad del asiento se desconectó durante la conducción en un terreno accidentado.</li> </ul>	<ul style="list-style-type: none"> <li>Quite la batería del cortacésped y desmonte el asiento en orden inverso al indicado en las instrucciones en el apartado «<b>INSTALACIÓN DEL ASIENTO</b>» de este manual, para asegurarse de que el enchufe del cable esté conectado correctamente a la toma en la parte inferior del asiento. Vuelva a montar el asiento y siga las instrucciones del apartado «<b>ARRAN CAR EL CORTACÉSPED</b>» para volver a poner en marcha el cortacésped y ver si arranca. De lo contrario, póngase en contacto con un técnico de servicio cualificado para que lo repare.</li> </ul>
	<ul style="list-style-type: none"> <li>El peso del usuario no se distribuye uniformemente en el asiento. El peso del usuario en el asiento debe ser como mínimo de 20 kg para que el sistema de enclavamiento de seguridad del asiento funcione correctamente</li> </ul>	<ul style="list-style-type: none"> <li>Siéntese correctamente en el asiento, tire de la palanca izquierda/derecha o de ambas hacia el usuario y suéltelas. A continuación, el cortacésped está listo para conducir.</li> </ul>
	<ul style="list-style-type: none"> <li>Desconecte y vuelva a conectar la batería si es necesario.</li> </ul>	
El modo de conducción no se puede ajustar durante la conducción.	<ul style="list-style-type: none"> <li>El pedal del freno de estacionamiento se ha presionado para reducir la velocidad de conducción. Una vez que el pedal del freno de estacionamiento esté lo suficientemente presionado, pero no en la posición de estacionamiento, el cortacésped se parará.</li> </ul>	<ul style="list-style-type: none"> <li>Siga las instrucciones del apartado «<b>ARRANCAR EL CORTACÉSPED</b>» para reiniciar el cortacésped.</li> </ul>
	<ul style="list-style-type: none"> <li>Se trata de una función de conducción segura del tractor cortacésped de giro cero.</li> </ul>	<ul style="list-style-type: none"> <li>La función se activará solo cuando las ruedas del cortacésped estén paradas.</li> </ul>

PROBLEMA	CAUSA	SOLUCIÓN
<p>El tractor cortacésped de giro cero no pone en marcha las cuchillas cuando se activa el interruptor de toma de fuerza.</p>  El símbolo del interruptor de toma de fuerza parpadea	<ul style="list-style-type: none"> <li>Los Ah combinados de las baterías insertadas no cumplen el requisito.</li> </ul>	<ul style="list-style-type: none"> <li>Para arrancar este cortacésped, utilice suficientes baterías EGO siguiendo las instrucciones al apartado «<b>ACOPLAR/DESMONTAR EL PAQUETE DE BATERÍAS</b>» de este manual.</li> </ul>
	<ul style="list-style-type: none"> <li>El interruptor de la toma de fuerza no se presionó hacia abajo cuando el cortacésped se apagó la última vez.</li> </ul>	<ul style="list-style-type: none"> <li>Presione el interruptor de la toma de fuerza hacia abajo y después hacia arriba para reiniciar los motores de las cuchillas.</li> </ul>
	<ul style="list-style-type: none"> <li>El cortacésped está sobrecargado en el momento en que las cuchillas comienzan a girar, lo que activa la autoprotección del motor.</li> </ul>	<ul style="list-style-type: none"> <li>Empiece a cortar la hierba con el cortacésped primero a una velocidad baja de las cuchillas, y no aumente la velocidad de las cuchillas hasta que estén girando correctamente.</li> </ul>
	<ul style="list-style-type: none"> <li>En situaciones de frío extremo, es posible que el motor de las cuchillas no arranque correctamente debido a la protección contra temperatura baja.</li> </ul>	<ul style="list-style-type: none"> <li>Guarde siempre el cortacésped y la batería en un entorno cálido. Vuelva a arrancar el cortacésped cuando se haya calentado. No intente arrancar repetidamente en condiciones de frío extremo, ya que se podría dañar la máquina.</li> </ul>
	<ul style="list-style-type: none"> <li>La cuchilla interfiere con la plataforma del cortacésped deformada.</li> </ul>	<ul style="list-style-type: none"> <li>Llame al servicio de atención al cliente de EGO.</li> </ul>
	<ul style="list-style-type: none"> <li>El cortacésped está conduciendo a la velocidad de «VIAJE».</li> </ul>	<ul style="list-style-type: none"> <li>Cuando el cortacésped está conduciendo a la velocidad de «VIAJE», los motores de las cuchillas se detendrán automáticamente.</li> </ul>

PROBLEMA	CAUSA	SOLUCIÓN
Las cuchillas se paran durante el corte de la hierba.	<ul style="list-style-type: none"> <li>El cortacésped se ha sobrecargado.</li> </ul>	<ul style="list-style-type: none"> <li>Suba la altura de corte de la plataforma o reduzca la velocidad de conducción para disminuir la carga del cortacésped.</li> </ul>
	<ul style="list-style-type: none"> <li>La plataforma del cortacésped está obstruida con restos de hierba y suciedad.</li> </ul>	<ul style="list-style-type: none"> <li>Limpie la plataforma del cortacésped y asegúrese de que las cuchillas giran libremente.</li> </ul>
	<ul style="list-style-type: none"> <li>El cortacésped se ha sobrecalentado.</li> </ul>	<ul style="list-style-type: none"> <li>Reduzca la carga del cortacésped elevando la altura de corte de la plataforma o reduciendo la velocidad de las cuchillas o la velocidad de conducción, y espere a que el cortacésped se enfríe.</li> </ul>
	<ul style="list-style-type: none"> <li>La(s) batería(s) instalada(s) en el compartimento del cortacésped se ha(n) sobrecalentado, por lo que la capacidad de Ah combinada de todas las baterías insertadas no cumple el requisito.</li> </ul>	<ol style="list-style-type: none"> <li>El cortacésped puede seguir funcionando si la capacidad de Ah de las baterías combinadas, excluyendo la batería sobrecalentada, cumple el requisito. Cuando la batería sobrecalentada haya recuperado la temperatura normal, unirá su potencia inmediatamente a las demás baterías para accionar el cortacésped.</li> </ol>
		<ol style="list-style-type: none"> <li>Si la capacidad de Ah combinada de las baterías no cumple el requisito, el cortacésped no funcionará hasta que se inserten más baterías en los compartimentos de batería que están libres.</li> </ol>
		<ol style="list-style-type: none"> <li>Reduzca la carga del cortacésped elevando la altura de corte de la plataforma o reduciendo la velocidad de corte cuando reanude el funcionamiento.</li> </ol>
	<ul style="list-style-type: none"> <li>El cortacésped está en el modo de conducción de emergencia.</li> </ul>	<ul style="list-style-type: none"> <li>Cuando el cortacésped está en el modo de conducción de emergencia, las cuchillas se conmutan automáticamente a la velocidad de giro baja. El usuario deberá dejar de usar el cortacésped y dirigirse lo antes posible al lugar de carga de la batería.</li> </ul>
	<ul style="list-style-type: none"> <li>El cortacésped ha sido golpeado un objeto extraño, por lo que se ha activado la función de autoprotección del motor.</li> </ul>	<ul style="list-style-type: none"> <li>Presione el interruptor de la toma de fuerza hacia abajo y después hacia arriba para reiniciar los motores de las cuchillas.</li> </ul>
<ul style="list-style-type: none"> <li>La velocidad del cortacésped está ajustada al modo «VIAJE».</li> </ul>	<ul style="list-style-type: none"> <li>Cuando la velocidad del cortacésped está en EL modo «VIAJE», los motores de las cuchillas se detienen automáticamente.</li> </ul>	

PROBLEMA	CAUSA	SOLUCIÓN
El indicador acústico sigue sonando.	<ul style="list-style-type: none"> <li>El cortacésped está en el modo de conducción de emergencia y las cuchillas no están apagadas.</li> </ul>	<ul style="list-style-type: none"> <li>Presione el interruptor de la toma de fuerza hacia abajo para apagar los motores de la cuchilla. El indicador acústico dejará de sonar cuando los motores de la cuchilla se apaguen.</li> </ul>
	<ul style="list-style-type: none"> <li>El cortacésped se detiene en una pendiente y se levanta del asiento sin poner el pedal de freno de estacionamiento en la posición de frenado.</li> </ul>	<ul style="list-style-type: none"> <li>Ponga el pedal de freno de estacionamiento en la posición de frenado antes de dejar el cortacésped en la pendiente.</li> </ul>
Los indicadores de la batería siguen encendidos cuando el cortacésped está apagado.	<ul style="list-style-type: none"> <li>Cuando el cortacésped se apaga sobre un suelo sin quitar la(s) batería(s), los indicadores de la batería, el botón de arranque/parada y el botón CCS permanecen encendidos durante un tiempo.</li> </ul>	<ul style="list-style-type: none"> <li>No es necesaria ninguna acción. Los indicadores de batería se apagarán cuando el cortacésped se apague después de un tiempo. Consulte el apartado «<b>PARAR EL CORTACÉSPED</b>» para conocer el tiempo específico.</li> </ul>
	<ul style="list-style-type: none"> <li>Cuando el cortacésped se apaga en una pendiente sin poner el freno de estacionamiento en la posición de frenado, los indicadores de la batería permanecen encendidos hasta que se agota totalmente la carga de las baterías. Al mismo tiempo, sigue sonando el indicador acústico.</li> </ul>	<ul style="list-style-type: none"> <li>Ponga el pedal de freno de estacionamiento en la posición de frenado antes de dejar el cortacésped en la pendiente.</li> </ul>
La pantalla LCD no se ilumina con todos los símbolos encendidos.	<ul style="list-style-type: none"> <li>El botón de arranque/parada se ha pulsado durante suficiente tiempo.</li> </ul>	<ul style="list-style-type: none"> <li>En la pantalla LCD solo se muestra el «Indicador de energía» si el botón de arranque/parada se pulsa brevemente.</li> </ul>
		<ul style="list-style-type: none"> <li>La pantalla LCD se enciende después de pulsar el botón de arranque/parada durante suficiente tiempo.</li> </ul>



ES

PROBLEMA	CAUSA	SOLUCIÓN
El cortacésped corta de forma irregular, con una diferencia de altura considerable entre la parte delantera y la trasera.	<ul style="list-style-type: none"> <li>Las cuchillas están romas.</li> </ul>	<ul style="list-style-type: none"> <li>Afile la cuchilla o sustitúyala siguiendo las instrucciones de este manual.</li> </ul>
	<ul style="list-style-type: none"> <li>Las cuchillas están dobladas.</li> </ul>	<ul style="list-style-type: none"> <li>Sustituya la cuchilla de corte doblada siguiendo las instrucciones del apartado «CAMBIAR LAS CUCHILLAS DE CORTE».</li> </ul>
	<ul style="list-style-type: none"> <li>La plataforma del cortacésped no está nivelada, lo que provoca diferentes alturas de las cuchillas de corte.</li> </ul>	<ul style="list-style-type: none"> <li>Nivele la cubierta del cortacésped siguiendo las instrucciones del apartado «NIVELACIÓN DE LA PLATAFORMA DEL CORTACÉSPED».</li> </ul>
La altura real de corte de la hierba no coincide con la altura deseada.	<ul style="list-style-type: none"> <li>Las tuercas de la plataforma del cortacésped se han aflojado en el varillaje de la suspensión.</li> </ul>	<ul style="list-style-type: none"> <li>Siga las instrucciones del apartado «NIVELACIÓN DE LA PLATAFORMA DEL CORTACÉSPED» para realizar correctamente el ajuste de delante atrás de la plataforma del cortacésped, y apriete firmemente las tuercas en el varillaje de la suspensión.</li> </ul>
	<ul style="list-style-type: none"> <li>La plataforma del cortacésped está dañada o muy desgastada.</li> </ul>	<ul style="list-style-type: none"> <li>Siga las instrucciones del apartado «DESMONTAJE DE LA PLATAFORMA DEL CORTACÉSPED» para sustituir la plataforma.</li> </ul>
El cortacésped no tritura correctamente la hierba.	<ul style="list-style-type: none"> <li>Hay recortes de hierba húmeda adheridos en la superficie inferior de la plataforma de corte.</li> </ul>	<ul style="list-style-type: none"> <li>Espere a que la hierba esté seca antes de cortar el césped.</li> </ul>
	<ul style="list-style-type: none"> <li>El cortacésped está ajustado para cortar una elevada cantidad de hierba en cada pasada.</li> </ul>	<ul style="list-style-type: none"> <li>Eleve la altura de corte de la plataforma.</li> </ul>

PROBLEMA	CAUSA	SOLUCIÓN
Vibración excesiva.	<ul style="list-style-type: none"> <li>Las cuchillas de corte están sueltas.</li> </ul>	<ul style="list-style-type: none"> <li>Apriete el tornillo de la cuchilla con el par recomendado.</li> </ul>
	<ul style="list-style-type: none"> <li>Las cuchillas están dobladas.</li> </ul>	<ul style="list-style-type: none"> <li>Sustituya la cuchilla de corte doblada siguiendo las instrucciones del apartado «<b>CAMBIAR LAS CUCHILLAS DE CORTE</b>».</li> </ul>
	<ul style="list-style-type: none"> <li>La plataforma del cortacésped no está nivelada.</li> </ul>	<ul style="list-style-type: none"> <li>Nivele la cubierta del cortacésped siguiendo las instrucciones del apartado «<b>NIVELACIÓN DE LA PLATAFORMA DEL CORTACÉSPED</b>».</li> </ul>
	<ul style="list-style-type: none"> <li>Las tuercas de la plataforma del cortacésped se han aflojado en el varillaje de la suspensión.</li> </ul>	<ul style="list-style-type: none"> <li>Apriete las tuercas del varillaje de la suspensión.</li> </ul>
	<ul style="list-style-type: none"> <li>El cortacésped está ajustado para cortar demasiada hierba en cada pasada.</li> </ul>	<ul style="list-style-type: none"> <li>Eleve la altura de corte de la plataforma.</li> </ul>
Queda hierba o residuos en el suelo después de cortar el césped.	<ul style="list-style-type: none"> <li>El cortacésped está ajustado para cortar una elevada cantidad de hierba en cada pasada cuando la hierba es alta.</li> </ul>	<ul style="list-style-type: none"> <li>Comience con una altura de corte elevada y redúzcala hasta lograr el resultado de corte deseado en el césped. Si el césped tiene una altura mayor que 152 mm deberá cortarse dos veces, reduciendo la altura de corte sucesivamente.</li> </ul>
	<ul style="list-style-type: none"> <li>La hierba está mojada.</li> </ul>	<ul style="list-style-type: none"> <li>No corte cuando la hierba esté mojada, espere a que se seque.</li> </ul>
	<ul style="list-style-type: none"> <li>La velocidad de conducción es alta.</li> </ul>	<ul style="list-style-type: none"> <li>Reduzca la velocidad de conducción.</li> </ul>
	<ul style="list-style-type: none"> <li>La velocidad de la cuchilla es baja.</li> </ul>	<ul style="list-style-type: none"> <li>Aumente gradualmente la velocidad de las cuchillas.</li> </ul>
Poco tiempo de funcionamiento del cortacésped con la batería incluida.	<ul style="list-style-type: none"> <li>El terreno del césped, las condiciones del césped, el ajuste de la altura de corte, la velocidad de conducción, la velocidad de las cuchillas, etc. influyen en gran medida en el tiempo de funcionamiento.</li> </ul>	<ul style="list-style-type: none"> <li>Suba la altura de corte de la plataforma y reduzca la velocidad de las cuchillas para disminuir la carga de corte.</li> </ul>
El cortacésped no va en línea recta.	<ul style="list-style-type: none"> <li>Las presiones de los neumáticos izquierdo y derecho son diferentes.</li> </ul>	<ul style="list-style-type: none"> <li>Compruebe la presión del aire en ambos neumáticos de la rueda trasera, y ajústela de acuerdo con el apartado «<b>ESPECIFICACIONES</b>».</li> </ul>
	<ul style="list-style-type: none"> <li>La velocidad de conducción es diferente para las ruedas izquierda y derecha.</li> </ul>	<ul style="list-style-type: none"> <li>Calibre el volante siguiendo las instrucciones del apartado «<b>CALIBRACIÓN DEL SISTEMA DE SEGUIMIENTO DEL CORTACÉSPED</b>».</li> </ul>







PROBLEMA	CAUSA	SOLUCIÓN
El pedal de freno de estacionamiento no se puede soltar de la posición de frenado o regresa demasiado despacio.	<ul style="list-style-type: none"> <li>Es posible que haya residuos o suciedad en el pedal de freno de estacionamiento.</li> </ul>	<ul style="list-style-type: none"> <li>Abra la caja del pedal de freno de estacionamiento para limpiarla a fondo por dentro y ciérrela después. Restablezca el pedal de freno de estacionamiento para comprobar si se ha resuelto el problema. De lo contrario, póngase en contacto con un técnico de servicio cualificado para que lo repare.</li> </ul>
El cortacésped no se puede cargar a través del puerto de carga con el indicador de estado del cortacésped encendido permanentemente en rojo.	<ul style="list-style-type: none"> <li>El enchufe o el cargador no están insertados correctamente en el puerto de carga del cortacésped.</li> </ul>	<ul style="list-style-type: none"> <li>Vuelva a conectar el enchufe del cargador para comprobar si el cortacésped se puede cargar normalmente.</li> </ul>
	<ul style="list-style-type: none"> <li>No hay potencia en las tomas de corriente.</li> </ul>	<ul style="list-style-type: none"> <li>No es necesaria ninguna acción. Espere hasta que se restablezca la potencia.</li> </ul>
	<ul style="list-style-type: none"> <li>El cargador no funciona correctamente.</li> </ul>	<ul style="list-style-type: none"> <li>Llame al centro de atención al cliente de EGO para solicitar la inspección y reparación del cargador en caso necesario.</li> </ul>
	<ul style="list-style-type: none"> <li>El puerto del cargador en el cortacésped está defectuoso.</li> </ul>	<ul style="list-style-type: none"> <li>Llame al servicio de atención al cliente de EGO.</li> </ul>
El tiempo de carga a través del puerto de carga del cortacésped es demasiado largo.	<ul style="list-style-type: none"> <li>El uso de un adaptador EGO ACA1000 para la carga requiere mucho tiempo.</li> </ul>	<ul style="list-style-type: none"> <li>Use el cargador EGO CHV1600E para cargar directamente el tractor cortacésped de giro cero.</li> </ul>
La batería no se puede cargar completamente a través del puerto de carga del cortacésped.	<ul style="list-style-type: none"> <li>Error de firmware del cortacésped, o fallo de la batería o el cargador.</li> </ul>	<ul style="list-style-type: none"> <li>Reinicie el cargador desenchufándolo y esperando más suficientes minutos. A continuación, vuelva a conectar el enchufe a la fuente de alimentación. Si esto no resuelve el problema, llame al centro de atención al cliente de EGO.</li> </ul>
El cortacésped no se puede arrancar después de la limpieza.	<ul style="list-style-type: none"> <li>Limpieza incorrecta, por ejemplo, penetración de agua en los componentes eléctricos, la pantalla LCD, etc.</li> </ul>	<ul style="list-style-type: none"> <li>Siga las instrucciones del apartado «<b>MANTENIMIENTO GENERAL</b>» para limpiar el cortacésped correctamente.</li> </ul>
		<ul style="list-style-type: none"> <li>Si el cortacésped se expone a la lluvia accidentalmente, deje que se seque al aire o use aire comprimido para secarlo.</li> </ul>
La plataforma del cortacésped se obstruye rápidamente.	<ul style="list-style-type: none"> <li>La plataforma del cortacésped no se limpió adecuadamente después del uso anterior.</li> </ul>	<ul style="list-style-type: none"> <li>Limpie la plataforma del cortacésped después de cada uso, siguiendo las instrucciones del apartado «<b>USO DE LA CONEXIÓN DE LAVADO PARA LIMPIAR LA PLATAFORMA DEL CORTACÉSPED</b>».</li> </ul>

PROBLEMA	CAUSA	SOLUCIÓN
El cortacésped pierde tracción fácilmente cuando sube por una pendiente.	<ul style="list-style-type: none"> <li>Los neumáticos de las ruedas traseras están desgastados.</li> </ul>	<ul style="list-style-type: none"> <li>Póngase en contacto con un centro de servicio técnico local para sustituir los neumáticos de las ruedas.</li> </ul>
	<ul style="list-style-type: none"> <li>Corte del césped en una pendiente pronunciada.</li> </ul>	<ul style="list-style-type: none"> <li>El cortacésped no debe usarse para cortar en pendientes con una inclinación mayor que los grados especificados.</li> </ul>
Cuando el cortacésped está parado en una pendiente con el pedal de freno de estacionamiento accionado, el cortacésped puede rodar hacia abajo por la pendiente.	<ul style="list-style-type: none"> <li>Los componentes del freno están excesivamente desgastados debido a un funcionamiento incorrecto del cortacésped.</li> </ul>	<ul style="list-style-type: none"> <li>Llame al centro de atención al cliente de EGO para solicitar una reparación.</li> </ul>
No hay agua proveniente de la conexión de lavado cuando se intenta lavar la plataforma.	<ul style="list-style-type: none"> <li>El acoplador rápido de la conexión de lavado no está montado correctamente en la conexión de lavado.</li> </ul>	<ul style="list-style-type: none"> <li>Vuelva a conectar el acoplamiento rápido de la conexión de lavado hasta que oiga claramente un «clic» después de empujar firmemente. Si no funciona, llame al centro de atención al cliente de EGO.</li> </ul>
Se escucha un sonido anómalo al empujar manualmente el cortacésped sin arrancarlo.	<ul style="list-style-type: none"> <li>El ruido lo producen los imanes en el interior del motor de conducción.</li> </ul>	<ul style="list-style-type: none"> <li>Esto es normal y no es necesaria ninguna acción.</li> </ul>
El volante no se puede girar.	<ul style="list-style-type: none"> <li>El conjunto del volante está obstruido con residuos.</li> </ul>	<ul style="list-style-type: none"> <li>Compruebe si hay residuos y quítelos.</li> </ul>
El cortacésped no gira a la izquierda/derecha cuando se gira el volante.	<ul style="list-style-type: none"> <li>Fallo de componentes electrónicos o mecánicos.</li> </ul>	<ul style="list-style-type: none"> <li>Llame al centro de atención al cliente de EGO para solicitar una reparación.</li> </ul>

ES

PROBLEMA	CAUSA	SOLUCIÓN
El cortacésped no se detiene al soltar el pedal del acelerador.	<ul style="list-style-type: none"> <li>La trayectoria de retorno del pedal del acelerador está obstruida con residuos.</li> </ul>	<ul style="list-style-type: none"> <li>Compruebe si hay residuos y quítelos.</li> </ul>
	<ul style="list-style-type: none"> <li>El botón CCS se ha presionado involuntariamente durante la conducción. El cortacésped está en modo de control de crucero.</li> </ul>	<ul style="list-style-type: none"> <li>Compruebe si el símbolo del CCS está encendido en la pantalla LCD y salga del CCS en caso necesario. Consulte el capítulo «<b>USO DEL CONTROL DE CRUCERO (CCS)</b>»</li> </ul>
La función CCS no se puede activar ni desactivar.	<ul style="list-style-type: none"> <li>El botón CCS no se ha presionado correctamente.</li> </ul>	<ul style="list-style-type: none"> <li>Pulse el botón CCS hasta que el símbolo del CCS se encienda en la pantalla LCD o desaparezca de la pantalla LCD.</li> </ul>
El cortacésped no circula marcha atrás cuando se tira de la(s) palanca(s) izquierda/derecha hacia el usuario.	<ul style="list-style-type: none"> <li>El indicador de estado del cortacésped no se muestra en verde y el cortacésped no está listo para la conducción.</li> </ul>	<ul style="list-style-type: none"> <li>Siga las indicaciones del apartado «ARRANCAR EL CORTACÉSPED» para que el indicador de estado del cortacésped se muestre en verde y el cortacésped esté listo para la conducción.</li> </ul>
	<ul style="list-style-type: none"> <li>No se tira correctamente de la(s) palanca(s) izquierda/derecha hacia el usuario.</li> </ul>	<ul style="list-style-type: none"> <li>Tire de la palanca izquierda, de la palanca derecha o de ambas simultáneamente hacia el usuario, hasta que se oiga un sonido de «clic».</li> </ul>
	<ul style="list-style-type: none"> <li>No se mantiene(n) hacia el usuario la(s) palanca(s) izquierda/derecha.</li> </ul>	<ul style="list-style-type: none"> <li>Para conducir marcha atrás, al menos una de las palancas debe mantenerse tirada hacia el usuario.</li> </ul>
	<ul style="list-style-type: none"> <li>La(s) palanca(s) izquierda/derecha está(n) rota(s).</li> </ul>	<ul style="list-style-type: none"> <li>Póngase en contacto con un técnico de servicio cualificado para que lo repare.</li> </ul>

## REFERENCIA DEL ESTADO DEL CORTACÉSPED Y CÓDIGOS DE ERROR

Pantalla LCD	Descripción	Código de error en la pantalla LCD	Indicador del estado del cortacésped	Pitido	Causa	Solución
	El símbolo de las luces LED se muestra en la pantalla LCD.	No procede	APAGADO	No	Los faros, las luces laterales y las luces traseras se encienden con el interruptor de las luces LED.	Este es el funcionamiento normal. No es necesaria ninguna acción.
	El símbolo USB se muestra en la pantalla LCD.	No procede	APAGADO	No	El símbolo de USB se enciende indicando que un dispositivo USB puede funcionar después de que el cortacésped se haya arrancado correctamente.	Este es el funcionamiento normal. No es necesaria ninguna acción.
	El símbolo del indicador de energía se muestra en la pantalla LCD.	No procede	APAGADO	No	Indica la capacidad de carga media de las baterías instaladas.	Este es el funcionamiento normal. No es necesaria ninguna acción.
	El símbolo del contador de horas se muestra en la pantalla LCD.	No procede	APAGADO	No	Muestra el tiempo de conducción total del cortacésped en horas, y no se puede reiniciar.	Este es el funcionamiento normal. No es necesaria ninguna acción.
	El símbolo del indicador de carga se muestra en el rango ECO.	No procede	APAGADO	No	Indica la carga actual del cortacésped.	Este es el funcionamiento normal. No es necesaria ninguna acción.
	El símbolo de marcha atrás se muestra en la pantalla LCD.	No procede	APAGADO	No	Indica que el cortacésped está conduciendo hacia atrás.	Este es el funcionamiento normal. No es necesaria ninguna acción.

**ES**

Pantalla LCD	Descripción	Código de error en la pantalla LCD	Indicador del estado del corta-césped	Pitido	Causa	Solución
	El símbolo de la llave de seguridad parpadea.	No procede	APAGADO	No	La llave de seguridad no está insertada.	Inserte la llave de seguridad y después mantenga pulsado el botón de arranque/parada para arrancar el cortacésped.
					El conjunto de la caja del panel de control de llave está roto.	Solicite las reparaciones a un técnico cualificado.
	El símbolo de un determinado compartimento de la batería parpadea.	No procede	APAGADO	No	Una determinada batería tiene sobrecorriente durante la descarga.	No es necesaria ninguna acción. El cortacésped puede seguir funcionando si la capacidad de Ah de las baterías combinadas, excluyendo la batería con sobrecorriente, cumple el requisito. Una vez que la batería con sobrecorriente vuelva a la normalidad, se unirá a la alimentación del cortacésped inmediatamente y el símbolo desaparecerá.
	El símbolo de compartimento de la batería vacío parpadea.	No procede	APAGADO	No	La capacidad de la batería no es suficiente para que el cortacésped pueda funcionar.	Para arrancar este cortacésped, utilice suficientes baterías EGO siguiendo las instrucciones al apartado « <b>ACOPLAR/ DESMONTAR EL PAQUETE DE BATERÍAS</b> » de este manual.



Pantalla LCD	Descripción	Código de error en la pantalla LCD	Indicador del estado del cortacésped	Pitido	Causa	Solución
	El indicador de sobrecarga parpadea.	No procede	Parpadea de color rojo	Un pitido	El motor de las cuchillas se ha sobrecargado.	Suba la altura de corte de la plataforma o reduzca la velocidad de conducción para disminuir la carga del cortacésped.
					La tolva de descarga lateral está obstruida con hierba y residuos.	Limpie la tolva de descarga lateral después de cada uso.
					Hay una interferencia entre la cuchilla y la cubierta plataforma de la segadora.	Llame al centro de atención al cliente de EGO.
	El símbolo de temperatura parpadea.	No procede	APAGADO	Un pitido	El cortacésped se ha sobrecalentado.	Reduzca la carga del cortacésped elevando la altura de corte de la plataforma o reduciendo la velocidad de las cuchillas o la velocidad de conducción. Haga una pausa y deje que el cortacésped se enfríe.
					El cortacésped está demasiado frío.	Por favor, no haga intentos repetidos que puedan dañar la máquina. Guarde siempre el cortacésped y las baterías en un entorno cálido. Vuelva a arrancar el cortacésped cuando se haya calentado.

**ES**

ES

Pantalla LCD	Descripción	Código de error en la pantalla LCD	Indicador del estado del corta-césped	Pitido	Causa	Solución
	<p>El símbolo de temperatura y el compartimento exacto ocupado de la batería parpadean al mismo tiempo.</p>	<p>No procede</p>	<p>APAGADO</p>	<p>No</p>	<p>El paquete de baterías en el correspondiente compartimento numerado de la batería está sobrecalentado.</p>	<p>1. El cortacésped puede seguir funcionando si la capacidad de Ah de las baterías combinadas, excluyendo la batería sobrecalentada, cumple el requisito. Cuando la batería sobrecalentada haya recuperado la temperatura normal, unirá su potencia inmediatamente a las demás baterías para accionar el cortacésped.</p> <p>2. Si la capacidad de Ah combinada de las baterías no es suficiente, el cortacésped no funcionará hasta que se inserten más baterías en los compartimentos de batería que están libres.</p> <p>3. Reduzca la carga del cortacésped elevando la altura de corte de la plataforma o reduciendo la velocidad de corte cuando reanude el funcionamiento.</p>

Pantalla LCD	Descripción	Código de error en la pantalla LCD	Indicador del estado del cortacésped	Pitido	Causa	Solución
	Los símbolos de cada compartimento ocupado de la batería, el indicador de potencia baja y el indicador de energía parpadean simultáneamente con una frecuencia de 1 segundo en la pantalla LCD. El primer LED del indicador de energía y estado del cortacésped también parpadea.	No procede	Parpadea de color rojo	Continúa pitando hasta que se empuja hacia abajo el interruptor de toma de fuerza.	La carga de las baterías es baja y el cortacésped está en el modo de conducción de emergencia.	Deje de usar el cortacésped y regrese al lugar de carga de la batería. <b>NOTA:</b> Cuando el cortacésped está en el modo de conducción de emergencia, las cuchillas se conmutan automáticamente a la velocidad de giro baja y, al mismo tiempo, suena continuamente el indicador acústico. El usuario debe empujar el interruptor de la toma de fuerza hacia abajo para apagar los motores de la cuchilla. El indicador acústico dejará de sonar después de que se detengan las cuchillas.
	El símbolo de cada compartimento de batería ocupado y el indicador de baja potencia parpadean cada medio segundo; el primer LED del indicador de energía también parpadea en rojo cada medio segundo.	No procede	Parpadea de color rojo	Continúa pitando	Las baterías están casi agotadas.	El cortacésped se para inmediatamente. El usuario deberá transportar el cortacésped al lugar de carga de la batería para recargarlo.
	El símbolo de estacionamiento automático parpadea en la pantalla LCD.	No procede	APAGADO	Continúa pitando	El cortacésped está estacionado en una pendiente y el usuario deja el cortacésped sin poner el pedal de freno de estacionamiento en la posición de frenado.	Ponga el pedal de freno en la posición de frenado. El símbolo de estacionamiento automático se apagará y el indicador acústico dejará de sonar.
	Se muestra el símbolo del pedal del freno en la pantalla LCD	No procede	APAGADO	No	El pedal de freno de estacionamiento está en la posición de frenado.	Suéltelo antes de arrancar el cortacésped.

**NOTA:** Si aparece un código de error en la pantalla LCD, quite todas las baterías y vuelva a insertarlas al cabo de unos minutos. Si con ello no resuelve el problema, siga las indicaciones de resolución de problemas para el código de error que se indican a continuación.

ES

Pantalla LCD	Descripción	Código de error en la pantalla LCD	Indicador del estado del cortacésped	Pitido	Causa	Solución
	El símbolo del sensor del asiento se muestra en la pantalla LCD	No procede	APAGADO	No	El usuario abandona el asiento, o se desconecta el sistema de enclavamiento de seguridad del asiento.	Si el usuario está sentado en el asiento y el símbolo se enciende, deje de usar el cortacésped inmediatamente y compruebe la conexión del asiento. Si se confirma que la conexión del asiento con el cortacésped es correcta, póngase en contacto con un técnico de servicio cualificado para que repare la máquina.
	El símbolo del interruptor de toma de fuerza parpadea	No procede	APAGADO	No	Se ha interrumpido el funcionamiento del motor de las cuchillas y el interruptor de toma de fuerza no está en la posición de desconexión.	Antes de reiniciar el cortacésped, presione el interruptor de la toma de fuerza hacia abajo para apagar los motores de la cuchilla. Consulte el apartado « <b>SOLUCIÓN DE PROBLEMAS</b> » de este manual como referencia.
	El icono de regeneración de energía parpadea ocasionalmente.	No procede	APAGADO	No	La energía cinética generada durante el frenado o la conducción cuesta abajo se convierte en electricidad para cargar las baterías.	Este es el funcionamiento normal. No es necesaria ninguna acción.
	El icono de CCS parpadea	No procede	APAGADO	No	La función CCS (sistema de control de crucero) ha fallado.	La función CCS no se podría establecer si el cortacésped conduce a muy baja velocidad o conduce marcha atrás.

Pantalla LCD	Descripción	Código de error en la pantalla LCD	Indicador del estado del corta-césped	Pitido	Causa	Solución	
Ver «Código de error»	El motor de conducción izquierdo no gira.	Fallo del motor de conducción izquierdo controlado por placa de circuitos.	413	APAGADO	Un pitido	Fallo de la placa de circuitos	Solicite las reparaciones a un técnico cualificado.
		El enchufe (trifásico, cable de alimentación) que conecta el motor de conducción izquierdo con la placa de circuitos correspondiente se ha soltado.	317	APAGADO	Un pitido	Se ha perdido la conexión	
		El enchufe (de seis clavijas, cable de señal) que conecta el motor de conducción izquierdo con la placa de circuitos correspondiente se ha soltado.	301	APAGADO	Un pitido	Se ha perdido la conexión	
		Fallo del motor de conducción izquierdo.	317	APAGADO	Un pitido	Fallo del motor	

**ES**

**ES**

Pantalla LCD	Descripción	Código de error en la pantalla LCD	Indicador del estado del corta-césped	Pitido	Causa	Solución	
Ver «Código de error»	El motor de conducción derecho no gira.	Fallo del motor de conducción derecho controlado por placa de circuitos.	313	APAGADO	Un pitido	Fallo de la placa de circuitos	Solicite las reparaciones a un técnico cualificado.
		El enchufe (trifásico, cable de alimentación) que conecta el motor de conducción derecho con la placa de circuitos correspondiente se ha soltado.	417	APAGADO	Un pitido	Se ha perdido la conexión	
		El enchufe (de seis clavijas, cable de señal) que conecta el motor de conducción derecho con la placa de circuitos correspondiente se ha soltado.	401	APAGADO	Un pitido	Se ha perdido la conexión	
		Fallo del motor de conducción derecho.	417	APAGADO	Un pitido	Fallo del motor	

Pantalla LCD	Descripción		Código de error en la pantalla LCD	Indicador del estado del corta-césped	Pitido	Causa	Solución
Ver «Código de error»	El motor de las cuchillas izquierdo no gira.	Fallo del motor de las cuchillas izquierdo controlado por placa de circuitos.	607	No procede	Un pitido	Fallo de la placa de circuitos	Solicite las reparaciones a un técnico cualificado.
		El enchufe (trifásico, cable de alimentación) que conecta el motor de las cuchillas izquierdo con la placa de circuitos correspondiente se ha soltado.	509	No procede	Un pitido	Se ha perdido la conexión	Inspeccione primero la cuchilla. Si se ha aflojado, apriete el tornillo con el par recomendado. De lo contrario, solicite las reparaciones a un técnico cualificado.
		Fallo del motor de las cuchillas izquierdo.	509	No procede	Un pitido	Fallo del motor	
Ver «Código de error»	El motor de las cuchillas derecho no gira.	Fallo del motor de las cuchillas derecho controlado por placa de circuitos.	507	No procede	Un pitido	Fallo de la placa de circuitos	Solicite las reparaciones a un técnico cualificado.
		El enchufe (trifásico, cable de alimentación) que conecta el motor de las cuchillas derecho con la placa de circuitos correspondiente se ha soltado.	609	No procede	Un pitido	Se ha perdido la conexión	Inspeccione primero la cuchilla. Si se ha aflojado, apriete el tornillo con el par recomendado. De lo contrario, solicite las reparaciones a un técnico cualificado.
		Fallo del motor de las cuchillas derecho.	609	No procede	Un pitido	Fallo del motor	
Ver «Código de error»	Fallo del pedal del acelerador		311/ 411 307/ 407	APAGADO	Un pitido	Fallo de la placa de circuitos Se ha perdido la conexión	Solicite las reparaciones a un técnico cualificado.



**ES**

Pantalla LCD	Descripción	Código de error en la pantalla LCD	Indicador del estado del corta-césped	Pitido	Causa	Solución
Ver «Código de error»	Fallo del volante	312/ 412	APAGADO	Un pitido	Fallo de la placa de circuitos Se ha perdido la conexión	Solicite las reparaciones a un técnico cualificado.
Ver «Código de error»	Fallo del freno de estacionamiento, el corta-césped no se puede conducir.	La placa de circuitos del freno de estacionamiento, situada en el conjunto del bastidor delantero, está rota.	309/ 409	APAGADO	Un pitido	Solicite las reparaciones a un técnico cualificado.
		Está roto el interruptor y/o el cable del freno de estacionamiento.	801	APAGADO	Un pitido	
APAGADO	Error del puerto de carga	No procede	ROJO fijo	No procede	El puerto de carga está en circuito abierto.	Solicite las reparaciones a un técnico cualificado.
		No procede	ROJO fijo	No procede	No hay alimentación eléctrica.	Compruebe si en la toma de corriente hay una alimentación de 220 – 240 V y si el enchufe está en buen estado.
		No procede	ROJO fijo	No procede	El fusible está fundido.	Solicite las reparaciones a un técnico cualificado.
Ver «Código de error»	Error en el puerto de carga	204	No procede	Un pitido	El puerto de carga está en circuito abierto.	Solicite las reparaciones a un técnico cualificado.

Pantalla LCD	Descripción	Código de error en la pantalla LCD	Indicador del estado del corta-césped	Pitido	Causa	Solución
Ver «Código de error»	No funciona el conjunto de la caja de baterías.	217	No procede	Un pitido	La fuente de alimentación desde el conjunto de la caja de baterías está rota. Los faros LED y el USB no funcionan.	Solicite las reparaciones a un técnico cualificado.
		310/ 410	APAGADO	Un pitido	No funciona la conexión entre los cables tipo C del conjunto de la caja de baterías y otros cables tipo C del cortacésped.	
		201/ 202/ 203	APAGADO	Un pitido	El BMS del conjunto de la caja de baterías está roto.	
Ver «Código de error»	Error del interruptor de arranque/parada	314/ 414	APAGADO	Un pitido	Fallo de la placa de circuitos del interruptor o mala conexión de cable del interruptor de arranque/parada.	Solicite las reparaciones a un técnico cualificado.
Ver «Código de error»	Error de la pantalla LCD	315/ 415	APAGADO	Un pitido	Rotura del conjunto de la pantalla LCD o mala conexión de cable del conjunto de la pantalla LCD.	Solicite las reparaciones a un técnico cualificado.

**ES**

## GARANTÍA

### POLÍTICA DE GARANTÍA DE EGO

Visite la página web [egopowerplus.com](http://egopowerplus.com) para conocer los términos y condiciones completos de la política de garantía de EGO.

## LEIA TODAS AS INSTRUÇÕES!



**LEIA O MANUAL DE INSTRUÇÕES**

PT

## SÍMBOLO DE SEGURANÇA

O objetivo dos símbolos de segurança é chamar a atenção para possíveis perigos. Os símbolos de segurança e as explicações apresentadas com eles requerem a sua atenção e compreensão. Os avisos de segurança, só por si não eliminam o perigo. As instruções e avisos dados não são substitutos para medidas de prevenção adequadas a acidentes.

**⚠ AVISO:** Certifique-se de que lê e compreende todos os avisos de segurança neste manual do utilizador, incluindo todos os símbolos de alerta de segurança, como “**PERIGO**”, “**AVISO**” e “**CAUIDADO**” antes de usar esta ferramenta. Não seguir todas as instruções apresentadas abaixo pode resultar em choque elétrico, incêndio e/ou ferimentos graves.

## SIGNIFICADO DOS SÍMBOLOS

Esta página retrata e descreve os símbolos de segurança que podem aparecer neste produto. Leia, compreenda e siga todas as instruções na máquina antes de tentar montar e utilizar.

## SÍMBOLOS DE SEGURANÇA



Alerta de segurança



Proteção ocular



PERIGO - Perigo em encostas íngremes



Nunca transporte crianças



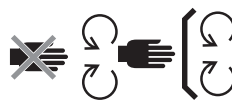
AVISO - Não use esta máquina em inclinações superiores a 12°.



AVISO - MANTENHA AS MÃOS E PÉS AFASTADOS



Leia e compreenda o manual de instruções.



Proceda à manutenção dos dispositivos de segurança.



PERIGO - Mantenha as outras pessoas afastadas das lâminas.



Olhe para trás enquanto faz marcha-atrás.



PERIGO - Podem ser atirados objetos.



Nível de potência do som garantido. De acordo com as diretivas da União Europeia.



Não suba



Os produtos elétricos residuais não deverão ser eliminados juntamente com o lixo doméstico comum. Entregue-os num centro de reciclagem autorizado.



Este produto encontra-se em conformidade com as diretivas CE aplicáveis.



CUIDADO - Não olhe diretamente para a luz de funcionamento.

PT



Corrente direta



Este produto encontra-se em conformidade com a legislação no Reino Unido.

kPa	Kilopascal
V	Volts
entrada	Polegada
Nm	Newton Metros
°C	Celsius
km/h	Quilómetros por hora

RPM	Rotações por minuto
m	Metros
cm	Centímetros
mm	Milímetros
kg	Quilograma
IPX4	Grau de proteção de entrada

## SÍMBOLOS DE SEGURANÇA



A informação tem de ser anotada



A ação indicada pára

## CARACTERÍSTICAS TÉCNICAS

Voltagem		56 V
Tamanho da plataforma		107 cm
Tamanho da roda	Frente	279,4 x 101,6 – 127 mm
	Parte de trás	457,2 x 241,3 – 203.2 mm
Pressão do pneu frio	Frente	222,1 kPa
	Parte de trás	110,3 kPa
Raio de viragem		0
Velocidade da lâmina (RPM)		2400; 2600; 2800; 3000

Velocidade máxima de condução	Avançar	4,8 km/h, 8,1 km/h, 9,7 km/h, 11,3 km/h (12,8 km/h no modo de viagem)
	Retroceder	Até 5,6 km/h
A carregar	Carregador (opcional)	CHV1600E
	Adaptador (opcional)	ACA1000
	Raio da temperatura de carregamento	5°C - 40°C

Ajuste da altura de corte (10 posições)	25 – 100 mm	
Temperatura de funcionamento	0°C - 40°C	
Temperatura de armazenamento	-20°C - 70°C	
Peso (sem a bateria)	196 kg	
Nível de potência do som medido $L_{WA}$	96,44 dB(A) K=0,68 dB(A)	
Nível da pressão do som no ouvido do operador $L_{PA}$	X84,3 dB(A) K=3,0 dB(A)	
Nível de potência acústica garantido $L_{WA}$ (medido de acordo com 2000/14/CE)	100 dB(A)	
Vibração $a_h$	Mão	1,221 m/s <sup>2</sup> K=1,5 m/s <sup>2</sup>
	Corpo	0,568 m/s <sup>2</sup> K=1,5 m/s <sup>2</sup>

- O valor total declarado da vibração foi medido de acordo com um método de teste padrão e pode ser usado para comparar duas ferramentas.
- O valor total declarado da vibração também pode ser usado numa avaliação preliminar da exposição.

**AVISO:** A emissão de vibrações durante a utilização da ferramenta elétrica pode diferir do valor declarado em que a ferramenta é usada. De modo a proteger o utilizador, este deverá usar luvas e proteção auditiva nas condições atuais de utilização.

## ACESSÓRIOS RECOMENDADOS

**AVISO:** Use apenas peças sobresselentes idênticas listadas abaixo. A utilização de peças que não vão ao encontro das especificações do equipamento original pode dar origem a um desempenho inadequado e comprometer a segurança.

NOME DA PEÇA	NÚMERO DO MODELO
Lâmina padrão	AB4200
Lâmina de elevação alta	AB4201

Tampa de adubar	AMP4200
Conjunto do saco de recolha da relva	ABK4200-A
Amortecedor traseiro	AMB1000
Caixa de carga	AMG1000
Guarda-sol	AMS1000

## DESCRIÇÃO

### CONHEÇA O SEU CORTA-RELVA (Imagem A1)

1. Assento
2. Porta de carregamento
3. Unidade da alimentação
4. Farol traseiro LED
5. Compartimento de arrumação
6. Luz lateral LED
7. Roda traseira (roda condutora)
8. Porta de lavagem
9. Plataforma
10. Protetor da plataforma
11. Roda anti-scalp
12. Roda dianteira
13. Pedal do travão de estacionamento
14. Luzes de marcha diurnas
15. Luzes LED
16. Pedal do acelerador
17. Área de descanso dos pés
18. Saída de descarga lateral
19. Alavanca de ajuste da altura da plataforma
20. Manípulo de ajuste da suspensão do assento
21. Volante
22. Caixa lateral direita
23. Alavanca de ajuste da posição do assento
24. Interruptor PTO
25. Botão de Iniciar/Parar
26. Chave de segurança
27. Ranhura de arrumação do telefone

28. Suportes para copo
29. Pá esquerda
30. Indicador do estado do corta-relva
31. Ecrã LCD
32. Pá direita
33. Botão de ajuste da velocidade da lâmina
34. Botão CCS
35. Botão do modo de condução
36. Interruptor da luz LED
37. Botão de ajuste da velocidade de condução
38. Botão de libertação da cobertura da unidade da alimentação
39. Cobertura da unidade da alimentação
40. Unidade da alimentação com seis compartimentos da bateria
41. Botão de libertação da bateria
42. Engate
43. Cobertura de montagem do acessório
44. Porta USB

### CONHEÇA O ECRÃ LCD (Imagem A2)

Consulte a secção “REFERÊNCIA DO ESTADO DO CORTA-RELVA E CÓDIGO DE FALHA” para obter mais informações acerca dos ícones e indicadores no ecrã LCD.

1. Ícone de inversão
2. Ícone CCS
3. Ícone da chave de segurança
4. Ícone das luzes LED
5. Ícone de estacionamento automático
6. Ícone USB
7. Indicador da velocidade da lâmina
8. Indicador do estado do dispositivo de segurança
9. Contador das horas de utilização
10. Ícone do compartimento da bateria vazio
11. Ícone da Temperatura
12. Ícone do compartimento da bateria ocupado
13. Modo de condução

14. Indicador do código de erro
15. Indicador de sobrecarga
16. Indicador de energia fraca
17. Manómetro do combustível
18. Indicador de carga
19. Indicador da velocidade de condução

PT

## DESEMPACOTAR

**AVISO:** Guarde o material de empacotamento até ter inspecionado cuidadosamente e ter utilizado de modo satisfatório o produto. Se houver peças na lista de peças montadas na máquina, contacte imediatamente o serviço EGO.

**AVISO:** Exceto as ferramentas na lista de peças apresentada abaixo, todas as outras ferramentas mencionadas nos manuais são recomendadas, mas não fornecidas.

**AVISO:** Não retire o bloco de espuma por baixo do volante antes de ter instalado corretamente o volante. A vibração durante o movimento pode causar danos no volante.

### LISTA DE PEÇAS (IMAGEM B)

B-1	Trator corta-relva Zero Turn	B-2	Assento
B-3	Tampa de adubar	B-4	Parafusos de cabeça do bocal (2 extra)
B-5	Chave sextavada	B-6	Chave de caixa
B-7	Chave de extremidade aberta	B-8	Chaves de segurança
B-9	Acoplador rápido da porta de lavagem	B-10	Manuais do utilizador

## MONTAGEM

### INSTALAR O ASSENTO (Imagem C1 e C4)

**AVISO:** O sistema de bloqueio de segurança não pode ser desligado nem anulado. Se o fizer, o trator corta-relva pode começar a funcionar inesperadamente, dando origem a ferimentos.

PT

**AVISO:** Para sua segurança, o trator corta-relva pode parar se o interruptor do assento for desligado durante a condução. Neste caso, consulte a secção “**RESOLUÇÃO DE PROBLEMAS**” para obter mais informações.

C1-1	Tomada	C1-2	Ficha
C1-3	Fio	C2-1	Braço do assento
C2-2	Base de suspensão	C2-3	Chave sextavada
C2-4	Parafusos de cabeça do bocal	C2-5	Alavanca de ajuste da posição do assento
C3-1	Calhas de aço	C3-2	Chave sextavada
C3-3	Parafusos de cabeça do bocal	C4-1	Gancho

### INSTALAR O VOLANTE (Imagem C5 - C6)

C5-1	Parafuso de fixação	C5-2	Barra
C6-1	Bloco de localização	C6-2	Ranhura
C6-3	Protetor de volante		

### FIXAR A TAMPA DE ADUBAR (Imagem C7)

C7-1	Saída lateral de descarga	C7-2	Tampa de adubar
C7-3	Mola móvel		

## AJUSTE

### ANTES DO AJUSTE (Imagem D1)

#### AJUSTAR A ALTURA DA PLATAFORMA DE CORTE (Imagem D2)

#### AJUSTAR AS RODAS ANTI-SCALP (Imagem D3 - D6)

D3-1	Roda anti-scalp	D5-1	Porca
D5-2	Parafuso de roda	D6-1	Etiqueta da altura da plataforma

#### AJUSTAR O ASSENTO (Imagem D7)

D7-1	Alavanca de ajuste da posição do assento	D7-2	Manípulo de ajuste da suspensão do assento
------	--	------	--

#### INSTALAR O VOLANTE (Imagem D8)

D8-1	Parafuso de fixação	D8-2	Barra
D8-3	Bloco de localização	D8-4	Ranhura

## FUNCIONAMENTO

### ANTES DO FUNCIONAMENTO (Imagem E1)

#### CONFIGURAÇÃO DO TRAVÃO DE ESTACIONAMENTO (Imagem E2)

E2-1	Posição de libertado	E2-2	Posição de travagem
------	----------------------	------	---------------------

**AVISO:** Nunca pressione o pedal do travão de estacionamento para abrandar a velocidade. Quando o pedal do travão de estacionamento for pressionado o suficiente, mas não na posição de estacionamento total, o corta-relva pára de se mover numa superfície plana, mas se isso acontecer numa encosta, o corta-relva pode deslizar pela encosta abaixo.



## FIXAR/RETIRAR A BATERIA (Imagem E3 – E6)

De modo a ligar este corta-relva, precisa de baterias da EGO com 15 Ah (2 X BA4200/BA4200T) ou mais. Para um melhor desempenho, recomendamos a utilização de baterias da EGO com um total de 30 Ah ou mais.

E3-1	Botão de libertação da cobertura	E5-1	Botão de libertação da bateria
------	----------------------------------	------	--------------------------------

## CARREGAR O TRATOR CORTA-RELVA

Utilize apenas com as baterias e carregadores recomendados.

- Carregar separadamente as baterias (Imagem E7)

**AVISO:** Consulte o manual da bateria e do carregador para obter mais instruções detalhadas.

- Carregar as baterias através da porta de carregamento (Imagem E8 - E10)

E10-1	Tampa do pó	E10-2	Porta de carregamento
-------	-------------	-------	-----------------------

## TESTAR O SISTEMA DE BLOQUEIO DE SEGURANÇA

- Testar o sistema da plataforma-lâmina (Imagem E11 - E12)
- Testar o sistema de condução (Imagem E13 - E14)

Se o sistema plataforma-lâmina e/ou o sistema de condução não pararem quando o operador se levantar do assento, e se a causa não puder ser determinada após confirmar a correta ligação da ficha e da tomada do assento, contacte imediatamente o seu centro de apoio ao cliente EGO.

## LISTA DE VERIFICAÇÃO ANTES DA UTILIZAÇÃO

- Certifique-se de que não se encontram presentes crianças, outras pessoas ou animais na área de trabalho.
- Limpe a área de trabalho de objetos que possam ser atirados pelas lâminas do corta-relva.
- Limpe os resíduos do corta-relva.
- Verifique se existem fixadores soltos.

- Certifique-se de que todas as proteções estão no devido lugar e a funcionar corretamente.
- Inspeccione visualmente se os pneus têm ar.
- Verifique o funcionamento do travão.
- Ajuste a altura da plataforma para a posição de corte que melhor se adequa ao relvado, e ajuste as rodas anti-scalp conforme necessário.
- Ajuste a posição do assento e certifique-se de que chega a ambos os pedais.
- Ajuste o volante para a posição desejada, se necessário.
- Verifique o nível de carga da bateria.
- Teste o sistema de bloqueio de segurança.

PT

## LIGAR O CORTA-RELVA (Imagem E15 - E16)

**⚠ AVISO:** Evite arranques, paragens e curvas repentinas, bem como velocidade excessiva, especialmente quando estiver a aprender a operar o corta-relva. O corta-relva pode girar rapidamente, o que pode fazer com que perca o controlo e dar origem a ferimentos sérios e/ou danos.

**⚠ AVISO:** Antes de ligar a máquina de cortar relva, verifique e certifique-se de que as lâminas ficam desativadas no espaço de 5 segundos quando pressionar o interruptor PTO para baixo. Se as lâminas não pararem, não use o corta-relva e contacte imediatamente o seu serviço de apoio ao cliente EGO.

**AVISO:** Siga a Imagem E17 e Imagem E18 para obter a velocidade de condução mais baixa e modo de condução PADRÃO até ser completamente capaz de operar o corta-relva em todas as situações.

O corta-relva guarda e apresenta o modo de condução anterior, velocidade de condução e calibragem do volante quando é reiniciado.

## AJUSTE DO MODO DE CONDUÇÃO (Imagem E17)

- **CONTROLO:** Aceleração mais baixa, manuseamento menos sensível e velocidade de viragem neutra para proteger a relva e para novos utilizadores.
- **PADRÃO:** Perfeito para o uso diário.
- **DESPORTIVO:** Maior aceleração, manuseamento preciso e viragem rápida para maximizar a eficiência de corte e para os entusiastas de cortar relva.

**NOTA:** O modo de condução não pode ser ajustado durante a condução. A função é ativada apenas quando a unidade da alimentação for parada.

### Ajuste da velocidade de condução (Imagem E18)

**NOTA:** No modo "TURBO", prima "-". A velocidade de condução volta ao modo anterior.

PT

### Ajuste da velocidade da lâmina (Imagem E19)

#### Luzes LED

- Os faróis, luzes laterais e luzes traseiras são controlados pelo interruptor da luz LED.
- As luzes de marcha permanecem ligadas durante a condução.
- Quando fizer marcha-atrás, as luzes traseiras que estavam desligadas começam a piscar para avisar outras pessoas. Se as luzes traseiras forem ligadas, permanecem ligadas.
- Todas as luzes são desligadas automaticamente quando o trator corta-relva se desliga automaticamente passado um período de inatividade.

#### Porta USB

**AVISO:** A porta USB fornece uma potência de carregamento de 5 volts DC de 1,5 amperes combinados, e é alimentada apenas quando o corta-relva é ligado.

### PARAR O CORTA-RELVA (Imagem E20)

**AVISO:** Passados mais de 60 minutos sem ser utilizado, o corta-relva desliga-se automaticamente.

#### Modo limitado

Quando a carga da bateria ficar criticamente baixa, o corta-relva entra no modo limitado para preservar energia suficiente para voltar para a área de carregamento.

- As lâminas passam para uma velocidade de rotação baixa, podendo cortar apenas pequenas quantidades de relva. Quando encontrar relva alta e densa, as lâminas param de rodar. O indicador sonoro emite um som intermitente.
- O indicador do estado do corta-relva pisca a vermelho a cada segundo, e tanto o indicador

de energia fraca como os gráficos da bateria no manómetro do combustível piscam.

O operador deverá:

- Pressionar o interruptor PTO para baixo para desligar os motores da lâmina. O indicador sonoro pára de emitir sons quando os motores da lâmina pararem.
- Pare de trabalhar e vá para a área de carregamento o mais depressa possível. A distância máxima que o corta-relva consegue viajar é de 1000 m.

Quando a bateria estiver quase gasta, o ícone de cada compartimento da bateria e o indicador de energia fraca piscam a cada meio segundo. O corta-relva pára imediatamente de funcionar. O operador tem de transportar o corta-relva para a área de carregamento para se proceder ao carregamento.

**AVISO:** Se precisar de empurrar manualmente, certifique-se de que as baterias estão desligadas do corta-relva e que o pedal do travão de estacionamento está desativado.

### CONDUZIR O CORTA-RELVA (Imagem E21)

**⚠ PERIGO:** Permaneça a, pelo menos, duas larguras de corte de quaisquer valas, fossos ou água. As rodas dianteiras podem rodar quando o corta-relva estiver parado, mesmo que tenha o travão ativado, e fazer com que o corta-relva caia para um buraco ou para dentro de água, resultando em morte ou ferimentos sérios.

**⚠ AVISO:** Tenha em conta o que está atrás do corta-relva antes de fazer marcha-atrás. NÃO corte relva em marcha-atrás, exceto se for absolutamente necessário. Olhe sempre para baixo e para trás antes e durante a marcha-atrás, para se certificar de que não há crianças, outras pessoas ou animais na área de corte. Lembre-se de que uma fração de segundo de desatenção é o suficiente para sofrer um ferimento sério ou morte.

**⚠ AVISO:** Não utilize a máquina em vias públicas.

**⚠ AVISO:** Se ocorrer um bloqueio ou se bater contra um objeto estranho, pare os motores e retire a bateria. Retire restos de relva, folhas, sujidade e outros detritos acumulados, inspecione bem o corta-relva quanto a danos e repare os danos antes de reiniciar e voltar a utilizar o corta-relva.

## USAR O CRUISE CONTROL (CCS)

### Ativar o CCS durante a condução (Imagem E22)

**NOTA:** O nível da velocidade de condução apresentado no ecrã LCD pode não representar com precisão a velocidade atual de condução do corta-relva no cruise control. Prima um dos botões de ajuste da velocidade (“←” ou “→”) para “atualizar” e ajustar o nível de velocidade de condução no ecrã LCD.

**Para sair do CCS e parar o corta-relva,** pode seleccionar uma das quatro maneiras:

- Pressione ligeiramente o pedal do acelerador e liberte-o.
- Puxe as pás direita/esquerda na direção do operador e liberte.
- Pressione o pedal do travão de estacionamento.
- Prima o botão CCS.

**NOTA:** Pressione o pedal do acelerador por completo para atingir a velocidade de condução CCS, e mantenha-o pressionado. A função CCS pára e o corta-relva continua a avançar à velocidade atual.

## MANUTENÇÃO

**⚠ AVISO:** Use sempre proteções oculares com escudos laterais. Se não o fizer, pode apanhar com objetos nos olhos dando origem a possíveis ferimentos sérios.

**⚠ AVISO:** Proteja sempre as suas mãos usando luvas resistentes ou embrulhando as extremidades de corte com trapos ou com outros materiais quando efetuar qualquer manutenção na lâmina da máquina de cortar relva. Retire sempre a chave de segurança e a bateria quando reparar ou transportar a máquina de cortar relva.

Intervalo do serviço de manutenção	Processo de manutenção
Antes de cada utilização ou diariamente	<ul style="list-style-type: none"> <li>▪ Verifique o sistema de bloqueio de segurança.</li> <li>▪ Inspeccione visualmente se os pneus têm ar.</li> <li>▪ Inspeccione as lâminas.</li> <li>▪ Inspeccione todo o produto quanto a danos, peças em falta ou soltas, como a saída de descarga lateral, parafusos, porcas, tampas, etc., certificando-se de que todas as proteções estão no devido lugar e a funcionar corretamente.</li> <li>▪ Certifique-se de que o pedal do acelerador pode ser pressionado e libertado corretamente.</li> <li>▪ Verifique o amortecedor do volante. O volante deverá ser rodado com uma certa resistência.</li> </ul>
Após cada utilização	<ul style="list-style-type: none"> <li>▪ Limpe a plataforma do trator corta-relva.</li> </ul>
A cada 25 horas	<ul style="list-style-type: none"> <li>▪ Verifique a pressão dos pneus.</li> </ul>
A cada 100 horas	<ul style="list-style-type: none"> <li>▪ Verifique as rodas traseiras, certificando-se de que todas as porcas de roda estão apertadas com o binário recomendado.</li> </ul>
A cada 200 horas	<ul style="list-style-type: none"> <li>▪ Verifique as rodas dianteiras, certificando-se de que rodam livremente.</li> </ul>

PT

Antes do armazenamento	<ul style="list-style-type: none"> <li>Retire as baterias do corta-relva.</li> <li>Retire a chave de segurança do corta-relva.</li> <li>Efetue todos os procedimentos de manutenção listados acima, e limpe bem o corta-relva.</li> <li>Inspecione o produto por completo quanto a peças danificadas, em falta ou soltas. Substitua ou aperte as respectivas peças antes de proceder ao armazenamento.</li> </ul>
Anualmente	<ul style="list-style-type: none"> <li>Verifique o pedal do travão de estacionamento. Retire a bateria do corta-relva e coloque o pedal do travão de estacionamento na posição de travagem. Pressione manualmente o corta-relva para a frente para ver se este se move. Se se mover, leve-o para ser reparado por um técnico de reparação qualificado.</li> </ul>

## MANUTENÇÃO GERAL

### Limpeza da estrutura do corta-relva (Imagem F1 - F2)

### Usar a porta de lavagem para limpar a plataforma do corta-relva (Imagem F3 - F4)

F2-1	Porta de lavagem	F2-2	Acoplador rápido da porta de lavagem
F2-3	Mangueira de jardim		

**AVISO:** Quando terminar de limpar, desligue o corta-relva por completo e retire a mangueira de jardim e o acoplador rápido.

## PROCEDER À MANUTENÇÃO DA PLATAFORMA DO CORTA-RELVA E DAS LÂMINAS DE CORTE

### PREPARAÇÃO (Imagem G1)

### Retirar a plataforma do corta-relva (Imagem G2 - G3)

G2-1	Cabo do motor	G2-2	Elo de suspensão
G2-3	Perno		

**AVISO:** Desligue todos os cabos do motor e pernos quando retirar a plataforma do corta-relva.

### Substituir as lâminas de corte (Imagem G4 - G6)

G4-1	Estabilizador	G5-1	Parafuso
G5-2	Anilha	G5-3	Lâmina
G5-4	Rebordo	G5-5	Eixo do motor

### Nivelar a plataforma do trator corta-relva

#### a. Quando nivelar (Imagem G7 - G9)

#### b. Antes de nivelar

- Verificar a pressão do pneu frio (Imagem G10)
- Verifique as lâminas de corte. Retire e substitua as lâminas gastas, rachadas e/ou dobradas conforme necessário.

#### c. Preparação para nivelar (Imagem G11)

#### d. Como nivelar

- Para efetuar ajuste lado a lado (Imagem G12)
- Para efetuar ajuste frente-atrás (Imagem G13)

## CALIBRAR O SISTEMA DE MONITORIZAÇÃO DO CORTA-RELVA (Imagem H1 - H2)

**AVISO:** O indicador sonoro emite um som quando a calibragem for iniciada e quando a calibragem for terminada.

**NOTA:** A calibragem completa para um dos modos de condução (“CONTROLO”, “PADRÃO”, “DESPORTIVO”) pode não estar disponível para os outros dois modos. Calibre o volante em cada modo de condução de forma independente, conforme necessário.

## REINICIAR O CORTA-RELVA COM AS PREDEFINIÇÕES DE FÁBRICA (Imagem I)

**AVISO:** O indicador sonoro emite um som quando o reiniciar for iniciado e quando o reiniciar for terminado.

**NOTA:** Quando o reiniciar for efetuado com sucesso, as definições apresentadas abaixo voltam às predefinições de fábrica:

- Modo de condução
- Velocidade de condução
- Calibragem do volante

## ARMAZENAMENTO E TRANSPORTE

### TRANSPORTAR O TRATOR CORTA-RELVA (Imagem J1 - J5)

**AVISO:** Fixe o trator corta-relva conforme necessário, usando correias ou cabos para evitar o movimento durante o transporte.

PT

### ARMAZENAMENTO (Fig. K1 — K2)

**AVISO:** Retire as baterias e guarde-as. Consulte os respectivos manuais.

Limpe e verifique o trator corta-relva antes do armazenamento. Consulte as secções “**LIMPEZA DO CORTA-RELVA**” e “**AGENDAS DE MANUTENÇÃO RECOMENDADAS**”.

#### Proteja o ambiente



REEE (Resíduos de Equipamento Elétrico e Eletrónico) Não elimine equipamento elétrico, bateria gasta nem carregador juntamente com o lixo doméstico comum! Leve este produto a um centro de reciclagem autorizado para que possa haver uma separação das peças. As ferramentas elétricas têm de ser devolvidas em instalações de reciclagem ambientalmente compatíveis.

## RESOLUÇÃO DE PROBLEMAS

PT


PROBLEMA	CAUSA	SOLUÇÃO
<p>O trator corta-relva Zero Turn não avança quando o pedal do acelerador é pressionado.</p>	<ul style="list-style-type: none"> <li>▪ O Ah combinado das baterias inseridas não vai ao encontro dos requisitos.</li> </ul>	<ul style="list-style-type: none"> <li>▪ Para ligar este trator corta-relva, use baterias EGO suficientes, seguindo as instruções na secção <b>“FIXAR/RETIRAR A BATERIA”</b> neste manual.</li> </ul>
	<ul style="list-style-type: none"> <li>▪ O pedal do travão de estacionamento está na posição de travagem.</li> </ul>	<ul style="list-style-type: none"> <li>▪ Pressione por completo o pedal do travão de estacionamento para o libertar da posição de travagem.</li> </ul>
	<ul style="list-style-type: none"> <li>▪ Ambas as pás esquerda e direita não são puxadas brevemente na direção do operador para que o indicador do estado do corta-relva acenda a verde quando liga o trator corta-relva.</li> </ul>	<ul style="list-style-type: none"> <li>▪ Puxe <b>AMBAS</b> as pás direita/esquerda em simultâneo na direção do operador e liberte. O indicador do estado do corta-relva acende a verde, o que significa que o trator corta-relva está pronto para ser utilizado.</li> </ul>
	<ul style="list-style-type: none"> <li>▪ O operador não está sentado no assento.</li> </ul>	<ul style="list-style-type: none"> <li>▪ Apenas quando o operador estiver sentado corretamente no assento é que pode operar o corta-relva.</li> </ul>
	<ul style="list-style-type: none"> <li>▪ O interruptor do assento não está ligado corretamente.</li> </ul>	<ul style="list-style-type: none"> <li>▪ Retire a bateria do corta-relva e desmonte o assento pela ordem inversa às instruções na secção <b>“INSTALAR O ASSENTO”</b> neste manual, para se certificar de que a ficha do cabo foi ligada corretamente na tomada no fundo do assento. Volte a montar o assento e siga as instruções em <b>“LIGAR O TRATOR CORTA-RELVA”</b> para voltar a ligar o corta-relva, para ver se este pode ser ligado. Se não for o caso, contacte um técnico de reparação qualificado para proceder à reparação.</li> </ul>
	<ul style="list-style-type: none"> <li>▪ Quando estiver muito frio, a função de condução pode não ligar com sucesso, devido à proteção contra baixa temperatura.</li> </ul>	<ul style="list-style-type: none"> <li>▪ Guarde sempre o corta-relva e a bateria num ambiente quente. Volte a ligar o corta-relva quando este aquecer. Não faça tentativas repetidas em condições de frio extremo que possam danificar a máquina.</li> </ul>
	<ul style="list-style-type: none"> <li>▪ A zona do pedal do acelerador está obstruída com resíduos.</li> </ul>	<ul style="list-style-type: none"> <li>▪ Verifique e retire os resíduos.</li> </ul>
	<ul style="list-style-type: none"> <li>▪ Falha dos componentes mecânicos ou eletrónicos do pedal do acelerador.</li> </ul>	<ul style="list-style-type: none"> <li>▪ Contacte um técnico de reparação qualificado para proceder à reparação.</li> </ul>



PROBLEMA	CAUSA	SOLUÇÃO
O trator corta-relva Zero Turn pára.	<ul style="list-style-type: none"> <li>A pá esquerda/direita tem de ser “reiniciada”.</li> </ul>	<ul style="list-style-type: none"> <li>Puxe as pás direita/esquerda na direção do operador e liberte-as. O trator corta-relva está pronto para ser conduzido quando o indicador do estado acender a verde.</li> </ul>
	<ul style="list-style-type: none"> <li>Falha dos componentes eletrónicos do pedal do acelerador.</li> </ul>	<ul style="list-style-type: none"> <li>Contacte um técnico de reparação qualificado para proceder à reparação.</li> </ul>
	<ul style="list-style-type: none"> <li>O sistema de bloqueio de segurança foi desligado durante a condução em terrenos difíceis.</li> </ul>	<ul style="list-style-type: none"> <li>Retire a bateria do corta-relva e desmonte o assento pela ordem inversa às instruções na secção “<b>INSTALAR O ASSENTO</b>” neste manual, para se certificar de que a ficha do cabo foi ligada corretamente na tomada no fundo do assento. Volte a montar o assento e siga as instruções em “<b>LIGAR O TRATOR CORTA-RELVA</b>” para voltar a ligar o corta-relva, para ver se este pode ser ligado. Se não for o caso, contacte um técnico de reparação qualificado para proceder à reparação.</li> </ul>
	<ul style="list-style-type: none"> <li>O peso do operador não está distribuído uniformemente pelo assento. O peso do operador no assento tem de ser, pelo menos, de 20 kg para que o sistema de bloqueio de segurança funcione corretamente.</li> </ul>	<ul style="list-style-type: none"> <li>Sente-se corretamente no assento, puxe ambas as pás esquerda e direita na direção do operador e liberte-as. Depois, o trator corta-relva está pronto para ser conduzido.</li> </ul>
	<ul style="list-style-type: none"> <li>Desligue e volte a ligar a bateria, se necessário.</li> </ul>	
O modo de condução não pode ser ajustado durante a condução.	<ul style="list-style-type: none"> <li>O pedal do travão de estacionamento é pressionado para abrandar a velocidade de condução. Quando o pedal do travão de estacionamento for pressionado o suficiente, mas não até à posição de estacionamento, o corta-relva pára de se mover.</li> </ul>	<ul style="list-style-type: none"> <li>Siga as instruções na secção “<b>LIGAR O TRATOR CORTA-RELVA</b>” para reiniciar o corta-relva.</li> </ul>
	<ul style="list-style-type: none"> <li>Esta é uma funcionalidade do trator corta-relva Zero Turn para uma condução segura.</li> </ul>	<ul style="list-style-type: none"> <li>A função é ativada apenas quando a unidade da alimentação for parada.</li> </ul>

PT



PROBLEMA	CAUSA	SOLUÇÃO
<p>O trator corta-relva Zero Turn não liga as lâminas quando o interruptor PTO é ativado.</p>  <p>O ícone do interruptor PTO começa a piscar.</p>	<ul style="list-style-type: none"> <li>▪ O Ah combinado das baterias inseridas não vai ao encontro dos requisitos.</li> </ul>	<ul style="list-style-type: none"> <li>▪ Para ligar este trator corta-relva, use baterias EGO suficientes, seguindo as instruções na secção <b>“FIXAR/RETIRAR A BATERIA”</b> neste manual.</li> </ul>
	<ul style="list-style-type: none"> <li>▪ O interruptor PTO não foi premido quando o corta-relva foi desligado da última vez.</li> </ul>	<ul style="list-style-type: none"> <li>▪ Pressione o interruptor PTO para baixo e depois para cima para reiniciar os motores da lâmina.</li> </ul>
	<ul style="list-style-type: none"> <li>▪ O corta-relva estava sobrecarregado quando as lâminas começaram a funcionar, dando origem à proteção automática do motor.</li> </ul>	<ul style="list-style-type: none"> <li>▪ Ligue primeiro com a velocidade mais baixa da lâmina e não aumente a velocidade da lâmina até que as lâminas estejam a rodar corretamente.</li> </ul>
	<ul style="list-style-type: none"> <li>▪ Quando estiver muito frio, o motor da lâmina pode não ligar com sucesso, devido à proteção contra baixa temperatura.</li> </ul>	<ul style="list-style-type: none"> <li>▪ Guarde sempre o corta-relva e a bateria num ambiente quente. Volte a ligar o corta-relva quando este aquecer. Não faça tentativas repetidas em condições de frio extremo que possam danificar a máquina.</li> </ul>
	<ul style="list-style-type: none"> <li>▪ A lâmina interfere com a plataforma deformada do corta-relva.</li> </ul>	<ul style="list-style-type: none"> <li>▪ Contacte o serviço de apoio ao cliente da EGO.</li> </ul>
	<ul style="list-style-type: none"> <li>▪ O trator corta-relva está a avançar à velocidade <b>“VIAGEM”</b>.</li> </ul>	<ul style="list-style-type: none"> <li>▪ Quando o trator corta-relva está a avançar à velocidade <b>“VIAGEM”</b>, os motores da lâmina param automaticamente.</li> </ul>

PROBLEMA	CAUSA	SOLUÇÃO
As lâminas param de funcionar durante o corte da relva.	<ul style="list-style-type: none"> <li>▪ O corta-relva está sobrecarregado.</li> </ul>	<ul style="list-style-type: none"> <li>▪ Aumente a altura de corte da plataforma ou abrande a velocidade de condução para reduzir a carga do corta-relva.</li> </ul>
	<ul style="list-style-type: none"> <li>▪ A plataforma do corta-relva está obstruída com relva e detritos.</li> </ul>	<ul style="list-style-type: none"> <li>▪ Limpe a plataforma do corta-relva e certifique-se de que as lâminas se movem livremente.</li> </ul>
	<ul style="list-style-type: none"> <li>▪ O corta-relva sobreaqueceu.</li> </ul>	<ul style="list-style-type: none"> <li>▪ Reduza a carga do corta-relva aumentando a altura de corte da plataforma ou diminuindo a velocidade da lâmina/condução, e permita ao corta-relva arrefecer.</li> </ul>
	<ul style="list-style-type: none"> <li>▪ As baterias no compartimento da bateria do corta-relva sobreaqueceram, dando origem a uma classificação Ah combinada de todas as baterias inseridas que não vai ao encontro dos requisitos.</li> </ul>	<ol style="list-style-type: none"> <li>1. O corta-relva pode continuar a funcionar se a taxa Ah combinada da bateria, excluindo a bateria sobreaquecida, for ao encontro dos requisitos. Quando a bateria sobreaquecida voltar à temperatura normal, volta a ligar o corta-relva.</li> </ol>
		<ol style="list-style-type: none"> <li>2. Se a classificação Ah combinada da bateria não for ao encontro dos requisitos, o corta-relva deixa de funcionar até que insira mais baterias nos compartimentos vazios da bateria.</li> </ol>
		<ol style="list-style-type: none"> <li>3. Reduza a carga do corta-relva aumentando a altura de corte da plataforma ou diminuindo a velocidade do corta-relva quando continuar o funcionamento.</li> </ol>
	<ul style="list-style-type: none"> <li>▪ O corta-relva está no modo limitado.</li> </ul>	<ul style="list-style-type: none"> <li>▪ Quando o corta-relva está no modo limitado, as lâminas passam automaticamente para uma velocidade de baixa rotação. O operador deverá parar de trabalhar e ir para a área de carregamento da bateria o mais depressa possível.</li> </ul>
	<ul style="list-style-type: none"> <li>▪ O corta-relva bateu num objeto estranho, dando origem à ativação da proteção automática do motor.</li> </ul>	<ul style="list-style-type: none"> <li>▪ Pressione o interruptor PTO para baixo e depois para cima para reiniciar os motores da lâmina.</li> </ul>
<ul style="list-style-type: none"> <li>▪ A velocidade do corta-relva é ajustada para o modo de "VIAGEM".</li> </ul>	<ul style="list-style-type: none"> <li>▪ Quando a velocidade do corta-relva estiver no modo de "VIAGEM", os motores da lâmina param automaticamente.</li> </ul>	

PROBLEMA	CAUSA	SOLUÇÃO
O indicador sonoro continua a emitir sons.	<ul style="list-style-type: none"> <li>▪ O corta-relva está no modo limitado e as lâminas não giram.</li> </ul>	<ul style="list-style-type: none"> <li>▪ Prima o interruptor PTO para baixo para desligar os motores da lâmina. O indicador sonoro pára de emitir sons quando os motores da lâmina pararem.</li> </ul>
	<ul style="list-style-type: none"> <li>▪ O corta-relva pára de avançar numa encosta e o operador sai do assento sem colocar o pedal do travão de estacionamento na posição de travagem.</li> </ul>	<ul style="list-style-type: none"> <li>▪ Coloque o pedal do travão de estacionamento na posição de travagem antes de deixar o corta-relva numa encosta.</li> </ul>
Os indicadores da bateria permanecem ligados quando o trator corta-relva é desligado.	<ul style="list-style-type: none"> <li>▪ Quando o corta-relva é desligado em piso nivelado sem retirar as baterias, os indicadores da bateria, o botão de iniciar/parar e o botão CCS permanecem ligados durante um certo espaço de tempo.</li> </ul>	<ul style="list-style-type: none"> <li>▪ Não é necessária qualquer ação. Os indicadores da bateria desligam-se quando o corta-relva se desligar passado um certo espaço de tempo. Consulte a secção “<b>PARAR O TRATOR CORTA-RELVA</b>” para os tempos específicos.</li> </ul>
	<ul style="list-style-type: none"> <li>▪ Quando o corta-relva é desligado numa encosta sem colocar o travão de estacionamento na posição de travagem, os indicadores da bateria permanecem ligados até que a bateria fique sem energia. O indicador sonoro continua a emitir sons.</li> </ul>	<ul style="list-style-type: none"> <li>▪ Coloque o pedal do travão de estacionamento na posição de travagem antes de deixar o corta-relva numa encosta.</li> </ul>
O ecrã LCD não acende com todos os ícones ligados.	<ul style="list-style-type: none"> <li>▪ O botão de iniciar/parar foi pressionado tempo suficiente.</li> </ul>	<ul style="list-style-type: none"> <li>▪ O ecrã LCD apresenta apenas “Manómetro do combustível” quando o botão de iniciar/parar for premido brevemente.</li> <li>▪ O ecrã LCD liga-se quando o botão de iniciar/parar for premido o tempo suficiente.</li> </ul>
O corta-relva corta de um modo pouco uniforme, com uma diferença de altura significativa entre a parte da frente e a parte de trás.	<ul style="list-style-type: none"> <li>▪ As lâminas estão rombas.</li> </ul>	<ul style="list-style-type: none"> <li>▪ Afie ou substitua a lâmina de corte conforme indicado neste manual.</li> </ul>
	<ul style="list-style-type: none"> <li>▪ As lâminas estão dobradas.</li> </ul>	<ul style="list-style-type: none"> <li>▪ Substitua a lâmina de corte dobrada seguindo as instruções na secção “<b>SUBSTITUIR AS LÂMINAS DE CORTE</b>”.</li> </ul>
	<ul style="list-style-type: none"> <li>▪ A plataforma do corta-relva não está nivelada, dando origem a uma altura diferente da lâmina de corte.</li> </ul>	<ul style="list-style-type: none"> <li>▪ Nivele a plataforma do trator corta-relva seguindo as instruções na secção “<b>NIVELAR A PLATAFORMA DO TRATOR CORTA-RELVA</b>”.</li> </ul>

PROBLEMA	CAUSA	SOLUÇÃO
A altura de corte da relva não está alinhada com a altura suposta.	<ul style="list-style-type: none"> <li>As porcas da plataforma do corta-relva estão soltas no elo de suspensão.</li> </ul>	<ul style="list-style-type: none"> <li>Siga as instruções na secção “<b>NIVELAR A PLATAFORMA DO TRATOR CORTA-RELVA</b>” para efetuar os ajustes corretos frente-trás da plataforma do corta-relva, e aperte bem as porcas no elo de suspensão.</li> </ul>
	<ul style="list-style-type: none"> <li>A plataforma do corta-relva está danificada ou seriamente gasta.</li> </ul>	<ul style="list-style-type: none"> <li>Siga as instruções na secção “<b>RETIRAR A PLATAFORMA DO CORTA-RELVA</b>” para substituir a plataforma do corta-relva.</li> </ul>
O corta-relva não aduba corretamente.	<ul style="list-style-type: none"> <li>Existe relva molhada colada na parte inferior.</li> </ul>	<ul style="list-style-type: none"> <li>Espere que a relva seque antes de cortar.</li> </ul>
	<ul style="list-style-type: none"> <li>O corta-relva foi configurado para cortar demasiada relva de uma vez.</li> </ul>	<ul style="list-style-type: none"> <li>Aumente a altura de corte da plataforma.</li> </ul>
Vibração excessiva.	<ul style="list-style-type: none"> <li>As lâminas de corte estão soltas.</li> </ul>	<ul style="list-style-type: none"> <li>Aperte o parafuso da lâmina com o binário recomendado.</li> </ul>
	<ul style="list-style-type: none"> <li>As lâminas estão dobradas.</li> </ul>	<ul style="list-style-type: none"> <li>Substitua a lâmina de corte dobrada seguindo as instruções na secção “<b>SUBSTITUIR AS LÂMINAS DE CORTE</b>”.</li> </ul>
	<ul style="list-style-type: none"> <li>A plataforma do corta-relva não está nivelada.</li> </ul>	<ul style="list-style-type: none"> <li>Nivele a plataforma do trator corta-relva seguindo as instruções na secção “<b>NIVELAR A PLATAFORMA DO TRATOR CORTA-RELVA</b>”.</li> </ul>
	<ul style="list-style-type: none"> <li>As porcas da plataforma do corta-relva estão soltas no elo de suspensão.</li> </ul>	<ul style="list-style-type: none"> <li>Aperte as porcas no elo de suspensão.</li> </ul>
	<ul style="list-style-type: none"> <li>O corta-relva foi configurado para cortar demasiada relva de uma vez.</li> </ul>	<ul style="list-style-type: none"> <li>Aumente a altura de corte da plataforma.</li> </ul>
Há relva ou detritos que ficam no chão após o corte.	<ul style="list-style-type: none"> <li>O corta-relva foi configurado para cortar demasiada relva de uma vez quando a relva está comprida.</li> </ul>	<ul style="list-style-type: none"> <li>Comece por uma altura de corte elevada e vá diminuindo até obter o resultado de corte desejado. Relva com mais de 15 cm deverá ser cortada duas vezes, com alturas de corte sucessivamente menores.</li> </ul>
	<ul style="list-style-type: none"> <li>A relva está molhada.</li> </ul>	<ul style="list-style-type: none"> <li>Não corte quando a relva estiver molhada. Espere que ela seque.</li> </ul>
	<ul style="list-style-type: none"> <li>A velocidade de condução é elevada.</li> </ul>	<ul style="list-style-type: none"> <li>Abrande a velocidade de condução.</li> </ul>
	<ul style="list-style-type: none"> <li>A velocidade da lâmina é baixa.</li> </ul>	<ul style="list-style-type: none"> <li>Aumente gradualmente a velocidade da lâmina.</li> </ul>

PROBLEMA	CAUSA	SOLUÇÃO
Tempo de funcionamento curto com a bateria incluída.	<ul style="list-style-type: none"> <li>▪ O terreno do relvado, o estado da relva, a altura de corte, velocidade de condução, velocidade da lâmina, etc., afetam imenso o tempo de funcionamento.</li> </ul>	<ul style="list-style-type: none"> <li>▪ Aumente a altura de corte da plataforma ou diminua a velocidade da lâmina para reduzir a carga de corte.</li> </ul>
O corta-relva não está a cortar a direito.	<ul style="list-style-type: none"> <li>▪ A pressão dos pneus traseiros esquerdo e direito é diferente.</li> </ul>	<ul style="list-style-type: none"> <li>▪ Verifique e ajuste a pressão do ar em ambos os pneus traseiros, de acordo com a recomendação na secção “<b>CARACTERÍSTICAS TÉCNICAS</b>”.</li> </ul>
	<ul style="list-style-type: none"> <li>▪ A velocidade de condução dos pneus traseiros esquerdo e direito são diferentes.</li> </ul>	<ul style="list-style-type: none"> <li>▪ Efetue a calibragem do volante seguindo as instruções na secção “<b>CALIBRAR O SISTEMA DE MONITORIZAÇÃO DO CORTA-RELVA</b>”.</li> </ul>
O pedal do travão de estacionamento não pode ser libertado da posição de travagem, ou demora muito tempo a voltar para trás.	<ul style="list-style-type: none"> <li>▪ Poderá haver detritos ou sujidade no interior do pedal do travão de estacionamento.</li> </ul>	<ul style="list-style-type: none"> <li>▪ Abra a caixa do pedal do travão de estacionamento para limpar bem o interior, e feche-a. Reinicie o pedal do travão de estacionamento para ver se o problema foi resolvido. Se não for o caso, contacte um técnico de reparação qualificado para proceder à reparação.</li> </ul>
O corta-relva não pode ser carregado através da porta de carregamento com o indicador do estado do corta-relva aceso a vermelho.	<ul style="list-style-type: none"> <li>▪ A ficha do carregador não foi inserida corretamente na porta de carregamento do corta-relva.</li> </ul>	<ul style="list-style-type: none"> <li>▪ Volte a ligar a ficha do carregador para ver se o corta-relva pode ser carregado normalmente.</li> </ul>
	<ul style="list-style-type: none"> <li>▪ As tomadas de parede não têm energia.</li> </ul>	<ul style="list-style-type: none"> <li>▪ Não é necessária qualquer ação. Espere até que a energia volte.</li> </ul>
	<ul style="list-style-type: none"> <li>▪ Mau funcionamento do carregador.</li> </ul>	<ul style="list-style-type: none"> <li>▪ Contacte o serviço de apoio ao cliente da EGO para proceder à inspeção, e, se necessário, peça para que o carregador seja reparado.</li> </ul>
	<ul style="list-style-type: none"> <li>▪ A porta do carregador no corta-relva está defeituosa.</li> </ul>	<ul style="list-style-type: none"> <li>▪ Contacte o serviço de apoio ao cliente da EGO.</li> </ul>
O tempo de carregamento através da porta de carregamento do corta-relva é muito longo.	<ul style="list-style-type: none"> <li>▪ Usar um adaptador EGO ACA1000 para carregar requer muito tempo.</li> </ul>	<ul style="list-style-type: none"> <li>▪ Use o carregador da EGO CHV1600E para carregar diretamente o trator corta-relva Zero Turn.</li> </ul>

PROBLEMA	CAUSA	SOLUÇÃO
A bateria não pode ser carregada por completo através da porta de carregamento do corta-relva.	<ul style="list-style-type: none"> <li>Bug do firmware do corta-relva, ou falha no carregador/bateria.</li> </ul>	<ul style="list-style-type: none"> <li>Reinicie o carregador desligando-o e esperando alguns minutos. Depois, volte a ligar a ficha à tomada. Se isto não resolver o problema contacte o serviço de apoio ao cliente da EGO.</li> </ul>
O corta-relva não se liga após a limpeza.	<ul style="list-style-type: none"> <li>Limpeza inadequada, como entrada de água nos componentes elétricos, ecrã LCD, etc.</li> </ul>	<ul style="list-style-type: none"> <li>Siga as instruções na secção <b>“MANUTENÇÃO GERAL”</b> para limpar corretamente o corta-relva.</li> </ul>
		<ul style="list-style-type: none"> <li>Se o corta-relva apanhar acidentalmente uma chuvada, deixe-o a secar, ou use ar comprimido para o secar.</li> </ul>
A plataforma do trator corta-relva fica obstruída rapidamente.	<ul style="list-style-type: none"> <li>A plataforma do trator corta-relva não foi limpa corretamente após uma utilização anterior.</li> </ul>	<ul style="list-style-type: none"> <li>Limpe a plataforma do trator corta-relva após cada utilização, seguindo as indicações na secção <b>“USAR A PORTA DE LAVAGEM PARA LIMPAR A PLATAFORMA DO TRATOR CORTA-RELVA”</b>.</li> </ul>
O corta-relva perde facilmente tração quando sobe uma encosta.	<ul style="list-style-type: none"> <li>Os pneus das rodas traseiras estão gastos.</li> </ul>	<ul style="list-style-type: none"> <li>Contacte um centro de reparação local para substituir os pneus das rodas.</li> </ul>
	<ul style="list-style-type: none"> <li>Está a cortar a relva numa encosta muito inclinada.</li> </ul>	<ul style="list-style-type: none"> <li>O trator corta-relva não deverá ser usado para cortar a relva em encostas com uma inclinação superior à indicada.</li> </ul>
Quando o corta-relva pára numa encosta com o pedal do travão de estacionamento pressionado, pode começar a deslizar pela encosta abaixo.	<ul style="list-style-type: none"> <li>Os componentes do travão estão excessivamente gastos devido a um funcionamento inadequado do corta-relva.</li> </ul>	<ul style="list-style-type: none"> <li>Contacte o serviço de apoio ao cliente da EGO para efetuar reparações.</li> </ul>
Não sai água da porta de lavagem quando se tenta lavar a plataforma.	<ul style="list-style-type: none"> <li>O acoplador rápido da porta de lavagem não está montado corretamente na porta de lavagem.</li> </ul>	<ul style="list-style-type: none"> <li>Volte a fixar o acoplador rápido da porta de lavagem até ouvir um clique após pressionar firmemente. Se não funcionar, contacte o serviço de apoio ao cliente da EGO.</li> </ul>
É ouvido um som anormal quando se empurra manualmente o trator corta-relva sem o ligar.	<ul style="list-style-type: none"> <li>O som vem dos ímanes no interior do motor de condução.</li> </ul>	<ul style="list-style-type: none"> <li>É normal e não requer qualquer ação.</li> </ul>
O volante não pode ser rodado.	<ul style="list-style-type: none"> <li>O conjunto do volante está obstruído com resíduos.</li> </ul>	<ul style="list-style-type: none"> <li>Verifique e retire os resíduos.</li> </ul>

PROBLEMA	CAUSA	SOLUÇÃO
O trator corta-relva não vira para a direita/esquerda quando o volante é rodado.	<ul style="list-style-type: none"> <li>Falha dos componentes eletrónicos ou mecânicos.</li> </ul>	<ul style="list-style-type: none"> <li>Contacte o serviço de apoio ao cliente da EGO para efetuar reparações.</li> </ul>
O trator corta-relva não pára quando o pedal do acelerador é libertado.	<ul style="list-style-type: none"> <li>O caminho de retorno do pedal do acelerador está obstruído com resíduos.</li> </ul>	<ul style="list-style-type: none"> <li>Verifique e retire os resíduos.</li> </ul>
	<ul style="list-style-type: none"> <li>O botão CCS foi premido sem intenção durante a condução. O corta-relva está no modo de cruise control.</li> </ul>	<ul style="list-style-type: none"> <li>Verifique se o ícone CCS está aceso no ecrã LCD, e saia do CCS conforme necessário. Consulte o capítulo <b>“USAR O CRUISE CONTROL (CCS)”</b>.</li> </ul>
A função CCS não pode ser ativada ou desligada.	<ul style="list-style-type: none"> <li>O botão CCS não foi premido corretamente.</li> </ul>	<ul style="list-style-type: none"> <li>Prima o botão CCS até que o ícone CCS se acenda no ecrã LCD, ou desapareça do ecrã LCD.</li> </ul>
O trator corta-relva não inverte a marcha quando a pá esquerda/direita é puxada na direção do operador.	<ul style="list-style-type: none"> <li>O indicador do estado do corta-relva não está verde e o corta-relva não está pronto para ser conduzido.</li> </ul>	<ul style="list-style-type: none"> <li>Siga a secção <b>“LIGAR O TRATOR CORTA-RELVA”</b> para que o indicador do estado do corta-relva fique verde e o corta-relva esteja pronto para ser conduzido.</li> </ul>
	<ul style="list-style-type: none"> <li>As pás esquerda/direita não foram puxadas corretamente na direção do operador.</li> </ul>	<ul style="list-style-type: none"> <li>Puxe a pá esquerda ou direita, ou ambas as pás em simultâneo na direção do operador, até ouvir um “clique”.</li> </ul>
	<ul style="list-style-type: none"> <li>As pás esquerda/direita não são mantidas puxadas na direção do operador.</li> </ul>	<ul style="list-style-type: none"> <li>Para conduzir em marcha-atrás, pelo menos uma das pás tem de ser mantida puxada na direção do operador.</li> </ul>
	<ul style="list-style-type: none"> <li>As pás esquerda/direita estão partidas.</li> </ul>	<ul style="list-style-type: none"> <li>Contacte um técnico de reparação qualificado para proceder à reparação.</li> </ul>



## REFERÊNCIA DO ESTADO DO CORTA-RELVA E CÓDIGO DE FALHAS

Visor LCD	Descrição	Código de falha no LCD	Indicador do estado do corta-relva	Beeper	Causa	Solução
	O ícone das luzes LED é apresentado no ecrã LCD.	n/a	DESLIGADO	Não	Os faróis, luzes laterais e luzes traseiras são ligados pelo interruptor da luz LED.	Isto é normal. Não é necessária qualquer ação.
	O ícone USB é apresentado no ecrã LCD.	n/a	DESLIGADO	Não	O ícone USB acende, indicando que um dispositivo USB pode funcionar após o corta-relva ser ligado corretamente.	Isto é normal. Não é necessária qualquer ação.
	O ícone do manómetro do combustível é apresentado no ecrã LCD.	n/a	DESLIGADO	Não	Indica a capacidade de carga média das baterias inseridas.	Isto é normal. Não é necessária qualquer ação.
	O ícone do contador das horas de utilização é apresentado no ecrã LCD.	n/a	DESLIGADO	Não	Apresenta o tempo de condução total do corta-relva, em horas, e não pode ser reiniciado.	Isto é normal. Não é necessária qualquer ação.
	O ícone do indicador de carga aparece na gama ECO.	n/a	DESLIGADO	Não	Indica a carga atual do corta-relva.	Isto é normal. Não é necessária qualquer ação.
	O ícone de marcha-atrás é apresentado no ecrã LCD.	n/a	DESLIGADO	Não	Indica que o trator corta-relva está a andar para trás.	Isto é normal. Não é necessária qualquer ação.
	O ícone da chave de segurança pisca.	n/a	DESLIGADO	Não	A chave de segurança não foi inserida.	Insira a chave de segurança e prima e mantenha premido o botão de iniciar/parar para ligar o trator corta-relva.
					O conjunto da caixa do painel de controlo da chave está partido.	As reparações deverão ser efetuadas por um técnico de reparação qualificado.

**PT**

PT

Visor LCD	Descrição	Código de falha no LCD	Indicador do estado do corta-relva	Beeper	Causa	Solução
	O ícone de um certo compartimento da bateria pisca.	n/a	DESLIGADO	Não	Uma bateria durante a descarga teve um excesso de corrente.	Não é necessária qualquer ação. O corta-relva pode continuar a funcionar se a taxa Ah combinada da bateria, excluindo corrente excessiva da bateria, for ao encontro dos requisitos. Quando a bateria com corrente excessiva voltar ao normal, volta a alimentar imediatamente o trator corta-relva e o ícone desaparece.
	O ícone do compartimento vazio da bateria pisca.	n/a	DESLIGADO	Não	A capacidade da bateria não é suficiente para permitir ao trator corta-relva funcionar.	Para ligar este trator corta-relva, use baterias EGO suficientes, seguindo as instruções na secção “ <b>FIXAR/RETIRAR A BATERIA</b> ” neste manual.
	O indicador de sobrecarga pisca.	n/a	Pisca a vermelho	Um som	<p>O motor da lâmina está sobrecarregado.</p> <p>A saída de descarga lateral está obstruída com relva e detritos.</p> <p>Existe uma interferência entre a lâmina e a plataforma do trator corta-relva.</p>	<p>Aumente a altura de corte da plataforma ou abrande a velocidade de condução para reduzir a carga do corta-relva.</p> <p>Limpe a saída de descarga lateral após cada utilização.</p> <p>Contacte o serviço de apoio ao cliente da EGO.</p>

Visor LCD	Descrição	Código de falha no LCD	Indicador do estado do corta-relva	Beeper	Causa	Solução
	O ícone da temperatura pisca.	n/a	DESLIGADO	Um som	O corta-relva sobreaqueceu.	Reduza a carga do corta-relva aumentando a altura de corte da plataforma ou diminuindo a velocidade da lâmina/condução. Faça pausas e permita ao corta-relva arrefecer.
					O corta-relva está muito frio.	Não faça tentativas repetidas que possam danificar a máquina. Guarde sempre o corta-relva e a bateria num ambiente quente. Volte a ligar o corta-relva quando este aquecer.
	O ícone da temperatura e o compartimento exato ocupado pela bateria piscam em simultâneo.	n/a	DESLIGADO	Não	Coloque a bateria na unidade. O compartimento numerado da bateria sobreaqueceu.	1. O corta-relva pode continuar a funcionar se a taxa Ah combinada da bateria, excluindo a bateria sobreaquecida, for ao encontro dos requisitos. Quando a bateria sobreaquecida voltar à temperatura normal, volta a ligar o corta-relva.
						2. Se a classificação Ah combinada da bateria não for a suficiente, o corta-relva deixa de funcionar até que insira mais baterias nos compartimentos vazios da bateria.
						3. Reduza a carga do corta-relva aumentando a altura de corte da plataforma ou diminuindo a velocidade do corta-relva quando continuar o funcionamento.

**PT**

Visor LCD	Descrição	Código de falha no LCD	Indicador do estado do corta-relva	Beeper	Causa	Solução
	Os ícones de cada compartimento ocupado pela bateria, indicador de energia fraca e manómetro do combustível piscam a cada segundo em simultâneo no ecrã LCD. O primeiro indicador do manómetro do combustível LED e indicador do estado também piscam.	n/a	Pisca a vermelho	Continua a emitir sons até que o interruptor PTO seja pressionado para baixo.	As baterias têm pouca energia e o corta-relva está no modo limitado.	Pare de trabalhar e vá para a área de carregamento da bateria. <b>NOTA:</b> Quando o corta-relva está no modo limitado, as lâminas passam automaticamente para uma velocidade de baixa rotação. Entretanto, o indicador sonoro emite vários sons. O operador deverá pressionar o interruptor PTO para baixo para desligar os motores da lâmina. O indicador sonoro pára de emitir sons quando as lâminas pararem.
	O ícone de cada compartimento ocupado pela bateria e o indicador de energia fraca piscam a cada meio segundo. O primeiro LED do manómetro do combustível também pisca a vermelho a cada meio segundo.	n/a	Pisca a vermelho	Continua a emitir sons	As baterias estão quase gastas.	O corta-relva pára imediatamente de funcionar. O operador deverá transportar o corta-relva para a área de carregamento da bateria para se proceder ao carregamento.
	O ícone de estacionamento automático pisca no LCD.	n/a	DESLIGADO	Continua a emitir sons	O corta-relva está estacionado numa encosta e o operador deixou o corta-relva sem colocar o pedal do travão de estacionamento na posição de travagem.	Coloque o pedal do travão na posição de travagem. O ícone de estacionamento automático desliga-se e o indicador sonoro pára de emitir sons.
	O ícone do pedal do travão é apresentado no LCD.	n/a	DESLIGADO	Não	O pedal do travão de estacionamento está na posição de travagem.	Liberte-o antes de ligar o corta-relva.

**NOTA:** Se aparecer um código de falha no ecrã LCD, retire todas as baterias e volte a instalá-las passados alguns minutos. Se isto não resolver o problema, siga a resolução de problemas de códigos de falha apresentada abaixo.

Visor LCD	Descrição	Código de falha no LCD	Indicador do estado do corta-relva	Beeper	Causa	Solução
	O ícone do sensor do assento é apresentado no LCD.	n/a	DESLIGADO	Não	O operador deixou o assento, ou o sistema de bloqueio de segurança do assento está desativado.	Se o operador estiver sentado no assento, mas o ícone estiver ligado, pare imediatamente de usar o corta-relva e verifique a ligação do assento. Se a ligação do assento ao corta-relva estiver correta, contacte um técnico de reparação qualificado para proceder à reparação.
	O ícone do interruptor PTO começa a piscar.	n/a	DESLIGADO	Não	O motor da lâmina foi interrompido durante o funcionamento, e o interruptor PTO não foi colocado na posição de desligado.	Antes de voltar a ligar o corta-relva, pressione o interruptor PTO para baixo para desligar os motores da lâmina. Consulte a secção <b>“RESOLUÇÃO DE PROBLEMAS”</b> neste manual para obter referências.
	O ícone de regeneração de energia pisca ocasionalmente.	n/a	DESLIGADO	Não	A energia cinética gerada durante a travagem ou condução pela encosta abaixo é convertida em eletricidade para carregar as baterias.	Isto é normal. Não é necessária qualquer ação.
	O ícone PTO pisca.	n/a	DESLIGADO	Não	O CCS (sistema de cruise control) falhou.	A função CCS não pode ser selecionada quando o trator corta-relva estiver a avançar com baixa velocidade ou em marcha-atrás.

PT

PT

Visor LCD	Descrição	Código de falha no LCD	Indicador do estado do corta-relva	Beeper	Causa	Solução	
Consulte "Código de falhas"	O motor de condução esquerdo não roda.	O motor de condução esquerdo controlado por PCBA falha.	413	DESLIGADO	Um som	Falha no PCBA	As reparações deverão ser efetuadas por um técnico de reparação qualificado.
		A ficha (trifásica, fio da alimentação) a ligar o motor de condução esquerdo com o respetivo PCBA está solto.	317	DESLIGADO	Um som	Ligação solta	
		A ficha (de seis pinos, fio do sinal) a ligar o motor de condução esquerdo com o respetivo PCBA está solto.	301	DESLIGADO	Um som	Ligação solta	
		O motor de condução esquerdo falha.	317	DESLIGADO	Um som	Falha do motor	
Consulte "Código de falhas"	O motor de condução direito não roda.	O motor de condução direito controlado por PCBA falha.	313	DESLIGADO	Um som	Falha no PCBA	As reparações deverão ser efetuadas por um técnico de reparação qualificado.
		A ficha (trifásica, fio da alimentação) a ligar o motor de condução direito com o respetivo PCBA está solto.	417	DESLIGADO	Um som	Ligação solta	
		A ficha (de seis pinos, fio do sinal) a ligar o motor de condução direito com o respetivo PCBA está solto.	401	DESLIGADO	Um som	Ligação solta	
		O motor de condução direito falha.	417	DESLIGADO	Um som	Falha do motor	

Visor LCD	Descrição	Código de falha no LCD	Indicador do estado do corta-relva	Beeper	Causa	Solução	
Consulte "Código de falhas"	O motor da lâmina esquerda não roda.	O motor da lâmina esquerda controlado por PCBA falha.	607	n/a	Um som	Falha no PCBA	As reparações deverão ser efetuadas por um técnico de reparação qualificado.
		A ficha (trifásica, fio da alimentação) a ligar o motor da lâmina esquerda com o respetivo PCBA está solto.	509	n/a	Um som	Ligação solta	Inspeção primeiro a lâmina. Se estiver solto, aperte o parafuso com o binário recomendado. Caso contrário, as reparações deverão ser efetuadas por um técnico de reparação qualificado.
		O motor da lâmina esquerda falha.	509	n/a	Um som	Falha do motor	
Consulte "Código de falhas"	O motor da lâmina direita não roda.	O motor da lâmina direita controlado por PCBA falha.	507	n/a	Um som	Falha no PCBA	As reparações deverão ser efetuadas por um técnico de reparação qualificado.
		A ficha (trifásica, fio da alimentação) a ligar o motor da lâmina direita com o respetivo PCBA está solto.	609	n/a	Um som	Ligação solta	Inspeção primeiro a lâmina. Se estiver solto, aperte o parafuso com o binário recomendado. Caso contrário, as reparações deverão ser efetuadas por um técnico de reparação qualificado.
		O motor da lâmina direita falha.	609	n/a	Um som	Falha do motor	
Consulte "Código de falhas"	O pedal do acelerador falha.	311/411	DESLIGADO	Um som	Falha no PCBA	As reparações deverão ser efetuadas por um técnico de reparação qualificado.	
		307/407			Ligação solta		
Consulte "Código de falhas"	O volante falha.	312/412	DESLIGADO	Um som	Falha no PCBA	As reparações deverão ser efetuadas por um técnico de reparação qualificado.	
					Ligação solta		

**PT**



PT

Visor LCD	Descrição	Código de falha no LCD	Indicador do estado do corta-relva	Beeper	Causa	Solução
Consulte "Código de falhas"	O travão de estacionamento falha. O trator corta-relva não pode ser conduzido.	309/409	DESLIGADO	Um som	Falha no PCBA	As reparações deverão ser efetuadas por um técnico de reparação qualificado.
	O PCBA do travão de estacionamento, no conjunto da estrutura dianteira, está partido.	801	DESLIGADO	Um som	Falha no fio/interruptor	
DESLIGADO	Falha na porta de carregamento.	n/a	Permanece ligado a vermelho	n/a	A porta de carregamento está em circuito aberto.	As reparações deverão ser efetuadas por um técnico de reparação qualificado.
		n/a	Permanece ligado a vermelho	n/a	Não existe energia.	Verifique se a tomada de parede está em bom estado e fornece uma alimentação de 220V-240V.
		n/a	Permanece ligado a vermelho	n/a	O fusível fundiu-se.	As reparações deverão ser efetuadas por um técnico de reparação qualificado.
Consulte "Código de falhas"	Falha na porta de carregamento.	204	n/a	Um som	A porta de carregamento está em circuito aberto.	As reparações deverão ser efetuadas por um técnico de reparação qualificado.

Visor LCD	Descrição	Código de falha no LCD	Indicador do estado do corta-relva	Beeper	Causa	Solução
Consulte “Código de falhas”	O conjunto da caixa da bateria não funciona.	217	n/a	Um som	A fonte de energia do conjunto da caixa da bateria está partida. Os faróis LED e USB não funcionam.	As reparações deverão ser efetuadas por um técnico de reparação qualificado.
		310/ 410	DESLIGADO	Um som	A ligação entre os fios de tipo C do conjunto da caixa da bateria e os outros fios do tipo C do corta-relva não funcionam.	
		201/ 202/ 203	DESLIGADO	Um som	O BMS do conjunto da caixa da bateria está partido.	
Consulte “Código de falhas”	Falha no interruptor de iniciar/parar.	314/ 414	DESLIGADO	Um som	Falha no PCBA do interruptor ou má ligação do fio do interruptor de iniciar/parar.	As reparações deverão ser efetuadas por um técnico de reparação qualificado.
Consulte “Código de falhas”	Falha no ecrã LCD.	315/ 415	DESLIGADO	Um som	O conjunto do LCD está partido ou há uma má ligação do fio do conjunto do LCD.	As reparações deverão ser efetuadas por um técnico de reparação qualificado.

**PT**

## GARANTIA

### POLÍTICA DE GARANTIA EGO

Visite o website [egopowerplus.com](http://egopowerplus.com) para os termos e condições completos da política de garantia da EGO.

## LEGGERE TUTTE LE ISTRUZIONI!



### LEGGERE IL MANUALE DI ISTRUZIONI

## SIMBOLI DI SICUREZZA

IT

Lo scopo dei simboli di sicurezza è attirare l'attenzione dell'operatore su possibili pericoli. I simboli di sicurezza e le relative spiegazioni richiedono la massima attenzione e comprensione da parte dell'operatore. Le avvertenze espresse dai simboli, da sole, non eliminano tutti i rischi. Le istruzioni e le avvertenze non sostituiscono le adeguate misure di prevenzione contro gli incidenti.

**AVVERTENZA!** Accertarsi di aver letto e compreso tutte le istruzioni di sicurezza in questo manuale, inclusi tutti i simboli di avvertenza come "**PERICOLO**", "**AVVERTENZA**" e "**ATTENZIONE**", prima di usare questa macchina. Il mancato rispetto di tutte le istruzioni elencate di seguito comporta il rischio di scossa elettrica, incendio e/o lesioni gravi.

## SIGNIFICATO DEI SIMBOLI

Questa pagina illustra e descrive i simboli di sicurezza che possono comparire sulla macchina. Leggere, comprendere e seguire tutte le istruzioni sulla macchina prima di tentare di assemblarla e utilizzarla.

## SIMBOLI DI SICUREZZA

	Avvertenza di sicurezza		Leggere e comprendere il manuale di istruzioni
	Protezione per gli occhi		Mantenere i dispositivi di sicurezza.
	PERICOLO! Terreno in pendenza.		PERICOLO! Tenere le altre persone lontane dalle lame.
	Non trasportare bambini.		Guardare indietro durante la retromarcia.
	AVVERTENZA! Non usare questa macchina su pendenze superiori a 12°.		PERICOLO! Rischio di oggetti lanciati.
	AVVERTENZA! TENERE A DISTANZA MANI E PIEDI.		Livello di potenza sonora garantito ai sensi della direttiva dell'Unione europea.



Non salire.



I prodotti elettrici non devono essere smaltiti insieme ai rifiuti domestici. Portarli presso un centro di riciclaggio autorizzato.



Questo prodotto è conforme alle direttive europee applicabili.



ATTENZIONE! Non fissare la fonte luminosa.



Corrente continua



Questo prodotto è conforme alle direttive britanniche applicabili.

IT

kPa	Kilopascal
V	Volt
in	Pollice
Nm	Newton metro
°C	Grado Celsius
km/h	Chilometri all'ora

RPM	Rotazioni al minuto
m	Metro
cm	Centimetro
mm	Millimetro
kg	Chilogrammo
IPX4	Grado di protezione

## SIMBOLI DI SICUREZZA



Informazione importante.



Arresto dell'azione indicata.

## SPECIFICHE TECNICHE

Tensione		56 V
Dimensioni del piatto di taglio		107 cm
Dimensioni delle ruote	Anteriori	279,4 x 101,6 - 127 mm
	Posteriori	457,2 x 241,3 - 203.2 mm
Pressione degli pneumatici a freddo	Anteriori	222,1 kPa
	Posteriori	110,3 kPa
Raggio di sterzata		0
Velocità delle lame (RPM)		2400 / 2600 / 2800 / 3000
Velocità di guida max.	Avanti	4,8 km/h, 8,1 km/h, 9,7 km/h, 11,3 km/h (12,8 km/h in modalità Travel)
	Retromarcia	Fino a 5,6 km/h

Ricarica	Caricabatteria (opzionale)	CHV1600E
	Adattatore (opzionale)	ACA1000
	Intervallo di temperature per la ricarica	Da 5°C a 40°C
Regolazione dell'altezza di taglio (10 posizioni)		Da 25 a 100 mm
Temperatura operativa		Da 0°C a 40°C
Temperatura di conservazione		Da -20°C a 70°C
Peso (senza gruppo batteria)		196 kg
Livello di potenza sonora misurato $L_{WA}$		96,44 dB(A) K=0,68 dB(A)

Livello di pressione sonora a livello dell'orecchio dell'operatore $L_{PA}$		84,3 dB(A) K=3,0 dB(A)
Livello di potenza sonora garantito $L_{WA}$ (misurato conformemente a 2000/14/EC)		100 dB(A)
Vibrazioni $a_h$	Impugnatura	1,221 m/s <sup>2</sup> K=1,5 m/s <sup>2</sup>
	Corpo	0.568 m/s <sup>2</sup> K=1,5 m/s <sup>2</sup>

- Il valore totale di emissione delle vibrazioni dichiarato è stato misurato con un metodo di valutazione standard e può essere utilizzato per confrontare l'apparecchio con altri prodotti analoghi.
- Il valore totale di emissione delle vibrazioni dichiarato può essere utilizzato anche per una valutazione preliminare dei livelli di esposizione.

**NOTA:** il valore di emissione delle vibrazioni durante l'uso effettivo dell'utensile elettrico può variare rispetto al valore totale dichiarato in base alla modalità di utilizzo dell'utensile. Per proteggersi, l'operatore deve indossare guanti e dispositivi di protezione per le orecchie in base alle condizioni di utilizzo effettive.

## ACCESSORI RACCOMANDATI

**AVVERTENZA!** Utilizzare esclusivamente parti di ricambio identiche a quelle elencate di seguito. L'uso di parti che non soddisfano le specifiche delle parti originali possono compromettere le prestazioni e la sicurezza della macchina.

NOME COMPONENTE	NUMERO MODELLO
Lama standard	AB4200
Lama ad alto sollevamento	AB4201
Accessorio per pacciamatura	AMP4200
Kit contenitore dell'erba	ABK4200-A
Paraurti posteriore	AMB1000
Contenitore porta-oggetti	AMG1000

Tettuccio parasole	AMS1000
--------------------	---------

## DESCRIZIONE

### COMPONENTI DEL TRATTORINO (Fig. A1)

- Sedile
- Presa di ricarica
- Unità di alimentazione
- Fanale LED posteriore
- Scomparto porta-oggetti
- Luce LED laterale
- Ruota posteriore (ruota motrice)
- Porta di lavaggio
- Piatto di taglio
- Protezione del piatto di taglio
- Ruotino antiscalpo
- Ruota anteriore
- Pedale del freno di stazionamento
- Luci di marcia diurne
- Fanali LED
- Pedale dell'acceleratore
- Pedana poggia-piedi
- Scivolo di scarico laterale
- Leva di regolazione dell'altezza del piatto di taglio
- Manopola di regolazione della sospensione del sedile
- Volante
- Scomparto destro
- Leva di regolazione della posizione del sedile
- Interruttore PTO
- Pulsante di avvio/arresto
- Chiave di sicurezza
- Vano porta-telefono
- Porta-bevande
- Leva sinistra
- Indicatore dello stato della macchina
- Display LCD
- Leva destra

- 33. Pulsante di regolazione della velocità delle lame
- 34. Pulsante CCS
- 35. Pulsante della modalità di marcia
- 36. Interruttore delle luci
- 37. Pulsante di regolazione della velocità di marcia
- 38. Pulsante di rilascio del coperchio dell'unità di alimentazione
- 39. Coperchio dell'unità di alimentazione
- 40. Unità di alimentazione con sei vani batteria
- 41. Pulsante di rilascio della batteria
- 42. Gancio di traino
- 43. Coperchio di fissaggio dell'accessorio
- 44. Presa USB

### DESCRIZIONE DEL DISPLAY (Fig. A2)

Consultare la sezione "**SIMBOLI SUL DISPLAY E CODICI ERRORE**" per maggiori informazioni sulle icone e sugli indicatori del display.

- 1. Icona della retromarcia
- 2. Icona CCS
- 3. Icona della chiave di sicurezza
- 4. Icona delle luci
- 5. Icona di stazionamento automatico
- 6. Icona USB
- 7. Indicatore della velocità delle lame
- 8. Indicatori di sicurezza
- 9. Contaore
- 10. Icona vano batteria vuoto
- 11. Icona della temperatura
- 12. Icona vano batteria occupato
- 13. Modalità di marcia
- 14. Codice errore
- 15. Indicatore di sovraccarico
- 16. Indicatore di esaurimento delle batterie
- 17. Indicatore della carica delle batterie
- 18. Indicatore del carico
- 19. Indicatore della velocità di marcia

## DISIMBALLAGGIO

**NOTA:** non gettare i materiali di imballaggio finché la macchina non è stata ispezionata con attenzione e collaudata. Se alcuni dei componenti elencati nella tabella "Contenuto dell'imballaggio" sono mancanti, contattare immediatamente il centro di assistenza EGO.

**NOTA:** ad eccezione degli utensili elencati nella tabella "Contenuto dell'imballaggio", tutti gli altri utensili menzionati nel manuale sono raccomandati ma non forniti.

**NOTA:** installare correttamente il volante prima di rimuovere il blocco in schiuma situato sotto di esso. Le vibrazioni durante lo spostamento possono danneggiare il volante.

IT

### CONTENUTO DELL'IMBALLAGGIO (FIG. B)

B-1	Trattorino tagliaerba a raggio zero	B-2	Sedile
B-3	Accessorio per pacciamatura	B-4	Viti a testa incassata (2 di ricambio)
B-5	Chiave esagonale	B-6	Chiave a bussola
B-7	Chiave combinata	B-8	Chiavi di sicurezza
B-9	Attacco rapido della porta di lavaggio	B-10	Manuale di istruzioni

## ASSEMBLAGGIO

### INSTALLAZIONE DEL SEDILE (Fig. C1 - C4)

**⚠ AVVERTENZA!** Non scollegare o manomettere il sistema di bloccaggio di sicurezza per evitare che la macchina si avvii accidentalmente, con il rischio di lesioni.

**NOTA:** per motivi di sicurezza, la macchina può arrestarsi se il cavo del sedile si scollega durante l'uso. In tal caso, fare riferimento alla sezione "**RISOLUZIONE DEI PROBLEMI**" per maggiori informazioni.

C1-1	Presca	C1-2	Spina di alimentazione
C1-3	Cavo	C2-1	Bracciolo del sedile
C2-2	Base di sospensione	C2-3	Chiave esagonale
C2-4	Viti a testa incassata	C2-5	Leva di regolazione della posizione del sedile
C3-1	Binari in acciaio	C3-2	Chiave esagonale
C3-3	Viti a testa incassata	C4-1	Passacavo

### INSTALLAZIONE DEL VOLANTE (Fig. C5 - C6)

C5-1	Bullone di bloccaggio	C5-2	Barra
C6-1	Blocco di posizionamento	C6-2	Scanalatura
C6-3	Protezione del volante		

### FISSAGGIO DELL'ACCESSORIO PER PACCIAMATURA (Fig. C7)

C7-1	Scivolo di scarico laterale	C7-2	Accessorio per pacciamatura
C7-3	Molla mobile		

## REGOLAZIONE

### PRIMA DELLA REGOLAZIONE (Fig. D1)

### REGOLAZIONE DELL'ALTEZZA DEL PIATTO DI TAGLIO (Fig. D2)

### REGOLAZIONE DEI RUOTINI ANTISCALPO (Fig. D3 - D6)

D3-1	Ruotino antiscalpo	D5-1	Dado
D5-2	Bullone	D6-1	Scala dell'altezza del piatto di taglio

### REGOLAZIONE DEL SEDILE (Fig. D7)

D7-1	Leva di regolazione della posizione del sedile	D7-2	Manopola di regolazione della sospensione del sedile
------	--	------	--

### REGOLAZIONE DEL VOLANTE (Fig. D8)

D8-1	Bullone di bloccaggio	D8-2	Barra
D8-3	Blocco di posizionamento	D8-4	Scanalatura

## UTILIZZO

### OPERAZIONI PRELIMINARI (Fig. E1)

### FUNZIONAMENTO DEL FRENO DI STAZIONAMENTO (Fig. E2)

E2-1	Posizione di disinnesto	E2-2	Posizione di innesto
------	-------------------------	------	----------------------

**NOTA:** non usare il pedale del freno di stazionamento per rallentare la velocità di marcia. Quando il pedale del freno di stazionamento è premuto ma non è in posizione di stazionamento, la macchina non si muoverà se si trova su una superficie piana. Tuttavia, se ciò accade su un terreno in pendenza la macchina potrebbe scivolare in discesa.

### INSTALLAZIONE E RIMOZIONE DEI GRUPPI BATTERIA (Fig. E3 - E6)

Per il funzionamento della macchina sono necessarie batterie EGO da almeno 15 Ah in totale (2 X BA4200/BA4200T). Per le migliori prestazioni, si raccomanda di usare batterie EGO da almeno 30 Ah in totale.

E3-1	Pulsante di rilascio del coperchio	E5-1	Pulsante di rilascio della batteria
------	------------------------------------	------	-------------------------------------

### RICARICA DELLA MACCHINA

Usare esclusivamente i gruppi batteria e i caricabatteria raccomandati.

- Ricarica dei gruppi batteria separatamente (Fig. E7)



**NOTA:** consultare il manuale della batteria e del caricabatteria per le istruzioni dettagliate.

- **Ricarica dei gruppi batteria tramite la presa di ricarica (Fig. E8 - E10)**

E10-1	Protezione antipolvere	E10-2	Presa di ricarica
-------	------------------------	-------	-------------------

## CONTROLLO DEL SISTEMA DI BLOCCAGGIO DI SICUREZZA

- Test del sistema di bloccaggio del piatto di taglio (Fig. E11 - E12)
- Test del sistema di bloccaggio del sistema di trasmissione (Fig. E13 - E14)

Se il piatto di taglio e/o la macchina non si arrestano quando l'operatore si è alzato dal sedile, e non è possibile determinare la causa dopo aver verificato che il cavo del sedile è collegato correttamente, contattare immediatamente il servizio clienti EGO.

## CONTROLLI PRIMA DELL'USO

- Assicurarsi che nell'area di lavoro non siano presenti bambini, altre persone e animali.
- Rimuovere dall'area di lavoro qualsiasi oggetto che potrebbe venire lanciato dalle lame della macchina.
- Rimuovere eventuali detriti dalla macchina.
- Verificare che i dispositivi di fissaggio siano saldi.
- Verificare che tutti i dispositivi di protezione siano presenti e funzionanti.
- Verificare che le ruote siano gonfie.
- Verificare che il freno funzioni correttamente.
- Regolare l'altezza del piatto di taglio in base alle condizioni dell'erba e regolare i ruotini antiscalpo di conseguenza.
- Regolare la posizione del sedile e assicurarsi che entrambi i pedali possano essere raggiunti.
- Se necessario, regolare la posizione del volante.
- Controllare il livello di carica delle batterie.
- Controllare il sistema di bloccaggio di sicurezza.

## AVVIO DELLA MACCHINA (Fig. E15 - Fig. E16)

**⚠ AVVERTENZA!** Evitare avvi, arresti e svolte improvvise e velocità elevate, in particolare durante i primi utilizzi della macchina. La macchina può sterzare

rapidamente, causando perdita di controllo, danni e/o lesioni gravi.

**⚠ AVVERTENZA!** Prima di avviare la macchina, assicurarsi che le lame si disinnestino entro 5 secondi dopo aver premuto l'interruttore PTO. Se le lame non si arrestano, non utilizzare la macchina e contattare immediatamente il servizio clienti EGO.

**NOTA:** impostare la velocità di marcia minima e la modalità di marcia STANDARD come indicato in Fig. E17 e Fig. E18 finché non si è in grado di controllare la macchina in tutte le situazioni.

La macchina memorizzerà la modalità di marcia, la velocità di marcia e la calibrazione del volante e le ripristinerà al successivo riavvio.

## REGOLAZIONE DELLA MODALITÀ DI MARCIA (Fig. E17)

- **CONTROL:** minore accelerazione, sensibilità ridotta e bassa velocità di sterzata per proteggere l'erba. Ideale per i principianti.
- **STANDARD:** ideale per l'uso quotidiano.
- **SPORT:** maggiore accelerazione, elevata sensibilità e raggio di sterzata ridotto per massimizzare l'efficienza di taglio. Per operatori esperti.

**NOTA:** Non è possibile regolare la modalità di marcia durante la guida. La modalità di marcia può essere regolata esclusivamente quando le ruote della macchina sono ferme.

## Regolazione della velocità di marcia (Fig. E18)

**NOTA:** in modalità TURBO, premere il pulsante – per riportare la velocità di marcia al livello precedente.

## Regolazione della velocità delle lame (Fig. E19)

### Luci LED

- I fanali anteriori e posteriori e le luci laterali sono controllati dall'interruttore delle luci.
- Le luci di marcia sono sempre accese quando l'apparecchio è in movimento.
- Se i fanali posteriori sono spenti, durante la retromarcia lampeggeranno; se sono accesi, rimarranno accesi.
- Tutte le luci si spegneranno automaticamente quando la macchina si spegne automaticamente dopo un certo periodo di inutilizzo.

## Presenza USB

**NOTA:** la presa USB fornisce una potenza di ricarica di 5 V CC e fino a 1,5 A, ed è alimentata esclusivamente quando la macchina è accesa.

## ARRESTO DELLA MACCHINA (Fig. E20)

**NOTA:** dopo circa 60 minuti di inattività, la macchina si spegnerà automaticamente.

IT

### Modalità a efficienza ridotta

Quando la carica delle batterie è bassa, la macchina entrerà in modalità a efficienza ridotta per conservare l'energia necessaria per tornare all'area di ricarica.

- Le lame funzioneranno a velocità ridotta, tagliando esclusivamente una piccola quantità di erba. Su erba alta e densa, le lame si arresteranno. Verrà emesso un segnale acustico intermittente.
- L'indicatore dello stato della macchina lampeggerà di rosso ogni secondo; inoltre, l'indicatore di esaurimento delle batterie e l'indicatore della carica delle batterie sul display lampeggeranno.

L'operatore deve:

- Premere l'interruttore PTO per spegnere il motore delle lame. Il segnale acustico si spegnerà all'arresto delle lame.
- Interrompere il lavoro e recarsi presso l'area di ricarica delle batterie il prima possibile. La distanza massima che la macchina può percorrere è 1000 metri.

Quando le batterie sono quasi scariche, le icone di ciascun vano batteria occupato e l'indicatore di esaurimento delle batterie lampeggeranno ogni mezzo secondo. La macchina si arresterà immediatamente. Sarà necessario trasportare la macchina presso l'area di ricarica delle batterie.

**NOTA:** se è necessario spingere la macchina manualmente, assicurarsi che i gruppi batteria siano scollegati e che il pedale del freno di stazionamento sia in posizione di disinnesto.

## GUIDA DELLA MACCHINA (Fig. E21)

**⚠ PERICOLO!** Rimanere ad almeno due larghezze di taglio da fossi, discese e specchi d'acqua. Le ruote anteriori possono ruotare quando la macchina è ferma,

anche con il freno innestato, e causare la caduta della macchina in fossi e specchi d'acqua, con il rischio di lesioni gravi o mortali.



**⚠ AVVERTENZA!** Prestare particolare attenzione durante la retromarcia. **NON** tagliare l'erba in retromarcia a meno che non sia assolutamente necessario. Guardare sempre in basso e all'indietro prima e durante la retromarcia e assicurarsi che nell'area di lavoro non siano presenti bambini, altre persone o animali domestici. Anche un solo momento di disattenzione comporta il rischio di lesioni gravi o mortali.

**⚠ AVVERTENZA!** Non utilizzare la macchina su strade pubbliche.

**⚠ AVVERTENZA!** Se viene colpito un oggetto o un ostacolo, arrestare il motore e rimuovere i gruppi batteria. Rimuovere residui di erba, foglie sporcie e altri detriti. Ispezionare accuratamente la macchina per assicurarsi che non sia danneggiata; in caso contrario, riparare il danno prima di riavviare e usare la macchina.

## FUNZIONE CRUISE CONTROL (CCS)

### Attivazione della funzione CSS durante la guida (Fig. E22)

**NOTA:** la velocità di marcia visualizzata sul display potrebbe non corrispondere esattamente alla velocità di marcia reale della macchina in modalità CSS. Premere uno dei pulsanti di regolazione della velocità di marcia (  o  ) per visualizzare il livello di marcia effettivo.

**Per disattivare la funzione CCS e arrestare la macchina** sono disponibili le modalità elencate di seguito.

- Premere leggermente il pedale dell'acceleratore e rilasciarlo;
- Tirare la leva destra/sinistra verso l'operatore e rilasciarla;
- Premere il pedale del freno di stazionamento;
- Premere il pulsante CCS;

**NOTA:** premere completamente il pedale dell'acceleratore per raggiungere la velocità di marcia CCS corrente e tenerlo premuto. La funzione CSS verrà disattivata e la macchina si muoverà alla velocità corrente.

## MANUTENZIONE

**⚠ AVVERTENZA!** Indossare sempre occhiali di sicurezza con protezioni laterali, per evitare il rischio di oggetti proiettati verso gli occhi dell'operatore e altre lesioni gravi.

**⚠ AVVERTENZA!** Proteggere sempre le proprie mani indossando guanti robusti o avvolgendo i bordi di taglio con stracci o altri materiali durante le operazioni di manutenzione sulle lame della macchina. Rimuovere sempre la chiave di sicurezza e i gruppi batteria prima di effettuare la manutenzione o trasportare la macchina.

Intervallo di manutenzione	Procedura di manutenzione
Prima di ogni utilizzo o quotidianamente	<ul style="list-style-type: none"> <li>Controllare il sistema di bloccaggio di sicurezza.</li> <li>Verificare che le ruote siano gonfie.</li> <li>Ispezionare le lame.</li> <li>Ispezionare l'intera macchina per assicurarsi che i componenti non siano danneggiati, mancanti o allentati (scivolo di scarico laterale, viti, dadi, bulloni, ecc.) e che tutti i dispositivi di sicurezza siano installati e funzionanti.</li> <li>Controllare il pedale dell'acceleratore e assicurarsi che possa essere premuto e rilasciato correttamente.</li> <li>Controllare il volante. Il volante deve opporre una lieve resistenza quando viene ruotato.</li> </ul>
Dopo ogni utilizzo	<ul style="list-style-type: none"> <li>Pulire il piatto di taglio.</li> </ul>
Ogni 25 ore	<ul style="list-style-type: none"> <li>Controllare della pressione delle ruote.</li> </ul>
Ogni 100 ore	<ul style="list-style-type: none"> <li>Controllare le ruote posteriori per verificare che tutti i dadi siano fissati alla coppia di serraggio raccomandata.</li> </ul>
Ogni 200 ore	<ul style="list-style-type: none"> <li>Controllare le ruote anteriori per verificare che ruotino liberamente.</li> </ul>

Prima dello stoccaggio	<ul style="list-style-type: none"> <li>Rimuovere i gruppi batteria dalla macchina.</li> <li>Rimuovere la chiave di sicurezza dalla macchina.</li> <li>Effettuare tutte le procedure di manutenzione elencate in precedenza e pulire accuratamente la macchina.</li> <li>Ispezionare l'intera macchina per verificare che nessun elemento sia mancante e non siano presenti componenti danneggiati o allentati prima di stoccarla.</li> </ul>
Annualmente	<ul style="list-style-type: none"> <li>Controllare il pedale del freno di stazionamento. Rimuove i gruppi batteria dalla macchina e portare il pedale di stazionamento in posizione di innesto. Spingere manualmente la macchina per verificare che non si muova. Se si muove, farla riparare da un tecnico qualificato.</li> </ul>

IT

## MANUTENZIONE GENERALE

### Pulizia delle superfici esterne (Fig. F1 - F2)

### Utilizzo della porta di lavaggio per la pulizia del piatto di taglio (Fig. F3 - F4)

F2-1	Porta di lavaggio	F2-2	Attacco rapido della porta di lavaggio
F2-3	Tubo da giardinaggio		

**NOTA:** al termine della pulizia, spegnere completamente la macchina e rimuovere il tubo da giardinaggio e l'attacco rapido.

## MANUTENZIONE DEL PIATTO DI TAGLIO E DELLE LAME

### PREPARAZIONE (Fig. G1)

### Rimozione del piatto di taglio (Fig. G2 - G3)

G2-1	Cavo del motore	G2-2	Barra di sospensione
G2-3	Coppiglia		

**NOTA:** Scollegare tutti i cavi del motore e le coppiglie prima di rimuovere il piatto di taglio.

#### Sostituzione delle lame (Fig. G4 - G6)

G4-1	Stabilizzatore	G5-1	Bullone
G5-2	Rondella	G5-3	Lama
G5-4	Flangia	G5-5	Albero motore

IT

#### Livellamento del piatto di taglio

##### a. Quando effettuare il livellamento (Fig. G7 - G9)

##### b. Prima del livellamento

- Controllare la pressione degli pneumatici a freddo (Fig. G10).
- Controllare le lame. Rimuovere e sostituire le lame usurate, incrinata e/o piegate.

##### c. Preparazione al livellamento (Fig. G11)

##### d. Procedura di livellamento

- Regolazione laterale (Fig. G12)
- Regolazione longitudinale (Fig. G13)

#### CALIBRAZIONE DEL SISTEMA STERZANTE (Fig. H1 - H2)

**NOTA:** verrà emesso un segnale acustico sia all'inizio che al termine della calibrazione.

**NOTA:** la calibrazione di una delle modalità di marcia (CONTROL, STANDARD o SPORT) potrebbe non essere applicata alle altre due modalità. Potrebbe essere necessario calibrare il volante per ciascuna modalità di marcia indipendentemente.

#### RIPRISTINO DELLE IMPOSTAZIONI PREDEFINITE (Fig. I)

**NOTA:** verrà emesso un segnale acustico sia all'inizio che al termine del ripristino.

**NOTA:** al termine dell'operazione verranno ripristinate le caratteristiche indicate di seguito.

- Modalità di marcia
- Velocità di marcia
- Calibrazione del volante

## CONSERVAZIONE E TRASPORTO

#### TRASPORTO DELLA MACCHINA (Fig. J1 - J5)

**NOTA:** se necessario, fissare la macchina con cinghie o cavi per evitare che si sposti durante il trasporto.

#### CONSERVAZIONE (Fig. K1 - K2)

**NOTA:** rimuovere i gruppi batteria e conservarli come indicato nei rispettivi manuali.

Pulire e ispezionare la macchina prima di riporla, come indicato alle sezioni "PULIZIA DELLA MACCHINA" e "MANUTENZIONE".

#### Protezione dell'ambiente



Direttiva RAEE (Rifiuti di apparecchi elettrici ed elettronici) Non smaltire apparecchi elettrici, caricabatteria e batterie insieme ai rifiuti domestici. Portare il prodotto presso un centro di riciclaggio autorizzato affinché venga raccolto separatamente. Gli apparecchi elettrici devono essere portati presso un centro di riciclaggio ecocompatibile.


## RISOLUZIONE DEI PROBLEMI

PROBLEMA	CAUSA	SOLUZIONE
La macchina non si muove alla pressione del pedale dell'acceleratore.	<ul style="list-style-type: none"> <li>■ Gli Ah totali delle batterie inserite non corrispondono alle specifiche.</li> </ul>	<ul style="list-style-type: none"> <li>■ Per avviare la macchina è necessario un numero sufficiente di gruppi batteria EGO, come indicato alla sezione <b>"INSTALLAZIONE E RIMOZIONE DEI GRUPPI BATTERIA"</b> di questo manuale.</li> </ul>
	<ul style="list-style-type: none"> <li>■ Il pedale del freno di stazionamento è in posizione di innesto.</li> </ul>	<ul style="list-style-type: none"> <li>■ Premere completamente il pedale del freno di stazionamento per portarlo in posizione di disinnesto.</li> </ul>
	<ul style="list-style-type: none"> <li>■ L'operatore non ha tirato brevemente entrambe le leve verso di sé, quindi l'indicatore dello stato della macchina non si è illuminato di verde all'avvio della macchina.</li> </ul>	<ul style="list-style-type: none"> <li>■ Tirare ENTRAMBE le leve verso l'operatore simultaneamente e rilasciarle. L'indicatore dello stato della macchina si illuminerà di verde, a indicare che la macchina è pronta per l'uso.</li> </ul>
	<ul style="list-style-type: none"> <li>■ L'operatore non è seduto sul sedile.</li> </ul>	<ul style="list-style-type: none"> <li>■ La macchina può essere avviata esclusivamente quando l'operatore è seduto correttamente sul sedile.</li> </ul>
	<ul style="list-style-type: none"> <li>■ Il cavo del sedile non è collegato correttamente.</li> </ul>	<ul style="list-style-type: none"> <li>■ Rimuovere i gruppi batteria dalla macchina e disassemblare il sedile seguendo le istruzioni alla sezione <b>"INSTALLAZIONE DEL SEDILE"</b> per verificare che la spina del cavo sia collegata correttamente alla presa sulla parte inferiore del sedile. Riasssemblare il sedile e seguire le istruzioni alla sezione <b>"AVVIO DELLA MACCHINA"</b> per verificare che la macchina si avvii. In caso contrario, contattare un tecnico qualificato per la riparazione.</li> </ul>
	<ul style="list-style-type: none"> <li>■ Se il clima è estremamente freddo, il dispositivo di protezione contro le basse temperature si attiva e impedisce l'avvio della macchina.</li> </ul>	<ul style="list-style-type: none"> <li>■ Conservare la macchina e i gruppi batteria in un ambiente caldo. Riavviare la macchina quando si è riscaldata. Non effettuare ripetuti tentativi se il clima è estremamente freddo per evitare di danneggiare la macchina.</li> </ul>
	<ul style="list-style-type: none"> <li>■ La corsa di andata del pedale dell'acceleratore è ostruita da detriti.</li> </ul>	<ul style="list-style-type: none"> <li>■ Controllare e rimuovere i detriti.</li> </ul>
	<ul style="list-style-type: none"> <li>■ Malfunzionamento meccanico o dei componenti elettronici del pedale dell'acceleratore.</li> </ul>	<ul style="list-style-type: none"> <li>■ Contattare un tecnico qualificato per la riparazione.</li> </ul>

IT

PROBLEMA	CAUSA	SOLUZIONE
La macchina si arresta durante la marcia.	<ul style="list-style-type: none"> <li>È necessario "ripristinare" la leva destra/sinistra.</li> </ul>	<ul style="list-style-type: none"> <li>Tirare la leva destra/sinistra verso l'operatore e rilasciarla. La macchina è pronta per l'uso quando l'indicatore dello stato si illumina di verde.</li> </ul>
	<ul style="list-style-type: none"> <li>Malfunzionamento dei componenti elettronici del pedale dell'acceleratore.</li> </ul>	<ul style="list-style-type: none"> <li>Contattare un tecnico qualificato per la riparazione.</li> </ul>
	<ul style="list-style-type: none"> <li>Il sistema di bloccaggio di sicurezza del sedile si è scollegato durante la guida su un terreno sconnesso.</li> </ul>	<ul style="list-style-type: none"> <li>Rimuovere i gruppi batteria dalla macchina e disassemblare il sedile seguendo le istruzioni alla sezione "<b>INSTALLAZIONE DEL SEDILE</b>" per verificare che la spina del cavo sia collegata correttamente alla presa sulla parte inferiore del sedile. Riasssemblare il sedile e seguire le istruzioni alla sezione "<b>AVVIO DELLA MACCHINA</b>" per verificare che la macchina si avvii. In caso contrario, contattare un tecnico qualificato per la riparazione.</li> </ul>
	<ul style="list-style-type: none"> <li>Il peso dell'operatore non è distribuito in modo uniforme sul sedile. Il peso dell'operatore sul sedile non deve essere inferiore a 20 kg per il corretto funzionamento del sistema di bloccaggio di sicurezza.</li> </ul>	<ul style="list-style-type: none"> <li>Sedersi correttamente sul sedile, tirare la leva destra, la leva sinistra o entrambe verso l'operatore e rilasciarle; la macchina è pronta per l'uso</li> </ul>
	<ul style="list-style-type: none"> <li>Il pedale del freno di stazionamento è stato premuto per rallentare la velocità di marcia. Quando il pedale del freno di stazionamento è premuto ma non è in posizione di stazionamento, la macchina si arresterà.</li> </ul>	<ul style="list-style-type: none"> <li>Se necessario, scollegare i gruppi batteria e ricollegarli.</li> </ul>
Non è possibile regolare la modalità di marcia durante la guida.	<ul style="list-style-type: none"> <li>Questa è una funzione di sicurezza della macchina che garantisce una guida sicura.</li> </ul>	<ul style="list-style-type: none"> <li>Seguire le istruzioni alla sezione "<b>AVVIO DELLA MACCHINA</b>" per riavviare la macchina.</li> </ul>
	<ul style="list-style-type: none"> <li>Questa è una funzione di sicurezza della macchina che garantisce una guida sicura.</li> </ul>	<ul style="list-style-type: none"> <li>La modalità di marcia può essere regolata esclusivamente quando le ruote della macchina sono ferme.</li> </ul>



PROBLEMA	CAUSA	SOLUZIONE
<p>Le lame della macchina non si avviano dopo aver premuto l'interruttore PTO.</p>  <p>L'icona dell'interruttore PTO lampeggia.</p>	<ul style="list-style-type: none"> <li>■ Gli Ah totali delle batterie inserite non corrispondono alle specifiche.</li> </ul>	<ul style="list-style-type: none"> <li>■ Per avviare la macchina è necessario un numero sufficiente di gruppi batteria EGO, come indicato alla sezione "<b>INSTALLAZIONE E RIMOZIONE DEI GRUPPI BATTERIA</b>" di questo manuale.</li> </ul>
	<ul style="list-style-type: none"> <li>■ L'interruttore PTO non è stato premuto durante l'ultimo spegnimento della macchina.</li> </ul>	<ul style="list-style-type: none"> <li>■ Premere l'interruttore PTO e sollevarlo per riavviare il motore delle lame.</li> </ul>
	<ul style="list-style-type: none"> <li>■ Il motore è sovraccarico al momento dell'avvio delle lame; ciò attiva il dispositivo di protezione del motore.</li> </ul>	<ul style="list-style-type: none"> <li>■ Iniziare il taglio con una bassa velocità delle lame e non aumentarla finché le lame non ruotano correttamente.</li> </ul>
	<ul style="list-style-type: none"> <li>■ Se il clima è estremamente freddo, il dispositivo di protezione contro le basse temperature si attiva e impedisce il movimento delle lame.</li> </ul>	<ul style="list-style-type: none"> <li>■ Conservare la macchina e i gruppi batteria in un ambiente caldo. Riavviare la macchina quando si è riscaldata. Non effettuare ripetuti tentativi se il clima è estremamente freddo per evitare di danneggiare la macchina.</li> </ul>
	<ul style="list-style-type: none"> <li>■ Il piatto di taglio è deformato e interferisce con il movimento delle lame.</li> </ul>	<ul style="list-style-type: none"> <li>■ Contattare il servizio clienti EGO.</li> </ul>
	<ul style="list-style-type: none"> <li>■ La macchina è in funzione in modalità Travel</li> </ul>	<ul style="list-style-type: none"> <li>■ Quando la macchina è in funzione in modalità Travel, il motore delle lame si arresta automaticamente.</li> </ul>



PROBLEMA	CAUSA	SOLUZIONE
Le lame si arrestano durante il taglio dell'erba.	<ul style="list-style-type: none"> <li>Il motore è sovraccarico.</li> </ul>	<ul style="list-style-type: none"> <li>Aumentare l'altezza del piatto di taglio o diminuire la velocità di marcia per ridurre il carico sul motore.</li> </ul>
	<ul style="list-style-type: none"> <li>Il piatto di taglio è ostruito da erba e detriti.</li> </ul>	<ul style="list-style-type: none"> <li>Pulire il piatto di taglio e assicurarsi che le lame ruotino liberamente.</li> </ul>
	<ul style="list-style-type: none"> <li>Il motore si è surriscaldato.</li> </ul>	<ul style="list-style-type: none"> <li>Aumentare l'altezza del piatto di taglio o diminuire la velocità di marcia e delle lame per ridurre il carico sul motore, quindi attendere che la macchina si raffreddi.</li> </ul>
	<ul style="list-style-type: none"> <li>I gruppi batteria nell'unità di alimentazione si sono surriscaldati, causando il calo degli Ah totali delle batterie inserite.</li> </ul>	<ol style="list-style-type: none"> <li>La macchina può continuare a funzionare se gli Ah totali dei gruppi batteria, escluso il gruppo batteria surriscaldato, corrispondono alle specifiche. Quando il gruppo batteria surriscaldato ritorna alla temperatura normale, alimenterà immediatamente la macchina.</li> </ol>
		<ol style="list-style-type: none"> <li>Se gli Ah totali dei gruppi batteria non corrispondono alle specifiche, la macchina non si avvierà a meno che non vengano inseriti altri gruppi batteria nel vano batterie.</li> </ol>
		<ol style="list-style-type: none"> <li>Aumentare l'altezza del piatto di taglio o diminuire la velocità per ridurre il carico sul motore.</li> </ol>
	<ul style="list-style-type: none"> <li>La macchina è in modalità a efficienza ridotta.</li> </ul>	<ul style="list-style-type: none"> <li>Quando la macchina è in modalità a efficienza ridotta, la velocità delle lame viene ridotta automaticamente. Interrompere il lavoro e recarsi presso l'area di ricarica delle batterie il prima possibile.</li> </ul>
	<ul style="list-style-type: none"> <li>La macchina ha urtato un oggetto estraneo; ciò ha attivato il dispositivo di protezione del motore.</li> </ul>	<ul style="list-style-type: none"> <li>Premere l'interruttore PTO e sollevarlo per riavviare il motore delle lame.</li> </ul>
<ul style="list-style-type: none"> <li>È stata impostata la modalità Travel.</li> </ul>	<ul style="list-style-type: none"> <li>Quando la macchina è in funzione in modalità Travel, il motore delle lame si arresta automaticamente.</li> </ul>	

PROBLEMA	CAUSA	SOLUZIONE
Viene emesso un segnale acustico continuo.	<ul style="list-style-type: none"> <li>La macchina è in modalità a efficienza ridotta e le lame non sono state arrestate.</li> </ul>	<ul style="list-style-type: none"> <li>Premere l'interruttore PTO per spegnere il motore delle lame. Il segnale acustico si spegnerà allo spegnimento del motore delle lame.</li> </ul>
	<ul style="list-style-type: none"> <li>La macchina si è arrestata durante la guida su un terreno in pendenza e l'operatore si è alzato dal sedile senza aver portato il pedale del freno di stazionamento in posizione di innesto.</li> </ul>	<ul style="list-style-type: none"> <li>Portare il pedale del freno di stazionamento in posizione di innesto prima di lasciare la macchina sul terreno in pendenza.</li> </ul>
Gli indicatori delle batterie rimangono illuminati dopo lo spegnimento della macchina.	<ul style="list-style-type: none"> <li>Quando la macchina viene spenta su un terreno a livello senza rimuovere i gruppi batteria, gli indicatori delle batterie, il pulsante di avvio/arresto e il pulsante CSS rimangono illuminati per un certo periodo.</li> </ul>	<ul style="list-style-type: none"> <li>Non è necessario intervenire. Gli indicatori delle batterie si spegneranno quando la macchina si spegne dopo un certo periodo. Consultare la sezione "<b>ARRESTO DELLA MACCHINA</b>" per il tempo specifico.</li> </ul>
	<ul style="list-style-type: none"> <li>Quando la macchina viene spenta su un terreno in pendenza senza portare il pedale del freno di stazionamento in posizione di innesto, gli indicatori delle batterie rimangono illuminati finché le batterie non si scaricano. Simultaneamente, viene emesso un segnale acustico continuo.</li> </ul>	<ul style="list-style-type: none"> <li>Portare il pedale del freno di stazionamento in posizione di innesto prima di lasciare la macchina sul terreno in pendenza.</li> </ul>
Il display non si accende.	<ul style="list-style-type: none"> <li>Il pulsante di avvio/arresto è stato premuto per un tempo sufficiente.</li> </ul>	<ul style="list-style-type: none"> <li>Se il pulsante di avvio/arresto viene premuto brevemente, sul display si illuminerà esclusivamente l'indicatore della carica delle batterie.</li> </ul>
		<ul style="list-style-type: none"> <li>Il display si accende esclusivamente tenendo premuto il pulsante di avvio/arresto per un tempo sufficiente.</li> </ul>

PROBLEMA	CAUSA	SOLUZIONE
La macchina non taglia in modo uniforme, con una differenza significativa in senso longitudinale.	<ul style="list-style-type: none"> <li>Le lame sono smussate.</li> </ul>	<ul style="list-style-type: none"> <li>Affilare o sostituire le lame come indicato in questo manuale.</li> </ul>
	<ul style="list-style-type: none"> <li>Le lame sono piegate.</li> </ul>	<ul style="list-style-type: none"> <li>Sostituire le lame piegate come indicato alla sezione <b>"SOSTITUZIONE DELLE LAME"</b>.</li> </ul>
	<ul style="list-style-type: none"> <li>Il piatto di taglio non è a livello, causando una diversa altezza delle lame dal terreno.</li> </ul>	<ul style="list-style-type: none"> <li>Livellare il piatto di taglio come indicato alla sezione <b>"LIVELLAMENTO DEL PIATTO DI TAGLIO"</b>.</li> </ul>
L'altezza di taglio effettiva non corrisponde all'altezza di taglio impostata.	<ul style="list-style-type: none"> <li>I dadi del piatto di taglio sono allentati a livello della barra di sospensione.</li> </ul>	<ul style="list-style-type: none"> <li>Seguire le istruzioni indicate alla sezione <b>"LIVELLAMENTO DEL PIATTO DI TAGLIO"</b> per allineare il piatto di taglio in senso longitudinale e serrare saldamente i dadi sulla barra di sospensione.</li> </ul>
	<ul style="list-style-type: none"> <li>Il piatto di taglio è danneggiato o molto usurato.</li> </ul>	<ul style="list-style-type: none"> <li>Seguire le istruzioni alla sezione <b>"RIMOZIONE DEL PIATTO DI TAGLIO"</b> per sostituire il piatto di taglio.</li> </ul>
La macchina non esegue una corretta pacciamatura.	<ul style="list-style-type: none"> <li>Sulla parte inferiore della macchina rimangono incollati pezzi di erba bagnata.</li> </ul>	<ul style="list-style-type: none"> <li>Attendere che l'erba si asciughi prima di tagliarla.</li> </ul>
	<ul style="list-style-type: none"> <li>La macchina è regolata per tagliare troppa erba in una sola passata.</li> </ul>	<ul style="list-style-type: none"> <li>Aumentare l'altezza del piatto di taglio.</li> </ul>
Vibrazioni eccessive.	<ul style="list-style-type: none"> <li>Le lame sono allentate.</li> </ul>	<ul style="list-style-type: none"> <li>Serrare i bulloni delle lame alla coppia di serraggio raccomandata.</li> </ul>
	<ul style="list-style-type: none"> <li>Le lame sono piegate.</li> </ul>	<ul style="list-style-type: none"> <li>Sostituire le lame piegate come indicato alla sezione <b>"SOSTITUZIONE DELLE LAME"</b>.</li> </ul>
	<ul style="list-style-type: none"> <li>Il piatto di taglio non è a livello.</li> </ul>	<ul style="list-style-type: none"> <li>Livellare il piatto di taglio come indicato alla sezione <b>"LIVELLAMENTO DEL PIATTO DI TAGLIO"</b>.</li> </ul>
	<ul style="list-style-type: none"> <li>I dadi del piatto di taglio sono allentati a livello della barra di sospensione.</li> </ul>	<ul style="list-style-type: none"> <li>Serrare i dadi sulla barra di sospensione.</li> </ul>
	<ul style="list-style-type: none"> <li>La macchina è regolata per tagliare troppa erba in una sola passata.</li> </ul>	<ul style="list-style-type: none"> <li>Aumentare l'altezza del piatto di taglio.</li> </ul>

PROBLEMA	CAUSA	SOLUZIONE
Detriti ed erba rimangono sul terreno dopo il taglio.	<ul style="list-style-type: none"> <li>La macchina è regolata per tagliare troppa erba in una sola passata quando l'erba è alta.</li> </ul>	<ul style="list-style-type: none"> <li>Iniziare con una maggiore altezza di taglio e ridurla gradualmente fino a ottenere il risultato desiderato. L'erba alta più di 152 mm deve essere tagliata in almeno due passate, ad altezze di taglio progressivamente minori.</li> </ul>
	<ul style="list-style-type: none"> <li>L'erba è bagnata.</li> </ul>	<ul style="list-style-type: none"> <li>Non tagliare l'erba bagnata. Attendere che si asciughi.</li> </ul>
	<ul style="list-style-type: none"> <li>La velocità di marcia è elevata.</li> </ul>	<ul style="list-style-type: none"> <li>Diminuire la velocità di marcia.</li> </ul>
	<ul style="list-style-type: none"> <li>La velocità delle lame è bassa.</li> </ul>	<ul style="list-style-type: none"> <li>Aumentare gradualmente la velocità delle lame.</li> </ul>
L'autonomia della macchina è bassa con le batterie inserite.	<ul style="list-style-type: none"> <li>Il tipo di terreno, le condizioni dell'erba, l'altezza di taglio impostata, la velocità di marcia, la velocità delle lame, ecc. influiscono significativamente sull'autonomia.</li> </ul>	<ul style="list-style-type: none"> <li>Aumentare l'altezza del piatto di taglio e diminuire la velocità delle lame per ridurre il carico sul motore.</li> </ul>
La macchina non avanza in linea retta.	<ul style="list-style-type: none"> <li>La pressione della ruota posteriore destra è diversa da quella della ruota posteriore sinistra.</li> </ul>	<ul style="list-style-type: none"> <li>Controllare e regolare la pressione di entrambe le ruote posteriori come indicato alla sezione "<b>SPECIFICHE TECNICHE</b>".</li> </ul>
	<ul style="list-style-type: none"> <li>La velocità della ruota posteriore destra è diversa da quella della ruota posteriore sinistra.</li> </ul>	<ul style="list-style-type: none"> <li>Calibrare il volante della macchina come indicato alla sezione "<b>CALIBRAZIONE DEL SISTEMA STERZANTE</b>".</li> </ul>
Il pedale del freno di stazionamento non può essere portato o ritorna lentamente in posizione di disinnesto.	<ul style="list-style-type: none"> <li>Il pedale del freno di stazionamento è ostruito da sporcizia o detriti.</li> </ul>	<ul style="list-style-type: none"> <li>Aprire la scatola del pedale del freno di stazionamento, pulirla accuratamente e richiuderla. Ripristinare il pedale del freno di stazionamento per verificare che il problema sia stato risolto. In caso contrario, contattare un tecnico qualificato per la riparazione.</li> </ul>

PROBLEMA	CAUSA	SOLUZIONE
La macchina non si ricarica tramite la presa di ricarica e l'indicatore dello stato della macchina è illuminato di rosso.	<ul style="list-style-type: none"> <li>La spina del caricabatteria non è inserita correttamente nella presa di ricarica della macchina.</li> </ul>	<ul style="list-style-type: none"> <li>Ricollegare il cavo di ricarica per verificare che la macchina si ricarichi correttamente.</li> </ul>
	<ul style="list-style-type: none"> <li>La presa di corrente non è alimentata.</li> </ul>	<ul style="list-style-type: none"> <li>Non è necessario intervenire. Attendere che la corrente elettrica venga ripristinata.</li> </ul>
	<ul style="list-style-type: none"> <li>Il caricabatteria non funziona correttamente.</li> </ul>	<ul style="list-style-type: none"> <li>Contattare il servizio clienti EGO per l'ispezione e la riparazione.</li> </ul>
	<ul style="list-style-type: none"> <li>La presa di ricarica della macchina è difettosa.</li> </ul>	<ul style="list-style-type: none"> <li>Contattare il servizio clienti EGO.</li> </ul>
Il tempo di ricarica tramite la presa di ricarica della macchina è troppo lungo.	<ul style="list-style-type: none"> <li>La ricarica tramite l'adattatore EGO ACA1000 richiede un tempo maggiore.</li> </ul>	<ul style="list-style-type: none"> <li>Utilizzare il caricabatteria EGO CHV1600E per ricaricare direttamente la macchina.</li> </ul>
Le batterie non si ricaricano completamente tramite la presa di ricarica della macchina.	<ul style="list-style-type: none"> <li>Bug nel firmware della macchina o della batteria o guasto del caricabatteria.</li> </ul>	<ul style="list-style-type: none"> <li>Ripristinare il caricabatteria: scollegarlo e attendere qualche minuto. Quindi ricollegare il caricabatteria alla presa di corrente. Se il problema persiste, contattare il servizio clienti EGO.</li> </ul>
La macchina non si avvia dopo la pulizia.	<ul style="list-style-type: none"> <li>Modalità di pulizia scorretta. Ad esempio, ha causato l'infiltrazione di acqua nei componenti elettrici, nel display, ecc.</li> </ul>	<ul style="list-style-type: none"> <li>Seguire le istruzioni alla sezione "<b>MANUTENZIONE GENERALE</b>" per pulire correttamente la macchina.</li> </ul>
		<ul style="list-style-type: none"> <li>Se la macchina è stata esposta alla pioggia, asciugarla lasciandola all'aria o usando aria compressa.</li> </ul>
Il piatto di taglio si ostruisce rapidamente.	<ul style="list-style-type: none"> <li>Il piatto di taglio non è stato pulito correttamente dopo l'ultimo utilizzo.</li> </ul>	<ul style="list-style-type: none"> <li>Pulire il piatto di taglio dopo ogni utilizzo come indicato alla sezione "<b>UTILIZZO DELLA PORTA DI LAVAGGIO PER LA PULIZIA DEL PIATTO DI TAGLIO</b>".</li> </ul>
La macchina perde aderenza sui terreni in salita.	<ul style="list-style-type: none"> <li>Gli pneumatici delle ruote posteriori sono usurati.</li> </ul>	<ul style="list-style-type: none"> <li>Sostituire gli pneumatici.</li> </ul>
	<ul style="list-style-type: none"> <li>Guida su un terreno in pendenza.</li> </ul>	<ul style="list-style-type: none"> <li>La macchina non deve essere utilizzata su terreni di pendenza superiore a quella riportata nelle specifiche.</li> </ul>

PROBLEMA	CAUSA	SOLUZIONE
Premendo il pedale del freno di stazionamento quando la macchina si trova su un terreno in pendenza, la macchina scivola in discesa.	<ul style="list-style-type: none"> <li>I componenti del freno sono eccessivamente usurati a causa di un utilizzo improprio della macchina.</li> </ul>	<ul style="list-style-type: none"> <li>Contattare il servizio clienti EGO per la riparazione.</li> </ul>
Durante la pulizia del piatto di taglio, l'acqua non fuoriesce dalla porta di lavaggio.	<ul style="list-style-type: none"> <li>L'attacco rapido della porta di lavaggio non è fissato correttamente alla porta di lavaggio.</li> </ul>	<ul style="list-style-type: none"> <li>Spingere con forza l'attacco rapido della porta di lavaggio fino a udire un clic. Se il problema persiste, contattare il servizio clienti EGO.</li> </ul>
Rumore anomalo durante la spinta manuale della macchina spenta.	<ul style="list-style-type: none"> <li>Il suono proviene dai magneti all'interno del motore trainante.</li> </ul>	<ul style="list-style-type: none"> <li>È un fenomeno normale e non è necessario intervenire.</li> </ul>
Il volante non ruota.	<ul style="list-style-type: none"> <li>Il volante è ostruito da detriti.</li> </ul>	<ul style="list-style-type: none"> <li>Controllare e rimuovere i detriti.</li> </ul>
La macchina non sterza quando il volante viene ruotato.	<ul style="list-style-type: none"> <li>Malfunzionamento dei componenti meccanici o elettronici.</li> </ul>	<ul style="list-style-type: none"> <li>Contattare il servizio clienti EGO per la riparazione.</li> </ul>
La macchina non si arresta al rilascio del pedale dell'acceleratore.	<ul style="list-style-type: none"> <li>La corsa di ritorno del pedale dell'acceleratore è ostruita da detriti.</li> </ul>	<ul style="list-style-type: none"> <li>Controllare e rimuovere i detriti.</li> </ul>
	<ul style="list-style-type: none"> <li>Il pulsante CCS è stato premuto accidentalmente durante la guida, attivando il cruise control.</li> </ul>	<ul style="list-style-type: none"> <li>Controllare se l'icona CCS è illuminata sul display; se necessario, disattivare la funzione CSS. Consultare la sezione "<b>FUNZIONE CRUISE CONTROL (CCS)</b>".</li> </ul>
La funzione CSS non può essere attivata o disattivata.	<ul style="list-style-type: none"> <li>Il pulsante CCS non è stato premuto correttamente.</li> </ul>	<ul style="list-style-type: none"> <li>Premere il pulsante CCS finché l'icona CCS sul display non si illumina o si spegne.</li> </ul>

PROBLEMA	CAUSA	SOLUZIONE
La macchina non si muove all'indietro quando la leva destra/sinistra viene tirata verso l'operatore.	<ul style="list-style-type: none"> <li>L'indicatore dello stato della macchina non è illuminato di verde e la macchina non è pronta per l'uso.</li> </ul>	<ul style="list-style-type: none"> <li>Consultare la sezione "AVVIO DELLA MACCHINA" per fare in modo che l'indicatore dello stato della macchina si illumini di verde e la macchina sia pronta per l'uso.</li> </ul>
	<ul style="list-style-type: none"> <li>L'operatore non ha tirato correttamente la leva destra/sinistra verso sé.</li> </ul>	<ul style="list-style-type: none"> <li>Tirare la leva destra, la leva sinistra o entrambe simultaneamente verso l'operatore fino a udire un "clic".</li> </ul>
	<ul style="list-style-type: none"> <li>L'operatore non ha mantenuto la leva destra/sinistra tirata verso sé.</li> </ul>	<ul style="list-style-type: none"> <li>Per guidare in retromarcia, almeno una leva deve essere mantenuta tirata verso l'operatore.</li> </ul>
	<ul style="list-style-type: none"> <li>La leva destra/sinistra è guasta.</li> </ul>	<ul style="list-style-type: none"> <li>Contattare un tecnico qualificato per la riparazione.</li> </ul>

## SIMBOLI SUL DISPLAY E CODICI ERRORE

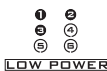


Display LCD	Descrizione	Codice errore sul display	Indicatore dello stato della macchina	Segnale acustico	Causa	Soluzione
	L'icona delle luci è illuminata.	n/a	Spento	No	I fanali anteriori e posteriori e le luci laterali sono stati accesi tramite l'interruttore delle luci.	È normale. Non è necessario intervenire.
	L'icona USB è illuminata.	n/a	Spento	No	Il dispositivo USB è collegato correttamente alla presa USB e verrà alimentato dopo l'accensione della macchina.	È normale. Non è necessario intervenire.
	L'indicatore della carica delle batterie è illuminato.	n/a	Spento	No	Indica la capacità di carica media delle batterie inserite.	È normale. Non è necessario intervenire.
	Il contatore è illuminato.	n/a	Spento	No	Indica il tempo di funzionamento totale della macchina in ore. Non può essere azzerato.	È normale. Non è necessario intervenire.




Display LCD	Descrizione	Codice errore sul display	Indicatore dello stato della macchina	Segnale acustico	Causa	Soluzione
	L'indicatore del carico è nell'intervallo ECO.	n/a	Spento	No	Indica il carico corrente sul motore.	È normale. Non è necessario intervenire.
	L'icona della retromarcia è illuminata.	n/a	Spento	No	Indica che la macchina si sta muovendo in retromarcia.	È normale. Non è necessario intervenire.
	L'icona della chiave di sicurezza lampeggia.	n/a	Spento	No	La chiave di sicurezza non è inserita.	Inserire la chiave di sicurezza e tenere premuto il pulsante di avvio/arresto per avviare la macchina.
					Il pannello di controllo della chiave è guasto.	Affidare la riparazione a un tecnico qualificato.
	L'icona di un vano batteria lampeggia.	n/a	Spento	No	Sovracorrente in un gruppo batteria durante la scarica.	Non è necessario intervenire. La macchina può continuare a funzionare se gli Ah totali dei gruppi batteria, escluso il gruppo batteria con sovracorrente, corrispondono alle specifiche. Quando il gruppo batteria con sovracorrente ritorna alla corrente normale, alimenterà immediatamente la macchina e l'icona si spegnerà.
	L'icona di un vano batteria vuoto lampeggia.	n/a	Spento	No	La capacità delle batterie non è sufficiente per il funzionamento della macchina.	Per avviare la macchina è necessario un numero sufficiente di gruppi batteria EGO, come indicato alla sezione <b>"INSTALLAZIONE E RIMOZIONE DEI GRUPPI BATTERIA"</b> di questo manuale.




Display LCD	Descrizione	Codice errore sul display	Indicatore dello stato della macchina	Segnale acustico	Causa	Soluzione
	L'indicatore di sovraccarico lampeggia.	n/a	Rosso lampeggiante	Uno	Il motore delle lame è sovraccarico.	Aumentare l'altezza del piatto di taglio o diminuire la velocità di marcia per ridurre il carico sul motore.
					Lo scivolo di scarico laterale è ostruito da erba e detriti.	Pulire la macchina dopo ogni utilizzo.
					Interferenza tra la lama e il piatto di taglio.	Contattare il servizio clienti EGO.
	L'icona della temperatura lampeggia.	n/a	Spento	Uno	Il motore si è surriscaldato.	Aumentare l'altezza del piatto di taglio o diminuire la velocità di marcia e delle lame per ridurre il carico sul motore. Effettuare una pausa e lasciare che la macchina si raffreddi.
					La macchina è troppo fredda.	Non effettuare ripetuti tentativi per evitare di danneggiare la macchina. Conservare la macchina e i gruppi batteria in un ambiente caldo. Riavviare la macchina quando si è riscaldata.

Display LCD	Descrizione	Codice errore sul display	Indicatore dello stato della macchina	Segnale acustico	Causa	Soluzione
	L'icona della temperatura lampeggia e l'icona di un vano batteria occupato lampeggia.	n/a	Spento	No	Il gruppo batteria nel vano corrispondente si è surriscaldato.	<p>1. La macchina può continuare a funzionare se gli Ah totali dei gruppi batteria, escluso il gruppo batteria surriscaldato, corrispondono alle specifiche. Quando il gruppo batteria surriscaldato ritorna alla temperatura normale, alimenterà immediatamente la macchina.</p> <p>2. Se gli Ah totali dei gruppi batteria sono insufficienti, la macchina non si avvierà a meno che non vengano inseriti altri gruppi batteria nei vani vuoti.</p> <p>3. Aumentare l'altezza del piatto di taglio o diminuire la velocità per ridurre il carico sul motore.</p>
	Le icone dei vani batteria occupati, l'indicatore di esaurimento delle batterie e l'indicatore della carica delle batterie lampeggiano ogni secondo. Inoltre, il primo segmento dell'indicatore della carica delle batterie e l'indicatore dello stato della macchina lampeggiano.	n/a	Rosso lampeggiante	Continuo fino alla pressione dell'interruttore PTO.	La carica dei gruppi batteria è bassa e la macchina è in modalità a efficienza ridotta.	<p>Interrompere il lavoro e recarsi presso l'area di ricarica delle batterie.</p> <p><b>NOTA:</b> quando la macchina è in modalità a efficienza ridotta, la velocità delle lame viene ridotta automaticamente, e verrà emesso un segnale acustico continuo. Premere l'interruttore PTO per spegnere il motore delle lame. Il segnale acustico si interromperà allo spegnimento del motore delle lame.</p>

Display LCD	Descrizione	Codice errore sul display	Indicatore dello stato della macchina	Segnale acustico	Causa	Soluzione
	Le icone dei vani batteria occupati e l'indicatore di esaurimento delle batterie lampeggiano ogni mezzo secondo; inoltre, il primo segmento dell'indicatore della carica delle batterie lampeggia di rosso ogni mezzo secondo.	n/a	Rosso lampeggiante	Continuo	I gruppi batteria sono quasi scarichi.	La macchina si arresterà immediatamente. È necessario portare la macchina presso l'area di ricarica delle batterie.
	L'icona di stazionamento automatico lampeggia.	n/a	Spento	Continuo	La macchina è ferma su un terreno in pendenza e l'operatore è sceso senza portare il pedale del freno in posizione di innesto.	Portare il pedale del freno di stazionamento in posizione di innesto. L'icona di stazionamento automatico si spegnerà e il segnale acustico si interromperà.
	L'icona del pedale del freno è illuminata.	n/a	Spento	No	Il pedale del freno di stazionamento è in posizione di innesto.	Portarlo in posizione di disinnesto prima di avviare la macchina.

**NOTA:** Se sul display appare un codice errore, rimuovere tutti i gruppi batteria, attendere qualche minuto e reinserirli. Se il problema persiste, seguire le istruzioni riportate di seguito.

Display LCD	Descrizione	Codice errore sul display	Indicatore dello stato della macchina	Segnale acustico	Causa	Soluzione
	L'icona del sensore del sedile è illuminata.	n/a	Spento	No	L'operatore si è alzato dal sedile o il sistema di bloccaggio di sicurezza del sedile è scollegato.	Se l'icona è accesa ma l'operatore è seduto sul sedile, arrestare immediatamente la macchina e controllare il collegamento del sedile. Se il cavo del sedile è collegato correttamente, contattare un tecnico qualificato per la riparazione.

Display LCD	Descrizione	Codice errore sul display	Indicatore dello stato della macchina	Segnale acustico	Causa	Soluzione
	L'icona dell'interruttore PTO lampeggia.	n/a	Spento	No	Il motore delle lame è stato spento e l'interruttore PTO non è stato premuto.	Prima di riavviare la macchina, premere l'interruttore PTO per spegnere il motore delle lame. Consultare la sezione " <b>RISOLUZIONE DEI PROBLEMI</b> " per maggiori informazioni.
	L'icona di rigenerazione lampeggia occasionalmente.	n/a	Spento	No	L'energia cinetica generata durante la frenata o la guida in discesa è stata convertita in elettricità per ricaricare i gruppi batteria.	È normale. Non è necessario intervenire.
	L'icona CCS lampeggia.	n/a	Spento	No	Malfunzionamento della funzione CCS (cruise control).	La funzione CSS non può essere attivata quando la macchina avanza a velocità ridotta o in retromarcia.

**IT**

Display LCD	Descrizione		Codice errore sul display	Indicatore dello stato della macchina	Segnale acustico	Causa	Soluzione
Vedi "Codice errore"	Il motore trainante sinistro non ruota.	Malfunzionamento del circuito stampato che controlla il motore trainante sinistro.	413	Spento	Uno	Malfunzionamento del circuito stampato.	Affidare la riparazione a un tecnico qualificato.
		La spina (trifase, cavo di alimentazione) che collega il motore trainante sinistro al rispettivo circuito stampato è allentata.	317	Spento	Uno	Connessione allentata.	
		La spina (sei poli, cavo di segnale) che collega il motore trainante sinistro al rispettivo circuito stampato è allentata.	301	Spento	Uno	Connessione allentata.	
		Malfunzionamento del motore trainante sinistro.	317	Spento	Uno	Malfunzionamento del motore.	

Display LCD	Descrizione	Codice errore sul display	Indicatore dello stato della macchina	Segnale acustico	Causa	Soluzione	
Vedi "Codice errore"	Il motore trainante destro non ruota.	Malfunzionamento del circuito stampato che controlla il motore trainante destro.	313	Spento	Uno	Malfunzionamento del circuito stampato.	Affidare la riparazione a un tecnico qualificato.
		La spina (trifase, cavo di alimentazione) che collega il motore trainante destro al rispettivo circuito stampato è allentata.	417	Spento	Uno	Connessione allentata.	
		La spina (sei poli, cavo di segnale) che collega il motore trainante destro al rispettivo circuito stampato è allentata.	401	Spento	Uno	Connessione allentata.	
		Malfunzionamento del motore trainante destro.	417	Spento	Uno	Malfunzionamento del motore.	
Vedi "Codice errore"	Il motore della lama sinistra non ruota.	Malfunzionamento del circuito stampato che controlla il motore della lama sinistra.	607	n/a	Uno	Malfunzionamento del circuito stampato.	Affidare la riparazione a un tecnico qualificato.
		La spina (trifase, cavo di alimentazione) che collega il motore della lama sinistra al rispettivo circuito stampato è allentata.	509	n/a	Uno	Connessione allentata.	Per prima cosa, ispezionare la lama. Se è allentata, serrare il bullone alla coppia raccomandata. In alternativa, affidare la riparazione a un tecnico qualificato.
		Malfunzionamento del motore della lama sinistra.	509	n/a	Uno	Malfunzionamento del motore.	

**IT**



Display LCD	Descrizione		Codice errore sul display	Indicatore dello stato della macchina	Segnale acustico	Causa	Soluzione
Vedi "Codice errore"	Il motore della lama destra non ruota.	Malf funzionamento del circuito stampato che controlla il motore della lama destra.	507	n/a	Uno	Malf funzionamento del circuito stampato.	Affidare la riparazione a un tecnico qualificato.
		La spina (trifase, cavo di alimentazione) che collega il motore della lama destra al rispettivo circuito stampato è allentata.	609	n/a	Uno	Connessione allentata.	Per prima cosa, ispezionare la lama. Se è allentata, serrare il bullone alla coppia raccomandata. In alternativa, affidare la riparazione a un tecnico qualificato.
		Malf funzionamento del motore della lama destra.	609	n/a	Uno	Malf funzionamento del motore.	
Vedi "Codice errore"	Malf funzionamento del pedale dell'acceleratore.		311/ 411	Spento	Uno	Malf funzionamento del circuito stampato.	Affidare la riparazione a un tecnico qualificato.
			307/ 407			Connessione allentata.	
Vedi "Codice errore"	Malf funzionamento del volante.		312/ 412	Spento	Uno	Malf funzionamento del circuito stampato. Connessione allentata.	Affidare la riparazione a un tecnico qualificato.
Vedi "Codice errore"	Malf funzionamento del freno di stazionamento; la macchina non si muove.	Malf funzionamento del circuito stampato del freno di stazionamento, situato nella parte anteriore del telaio.	309/ 409	Spento	Uno	Malf funzionamento del circuito stampato.	Affidare la riparazione a un tecnico qualificato.
		L'interruttore del freno di stazionamento e/o il cavo sono danneggiati.	801	Spento	Uno	Malf funzionamento del cavo o dell'interruttore.	

Display LCD	Descrizione	Codice errore sul display	Indicatore dello stato della macchina	Segnale acustico	Causa	Soluzione
Spento	Malfunzionamento della presa di ricarica	n/a	Rosso fisso	n/a	Il circuito della presa di ricarica è aperto.	Affidare la riparazione a un tecnico qualificato.
		n/a	Rosso fisso	n/a	Alimentazione assente.	Controllare che la presa di corrente sia alimentata a 220-240 V.
		n/a	Rosso fisso	n/a	Il fusibile è saltato.	Affidare la riparazione a un tecnico qualificato.
Vedi "Codice errore"	Malfunzionamento della presa di ricarica.	204	n/a	Uno	Il circuito della presa di ricarica è aperto.	Affidare la riparazione a un tecnico qualificato.
Vedi "Codice errore"	Malfunzionamento dell'unità di alimentazione.	217	n/a	Uno	La batteria della macchina non fornisce energia elettrica. I fanali LED e la presa USB non funzionano.	Affidare la riparazione a un tecnico qualificato.
		310/ 410	Spento	Uno	Malfunzionamento del collegamento tra i cavi di tipo C della batteria della macchina e gli altri cavi di tipo C della macchina.	
		201/ 202/ 203	Spento	Uno	Il BMS della batteria della macchina è danneggiato.	
Vedi "Codice errore"	Malfunzionamento dell'interruttore di avvio/arresto.	314/ 414	Spento	Uno	Malfunzionamento del circuito stampato o del cavo di collegamento dell'interruttore di avvio/arresto.	Affidare la riparazione a un tecnico qualificato.

Display LCD	Descrizione	Codice errore sul display	Indicatore dello stato della macchina	Segnale acustico	Causa	Soluzione
Vedi "Codice errore"	Malfunzionamento del display	315/ 415	Spento	Uno	Il display è danneggiato o non è collegato correttamente.	Affidare la riparazione a un tecnico qualificato.

**IT**

## GARANZIA

### CONDIZIONI DELLA GARANZIA EGO

Visitare il sito web [egopowerplus.com](http://egopowerplus.com) per consultare le condizioni complete della garanzia EGO.

## LEES ALLE INSTRUCTIES!



**LEES DE GEBRUIKSAANWIJZING**

## VEILIGHEIDSSYMBOL

Het doel van de veiligheidssymbolen is om u te wijzen op mogelijke gevaren. Besteed daarom voldoende aandacht hieraan en begrijp de veiligheidssymbolen en bijbehorende uitleg. De symboolwaarschuwingen op zich elimineren geen enkel gevaar. De verstrekte instructies en waarschuwingen gelden niet als vervanging voor gepaste voorzorgsmaatregelen tegen ongevallen.

**⚠ WAARSCHUWING:** Lees en begrijp alle veiligheidsinstructies die in deze gebruiksaanwijzing staan vermeld, waaronder alle veiligheidssymbolen zoals "GEVAAR", "WAARSCHUWING", en "OPGELET" voordat u dit gereedschap in gebruik neemt. Het negeren van onderstaande instructies kan leiden tot een elektrische schok, brand en/of ernstig persoonlijk letsel.

NL

## BETEKENIS VAN DE SYMBOLEN

Deze pagina toont en beschrijft alle veiligheidssymbolen die zich op dit product kunnen bevinden. Lees, begrijp en volg alle instructies op de machine voordat u deze in elkaar zet en gebruikt.

## VEILIGHEIDSSYMBOLEN

	Veiligheidswaarschuwing		Lees en begrijp de gebruiksaanwijzing
	Oogbescherming		Onderhoud van veiligheidsvoorzieningen
	GEVAAR - gevaar voor steile hellingen		GEVAAR - houd omstanders uit de buurt van de messen
	Vervoer nooit kinderen met het apparaat		Kijk achterom terwijl u achteruit rijdt
	WAARSCHUWING - Gebruik dit apparaat niet op hellingen van meer dan 12°		GEVAAR - Rondvliegende voorwerpen
	WAARSCHUWING - HOUD HANDEN EN VOETEN UIT DE BUURT VAN BEWEGENDE DELEN		Gewaarborgd geluidsvermogensniveau. In overeenstemming met de richtlijnen van de Europese Unie.



Ga niet op de grasmaaier staan



Gooi elektrisch afval niet via het huishoudelijk afval weg. Breng het naar een geautoriseerd recyclingbedrijf.



Dit product is in overeenstemming met de geldende EG-richtlijnen



VOORZICHTIG – Kijk niet rechtstreeks in de verlichting

NL



Gelijkstroom



Dit product is in overeenstemming met de toepasselijke richtlijnen van het VK.

kPa	Kilopascal
V	Volt
in	Inch
Nm	Newtonmeter
°C	Celsius
km/u	Kilometer per uur

TPM	Toeren per minuut
m	Meter
cm	Centimeter
mm	Millimeter
kg	Kilogram
IPX4	Beschermingsgraad bij binnendringen

## VEILIGHEIDSSYMBOLLEN



De informatie moet in acht worden genomen



De aangegeven actie stopt

## SPECIFICATIES

Spanning		56V
Afmetingen dek		107 cm
Wielmaat	Voorkant	279,4 x 101,6 – 127 mm
	Achterkant	457,2 x 241,3 – 203.2 mm
Bandenspanning in koude toestand	Voorkant	222,1 kPa
	Achterkant	110,3 kPa
Draaicirkel		0
Snelheid van het mes (TPM)		2400; 2600; 2800; 3000

Maximale rijsnelheid	Vooruit	4,8 km/u, 8,1 km/u, 9,7 km/u, 11,3 km/u (12,8 km/u in rijmodus)
	Achteruit	tot 5,6 km/h
Bezig met opladen	Oplader (optioneel)	CHV1600E
	Adapter (optioneel)	ACA1000
	Oplaadtemperatuurbereik	5°C - 40°C
Aanpassing voor de maaihoogte (10 posities)		25 – 100 mm
Bedrijfstemperatuur		0°C - 40°C

Opslagtemperatuur	-20°C - 70°C	
Gewicht (zonder accupack)	196 kg	
Gemeten geluidsniveau $L_{WA}$	96,44 dB(A) K=0,68 dB(A)	
Geluidsdruk niveau bij het oor van de gebruiker $L_{PA}$	84,3 dB(A) K=3,0 dB(A)	
Gegarandeerd geluidsniveau $L_{WA}$ (gemeten volgens 2000/14/EG)	100 dB(A)	
Trilling $a_h$	Hand	1,221 m/s <sup>2</sup> K=1,5 m/s <sup>2</sup>
	Behuizing	0,568 m/s <sup>2</sup> K=1,5 m/s <sup>2</sup>

- De opgegeven totale vibratiewaarde is gemeten volgens de standaard testmethode en kan worden gebruikt om het apparaat met een ander apparaat te vergelijken;
- De opgegeven totale vibratiewaarde kan tevens worden gebruikt in een voorafgaande beoordeling op blootstelling.

**OPMERKING:** De trillingsemisatie tijdens het werkelijk gebruik van het elektrisch gereedschap kan verschillen van de opgegeven totale waarde; Om de gebruiker te beschermen dient de gebruiker tijdens het gebruik handschoenen en gehoorbescherming te dragen.

## AANBEVOLEN ACCESSOIRES

**⚠WAARSCHUWING:** Gebruik uitsluitend identieke reserve-onderdelen die beneden worden vermeld. Het gebruik van onderdelen die niet aan de specificaties van de originele uitrusting voldoen kunnen verkeerde prestaties leveren en de veiligheid in gevaar brengen.

NAAM VAN HET ONDERDEEL	MODELNUMMER
Standaard mes	AB4200
Hoog mes	AB4201
Mulch-stekker	AMP4200
Grasopvangset	ABK4200-A

Achterbumper	AMB1000
Transportbox	AMG1000
Zonnescherm	AMS1000

## BESCHRIJVING

### INFORMATIE OVER DE GRASMAAIER (afb. A1)

- Zitting
- Laadpoort
- Voedingseenheid
- Led-achterlicht
- Opbergvak
- Led-zijlicht
- Achterwiel (wielaandrijving)
- Waspoort
- Dek
- Dekbeschermer
- Antiscalpwiel
- Voorwiel
- Parkeerrem
- Dagrijlampen
- Led koplampen
- Gaspedaal
- Voetensteungebied
- Zijkoker
- Hendel voor het instellen van de dekhoogte
- Stoelvering aanpassingsknop
- Stuur
- Rechter zijvak
- Hendel voor het instellen van de zittinghoogte
- PTO-schakelaar
- Start/stop-knop
- Veiligheidssleutel
- Telefoonvak
- Bekerhouders
- Linker stuurhendel
- Grasmaaier-statusindicator

NL

31. Lcd-scherm
32. Rechter stuurhendel
33. Schakelaar voor het aanpassen van de snelheid van de messen
34. CCS-knop
35. Rijmodus-knop
36. Led-lichtschakelaar
37. Instelknop voor de rijnsnelheid
38. Voedingseenheidafdekking ontgrendelingsknop
39. Voedingseenheidafdekking
40. Voedingseenheid met zes accucompartimenten
41. Accuvrijgaveknop
42. Trekhaak
43. Bevestigingsafdekking
44. USB-poort

### HET LCD-SCHERM (afb. A2)

Zie het hoofdstuk "**GRASMAAIER STATUSREFERENTIE EN STORINGSCODE**" voor meer informatie over symbolen en indicatoren op het lcd-scherm.

1. Achteruit-pictogram
2. CCS-pictogram
3. Veiligheidssleutelsymbool
4. Verlichtingsymbool
5. Automatisch parkeersymbool
6. USB-symbool
7. Snelheidsindicator voor de messen
8. Veiligheidssysteem statusindicator
9. Uurmeter
10. Pictogram accuvak leeg
11. Temperatuurpictogram
12. Pictogram accuvak bezet
13. Rijmodus
14. Foutcode indicator
15. Overbelastingsindicator
16. Gering vermogen-indicator
17. Vermogensmeter

18. Belastingindicator
19. Snelheidsindicator tijdens het rijden

## UITPAKKEN

**OPMERKING:** Bewaar het verpakkingsmateriaal totdat u het apparaat grondig hebt gecontroleerd en het naar tevredenheid werkt. Als er onderdelen ontbreken, neem dan alstublieft contact op met de klantenservice van EGO.

**OPMERKING:** Behalve de onderdelen in de onderstaande paklijst, zijn alle andere vermelde gereedschappen in de gebruiksaanwijzing slechts een aanbeveling en niet meegeleverd.

**OPMERKING:** Verwijder het schuimblok onder het stuur niet voordat het stuur goed is gemonteerd. Trillingen tijdens het rijden kunnen schade aan het stuur veroorzaken.

### PAKLIJST (AFB. B)

B-1	Zero-turn zitmaaier	B-2	Zitting
B-3	Mulch-stekker	B-4	Binnenzeskantschroeven (2 als reserve)
B-5	Inbussleutel	B-6	Dopsleutel
B-7	Steeksleutel	B-8	Veiligheidssleutels
B-9	Waspoort snelkoppeling	B-10	Gebruikershandleidingen

## MONTAGE

### DE ZITTING INSTALLEREN (afb. C1 en C4)

**⚠ WAARSCHUWING:** Het veiligheidsvergrendelingssysteem mag niet worden losgekoppeld of overbrugd. Als u dit doet, kan de grasmaaier hierdoor onverwacht reageren, wat persoonlijk letsel tot gevolg heeft.



**OPMERKING:** Voor uw eigen veiligheid, stopt de grasmaaier als de schakelaar voor de zitting wordt losgekoppeld tijdens het rijden. In dit geval moet u de alinea "**PROBLEEMOPLOSSING**" bekijken voor meer informatie.

C1-1	Aansluiting	C1-2	Stekker
C1-3	Kabel	C2-1	Zittingarm
C2-2	Ophanging	C2-3	Binnenzeskantsleutel
C2-4	Inbusschroeven	C2-5	Hendel voor het instellen van de zittinghoogte
C3-1	Stalen rails	C3-2	Binnenzeskantsleutel
C3-3	Inbusschroeven	C4-1	Haak

### HET STUURWIEL INSTALLEREN (afb. C5 – C6)

C5-1	Vergrendelingsbout	C5-2	Stang
C6-1	Klemblok	C6-2	Gleuf
C6-3	Stuurwielbeschermer		

### BEVESTIGEN VAN DE MULCH-STEKKER (afb. C7)

C7-1	Zijkoker	C7-2	Mulch-stekker
C7-3	Beweegbare veer		

## INSTELLING

### VOOR DE AFSTELLING (afb. D1)

### AANPASSEN VAN DE HOOGTE VAN HET MAAIDEK (afb. D2)

### AANPASSEN VAN DE ANTISCALPWIELEN (afb. D3 – D6)

D3-1	Antiscalpwiel	D5-1	Moer
D5-2	Spanbout	D6-1	Dekhoogtelabel

### AANPASSEN VAN DE ZITTING (afb. D7)

D7-1	Hendel voor het instellen van de zittinghoogte	D7-2	Stoelvering aanpassingsknop
------	--	------	-----------------------------

### HET STUUR AFSTELLEN (afb. D8)

D8-1	Vergrendelingsbout	D8-2	Stang
D8-3	Klemblok	D8-4	Gleuf

NL

## GEBRUIK

### VOOR GEBRUIK (afb. E1)

### AFSTELLEN VAN DE PARKEERREM (afb. E2)

E2-1	Ontgrendelde positie	E2-2	Rempositie
------	----------------------	------	------------

**OPMERKING:** Trap nooit het parkeerrempedaal in om de snelheid te verlagen. Zodra het parkeerrempedaal voldoende is ingetrapt, maar niet in de volledige parkeerstand, stopt de maaier met rijden op een vlakke ondergrond, maar als dit op een helling gebeurt, kan de maaier van de helling afglijden.

### HET ACCUPACK INSTALLEREN/VERWIJDEREN (afb. E3 – E6)

Om deze grasmaaier te starten, vereisen de accu's een totale lading van 15 Ah (2x BA4200T/BA4200T) of meer. Voor de beste prestaties raden wij het gebruik van EGO-accu's aan met een totaal van 30 Ah of meer.

E3-1	Vrijgaveknop voor de afdekking	E5-1	Accu-ontgrendelingsknop
------	--------------------------------	------	-------------------------

### DE GRASMAAIER OPLADEN

Gebruik alleen met de aanbevolen accupacks en laders.

- De accupack(s) apart laden (afb. E7)

**OPMERKING:** Raadpleeg de bijbehorende handleidingen voor accu's en opladers voor gedetailleerde instructies.

- Laad de accu('s) op via de oplaadpoort (afb. E8-E10)

E10-1	Stofafdekking	E10-2	Laadpoort
-------	---------------	-------	-----------

## CONTROLEER HET VEILIGHEIDSVERGREDELINGSSYSTEEM.

- a. Om het dek-messysteem te testen (afb. E11 – E12)
- b. Om het aandrijfsysteem te testen (afb. E13 – E14)

Als het dek-messysteem en/of het rijstelsysteem niet stopt als de gebruiker niet op de zitting zit en als de oorzaak niet kan worden vastgesteld na de controle of de stekker is aangesloten op de zitting, moet u onmiddellijk contact opnemen met uw EGO-klantenservice.

NL

## CHECKLIST VOOR GEBRUIK:

- Zorg ervoor dat zich geen kinderen, omstanders en huisdieren in het werkgebied bevinden.
- Maak het werkgebied schoon van voorwerpen die door de messen van de grasmaaier door de lucht kunnen worden geslingerd.
- Verwijder vuil van de grasmaaier.
- Controleer op losse bevestigingsmiddelen.
- Controleer of alle beschermingen op hun plaats zitten en goed werken.
- Controleer visueel of de banden zijn opgepompt.
- Controleer de werking van de rem.
- Stel de hoogte van het maaidek in op de gewenste maaipositie die het best geschikt is voor het gazon en stel de antiscalpwielen dienovereenkomstig af.
- Stel de zitpositie in en zorg ervoor dat beide pedalen bereikbaar zijn.
- Stel indien nodig het stuur in de gewenste stand.
- Controleer het laadniveau van de accu.
- Controleer het veiligheidsvergrendelingssysteem.

## DE GRASMAAIER STARTEN (afb. E15 – afb. E16)

**⚠ WAARSCHUWING:** Voorkom plotselinge starts/stops en bochten, maar ook buitensporige snelheid, in het bijzonder tijdens het leren van de omgang met de grasmaaier. De grasmaaier kan snel draaien, waardoor u de controle kunt verliezen wat tot ernstig letsel en/of schade kan leiden.

**⚠ WAARSCHUWING:** Voordat u de grasmaaier start, dient u te controleren of de messen worden ontkoppeld binnen 5 sec. als u de PTO-schakelaar naar beneden drukt. Als de messen niet stoppen, mag u de grasmaaier niet gebruiken en moet u direct contact opnemen met de EGO-klantenservice.

**OPMERKING:** Volg afb. E17 en afb. E18 om de geringste rijnsnelheid en de STANDAARD rijmodus te krijgen totdat u volledig in staat bent de grasmaaier in alle situaties te gebruiken.

De grasmaaier zal de vorige rijmodus, rijnsnelheid en kalibratie van het stuurwiel opslaan en weergeven wanneer hij opnieuw wordt gestart.

## AANPASSING VAN DE RIJSNELHEID (afb. E17)

- **BEDIENING:** Geringe versnelling, minder gevoelige omgang en een geringe snelheid in de bochten om het gras te beschermen en voor nieuwe gebruikers.
- **STANDAARD:** Perfect voor dagelijks gebruik.
- **SPORT:** Hogere versnelling, nauwkeurige omgang en scherpe bochten om de maai-effectiviteit te maximaliseren en voor enthousiaste gebruikers.

**OPMERKING:** De rijmodus kan tijdens het rijden niet worden aangepast. De functie wordt alleen geactiveerd als de maaiwiel zijn gestopt.

## Aanpassing van de rijnsnelheid (afb. E18)

**OPMERKING:** Druk in de "TURBO"-modus op de "-", de rijnsnelheid keert terug naar de vorige modus.

## Aanpassing van de snelheid van de messen (afb. E19)

### Led-verlichting

- De koplampen, zijlampen en achterlichten worden bediend door de led-lichtschakelaar.
- De dagrijlampen blijven altijd aan tijdens het rijden.
- Als u achteruit rijdt en als de achterlichten zijn uitgeschakeld, zullen ze knipperen om omstanders te waarschuwen; als de achterlichten zijn ingeschakeld, blijven ze aan.
- Alle lichten gaan uit wanneer de maaier automatisch wordt uitgeschakeld na een periode zonder gebruik.

## USB-poort

**OPMERKING:** De USB-poort biedt een laadmogelijkheid van 5V DC met een gecombineerde afname van 1,5 ampère en staat alleen ter beschikking als de grasmaaier loopt.

## DE GRASMAAIER STOPPEN (afb. E20)

**OPMERKING:** Als er meer dan 60 minuten geen activiteit plaatsvindt, gaat de grasmaaier vanzelf uit.

### Thuisbreng-modus

Wanneer de acculading kritiek laag wordt, gaat de grasmaaier in de thuisbreng-modus om voldoende stroom te behouden om terug te gaan naar het oplaadgebied.

- De messen schakelen over naar een lage rotatiesnelheid, waarbij slechts weinig gras kan worden gemaaid. Bij hoog en dicht gras, zullen de messen stoppen met draaien. De audio-indicator zal met tussenpozen klinken (piepen).
- De statusindicator van de grasmaaier knippert elke seconde rood, zowel de laagvermogenindicator als de accu-afbeeldingen op de brandstofmeter knipperen.

De gebruiker moet:

- De PTO-schakelaar naar beneden drukken om de mesmotoren uit te zetten. De audio-indicator stopt wanneer de mesmotoren stoppen.
- Stop met werken en ga zo snel mogelijk naar het oplaadgebied. De maximale afstand die de grasmaaier kan afleggen bedraagt 1000 m.

Als de accu bijna leeg is, knippert het symbool van elk gebruikt accuvak en de laagvermogenindicator elke halve seconde. De grasmaaier stopt onmiddellijk. De gebruiker zal de grasmaaier naar het oplaadgebied moeten vervoeren om op te laden.

**OPMERKING:** Als u handmatig moet duwen, zorg er dan voor dat de accu's zijn losgekoppeld van de grasmaaier en het parkeerrem-pedaal is ontkoppeld van de rempositie.

## RIJDEN MET DE GRASMAAIER (afb. E21)

**⚠ GEVAAR:** Blijf op minstens twee maaibreedtes afstand van greppels, hellingen of water. De voorwielen kunnen draaien als de grasmaaier is gestopt, zelfs als de rem is geactiveerd, en kunnen ervoor zorgen dat de grasmaaier over de rand gaat of in het water beland wat de dood of ernstig letsel tot gevolg kan hebben.

**⚠ WAARSCHUWING:** Let op wat zich achter de grasmaaier bevindt als u achteruit rijdt. Maai NIET in de achteruit tenzij dit absoluut noodzakelijk is. Kijk altijd naar beneden en achter u voordat u achteruit rijdt om ervoor te zorgen dat zich geen kinderen, omstanders of huisdieren binnen het maaibereik bevindt. Denk eraan dat een fractie van een seconde onoplettendheid ernstig letsel teweeg kan brengen.

**⚠ WAARSCHUWING:** Gebruik de maaimachine niet op de openbare weg.

**⚠ WAARSCHUWING:** Als er sprake van een blokkade is of als u een vreemd voorwerp raakt, dient u de motor te stoppen en de accu's te verwijderen. Verwijder vastzittend gras, bladeren, verontreinigingen en ander opgehoopt vuil; inspecteer de grasmaaier grondig op schade en repareer de schade alvorens de grasmaaier weer te starten en te gebruiken.

## CRUISECONTROL (CCS) GEBRUIKEN

### CCS activeren tijdens het rijden (afb. E22)

**OPMERKING:** Het rijsnelheidsniveau dat op het lcd-scherm wordt weergegeven, geeft mogelijk niet nauwkeurig de werkelijke rijsnelheid van de grasmaaier in cruisecontrol weer. Druk op een van de snelheidsaanpassingsknoppen ("←" of "→") om te "verfrissen" en het rijsnelheidsniveau op het lcd-scherm aan te passen.

**Om CCS te verlaten en de grasmaaier te stoppen,** kunt u een van de vier manieren kiezen:

- Trap het gaspedaal iets in en laat het dan los.
- Trek de linker/rechter stuurhendel naar de bestuurder toe en laat dan los.
- Druk op het parkeerrempedaal.
- Druk op de CCS-knop.

**OPMERKING:** Trap het gaspedaal helemaal in om de huidige CCS-rijnsnelheid te bereiken en blijf ingedrukt houden. De CCS-functie stopt en de grasmaaier rijdt verder met de huidige snelheid.

## ONDERHOUD

**⚠ WAARSCHUWING:** Draag altijd een veiligheidsbril met zijschermen. Als u dit niet doet kan het ertoe leiden dat voorwerpen in uw ogen terechtkomen wat ernstig letsel kan veroorzaken.

NL

**⚠ WAARSCHUWING:** Bescherm altijd uw handen door handschoenen te dragen of door de snijvlakken met doeken of andere materialen in te wikkelen voordat u onderhoud aan de messen van de grasmaaier uitvoert. Verwijder altijd de veiligheidssleutel en de accupacks tijdens onderhoud aan of transport van de grasmaaier.

Onderhoudsinterval	Onderhoudsprocedure
Voor elk gebruik of dagelijks	<ul style="list-style-type: none"> <li>Controleer het veiligheidsvergrendelingssysteem.</li> <li>Controleer visueel of de banden zijn opgepompt.</li> <li>Inspecteer de messen.</li> <li>Controleer het gehele product op beschadigingen, ontbrekende of los zittende onderdelen zoals de zijkoker, schroeven, moeren, bouten, doppen etc., zorg ervoor dat alle beschermingen op hun plek zitten en correct werken.</li> <li>Controleer en zorg ervoor dat het gaspedaal goed kan worden ingetrapt en losgelaten.</li> <li>Controleer de stuurdemper. Het stuur moet een zekere weerstand hebben wanneer het gedraaid wordt.</li> </ul>
Na elk gebruik	<ul style="list-style-type: none"> <li>Reinig het maaidek.</li> </ul>
Elke 25 uur	<ul style="list-style-type: none"> <li>Controleer de bandenspanning.</li> </ul>

Elke 100 uur	<ul style="list-style-type: none"> <li>Controleer de achterwielen; zorg ervoor dat de bouten en moeren zijn aangedraaid met het aanbevolen aanhaalmoment.</li> </ul>
Elke 200 uur	<ul style="list-style-type: none"> <li>Controleer de voorwielen, zorg dat ze vrij kunnen draaien.</li> </ul>
Voor opslag	<ul style="list-style-type: none"> <li>Haal het accupack uit de grasmaaier.</li> <li>Verwijder de veiligheidssleutel uit de grasmaaier.</li> <li>Voer alle bovengenoemde onderhoudsprocedures uit en maak de grasmaaier grondig schoon.</li> <li>Inspecteer het hele product op beschadigde, ontbrekende of losse onderdelen, vervang of draai de overeenkomstige onderdelen vast voordat u deze opbergt.</li> </ul>
Jaarlijks	<ul style="list-style-type: none"> <li>Controleer het parkeerrempedaal. Verwijder de accu van de grasmaaier en zet de parkeerrem in de parkeerpositie. Druk de grasmaaier met de hand naar voren om te zien of de grasmaaier beweegt of niet. Als de machine nog beweegt, moet u hem laten onderhouden door een gekwalificeerde onderhoudsmonteur.</li> </ul>

### ALGEMEEN ONDERHOUD

**De behuizing van de grasmaaier reinigen (afb. F1 – F2)**

**Waspoort gebruiken om het maaidek schoon te maken (afb. F3 – F4)**

F2-1	Waspoort	F2-2	Waspoort snelkoppeling
F2-3	Tuinslang		

**OPMERKING:** Als u klaar bent met schoonmaken, schakelt u de grasmaaier volledig uit en verwijdert u vervolgens de tuinslang en snelkoppeling.

## ONDERHOUD VAN HET MAAIDEK EN DE MESSEN

### VOORBEREIDING (afb. G1)

#### Maaidek verwijderen (afb. G2 – G3)

G2-1	Motorkabel	G2-2	Ophangingsmechanisme
G2-3	Splitpen		

**OPMERKING:** Koppel alle motorkabels los en maak de splitpenen van het maaidek los.

#### Vervang de snijmessen (afb. G4 – afb. G6)

G4-1	Stabilisator	G5-1	Bout
G5-2	Sluitring	G5-3	Mes
G5-4	Flens	G5-5	Motorschacht

#### Het maaidek nivelleren

- a. **Wanneer moet worden genivelleerd (afb. G7 – G9)**
- b. **Voor het nivelleren**
  - Controleer de bandenspanning in koude toestand (afb. G10)
  - Controleer de snijmessen. Verwijder en vervang indien nodig versleten, gescheurde en/of gebogen messen.
- c. **Vorbereiding voor nivellering (afb. G11)**
- d. **Hoe te nivelleren**
  - Een aanpassing van zijkant naar zijkant maken (afb. G12)
  - Een aanpassing van voor- naar achterkant maken (afb. G13)

## KALIBREREN VAN HET MAAIERTRACKING SYSTEEM (afb. H1 – H2)

**OPMERKING:** De zoemer-indicator is een keer te horen als de kalibratie wordt gestart en als de kalibratie is afgesloten.

**OPMERKING:** De voltooide kalibratie voor een van de rijmodi ("CONTROL", "STANDARD", "SPORT") is mogelijk niet beschikbaar voor de andere twee modi. Kalibreer het stuur indien nodig in elke rijmodus afzonderlijk.

## DE GRASMAAIER RESETTEN NAAR DE STANDAARD INSTELLINGEN (afb. I)

**OPMERKING:** De zoemer-indicator is een keer te horen als het resetten wordt gestart en als het resetten is afgesloten.

**OPMERKING:** Als het resetten is gelukt, keren onderstaande instellingen terug naar de oorspronkelijke fabrieksinstelling:

- rijmodus
- rijsnelheid
- kalibratie van het stuur

## OPSLAG EN TRANSPORT

### DE GRASMAAIER TRANSPORTEREN (afb. J1 – J5)

**OPMERKING:** Beveilig de grasmaaier indien nodig, gebruik banden of kabels om bewegingen tijdens het transport te voorkomen.

### OPSLAG (afb. K1 – K2)

**OPMERKING:** Verwijder de accupacks en berg de accu's op volgens de instructies in de betreffende handleidingen.

Reinig en controleer de grasmaaier alvorens hem op te bergen en zie hiervoor de hoofdstukken "DE GRASMAAIER SCHOONMAKEN" en "AANBEVOLEN ONDERHOUDSSCHEMA('S)".

#### Het milieu beschermen



WEEE (afgedankte elektrische en elektronische apparatuur) Gooi geen elektrische apparatuur, gebruikte accu's en laders weg via het huishoudelijk afval! Geef dit product af bij een geautoriseerd recyclingbedrijf en zorg dat het apart kan worden ingezameld. Elektrisch gereedschap moet worden afgegeven voor een milieuvriendelijke recycling.



## PROBLEEMOPLOSSING

NL

PROBLEEM	OORZAAK	OPLOSSING
De zero-turn zitmaaier rijdt niet wanneer het gaspedaal wordt ingetrapt.	<ul style="list-style-type: none"> <li>De gecombineerde Ah van de geplaatste accu's voldoet niet aan de vereiste.</li> </ul>	<ul style="list-style-type: none"> <li>Om deze maaier te starten, moet u voldoende EGO -batterijen gebruiken volgens de instructies in het gedeelte "<b>ACCUPACK AANSLUITEN/ VERWIJDEREN</b>" in deze handleiding.</li> </ul>
	<ul style="list-style-type: none"> <li>Het parkeerrempedaal bevindt zich in de rempositie.</li> </ul>	<ul style="list-style-type: none"> <li>Druk het parkeerrempedaal volledig in om hem te ontkoppelen uit de rempositie.</li> </ul>
	<ul style="list-style-type: none"> <li>De linker en rechter stuurhendel worden niet kort in de richting van de bestuurder getrokken, zodat de statusindicator van de grasmaaier groen gaat branden bij het starten van de grasmaaier.</li> </ul>	<ul style="list-style-type: none"> <li>Trek <b>BEIDE</b> stuurhendels tegelijkertijd naar de bestuurder toe en laat dan los. De statusindicator van de grasmaaier gaat groen branden, wat betekent dat de grasmaaier klaar is om te starten.</li> </ul>
	<ul style="list-style-type: none"> <li>De gebruiker zit niet op de zitting.</li> </ul>	<ul style="list-style-type: none"> <li>Alleen als de gebruiker juist op de zitting zit, kan hij de grasmaaier bedienen.</li> </ul>
	<ul style="list-style-type: none"> <li>De schakelaar van de zitting is niet juist aangesloten.</li> </ul>	<ul style="list-style-type: none"> <li>Verwijder de accu uit de grasmaaier en demonteer de stoel in de omgekeerde volgorde van de instructies in paragraaf "<b>DE ZITTING INSTALLEREN</b>" in deze handleiding om er zeker van te zijn dat de kabelstekker goed is aangesloten op de aansluiting aan de onderkant van de stoel. Monteer de zitting weer en volg de instructies in "<b>DE GRASMAAIER STARTEN</b>" om de grasmaaier opnieuw te starten en zie of de grasmaaier kan worden gestart. Als dat niet lukt, neemt u contact op met een gekwalificeerde servicemonteur voor reparatie.</li> </ul>
	<ul style="list-style-type: none"> <li>Bij extreem koud eer kan de rijfunctie eventueel niet succesvol starten als gevolg van de bescherming tegen lage temperaturen.</li> </ul>	<ul style="list-style-type: none"> <li>Berg de grasmaaier en de accu altijd op in een warme omgeving. Herstart de grasmaaier als hij is opgewarmd. Voer alstublieft geen herhaaldelijke pogingen onder extreem koude omstandigheden uit omdat deze de machine kunnen beschadigen.</li> </ul>
	<ul style="list-style-type: none"> <li>De bewegingsruimte van het gaspedaal is verstopt met vuil.</li> </ul>	<ul style="list-style-type: none"> <li>Controleer en verwijder het vuil.</li> </ul>
	<ul style="list-style-type: none"> <li>Storing van mechanische of elektronische componenten van het gaspedaal.</li> </ul>	<ul style="list-style-type: none"> <li>Neem contact op met een gekwalificeerde servicemonteur voor reparatie.</li> </ul>

PROBLEEM	OORZAAK	OPLOSSING
De zero-turn zitmaaier stopt met rijden.	<ul style="list-style-type: none"> <li>▪ Linker/rechter stuurhendel vereist een "reset".</li> </ul>	<ul style="list-style-type: none"> <li>▪ Trek de linker/rechter stuurhendel naar de bestuurder toe en laat ze los. Als de statusindicator groen brandt, is de grasmaaier gereed om te rijden.</li> </ul>
	<ul style="list-style-type: none"> <li>▪ Defecte elektronische componenten van het gaspedaal.</li> </ul>	<ul style="list-style-type: none"> <li>▪ Neem contact op met een gekwalificeerde servicemonteur voor reparatie.</li> </ul>
	<ul style="list-style-type: none"> <li>▪ Het veiligheidsvergrendelingssysteem van de stoel is losgekoppeld tijdens het rijden op ruw terrein.</li> </ul>	<ul style="list-style-type: none"> <li>▪ Verwijder de accu uit de grasmaaier en demonteer de stoel in de omgekeerde volgorde van de instructies in paragraaf "<b>DE ZITTING INSTALLEREN</b>" in deze handleiding om er zeker van te zijn dat de kabelstekker goed is aangesloten op de aansluiting aan de onderkant van de stoel. Monteer de zitting weer en volg de instructies in "<b>DE GRASMAAIER STARTEN</b>" om de grasmaaier opnieuw te starten en zie of de grasmaaier kan worden gestart. Als dat niet lukt, neemt u contact op met een gekwalificeerde servicemonteur voor reparatie.</li> </ul>
	<ul style="list-style-type: none"> <li>▪ Het gewicht van de gebruiker is niet gelijkmatig over de stoel verdeeld. Het gewicht van de gebruiker op de stoel moet minimaal 20 kg zijn om het veiligheidsvergrendelingssysteem van de stoel goed te laten werken</li> </ul>	<ul style="list-style-type: none"> <li>▪ Ga goed op de stoel zitten, trek links/rechts of beide stuurhendels naar de bestuurder toe en laat ze los, dan is de grasmaaier klaar om te rijden.</li> </ul>
	<ul style="list-style-type: none"> <li>▪ Het parkeerrempedaal wordt ingetrapt om de rijsnelheid te verlagen. Zodra het parkeerrempedaal voldoende is ingetrapt, maar niet in de parkeerstand, stopt de grasmaaier.</li> </ul>	<ul style="list-style-type: none"> <li>▪ Koppel de accu los en bevestig indien nodig opnieuw.</li> <li>▪ Volg de instructies in "<b>DE GRASMAAIER STARTEN</b>" om de grasmaaier opnieuw te starten.</li> </ul>
De rijmodus kan tijdens het rijden niet worden aangepast.	<ul style="list-style-type: none"> <li>▪ Dit is een eigenschap van de zero-turn zitmaaier om veilig te rijden.</li> </ul>	<ul style="list-style-type: none"> <li>▪ De functie wordt alleen geactiveerd als de maaiwiel zijn gestopt.</li> </ul>



De zero-turn zitmaaier start de messen niet als de PTO-schakelaar wordt gedrukt.



Het PTO-schakelaarsymbool knippert

PROBLEEM	OORZAAK	OPLOSSING
<p>De zero-turn zitmaaier start de messen niet als de PTO-schakelaar wordt gedrukt.</p> <p>Het PTO-schakelaarsymbool knippert</p>	<ul style="list-style-type: none"> <li>De gecombineerde Ah van de geplaatste accu's voldoet niet aan de vereiste.</li> </ul>	<ul style="list-style-type: none"> <li>Om deze maaier te starten, moet u voldoende EGO -batterijen gebruiken volgens de instructies in het gedeelte "<b>HET ACCUPACK AANSLUITEN/ VERWIJDEREN</b>" in deze handleiding.</li> </ul>
	<ul style="list-style-type: none"> <li>De PTO-schakelaar is niet ingedrukt toen de grasmaaier de laatste keer werd uitgeschakeld.</li> </ul>	<ul style="list-style-type: none"> <li>Druk de PTO-schakelaar naar beneden en start de mesmotoren opnieuw.</li> </ul>
	<ul style="list-style-type: none"> <li>De grasmaaier is overbelast op het moment dat de messen beginnen te draaien, waardoor de zelfbescherming van de motor wordt geactiveerd.</li> </ul>	<ul style="list-style-type: none"> <li>Start de grasmaaier eerst met een lage snelheid van de messen en totdat de messen de juiste rotatie bereiken, mag u de snelheid van de messen niet in de gewenste snelheid verhogen.</li> </ul>
	<ul style="list-style-type: none"> <li>Bij extreem koud weer starten de mesmotoren mogelijk niet als gevolg van de bescherming tegen lage temperaturen.</li> </ul>	<ul style="list-style-type: none"> <li>Berg de grasmaaier en de accu altijd op in een warme omgeving. Herstart de grasmaaier als hij is opgewarmd. Voer alstublieft geen herhaaldelijke pogingen onder extreem koude omstandigheden uit omdat deze de machine kunnen beschadigen.</li> </ul>
	<ul style="list-style-type: none"> <li>Het mes raakt het vervormde maaidek</li> </ul>	<ul style="list-style-type: none"> <li>Bel de EGO-klantenservice.</li> </ul>
	<ul style="list-style-type: none"> <li>De grasmaaier rijdt met de snelheid "RIJDEN".</li> </ul>	<ul style="list-style-type: none"> <li>Wanneer de grasmaaier op "RIJDEN"-snelheid rijdt, stoppen de mesmotoren automatisch.</li> </ul>

PROBLEEM	OORZAAK	OPLOSSING
De messen stoppen tijdens het maaien van gras.	<ul style="list-style-type: none"> <li>De grasmaaier is overbelast.</li> </ul>	<ul style="list-style-type: none"> <li>Verhoog de maaihoogte van het dek of verlaag de rijsnelheid om de belasting van de grasmaaier te verlagen.</li> </ul>
	<ul style="list-style-type: none"> <li>De grasmaaier is verstopt door gras en vuil.</li> </ul>	<ul style="list-style-type: none"> <li>Reinig het maaidek en controleer of de messen vrij kunnen bewegen.</li> </ul>
	<ul style="list-style-type: none"> <li>De grasmaaier is oververhit.</li> </ul>	<ul style="list-style-type: none"> <li>Reduceer de belasting van de grasmaaier, door de maaihoogte van het dek te verhogen of verlaag de snelheid van de messen/rijsnelheid en laat de grasmaaier afkoelen.</li> </ul>
	<ul style="list-style-type: none"> <li>De/het accupack(s) in de accuvakken van de grasmaaier is/ zijn oververhit, wat erin resulteert dat de gecombineerde Ah van alle aangesloten accu's te laag is.</li> </ul>	<ol style="list-style-type: none"> <li>De grasmaaier kan verder werken als de gecombineerde Ah-waarde van de accu's, inclusief oververhitte accu, het vereiste niveau bereikt. Zodra de oververhitte accu de normale temperatuur bereikt, gaat hij direct weer door met het voorzien van stroom voor de grasmaaier.</li> </ol>
		<ol style="list-style-type: none"> <li>Als het gecombineerde accuvermogen Ah lager is dan vereist, werkt de grasmaaier niet totdat meer accupacks worden aangesloten op de lege accuvakken.</li> </ol>
		<ol style="list-style-type: none"> <li>Reduceer de belasting van de grasmaaier, door de maaihoogte van het dek te verhogen of langzamer te maaien om het gebruik te hervatten.</li> </ol>
	<ul style="list-style-type: none"> <li>De grasmaaier bevindt zich in de thuisbreng-modus.</li> </ul>	<ul style="list-style-type: none"> <li>Als de grasmaaier zich in de thuisbreng-modus bevindt, gaan de messen automatisch over naar de geringe rotatiesnelheid zonder gras te maaien. De gebruiker moet stoppen met werken en zo snel mogelijk naar de het acculaadstation gaan.</li> </ul>
	<ul style="list-style-type: none"> <li>De grasmaaier heeft een vreemd voorwerp geraakt, waardoor de motor is overgegaan naar de zelfbescherming.</li> </ul>	<ul style="list-style-type: none"> <li>Druk de PTO-schakelaar naar beneden en start de mesmotoren opnieuw.</li> </ul>
<ul style="list-style-type: none"> <li>De snelheid van de maaier wordt aangepast in de modus "TRAVEL".</li> </ul>	<ul style="list-style-type: none"> <li>Wanneer de maaisnelheid in de "TRAVEL"-modus staat, stoppen de bladmotoren automatisch.</li> </ul>	

PROBLEEM	OORZAAK	OPLOSSING
De audio-indicator blijft klinken.	<ul style="list-style-type: none"> <li>De grasmaaier bevindt zich in de thuisbreng-modus en de messen zijn niet uitgeschakeld.</li> </ul>	<ul style="list-style-type: none"> <li>Druk de PTO-schakelaar naar beneden om de messen los te koppelen. De audio-indicator stopt wanneer de mesmotoren zijn uitgeschakeld.</li> </ul>
	<ul style="list-style-type: none"> <li>De grasmaaier stopt met rijden op een helling en de gebruiker zit niet op de zitting zonder het parkeerrempedaal in de remstand te zetten.</li> </ul>	<ul style="list-style-type: none"> <li>Druk het parkeerrempedaal in de rempositie alvorens de grasmaaier op een helling te parkeren.</li> </ul>
De accu-indicatoren zijn nog steeds aan terwijl de grasmaaier is uitgeschakeld.	<ul style="list-style-type: none"> <li>Wanneer de grasmaaier wordt uitgezet zonder de accu('s) uit de grasmaaier te verwijderen, blijven de accu-indicatoren, de start/stop-knop en de CCS-knop nog enige tijd branden.</li> </ul>	<ul style="list-style-type: none"> <li>U hoeft niets te doen. De accu-indicatoren gaan uit als de maaier na een tijdje wordt uitgeschakeld. Raadpleeg het gedeelte "<b>DE MAAIER STOPPEN</b>" voor een specifieke tijd.</li> </ul>
	<ul style="list-style-type: none"> <li>Als de grasmaaier wordt uitgeschakeld op een helling zonder het parkeerrempedaal in de rempositie te zetten, blijven de accu-indicatoren branden totdat de accu leeg is. De zoemer-indicator blijft gelijktijdig zoemen.</li> </ul>	<ul style="list-style-type: none"> <li>Druk het parkeerrempedaal in de rempositie alvorens de grasmaaier op een helling te parkeren.</li> </ul>
Het lcd-scherm begint niet te branden met alle symbolen aan.	<ul style="list-style-type: none"> <li>Start/stop-knop is lang genoeg ingedrukt.</li> </ul>	<ul style="list-style-type: none"> <li>Het lcd-scherm toont alleen 'vermogensmeter' als de start/stop-knop kort wordt ingedrukt.</li> </ul>
		<ul style="list-style-type: none"> <li>Het lcd-scherm gaat aan nadat de start/stop-knop enkele momenten wordt ingedrukt.</li> </ul>
De grasmaaier maait niet gelijkmatig, met duidelijke hoogteverschillen voor en achter.	<ul style="list-style-type: none"> <li>De messen zijn bot.</li> </ul>	<ul style="list-style-type: none"> <li>Slijp of vervang het snijmes zoals vermeld in deze gebruiksaanwijzing.</li> </ul>
	<ul style="list-style-type: none"> <li>De messen zijn verbogen.</li> </ul>	<ul style="list-style-type: none"> <li>Vervang het gebogen snijmes volgens de instructies in het hoofdstuk "<b>DE SNIJMESSEN VERVANGEN</b>".</li> </ul>
	<ul style="list-style-type: none"> <li>Het maaidek is niet genivelleerd, wat voor verschillend hoge snijmessen zorgt.</li> </ul>	<ul style="list-style-type: none"> <li>Nivelleer het maaidek volgens de instructies in hoofdstuk "<b>HET MAAID EK NIVELLEREN</b>".</li> </ul>

PROBLEEM	OORZAAK	OPLOSSING
De daadwerkelijke maaihoogte is niet genivelleerd met de aanbevolen hoogte.	<ul style="list-style-type: none"> <li>De moeren van het maaidek op het ophangingsmechanisme zijn los</li> </ul>	<ul style="list-style-type: none"> <li>Volg de instructies in het hoofdstuk "<b>HET MAAIDEK NIVELLEREN</b>" om de voor- en achterkant van het maaidek juist in te stellen en maak de vier moeren op het ophangingsmechanisme goed vast (twee aan elke zijde).</li> </ul>
	<ul style="list-style-type: none"> <li>Het maaidek is beschadigd of zeer versleten.</li> </ul>	<ul style="list-style-type: none"> <li>Volg de instructies in het hoofdstuk "<b>HET MAAIDEK VERWIJDEREN</b>" om het maaidek te vervangen.</li> </ul>
De grasmaaier mulcht niet goed.	<ul style="list-style-type: none"> <li>Nat gemaaid gras blijft aan de onderkant van het dek plakken.</li> </ul>	<ul style="list-style-type: none"> <li>Wacht totdat het gras droog is voordat u het maait.</li> </ul>
	<ul style="list-style-type: none"> <li>De grasmaaier is zo ingesteld dat hij te veel gras in een keer moet maaien.</li> </ul>	<ul style="list-style-type: none"> <li>Beweeg het dek omhoog naar de maaihoogte.</li> </ul>
Overmatige trillingen.	<ul style="list-style-type: none"> <li>De messen zitten los.</li> </ul>	<ul style="list-style-type: none"> <li>Draai de bout van het mes vast met het aanbevolen aanhaalmoment.</li> </ul>
	<ul style="list-style-type: none"> <li>De messen zijn verbogen.</li> </ul>	<ul style="list-style-type: none"> <li>Vervang het gebogen snijmes volgens de instructies in het hoofdstuk "<b>DE SNIJMESSEN VERVANGEN</b>".</li> </ul>
	<ul style="list-style-type: none"> <li>Het maaidek is niet genivelleerd.</li> </ul>	<ul style="list-style-type: none"> <li>Nivelleer het maaidek volgens de instructies in hoofdstuk "<b>HET MAAIDEK NIVELLEREN</b>".</li> </ul>
	<ul style="list-style-type: none"> <li>De moeren van het maaidek op het ophangingsmechanisme zijn los.</li> </ul>	<ul style="list-style-type: none"> <li>Draai de moeren op de ophangstang vast.</li> </ul>
	<ul style="list-style-type: none"> <li>De grasmaaier is zo ingesteld dat hij te veel gras in een keer moet maaien.</li> </ul>	<ul style="list-style-type: none"> <li>Beweeg het dek omhoog naar de maaihoogte.</li> </ul>
Er blijft gras of vuil achter op de grond na het maaien.	<ul style="list-style-type: none"> <li>De grasmaaier is zo ingesteld dat hij te veel gras in een keer moet maaien als het gras te lang is.</li> </ul>	<ul style="list-style-type: none"> <li>Begin met een hoge maaihoogte en reduceer totdat het gewenste maairesultaat is bereikt. Gras van meer dan 15 cm moet in twee keer worden gemaaid, met opeenvolgend lager wordende hoogtes.</li> </ul>
	<ul style="list-style-type: none"> <li>Het gras is nat.</li> </ul>	<ul style="list-style-type: none"> <li>Maai het gras niet als het nat is, wacht totdat het droog is.</li> </ul>
	<ul style="list-style-type: none"> <li>De rijsnelheid is te hoog.</li> </ul>	<ul style="list-style-type: none"> <li>Verlaag de rijsnelheid.</li> </ul>
	<ul style="list-style-type: none"> <li>De snelheid van het mes is te laag.</li> </ul>	<ul style="list-style-type: none"> <li>Verhoog de snelheid van het mes geleidelijk.</li> </ul>







PROBLEEM	OORZAAK	OPLOSSING
Een korte gebruiksduur van de grasmaaier met inbegrepen accu.	<ul style="list-style-type: none"> <li>▪ Gazonerrein, grasomstandigheden, maaihoogte-instelling, rijsnelheid, messnelheid, etc. hebben een grote invloed op de looptijd.</li> </ul>	<ul style="list-style-type: none"> <li>▪ Verhoog de maaihoogte van het dek of verlaag de snelheid van het mes om de belasting tijdens het maaien te verminderen.</li> </ul>
De grasmaaier loopt niet recht.	<ul style="list-style-type: none"> <li>▪ De bandenspanning voor het linker- en rechterachterwiel is verschillend.</li> </ul>	<ul style="list-style-type: none"> <li>▪ Controleer en stel de luchtdruk in beide achterwielen af, volgens het hoofdstuk "<b>SPECIFICATIES</b>".</li> </ul>
	<ul style="list-style-type: none"> <li>▪ De rijsnelheden voor het linker- en rechterachterwiel is verschillend.</li> </ul>	<ul style="list-style-type: none"> <li>▪ Kalibreer het stuursysteem van de grasmaaier volgens de instructies in het hoofdstuk "<b>HET TRACKINGSYSTEEM VAN DE GRASMAAIER KALIBREREN</b>".</li> </ul>
Het parkeerrempedaal kan niet worden ontgrendeld uit de rempositie of springt slechts langzaam terug.	<ul style="list-style-type: none"> <li>▪ Er is een hoop vuil of afzetting aan de binnenkant van het parkeerrempedaal.</li> </ul>	<ul style="list-style-type: none"> <li>▪ Open de parkeerrempedaal-box door de binnenkant van de box grondig te reinigen en hem weer te sluiten. Reset het parkeerrempedaal om te zien of het probleem is opgelost. Als dat niet lukt, neemt u contact op met een gekwalificeerde servicemonteur voor reparatie.</li> </ul>
De grasmaaier kan niet worden geladen via de laadpoort terwijl de statusindicatie van de grasmaaier continu rood brandt.	<ul style="list-style-type: none"> <li>▪ De stekker van de lader is niet juist aangesloten op de laadpoort van de grasmaaier.</li> </ul>	<ul style="list-style-type: none"> <li>▪ Sluit de laadstekker weer aan om te zien of de grasmaaier normaal kan worden opgeladen.</li> </ul>
	<ul style="list-style-type: none"> <li>▪ Er staat geen stroom op het stopcontact.</li> </ul>	<ul style="list-style-type: none"> <li>▪ U hoeft niets te doen. Wacht totdat de spanning herstelt.</li> </ul>
	<ul style="list-style-type: none"> <li>▪ Storing van de lader.</li> </ul>	<ul style="list-style-type: none"> <li>▪ Bel de EGO-klantenservice voor inspectie en laat de oplader zo nodig repareren.</li> </ul>
	<ul style="list-style-type: none"> <li>▪ De laadpoort van de grasmaaier is defect.</li> </ul>	<ul style="list-style-type: none"> <li>▪ Bel de EGO-klantenservice.</li> </ul>
De laadduur via de laadpoort van de grasmaaier is te lang.	<ul style="list-style-type: none"> <li>▪ Het gebruik van de EGO-adapter ACA1000 vergt een langere tijd.</li> </ul>	<ul style="list-style-type: none"> <li>▪ Gebruik de EGO lader CHV1600E voor het direct laden van de zero-turn zitmaaier.</li> </ul>
De accu kan niet volledig worden opgeladen via de laadpoort van de grasmaaier.	<ul style="list-style-type: none"> <li>▪ Firmwarefout van de grasmaaier of de accu of de oplader is defect.</li> </ul>	<ul style="list-style-type: none"> <li>▪ Reset de oplader door de oplader los te koppelen en langer dan enkele minuten te wachten. Sluit vervolgens de stekker weer aan op de voeding. Als dit het probleem niet oplost, bel dan de EGO-klantenservice.</li> </ul>

PROBLEEM	OORZAAK	OPLOSSING
De grasmaaier kan niet worden gestart na het reinigen.	<ul style="list-style-type: none"> <li>Onjuiste reiniging, waardoor bijvoorbeeld water in de elektrische componenten, het lcd-scherm etc. komt.</li> </ul>	<ul style="list-style-type: none"> <li>Volg de instructies in het hoofdstuk "<b>ALGEMEEN ONDERHOUD</b>" om de grasmaaier correct te reinigen.</li> </ul>
		<ul style="list-style-type: none"> <li>Als de grasmaaier onbedoeld in de regen terecht komt, laat u de maaier drogen of gebruikt u perslucht om hem te drogen.</li> </ul>
Het maaidek raakt snel verstopt.	<ul style="list-style-type: none"> <li>Het maaidek is niet goed schoongemaakt na eerder gebruik.</li> </ul>	<ul style="list-style-type: none"> <li>Reinig het maaidek na elk gebruik, doe dit aan de hand van het hoofdstuk "<b>GEBRUIK DE WASPOORT OM HET MAAIDEK TE REINIGEN</b>".</li> </ul>
De grasmaaier verliest snel de tractie als hij een helling moet beklimmen.	<ul style="list-style-type: none"> <li>De banden van de achterwielen zijn versleten.</li> </ul>	<ul style="list-style-type: none"> <li>Ga naar een lokale werkplek om de banden van de wielen te vervangen.</li> </ul>
	<ul style="list-style-type: none"> <li>Maaien op een steile helling.</li> </ul>	<ul style="list-style-type: none"> <li>De grasmaaier mag niet worden gebruikt om hellingen te maaien die steiler zijn dan het vermelde aantal graden.</li> </ul>
Als de grasmaaier op een helling stopt met de parkeerrem gedrukt, kan de grasmaaier naar beneden glijden van de helling.	<ul style="list-style-type: none"> <li>De remcomponenten zijn uitermate versleten als gevolg van onjuist gebruik van de grasmaaier.</li> </ul>	<ul style="list-style-type: none"> <li>Bel de EGO-klantenservice voor reparatie.</li> </ul>
Er komt geen water uit de waspoort wanneer u probeert het dek te wassen.	<ul style="list-style-type: none"> <li>De waspoort-snelkoppeling is niet goed op de waspoort gemonteerd.</li> </ul>	<ul style="list-style-type: none"> <li>Bevestig de waspoort snelkoppeling opnieuw totdat u een klik hoort nadat u hem er stevig op heeft gedrukt. Als dat niet werkt, belt u de EGO-klantenservice.</li> </ul>
Er is een abnormaal geluid hoorbaar wanneer de grasmaaier handmatig wordt voortgeduwd zonder hem te starten.	<ul style="list-style-type: none"> <li>Het geluid is afkomstig van de magneten aan de binnenkant van de aandrijfmotor.</li> </ul>	<ul style="list-style-type: none"> <li>Het is normaal en u hoeft niets te doen.</li> </ul>
Het stuur kan niet worden gedraaid.	<ul style="list-style-type: none"> <li>Het stuursysteem is verstopt met vuil.</li> </ul>	<ul style="list-style-type: none"> <li>Controleer en verwijder het vuil.</li> </ul>
De grasmaaier draait niet naar links/rechts als het stuur wordt gedraaid.	<ul style="list-style-type: none"> <li>Storing van elektronische of mechanische componenten.</li> </ul>	<ul style="list-style-type: none"> <li>Bel de EGO-klantenservice voor reparatie.</li> </ul>



PROBLEEM	OORZAAK	OPLOSSING
De grasmaaier stopt niet wanneer u het gaspedaal loslaat.	<ul style="list-style-type: none"> <li>▪ Het retourpad van het gaspedaal is verstopt met vuil.</li> </ul>	<ul style="list-style-type: none"> <li>▪ Controleer en verwijder het vuil.</li> </ul>
	<ul style="list-style-type: none"> <li>▪ De CCS-knop wordt tijdens het rijden onbedoeld ingedrukt. De grasmaaier staat in cruisecontrol-modus</li> </ul>	<ul style="list-style-type: none"> <li>▪ Controleer of het CCS-pictogram op het lcd-scherm brandt en verlaat de CCS indien nodig. Zie hoofdstuk "<b>GEBRUIK VAN CRUISE CONTROL (CCS)</b>"</li> </ul>
NL De CCS-functie kan niet worden geactiveerd of uitgeschakeld.	<ul style="list-style-type: none"> <li>▪ De CCS-knop is niet goed ingedrukt.</li> </ul>	<ul style="list-style-type: none"> <li>▪ Druk op de CCS-knop totdat het CCS-pictogram op het lcd-scherm oplicht of van het lcd-scherm verdwijnt.</li> </ul>
De grasmaaier kan niet achteruit rijden wanneer de linker/rechter stuurhendel naar de bestuurder worden getrokken.	<ul style="list-style-type: none"> <li>▪ De statusindicator van de grasmaaier is niet groen en de grasmaaier is niet klaar om te rijden.</li> </ul>	<ul style="list-style-type: none"> <li>▪ Volg het hoofdstuk "DE GRASMAAIER STARTEN" om de statusindicator van de grasmaaier groen te laten worden en de grasmaaier is klaar om te rijden.</li> </ul>
	<ul style="list-style-type: none"> <li>▪ De linker/rechter stuurhendel wordt niet goed naar de bestuurder toe getrokken.</li> </ul>	<ul style="list-style-type: none"> <li>▪ Trek de linker stuurhendel of rechter stuurhendel of beide stuurhendels tegelijkertijd naar de bestuurder toe totdat u een "klik"-geluid hoort.</li> </ul>
	<ul style="list-style-type: none"> <li>▪ De linker/rechter stuurhendel wordt niet naar de bestuurder toe getrokken.</li> </ul>	<ul style="list-style-type: none"> <li>▪ Om achteruit te rijden, moet ten minste één van de stuurhendels naar de bestuurder toe worden getrokken.</li> </ul>
	<ul style="list-style-type: none"> <li>▪ De linker/rechter stuurhendel is kapot.</li> </ul>	<ul style="list-style-type: none"> <li>▪ Neem contact op met een gekwalificeerde servicemonteur voor reparatie.</li> </ul>



## GRASMAAIER STATUSREFERENTIE EN STORINGSCODE

Lcd-display	Beschrijving	Storingscode op het lcd-scherm	Grasmaai-er-statusin-dicator	Zoemer	Oorzaak	Oplossing
	Ledlampjes-pictogram verschijnt op het lcd-scherm.	n.v.t.	UIT	Nee	De koplampen, zijlampen en achterlichten worden ingeschakeld door de led-lichtschakelaar.	Dit is normaal. U hoeft niets te doen.
	USB-pictogram wordt weergegeven op het lcd-scherm.	n.v.t.	UIT	Nee	USB-symbool brandt om aan te geven dat een USB-apparaat kan werken nadat de grasmaai-er juist is gestart.	Dit is normaal. U hoeft niets te doen.
	Het brandstofmeterpictogram wordt weergegeven op het lcd-scherm.	n.v.t.	UIT	Nee	Het geeft de gemiddelde laadcapaciteit aan van de geplaatste accu's	Dit is normaal. U hoeft niets te doen.
	Uurmeterpictogram verschijnt op het lcd-scherm.	n.v.t.	UIT	Nee	Het geeft de totale rijtijd van de grasmaai-er aan in uren en kan niet worden gereset.	Dit is normaal. U hoeft niets te doen.
	Het belastingindicator-symbool wordt weergegeven in het ECO-bereik	n.v.t.	UIT	Nee	Het geeft de huidige belasting van de grasmaai-er aan.	Dit is normaal. U hoeft niets te doen.
	Omgekeerd pictogram verschijnt op het lcd-scherm.	n.v.t.	UIT	Nee	Het geeft aan dat de grasmaai-er achteruit rijdt.	Dit is normaal. U hoeft niets te doen.

**NL**


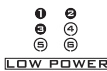


Lcd-display	Beschrijving	Storingscode op het lcd-scherm	Grasmaai-er-statusindicator	Zoemer	Oorzaak	Oplossing
	Het veiligheidssleutel symbool knippert.	n.v.t.	UIT	Nee	De veiligheidssleutel is niet geplaatst.	Plaats de veiligheidssleutel en houd de START/STOP-knop ingedrukt om de maaier in te schakelen.
					Het paneel van de veiligheidssleutel is defect	Laat reparaties uitvoeren door een gekwalificeerde servicetechnicus.
	Het pictogram van een bepaald accuvak knippert.	n.v.t.	UIT	Nee	Een bepaalde accu heeft een overstroomtoestand bereikt bij het ontladen.	U hoeft niets te doen. De grasmaai-er kan verder werken als de gecombineerde Ah-waarde van de accu's, behalve bij overstroom van de accu, voldoet aan het vereiste niveau. Zodra de overstroom-accu weer normaal wordt, zal deze de grasmaai-er onmiddellijk van stroom voorzien en zal het pictogram verdwijnen.

Lcd-display	Beschrijving	Storingscode op het lcd-scherm	Grasmaai-er-statusindicator	Zoemer	Oorzaak	Oplossing
	Het symbool van een leeg accuvak knippert.	n.v.t.	UIT	Nee	De accucapaciteit is niet voldoende om de grasmaai-er te laten werken.	Om deze maaier te starten, moet u voldoende EGO -batterijen gebruiken volgens de instructies in het gedeelte " <b>HET ACCUPACK AANSLUITEN/ VERWIJDEREN</b> " in deze handleiding.
	De overbelastingsindicator knippert.	n.v.t.	Knippert rood	Een keer zoemen	<p>De mesmotor is overbelast.</p> <p>De zijkoker van de grasmaai-er is verstopt door gras en vuil.</p> <p>Er is een probleem tussen het mes en het maaidek.</p>	<p>Verhoog de maaihoogte van het dek of verlaag de rijsnelheid om de belasting van de grasmaai-er te verlagen.</p> <p>Reinig de zijkoker na elk gebruik.</p> <p>Neem contact op met de EGO-klantenservice.</p>





NL

Lcd-display	Beschrijving	Storingscode op het lcd-scherm	Grasmaai-er-statusindicator	Zoemer	Oorzaak	Oplossing
	Het temperatuurpictogram knippert.	n.v.t.	UIT	Een keer zoemen	De grasmaai-er is oververhit.	Reduceer de belasting van de grasmaai-er, door de maaihoogte van het dek te verhogen of verlaag de snelheid van de messen/rijsnelheid. Pauzeer en laat de grasmaai-er afkoelen.
					De grasmaai-er is te koud.	Voer geen herhaalde pogingen uit die de machine kunnen beschadigen. Berg de grasmaai-er en de accu altijd op in een warme omgeving. Herstart de grasmaai-er als hij is opgewarmd.

Lcd-display	Beschrijving	Storingscode op het lcd-scherm	Grasmaai-er-statusindicator	Zoemer	Oorzaak	Oplossing
	Het temperatuurpictogram en het betreffende accuvak knippert op hetzelfde moment.	n.v.t.	UIT	Nee	<p>Het accupack in het bijbehorende compartiment. Genummerd accucompartiment is oververhit.</p>	<p>1. De grasmaaier kan verder werken als de gecombineerde Ah-waarde van de accu's, inclusief oververhitte accu, het vereiste niveau bereikt. Zodra de oververhitte accu de normale temperatuur bereikt, gaat hij direct weer door met het verzien van stroom voor de grasmaaier.</p> <p>2. Als het gecombineerde accuvermogen onvoldoende is, werkt de grasmaaier niet totdat meer accupacks worden aangesloten op de lege accuvakken.</p> <p>3. Reduceer de belasting van de grasmaaier, door de maaihoogte van het dek te verhogen of langzamer te maaien om het gebruik te hervatten.</p>

Lcd-display	Beschrijving	Storingscode op het lcd-scherm	Grasmaai-er-statusindicator	Zoemer	Oorzaak	Oplossing
	<p>Het symbool van elk bezet accuvak, geringe stroomindicator, accugrafieken of vermogensmeter knippert elke seconde op hetzelfde moment op het lcd-scherm. De eerste led-brandstofmeter en de statusindicator van de grasmaaier knipperen ook.</p>	n.v.t.	Knippert rood	Blijft zoemen totdat de PTO-schakelaar naar beneden wordt gedrukt	De accupacks hebben een gering vermogen en de grasmaaier bevindt zich in de thuisbreng-modus.	<p>Stop met werken en breng de accu naar de lader.</p> <p><b>OPMERKING:</b> Als de grasmaaier zich in de thuisbreng-modus bevindt, gaan de messen automatisch over naar de geringe rotatiesnelheid zonder gras te maaien en hoort u in de tussentijd de zoemer. De gebruiker moet de PTO-schakelaar naar beneden drukken om de mesmotoren uit te schakelen. De audio-indicator stopt met piepen nadat de messen zijn gestopt.</p>
	<p>Het pictogram van elk bezet accucompartiment en de indicator voor laag vermogen knipperen elke halve seconde, de eerste led-brandstofmeter knippert ook elke halve seconde rood.</p>	n.v.t.	Knippert rood	Blijft zoemen	De accupacks zijn bijna leeg.	De grasmaaier stopt onmiddellijk. De gebruiker moet de grasmaaier naar de acculader brengen om hem op te laden.
	<p>Het automatisch parkeren-symbool knippert op het lcd-scherm.</p>	n.v.t.	UIT	Blijft zoemen	De grasmaaier staat geparkeerd op een helling en de gebruiker verlaat de grasmaaier zonder het parkeerrempedaal in de remstand te zetten.	Zet het rempedaal in de rempositie. Het automatisch parkeersymbool gaat uit en de zoemer stopt met zoemen.
	<p>Het rempedaalpictogram wordt weergegeven op het lcd-scherm</p>	n.v.t.	UIT	Nee	Het parkeerrempedaal is ingesteld in de rempositie.	Loslaten voordat u de grasmaaier start.

**OPMERKING:** Als er een foutcode op het lcd-scherm verschijnt, verwijder dan alle accu's en plaats ze een paar minuten later opnieuw. Als dit het probleem niet oplost, volg dan de onderstaande foutcode probleemplossing.

Lcd-display	Beschrijving	Storingscode op het lcd-scherm	Grasmaai-er-sta-tusindica-tor	Zoemer	Oorzaak	Oplossing
	Het pictogram van de stoelsensor wordt weergegeven op het lcd-scherm	n.v.t.	UIT	Nee	De gebruiker verlaat de stoel of het veiligheidsvergrendelings-systeem van de stoel is ontkoppeld.	Als de gebruiker op de stoel zit, het symbool aan is, stop direct met het gebruik van de grasmaai-er en controleer de stoelverbinding. Als de stoelverbinding met de grasmaai-er juist is, moet u contact opnemen met een gekwalificeerde servicetechnicus voor reparaties.
	Het PTO-schakelaarsymbool knippert	n.v.t.	UIT	Nee	De mesmotor werd onderbroken en de PTO-schakelaar bevindt zich niet in de uit-positie.	Voordat u de grasmaai-er opnieuw start, drukt u de PTO-schakelaar omlaag om de mesmotoren uit te schakelen. Zie alstublieft het hoofdstuk " <b>PROBLEEMOPLOSSING</b> " in deze handleiding voor meer informatie.
	Het pictogram voor energieregeneratie knippert af en toe.	n.v.t.	UIT	Nee	De kinetische energie die wordt opgewekt tijdens het remmen of bergaf rijden is omgezet in elektriciteit om de accupacks op te laden.	Dit is normaal. U hoeft niets te doen.
	CCS-pictogram knippert	n.v.t.	UIT	Nee	De CCS-functie (cruise control system) is uitgevallen.	De CCS-functie kan niet worden ingesteld wanneer de grasmaai-er met zeer lage snelheid rijdt of achteruit rijdt.



NL

Lcd-display	Beschrijving	Storingscode op het lcd-scherm	Grasmaai-er-sta-tusindica-tor	Zoemer	Oorzaak	Oplossing
Zie "Storingscode"	De linker aandrijfmotor werkt niet tijdens een rotatie.	PCBA gecontroleerde linker aandrijfmotor werkt niet.	413	UIT	Een keer zoemen	PCBA storing
		Stekker (driefase, stroomdraad) aansluiting op de linker aandrijfmotor met de bijbehorende PCBA is losgeraakt.	317	UIT	Een keer zoemen	Losse verbinding
		Stekker (zes pinnen, signaaldraad) aansluiting op de linker aandrijfmotor met de bijbehorende PCBA is losgeraakt.	301	UIT	Een keer zoemen	Losse verbinding
		De linker aandrijfmotor werkt niet.	317	UIT	Een keer zoemen	Motorstoring
						Laat reparaties uitvoeren door een gekwalificeerde servicetechnicus.

Lcd-display	Beschrijving	Storingscode op het lcd-scherm	Grasmaai-er-sta-tusindica-tor	Zoemer	Oorzaak	Oplossing
Zie "Storingscode"	De rechter aandrijfmotor werkt niet tijdens een rotatie.	PCBA gecontroleerde rechter aandrijfmotor werkt niet.	313	UIT	Een keer zoemen	PCBA storing
		Stekker (driefase, stroomdraad) aansluiting op de rechter aandrijfmotor met de bijbehorende PCBA is losgeraakt.	417	UIT	Een keer zoemen	Losse verbinding
		Stekker (zes pinnen, signaaldraad) aansluiting op de rechter aandrijfmotor met de bijbehorende PCBA is losgeraakt.	401	UIT	Een keer zoemen	Losse verbinding
		De rechter aandrijfmotor werkt niet.	417	UIT	Een keer zoemen	Motorstoring
						Laat reparaties uitvoeren door een gekwalificeerde servicetechnicus.

**NL**

Lcd-display	Beschrijving	Storingscode op het lcd-scherm	Grasmaai-er-sta-tusindica-tor	Zoemer	Oorzaak	Oplossing	
Zie "Storingscode"	De linker mesmotor werkt niet tijdens een rotatie.	PCBA gecontroleerde linker mesmotor werkt niet.	607	n.v.t.	Een keer zoemen	PCBA storing	Laat reparaties uitvoeren door een gekwalificeerde servicetechnicus.
		Stekker (driefase, stroomdraad) aansluiting op de linker mesmotor met de bijbehorende PCBA is losgeraakt.	509	n.v.t.	Een keer zoemen	Losse verbinding	Inspecteer eerst het mes. Als deze wordt losgedraaid, draait u de bout vast met het aanbevolen aanhaalmoment. Laat reparaties anders uitvoeren door een gekwalificeerde servicetechnicus.
		De linker mesmotor werkt niet.	509	n.v.t.	Een keer zoemen	Motorstoring	Laat reparaties uitvoeren door een gekwalificeerde servicetechnicus.
Zie "Storingscode"	De rechter mesmotor werkt niet tijdens een rotatie.	PCBA gecontroleerde rechter mesmotor werkt niet.	507	n.v.t.	Een keer zoemen	PCBA storing	Laat reparaties uitvoeren door een gekwalificeerde servicetechnicus.
		Stekker (driefase, stroomdraad) aansluiting op de rechter mesmotor met de bijbehorende PCBA is losgeraakt.	609	n.v.t.	Een keer zoemen	Losse verbinding	Inspecteer eerst het mes. Als deze wordt losgedraaid, draait u de bout vast met het aanbevolen aanhaalmoment. Laat reparaties anders uitvoeren door een gekwalificeerde servicetechnicus.
		De rechter mesmotor werkt niet.	609	n.v.t.	Een keer zoemen	Motorstoring	Laat reparaties uitvoeren door een gekwalificeerde servicetechnicus.
Zie "Storingscode"	Gaspedaal werkt niet	311/ 411	UIT	Een keer zoemen	PCBA storing	Laat reparaties uitvoeren door een gekwalificeerde servicetechnicus.	
		307/ 407			Losse verbinding		
Zie "Storingscode"	Stuur werkt niet	312/ 412	UIT	Een keer zoemen	PCBA storing	Laat reparaties uitvoeren door een gekwalificeerde servicetechnicus.	
					Losse verbinding		

Lcd-display	Beschrijving		Storingscode op het lcd-scherm	Grasmaai-er-sta-tusindica-tor	Zoemer	Oorzaak	Oplossing
Zie "Storingscode"	De parkeerrem werkt niet, het de grasmaai-er kan niet worden gereden.	De parkeerrem PCBA, die zich aan de montage op het voorframe bevindt, is stuk.	309/409	UIT	Een keer zoemen	PCBA storing	Laat reparaties uitvoeren door een gekwalificeerde servicetechnicus.
		De parkeerrem-schakelaar en/of kabel is stuk.	801	UIT	Een keer zoemen	Bedrading/schakelaarstoring	
UIT	Laadpoort storing		n.v.t.	Permanent ROOD	n.v.t.	De laadpoort is in open circuit.	Laat reparaties uitvoeren door een gekwalificeerde servicetechnicus.
			n.v.t.	Permanent ROOD	n.v.t.	Er is geen stroomvoorziening.	Controleer het stopcontact of het een spanning van 220 - 240V levert.
			n.v.t.	Permanent ROOD	n.v.t.	De zekering is doorgebrand.	Laat reparaties uitvoeren door een gekwalificeerde servicetechnicus.
Zie "Storingscode"	Fout in oplaadpoort		204	n.v.t.	Een keer zoemen	De laadpoort is in open circuit.	Laat reparaties uitvoeren door een gekwalificeerde servicetechnicus.

Lcd-display	Beschrijving	Storingscode op het lcd-scherm	Grasmaai-er-sta-tusindica-tor	Zoemer	Oorzaak	Oplossing
Zie "Storingscode"	Accuvaksysteem werkt niet	217	n.v.t.	Een keer zoemen	De stroombron van het accuvak is stuk. De koplampen en USB zullen niet werken.	Laat reparaties uitvoeren door een gekwalificeerde servicetechnicus.
		310/ 410	UIT	Een keer zoemen	De verbinding tussen type C-bedrading van het accuvak en andere type C-bedradingen van de grasmaaier werken niet.	
		201/ 202/ 203	UIT	Een keer zoemen	De BMS van het accuvak is stuk.	
Zie "Storingscode"	Start/stop-schakelaar storing	314/ 414	UIT	Een keer zoemen	Schakelaar PCBA storing of slechte bedrading voor de start/stop-schakelaar.	Laat reparaties uitvoeren door een gekwalificeerde servicetechnicus.
Zie "Storingscode"	Lcd-scherm storing	315/ 415	UIT	Een keer zoemen	Lcd-scherm is stuk of slechte bedrading van het lcd-scherm.	Laat reparaties uitvoeren door een gekwalificeerde servicetechnicus.

## GARANTIE

### EGO-GARANTIEBELEID

Bezoek alstublieft de website [egopowerplus.com](http://egopowerplus.com) voor de volledige voorwaarden van het EGO-garantiebeleid.

## LÆS ALLE ANVISNINGER!



**LÆS BRUGSVEJLEDNINGEN**

## SIKKERHEDSSYMBOL

Formålet med sikkerheds- symboler er at tiltrække din opmærksomhed på mulige farer. Du skal være meget opmærksom på sikkerhedssymbolerne og forklaringerne til dem og lære at forstå dem. Symbolernes advarsler fjerner ikke i sig selv eventuelle farer. De anvisninger og advarsler, de giver ingen erstatninger for ordentlig forebyggelse af ulykker foranstaltninger.

**⚠ ADVARSEL:** Sørg for at læse og forstå alle sikkerhedsanvisninger i denne brugsanvisning, herunder alle sikkerhedssymboler, såsom "FARE", "ADVARSEL" og »FORSIGTIG", før du bruger dette værktøj. Hvis anvisningerne nedenfor ikke følges, kan det føre til elektrisk stød, brand og/eller alvorlig personskade.

DK

## SYMBOLERNES BETYDNING

Denne side viser og beskriver sikkerhedssymboler, der kan være på dette produkt. Læs, forstå, og følg alle anvisningerne på maskinen, før du forsøger at samle og betjene den.

## SIKKERHEDSSYMBOLER



Sikkerhedsadvarsel



Øjenbeskyttelse



FARE - fare på stejle skråninger



Børn må aldrig køre eller sidde på produktet



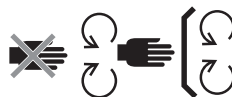
ADVARSEL - Denne maskine må ikke bruges på skråninger, der hælder mere end 12°



ADVARSEL - HOLD HÆNDER OG FØDDER VÆK



Læs og forstå brugsanvisningen



Vedligehold sikkerhedsanordninger



FARE - Hold nærstående personer væk fra klingerne



Kik bagud, når du bakker



FARE - Udslyngede fremmedlegemer



Garanteret lydniveau. I henhold til EU-direktiver.



Træd ikke her



Dette produkt er i overensstemmelse med gældende EU-direktiver



Jævnstrøm (DC)

DK

kPa	Kilopascal
V	Volt
tommer	Tomme
Nm	Newton-måler
°C	Celsius
km/t	Kilometer pr. time



Elektriske affaldsprodukter må ikke bortskaffes sammen med husholdningsaffald. Tag det til en godkendt genbrugsplads.



**FORSIGTIG** - Undgå, at kikke ind i driftslampen.



Dette produkt er i overensstemmelse med lovgivningen i Storbritannien.

O/M

Omdrejninger per minut

m

Meter

cm

Centimeter

mm

Millimeter

kg

Kg

IPX4

Grad af beskyttelse mod indtrængning

## SIKKERHEDSSYMBOLER



Oplysningerne skal noteres



Den angivne handling stopper

## SPECIFIKATIONER

Spænding	56 V	
Dækstørrelse	107 cm	
Hjulstørrelse	Forside	279,4 x 101,6 – 127 mm
	Bagside	457,2 x 241,3 – 203.2 mm
Koldt dæktryk	Forside	222,1 kPa
	Bagside	110,3 kPa
Drejeradius	0	
Klinge-hastighed (RPM)	2400; 2600; 2800; 3000	

Tophastighed	Fremad	4,8 km/t, 8,1 km/t, 9,7 km/t, 11,3 km/t (12,8 km/t på vandringsfunktion)
	Bagud	op til 5,6 km/t
Lader op	Oplader (ekstraudstyr)	CHV1600E
	Adaptor (ekstraudstyr)	ACA1000
	Opladningstemperaturområde	5°C - 40°C
Indstilling af klippehøjde (10 indstillinger)		25 – 100 mm
Driftstemperatur		0°C- 40°C



Opbevaringstemperatur	-20°C - 70°C	
Vægt (uden batteri)	196 kg	
Målt lydeffektniveau $L_{WA}$	96,44 dB(A) K=0,68 dB(A)	
Lydtryk ved brugerens øre $L_{PA}$	84,3 dB(A) K=3,0 dB(A)	
Garanteret lydeffektniveau $L_{WA}$ (målt i henhold til 2000/14 / EF)	100 dB(A)	
Vibration $a_h$	Hånd	1,221 m/s <sup>2</sup> K=1,5 m/s <sup>2</sup>
	Krop	0,568 m/s <sup>2</sup> K=1,5 m/s <sup>2</sup>

- Den samlede erklærede vibrationsværdi er målt i overensstemmelse med en standard testmetoden, og den kan bruges til at sammenligne et værktøj med et andet;
- Den samlede angivne vibrationsværdi kan også bruges ved en foreløbig vurdering af eksponeringen.

**BEMÆRK:** Vibrationsemissionen ved faktisk brug af elværktøjet kan afvige fra den angivne værdi, hvor værktøjet bruges. For at beskytte brugeren, skal brugeren bruge handsker og høreværn i de faktiske brugsforhold.

## ANBEFALET TILBEHØR

**⚠ ADVARSEL:** Brug kun originale reservedele på listen nedenfor. Hvis der bruges dele, der ikke opfylder de oprindelige deles specifikationer, kan det påvirke apparatets ydeevne og sikkerheden.

NAVN PÅ DELEN	MODELNUMMER
Standardklinge	AB4200
Klinge til høj klipning	AB4201
Tildækningsindsats	AMP4200
Græsbeholdersæt	ABK4200-A
Kofanger bagpå	AMB1000

Lastkasse	AMG1000
Solskærm	AMS1000

## BESKRIVELSE

### GØR DIG BEKENDT MED PLÆNEKLIPPEREN (fig. A1)

- Sæde
- Opladningsstik
- Strømenhed
- Baglys
- Opbevaringsrum
- LED sidelys
- Baghjul (trækhjul)
- Skyllehul
- Dæk
- Dækbeskytter
- Anti-skrabe-hjul
- Forhjul
- Parkeringsbremsepedal
- Kørelys til kørsel om dagen
- Forlygter
- Gaspedal
- Fodstøtteområde
- Sideudstødning
- Justeringshåndtag til dækhøjde
- Justeringsknop til sædets affjedring
- Rat
- Højre sidekasse
- Håndtag til justering af sædeplaceringen
- PTO-kontakt
- Start/stop-knap
- Sikkerhedsnøgle
- Plads til opbevaring af telefon
- Kopholdere
- Venstre styrepind
- Plæneklipperens statusindikator

DK

31. LCD-skærm
32. Højre styrepind
33. Justeringsknap til klingehastighed
34. CCS knap
35. Kørefunktion-knap
36. LED-lyskontakt
37. Kørehastighed-justeringsknap
38. Frigivelsesknop til dækslet til strømenheden
39. Dæksel til strømenheden
40. Strømenhed med seks batterirum
41. Knap til frigørelse af batteri
42. Træktøj
43. Dæksel til tilbehørsmontering
44. USB-port

## GØR DIG BEKENDT MED LCD-SKÆRMEN

### (fig. A2)

I afsnittet “**KLIPPESTATUSREFERENCE & FEJLKODE**” kan du finde flere oplysninger om ikonerne og indikatorerne på LCD-skærmen.

1. Omvendt ikon
2. CCS ikon
3. Sikkerhedsnøgle-ikon
4. LED-lysiikon
5. Automatisk parkering-ikon
6. USB-ikon
7. Klingehastighed-indikator
8. Sikkerhedsenhed-statusindikator
9. Timemåler
10. Ikon, der viser at batteriet er i batterirummet
11. Temperatur ikon
12. Ikon, der viser at batteriet ikke er i batterirummet
13. Drift-ikon
14. Fejlkodeindikator
15. Overbelastning-indikator
16. Lav strøm-indikator
17. Energimåler
18. Belastning-indikator

19. Kørehastighed-indikator

## UDPAKNING

**BEMÆRK:** Gem emballagen indtil produktet er blevet set nøje efter og du ved det virker ordentligt. Hvis nogen af delene på listen over dele i pakken sidder på maskinen, bedes du straks kontakte EGO.

**BEMÆRK:** Det er kun værktøjerne på nedenstående liste over dele i pakken, der følger med. Alle andre dele i vejledningerne er blot anbefalede dele.

**BEMÆRK:** Fjern ikke skumklodsen under rattet, før rattet er sat ordentligt på. Vibrationer, når produktet flyttes, kan beskadige rattet.

### LISTE OVER DELE I PAKKEN (FIG. B)

B-1	Zero Turn-havetraktor	B-2	Sæde
B-3	Tildækningsindsats	B-4	Unbrako-skruer (2 til reserve)
B-5	Unbrakonøgle	B-6	Topnøgle
B-7	Skruenøgle	B-8	Sikkerhedsnøgler
B-9	Lynkobling til skyllehul	B-10	Brugervejledning

## SAMLING

### MONTERING AF SÆDET (fig. C1 - C4)

**⚠ ADVARSEL:** Låsesystemet må ikke låses op eller omgås. Hvis dette gøres, kan plæneklipperen køre uventet, hvilket kan føre til personskader.

**BEMÆRK:** Af hensyn til din sikkerhed holder plæneklipperen op med at køre, hvis sædekontakten afbrydes under kørslen. I dette tilfælde bedes du se afsnittet “**FEJLFINDING**” for yderligere oplysninger.

C1-1	Stik	C1-2	Stik
C1-3	Kabel	C2-1	Sædearm
C2-2	Affjedringsbund	C2-3	Unbrakonøgle

C2-4	Unbrako-skruer	C2-5	Håndtag til justering af sædeplaceringen
C3-1	Stålskinner	C3-2	Unbrakonøgle
C3-3	Unbrako-skruer	C4-1	Krog

### MONTERING AF RATET (fig. C5 – C6)

C5-1	Låsebolt	C5-2	Bar
C6-1	Placeringsklods	C6-2	Rille
C6-3	Beskyttelsesenhed til rattet		

### MONTERING AF TILDÆKNINGSINDSATSEN (fig. C7)

C7-1	Sideudstødning	C7-2	Tildækningsindsats
C7-3	Flytbar fjedr		

## JUSTERING

### INDEN JUSTERINGEN (fig. D1)

### JUSTERING AF HØJDEN PÅ KLIPPEDÆKKET (fig. D2)

### JUSTERING AF ANTI-SKRABE-HJULENE (fig. D3 – D6)

D3-1	Anti-skrabe-hjul	D5-1	Møtrik
D5-2	Lug Bolt	D6-1	Dækhøjdemærkat

### JUSTERING AF SÆDET (fig. D7)

D7-1	Håndtag til justering af sædeplaceringen	D7-2	Justeringsknop til sædets affjedring
------	--	------	--------------------------------------

### JUSTERING AF RATET (fig. D8)

D8-1	Låsebolt	D8-2	Bar
D8-3	Placeringsklods	D8-4	Rille

## BETJENING

### FØR BRUG (fig. E1)

### INDSTILLING AF PARKERINGSBREMSEN (fig. E2)

E2-1	Frigivet indstilling	E2-2	Bremset indstilling
------	----------------------	------	---------------------

**BEMÆRK:** Parkeringsbremsepedalen må aldrig bruges til, at bremse hastigheden. Når parkeringspedalen trykkes lidt ned, men ikke helt til parkeringspositionen, stopper plæneklipperen, hvis den kører på en plan overflade. Men på en skråning, kan plæneklipperen glide ned ad skråningen.

DK

### ISÆTTELSE/UDTAGNING AF BATTERIPAKKEN (fig. E3 – E6)

For at starte denne plæneklipper, skal du bruge EGO-batterier på i alt 15 Ah (2 X BA4200T/BA4200T) eller derover. For at opnå den bedste ydelse, anbefales det at bruge EGO-batteri på i alt 30 Ah eller derover.

E3-1	Knap til frigørelse af dækslet	E5-1	Knap til frigørelse af batteri
------	--------------------------------	------	--------------------------------

### OPLADNING AF PLÆNEKLIPPEREN

Brug kun produktet med anbefalede batteripakker og opladere.

- Oplad batteripakken(e) separat (fig. E7)

**BEMÆRK:** Læs mere i vejledningerne til batteriet og opladeren.

- Oplad batteripakken/batterierne via opladningsstikket (fig. E8-E10)

E10-1	Støvhætte	E10-2	Opladningsstik
-------	-----------	-------	----------------

### TEST AF SIKKERHEDSSLÅSESYSTEMET

- Sådan testes dæk-klinge-systemet (fig. E11 – E12)
- Sådan testes køresystemet (fig. E13 – E14)

Hvis dæk-klingesystemet og/eller drivsystemet ikke stopper, når brugeren har rejst sig fra sædet, og hvis årsagen ikke kan findes efter stikforbindelserne til sædet er blevet kontrolleret, bedes du kontakte dit EGO kundeservicecenter øjeblikkeligt.

## TJEKLISTE INDEN BRUG

- Sørg for, at der ikke er nogen børn, personer eller kæledyr i området.
- Ryd arbejdsområdet for genstande, der kan slynges væk af klingerne.
- Fjern skidt på plæneklipperen.
- Kontroller for løse skruer.
- Kontroller, at alle skærmene er på plads og at de virker ordentligt.
- Se, om der er nok af luft i dækkene.
- Se om bremsen virker.
- Juster dækket til klippehøjden, der passer bedst til plænen, og juster anti-skrabe-hjulene i overensstemmelse hermed.
- Juster sædepositionen, og sørg for, at begge pedaler kan nås.
- Indstil om nødvendigt rattet til den ønskede position.
- Sørg for, at batteriet er ladet nok op.
- Test sikkerhedslåsesystemet.

## SÅDAN STARTES PLÆNEKLIPPEREN (fig. E15 – fig. E16)

**⚠ ADVARSEL:** Undgå pludselig start, stop og sving. Kør ikke for hurtigt, især hvis du ikke er bekendt med plæneklipperen. Plæneklipperen kan dreje så skarpt, at du nemt kan miste kontrollen over den, hvilket kan føre til alvorlige personskader og/eller andre skader.

**⚠ ADVARSEL:** Før plæneklipperen startes, skal du sørge for at klingerne ikke er udkoblet inden for 5 sekunder, når PTO-knappen trykkes ned. Hvis klingerne ikke stopper, må plæneklipperen ikke bruges og du bedes straks kontakte EGO kundeservice.

**BEMÆRK:** Følg fig. E17 og fig. E18 for, at sætte plæneklipperen på den laveste kørehastighed og STANDARD kørefunktion, indtil du har lært at bruge plæneklipperen i alle situationer.

Plæneklipperen gemmer og viser den tidligere kørefunktion, kørehastighed og kalibrering af rattet, når den startes igen.

## JUSTERING AF KØREFUNKTIONEN (fig. E17)

- **STYRING:** Lavere acceleration, mindre følsom håndtering og mild drejehastighed, der både beskytter græsset og er god til nye brugere.
- **STANDARD:** Perfekt til hverdagsbrug.
- **SPORT:** Højere acceleration, nøjagtig håndtering og skarp drejning, der maksimerer klippeeffektiviteten og er god til erfarede brugere.

**BEMÆRK:** Kørefunktionen kan ikke justeres under kørsel. Funktionen aktiveres kun, når plæneklipperens hjul stopper.

## Justering af kørehastigheden (fig. E18)

**BEMÆRK:** Når enheden står på "TURBO", og der trykkes på "-", går kørehastigheden tilbage til den forrige funktion.

## Justering af klingehastighed (fig. E19)

### LED-lys

- Forlygterne, sidelygterne og baglygter styres med LED-lyskontakten.
- Kørelyset er altid tændt under kørslen.
- Når du bakker, når baglygterne er slukket, blinker de. Dette er for at advare omkringstående personer. Hvis baglygterne er tændt, forbliver de tændte.
- Alle lys slukkes automatisk, når plæneklipperen automatisk slukker efter en periode uden brug.

### USB-port

**BEMÆRK:** USB-porten oplader med 5V jævnstrøm (DC) og en sammenlagt ampere på 1,5A. Den virker kun, når plæneklipperen er startet

## SÅDAN STOPPES PLÆNEKLIPPEREN (fig. E20)

**BEMÆRK:** Plæneklipperen slukker automatisk efter 60 minutter uden brug.

### Kør hjem-funktion

Når batteriniveauet bliver kritisk lav, går plæneklipperen på Kør hjem-funktionen for, at bevare nok strøm til at køre tilbage til opladningsområdet.

- Klingerne skifter til lav drejehastighed, hvilket kun klipper en smule græs. Når klingerne støder på højt og tæt græs, holder knivene de op med at dreje. Lydindikatoren bipper gentagne gange.

- Plæneklipperens statusindikator blinker rød hvert sekund og, både lav strøm-indikatoren og batterigrafikken på brændstofmåleren blinker.

Brugeren skal:

- Tryk PTO-kontakten nedad for, at slukke for klingemotorerne. Lydindikatoren holder op med at bippe, når klingemotorerne stopper.
- Stop arbejdet og kør til opladningsområdet så hurtigt som muligt. Plæneklipperne kan køre op til 1000 meter.

Hvis batteriet er ved at løbe tør for strøm, blinker ikonet til hver brugt batterikammer og indikatoren for lavt strøm hver halve sekund. Plæneklipperen holder straks op med at køre. Brugeren skal transportere plæneklipperen til opladningsområdet, og oplade plæneklipperen.

**BEMÆRK:** Hvis plæneklipperen skal skubbes manuelt, skal du sørge for, at batterierne er afbrudt og at parkeringsbremsen er frigivet.

## SÅDAN KØRER DU PÅ PLÆNEKLIPPEREN (fig. E21)

**⚠ FARE:** Hold dig mindst to klippebredder væk fra grøfter, fald og vand. Forhjulene kan dreje, når klipperen er stoppet, selv når bremsen bruges. Dette kan få plæneklipperen til, at køre over en kant eller i vandet, hvilket kan være livsfarligt eller føre til alvorlige personskader.

**⚠ ADVARSEL:** Hold øje med hvad der er bag dig, når du bakker. Klip IKKE baglæns, medmindre det er absolut nødvendigt. Kik altid nedad og bagud før og når du bakker for at sikre, at ingen børn, personer eller kæledyr er i klippeområdet. Husk på, at det kan være livsfarligt eller føre til alvorlige skader, hvis du ikke er opmærksom i blot et sekund.

**⚠ ADVARSEL:** Denne maskine må ikke bruges på offentlige veje.

**⚠ ADVARSEL:** Hvis plæneklipperen blokeres, eller du rammer et fremmedlegeme, skal du stoppe motorerne og tage batterierne ud. Fjern græsset, bladene, skidt og andet affald. Se plæneklipperen efter for skader og reparer skaden, før plæneklipperen startes og bruges igen.

## SÅDAN BRUGES FARTPILOTEN (CCS)

Sådan bruges fartpiloten (CCS) under kørsel (fig. E22)

**BEMÆRK:** Kørehastigheden, der står på LCD-skærmen, er muligvis ikke plæneklipperens nøjagtige kørehastighed, når fartpiloten bruges. Tryk på en af hastighedsknapperne (“←” eller “→”) for at “opdatere” og justere kørehastigheden på LCD-skærmen.

**For at afslutte fartpiloten (CCS) og stoppe plæneklipperen,** skal du bruge en af følgende fire fremgangsmåder:

- Træd let på speederen, og slip den.
- Træk venstre/højre styrepind mod brugeren, og slip.
- Tryk på parkeringsbremsepedalen.
- Tryk på CCS-knappen.

**BEMÆRK:** Træd speederen helt i bund for, at komme op på fartpilotens (CCS) aktuelle kørehastighed og fortsæt med at træde ned. Fartpiloten (CCS) stopper, og plæneklipperen fortsætter med at køre med den aktuelle hastighed.

## VEDLIGEHOLDELSE

**⚠ ADVARSEL:** Bær altid beskyttelsesbriller med sidebeskyttelse. Hvis disse ikke bruges, kan du få genstande slynget i øjnene, hvilket kan føre til alvorlige skader.

**⚠ ADVARSEL:** Din hænder skal altid beskyttes med kraftige handsker eller ved at pakke klingen ind i en klud eller anden materiale, hvis klingens skal repareres eller på anden måde vedligeholdes. Sikkerhedsnøglen og batteripakkerne skal altid tages ud, hvis plæneklipperen skal repareres eller transporteres et andet sted hen.

DK

Vedligeholdelse	Vedligeholdelsesprocedure
Før hvert brug eller dagligt	<ul style="list-style-type: none"> <li>▪ Kontroller låsesystemet.</li> <li>▪ Se, om der er nok af luft i dækkene.</li> <li>▪ Undersøg klingerne.</li> <li>▪ Se hele produktet efter for skader, manglende eller løse dele, såsom sideudstødningen, skruer, møtrikker, bolte, hætter osv., og sørg for at alle skærme er på plads og virker ordentligt.</li> <li>▪ Kontroller, at speederpedalen kan trædes helt ned og at den slipper rigtigt.</li> <li>▪ Tjek ratdæmperen. Rattet skal drejes med en vis modstand.</li> </ul>
Efter hvert brug	<ul style="list-style-type: none"> <li>▪ Rengør dækket.</li> </ul>
Efter hver 25. time	<ul style="list-style-type: none"> <li>▪ Kontroller dæktrykket.</li> </ul>
Efter hver 100. time	<ul style="list-style-type: none"> <li>▪ Kontroller baghjulene, og sørg for at alle møtrikker er spændt med det anbefalede drejningsmoment.</li> </ul>
Efter hver 200. time	<ul style="list-style-type: none"> <li>▪ Kontroller forhjulene, og sørg for at de drejer ordentligt.</li> </ul>
Før opbevaring	<ul style="list-style-type: none"> <li>▪ Tag batterierne ud af plæneklipperen.</li> <li>▪ Tag sikkerhedsnøglen ud af plæneklipperen.</li> <li>▪ Gennemgå alle vedligeholdelsesprocedurerne ovenfor, og rengør plæneklipperen grundigt.</li> <li>▪ Undersøg hele produktet for beskadigede, manglende eller løse dele. Og udskift eller stram påvirkede dele før opbevaring.</li> </ul>

Årligt	<ul style="list-style-type: none"> <li>▪ Kontroller parkeringsbremsepedalen. Tag batteriet ud af plæneklipperen, og slå parkeringsbremsepedalen til. Skub plæneklipperen fremad for, at se om den kan flyttes eller ej. Hvis den kan flyttes, skal den ses efter af en kvalificeret servicetekniker.</li> </ul>
--------	---

## GENEREL VEDLIGEHOLDELSE

### Rengøring af plæneklipperens kabinet (fig. F1 - fig. F2)

### Brug af skyllehullet til rengøring af plæneklipperens kabinet (fig. F3 – F4)

F2-1	Skyllehul	F2-2	Lynkobling til skyllehul
F2-3	Haveslange		

**BEMÆRK:** Når du er færdig med rengøringen, skal du slukke plæneklipperen helt og derefter fjerne haveslangen og lynkoblingen.

## VEDLIGEHOLDELSE AF DÆKKET OG KLINGERNE

### FORBEREDELSE (fig. G1)

### Fjernelse af plæneklipperens dæk (fig. G2 – G3)

G2-1	Motorkabel	G2-2	Affjedringsforbindelse
G2-3	Split		

**BEMÆRK:** Afbryd alle motorkabler og splitter, når plæneklipperdækket tages af.

### Skift af skæreklingerne (fig. G4 - G6)

G4-1	Stabilisator	G5-1	Bolt
G5-2	Spændeskive	G5-3	Klinge
G5-4	Flange	G5-5	Motoraksel



### Nivellering af dækket

- a. **Hvornår skal plæneklipperen nivelleres (fig. G7 – G9)**
- b. **Inden nivellering**
  - Kontroller dæktrykket (koldt) (fig. G10)
  - Kontroller klingerne. Fjern og skift nedslidte, revnede og/eller bøjede klinger efter behov.
- c. **Forberedelse til nivellering (fig. G11)**
- d. **Sådan nivelleres dækket**
  - Sådan justeres dækket fra side til side (fig. G12)
  - Sådan justeres dækkets forende og bagende (fig. G13)

### KALIBRERING AF PLÆNEKLIPPERENS SPORINGSSYSTEM (fig. H1 – H2)

**BEMÆRK:** Lydindikatoren bipper en gang, når kalibreringen startes og når den er færdig.

**BEMÆRK:** Den udførte kalibrering af en af kørefunktionerne ("KONTROL", "STANDARD", "SPORT") kan muligvis ikke bruges på de to andre funktioner. Kalibrer rattet på alle kørefunktionerne efter behov.

### NULSTILLING AF PLÆNEKLIPPEREN TIL FABRIKSINDSTILLINGERNE (fig. I)

**BEMÆRK:** Lydindikatoren bipper en gang, når nulstillingen startes og når den er færdig.

**BEMÆRK:** Når nulstillingen udføres, går nedenstående indstillinger tilbage til de oprindelige fabriksindstillinger:

- Kørefunktion
- kørehastighed
- Kalibrering af rattet

## OPBEVARING OG TRANSPORT

### TRANSPORTERING AF PLÆNEKLIPPEREN (fig. J1 - J5)

**BEMÆRK:** Spænd plæneklipperen fast efter behov med stropper eller kabler, så den ikke flytter sig under transport.

### OPBEVARING (fig. K1 – K2)

**BEMÆRK:** Tag batteripakkerne ud og se, hvordan de skal opbevares i deres vejledninger.

Rengør og kontroller plæneklipperen inden opbevaring og se vejledningerne i "**SÅDAN RENGØRES PLÆNEKLIPPEREN**" og "**ANBEFALEDE VEDLIGEHOLDELSPLANER**".

### Miljøbeskyttelse



WEEE (Waste Electrical and Electronic Equipment) Elektrisk udstyr, batterioplader og batterier må ikke smides ud sammen med almindelig husholdningsaffald! Tag dette produkt til en autoriseret genbrugsplads, og sørg for at det sendes til genbrug. Elektriske værktøjer skal returneres til et miljøkompatibelt genvindingsanlæg.

DK



## FEJLFINDING

DK

PROBLEM	ÅRSAG	LØSNING
Zero turn-havetraktoren kører ikke, når gaspedalen trædes ned.	<ul style="list-style-type: none"> <li>Den samlede Ah-værdi på batterierne, der er sat i, er ikke nok.</li> </ul>	<ul style="list-style-type: none"> <li>For at starte plæneklipperen, skal du sørge for, at der er nok EGO-batterier i plæneklipperen ved, at følge instruktionerne i afsnittet »<b>MONTERING/ AFMONTERING AF BATTERIPAKKEN</b>« i denne vejledning.</li> </ul>
	<ul style="list-style-type: none"> <li>Parkeringspedalen er slået til.</li> </ul>	<ul style="list-style-type: none"> <li>Træd parkeringspedalen helt ned for, at frigøre den.</li> </ul>
	<ul style="list-style-type: none"> <li>Både venstre og højre styrepind trækkes ikke mod brugeren for, at få plæneklipperens statusindikator til at lyse grøn, når plæneklipperen startes.</li> </ul>	<ul style="list-style-type: none"> <li>Træk <b>BÅDE</b> i venstre og højre styrepind mod brugeren på samme tid, hvorefter de skal slippes. Plæneklipperens statusindikator lyser grøn, hvilket betyder, at plæneklipperen er klar til at starte.</li> </ul>
	<ul style="list-style-type: none"> <li>Brugeren sidder ikke på sædet.</li> </ul>	<ul style="list-style-type: none"> <li>Plæneklipperen kan kun bruges, når brugeren sidder helt op sædet.</li> </ul>
	<ul style="list-style-type: none"> <li>Sædekontakten er ikke ordentligt tilsluttet.</li> </ul>	<ul style="list-style-type: none"> <li>Tag batteriet ud af plæneklipperen, og tag sædet af, hvilket gøres ved at følge instruktionerne i afsnittet "<b>MONTERING AF SÆDET</b>" i omvendt rækkefølge, så du sikre, at kabelstikket er sluttet ordentligt til stikkontakten på bunden af sædet. Sæt sædet på igen, og følg instruktionerne i afsnittet "<b>SÅDAN STARTES PLÆNEKLIPPEREN</b>" for at starte plæneklipperen igen for at se, om plæneklipperen kan startes. Hvis ikke, bedes du kontakte en kvalificeret servicetekniker for reparation.</li> </ul>
	<ul style="list-style-type: none"> <li>I meget koldt vejr starter kørefunktionen muligvis ikke på grund af beskyttelsesfunktionen mod lave temperaturer.</li> </ul>	<ul style="list-style-type: none"> <li>Plæneklipperen og batteriet skal altid opbevares i varme omgivelser. Start plæneklipperen igen, når den har varmet op. Undlad at gøre gentagne forsøg i meget koldt vejr, da dette kan beskadige maskinen.</li> </ul>
	<ul style="list-style-type: none"> <li>Gaspedalens kørebane er tilstoppet med skidt.</li> </ul>	<ul style="list-style-type: none"> <li>Tjek og fjern affaldet.</li> </ul>
	<ul style="list-style-type: none"> <li>Fejl i gaspedalens mekaniske eller elektroniske komponenter.</li> </ul>	<ul style="list-style-type: none"> <li>Kontakt en kvalificeret servicetekniker for reparation.</li> </ul>

PROBLEM	ÅRSAG	LØSNING
Zero turn-havetraktoren holder op med at køre.	<ul style="list-style-type: none"> <li>Venstre/Højre styrepind skal "nulstilles".</li> </ul>	<ul style="list-style-type: none"> <li>Træk venstre/højre styrepind mod brugeren og slip dem. Når statusindikatoren lyser grøn, er plæneklipperen klar til at køre.</li> </ul>
	<ul style="list-style-type: none"> <li>Fejl i gaspedalens elektroniske komponenter.</li> </ul>	<ul style="list-style-type: none"> <li>Kontakt en kvalificeret servicetekniker for reparation.</li> </ul>
	<ul style="list-style-type: none"> <li>Sædekontaktens låsesystem blev afbrudt under kørsel i ujævnt terræn.</li> </ul>	<ul style="list-style-type: none"> <li>Tag batteriet ud af plæneklipperen, og tag sædet af, hvilket gøres ved at følge instruktionerne i afsnittet "<b>MONTERING AF SÆDET</b>" i omvendt rækkefølge, så du sikrer, at kabelstikket er sluttet ordentligt til stikkontakten på bunden af sædet. Sæt sædet på igen, og følg instruktionerne i afsnittet "<b>SÅDAN STARTES PLÆNEKLIPPEREN</b>" for at starte plæneklipperen igen for at se, om plæneklipperen kan startes. Hvis ikke, bedes du kontakte en kvalificeret servicetekniker for reparation.</li> </ul>
	<ul style="list-style-type: none"> <li>Førerens vægt er ikke jævnt fordelt på sædet. Førerens vægt på sædet skal være mindst 20 kg for, at sædets sikkerhedslåsesystem kan virke ordentligt</li> </ul>	<ul style="list-style-type: none"> <li>Sæt dig ordentligt på sædet, træk venstre/højre eller begge styrepinde mod brugeren og slip dem, hvorefter plæneklipperen er klar til kørsel.</li> </ul>
	<ul style="list-style-type: none"> <li>Parkeringsbremsepedalen skal trædes ned for at sænke kørehastigheden. Når parkeringsbremsepedalen trædes nok ned, men ikke til parkeringspositionen, stopper plæneklipperen.</li> </ul>	<ul style="list-style-type: none"> <li>Tag batteripakken ud og sæt den i igen, hvis nødvendigt.</li> </ul>
Kørefunktionen kan ikke justeres under kørsel.	<ul style="list-style-type: none"> <li>Dette er en sikkerhedsfunktion på zero turn-havetraktoren, som gør den sikker at køre på.</li> </ul>	<ul style="list-style-type: none"> <li>Følg instruktionerne i "<b>SÅDAN STARTES PLÆNEKLIPPEREN</b>" for at starte plæneklipperen igen.</li> </ul>
		<ul style="list-style-type: none"> <li>Funktionen aktiveres kun, når plæneklipperens hjul stopper.</li> </ul>

**DK**

Zero turn-havetraktoren starter ikke klingerne, når PTO-kontakten slås til.



Ikonet til PTO-kontakten blinker

PROBLEM	ÅRSAG	LØSNING
<p>Zero turn-havetraktoren starter ikke klingerne, når PTO-kontakten slås til.</p> <p>Ikonet til PTO-kontakten blinker</p>	<ul style="list-style-type: none"> <li>Den samlede Ah-værdi på batterierne, der er sat i, er ikke nok.</li> </ul>	<ul style="list-style-type: none"> <li>For at starte plæneklipperen, skal du sørge for, at der er nok EGO-batterier i plæneklipperen ved, at følge instruktionerne i afsnittet »<b>MONTERING/ AFMONTERING AF BATTERIPAKKEN</b>« i denne vejledning.</li> </ul>
	<ul style="list-style-type: none"> <li>PTO-kontakten blev ikke trykket ned sidste gang plæneklipperen blev slukket.</li> </ul>	<ul style="list-style-type: none"> <li>Tryk PTO-kontakten ned og op for, at starte klingemotorerne igen.</li> </ul>
	<ul style="list-style-type: none"> <li>Plæneklipperen overbelastes, når klingerne begynder at dreje, hvilket udløser motorens beskyttelsesfunktion.</li> </ul>	<ul style="list-style-type: none"> <li>Start først plæneklipperen på en lavere klinge-hastighed, og accelerer ikke klinge-hastigheden, før klinger drejer rundt.</li> </ul>
	<ul style="list-style-type: none"> <li>I meget koldt vejr starter klingemotoren muligvis ikke på grund af beskyttelsesfunktionen mod lave temperaturer.</li> </ul>	<ul style="list-style-type: none"> <li>Plæneklipperen og batteriet skal altid opbevares i varme omgivelser. Start plæneklipperen igen, når den har varmet op. Undlad at gøre gentagne forsøg i meget koldt vejr, da dette kan beskadige maskinen.</li> </ul>
	<ul style="list-style-type: none"> <li>Klingen rammer et deformerede dæk</li> </ul>	<ul style="list-style-type: none"> <li>Kontakt EGO's kundeservicecenter.</li> </ul>
	<ul style="list-style-type: none"> <li>Plæneklipperen kører med "VANDRE"-hastighed.</li> </ul>	<ul style="list-style-type: none"> <li>Når plæneklipperen kører med "VANDRE"-hastighed, stopper klingemotorerne automatisk.</li> </ul>

PROBLEM	ÅRSAG	LØSNING
Klangerne holder op med at virke, når græsset klippes.	<ul style="list-style-type: none"> <li>Plæneklipperen er overbelastet.</li> </ul>	<ul style="list-style-type: none"> <li>Hæv dækkets klippehøjde, eller sænk kørehastigheden, så plæneklipperen ikke belastes så meget.</li> </ul>
	<ul style="list-style-type: none"> <li>Dækket er tilstoppet med græs og snavs.</li> </ul>	<ul style="list-style-type: none"> <li>Rengør dækket, og sørg for at klingen kan dreje rundt uden modstand.</li> </ul>
	<ul style="list-style-type: none"> <li>Plæneklipperen er overophedet.</li> </ul>	<ul style="list-style-type: none"> <li>Reducer plæneklipperens belastning ved at hæve klippehøjden på dækket, eller sænk klinge- eller kørehastigheden og lad plæneklipperen køle af.</li> </ul>
	<ul style="list-style-type: none"> <li>Batteripakkerne i plæneklipperens batterikammer er overophedet, hvilket gør at alle de indsatte batteriers samlede Ah-værdi ikke møder kravene.</li> </ul>	<ol style="list-style-type: none"> <li>Plæneklipperen kan fortsætte med at køre, hvis batteriernes samlede Ah-værdi, herunder det overophedede batteri, er lig med eller over den påkrævede mængde. Når det overophedede batteri er tilbage på sin normale temperatur, går det straks i gang med at tænde plæneklipperen.</li> </ol>
		<ol style="list-style-type: none"> <li>Hvis batteripakkernes samlede Ah-værdi ikke møder kravene, virker plæneklipperen ikke, før der sættes flere batteripakker i de ledige batterikamre.</li> </ol>
		<ol style="list-style-type: none"> <li>Reducer plæneklipperens belastning ved at hæve klippehøjden på dækket eller bremse plæneklipperen, når arbejdet genoptages.</li> </ol>
	<ul style="list-style-type: none"> <li>Plæneklipperen er på Kør hjem-funktionen.</li> </ul>	<ul style="list-style-type: none"> <li>Når plæneklipperen er på Kør hjem-funktionen, begynder klangerne automatisk at køre langsomt. Brugeren skal stoppe arbejdet og køre til batteriopladningsområdet så hurtigt, som muligt.</li> </ul>
	<ul style="list-style-type: none"> <li>Plæneklipperen bliver ramt af et fremmedlegeme, hvilket gør at motorens beskyttelsesfunktion udløses.</li> </ul>	<ul style="list-style-type: none"> <li>Tryk PTO-kontakten ned og op for, at starte klingemotorerne igen.</li> </ul>
<ul style="list-style-type: none"> <li>Plæneklipperens hastighed er sat på indstillingen "REJSE".</li> </ul>	<ul style="list-style-type: none"> <li>Når plæneklipperens hastighed står på "REJSE", stopper klingemotorerne automatisk.</li> </ul>	

**DK**

PROBLEM	ÅRSAG	LØSNING
Lydindikatoren fortsætter med at lyde.	<ul style="list-style-type: none"> <li>Plæneklipperen er på Kør hjem-funktionen, og klingerne slås ikke fra.</li> </ul>	<ul style="list-style-type: none"> <li>Tryk PTO-kontakten ned for, at slukke for klingemotorerne. Lydindikatoren holder op med at lyde, når klingemotorerne slukkes.</li> </ul>
	<ul style="list-style-type: none"> <li>Plæneklipperen holder op med at køre på en skråning, og føreren rejser sig fra sædet, uden at slå parkeringsbremsepedalen til.</li> </ul>	<ul style="list-style-type: none"> <li>Slå parkeringsbremsepedalen til, før du forlader plæneklipperen på en skråning.</li> </ul>
Batteri-indikatorerne lyser stadig, selv når plæneklipperen er slukket.	<ul style="list-style-type: none"> <li>Hvis plæneklipperen stoppes og batteripakkerne ikke tages ud af plæneklipperen, lyser batteri-indikatorerne, start/stop-knappen og CCS-knappen i en periode.</li> </ul>	<ul style="list-style-type: none"> <li>Du skal ikke gøre noget. Batteriindikatorerne slukker, når plæneklipperen slukker efter en periode. Se afsnittet «<b>SÅDAN STOPPES PLÆNEKLIPPEREN</b>» i en bestemt tid.</li> </ul>
	<ul style="list-style-type: none"> <li>Hvis plæneklipperen slukkes på en skråning og parkeringsbremsepedalen ikke slås til, forsætter batteriindikatorerne med at lyse, indtil batterierne er afladet. Lydindikatoren bliver ved med at bippe på samme tid.</li> </ul>	<ul style="list-style-type: none"> <li>Slå parkeringsbremsepedalen til, før du forlader plæneklipperen på en skråning.</li> </ul>
LCD-skærmen lyser ikke med alle ikonerne tændt.	<ul style="list-style-type: none"> <li>Start/stop-knappen holdes ikke nede i lang tid nok.</li> </ul>	<ul style="list-style-type: none"> <li>LCD-skærmen viser kun "brændstofmåleren", når der trykkes på start/stop-knappen.</li> </ul>
		<ul style="list-style-type: none"> <li>LCD-skærmen tænder, når start/stop-knappen holdes nede i lang tid nok.</li> </ul>
Plæneklipperen klipper ujævnt, men stor højdeforskel på for- og bagenden.	<ul style="list-style-type: none"> <li>Klingerne er sløve.</li> </ul>	<ul style="list-style-type: none"> <li>Slib eller skift klingens som beskrevet i denne vejledning.</li> </ul>
	<ul style="list-style-type: none"> <li>Klingerne er bøjede.</li> </ul>	<ul style="list-style-type: none"> <li>Udskift den bøjede klinge, som beskrevet i afsnittet "<b>SKIFT AF KLINGERNE</b>".</li> </ul>
	<ul style="list-style-type: none"> <li>Dækket er ikke plan, så klippehøjden er ujævn.</li> </ul>	<ul style="list-style-type: none"> <li>Niveller dækket ved, at følge instruktionerne i afsnittet "<b>NIVELLERING AF DÆKKET</b>".</li> </ul>

DK

PROBLEM	ÅRSAG	LØSNING
Klippehøjden passer ikke med den indstillede klippehøjde.	<ul style="list-style-type: none"> <li>Møtrikkerne på dækket har løsnet sig på affjedringsforbindelsen</li> </ul>	<ul style="list-style-type: none"> <li>Følg instruktionerne i afsnittet »<b>NIVELLERING AF DÆKKET</b>« for, at justere dækkets forende til bagende og spænd de fire møtrikker på affjedringsforbindelsen.</li> </ul>
	<ul style="list-style-type: none"> <li>Dækket er beskadiget eller meget nedslidt.</li> </ul>	<ul style="list-style-type: none"> <li>Følg instruktionerne i afsnittet "<b>FJERNELSE AF DÆKKET</b>" for, at skifte dækket.</li> </ul>
Plæneklipperen klipper ikke græsset ordentligt.	<ul style="list-style-type: none"> <li>En samling af vådt græs sidder fast på undersiden af dækket.</li> </ul>	<ul style="list-style-type: none"> <li>Vent med at slå græsset indtil det er tørt.</li> </ul>
	<ul style="list-style-type: none"> <li>Plæneklipperen er indstillet til at klippe for meget græs på én gang.</li> </ul>	<ul style="list-style-type: none"> <li>Hæv dækkets klippehøjde.</li> </ul>
Overdreven vibration.	<ul style="list-style-type: none"> <li>Klingerne sidder løse.</li> </ul>	<ul style="list-style-type: none"> <li>Spænd klingeboltten til det anbefalede drejningsmoment.</li> </ul>
	<ul style="list-style-type: none"> <li>Klingerne er bøjede.</li> </ul>	<ul style="list-style-type: none"> <li>Udskift den bøjede klinge, som beskrevet i afsnittet "<b>SKIFT AF KLINGERNE</b>".</li> </ul>
	<ul style="list-style-type: none"> <li>Dækket er ikke plant.</li> </ul>	<ul style="list-style-type: none"> <li>Niveller dækket ved, at følge instruktionerne i afsnittet "<b>NIVELLERING AF DÆKKET</b>".</li> </ul>
	<ul style="list-style-type: none"> <li>Møtrikkerne på dækket har løsnet sig på affjedringsforbindelsen.</li> </ul>	<ul style="list-style-type: none"> <li>Spænd møtrikkerne på ophænget.</li> </ul>
	<ul style="list-style-type: none"> <li>Plæneklipperen er indstillet til at klippe for meget græs på én gang.</li> </ul>	<ul style="list-style-type: none"> <li>Hæv dækkets klippehøjde.</li> </ul>
Der er græs eller skidt, der bliver på græsset efter det er blevet klippet.	<ul style="list-style-type: none"> <li>Plæneklipperen er indstillet til at klippe for meget græs på én gang på højt græs.</li> </ul>	<ul style="list-style-type: none"> <li>Start med en høj klippehøjde, og sænk den løbende, indtil det ønskede klipperesultat er nået. Græs over 152 mm højt skal slås to gange med lavere klippehøjde hver gang.</li> </ul>
	<ul style="list-style-type: none"> <li>Græsset er vådt.</li> </ul>	<ul style="list-style-type: none"> <li>Græsset må ikke klippes når det er vådt. Vent indtil det er tørt.</li> </ul>
	<ul style="list-style-type: none"> <li>Du kører for hurtigt med plæneklipperen.</li> </ul>	<ul style="list-style-type: none"> <li>Sænk kørehastigheden.</li> </ul>
	<ul style="list-style-type: none"> <li>Klinge-hastigheden er lav.</li> </ul>	<ul style="list-style-type: none"> <li>Forøg klinge-hastigheden gradvist.</li> </ul>

**DK**

PROBLEM	ÅRSAG	LØSNING
Plæneklipperens køretid er kort med batterierne i.	<ul style="list-style-type: none"> <li>Græsplænenes terræn, græsforhold, klippehøjdeindstilling, kørehastighed, klingehastighed osv. påvirker i høj grad køretiden.</li> </ul>	<ul style="list-style-type: none"> <li>Hæv klippehøjden, og sænk klingehastigheden, så plæneklipperen belastes mindre.</li> </ul>
DK Plæneklipperen sporer ikke lige.	<ul style="list-style-type: none"> <li>Dæktrykket i venstre og højre baghjul er ikke ens.</li> </ul>	<ul style="list-style-type: none"> <li>Kontroller og juster lufttrykket i begge baghjulsdæk, som beskrevet i afsnittet "<b>SPECIFIKATIONER</b>".</li> </ul>
	<ul style="list-style-type: none"> <li>Kørehastighederne på venstre og højre baghjul er ikke ens.</li> </ul>	<ul style="list-style-type: none"> <li>Kalibrer rattet, som beskrevet i afsnittet "<b>KALIBRERING AF PLÆNEKLIPPERENS SPORINGSSYSTEM</b>".</li> </ul>
Parkeringsbremsepedalen kan ikke frigives eller den springer langsom tilbage.	<ul style="list-style-type: none"> <li>Der kan komme skidt og snavs ind i parkeringsbremsepedalen.</li> </ul>	<ul style="list-style-type: none"> <li>Åbn boksen til parkeringsbremsepedalen, rengør den grundigt og luk den. Nulstil parkeringsbremsepedalen for at se, om dette løser problemet. Hvis ikke, bedes du kontakte en kvalificeret servicetekniker for reparation.</li> </ul>
Plæneklipperen kan ikke oplades via opladningsstikket, mens plæneklipperens statusindikator lyser rødt.	<ul style="list-style-type: none"> <li>Opladerens stik er ikke sat ordentligt i laderen på plæneklipperen.</li> </ul>	<ul style="list-style-type: none"> <li>Tilslut opladerstikket igen for at se, om plæneklipperen kan oplades normalt.</li> </ul>
	<ul style="list-style-type: none"> <li>Der er ingen strøm i stikkontakterne.</li> </ul>	<ul style="list-style-type: none"> <li>Du skal ikke gøre noget. Vent, indtil strømmen kommer tilbage.</li> </ul>
	<ul style="list-style-type: none"> <li>Opladeren virker ikke.</li> </ul>	<ul style="list-style-type: none"> <li>Ring til EGO's kundeservice, hvis dit produkt skal til eftersyn, eller hvis opladeren skal repareres.</li> </ul>
	<ul style="list-style-type: none"> <li>Opladerstikket på plæneklipperen er defekt.</li> </ul>	<ul style="list-style-type: none"> <li>Kontakt EGO's kundeservicecenter.</li> </ul>
Det tager for lang tid, at oplade plæneklipperen via opladningsstikket.	<ul style="list-style-type: none"> <li>Opladningen tager lang tid, når en EGO-adapter ACA1000 bruges.</li> </ul>	<ul style="list-style-type: none"> <li>Brug EGO-opladeren CHV1600E til direkte opladning af din zero turn-havetraktor.</li> </ul>
Batteriet kan ikke lades helt op via plæneklipperens opladningsport.	<ul style="list-style-type: none"> <li>Firmwarefejl på plæneklipperen, eller batteriet eller opladeren virker ikke.</li> </ul>	<ul style="list-style-type: none"> <li>Nulstil opladeren ved at trække stikket ud og vente i mindst et par minutter. Sæt derefter stikket i strømforsyningen igen. Hvis dette ikke løser problemet, skal du ringe til EGO's kundeservice.</li> </ul>
Plæneklipperen kan ikke startes efter rengøring.	<ul style="list-style-type: none"> <li>Forkert rengøring, såsom vand, der kommer på de elektriske komponenter, LCD-skærm osv.</li> </ul>	<ul style="list-style-type: none"> <li>Du kan se, hvordan plæneklipperen skal rengøres i afsnittet "<b>GENEREL VEDLIGEHOLDELSE</b>".</li> </ul>
		<ul style="list-style-type: none"> <li>Hvis plæneklipperen ved et uheld har stået i regnen, skal du lade stå og lufttørre, eller tør den med trykluft.</li> </ul>



PROBLEM	ÅRSAG	LØSNING
Plæneklipperdækket bliver hurtigt tilstoppet.	<ul style="list-style-type: none"> <li>Plæneklipperen blev ikke rengjort ordentligt efter brug.</li> </ul>	<ul style="list-style-type: none"> <li>Rengør dækket efter hver brug i henhold til instruktionerne i afsnittet "<b>BRUG AF SKYLLEHULLET TIL AT RENGØRE DÆKKET</b>".</li> </ul>
Plæneklipperen mister let sin trækraft, når den kører op ad skråninger.	<ul style="list-style-type: none"> <li>Dækkene på baghjulene er slidt ned.</li> </ul>	<ul style="list-style-type: none"> <li>Skift dækkene hos et lokalt servicecenter.</li> </ul>
	<ul style="list-style-type: none"> <li>Der slås græs på en stejl skråning.</li> </ul>	<ul style="list-style-type: none"> <li>Plæneklipperen må ikke bruges til at klippe på skråninger, der hælder mere end den angivne hældning.</li> </ul>
Når plæneklipperen er stoppet på en skråning med parkeringsbremsepedalen slået til, kan den stadig glide nedad skråningen.	<ul style="list-style-type: none"> <li>Bremsedelene er for slidte på grund af forkert brug af plæneklipperen.</li> </ul>	<ul style="list-style-type: none"> <li>Ring til EGO's kundeservice for reparation.</li> </ul>
Der kommer ikke vand ud af skyllehullet, når du forsøger at vaske dækket.	<ul style="list-style-type: none"> <li>Hurtigkoblingen til skyllehullet er ikke sat rigtigt på skyllehullet.</li> </ul>	<ul style="list-style-type: none"> <li>Tryk lynkoblingen i skyllehullet igen, indtil du hører et klik. Hvis dette ikke virker, skal du ringe til EGO's kundeservice.</li> </ul>
En unormal lyd høres, når du skubber plæneklipperen manuelt uden at starte den.	<ul style="list-style-type: none"> <li>Lyden kommer fra magneterne i drivmotoren.</li> </ul>	<ul style="list-style-type: none"> <li>Dette er normalt og du skal ikke gøre noget.</li> </ul>
Rattet kan ikke drejes.	<ul style="list-style-type: none"> <li>Ratsamlingen er tilstoppet med skidt.</li> </ul>	<ul style="list-style-type: none"> <li>Tjek og fjern affaldet.</li> </ul>
Plæneklipperen drejer ikke til venstre/højre, når rattet drejes.	<ul style="list-style-type: none"> <li>Fejl i elektroniske eller mekaniske komponenter.</li> </ul>	<ul style="list-style-type: none"> <li>Ring til EGO's kundeservice for reparation.</li> </ul>
Plæneklipperen stopper ikke, når gaspedalen slippes.	<ul style="list-style-type: none"> <li>Gaspedalens returvej er tilstoppet med skidt.</li> </ul>	<ul style="list-style-type: none"> <li>Tjek og fjern affaldet.</li> </ul>
	<ul style="list-style-type: none"> <li>Fartpilot-knappen (CCS) trykkes ned ved et uheld under kørslen. Plæneklipperen er på fartpiloten (CCS)</li> </ul>	<ul style="list-style-type: none"> <li>Se, om fartpilot-ikonet (CCS) lyser på LCD-skærmen, og afslut fartpiloten (CCS) efter behov. Se kapitlet "<b>BRUG AF FARTPILOTEN (CCS)</b>".</li> </ul>
Fartpiloten (CCS) kan ikke slås til eller fra.	<ul style="list-style-type: none"> <li>Fartpilot-knappen (CCS) er ikke trykket rigtigt ned.</li> </ul>	<ul style="list-style-type: none"> <li>Tryk på fartpilot-knappen (CCS), indtil fartpilot-ikonet (CCS) lyser eller forsvinder på LCD-skærmen.</li> </ul>

**DK**

PROBLEM	ÅRSAG	LØSNING
DK Plæneklipperen kører ikke baglæns, når venstre/højre styrepind trækkes mod brugeren.	<ul style="list-style-type: none"><li>Plæneklipperens statusindikator lyser ikke grøn, og plæneklipperen er ikke klar til at køre.</li></ul>	<ul style="list-style-type: none"><li>Følg instruktionerne i afsnittet "SÅDAN STARTES PLÆNEKLIPPEREN", så plæneklipperens statusindikator lyser grøn, og plæneklipperen er klar til at køre.</li></ul>
	<ul style="list-style-type: none"><li>Venstre/højre styrepind trækkes ikke rigtigt mod brugeren.</li></ul>	<ul style="list-style-type: none"><li>Træk venstre eller højre eller begge styrepinde mod brugeren på samme tid, indtil der høres et "klik".</li></ul>
	<ul style="list-style-type: none"><li>Venstre/højre styrepind holdes ikke trukket mod brugeren.</li></ul>	<ul style="list-style-type: none"><li>For at køre baglæns, skal mindst en af styrepindene holdes trukket mod brugeren.</li></ul>
	<ul style="list-style-type: none"><li>Venstre/højre styrepind er i stykker.</li></ul>	<ul style="list-style-type: none"><li>Kontakt en kvalificeret servicetekniker for reparation.</li></ul>

## KLIPPESTATUSREFERENCE & FEJLKODE

LCD-skærm	Beskrivelse	Fejlkode på LCD-skærmen	Plæneklipperens statusindikator	Bipper	Årsag	Løsning
	Ikonet til lygterne vises på LCD-skærmen.	Ikke relevant	LYSER IKKE	Nej	Forlygterne, sidelygterne og baglygter tændes på LED-lyskontakten.	Dette er normalt. Du skal ikke gøre noget.
	USB-ikonet vises på LCD-skærmen.	Ikke relevant	LYSER IKKE	Nej	Hvis USB-ikonet lyser, betyder det at en USB-enhed kan bruges, når plæneklipperen er startet korrekt.	Dette er normalt. Du skal ikke gøre noget.
	Ikonet til brændstofmåleren vises på LCD-skærmen.	Ikke relevant	LYSER IKKE	Nej	Den angiver den gennemsnitlige opladningskapacitet på batterierne, der er sat i.	Dette er normalt. Du skal ikke gøre noget.
	Ikonet til timetælleren vises på LCD-skærmen.	Ikke relevant	LYSER IKKE	Nej	Den viser plæneklipperens samlede køretid i timer. Den kan ikke nulstilles.	Dette er normalt. Du skal ikke gøre noget.
	Ikonet for belastningen vises i ECO-området	Ikke relevant	LYSER IKKE	Nej	Den viser plæneklipperens aktuelle belastning.	Dette er normalt. Du skal ikke gøre noget.
	Omvendt ikon vises på LCD-skærmen.	Ikke relevant	LYSER IKKE	Nej	Den viser, at plæneklipperen kører baglæns.	Dette er normalt. Du skal ikke gøre noget.
	Sikkerhedsnøgle-ikonet blinker.	Ikke relevant	LYSER IKKE	Nej	Sikkerhedsnøglen er ikke sat i.	Sæt sikkerhedsnøglen i, og hold START/STOP-knappen nede for, at tænde plæneklipperen.
					Nøglekassen er gået i stykker.	Få den repareret af en kvalificeret servicetekniker.

**DK**

LCD-skærm	Beskrivelse	Fejlkode på LCD-skærmen	Plæneklipperens statusindikator	Bipper	Årsag	Løsning
	Ikonet for et bestemt batterikammer blinker.	Ikke relevant	LYSER IKKE	Nej	Et af batterierne er overophedet.	Du skal ikke gøre noget. Plæneklipperen kan fortsætte med at køre, hvis batteriernes samlede Ah-værdi, undtagen et overstrømsbatteri, er lig med eller over den påkrævede mængde. Når det overophedede batteri får en normal temperatur igen, strømforsyner det igen plæneklipperen, og ikonet forsvinder.
	Ikonet til et tomt batterikammer blinker	Ikke relevant	LYSER IKKE	Nej	Der er ikke nok batteri til, at havetraktoren kan køre.	For at starte plæneklipperen, skal du sørge for, at der er nok EGO-batterier i plæneklipperen ved, at følge instruktionerne i afsnittet » <b>MONTERING/AFMONTERING AF BATTERIPAKKEN</b> « i denne vejledning.
	Overbelastningsindikatoren blinker	Ikke relevant	Blinker rød	En biplyd	Klingemotoren er overbelastet.	Hæv dækkets klippehøjde, eller sænk kørehastigheden, så plæneklipperen ikke belastes så meget.
					Sideudstødningen er tilstoppet med græs og affald.	Rengør altid sideudstødningen efter brug.
					Noget er stilstopet mellem klingens og plæneklipperdækket.	Kontakt EGO's kundeservicecenter

LCD-skærm	Beskrivelse	Fejlko- de på LCD-skær- men	Plæne- klipperens statusindi- kator	Bipper	Årsag	Løsning
	Temperaturikonet blinker.	Ikke relevant	LYSER IKKE	En biplyd	Plæneklipperen er overophedet.	Reducer plæneklipperens belastning ved at hæve klippehøjden på dækket, eller sænk klinge- eller kørehastigheden. Tag en pause og lad plæneklipperen køle af.
					Plæneklipperen er for kold.	Undgå, at gøre dette gentagne gange, da dette kan beskadige maskinen. Plæneklipperen og batterierne skal altid opbevares i varme omgivelser. Start plæneklipperen igen, når den har varmet op.
	Temperatur-ikonet og batterikammerne, der er i brug, blinker på samme tid.	Ikke relevant	LYSER IKKE	Nej	Batteripakken i den tilsvarende. Det nummereret batterikammer er overophedet.	1. Plæneklipperen kan fortsætte med at køre, hvis batteriernes samlede Ah-værdi, herunder det overophedede batteri, er lig med eller over den påkrævede mængde. Når det overophedede batteri er tilbage på sin normale temperatur, går det straks i gang med at tænde plæneklipperen.
						2. Hvis batteripakkernes samlede Ah-værdi er under den påkrævede mængde, virker plæneklipperen ikke, før der sættes flere batteripakker i de ledige batterikamre.
						3. Reducer plæneklipperens belastning ved at hæve klippehøjden på dækket eller bremse plæneklipperen, når arbejdet genoptages.

**DK**

LCD-skærm	Beskrivelse	Fejlko- de på LCD-skær- men	Plæne- klipperens statusindi- kator	Bipper	Årsag	Løsning
	Ikonerne for hvert brugt batterikammer, indikatoren for lavt strømniveau og energimåleren blinker alle én gang i sekundet på LCD-skærmen. Den første LED-brændstofmåler og klippestatusindikatoren blinker også.	Ikke relevant	Blinker rød	Bliver ved med at bippe indtil PTO-kontakten trykkes ned.	Batteriniveaulet er lavt og plæneklipperen er på Kør hjem-funktionen.	Stop driften og kør til batteriopladningsområdet. <b>BEMÆRK:</b> Når plæneklipperen er på Kør hjem-funktionen, begynder klingerne automatisk at køre langsomt, og en lydindikator bipper. Brugeren skal trykke PTO-kontakten nedad for, at slukke for klingemotorerne. Lydindikatoren holder op med at bippe, når klingerne stopper.
	Ikonet for hvert brugt batterikammer og lavstrømsindikator blinker hvert halve sekund, og den første LED-brændstofmåler blinker rød hver halve sekund.	Ikke relevant	Blinker rød	Bliver ved med at bippe	Batteripakkerne er næsten brugt op.	Plæneklipperen holder straks op med at køre. Brugeren skal køre plæneklipperen til batteriopladningsområdet og sætte den til opladning.
	Automatisk parkering-ikonet blinker på LCD-skærmen.	Ikke relevant	LYSER IKKE	Bliver ved med at bippe	Plæneklipperen er parkeret på en skråning, og brugeren har forladt plæneklipperen uden, at slå parkeringsbremsepedalen til.	Slå bremsepedalen til. Ikonet for automatisk parkering slukker, og lydindikatoren holder op med at bippe.
	Bremsepedalikonet vises på LCD-skærmen	Ikke relevant	LYSER IKKE	Nej	Parkeringspedalen er slået til.	Frigiv den før plæneklipperen startes.

**BEMÆRK:** Hvis en fejlkode vises på LCD-skærmen, skal du tage alle batteripakkerne, vent et par minutter og sæt dem i igen. Hvis dette ikke løser problemet, skal du følge fejlkoden nedenfor.

LCD-skærm	Beskrivelse	Fejlkode på LCD-skærmen	Plæneklipperens statusindikator	Bipper	Årsag	Løsning
	Sædesensorikonet vises på LCD-skærmen	Ikke relevant	LYSER IKKE	Nej	Føreren har forladt sædet, eller sædets sikkerhedslåsesystem er afbrudt.	Hvis brugeren sidder på sædet og ikonet lyser, skal du straks stoppe plæneklipperen og kontrollere sædetilslutningen. Hvis sædeforbindelsen med plæneklipperen virker, skal du kontakte en kvalificeret servicetekniker for reparation.
	Ikonet til PTO-kontakten blinker	Ikke relevant	LYSER IKKE	Nej	Klingemotoren er blevet afbrudt og PTO-kontakten er ikke slået fra.	Før plæneklipperen startes igen, skal du trykke PTO-kontakten ned for, at slukke klingemotorene. Se afsnittet "FEJLFINDING" i denne vejledning.
	Ikonet til energiregenereringen blinker af og til.	Ikke relevant	LYSER IKKE	Nej	Den kinetiske energi, der genereres under bremsning eller nedkørsel, omdannes til elektricitet til at oplade batterierne.	Dette er normalt. Du skal ikke gøre noget.
	CCS-ikonet blinker	Ikke relevant	LYSER IKKE	Nej	Fartpiloten (CCS) (cruise control system) virker ikke.	Fartpiloten (CCS) kan ikke indstilles, når plæneklipperen kører med meget lav hastighed eller kører bagud.

DK



**DK**

LCD-skærm	Beskrivelse	Fejlkode på LCD-skærmen	Plæneklipperens statusindikator	Bipper	Årsag	Løsning	
Se afsnittet "Fejlkode"	Venstre drivmotor drejer ikke.	Den PCBA-styrede venstre drivmotor virker ikke.	413	LYSER IKKE	En biplyd	PCBA-fejl	Få den repareret af en kvalificeret servicetekniker.
		Stikket (trefaset, strømkabel), der forbinder den venstre drivmotor med den tilhørende PCBA, har løsnet sig.	317	LYSER IKKE	En biplyd	Løs forbindelse	
		Stikket (seks stikben, signalkabel), der forbinder den venstre drivmotor med den tilhørende PCBA, har løsnet sig.	301	LYSER IKKE	En biplyd	Løs forbindelse	
		Venstre drivmotor virker ikke.	317	LYSER IKKE	En biplyd	Motorfejl	
Se afsnittet "Fejlkode"	Højre drivmotor drejer ikke.	Den PCBA-styrede højre drivmotor virker ikke.	313	LYSER IKKE	En biplyd	PCBA-fejl	Få den repareret af en kvalificeret servicetekniker.
		Stikket (trefaset, strømkabel), der forbinder den højre drivmotor med den tilhørende PCBA, har løsnet sig.	417	LYSER IKKE	En biplyd	Løs forbindelse	
		Stikket (seks stikben, signalkabel), der forbinder den højre drivmotor med den tilhørende PCBA, har løsnet sig.	401	LYSER IKKE	En biplyd	Løs forbindelse	
		Højre drivmotor virker ikke.	417	LYSER IKKE	En biplyd	Motorfejl	

LCD-skærm	Beskrivelse		Fejlkode på LCD-skærmen	Plæneklipperens statusindikator	Bipper	Årsag	Løsning
Se afsnittet "Fejlkode"	Venstre klingemotor drejer ikke	Den PCBA-styrede venstre klingemotor virker ikke	607	Ikke relevant	En biplyd	PCBA-fejl	Få den repareret af en kvalificeret servicetekniker.
		Stikket (trefaset, strømkabel), der forbinder den venstre klingemotor med den tilhørende PCBA, har løsnet sig.	509	Ikke relevant	En biplyd	Løs forbindelse	Undersøg først klingens. Hvis den har løsnet sig, skal du stramme boltene med det anbefalede moment. Eller få reparationerne gjort af en kvalificeret servicetekniker.
		Venstre klingemotor virker ikke.	509	Ikke relevant	En biplyd	Motorfejl	Få den repareret af en kvalificeret servicetekniker.
Se afsnittet "Fejlkode"	Højre klingemotor drejer ikke	Den PCBA-styrede højre klingemotor virker ikke	507	Ikke relevant	En biplyd	PCBA-fejl	Få den repareret af en kvalificeret servicetekniker.
		Stikket (trefaset, strømkabel), der forbinder den højre klingemotor med den tilhørende PCBA, har løsnet sig.	609	Ikke relevant	En biplyd	Løs forbindelse	Undersøg først klingens. Hvis den har løsnet sig, skal du stramme boltene med det anbefalede moment. Eller få reparationerne gjort af en kvalificeret servicetekniker.
		Højre klingemotor virker ikke.	609	Ikke relevant	En biplyd	Motorfejl	Få den repareret af en kvalificeret servicetekniker.
Se afsnittet "Fejlkode"	Gaspedalen virker ikke		311/ 411	LYSER IKKE	En biplyd	PCBA-fejl	Få den repareret af en kvalificeret servicetekniker.
			307/ 407			Løs forbindelse	
Se afsnittet "Fejlkode"	Rattet virker ikke		312/ 412	LYSER IKKE	En biplyd	PCBA-fejl	Få den repareret af en kvalificeret servicetekniker.
						Løs forbindelse	
Se afsnittet "Fejlkode"	Parkeringsbremsen virker ikke, og plæneklipperen kan ikke køre.	Parkeringsbremsens PCBA, der er i frontrammen, er gået i stykker.	309/ 409	LYSER IKKE	En biplyd	PCBA-fejl	Få den repareret af en kvalificeret servicetekniker.
		Parkeringsbremsekontakten og/eller ledning er gået i stykker.	801	LYSER IKKE	En biplyd	Kabel/kontakt-fejl	

**DK**

**DK**

LCD-skærm	Beskrivelse	Fejlkode på LCD-skærmen	Plæneklipperens statusindikator	Bipper	Årsag	Løsning
LYSER IKKE	Opladningsfejl	Ikke relevant	Lyser rød	Ikke relevant	Opladestikket er i et åbent kredsløb.	Få den repareret af en kvalificeret servicetekniker.
		Ikke relevant	Lyser rød	Ikke relevant	Der er ingen strømforsyning.	Kontroller stikkontakten, og se om den forsyner 220-240 V, og om stikket virker.
		Ikke relevant	Lyser rød	Ikke relevant	Sikringen er sprunget.	Få den repareret af en kvalificeret servicetekniker.
Se afsnittet "Fejlkode"	Opladningsstikket virker ikke	204	Ikke relevant	En biplyd	Opladestikket er i et åbent kredsløb.	Få den repareret af en kvalificeret servicetekniker.
Se afsnittet "Fejlkode"	Batterikassen virker ikke.	217	Ikke relevant	En biplyd	Strømkilden fra batterikassen er gået i stykker. LED-forlygterne og USB virker ikke.	Få den repareret af en kvalificeret servicetekniker.
		310/ 410	LYSER IKKE	En biplyd	Forbindelsen mellem Type C-ledninger i batterikassen og andre Type C-ledninger på plæneklipperen virker ikke.	
		201/ 202/ 203	LYSER IKKE	En biplyd	BMS'en til batterikassen er gået i stykker.	
Se afsnittet "Fejlkode"	Start/stop kontaktfej	314/ 414	LYSER IKKE	En biplyd	PCBA-kontakten virker ikke, eller der er en dårlig ledningsforbindelse til start/stop-kontakten.	Få den repareret af en kvalificeret servicetekniker.

LCD-skærm	Beskrivelse	Fejlkode på LCD-skærmen	Plæneklipperens statusindikator	Bipper	Årsag	Løsning
Se afsnittet "Fejlkode"	LCD-skærmfejl	315/ 415	LYSER IKKE	En biplyd	LCD-enheden er gået i stykker, eller der er en dårlig ledningsforbindelse til LCD-enheden.	Få den repareret af en kvalificeret servicetekniker.

## GARANTI

DK

### EGO GARANTI POLITIK

Besøg venligst hjemmesiden [egopowerplus.com](http://egopowerplus.com) for fuldstændige vilkår og betingelser for EGO's garantipolitik.

## LÄS IGENOM ALLA INSTRUKTIONER!



**LÄS IGENOM BRUKSANVISNINGEN**

## SÄKERHETSSYMBOL

Syftet med säkerhetssymboler är att uppmärksamma eventuella faror. Säkerhetssymbolerna och förklaringarna av dessa kräver din fullständiga uppmärksamhet och förståelse. Symbolvarningarna i sig eliminerar inte några faror. Instruktionerna och varningarna som ges är inte något substitut för korrekta åtgärder för förhindrande av olyckor.

SE

**⚠ VARNING:** Var noga med att läsa igenom och förstå alla säkerhetsinstruktioner i denna bruksanvisning, inklusive alla varningssymboler såsom **“FARA”**, **“VARNING”** och **“FÖRSIKTIGHET”** innan detta verktyg används. Underlåtenhet att läsa alla instruktioner som listas nedan kan resultera i elektrisk stöt, brand och/eller allvarlig personskada.

## SYMBOLBETYDELSE

Denna sida framställer och beskriver säkerhetssymboler som kan visas på denna produkt. Läs igenom, förstå och följ alla instruktioner på maskinen innan försök görs att montera och hantera den.

## SÄKERHETSSYMBOLER



Säkerhetslarm



Ögonskydd



FARA – Risk med brant sluttning



Transportera aldrig barn



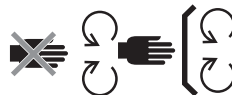
VARNING - Använd inte maskinen i sluttningar större än 12°



VARNING - HÅLL UNDAN HÄNDER OCH FÖTTER



Läs igenom och förstå bruksanvisningen



Underhålla säkerhetsenheter



FARA – Håll åskådare undan från bladen



Titta bakåt när du backar



FARA - Ivägslungade föremål



Garanterad ljudeffektnivå. I enlighet med EU-direktivet.



Kliv inte



Förbrukade elektriska produkter får inte kastas i hushållssoporna. Lämna in dem till en auktoriserad återvinningsstation.



Denna produkt är i enlighet med tillämplig EG-direktiv.



VARNING - Stirra inte in i påslagen lampa.



Likström



Denna produkt uppfyller tillämpliga lagar i Storbritannien.

kPa

Kilopascal

RPM

Varv per minut

V

Volt

m

Meter

in

Tum

cm

Centimeter

Nm

Newtonmeter

mm

Millimeter

°C

Celsius

kg

Kilogram

km/h

Kilometer per timme

IPX4

Ingång skyddsgrad

SE

## SÄKERHETSSYMBOLER



Informationen måste noteras



Den angivna åtgärden stannar

## SPECIFIKATIONER

Spänning	56 V	
Däckstorlek	107 cm	
Hjulstorlek	Front	279,4 x 101,6 - 127 mm
	Bak	457,2 x 241,3 - 203,2 mm
Kallt däcktryck	Front	222,1 kPa
	Bak	110,3 kPa
Svängradie	0	
Bladhastighet (RPM)	2400; 2600; 2800; 3000	

Maximal körhastighet	Framåt	4,8 km/h, 8,1 km/h, 9,7 km/h, 11,3 km/h (12,8 km/h i köräge)
	Bakåt	upp till 5,6 km/h
Laddar	Laddare (tillval)	CHV1600E
	Adapter (tillval)	ACA1000
	Temperaturområde laddning	5°C - 40°C
Inställnings klipp höjd (10 positioner)		25 - 100 mm
Driftstemperatur		0°C - 40°C
Förvaringstemperatur		-20°C - 70°C

Vikt (utan batteripaket)	196 kg	
Uppmätt ljudeffektnivå $L_{WA}$	96,44 dB(A) K=0,68 dB(A)	
Ljudtrycksnivå vid operatörens öra $L_{PA}$	84,3 dB(A) K=3,0 dB(A)	
Garanterad ljudtrycksnivå $L_{WA}$ (uppmätt enligt 2000/14/EG)	100 dB(A)	
Vibration $a_h$	Hand	1,221 m/s <sup>2</sup> K=1,5 m/s <sup>2</sup>
	Stomme	0,568 m/s <sup>2</sup> K=1,5 m/s <sup>2</sup>

**SE**

- Det deklarerade totala vibrationsvärdet har uppmätts i enlighet med en standardtestmetod och kan användas för att jämföra ett verktyg med ett annat.
- Det deklarerade totala vibrationsvärdet kan också användas i en preliminär utvärdering av exponeringen.

**UPPMÄRKSAMMA:** Vibrationsutstrålningen under verklig användning av elverktyg kan skilja sig från det deklarerade värdet i vilken verktyget används. För att skydda användaren skall skyddshandskar och hörselskydd användas under faktiska användningsförhållandet.

## REKOMMENDERADE TILLBEHÖR

**⚠ VARNING:** Använd endast identiska utbytesdelar som listas nedan. Användning av delat som inte uppfyller originaldelarnas specifikationer kan leda till felaktig prestanda och riskera säkerheten.

ARTIKELNAMN	MODELLNUMMER
Standardblad	AB4200
Hög Lyftblad	AB4201
Mulchingtillsats	AMP4200
Gräsuppsamlingssats	ABK4200-A
Stötfångare bak	AMB1000

Lastbox	AMG1000
Solskydd	AMS1000

## BESKRIVNING

### LÄR KÄNNA GRÄSKLIPPAREN (bild A1)

1. Säte
2. Laddningsuttag
3. Kraftenhet
4. LED bakljus
5. Förvaringsfack
6. LED sidobelysning
7. Bakre hjul (drivhjul)
8. Tvättuttag
9. Däck
10. Däckskydd
11. Antiskalp-hjul
12. Framhjul
13. Parkeringsbromspedal
14. Körlampor
15. LED-strålkastare
16. Gaspedalen
17. Fotstödsområde
18. Sidoutkastarrör
19. Inställningsspak klipphöjd
20. Inställningsratt sätesupphängning
21. Ratt
22. Box höger sida
23. Inställningsspak sätesposition
24. PTO-omkopplare
25. Start-/Stoppknapp
26. Säkerhetsnyckel
27. Telefonförvaringsplats
28. Koppållare
29. Vänster paddel
30. Statusindikator gräsklippare
31. LCD-skärm



32. Höger Paddle
33. Inställningsknapp bladhastighet
34. CCS-knapp
35. Knapp köräge
36. Omkopplare LED-lampa
37. Inställningsknapp körhastighet
38. Låsknapp lock till strömenhet
39. Lock strömenhet
40. Kraftenhet med sex batterifack
41. Låsknapp för batteriet
42. Hake
43. Tillsats monteringslock
44. USB-uttag

### LÄR KÄNNA LCD-SKÄRMEN (Bild A2)

Se sektionen “**STATUSREFERENS OCH FELKODER FÖR GRÄSKLIPPARE**” för ytterligare information ikonerna och indikatorerna på LCD-skärmen.

1. Ikon bakåt
2. CCS-ikonen
3. Ikon säkerhetsnyckel
4. Ikon LED-lampa
5. Ikon automatisk parkering
6. USB-ikon
7. Indikatorer bladhastighet
8. Statusindikator säkerhetsenhet
9. Timmätare
10. Ikon för ledigt batterifack
11. Temperaturikon
12. Ikon upptaget batterifack
13. Köräge
14. Indikator felkod
15. Indikator överbelastning
16. Låg effektindikator
17. Bränslemätare
18. Belastningsindikator
19. Indikatorer körhastighet

## UPPACKNING

**UPPMÄRKSAMMA:** Spara förpackningsmaterialet tills du noggrant har inspekterat och tillfredsställande använt produkten. Om någon del i förpackningslistan är monterad på maskinen kontakta omedelbart EGO-service.

**UPPMÄRKSAMMA:** Förutom verktygen i nedanstående förpackningslista är alla andra verktyg som nämns i manualerna bara rekommendationer och medföljer inte.

**UPPMÄRKSAMMA:** Ta inte bort skumblocket under ratten innan ratten är korrekt installerad. Vibrationer under rörelse kan orsaka skador på ratten.

SE

### FÖRPACKNINGSLISTA (BILD B)

B-1	Spakstyrd åkgräsklippare	B-2	Säte
B-3	Mulchingtillsats	B-4	Insexskruvar (2 för backup)
B-5	Insexnyckel	B-6	Hylsnyckel
B-7	Öppna skiftnycklar	B-8	Säkerhetsnycklar
B-9	Snabbkoppling tvättuttag	B-10	Bruksanvisningar

## MONTERING

### INSTALLERA SÄTET (Bild C1 – C4)

**⚠ VARNING:** Säkerhetsspärrsystemet får inte frångöras eller förbikopplas. Om så görs kan det orsaka att gräsklipparen arbetar oväntat och resultera i personskador.

**UPPMÄRKSAMMA:** För din säkerhet kan gräsklipparen stanna om sätets omkopplare frångöras under körningen. I detta fall se sektionen “**FELSÖKNING**” för ytterligare information.

C1-1	Uttag	C1-2	Kontakt
C1-3	Kabel:	C2-1	Sätetsarm
C2-2	Upphångningsbas	C2-3	Insexnyckel

C2-4	Insexskruvar	C2-5	Inställningsspak sättesposition
C3-1	Stålskenor	C3-2	Insexnyckel
C3-3	Insexskruvar	C4-1	Krok

### INSTALLERA RATTEN (bild C5 — C6)

C5-1	Låsbult	C5-2	Stång
C6-1	Styrblock	C6-2	Spår
C6-3	Rattskydd		

SE

### FÄSTA MULCHINGPLUGGEN (Bild C7)

C7-1	Sidoutkastare	C7-2	Mulchingtillsats
C7-3	Flyttbar fjäder		

## JUSTERING

### FÖRE JUSTERING (bild D1)

### INSTÄLLNING AV KLIPPHÖJDEN (bild D2)

### INSTÄLLNING AV ANTISKALP-HJULEN (bild D3 – D6)

D3-1	Antiskalp-hjul	D5-1	Mutter
D5-2	Klackbult	D6-1	Etikett däckhöjd

### INSTÄLLNING AV SÄTET (bild D7)

D7-1	Inställningsspak sättesposition	D7-2	Inställningsratt sättesupphängning
------	---------------------------------	------	------------------------------------

### JUSTERING AV RATTEN (Bild D8)

D8-1	Låsbult	D8-2	Stång
D8-3	Styrblock	D8-4	Spår

## DRIFT

### INNAN ANVÄNDNING (bild E1)

### STÄLLA IN PARKERINGSBROMSEN (bild E2)

E2-1	Frisläppt position	E2-2	Bromsposition
------	--------------------	------	---------------

**UPPMÄRKSAMMA:** Tryck aldrig ner parkeringsbromspedalen för att sakta ner hastigheten. När parkeringsbromspedalen är tillräckligt nedtryckt, men inte till fullt parkeringsläge, slutar klipparen att röra sig på en plan yta, men om detta sker på en sluttning kan klipparen glida nerför sluttningen.

### FASTSÄTTNING/BORTTAGNING AV BATTERIPAKETET (bild E3 - E6)

För att starta denna gräsklippare krävs EGO-batterier på totalt 15 Ah (2 X BA4200T/BA4200T) eller mer. För bästa prestanda rekommenderar vi användning av EGO-batterier på totalt 30 Ah eller mer.

E3-1	Låsknapp för hölje	E5-1	Låsknapp för batteri
------	--------------------	------	----------------------

### LADDNING AV GRÄSKLIPPAREN

Använd endast med de rekommenderade batteripaketet och laddarna.

- Ladda batteripaketet (batterierna) separat (bild. E7)

**UPPMÄRKSAMMA:** Se motsvarande batteri- och laddarhandböcker för detaljerade instruktioner.

- Ladda batteripaketet (batterierna) via laddningsporten (bild. E8-E10)

E10-1	Dammlock	E10-2	Laddningsuttag
-------	----------	-------	----------------

### KONTROLLERA SÄKERHETSSPÄRRSYSTEMET.

- För att testa däckbladssystemet (bild E11 — E12)
- För att testa körsystemet (bild E13 — E14)

Om däckbladssystemet och/eller körsystemet inte stoppar när operatören reser från sätet och om orsaken inte kan fastställas efter att det bekräftats att kontakten och uttagsanslutningen för sätet är ordentligt anslutet kontaktar du EGO kundtjänst omedelbart.

### FÖRBEREDELSE INNAN ANVÄNDNING

- Se till att inga barn, åskådare eller husdjur är inom arbetsområdet.
- Rensa området från föremål som kan kastas iväg av gräsklipparens blad.
- Rengör skräp från gräsklipparen.
- Kontrollera om det finns lösa fästelement.

- Kontrollera att alla skydd är på plats och fungerar korrekt.
- Kontrollera visuellt däckerna om de är pumpade.
- Kontrollera bromsens funktion.
- Justera däckhöjden till önskat klippläge som passar bäst för gräsmattan och justera anti-skalphjulen därefter.
- Justera sätets position och se till att båda pedalerna kan nås.
- Justera ratten till önskat läge om det behövs.
- Kontrollera batteriladdningsnivån.
- Kontrollera säkerhetsspärssystemet.

## STARTA GRÄSKLIPPAREN (bild E15 - E16)

**⚠ VARNING:** Undvik plötsliga starter, stopp och svängningar samt överdriven hastighet, särskilt under första inläringen av hanteringen av gräsklipparen. Gräsklipparen kan accelerera iväg snabbt vilket kan göra att du tappar kontrollen vilket kan resultera i allvarliga personskador och/eller egendomsskador.

**⚠ VARNING:** Innan gräsklipparen startas, kontrollera att knivarna är urkopplade inom 5 s när PTO-omkopplaren trycks ned. Om bladen inte stoppar, använd inte gräsklipparen och kontakta EGO kundtjänst omedelbart.

**UPPMÄRKSAMMA:** Följ bild E17 och bild E18 för att få den lägsta körhastigheten och STANDARD-körläge tills du är fullt kapabel att hantera gräsklipparen i alla situationer.

Gräsklipparen sparar och presenterar tidigare körläge, körhastighet och kalibrering av ratten när den startas om.

## INSTÄLLNING KÖRHASTIGHET (bild E17)

- **KONTROLL:** Lägre acceleration, mindre känslig hantering och försiktig svängningshastighet för att skydda gräset och för nya användare.
- **STANDARD:** Perfekt för daglig användning.
- **SPORT:** Högre acceleration, korrekt hantering och skarpa svängar för att maximera klippeffektiviteten och för gräsklipparentusiaster.

**NOTERA:** Körläget kan inte ändras under körningen. Funktionen aktiveras endast när klipp hjulen stoppas.

## Inställning körhastighet (bild E18)

**NOTERA:** När du är i "TURBO" -läge, tryck på "-", körhastigheten återgår till föregående läge.

## Inställning bladhastighet (bild E19)

### LED-lampor

- Strålkastarna, sidolamporna och bakljusen kontrolleras med LED-lampomkopplaren.
- Körlamporna lyser alltid under körning.
- Vid backning, om bakljusen är avstängda kommer de att blinka för att varna åskådare, om bakljusen är påslagna kommer de att förbli på.
- Alla lampor släcks automatiskt när gräsklipparen stängs av automatiskt efter en period utan aktivitet.

SE

### USB-uttag

**UPPMÄRKSAMMA:** USB-uttaget ger laddningsström på 5 Volt DC på upp till en kombinerad spänning på 1,5 ampere och strömförsörjs endast när gräsklipparen startar.

## STOPPA GRÄSKLIPPAREN (bild E20)

**UPPMÄRKSAMMA:** Efter mer än 60 minuters inaktivitet kommer gräsklipparen att stängas av automatiskt.

### Linka-hemläge

När batteriladdningen blir kritiskt låg, klipparen går in i Limp-Home-läge för att bevara tillräckligt med ström för att åka tillbaka till laddningsområdet.

- Bladen växlar till låg rotationshastighet, vilket bara kan klippa mycket liten mängd gräs. När du stöter på högt och tätt gräs kommer knivarna att sluta rotera. Ljudindikatorn låter (pip) intermittent.
- Gräsklipparens statusindikator blinkar rött varje sekund, både lågeffektindikatorn och batterigrafiken på bränslemätaren blinkar.

Operatören skall:

- Tryck kraftuttagsomkopplaren nedåt för att stänga av bladmotorerna. Ljudindikatorn slutar låta när bladmotorerna stannar.
- Sluta arbeta och komma till laddningsområdet så snart som möjligt. Det maximala avståndet som gräsklipparen kan köra är 1000 m.

När batteriet är nästan helt tomt kommer ikonen för varje upptaget batterifack och indikatorn för låg energi

kommer att blinka varje halv sekund. Gräsklipparen slutar att arbeta omedelbart. Operatören måste transportera gräsklipparen till laddningsområdet för laddning.

**UPPMÄRKSAMMA:** Om manuell påskjutning behövs, se till att batterierna är bortkopplade från gräsklipparen och att parkeringsbromspedalen är lossad från bromspositionen.

## KÖRA GRÄSKLIPPAREN (bild E21)

**⚠ FARA:** Håll dig minst två klippbredder från diken, branter eller vatten. De främre hjulen kan rotera när gräsklipparen är stoppad, även med bromsen aktiverad och orsaka att gräsklipparen kör över kanten eller ned i vattnet och resultera i dödsfall eller allvarliga personskador.

**⚠ VARNING:** Var uppmärksam på vad som finns bakom gräsklipparen innan du backar. Klipp INTE backande om det inte är absolut nödvändigt. Titta alltid ned och bakom innan och under backningen för att vara säker på att inga barn, åskådare eller djur kommer in i klippområdet. Kom ihåg att oaktsamhet under en bråkdel av en sekund är tillräcklig för att orsaka dödsfall eller allvarliga skador.

**⚠ VARNING:** Kör inte med denna maskin på allmän väg.

**⚠ VARNING:** Om en blockering uppstår eller du kör på ett främmande föremål, stoppa motorn och ta bort batterierna. Ta bort gräsklipp, löv, smuts och annan ackumulerat skräp, inspektera gräsklipparen noga om där finns skador och reparera skadorna innan gräsklipparen startas och används.

## ANVÄNDA FARTHÅLLARE (CCS)

### Aktivera CCS under körning (bild E22)

**NOTERA:** Körhastighetsnivån som visas på LCD-skärmen kanske inte exakt motsvarar klipparens faktiska körhastighet i farthållaren. Tryck på en av hastighetsjusteringsknapparna ("←" eller "→") för att "uppdatera" och justera körhastighetsnivån på LCD-skärmen.

**För att avsluta CCS och stoppa gräsklipparen** kan du välja ett av de fyra sätten:

- Tryck lätt på gaspedalen och släpp den sedan.

- Dra vänster/höger paddel (ar) mot operatören och släpp sedan.
- Tryck ned parkeringsbromspedalen
- Tryck på CCS-knappen.

**NOTERA:** Tryck ned gaspedalen hela vägen för att uppnå den aktuella CCS-körhastigheten och fortsätt att hålla den nedtryckt. CCS-funktionen stannar och gräsklipparen fortsätter att köra med aktuell hastighet.

## UNDERHÅLL

**⚠ VARNING:** Använd alltid ögonskydd med sidoskärmar. Om inte så görs kan det resultera i att föremål kastas in i ögonen och andra möjliga allvarliga skador.

**⚠ VARNING:** Skydda alltid händer genom att använda kraftiga handskar eller linda in klippkanterna med trasor eller annat material när underhålls görs av kniven. Ta alltid bort säkerhetsnyckeln och batteripaketet vid service eller transport av gräsklipparen.

Intervall underhållsservice	Underhållsprocedur
Innan varje användning eller dagligen	<ul style="list-style-type: none"> <li>▪ Kontrollera säkerhetsspärrsystemet.</li> <li>▪ Kontrollera visuellt däckens om de är pumpade.</li> <li>▪ Inspektera bladen.</li> <li>▪ Inspektera hela produkten om där finns skador, saknade eller lösa delar såsom sidoutkastaren, skruvar, muttrar, bultar, höljen etc., se till att alla skydd finns på plats och fungerar korrekt.</li> <li>▪ Kontrollera och se till att gaspedalen kan vara nedtryckt och släppas ordentligt.</li> <li>▪ Kontrollera rattens stötdämpare. Ratten ska roteras med visst motstånd.</li> </ul>
Efter varje användning	<ul style="list-style-type: none"> <li>▪ Rensa gräsklippardäcket.</li> </ul>
Var 25:e timma	<ul style="list-style-type: none"> <li>▪ Kontrollera däcktrycket.</li> </ul>

Var 100:e timma	<ul style="list-style-type: none"> <li>Kontrollera det bakre hjulen, se till att de fyra hjulmuttrarna är fastsatta med det rekommenderade vridmomentet.</li> </ul>
Var 200:e timma	<ul style="list-style-type: none"> <li>Kontrollera de främre hjulen, se till att de rör sig fritt.</li> </ul>
Före lagring	<ul style="list-style-type: none"> <li>Ta bort batterierna från gräsklipparen.</li> <li>Ta bort säkerhetsnyckeln från gräsklipparen.</li> <li>Utför alla underhållsprocedurer som anges ovan och rengör gräsklipparen noggrant.</li> <li>Kontrollera hela produkten för skadade, saknade eller lösa delar, byt ut eller dra åt motsvarande före förvaring.</li> </ul>
Årligen	<ul style="list-style-type: none"> <li>Kontrollera parkeringsbromspedalen. Ta bort batteriet från gräsklipparen och placera bromspedalen i bromsläget. Skjut manuellt gräsklipparen framåt för att se om gräsklipparen kan förflyttas eller ej. Om den rör sig, lämna den på service hos en kvalificerad servicetekniker.</li> </ul>

## ALLMÄNT UNDERHÅLL

Rengöra gräsklipparens hölje (bild F1 - F2)

Använd tvättporten för att rengöra klippdäcket (bild F3 - F4)

F2-1	Tvättuttag	F2-2	Snabbkoppling tvättuttag
F2-3	Trädgårdsslang		

**UPPMÄRKSAMMA:** När du avslutar rengöringen, stäng av gräsklipparen helt och ta sedan bort trädgårdsslangen och snabbkopplingen.

## UNDERHÅLLA GRÄSKLIPPARDÄCKET OCH KLIPPBLADEN

**FÖRBEREDELSE (bild G1)**

Ta bort gräsklippardäcket (bild G2 - G3)

G2-1	Motorkabel	G2-2	Upphångningslänk
G2-3	Saxsprint		

**UPPMÄRKSAMMA:** Koppla bort alla motorkablar och saxpinnar när du tar bort klippdäcket.

Byta ut klippbladen (bild G4 - G6)

G4-1	Stabilisator	G5-1	Bult
G5-2	Bricka	G5-3	Kniv
G5-4	Fläns	G5-5	Motoraxel

SE

Nivellera gräsklippardäcket

a. Vid nivellering (bild G7 - G9)

b. Innan nivellering

- Kontrollera de kalla däckens tryck (bild G10)
- Kontrollera klippbladen. Ta bort och byt slitna, spräckta och/eller böjda blad vid behov.

c. Förberedelse för nivellering (bild G11)

d. Hur man nivellerar

- Göra sida-till-sida inställning (bild G12)
- Göra en front-till-bak inställning (bild G13)

## KALIBRERA GRÄSKLIPPARENS

### SPÅRNINGSSYSTEM (bild H1 - H2)

**UPPMÄRKSAMMA:** Ljudindikatorn kommer att ljuda en gång både när kalibreringen startar och när kalibreringen är avslutad.

**NOTERA:** Den slutförda kalibreringen för ett av körlägena ("KONTROLL", "STANDARD", "SPORT") kanske inte är tillgänglig för de två andra lägena. Kalibrera ratten i varje körläge oberoende efter behov.

## ÅTERSTÄLLA GRÄSKLIPPAREN TILL URSPRUNGLIGA FABRIKINSTÄLLNINGEN (BILD I)

**UPPMÄRKSAMMA:** Ljudindikatorn kommer att ljuda en gång både när återställningen startar och när återställningen är avslutad.

**NOTERA:** När återställningen lyckas återgår inställningarna nedan till den ursprungliga fabriksinställningen:

- körläge
- körhastighet
- kalibrering av ratten

## FÖRVARING OCH TRANSPORT

### TRANSPORTERA GRÄSKLIPPAREN

(bild J1 - J5)

SE

**UPPMÄRKSAMMA:** Sätt fast gräsklipparen såsom behövs, använd remmar eller kablar för att förhindra rörelser under transporten.

### FÖRVARING (bild K1 – K2)

**UPPMÄRKSAMMA:** Ta bort batteripaketet och förvara batterierna i enlighet med deras respektive manual.

Rengör och kontrollera gräsklipparen innan förvaring, se sektionerna “**RENGÖRA GRÄSKLIPPAREN**” och “**REKOMMENDERADE UNDERHÅLLSSCHEMAN**”.

### Skydd av miljön



WEEE (Waste Electrical and Electronic Equipment) Kasta inte elektrisk utrustning, använt batteri och laddare i hushållssoporna!

■ Ta denna produkt till en auktoriserad återvinnare och gör den tillgänglig för separat insamling. Elektriska verktyg måste returneras till en miljöanpassad återvinningsanläggning.




## FELSÖKNING

PROBLEM	ORSAK	LÖSNING
Spakstyrda åkgräsklipparen misslyckas med att köra när gaspedalen är nedtryckt.	<ul style="list-style-type: none"> <li>De insatta batteriernas sammanlagda Ah-värde uppfyller inte kravet.</li> </ul>	<ul style="list-style-type: none"> <li>För att starta gräsklipparen måste du använda tillräckligt många EGO-batterier enligt instruktionerna i avsnittet "<b>FÄSTA/TA BORT BATERIPAKETET</b>" i den här bruksanvisningen.</li> </ul>
	<ul style="list-style-type: none"> <li>Parkeringsbromspedalen är inställd i bromspositionen.</li> </ul>	<ul style="list-style-type: none"> <li>Tryck helt ned parkeringsbromspedalen för att lossa den från bromspositionen.</li> </ul>
	<ul style="list-style-type: none"> <li>Både vänster och höger paddlar dras inte kort mot föraren för att få gräsklipparens statusindikator att lysa grönt när gräsklipparen startas.</li> </ul>	<ul style="list-style-type: none"> <li>Dra <b>BÅDE</b> vänster och höger paddlar mot operatören och släpp sedan. Gräsklipparens statusindikator lyser grönt, vilket innebär att gräsklipparen är redo att starta.</li> </ul>
	<ul style="list-style-type: none"> <li>Operatören sitter inte på sätet.</li> </ul>	<ul style="list-style-type: none"> <li>Endast när operatören sitter korrekt på sätet kan gräsklipparen arbeta.</li> </ul>
	<ul style="list-style-type: none"> <li>Sätet är inte korrekt anslutet.</li> </ul>	<ul style="list-style-type: none"> <li>Ta bort batteriet från gräsklipparen och demontera sätet i omvänd ordning enligt instruktionerna i avsnittet "<b>INSTALLERA SÄTET</b>" i denna handbok för att se till att kabelkontakten är ordentligt ansluten till uttaget på undersidan av sätet. Montera tillbaka sätet och följ instruktionerna i "<b>STARTA GRÄSKLIPPAREN</b>" för att starta om gräsklipparen för att se om gräsklipparen kan startas. Om inte, kontakta en kvalificerad servicetekniker för reparation.</li> </ul>
	<ul style="list-style-type: none"> <li>Under extrem kallt väder kan inte drivfunktionen startas på grund av skydd mot låga temperaturer.</li> </ul>	<ul style="list-style-type: none"> <li>Förvara alltid gräsklipparen och batteriet i en varm miljö. Starta om gräsklipparen när den värmts upp. Gör inte upprepade försök under extremt kallt väder vilket kan skada maskinen.</li> </ul>
	<ul style="list-style-type: none"> <li>Gaspedalens väg är igensatt med skräp.</li> </ul>	<ul style="list-style-type: none"> <li>Kontrollera och ta bort skräpet.</li> </ul>
	<ul style="list-style-type: none"> <li>Fel på mekaniska eller elektroniska komponenter i gaspedalen.</li> </ul>	<ul style="list-style-type: none"> <li>Kontakta en kvalificerad servicetekniker för reparation.</li> </ul>

SE



PROBLEM	ORSAK	LÖSNING
Den spakstyrda gräsklipparen slutar att köra.	<ul style="list-style-type: none"> <li>Vänster/Höger paddel kräver en "återställning".</li> </ul>	<ul style="list-style-type: none"> <li>Dra vänster/höger paddlar mot operatören och släpp dem. Om statusindikatorn visar grön är gräsklipparen redo att köras.</li> </ul>
	<ul style="list-style-type: none"> <li>Fel på elektroniska komponenter i gaspedalen.</li> </ul>	<ul style="list-style-type: none"> <li>Kontakta en kvalificerad servicetekniker för reparation.</li> </ul>
	<ul style="list-style-type: none"> <li>Säkerhetsspärssystemet för sätessäkerhet kopplades bort under körning i grov terräng.</li> </ul>	<ul style="list-style-type: none"> <li>Ta bort batteriet från gräsklipparen och demontera sätet i omvänd ordning enligt instruktionerna i avsnittet "<b>INSTALLERA SÄTET</b>" i denna handbok för att se till att kabelkontakten är ordentligt ansluten till uttaget på undersidan av sätet. Montera tillbaka sätet och följ instruktionerna i "<b>STARTA GRÄSKLIPPAREN</b>" för att starta om gräsklipparen för att se om gräsklipparen kan startas. Om inte, kontakta en kvalificerad servicetekniker för reparation.</li> </ul>
	<ul style="list-style-type: none"> <li>Operatörens vikt är inte jämnt fördelad på sätet. Operatörens vikt på sätet måste vara minst 20 kg för att säkerhetsspärssystemet för sätet ska fungera korrekt</li> </ul>	<ul style="list-style-type: none"> <li>Sitt ordentligt på sätet, dra åt vänster/höger eller båda paddlarna mot föraren och släpp dem, då är gräsklipparen redo för körning.</li> </ul>
	<ul style="list-style-type: none"> <li>Parkeringsbromspedalen är nedtryckt för att sänka körhastigheten. När parkeringsbromspedalen är tillräckligt nedtryckt men inte till parkeringsläget stannar gräsklipparen.</li> </ul>	<ul style="list-style-type: none"> <li>Koppla ur och sätt på batteriet igen om det behövs.</li> <li>Följ anvisningarna i "<b>STARTA GRÄSKLIPPAREN</b>" för att starta om gräsklipparen.</li> </ul>
Körläget kan inte ändras under körningen.	<ul style="list-style-type: none"> <li>Det är en funktion hos den elektriska spakstyrda gräsklipparen för säker körning.</li> </ul>	<ul style="list-style-type: none"> <li>Funktionen aktiveras endast när klipphjulen stoppas.</li> </ul>

PROBLEM	ORSAK	LÖSNING
<p>Den pakstyrda gräsklipparen vägrar att starta bladen när PRO-omkopplaren aktiveras.</p>  <p>PTO-omkopplarens ikon blinkar</p>	<ul style="list-style-type: none"> <li>De insatta batteriernas sammanlagda Ah-värde uppfyller inte kravet.</li> </ul>	<ul style="list-style-type: none"> <li>För att starta gräsklipparen måste du använda tillräckligt många EGO-batterier enligt instruktionerna i avsnittet "<b>FÖSTA/TA BORT BATTERIPAKETET PACK</b>" i den här bruksanvisningen.</li> </ul>
	<ul style="list-style-type: none"> <li>PTO-omkopplaren trycktes inte ner när gräsklipparen stängdes av förra gången.</li> </ul>	<ul style="list-style-type: none"> <li>Tryck ner PTO-omkopplaren och sedan upp för att starta om bladmotorerna.</li> </ul>
	<ul style="list-style-type: none"> <li>Gräsklipparen är överbelastad när knivarna börjar rotera och utlöser motorns självskydd.</li> </ul>	<ul style="list-style-type: none"> <li>Starta gräsklipparens klippning först med låg hastighet och tills bladen når korrekt rotation, öka inte bladens acceleration när så behövs.</li> </ul>
	<ul style="list-style-type: none"> <li>Under extrem kallt väder kan inte bladmotorn startas på grund av skydd mot låga temperaturer.</li> </ul>	<ul style="list-style-type: none"> <li>Förvara alltid gräsklipparen och batteriet i en varm miljö. Starta om gräsklipparen när den värmts upp. Gör inte upprepade försök under extremt kallt väder vilket kan skada maskinen.</li> </ul>
	<ul style="list-style-type: none"> <li>Bladet kommer i kontakt med det deformerade gräsklippardäcket.</li> </ul>	<ul style="list-style-type: none"> <li>Kontakta EGO Kundtjänst.</li> </ul>
	<ul style="list-style-type: none"> <li>Gräsklipparen kör med "TRAVEL" -hastighet.</li> </ul>	<ul style="list-style-type: none"> <li>När gräsklipparen kör med "TRAVEL" -hastighet stannar bladmotorerna automatiskt.</li> </ul>

PROBLEM	ORSAK	LÖSNING	
Bladen slutar att arbeta under gräsklippningen.	<ul style="list-style-type: none"> <li>Gräsklipparen är överbelastad.</li> </ul>	<ul style="list-style-type: none"> <li>Höj däckets klipphöjd eller sänk körhastigheten för att minska belastningen på gräsklipparen.</li> </ul>	
	<ul style="list-style-type: none"> <li>Gräsklippardäcket är igensatt med gräs och skräp.</li> </ul>	<ul style="list-style-type: none"> <li>Rengör gräsklippardäcket och se till att bladen kan röra sig fritt.</li> </ul>	
	<ul style="list-style-type: none"> <li>Gräsklipparen är överhettad.</li> </ul>	<ul style="list-style-type: none"> <li>Minska belastningen på gräsklipparen genom att höja däckets klipphöjd eller sänka hastigheten hos bladet/körningen och låta gräsklipparen svalna.</li> </ul>	
	<ul style="list-style-type: none"> <li>Batteripaketen i gräsklipparens batterifack är överhettade vilket resulterar i den kombinerade Ah-värderingen för alla isatta batterier inte uppfyller kraven.</li> </ul>		1. Gräsklipparen kan fortsätta att arbeta om det kombinerade batteri AH märkningen, exkluderat överhettat batteri, uppfyller kraven. När det överhettade batteriet återgår till normal temperatur kommer det omedelbart att ansluta för att strömförsörja gräsklipparen.
			2. Om det kombinerade batteriets Ah märkning inte uppfyller kraven kommer inte gräsklipparen att arbeta innan fler batteripaket satts i de tomma batterifacken.
			3. Minska belastningen på gräsklipparen genom att höja däckets klipphöjd eller sakta ned klippningen när arbetet återupptas.
	<ul style="list-style-type: none"> <li>Gräsklipparen är i Linka-hemläge.</li> </ul>	<ul style="list-style-type: none"> <li>När gräsklipparen är i Linka-hemläget kommer bladen automatiskt att växla till låg rotationshastighet utan att klippa gräs. Operatören skall sluta arbeta och kör till batteriladdningsområdet så snart som möjligt.</li> </ul>	
	<ul style="list-style-type: none"> <li>Gräsklipparen har träffat ett främmande föremål vilket resulterar i självskydd av motorn.</li> </ul>	<ul style="list-style-type: none"> <li>Tryck ner PTO-omkopplaren och sedan upp för att starta om bladmotorerna.</li> </ul>	
<ul style="list-style-type: none"> <li>Gräsklipparens hastighet justeras i läget "TRAVEL".</li> </ul>	<ul style="list-style-type: none"> <li>När klipparens hastighet är i läget "TRAVEL" stannar knivmotorerna automatiskt.</li> </ul>		

PROBLEM	ORSAK	LÖSNING
Ljudindikatorn fortsätter att låta.	<ul style="list-style-type: none"> <li>▪ Gräsklipparen är i Linka-hemläge och bladen är inte avstängda.</li> </ul>	<ul style="list-style-type: none"> <li>▪ Tryck ner PTO-omkopplaren för att stänga av bladmotorerna. Ljudindikatorn slutar låta när bladmotorerna är avstängda.</li> </ul>
	<ul style="list-style-type: none"> <li>▪ Gräsklipparen slutar att köra i en sluttning och operatören kliver ur sätet utan att ställa in parkeringsbromsspaken i bromsläget.</li> </ul>	<ul style="list-style-type: none"> <li>▪ Ställ in parkeringsbromspedalen i bromsläget innan gräsklipparen lämnas i en sluttning.</li> </ul>
Batteriindikatorn är fortfarande på när gräsklipparen stängs av.	<ul style="list-style-type: none"> <li>▪ När gräsklipparen är avstängd på plan mark utan att batteripaketet tagits bort från gräsklipparen kommer batteriindikatorerna, start/stop-knappen och CCS-knappen att lysa under en period.</li> </ul>	<ul style="list-style-type: none"> <li>▪ Ingen handling krävs. Batteriindikatorerna släcks när klipparen stängs av efter en viss tid. Se avsnittet <b>“STOPPA GRÄSKLIPPAREN”</b> för den specifika tiden.</li> </ul>
	<ul style="list-style-type: none"> <li>▪ När gräsklipparen stängs av i en sluttning utan att parkeringsbromspedalen ställts in i bromspositionen kommer batteriindikatorerna att lysa till batteriladdningen är slut. Ljudindikatorn kommer att ljuda samtidigt.</li> </ul>	<ul style="list-style-type: none"> <li>▪ Ställ in parkeringsbromspedalen i bromsläget innan gräsklipparen lämnas i en sluttning.</li> </ul>
LCD-skärmen kan inte lysa med alla ikonerna påslagna.	<ul style="list-style-type: none"> <li>▪ Start/stop-knappen har tryckts ned tillräckligt länge.</li> </ul>	<ul style="list-style-type: none"> <li>▪ LCD-skärmen kommer endast att visa “Bränslemätare” vid kort tryckning på när start/stopknappen.</li> </ul>
		<ul style="list-style-type: none"> <li>▪ LCD-skärmen kommer att slås på när start/stopknappen tryckts in tillräckligt länge.</li> </ul>
Gräsklipparen klipper ojämnt med signifikant höjdskillnad framifrån och bak.	<ul style="list-style-type: none"> <li>▪ Bladen är slöa.</li> </ul>	<ul style="list-style-type: none"> <li>▪ Slipa eller byt klippbladen såsom instrueras i denna manual.</li> </ul>
	<ul style="list-style-type: none"> <li>▪ Bladen är böjda.</li> </ul>	<ul style="list-style-type: none"> <li>▪ Byt böjda klippblad enligt instruktionerna i sektionen <b>“BYTA KLIPPBLADEN”</b>.</li> </ul>
	<ul style="list-style-type: none"> <li>▪ Gräsklippardäcket är inte nivellerad vilket resulterar i olika höjd på klippbladen.</li> </ul>	<ul style="list-style-type: none"> <li>▪ Nivellera gräsklippardäcket enligt instruktionerna i sektionen <b>“NIVELLERA GRÄSKLIPPARDÄCKET”</b>.</li> </ul>

**SE**

PROBLEM	ORSAK	LÖSNING
Den verkliga gräsklippningshöjden är inte i linje med begärd höjd.	<ul style="list-style-type: none"> <li>Gräsklippardäckets muttrar är lösa på upphängningslänken.</li> </ul>	<ul style="list-style-type: none"> <li>Följ instruktionerna i sektionen “<b>NIVELLERA GRÄSKLIPPARDÄCKET</b>” för att göra korrekt justering av front-till-bak av gräsklippardäcket och dra åt de fyra muttrarna på upphängningslänkarna.</li> </ul>
	<ul style="list-style-type: none"> <li>Gräsklippardäcket är skadat eller allvarligt slitet.</li> </ul>	<ul style="list-style-type: none"> <li>Följ instruktionerna i sektionen “<b>TA BORT GRÄSKLIPPARDÄCKET</b>” för att byta gräsklippardäcket.</li> </ul>
Gräsklipparen finfördelar inte ordentligt.	<ul style="list-style-type: none"> <li>Vått gräsklipp har fastnat på undersidan av däckets.</li> </ul>	<ul style="list-style-type: none"> <li>Vänta tills gräset torkar innan klippning.</li> </ul>
	<ul style="list-style-type: none"> <li>Gräsklipparen är inställd att klippa för mycket gräs i taget.</li> </ul>	<ul style="list-style-type: none"> <li>Höj däckets klipphöjd.</li> </ul>
Overdriven vibration.	<ul style="list-style-type: none"> <li>Klippbladen är lösa.</li> </ul>	<ul style="list-style-type: none"> <li>Dra åt knivbulten enligt rekommenderade vridmomentet.</li> </ul>
	<ul style="list-style-type: none"> <li>Bladen är böjda.</li> </ul>	<ul style="list-style-type: none"> <li>Byt böjda klippblad enligt instruktionerna i sektionen “<b>BYTA KLIPPBLADEN</b>”.</li> </ul>
	<ul style="list-style-type: none"> <li>Gräsklippardäcket är inte i nivå.</li> </ul>	<ul style="list-style-type: none"> <li>Nivellera gräsklippardäcket enligt instruktionerna i sektionen “<b>NIVELLERA GRÄSKLIPPARDÄCKET</b>”.</li> </ul>
	<ul style="list-style-type: none"> <li>Gräsklippardäckets muttrar är lösa på upphängningslänken.</li> </ul>	<ul style="list-style-type: none"> <li>Dra åt muttrarna på fjädringslänken.</li> </ul>
	<ul style="list-style-type: none"> <li>Gräsklipparen är inställd att klippa för mycket gräs i taget.</li> </ul>	<ul style="list-style-type: none"> <li>Höj däckets klipphöjd.</li> </ul>
Det finns gräs eller skräp kvar på marken efter klippningen.	<ul style="list-style-type: none"> <li>Gräsklipparen är inställd att klippa för mycket gräs i taget när gräset är högt.</li> </ul>	<ul style="list-style-type: none"> <li>Börja med en hög klipphöjd och sänk den tills önskat klippresultat uppnås. Gräs högre än 152 mm skall klippas två gånger med successivt sänkt klipphöjd.</li> </ul>
	<ul style="list-style-type: none"> <li>Gräset är vått.</li> </ul>	<ul style="list-style-type: none"> <li>Klipp inte gräset när det är vått utan vänta tills det torkat.</li> </ul>
	<ul style="list-style-type: none"> <li>Körhastigheten är för hög.</li> </ul>	<ul style="list-style-type: none"> <li>Sänk körhastigheten.</li> </ul>
	<ul style="list-style-type: none"> <li>Bladhastigheten är låg.</li> </ul>	<ul style="list-style-type: none"> <li>Öka bladhastigheten gradvis.</li> </ul>
Kort körtid för gräsklipparen med inkluderat batteri.	<ul style="list-style-type: none"> <li>Gräsmatta terräng, gräsförhållanden, klipphöjdsinställning, körhastighet, bladhastighet etc. kommer att påverka körtiden kraftigt.</li> </ul>	<ul style="list-style-type: none"> <li>Höj däckets klipphöjd och sänk bladhastigheten för att minska klippbelastningen.</li> </ul>

PROBLEM	ORSAK	LÖSNING
Gräsklipparen spårar inte rakt.	<ul style="list-style-type: none"> <li>▪ Däcktrycket för det vänstra och höga bakre hjulen är olika.</li> </ul>	<ul style="list-style-type: none"> <li>▪ Kontrollera och justera lufttrycket i båda bakhjulsdäcken, enligt avsnittet ”<b>SPECIFIKATIONER</b>”.</li> </ul>
	<ul style="list-style-type: none"> <li>▪ Körhastigheten för det vänstra och högra bakre hjulen är olika.</li> </ul>	<ul style="list-style-type: none"> <li>▪ Kalibrera gräsklipparens styrhju enligt instruktionerna i sektionen ”<b>KALIBRERA GRÄSKLIPPARNES SPÅRNINGSSYSTEM</b>”.</li> </ul>
Parkeringsbromspedalen kan inte lossas från bromspositionen eller fjädrar långsamt tillbaka.	<ul style="list-style-type: none"> <li>▪ Det kan finnas skräp eller smuts som kommit in i parkeringsbromspedalen.</li> </ul>	<ul style="list-style-type: none"> <li>▪ Öppna parkeringsbromsens pedalbox för att noggrant rengöra boxen på insidan och stäng den. Återställ parkeringsbromspedalen för att se om problemet är löst. Om inte, kontakta en kvalificerad servicetekniker för reparation.</li> </ul>
Gräsklipparen kan inte laddas via laddningsuttaget med gräsklipparens statusindikator lysande fast röd.	<ul style="list-style-type: none"> <li>▪ Kontakten till laddaren är inte korrekt isatt i laddningsuttaget på gräsklipparen.</li> </ul>	<ul style="list-style-type: none"> <li>▪ Återanslut laddningskontakten för att se om gräsklipparen kan laddas normalt.</li> </ul>
	<ul style="list-style-type: none"> <li>▪ Det finns ingen ström i vägguttaget.</li> </ul>	<ul style="list-style-type: none"> <li>▪ Ingen handling krävs. Vänta tills effekten återställts.</li> </ul>
	<ul style="list-style-type: none"> <li>▪ Funktionsfel hos laddaren.</li> </ul>	<ul style="list-style-type: none"> <li>▪ Ring EGO Customer Service Center för inspektion och låt laddaren repareras vid behov.</li> </ul>
	<ul style="list-style-type: none"> <li>▪ Laddningsuttaget på gräsklipparen är defekt.</li> </ul>	<ul style="list-style-type: none"> <li>▪ Kontakta EGO Kundtjänst.</li> </ul>
Laddningstiden via gräsklipparens laddningsuttag är alltför lång.	<ul style="list-style-type: none"> <li>▪ Användning av EGO-adapter ACA1000 för laddning kräver lång tid.</li> </ul>	<ul style="list-style-type: none"> <li>▪ Använd EGO-laddare CHV1600E för laddning av den spakstyrda gräsklipparen direkt.</li> </ul>
Batteriet kan inte laddas fullt via gräsklipparens laddningsuttag.	<ul style="list-style-type: none"> <li>▪ Bugg i det fasta programmet på gräsklipparen eller laddningsfel.</li> </ul>	<ul style="list-style-type: none"> <li>▪ Återställ laddaren genom att koppla ur laddaren och vänta längre än flera minuter. Anslut sedan kontakten till strömförsörjningen igen. Om detta inte löser problemet, ring EGO kundservice.</li> </ul>
Gräsklipparen kan inte startas efter rengöringen.	<ul style="list-style-type: none"> <li>▪ Felaktig rengöring så att vatten kommit in i de elektriska komponenterna, LCD-skärmen etc.</li> </ul>	<ul style="list-style-type: none"> <li>▪ Följ instruktionerna i avsnittet ”<b>ALLMÄNT UNDERHÅLL</b>” för att rengöra gräsklipparen korrekt.</li> </ul>
		<ul style="list-style-type: none"> <li>▪ Om gräsklipparen oavsiktligt lämnats ute i regnet, lämna den ute iför att torka eller använd tryckluft för att torka den.</li> </ul>
Gräsklippardäcket blir igensatt snabbt.	<ul style="list-style-type: none"> <li>▪ Gräsklippardäcket rengjordes inte ordentligt efter tidigare användning.</li> </ul>	<ul style="list-style-type: none"> <li>▪ Rengör gräsklippardäcket efter varje användning, följ sektionen ”<b>Använda tvättuttaget för att rengöra gräsklippardäcket</b>”.</li> </ul>

PROBLEM	ORSAK	LÖSNING
Gräsklipparen förlorar lätt riktningen vid klättring i sluttningar.	<ul style="list-style-type: none"> <li>▪ Däcken på de bakre hjulen är slitna.</li> </ul>	<ul style="list-style-type: none"> <li>▪ Sök efter lokal service för att byta hjulens däck.</li> </ul>
	<ul style="list-style-type: none"> <li>▪ Klippning på en brant sluttning.</li> </ul>	<ul style="list-style-type: none"> <li>▪ Gräsklipparen ska inte användas för att klippa sluttningar brantare än de grader som krävs.</li> </ul>
När gräsklipparen stoppas i en sluttning med parkeringsbromspedalen nedtryckt kan gräsklipparen glida bakåt i sluttningen.	<ul style="list-style-type: none"> <li>▪ Bromskomponenterna är mycket slitna på grund av felaktig hantering av gräsklipparen.</li> </ul>	<ul style="list-style-type: none"> <li>▪ Kontakta EGO Kundtjänst för reparation.</li> </ul>
Det kommer inget vatten från tvättporten när du försöker tvätta däcket.	<ul style="list-style-type: none"> <li>▪ Tvättportens snabbfäste är inte ordentligt monterat på tvättporten.</li> </ul>	<ul style="list-style-type: none"> <li>▪ Sätt tillbaka tvättuttagets snabbkoppling tills du hör ett klick efter en fast nedtryckning. Om det inte fungerar, ring till EGO kundtjänst.</li> </ul>
Ett onormalt ljud hörs när man manuellt skjuter på klipparen utan att starta den.	<ul style="list-style-type: none"> <li>▪ Ljudet kommer från magneterna inuti drivmotorn.</li> </ul>	<ul style="list-style-type: none"> <li>▪ Det är normalt och ingen åtgärd krävs.</li> </ul>
Ratten kan inte roteras.	<ul style="list-style-type: none"> <li>▪ Rattenheten är igensatt med skräp.</li> </ul>	<ul style="list-style-type: none"> <li>▪ Kontrollera och ta bort skräpet.</li> </ul>
Gräsklipparen svänger inte vänster/höger när ratten roteras.	<ul style="list-style-type: none"> <li>▪ Fel på elektroniska eller mekaniska komponenter.</li> </ul>	<ul style="list-style-type: none"> <li>▪ Kontakta EGO Kundtjänst för reparation.</li> </ul>
Gräsklipparen stannar inte när gaspedalen släpps.	<ul style="list-style-type: none"> <li>▪ Gaspedalens returväg är igensatt med skräp.</li> </ul>	<ul style="list-style-type: none"> <li>▪ Kontrollera och ta bort skräpet.</li> </ul>
	<ul style="list-style-type: none"> <li>▪ CCS-knappen trycks oavsiktligt under körning. Gräsklipparen är i farthållarläge</li> </ul>	<ul style="list-style-type: none"> <li>▪ Kontrollera om CCS-ikonen är upplyst på LCD-skärmen och avsluta CCS vid behov. Se kapitlet <b>"ANVÄNDA FARTHÅLLARE (CCS)"</b></li> </ul>
CCS-funktionen kan inte aktiveras eller stängas av.	<ul style="list-style-type: none"> <li>▪ CCS-knappen trycks inte in ordentligt.</li> </ul>	<ul style="list-style-type: none"> <li>▪ Tryck på CCS-knappen tills CCS-ikonen tänds på LCD-skärmen eller försvinner från LCD-skärmen.</li> </ul>



PROBLEM	ORSAK	LÖSNING
Gräsklipparen kör inte bakåt när vänster/höger paddel (ar) dras mot föraren.	<ul style="list-style-type: none"><li>▪ Gräsklipparstatusindikatorn visar inte grönt och gräsklipparen är inte klar för körning.</li></ul>	<ul style="list-style-type: none"><li>▪ Följ avsnittet "STARTA GRÄSKLIPPAREN" för att få gräsklipparens statusindikator att visa grönt och gräsklipparen är klar för körning.</li></ul>
	<ul style="list-style-type: none"><li>▪ Vänster/höger paddel (s) är inte dragen ordentligt mot operatören.</li></ul>	<ul style="list-style-type: none"><li>▪ Dra vänster paddel eller höger paddel eller båda paddlarna samtidigt mot operatören tills ett "klick"-ljud hörs.</li></ul>
	<ul style="list-style-type: none"><li>▪ Vänster/höger paddel (ar) hålls inte dragen mot operatören.</li></ul>	<ul style="list-style-type: none"><li>▪ För att köra bakåt måste minst en av paddlarna hållas dragen mot operatören.</li></ul>
	<ul style="list-style-type: none"><li>▪ Vänster/höger paddel (s) är trasig.</li></ul>	<ul style="list-style-type: none"><li>▪ Kontakta en kvalificerad servicetekniker för reparation.</li></ul>

**SE**

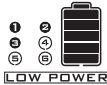
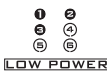


## STATUSREFERENS OCH FELKODER FÖR GRÄSKLIPPARE

LCD-display	Beskrivning	Felkod på LCD-skärm	Statusindikator gräsklippare	Ljudenhet	Orsak	Lösning
	Ikonen LED-lampor visas på LCD-skärmen.	inte tillämpligt	AV	Nej	Strålkastarna, sidolamporna och bakljusen är påslagna av LED-lampomkopplaren.	Det är normal funktion. Ingen handling krävs.
	USB-ikonen visas på LCD-skärmen.	inte tillämpligt	AV	Nej	USB-ikonen upplyser om att en USB-enhet kan arbeta efter att gräsklipparen har startats korrekt.	Det är normal funktion. Ingen handling krävs.
	Ikonen för bränslemätare visas på LCD-skärmen.	inte tillämpligt	AV	Nej	Den indikera genomsnittliga laddningskapacitet för isatta batterier.	Det är normal funktion. Ingen handling krävs.
	Hour Meter Icon visas på LCD-skärmen.	inte tillämpligt	AV	Nej	Den visar den totala körtiden för gräsklipparen, i timmar och kan inte återställas.	Det är normal funktion. Ingen handling krävs.
	Indikatorikonen för belastning visas i ECO-området	inte tillämpligt	AV	Nej	Den indikerar nuvarande belastning hos gräsklipparen	Det är normal funktion. Ingen handling krävs.
	Backikonen visas på LCD-skärmen.	inte tillämpligt	AV	Nej	Det indikerar att gräsklipparen kör bakåt.	Det är normal funktion. Ingen handling krävs.
	Ikonen för säkerhetsnyckel blinkar.	inte tillämpligt	AV	Nej	Säkerhetsnyckeln är inte isatt.	Sätt in säkerhetsnyckeln och tryck sedan på START/STOP-knappen och håll den intryckt för att slå på gräsklipparen.
					Batteriboxenhetens nyckelkontroll är trasig.	Överlåt reparationer till en behörig servicetekniker.

SE





LCD-display	Beskrivning	Felkod på LCD-skärm	Statusindikator gräsklippare	Ljudenhet	Orsak	Lösning
	Ikonen för ett visst batterifack blinkar.	inte tillämpligt	AV	Nej	Ett visst batteri under urladdning är överström.	Ingen handling krävs. Gräsklipparen kan fortsätta att arbeta om det kombinerade batteri AH märkningen, exkluderat batteri med överström, uppfyller kraven. När överströmsbatteriet återgår till det normala, det kommer att gå med i att driva gräsklipparen omedelbart och ikonerna försvinner.
	Ikonen för tomt batterifack blinkar.	inte tillämpligt	AV	Nej	Batterikapaciteten är inte tillräcklig för att gräsklipparen ska fungera.	För att starta gräsklipparen måste du använda tillräckligt många EGO-batterier enligt instruktionerna i avsnittet " <b>FÖSTA/TA BORT BATTERIPAKETET</b> " i den här bruksanvisningen.
	Indikatorn för överbelastning blinkar.	inte tillämpligt	Blinkar röd	Ett pip	<p>Bladmotorn är överbelastad.</p> <p>Gräsklipparutkastaren är igensatt med gräs och skräp.</p> <p>Det finns en störning mellan bladet och gräsklippardäcket.</p>	<p>Höj däckets klipp höjd eller sänk körhastigheten för att minska belastningen på gräsklipparen.</p> <p>Rengör sidoutkastare efter varje användning.</p> <p>Kontakta EGO Kundtjänst.</p>

LCD-dis- play	Beskrivning	Felkod på LCD- skärm	Statusin- dikator gräsklip- pare	Ljudenhet	Orsak	Lösning
	Temperaturikonen blinkar.	inte tillämpligt	AV	Ett pip	Gräsklipparen är överhettad.	Minska belastningen på gräsklipparen genom att höja däckets klipp höjd eller sänka hastigheten hos bladet/körningen. Ta en paus och låt gräsklipparen svalna.
					Gräsklipparen är för kall.	Gör inte upprepade försök som kan skada maskinen. Förvara alltid gräsklipparen och batterierna i varm miljö. Starta om gräsklipparen när den värmts upp.
	Temperaturikonen och upptagna batterifacket blinkar samtidigt.	inte tillämpligt	AV	Nej	Batteripaketet i motsvarande. Numrerat batterifacket är överhettat.	<p>1. Gräsklipparen kan fortsätta att arbeta om det kombinerade batteri AH märkningen, exkluderat överhettat batteri, uppfyller kraven. När det överhettade batteriet återgår till normal temperatur kommer det omedelbart att ansluta för att strömförsörja gräsklipparen.</p> <p>2. Om det kombinerade batteriets Ah-märkning inte är tillräckligt kommer inte gräsklipparen att arbeta innan fler batteripaket satts i det tomma batterifacket.</p> <p>3. Minska belastningen på gräsklipparen genom att höja däckets klipp höjd eller sakta ned klippningen när arbetet återupptas.</p>

LCD-display	Beskrivning	Felkod på LCD-skärm	Statusindikator gräsklippare	Ljudenhet	Orsak	Lösning
	Ikonerna för varje upptagna batterifack, indikatorn låg energi, batterigrafik hos bränslemätaren blinkar varje sekund samtidigt på LCD-skärmen. Det första segmentet hos LED bränslemätaren och statusindikatorn blinkar också.	inte tillämpligt	Blinkar röd	Fortsätter att ljuda tills PTO-omkopplaren trycks ned.	Batteripaketet har låg laddning och gräsklipparen är i Linka-hemläge.	Sluta arbeta och kör till batteriladdningsområdet. <b>NOTERA:</b> När gräsklipparen är i Linka-hemläget kommer bladen automatiskt att växla till låg rotationshastighet utan att klippa gräs och under tiden kommer ljudindikatorn att fortsätta ljuda.. Operatören ska trycka PTO-omkopplaren nedåt för att stänga av bladmotorerna. Ljudindikatorn kommer att sluta ljuda efter att bladet stoppat.
	Ikonen för varje upptagen batterifack och låg strömindikator blinkar varje halv sekund, och den första LED-bränslemätaren blinkar rött varje halv sekund.	inte tillämpligt	Blinkar röd	Fortsätter att ljuda	Batteripaketet är nästa helt tomt.	Gräsklipparen slutar att arbeta omedelbart. Operatören skall transportera gräsklipparen till batteriladdningsområdet för laddning.
	Ikonen för automatisk parkering blinkar på LCD-skärmen.	inte tillämpligt	AV	Fortsätter att ljuda	Gräsklipparen är parkerad i en sluttning och föraren lämnar gräsklipparen utan att ställa in parkeringsbromspedalen i bromsläge.	Ställ in bromspedalen i bromspositionen. Ikonen för automatisk parkering kommer att slockna och ljudindikatorn slutar att ljuda.
	Bromspedalikonen visas på LCD-skärmen	inte tillämpligt	AV	Nej	Parkeringsbromspedalen är inställd i bromspositionen.	Släpp den innan gräsklipparen startas.

**SE**

**NOTERA:** Om en felkod visas på LCD-skärmen, ta bort alla batteripaket och sätt i dem igen några minuter senare. Om detta inte löser problemet, följ felkods felsökningen nedan.

LCD-display	Beskrivning	Felkod på LCD-skärm	Statusindikator gräsklippare	Ljudenhet	Orsak	Lösning
	Ikonen för sätesensor visas på LCD-skärmen	inte tillämpligt	AV	Nej	Operatören lämnar sätet eller säkerhetslåssystemet för sätes säkerhet är frångått.	Om operatören sitter i sätet och ikonen lyser, sluta att använda gräsklipparen omedelbart och kontrollera sätets anslutning. Om sätets anslutning med gräsklipparen är bekräftad korrekt, kontakta en kvalificerad servicetekniker för reparation.
	PTO-omkopplarens ikon blinkar	inte tillämpligt	AV	Nej	Bladmotorn avbröts under arbetet och PTO-omkopplaren är inte inställd i avstängd position.	Innan du startar om gräsklipparen, tryck ner PTO-omkopplaren för att stänga av bladmotorerna. Se sektionen <b>"FELSÖKNING"</b> i denna manual för referens.
	Ikonen för energiregenerering blinkar ibland.	inte tillämpligt	AV	Nej	Den kinetiska energin som genereras under bromsningen eller vid körning utför konverteras till elektricitet för att ladda batteripaketet.	Det är normal funktion. Ingen handling krävs.
	CCS-ikonen blinkar.	inte tillämpligt	AV	Nej	Funktionen CCS (cruise control system) har misslyckats.	CCS-funktionen kunde inte ställas in när gräsklipparen kör med mycket låg hastighet eller kör bakåt.

SE

LCD-display	Beskrivning	Felkod på LCD-skärm	Statusindikator gräsklippare	Ljudenhet	Orsak	Lösning	
Se "Felkod"	Vänster drivmotor roterar inte.	PCBA kontrollerade vänstra motorn fallerar.	413	AV	Ett pip	PCBA-fel	Överlåt reparationer till en behörig servicetekniker.
		Kontakten (trefas, strömsladd) för anslutning till vänstra drivmotorn med motsvarande PCBA har lossnat.	317	AV	Ett pip	Lös anslutning	
		Kontakt (sex stift. signalledning) för anslutning till vänstra drivmotorn med motsvarande PCBA har lossnat.	301	AV	Ett pip	Lös anslutning	
		Vänster drivmotor fallerar.	317	AV	Ett pip	Motorfel	
Se "Felkod"	Höger drivmotor roterar inte.	PCBA kontrollerade högra motorn fallerar.	313	AV	Ett pip	PCBA-fel	Överlåt reparationer till en behörig servicetekniker.
		Kontakten (trefas, strömsladd) för anslutning till höger drivmotorn med motsvarande PCBA har lossnat.	417	AV	Ett pip	Lös anslutning	
		Kontakt (sex stift. signalledning) för anslutning till högra drivmotorn med motsvarande PCBA har lossnat.	401	AV	Ett pip	Lös anslutning	
		Höger drivmotor fallerar.	417	AV	Ett pip	Motorfel	

**SE**



LCD-display	Beskrivning	Felkod på LCD-skärm	Statusindikator gräsklippare	Ljudenhet	Orsak	Lösning	
Se "Felkod"	Vänster bladmotor roterar inte.	PCBA kontrollerade vänstra bladmotorn fallerar.	607	inte tillämpligt	Ett pip	PCBA-fel	Överlåt reparationer till en behörig servicetekniker.
		Kontakten (trefas, strömsladd) för anslutning till vänstra bladmotorn med motsvarande PCBA har lossnat.	509	inte tillämpligt	Ett pip	Lös anslutning	Inspektera bladen först. Om den är lös, dra åt skruven med rekommenderat vridmoment. I annat fall låt en kvalificerad servicetekniker utföra reparationer.
		Vänster bladmotor fallerar	509	inte tillämpligt	Ett pip	Motorfel	
Se "Felkod"	Höger bladmotor roterar inte.	PCBA kontrollerade höger bladmotorn fallerar.	507	inte tillämpligt	Ett pip	PCBA-fel	Överlåt reparationer till en behörig servicetekniker.
		Kontakten (trefas, strömsladd) för anslutning till högra drivmotorn med motsvarande PCBA har lossnat.	609	inte tillämpligt	Ett pip	Lös anslutning	Inspektera bladen först. Om den är lös, dra åt skruven med rekommenderat vridmoment. I annat fall låt en kvalificerad servicetekniker utföra reparationer.
		Höger bladmotor fallerar	609	inte tillämpligt	Ett pip	Motorfel	
Se "Felkod"	Gaspedalen fungerar inte	311/ 411	AV	Ett pip	PCBA-fel	Överlåt reparationer till en behörig servicetekniker.	
		307/ 407			Lös anslutning		
Se "Felkod"	Ratten fungerar inte	312/ 412	AV	Ett pip	PCBA-fel	Överlåt reparationer till en behörig servicetekniker.	
					Lös anslutning		

LCD-display	Beskrivning		Felkod på LCD-skärm	Statusindikator gräsklippare	Ljudenhet	Orsak	Lösning
Se "Felkod"	Parkeringsbromsen fungerar inte, gräsklipparen kan inte köras.	Parkeringsbromsen PCBA, som finns i främre ramenheten är trasig.	309/409	AV	Ett pip	PCBA-fel	Överlåt reparationer till en behörig servicetekniker.
		Omkopplaren för parkeringsbromsen är trasig.	801	AV	Ett pip	Kabel/omkopplarfel	
AV	Fel på laddningsporten		inte tillämpligt	Fast RÖD	inte tillämpligt	Laddningsuttaget är i öppen krets.	Överlåt reparationer till en behörig servicetekniker.
			inte tillämpligt	Fast RÖD	inte tillämpligt	Det finns ingen strömförsörjning	Kontrollera vägguttaget om där finns 220V-240V strömförsörjning och om uttaget är bra.
			inte tillämpligt	Fast RÖD	inte tillämpligt	Säkringens har utlösts.	Överlåt reparationer till en behörig servicetekniker.
Se "Felkod"	Laddningsuttagsfel		204	inte tillämpligt	Ett pip	Laddningsuttaget är i öppen krets.	Överlåt reparationer till en behörig servicetekniker.
Se "Felkod"	Batteriboxenheten fungerar inte		217	inte tillämpligt	Ett pip	Strömkällan från batteriboxenheten är trasig. LED-strålkastarna och USB fungerar inte.	Överlåt reparationer till en behörig servicetekniker.
			310/410	AV	Ett pip	Anslutningen mellan typ C kablar till batteriboxenheten och andra typ C kablar hos gräsklipparen arbetar inte.	
			201/202/203	AV	Ett pip	BMS hos batteriboxenheten är trasig.	

**SE**

LCD-display	Beskrivning	Felkod på LCD-skärm	Statusindikator gräsklippare	Ljudenhet	Orsak	Lösning
Se "Felkod"	Fel på start/stoppomkopplaren	314/414	AV	Ett pip	Fel hos omkopplarens PCBA eller dålig kabelanslutning för Start/stoppomkopplaren.	Överlåt reparationer till en behörig servicetekniker.
Se "Felkod"	Fel på LCD-skärm	315/415	AV	Ett pip	LCD-enheten är trasig eller dålig kabelanslutning för LCD-enheten.	Överlåt reparationer till en behörig servicetekniker.

**SE**

## GARANTI

### EGO GARANTIPOLICY

Besök webbsidan [egopowerplus.com](http://egopowerplus.com) för fullständiga villkor för EGO garantipolicy.

## LUE KAIKKI OHJEET!



LUE KÄYTTÖOPAS

## TURVALLISUUSSYMBOLI

Turvallisuussymbolien tarkoituksena on kiinnittää huomiota mahdollisiin vaaroihin. Turvallisuussymbolit ja niiden selitykset on syytä lukea tarkkaan ja ymmärtää perusteellisesti. Varoitussymbolit eivät yksin poista vaaran mahdollisuutta. Niiden antamat ohjeet ja varoitukset eivät korvaa kunnollisia onnettomuuksien ehkäisytoimenpiteitä.

**VAROITUS:** Lue ja ymmärrä tämän käyttöoppaan kaikki turvallisuusohjeet, mukaan lukien turvallisuusvaroitussymbolit, kuten "VAARA", "VAROITUS" ja "HUOMIO" ennen laitteen käyttämistä. Alla olevien ohjeiden noudattamatta jättäminen saattaa aiheuttaa sähköiskun, tulipalon ja/tai vakavan henkilövahingon.

FI

## SYMBOLIEN MERKITYKSET

Tällä sivulla kuvataan ja esitellään turvallisuussymbolit, jotka saattavat esiintyä tässä tuotteessa. Lue, ymmärrä ja noudata kaikkia laitteen ohjeita ennen kuin yrität koota sen tai käyttää sitä.

## TURVALLISUUSSYMBOLIT

	Turvallisuushälytys		Lue ja ymmärrä käyttöopas
	Käytä suojalaseja		Säilytä turvallisuusohjeet
	VAARA – jyrkkä rinne		VAARA – pidä sivulliset etäällä teristä
	Älä koskaan kuljeta lapsia		Katso taaksepäin peruuttaessasi
	VAROITUS – Älä käytä tätä konetta yli 12° rinteissä		VAARA – sinkoutuvia kohteita
	VAROITUS – PIDÄ KÄTESI JA JALKASI ETÄÄLLÄ		Taattu äänitehotaso. Melupäästöt ympäristöön Euroopan yhteisön direktiivin mukaiset.



Älä astu



Tämä tuote vastaa sovellettavia EU-direktiivejä



Tasavirta

kPa Kilopascal

V Voltti

in Tuuma

Nm Newtonmetri

°C Celsius

km/t Kilometriä per tunti



Vanhoja sähkölaitteita ei saa hävittää kotitalousjätteen mukana. Vie laite valtuutettuun kierrätyslaitokseen.



HUOMIO – Älä tuijota käyttövaloa.



Tämä tuote vastaa sovellettavaa UK-lainsäädäntöä.

RPM

Kierrosta minuutissa

m

Metri

cm

Senttimetri

mm

Millimetri

kg

Kilogramma

IPX4

Kotelointiluokka

FI

## TURVALLISUUSSYMBOLIT



Tiedot on huomioitava



Ilmoitettu toiminta pysähtyy

## TEKNISET TIEDOT

Jännite	56 V	
Kannen koko	107 cm	
Pyörän koko	Etu	279,4 x 101,6 – 127 mm
	Taka	457,2 x 241,3 – 203,2 mm
Kylmä rengaspaine	Etu	222,1 kPa
	Taka	110,3 kPa
Kääntösäde	0	
Terän nopeus (RPM)	2400; 2600; 2800; 3000	

Suurin käyttönopeus	Eteenpäin	4,8 km/t, 8,1 km/t, 9,7 km/t, 11,3 km/t (12,8 km/t liikkumistilassa)
	Taaksepäin	Enintään 5,6 km/t
Lataus	Laturi (lisävaruste)	CHV1600E
	Verkkolaite (lisävaruste)	ACA1000
	Latauslämpötila-alue	5 – 40°C
Leikkuukorkeuden säätö (10 asentoa)		25 – 100 mm
Käyttölämpötila		0 – 40°C
Varastointilämpötila		-20 – 70°C

Paino (ilman akkua)	196 kg	
Mitattu äänitehotaso $L_{WA}$	96,44 dB(A) K=0,68 dB(A)	
Äänenpaineen taso käyttäjän korvien tasolla $L_{PA}$	84,3 dB(A) K=3,0 dB(A)	
Taattu äänentehotaso $L_{WA}$ (mitattu 2000/14/EY mukaisesti)	100 dB (A)	
Tärinä $a_h$	Käsi	1,221 m/s <sup>2</sup> K=1,5 m/s <sup>2</sup>
	Runko	0,568 m/s <sup>2</sup> K=1,5 m/s <sup>2</sup>

- Ilmoitettu tärinän kokonaispäästöarvo on mitattu standarditestausmenetelmän mukaisesti, ja sen avulla voidaan vertailla työkaluja keskenään;
- Ilmoitettua tärinän kokonaispäästöarvoa voidaan käyttää myös altistumisen alustavaan arviointiin.

**HUOMAUTUS:** Työkalun käytön aikana mitattu todellinen tärinäpäästöarvo voi poiketa ilmoitetusta kokonaispäästöarvosta työkalun käyttötavasta johtuen; käyttäjän suojaamiseksi tulee käyttää käsineitä ja kuulosuojaimia varsinaisissa käyttöolosuhteissa.

## SUOSITELLUT LISÄVARUSTEET

**VAROITUS:** Käytä vaihto-osina vain identtisiä varaosia. Sellaisten osien käyttö, jotka eivät vastaa alkuperäisiä laitemäärityksiä, saattaa aiheuttaa vääränlaisen toiminnan ja heikentää turvallisuutta.

OSAN NIMI	MALLIN NUMERO
Vakioterä	AB4200
High Lift -terä	AB4201
Silppuriosa	AMP4200
Ruohopussisarja	ABK4200-A
Takapuskuri	AMB1000
Tavaralaatikko	AMG1000
Aurinkosuoja	AMS1000

## KUVAUS

### TUNNE RUOHONLEIKKURISI (kuva A1)

- Istuin
- Latausliitäntä
- Tehonlähde
- LED-takavallo
- Säilytyslokero
- LED-sivuvalo
- Takapyörä (ajopyörä)
- Pesuportti
- Leikkuulaite
- Kannen suojus
- Kannatinpyörä
- Etupyörä
- Pysäköintijarrupoljin
- Päiväajovalot
- LED-etuvalot
- Kaasupoljin
- Jalkataso
- Sivupoistokouru
- Leikkuulaitteen korkeuden säätövipu
- Istuimen jousituksen säätönappi
- Ohjauspyörä
- Oikean sivun laatikko
- Istuimen asennon säätövipu
- PTO-kytkin
- Käynnistys-/pysäytyspainike
- Turva-avain
- Puhelimen säilytyspaikka
- Mukipidikkeet
- Vasen kahva
- Ruohonleikkurin tilan merkkivalo
- LCD-näyttö
- Oikea kahva
- Terän nopeuden säätöpainike
- CCS-painike

35. Ajotilapainike
36. LED-valokytkin
37. Ajonopeuden säätöpainike
38. Tehonlähteen kannen vapautuspainike
39. Tehonlähteen kansi
40. Tehonlähde kuudella akkulokerolla
41. Akun vapautuspainike
42. Vetokoukku
43. Lisävarusteen asennuskansi
44. USB-portti

**FI**

### TUNNE LCD-NÄYTTÖ (kuva A2)

Katso lisätietoa LCD-näytön kuvakkeista ja merkkipaloista osiosta ”**RUOHONLEIKKURIN TILA JA VIKAKOODIT**”.

1. Taaksepäin kuvake
2. CCS-kuvake
3. Turva-avainkuvake
4. LED-valojen kuvake
5. Automaattisen pysäköinnin kuvake
6. USB-kuvake
7. Terien nopeuden merkkivalo
8. Turvalaitteen tilan merkkivalo
9. Käyttötuntimittari
10. Tyhjän akkulokeron kuvake
11. Lämpötilakuvake
12. Varatun akkulokeron kuvake
13. Ajotila
14. Vikakoodimerkkivalo
15. Ylikuormituksen merkkivalo
16. Alhaisen varauksen merkkivalo
17. Akkutehomittari
18. Kuormituksen merkkivalo
19. Ajonopeuden merkkivalo

## PAKKAUKSEN PURKAMINEN

**HUOMAUTUS:** Älä hävitä pakkausmateriaalia ennen kuin olet tarkastanut tuotteen huolellisesti ja käyttänyt sitä tyydyttävästi. Jos pakkausluettelossa mainittuja osia puuttuu, ota välittömästi yhteys EGO-huoltoon.

**HUOMAUTUS:** Lukuun ottamatta alla olevassa pakkausluettelossa olevia työkaluja, kaikki muut oppaissa mainitut työkalut ovat vain suosituksia eivätkä ne sisälly pakkaukseen.

**HUOMAUTUS:** Älä poista ohjauspyörän alla olevaa vaahtomuovikappaletta ennen kuin ohjauspyörä on asennettu oikein. Tärinä liikkeen aikana voi vaurioittaa ohjauspyörää.

### PAKKAUSLUETTELO (KUVA B4)

B-1	Paikallaan kääntyvä ajettava ruohonleikkuri	B-2	Istuin
B-3	Silppuriosa	B-4	Kolokantaruuvit (2 varalle)
B-5	Kuusioavain	B-6	Hylsyavain
B-7	Leuka-avain	B-8	Turva-avaimet
B-9	Pesuportin pikaliitin	B-10	Käyttöoppaat

## KOKOAMINEN

### ISTUIMEN ASENTAMINEN (kuvat C1–C4)

**VAROITUS:** Turvalukitusjärjestelmää ei saa irrottaa tai ohittaa. Muutoin ruohonleikkuri saattaa toimia odottamattomalla tavalla ja aiheuttaa henkilövahingon.

**HUOMAUTUS:** Ruohonleikkuri saattaa turvallisuuden takia lopettaa ajamisen, jos istuinkytkin irrotetaan ajon aikana. Katso tästä lisätietoa osiosta ”**VIANMÄÄRITYS**”.

C1-1	Liitäntä	C1-2	Pistoke
C1-3	Johto	C2-1	Istuimen käsinoja
C2-2	Jousialusta	C2-3	Kuusioavain



C2-4	Kolokantaruuvit	C2-5	Istuimen asennon säätövipu
C3-1	Teräskiskot	C3-2	Kuusioavain
C3-3	Kolokantaruuvit	C4-1	Koukku

### OHJAUSPYÖRÄN ASENNUS (kuvat C5–C6)

C5-1	Lukituspultti	C5-2	Tanko
C6-1	Kohdistuskappale	C6-2	Aukko
C6-3	Ohjauspyörän suoja		

### SILPPURIOSAN KIINNITTÄMINEN (kuva C7)

C7-1	Sivupoistokouru	C7-2	Silppuriosa
C7-3	Liikkuva jousi		

## SÄÄTÖ

### ENNEN SÄÄTÖÄ (kuva D1)

### LEIKKUUKORKEUDEN SÄÄTÄMINEN (kuva D2)

### KANNATINPYÖRIEN SÄÄTÄMINEN (kuvat D3–D6)

D3-1	Kannatinpyörä	D5-1	Mutteri
D5-2	Korvakkeen pultti	D6-1	Leikkuulaitteen korkeuden säätölevy

### ISTUIMEN SÄÄTÄMINEN (kuva D7)

D7-1	Istuimen asennon säätövipu	D7-2	Istuimen jousituksen säätönuppi
------	----------------------------	------	---------------------------------

### OHJAUSPYÖRÄN SÄÄTÖ (kuva D8)

D8-1	Lukituspultti	D8-2	Tanko
D8-3	Kohdistuskappale	D8-4	Aukko

## KÄYTTÖ

### ENNEN KÄYTTÖÄ (kuva E1)

### SEISONTAJARRUN ASETTAMINEN (kuva E2)

E2-1	Vapautettu asento	E2-2	Jarrutusasento
------	-------------------	------	----------------

**HUOMAUTUS:** Älä koskaan paina seisontajarrupoljinta hidastaaksesi nopeutta. Kun seisontajarrupoljinta on painettu tarpeeksi, mutta ei täydelliseen jarrutusasentoon, ruohonleikkuri lopettaa liikkumisen tasaisella pinnalla, mutta jos tämä tapahtuu rinteessä, ruohonleikkuri voi liukua rinnettä alaspäin.

### AKUN KIINNITTÄMINEN/POISTAMINEN (kuvat E3–E6)

Ruohonleikkuri vaatii käynnistyäkseen vähintään 15 Ah:n EGO-akut (2 X BA4200T/BA4200T). Parhaan suorituskyvyn saamiseksi suositellaan EGO-akkuja, joiden yhteiskapasiteetti on vähintään 30 Ah.

E3-1	Leikkuulaitteen vapautuspainike	E5-1	Akun vapautuspainike
------	---------------------------------	------	----------------------

### RUOHONLEIKKURIN LATAAMINEN

Käytä vain suositeltujen akkujen ja latureiden kanssa.

- Lataa akut erikseen (kuva E7)

**HUOMAUTUS:** Katso tarkat ohjeet vastaavista akun ja laturin käyttöoppaista.

- Lataa akut latausportin kautta (kuva E8–E10)

E10-1	Pölysuojus	E10-2	Latausliitäntä
-------	------------	-------	----------------

### TARKISTA TURVALUKITUSJÄRJESTELMÄ

- Kannen teräjärjestelmän testaaminen (kuvat E11–E12)
- Ajojärjestelmän testaaminen (kuvat E13–E14)

Jos leikkuulaitejärjestelmä ja/tai ajojärjestelmä ei pysähdy, kun käyttäjä nousee istuimelta ylös, tarkista, että istuimen pistokeliitäntä on kunnolla yhdistetty. Jos syytä ei pystytä määrittämään, ota yhteys EGO-asiakaspalveluun välittömästi.

## TARKISTUSLISTA ENNEN KÄYTTÄMISTÄ

- Varmista, ettei työskentelyalueella ole lapsia, sivullisia tai lemmikkieläimiä.
- Tyhjennä alue kohteista, jotka voivat sinkoutua ruohonleikkurin teristä.
- Puhdista roskat ruohonleikkurista.
- Tarkista löystyneet kiinnikkeet.
- Tarkista, että kaikki suojukset ovat paikoillaan ja toimivat kunnolla.
- Tarkista silmämääräisesti, että renkaissa on ilmaa.
- Tarkista jarrun toiminta.
- Säädä leikkuulaitteen korkeus nurmikolle parhaiten sopivaan leikkuuasentoon ja säädä kannatinpyörät sen mukaan.
- Säädä istuimen asentoa, ja varmista, että molemmat polkimet ovat ulottuvillasi.
- Säädä ohjauspyörä haluttuun asentoon tarvittaessa.
- Tarkista akun varaustaso.
- Testaa turvalukitusjärjestelmä.

FI

## RUOHONLEIKKURIN KÄYNNISTYS (kuvat E15–E16)

**VAROITUS:** Vältä äkillisiä käynnistyksiä, pysäytyksiä ja kääntymisiä sekä liian kovaa nopeutta etenkin silloin, kun opettelet vasta käyttämään ruohonleikkuria. Ruohonleikkuri voi kääntyä nopeasti, mikä voi aiheuttaa hallinnan menetyksen ja johtaa vakavaan henkilövahinkoon ja/tai vaurioon.

**VAROITUS:** Ennen ruohonleikkurin käynnistämistä tarkista ja varmista, että terät kytkeytyvät pois päältä 5 sekunnin kuluessa, kun painat PTO-kytkintä alaspäin. Jos terät eivät pysähdy, älä käytä ruohonleikkuria. Ota välittömästi yhteyttä EGO-asiakaspalveluun.

**HUOMAUTUS:** Noudata kuvia E17 ja E18 käyttäaksesi hitainta ajonopeutta ja VAKIO-ajotilaa siihen saakka, kunnes osaat käyttää ruohonleikkuria täydellisesti kaikissa tilanteissa.

Ruohonleikkuri tallentaa ja näyttää edellisen ajotilan, ajonopeuden ja ohjauspyörän kalibroinnin uudelleen käynnistettäessä.

## AJOTILAN SÄÄTÖ (kuva E17)

- **HALLITTU:** Pienempi kiihtyvyys, vähemmän herkkä käsittely ja pieni kääntymisnopeus suojaavat ruohoa, aloitteleville käyttäjille.
- **VAKIO:** Sopii päivittäiseen käyttöön.
- **TEHOKAS:** Suurempi kiihtyvyys, tarkka käsittely ja jyrkkä kääntyminen maksimoivat leikkuutehokkuuden, innokkaille leikkaajille.

**HUOMAA:** Ajotilaa ei voi säätää ajamisen aikana. Toiminto aktivoituu vain, kun ruohonleikkurin pyörät ovat pysähtyneet.

## Ajonopeuden säätö (kuva E18)

**HUOMAA:** Kun olet "TURBO"-tilassa, paina "–", ajonopeus palaa edelliseen tilaan.

## Terän nopeuden säätö (kuva E19)

### LED-valot

- LED-valokytkin ohjaa ajovaloja, sivuvaloja ja takavalvoja.
- Pidä ajovalot päällä aina ajamisen aikana.
- Jos takavalot ovat sammutettuina peruutettaessa, ne vilkkuvat sivullisten varoittamiseksi. Jos takavalot ovat päällä peruutettaessa, ne jäävät päälle.
- Kaikki valot sammuvat automaattisesti, kun ruohonleikkuri sammuu automaattisesti silloin, kun se on ollut tietyn ajan käyttämättä.

### USB-portti

**HUOMAUTUS:** USB-portti tuottaa 5 voltin DC-lataustehon yhteensä 1,5 ampeeria ja se saa virtaa vain ruohonleikkurin käynnistyksen yhteydessä

## RUOHONLEIKKURIN PYSÄYTTÄMINEN (kuva E20)

**HUOMAUTUS:** Ruohonleikkuri sammuu automaattisesti, jos mitään toimintaa ei ole 60 minuuttiin.

### Hätäkäyttötila

Kun akun lataus laskee kriittisen alhaiseksi, ruohonleikkuri siirtyy hätäkäyttötilaan säästääkseen tarpeeksi virtaa matkaan takaisin latausalueelle.

- Terät kytkeytyvät hitaaseen pyörimisnopeuteen, jolla voi leikata vain hyvin vähän ruohoa. Kun terät kohtaavat korkean ja tiheän ruohon, ne lakkaavat pyörimästä. Ääni-ilmaisain kuuluu (piippaus) ajoittain.
- Ruohonleikkurin tilan merkkivalo vilkkuu punaisena sekunnin välein ja sekä alhaisen varauksen merkkivalo että akkutehomittarin akkugrafiikka vilkkuvat.

Käyttäjän pitää:

- Paina PTO-kytkin alaspäin sammuttaaksesi terämoottorit. Äänimerkki lakkaa kuulumasta, kun terämoottorit pysähtyvät.
- Lopeta työskentely ja siirry latausalueelle mahdollisimman pian. Enimmäismatka, jonka ruohonleikkuri voi liikkua on 1000 metriä.

Kun akku on lähes tyhjä, jokainen akun varausilmalämpötila ja alhaisen varauksen merkkivalo vilkkuvat puolen sekunnin välein. Ruohonleikkuri lopettaa toiminnan välittömästi. Käyttäjän on kuljetettava ruohonleikkuri latausalueelle latausta varten.

**HUOMAUTUS:** Jos ruohonleikkuri vaatii käsin työntämistä, varmista, että akut on irrotettu ja seisontajarrupoljin on vapautettu jarrutusasennosta.

## RUOHONLEIKKURIN AJAMINEN (kuva E21)

**VAARA:** Pysy vähintään kahden leikkuuleveyden päässä ojista, pudotuksista tai vesistä. Etupyörät voivat pyöriä, kun ruohonleikkuri pysäytetään, vaikka jarru olisi painettuna, ja se voi aiheuttaa ruohonleikkurin kulkemisen reunan yli tai putoamisen veteen, mikä johtaa kuolemaan tai vakavaan henkilövahinkoon.

**VAROITUS:** Ole varovainen ja tarkista ennen peruuttamista, mitä ruohonleikkurin takana on. ÄLÄ leikkaa peruuttamalla, ellei se ole ehdottoman tarpeellista. Katso aina alas ja taakse ennen peruuttamista ja peruuttamisen aikana, jotta varmistat ettei leikkuualueella ole lapsia, sivullisia tai lemmikkieläimiä. Muista, että sekunnin sadasosan huolimattomuus voi aiheuttaa kuoleman tai vakavan loukkaantumisen.

**VAROITUS:** Älä aja koneella yleisillä teillä.

**VAROITUS:** Jos tulee tukos tai leikkuri osuu vieraaseen esineeseen, sammuta moottorit ja poista akut. Poista ruohot, lehdet, lika ja muut roskakertymät. Tarkista ruohonleikkuri huolellisesti vaurioiden varalta ja korjaa vauriot ennen ruohonleikkurin uudelleen käynnistämistä tai käyttämistä.

## VAKIONOPEUSSÄÄTIMEN (CCS) KÄYTTÄMINEN

### CCS:n aktivointi ajon aikana (kuva E22)

**HUOMAA:** LCD-näytössä näkyvä ajonopeustaso ei välttämättä vastaa tarkasti ruohonleikkurin todellista ajonopeutta vakionopeussäätimessä. Paina yhtä nopeuden säätöpainikkeista ("←" tai "→") "päivittääksesi" ja säädä ajonopeustaso LCD-näytössä.

**Voit poistua CCS:stä ja pysäyttää ruohonleikkurin** valitsemalla yhden neljästä tavasta:

- Paina kaasupoljinta kevyesti ja vapauta se sitten.
- Vedä vasenta/oikeaa kahvaa käyttäjää kohti ja vapauta sitten.
- Paina seisontajarrupoljinta.
- Paina CCS-painiketta.

**HUOMAA:** Painamalla kaasupolkimen pohjaan asti saavutat nykyisen CCS-ajonopeuden, jatka painamista. CCS-toiminto pysähtyy ja ruohonleikkuri jatkaa ajamista nykyisellä nopeudella.

## HUOLTAMINEN

**VAROITUS:** Käytä aina sellaisia suojalaseja, joissa on sivusuojat. Tämän ohjeen noudattamatta jättäminen saattaa aiheuttaa esineiden sinkoutumisen silmiin ja mahdollisen vakavan henkilövahingon.

**VAROITUS:** Suojaa aina kätesi paksuilla käsineillä tai käärimällä leikkauspinnat riepuihin tai muihin materiaaleihin silloin, kun teet kunnossapitotoimia ruohonleikkurin terälle. Poista aina turva-avain ja akut, kun huollat tai kuljetat ruohonleikkuria.

FI

Kunnossapitovälit	Huoltotoimenpide
Ennen jokaista käyttökertaa tai päivittäin	<ul style="list-style-type: none"> <li>Tarkista turvalukitusjärjestelmä.</li> <li>Tarkista silmämääräisesti, että renkaissa on ilmaa.</li> <li>Tarkista terät.</li> <li>Tarkista ennen jokaista käyttökertaa laite kokonaan vahingoittuneiden, puuttuvien tai löystyneiden osien varalta, kuten sivupoistokouru, ruuvit, mutterit, pultit, kannet ym., ja varmista, että kaikki suojukset ovat paikoillaan ja toimivat kunnolla.</li> <li>Tarkista ja varmista, että kaasupoljinta voidaan painaa ja se voidaan vapauttaa kunnolla.</li> <li>Tarkista ohjauspyörän vaimennin. Ohjauspyörää tulee kääntää tietyllä vastuksella.</li> </ul>
Jokaisen käyttökerran jälkeen	<ul style="list-style-type: none"> <li>Puhdista ruohonleikkurin leikkuulaite.</li> </ul>
25 tunnin välein	<ul style="list-style-type: none"> <li>Tarkista rengaspaine.</li> </ul>
100 tunnin välein	<ul style="list-style-type: none"> <li>Tarkista takapyörät. Varmista, että kaikki pyöränmutterit on kiristetty suositeltuun momenttiin.</li> </ul>
200 tunnin välein	<ul style="list-style-type: none"> <li>Tarkista etupyörät. Varmista, että ne kääntyvät vapaasti.</li> </ul>
Ennen varastointia	<ul style="list-style-type: none"> <li>Poista akut ruohonleikkurista.</li> <li>Irrota turva-avain ruohonleikkurista.</li> <li>Suorita kaikki yllä luetellut huoltotoimenpiteet ja puhdista ruohonleikkuri perusteellisesti.</li> <li>Tarkista koko tuote vaurioituneiden, puuttuvien tai löystyneiden osien varalta, vaihda tai kiristä vastaavat osat ennen varastointia.</li> </ul>

Vuosittain	<ul style="list-style-type: none"> <li>Tarkista seisontajarrupoljin. Poista akku ruohonleikkurista ja aseta seisontajarrupoljin jarrutusasentoon. Työnnä ruohonleikkuria käsin eteenpäin ja tarkista, liikkuuko ruohonleikkuri. Jos se liikkuu, vie se pätevälle huoltoteknikolle huollettavaksi.</li> </ul>
------------	--

## YLEINEN KUNNOSSAPITO

### Ruohonleikkurin kotelon puhdistaminen (kuvat F1–F2)

### Ruohonleikkurin leikkuulaitteen puhdistaminen pesuporttia käyttäen (kuvat F3–F4)

F2-1	Pesuportti	F2-2	Pesuportin pikaliitin
F2-3	Puutarhaletku		

**HUOMAUTUS:** Kun olet lopettanut puhdistuksen, sammuta ruohonleikkuri kokonaan ja irrota sitten puutarhaletku ja pikaliitin.

## RUOHONLEIKKURIN LEIKKUULAITTEEN JA LEIKKUUTERIEN KUNNOSSAPITO

### VALMISTELU (kuva G1)

### Ruohonleikkurin kannen poistaminen (kuvat G2–G3)

G2-1	Moottorikaapeli	G2-2	Jousikannatus
G2-3	Saksisokka		

**HUOMAUTUS:** Irrota kaikki moottorikaapelit ja saksisokat, kun poistat ruohonleikkurin leikkuulaitteen.

### Leikkuuterien vaihtaminen (kuvat G4–G6)

G4-1	Vakauslaite	G5-1	Pultti
G5-2	Aluslevy	G5-3	Terä
G5-4	Laippa	G5-5	Moottorin kara

### Ruohonleikkurin leikkuulaitteen tasapainotus

#### a. Milloin tasapainotus tehdään (kuvat G7–G9)

#### b. Ennen tasapainotusta

- Kylmien renkaiden paineen tarkistaminen (kuva G10)

- Tarkista leikkuuterät. Poista ja vaihda kuluneet, murtuneet ja/tai taipuneet terät tarvittaessa.
- c. Tasapainotuksen valmistelu (kuva G11)**
- d. Tasapainotuksen suorittaminen**
- Sivusuuntaisen säädön tekeminen (kuva G12)
  - Etu-takasäädön tekeminen (kuva G13)

## RUOHONLEIKKURIN SEURANTAJÄRJESTELMÄN KALIBROINTI (kuvat H1–H2)

**HUOMAUTUS:** Merkkiääni-ilmaisimella annetaan yhden merkkiäänin, kun kalibrointi alkaa ja kun kalibrointi päättyy.

**HUOMAA:** Jollekin ajotilalle ("HALLITTU", "VAKIO", "TEHOKAS") suoritettu kalibrointi ei ehkä ole käytettävissä kahdessa muussa ajotilassa. Kalibroi ohjauspyörä kussakin ajotilassa erikseen tarpeen mukaan.

## RUOHONLEIKKURIN TEHDASASETUSTEN PALAUTTAMINEN (kuva I)

**HUOMAUTUS:** Merkkiääni-ilmaisimella annetaan yhden merkkiäänin, kun palauttaminen alkaa ja kun palauttaminen päättyy.

**HUOMAA:** Kun nollaus onnistuu, alla olevat asetukset palautuvat alkuperäisiin tehdasasetuksiin:

- ajotila
- ajonopeus
- ohjauspyörän kalibrointi

## VARASTOINTI JA KULJETTAMINEN

### RUOHONLEIKKURIN KULJETTAMINEN (kuvat J1–J5)

**HUOMAUTUS:** Kiinnitä ruohonleikkuri kuljetuksen ajaksi tarpeen mukaan hihnoilla tai vaijereilla, jotta se ei pääse liikkumaan.

### VARASTOINTI (kuvat K1–K2)

**HUOMAUTUS:** poista akut ja säilytä akut niiden käyttöohjeiden mukaisesti.

Puhdista ja tarkista ruohonleikkuri ennen varastointia osioiden "RUOHONLEIKKURIN PUHDISTAMINEN" ja "SUOSITELTU KUNNOSSAPITOAIKATAULU".

### Ympäristönsuojelu



WEEE (Sähkö- ja elektroniikkalaiteromu) Älä hävitä sähkölaitteita, akkulaturia tai akkua/ladattavia paristoja kotitalousjätteen seassa!

Vie tämä tuote hyväksytyyn kierrätyspaikkaan tai anna se erilliseen keräilyyn. Sähkötyökalut tulee palauttaa asianmukaiseen ympäristöstävälliseen kierrätyslaitokseen.

FI


## VIANMÄÄRITYS

ONGELMA	SYY	RATKAISU
Paikallaan kääntyvä ajettava ruohonleikkuri ei liiku, kun kaasupoljinta painetaan.	<ul style="list-style-type: none"> <li>Asetettujen akkujen yhteinen Ah ei täytä vaatimusta.</li> </ul>	<ul style="list-style-type: none"> <li>Käynnistäaksesi tämän ruohonleikkurin, käytä tarpeeksi EGO-akkuja tämän käyttöohjeen kohdan ”<b>AKUN KIINNITTÄMINEN/IRROTTAMINEN</b>” mukaisesti.</li> </ul>
	<ul style="list-style-type: none"> <li>Seisontajarrupoljin on jarrutusasennossa.</li> </ul>	<ul style="list-style-type: none"> <li>Paina seisontajarrupoljin täysin pohjaan vapauttaaksesi jarrutusasennon.</li> </ul>
	<ul style="list-style-type: none"> <li>Sekä vasenta että oikeaa kahvaa ei ole vedetty hetkeksi käyttäjää kohti, jotta ruohonleikkurin tilan merkkivalo palaisi vihreänä, kun ruohonleikkuria käynnistetään.</li> </ul>	<ul style="list-style-type: none"> <li>Vedä SEKÄ vasenta että oikeaa kahvaa samanaikaisesti käyttäjää kohti ja vapauta ne sitten. Ruohonleikkurin tilan merkkivalo palaa vihreänä, mikä tarkoittaa sitä, että ruohonleikkuri on valmis käynnistettäväksi.</li> </ul>
	<ul style="list-style-type: none"> <li>Käyttäjä ei istu istuimessa.</li> </ul>	<ul style="list-style-type: none"> <li>Käyttäjä voi käyttää ruohonleikkuria vain istuessaan oikein istuimessa.</li> </ul>
	<ul style="list-style-type: none"> <li>Istuinkytkintä ei ole yhdistetty oikein.</li> </ul>	<ul style="list-style-type: none"> <li>Irrota akku ruohonleikkurista ja pura istuin päinvastaisessa järjestyksessä kuin tämän oppaan osiossa ”<b>ISTUIMEN ASENNUS</b>” on kuvattu varmistaaksesi, että kaapelin pistoke on liitetty kunnolla istuimen pohjassa olevaan pistorasiaan. Kokoa istuin uudelleen ja käynnistä ruohonleikkuri noudattamalla kohdan ”<b>RUOHONLEIKKURIN KÄYNNISTÄMINEN</b>” ohjeita nähdäksesi käynnistyykö ruohonleikkuri. Jos se ei ole, ota yhteyttä pätevään huoltoasentajaan.</li> </ul>
	<ul style="list-style-type: none"> <li>Erittäin kylmässä säässä ajotoiminto ei ehkä käynnisty alhaisen lämpötilan suojan takia.</li> </ul>	<ul style="list-style-type: none"> <li>Varastoi ruohonleikkuri ja akku aina lämpimässä tilassa. Käynnistä ruohonleikkuri uudelleen, kun se on lämmennyt. Älä yritä toistuvasti äärimmäisen kylmällä säällä, se voi vaurioittaa konetta.</li> </ul>
	<ul style="list-style-type: none"> <li>Kaasupolkimen liikerata on tukossa roskista.</li> </ul>	<ul style="list-style-type: none"> <li>Tarkista ja poista roskat.</li> </ul>
	<ul style="list-style-type: none"> <li>Vika kaasupolkimen mekaanisissa tai elektronisissa osissa.</li> </ul>	<ul style="list-style-type: none"> <li>Korjausasioissa ota yhteyttä pätevään huoltoasentajaan.</li> </ul>

FI

ONGELMA	SYY	RATKAISU
Paikallaan kääntyvä ajettava ruohonleikkuri pysähtyy.	<ul style="list-style-type: none"> <li>Vasen/oikea kahva vaatii "nollauksen".</li> </ul>	<ul style="list-style-type: none"> <li>Vedä vasenta/oikeaa kahvaa käyttäjää kohti ja vapauta ne. Jos tilan merkkivalo palaa vihreänä, ruohonleikkuri on valmis ajettavaksi.</li> </ul>
	<ul style="list-style-type: none"> <li>Vika kaasupolkimen elektronisissa osissa.</li> </ul>	<ul style="list-style-type: none"> <li>Korjausasioissa ota yhteyttä pätevään huoltoasentajaan.</li> </ul>
	<ul style="list-style-type: none"> <li>Istuimen turvalukitusjärjestelmä irtosi ajon aikana epätasaisessa maastossa.</li> </ul>	<ul style="list-style-type: none"> <li>Irrota akku ruohonleikkurista ja pura istuin päinvastaisessa järjestyksessä kuin tämän oppaan osiossa "<b>ISTUIMEN ASENNUS</b>" on kuvattu varmistaaksesi, että kaapelin pistoke on liitetty kunnolla istuimen pohjassa olevaan pistorasiaan. Kokoa istuin uudelleen ja käynnistä ruohonleikkuri noudattamalla kohdan "<b>RUOHONLEIKKURIN KÄYNNISTÄMINEN</b>" ohjeita nähdäksesi käynnistyykö ruohonleikkuri. Jos se ei ole, ota yhteyttä pätevään huoltoasentajaan.</li> </ul>
	<ul style="list-style-type: none"> <li>Kuljettajan paino ei ole jakautunut tasaisesti istuimelle. Istuimella olevan käyttäjän painon on oltava vähintään 20 kg, jotta istuimen turvalukitusjärjestelmä toimisi kunnolla</li> </ul>	<ul style="list-style-type: none"> <li>Istu istuimelle kunnolla, vedä vasenta/oikeaa tai molempia kahvoja käyttäjää kohti ja vapauta ne, silloin ruohonleikkuri on valmis ajoon.</li> </ul>
	<ul style="list-style-type: none"> <li>Seisontajarrupoljinta painetaan ajonopeuden hidastamiseksi. Kun seisontajarrupoljinta painetaan tarpeeksi, mutta ei pysäköintiasentoon, ruohonleikkuri pysähtyy.</li> </ul>	<ul style="list-style-type: none"> <li>Irrota ja kiinnitä akku tarvittaessa uudelleen.</li> </ul>
Ajotilaa ei voi säätää ajamisen aikana.	<ul style="list-style-type: none"> <li>Tämä on paikallaan kääntyvän ajettavan ruohonleikkurin turvaominaisuus.</li> </ul>	<ul style="list-style-type: none"> <li>Noudata kohdassa "<b>RUOHONLEIKKURIN KÄYNNISTYS</b>" annettuja ohjeita käynnistääkseen ruohonleikkurin uudelleen.</li> </ul>
		<ul style="list-style-type: none"> <li>Toiminto aktivoituu vain, kun ruohonleikkurin pyörät ovat pysähtyneet.</li> </ul>



ONGELMA	SYY	RATKAISU
Paikallaan kääntyvä ajettava ruohonleikkuri ei käynnistä teriä, kun PTO-kytkin on aktivoitu.  PTO-kytkinkuvake viikkuu	<ul style="list-style-type: none"> <li>Asetettujen akkujen yhteinen Ah ei täytä vaatimusta.</li> </ul>	<ul style="list-style-type: none"> <li>Käynnistääksesi tämän ruohonleikkurin, käytä tarpeeksi EGO-akkuja tämän käyttöohjeen kohdan ”<b>AKUN KIINNITTÄMINEN/IRROTTAMINEN</b>” ohjeiden mukaisesti.</li> </ul>
	<ul style="list-style-type: none"> <li>PTO-kytkintä ei painettu alas, kun ruohonleikkuri sammutettiin viimeksi.</li> </ul>	<ul style="list-style-type: none"> <li>Paina PTO-kytkin alas ja sitten ylös käynnistääksesi terämoottorit uudelleen.</li> </ul>
	<ul style="list-style-type: none"> <li>Ruohonleikkuri on ylikuormitettu sillä hetkellä, kun terät alkavat pyöriä, mikä laukaisee moottorin itsesuojauksen.</li> </ul>	<ul style="list-style-type: none"> <li>Käynnistä ruohonleikkuri ruohonleikkurilla ensin hitaalla terän nopeudella, äläkä nosta terän nopeutta ennen kuin terät pyörivät kunnolla.</li> </ul>
	<ul style="list-style-type: none"> <li>Erittäin kylmässä säässä terämoottori ei ehkä käynnisty alhaisen lämpötilan suojan takia.</li> </ul>	<ul style="list-style-type: none"> <li>Varastoi ruohonleikkuri ja akku aina lämpimässä tilassa. Käynnistä ruohonleikkuri uudelleen, kun se on lämmennyt. Älä yritä toistuvasti äärimmäisen kylmällä säällä, se voi vaurioittaa konetta.</li> </ul>
	<ul style="list-style-type: none"> <li>Ruohonleikkurin vääntynyt kansi häiritsee terää</li> </ul>	<ul style="list-style-type: none"> <li>Soita EGO:n asiakaspalveluun.</li> </ul>
	<ul style="list-style-type: none"> <li>Ruohonleikkuri ajaa ”TRAVEL”-nopeudella.</li> </ul>	<ul style="list-style-type: none"> <li>Kun leikkuri ajaa ”TRAVEL”-nopeudella, terämoottorit pysähtyvät automaattisesti.</li> </ul>

FI



ONGELMA	SYY	RATKAISU
Terät lakkaavat toimimasta ruohonleikkuun aikana.	<ul style="list-style-type: none"> <li>Ruohonleikkuri on ylikuormittunut</li> </ul>	<ul style="list-style-type: none"> <li>Nosta leikkuulaitteen leikkuukorkeutta tai hidasta ajonopeutta, jotta saat vähennettyä ruohonleikkurin kuormitusta.</li> </ul>
	<ul style="list-style-type: none"> <li>Ruohonleikkurin kansi on täynnä ruohoa ja irtoainesta.</li> </ul>	<ul style="list-style-type: none"> <li>Puhdista ruohonleikkurin leikkuulaite, ja varmista, että terät liikkuvat vapaasti.</li> </ul>
	<ul style="list-style-type: none"> <li>Ruohonleikkuri on ylikuumentunut.</li> </ul>	<ul style="list-style-type: none"> <li>Vähennä ruohonleikkurin kuormitusta nostamalla leikkuulaitteen leikkuukorkeutta tai hidastamalla terien nopeutta / ajonopeutta ja antamalla ruohonleikkurin jäähtyä.</li> </ul>
	<ul style="list-style-type: none"> <li>Ruohonleikkurin akkulokerossa olevat akut ovat ylikuumentuneet, mikä johtaa siihen, että kaikkien asetettujen akkujen yhteinen Ah ei täytä vaatimusta.</li> </ul>	<ol style="list-style-type: none"> <li>Ruohonleikkuri jatkaa toimintaa, jos akkujen yhteinen Ah-arvo, ylikuumentunut akku pois lukien, täyttää vaatimuksen. Kun ylikuumentunut akku on jälleen normaalissa lämpötilassa, se alkaa antamaan virtaa ruohonleikkurille välittömästi.</li> </ol>
		<ol style="list-style-type: none"> <li>Jos akkujen yhteinen Ah-arvo ei täytä vaatimusta, ruohonleikkuri ei toimi ennen kuin akkuja on asetettu lisää tyhjiin akkulokeroihin.</li> </ol>
		<ol style="list-style-type: none"> <li>Vähennä ruohonleikkurin kuormitusta nostamalla leikkuulaitteen leikkuukorkeutta tai hidastamalla ruohonleikkuunopeutta, kun jatkat työskentelyä.</li> </ol>
	<ul style="list-style-type: none"> <li>Ruohonleikkuri on hätäkäyttötilassa.</li> </ul>	<ul style="list-style-type: none"> <li>Kun ruohonleikkuri on hätäkäyttötilassa, terät kytkeytyvät automaattisesti hitaaseen pyörimisnopeuteen. Käyttäjän on lopetettava työskentely ja ajettava akun latausalueelle mahdollisimman pian.</li> </ul>
	<ul style="list-style-type: none"> <li>Ruohonleikkuri on osunut vieraaseen esineeseen ja moottorin itsesuojaus on lauennut.</li> </ul>	<ul style="list-style-type: none"> <li>Paina PTO-kytkin alas ja sitten ylös käynnistääksesi terämoottorit uudelleen.</li> </ul>
<ul style="list-style-type: none"> <li>Ruohonleikkurin nopeus on säädetty "TRAVEL"-tilaan.</li> </ul>	<ul style="list-style-type: none"> <li>Kun ruohonleikkurin nopeus on "TRAVEL"-tilassa, terämoottorit pysähtyvät automaattisesti.</li> </ul>	

ONGELMA	SYY	RATKAISU
Merkkiääni-ilmais jatkaa kuulumista.	<ul style="list-style-type: none"> <li>Ruohonleikkuri on hätäkäyttötilassa, eikä teriä ole kytketty pois päältä.</li> </ul>	<ul style="list-style-type: none"> <li>Paina PTO-kytkin alas sammuttaaksesi terämootorit. Äänimerkki-ilmais lakkaa kuulumasta, kun terämootorit sammutetaan.</li> </ul>
	<ul style="list-style-type: none"> <li>Ruohonleikkuri pysähtyy rinteessä ja käyttäjä nousee istuimelta asettamatta seisontajarrupoljinta jarrutusasettoon.</li> </ul>	<ul style="list-style-type: none"> <li>Aseta seisontajarrupoljin jarrutusasettoon ennen kuin poistut ruohonleikkurista rinteessä.</li> </ul>
Akun merkkivalot palavat, kun ruohonleikkuri on kytketty pois päältä.	<ul style="list-style-type: none"> <li>Kun ruohonleikkuri kytketään pois päältä tasaisella maalla poistamatta akkuja, akkujen merkkivalot, käynnistys-/pysäytyspainike ja CCS-painike jäävät palamaan tietyksi ajaksi.</li> </ul>	<ul style="list-style-type: none"> <li>Mitään toimenpiteitä ei tarvita. Akun merkkivalot sammuvat, kun ruohonleikkuri sammuu tietyn ajan kuluttua. Katso tiettyä aikaa koskevat tiedot kohdasta ”<b>RUOHONLEIKKURIN PYSÄYTTÄMINEN</b>”.</li> </ul>
	<ul style="list-style-type: none"> <li>Kun ruohonleikkuri sammutetaan rinteessä asettamatta seisontajarrupoljinta jarrutusasettoon, akun merkkivalot palavat, kunnes akun varaus on tyhjä. Merkkiääni-ilmais kuuluu samanaikaisesti.</li> </ul>	<ul style="list-style-type: none"> <li>Aseta seisontajarrupoljin jarrutusasettoon ennen kuin poistut ruohonleikkurista rinteessä.</li> </ul>
LCD-näyttö ei syty kaikkien kuvakkeiden kanssa.	<ul style="list-style-type: none"> <li>Käynnistys-/pysäytyspainiketta on painettu riittävän kauan.</li> </ul>	<ul style="list-style-type: none"> <li>LCD-näytössä näkyy ”akkutehomittari” vain, kun käynnistys-/pysäytyspainiketta painetaan lyhyesti.</li> <li>LCD-näyttö kytkeytyy päälle, kun käynnistys-/pysäytyspainiketta pidetään painettuna riittävä aika.</li> </ul>
Ruohonleikkuri leikkaa epätasaisesti, merkittävä korkeusero edessä ja takana.	<ul style="list-style-type: none"> <li>Terät ovat tylsät.</li> </ul>	<ul style="list-style-type: none"> <li>Teroita tai vaihda leikkuuterä tämän käyttöoppaan ohjeiden mukaisesti.</li> </ul>
	<ul style="list-style-type: none"> <li>Terät ovat taipuneet.</li> </ul>	<ul style="list-style-type: none"> <li>Vaihda taipunut leikkuuterä osion ”<b>LEIKKUUTERIEN VAIHTAMINEN</b>” ohjeiden mukaan.</li> </ul>
	<ul style="list-style-type: none"> <li>Ruohonleikkurin leikkuulaite ei ole tasapainossa, mikä johtaa leikkuuterien korkeuseroihin.</li> </ul>	<ul style="list-style-type: none"> <li>Tasapainota ruohonleikkurin leikkuulaite osion ”<b>RUOHONLEIKKURIN LEIKKUULAITTEEN TASAPAINOTUS</b>” ohjeiden mukaan.</li> </ul>

ONGELMA	SYY	RATKAISU
Todellinen ruohon leikkuukorkeus ei täsmää halutun korkeuden kanssa.	<ul style="list-style-type: none"> <li>Leikkuulaitteen jousikannatuksen kansimutterit ovat löysällä</li> </ul>	<ul style="list-style-type: none"> <li>Tee leikkuulaitteen etu-takasäätö noudattaen kohdan <b>"RUOHONLEIKKURIN LEIKKUULAITTEEN TASAPAINOTUS"</b> ohjeita ja kiristä jousikannatuksen mutterit.</li> </ul>
	<ul style="list-style-type: none"> <li>Ruohonleikkurin leikkuulaite on vaurioitunut tai erittäin kulunut.</li> </ul>	<ul style="list-style-type: none"> <li>Vaihda ruohonleikkurin leikkuulaite noudattaen osion <b>"RUOHONLEIKKURIN LEIKKUULAITTEEN POISTAMINEN"</b> ohjeita.</li> </ul>
Ruohonleikkuri ei silppua kunnolla.	<ul style="list-style-type: none"> <li>Märät ruohopalat juuttuvat kannen alapuolelle.</li> </ul>	<ul style="list-style-type: none"> <li>Odota, että ruoho kuivuu, ennen kuin jatkat leikkaamista.</li> </ul>
	<ul style="list-style-type: none"> <li>Ruohonleikkuri on asetettu leikkaamaan liikaa ruohoa kerralla.</li> </ul>	<ul style="list-style-type: none"> <li>Nosta leikkuulaitteen leikkuukorkeutta.</li> </ul>
Liikaa tärinää.	<ul style="list-style-type: none"> <li>Leikkuuterät ovat löysällä.</li> </ul>	<ul style="list-style-type: none"> <li>Kiristä terän pultti suositeltuun momenttiin.</li> </ul>
	<ul style="list-style-type: none"> <li>Terät ovat taipuneet.</li> </ul>	<ul style="list-style-type: none"> <li>Vaihda taipunut leikkuuterä osion <b>"LEIKKUUTERIEN VAIHTAMINEN"</b> ohjeiden mukaan.</li> </ul>
	<ul style="list-style-type: none"> <li>Ruohonleikkurin leikkuulaite ei ole tasapainossa.</li> </ul>	<ul style="list-style-type: none"> <li>Tasapainota ruohonleikkurin leikkuulaite osion <b>"RUOHONLEIKKURIN LEIKKUULAITTEEN TASAPAINOTUS"</b> ohjeiden mukaan.</li> </ul>
	<ul style="list-style-type: none"> <li>Leikkuulaitteen jousikannatuksen kansimutterit ovat löysällä.</li> </ul>	<ul style="list-style-type: none"> <li>Kiristä jousikannatuksen mutterit.</li> </ul>
	<ul style="list-style-type: none"> <li>Ruohonleikkuri on asetettu leikkaamaan liikaa ruohoa kerralla.</li> </ul>	<ul style="list-style-type: none"> <li>Nosta leikkuulaitteen leikkuukorkeutta.</li> </ul>
Maahan jää ruohoa tai roskia leikkaamisen jälkeen.	<ul style="list-style-type: none"> <li>Ruohonleikkuri on asetettu leikkaamaan liikaa ruohoa kerralla, kun ruoho on pitkää.</li> </ul>	<ul style="list-style-type: none"> <li>Aloita korkeimmalla leikkuukorkeudella ja vähennä korkeutta, kunnes haluttu leikkuutulos saavutetaan. Yli 152 mm:n korkuinen ruoho on ajettava kaksi kertaa peräkkäin pienenevillä leikkuukorkeuksilla.</li> </ul>
	<ul style="list-style-type: none"> <li>Ruoho on märkää.</li> </ul>	<ul style="list-style-type: none"> <li>Älä leikkaa märkää ruohoa. Odota ruohon kuivumista.</li> </ul>
	<ul style="list-style-type: none"> <li>Ajonopeus on korkea.</li> </ul>	<ul style="list-style-type: none"> <li>Hidasta ajonopeutta.</li> </ul>
	<ul style="list-style-type: none"> <li>Terän nopeus on hidas.</li> </ul>	<ul style="list-style-type: none"> <li>Nosta terän nopeutta asteittain.</li> </ul>
Ruohonleikkurin lyhyt käyttöaika mukana toimitetulla akulla.	<ul style="list-style-type: none"> <li>Nurmikon maasto, ruoho-olosuhteet, leikkuukorkeuden asetus, ajonopeus, terän nopeus jne. vaikuttavat suuresti ajoaikaan.</li> </ul>	<ul style="list-style-type: none"> <li>Nosta leikkuulaitteen leikkuukorkeutta ja hidasta terän nopeutta, jotta saat vähennettyä leikkurin kuormitusta.</li> </ul>

ONGELMA	SYY	RATKAISU
Ruohonleikkuri ei liiku suoraan.	<ul style="list-style-type: none"> <li>Vasemman ja oikean takarenkaan rengaspaineet ovat erilaiset.</li> </ul>	<ul style="list-style-type: none"> <li>Tarkista ja säädä ilmanpaine kummassakin takapyörän renkaassa osan "<b>TEKNISET TIEDOT</b>" mukaisesti.</li> </ul>
	<ul style="list-style-type: none"> <li>Vasemman ja oikean takarenkaan ajonopeudet ovat erilaiset.</li> </ul>	<ul style="list-style-type: none"> <li>Kalibroi ohjauspyörä osion "<b>RUOHONLEIKKURIN SEURANTAJÄRJESTELMÄN KALIBROINTI</b>" ohjeiden mukaan.</li> </ul>
Seisontajarrupoljin ei vapaudu jarrutusasennosta tai se ponnahtaa takaisin hitaasti.	<ul style="list-style-type: none"> <li>Seisontajarrupolkimen sisällä saattaa olla roskia tai likaa.</li> </ul>	<ul style="list-style-type: none"> <li>Avaa seisontajarrupolkimen kotelo ja puhdista kotelo huolellisesti sisäpuolelta, sulje se. Palauta seisontajarrupoljin, jotta näet onko ongelma ratkennut. Jos se ei ole, ota yhteyttä pätevään huoltoasentajaan.</li> </ul>
Ruohonleikkuria ei voi ladata latausliitännän kautta, ruohonleikkurin tilan merkkivalo palaa punaisena.	<ul style="list-style-type: none"> <li>Laturin pistoke ei ole kunnolla kiinni ruohonleikkurin latausliitännässä.</li> </ul>	<ul style="list-style-type: none"> <li>Yhdistä laturin pistoke uudelleen ja tarkista latautuuko ruohonleikkuri normaalisti.</li> </ul>
	<ul style="list-style-type: none"> <li>Seinäpistorasiassa ei ole virtaa.</li> </ul>	<ul style="list-style-type: none"> <li>Mitään toimenpiteitä ei tarvita. Odota, kunnes virta palautuu.</li> </ul>
	<ul style="list-style-type: none"> <li>Laturissa on toimintahäiriö.</li> </ul>	<ul style="list-style-type: none"> <li>Soita EGO -asiakaspalveluun tarkastusta varten ja korjauta laturi tarvittaessa.</li> </ul>
	<ul style="list-style-type: none"> <li>Ruohonleikkurin latausliitäntä on viallinen.</li> </ul>	<ul style="list-style-type: none"> <li>Soita EGO:n asiakaspalveluun.</li> </ul>
Latausaika ruohonleikkurin latausliitännän kautta on liian pitkä.	<ul style="list-style-type: none"> <li>Lataaminen kestää pitkään käytettäessä EGO-verkkolaitetta ACA1000.</li> </ul>	<ul style="list-style-type: none"> <li>Käytä EGO-laturia CHV1600E paikallaan kääntyvän ajettavan ruohonleikkurin lataamiseksi suoraan.</li> </ul>
Akku ei lataudu täyteen ruohonleikkurin latausliitännän kautta.	<ul style="list-style-type: none"> <li>Ruohonleikkurin tai akun laiteohjelmistovirhe tai laturin vika.</li> </ul>	<ul style="list-style-type: none"> <li>Nollaa laturi irrottamalla laturi ja odottamalla useiden minuuttien ajan. Liitä sitten pistoke takaisin virtalähteeseen. Jos tämä ei ratkaise ongelmaa, soita EGO-asiakaspalveluun.</li> </ul>
Ruohonleikkuri ei käynnisty puhdistamisen jälkeen.	<ul style="list-style-type: none"> <li>Virheellinen puhdistaminen, vettä on esimerkiksi päässyt sähköisiin osiin, LCD-näyttöön jne.</li> </ul>	<ul style="list-style-type: none"> <li>Puhdista ruohonleikkuri oikein osion "<b>YLEINEN KUNNOSSAPITO</b>" ohjeiden mukaan.</li> </ul>
		<ul style="list-style-type: none"> <li>Jos ruohonleikkuri on jäänyt vahingossa sateeseen, anna sen kuivua itsestään tai käytä sen kuivaamiseen paineilmaa.</li> </ul>
Ruohonleikkurin kansi tukkeutuu nopeasti.	<ul style="list-style-type: none"> <li>Ruohonleikkurin kanta ei ole puhdistettu kunnolla edellisen käytön jälkeen.</li> </ul>	<ul style="list-style-type: none"> <li>Puhdista ruohonleikkurin kansi jokaisen käyttökerran jälkeen noudattaen osion "<b>PESUPORTIN KÄYTTÄMINEN RUOHONLEIKKURIN KANNEN PUHDISTAMISEEN</b>" ohjeita.</li> </ul>

ONGELMA	SYY	RATKAISU
Ruohonleikkuri menettää helposti vedon ajettaessa rinnettä ylöspäin.	<ul style="list-style-type: none"> <li>Takapyörien renkaat ovat kuluneet.</li> </ul>	<ul style="list-style-type: none"> <li>Vaihdeta pyörän renkaat paikallisessa huoltoliikkeessä.</li> </ul>
	<ul style="list-style-type: none"> <li>Ruohonleikkuri jyrkässä rinteessä.</li> </ul>	<ul style="list-style-type: none"> <li>Ruohonleikkurilla ei saa leikata rinteitä, jotka ovat jyrkempiä kuin määritetty kaltevuusaste.</li> </ul>
Kun ruohonleikkuri pysäytetään rinteeseen seisontajarrupoljin painettuna, ruohonleikkuri voi rullata alas rinnettä.	<ul style="list-style-type: none"> <li>Jarruosat ovat liian kuluneet ruohonleikkurin virheellisen käytön takia.</li> </ul>	<ul style="list-style-type: none"> <li>Soita EGO-asiakaspalveluun korjausta varten.</li> </ul>
Pesuportista ei tule vettä, kun yrität pestä kantta.	<ul style="list-style-type: none"> <li>Pesuportin pikaliitintä ei ole kiinnitetty kunnolla pesuporttiin.</li> </ul>	<ul style="list-style-type: none"> <li>Kiinnitä pesuportin pikaliitin takaisin painamalla, kunnes kuulet selkeän napsahduksen. Jos se ei toimi, soita EGO-asiakaspalveluun.</li> </ul>
Kuuluu epänormaali ääni, kun ruohonleikkuria työnnetään käsin ilman käynnistämistä.	<ul style="list-style-type: none"> <li>Ääni kuuluu ajomoottorin sisällä olevista magneeteista.</li> </ul>	<ul style="list-style-type: none"> <li>Tämä on normaalia, toimenpiteitä ei tarvita.</li> </ul>
Ohjauspyörää ei voi kääntää.	<ul style="list-style-type: none"> <li>Ohjauspyöräkokoontalo on tukossa roskista.</li> </ul>	<ul style="list-style-type: none"> <li>Tarkista ja poista roskat.</li> </ul>
Ruohonleikkuri ei käänny vasemmalle/ oikealle, kun ohjauspyörää käännetään.	<ul style="list-style-type: none"> <li>Elektronisten tai mekaanisten komponenttien vika.</li> </ul>	<ul style="list-style-type: none"> <li>Soita EGO-asiakaspalveluun korjausta varten.</li> </ul>
Ruohonleikkuri ei pysähdy, kun vapautat kaasupolkimen.	<ul style="list-style-type: none"> <li>Kaasupolkimen paluuliikerata on tukossa roskista.</li> </ul>	<ul style="list-style-type: none"> <li>Tarkista ja poista roskat.</li> </ul>
	<ul style="list-style-type: none"> <li>CCS-painiketta on painettu tahattomasti ajon aikana. Ruohonleikkuri on vakionopeudensäädintilassa</li> </ul>	<ul style="list-style-type: none"> <li>Tarkista, palaako CCS-kuvake LCD-näytössä, ja poistu CCS:stä tarvittaessa. Katso luku <b>"VAKIONOPEUSSÄÄTIMEN(CCS) KÄYTTÄMINEN"</b></li> </ul>
CCS-toimintoa ei voi aktivoida tai sammuttaa.	<ul style="list-style-type: none"> <li>CCS-painiketta ei ole painettu kunnolla.</li> </ul>	<ul style="list-style-type: none"> <li>Paina CCS-painiketta, kunnes CCS-kuvake syttyy LCD-näyttöön tai häviää LCD-näytöstä.</li> </ul>

ONGELMA	SYY	RATKAISU
Ruohonleikkuria ei voi ajaa taaksepäin, kun vasenta/oikeaa kahvaa vedetään käyttäjää kohti.	<ul style="list-style-type: none"> <li>Ruohonleikkurin tilan merkkivalo ei pala vihreänä eikä ruohonleikkuri ole valmis ajoon.</li> </ul>	<ul style="list-style-type: none"> <li>Noudata kohtaa ”RUOHONLEIKKURIN KÄYNNISTÄMINEN”, jotta ruohonleikkurin tilan merkkivalo palaa vihreänä ja ruohonleikkuri on valmis ajoon.</li> </ul>
	<ul style="list-style-type: none"> <li>Vasenta/oikeaa kahvaa ei ole vedetty käyttäjää kohti kunnolla.</li> </ul>	<ul style="list-style-type: none"> <li>Vedä vasenta tai oikeaa kahvaa tai molempia kahvoja samanaikaisesti käyttäjää kohti, kunnes kuulet napsahduksen.</li> </ul>
	<ul style="list-style-type: none"> <li>Vasenta/oikeaa kahvaa ei pidetä vedettynä käyttäjää kohti.</li> </ul>	<ul style="list-style-type: none"> <li>Peruutusajoa varten vähintään toista kahvaa on pidettävä vedettynä käyttäjää kohti.</li> </ul>
	<ul style="list-style-type: none"> <li>Vasen/oikea kahva on rikki.</li> </ul>	<ul style="list-style-type: none"> <li>Korjausasioissa ota yhteyttä pätevään huoltoasentajaan.</li> </ul>

FI

## RUOHONLEIKKURIN TILA JA VIKAKOODIT

LCD-näyttö	Kuvaus	Vikakoodi LCD-näytössä	Ruohonleikkurin tilan merkkivalo	Merkkiääni	Syy	Ratkaisu
	LED-valojen kuvake näkyy LCD-näytössä.	Ei ole	Ei pala	Ei	LED-valokytkin kytkee ajovalot, sivuvalot ja takavalot.	Tämä on normaalia toimintaa. Mitään toimenpiteitä ei tarvita.
	USB-kuvake näkyy LCD-näytössä.	Ei ole	Ei pala	Ei	USB-kuvake ilmaisee, että USB-laite toimii ruohonleikkurin käynnistämisen jälkeen.	Tämä on normaalia toimintaa. Mitään toimenpiteitä ei tarvita.
	Akkutehomittarin kuvake näkyy LCD-näytössä.	Ei ole	Ei pala	Ei	Ilmaisee asetettujen akkujen keskimääräisen varauskapasiteetin.	Tämä on normaalia toimintaa. Mitään toimenpiteitä ei tarvita.
	Käyttötuntimittarin kuvake näkyy LCD-näytössä.	Ei ole	Ei pala	Ei	Näyttää ruohonleikkurin kokonaiskäyttötunnit, ei voi nollata.	Tämä on normaalia toimintaa. Mitään toimenpiteitä ei tarvita.
	Kuormituksen merkkivalokuvake on ECO-alueella.	Ei ole	Ei pala	Ei	Ilmaisee ruohonleikkurin nykyisen kuormituksen.	Tämä on normaalia toimintaa. Mitään toimenpiteitä ei tarvita.
	Taaksepäin kuvake näkyy LCD-näytössä.	Ei ole	Ei pala	Ei	Se osoittaa, että ruohonleikkuria ajetaan taaksepäin.	Tämä on normaalia toimintaa. Mitään toimenpiteitä ei tarvita.
	Turva-avainkuvake vilkkuu.	Ei ole	Ei pala	Ei	Turva-avainta ei ole asetettu.	Aseta turva-avain ja käynnistä leikkuri pitämällä KÄYNNISTYS/PYSÄYTYS-painiketta painettuna.
					Näppäinohjauspaneelin kotelokoonpano on rikki.	Jätä korjaukset pätevän huoltoasentajan tehtäväksi.

**FI**





LCD-näyttö	Kuvaus	Vikakoodi LCD-näytössä	Ruohonleikkurin tilan merkkivalo	Merkkiääni	Syy	Ratkaisu
	Tietyn akkulokeron kuvake vilkkuu.	Ei ole	Ei pala	Ei	Tietyissä akussa on ylivirta purkautumisen aikana.	Mitään toimenpiteitä ei tarvita. Ruohonleikkuri jatkaa toimintaa, jos akkujen yhteinen Ah-arvo, ylivirta-akku pois lukien, täyttää vaatimuksen. Kun ylivirta-akku palautuu normaaliksi, se kytkeytyy välittömästi ruohonleikkurin virransyöttöön ja kuvake katoaa.
	Tyhjän akkulokeron kuvake vilkkuu	Ei ole	Ei pala	Ei	Akun kapasiteetti ei riitä ruohonleikkurin käyttämiseen.	Käynnistääksesi tämän ruohonleikkurin, käytä tarpeeksi EGO-akkuja tämän käyttöohjeen kohdan ” <b>AKUN KIINNITTÄMINEN/ IRROTTAMINEN</b> ” ohjeiden mukaisesti.
	Ylikuormituksen merkkivalo vilkkuu	Ei ole	Vilkkuu punaisena	Yksi merkkiääni	<p>Terämoottori on ylikuormittunut.</p> <p>Sivupoistokouru on täynnä ruohoa ja roskia.</p> <p>Terän ja ruohonleikkurin kannen välillä on häiriö.</p>	<p>Nosta leikkuulaitteen leikkuukorkeutta tai hidasta ajonopeutta, jolloin saat vähennettyä ruohonleikkurin kuormitusta.</p> <p>Puhdista sivupoistokouru jokaisen käyttökerran jälkeen.</p> <p>Soita EGO:n asiakaspalveluun</p>



LCD-näyttö	Kuvaus	Vikakoodi LCD-näytössä	Ruohonleikkurin tilan merkkivalo	Merkkiääni	Syy	Ratkaisu
	Lämpötilakuvake vilkkuu.	Ei ole	Ei pala	Yksi merkkiääni	Ruohonleikkuri on ylikuumentunut.	Vähennä ruohonleikkurin kuormitusta nostamalla leikkuulaitteen leikkuukorkeutta tai hidastamalla terien nopeutta / ajonopeutta. Pidä tauko ja anna ruohonleikkurin jäähtyä.
					Ruohonleikkuri on liian kylmä.	Älä yritä toistuvasti, sillä se voi vahingoittaa konetta. Varastoi ruohonleikkuri ja akut aina lämpimässä tilassa. Käynnistä ruohonleikkuri uudelleen, kun se on lämmennyt.
	Lämpötilakuvake ja tarkka varattu akkulokero vilkkuvat samanaikaisesti.	Ei ole	Ei pala	Ei	Akku vastaavassa. Numeroitu akkulokero on ylikuumentunut.	1. Ruohonleikkuri jatkaa toimintaa, jos akkujen yhteinen Ah-arvo, ylikuumentunut akku pois lukien, täyttää vaatimuksen. Kun ylikuumentunut akku on jälleen normaalissa lämpötilassa, se alkaa antamaan virtaa ruohonleikkurille välittömästi.
						2. Jos akkujen yhteinen Ah-arvo ei ole riittävä, ruohonleikkuri ei toimi ennen kuin akkuja on asetettu lisää tyhjiin akkulokeroihin.
						3. Vähennä ruohonleikkurin kuormitusta nostamalla leikkuulaitteen leikkuukorkeutta tai hidastamalla ruohonleikkurunopeutta, kun jatkat työskentelyä.

LCD-näyttö	Kuvaus	Vikakoodi LCD-näytössä	Ruohonleikkurin tilan merkkivalo	Merkkiääni	Syy	Ratkaisu
	Jokaisen varatun akkulokeron kuvake, alhaisen varauksen ilmaisin, akkutehmittarin grafiikka vilkkuvat yhden sekunnin välein samanaikaisesti LCD-näytössä. Ensimmäinen LED-akkutehmittarin merkkivalo ja ruohonleikkurin tilan merkkivalo vilkkuvat myös.	Ei ole	Vilkkuu punaisena	Merkkiääni kuuluu, kunnes PTO-kytkin on painettu alas.	Akkujen varaus on vähissä ja ruohonleikkuri on hätäkäyttötilassa.	Lopeta työskentely ja siirry akun latausalueelle. <b>HUOMAA:</b> Kun ruohonleikkuri on hätäkäyttötilassa, terät kytkeytyvät automaattisesti hitaaseen pyörimisnopeuteen 8 ja samalla kuuluu merkkiääni. Käyttäjän pitää painaa PTO-kytkin alas terämootorin sammuttamiseksi. Merkkiääni lakkaa kuulumasta, kun terät pysähtyvät.
	Kunkin varatun akkulokeron kuvake ja alhaisen varauksen merkkivalo vilkkuvat puolen sekunnin välein, myös ensimmäinen LED-akkutehmittarin valo vilkkuu punaisena puolen sekunnin välein.	Ei ole	Vilkkuu punaisena	Jatkaa kuulumista	Akut ovat lähes tyhjä.	Ruohonleikkuri lopettaa toiminnan välittömästi. Käyttäjän täytyy kuljettaa ruohonleikkuri akun latausalueelle latausta varten.
	Automaattisen pysäköinnin kuvake vilkkuu LCD-näytössä.	Ei ole	Ei pala	Jatkaa kuulumista	Ruohonleikkuri on pysäköity rinteeseen ja käyttäjä poistuu ruohonleikkurista asettamatta seisontajarrupoljinta jarrutusasettoon.	Aseta jarrupoljin jarrutusasettoon. Automaattisen pysäköinnin kuvake sammuu ja merkkiääni lakkaa kuulumasta.
	Jarrupolkimen kuvake näkyy LCD-näytössä	Ei ole	Ei pala	Ei	Seisontajarrupoljin on asetettu jarrutusasettoon.	Vapauta ennen ruohonleikkurin käynnistämistä.

**HUOMAA:** Jos LCD-näytössä näkyy vikakoodi, poista kaikki akut ja aseta ne takaisin muutaman minuutin kuluttua. Jos tämä ei ratkaise ongelmaa, noudata alla olevaa vikakoodien vianetsintää.

LCD-näyttö	Kuvaus	Vikakoodi LCD-näytössä	Ruohonleikkurin tilan merkkivalo	Merkkiäni	Syy	Ratkaisu
	Istuinturin kuvake näkyy LCD-näytössä	Ei ole	Ei pala	Ei	Käyttäjä poistuu istuimelta tai istuimen turvalukitusjärjestelmä on irrotettu.	Jos käyttäjä istuu istuimessa ja kuvake palaa, lopeta ruohonleikkurin käyttö välittömästi ja tarkista istuimen liitäntä. Jos istuimen liitäntä ruohonleikkuriin on oikein, ota yhteyttä pätevään huoltoasentajaan korjausta varten.
	PTO-kytkinkuvake vilkkuu	Ei ole	Ei pala	Ei	Terämoottoria häirittiin käytön aikana ja PTO-kytkintä ei ole asetettu pois päältä -asentoon.	Ennen kuin käynnistät leikkurin uudelleen, sammuta terämoottorit painamalla PTO-kytkin alas. Katso lisätietoa tämän käyttöoppaan osiosta "VIANMÄÄRITYS".
	Energian talteenoton kuvake vilkkuu ajoittain.	Ei ole	Ei pala	Ei	Jarrutuksen tai alamäkeen ajamisen aikana syntyvä liike-energia muunnetaan sähköksi akkujen lataamista varten.	Tämä on normaalia toimintaa. Mitään toimenpiteitä ei tarvita.
	CCS-kuvake vilkkuu	Ei ole	Ei pala	Ei	CCS (vakionopeudensäädin) -toiminto on epäonnistunut.	CCS-toimintoa ei voitu asettaa, kun ruohonleikkuria ajetaan erittäin hitaalla nopeudella tai peruutetaan.

LCD-näyttö	Kuvaus	Vikakoodi LCD-näytössä	Ruohonleikkurin tilan merkkivalo	Merkkiääni	Syy	Ratkaisu
<b>FI</b> Katso ”Vikakoodi”	Vasen ajomoottori ei pyöri.	PCBA-ohjattu vasen ajomoottori ei toimi.	413	Ei pala	Yksi merkkiääni	PCBA-vika
		Pistoke (kolmivaihe, virtajohto), joka liittää vasemman ajomoottorin vastaavaan PCBA:han, on irronnut.	317	Ei pala	Yksi merkkiääni	Löysä liitântä
		Pistoke (kuusinapainen, signaalijohto), joka liittää vasemman ajomoottorin vastaavaan PCBA:han, on irronnut.	301	Ei pala	Yksi merkkiääni	Löysä liitântä
		Vasen ajomoottori ei toimi.	317	Ei pala	Yksi merkkiääni	Moottorivika
						Jätä korjaukset pätevän huoltoasentajan tehtäväksi.

LCD-näyttö	Kuvaus		Vikakoodi LCD-näytössä	Ruohonleik- kurin tilan merkkivalo	Merkkiääni	Syy	Ratkaisu
Katso "Vikakoodi"	Oikea ajomoottori ei pyöri	PCBA-ohjattu oikea ajomoottori ei toimi.	313	Ei pala	Yksi merkkiääni	PCBA-vika	Jätä korjaukset pätevän huoltoasentajan tehtäväksi.
		Pistoke (kolmivaihe, virtajohto), joka liittää oikean ajomoottorin vastaavaan PCBA:han, on irronnut.	417	Ei pala	Yksi merkkiääni	Löysä liitäntä	
		Pistoke (kuusinapainen, signaali-johto), joka liittää oikean ajomoottorin vastaavaan PCBA:han, on irronnut.	401	Ei pala	Yksi merkkiääni	Löysä liitäntä	
		Oikea ajomoottori ei toimi.	417	Ei pala	Yksi merkkiääni	Moottorivika	
Katso "Vikakoodi"	Vasen terämoottori ei pyöri	PCBA-ohjattu vasen terämoottori ei toimi	607	Ei ole	Yksi merkkiääni	PCBA-vika	Jätä korjaukset pätevän huoltoasentajan tehtäväksi.
		Pistoke (kolmivaihe, virtajohto), joka liittää vasemman terämoottorin vastaavaan PCBA:han, on irronnut.	509	Ei ole	Yksi merkkiääni	Löysä liitäntä	Tarkasta ensin terä. Jos se on löysällä, kiristä pultti suositeltuun vääntömomenttiin. Muussa tapauksessa jätä korjaukset pätevän huoltoasentajan tehtäväksi.
		Vasen terämoottori ei toimi.	509	Ei ole	Yksi merkkiääni	Moottorivika	

LCD-näyttö	Kuvaus	Vikakoodi LCD-näytössä	Ruohonleikkurin tilan merkkivalo	Merkkiääni	Syy	Ratkaisu	
Katso "Vikakoodi"	Oikea terämoottori ei pyöri	PCBA-ohjattu oikea terämoottori ei toimi	507	Ei ole	Yksi merkkiääni	PCBA-vika	Jätä korjaukset pätevän huoltoasentajan tehtäväksi.
		Pistoke (kolmivaihe, virtajohto), joka liittyy oikean terämoottorin vastaavaan PCBA:han, on irronnut.	609	Ei ole	Yksi merkkiääni	Löysä liitäntä	Tarkasta ensin terä. Jos se on löysällä, kiristä pultti suositeltuun väntömomenttiin. Muussa tapauksessa jätä korjaukset pätevän huoltoasentajan tehtäväksi.
		Oikea terämoottori ei toimi.	609	Ei ole	Yksi merkkiääni	Moottorivika	
Katso "Vikakoodi"	Kaasupoljin ei toimi	311/ 411	Ei pala	Yksi merkkiääni	PCBA-vika	Jätä korjaukset pätevän huoltoasentajan tehtäväksi.	
		307/ 407			Löysä liitäntä		
Katso "Vikakoodi"	Ohjauspyörä ei toimi	312/ 412	Ei pala	Yksi merkkiääni	PCBA-vika	Jätä korjaukset pätevän huoltoasentajan tehtäväksi.	
					Löysä liitäntä		
Katso "Vikakoodi"	Seisontajarru ei toimi, ruohonleikkuria ei voi ajaa.	Eturungossa oleva seisontajarrun PCBA on rikki.	309/ 409	Ei pala	Yksi merkkiääni	PCBA-vika	Jätä korjaukset pätevän huoltoasentajan tehtäväksi.
		Seisontajarrun kytkin ja/tai johto on viallinen.	801	Ei pala	Yksi merkkiääni	Johto-/kytkinvika	
Ei pala	Lataussuojaus ei toimi	Ei ole	Palaa punaisena	Ei ole	Latausportti on avoimessa piirissä.	Jätä korjaukset pätevän huoltoasentajan tehtäväksi.	
		Ei ole	Palaa punaisena	Ei ole	Ei virransyöttöä.	Tarkista seinäpistorasia, onko jännite 220–240 V ja pistorasia kunnossa.	
		Ei ole	Palaa punaisena	Ei ole	Sulake on palanut.	Jätä korjaukset pätevän huoltoasentajan tehtäväksi.	

LCD-näyttö	Kuvaus	Vikakoodi LCD-näytössä	Ruohonleikkurin tilan merkkivalo	Merkkiääni	Syy	Ratkaisu
Katso "Vikakoodi"	Latausportin vika	204	Ei ole	Yksi merkkiääni	Latausportti on avoimessa piirissä.	Jätä korjaukset pätevän huoltoasentajan tehtäväksi.
Katso "Vikakoodi"	Akkulokerokokoonpano ei toimi.	217	Ei ole	Yksi merkkiääni	Akkulokeron virtalähde on rikki. LED-ajovalot ja USB eivät toimi.	Jätä korjaukset pätevän huoltoasentajan tehtäväksi.
		310/410	Ei pala	Yksi merkkiääni	Akkulokeron Type-C-johtojen yhteys ruohonleikkurin muihin Type-C-johtoihin ei toimi.	
		201/202/203	Ei pala	Yksi merkkiääni	Akkulokeron BMS on rikki.	
Katso "Vikakoodi"	Käynnistys-/pysäytyskytkin ei toimi	314/414	Ei pala	Yksi merkkiääni	Kytkimen PCBA-vika tai käynnistys-/pysäytyskytkimen huono johdinliitäntä.	Jätä korjaukset pätevän huoltoasentajan tehtäväksi.
Katso "Vikakoodi"	LCD-näyttö ei toimi	315/415	Ei pala	Yksi merkkiääni	LCD-kokoonpano on rikki tai LCD-kokoonpanon huono johdinliitäntä.	Jätä korjaukset pätevän huoltoasentajan tehtäväksi.

**FI**

## TAKUU

### EGON TAKUUEHDOT

Verkkosivustolta [egopowerplus.com](http://egopowerplus.com) löydät EGO:n takuukäytännön täydelliset ehdot.

## LES ALLE INSTRUKSJONER!



**LES BRUKERMANUALEN**

## SIKKERHETSSYMBOL

Hensikten med sikkerhetssymboler er å tiltrekke deg oppmerksomheten mot mulige farer. Sikkerhetssymbolene og forklaringene med dem fortjener nøye oppmerksomhet og forståelse. Symbolvarslene eliminerer ikke i seg selv noen fare. Instruksjonene og advarslene de gir, erstatter ikke riktige tiltak for å forhindre ulykker.

**⚠ ADVARSEL:** Sørg for å lese og forstå alle sikkerhetsinstruksjonene i denne brukerhåndboken, inkludert alle sikkerhetsvarselsymboler som "**FARE**", "**ADVARSEL**" og "**FORSIKTIG**" før du bruker dette verktøyet. Hvis du ikke følger alle instruksjonene nedenfor, kan det føre til elektrisk støt, brann og/eller alvorlig personskade.

## NO SYMBOLBETYDELSE

Denne siden viser og beskriver sikkerhetssymboler som kan vises på dette produktet. Les, forstå og følg alle instruksjonene på maskinen før du prøver å montere og bruke den.

## SIKKERHETSSYMBOLER



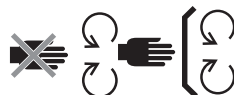
Sikkerhetsvarsel



Les og forstå brukerhåndboken



Øyebeskyttelse



Opprettholde sikkerhetsinnretninger



FARE - Fare for bratt skråning



FARE - Hold tilskuere borte fra bladene



Aldri bær barn



Se bak deg mens du rygger



ADVARSEL - Ikke bruk denne maskinen i skråninger som er større enn 12°



FARE - Objekter som kastes



ADVARSEL - HOLD HENDER OG FØTTER BORTE



Garantert lydeffektnivå. I henhold til det europeiske samfunnets direktiv.





Ikke gå



Elektriske avfallsprodukter skal ikke kastes sammen med husholdningsavfall. Send til en autorisert gjenvinner.



Dette produktet er i samsvar med gjeldende EF -direktiver



FORSIKTIG – Ikke stirr på driftslampen.



Likestrøm



Dette produktet er i samsvar med gjeldende britisk lovgivning.

kPa

Kilopascal

RPM

Omdreininger per minutt

V

Volt

m

Meter

i

Tommer

cm

Centimeter

Nm

Newton meter

mm

Millimeter

°C

Celsius

kg

Kilogram

km/t

Kilometer i timen

IPX4

Ingress beskyttelsesgrad

NO

## SIKKERHETSSYMBOLER



Informasjonen må noteres



Den angitte handlingen stopper

## SPESIFIKASJONER

Spenning		56 V
Dekkstørrelse		107 cm
Hjulstørrelse	Front	279,4 x 101,6 – 127 mm
	Bak	457,2 x 241,3 – 203.2 mm
Kaldt dekktrykk	Front	222,1 kPa
	Bak	110.3 kPa
Svingradius		0
Bladhastighet (RPM)		2400; 2600; 2800; 3000

Maksimal kjørehastighet	Framover	4,8 km/t, 8,1 km/t, 9,7 km/t, 11,3 km/t (12,8 km/t i reisemodus)
	Reverser	opp til 5,6 km/t
Lader	Lader (valgfritt)	CHV1600E
	Adapter (valgfritt)	ACA1000
	Ladetemperturområde	5°C - 40°C
Justering av klippehøyde (10 posisjoner)		25 - 100 mm
Driftstemperatur		0°C- 40°C
Lagertemperatur		-20°C - 70°C
Vekt (Uten batteripakke)		196 kg

Målt lydeffektnivå $L_{WA}$	96,44 dB(A) K=0,68 dB(A)	
Lydtrykknivå ved brukerens øre $L_{PA}$	84,3 dB(A) K=3,0 dB(A)	
Garantert lydeffektnivå $L_{WA}$ (målt i henhold til 2000/14/EF)	100 dB(A)	
Vibrasjon $a_h$	Hånd	1,221 m/s <sup>2</sup> K=1,5 m/s <sup>2</sup>
	Kropp	0,568 m/s <sup>2</sup> K=1,5 m/s <sup>2</sup>

**NO**

- Erklært total vibrasjonsverdi er målt i overensstemmelse med en standard testmetode og kan brukes til å sammenligne ett verktøy med et annet;
- Den deklarererte totale vibrasjonsverdien kan også brukes i en foreløpig vurdering av eksponering.

**MERKNAD:** Vibrasjonsutslippet under faktisk bruk av elektroverktøyet kan avvike fra den deklarererte verdien som verktøyet brukes i; For å beskytte brukeren, bør brukeren bruke hansker og hørselsvern under de faktiske bruksforholdene.

## ANBEFALT TILBEHØR

**⚠ ADVARSEL:** Bruk kun identiske reservedeler som er oppført nedenfor. Bruk av deler som ikke oppfyller de originale utstyrsspesifikasjonene kan føre til feil ytelse og svekket sikkerhet.

DELNAVN	MODELLNUMMER
Standard blad	AB4200
Høyløftblad	AB4201
Mulching Plug	AMP4200
Grass Bagger Kit	ABK4200-A
Bakre støtfanger	AMB1000
Lasteboks	AMG1000
Solskjerm	AMS1000

## BESKRIVELSE

### KJENN KLIPPEREN (Fig. A1)

1. Sete
2. Ladeport
3. Kraftenhet
4. LED baklyst
5. Oppbevaringsrom
6. LED sidelyst
7. Bakhjul (drivhjul)
8. Vaskeport
9. Dekk
10. Dekkbeskytter
11. Anti-skalp hjul
12. Forhjul
13. Parkerings-bremsepedal
14. Kjørelyst på dagtid
15. LED -frontlykter
16. Gasspedal
17. Fot-hvileområde
18. Sideutløpsrenne
19. Dekk-høydejusteringsspak
20. Justeringsknapp for setefjæring
21. Ratt
22. Høyre sideboks
23. Spak for justering av seteposisjon
24. Kraftuttaksbryter
25. Start/stopp-knapp
26. Sikkerhetsnøkkel
27. Telefonlagringsplass
28. Koppholdere
29. Venstre padle
30. Klipperstatusindikator
31. LCD skjerm
32. Høyre padle
33. Knapp for justering av bladhastighet
34. CCS-knapp

35. Kjøremodusknapp
36. LED lysbryter
37. Knapp for justering av kjørehastighet
38. Utløserknapp for kraftenhetsdeksel
39. Kraftenhetsdeksel
40. Strømenhet med seks batterirom
41. Batteriutløserknapp
42. Trekk
43. Monteringsdeksel for tilbehør
44. USB-port

### KJENN LCD-SKJERMEN (fig. A2)

Se avsnittet “**KLIPPESTATUSREFERANSE OG FEILKODE**” for mer informasjon om ikonene og indikatorene på LCD-skjermen.

1. Reverser ikon
2. CCS-ikon
3. Sikkerhetsnøkkelikon
4. LED -lysiikon
5. Autoparkeringsikon
6. USB -ikon
7. Bladestighetsindikator
8. Sikkerhetsstatusindikator
9. Timemeter
10. Ikon for ledig batterirom
11. Temperaturikon
12. Ikon for opptatt batterirom
13. Kjøremodus
14. Feilkodeindikator
15. Overbelastningsindikator
16. Lavstrømsindikator
17. Drivstoffmåler
18. Lastindikator
19. Kjørehastighetsindikator

## UTPAKKING

**MERKNAD:** Lagre emballasjen til du har inspisert produktet på en tilfredsstillende måte. Hvis noen deler på pakkelisten er montert på maskinen, må du umiddelbart kontakte EGO -service.

**MERKNAD:** Bortsett fra verktøyene under pakkelisten, er alle andre verktøy som er nevnt i manualene bare anbefalt, men ikke gitt.

**MERKNAD:** Ikke fjern skumblokken under rattet før rattet er riktig installert. Vibrasjoner under bevegelse kan forårsake skade på rattet.

### PAKKELISTE (FIG. B)

B-1	Zero Turn Ride-On klipper	B-2	Sete
B-3	Mulching Plug	B-4	Sokkelskruer (2 for sikkerhetskopiering)
B-5	Umbrakonøkkel	B-6	Socketnøkkel
B-7	Åpen skiftenøkkel	B-8	Sikkerhetsnøkler
B-9	Vask-port hurtigkobling	B-10	Brukerhåndbøker

NO

## MONTERING

### INSTALLERING AV SETET (Fig. C1 – C4)

**⚠ ADVARSEL:** Sikkerhetslåsesystemet må ikke kobles fra eller omgås. Hvis du gjør det, kan klipperen operere uventet og føre til personskade.

**MERKNAD:** For din egen sikkerhet kan klipperen slutte å kjøre ettersom setebryteren ble koblet fra under kjøring. I dette tilfellet, se delen “**FEILSØKING**” for mer informasjon.

C1-1	Stikkontakt	C1-2	Støpsel
C1-3	Kabel	C2-1	Setearm
C2-2	Opphengsbasis	C2-3	Umbrakonøkkel
C2-4	Sokkelskruer	C2-5	Spak for justering av seteposisjon

C3-1	Stålskinner	C3-2	Umbrakonøkkel
C3-3	Sokkelskruer	C4-1	Krok

### INSTALLERING AV RATTET (Fig. C5 – C6)

C5-1	Låsebolt	C5-2	Bar
C6-1	Lokaliseringsblokk	C6-2	Spor
C6-3	Rattbeskytter		

### MONTERING AV MULNINGSPLUGGEN (Fig. C7)

C7-1	Sideutløpsrenne	C7-2	Mulching Plug
C7-3	Bevegelig vår		

## NO JUSTERING

### FØR JUSTERING (Fig. D1)

### JUSTERING AV KLIPPEDEKKENS HØYDE (Fig. D2)

### JUSTERING AV ANTISKALP-HJULENE (Fig. D3 – D6)

D3-1	Anti-skalp hjul	D5-1	Mutter
D5-2	Lug Bolt	D6-1	Dekkhøydeetikett

### JUSTERING AV SETEN (Fig. D7)

D7-1	Spak for justering av seteposisjon	D7-2	Justeringsknapp for setefjæring
------	------------------------------------	------	---------------------------------

### JUSTERING AV RATTET (Fig. D8)

D8-1	Låsebolt	D8-2	Bar
D8-3	Lokaliseringsblokk	D8-4	Spor

## OPERASJON

### FØR BRUK (Fig. E1)

### INNSTILLING AV PARKERINGSBREMSSEN (Fig. E2)

E2-1	Utgitt posisjon	E2-2	Bremseposisjon
------	-----------------	------	----------------

**MERKNAD:** Trå aldri ned parkeringsbremsen for å redusere hastigheten. Når parkeringsbremsepedalen er trykket langt nok ned, men ikke til full parkeringsposisjon, vil klipperen slutte å bevege seg på et flatt underlag. Hvis dette imidlertid skjer i en skråning, kan klipperen gli nedover skråningen.

### TILKOBLE / FRA BATTERIPAKKEN (Fig. E3 – E6)

For å starte denne klipperen kreves EGO-batterier på totalt 15 Ah (2 X BA4200/BA4200T) eller mer. For best ytelse anbefaler vi bruk av EGO-batterier på totalt 30 Ah eller mer.

E3-1	Deksel utløserknapp	E5-1	Batteriutløserknapp
------	---------------------	------	---------------------

### LADING AV KLIPPEREN

Bruk kun med anbefalte batteripakker og ladere.

- Lad batteripakken(e) separat (fig. E7)

**MERKNAD:** Se tilhørende batteri- og ladermanualer for detaljerte instruksjoner.

- Lad batteripakken(e) via ladeporten (fig. E8-E10)

E10-1	Støvhette	E10-2	Ladeport
-------	-----------	-------	----------

### TESTING AV SIKKERHETSSPELSESYSTEMET

- For å teste dekkbladsystemet (fig. E11 – E12)
- For å teste kjøresystemet (fig. E13 – E14)

Hvis dekkbladsystemet og/eller kjøresystemet ikke stopper når operatøren er ute av setet og hvis årsaken ikke kan fastslås etter å ha bekreftet at støpsel- og stikkontaktforbindelsen til setet er godt tilkoblet, kontakt EGO kundeservicesenter umiddelbart.

### SJEKKLISTE FØR BRUK

- Sørg for at arbeidsområdet er fritt for barn, tilskuere og kjæledyr.
- Rydd arbeidsområdet for gjenstander som kan bli kastet av klippeknivene.
- Fjern rusk fra klipperen.
- Se etter løse fester.
- Kontroller at alle verner er på plass og fungerer som de skal.

- Sjekk dekkene visuelt om de er pumpet opp.
- Kontroller bremsefunksjonen.
- Juster dekkhøyden til ønsket klippeposisjon som passer best for plenen, og juster antiskalperingshjul deretter.
- Juster seteposisjonen og sørg for at begge pedalene kan nås.
- Juster rattet til ønsket posisjon om nødvendig.
- Kontroller batteriladenivået.
- Test sikkerhetssperresystemet.

### STARTE KLIPPEREN (Fig. E15 – Fig. E16)

**⚠ ADVARSEL:** Unngå plutselige oppstarter, stopper og svinger, samt for høy hastighet, spesielt når du først lærer å bruke gressklipperen. Gressklipperen kan snurre raskt, noe som kan føre til at du mister kontrollen og kan føre til alvorlig personskade og/eller skade.

**⚠ ADVARSEL:** Før du starter klipperen, kontroller og sørg for at knivene er frigjort innen 5 sekunder når du skyver kraftuttaket nedover. Hvis knivene ikke stopper, må du ikke bruke klipperen og kontakte din EGO kundeservice umiddelbart.

**MERKNAD:** Følg Fig. E17 & Fig. E18 for å få den laveste kjørehastigheten og STANDARD kjøremodus til du er fullt i stand til å betjene klipperen i alle situasjoner.

Klipperen vil lagre og presentere forrige kjøremodus, kjørehastighet og kalibrering av rattet når den startes på nytt.

### JUSTERING AV KJØREMODUS (fig. E17)

- **KONTROLL:** Lavere akselerasjon, mindre sensitiv håndtering og mild svinghastighet for å beskytte gresset og for nye brukere.
- **STANDARD:** Perfekt til daglig bruk.
- **SPORT:** Høyere akselerasjon, nøyaktig håndtering og skarp svinging for å maksimere klippeeffektiviteten og for klippeentusiaster.

**MERK:** Kjøremodusen kan ikke justeres under kjøring. Funksjonen aktiveres kun når klipperhjulene er stoppet.

### Justering av kjørehastighet (fig. E18)

**MERK:** Når du er i "TURBO"-modus, trykker du på "-", kjørehastigheten går tilbake til forrige modus.

### Justering av knivhastighet (fig. E19)

#### LED lys

- Hovedlysene, sidelysene og baklysene styres av LED-lysbryteren.
- Kjørellysene lyser alltid under kjøring.
- Ved rygging, hvis baklysene er slått av, vil de blinke for å advare tilskuere; hvis baklysene er slått på, vil de forbli på.
- Alle lys vil slå seg av automatisk når klipperen slår seg av automatisk etter en periode uten drift.

#### USB-port

**MERKNAD:** USB-porten gir ladeeffekt på 5 spennings likestrøm ved opp et kombinert trekk på 1,5 ampere og får strøm bare når klipperen starter opp

### STANSE KLIPPEREN (Fig. E20)

**MERKNAD:** Etter mer enn 60 minutter uten drift, vil klipperen automatisk slå seg av.

#### Limp-Home-modus

Når batteriladingen blir kritisk lav, vil klipperen gå inn i Limp-Home-modus for å beholde nok strøm til å reise tilbake til ladeområdet.

- Knivene går over til lav rotasjonshastighet, som bare kunne kutte svært lite gress. Ved å møte høyt og tett gress, vil knivene slutte å rotere. Lydindikatoren vil lyde (pipe) med jevn mellomrom.
- Klipperstatusindikatoren vil blinke rødt hvert sekund, både lavstrømsindikatoren og batterigrafikken på drivstoffmåleren vil blinke.

Operatøren bør:

- Skyv kraftuttaksbryteren nedover for å slå av bladmotorene. Lydindikatoren slutter å høres når bladmotorene stopper.
- Slutt å jobbe og kom deg til ladeområdet så snart som mulig. Den maksimale avstanden klipperen kan kjøre er 1000m.

Når batteriet er nesten tomt, vil ikonet for hvert opptatt batterirom og lavstrømsindikator blinke hvert halve sekund. Klipperen slutter å fungere umiddelbart. Operatøren må transportere klipperen til ladeområdet for lading.

NO

**MERKNAD:** Hvis manuell skyving er nødvendig, sørg for at batteriene er koblet fra klipperen og at parkeringsbremspedalen er frigjort fra bremseposisjonen.

### KJØRING AV KLIPPEREN (Fig. E21)

**▲ FARE:** Hold deg minst to klippebredder unna eventuelle grøfter, fall eller vann. Forhjulene kan rotere når klipperen er stoppet, selv om bremsen er trukket på, og føre til at klipperen går over kanten eller i vannet og kan føre til død eller alvorlig personskade.

**▲ ADVARSEL:** Vær oppmerksom på hva som ligger bak klipperen før du rygger. IKKE klipp i revers hvis det ikke er absolutt nødvendig. Se alltid ned og bak før og mens du rygger for å sikre at ingen barn, tilskuere eller kjæledyr kommer inn i klippeområdet. Husk at en uforsiktig brøkdel av et sekund er tilstrekkelig til å påføre død eller alvorlig skade.

**▲ ADVARSEL:** Ikke bruk denne maskinen på offentlige veier.

**▲ ADVARSEL:** Hvis det oppstår blokkering eller du rammer et fremmedlegeme, må du stoppe motorene og fjerne batteriene. Fjern gressklipp, blader, smuss og annet oppsamlet rusk; inspiser gressklipperen grundig for skader og reparer den før du starter og bruker klipperen på nytt.

### BRUKE CRUISE CONTROL (CCS)

For å aktivere CCS under kjøring (fig. E22)

**MERK:** Kjørehastighetsnivået vist på LCD-skjermen representerer kanskje ikke nøyaktig den faktiske kjørehastigheten til klipperen i cruise control. Trykk på en av hastighetsjusteringsknappene (“←” eller “→”) for å “oppdatere” og justere kjørehastighetsnivået på LCD-skjermen.

For å gå ut av CCS og stoppe klipperen, kan du velge en av de fire måtene:

- Trå lett ned gasspedalen og slipp den så.
- Trekk venstre/høyre padle(r) mot operatøren og slipp deretter.
- Trå inn parkeringsbremspedalen.
- Trykk på CCS-knappen.

**MERK:** Trå ned gasspedalen helt for å oppnå gjeldende CCS-kjørehastighet og fortsett å trykke ned. CCS-funksjonen stopper og klipperen fortsetter å kjøre med gjeldende hastighet.

### VEDLIKEHOLD

**▲ ADVARSEL:** Bruk alltid vernebriller med sidebeskyttelse. Hvis du ikke gjør det, kan det føre til at ting blir kastet i øynene dine og kan føre til alvorlig personskade.

**▲ ADVARSEL:** Beskytt alltid hendene dine ved å bruke tunge hansker eller pakke skjærekantene med filler eller annet materiale når du utfører vedlikehold på klipperen. Fjern alltid sikkerhetsnøkkelen og batteripakkene når du utfører service eller transporterer klipperen.

Vedlikeholds-tjenesteintervall	Vedlikeholdsprosedyre
Før hver bruk eller daglig	<ul style="list-style-type: none"> <li>▪ Kontroller sikkerhetslåsesystemet.</li> <li>▪ Sjekk dekkene visuelt om de er pumpet opp.</li> <li>▪ Inspiser knivene.</li> <li>▪ Inspiser hele produktet for skadede, manglende eller løse deler som sideutløpsrenne, skruer, muttere, bolter, hetter osv., og sørg for at alle beskyttelser er på plass og fungerer som de skal.</li> <li>▪ Sjekk og sørg for at gasspedalen kan trykkes ned og slippes riktig.</li> <li>▪ Sjekk rattdemperen. Rattet bør roteres med en viss motstand.</li> </ul>
Etter hver bruk	<ul style="list-style-type: none"> <li>▪ Rengjør klippeenheten.</li> </ul>
Hver 25. time	<ul style="list-style-type: none"> <li>▪ Kontroller dekktrykket.</li> </ul>
Hver 100. time	<ul style="list-style-type: none"> <li>▪ Kontroller bakhjulene, og sørg for at alle låsemuttere er festet med anbefalt dreiemoment.</li> </ul>
Hver 200. time	<ul style="list-style-type: none"> <li>▪ Kontroller forhjulene og sørg for at de svinger fritt.</li> </ul>



Før lagring	<ul style="list-style-type: none"> <li>▪ Ta ut batteriene fra klipperen.</li> <li>▪ Fjern sikkerhetsnøkkelen fra klipperen.</li> <li>▪ Utfør alle vedlikeholdsprosedyrene som er oppført ovenfor og rengjør klipperen grundig.</li> <li>▪ Inspiser hele produktet for skadede, manglende eller løse deler, bytt ut eller stram til de tilsvarende før lagring.</li> </ul>
Årlig	<ul style="list-style-type: none"> <li>▪ Sjekk parkeringsbremsepedalen. Ta ut batteriet fra klipperen og sett parkeringsbremsen i bremseposisjon. Skyv klipperen manuelt forover for å se om klipperen kan flyttes eller ikke. Hvis den beveger seg, få den til service av en kvalifisert servicetekniker.</li> </ul>

## GENERELT VEDLIKEHOLD

### Rengjøring av klipperhuset (fig. F1 – F2)

### Bruke vaskeporten til å rengjøre klippeaggregatet (fig. F3 – F4)

F2-1	Vaskeport	F2-2	Vask-port hurtigkobling
F2-3	Hageslange		

**MERKNAD:** Når du er ferdig med rengjøringen, slå av klipperen helt og fjern deretter hageslangen og hurtigkoblingen.

## VEDLIKEHOLD AV KLIPPERDEKKET OG KLIPPEBLADEN

### FORBEREDELSE (fig. G1)

### Fjerning av klippeaggregatet (fig. G2 – G3)

G2-1	Motorkabel	G2-2	Suspensjonskobling
G2-3	Splint		

**MERKNAD:** Koble fra alle motorkabler og splinter når du fjerner dekket til klipperen.

### Bytte av skjærebladene (fig. G4 – G6)

G4-1	Stabilisator	G5-1	Bolt
G5-2	Vasker	G5-3	Blad
G5-4	Flens	G5-5	Motoraksel

### Utjevning av klippeenheten

#### a. Når skal du nivåere (fig. G7 – G9)

#### b. Før nivellering

- Kontrollere kaldt dekktrykk (fig. G10)
- Sjekk skjærebladene. Fjern og skift ut slitte, sprukne og/eller bøyd kniver etter behov.

#### c. Forberedelse for utjevning (fig. G11)

#### d. Hvordan nivellere

- For å gjøre side-til-side-justering (fig. G12)
- For å foreta justering foran til bak (fig. G13)

NO

## KALIBRERING AV KLIPPERENS SPORINGSSYSTEM (Fig. H1 – H2)

**MERKNAD:** Pipeindikatoren vil høres én gang både når du starter kalibreringen og når kalibreringen er ferdig.

**MERK:** Kalibreringen som er fullført for en av kjøremodusene ("KONTROLL", "STANDARD", "SPORT") er kanskje ikke tilgjengelig for de to andre modusene. Kalibrer rattet i hver kjøremodus uavhengig etter behov.

## TILBAKESTILLE KLIPPEREN TIL GRUNNINNSTILLINGER (Fig. I)

**MERKNAD:** Pipindikatoren vil lyde én gang både når du starter tilbakestillingen og når tilbakestillingen er fullført.

**MERK:** Når tilbakestillingen er vellykket, vil innstillingene nedenfor gå tilbake til de opprinnelige fabrikkinnstillingene:

- kjøremodus
- kjørehastighet
- kalibrering av rattet

## LAGRING OG TRANSPORT

### TRANSPORT AV KLIPPEREN (Fig. J1 – J5)

**MERKNAD:** Fest klipperen etter behov, bruk stropper eller kabler for å hindre bevegelse under transport.

## LAGRING (Fig. K1 — K2)

**MERKNAD:** Ta ut batteriene og lagre batteriene, se de tilhørende håndbøkene.

Rengjør og kontroller klipperen før lagring, se avsnittene "RENGJØRING AV KLIPPEREN" og "ANBEFALT VEDLIKEHOLDSPLAN(ER)".

### Beskytter miljøet



WEEE (elektrisk og elektronisk avfall) Ikke kast elektrisk utstyr, brukt batteri og lader i husholdningsavfallet! Ta med dette produktet

til autorisert gjenvinning, og gjør det tilgjengelig for separat innsamling. Elektriske verktøy må returneres til et egnet resirkuleringsanlegg.

NO



## FEILSØKING

PROBLEM	ÅRSAK	LØSNING
Nullsving-kjøreklipperen klarer ikke å kjøre når gasspedalen trykkes ned.	<ul style="list-style-type: none"> <li>Den kombinerte Ah av de innsatte batteriene oppfyller ikke kravet.</li> </ul>	<ul style="list-style-type: none"> <li>For å starte denne klipperen må du bruke tilstrekkelig EGO-batterier i henhold til instruksjonene i avsnittet «<b>FESTE/LØSNE BATTERIPAKKEN</b>» i denne håndboken.</li> </ul>
	<ul style="list-style-type: none"> <li>Parkeringsbremsepedalen er satt i bremseposisjon.</li> </ul>	<ul style="list-style-type: none"> <li>Trykk parkeringsbremsepedalen helt ned for å slippe den fra bremsestillingen.</li> </ul>
	<ul style="list-style-type: none"> <li>Både venstre og høyre skovl trekkes ikke kort mot operatøren for å få klipperens statusindikator til å lyse grønt når klipperen startes.</li> </ul>	<ul style="list-style-type: none"> <li>Trekk <b>BÅDE</b> venstre og høyre padleåre mot operatøren samtidig og slipp deretter. Klipperstatusindikatoren vil lyse grønt, noe som betyr at klipperen er klar til å starte.</li> </ul>
	<ul style="list-style-type: none"> <li>Operatøren sitter ikke på setet.</li> </ul>	<ul style="list-style-type: none"> <li>Bare når operatøren sitter riktig på setet, kan han betjene klipperen.</li> </ul>
	<ul style="list-style-type: none"> <li>Setebryteren er ikke riktig tilkoblet.</li> </ul>	<ul style="list-style-type: none"> <li>Ta batteriet ut av gressklipperen og demonter setet i omvendt rekkefølge av instruksjonene i avsnittet "<b>INSTALLERE SETET</b>" i denne håndboken for å sikre at kabelpluggen er riktig koblet til stikkkontakten på bunnen av setet. Sett sammen setet igjen og følg instruksjonene i "<b>STARTE KLIPPEREN</b>" for å starte klipperen på nytt for å se om klipperen kan startes. Hvis ikke, kontakt en kvalifisert servicetekniker for reparasjon.</li> </ul>
	<ul style="list-style-type: none"> <li>Under ekstremt kaldt vær kan det hende at kjørefunksjonen ikke starter vellykket på grunn av den lave temperaturbeskyttelsen.</li> </ul>	<ul style="list-style-type: none"> <li>Oppbevar alltid klipperen og batteriet i varme omgivelser. Start klipperen på nytt når den er varm. Ikke gjør gjentatte forsøk under ekstremt kaldt vær som kan skade maskinen.</li> </ul>
	<ul style="list-style-type: none"> <li>Kjørebanelen til gasspedalen er tilstoppet med rusk.</li> </ul>	<ul style="list-style-type: none"> <li>Sjekk og fjern rusk.</li> </ul>
	<ul style="list-style-type: none"> <li>Feil på mekaniske eller elektroniske komponenter i gasspedalen.</li> </ul>	<ul style="list-style-type: none"> <li>Kontakt en kvalifisert servicetekniker for reparasjon.</li> </ul>

**NO**

PROBLEM	ÅRSAK	LØSNING
<b>NO</b> Nullsving- kjøreklipperen slutter å kjøre.	<ul style="list-style-type: none"> <li>Venstre / Høyre padle krever en "reset".</li> </ul>	<ul style="list-style-type: none"> <li>Trekk venstre/høyre padler mot operatøren og slipp dem. Klipperen er klar til kjøring når statusindikatoren lyser grønt.</li> </ul>
	<ul style="list-style-type: none"> <li>Feil på elektroniske komponenter i gasspedalen.</li> </ul>	<ul style="list-style-type: none"> <li>Kontakt en kvalifisert servicetekniker for reparasjon.</li> </ul>
	<ul style="list-style-type: none"> <li>Setesikringssystemet ble koblet fra under kjøring i ulendt terreng.</li> </ul>	<ul style="list-style-type: none"> <li>Ta batteriet ut av gressklipperen og demonter setet i omvendt rekkefølge av instruksjonene i avsnittet <b>"INSTALLERE SETET"</b> i denne håndboken for å sikre at kabelpluggen er riktig koblet til stikkontakten på bunnen av setet. Sett sammen setet igjen og følg instruksjonene i <b>"STARTE KLIPPEREN"</b> for å starte klipperen på nytt for å se om klipperen kan startes. Hvis ikke, kontakt en kvalifisert servicetekniker for reparasjon.</li> </ul>
	<ul style="list-style-type: none"> <li>Førerens vekt er ikke jevnt fordelt på setet. Vekten til føreren på setet må være minst 20 kg for at setets sikkerhetslåsesystem skal fungere skikkelig</li> </ul>	<ul style="list-style-type: none"> <li>Sitt riktig på setet, trekk venstre/høyre eller begge padlene mot operatøren og slipp dem, så er klipperen klar til kjøring.</li> </ul>
	<ul style="list-style-type: none"> <li>Parkeringsbremsen trykkes ned for å redusere kjørehastigheten. Når parkeringsbremsepedalen er trykket nok inn, men ikke til parkeringsposisjon, vil klipperen stoppe.</li> </ul>	<ul style="list-style-type: none"> <li>Koble fra og sett på batteripakken igjen om nødvendig.</li> </ul>
<ul style="list-style-type: none"> <li>Kjøremodusen kan ikke justeres under kjøring.</li> </ul>	<ul style="list-style-type: none"> <li>Følg instruksjonene i <b>"STARTE KLIPPEREN"</b> for å starte klipperen på nytt.</li> </ul>	<ul style="list-style-type: none"> <li>Funksjonen aktiveres kun når klipperhjulene er stoppet.</li> </ul>

PROBLEM	ÅRSAK	LØSNING
<p>Nullturs-kjøreklipperen starter ikke knivene når kraftuttaket aktiveres.</p>  Kraftuttaksbryterikonet blinker	<ul style="list-style-type: none"> <li>Den kombinerte Ah av de innsatte batteriene oppfyller ikke kravet.</li> </ul>	<ul style="list-style-type: none"> <li>For å starte denne klipperen må du bruke tilstrekkelig EGO-batterier i henhold til instruksjonene i avsnittet «<b>FESTE/LØSNE BATTERIPAKKEN</b>» i denne håndboken.</li> </ul>
	<ul style="list-style-type: none"> <li>Kraftuttaksbryteren ble ikke trykket ned da klipperen ble slått av forrige gang.</li> </ul>	<ul style="list-style-type: none"> <li>Skyv kraftuttaket ned og deretter opp for å starte bladmotorene på nytt.</li> </ul>
	<ul style="list-style-type: none"> <li>Klipperen er overbelastet i det øyeblikket knivene begynner å rotere, noe som utløser motorens selvbeskyttelse.</li> </ul>	<ul style="list-style-type: none"> <li>Start gressklipperen med å klippe med lavere knivhastighet først og ikke akselerer knivhastigheten før knivene roterer vellykket.</li> </ul>
	<ul style="list-style-type: none"> <li>Under ekstremt kaldt vær kan det hende at bladmotoren ikke starter med hell på grunn av beskyttelsen mot lav temperatur.</li> </ul>	<ul style="list-style-type: none"> <li>Oppbevar alltid klipperen og batteriet i varme omgivelser. Start klipperen på nytt når den er varm. Ikke gjør gjentatte forsøk under ekstremt kaldt vær som kan skade maskinen.</li> </ul>
	<ul style="list-style-type: none"> <li>Kniven forstyrrer det deformerte klippeaggregatet</li> </ul>	<ul style="list-style-type: none"> <li>Ring EGO kundeservicesenter.</li> </ul>
	<ul style="list-style-type: none"> <li>Klipperen kjører med "REISE"-hastighet.</li> </ul>	<ul style="list-style-type: none"> <li>Når klipperen kjører med "REISE"-hastighet, stopper knivmotorene automatisk.</li> </ul>

**NO**

PROBLEM	ÅRSAK	LØSNING	
Knivene slutter å virke under gressklipping.	<ul style="list-style-type: none"> <li>▪ Klipperen er overbelastet.</li> </ul>	<ul style="list-style-type: none"> <li>▪ Øk klippeenhetens klippehøyde eller senk kjørehastigheten for å redusere klipperen.</li> </ul>	
	<ul style="list-style-type: none"> <li>▪ Klippeenheten er tett med gress og rusk.</li> </ul>	<ul style="list-style-type: none"> <li>▪ Rengjør klippeenheten og sørg for at bladene har bevegelsesfrihet.</li> </ul>	
	<ul style="list-style-type: none"> <li>▪ Klipperen er overopphetet.</li> </ul>	<ul style="list-style-type: none"> <li>▪ Reduser klipperen, ved å øke klippehøyden på klippeenheten eller senke bladet/kjørehastigheten og la gressklipperen kjøle seg ned.</li> </ul>	
	<ul style="list-style-type: none"> <li>▪ Batteripakke(n) i klipperens batterirom er overopphetet, noe som resulterer i at kombinert Ah-klassifisering av alle innsatte batterier ikke oppfyller kravet.</li> </ul>		<ol style="list-style-type: none"> <li>1. Klipperen kan fortsette å fungere hvis den kombinerte batteri Ah-klassifiseringen, ekskludert overopphetet batteri, oppfyller kravet. Når det overopphetede batteriet går tilbake til normal temperatur, vil det slå på slåmaskinen umiddelbart.</li> </ol>
			<ol style="list-style-type: none"> <li>2. Hvis den kombinerte batteri Ah-klassifiseringen ikke oppfyller kravet, vil ikke klipperen fungere før flere batteripakker er satt inn i de ledige batterirommene.</li> </ol>
			<ol style="list-style-type: none"> <li>3. Reduser klipperens belastning ved å heve klippehøyden på dekket eller bremse klippingen når du fortsetter driften.</li> </ol>
	<ul style="list-style-type: none"> <li>▪ Gressklipperen er i limp-home-modus.</li> </ul>	<ul style="list-style-type: none"> <li>▪ Når klipperen er i Limp - Home-modus, skiftes knivene automatisk til lav rotasjonshastighet. Operatøren bør slutte å jobbe og kjøre til batteriets ladeområde så snart som mulig.</li> </ul>	
	<ul style="list-style-type: none"> <li>▪ Klipperen blir truffet av et fremmedlegeme, noe som resulterer i selvbeskyttelse av motoren.</li> </ul>	<ul style="list-style-type: none"> <li>▪ Skyv kraftuttaket ned og deretter opp for å starte bladmotorene på nytt.</li> </ul>	
<ul style="list-style-type: none"> <li>▪ Klipperhastigheten justeres til "REISE"-modus.</li> </ul>	<ul style="list-style-type: none"> <li>▪ Når klippehastigheten er i "REISE"-modus, stopper knivmotorene automatisk.</li> </ul>		
Lydindikatoren fortsetter å høres.	<ul style="list-style-type: none"> <li>▪ Klipperen er i Limp-home-modus og knivene er ikke slått av.</li> </ul>	<ul style="list-style-type: none"> <li>▪ Skyv kraftuttaksbryteren ned for å slå av bladmotorene. Lydindikatoren slutter å høres når bladmotorene er slått av.</li> </ul>	
	<ul style="list-style-type: none"> <li>▪ Klipperen slutter å kjøre i en skråning og føreren er ute av setet uten å sette på parkeringsbremsepedalen i bremseposisjon.</li> </ul>	<ul style="list-style-type: none"> <li>▪ Sett parkeringsbremsepedalen i bremseposisjon før du lar klipperen stå i skråningen.</li> </ul>	

PROBLEM	ÅRSAK	LØSNING
Batteriindikatorene er fortsatt på når klipperen slås av.	<ul style="list-style-type: none"> <li>Når klipperen er slått av på bakken uten å fjerne batteripakken(e) fra klipperen, vil batteriindikatorene, start/stopp-knappen og CCS-knappen forbli opplyst i en periode.</li> </ul>	<ul style="list-style-type: none"> <li>Ingen handling er nødvendig. Batteriindikatorene slukker når klipperen slår seg av etter en periode. Se avsnittet «<b>STOPPE KLIPPEREN</b>» for en spesifikk periode.</li> </ul>
	<ul style="list-style-type: none"> <li>Når klipperen slås av i en skråning uten å sette på parkeringsbremsen i bremseposisjon, vil batteriindikatorene fortsette å lyse til batteriladingen er utladet. Lydindikatoren fortsetter å høres samtidig.</li> </ul>	<ul style="list-style-type: none"> <li>Sett parkeringsbremsepedalen i bremseposisjon før du lar klipperen stå i skråningen.</li> </ul>
LCD -skjermen lyser ikke med alle ikoner på.	<ul style="list-style-type: none"> <li>Start/stopp-knappen har blitt trykket i tilstrekkelig tid.</li> </ul>	<ul style="list-style-type: none"> <li>LCD-skjermen vil bare vise "drivstoffmåleren" når start/stopp-knappen trykkes kort.</li> </ul>
		<ul style="list-style-type: none"> <li>LCD-skjermen vil slå seg på etter at start/stopp-knappen har blitt trykket lenge nok.</li> </ul>
Klipperen klipper ujevnt, med betydelig høydeforskjell foran til bak.	<ul style="list-style-type: none"> <li>Bladene er sløve.</li> </ul>	<ul style="list-style-type: none"> <li>Slip eller bytt skjærebladet som beskrevet i denne håndboken.</li> </ul>
	<ul style="list-style-type: none"> <li>Bladene er bøyd.</li> </ul>	<ul style="list-style-type: none"> <li>Bytt det bøyde skjærebladet etter instruksjonene i avsnittet «<b>SKIFTE KUTTEBLADENE</b>».</li> </ul>
	<ul style="list-style-type: none"> <li>Klippeenheten er ikke jevn, noe som resulterer i forskjellig klippehøyde.</li> </ul>	<ul style="list-style-type: none"> <li>Rett opp klipperen ved å følge instruksjonene i avsnittet «<b>NIVÅJUSTERING AV KLIPPEREN</b>».</li> </ul>
Den faktiske gressklippehøyden er ikke på linje med den påståtte høyden.	<ul style="list-style-type: none"> <li>Klippeenhetens muttere er løsnet på fjæringsleddet</li> </ul>	<ul style="list-style-type: none"> <li>Følg instruksjonene i avsnittet «<b>UTJEVNING AV KLIPPERDEKKET</b>» for å foreta korrekt front-til-bak-justering for klippeaggregatet og stram mutterne på opphengsleddet.</li> </ul>
	<ul style="list-style-type: none"> <li>Klippeenheten er skadet eller alvorlig slitt.</li> </ul>	<ul style="list-style-type: none"> <li>Følg instruksjonene i avsnittet «<b>FJERNE KLIPPERENHETEN</b>» for å bytte klippeenhet.</li> </ul>
Slåmaskinen klipper ikke ordentlig.	<ul style="list-style-type: none"> <li>Våt gressklipp fester seg til undersiden av dekket.</li> </ul>	<ul style="list-style-type: none"> <li>Vent til gresset tørker før du klipper.</li> </ul>
	<ul style="list-style-type: none"> <li>Klipperen klipper for mye gress samtidig.</li> </ul>	<ul style="list-style-type: none"> <li>Hev klippehøyden på dekket.</li> </ul>

**NO**

PROBLEM	ÅRSAK	LØSNING
Overdreven vibrasjon.	<ul style="list-style-type: none"> <li>▪ Skjærebladene er løse.</li> </ul>	<ul style="list-style-type: none"> <li>▪ Stram til knivbolten til anbefalt tiltrekkingmoment.</li> </ul>
	<ul style="list-style-type: none"> <li>▪ Bladene er bøyd.</li> </ul>	<ul style="list-style-type: none"> <li>▪ Bytt det bøyd skjærebladet etter instruksjonene i avsnittet "<b>SKIFTE KUTTEBLADENE</b>".</li> </ul>
	<ul style="list-style-type: none"> <li>▪ Klippeenheten står ikke på jevnt underlag.</li> </ul>	<ul style="list-style-type: none"> <li>▪ Rett opp klipperen ved å følge instruksjonene i avsnittet "<b>NIVÅJUSTERING AV KLIPPEREN</b>".</li> </ul>
	<ul style="list-style-type: none"> <li>▪ Klippeenhetens muttere er løsnet på fjæringsleddet.</li> </ul>	<ul style="list-style-type: none"> <li>▪ Stram mutterne på opphengsleddet.</li> </ul>
	<ul style="list-style-type: none"> <li>▪ Klipperen er satt til å klippe for mye gress på en gang.</li> </ul>	<ul style="list-style-type: none"> <li>▪ Hev klippehøyden på dekket.</li> </ul>
<b>NO</b> Det er gress eller rusk igjen på bakken etter klipping.	<ul style="list-style-type: none"> <li>▪ Klipperen skal klippe for mye gress samtidig når gresset er høyt.</li> </ul>	<ul style="list-style-type: none"> <li>▪ Begynn med høy klippehøyde og reduser den til ønsket klipperesultat er oppnådd. Gress over 152 mm høyt bør klippes to ganger, ved suksessivt lavere klippehøyder.</li> </ul>
	<ul style="list-style-type: none"> <li>▪ Gresset er vått.</li> </ul>	<ul style="list-style-type: none"> <li>▪ Ikke klipp når gresset er vått før gresset tørker.</li> </ul>
	<ul style="list-style-type: none"> <li>▪ Kjørehastigheten er høy.</li> </ul>	<ul style="list-style-type: none"> <li>▪ Senk kjørehastigheten.</li> </ul>
	<ul style="list-style-type: none"> <li>▪ Bladhastigheten er lav.</li> </ul>	<ul style="list-style-type: none"> <li>▪ Øk bladhastigheten gradvis.</li> </ul>
Kort driftstid på klipperen med inkludert batteri.	<ul style="list-style-type: none"> <li>▪ Plenterreng, gressforhold, klippehøydeinnstilling, kjørehastighet, knivhastighet osv. vil ha stor innvirkning på kjøretiden.</li> </ul>	<ul style="list-style-type: none"> <li>▪ Øk klippehøyden og reduser bladhastigheten for å redusere klippelasten.</li> </ul>
Klipperen følger ikke rett.	<ul style="list-style-type: none"> <li>▪ Dekktrykket for venstre og høyre bakhjul er forskjellige.</li> </ul>	<ul style="list-style-type: none"> <li>▪ Kontroller og juster lufttrykket i begge bakhjulsdekkene, i henhold til avsnittet "<b>SPESIFIKASJONER</b>".</li> </ul>
	<ul style="list-style-type: none"> <li>▪ Kjørehastigheten for venstre og høyre bakhjul er forskjellig.</li> </ul>	<ul style="list-style-type: none"> <li>▪ Kalibrer rattet ved å følge instruksjonene i avsnittet "<b>KALIBRERING AV KLIPPERENS SPORINGSSYSTEM</b>".</li> </ul>
Parkeringsbremsepedalen kan ikke frigjøres fra bremseposisjonen eller er sakte med å springe tilbake.	<ul style="list-style-type: none"> <li>▪ Det kan komme rusk eller skitt inn i parkeringsbremsepedalen.</li> </ul>	<ul style="list-style-type: none"> <li>▪ Åpne parkeringsbremsepedalboksen for å rengjøre boksen inni grundig og lukk den. Tilbakestill parkeringsbremsepedalen for å se om problemet er løst. Hvis ikke, kontakt en kvalifisert servicetekniker for reparasjon.</li> </ul>

PROBLEM	ÅRSAK	LØSNING
Gressklipperen kan ikke lades via ladeporten med statusindikatoren for klipperen lyser rødt.	<ul style="list-style-type: none"> <li>Pluggen til laderen er ikke satt riktig inn i ladeporten på klipperen.</li> </ul>	<ul style="list-style-type: none"> <li>Koble til ladepluggen igjen for å se om klipperen kan lades normalt.</li> </ul>
	<ul style="list-style-type: none"> <li>Det er ingen strøm i stikkontaktene.</li> </ul>	<ul style="list-style-type: none"> <li>Ingen handling er nødvendig. Vent til strømmen kommer seg tilbake.</li> </ul>
	<ul style="list-style-type: none"> <li>Laderfeil.</li> </ul>	<ul style="list-style-type: none"> <li>Ring EGO kundeservicesenter for inspeksjon og få laderen reparert om nødvendig.</li> </ul>
	<ul style="list-style-type: none"> <li>Laderporten på klipperen er defekt.</li> </ul>	<ul style="list-style-type: none"> <li>Ring EGO kundeservicesenter.</li> </ul>
Ladetiden via ladeporten for klipperen er for lang.	<ul style="list-style-type: none"> <li>Bruk av EGO Adapter ACA1000 for lading krever lang tid.</li> </ul>	<ul style="list-style-type: none"> <li>Bruk EGO-laderen CHV1600E for å lade nullturskjøreklipperen direkte.</li> </ul>
Batteriet kan ikke lades fullstendig via ladeporten for klipperen.	<ul style="list-style-type: none"> <li>Fastvarefeil på klipperen eller batteriet eller laderfeil.</li> </ul>	<ul style="list-style-type: none"> <li>Tilbakestill laderen ved å koble fra laderen og vente i mer enn flere minutter. Koble deretter støpset til strømforsyningen igjen. Hvis dette ikke løser problemet, ring EGOs kundeservicesenter.</li> </ul>
Gressklipperen kan ikke startes etter rengjøring.	<ul style="list-style-type: none"> <li>Feil rengjøring, som for eksempel vann på de elektriske komponentene, LCD-skjermen osv.</li> </ul>	<ul style="list-style-type: none"> <li>Følg instruksjonene i avsnittet "<b>GENERELT VEDLIKEHOLD</b>" for å rengjøre klipperen på riktig måte.</li> </ul>
		<ul style="list-style-type: none"> <li>Hvis gressklipperen kommer i regn ved et uhell, la den stå i luften for å tørke eller bruk trykkluft for å tørke den.</li> </ul>
Klippeaggregatet blir fort tilstoppet.	<ul style="list-style-type: none"> <li>Klippeaggregatet ble ikke ordentlig rengjort etter tidligere bruk.</li> </ul>	<ul style="list-style-type: none"> <li>Rengjør klippeaggregatet etter hver bruk, følg avsnittet "<b>BRUKE VASKEPORT FOR Å RENGJØRE KLIPPERDEKKET</b>".</li> </ul>
Gressklipperen mister lett trekraft når den klatrer opp i skråningen.	<ul style="list-style-type: none"> <li>Dekkene på bakhjulene er slitte.</li> </ul>	<ul style="list-style-type: none"> <li>Søk lokal service for å skifte hjuldekkene.</li> </ul>
	<ul style="list-style-type: none"> <li>Klipper i en bratt skråning.</li> </ul>	<ul style="list-style-type: none"> <li>Klipperen skal ikke brukes til å klippe bakker som er brattere enn ved nødvendig grad.</li> </ul>
Når klipperen stoppes i en skråning med parkeringsbremsepedalen trykket inn, kan klipperen rulle nedover skråningen.	<ul style="list-style-type: none"> <li>Bremsekomponentene er svært slitte på grunn av feil bruk av klipperen.</li> </ul>	<ul style="list-style-type: none"> <li>Ring EGO kundeservicesenter for reparasjon.</li> </ul>

**NO**

PROBLEM	ÅRSAK	LØSNING
Det kommer ikke vann fra vaskeporten når du prøver å vaske dekket.	<ul style="list-style-type: none"> <li>Hurtigkoblingen for vaskeporten er ikke riktig montert på vaskeporten.</li> </ul>	<ul style="list-style-type: none"> <li>Fest hurtigkoblingen til vaskeporten igjen til du hører et tydelig klikk etter å ha trykket hardt. Hvis det ikke fungerer, ring EGOs kundeservicesenter.</li> </ul>
En unormal lyd høres når du trykker på klipperen manuelt uten å starte den.	<ul style="list-style-type: none"> <li>Lyden kommer fra magnetene inne i drivmotoren.</li> </ul>	<ul style="list-style-type: none"> <li>Det er normalt og ingen handling er nødvendig.</li> </ul>
Rattet kan ikke roteres.	<ul style="list-style-type: none"> <li>Rattenheten er tilstoppet med rusk.</li> </ul>	<ul style="list-style-type: none"> <li>Sjekk og fjern rusk.</li> </ul>
Klipperen svinger ikke til venstre/høyre når rattet dreies.	<ul style="list-style-type: none"> <li>Feil på elektroniske eller mekaniske komponenter.</li> </ul>	<ul style="list-style-type: none"> <li>Ring EGO kundeservicesenter for reparasjon.</li> </ul>
Klipperen stopper ikke når gasspedalen slippes.	<ul style="list-style-type: none"> <li>Returveien til gasspedalen er tilstoppet med rusk.</li> </ul>	<ul style="list-style-type: none"> <li>Sjekk og fjern rusk.</li> </ul>
	<ul style="list-style-type: none"> <li>CCS-knappen trykkes utilsiktet under kjøring. Klipperen er i fartsholdermodus</li> </ul>	<ul style="list-style-type: none"> <li>Sjekk om CCS-ikonet lyser på LCD-skjermen, og gå ut av CCS etter behov. Se kapittelet "<b>BRUKE CRUISE CONTROL (CCS)</b>"</li> </ul>
CCS-funksjonen kan ikke aktiveres eller deaktiveres.	<ul style="list-style-type: none"> <li>CCS-knappen er ikke trykket på riktig måte.</li> </ul>	<ul style="list-style-type: none"> <li>Trykk på CCS-knappen til CCS-ikonet lyser på LCD-skjermen, eller forsvinner fra LCD-skjermen.</li> </ul>
Klipperen klarer ikke å kjøre revers når venstre/høyre padle(r) trekkes mot operatøren.	<ul style="list-style-type: none"> <li>Klipperstatusindikatoren viser ikke grønt og klipperen er ikke klar for kjøring.</li> </ul>	<ul style="list-style-type: none"> <li>Følg avsnittet "STARTE KLIPPEREN" for å få klipperens statusindikator til å vise grønt og klipperen er klar til kjøring.</li> </ul>
	<ul style="list-style-type: none"> <li>Venstre/høyre padle(r) trekkes ikke riktig mot operatøren.</li> </ul>	<ul style="list-style-type: none"> <li>Trekk venstre padle eller høyre padle eller begge padleårene samtidig mot operatøren til en "klikk" lyd høres.</li> </ul>
	<ul style="list-style-type: none"> <li>Venstre/høyre padle(e) holdes ikke trukket mot operatøren.</li> </ul>	<ul style="list-style-type: none"> <li>For å kjøre i revers, må minst en av padlene holdes trukket mot operatøren.</li> </ul>
	<ul style="list-style-type: none"> <li>Venstre/høyre padle(r) er ødelagt.</li> </ul>	<ul style="list-style-type: none"> <li>Kontakt en kvalifisert servicetekniker for reparasjon.</li> </ul>

NO



## KLIPPESTATUSREFERANSE OG FEILKODE

LCD-skjerm	Beskrivelse	Feilkode på LCD	Klipperstatusindikator	Piper	Årsaken	Løsning
	LED-lys Ikonet vises på LCD-skjermen.	n/a	AV	Nei	Frontlyktene, sidelysene og baklysene slås på med LED-lysbryteren.	Dette er normal drift. Ingen handling er nødvendig.
	USB-ikonet vises på LCD-skjermen.	n/a	AV	Nei	USB -ikon lyser at en USB -enhet kan fungere etter at klipperen er startet riktig.	Dette er normal drift. Ingen handling er nødvendig.
	Drivstoffmålerikonet vises på LCD-skjermen.	n/a	AV	Nei	Den angir gjennomsnittlig ladekapasitet for innsatte batterier	Dette er normal drift. Ingen handling er nødvendig.
	Timeteller-ikonet vises på LCD-skjermen.	n/a	AV	Nei	Den viser den totale kjøretiden til klipperen, i timer og kan ikke tilbakestilles.	Dette er normal drift. Ingen handling er nødvendig.
	Lastindikatorikonet vises i ECO-området.	n/a	AV	Nei	Den angir den nåværende lasten til klipperen.	Dette er normal drift. Ingen handling er nødvendig.
	Reverseringsikonet vises på LCD-skjermen.	n/a	AV	Nei	Det indikerer at klipperen kjører bakover.	Dette er normal drift. Ingen handling er nødvendig.
	Sikkerhetsnøkkelikonet blinker.	n/a	AV	Nei	Sikkerhetsnøkkelen er ikke satt inn.	Sett inn sikkerhetsnøkkelen og trykk og hold START/STOPP-knappen for å slå på klipperen.
					Tastekontrollpanelet er ødelagt.	Få reparasjoner utført av en kvalifisert servicetekniker.

**NO**

LCD-skjerm	Beskrivelse	Feilkode på LCD	Klipperstatusindikator	Piper	Årsaken	Løsning
	Ikonet for et bestemt batterirom blinker.	n/a	AV	Nei	Et visst batteri under utlading er overstrøm.	Ingen handling er nødvendig. Klipperen kan fortsette å fungere hvis den kombinerte batteri Ah-klassifiseringen, ekskludert overstrømsbatteri, oppfyller kravet. Så snart overstrømsbatteriet går tilbake til det normale, vil det bli med på å drive klipperen umiddelbart og ikonet forsvinner.
	Ikonet for det tomme batterirommet blinker	n/a	AV	Nei	Batterikapasiteten er ikke tilstrekkelig til å la klipperen fungere.	For å starte denne klipperen må du bruke tilstrekkelig EGO-batterier i henhold til instruksjonene i avsnittet « <b>FESTE/LØSNE BATTERIPAKKEN</b> » i denne håndboken.
	Overbelastningsindikatoren blinker	n/a	Blinker rødt	Ett pip	<p>Bladmotoren er overbelastet.</p> <p>Sideutløpsrennen er tilstoppet med gress og rusk.</p> <p>Det er interferens mellom kniven og klippeaggregatet.</p>	<p>Løft klippehøyden eller senk kjørehastigheten for å redusere klipperen.</p> <p>Rengjør sideutløpsrennen etter hver bruk.</p> <p>Ring EGO kundeservicesenter</p>





LCD-skjerm	Beskrivelse	Feilkode på LCD	Klipperstatusindikator	Piper	Årsaken	Løsning
	Temperaturikonet blinker.	n/a	AV	Ett pip	Klipperen er overopphetet.	Reduser belastningen på klipperen ved å heve klippehøyden på dekket eller redusere bladet/kjørehastigheten. Ta en pause og la klipperen avkjøles.
					Klipperen er for kald.	Vennligst ikke gjør gjentatte forsøk som kan skade maskinen. Oppbevar alltid klipperen og batteriene i varme omgivelser. Start klipperen på nytt når den er varm.
	Temperaturikonet og det nøyaktige oppsatte batterirommet blinker samtidig.	n/a	AV	Nei	Batteripakken i den tilsvarende. Nummerert batterirom er overopphetet.	1. Klipperen kan fortsette å fungere hvis den kombinerte batteri Ah-klassifiseringen, ekskludert overopphetet batteri, oppfyller kravet. Når det overopphetede batteriet går tilbake til normal temperatur, vil det slå på slåmaskinen umiddelbart.
						2. Hvis den kombinerte batteri Ah-klassifiseringen ikke er tilstrekkelig, vil ikke klipperen fungere før flere batteripakker er satt inn i de ledige batterirommene.
						3. Reduser klipperens belastning ved å heve klippehøyden på dekket eller bremse klippingen når du fortsetter driften.

**NO**

LCD-skjerm	Beskrivelse	Feilkode på LCD	Klipperstatusindikator	Piper	Årsaken	Løsning
	<p>Ikonene for hvert opptatt batterirom, lavstrømsindikator og drivstoffmåler blinker hvert 1. sekund samtidig på LCD-skjermen. Den første LED-drivstoffmåleren og klipperens statusindikator blinker også.</p>	n/a	Blinker rødt	Piper til kraftuttaksbryteren skyves nedover.	Batteripakkene er lave og klipperen er i Limp Home-modus.	<p>Slutt å jobbe og gå tilbake til batteriladningsområdet.  <b>MERK:</b> Når klipperen er i Limp-Home-modus, byttes knivene automatisk til lav rotasjonshastighet 8, og i mellomtiden vil lydindikatoren fortsette å pipe. Operatøren bør skyve kraftuttaket nedover for å slå av bladmotorene. Lydindikatoren vil slutte å pipe etter at knivene stopper.</p>
	<p>Ikonet for hvert opptatt batterirom og lavstrømsindikator blinker hvert halve sekund, den første LED-drivstoffmåleren vil blinke rødt hvert halve sekund også.</p>	n/a	Blinker rødt	Fortsetter å pipe	Batteriparkene er nesten tomme.	<p>Klipperen slutter å fungere umiddelbart. Operatøren bør transportere klipperen til batteriets ladeområde for lading.</p>
	<p>Ikonet for automatisk parkering blinker på LCD-skjermen.</p>	n/a	AV	Fortsetter å pipe	Klipperen parkeres i en skråning og operatøren forlater klipperen uten å sette på parkeringsbremsen i bremseposisjon.	<p>Sett bremsepedalen i bremseposisjon. Ikonet for automatisk parkering vil slå seg av og lydindikatoren slutter å pipe.</p>
	<p>Bremsepedalikonet vises på LCD-skjermen</p>	n/a	AV	Nei	Parkeringsbremsepedalen er satt i bremseposisjon.	<p>Slipp den før du starter klipperen.</p>

NO

**MERK:** Hvis en feilkode vises på LCD-skjermen, fjern alle batteripakker og sett dem inn igjen noen minutter senere. Hvis dette ikke løser problemet, følg feilkoden for feilsøking nedenfor.

LCD-skjerm	Beskrivelse	Feilkode på LCD	Klipperstatusindikator	Piper	Årsaken	Løsning
	Setesensorikonet vises på LCD-skjermen	n/a	AV	Nei	Føreren forlater setet eller setets sikkerhetssperresystem er frakoblet.	Hvis operatøren sitter på setet og ikonet er på, stopp bruken av klipperen umiddelbart og kontroller setetilkoblingen. Hvis seteforbindelsen med klipperen bekreftes riktig, kontakt en kvalifisert servicetekniker for reparasjoner.
	Krafttuttaksbryterikonet blinker	n/a	AV	Nei	Bladmotoren ble avbrutt i drift og krafttuttaksbryteren er ikke satt til av-posisjon.	Før du starter klipperen igjen, skyv krafttuttaket ned for å slå av knivmotorene. Se delen " <b>FEILSØKING</b> " i denne håndboken for referanse.
	Energiregenereringsikonet blinker av og til.	n/a	AV	Nei	Den kinetiske energien som genereres under bremsing eller kjøring i nedoverbakke, omdannes til elektrisitet for å lade batteripakkene.	Dette er normal drift. Ingen handling er nødvendig.
	CCS-ikonet blinker	n/a	AV	Nei	CCS-funksjonen (cruise control system) har sviktet.	CCS-funksjonen kunne ikke stilles inn når klipperen kjører i svært lav hastighet eller kjører i revers.

**NO**

LCD-skjerm	Beskrivelse	Feilkode på LCD	Klipperstatusindikator	Piper	Årsaken	Løsning	
Se "Feilkode"	Venstre drivmotor faller i rotasjon.	PCBA -kontrollert venstre drivmotor svikter.	413	AV	Ett pip	PCBA -feil	Få reparasjoner utført av en kvalifisert servicetekniker.
		Plugg (trefase, strømledning) som forbinder venstre drivmotor med tilhørende PCBA er løst.	317	AV	Ett pip	Løs forbindelse	
		Plugg (seks pinner, signalkabel) som forbinder den venstre drivmotoren med den tilhørende PCBA er løst.	301	AV	Ett pip	Løs forbindelse	
		Venstre drivmotor svikter.	317	AV	Ett pip	Motorsvikt	
Se "Feilkode"	Høyre drivmotor svikter i rotasjon.	PCBA -kontrollert høyre drivmotor mislykkes.	313	AV	Ett pip	PCBA -feil	Få reparasjoner utført av en kvalifisert servicetekniker.
		Plugg (trefase, strømledning) som kobler den riktige drivmotoren med den tilhørende PCBA er løst.	417	AV	Ett pip	Løs forbindelse	
		Plugg (seks pinner, signalkabel) som kobler den høyre drivmotoren med den tilhørende PCBA er løst.	401	AV	Ett pip	Løs forbindelse	
		Høyrekjørende motor mislykkes.	417	AV	Ett pip	Motorsvikt	

LCD-skjerm	Beskrivelse	Feilkode på LCD	Klipperstatusindikator	Piper	Årsaken	Løsning	
Se "Feilkode"	Venstre bladmotor svikter i rotasjon	PCBA-kontrollert venstrebladmotor svikter	607	n/a	Ett pip	PCBA -feil	Få reparasjoner utført av en kvalifisert servicetekniker.
		Pluggen (trippelfase, strømledning) som forbinder venstre bladmotor med tilsvarende PCBA løsnes.	509	n/a	Ett pip	Løs forbindelse	Inspiser bladet først. Hvis den er løsnet, stram bolten med anbefalt tiltrekkingsmoment. Ellers må reparasjonen utføres av en kvalifisert servicetekniker.
		Venstre bladmotor svikter	509	n/a	Ett pip	Motorsvikt	
Se "Feilkode"	Høyre bladmotor svikter i rotasjon	PCBA-kontrollert høyrebladmotor svikter	507	n/a	Ett pip	PCBA -feil	Få reparasjoner utført av en kvalifisert servicetekniker.
		Støpsel (trippelfase, strømledning) som forbinder høyre bladmotor med tilsvarende PCBA løsnes.	609	n/a	Ett pip	Løs forbindelse	Inspiser bladet først. Hvis den er løsnet, stram bolten med anbefalt tiltrekkingsmoment. Ellers må reparasjonen utføres av en kvalifisert servicetekniker.
		Høyre bladmotor svikter	609	n/a	Ett pip	Motorsvikt	
Se "Feilkode"	Gasspedalen svikter	311/ 411 307/ 407	AV	Ett pip	PCBA -feil Løs forbindelse	Få reparasjoner utført av en kvalifisert servicetekniker.	
Se "Feilkode"	Rattet svikter	312/ 412	AV	Ett pip	PCBA -feil Løs forbindelse	Få reparasjoner utført av en kvalifisert servicetekniker.	
Se "Feilkode"	Parkeringsbremsen svikter, klipperen kan ikke kjøres.	Parkeringsbrems PCBA, som er i frontrammeenheten, er ødelagt.	309/ 409	AV	Ett pip	PCBA -feil	Få reparasjoner utført av en kvalifisert servicetekniker.
		Parkeringsbremsebryter og/eller ledning er ødelagt.	801	AV	Ett pip	Tråd/bryterfeil	

**NO**

LCD-skjerm	Beskrivelse	Feilkode på LCD	Klipperstatusindikator	Piper	Årsaken	Løsning
AV	Lade prot -feil	n/a	Solid RØD	n/a	Ladeporten er i åpen krets.	Få reparasjoner utført av en kvalifisert servicetekniker.
		n/a	Solid RØD	n/a	Det er ingen strømforsyning.	Sjekk vegguttaket om det følger med 220 – 240 V eller om stikkkontakten er god.
		n/a	Solid RØD	n/a	Sikringen er sprengt.	Få reparasjoner utført av en kvalifisert servicetekniker.
<b>NO</b> Se "Feilkode"	Ladeportfeil	204	n/a	Ett pip	Ladeporten er i åpen krets.	Få reparasjoner utført av en kvalifisert servicetekniker.
Se "Feilkode"	Batteriboksenheten fungerer ikke.	217	n/a	Ett pip	Strømkilden fra batteriboksenheten er ødelagt. LED -frontlyktene og USB fungerer ikke.	Få reparasjoner utført av en kvalifisert servicetekniker.
		310/ 410	AV	Ett pip	Tilkoblingen mellom Type C -ledninger i batteriboksenheten og andre Type C -ledninger på klipperen er ute av arbeid.	
		201/ 202/ 203	AV	Ett pip	BMS for batteriboksenheten er ødelagt.	
Se "Feilkode"	Start/stopp bryterfeil	314/ 414	AV	Ett pip	Bryter PCBA-feil eller dårlig ledningsforbindelse for Start/stopp-bryter.	Få reparasjoner utført av en kvalifisert servicetekniker.



LCD-skjerm	Beskrivelse	Feilkode på LCD	Klipperstatusindikator	Piper	Årsaken	Løsning
Se "Feilkode"	LCD -skjermfeil	315/ 415	AV	Ett pip	LCD -enheten er ødelagt eller dårlig ledningstilkobling til LCD -enheten.	Få reparasjoner utført av en kvalifisert servicetekniker.

## GARANTI

### EGO GARANTIPOLITIKK

Besøk nettsiden [egopowerplus.com](http://egopowerplus.com) for å se fullstendige vilkår og betingelser for EGO-garantireglene.

NO

# ПРОЧИТАЙТЕ ВСЕ ИНСТРУКЦИИ!



ПРОЧИТАЙТЕ РУКОВОДСТВО ПОЛЬЗОВАТЕЛЯ

## СИМВОЛЫ БЕЗОПАСНОСТИ

Символы безопасности предназначены для привлечения внимания к возможным рискам. Символы безопасности, а также пояснения к ним, требуют особого внимания и понимания. Предупреждения по технике безопасности сами по себе не устраняют опасность. Инструкции и предупреждения не заменяют соответствующие меры по предотвращению несчастных случаев.

**⚠ ПРЕДУПРЕЖДЕНИЕ.** Перед использованием устройства внимательно прочитайте все инструкции в данном руководстве пользователя и ознакомьтесь с предупреждающими символами безопасности, такими как **ОПАСНОСТЬ**, **ПРЕДУПРЕЖДЕНИЕ** и **ВНИМАНИЕ**. Несоблюдение всех приведенных ниже инструкций может привести к поражению электрическим током, возникновению пожара и (или) получению серьезных травм.

RU

## УСЛОВНЫЕ ОБОЗНАЧЕНИЯ

Далее приведено изображение и описание символов безопасности, которые могут присутствовать на данном устройстве. Перед сборкой или использованием внимательно прочитайте все инструкции, приведенные на устройстве, и соблюдайте их.

## СИМВОЛЫ БЕЗОПАСНОСТИ



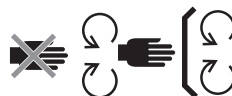
Предупреждение об опасности



Внимательно прочитайте руководство пользователя.



Защита глаз



Выполняйте обслуживание защитных устройств.



ОПАСНО! Риск при нахождении на крутом склоне.



ОПАСНО! Держите посторонних подальше от режущих элементов.



Никогда не перевозите детей на устройстве.



Смотрите назад при движении задним ходом.



ПРЕДУПРЕЖДЕНИЕ. Не используйте устройство на склонах с уклоном более 12°.



ОПАСНО! Отбрасываемые предметы.



ПРЕДУПРЕЖДЕНИЕ. ДЕРЖИТЕ  
НОГИ И РУКИ НА РАССТОЯНИИ.



Гарантированный уровень  
звуковой мощности.  
Соответствует Европейской  
директиве.



Не становитесь на устройство.



Неисправные электрические  
устройства нельзя выбрасывать  
вместе с бытовым мусором.  
Сдавайте их в авторизованные  
пункты сбора и утилизации.



Соответствует основным  
требованиям стандартов  
безопасности Европейских  
директив.



ВНИМАНИЕ. Не смотрите  
непосредственно на включенную  
лампу.



Постоянный ток



Данное изделие соответствует  
действующему законодательству  
Великобритании.

RU

кПа

Килопаскаль

об/мин

Оборотов в минуту

V

Вольт

м

Метры

"

Дюйм

см

Сантиметры

Нм

Ньютон-метр

мм

Миллиметры

°C

Градус Цельсия

кг

Килограммы

км/ч

Километров в час

IPX4

Класс защиты

## СИМВОЛЫ БЕЗОПАСНОСТИ



Важная информация.



Указанное действие  
прекращается.

## ТЕХНИЧЕСКИЕ ХАРАКТЕРИСТИКИ

Напряжение		56 В
Размер платформы		107 см
Размер колеса	Спереди	279,4 x 101,6 – 127 мм
	Сзади	457,2 x 241,3 – 203.2 мм
Давление в холодных шинах	Спереди	222,1 кПа
	Сзади	110,3 кПа

Радиус поворота		0
Скорость вращения режущего элемента (об/мин)		2400; 2600; 2800; 3000
Максимальная скорость дви- жения	Вперед	4,8 км/ч, 8,1 км/ч, 9,7 км/ч, 11,3 км/ч (12,8 км/ч в походном режиме)
	Назад	До 5,6 км/ч

Зарядка	Зарядное устройство (дополнительно)	CHV1600E
	Адаптер (дополнительно)	ACA1000
	Диапазон температуры зарядки	От 5 до 40°C
Регулировка высоты скашивания (10 положений)		25–100 мм
Рабочая температура		От 0 до 40°C
Температура хранения		От –20 до 70°C
Масса (без аккумулятора)		196 кг
RU	Измеренный уровень звуковой мощности $L_{WA}$	96,44 дБ (А) K=0,68 дБ (А)
	Уровень звукового давления на уши оператора $L_{PA}$	84,3 дБ (А) K=3,0 дБ (А)
	Гарантированный уровень звуковой мощности $L_{WA}$ (измерен в соответствии с 2000/14/EC)	100 дБ (А)
	Вибрация $a_n$	Рука
Туловище		0,568 м/с <sup>2</sup> K=1,5 м/с <sup>2</sup>

- Указанное общее значение вибрации было определено с помощью стандартного теста и может быть использовано для сравнения разных инструментов.
- Указанное общее значение вибрации также может использоваться для предварительной оценки уровня воздействия.

**ПРИМЕЧАНИЕ.** Реальное вибрационное воздействие электроинструмента может отличаться от указанного в зависимости от способа использования. В целях безопасности оператор должен надевать перчатки и средства защиты органов слуха во время использования устройства.

## РЕКОМЕНДУЕМЫЕ ПРИНАДЛЕЖНОСТИ

**⚠ ПРЕДУПРЕЖДЕНИЕ.** Используйте только идентичные запасные части, приведенные в списке ниже. Использование деталей с другими характеристиками может привести к снижению эффективности работы и безопасности устройства.

НАЗВАНИЕ ДЕТАЛИ	НОМЕР МОДЕЛИ
Стандартный режущий элемент	AB4200
Высокоподъемный режущий элемент	AB4201
Заглушка для приготовления мульчи	AMP4200
Комплект травосборника	ABK4200-A
Задний бампер	AMB1000
Грузовой ящик	AMG1000
Солнцезащитный козырек	AMS1000

## ОПИСАНИЕ

### ЧАСТИ КОСИЛКИ (Рис. А1)

1. Сиденье
2. Порт для зарядки
3. Приводной блок
4. Задний светодиодный фонарь
5. Отсек для хранения
6. Боковой светодиодный фонарь
7. Заднее колесо (ведущее)
8. Промывочный порт
9. Платформа
10. Защита платформы
11. Противооткатное колесо
12. Переднее колесо
13. Педаль стояночного тормоза

14. Дневные ходовые огни
15. Светодиодные фары
16. Педаль акселератора
17. Опора для ноги
18. Боковой разгрузочный желоб
19. Рычаг регулировки высоты платформы
20. Ручка регулировки подвески сиденья
21. Рулевое колесо
22. Правый боковой ящик
23. Рычаг регулировки положения сиденья
24. Переключатель отбора мощности
25. Кнопка запуска/остановки
26. Ключ безопасности
27. Отсек для хранения телефона
28. Подстаканники
29. Левый лепесток
30. Индикатор состояния косилки
31. ЖК-дисплей
32. Правый лепесток
33. Кнопка регулировки скорости режущего элемента
34. Кнопка CCS
35. Кнопка режима движения
36. Переключатель светодиодного освещения
37. Кнопка регулировка скорости движения
38. Кнопка фиксации крышки приводного блока
39. Крышка приводного блока
40. Приводной блок с шестью аккумуляторными отсеками
41. Кнопка фиксации аккумулятора
42. Сцепное устройство
43. Крышка крепления навесного оборудования
44. USB-порт

### **ЖК-ДИСПЛЕЙ (Рис. А2)**

Более подробную информацию о символах и индикаторах на ЖК-дисплее см. в разделе **СВЕДЕНИЯ О СОСТОЯНИИ КОСИЛКИ И КОДАХ НЕИСПРАВНОСТЕЙ.**

1. Символ заднего хода
2. Символ CCS
3. Символ ключа безопасности
4. Символ светодиодного освещения
5. Символ автоматической парковки
6. Символ USB
7. Индикатор скорости работы режущего элемента
8. Индикатор состояния защитного устройства
9. Счетчик моточасов
10. Символ свободного аккумуляторного отсека
11. Символ температуры
12. Символ занятого аккумуляторного отсека
13. Режим движения
14. Индикатор кода неисправности
15. Индикатор перегрузки
16. Индикатор низкого уровня питания
17. Указатель уровня заряда
18. Индикатор нагрузки
19. Индикатор скорости хода

**RU**

## **РАСПАКОВКА**

**ПРИМЕЧАНИЕ.** Сохраните упаковочные материалы до тех пор, пока не проверите изделие и не убедитесь в его исправной работе. Если какие-либо части из списка комплекта поставки установлены на устройство, немедленно обратитесь в сервисный центр EGO.

**ПРИМЕЧАНИЕ..** За исключением инструментов, указанных в приведенном ниже списке комплекта поставки, все остальные инструменты, упомянутые в руководствах, только рекомендуются к использованию, но не прилагаются.

**ПРИМЕЧАНИЕ.** Не снимайте блок из пеноматериала под рулевым колесом, пока оно не будет правильно установлено. Вибрация во время движения может привести к повреждению рулевого колеса.

#### КОМПЛЕКТ ПОСТАВКИ (РИС. В)

В-1	Самоходная косилка с нулевым радиусом поворота	В-2	Сиденье
В-3	Заглушка для приготовления мульчи	В-4	Винты с углублением под ключ (2 запасных)
В-5	Шестигранный ключ	В-6	Торцевой ключ
В-7	Рожковый гаечный ключ	В-8	Ключи безопасности
В-9	Быстроразъемное соединение для промывочного порта	В-10	Руководство по эксплуатации

RU

## СБОРКА

### УСТАНОВКА СИДЕНЬЯ

(Рис. С1–С4)

**▲ ПРЕДУПРЕЖДЕНИЕ.** Запрещается отключать или обходить систему защитной блокировки. Это может привести к неожиданному поведению косилки при работе и стать причиной травмы.

**ПРИМЕЧАНИЕ.** В целях безопасности косилка может остановиться, если выключатель сиденья отсоединился во время движения. В этом случае для получения дополнительной информации ознакомьтесь с разделом **УСТРАНЕНИЕ НЕПОЛАДОК**.

С1-1	Разъем	С1-2	Вилка
С1-3	Кабель	С2-1	Кронштейн сиденья
С2-2	Основание подвески	С2-3	Шестигранный ключ
С2-4	Винты с углублением под ключ	С2-5	Рычаг регулировки положения сиденья
С3-1	Стальные направляющие	С3-2	Шестигранный ключ
С3-3	Винты с углублением под ключ	С4-1	Крюк

### УСТАНОВКА РУЛЕВОГО КОЛЕСА

(Рис. С5–С6)

С5-1	Стопорный болт	С5-2	Шина
С6-1	Фиксирующий блок	С6-2	Прорезь
С6-3	Защита рулевого колеса		

### УСТАНОВКА ЗАГЛУШКИ ДЛЯ

ПРИГОТОВЛЕНИЯ МУЛЬЧИ (Рис. С7)

С7-1	Боковой разгрузочный желоб	С7-2	Заглушка для приготовления мульчи
С7-3	Подвижная пружина		

## РЕГУЛИРОВКА

ПЕРЕД РЕГУЛИРОВКОЙ (Рис. D1)

РЕГУЛИРОВКА ВЫСОТЫ СКАШИВАЮЩЕЙ ПЛАТФОРМЫ (Рис. D2)

РЕГУЛИРОВКА ПРОТИВООТКАТНЫХ КОЛЕС (Рис. D3–D6)

D3-1	Противооткатное колесо	D5-1	Гайка
D5-2	Колесный болт	D6-1	Маркировка высоты платформы

### РЕГУЛИРОВКА СИДЕНЬЯ (Рис. D7)

D7-1	Рычаг регулировки положения сиденья	D7-2	Ручка регулировки подвески сиденья
------	-------------------------------------	------	------------------------------------

### РЕГУЛИРОВКА РУЛЕВОГО КОЛЕСА (Рис. D8)

D8-1	Стопорный болт	D8-2	Шина
D8-3	Фиксирующий блок	D8-4	Прорезь

## ЭКСПЛУАТАЦИЯ

### ПЕРЕД ЭКСПЛУАТАЦИЕЙ (Рис. E1)

### НАСТРОЙКА СТОЯНОЧНОГО ТОРМОЗА (Рис. E2)

E2-1	Положение разблокировки	E2-2	Положение торможения
------	-------------------------	------	----------------------

**ПРИМЕЧАНИЕ.**.. Никогда не нажимайте педаль стояночного тормоза, чтобы снизить скорость. Как только педаль стояночного тормоза будет нажата достаточно, но не до упора, косилка остановится. Это справедливо для ровной поверхности, но если это произойдет на уклоне, косилка может соскользнуть вниз по склону.

### УСТАНОВКА И ИЗВЛЕЧЕНИЕ АККУМУЛЯТОРА (Рис. E3–E6)

Для эксплуатации косилки необходимы аккумуляторы EGO общей емкостью 15 Ач (2 x BA4200/BA4200T) или более. Для максимальной эффективности рекомендуется использовать аккумуляторы EGO емкостью не менее 30 Ач.

E3-1	Кнопка фиксации крышки	E5-1	Кнопка извлечения аккумулятора
------	------------------------	------	--------------------------------

### ЗАРЯДКА КОСИЛКИ

Используйте только с рекомендованными аккумуляторами и зарядными устройствами

- Заряжайте аккумуляторы отдельно (Рис. E7)

**ПРИМЕЧАНИЕ.** Подробные инструкции см. в соответствующих руководствах по эксплуатации аккумулятора и зарядного устройства.

- Заряжайте аккумуляторы через зарядный порт (Рис. E8–E10)

E10-1	Пылезащитная колпачок	E10-2	Порт для зарядки
-------	-----------------------	-------	------------------

### ПРОВЕРКА СИСТЕМЫ ЗАЩИТНОЙ БЛОКИРОВКИ

- а. Проверка системы режущих элементов платформы (Рис. E11–E12).
- б. Проверка системы управления (Рис. E13–E14)

Если система режущих элементов платформы и (или) система управления не останавливаются, когда оператор встает с сиденья, и если причину невозможно определить после проверки надежности подключения штекера к разъему сиденья, немедленно обратитесь в сервисный центр EGO.

### ПРОВЕРКА ПЕРЕД ЭКСПЛУАТАЦИЕЙ

- Убедитесь, что в рабочей зоне нет детей, посторонних лиц и домашних животных.
- Очистите рабочую зону от предметов, которые могут быть отброшены режущими элементами косилки.
- Очистите косилку от мусора.
- Проверьте устройство на наличие ослабленных креплений.
- Убедитесь, что все щитки на месте и работают должным образом.
- Визуально проверьте, не спущены ли колеса.
- Проверьте работу тормозов.
- Установите платформу на необходимую для стрижки высоту и соответствующим образом отрегулируйте противооткатные колеса.

RU



- Отрегулируйте положение сиденья и убедитесь, что обе педали доступны.
- При необходимости отрегулируйте рулевое колесо.
- Проверьте уровень заряда аккумулятора.
- Проверьте систему защитной блокировки.

## ЗАПУСК КОСИЛКИ (Рис. E15–E16)

**▲ ПРЕДУПРЕЖДЕНИЕ.** Избегайте резких запусков, остановок и поворотов, а также чрезмерной скорости, особенно при обучении работе с косилкой. Косилка может быстро вращаться, что может привести к потере контроля и серьезным травмам и (или) повреждениям.

**▲ ПРЕДУПРЕЖДЕНИЕ.** Перед запуском косилки убедитесь, что режущие элементы отключаются в течение 5 секунд при перемещении переключателя отбора мощности вниз. Если режущие элементы не останавливаются, не используйте косилку и немедленно обратитесь в сервисный центр EGO.

**ПРИМЕЧАНИЕ.** Следуйте инструкциям на Рис. E17 и E18, чтобы настроить наименьшую скорость движения и СТАНДАРТНЫЙ режим движения на время обучения управлению косилкой в любых ситуациях.

Косилка сохраняет режим движения, скорость и положение рулевого колеса и восстанавливает эти параметры при перезапуске.

## РЕГУЛИРОВКА РЕЖИМА ДВИЖЕНИЯ (Рис. E17)

- **КОНТРОЛЬ.** Более низкое ускорение, менее чувствительное управление и небольшая скорость поворота для защиты травы. Подходит для неопытных пользователей.
- **СТАНДАРТ.** Идеально подходит для повседневного использования.
- **СПОРТ.** Более высокое ускорение, точное управление и повышенная маневренность для максимальной эффективности скашивания. Подходит для опытных пользователей.

**ПРИМЕЧАНИЕ.** Режим движения нельзя регулировать во время перемещения. Регулировка доступна только тогда, когда колеса косилки остановлены.

## Регулировка скорости хода (Рис. E18)

**ПРИМЕЧАНИЕ.** Если в режиме «ТУРБО» нажать «–», скорость движения вернется к предыдущему режиму.

## Регулировка скорости режущего элемента (Рис. E19)

### Светодиодное освещение

- Управление фарами, боковыми и задними светодиодами осуществляется с помощью переключателя светодиодного освещения.
- Ходовые огни всегда светятся во время движения.
- Если при движении задним ходом задние светодиодные фонари выключены, они начнут мигать, чтобы предупредить окружающих. Если задние светодиоды включены, они останутся включенными.
- Вся световые приборы выключаются, когда косилка автоматически отключается после определенного периода бездействия.

### USB-порт

**ПРИМЕЧАНИЕ.** Порт USB обеспечивает зарядную мощность 5 В постоянного тока при суммарном потреблении до 1,5 А. Питание на него подается только при запуске косилки.

## ОСТАНОВКА КОСИЛКИ (Рис. E20)

**ПРИМЕЧАНИЕ.** После 60 минут бездействия косилка автоматически отключается.

### Аварийный режим

Когда заряд аккумулятора становится критически низким, косилка переходит в аварийный режим. Это необходимо для сохранения достаточного количества энергии, чтобы вернуться в зону зарядки.

- Режущие элементы переключаются на низкую скорость вращения, что позволяет срезать лишь очень небольшое количество травы. При встрече с высокой и густой травой лезвия перестают вращаться. Косилка будет издавать прерывистый звуковой сигнал.
- Индикатор состояния косилки будет мигать красным каждую секунду, также будут мигать индикатор низкого уровня питания и символ аккумулятора на указателе уровня заряда.



В этом случае выполните следующее.

- Нажмите переключатель отбора мощности вниз, чтобы отключить режущие элементы. Звуковой сигнал перестанет звучать, когда режущие элементы остановятся.
- Прекратите работу и как можно скорее отправляйтесь к месту зарядки аккумулятора. Максимальное расстояние, которое может преодолеть косилка, составляет 1000 м.

Когда аккумулятор почти разряжен, символ каждого занятого аккумуляторного отсека и индикатор низкого уровня питания будут мигать каждые полсекунды. Косилка немедленно прекратит работу. Оператор должен будет доставить косилку к месту зарядки.

**ПРИМЕЧАНИЕ.** Если необходимо толкать устройство вручную, убедитесь, что аккумуляторы отсоединены от косилки, а педаль стояночного тормоза отпущена из положения торможения.

## УПРАВЛЕНИЕ КОСИЛКОЙ (Рис. E21)

**▲ ОПАСНО!** Держитесь на расстоянии не менее двукратной ширины скашивания от любых канав, обрывов или воды. Когда косилка остановлена, передние колеса могут вращаться даже при включенном тормозе, что может привести к переворачиванию косилки или ее падению в воду, что станет причиной смерти или серьезных травм.

**▲ ПРЕДУПРЕЖДЕНИЕ.** Перед началом движения задним ходом обратите внимание на то, что находится позади косилки. НЕ косите задним ходом без крайней необходимости. Всегда смотрите вниз и назад перед движением задним ходом, а также во время него, чтобы убедиться, что в зоне скашивания нет детей, посторонних лиц или домашних животных. Помните, что потеря бдительности даже на долю секунды может привести к смерти или получению серьезной травмы.

**▲ ПРЕДУПРЕЖДЕНИЕ.** Не используйте данное устройство на дорогах общего пользования.

**▲ ПРЕДУПРЕЖДЕНИЕ.** При засорении или столкновении с посторонним предметом остановите двигатель и извлеките аккумуляторы. Удалите обрезки травы, листья, грязь и любой другой

скопившийся мусор. Перед повторным запуском и эксплуатацией осмотрите косилку на наличие повреждений и при необходимости отремонтируйте.

## ИСПОЛЬЗОВАНИЕ КРУИЗ-КОНТРОЛЯ (CCS)

**Активация режима CCS во время движения (Рис. E22)**

**ПРИМЕЧАНИЕ.** Уровень скорости движения, отображаемый на ЖК-дисплее, может неточно отражать фактическую скорость движения косилки в режиме круиз-контроля. Нажмите одну из кнопок регулировки скорости («←» или «→»), чтобы «обновить» и отрегулировать уровень скорости движения на ЖК-дисплее.

**Чтобы выйти из режима CCS и остановить косилку,** можно выбрать один из четырех способов.

- Слегка нажмите педаль акселератора, а затем отпустите ее.
- Потяните левый или правый лепесток на себя, а затем отпустите.
- Нажмите педаль стояночного тормоза.
- Нажмите кнопку CCS.

**ПРИМЕЧАНИЕ.** Нажмите педаль акселератора до упора, чтобы достичь текущей скорости движения CCS, и удерживайте в этом положении. Режим CCS отключится, и косилка продолжит движение с текущей скоростью.

## ОБСЛУЖИВАНИЕ

**▲ ПРЕДУПРЕЖДЕНИЕ.** Всегда надевайте защитные очки с боковыми щитками. В противном случае выбрасываемые предметы попадут в глаза, что может привести к получению серьезной травмы.

**▲ ПРЕДУПРЕЖДЕНИЕ.** При выполнении любых работ по обслуживанию режущих элементов всегда надевайте прочные перчатки либо обматывайте режущий элемент ветошью или другим материалом. Перед проведением обслуживания или транспортировкой устройства обязательно извлекайте ключ безопасности и аккумуляторы.

RU

Интервалы технического обслуживания	Процедура обслуживания
Перед каждым использованием или ежедневно	<ul style="list-style-type: none"> <li>Проверьте систему защитной блокировки.</li> <li>Визуально проверьте, не спущены ли колеса.</li> <li>Осмотрите режущие элементы.</li> <li>Полностью проверьте устройство на наличие поврежденных, отсутствующих или плохо закрепленных частей, таких как боковой разгрузочный желоб, винты, гайки, болты, крышки и т. д., и убедитесь, что все защитные приспособления находятся на месте и работают надлежащим образом.</li> <li>Проверьте и убедитесь, что педаль акселератора может быть правильно нажата и отпущена.</li> <li>Проверьте амортизатор рулевого колеса. Рулевое колесо должно вращаться с определенным сопротивлением.</li> </ul>
После каждого использования	<ul style="list-style-type: none"> <li>Очистите платформу косилки.</li> </ul>
Каждые 25 часов	<ul style="list-style-type: none"> <li>Проверьте давление в шинах.</li> </ul>
Каждые 100 часов	<ul style="list-style-type: none"> <li>Проверьте задние колеса и убедитесь, что все гайки затянуты с рекомендуемым крутящим моментом.</li> </ul>
Каждые 200 часов	<ul style="list-style-type: none"> <li>Проверьте передние колеса и убедитесь, что они свободно вращаются.</li> </ul>

Перед хранением	<ul style="list-style-type: none"> <li>Извлеките аккумуляторы из косилки.</li> <li>Извлеките ключ безопасности из косилки.</li> <li>Выполните все перечисленные выше процедуры технического обслуживания и тщательно очистите косилку.</li> <li>Осмотрите все устройство на наличие поврежденных, отсутствующих или незакрепленных деталей, замените или затяните соответствующие детали перед хранением.</li> </ul>
Ежегодно	<ul style="list-style-type: none"> <li>Проверьте педаль стояночного тормоза. Отсоедините аккумулятор от косилки и установите педаль стояночного тормоза в положение торможения. Вручную толкните косилку вперед, чтобы проверить, можно ли ее сдвинуть с места. Если устройство сдвинулось, немедленно обратитесь для ремонта к квалифицированному специалисту.</li> </ul>

## ОБЩЕЕ ОБСЛУЖИВАНИЕ

### Очистка корпуса косилки (Рис. F1–F2)

### Использование промывочного порта для очистки платформы косилки (Рис. F3–F4)

F2-1	Промывочный порт	F2-2	Быстроразъемное соединение для промывочного порта
F2-3	Садовый шланг		

**ПРИМЕЧАНИЕ.** Закончив очистку, полностью выключите косилку, а затем снимите садовый шланг и быстроразъемное соединение.

## ОБСЛУЖИВАНИЕ ПЛАТФОРМЫ КОСИЛКИ И РЕЖУЩИХ ЭЛЕМЕНТОВ

### ПОДГОТОВКА (Рис. G1)

#### Снятие платформы косилки (Рис. G2–G3)

G2-1	Кабель двигателя	G2-2	Сцепное устройство подвески
G2-3	Шплинт		

**ПРИМЕЧАНИЕ.** При снятии платформы косилки отсоедините все кабели двигателя и шплинты.

#### Замена режущих элементов (Рис. G4–G6)

G4-1	Стабилизатор	G5-1	Болт
G5-2	Шайба	G5-3	Режущий элемент
G5-4	Фланец	G5-5	Вал двигателя

#### Выравнивание платформы косилки

- a. Когда необходимо выравнивание (Рис. G7–G9)
- b. Перед выравниванием
  - Проверьте давление в холодных шинах (Рис. G10).
  - Проверьте режущие элементы. При необходимости снимите и замените изношенные, треснувшие и (или) погнутые режущие элементы.
- c. Подготовка к выравниванию (Рис. G11)
- d. Порядок выравнивания
  - Выполнение боковой регулировки (Рис. G12)
  - Выполнение передне-задней регулировки (Рис. G13)

## КАЛИБРОВКА СИСТЕМЫ МОНИТОРИНГА КОСИЛКИ (Рис. H1–H2)

**ПРИМЕЧАНИЕ.** Звуковой сигнал прозвучит один раз при начале калибровки и при ее завершении.

**ПРИМЕЧАНИЕ.** Калибровка, выполненная для одного из режимов движения («КОНТРОЛЬ», «СТАНДАРТ», «СПОРТ»), может быть недоступна для двух других режимов. При необходимости откалибруйте рулевое колесо для каждого режима движения отдельно.

## СБРОС КОСИЛКИ ДО ПЕРВОНАЧАЛЬНЫХ ЗАВОДСКИХ НАСТРОЕК (Рис. I)

**ПРИМЕЧАНИЕ.** Звуковой сигнал прозвучит один раз при начале сброса настроек и при его завершении.

**ПРИМЕЧАНИЕ.** После успешного сброса нижеуказанные настройки вернуться к первоначальным заводским значениям:

- режим движения;
- скорость движения;
- калибровка рулевого колеса.

## ХРАНЕНИЕ И ТРАНСПОРТИРОВКА

### ТРАНСПОРТИРОВКА КОСИЛКИ (Рис. J1–J5)

**ПРИМЕЧАНИЕ.** При необходимости закрепите косилку с помощью ремней или тросов, чтобы предотвратить ее перемещение во время транспортировки.

### ХРАНЕНИЕ (рис. K1 — K2)

**ПРИМЕЧАНИЕ.** Извлеките аккумуляторы и уберите их на хранение согласно инструкциям в соответствующих руководствах.

Очистите и проверьте косилку перед уборкой на хранение в соответствии с разделами **ОЧИСТКА КОСИЛКИ** и **РЕКОМЕНДУЕМОЕ РАСПИСАНИЕ ОБСЛУЖИВАНИЯ**.

### Защита окружающей среды



Утилизация отходов электрического и электронного оборудования (WEEE). Не выбрасывайте электроприборы, зарядные устройства и аккумуляторные батареи вместе с бытовыми отходами! Отправьте данное изделие на переработку в специализированное предприятие или сдайте его для отдельного сбора. Электроинструменты должны быть возвращены на перерабатывающее предприятие, не наносящее ущерба окружающей среде.


RU

## УСТРАНЕНИЕ НЕПОЛАДОК

ПРОБЛЕМА	ПРИЧИНА	РЕШЕНИЕ
<p>Косилка не движется, когда педаль акселератора нажата.</p>	<ul style="list-style-type: none"> <li>Суммарная емкость установленных аккумуляторов не соответствует требованиям.</li> </ul>	<ul style="list-style-type: none"> <li>Чтобы запустить эту косилку, используйте достаточное количество аккумуляторов EGO в соответствии с инструкциями в разделе «УСТАНОВКА И ИЗВЛЕЧЕНИЕ АККУМУЛЯТОРА» настоящего руководства.</li> </ul>
	<ul style="list-style-type: none"> <li>Педаль стояночного тормоза установлена в положение торможения.</li> </ul>	<ul style="list-style-type: none"> <li>Полностью отпустите педаль стояночного тормоза, чтобы вывести ее из положения торможения.</li> </ul>
	<ul style="list-style-type: none"> <li>Для того чтобы индикатор состояния косилки светился зеленым при запуске косилки, оператор должен на короткое время потянуть на себя левый и правый лепестки.</li> </ul>	<ul style="list-style-type: none"> <li>Одновременно потяните левый и правый лепестки на себя, а затем отпустите. Индикатор состояния косилки будет светиться зеленым. Это означает, что косилка готова к запуску.</li> </ul>
	<ul style="list-style-type: none"> <li>Оператор не сидит на сиденье.</li> </ul>	<ul style="list-style-type: none"> <li>Только когда оператор правильно сидит на сиденье, он может управлять косилкой.</li> </ul>
	<ul style="list-style-type: none"> <li>Переключатель сиденья подключен неправильно.</li> </ul>	<ul style="list-style-type: none"> <li>Снимите аккумулятор с косилки и разберите сиденье в порядке, обратном инструкциям в разделе <b>УСТАНОВКА СИДЕНЬЯ</b> в этом руководстве. Убедитесь, что вилка кабеля правильно подключена к разъему в нижней части сиденья. Установите сиденье на место и следуйте инструкциям в разделе <b>ЗАПУСК КОСИЛКИ</b>. Проверьте, можно ли теперь запустить косилку. Если нет, обратитесь для ремонта к квалифицированному специалисту.</li> </ul>
	<ul style="list-style-type: none"> <li>При экстремально холодной погоде функция движения может не запуститься из-за срабатывания защиты от низкой температуры.</li> </ul>	<ul style="list-style-type: none"> <li>Всегда храните косилку и аккумулятор в теплом месте. Перезапустите косилку, когда она прогреется. Не делайте повторных попыток в условиях сильного холода, который может повредить устройство.</li> </ul>
	<ul style="list-style-type: none"> <li>Пространство под педалью акселератора забито мусором.</li> </ul>	<ul style="list-style-type: none"> <li>Проверьте и удалите мусор.</li> </ul>
	<ul style="list-style-type: none"> <li>Неисправность механических или электронных компонентов педали акселератора.</li> </ul>	<ul style="list-style-type: none"> <li>Обратитесь для ремонта к квалифицированному специалисту.</li> </ul>

RU

ПРОБЛЕМА	ПРИЧИНА	РЕШЕНИЕ
Косилка прекратила движение.	<ul style="list-style-type: none"> <li>Необходимо выполнить «сброс» левого или правого лепестка.</li> </ul>	<ul style="list-style-type: none"> <li>Потяните на себя левый или правый лепесток, затем отпустите. Если индикатор состояния светится зеленым, косилка готова к работе.</li> </ul>
	<ul style="list-style-type: none"> <li>Неисправность электронных компонентов педали акселератора.</li> </ul>	<ul style="list-style-type: none"> <li>Обратитесь для ремонта к квалифицированному специалисту.</li> </ul>
	<ul style="list-style-type: none"> <li>Система защитной блокировки сиденья отсоединилась во время движения по пересеченной местности.</li> </ul>	<ul style="list-style-type: none"> <li>Снимите аккумулятор с косилки и разберите сиденье в порядке, обратном инструкциям в разделе <b>УСТАНОВКА СИДЕНЬЯ</b> в этом руководстве. Убедитесь, что вилка кабеля правильно подключена к разъему в нижней части сиденья. Установите сиденье на место и следуйте инструкциям в разделе <b>ЗАПУСК КОСИЛКИ</b>. Проверьте, можно ли теперь запустить косилку. Если нет, обратитесь для ремонта к квалифицированному специалисту.</li> </ul>
	<ul style="list-style-type: none"> <li>Масса оператора неравномерно распределена по сиденью. Масса оператора на сиденье должна быть не менее 20 кг, чтобы система защитной блокировки сиденья работала должным образом.</li> </ul>	<ul style="list-style-type: none"> <li>Сядьте на сиденье правильно и потяните на себя левый, правый или оба лепестка, затем отпустите. Косилка будет готова к работе.</li> </ul>
	<ul style="list-style-type: none"> <li>При необходимости отсоедините и снова подсоедините аккумуляторную батарею.</li> </ul>	
Режим движения нельзя регулировать во время перемещения.	<ul style="list-style-type: none"> <li>Педаль стояночного тормоза была нажата для снижения скорости движения. Как только педаль стояночного тормоза будет нажата достаточно, но не до положения парковки, косилка остановится.</li> </ul>	<ul style="list-style-type: none"> <li>Следуйте инструкциям в разделе <b>ЗАПУСК КОСИЛКИ</b>, чтобы перезапустить косилку.</li> </ul>
	<ul style="list-style-type: none"> <li>Эта функция предназначена для обеспечения безопасности при эксплуатации косилки.</li> </ul>	<ul style="list-style-type: none"> <li>Регулировка доступна только тогда, когда колеса косилки остановлены.</li> </ul>

ПРОБЛЕМА	ПРИЧИНА	РЕШЕНИЕ
<p>Косилка не запускает режущие элементы при включенном переключателе отбора мощности.</p>  <p>Мигает символ переключателя отбора мощности.</p>	<ul style="list-style-type: none"> <li>Суммарная емкость установленных аккумуляторов не соответствует требованиям.</li> </ul>	<ul style="list-style-type: none"> <li>Чтобы запустить эту косилку, используйте достаточное количество аккумуляторов EGO в соответствии с инструкциями в разделе «УСТАНОВКА И ИЗВЛЕЧЕНИЕ АККУМУЛЯТОРА» настоящего руководства.</li> </ul>
	<ul style="list-style-type: none"> <li>Переключатель отбора мощности не был нажат при последнем выключении косилки.</li> </ul>	<ul style="list-style-type: none"> <li>Нажмите переключатель отбора мощности вниз, а затем вверх, чтобы перезапустить двигатели режущих элементов.</li> </ul>
	<ul style="list-style-type: none"> <li>В момент запуска режущих элементов косилка была перегружена, в результате чего сработала защита двигателя.</li> </ul>	<ul style="list-style-type: none"> <li>Начинайте скашивать траву сначала на более низкой скорости вращения режущих элементов и не увеличивайте эту скорость, пока режущие элементы не начнут вращаться нормально.</li> </ul>
	<ul style="list-style-type: none"> <li>При экстремально холодной погоде двигатель режущих элементов может не запуститься из-за срабатывания защиты от низкой температуры.</li> </ul>	<ul style="list-style-type: none"> <li>Всегда храните косилку и аккумулятор в теплом месте. Перезапустите косилку, когда она прогреется. Не делайте повторных попыток в условиях сильного холода, который может повредить устройство.</li> </ul>
	<ul style="list-style-type: none"> <li>Режущие элементы цепляются за деформированную платформу косилки.</li> </ul>	<ul style="list-style-type: none"> <li>Обратитесь в сервисный центр EGO.</li> </ul>
	<ul style="list-style-type: none"> <li>Косилка движется в режиме «TRAVEL» (походный режим).</li> </ul>	<ul style="list-style-type: none"> <li>Когда косилка движется в режиме «TRAVEL» (походный режим), двигатели режущих элементов автоматически останавливаются.</li> </ul>

RU

ПРОБЛЕМА	ПРИЧИНА	РЕШЕНИЕ
Режущие элементы перестали работать во время скашивания травы.	<ul style="list-style-type: none"> <li>Косилка перегружена.</li> </ul>	<ul style="list-style-type: none"> <li>Увеличьте высоту скашивания платформы или уменьшите скорость хода, чтобы снизить нагрузку на косилку.</li> </ul>
	<ul style="list-style-type: none"> <li>Платформа косилки забита травой и мусором.</li> </ul>	<ul style="list-style-type: none"> <li>Очистите платформу косилки и убедитесь, что режущие элементы свободно перемещаются.</li> </ul>
	<ul style="list-style-type: none"> <li>Косилка перегрелась.</li> </ul>	<ul style="list-style-type: none"> <li>Уменьшите нагрузку на косилку, увеличив высоту скашивания платформы или замедлив скорость вращения режущих элементов / хода, и дайте косилке остыть.</li> </ul>
	<ul style="list-style-type: none"> <li>Аккумуляторы в аккумуляторном отсеке косилки перегрелись, в результате чего суммарная емкость всех установленных аккумуляторов стала ниже требуемой.</li> </ul>	<ol style="list-style-type: none"> <li>Косилка может продолжить работу, если суммарная емкость используемых аккумуляторов, исключая перегретый, соответствует требованиям. Как только перегретый аккумулятор остынет до нормальной температуры, он сразу же будет использован для питания косилки.</li> </ol>
		<ol style="list-style-type: none"> <li>Если суммарная емкость используемых аккумуляторов меньше требуемой, косилка не будет работать до тех пор, пока в свободные аккумуляторные отсеки не будут установлены дополнительные аккумуляторы.</li> </ol>
		<ol style="list-style-type: none"> <li>При возобновлении работы уменьшите нагрузку на косилку, увеличив высоту скашивания платформы или замедлив скорость хода.</li> </ol>
	<ul style="list-style-type: none"> <li>Косилка находится в аварийном режиме.</li> </ul>	<ul style="list-style-type: none"> <li>Когда косилка находится в аварийном режиме, режущие элементы автоматически переключаются на низкую скорость вращения. Оператор должен прекратить работу и как можно скорее отправиться к месту зарядки аккумулятора.</li> </ul>
	<ul style="list-style-type: none"> <li>Косилка столкнулась с посторонним предметом, в результате чего сработала защита двигателя.</li> </ul>	<ul style="list-style-type: none"> <li>Нажмите переключатель отбора мощности вниз, а затем вверх, чтобы перезапустить двигатели режущих элементов.</li> </ul>
<ul style="list-style-type: none"> <li>Скорость косилки регулируется в режиме «TRAVEL» (походный режим).</li> </ul>	<ul style="list-style-type: none"> <li>При выборе режима «TRAVEL» двигатели режущих элементов автоматически останавливаются.</li> </ul>	



ПРОБЛЕМА	ПРИЧИНА	РЕШЕНИЕ
Звуковой сигнал продолжает звучать.	<ul style="list-style-type: none"> <li>Косилка находится в аварийном режиме, а режущие элементы не выключаются.</li> </ul>	<ul style="list-style-type: none"> <li>Нажмите переключатель отбора мощности вниз, чтобы отключить двигатели режущих элементов. Звуковой сигнал перестанет звучать, когда двигатели режущих элементов выключатся.</li> </ul>
	<ul style="list-style-type: none"> <li>Косилка прекратила движение по склону, а оператор встал с сиденья, не установив педаль стояночного тормоза в положение торможения.</li> </ul>	<ul style="list-style-type: none"> <li>Прежде чем оставить косилку на склоне, установите педаль стояночного тормоза в положение торможения.</li> </ul>
Индикаторы заряда аккумулятора светятся, когда косилка выключена.	<ul style="list-style-type: none"> <li>Если косилка выключается на ровной поверхности без извлечения из нее аккумуляторов, индикаторы заряда аккумулятора, кнопка запуска/остановки и кнопка CCS будут светиться в течение определенного времени.</li> </ul>	<ul style="list-style-type: none"> <li>Никаких действий не требуется. Когда косилка выключится через некоторое время, индикаторы заряда батареи перестанут светиться. Конкретное время указано в разделе «<b>ОСТАНОВКА ЭЛЕКТРИЧЕСКОЙ КОСИЛКИ</b>».</li> </ul>
	<ul style="list-style-type: none"> <li>Если косилка выключается на склоне без установки стояночного тормоза в положение торможения, индикаторы заряда аккумулятора будут светиться до тех пор, пока заряд аккумуляторов не иссякнет. В то же время звуковой сигнал будет продолжать звучать.</li> </ul>	<ul style="list-style-type: none"> <li>Прежде чем оставить косилку на склоне, установите педаль стояночного тормоза в положение торможения.</li> </ul>
ЖК-дисплей не подсвечивается при включении всех символов.	<ul style="list-style-type: none"> <li>Время нажатия на кнопку запуска/остановки было достаточным.</li> </ul>	<ul style="list-style-type: none"> <li>При коротком нажатии кнопки запуска/остановки на ЖК-дисплее будет отображаться только указатель уровня заряда.</li> </ul>
		<ul style="list-style-type: none"> <li>ЖК-дисплей включится после нажатия кнопки запуска/остановки и ее удержания в течение достаточного времени.</li> </ul>
Косилка стрижет неравномерно, со значительным перепадом высоты спереди и сзади.	<ul style="list-style-type: none"> <li>Режущие элементы затупились.</li> </ul>	<ul style="list-style-type: none"> <li>Заточите или замените режущий элемент в соответствии с инструкциями, приведенными в данном руководстве.</li> </ul>
	<ul style="list-style-type: none"> <li>Режущие элементы изогнуты.</li> </ul>	<ul style="list-style-type: none"> <li>Замените погнутый режущий элемент, следуя инструкциям в разделе <b>ЗАМЕНА РЕЖУЩИХ ЭЛЕМЕНТОВ</b>.</li> </ul>
	<ul style="list-style-type: none"> <li>Платформа косилки не выровнена, что является причиной разной высоты режущих элементов.</li> </ul>	<ul style="list-style-type: none"> <li>Выровняйте платформу косилки, следуя инструкциям в разделе <b>ВЫРАВНИВАНИЕ ПЛАТФОРМЫ КОСИЛКИ</b>.</li> </ul>









ПРОБЛЕМА	ПРИЧИНА	РЕШЕНИЕ
Фактическая высота скашивания травы не соответствует заявленной.	<ul style="list-style-type: none"> <li>Крепление гаек платформы косилки на сцепном устройстве подвески ослабло.</li> </ul>	<ul style="list-style-type: none"> <li>Следуя инструкциям в разделе «<b>ВЫРАВНИВАНИЕ ПЛАТФОРМЫ КОСИЛКИ</b>», выполните правильную регулировку платформы косилки спереди и сзади и надежно затяните гайки на сцепном устройстве подвески.</li> </ul>
	<ul style="list-style-type: none"> <li>Платформа косилки повреждена или серьезно изношена.</li> </ul>	<ul style="list-style-type: none"> <li>Следуйте инструкциям в разделе <b>СНЯТИЕ ПЛАТФОРМЫ КОСИЛКИ</b> для замены платформы косилки.</li> </ul>
Косилка не делает мульчу должным образом.	<ul style="list-style-type: none"> <li>На внутреннюю поверхность платформы налипла срезанная трава.</li> </ul>	<ul style="list-style-type: none"> <li>Перед скашиванием дождитесь высыхания травы.</li> </ul>
	<ul style="list-style-type: none"> <li>Косилка отрегулирована так, что срезает слишком много травы за один заход.</li> </ul>	<ul style="list-style-type: none"> <li>Увеличьте высоту скашивания платформы.</li> </ul>
Чрезмерная вибрация.	<ul style="list-style-type: none"> <li>Режущие элементы плохо закреплены.</li> </ul>	<ul style="list-style-type: none"> <li>Затяните болт режущего элемента с рекомендуемым моментом затяжки.</li> </ul>
	<ul style="list-style-type: none"> <li>Режущие элементы изогнуты.</li> </ul>	<ul style="list-style-type: none"> <li>Замените погнутый режущий элемент, следуя инструкциям в разделе <b>ЗАМЕНА РЕЖУЩИХ ЭЛЕМЕНТОВ</b>.</li> </ul>
	<ul style="list-style-type: none"> <li>Платформа косилки не выровнена.</li> </ul>	<ul style="list-style-type: none"> <li>Выверните платформу косилки, следуя инструкциям в разделе <b>ВЫРАВНИВАНИЕ ПЛАТФОРМЫ КОСИЛКИ</b>.</li> </ul>
	<ul style="list-style-type: none"> <li>Крепление гаек платформы косилки на сцепном устройстве подвески ослабло.</li> </ul>	<ul style="list-style-type: none"> <li>Затяните гайки на сцепном устройстве подвески.</li> </ul>
	<ul style="list-style-type: none"> <li>Косилка отрегулирована так, что срезает слишком много травы за один заход.</li> </ul>	<ul style="list-style-type: none"> <li>Увеличьте высоту скашивания платформы.</li> </ul>
После скашивания на земле остается трава или мусор.	<ul style="list-style-type: none"> <li>Косилка отрегулирована так, что срезает слишком много травы за один заход, когда трава высокая.</li> </ul>	<ul style="list-style-type: none"> <li>Начните с большой высоты скашивания и уменьшайте ее до тех пор, пока не будет достигнут желаемый результат скашивания. Траву высотой более 152 мм следует скашивать в два захода, постепенно снижая высоту скашивания.</li> </ul>
	<ul style="list-style-type: none"> <li>Трава мокрая.</li> </ul>	<ul style="list-style-type: none"> <li>Не косите мокрую траву, пока она не высохнет.</li> </ul>
	<ul style="list-style-type: none"> <li>Высокая скорость хода.</li> </ul>	<ul style="list-style-type: none"> <li>Уменьшите скорость хода.</li> </ul>
	<ul style="list-style-type: none"> <li>Скорость вращения режущего элемента слишком низкая.</li> </ul>	<ul style="list-style-type: none"> <li>Постепенно увеличивайте скорость режущего элемента.</li> </ul>

ПРОБЛЕМА	ПРИЧИНА	РЕШЕНИЕ
Малое время работы косилки от аккумулятора.	<ul style="list-style-type: none"> <li>На время работы сильно влияют рельеф газона, состояние травы, установка высоты стрижки, скорость движения, скорость вращения режущих элементов и т. д.</li> </ul>	<ul style="list-style-type: none"> <li>Увеличьте высоту скашивания платформы и уменьшите скорость режущего элемента, чтобы снизить нагрузку.</li> </ul>
Косилка не движется по прямой.	<ul style="list-style-type: none"> <li>Давление в шинах левого и правого задних колес различается.</li> </ul>	<ul style="list-style-type: none"> <li>Проверьте и отрегулируйте давление воздуха в шинах обоих задних колес в соответствии с инструкциями в разделе <b>ТЕХНИЧЕСКИЕ ХАРАКТЕРИСТИКИ</b>.</li> </ul>
	<ul style="list-style-type: none"> <li>Скорость хода для левого и правого задних колес различается.</li> </ul>	<ul style="list-style-type: none"> <li>Откалибруйте рулевое колесо, следуя инструкциям в разделе <b>КАЛИБРОВКА СИСТЕМЫ МОНИТОРИНГА КОСИЛКИ</b>.</li> </ul>
Педаль стояночного тормоза не отпускается из положения торможения или слишком медленно возвращается в исходное положение.	<ul style="list-style-type: none"> <li>Возможно, внутрь педали стояночного тормоза попал мусор или грязь.</li> </ul>	<ul style="list-style-type: none"> <li>Откройте отсек педали стояночного тормоза, чтобы тщательно очистить его изнутри, а затем закройте. Верните педаль стояночного тормоза в исходное положение и проверьте, устранена ли проблема. Если нет, обратитесь для ремонта к квалифицированному специалисту.</li> </ul>
Косилку нельзя зарядить через зарядный порт, когда индикатор состояния косилки постоянно светится красным.	<ul style="list-style-type: none"> <li>Штекер зарядного устройства неправильно вставлен в порт зарядки на косилке.</li> </ul>	<ul style="list-style-type: none"> <li>Снова подсоедините штекер зарядного устройства и проверьте, может ли косилка нормально заряжаться.</li> </ul>
	<ul style="list-style-type: none"> <li>В розетке электросети нет питания.</li> </ul>	<ul style="list-style-type: none"> <li>Никаких действий не требуется. Подождите, пока питание не восстановится.</li> </ul>
	<ul style="list-style-type: none"> <li>Неисправность зарядного устройства.</li> </ul>	<ul style="list-style-type: none"> <li>Обратитесь в сервисный центр EGO для проверки и при необходимости ремонта зарядного устройства.</li> </ul>
	<ul style="list-style-type: none"> <li>Зарядный разъем на косилке неисправен.</li> </ul>	<ul style="list-style-type: none"> <li>Обратитесь в сервисный центр EGO.</li> </ul>
Слишком большое время зарядки косилки через порт для зарядки.	<ul style="list-style-type: none"> <li>Зарядка с помощью адаптера EGO ACA1000 требует длительного времени.</li> </ul>	<ul style="list-style-type: none"> <li>Используйте зарядное устройство EGO CHV1600E для непосредственной зарядки косилки.</li> </ul>

ПРОБЛЕМА	ПРИЧИНА	РЕШЕНИЕ
Аккумулятор не удается полностью зарядить через порт для зарядки косилки.	<ul style="list-style-type: none"> <li>Ошибка прошивки косилки либо неисправность аккумулятора или зарядного устройства.</li> </ul>	<ul style="list-style-type: none"> <li>Выполните сброс зарядного устройства. Для этого отключите его от электропитания и подождите несколько минут. Затем снова подключите зарядное устройство к источнику питания. Если это не решит проблему, обратитесь в сервисный центр EGO.</li> </ul>
Косилка не запускается после очистки.	<ul style="list-style-type: none"> <li>Неправильная очистка, например попадание воды на электрические компоненты, ЖК-дисплей и т. д.</li> </ul>	<ul style="list-style-type: none"> <li>Для правильной очистки косилки следуйте инструкциям в разделе <b>ОБЩЕЕ ОБСЛУЖИВАНИЕ</b>.</li> </ul>
		<ul style="list-style-type: none"> <li>Если косилка случайно попала под дождь, дайте ей высохнуть на воздухе или используйте сжатый воздух для сушки.</li> </ul>
Платформа косилки быстро засоряется.	<ul style="list-style-type: none"> <li>Платформа косилки не была должным образом очищена после предыдущего использования.</li> </ul>	<ul style="list-style-type: none"> <li>Очищайте платформу косилки после каждого использования, следуя инструкциям в разделе <b>ИСПОЛЬЗОВАНИЕ ПРОМЫВОЧНОГО ПОРТА ДЛЯ ОЧИСТКИ ПЛАТФОРМЫ КОСИЛКИ</b>.</li> </ul>
Косилка быстро теряет тягу при подъеме по склону.	<ul style="list-style-type: none"> <li>Шины задних колес изношены.</li> </ul>	<ul style="list-style-type: none"> <li>Обратитесь в местный сервис для замены шин.</li> </ul>
	<ul style="list-style-type: none"> <li>Слишком крутой склон.</li> </ul>	<ul style="list-style-type: none"> <li>Косилку нельзя использовать для скашивания на склонах круче определенного количества градусов.</li> </ul>
Когда косилка останавливается на склоне с нажатой педалью стояночного тормоза, она может соскальзывать вниз по склону.	<ul style="list-style-type: none"> <li>Компоненты тормоза чрезмерно изношены из-за неправильной эксплуатации косилки.</li> </ul>	<ul style="list-style-type: none"> <li>Обратитесь в сервисный центр EGO для ремонта.</li> </ul>
При мытье платформы вода из промывочного порта не поступает.	<ul style="list-style-type: none"> <li>Быстроразъемная муфта промывочного порта установлена неправильно.</li> </ul>	<ul style="list-style-type: none"> <li>Подсоедините быстроразъемное соединение промывочного порта, сильно прижав его до четкого щелчка. Если это не помогло, обратитесь в сервисный центр EGO.</li> </ul>
При ручном толкании косилки без запуска слышен ненормальный звук.	<ul style="list-style-type: none"> <li>Звук исходит от магнитов внутри двигателя.</li> </ul>	<ul style="list-style-type: none"> <li>Никаких действий не требуется, это нормально.</li> </ul>
Рулевое колесо не вращается.	<ul style="list-style-type: none"> <li>Узел рулевого колеса забит мусором.</li> </ul>	<ul style="list-style-type: none"> <li>Проверьте и удалите мусор.</li> </ul>

ПРОБЛЕМА	ПРИЧИНА	РЕШЕНИЕ
Косилка не поворачивается влево/вправо при вращении рулевого колеса.	<ul style="list-style-type: none"> <li>Выход из строя электронных или механических компонентов.</li> </ul>	<ul style="list-style-type: none"> <li>Обратитесь в сервисный центр EGO для ремонта.</li> </ul>
Косилка не останавливается при отпускании педали акселератора.	<ul style="list-style-type: none"> <li>Возвратный путь педали акселератора забит мусором.</li> </ul>	<ul style="list-style-type: none"> <li>Проверьте и удалите мусор.</li> </ul>
	<ul style="list-style-type: none"> <li>Кнопка CCS была случайно нажата во время движения. Косилка находится в режиме круиз-контроля.</li> </ul>	<ul style="list-style-type: none"> <li>Проверьте, светится ли значок CCS на ЖК-дисплее, и при необходимости выйдите из режима CCS. См. главу <b>ИСПОЛЬЗОВАНИЕ КРУИЗ-КОНТРОЛЯ (CCS)</b>.</li> </ul>
Не удается активировать или отключить режим CCS.	<ul style="list-style-type: none"> <li>Кнопка CCS не нажата должным образом.</li> </ul>	<ul style="list-style-type: none"> <li>Нажимайте кнопку CCS до тех пор, пока значок CCS не начнет светиться на ЖК-дисплее или не погаснет на ЖК-дисплее.</li> </ul>
Косилка не может двигаться задним ходом, когда оператор тянет на себя левый или правый лепесток.	<ul style="list-style-type: none"> <li>Индикатор состояния косилки не светится зеленым, косилка не готова к работе.</li> </ul>	<ul style="list-style-type: none"> <li>Следуйте указаниям раздела «ЗАПУСК КОСИЛКИ», чтобы индикатор состояния косилки стал зеленым и косилка была готова к работе.</li> </ul>
	<ul style="list-style-type: none"> <li>Оператор не потянул на себя левый и (или) правый лепесток должным образом.</li> </ul>	<ul style="list-style-type: none"> <li>Потяните на себя левый или правый лепесток (или оба одновременно), пока не услышите щелчок.</li> </ul>
	<ul style="list-style-type: none"> <li>Левый и (или) правый лепесток не притянуты к оператору.</li> </ul>	<ul style="list-style-type: none"> <li>Для движения задним ходом по крайней мере один из лепестков должен удерживаться нажатым в сторону оператора.</li> </ul>
	<ul style="list-style-type: none"> <li>Левый и (или) правый лепесток сломаны.</li> </ul>	<ul style="list-style-type: none"> <li>Обратитесь для ремонта к квалифицированному специалисту.</li> </ul>

## СВЕДЕНИЯ О СОСТОЯНИИ КОСИЛКИ И КОДАХ НЕИСПРАВНОСТЕЙ

ЖК-дисплей	Описание	Код неисправности на ЖК-дисплее	Индикатор состояния косилки	Звуковой сигнал	Причина	Решение
	Символ светодиодной подсветки отображается на ЖК-дисплее.	–	ВЫКЛ.	Нет	Фары, боковые и задние светодиоды включаются с помощью переключателя светодиодной подсветки.	Это нормально. Никаких действий не требуется.
	Символ USB отображается на ЖК-дисплее.	–	ВЫКЛ.	Нет	Светящийся символ USB означает, что USB-устройство может работать после правильного запуска косилки.	Это нормально. Никаких действий не требуется.
	Символ уровня заряда отображается на ЖК-дисплее.	–	ВЫКЛ.	Нет	Показывает среднюю емкость заряда установленных аккумуляторов.	Это нормально. Никаких действий не требуется.
	Символ счетчика моточасов отображается на ЖК-дисплее.	–	ВЫКЛ.	Нет	Показывает общее время работы косилки в часах и не может быть сброшен.	Это нормально. Никаких действий не требуется.
	Символ индикатора нагрузки отображается в диапазоне ECO.	–	ВЫКЛ.	Нет	Показывает текущую нагрузку на косилку.	Это нормально. Никаких действий не требуется.
	Символ заднего хода отображается на ЖК-дисплее.	–	ВЫКЛ.	Нет	Показывает, что косилка движется назад.	Это нормально. Никаких действий не требуется.

**RU**

ЖК-дисплей	Описание	Код неисправности на ЖК-дисплее	Индикатор состояния косилки	Звуковой сигнал	Причина	Решение
	Символ ключа безопасности мигает.	—	ВЫКЛ.	Нет	Ключ безопасности не установлен.	Вставьте ключ безопасности, затем нажмите и удерживайте кнопку запуска/остановки, чтобы включить косилку.
					Блок панели управления ключами в сборе поврежден.	Ремонт должен выполнять квалифицированный специалист.
	Символ определенного аккумуляторного отсека мигает.	—	ВЫКЛ.	Нет	Определенный аккумулятор во время разрядки имеет перегрузку по току.	Никаких действий не требуется. Косилка может продолжить работу, если суммарная емкость используемых аккумуляторов, исключая имеющий перегрузку, соответствует требованиям. Как только аккумулятор с перегрузкой вернется в нормальное состояние, он сразу же будет использован для питания косилки.

RU

ЖК-дисплей	Описание	Код неисправности на ЖК-дисплее	Индикатор состояния косилки	Звуковой сигнал	Причина	Решение
	Символ пустого аккумуляторного отсека мигает.	—	ВЫКЛ.	Нет	Емкости аккумулятора недостаточно для работы косилки.	Чтобы запустить эту косилку, используйте достаточное количество аккумуляторов EGO в соответствии с инструкциями в разделе «УСТАНОВКА И ИЗВЛЕЧЕНИЕ АККУМУЛЯТОРА» настоящего руководства.
	Индикатор перегрузки мигает.	—	Мигает красным	Один звуковой сигнал	<p>Двигатель режущих элементов перегружен.</p> <p>Боковой разгрузочный желоб забит травой и мусором.</p> <p>Препятствие между режущим элементом и платформой.</p>	<p>Увеличьте высоту скашивания платформы или уменьшите скорость хода, чтобы снизить нагрузку на косилку.</p> <p>Очищайте боковой разгрузочный желоб после каждого использования.</p> <p>Обратитесь в сервисный центр EGO.</p>

**RU**

ЖК-дисплей	Описание	Код неисправности на ЖК-дисплее	Индикатор состояния косилки	Звуковой сигнал	Причина	Решение
	Символ температуры мигает.	—	ВЫКЛ.	Один звуковой сигнал	Косилка перегрелась.	Уменьшите нагрузку на косилку, увеличив высоту скашивания платформы или замедлив скорость режущих элементов / хода. Сделайте перерыв и дайте косилке остыть.
					Косилка слишком холодная.	Не делайте повторных попыток, которые могут повредить устройство. Всегда храните косилку и аккумуляторы в теплом месте. Перезапустите косилку, когда она прогреется.

RU



ЖК-дисплей	Описание	Код неисправности на ЖК-дисплее	Индикатор состояния косилки	Звуковой сигнал	Причина	Решение
	<p>Одновременно мигают символы температуры и конкретного занятого аккумуляторного отсека.</p>	—	ВЫКЛ.	Нет	Аккумулятор в соответствующем отсеке перегрелся.	<p>1. Косилка может продолжить работу, если суммарная емкость используемых аккумуляторов, исключая перегретый, соответствует требованиям. Как только перегретый аккумулятор остынет до нормальной температуры, он сразу же будет использован для питания косилки.</p> <p>2. Если суммарная емкость используемых аккумуляторов недостаточна, косилка не будет работать до тех пор, пока в свободные аккумуляторные отсеки не будут установлены дополнительные аккумуляторы.</p> <p>3. При возобновлении работы уменьшите нагрузку на косилку, увеличив высоту скашивания платформы или замедлив скорость хода.</p>

RU




ЖК-дисплей	Описание	Код неисправности на ЖК-дисплее	Индикатор состояния косилки	Звуковой сигнал	Причина	Решение
	<p>На ЖК-дисплее каждую 1 секунду одновременно мигают символы каждого занятого аккумуляторного отсека, индикатора низкого уровня питания и уровня заряда. Также мигает первый светодиодный индикатор уровня заряда и состояния косилки.</p>	—	Мигает красным	Продолжает издавать звуковой сигнал, пока переключатель отбора мощности не будет перемещен вниз.	Аккумуляторы разряжены, косилка находится в аварийном режиме.	<p>Прекратите работу и вернитесь к месту зарядки аккумулятора.</p> <p><b>ПРИМЕЧАНИЕ.</b> Когда косилка находится в аварийном режиме, режущие элементы автоматически переключаются на низкую скорость вращения, а звуковой сигнал звучит непрерывно. Нажмите переключатель отбора мощности вниз, чтобы отключить режущие элементы. Звуковой сигнал перестанет звучать, когда режущие элементы остановятся.</p>
	<p>Символ каждого занятого аккумуляторного отсека и индикатор низкого уровня питания мигают каждые полсекунды, светодиодный индикатор уровня заряда также мигает красным каждые полсекунды.</p>	—	Мигает красным	Продолжает издавать звуковой сигнал.	Аккумуляторы разряжены почти полностью.	<p>Косилка немедленно прекратит работу. Оператор должен транспортировать косилку к месту зарядки аккумулятора.</p>

RU

ЖК-дисплей	Описание	Код неисправности на ЖК-дисплее	Индикатор состояния косилки	Звуковой сигнал	Причина	Решение
	На ЖК-дисплее мигает символ автоматической парковки.	–	ВЫКЛ.	Продолжает издавать звуковой сигнал.	Косилка припаркована на склоне, и оператор покидает косилку, не установив педаль стояночного тормоза в положение торможения.	Установите педаль тормоза в положение торможения. Символ автоматической парковки перестанет светиться, а звуковой сигнал перестанет звучать.
	Символ педали тормоза отображается на ЖК-дисплее.	–	ВЫКЛ.	Нет	Педаля стояночного тормоза установлена в положение торможения.	Отпустите педаль перед запуском косилки.

**ПРИМЕЧАНИЕ.** Если на ЖК-дисплее появляется код неисправности, извлеките все аккумуляторы и снова вставьте их через несколько минут. Если это не решит проблему, следуйте приведенным ниже инструкциям по устранению неполадок с кодом неисправности.

ЖК-дисплей	Описание	Код неисправности на ЖК-дисплее	Индикатор состояния косилки	Звуковой сигнал	Причина	Решение
	Символ датчика сиденья отображается на ЖК-дисплее.	–	ВЫКЛ.	Нет	Оператор покидает сиденье или отключается система защитной блокировки сиденья.	Если символ светится при сидении на сиденье операторе, немедленно прекратите использование косилки и проверьте соединение сиденья. Если сиденье правильно подключено к косилке, обратитесь к квалифицированному специалисту для ремонта.

ЖК-дисплей	Описание	Код неисправности на ЖК-дисплее	Индикатор состояния косилки	Звуковой сигнал	Причина	Решение
	Мигает символ переключателя отбора мощности.	–	ВЫКЛ.	Нет	Двигатель режущих элементов был остановлен во время работы, а переключатель отбора мощности не был установлен в выключенное положение.	Перед повторным запуском косилки переместите переключатель отбора мощности вниз, чтобы отключить двигатели режущих элементов. Для получения дополнительной информации см. раздел <b>УСТРАНЕНИЕ НЕПОЛАДОК</b> данного руководства.
	Периодически мигает символ регенерации энергии.	–	ВЫКЛ.	Нет	Кинетическая энергия, возникающая при торможении или движении под уклон, преобразуется в электричество для зарядки аккумуляторных батарей.	Это нормально. Никаких действий не требуется.
	Мигает символ CCS.	–	ВЫКЛ.	Нет	Функция CCS (система круиз-контроля) вышла из строя.	Функция CCS не может быть включена, когда косилка движется на очень низкой скорости или движется задним ходом.

RU

ЖК-дисплей	Описание	Код неисправности на ЖК-дисплее	Индикатор состояния косилки	Звуковой сигнал	Причина	Решение
См. Код неисправности.	Левый приводной двигатель не вращается.	Отказ левого приводного двигателя с управлением от блока печатных плат.	413	ВЫКЛ.	Один звуковой сигнал	Неисправность блока печатных плат
		Ослабло соединение штекера (трехфазного, с проводом питания), соединяющего левый приводной двигатель с соответствующим блоком печатных плат.	317	ВЫКЛ.	Один звуковой сигнал	Плохое соединение
		Ослабло соединение штекера (шестиконтактного, с сигнальным проводом), соединяющего левый приводной двигатель с соответствующим блоком печатных плат.	301	ВЫКЛ.	Один звуковой сигнал	Плохое соединение
		Отказ левого приводного двигателя.	317	ВЫКЛ.	Один звуковой сигнал	Неисправность двигателя

**RU**

ЖК-дисплей	Описание		Код неисправности на ЖК-дисплее	Индикатор состояния косилки	Звуковой сигнал	Причина	Решение
См. Код неисправности.	Правый приводной двигатель не вращается.	Отказ правого приводного двигателя с управлением от блока печатных плат.	313	ВЫКЛ.	Один звуковой сигнал	Неисправность блока печатных плат	Ремонт должен выполнять квалифицированный специалист.
		Ослабло соединение штекера (трехфазного, с проводом питания), соединяющего правый приводной двигатель с соответствующим блоком печатных плат.	417	ВЫКЛ.	Один звуковой сигнал	Плохое соединение	
		Ослабло соединение штекера (шестиконтактного, с сигнальным проводом), соединяющего правый приводной двигатель с соответствующим блоком печатных плат.	401	ВЫКЛ.	Один звуковой сигнал	Плохое соединение	
		Отказ правого приводного двигателя.	417	ВЫКЛ.	Один звуковой сигнал	Неисправность двигателя	

ЖК-дисплей	Описание		Код неисправности на ЖК-дисплее	Индикатор состояния косилки	Звуковой сигнал	Причина	Решение
См. Код неисправности.	Левый двигатель режущих элементов не вращается.	Отказ левого двигателя режущих элементов с управлением от блока печатных плат.	607	–	Один звуковой сигнал	Неисправность блока печатных плат	Ремонт должен выполнять квалифицированный специалист.
		Ослабло соединение штекера (трехфазного, с проводом питания), соединяющего левый двигатель режущих элементов с соответствующим блоком печатных плат.	509	–	Один звуковой сигнал	Плохое соединение	Сначала осмотрите режущий элемент. Если он ослаблен, затяните болт с рекомендуемым моментом затяжки. В противном случае ремонт должен выполнять квалифицированный специалист.
		Отказ левого двигателя режущих элементов.	509	–	Один звуковой сигнал	Неисправность двигателя	
См. Код неисправности.	Правый двигатель режущих элементов не вращается.	Отказ правого двигателя режущих элементов с управлением от блока печатных плат.	507	–	Один звуковой сигнал	Неисправность блока печатных плат	Ремонт должен выполнять квалифицированный специалист.
		Ослабло соединение штекера (трехфазного, с проводом питания), соединяющего правый двигатель режущих элементов с соответствующим блоком печатных плат.	609	–	Один звуковой сигнал	Плохое соединение	Сначала осмотрите режущий элемент. Если он ослаблен, затяните болт с рекомендуемым моментом затяжки. В противном случае ремонт должен выполнять квалифицированный специалист.
		Отказ правого двигателя режущих элементов.	609	–	Один звуковой сигнал	Неисправность двигателя	

ЖК-дисплей	Описание	Код неисправности на ЖК-дисплее	Индикатор состояния косилки	Звуковой сигнал	Причина	Решение	
См. Код неисправности.	Отказ педали акселератора.	311/ 411	ВЫКЛ.	Один звуковой сигнал	Неисправность блока печатных плат	Ремонт должен выполнять квалифицированный специалист.	
		307/ 407			Плохое соединение		
См. Код неисправности.	Отказ рулевого колеса.	312/ 412	ВЫКЛ.	Один звуковой сигнал	Неисправность блока печатных плат	Ремонт должен выполнять квалифицированный специалист.	
					Плохое соединение		
См. Код неисправности.	Отказ стояночного тормоза, косилку невозможно привести в движение.	Поврежден блок печатных плат стояночного тормоза, который находится в узле передней рамы.	309/ 409	ВЫКЛ.	Один звуковой сигнал	Неисправность блока печатных плат	Ремонт должен выполнять квалифицированный специалист.
		Переключатель стояночного тормоза и (или) провод неисправны.					
ВЫКЛ.	Неисправность порта для зарядки.	–	Светится КРАСНЫМ	–	Порт зарядки находится в разомкнутой цепи.	Ремонт должен выполнять квалифицированный специалист.	
		–	Светится КРАСНЫМ	–	Нет питания.	Проверьте, исправна ли розетка и подается ли в нее напряжение 220–240 В.	
		–	Светится КРАСНЫМ	–	Предохранитель перегорел.	Ремонт должен выполнять квалифицированный специалист.	
См. Код неисправности.	Неисправность порта для зарядки.	204	–	Один звуковой сигнал	Порт зарядки находится в разомкнутой цепи.	Ремонт должен выполнять квалифицированный специалист.	

**RU**



ЖК-дисплей	Описание	Код неисправности на ЖК-дисплее	Индикатор состояния косилки	Звуковой сигнал	Причина	Решение
См. Код неисправности.	Неисправность блока аккумуляторного отсека.	217	–	Один звуковой сигнал	Источник питания от аккумуляторного отсека поврежден. Светодиодные фары и порт USB не будут работать.	Ремонт должен выполнять квалифицированный специалист.
		310/ 410	ВЫКЛ.	Один звуковой сигнал	Соединение между проводами Type C аккумуляторного отсека и другими проводами Type C косилки не работает.	
		201/ 202/ 203	ВЫКЛ.	Один звуковой сигнал	Система управления питанием аккумуляторного отсека повреждена.	
См. Код неисправности.	Неисправность выключателя запуска/остановки.	314/ 414	ВЫКЛ.	Один звуковой сигнал	Неисправность переключателя блока печатных плат или плохое соединение проводов выключателя запуска/остановки.	Ремонт должен выполнять квалифицированный специалист.

**RU**

ЖК-дисплей	Описание	Код неисправности на ЖК-дисплее	Индикатор состояния косилки	Звуковой сигнал	Причина	Решение
См. Код неисправности.	Неисправность ЖК-дисплея.	315/ 415	ВЫКЛ.	Один звуковой сигнал	Узел ЖК-дисплея поврежден или плохое соединение проводов ЖК-дисплея.	Ремонт должен выполнять квалифицированный специалист.

## ГАРАНТИЯ

### ГАРАНТИЙНАЯ ПОЛИТИКА EGO

Посетите веб-сайт [egopowerplus.com](http://egopowerplus.com), чтобы ознакомиться со всеми условиями и сроками гарантийной политики EGO.

RU

## PRZECZYTAJ WSZYSTKIE INSTRUKCJE!



PRZECZYTAJ INSTRUKCJĘ OPERATORA

## SYMBOL BEZPIECZEŃSTWA

Celem symboli bezpieczeństwa jest zwrócenie uwagi użytkownika na możliwe zagrożenia. Symbole bezpieczeństwa i objaśnienia do nich zasługują na to, aby je uważnie przestudiować i zrozumieć. Symbole bezpieczeństwa nie eliminują same z siebie jakichkolwiek zagrożeń. Podawane w nich instrukcje i ostrzeżenia nie zastępują odpowiednich środków zapobiegania wypadkom.

**▲ OSTRZEŻENIE:** Przed użyciem narzędzia należy koniecznie przeczytać ze zrozumieniem wszystkie instrukcje dotyczące bezpieczeństwa podane w podręczniku użytkownika, łącznie z wszystkimi symbolami ostrzegawczymi takimi jak „NIEBEZPIECZEŃSTWO”, „OSTRZEŻENIE” i „OSTROŻNIE”. Niestosowanie się do wszystkich podanych niżej instrukcji może doprowadzić do porażenia prądem, pożaru i/lub poważnych urazów ciała.

## ZNACZENIE SYMBOLI

Na tej stronie pokazano i opisano symbole bezpieczeństwa, które mogą występować na produkcie. Przed podjęciem próby złożenia i użycia urządzenia należy przeczytać i zrozumieć wszystkie instrukcje dotyczące narzędzia oraz zastosować się do nich.

PL

## SYMBOLE BEZPIECZEŃSTWA

	Ostrzeżenie dotyczące bezpieczeństwa		Przeczytaj ze zrozumieniem instrukcję użytkownika
	Okulary ochronne		Konserwacja urządzeń ochronnych
	NIEBEZPIECZEŃSTWO – zagrożenie strome zbocze		ZAGROŻENIE – Osoby postronne należy trzymać z daleka od ostrzy
	Nigdy nie woź dzieci		Patrz do tyłu w trakcie cofania
	OSTRZEŻENIE – Nie używaj maszyny na pochyłościach nachylonych pod kątem większym niż 12°		ZAGROŻENIE – Przedmioty wyrzucane w powietrze
	OSTRZEŻENIE – RĘCE I STOPY TRZYMAJ Z DALEKĄ		Gwarantowany poziom mocy akustycznej. Zgodnie z dyrektywą Wspólnoty Europejskiej.



Nie wchodzić



Zużytych wyrobów elektrycznych nie należy wyrzucać razem ze zwykłymi odpadami domowymi. Należy je oddać do autoryzowanego punktu recyklingu.



Ten produkt jest zgodny z obowiązującymi dyrektywami WE



OSTROŻNIE – Nie należy wpatrywać się we włączoną lampę.



Prąd stały



Produkt jest zgodny z dyrektywami obowiązującymi w Wielkiej Brytanii.

kPa Kilopaskal

obr./min Obroty na minutę

V Wolt

m Metry

in Cal

cm Centymetry

Nm Niutonometr

mm Milimetry

°C Celsjusz

kg Kilogram

km/h Kilometry na godzinę

IPX4 Stopień ochrony przed penetracją

PL

## SYMBOLS BEZPIECZEŃSTWA



Informacje, które należy zapamiętać



Wskazana czynność zostaje zatrzymana

## SPECYFIKACJA

Napięcie	56 V	
Wymiary pomostu	107 cm	
Rozmiar koła	Przód	279,4 x 101,6 – 127 mm
	Tył	457,2 x 241,3 – 203,2 mm
Ciśnienie zimnej opony	Przód	222,1 kPa
	Tył	110,3 kPa
Promień skrętu	0	
Prędkość ostrza (obr./min)	2400; 2600; 2800; 3000	

Maksymalna prędkość jazdy	Do przodu	4,8 km/h, 8,1 km/h, 9,7 km/h, 11,3 km/h (12,8 km/h w trybie podróznym)
	Do tyłu	do 5,6 km/h
Ładowanie	Ładowarka (opcjonalnie)	CHV1600E
	Prześciówka (opcjonalnie)	ACA1000
	Zakres temperatury ładowania	5°C - 40°C
Regulacja wysokości koszenia (10 pozycji)		25 – 100 mm

Temperatura pracy	0°C- 40°C	
Temperatura przechowywania	-20°C - 70°C	
Ciężar (bez akumulatora)	196 kg	
Zmierzony poziom mocy akustycznej $L_{WA}$	96,44 dB(A) K=0,68 dB(A)	
Poziom ciśnienia akustycznego na wysokości ucha operatora $L_{PA}$	84,3 dB(A) K=3,0 dB(A)	
Gwarantowany poziom mocy akustycznej $L_{WA}$ (zmierzony zgodnie z dyrektywą 2000/14/WE)	100 dB(A)	
Drgania $a_h$	Ręka	1,221 m/s <sup>2</sup> K = 1,5 m/s <sup>2</sup>
	Ciało	0,568 m/s <sup>2</sup> K = 1,5 m/s <sup>2</sup>

- Deklarowana całkowita wartość drgań została zmierzona zgodnie ze standardowymi metodami testowania i może służyć do porównywania różnych narzędzi.
- Deklarowana całkowita wartość drgań może również służyć do wstępnej oceny narażenia na drgań.

**INFORMACJA:** Emisja dźwięku podczas rzeczywistego stosowania elektronarzędzia może różnić się od deklarowanej wartości, w której narzędzie jest używane. Aby się zabezpieczyć, w rzeczywistych warunkach użytkownika użytkownik powinien nosić rękawice i nauszники ochronne.

## ZALECANE AKCESORIA

**⚠ OSTRZEŻENIE:** Należy używać wyłącznie części zamiennych podanych poniżej. Stosowanie części, które nie spełniają oryginalnych specyfikacji sprzętu może spowodować niewłaściwe działanie i narazić na niebezpieczeństwo.

NAZWA CZĘŚCI	NUMER MODELU
Standardowe ostrze	AB4200
Ostrze profilowane	AB4201
Wtyczka do mulczowania	AMP4200

Zestaw pojemnika na trawę	ABK4200-A
Zderzak tylny	AMB1000
Skrzynia ładunkowa	AMG1000
Oslona przeciwsłoneczna	AMS1000

## OPIS

### ZAPOZNANIE Z KOSIARKĄ (Rys. A1)

1. Fotel
2. Port ładowania
3. Jednostka zasilająca
4. Tylnie światło LED
5. Schowek
6. Światło boczne LED
7. Koło tylne (koło napędowe)
8. Port do mycia
9. Pomost
10. Oslona pomostu
11. Koło zapobiegające zdzieraniu darni (anti-scalp)
12. Koło przednie
13. Pedał hamulca postojowego
14. Światła dzienne robocze
15. Reflektory LED
16. Pedał gazu
17. Podnózek
18. Boczna rynna wyrzutowa
19. Dźwignia regulacji wysokości pomostu
20. Pokrętło regulacji amortyzacji fotela
21. Kierownica
22. Prawa skrzynka boczna
23. Dźwignia regulacji położenia fotela
24. Przełącznik WOM
25. Przycisk włączanie/wyłączanie
26. Kluczyk zabezpieczający
27. Schowek na telefon
28. Uchwyty na kubki
29. Lewa łopatką

30. Kontrolka stanu kosiarki
31. Ekran LCD
32. Prawa łopatką
33. Przycisk regulacji prędkości ostrza
34. Przycisk CCS
35. Przycisk trybu jazdy
36. Przełącznik lampki LED
37. Przycisk regulacji prędkości jazdy
38. Przycisk zwalniania pokrywy jednostki zasilającej
39. Pokrywa jednostki zasilającej
40. Jednostka zasilająca z sześcioma komorami akumulatora
41. Przycisk odblokowujący akumulator
42. Zaczep
43. Przykrywka montująca końcówki
44. Port USB

PL

## ZAPOZNANIE Z EKRANEM LCD (Rys. A2)

Aby uzyskać więcej informacji o ikonach i oznaczeniach na wyświetlaczu LCD, należy zapoznać się z częścią „**SYGNALIZACJA STANU KOSIARKI I KODY BŁĘDÓW**”.

1. Ikona biegu wstecznego
2. Ikona CCS
3. Ikona kluczyka zabezpieczającego
4. Ikona podświetlenia LED
5. Ikona automatycznego parkowania
6. Ikona USB
7. Kontrolka prędkości ostrza
8. Kontrolka stanu urządzenia zabezpieczającego
9. Licznik godzinowy
10. Ikona pustej komory akumulatora
11. Ikona temperatury
12. Ikona zajętej komory akumulatora
13. Tryb jazdy
14. Wskaźnik kodu błędu
15. Kontrolka przeciążenia
16. Wskaźnik niskiego poziomu zasilania

17. Paliwomierz
18. Wskaźnik obciążenia
19. Kontrolka prędkości jazdy

## ROZPAKOWANIE

**INFORMACJA:** Przed dokładnym skontrolowaniem i poprawnym użyciem urządzenia nie należy wyrzucać opakowania. W przypadku awarii jakiegokolwiek części z listy części zainstalowanej na urządzeniu należy skontaktować się z punktem serwisowym EGO.

**INFORMACJA:** Za wyjątkiem narzędzi z poniższej listy części wszystkie pozostałe narzędzia wymienione w instrukcji są zalecane ale nie załączone.

**INFORMACJA:** Zanim kierownica nie zostanie właściwie zamontowana nie należy usuwać bloku z pianki znajdującego się pod kierownicą. Drgania podczas koszenia mogą spowodować uszkodzenie kierownicy.

### LISTA OPAKOWANIA (RYS. B)

B-1	Kosiarka-tractorek o zerowym promieniu skrętu	B-2	Fotel
B-3	Wtyczka do mulczowania	B-4	Wkręty z łbem sześciokątnym (2 zapasowe)
B-5	Klucz imbusowy	B-6	Klucz nasadowy
B-7	Klucz płaski	B-8	Kluczyki zabezpieczające
B-9	Szybkozłącze portu do mycia	B-10	Instrukcje obsługi

## MONTAŻ

### INSTALACJA FOTEŁA (Rys. C1 – C4)

**⚠ OSTRZEŻENIE:** System blokady bezpieczeństwa nie może być odłączony ani pominięty. W przeciwnym razie kosiarka nie będzie działać poprawnie i może spowodować urazy użytkownika.

**INFORMACJA:** Dla bezpieczeństwa użytkownika kosiarka może zatrzymać jazdę, gdy przełącznik fotela rozłączy się podczas jazdy. W takim przypadku należy zapoznać się z działem „**ROZWIĄZYWANIE PROBLEMÓW**”, by uzyskać więcej informacji.

C1-1	Gniazdo wtykowe	C1-2	Wtyczka
C1-3	Kabel	C2-1	Ramię fotela
C2-2	Podstawa podwieszenia	C2-3	Klucz imbusowy
C2-4	Wkręty z łbem o sześciokątnym gnieździe	C2-5	Dźwignia regulacji położenia fotela
C3-1	Szyny stalowe	C3-2	Klucz imbusowy
C3-3	Wkręty z łbem o sześciokątnym gnieździe	C4-1	Zaczep

#### INSTALACJA KIEROWNICY (Rys. C5 – C6)

C5-1	Śruba zabezpieczająca	C5-2	Pręt
C6-1	Blok zaciskowy	C6-2	Szczelina
C6-3	Oslona kierownicy		

#### MOCOWANE WTYCZKI DO MULCZOWANIA (Rys. C7)

C7-1	Boczna rynna wyrzutowa	C7-2	Wtyczka do mulczowania
C7-3	Ruchoma sprężyna		

## REGULACJA

#### PRZED REGULACJĄ (Rys. D1)

#### REGULACJA WYSOKOŚCI POMOSTU DO KOSZENIA (Rys. D2)

#### REGULACJA KÓŁ ZAPOBIEGAJĄCYCH ZDZIERANIU DARNI (Rys. D3 – D6)

D3-1	Koło zapobiegające zdzieraniu darni (anti-scalp)	D5-1	Nakrętka
D5-2	Śruba mocująca	D6-1	Etykieta wysokości pomostu

#### REGULACJA FOTEŁA (Rys. D7)

D7-1	Dźwignia regulacji położenia fotela	D7-2	Pokrętło regulacji podwozia fotela
------	-------------------------------------	------	------------------------------------

#### REGULACJA KIEROWNICY (Rys. D8)

D8-1	Śruba zabezpieczająca	D8-2	Pręt
D8-3	Blok zaciskowy	D8-4	Szczelina

## UŻYTKOWANIE

PL

#### PRZED ROZPOCZĘCIEM PRACY (Rys. E1)

#### USTAWIANIE HAMULCA POSTOJOWEGO (Rys. E2)

E2-1	Pozycja spuszczenia hamulca	E2-2	Pozycja hamowania
------	-----------------------------	------	-------------------

**INFORMACJA:** Nigdy nie należy wciskać pedału hamulca postojowego w celu zmniejszenia prędkości. Jeśli pedał hamulca postojowego zostanie wystarczająco mocno wciśnięty, ale jednak nie do pełnej pozycji parkowania, na płaskiej powierzchni kosiarka przestanie się poruszać, natomiast na zboczu może się z niego zsunąć.

#### WKŁADANIE/WYJMOWANIE AKUMULATORA (Rys. E3 – E6)

Do uruchomienia kosiarki potrzebne są akumulatory EGO o łącznej pojemności 15 Ah (2 X BA4200/BA4200T) lub większej. Aby uzyskać najlepsze wyniki, zalecamy używanie akumulatorów EGO o łącznej pojemności 30Ah lub więcej.



E3-1	Przycisk odblokowujący pokrywę	E5-1	Przycisk odblokowujący akumulator
------	--------------------------------	------	-----------------------------------

## LADOWANIE KOSIARKI

Do urządzenia należy używać wyłącznie zalecanych ładowarek i akumulatorów.

- Akumulator(y) należy ładować oddzielnie (Rys. E7)

**INFORMACJA:** Szczegółowe instrukcje podane są w odpowiednich instrukcjach obsługi akumulatora i ładowarki.

- Akumulator(y) należy ładować przez port ładowania (Rys. E8-E10)

E10-1	Ośłona przeciwpyłowa	E10-2	Port ładowania
-------	----------------------	-------	----------------

PL

## TESTOWANIE SYSTEMU BLOKADY BEZPIECZEŃSTWA

- Testowanie systemu pomostu z ostrzami (Rys. E11 – E12)
- Aby przetestować układ napędowy (rys. E13 – E14)

Jeśli system pomostu z ostrzami i/lub układ napędowy nie zatrzymują się, gdy operator podnosi się z fotela i jeśli nie znaleziono przyczyny po upewnieniu się, że wtyczka i gniazdko są poprawnie połączone, należy natychmiast skontaktować się z punktem serwisowym EGO.

## LISTA KONTROLNA PRZED ROZPOCZĘCIEM PRACY

- Upewnić się, że na terenie pracy nie ma dzieci, osób postronnych oraz zwierząt.
- Usunąć ze strefy pracy przedmioty, które mogłyby zostać wyrzucone w powietrze przez ostrza kosiarki.
- Oczyszczyć kosiarkę z zanieczyszczeń.
- Sprawdzić, czy nie ma luźnych elementów mocujących.
- Sprawdzić, czy wszystkie osłony są na miejscu i działają prawidłowo.
- Sprawdzić wzrokowo, czy opony są napompowane.
- Sprawdzić działanie hamulców.

- Wyregulować wysokość pomostu na żądaną pozycję koszenia optymalną dla koszonego trawnika i odpowiednio wyregulować kółka zapobiegające zdzieraniu darni.
- Wyregulować położenie fotela i upewnić się, że użytkownik dosięga obu pedałów.
- W razie potrzeby wyregulować kierownicę odpowiednio do potrzeb.
- Sprawdzić poziom naładowania akumulatora.
- Sprawdzić system blokady bezpieczeństwa.

## URUCHAMIANIE KOSIARKI

### (Rys. E15 – Rys. E16)

**⚠ OSTRZEŻENIE:** Należy unikać gwałtownego uruchamiania lub zatrzymywania, gwałtownych skrętów, oraz nadmiernej prędkości, zwłaszcza, gdy kosiarka jest używana po raz pierwszy. Kosiarka może prędko się obracać, co może spowodować utratę kontroli przez operatora i spowodować poważne urazy i/lub uszkodzenia.

**⚠ OSTRZEŻENIE:** Przed włączeniem kosiarki, po wciśnięciu przełącznika PTO należy w ciągu 5 sekund upewnić się, że ostrza są odsprężlone. Jeśli ostrza się nie zatrzymują, kosiarki nie wolno używać; należy się wtedy natychmiast skontaktować z punktem serwisowym EGO.

**INFORMACJA:** Do momentu aż użytkownik będzie w stanie w pełni obsługiwać kosiarkę we wszystkich sytuacjach należy korzystać z Rys. E17 i Rys. E18, aby ustawić minimalną prędkość jazdy i STANDARDOWY tryb jazdy.

Kosiarka zapisuje ostatni tryb jazdy, prędkość jazdy i kalibrację kierownicy; po ponownym uruchomieniu zostają one przywrócone.

### REGULACJA TRYBU JAZDY (Rys. E17)

- **KONTROLA:** Małe przyspieszenie, mniej delikatne manipulowanie i łagodna prędkość skrętu, by chronić trawę i dla nowych użytkowników.
- **STANDARD:** Idealne do stosowanie na co dzień.
- **SPORT:** Większe przyspieszenie, dokładne manipulowanie i ostre skręty, by zwiększyć skuteczność koszenia i dla entuzjastów koszenia.



**UWAGA:** Trybu jazdy nie można regulować w czasie jazdy. Funkcja staje się aktywna dopiero po zatrzymaniu się kół kosiarki.

### Regulacja prędkości jazdy (Rys. E18)

**UWAGA:** W trybie „TURBO”, należy nacisnąć przycisk „-”, prędkość jazdy powróci do poprzedniego trybu.

### Regulacja prędkości ostrza (Rys. E19)

#### Światła LED

- Reflektory, światła pozycyjne i światła tylne są kontrolowane przełącznikiem oświetlenia LED.
- Światła pozycyjne zawsze są włączone podczas jazdy.
- Przy cofaniu jeśli tylne światła są wyłączone, zaczną one migać, by ostrzec przechodniów; jeśli tylne światła są włączone, będą świecić się nadal.
- Gdy po pewnym czasie niewykonywania żadnej pracy kosiarka wyłączy się automatycznie, wszystkie kontrolki automatycznie zgasną.

#### Port USB

**INFORMACJA:** Port USB umożliwia ładowanie prądem 5 V DC i dopuszcza pobór prądu do 1,5 A. Port jest zasilany tylko wtedy, gdy kosiarka jest włączona.

### ZATRZYMYWANIE KOSIARKI (Rys. E20)

**INFORMACJA:** Po ponad 60 minutach braku działania, kosiarka wyłączy się automatycznie.

#### Tryb awaryjny

Gdy poziom naładowania akumulatora jest krytycznie niski, kosiarka przechodzi w tryb awaryjny, który ma na celu zapewnić wystarczającą ilość energii na dojechanie z powrotem do miejsca ładowania.

- Ostrza przełączają się na niską prędkość obrotową, która umożliwia koszenie tylko niewielkiej ilości trawy. Po napotkaniu wysokiej i gęstej trawy ostrza przestaną się obracać. Wskaźnik audio będzie emitował sygnał przerywany (bip).
- Wskaźnik stanu kosiarki będzie migał na czerwono co sekundę, przy czym migać będą zarówno wskaźnik niskiego poziomu zasilania jak i symbol akumulatora na wskaźniku paliwa.

Użytkownik powinien:

- Przesłać przełącznik WOM w dół, aby wyłączyć silniki ostrzy. Po zatrzymaniu silników ostrzy wskaźnik dźwiękowy przestanie emitować sygnał dźwiękowy.
- Przerwać pracę i jak najszybciej dojechać do miejsca ładowania. Maksymalna odległość, jaką kosiarka może przejechać wynosi 1000 m.

Gdy akumulator jest bliski rozładowania, ikona każdej zajętej komory akumulatora i kontrolka niskiego zasilania będą migać co pół sekundy. Kosiarka natychmiast przestanie działać. Operator będzie musiał przetransportować kosiarkę w miejsce ładowania, aby ją naładować.

**INFORMACJA:** Jeśli kosiarkę trzeba będzie ręcznie popchnąć, należy się upewnić, że akumulator jest odłączony od instalacji kosiarki i że pedał hamulca postojowego jest spuszczonej z pozycji postojowej.

### JAZDA KOSIARKĄ (Rys. E21)

**⚠ NIEBEZPIECZEŃSTWO:** Wymagana odległość od nasypów, kanałów lub zbiorników wodnych, którą należy utrzymywać wynosi co najmniej dwie szerokości koszenia. Przednie koła mogą obracać się, gdy kosiarka jest zatrzymana, nawet jeśli hamulec jest zaciągnięty, i spowodować przesunięcie kosiarki do krawędzi lub do wody oraz spowodować śmierć lub poważne urazy osób.

**⚠ OSTRZEŻENIE:** Zanim ruszy się kosiarką w tył, należy zawsze sprawdzić co znajduje się z tyłu. O ile nie jest to absolutnie konieczne, nie należy kosić podczas jazdy wstecz. Zawsze spójrz w kół i do tyłu przed cofaniem i podczas cofania, by upewnić się, że na obszarze koszenia nie ma dzieci, osób postronnych ani zwierząt domowych. Należy pamiętać, że do spowodowania śmierci lub poważnych obrażeń wystarczy zaledwie chwila nieuwagi.

**⚠ OSTRZEŻENIE:** Maszyny nie należy używać na drogach publicznych.

**⚠ OSTRZEŻENIE:** W przypadku uderzenia w jakiś przedmiot lub jeśli kosiarka się zablokuje, należy zatrzymać silniki i wyjąć akumulatory. Należy usunąć ścinki trawy, liście, brud i inne zebrane odpady; dokładnie

sprawdzić, czy kosiarka nie jest uszkodzona i naprawić uszkodzenia przed ponownym uruchomieniem i użyciem kosiarki.

## KORZYSTANIE Z TEMPOMATU (CCS)

### Włączanie systemu CCS podczas jazdy (Rys. E22)

**UWAGA:** Poziom prędkości jazdy pokazywany na ekranie LCD może nie odzwierciedlać dokładnie rzeczywistej prędkości jazdy kosiarki poruszającej się w trybie tempomatu. Aby „odświeżyć” i dostosować poziom prędkości jazdy na ekranie LCD, należy nacisnąć jeden z przycisków regulacji prędkości („←” lub „→”).

**Aby wyjść z systemu CCS i zatrzymać kosiarkę,** można wybrać jeden z czterech sposobów:

- Lekko wcisnąć pedał gazu, a następnie go puścić.
- Pociągnąć lewą/prawą łopatkę(i) do siebie (w stronę operatora), a następnie puścić.
- Wycisnąć pedał hamulca postojowego.
- Nacisnąć przycisk CCS.

**UWAGA:** Wcisnąć pedał gazu do końca, aby osiągnąć aktualną prędkość jazdy w trybie CCS i kontynuować wciskanie. Funkcja CCS zostanie wyłączona, a kosiarka będzie kontynuować jazdę z aktualną prędkością.

## KONSERWACJA

**⚠ OSTRZEŻENIE:** Należy zawsze nosić okulary ochronne z osłonami bocznymi. Nieprzestrzeganie tego zalecenia może doprowadzić do poważnych obrażeń oczu odłamkiem lub skrawkiem materiału wyrzuconym przez narzędzie.

**⚠ OSTRZEŻENIE:** Podczas czynności konserwacyjnych przy ostrzu kosiarki należy zawsze chronić ręce przez noszenie solidnych rękawic lub owinięcie krawędzi ostrza szmatami lub innymi materiałami. Na czas wykonywania czynności serwisowych oraz transportowania kosiarki należy zawsze wyjmować kluczyk zabezpieczający i akumulator.

Harmonogram działań serwisowych	Procedura konserwacji
Przed każdym użyciem lub codziennie	<ul style="list-style-type: none"> <li>▪ Sprawdź system blokady bezpieczeństwa.</li> <li>▪ Sprawdzić wzrokowo, czy opony są napompowane.</li> <li>▪ Sprawdzić ostrza.</li> <li>▪ Przed każdym użyciem należy skontrolować cały produkt pod kątem uszkodzonych, brakujących lub obluzowanych części takich jak boczna rynna wyrzutowa, śruby, wkręty, nakrętki, nasadki itp. oraz sprawdzić, czy wszystkie osłony są zainstalowane i działają właściwie.</li> <li>▪ Sprawdzić i upewnić się, że pedał gazu daje się prawidłowo wcisnąć i zwolnić.</li> <li>▪ Sprawdzić tłumik kierownicy. Kierownica powinna się obracać z pewnym oporem.</li> </ul>
Po każdym użyciu	<ul style="list-style-type: none"> <li>▪ Wyczyścić pomost kosiarki.</li> </ul>
Co 25 godzin	<ul style="list-style-type: none"> <li>▪ Sprawdzić ciśnienie opon.</li> </ul>
Co 100 godzin	<ul style="list-style-type: none"> <li>▪ Sprawdzić tylne koła, aby upewnić się, że wszystkie nakrętki mocujące są dokręcone zalecanym momentem.</li> </ul>
Co 200 godzin	<ul style="list-style-type: none"> <li>▪ Sprawdzić, czy przednie koła obracają się swobodnie.</li> </ul>

Przed składowaniem	<ul style="list-style-type: none"> <li>Wyjąć z kosiarki akumulator.</li> <li>Wyjąć z kosiarki kluczyk zabezpieczający.</li> <li>Wykonać wszystkie procedury konserwacyjne wymienione powyżej i dokładnie wyczyścić kosiarkę.</li> <li>Sprawdzić cały produkt pod kątem uszkodzonych, brakujących lub luźnych części, przed schowaniem narzędzia wymienić je lub dokręcić.</li> </ul>
Rocznie	<ul style="list-style-type: none"> <li>Sprawdzić pedał hamulca postojowego. Wyjąć z kosiarki akumulator i ustawić hamulec postojowy w pozycji hamowania. Ręcznie popchnąć kosiarkę do przodu, aby zobaczyć, czy da się ją przesunąć, czy nie. Jeśli się porusza, oddać ją do serwisu wykwalifikowanemu serwisantowi.</li> </ul>

## KONSERWACJA OGÓLNA

### Czyszczenie obudowy kosiarki (Rys. F1 – F2)

### Czyszczenie pomostu kosiarki przez port do mycia (Rys. F3 – F4)

F2-1	Port do mycia	F2-2	Szybkozłącze portu do mycia
F2-3	Wąż ogrodowy		

**INFORMACJA:** Po zakończeniu czyszczenia należy całkowicie wyłączyć kosiarkę, a następnie odłączyć wąż ogrodowy i szybkozłącze.

## KONSERWACJA POMOSTU KOSIARKI I OSTRZY TNĄCYCH

### PRZYGOTOWANIE (Rys. G1)

### Zdejmowanie pomostu kosiarki (Rys. G2 – G3)

G2-1	Kabel silnika	G2-2	Wyciek z podwozia
G2-3	Zawleczka		

**INFORMACJA:** Na czas wyjmowania pomostu kosiarki należy odłączyć wszystkie kable silnika i wyjąć wszystkie zawleczki.

### Wymiana ostrzy tnących (Rys. G4 – G6)

G4-1	Stabilizator	G5-1	Śruba
G5-2	Podkładka	G5-3	Ostrze
G5-4	Kołnierz	G5-5	Wałek silnika

### Poziomowanie pomostu kosiarki

#### a. Kiedy poziomować (Rys. G7 – G9)

#### b. Przed poziomowaniem

- Kontrola ciśnienia w zimnej oponie (Rys. G10)
- Sprawdzić ostrza tnące. Jeśli jest to konieczne, wyjąć i wymienić zużyte, pęknięte i/lub wygięte ostrza.

#### c. Przygotowanie do poziomowania (Rys. G11)

#### d. Poziomowanie

- Wykonanie regulacji bok do boku (Rys. G12)
- Wykonanie regulacji przód-tył (Rys. G13)

PL

## KALIBRACJA SYSTEMU ŚLEDZENIA KOSIARKI (Rys. H1 – H2)

**INFORMACJA:** Kontrolka sygnału dźwiękowego wyda jeden sygnał zarówno przy rozpoczęciu kalibracji jak i na jej zakończenie.

**UWAGA:** Kalibracja przeprowadzona dla jednego z trybów jazdy („CONTROL”, „STANDARD”, „SPORT”) może nie być dostępna dla pozostałych dwóch trybów. W razie potrzeby kierownicę należy skalibrować w każdym trybie jazdy niezależnie.

## RESETOWANIE KOSIARKI DO POCZĄTKOWYCH USTAWIEŃ FABRYCZNYCH (Rys. I)

**INFORMACJA:** Kontrolka sygnału dźwiękowego wyda jeden sygnał zarówno przy rozpoczęciu resetowania jak i na jego zakończenie.

**UWAGA:** Jeśli resetowanie powiedzie się, poniższe ustawienia powrócą do początkowych ustawień fabrycznych:

- tryb jazdy
- prędkość jazdy
- kalibracja kierownicy

## PRZECHOWYWANIE I TRANSPORT

### TRANSPORT KOSIARKI (Rys. J1 – J5)

**INFORMACJA:** Aby uniknąć przesuwania się podczas transportu, kosiarkę należy zamocować odpowiednio do potrzeb za pomocą pasów lub kabli.

### PRZECHOWYWANIE (Rys. K1 – K2)

PL

**INFORMACJA:** Wyjąć akumulatory i schować je zgodnie z zaleceniami w instrukcjach obsługi.

Wyczyścić i skontrolować kosiarkę przed schowaniem zgodnie z instrukcjami podanymi w częściach „**CZYSZCZENIE KOSIARKI**” i „**ZAŁECANY HARMONOGRAM KONSERWACJI**”.

#### Ochrona środowiska



WEEE (Zużyty sprzęt elektryczny i elektroniczny) Urządzeń elektrycznych, zużytych akumulatorów i ładowarki nie należy wyrzucać do zwykłych zmieszanych śmieci domowych! Produkt należy oddać do zbiórki selektywnej w autoryzowanym punkcie recyklingu. Elektronarzędzia należy oddawać do przyjaznego dla środowiska zakładu recyklingu.


## ROZWIĄZYWANIE PROBLEMÓW

PROBLEM	PRZYCZYNA	ROZWIĄZANIE
Po wciśnięciu pedału gazu kosiarka-traktorek o zerowym promieniu skrętu nie jedzie.	<ul style="list-style-type: none"> <li>Łączna pojemność włożonych akumulatorów jest mniejsza niż wymagana.</li> </ul>	<ul style="list-style-type: none"> <li>Aby włączyć kosiarkę, należy użyć wystarczającej ilości akumulatorów EGO zgodnie z zaleceniami podanymi w części „<b>WKŁADANIE/ODŁĄCZANIE AKUMULATORA</b>” niniejszej instrukcji.</li> </ul>
	<ul style="list-style-type: none"> <li>Pedał hamulca postojowego jest ustawiony w pozycji hamowania.</li> </ul>	<ul style="list-style-type: none"> <li>Całkowicie obniżyć pedał hamowania, by zwolnić go z pozycji hamowania.</li> </ul>
	<ul style="list-style-type: none"> <li>Lewa i prawa łopatka nie zostały na krótko pociągnięte w stronę operatora, a wskaźnik stanu kosiarki nie świeci na zielono podczas uruchamiania kosiarki.</li> </ul>	<ul style="list-style-type: none"> <li>Jednocześnie pociągnąć obie łopatki (lewą i prawą) w stronę operatora, a następnie puścić. Wskaźnik stanu kosiarki będzie świecił na zielono, co oznacza, że kosiarka jest gotowa do uruchomienia.</li> </ul>
	<ul style="list-style-type: none"> <li>Operator nie siedzi na fotelu.</li> </ul>	<ul style="list-style-type: none"> <li>Operator może obsługiwać kosiarkę tylko wtedy, gdy poprawnie siedzi na fotelu.</li> </ul>
	<ul style="list-style-type: none"> <li>Przełącznik fotela nie jest poprawnie podłączony.</li> </ul>	<ul style="list-style-type: none"> <li>Aby upewnić się, że wtyczka kabla jest dobrze podłączona do gniazda znajdującego się od spodu fotela, należy wyjąć akumulator z kosiarki i zdemontować fotel w kolejności odwrotnej niż podano w części „<b>INSTALOWANIE FOTEŁA</b>” w niniejszej instrukcji. Aby włączyć kosiarkę i sprawdzić, czy da się ją uruchomić, należy zamontować fotel i postępować zgodnie z instrukcjami podanymi w części „<b>WŁĄCZANIE KOSIARKI</b>”. Jeśli nie, prosimy wówczas skontaktować się z wykwalifikowanym technikiem serwisu w celu naprawy.</li> </ul>
	<ul style="list-style-type: none"> <li>Przy bardzo niskich temperaturach funkcja jazdy może nie włączać się poprawnie ze względu na zabezpieczenie przed niskimi temperaturami.</li> </ul>	<ul style="list-style-type: none"> <li>Kosiarkę i akumulator należy zawsze przechowywać w ciepłym miejscu. Ponownie uruchomić kosiarkę, gdy będzie rozgrzana. Nie należy wykonywać powtarzających się prób w bardzo niskich temperaturach, gdyż może to doprowadzić do uszkodzenia urządzenia.</li> </ul>
	<ul style="list-style-type: none"> <li>Droga przemieszczania się pedału gazu jest zapchana śmieciami.</li> </ul>	<ul style="list-style-type: none"> <li>Sprawdzić i usunąć zanieczyszczenia.</li> </ul>
	<ul style="list-style-type: none"> <li>Uszkodzenie mechanicznych lub elektronicznych podzespołów pedału gazu.</li> </ul>	<ul style="list-style-type: none"> <li>Skontaktować się z wykwalifikowanym technikiem serwisu w celu naprawy.</li> </ul>

PL

PROBLEM	PRZYCZYNA	ROZWIĄZANIE
Kosiarka-tractorek o zerowym promieniu skrętu zatrzymuje się podczas jazdy.	<ul style="list-style-type: none"> <li>▪ Lewa / Prawa łopatką wymaga „zresetowania”.</li> </ul>	<ul style="list-style-type: none"> <li>▪ Pociągnąć lewą/prawą łopatkę w stronę operatora i zwolnić je. Jeśli kontrolka stanu świeci na zielono, kosiarka jest gotowa do jazdy.</li> </ul>
	<ul style="list-style-type: none"> <li>▪ Awaria podzespołów elektronicznych pedału gazu.</li> </ul>	<ul style="list-style-type: none"> <li>▪ Skontaktować się z wykwalifikowanym technikiem serwisu w celu naprawy.</li> </ul>
	<ul style="list-style-type: none"> <li>▪ Podczas jazdy w trudnym terenie rozłączył się system blokady bezpieczeństwa fotela.</li> </ul>	<ul style="list-style-type: none"> <li>▪ Aby upewnić się, że wtyczka kabla jest dobrze podłączona do gniazda znajdującego się od spodu fotela, należy wyjąć akumulator z kosiarki i zdemontować fotel w kolejności odwrotnej niż podano w części „<b>INSTALOWANIE FOTEŁA</b>” w niniejszej instrukcji. Aby włączyć kosiarkę i sprawdzić, czy da się ją uruchomić, należy zamontować fotel i postępować zgodnie z instrukcjami podanymi w części „<b>WŁĄCZANIE KOSIARKI</b>”. Jeśli nie, prosimy wówczas skontaktować się z wykwalifikowanym technikiem serwisu w celu naprawy.</li> </ul>
	<ul style="list-style-type: none"> <li>▪ Ciężar operatora nie jest równomiernie rozłożony na fotelu. Aby system blokady bezpieczeństwa fotela działał właściwie, ciężar operatora na fotelu musi wynosić co najmniej 20 kg.</li> </ul>	<ul style="list-style-type: none"> <li>▪ Usiąść prawidłowo na fotelu, pociągnąć lewą/ prawą lub obie łopatki w stronę operatora i puścić; kosiarka będzie wtedy gotowa do jazdy.</li> </ul>
	<ul style="list-style-type: none"> <li>▪ Wciśnięcie pedału hamulca postojowego w celu zmniejszenia prędkości jazdy. Gdy pedał hamulca postojowego zostanie wystarczająco głęboko wciśnięty, ale nie do pozycji parkowania, kosiarka zatrzyma się.</li> </ul>	<ul style="list-style-type: none"> <li>▪ W razie potrzeby odłączyć i ponownie założyć akumulator.</li> </ul>
Trybu jazdy nie można regulować w czasie jazdy.	<ul style="list-style-type: none"> <li>▪ Jest to funkcja kosiarki-tractorka o zerowym promieniu skrętu zwiększająca bezpieczeństwo jazdy.</li> </ul>	<ul style="list-style-type: none"> <li>▪ Funkcja staje się aktywna dopiero po zatrzymaniu się kół kosiarki.</li> </ul>



PROBLEM	PRZYCZYNA	ROZWIĄZANIE
<p>Kosiarka-tractorek o zerowym promieniu skrętu nie włącza ostrzy, gdy włączony jest przełącznik WOM.</p>  Miga ikona przełącznika WOM	<ul style="list-style-type: none"> <li>Łączna pojemność włożonych akumulatorów jest mniejsza niż wymagana.</li> </ul>	<ul style="list-style-type: none"> <li>Aby włączyć kosiarkę, należy użyć wystarczającej ilości akumulatorów EGO zgodnie z zaleceniami podanymi w części „WKŁADANIE/ODŁĄCZANIE AKUMULATORA” niniejszej instrukcji.</li> </ul>
	<ul style="list-style-type: none"> <li>Przy ostatnim wyłączeniu kosiarki przełącznik WOM nie został wciśnięty.</li> </ul>	<ul style="list-style-type: none"> <li>Popchnąć przełącznik WOM w dół, a następnie w górę, aby ponownie włączyć silniki ostrzy.</li> </ul>
	<ul style="list-style-type: none"> <li>W chwili, gdy ostrza zaczynają się obracać kosiarka jest przeciążona, co uruchamia system zabezpieczenia silnika.</li> </ul>	<ul style="list-style-type: none"> <li>Najpierw włączyć koszenie trawy z małą prędkością ostrzy; nie przyspieszać dopóki ostrza nie osiągną poprawnych obrotów.</li> </ul>
	<ul style="list-style-type: none"> <li>Przy bardzo niskich temperaturach silnik ostrza może nie włączać się poprawnie ze względu na zabezpieczenie przed niskimi temperaturami.</li> </ul>	<ul style="list-style-type: none"> <li>Kosiarkę i akumulator należy zawsze przechowywać w ciepłym miejscu. Ponownie uruchomić kosiarkę, gdy będzie rozgrzana. Nie należy wykonywać powtarzających się prób w bardzo niskich temperaturach, gdyż może to doprowadzić do uszkodzenia urządzenia.</li> </ul>
	<ul style="list-style-type: none"> <li>Ostrze haczy o odkształcony pomost kosiarki.</li> </ul>	<ul style="list-style-type: none"> <li>Skontaktować się z punktem obsługi klienta EGO.</li> </ul>
	<ul style="list-style-type: none"> <li>Kosiarka jedzie z prędkością „TRAVEL”.</li> </ul>	<ul style="list-style-type: none"> <li>Gdy kosiarka jedzie z prędkością „TRAVEL”, silniki ostrzy zatrzymają się automatycznie.</li> </ul>

PROBLEM	PRZYCZYNA	ROZWIĄZANIE
Ostrza zatrzymują się podczas cięcia trawy.	<ul style="list-style-type: none"> <li>▪ Kosiarka jest przeciążona.</li> </ul>	<ul style="list-style-type: none"> <li>▪ Zwiększyć wysokość ustawienia pomostu kosiarki lub zmniejszyć prędkość jazdy, aby zmniejszyć obciążenie kosiarki.</li> </ul>
	<ul style="list-style-type: none"> <li>▪ Pomost kosiarki jest zapchany trawą i zanieczyszczeniami.</li> </ul>	<ul style="list-style-type: none"> <li>▪ Wyczyścić pomost kosiarki i upewnić się, że ostrza mogą się swobodnie obracać.</li> </ul>
	<ul style="list-style-type: none"> <li>▪ Kosiarka jest przegrzana.</li> </ul>	<ul style="list-style-type: none"> <li>▪ Zmniejszyć obciążenie kosiarki przez zwiększenie wysokości ustawienia pomostu kosiarki lub zmniejszenie prędkości ostrza/jazdy i odczekać, aż kosiarka ostygnie.</li> </ul>
	<ul style="list-style-type: none"> <li>▪ Akumulatory w komorze akumulatorów kosiarki są przegrzane, co powoduje, że łączna pojemność wszystkich włożonych akumulatorów jest mniejsza niż wymagana.</li> </ul>	<p>1. Jeśli łączna pojemność akumulatorów, z wyłączeniem przegrzanego akumulatora, będzie wystarczająca, kosiarka może pracować dalej. Gdy rozgrzany akumulator powróci do normalnej temperatury, będzie zasiliał natychmiast kosiarki.</p>
		<p>2. Jeśli łączna pojemność akumulatorów będzie mniejsza niż wymagana, kosiarka nie będzie działać dopóki do wolnych komór akumulatorów nie zostaną włożone dodatkowe akumulatory.</p>
		<p>3. Zmniejszyć obciążenie kosiarki przez zwiększenie wysokości ustawienia pomostu kosiarki lub zmniejszenie prędkości koszenia po wznowieniu pracy.</p>
	<ul style="list-style-type: none"> <li>▪ Kosiarka znajduje się w trybie awaryjnym.</li> </ul>	<ul style="list-style-type: none"> <li>▪ Gdy kosiarka znajduje się w trybie awaryjnym, kręcenie się ostrzy zostaje automatycznie przełączone na małą prędkość obrotową. Operator powinien zaprzestać pracy i jak najszybciej dojechać w miejsce ładowania akumulatora.</li> </ul>
	<ul style="list-style-type: none"> <li>▪ Kosiarka została uderzona twardym przedmiotem, co spowodowało automatyczne zadziałanie zabezpieczenia silnika.</li> </ul>	<ul style="list-style-type: none"> <li>▪ Popchnąć przełącznik WOM w dół, a następnie w górę, aby ponownie włączyć silniki ostrzy.</li> </ul>
<ul style="list-style-type: none"> <li>▪ Prędkość kosiarki jest ustawiona na tryb „TRAVEL”.</li> </ul>	<ul style="list-style-type: none"> <li>▪ Gdy prędkość kosiarki jest ustawiona na tryb „TRAVEL”, silniki ostrzy automatycznie się zatrzymają.</li> </ul>	



PROBLEM	PRZYCZYNA	ROZWIĄZANIE
Wskaźnik dźwiękowy kontynuuje wydawanie sygnałów.	<ul style="list-style-type: none"> <li>▪ Kosiarka znajduje się w trybie awaryjnym i ostrza nie są wyłączone.</li> </ul>	<ul style="list-style-type: none"> <li>▪ Popchnąć przełącznik WOM w dół, aby wyłączyć silniki ostrzy. Po wyłączeniu silników ostrzy wskaźnik dźwiękowy przestanie emitować sygnał dźwiękowy.</li> </ul>
	<ul style="list-style-type: none"> <li>▪ Kosiarka zatrzymała się na pochyłości, a operator zszedł z fotela bez wcześniejszego ustawienia pedału hamulca postojowego w pozycji hamowania.</li> </ul>	<ul style="list-style-type: none"> <li>▪ Przed pozostawieniem kosiarki na pochyłości pedał hamulca postojowego należy ustawić w pozycji hamowania.</li> </ul>
Kontrolki akumulatora są wciąż włączone, gdy kosiarka jest wyłączona.	<ul style="list-style-type: none"> <li>▪ Gdy kosiarka zostanie wyłączona bez wyjmowania akumulatora, kontrolki akumulatora, przycisk włączania/wyłączania i przycisk CCS pozostaną przez pewien czas podświetlone.</li> </ul>	<ul style="list-style-type: none"> <li>▪ Nie jest potrzebne żadne działanie. Gdy po pewnym czasie kosiarka wyłączy się, wskaźniki akumulatora zgasną. Informacje na temat dokładnych czasów podane są w części „<b>ZATRZYMYWANIE KOSIARKI</b>”.</li> </ul>
	<ul style="list-style-type: none"> <li>▪ Gdy kosiarka zostanie wyłączona na pochyłości bez ustawienia pedału hamulca postojowego w pozycji hamowania, kontrolki akumulatora będą włączone aż do całkowitego rozładowania się akumulatora. Jednocześnie wskaźnik dźwiękowy będzie generował sygnał dźwiękowy.</li> </ul>	<ul style="list-style-type: none"> <li>▪ Przed pozostawieniem kosiarki na pochyłości pedał hamulca postojowego należy ustawić w pozycji hamowania.</li> </ul>
Ekran LCF nie zaświeca się, gdy wszystkie ikony są włączone.	<ul style="list-style-type: none"> <li>▪ Przycisk Start/stop został wciśnięty na wystarczająco długi czas.</li> </ul>	<ul style="list-style-type: none"> <li>▪ Gdy przycisk start/stop zostanie na krótko wciśnięty, na ekranie LCD zostanie wyświetlony „paliwomierz”.</li> </ul>
		<ul style="list-style-type: none"> <li>▪ Ekran LCD włączy się po wciśnięciu i odpowiednio długim przytrzymaniu przycisku start/stop.</li> </ul>
Kosiarka kosi nierówno, ze znaczącą różnicą wysokości od przodu do tyłu.	<ul style="list-style-type: none"> <li>▪ Ostrza są tępe.</li> </ul>	<ul style="list-style-type: none"> <li>▪ Naostrzyć lub wymienić ostrza tnące, zgodnie z instrukcjami.</li> </ul>
	<ul style="list-style-type: none"> <li>▪ Ostrza są wygięte.</li> </ul>	<ul style="list-style-type: none"> <li>▪ Wymienić wygięte ostrze tnące zgodnie z instrukcjami podanymi w części „<b>WYMIANA OSTRZY TNĄCYCH</b>”.</li> </ul>
	<ul style="list-style-type: none"> <li>▪ Pomost kosiarki nie jest wypoziomowany, co powoduje nierówną wysokość koszenia.</li> </ul>	<ul style="list-style-type: none"> <li>▪ Wykonać poziomowanie pomostu kosiarki zgodnie z instrukcjami podanymi w części „<b>POZIOMOWANIE POMOSTU KOSIARKI</b>”.</li> </ul>

PROBLEM	PRZYCZYNA	ROZWIĄZANIE
Aktualna wysokość cięcia trawy nie jest wyrównana z żądaną wysokością.	<ul style="list-style-type: none"> <li>Nakrętki pomostu kosiarki są poluzowane na elementach prowadzących zawieszenia</li> </ul>	<ul style="list-style-type: none"> <li>Aby wykonać poprawną regulację przód/tył pomostu kosiarki i przykręcić nakrętki na elementach prowadzących zawieszenia, należy postępować zgodnie z instrukcjami podanymi w części „<b>POZIOMOWANIE POMOSTU KOSIARKI</b>”.</li> </ul>
	<ul style="list-style-type: none"> <li>Pomost kosiarki jest uszkodzony lub bardzo zużyty.</li> </ul>	<ul style="list-style-type: none"> <li>Aby wymienić pomost, należy postępować zgodnie z instrukcjami podanymi w części „<b>WYJMOWANIE POMOSTU KOSIARKI</b>”.</li> </ul>
Kosiarka niewłaściwie mulczyje.	<ul style="list-style-type: none"> <li>Skoszona mokra trawa przykleja się pod pomostem.</li> </ul>	<ul style="list-style-type: none"> <li>Przed koszeniem odczekać, aż wyschnie trawa.</li> </ul>
	<ul style="list-style-type: none"> <li>Kosiarka jest ustawiona na koszenie zbyt dużej ilości trawy za jednym razem.</li> </ul>	<ul style="list-style-type: none"> <li>Ustawić wyższą wysokość koszenia.</li> </ul>
Nadmierne drgania.	<ul style="list-style-type: none"> <li>Ostrza tnące są poluzowane.</li> </ul>	<ul style="list-style-type: none"> <li>Śrubę ostrza należy dokręcić zalecanym momentem.</li> </ul>
	<ul style="list-style-type: none"> <li>Ostrza są wygięte.</li> </ul>	<ul style="list-style-type: none"> <li>Wymienić wygięte ostrze tnące zgodnie z instrukcjami podanymi w części „<b>WYMIANA OSTRZY TNĄCYCH</b>”.</li> </ul>
	<ul style="list-style-type: none"> <li>Pomost kosiarki nie jest wypoziomowany.</li> </ul>	<ul style="list-style-type: none"> <li>Wykonać poziomowanie pomostu kosiarki zgodnie z instrukcjami podanymi w części „<b>POZIOMOWANIE POMOSTU KOSIARKI</b>”.</li> </ul>
	<ul style="list-style-type: none"> <li>Nakrętki pomostu kosiarki są poluzowane na elementach prowadzących zawieszenia.</li> </ul>	<ul style="list-style-type: none"> <li>Dokręcić nakrętki na elementach prowadzących zawieszenia.</li> </ul>
	<ul style="list-style-type: none"> <li>Kosiarka jest ustawiona na koszenie zbyt dużej ilości trawy za jednym razem.</li> </ul>	<ul style="list-style-type: none"> <li>Ustawić wyższą wysokość koszenia.</li> </ul>
Na podłożu pozostaje trawa lub resztki po wykoszeniu.	<ul style="list-style-type: none"> <li>Kosiarka jest ustawiona na koszenie zbyt dużej ilości trawy za jednym razem, gdy trawa jest wysoka.</li> </ul>	<ul style="list-style-type: none"> <li>Rozpocząć z dużą wysokością koszenia, po czym zmniejszać ją, aż do uzyskania żądanych efektów koszenia. W przypadku trawy o wysokości ponad 152 mm, koszenie należy wykonywać w dwóch etapach, zmniejszając wysokość koszenia.</li> </ul>
	<ul style="list-style-type: none"> <li>Trawa jest mokra.</li> </ul>	<ul style="list-style-type: none"> <li>Nie kosić, gdy trawa jest mokra, odczekać, aż trawa wyschnie.</li> </ul>
	<ul style="list-style-type: none"> <li>Prędkość jazdy jest zbyt duża.</li> </ul>	<ul style="list-style-type: none"> <li>Zmniejszyć prędkość jazdy.</li> </ul>
	<ul style="list-style-type: none"> <li>Prędkość ostrza jest niska.</li> </ul>	<ul style="list-style-type: none"> <li>Stopniowo zwiększyć prędkość ostrzy.</li> </ul>

PL

PROBLEM	PRZYCZYNA	ROZWIĄZANIE
Krótki czas pracy kosiarki na akumulatorze.	<ul style="list-style-type: none"> <li>Ukształtowanie terenu trawnika, stan trawy, ustawienie wysokości koszenia, prędkość jazdy, prędkość obrotowa ostrzy itp. mają wielki wpływ na czas pracy.</li> </ul>	<ul style="list-style-type: none"> <li>Zwiększyć wysokość ustawienia pomostu kosiarki lub zmniejszyć prędkość ostrza, aby zmniejszyć obciążenie.</li> </ul>
Kosiarka nie jedzie prosto.	<ul style="list-style-type: none"> <li>Ciśnienie opon w lewym i prawym kole nie jest jednakowe.</li> </ul>	<ul style="list-style-type: none"> <li>Sprawdzić i wyregulować ciśnienie powietrza w obu oponach kół tylnych, zgodnie z informacjami podanymi w części „SPECYFIKACJA”.</li> </ul>
	<ul style="list-style-type: none"> <li>Prędkości jazdy dla lewego i prawego koła tylnego są różne.</li> </ul>	<ul style="list-style-type: none"> <li>Skalibrować system śledzenia kosiarki zgodnie z instrukcjami podanymi w części „KALIBRACJA SYSTEMU ŚLEDZENIA KOSIARKI”.</li> </ul>
Brak możliwości spuszczenia pedału hamulca postojowego z pozycji hamowania lub pedał odskakuje zbyt wolno.	<ul style="list-style-type: none"> <li>Do pedału hamulca postojowego mogły się dostać śmieci lub zanieczyszczenia.</li> </ul>	<ul style="list-style-type: none"> <li>Otworzyć obudowę pedału hamulca postojowego, aby ją dokładnie wyczyścić od środka, po czym ją zamknąć. Zresetować pedał hamulca postojowego, aby zobaczyć, czy problem został rozwiązany. Jeśli nie, prosimy wówczas skontaktować się z wykwalifikowanym technikiem serwisu w celu naprawy.</li> </ul>
Kosiarki nie można naładować za pomocą portu ładowania, gdy kontrolka stanu kosiarki świeci na czerwono.	<ul style="list-style-type: none"> <li>Wtyczka ładowarki nie jest poprawnie włożona do portu ładowania na kosiarce.</li> </ul>	<ul style="list-style-type: none"> <li>Podłączyć wtyczkę ładowania, aby sprawdzić, czy kosiarkę można naładować normalnie.</li> </ul>
	<ul style="list-style-type: none"> <li>W gniazdkach ściennych nie ma prądu.</li> </ul>	<ul style="list-style-type: none"> <li>Nie jest potrzebne żadne działanie. Odczekać, aż zasilanie powróci.</li> </ul>
	<ul style="list-style-type: none"> <li>Niewłaściwe działanie ładowarki.</li> </ul>	<ul style="list-style-type: none"> <li>Zadzwoń do Centrum Obsługi Klienta EGO, aby przeprowadzić kontrolę i w razie potrzeby naprawić ładowarkę.</li> </ul>
	<ul style="list-style-type: none"> <li>Port ładowarki w kosiarce jest uszkodzony.</li> </ul>	<ul style="list-style-type: none"> <li>Skontaktować się z punktem obsługi klienta EGO.</li> </ul>
Czas ładowania za pomocą portu ładowania jest zbyt długi.	<ul style="list-style-type: none"> <li>Używanie zasilacza EGO ACA1000 do ładowania wymaga długiego czasu.</li> </ul>	<ul style="list-style-type: none"> <li>Do ładowania kosiarki-tractorka o zerowym promieniu skrętu należy używać ładowarki EGO CHV1600E.</li> </ul>
Akumulatora nie można całkowicie naładować za pomocą portu ładowania.	<ul style="list-style-type: none"> <li>Problem dotyczący oprogramowania firmowego kosiarki lub awaria akumulatora lub ładowarki.</li> </ul>	<ul style="list-style-type: none"> <li>Zresetować ładowarkę poprzez odłączenie jej od prądu i odczekanie przez co najmniej kilka minut. Następnie ponownie podłączyć wtyczkę do zasilania. Jeśli to nie rozwiąże problemu, zadzwoń do Centrum Obsługi Klienta EGO.</li> </ul>

PROBLEM	PRZYCZYNA	ROZWIĄZANIE
Kosiarki nie można uruchomić po czyszczeniu.	<ul style="list-style-type: none"> <li>Niepoprawne czyszczenie, np. woda dostała się do elektrycznych elementów, ekran LCD, itp.</li> </ul>	<ul style="list-style-type: none"> <li>Aby prawidłowo wyczyścić kosiarkę, postępować zgodnie z instrukcjami podanymi w części „<b>KONSERWACJA OGÓLNA</b>”.</li> <li>Jeśli kosiarka przez przypadek zmoknie na deszczu, należy zostawić ją na powietrzu, aby wyschła lub użyć sprężonego powietrza, aby ją wysuszyć.</li> </ul>
Pomost kosiarki szybko się zapycha.	<ul style="list-style-type: none"> <li>Pomost kosiarki nie został odpowiednio oczyszczony po poprzednim użyciu.</li> </ul>	<ul style="list-style-type: none"> <li>Wyczyścić pomost kosiarki po każdym użyciu, zgodnie z instrukcjami podanymi w części „<b>UŻYWANIE PORTU MYJĄCEGO DO CZYSZCZENIA POMOSTU KOSIARKI</b>”.</li> </ul>
Kosiarka łatwo traci przyczepność, gdy wspina się po skarpie.	<ul style="list-style-type: none"> <li>Opony tylnych kół są zużyte.</li> </ul>	<ul style="list-style-type: none"> <li>Aby wymienić opony kół, skontaktować się z lokalnym punktem serwisowym.</li> </ul>
	<ul style="list-style-type: none"> <li>Koszenie na stromym zboczu.</li> </ul>	<ul style="list-style-type: none"> <li>Kosiarka nie powinna być używana do koszenia zboczy nachylonych pod zbyt dużym kątem.</li> </ul>
Gdy kosiarka zostanie zatrzymana na skarpie z wciśniętym pedałem hamulca postojowego, kosiarka może się ześlizgnąć w dół skarpy.	<ul style="list-style-type: none"> <li>Elementy hamulca są zbyt zużyte na skutek niepoprawnego działania kosiarki.</li> </ul>	<ul style="list-style-type: none"> <li>Zadzwonić do Centrum Obsługi Klienta EGO w celu dokonania naprawy.</li> </ul>
Podczas czyszczenia pomostu w porcie myjącym nie ma wody.	<ul style="list-style-type: none"> <li>Szybkozłączka portu mycia nie została prawidłowo zamontowana na porcie mycia.</li> </ul>	<ul style="list-style-type: none"> <li>Ponownie zamocować szybkozłączkę portu myjącego, aż da się słyszeć kliknięcie. Jeśli to nie zadziała, zadzwonić na linię obsługi klienta EGO.</li> </ul>
Podczas ręcznego pchania kosiarki bez jej uruchamiania słychać nietypowe dźwięki.	<ul style="list-style-type: none"> <li>Z magnesów w silniku napędu dochodzą jakieś odgłosy.</li> </ul>	<ul style="list-style-type: none"> <li>Jest to normalne i nie wymaga żadnych działań.</li> </ul>
Nie można obrócić kierownicy.	<ul style="list-style-type: none"> <li>Zespół kierownicy jest zapchany zanieczyszczeniami.</li> </ul>	<ul style="list-style-type: none"> <li>Sprawdzić i usunąć zanieczyszczenia.</li> </ul>

PROBLEM	PRZYCZYNA	ROZWIĄZANIE
Po obróceniu kierownicy kosiarka nie skręca w lewo/prawo.	<ul style="list-style-type: none"> <li>Uszkodzenie podzespołów elektronicznych lub mechanicznych.</li> </ul>	<ul style="list-style-type: none"> <li>Zadzwonić do Centrum Obsługi Klienta EGO w celu dokonania naprawy.</li> </ul>
Po zwolnieniu pedału gazu kosiarka nie zatrzymuje się.	<ul style="list-style-type: none"> <li>Droga powrotna pedału gazu jest zapchana zanieczyszczeniami.</li> <li>W czasie jazdy został przypadkowo wciśnięty przycisk CCS. Kosiarka znajduje się w trybie tempomatu</li> </ul>	<ul style="list-style-type: none"> <li>Sprawdzić i usunąć zanieczyszczenia.</li> <li>Sprawdzić, czy na ekranie LCD świeci ikona CCS; w razie potrzeby wyjść z trybu CCS. Patrz rozdział „<b>KORZYSTANIE Z TEMPOMATU (CCS)</b>”</li> </ul>
Funkcji CCS nie można włączyć ani wyłączyć.	<ul style="list-style-type: none"> <li>Przycisk CCS nie został wciśnięty właściwie.</li> </ul>	<ul style="list-style-type: none"> <li>Naciskać przycisk CCS, aż ikona CCS zaświeci się na ekranie LCD lub zniknie z ekranu LCD.</li> </ul>
Kosiarka nie jedzie do tyłu, gdy lewa/prawa łopatka(y) jest pociągnięta w stronę operatora.	<ul style="list-style-type: none"> <li>Wskaźnik stanu kosiarki nie jest zielony i kosiarka nie jest gotowa do jazdy.</li> </ul>	<ul style="list-style-type: none"> <li>Postępować zgodnie z instrukcjami podanymi w części „<b>WŁĄCZANIE KOSIARKI</b>”, aby wskaźnik stanu kosiarki zapalił się na zielono sygnalizując gotowość kosiarki do jazdy.</li> </ul>
	<ul style="list-style-type: none"> <li>Lewa/prawa łopatka nie została prawidłowo pociągnięta w stronę operatora.</li> </ul>	<ul style="list-style-type: none"> <li>Pociągnąć lewą/prawą łopatkę lub jednocześnie obie łopatki w stronę operatora, aż da się słyszeć „kliknięcie”.</li> </ul>
	<ul style="list-style-type: none"> <li>Lewa/prawa łopatka nie jest utrzymywana w pozycji pociągniętej w stronę operatora.</li> </ul>	<ul style="list-style-type: none"> <li>Aby jechać do tyłu, przynajmniej jedna z łopatek musi być odciągnięta w stronę operatora.</li> </ul>
	<ul style="list-style-type: none"> <li>Lewa/prawa łopatka jest uszkodzona.</li> </ul>	<ul style="list-style-type: none"> <li>Skontaktować się z wykwalifikowanym technikiem serwisu w celu naprawy.</li> </ul>

## SYGNALIZACJA STANU KOSIARKI I KODY BŁĘDÓW

Wyświetlacz LCD	Opis	Kod błędu na LCD	Kontrolka stanu kosiarki	Biper	Przyczyna	Rozwiązanie
	Na ekranie LCD wyświetla się ikona świateł LED.	n.d.	NIE ŚWIECI	Nie	Reflektory, światła pozycyjne i światła tylne są włączone przełącznikiem oświetlenia LED.	Jest to normalne działanie. Nie jest potrzebne żadne działanie.
	Na ekranie LCD wyświetla się ikona USB.	n.d.	NIE ŚWIECI	Nie	Ikona USB włącza się, gdy urządzenie USB może działać po poprawnym uruchomieniu kosiarki.	Jest to normalne działanie. Nie jest potrzebne żadne działanie.
	Na ekranie LCD wyświetla się ikona paliwomierza.	n.d.	NIE ŚWIECI	Nie	Przedstawia średnią pojemność ładowania włożonych akumulatorów.	Jest to normalne działanie. Nie jest potrzebne żadne działanie.
	Na ekranie LCD wyświetla się ikona licznika godzin.	n.d.	NIE ŚWIECI	Nie	Przedstawia całkowity czas jazdy kosiarki, w godzinach i nie może być zresetowany.	Jest to normalne działanie. Nie jest potrzebne żadne działanie.
	Ikona wskaźnika obciążenia wyświetla się w zakresie ECO.	n.d.	NIE ŚWIECI	Nie	Przedstawia bieżące obciążenie kosiarki.	Jest to normalne działanie. Nie jest potrzebne żadne działanie.
	Na ekranie LCD wyświetla się ikona biegu wstecznego.	n.d.	NIE ŚWIECI	Nie	Sygnalizuje to, że kosiarka jedzie do tyłu.	Jest to normalne działanie. Nie jest potrzebne żadne działanie.

PL

Wyświetlacz LCD	Opis	Kod błędu na LCD	Kontrolka stanu kosiarki	Biper	Przyczyna	Rozwiązanie
	Ikona kluczyka zabezpieczającego miga.	n.d.	NIE ŚWIECI	Nie	Klucz zabezpieczający nie jest włożony.	Aby włączyć kosiarkę, należy włożyć kluczyk zabezpieczający, a następnie wcisnąć i przytrzymać przycisk START/STOP.
					Uszkodzenie zespołu skrzynki panelu sterowania kluczykiem.	Naprawy powinny być wykonane przez wykwalifikowanego technika serwisu.
	Miga ikona określonej komory akumulatora.	n.d.	NIE ŚWIECI	Nie	Podczas rozładowywania w jakimś akumulatorze pojawia się zbyt duży prąd.	Nie jest potrzebne żadne działanie. Jeśli łączna pojemność akumulatorów, z wyłączeniem akumulatora, w którym nastąpiło przetężenie, będzie wystarczająca, kosiarka może pracować dalej. Gdy akumulator, którego dotyczy przetężenie, wróci do normalnego stanu, zostanie natychmiast włączony do zasilania kosiarki, a ikona zniknie.
	Miga ikona pustej komory akumulatora	n.d.	NIE ŚWIECI	Nie	Pojemność akumulatora nie jest wystarczająca, aby kosiarka mogła pracować.	Aby włączyć kosiarkę, należy użyć wystarczającej ilości akumulatorów EGO zgodnie z zaleceniami podanymi w części „ <b>WKŁADANIE/ODŁĄCZANIE AKUMULATORA</b> ” niniejszej instrukcji.

PL



Wyświetlacz LCD	Opis	Kod błędu na LCD	Kontrolka stanu kosiarki	Biper	Przyczyna	Rozwiązanie
	Miga kontrolka przeciążenia	n.d.	Miga na czerwono	Jeden sygnał dźwiękowy	Silnik ostrza jest przeciążony.	Zwiększyć wysokość ustawienia pomostu kosiarki lub zmniejszyć prędkość jazdy, aby zmniejszyć obciążenie kosiarki.
					Boczna rynna wyrzutowa jest zapchana trawą i zanieczyszczeniami.	Po każdym użyciu należy wyczyścić boczną rynnę wyrzutową.
					Ostrze zahacza o pomost kosiarki.	Skontaktować się z punktem obsługi klienta EGO
	Miga ikona temperatury.	n.d.	NIE ŚWIECI	Jeden sygnał dźwiękowy	Kosiarka jest przegrzana.	Zmniejszyć obciążenie kosiarki przez zwiększenie wysokości ustawienia pomostu kosiarki lub zmniejszenie prędkości ostrza/jazdy. Odczekać, aż kosiarka ostygnie.
					Kosiarka jest za zimna.	Nie należy ponawiać prób, gdyż może to doprowadzić do uszkodzenia urządzenia. Kosiarkę i akumulatory należy zawsze przechowywać w ciepłym miejscu. Ponownie uruchomić kosiarkę, gdy będzie rozgrzana.

PL



Wyświetlacz LCD	Opis	Kod błędu na LCD	Kontrolka stanu kosiarki	Biper	Przyczyna	Rozwiązanie
	<p>Migają jednocześnie ikona temperatury i komory zajmowanej przez akumulator.</p>	<p>n.d.</p>	<p>NIE ŚWIECI</p>	<p>Nie</p>	<p>Akumulator w odpowiedniej komorze akumulatora jest przegrzany.</p>	<p>1. Jeśli łączna pojemność akumulatorów, z wyłączeniem przegrzanego akumulatora, będzie wystarczająca, kosiarka może pracować dalej. Gdy rozgrzany akumulator powróci do normalnej temperatury, będzie zasiliał natychmiast kosiarki.</p>
						<p>2. Jeśli łączna pojemność akumulatorów będzie za mała, kosiarka nie będzie działać dopóki do wolnych komór akumulatorów nie zostaną włożone dodatkowe akumulatory.</p>
						<p>3. Zmniejszyć obciążenie kosiarki przez zwiększenie wysokości ustawienia pomostu kosiarki lub zmniejszenie prędkości koszenia po wznowieniu pracy.</p>

PL

Wyświetlacz LCD	Opis	Kod błędu na LCD	Kontrolka stanu kosiarki	Biper	Przyczyna	Rozwiązanie
	<p>Na ekranie LCD jednocześnie migają co jedną sekundę ikony każdej zajmowanej przez akumulator komory, wskaźnika niskiego poziomu zasilania oraz paliwomierza. Miga również pierwsza dioda LED paliwomierza oraz wskaźnik stanu kosiarki.</p>	n.d.	Miga na czerwono	Kontynuuje wydawanie sygnałów dźwiękowych do chwili, gdy przełącznik WOM zostanie popchnięty w dół.	Akumulatory są słabo naładowane i kosiarka znajduje się w trybie awaryjnym.	<p>Przerwać pracę i wrócić do miejsca ładowania akumulatora.</p> <p><b>UWAGA:</b> Gdy kosiarka znajduje się w trybie awaryjnym, kręcenie się ostrzy zostaje automatycznie przełączone na małą prędkość obrotową, a kontrolka sygnału dźwiękowego wydaje sygnały dźwiękowe. Operator powinien przesunąć przełącznik WOM w dół, aby wyłączyć silniki ostrzy. Po zatrzymaniu się ostrzy wskaźnik dźwiękowy przestanie wydawać sygnały dźwiękowe.</p>
	<p>Ikony każdej zajętej komory baterii i wskaźnik niskiego poziomu zasilania migają co pół sekundy, a pierwsza dioda LED paliwomierza będzie migać na czerwono również co pół sekundy.</p>	n.d.	Miga na czerwono	Kontynuuje wydawanie sygnałów dźwiękowych	Akumulator jest prawie rozładowany.	<p>Kosiarka natychmiast przestanie działać. Operator powinien przemieścić kosiarkę do obszaru ładowania akumulatora w celu ładowania.</p>
	<p>Na wyświetlaczu LCD miga ikona automatycznego parkowania.</p>	n.d.	NIE ŚWIECI	Kontynuuje wydawanie sygnałów dźwiękowych	Kosiarka jest zaparkowana na zboczu, a operator opuszcza kosiarkę bez ustawienia pedału hamulca postojowego w pozycji hamowania.	<p>Ustawić pedał hamowania w pozycję hamowania. Ikona automatycznego parkowania wyłączy się, a kontrolka sygnału dźwiękowego przestanie wydawać sygnały dźwiękowe.</p>

Wyświetlacz LCD	Opis	Kod błędu na LCD	Kontrolka stanu kosiarki	Biper	Przyczyna	Rozwiązanie
	Na wyświetlaczu LCD wyświetla się ikona pedału hamulca	n.d.	NIE ŚWIECI	Nie	Pedał hamowania postojowego jest ustawiony w pozycji hamowania.	Zwolnić przed włączeniem kosiarki.

**UWAGA:** Jeśli na ekranie LCD pojawi się kod błędu, należy wyjąć wszystkie akumulatory i włożyć je z powrotem po kilku minutach. Jeśli nie rozwiąże to problemu, należy postępować zgodnie z procedurą rozwiązywania problemów na podstawie kodów błędów.

Wyświetlacz LCD	Opis	Kod błędu na LCD	Kontrolka stanu kosiarki	Biper	Przyczyna	Rozwiązanie
	Na wyświetlaczu LCD wyświetla się ikona czujnika fotela	n.d.	NIE ŚWIECI	Nie	Operator opuszcza fotel lub system blokady bezpieczeństwa fotela jest odłączony.	Jeśli operator siedzi na fotelu, a ikona się świeci, należy natychmiast zaprzestać używania kosiarki i sprawdzić połączenie fotela. Jeśli połączenie fotela w kosiarce jest poprawne, należy skontaktować się z wykwalifikowanym technikiem serwisu, w celu naprawy.
	Miga ikona przełącznika WOM	n.d.	NIE ŚWIECI	Nie	Silnik ostrza przerywa działanie a przełącznik WOM nie jest ustawiony w pozycji off.	Przed ponownym uruchomieniem kosiarki należy przesunąć przełącznik WOM w dół, aby wyłączyć silniki ostrzy. Prosimy zapoznać się z częścią „ <b>ROZWIĄZYWANIE PROBLEMÓW</b> ” w niniejszej instrukcji.

Wyświetlacz LCD	Opis	Kod błędu na LCD	Kontrolka stanu kosiarki	Biper	Przyczyna	Rozwiązanie
	Od czasu do czasu miga ikona regeneracji energii.	n.d.	NIE ŚWIECI	Nie	Energia kinetyczna wytwarzana podczas hamowania lub jazdy w dół jest przekształcona w energię elektryczną, by ładować akumulator.	Jest to normalne działanie. Nie jest potrzebne żadne działanie.
	Miga ikona kluczyka zabezpieczającego.	n.d.	NIE ŚWIECI	Nie	Awaria funkcji CCS (system tempomatu).	Gdy kosiarka jedzie z bardzo małą prędkością lub jedzie na biegu wstecznym, funkcji CCS nie można nastawić.

Wyświetlacz LCD	Opis	Kod błędu na LCD	Kontrolka stanu kosiarki	Biper	Przyczyna	Rozwiązanie	
Zobacz „Kod błędu”	Nie działa lewy silnik jazdy.	Awaria lewego silnika jazdy sterowanego PCBA.	413	NIE ŚWIECI	Jeden sygnał dźwiękowy	Awaria PCBA	Naprawy powinny być wykonane przez wykwalifikowanego technika serwisu.
		Wtyczka (trójfazowa, przewód zasilający) łącząca lewy silnik napędu z odpowiednim PCBA jest poluzowana.	317	NIE ŚWIECI	Jeden sygnał dźwiękowy	Utracone połączenie	
		Wtyczka (z sześcioma bolcami, przewód sygnałowy) łącząca lewy silnik napędu z odpowiednim PCBA jest poluzowana.	301	NIE ŚWIECI	Jeden sygnał dźwiękowy	Utracone połączenie	
		Lewy silnik jazdy nie działa.	317	NIE ŚWIECI	Jeden sygnał dźwiękowy	Awaria silnika	

**PL**

Wyświetlacz LCD	Opis	Kod błędu na LCD	Kontrolka stanu kosiarki	Biper	Przyczyna	Rozwiązanie	
Zobacz „Kod błędu”	Nie działa prawy silnik jazdy.	Awaria prawego silnika jazdy sterowanego PCBA.	313	NIE ŚWIECI	Jeden sygnał dźwiękowy	Awaria PCBA	Naprawy powinny być wykonane przez wykwalifikowanego technika serwisu.
		Wtyczka (trójfazowa, przewód zasilający) podłączona do prawego silnika z PCBA jest poluzowana.	417	NIE ŚWIECI	Jeden sygnał dźwiękowy	Utracone połączenie	
		Wtyczka (z sześcioma sworzniami, przewód sygnałowy) podłączona do prawego silnika z PCBA jest poluzowana.	401	NIE ŚWIECI	Jeden sygnał dźwiękowy	Utracone połączenie	
		Nie działa prawy silnik jazdy.	417	NIE ŚWIECI	Jeden sygnał dźwiękowy	Awaria silnika	

Wyświetlacz LCD	Opis		Kod błędu na LCD	Kontrolka stanu kosiarki	Biper	Przyczyna	Rozwiązanie
Zobacz „Kod błędu”	Nie działa silnik lewego ostrza	Nie działa silnik lewego ostrza sterowany PCBA	607	n.d.	Jeden sygnał dźwiękowy	Awaria PCBA	Naprawy powinny być wykonane przez wykwalifikowanego technika serwisu.
		Wtyczka (trójfazowa, przewód zasilający) łącząca silnik lewego ostrza z odpowiednim PCBA jest poluzowana.	509	n.d.	Jeden sygnał dźwiękowy	Utracone połączenie	Najpierw skontrolować ostrza. Jeśli śruba jest poluzowana, należy ją dokręcić zalecanym momentem. W przeciwnym razie odnieść do wykwalifikowanego technika serwisu w celu naprawy.
		Nie działa lewy silnik ostrza	509	n.d.	Jeden sygnał dźwiękowy	Awaria silnika	
Zobacz „Kod błędu”	Nie działa silnik prawego ostrza	Awaria silnika prawego ostrza sterowanego PCBA	507	n.d.	Jeden sygnał dźwiękowy	Awaria PCBA	Naprawy powinny być wykonane przez wykwalifikowanego technika serwisu.
		Wtyczka (trójfazowa, przewód zasilający) łącząca silnik prawego ostrza z odpowiednim PCBA jest poluzowana.	609	n.d.	Jeden sygnał dźwiękowy	Utracone połączenie	Najpierw skontrolować ostrza. Jeśli śruba jest poluzowana, należy ją dokręcić zalecanym momentem. W przeciwnym razie odnieść do wykwalifikowanego technika serwisu w celu naprawy.
		Nie działa silnik prawego ostrza	609	n.d.	Jeden sygnał dźwiękowy	Awaria silnika	

Wyświetlacz LCD	Opis	Kod błędu na LCD	Kontrolka stanu kosiarki	Biper	Przyczyna	Rozwiązanie
Zobacz „Kod błędu”	Nie działa pedał gazu	311/ 411	NIE ŚWIECI	Jeden sygnał dźwiękowy	Awaria PCBA	Naprawy powinny być wykonane przez wykwalifikowanego technika serwisu.
		307/ 407			Utracone połączenie	
Zobacz „Kod błędu”	Awaria kierownicy	312/ 412	NIE ŚWIECI	Jeden sygnał dźwiękowy	Awaria PCBA	Naprawy powinny być wykonane przez wykwalifikowanego technika serwisu.
					Utracone połączenie	
Zobacz „Kod błędu”	Nie działa pedał hamulca postojowego, nie można jeździć kosiarką.	Hamulec PCBA, znajdujący się w przedniej ramie, jest uszkodzony.	309/ 409	NIE ŚWIECI	Jeden sygnał dźwiękowy	Awaria PCBA
		Przełącznik hamulca postojowego i/lub przewód są popsute.				
NIE ŚWIECI	Awaria portu ładowania	n.d.	Świeci na czerwono stałym światłem	n.d.	Port ładowania jest w otwartym obwodzie.	Naprawy powinny być wykonane przez wykwalifikowanego technika serwisu.
		n.d.	Świeci na czerwono stałym światłem	n.d.	Brak zasilania.	Sprawdzić, czy napięcie w gniazdku ściennym wynosi 220-240 V lub czy gniazdko jest w dobrym stanie.
		n.d.	Świeci na czerwono stałym światłem	n.d.	Przepalony bezpiecznik.	Naprawy powinny być wykonane przez wykwalifikowanego technika serwisu.
Zobacz „Kod błędu”	Usterka portu ładowania	204	n.d.	Jeden sygnał dźwiękowy	Port ładowania jest w otwartym obwodzie.	Naprawy powinny być wykonane przez wykwalifikowanego technika serwisu.



Wyświetlacz LCD	Opis	Kod błędu na LCD	Kontrolka stanu kosiarki	Biper	Przyczyna	Rozwiązanie
Zobacz „Kod błędu”	Nie działa skrzynka akumulatorowa.	217	n.d.	Jeden sygnał dźwiękowy	Źródło zasilania ze skrzynki akumulatora jest uszkodzone. Reflektory LED oraz USB nie działają.	Naprawy powinny być wykonane przez wykwalifikowanego technika serwisu.
		310/ 410	NIE ŚWIECI	Jeden sygnał dźwiękowy	Połączenie między przewodami typu C skrzynki akumulatora i innymi przewodami typu C kosiarki nie działa.	
		201/ 202/ 203	NIE ŚWIECI	Jeden sygnał dźwiękowy	BMS skrzynki akumulatora jest uszkodzone.	
Zobacz „Kod błędu”	Awaria przełącznika start/stop	314/ 414	NIE ŚWIECI	Jeden sygnał dźwiękowy	Awaria przełącznika PCBA lub niekontaktowanie przewodu przełącznika start/stop.	Naprawy powinny być wykonane przez wykwalifikowanego technika serwisu.
Zobacz „Kod błędu”	Awaria ekranu LCD	315/ 415	NIE ŚWIECI	Jeden sygnał dźwiękowy	Komplet LCD jest uszkodzony lub niepoprawne połączenie przewodu kompletu LCD.	Naprawy powinny być wykonane przez wykwalifikowanego technika serwisu.

**PL**

## GWARANCJA

### POLITYKA GWARANCYJNA EGO

W celu zapoznania się z wszystkimi warunkami polityki gwarancyjnej EGO prosimy odwiedzić stronę [egopowerplus.com](http://egopowerplus.com).

# PŘEČTĚTE SI VŠECHNY POKYNY!



PŘEČTĚTE SI NÁVOD K OBSLUZE

## BEZPEČNOSTNÍ SYMBOL

Účelem bezpečnostních symbolů je upoutat vaši pozornost k případným nebezpečím. Bezpečnostní symboly a jejich vysvětlení vyžadují vaši zvýšenou pozornost a porozumění. Výstražné symboly samy o sobě nevylučují žádné nebezpečí. Pokyny a varování nejsou náhradou vhodných opatření pro prevenci úrazů.

**VAROVÁNÍ:** Před použitím tohoto nářadí si přečtěte a seznamte se se všemi bezpečnostními pokyny uvedenými v tomto návodu k obsluze včetně veškerých výstražných symbolů jako např. „**NEBEZPEČÍ**“, „**VAROVÁNÍ**“ a „**UPOZORNĚNÍ**“. Nedodržení níže uvedených pokynů může mít za následek úraz elektrickým proudem, požár a/ nebo vážná zranění osob.

## VÝZNAM SYMBOLŮ

Na této stránce jsou zobrazeny a popsány bezpečnostní symboly, které se mohou na výrobku objevit. Před montáží a provozem si přečtěte, seznamte se a dodržujte veškeré pokyny související s nářadím.

CZ

## BEZPEČNOSTNÍ SYMBOLY



Bezpečnostní upozornění



Ochrana očí



NEBEZPEČÍ – Nebezpečí prudkého svahu



Nikdy nevozte děti



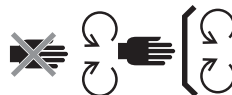
VAROVÁNÍ - Nepoužívejte tento stroj na svazích se sklonem větším než 12°.



UPOZORNĚNÍ – UDRŽUJTE NOHY A RUCE V BEZPEČNÉ VZDÁLENOSTI.



Je nutné si přečíst návod k obsluze a porozumět pokynům v něm uvedeným



Provádějte údržbu bezpečnostních zařízení



NEBEZPEČNÍ – Udržujte ostatní osoby v bezpečné vzdálenosti



Při couvání se dívejte za sebe



NEBEZPEČÍ – Odmrštěné předměty



Garantovaná hladina akustického výkonu. Podle směrnice Evropské unie.



Zákaz vstupu



Odpadní elektrické výrobky se nesmí likvidovat s domovním odpadem. Odevzdejte je do autorizovaného recyklačního střediska.



Tento výrobek je v souladu s platnými směnicemi ES



UPOZORNĚNÍ - Nedívejte se upřeně do provozního světla.



Stejnoseměrný proud



Tento výrobek je v souladu s platnými předpisy ve Spojeném království.

kPa

Kilopascal

Ot/min

Otáčky za minutu

V

Volt

m

Metry

palce

Palec

cm

Centimetry

Nm

Newtonmetr

mm

Milimetry

°C

Celsius

kg

Kilogram

km/h

Kilometry za hodinu

IPX4

Stupeň ochrany před vniknutím

## BEZPEČNOSTNÍ SYMBOLY

CZ



Tyto informace je třeba zaznamenat



Uvedená akce se zastaví

## TECHNICKÉ ÚDAJE

Napětí	56 V	
Velikost šasi	107 cm	
Velikost kola	Přední strana	279,4 x 101,6 - 127 mm
	Zadní panel	457,2 x 241,3 - 203,2 mm
Tlak v pneumatikách za studena	Přední strana	222,1 kPa
	Zadní panel	110,3 kPa
Poloměr otáčení	0	
Rychlost čepelí (ot/min)	2400; 2600; 2800; 3000	

Maximální rychlost jízdy	Dopředu	4,8 km/h, 8,1 km/h, 9,7 km/h, 11,3 km/h (12,8 km/h v cestovním režimu)
	Couvání	Až 5,6 km/h
Nabíjení	Nabíječka (volitelná)	CHV1600E
	Adaptér (volitelný)	ACA1000
	Rozsah teploty nabíjení	5°C – 40°C
Nastavení výšky sekání (10 poloh)		25 – 100 mm
Provozní teplota		0°C – 40°C
Skladovací teplota		– 20°C – 70°C

Hmotnost (bez akumulátoru)	196 kg	
Měřená hladina akustického výkonu $L_{WA}$	96,44 dB(A) K=0,68 dB(A)	
Hladina akustického tlaku na sluch obsluhy $L_{PA}$	84,3 dB(A) K=3,0 dB(A)	
Zaručená úroveň akustického výkonu $L_{WA}$ (měřeno podle směrnice 2000/14/ES)	100 dB(A)	
Vibrace $a_h$	Ruka	1,221 m/s <sup>2</sup> K=1,5 m/s <sup>2</sup>
	Tělo	0,568 m/s <sup>2</sup> K=1,5 m/s <sup>2</sup>

- Celková deklarovaná hodnota vibrací byla naměřena podle standardní zkušební metody a lze ji použít ke srovnání s jiným nářadím;
- Celkovou deklarovanou hodnotu vibrací lze použít také k předběžnému stanovení expozičních limitů.

**CZ**

**POZNÁMKA:** Emise vibrací při konkrétním použití elektrického nářadí se mohou lišit od deklarované hodnoty, při které se nářadí používá; z důvodu ochrany provozovatele by měl uživatel ve skutečných pracovních podmínkách nosit rukavice a chrániče sluchu.

## DOPORUČENÉ PŘÍSLUŠENSTVÍ

**⚠ VAROVÁNÍ:** Používejte pouze níže uvedené originální náhradní díly. Použití dílů, které nesplňují specifikace originálního vybavení, může vést k nekvalitnímu výkonu a narušení bezpečnosti.

NÁZEV DÍLU	ČÍSLO MODELU
Standardní čepel	AB4200
Vysokozdvíhací čepel	AB4201
Mulčovací zásuvka	AMP4200
Sada na sběr trávy	ABK4200-A
Zadní nárazník	AMB1000

Nákladní skříň	AMG1000
Sluneční clona	AMS1000

## POPIS

### POZNEJTE SEKAČKU (obr. A1)

- Sedačka
- Nabíjecí port
- Napájecí jednotka
- Zadní LED světlo
- Úložný prostor
- LED boční světlo
- Zadní kolo (hnací kolo)
- Mycí otvor
- Šasi
- Chránič šasi
- Protiskalповací kolečko
- Přední kolo
- Pedál parkovací brzdy
- Světla pro denní svícení
- LED světlomety
- Plynový pedál
- Oblast opěrky pro nohy
- Boční výstupní žlab
- Páka pro nastavení výšky šasi
- Knoflík pro nastavení odpružení sedadla
- Volant
- Pravý boční box
- Páka pro nastavení polohy sedadla
- Spínač pomocného pohonu
- Tlačítko Start/Stop
- Bezpečnostní klíč
- Úložný prostor na telefon
- Držáky na šálek
- Levá páka
- Kontrolka stavu sekačky
- LCD obrazovka

32. Pravá páka
33. Tlačítko pro nastavení rychlosti čepelí
34. Tlačítko CCS
35. Tlačítko režimu jízdy
36. Spínač světla LED
37. Tlačítko pro nastavení rychlosti jízdy
38. Tlačítko pro uvolnění krytu napájecí jednotky
39. Kryt napájecí jednotky
40. Napájecí jednotka se šesti přihrádkami pro akumulátory
41. Tlačítko pro uvolnění akumulátoru
42. Závěs
43. Montážní kryt nástavce
44. USB port

### POZNEJTE LCD OBRAZOVKU (obr. A2)

Další informace o symbolech a kontrolkách na LCD displeji naleznete v části „REFERENCE STAVU SEKAČKY A KÓD PORUCHY“.

1. Symbol couvání
2. Symbol CCS
3. Symbol pro bezpečnostní klíč
4. Symbol LED světla
5. Symbol automatického parkování
6. Symbol USB
7. Ukazatel rychlosti čepelí
8. Ukazatel stavu bezpečnostního zařízení
9. Počítadlo hodin
10. Symbol volného prostoru pro akumulátor
11. Symbol teploty
12. Symbol obsazeného prostoru pro akumulátor
13. Režim jízdy
14. Ukazatel chybového kódu
15. Kontrolka přetížení
16. Kontrolka nízkého stavu napájení
17. Ukazatel stavu baterie
18. Kontrolka zatížení
19. Kontrolka rychlosti pojezdu

## VYBALENÍ

**POZNÁMKA:** Obalový materiál nevyhazujte, dokud výrobek pečlivě neprohlédnete a nebudete si jisti jeho uspokojivým provozem. Pokud jsou na stroji namontovány díly uvedené v obsahu balení, neprodleně se obraťte na servis EGO.

**POZNÁMKA:** Kromě nástrojů uvedených v níže uvedeném obsahu balení jsou všechny ostatní nástroje uvedené v příručkách pouze doporučené, avšak nejsou součástí dodávky.

**POZNÁMKA:** Neodstraňujte pěnový blok pod volantem dřívě, než je volant řádně namontován. Vibrace při pohybu mohou způsobit poškození volantu.

### OBSAH BALENÍ (OBR. B)

B-1	Pojezdová sekačka s nulovým poloměrem otáčení	B-2	Sedačka
B-3	Mulčovací zásuvka	B-4	Šrouby s nástrčnou hlavou (2 jako záloha)
B-5	Imbusový klíč	B-6	Nástrčný klíč
B-7	Otevřený klíč	B-8	Bezpečnostní klíče
B-9	Rychlospojka mycího otvoru	B-10	Návody k obsluze

CZ

## MONTÁŽ

### INSTALACE SEDADLA (obr. C1 - C4)

**VAROVÁNÍ:** Bezpečnostní blokovací systém nelze odpojit ani obejít. V opačném případě by mohlo dojít k neočekávanému spuštění sekačky a následnému zranění osob.

**POZNÁMKA:** Z důvodu bezpečnosti se může stát, že se sekačka zastaví, jelikož se během jízdy odpojí spínač sedadla. V takovém případě naleznete další informace v části „ODSTRAŇOVÁNÍ ZÁVAD“.

C1-1	Zdířka	C1-2	Zástrčka
C1-3	Kabel	C2-1	Rameno sedadla
C2-2	Základna pro zavěšení	C2-3	Imbusový klíč
C2-4	Šrouby s nástrčnou hlavou	C2-5	Páka pro nastavení polohy sedadla
C3-1	Ocelové kolejnice	C3-2	Imbusový klíč
C3-3	Šrouby s nástrčnou hlavou	C4-1	Háček

### MONTÁŽ VOLANTU (obr. C5 - C6)

C5-1	Zajišťovací šroub	C5-2	Bar
C6-1	Lokalizační blok	C6-2	Drážka
C6-3	Chránič volantu		

### **CZ** PŘIPOJENÍ MULČOVACÍ ZÁSUVKY (obr. C7)

C7-1	Boční výstupní žlab	C7-2	Mulčovací zásuvka
C7-3	Pohyblivá pružina		

## NASTAVENÍ

### PŘED NASTAVENÍM (obr. D1)

### NASTAVENÍ VÝŠKY ŘEZACÍHO ÚSTROJÍ (obr. D2)

### NASTAVENÍ PROTISKALPOVACÍCH KOLEČEK (obr. D3 - D6)

D3-1	Protiskalповací kolečko	D5-1	Matice
D5-2	Šroub s okem	D6-1	Označení výšky šasi

### NASTAVENÍ SEDADLA (obr. D7)

D7-1	Páka pro nastavení polohy sedadla	D7-2	Knoflík pro nastavení odpružení sedadla
------	-----------------------------------	------	---

### NASTAVENÍ VOLANTU (obr. D8)

D8-1	Zajišťovací šroub	D8-2	Bar
D8-3	Lokalizační blok	D8-4	Drážka

## OBSLUHA

### PŘED PROVOZEM (obr. E1)

### NASTAVENÍ PARKOVACÍ BRZDY (obr. E2)

E2-1	Uvolněná poloha	E2-2	Zabrzdněná poloha
------	-----------------	------	-------------------

**POZNÁMKA:** Nikdy nesešlapujte pedál parkovací brzdy, abyste snížili rychlost. Jakmile je pedál parkovací brzdy dostatečně sešlápnutý, ale ne do úplné parkovací polohy, sekačka se na rovném povrchu přestane pohybovat, ale pokud se tak stane na svahu, může sekačka po svahu sklouznout.

### INSTALACE/ODPOJENÍ AKUMULÁTORU (Obr. E3 - E6)

Ke spuštění této sekačky jsou zapotřebí akumulátory EGO o celkové kapacitě 15 Ah (2 X BA4200T/BA4200T) nebo vyšší. Pro dosažení nejlepšího výkonu doporučujeme používat akumulátory EGO s celkovou kapacitou 30 Ah nebo vyšší.

E3-1	Tlačítko pojistky krytu	E5-1	Tlačítko pro uvolnění akumulátoru
------	-------------------------	------	-----------------------------------

### NABÍJENÍ SEKAČKY

Používejte pouze doporučené akumulátory a nabíječky.

- Nabíjejte akumulátor(y) samostatně (obr. E7).

**POZNÁMKA:** Podrobné pokyny naleznete v příslušných příručkách k akumulátorům a nabíječkám.

- Nabíjejte akumulátor(y) přes nabíjecí port (obr. E8 - E10).

E10-1	Prachová krytka	E10-2	Nabíjecí port
-------	-----------------	-------	---------------

### TESTOVÁNÍ BEZPEČNOSTNÍHO BLOKOVACÍHO SYSTÉMU

- Zkouška čepelového systému šasi (obr. E11 - E12)
- Zkouška jízdního systému (obr. E13 - E14)



Pokud se čepelový systém šasi a/nebo systém řízení jízdy nezastaví, jakmile je obsluha mimo sedadlo a pokud nelze určit příčinu ani po ověření, že je zástrčka a zásuvka sedadla řádně připojena, neprodleně se obraťte na zákaznické servisní středisko EGO.

## KONTROLNÍ SEZNAM PŘED POUŽITÍM

- Zajistěte, aby se v pracovním prostoru nenacházely děti, kolemjdoucí a domácí zvířata.
- Z pracovního prostoru odstraňte předměty, které by čepele sekačky mohly vymrštít.
- Vyčistěte sekačku od nečistot.
- Zkontrolujte, zda nejsou uvolněné upevňovací prvky.
- Zkontrolujte, zda jsou všechny ochranné kryty na svém místě a zda správně fungují.
- Vizuálně zkontrolujte, zda jsou pneumatiky nahuštěné.
- Zkontrolujte funkci brzdy.
- Nastavte výšku sekačky do požadované polohy pro sečení, která je pro trávník nejvhodnější, a odpovídajícím způsobem nastavte protiskalповací kolečka.
- Upravte polohu sedadla a ujistěte se, že dosáhnete na oba pedály.
- V případě potřeby nastavte volant do požadované polohy.
- Zkontrolujte úroveň nabití baterie.
- Otestujte bezpečnostní blokovací systém.

## SPUŠTĚNÍ SEKAČKY (obr. E15 - E16)

**⚠ VAROVÁNÍ:** Vyvarujte se náhlých rozjezdů, zastavení a otáčení, jakož i nadměrné rychlosti, zejména pokud se se sekačkou učíte pracovat poprvé. Sekačka se může rychle roztočit, což může způsobit ztrátu kontroly a vážné zranění a/nebo škody.

**⚠ VAROVÁNÍ:** Před spuštěním sekačky zkontrolujte a ujistěte se, že jsou nože odpojené do 5 s, když stlačíte spínač PTO směrem dolů. Pokud se čepele nezastaví, sekačku nepoužívejte a okamžitě kontaktujte zákaznický servis EGO.

**POZNÁMKA:** Postupujte podle obr. E17 a obr. E18, abyste dosáhli nejnižší rychlosti jízdy a režimu jízdy STANDARD, dokud nebudete plně schopni ovládat sekačku za všech okolností.

Sekačka uloží a při opětovném spuštění zobrazí předchozí režim jízdy, rychlost jízdy a kalibraci volantu.

## NASTAVENÍ JÍZDNÍHO REŽIMU (obr. E17)

- **REGULACE:** Nižší zrychlení, méně citlivé ovládání a mírná rychlost otáčení pro ochranu trávy a pro nové uživatele.
- **STANDARDNÍ:** Perfektní pro každodenní používání.
- **SPORTOVNÍ:** Vyšší zrychlení, přesné ovládání a ostré otáčení pro maximální efektivitu sečení a pro nadšence do sečení.

**POZNÁMKA:** Režim jízdy nelze během jízdy nastavit. Funkce se aktivuje pouze tehdy, když jsou kola sekačky zastavena.

## Nastavení rychlosti jízdy (obr. E18)

**POZNÁMKA:** Když v režimu „TURBO“ stisknete tlačítko „-“, rychlost jízdy se vrátí do předchozího režimu.

## Nastavení rychlosti čepelí (obr. E19)

### Světla LED

- Světlomety, boční světla a zadní světla se ovládají pomocí spínače LED světel.
- Světla během jízdy vždy svítí.
- Pokud jsou zadní světla vypnutá, při couvání blikají z důvodu varování osob v okolí; pokud jsou zadní světla zapnutá, zůstávají zapnutá.
- Všechna světla se automaticky vypnou, když se sekačka po určité době bez provozu automaticky vypne.

### USB port

**POZNÁMKA:** Port USB zajišťuje nabíjecí napětí 5 V= při kombinovaném odběru až 1,5 A a je napájen pouze při spuštění sekačky.

## ZASTAVENÍ SEKAČKY (obr. E20)

**POZNÁMKA:** Sekačka se automaticky vypne, jakmile nebude v provozu déle než 60 minut.

### Režim nízkého stavu akumulátoru

Když se nabití akumulátoru kriticky sníží, přejde sekačka do režimu nízkého stavu akumulátoru, aby zachovala dostatek energie pro návrat do nabíjecí oblasti.

- Čepele se přepnou na nízkou rychlost otáčení, při které lze posekat jen velmi malé množství trávy. Při setkání vysoké a husté trávy se čepele přestanou

otáčet. Zvukový indikátor se bude s přestávkami ozývat (pípání).

- Indikátor stavu sekačky bude každou sekundu blikat červeně, blikat bude indikátor nízkého stavu napájení i grafika baterie na palivoměru.

Obsluha by měla:

- Stisknutím spínače pomocného pohonu směrem dolů vypněte motory čepelí. Zvukový indikátor se přestane ozývat, jakmile se motory čepelí zastaví.
- Přestaňte pracovat a co nejdříve se přesuňte do nabíjecího prostoru. Maximální vzdálenost, kterou může sekačka ujet, je 1000 m.

Pokud je akumulátor téměř vybitý, bliká dvakrát za sekundu symbol každého obsazeného prostoru pro akumulátor a kontrolka nízkého stavu akumulátoru. Sekačka okamžitě přestane pracovat. Obsluha musí sekačku dopravit na místo nabíjení, aby se mohla nabít.

**POZNÁMKA:** Pokud je nutné sekačku manuálně odtlačit, ujistěte se, že jsou baterie odpojeny od sekačky a pedál parkovací brzdy je uvolněn z brzděné polohy.

CZ

## ŘÍZENÍ SEKAČKY (obr. E21)

**⚠ NEBEZPEČÍ:** Nepřibližujte se k příkopům, srázům nebo vodě na vzdálenost alespoň dvou šířek sečení. Přední kola se mohou při zastavení sekačky i se zataženou brzdou otáčet a způsobit přejetí sekačky přes okraj nebo do vody s následkem smrti nebo vážného zranění osob.

**⚠ VAROVÁNÍ:** Před couváním se ujistěte, co se nachází v prostoru za sekačkou. Pokud to není nezbytně nutné, při couvání NESEČTE. Před couváním a při couvání se vždy dívejte dolů a dozadu a ujistěte se, že do prostoru sečení nevstupují děti, kolemjdoucí nebo domácí zvířata. Nezapomínejte, že stačí chvíle nepozornosti a může se stát vážný úraz či může dojít k úmrtí.

**⚠ VAROVÁNÍ:** Neprovozujte tento stroj na veřejných komunikacích.

**⚠ VAROVÁNÍ:** Pokud dojde k zablokování nebo k nárazu na cizí předmět, zastavte motory a vyjměte baterie. Odstraňte posekanou trávu, listí, nečistoty a další nahromaděné nečistoty; před opětovným spuštěním a provozem sekačky důkladně zkontrolujte, zda není poškozena, a poškození opravte.

## POUŽÍVÁNÍ TEMPOMATU (CCS)

**Aktivace systému CCS během jízdy (obr. E22)**

**POZNÁMKA:** Úroveň rychlosti jízdy zobrazená na displeji LCD nemusí přesně odpovídat skutečné rychlosti jízdy sekačky v režimu tempomatu. Stisknutím jednoho z tlačítek pro nastavení rychlosti („←“ nebo „→“) „obnovte“ a nastavte úroveň rychlosti jízdy na displeji LCD.

**Pro ukončení systému CCS a zastavení sekačky** můžete zvolit jeden ze čtyř způsobů:

- Lehce sešlápněte plynový pedál a poté jej uvolněte.
- Zatáhněte za levou/pravou páku směrem k obsluze a poté ji uvolněte.
- Sešlápněte pedál parkovací brzdy.
- Stiskněte tlačítko CCS.

**POZNÁMKA:** Sešlápněte pedál plynu až na doraz, abyste dosáhli aktuální rychlosti jízdy CCS, a pokračujte v sešlapávání. Funkce CCS se zastaví a sekačka bude pokračovat v jízdě aktuální rychlostí.

## ÚDRŽBA

**⚠ VAROVÁNÍ:** Vždy používejte ochranu očí s bočními kryty. Pokud tak neučiníte, může dojít k vyvrstvení předmětu do očí, což může mít za následek vážné zranění.

**⚠ VAROVÁNÍ:** Při údržbě čepelí sekačky vždy chraňte ruce s pomocí pevných rukavic nebo zabalením břitů čepele do hadru nebo jiného materiálu. Při servisu nebo přepravě sekačky vždy vyjměte bezpečnostní klíč a akumulátory.



Interval údržby	Postup údržby
Před každým použitím nebo denně	<ul style="list-style-type: none"> <li>Zkontrolujte bezpečnostní blokovací systém.</li> <li>Vizuálně zkontrolujte, zda jsou pneumatiky nahuštěné.</li> <li>Zkontrolujte čepele.</li> <li>Zkontrolujte celý výrobek, zda na něm nejsou poškozené, chybějící nebo uvolněné díly, jako je boční výstupní žlab, šrouby, matice, krytky atd. a ujistěte se, že jsou všechny kryty na svém místě a správně fungují.</li> <li>Zkontrolujte a ujistěte se, že lze pedál plynu řádně sešlápnout a uvolnit.</li> <li>Zkontrolujte tlumič volantu. Volantem je třeba otáčet s určitým odporem.</li> </ul>
Po každém použití	<ul style="list-style-type: none"> <li>Vyčistěte šasi sekačky.</li> </ul>
Každých 25 hodin	<ul style="list-style-type: none"> <li>Zkontrolujte tlak v pneumatikách.</li> </ul>
Každých 100 hodin	<ul style="list-style-type: none"> <li>Zkontrolujte zadní kola a ujistěte se, že jsou všechny matice upevněny doporučeným utahovacím momentem.</li> </ul>
Každých 200 hodin	<ul style="list-style-type: none"> <li>Zkontrolujte přední kola a ujistěte se, že se volně otáčejí.</li> </ul>
Před uskladněním	<ul style="list-style-type: none"> <li>Vyjměte baterie ze sekačky.</li> <li>Vyjměte bezpečnostní klíč ze sekačky.</li> <li>Proveďte všechny výše uvedené postupy údržby a sekačku důkladně vyčistěte.</li> <li>Před uskladněním zkontrolujte celý výrobek, zda není poškozen, nechybí nebo není uvolněný žádný díl, a příslušné díly vyměňte nebo utáhněte.</li> </ul>

Ročně	<ul style="list-style-type: none"> <li>Zkontrolujte pedál parkovací brzdy. Vyjměte akumulátor ze sekačky a nastavte parkovací pedál do brzdné polohy. Ručně zatlačte sekačku směrem vpřed a zjistěte, zda lze sekačkou pohybovat či nikoli. Pokud se pohybuje, nechte ji opravit kvalifikovaným servisním technikem.</li> </ul>
-------	---

## CELKOVÁ ÚDRŽBA

### Čištění krytu sekačky (obr. F1 - F2)

### Vyčistěte šasi sekačky pomocí mycího otvoru (obr. F3 - F4)

F2-1	Mycí otvor	F2-2	Rychlospojka mycího otvoru
F2-3	Zahradní hadice		

**POZNÁMKA:** Po dokončení čištění sekačku zcela vypněte a poté odpojte zahradní hadici a rychlospojku.

## ÚDRŽBA ŠASI SEKAČKY A ŽACÍCH ČEPELÍ

### PŘÍPRAVA (obr. G1)

### Demontáž šasi sekačky (obr. G2 - G3)

G2-1	Kabel motoru	G2-2	Vazba odpružení
G2-3	Závlačka		

**POZNÁMKA:** Při demontáži šasi sekačky odpojte všechny kabely motoru a závlačky.

### Výměna žacích čepelí (obr. G4–G6)

G4-1	Stabilizátor	G5-1	Čep
G5-2	Podložka	G5-3	Pilová lišta
G5-4	Příruba	G5-5	Hřídel motoru

### Vyrovnaní šasi sekačky

- Kdy je třeba provést vyrovnaní (obr. G7–G9)
- Před vyrovnaním
  - Kontrola tlaku ve studených pneumatikách (obr. G10)

GZ

- Zkontrolujte žací čepele. V případě potřeby sejměte a vyměňte opotřebené, prasklé a/nebo ohnuté čepele.
- c. **Příprava na vyrovnání (obr. G11)**
- d. **Jak provést vyrovnání**
  - Nastavení do stran (obr. G12)
  - Nastavení zepředu dozadu (obr. G13)

## KALIBRACE SYSTÉMU SLEDOVÁNÍ SEČENÍ (obr. H1 - H2)

**POZNÁMKA:** Při zahájení kalibrace i po jejím dokončení vydá sekačka jeden zvukový signál (pípnutí).

**POZNÁMKA:** Kalibrace použita pro jeden z jízdních režimů („CONTROL“, „STANDARD“, „SPORT“) nemusí být k dispozici pro ostatní dva režimy. Podle potřeby kalibrujte volant v každém jízdním režimu samostatně.

## RESETOVÁNÍ SEKAČKY DO TOVÁRNÍHO NASTAVENÍ (obr. I)

CZ

**POZNÁMKA:** Při spuštění resetování i po jeho dokončení vydá sekačka jeden zvukový signál (pípnutí).

**POZNÁMKA:** Po úspěšném resetování se níže uvedená nastavení vrátí do původního továrního nastavení:

- režim jízdy
- rychlost jízdy
- kalibrace volantu

## SKLADOVÁNÍ & PŘEPRAVA

### PŘEPRAVA SEKAČKY (obr. J1 - J5)

**POZNÁMKA:** Sekačku podle potřeby zajistěte pomocí popruhů nebo lan s cílem zamezit pohybu během přepravy.

### SKLADOVÁNÍ (obr. K1 - K2)

**POZNÁMKA:** Vyměňte akumulátory a uložte je podle příslušných příruček.

Před uskladněním sekačku vyčistěte a zkontrolujte, viz části „ČIŠTĚNÍ SEKAČKY“ a „DOPORUČENÝ(É)

### PLÁN(Y) ÚDRŽBY“.

#### Ochrana životního prostředí




OEEZ (Odpadních elektrická a elektronická zařízení) Elektrické zařízení, použité akumulátory a nabíječku nevyhazujte do domovního odpadu! Tento výrobek předejte autorizované recyklační společnosti ke tříděnému sběru. Elektrické nářadí musí být vráceno do zařízení pro ekologickou recyklaci.

## ODSTRAŇOVÁNÍ ZÁVAD

PROBLÉM	PŘÍČINA	ŘEŠENÍ
Pojezdová sekačka s nulovým poloměrem otáčení se při sešlápnutí pedálu plynu nerozjede.	<ul style="list-style-type: none"> <li>Kombinovaný počet Ah vložených akumulátorů nesplňuje požadavek.</li> </ul>	<ul style="list-style-type: none"> <li>Pro nastartování této sekačky použijte dostatečný počet baterií EGO podle pokynů uvedených v části „<b>PŘIPOJENÍ/ODSTRANĚNÍ AKUMULÁTORU</b>“ v tomto návodu.</li> </ul>
	<ul style="list-style-type: none"> <li>Pedál parkovací brzdy je nastaven do brzděné polohy.</li> </ul>	<ul style="list-style-type: none"> <li>Úplně sešlápněte pedál parkovací brzdy a uvolněte jej z brzděné polohy.</li> </ul>
	<ul style="list-style-type: none"> <li>Levá i pravá páka není lehce vytaženo směrem k obsluze, aby se při spuštění sekačky rozsvítil zelený indikátor stavu sekačky.</li> </ul>	<ul style="list-style-type: none"> <li>Zatáhněte současně za obě páky, levou i pravou, směrem k obsluze a poté uvolněte. Indikátor stavu sekačky bude svítit zeleně, což znamená, že je sekačka připravena ke spuštění.</li> </ul>
	<ul style="list-style-type: none"> <li>Obsluha nesedí na sedadle.</li> </ul>	<ul style="list-style-type: none"> <li>Sekačku lze ovládat, pouze pokud obsluha řádně sedí na sedadle.</li> </ul>
	<ul style="list-style-type: none"> <li>Spínač sedadla není správně zapojen.</li> </ul>	<ul style="list-style-type: none"> <li>Vyjměte akumulátor ze sekačky a demontujte sedadlo v opačném pořadí, než je uvedeno v části „<b>MONTÁŽ SEDADLA</b>“ v této příručce, abyste se ujistili, že je zástrčka kabelu správně připojena k zásuvce na spodní straně sedadla. Znovu sestavte sedadlo a podle pokynů v části „<b>SPUŠTĚNÍ SEKAČKY</b>“ znovu spusťte sekačku a zjistěte, zda lze sekačku spustit. V opačném případě se obraťte na kvalifikovaného servisního technika, který provede opravu.</li> </ul>
	<ul style="list-style-type: none"> <li>Za extrémně chladného počasí nemusí dojít k úspěšnému spuštění funkce pohonu z důvodu ochrany proti nízké teplotě.</li> </ul>	<ul style="list-style-type: none"> <li>Sekačku a akumulátor vždy skladujte v teplém prostředí. Po zahřátí sekačku znovu spusťte. Neprovádějte opakované pokusy za extrémně chladného počasí, které by mohlo sekačku poškodit.</li> </ul>
	<ul style="list-style-type: none"> <li>Dráha pohybu plynového pedálu je zanesena nečistotami.</li> </ul>	<ul style="list-style-type: none"> <li>Zkontrolujte a odstraňte nečistoty.</li> </ul>
	<ul style="list-style-type: none"> <li>Porucha mechanických nebo elektronických součástí plynového pedálu.</li> </ul>	<ul style="list-style-type: none"> <li>Obraťte se na kvalifikovaného servisního technika, který provede opravu.</li> </ul>

**CZ**

PROBLÉM	PŘÍČINA	ŘEŠENÍ
<p>Pojezdová sekačka s nulovým poloměrem otáčení na trávu se zastaví.</p>	<ul style="list-style-type: none"> <li>Levá/pravá páka vyžaduje „reset“.</li> </ul>	<ul style="list-style-type: none"> <li>Zatáhněte za levou/pravou páku směrem k obsluze a uvolněte je. Pokud kontrolka stavu svítí zeleně, je sekačka připravena k použití.</li> </ul>
	<ul style="list-style-type: none"> <li>Porucha elektronických součástí plynového pedálu.</li> </ul>	<ul style="list-style-type: none"> <li>Obraťte se na kvalifikovaného servisního technika, který provede opravu.</li> </ul>
	<ul style="list-style-type: none"> <li>Při jízdě v náročném terénu se odpojil bezpečnostní blokovací systém sedadla.</li> </ul>	<ul style="list-style-type: none"> <li>Vyjměte akumulátor ze sekačky a demontujte sedadlo v opačném pořadí, než je uvedeno v části „<b>MONTÁŽ SEDADLA</b>“ v této příručce, abyste se ujistili, že je zástrčka kabelu správně připojena k zásuvce na spodní straně sedadla. Znovu sestavte sedadlo a podle pokynů v části „<b>SPUŠTĚNÍ SEKAČKY</b>“ znovu spusťte sekačku a zjistěte, zda lze sekačku spustit. V opačném případě se obraťte na kvalifikovaného servisního technika, který provede opravu.</li> </ul>
	<ul style="list-style-type: none"> <li>Hmotnost obsluhy není na sedadle rozložena rovnoměrně. Hmotnost obsluhy na sedadle musí být nejméně 20 kg, aby bezpečnostní blokovací systém sedadla správně fungoval.</li> </ul>	<ul style="list-style-type: none"> <li>Správně se posadte na sedadlo, zatáhněte za levou/pravou nebo obě páky směrem k obsluze a uvolněte je, pak je sekačka připravena k jízdě.</li> <li>V případě potřeby akumulátor odpojte a znovu připojte.</li> </ul>
	<ul style="list-style-type: none"> <li>Sešlápnutím pedálu parkovací brzdy se sníží rychlost jízdy. Jakmile je pedál parkovací brzdy dostatečně sešlápnutý, ale ne do parkovací polohy, sekačka se zastaví.</li> </ul>	<ul style="list-style-type: none"> <li>Pro opětovné spuštění sekačky postupujte podle pokynů v části „<b>SPUŠTĚNÍ SEKAČKY</b>“.</li> </ul>
<p>Režim jízdy nelze během jízdy nastavit.</p>	<ul style="list-style-type: none"> <li>Jedná se o funkci pojezdové sekačky s nulovým poloměrem otáčení pro bezpečnou jízdu.</li> </ul>	<ul style="list-style-type: none"> <li>Funkce se aktivuje pouze tehdy, když jsou kola sekačky zastavena.</li> </ul>

PROBLÉM	PŘÍČINA	ŘEŠENÍ
<p>Pojezдовая sekačka s nulovým poloměrem otáčení nespustí čepel, když je zapnutý spínač pomocného pohonu.</p>  <p>Bliká symbol spínače pomocného pohonu</p>	<ul style="list-style-type: none"> <li>Kombinovaný počet Ah vložených akumulátorů nespĺňuje požadavek.</li> </ul>	<ul style="list-style-type: none"> <li>Pro nastartování této sekačky použijte dostatečný počet baterií EGO podle pokynů uvedených v části „PŘIPOJENÍ/ODSTRANĚNÍ AKUMULÁTORU“ v tomto návodu.</li> </ul>
	<ul style="list-style-type: none"> <li>Spínač pomocného pohonu nebyl při posledním vypnutí sekačky stisknutý.</li> </ul>	<ul style="list-style-type: none"> <li>Stisknutím spínače pomocného pohonu dolů a poté nahoru restartujte motory čepelí.</li> </ul>
	<ul style="list-style-type: none"> <li>Sekačka je přetížena v okamžiku, kdy se čepel začínají otáčet, což spustí samočinnou ochranu motoru.</li> </ul>	<ul style="list-style-type: none"> <li>Nejprve spusťte sekání trávy při nižších rychlosti čepelí a dokud se čepel nezačnou úspěšně otáčet, nezvyšujte rychlost otáček čepelí.</li> </ul>
	<ul style="list-style-type: none"> <li>Za extrémně chladného počasí nemusí dojít k úspěšnému spuštění motoru čepelí v důsledku ochrany proti nízké teplotě.</li> </ul>	<ul style="list-style-type: none"> <li>Sekačku a akumulátor vždy skladujte v teplém prostředí. Po zahřátí sekačku znovu spusťte. Neprovádějte opakované pokusy za extrémně chladného počasí, které by mohlo sekačku poškodit.</li> </ul>
	<ul style="list-style-type: none"> <li>Čepel zasahuje do deformovaný šasi sekačky.</li> </ul>	<ul style="list-style-type: none"> <li>Kontaktujte zákaznický servis společnosti EGO.</li> </ul>
	<ul style="list-style-type: none"> <li>Sekačka jede rychlostí „TRAVEL“.</li> </ul>	<ul style="list-style-type: none"> <li>Když sekačka jede rychlostí „TRAVEL“, motory čepelí se automaticky zastaví.</li> </ul>

PROBLÉM	PŘÍČINA	ŘEŠENÍ
Během sekání trávy přestanou čepele pracovat.	<ul style="list-style-type: none"> <li>▪ Sekačka je přetížená.</li> </ul>	<ul style="list-style-type: none"> <li>▪ Zvyšte výšku sečení nebo snižte rychlost jízdy, čímž snižíte zatížení sekačky.</li> </ul>
	<ul style="list-style-type: none"> <li>▪ Šasi sekačky je zanesené trávou a nečistotami.</li> </ul>	<ul style="list-style-type: none"> <li>▪ Vyčistěte šasi sekačky a zkontrolujte, zda se mohou čepele volně pohybovat.</li> </ul>
	<ul style="list-style-type: none"> <li>▪ Sekačka je přehřátá.</li> </ul>	<ul style="list-style-type: none"> <li>▪ Snižte zatížení sekačky zvýšením výšky sečení nebo snížením rychlosti čepelí / pohonu a nechte sekačku vychladnout.</li> </ul>
	<ul style="list-style-type: none"> <li>▪ Akumulátory v prostoru pro akumulátory sekačky jsou přehřáté, což má za následek, že kombinovaná hodnota Ah všech vložených akumulátorů nespĺňuje požadavek.</li> </ul>	<ol style="list-style-type: none"> <li>1. Sekačka může pokračovat v práci, pokud kombinovaná kapacita baterie Ah, s výjimkou přehřáté baterie, splňuje požadavek. Jakmile se přehřátý akumulátor vrátí na normální teplotu, neprodleně se připojí k napájení sekačky.</li> </ol>
		<ol style="list-style-type: none"> <li>2. Pokud kombinovaná kapacita akumulátorů nespĺňuje požadavek, sekačka nebude fungovat, dokud do volných přihrádek pro akumulátory nevložíte další akumulátory.</li> </ol>
		<ol style="list-style-type: none"> <li>3. Při opětovném spuštění provozu snižte zatížení sekačky zvýšením výšky sečení nebo snížením rychlosti sečení.</li> </ol>
	<ul style="list-style-type: none"> <li>▪ Sekačka je v režimu nízkého stavu baterie.</li> </ul>	<ul style="list-style-type: none"> <li>▪ Pokud je sekačka v režimu nízkého stavu akumulátoru, čepele se automaticky přepnou do nízkých otáček a přestanou sekat. Obsluha by měla přestat pracovat a co nejdříve přejet do prostoru pro nabíjení akumulátoru.</li> </ul>
	<ul style="list-style-type: none"> <li>▪ Sekačku zasáhl cizí předmět, což má za následek samočinné spuštění ochrany motoru.</li> </ul>	<ul style="list-style-type: none"> <li>▪ Stisknutím spínače pomocného pohonu dolů a poté nahoru restartujte motory čepelí.</li> </ul>
<ul style="list-style-type: none"> <li>▪ Rychlost sekačky je nastavena do režimu „TRAVEL“.</li> </ul>	<ul style="list-style-type: none"> <li>▪ Když je rychlost sekačky v režimu „TRAVEL“, čepelové motory se automaticky zastaví.</li> </ul>	
Sekačka stále vydává zvukový signál.	<ul style="list-style-type: none"> <li>▪ Sekačka je v režimu nízkého stavu akumulátoru a nedošlo k vypnutí čepelí.</li> </ul>	<ul style="list-style-type: none"> <li>▪ Stisknutím spínače pomocného pohonu dolů vypněte motory čepelí. Po vypnutí motorů čepelí přestane znít zvukový indikátor.</li> </ul>
	<ul style="list-style-type: none"> <li>▪ Sekačka se zastaví při jízdě na svahu a operátor je mimo sedadlo, aniž by nastavila pedál parkovací brzdy do brzděné polohy.</li> </ul>	<ul style="list-style-type: none"> <li>▪ Před opuštěním sekačky na svahu nastavte pedál parkovací brzdy do brzděné polohy.</li> </ul>

PROBLÉM	PŘÍČINA	ŘEŠENÍ
Indikátory akumulátoru svítí i po vypnutí sekačky.	<ul style="list-style-type: none"> <li>▪ Pokud sekačku vypnete na zemi, aniž byste ze sekačky vyndali akumulátory, kontrolky akumulátoru, tlačítko start/stop a tlačítko CCS zůstanou po určitou dobu rozsvícené.</li> </ul>	<ul style="list-style-type: none"> <li>▪ Není zapotřebí žádného úkonu. Když se sekačka po určité době vypne, kontrolky akumulátoru zhasnou. Konkrétní čas najdete v části „<b>ZASTAVENÍ SEKAČKY</b>“.</li> </ul>
	<ul style="list-style-type: none"> <li>▪ Pokud sekačku vypnete na svahu, aniž byste nastavili parkovací brzdu do brzdě polohy, kontrolky baterie budou svítit až do vybití baterie. Zároveň bude sekačka vydávat zvukový signál.</li> </ul>	<ul style="list-style-type: none"> <li>▪ Před opuštěním sekačky na svahu nastavte pedál parkovací brzdy do brzdě polohy.</li> </ul>
LCD displej se nerozsvítí, třebaže jsou všechny symboly zapnuté.	<ul style="list-style-type: none"> <li>▪ Tlačítko start/stop bylo stisknuto na dostatečně dlouhou dobu.</li> </ul>	<ul style="list-style-type: none"> <li>▪ Po krátkém stisknutí tlačítka start/stop se na LCD displeji zobrazí pouze „Stav baterie“.</li> </ul>
		<ul style="list-style-type: none"> <li>▪ Displej LCD se zapne po stisknutí tlačítka start/stop na dostatečně dlouhou dobu.</li> </ul>
Sekačka seká nerovnoměrně, s výrazným výškovým rozdílem vpředu a vzadu.	<ul style="list-style-type: none"> <li>▪ Čepele jsou tupé.</li> </ul>	<ul style="list-style-type: none"> <li>▪ Žací čepele nabruste nebo vyměňte podle pokynů v této příručce.</li> </ul>
	<ul style="list-style-type: none"> <li>▪ Čepele jsou ohnuté.</li> </ul>	<ul style="list-style-type: none"> <li>▪ Ohnuté žací čepele vyměňte podle pokynů v části „<b>VÝMĚNA ŽACÍCH ČEPELÍ</b>“.</li> </ul>
	<ul style="list-style-type: none"> <li>▪ Šasi sekačky není vyrovnané, což má za následek rozdílnou výšku žací čepele.</li> </ul>	<ul style="list-style-type: none"> <li>▪ Vyrovnejte šasi sekačky podle pokynů v části „<b>VYROVNÁNÍ ŠASI SEKAČKY</b>“.</li> </ul>
Skutečná výška sečení trávy není v souladu s požadovanou výškou.	<ul style="list-style-type: none"> <li>▪ Matice šasi sekačky na závěsu jsou uvolněné.</li> </ul>	<ul style="list-style-type: none"> <li>▪ Podle pokynů v části „<b>VYROVNÁNÍ ŠASI SEKAČKY</b>“ proveďte správné nastavení šasi sekačky zepředu dozadu a pevně utáhněte matice na závěsu.</li> </ul>
	<ul style="list-style-type: none"> <li>▪ Šasi sekačky je poškozené nebo značně opotřebené.</li> </ul>	<ul style="list-style-type: none"> <li>▪ Při výměně šasi sekačky postupujte podle pokynů v části „<b>DEMONTÁŽ ŠASI SEKAČKY</b>“.</li> </ul>
Sekačka špatně mulčuje.	<ul style="list-style-type: none"> <li>▪ Na spodní straně šasi se usazuje posekaná tráva.</li> </ul>	<ul style="list-style-type: none"> <li>▪ Počkejte, až tráva před sekáním uschne.</li> </ul>
	<ul style="list-style-type: none"> <li>▪ Sekačka je nastavená tak, aby sekala příliš velké množství trávy najednou.</li> </ul>	<ul style="list-style-type: none"> <li>▪ Zvyšte výšku sečení.</li> </ul>



PROBLÉM	PŘÍČINA	ŘEŠENÍ
Nadměrné vibrace.	<ul style="list-style-type: none"> <li>▪ Žací čepele jsou je uvolněné.</li> </ul>	<ul style="list-style-type: none"> <li>▪ Utáhněte šroub čepele na doporučený utahovací moment.</li> </ul>
	<ul style="list-style-type: none"> <li>▪ Čepele jsou ohnuté.</li> </ul>	<ul style="list-style-type: none"> <li>▪ Ohnuté žací čepele vyměňte podle pokynů v části „<b>VÝMĚNA ŽACÍCH ČEPELÍ</b>“.</li> </ul>
	<ul style="list-style-type: none"> <li>▪ Šasi sekačky není vyrovnané.</li> </ul>	<ul style="list-style-type: none"> <li>▪ Vyrovnejte šasi sekačky podle pokynů v části „<b>VYROVNÁNÍ ŠASI SEKAČKY</b>“.</li> </ul>
	<ul style="list-style-type: none"> <li>▪ Matice šasi sekačky na závěsu jsou uvolněné.</li> </ul>	<ul style="list-style-type: none"> <li>▪ Utáhněte matice na závěsu.</li> </ul>
	<ul style="list-style-type: none"> <li>▪ Sekačka je nastavená tak, aby sekala příliš velké množství trávy najednou.</li> </ul>	<ul style="list-style-type: none"> <li>▪ Zvyšte výšku sečení.</li> </ul>
<b>CZ</b> Na zemi zůstává po sečení tráva nebo zbytky trávy.	<ul style="list-style-type: none"> <li>▪ Sekačka je nastavená tak, aby sekala příliš velké množství trávy v případě, že je tráva vysoká.</li> </ul>	<ul style="list-style-type: none"> <li>▪ Začněte s vysokou výškou sečení a snižujte ji, dokud nedosáhnete požadovaného výsledku sečení. Trávu vyšší než 152 mm je třeba sekat dvakrát s postupně nižší výškou sečení.</li> </ul>
	<ul style="list-style-type: none"> <li>▪ Tráva je mokrá.</li> </ul>	<ul style="list-style-type: none"> <li>▪ Nesekejte mokrou trávu, počkejte, až uschne.</li> </ul>
	<ul style="list-style-type: none"> <li>▪ Rychlost jízdy je vysoká.</li> </ul>	<ul style="list-style-type: none"> <li>▪ Snižte rychlost jízdy.</li> </ul>
	<ul style="list-style-type: none"> <li>▪ Rychlost čepelí je nízká.</li> </ul>	<ul style="list-style-type: none"> <li>▪ Otáčky čepelí zvyšujte postupně.</li> </ul>
Doba chodu sekačky s dodaným akumulátorem je krátká.	<ul style="list-style-type: none"> <li>▪ Terén trávníku, stav trávy, nastavení výšky sečení, rychlost jízdy, rychlost čepelí atd. výrazně ovlivňují dobu provozu.</li> </ul>	<ul style="list-style-type: none"> <li>▪ Zvyšte výšku sečení a snižte rychlost čepelí, čímž snížíte zatížení při sečení.</li> </ul>
Sekačka neseče rovně.	<ul style="list-style-type: none"> <li>▪ Tlak v pneumatikách levého a pravého zadního kola se liší.</li> </ul>	<ul style="list-style-type: none"> <li>▪ Zkontrolujte a nastavte tlak vzduchu v obou pneumatikách zadních kol podle kapitoly „<b>SPECIFIKACE</b>“.</li> </ul>
	<ul style="list-style-type: none"> <li>▪ Rychlost jízdy levého a pravého zadního kola se liší.</li> </ul>	<ul style="list-style-type: none"> <li>▪ Kalibrujte volant podle pokynů v části „<b>KALIBRACE SYSTÉMU SLEDOVÁNÍ SEČENÍ</b>“.</li> </ul>
Pedál parkovací brzdy nelze uvolnit z brzdě polohy nebo se vrací zpět pomalu.	<ul style="list-style-type: none"> <li>▪ Do pedálu parkovací brzdy se mohly dostat nečistoty.</li> </ul>	<ul style="list-style-type: none"> <li>▪ Otevřete schránku pedálu parkovací brzdy, důkladně ji vyčistěte a opět zavřete. Znovu sešlápněte pedál parkovací brzdy a zjistěte, zda je problém vyřešen. V opačném případě se obraťte na kvalifikovaného servisního technika, který provede opravu.</li> </ul>



PROBLÉM	PŘÍČINA	ŘEŠENÍ
Sekačku nelze nabíjet přes nabíjecí port, přičemž indikátor stavu sekačky svítí trvale červeně.	<ul style="list-style-type: none"> <li>Zástrčka nabíječky není správně zasunuta do nabíjecího portu sekačky.</li> </ul>	<ul style="list-style-type: none"> <li>Znovu připojte zástrčku nabíječky a zkontrolujte, zda lze sekačku normálně nabíjet.</li> </ul>
	<ul style="list-style-type: none"> <li>Zásuvky nejsou pod napětím.</li> </ul>	<ul style="list-style-type: none"> <li>Není zapotřebí žádného úkonu. Počkejte na obnovení napájení.</li> </ul>
	<ul style="list-style-type: none"> <li>Došlo k poruše nabíječky.</li> </ul>	<ul style="list-style-type: none"> <li>Zavolejte do zákaznického servisu EGO, kde bude provedena kontrola a případná oprava nabíječky.</li> </ul>
	<ul style="list-style-type: none"> <li>Port nabíječky na sekačce je vadný.</li> </ul>	<ul style="list-style-type: none"> <li>Kontaktujte zákaznický servis společnosti EGO.</li> </ul>
Doba nabíjení přes nabíjecí port sekačky je příliš dlouhá.	<ul style="list-style-type: none"> <li>Použití adaptéru EGO ACA1000 k nabíjení vyžaduje dlouhou dobu.</li> </ul>	<ul style="list-style-type: none"> <li>Pro přímé nabíjení pojezdové sekačky s nulovým poloměrem otáčení použijte nabíječku EGO CHV1600E.</li> </ul>
Akumulátor nelze přes nabíjecí port sekačky plně nabít.	<ul style="list-style-type: none"> <li>Chyba firmwaru sekačky, baterie nebo nabíječky.</li> </ul>	<ul style="list-style-type: none"> <li>Nabíječku resetujte tak, že ji odpojíte ze zásuvky a počkáte déle než několik minut. Poté znovu připojte zástrčku ke zdroji napájení. Pokud se tím problém nevyřeší, zavolejte do zákaznického servisu EGO.</li> </ul>
Sekačku nelze po vyčištění spustit.	<ul style="list-style-type: none"> <li>Nesprávné čištění, např. do elektrických součástí, obrazovky LCD apod. se dostala voda.</li> </ul>	<ul style="list-style-type: none"> <li>Pro správné čištění sekačky postupujte podle pokynů v části „<b>OBECNÁ ÚDRŽBA</b>“.</li> </ul>
		<ul style="list-style-type: none"> <li>Pokud sekačku náhodou zasáhne déšť, nechte ji na vzduchu vyschnout nebo ji vysušte stlačeným vzduchem.</li> </ul>
Šasi sekačky se rychle zanáší.	<ul style="list-style-type: none"> <li>Šasi sekačky nebylo po předchozím použití řádně vyčištěno.</li> </ul>	<ul style="list-style-type: none"> <li>Po každém použití vyčistěte šasi sekačky podle pokynů v části „<b>ČIŠTĚNÍ ŠASI SEKAČKY POMOCÍ MYCÍHO OTVORU</b>“.</li> </ul>
Sekačka snadno ztrácí trakci při stoupání do svahu.	<ul style="list-style-type: none"> <li>Pneumatiky zadních kol jsou opotřebované.</li> </ul>	<ul style="list-style-type: none"> <li>Obraťte se na místní servis a vyměňte pneumatiky kol.</li> </ul>
	<ul style="list-style-type: none"> <li>Sečení na strmém svahu.</li> </ul>	<ul style="list-style-type: none"> <li>Sekačka by neměla být používána k sečení svahů strmějších, než je požadovaný stupeň.</li> </ul>
Při zastavení sekačky na svahu se sešlápnutým pedálem parkovací brzdy, se sekačka může sklouznout po svahu dolů.	<ul style="list-style-type: none"> <li>Součásti brzdy jsou nadměrně opotřebované v důsledku nesprávného provozu sekačky.</li> </ul>	<ul style="list-style-type: none"> <li>Pro pomoc kontaktujte zákaznický servis společnosti EGO.</li> </ul>

PROBLÉM	PŘÍČINA	ŘEŠENÍ
Při mytí šasi nevytéká z mycího otvoru žádná voda.	<ul style="list-style-type: none"> <li>Na mycím otvoru není namontována rychlospojka.</li> </ul>	<ul style="list-style-type: none"> <li>Znovu nasadte rychlospojku mycího otvoru, dokud po silném zatlačení neuslyšíte jasné cvaknutí. Pokud to nefunguje, zavolejte zákaznický servis EGO.</li> </ul>
Při ručním tlačení sekačky bez spuštění se ozývá neobvyklý zvuk.	<ul style="list-style-type: none"> <li>Zvuk vychází z magnetů uvnitř hnacího motoru.</li> </ul>	<ul style="list-style-type: none"> <li>Jde o normální jev a není třeba podnikat žádné kroky.</li> </ul>
Volantem nelze otáčet.	<ul style="list-style-type: none"> <li>Sestava volantu je zanesená nečistotami.</li> </ul>	<ul style="list-style-type: none"> <li>Zkontrolujte a odstraňte nečistoty.</li> </ul>
Sekačka se při otáčení volantem neotáčí doleva/doprava.	<ul style="list-style-type: none"> <li>Porucha elektronických nebo mechanických součástí.</li> </ul>	<ul style="list-style-type: none"> <li>Pro pomoc kontaktujte zákaznický servis společnosti EGO.</li> </ul>
Sekačka se po uvolnění plynového pedálu nezastaví.	<ul style="list-style-type: none"> <li>Zpětná dráha plynového pedálu je zanesena nečistotami.</li> </ul>	<ul style="list-style-type: none"> <li>Zkontrolujte a odstraňte nečistoty.</li> </ul>
	<ul style="list-style-type: none"> <li>Tlačítko CCS je během jízdy neúmyslně stisknuto. Sekačka je v režimu tempomatu.</li> </ul>	<ul style="list-style-type: none"> <li>Zkontrolujte, zda na displeji LCD svítí Symbol CCS, a v případě potřeby ukončete CCS. Viz kapitola „<b>POUŽÍVÁNÍ TEMPOMATU (CCS)</b>“.</li> </ul>
Funkci CCS nelze aktivovat ani vypnout.	<ul style="list-style-type: none"> <li>Tlačítko CCS není správně stisknuté.</li> </ul>	<ul style="list-style-type: none"> <li>Stiskněte tlačítko CCS, dokud se na displeji LCD nerozsvítí Symbol CCS nebo dokud nezmizí z LCD displeje.</li> </ul>
Sekačka nejede vzad, když je levá/pravá páka zatažena směrem k obsluze.	<ul style="list-style-type: none"> <li>Indikátor stavu sekačky nesvítí zeleně a sekačka není připravena k jízdě.</li> </ul>	<ul style="list-style-type: none"> <li>Postupujte podle kapitoly „<b>SPUŠTĚNÍ SEKAČKY</b>“, aby se indikátor stavu sekačky zobrazil zeleně a sekačka byla připravena k jízdě.</li> </ul>
	<ul style="list-style-type: none"> <li>Levá/pravá páka není správně vytažena směrem k obsluze.</li> </ul>	<ul style="list-style-type: none"> <li>Zatáhněte za levou nebo pravou páku nebo za obě páky současně směrem k obsluze, dokud neuslyšíte zvuk „cvaknutí“.</li> </ul>
	<ul style="list-style-type: none"> <li>Levá/pravá páka není podržena při obsluze.</li> </ul>	<ul style="list-style-type: none"> <li>Pro jízdu vzad je nutné držet alespoň jednu z pák přitaženou směrem k obsluze.</li> </ul>
	<ul style="list-style-type: none"> <li>Levá/pravá páka je rozbitá.</li> </ul>	<ul style="list-style-type: none"> <li>Obraťte se na kvalifikovaného servisního technika, který provede opravu.</li> </ul>

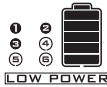
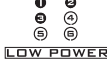


## STAV SEKAČKY & KÓDY PORUCHY

LCD displej	Popis	Kód poruchy na LCD displeji	Kontrolka stavu sekačky	Zvukový signál	Příčina	Řešení
	Na displeji LCD se zobrazí symbol LED.	Nevztahuje se.	NESVÍTÍ	Ne	Světlomety, boční světla a zadní světla se spouští pomocí spínače LED světel.	Jedná se o normální provoz. Není zapotřebí žádného úkonu.
	Na displeji LCD se zobrazí symbol USB.	Nevztahuje se.	NESVÍTÍ	Ne	Symbol USB svítí, což znamená, že zařízení USB může pracovat po správném spuštění sekačky.	Jedná se o normální provoz. Není zapotřebí žádného úkonu.
	Na displeji LCD se zobrazí symbol ukazatele stavu baterie.	Nevztahuje se.	NESVÍTÍ	Ne	Udává průměrnou kapacitu nabití vložených baterií.	Jedná se o normální provoz. Není zapotřebí žádného úkonu.
	Na displeji LCD se zobrazí symbol počítadla hodin.	Nevztahuje se.	NESVÍTÍ	Ne	Udává celkovou dobu jízdy sekačky v hodinách a nelze jej vynulovat.	Jedná se o normální provoz. Není zapotřebí žádného úkonu.
	Symbol kontrolky zatížení se zobrazuje v rozsahu ECO.	Nevztahuje se.	NESVÍTÍ	Ne	Udává aktuální zatížení sekačky.	Jedná se o normální provoz. Není zapotřebí žádného úkonu.
	Na displeji LCD se zobrazí symbol couvání.	Nevztahuje se.	NESVÍTÍ	Ne	Signalizuje, že sekačka jede dozadu.	Jedná se o normální provoz. Není zapotřebí žádného úkonu.
	Symbol pro bezpečnostní klíč bliká.	Nevztahuje se.	NESVÍTÍ	Ne	Není vložený bezpečnostní klíč.	Vložte bezpečnostní klíč, poté stiskněte a podržte tlačítko START/STOP a sekačku zapněte.
					Klíčová skříňka ovládacího panelu je rozbitá.	Opravy svěřte kvalifikovanému servisnímu technikovi.

**CZ**





LCD displej	Popis	Kód poruchy na LCD displeji	Kontrolka stavu sekačky	Zvukový signál	Příčina	Řešení
	Symbol určité přihrádky na akumulátor bliká.	Nevztahuje se.	NESVÍTÍ	Ne	Určitý akumulátor je při vybíjení nadproudový.	Není zapotřebí žádného úkonu. Sekačka může pokračovat v práci, pokud kombinovaná kapacita akumulátoru Ah, s výjimkou nadměrného proudu akumulátoru, splňuje požadavek. Jakmile se nadměrný proud akumulátoru vrátí do normálního stavu, okamžitě se připojí k napájení sekačky a symbol zmizí.
	Symbol prázdné přihrádky na akumulátor bliká.	Nevztahuje se.	NESVÍTÍ	Ne	Kapacita akumulátoru není dostatečná k tomu, aby sekačka mohla pracovat.	Pro nastartování této sekačky použijte dostatečný počet baterií EGO podle pokynů uvedených v části „ <b>PŘIPOJENÍ/ODSTRANĚNÍ AKUMULÁTORU</b> “ v tomto návodu.
	Kontrolka přetížení bliká.	Nevztahuje se.	Bliká červeně	Jedno pípnutí	<p>Motor čepelí je přetížený.</p> <p>Boční výsypný žlab je ucpaný trávou a nečistotami.</p> <p>Mezi čepelí a šasi sekačky dochází k přesahu.</p>	<p>Zvyšte výšku sečení nebo snižte rychlost jízdy, čímž snižíte zatížení sekačky.</p> <p>Po každém použití vyčistěte boční výsypný žlab.</p> <p>Zavolejte zákaznický servis společnosti EGO.</p>

LCD displej	Popis	Kód poruchy na LCD displeji	Kontrolka stavu sekačky	Zvukový signál	Příčina	Řešení
	Symbol teploty bliká.	Nevztahuje se.	NESVÍTÍ	Jedno pípnutí	Sekačka je přehřátá.	Snižte zatížení sekačky zvýšením výšky sečení nebo snížením rychlosti čepelí / pohonu. Udělejte přestávku a nechte sekačku vychladnout.
					Sekačka je příliš studená.	Neprovádějte opakované pokusy, které by mohly stroj poškodit. Sekačku a akumulátory vždy skladujte v teplém prostředí. Po zahřátí sekačku znovu spusťte.
	Symbol přehřátí a přesného obsazení prostoru pro akumulátor blikají současně.	Nevztahuje se.	NESVÍTÍ	Ne	Akumulátor v odpovídajícím prostoru. Prostor pro očíslované akumulátory je přehřátý.	1. Sekačka může pokračovat v práci, pokud kombinovaná kapacita baterie Ah, s výjimkou přehřáté baterie, splňuje požadavek. Jakmile se přehřátý akumulátor vrátí na normální teplotu, neprodleně se připojí k napájení sekačky.
						2. Pokud kombinovaná kapacita akumulátorů není dostatečná, sekačka nebude fungovat, dokud do volných přihrádek nevložíte další akumulátory.
						3. Při opětovném spuštění provozu snižte zatížení sekačky zvýšením výšky sečení nebo snížením rychlosti sečení.

LCD displej	Popis	Kód poruchy na LCD displeji	Kontrolka stavu sekačky	Zvukový signál	Příčina	Řešení
	Symboly jednotlivých obsazených přihrádek na akumulátory, kontrolky nízkého stavu napájení a grafického symbolu stavu akumulátoru blikají na displeji LCD každou 1 sekundu současně. První LED ukazatel stavu akumulátoru a sekačky také bliká.	Nevztahuje se.	Bliká červeně	Pípá, dokud nedojde ke stisknutí spínače pomocného pohonu směrem dolů.	Akumulátory jsou vybité a sekačka je v režimu nízkého stavu baterie.	Přestaňte pracovat a vraťte se do prostoru pro nabíjení akumulátoru. <b>POZNÁMKA:</b> Pokud je sekačka v režimu nízkého stavu akumulátoru, čepele se automaticky přepnou do nízkých otáček 8 a přestanou sekat. Mezitím bude sekačka vydávat zvukový signál (pípání). Obsluha by měla stisknout spínač pomocného pohonu směrem dolů, aby vypnula motory čepelí. Po zastavení čepelí přestane zvukový indikátor pípat.
	Symbol každé obsazené přihrádky na akumulátor a indikátor nízkého stavu napájení blikají každou půlveřinu, první LED ukazatel stavu paliva také bliká červeně každou půlveřinu.	Nevztahuje se.	Bliká červeně	Pípá neustále	Akumulátory jsou téměř vybité.	Sekačka okamžitě přestane pracovat. Obsluha by měla sekačku převézt do prostoru pro nabíjení akumulátoru, kde se nabije.
	Na LCD displeji bliká symbol automatického parkování.	Nevztahuje se.	NESVÍTÍ	Pípá neustále	Sekačka je zaparkována na svahu a obsluha opustí sekačku, aniž by nastavila pedál parkovací brzdy do brzděné polohy.	Nastavte brzdový pedál do brzděné polohy. Symbol automatického parkování se vypne a sekačka přestane vydávat zvukový signál (pípání).
	Na displeji LCD se zobrazí symbol brzdového pedálu	Nevztahuje se.	NESVÍTÍ	Ne	Pedál parkovací brzdy je nastaven do brzděné polohy.	Před spuštěním sekačky jej uvolněte.

CZ

**POZNÁMKA:** Pokud se na displeji LCD zobrazí chybový kód, vyjměte všechny akumulátory a po několika minutách je znovu vložte. Pokud to problém nevyřeší, postupujte podle níže uvedeného postupu pro odstranění chybového kódu.

LCD displej	Popis	Kód poruchy na LCD displeji	Kontrolka stavu sekačky	Zvukový signál	Příčina	Řešení
	Na displeji LCD se zobrazí symbol snímače sedadla	Nevztahuje se.	NESVÍTÍ	Ne	Obsluha opustí sedadlo nebo se odpojí bezpečnostní blokovací systém sedadla.	Pokud symbol svítí, i když je obsluha na sedadle, okamžitě sekačku zastavte a zkontrolujte připojení sedadla. Pokud se potvrdí, že spojení sedadla se sekačkou je v pořádku, obraťte se na kvalifikovaného servisního technika, který provede opravu.
	Bliká symbol spínače pomocného pohonu	Nevztahuje se.	NESVÍTÍ	Ne	Došlo k přerušení chodu motoru čepule za provozu a přepínač pomocného pohonu není nastaven do polohy vypnuto.	Před opětovným spuštěním sekačky stiskněte spínač pomocného pohonu dolů, aby se vypnuly motory čepelí. Viz část „ <b>ODSTRAŇOVÁNÍ ZÁVAD</b> “ v této příručce.
	Symbol obnovy napájení občas bliká.	Nevztahuje se.	NESVÍTÍ	Ne	Kinetická energie, která vzniká při brzdění nebo jízdě z kopce, se přeměňuje na elektřinu a nabíjí akumulátory.	Jedná se o normální provoz. Není zapotřebí žádného úkonu.
	Ikona tempomatu bliká	Nevztahuje se.	NESVÍTÍ	Ne	Selhala funkce CCS (tempomat).	Funkci CCS není možné nastavit, když sekačka jede velmi nízkou rychlostí nebo jede vzad.

CZ

LCD displej	Popis	Kód poruchy na LCD displeji	Kontrolka stavu sekačky	Zvukový signál	Příčina	Řešení	
Viz „Kód poruchy“.	Levý hnací motor se otáčí.	Došlo k selhání levého hnacího motoru řízeného deskou PCBA.	413	NESVÍTÍ	Jedno pípnutí	Porucha bloku PCBA	Opravy svěřte kvalifikovanému servisnímu technikovi.
		Došlo k uvolnění zástrčky (třífázové, napájecí vodič) spojující levý hnací motor s příslušnou deskou PCBA.	317	NESVÍTÍ	Jedno pípnutí	Uvolněné spojení	
		Došlo k uvolnění zástrčky (šestikolíkové, signální vodič) spojující levý hnací motor s příslušnou deskou PCBA.	301	NESVÍTÍ	Jedno pípnutí	Uvolněné spojení	
		Levý hnací motor přestal fungovat.	317	NESVÍTÍ	Jedno pípnutí	Porucha motoru	

CZ



LCD displej	Popis	Kód poruchy na LCD displeji	Kontrolka stavu sekačky	Zvukový signál	Příčina	Řešení	
Viz „Kód poruchy“.	Pravý hnací motor selhává při otáčení	Došlo k selhání pravého hnacího motoru řízeného deskou PCBA.	313	NESVÍTÍ	Jedno pípnutí	Porucha bloku PCBA	Opravy svěťte kvalifikovanému servisnímu technikovi.
		Došlo k uvolnění zástrčky (třífázové, napájecí vodič) spojující pravý hnací motor s příslušnou deskou PCBA.	417	NESVÍTÍ	Jedno pípnutí	Uvolněné spojení	
		Došlo k uvolnění zástrčky (šestikolíkovej, signální vodič) spojující pravý hnací motor s příslušnou deskou PCBA.	401	NESVÍTÍ	Jedno pípnutí	Uvolněné spojení	
		Pravý hnací motor přestal fungovat.	417	NESVÍTÍ	Jedno pípnutí	Porucha motoru	
Viz „Kód poruchy“.	Levý motor čepele se neotáčí	Došlo k selhání levého motoru čepele řízeného deskou PCBA	607	Nevztahuje se.	Jedno pípnutí	Porucha bloku PCBA	Opravy svěťte kvalifikovanému servisnímu technikovi.
		Došlo k uvolnění zástrčky (třífázovej, napájecí vodič) spojující levý motor čepele s příslušnou deskou PCBA.	509	Nevztahuje se.	Jedno pípnutí	Uvolněné spojení	Nejprve zkontrolujte čepele. Pokud je uvolněný, utáhněťte šroub doporučeným utahovacím momentem. V opačném případě svěťte opravy kvalifikovanému servisnímu technikovi.
		Levý motor čepele nefunguje.	509	Nevztahuje se.	Jedno pípnutí	Porucha motoru	

LCD displej	Popis		Kód poruchy na LCD displeji	Kontrolka stavu sekačky	Zvukový signál	Příčina	Řešení
Viz „Kód poruchy“.	Pravý motor čepele se neotáčí	Došlo k selhání pravého motoru čepele řízeného deskou PCBA	507	Nevztahuje se.	Jedno pípnutí	Porucha bloku PCBA	Opravy svěřte kvalifikovanému servisnímu technikovi.
		Došlo k uvolnění zástrčky (třífázové, napájecí vodič) spojující pravý motor čepele s příslušnou deskou PCBA.	609	Nevztahuje se.	Jedno pípnutí	Uvolněné spojení	Nejprve zkontrolujte čepele. Pokud je uvolněný, utáhněte šroub doporučeným utahovacím momentem. V opačném případě svěřte opravy kvalifikovanému servisnímu technikovi.
		Pravý motor čepele nefunguje	609	Nevztahuje se.	Jedno pípnutí	Porucha motoru	
Viz „Kód poruchy“.	Selhání plynového pedálu		311/ 411 307/ 407	NESVÍTÍ	Jedno pípnutí	Porucha bloku PCBA Uvolněné spojení	Opravy svěřte kvalifikovanému servisnímu technikovi.
Viz „Kód poruchy“.	Selhání volantu		312/ 412	NESVÍTÍ	Jedno pípnutí	Porucha bloku PCBA Uvolněné spojení	Opravy svěřte kvalifikovanému servisnímu technikovi.
Viz „Kód poruchy“.	Došlo k selhání parkovací brzy, se sekačkou nelze jezdit.	Došlo k poškození bloku PCBA parkovací brzdy, který se nachází v sestavě předního rámu.	309/ 409	NESVÍTÍ	Jedno pípnutí	Porucha bloku PCBA	Opravy svěřte kvalifikovanému servisnímu technikovi.
		Došlo k přerušení spínače a/ nebo vodiče parkovací brzdy.	801	NESVÍTÍ	Jedno pípnutí	Porucha vodiče / spínače	

**CZ**

LCD displej	Popis	Kód poruchy na LCD displeji	Kontrolka stavu sekačky	Zvukový signál	Příčina	Řešení
NESVÍTÍ	Porucha nabíjecího portu	Nevztahuje se.	Svítil ČERVENĚ	Nevztahuje se.	Nabíjecí port je v rozpojeném obvodu.	Opravy světe kvalifikovanému servisnímu technikovi.
		Nevztahuje se.	Svítil ČERVENĚ	Nevztahuje se.	Sekačka není napájena.	Zkontrolujte, zda je do zásuvky přivedeno 220–240 V a zda je zásuvka v pořádku.
		Nevztahuje se.	Svítil ČERVENĚ	Nevztahuje se.	Došlo ke spálení pojistky.	Opravy světe kvalifikovanému servisnímu technikovi.
Viz „Kód poruchy“.	Porucha nabíjecího portu	204	Nevztahuje se.	Jedno pípnutí	Nabíjecí port je v rozpojeném obvodu.	Opravy světe kvalifikovanému servisnímu technikovi.
Viz „Kód poruchy“.	Nefunguje sestava akumulátorového boxu.	217	Nevztahuje se.	Jedno pípnutí	Došlo k poškození zdroje napájení ze sestavy akumulátorů. Světlo LED a USB nefungují.	Opravy světe kvalifikovanému servisnímu technikovi.
		310/410	NESVÍTÍ	Jedno pípnutí	Nefunguje spojení mezi vodiči typu C sestavy akumulátoru a ostatními vodiči typu C sekačky.	
		201/202/203	NESVÍTÍ	Jedno pípnutí	Došlo k poškození systému BMS sestavy akumulátoru.	

LCD displej	Popis	Kód poruchy na LCD displeji	Kontrolka stavu sekačky	Zvukový signál	Příčina	Řešení
Viz „Kód poruchy“.	Porucha spínače start/stop	314/ 414	NESVÍTÍ	Jedno pípnutí	Došlo k poruše spínače PCBA nebo špatnému zapojení vodičů pro spínač start/stop.	Opravy svěřte kvalifikovanému servisnímu technikovi.
Viz „Kód poruchy“.	Porucha LCD obrazovky	315/ 415	NESVÍTÍ	Jedno pípnutí	Došlo k poškození sestavy LCD displeje nebo je špatně připojen vodič sestavy LCD displeje.	Opravy svěřte kvalifikovanému servisnímu technikovi.

## ZÁRUKA

### ZÁRUKA SPOLEČNOSTI EGO

**CZ**

Úplné záruční podmínky společnosti EGO naleznete na webové stránce [egopowerplus.com](http://egopowerplus.com).

# PREČÍTAJTE SI VŠETKY POKYNY!



PREČÍTAJTE SI NÁVOD NA OBSLUHU.

## BEZPEČNOSTNÝ SYMBOL

Účelom bezpečnostných symbolov je upozorniť na možné nebezpečenstvá. Venujte príslušnú pozornosť a pochopte bezpečnostné symboly a ich vysvetlenia. Varovné symboly, samy o sebe, nedokážu eliminovať nebezpečenstvo. Pokyny a varovania, ktoré obsahujú, nie sú náhradou za vhodné opatrenia na prevenciu úrazov.

**VAROVANIE:** Pred použitím tohto nástroja si prečítajte a pochopte všetky bezpečnostné pokyny v tomto návode na obsluhu, vrátane všetkých bezpečnostných výstražných symbolov, ako sú „**NEBEZPEČENSTVO**“, „**VAROVANIE**“ a „**UPOZORNENIE**“. Nedodržanie nižšie uvedených pokynov môže mať za následok úraz elektrickým prúdom, požiar a/alebo vážne zranenie.

## VÝZNAM SYMBOLU

Táto strana zobrazuje a popisuje bezpečnostné symboly, ktoré sa objavujú na tomto výrobku. Pred pokusom o zostavenie a prevádzkovanie si prečítajte, pochopte a dodržiavajte všetky pokyny na stroji.

## BEZPEČNOSTNÉ SYMBOLY

SK



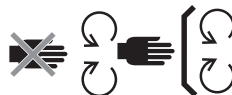
Bezpečnostné upozornenie



Prečítajte si a pochopte návod na obsluhu



Ochrana očí



Údržba bezpečnostných zariadení



NEBEZPEČENSTVO -  
Nebezpečenstvo prudkého svahu



NEBEZPEČENSTVO - Držte okolostojace osoby mimo dosahu čepelí



Nikdy nenoste deti



Pri cúvaní sa pozerajte za seba



VAROVANIE - Nepoužívajte tento stroj na svahoch so sklonom väčším ako 12°



NEBEZPEČENSTVO - Vymrštené predmety



VAROVANIE - DRŽTE RUKY A NOHY V BEZPEČNEJ VZDIALENOSTI



Garantovaná hladina akustického výkonu. Emisie hluku do prostredia podľa smernice Európskeho spoločenstva.



Nevstupujte



Odpadové elektrické výrobky sa nesmú likvidovať spolu s domovým odpadom. Odovzdajte do autorizovaného recyklačného strediska.



Tento výrobok je v súlade s platnými smernicami ES



UPOZORNENIE – Nepozerajte sa do prevádzkovej lampy.



Jednosmerný prúd



Tento výrobok je v súlade s platnou legislatívou Spojeného kráľovstva.

kPa Kilopascal

OT./MIN. Otáčky za minútu

V Volt

m Metre

v Palec

cm Centimetre

Nm Newton meter

mm Milimetre

°C Celcius

kg Kilogram

km/h Kilometre za hodinu

IPX4 Stupeň ochrany pred vniknutím

SK

## BEZPEČNOSTNÉ SYMBOLY



Informáciu je potrebné zaznamenať



Uvedená akcia sa zastaví

## TECHNICKÉ ÚDAJE

Napätie	56 V	
Veľkosť kosacej jednotky	107 cm	
Veľkosť kolesa	Predná časť	279,4 x 101,6 – 127 mm
	Zadná časť	457,2 x 241,3 – 203,2 mm
Tlak v studených pneumatikách	Predná časť	222,1 kPa
	Zadná časť	110,3 kPa
Polomer otáčania	0	
Rýchlosť čepele (ot/min)	2400; 2600; 2800; 3000	

Maximálna rýchlosť jazdy	Vpred	4,8 km/h, 8,1 km/h, 9,7 km/h, 11,3 km/h (12,8 km/h v režime Travel)
	Cúvanie	až 5,6 km/h
Nabíjanie	Nabíjačka (voliteľná)	CHV1600E
	Adaptér (voliteľný)	ACA1000
	Rozsah teplôt nabíjania	5°C – 40°C
Nastavenie výšky kosenia (10 polôh)		25 – 100 mm
Prevádzková teplota		0°C – 40°C
Skladovacia teplota		- 20°C – 70°C

Hmotnosť (bez akumulátora)	196 kg	
Nameraná hladina akustického výkonu $L_{WA}$	96,44 dB(A) K=0,68 dB(A)	
Hladina akustického tlaku na uši obsluhy $L_{PA}$	84,3 dB(A) K=3,0 dB(A)	
Garantovaná hladina akustického výkonu $L_{WA}$ (merané podľa 2000/14/ES)	100 dB(A)	
Vibrácie $a_h$	Rukoväť	1,221 m/s <sup>2</sup> K=1,5 m/s <sup>2</sup>
	Telo	0,568 m/s <sup>2</sup> K=1,5 m/s <sup>2</sup>

- Deklarovaná celková hodnota vibrácií bola meraná v súlade so štandardnou skúšobnou metódou a môže sa použiť na vzájomné porovnanie jednotlivých náradí;
- Uvádzaná celková hodnota vibrácie sa môže použiť aj na predbežný odhad expozície.

**POZNÁMKA:** Emisia vibrácií pri skutočnom používaní náradia sa môže odlišovať od deklarovanej hodnoty, pri akej sa nástroj používa; za účelom ochrany obsluhy má používateľ v skutočných podmienkach použitia nosiť rukavice a ochranu sluchu.

## ODPORÚČANÉ PRÍSLUŠENSTVO

**VAROVANIE:** Používajte iba identické náhradné diely uvedené nižšie. Používanie dielov, ktoré nespĺňajú pôvodné technické údaje zariadenia, môže mať za následok nedostatočný výkon a ohrozenie bezpečnosti.

NÁZOV DIELU	ČÍSLO MODELU
Štandardná čepeľ	AB4200
Čepeľ s vysokým zdvihom	AB4201
Mulčovacia zástrčka	AMP4200
Sada na zber trávy	ABK4200-A
Zadný nárazník	AMB1000

Nákladná skrinka	AMG1000
Slnečná clona	AMS1000

## POPIS

### SPOZNAJTE KOSAČKU (obr. A1)

1. Sedadlo
2. Nabíjací port
3. Napájacia jednotka
4. LED zadné svetlo
5. Úložný priestor
6. LED bočné svetlo
7. Zadné koleso (hnacie koleso)
8. Umývací port
9. Paluba
10. Chránič kosacej jednotky
11. Koliesko proti oskalpovaniu
12. Predné koleso
13. Pedál parkovacej brzdy
14. Svetlá na denné svietenie
15. LED svetlomety
16. Plynový pedál
17. Priestor opierky na nohy
18. Bočný vyhadzovací žľab
19. Páka pre nastavenie výšky kosacej jednotky
20. Gombík nastavenia odpruženia sedadla
21. Volant
22. Bočná skrinka na pravej strane
23. Páka na nastavenie polohy sedadla
24. Prepínač pomocného pohonu
25. Tlačidlo štart/stop
26. Bezpečnostný kľúč
27. Úložný priestor na telefón
28. Držiaky pohárov
29. Ľavá páka
30. Indikátor stavu kosačky
31. LCD obrazovka

SK

32. Pravá páka
33. Tlačidlo nastavenia rýchlosti čepele
34. Tlačidlo CCS
35. Tlačidlo režimu jazdy
36. Spínač svetiel LED
37. Tlačidlo nastavenia rýchlosti jazdy
38. Tlačidlo na uvoľnenie krytu napájacej jednotky
39. Kryt pohonnej jednotky
40. Napájacia jednotka so šiestimi priehradkami na akumulátory
41. Tlačidlo uvoľnenia akumulátora
42. Záves
43. Kryt upevnenia prídavného zariadenia
44. USB port

### SPOZNAJTE LCD OBRAZOVKU (obr. A2)

Ďalšie informácie o ikonách a indikátoroch na obrazovke LCD nájdete v časti „REFERENCIA STAVU KOSAČKY

#### SK A CHYBOVÝ KÓD“.

1. Ikona cúvania
2. Ikona CCS
3. Ikona bezpečnostného kľúča
4. Ikona LED svetiel
5. Ikona automatického parkovania
6. Ikona USB
7. Indikátor rýchlosti čepele
8. Indikátor stavu bezpečnostného zariadenia
9. Hodiny
10. Ikona prázdnej priehradky na akumulátor
11. Ikona teploty
12. Ikona obsadenej priehradky na akumulátor
13. Režim jazdy
14. Indikátor chybového kódu
15. Indikátor preťaženia
16. Indikátor nízkeho nabitia
17. Palivomer
18. Indikátor zaťaženia
19. Indikátor rýchlosti jazdy

## ROZBALENIE

**POZNÁMKA:** Obalový materiál si uschovajte, kým výrobok dôkladne neprekontrolujete a nebudete ho bezpečne ovládať. Ak nie sú na stroji namontované akékoľvek diely zo zoznamu balenia, okamžite kontaktujte servis EGO.

**POZNÁMKA:** Okrem nástrojov uvedených v zozname nižšie sú všetky ostatné odporúčané nástroje uvedené v príručkách, ale nie sú k dispozícii.

**POZNÁMKA:** Neodstraňujte penový blok pod volantom, kým nie je volant správne nainštalovaný. Vibrácie počas pohybu môžu spôsobiť poškodenie volantu.

### BALIACI LIST (OBR. B)

B-1	Pojazdová kosačka s nulovým polomerom otáčania	B-2	Sedadlo
B-3	Mulčovacia zástrčka	B-4	Skrutky s vnútorným šesťhranom (2 náhradné)
B-5	Imbusový kľúč	B-6	Nástrčkový kľúč
B-7	Vidlicový kľúč	B-8	Bezpečnostné kľúče
B-9	Rýchlospojka umývacieho portu	B-10	Návody na obsluhu

## MONTÁŽ

### INŠTALÁCIA SEDADLA (obr. C1 – C4)

**VAROVANIE:** Bezpečnostný blokovací systém sa nesmie odpojiť ani obísť. V opačnom prípade môže kosačka nepredvídateľne fungovať, čo môže viesť k zraneniu osôb.

**POZNÁMKA:** Kvôli vašej bezpečnosti môže kosačka zastaviť jazdu, pretože sa počas jazdy odpojil spínač sedadla. V takom prípade nájdete ďalšie informácie v časti „RIEŠENIE PROBLÉMOV“.



C1-1	Objímka	C1-2	Zástrčka
C1-3	Kábel	C2-1	Rameno sedadla
C2-2	Závesná základňa	C2-3	Imbusový kľúč
C2-4	Skrutky so zápusťou hlavou	C2-5	Páka na nastavenie polohy sedadla
C3-1	Oceľové koľajnice	C3-2	Imbusový kľúč
C3-3	Skrutky so zápusťou hlavou	C4-1	Háčik

### MONTÁŽ VOLANTU (obr. C5 – C6)

C5-1	Uzamykacia skrutka	C5-2	Bar
C6-1	Lokalizácia bloku	C6-2	Drážka
C6-3	Chránič volantu		

### PRÍPEVNENIE MULČOVACEJ ZÁTKY (obr. C7)

C7-1	Bočná výsypka	C7-2	Mulčovacia zástrčka
C7-3	Pohyblivá pružina		

## ADJUSTMENT

### PRED NASTAVENÍM (obr. D1)

### NASTAVENIE VÝŠKY KOSIACEHO ÚSTROJENSTVA (obr. D2)

### NASTAVENIE ANTISKALPOVÝCH KOLIES (obr. D3 – D6)

D3-1	Koliesko proti oskalpovaniu	D5-1	Matica
D5-2	Upínacia matica	D6-1	Štítok výšky kosacej jednotky

### NASTAVENIE SEDADLA (obr. D7)

D7-1	Páka na nastavenie polohy sedadla	D7-2	Gombík nastavenia odpruženia sedadla
------	-----------------------------------	------	--------------------------------------

### NASTAVENIE VOLANTU (obr. D8)

D8-1	Uzamykacia skrutka	D8-2	Bar
D8-3	Lokalizácia bloku	D8-4	Drážka

## OBSLUHA

### PRED PREVÁDZKOU (obr. E1)

### NASTAVENIE PARKOVACEJ BRZDY (obr. E2)

E2-1	Odbrzdzená pozícia	E2-2	Zabrzdzená poloha
------	--------------------	------	-------------------

**POZNÁMKA:** Nikdy nestláčajte pedál parkovacej brzdy, aby ste znížili rýchlosť. Keď je pedál parkovacej brzdy stlačený dostatočne, ale nie do úplnej parkovacej polohy, kosačka sa na rovnom povrchu prestane pohybovať, ale ak sa tak stane na svahu, kosačka sa môže zosunúť zo svahu.

### PRÍPOJENIE/ODPOJENIE AKUMULÁTORA (obr. E3 – E6)

Na spustenie tejto kosačky sú potrebné akumulátory EGO s celkovou kapacitou 15 Ah (2 X BA4200/BA4200T) alebo viac. Pre najlepší výkon odporúčame používať akumulátory EGO s celkovou kapacitou 30 Ah alebo viac.

E3-1	Tlačidlo uvoľnenia krytu	E5-1	Tlačidlo uvoľnenia akumulátora
------	--------------------------	------	--------------------------------

### NABÍJANIE KOSAČKY

Používajte iba s odporúčanými akumulátormi a nabíjačkami.

- Akumulátor(y) nabíjajte samostatne (obr. E7)

**POZNÁMKA:** Podrobné pokyny nájdete v príručke k príslušnému akumulátoru a nabíjačke.

- Nabíjanie akumulátorov cez nabíjací port (obr. E8 - E10)

E10-1	Prachový uzáver	E10-2	Nabíjací port
-------	-----------------	-------	---------------

### TESTOVANIE BEZPEČNOSTNÉHO BLOKOVACIEHO SYSTÉMU

- Testovanie systému palubných čepelí (obr. E11 - E12)

SK

b. Testovanie hnacieho systému (obr. E13 – E14)  
Ak sa kosacia jednotka a/alebo pohonný systém nezastavia, keď je používateľ mimo sedadla, a ak nie je možné určiť príčinu po potvrdení správneho pripojenia zástrčky a zásuvky sedadla, obráťte sa ihneď na zákaznícke stredisko EGO.

## KONTROLNÝ ZOZNAM PRED PREVÁDZKOU

- Zaistíte, aby bol pracovný priestor mimo detí, okoloidúcich a domácich zvierat.
- Vyčistíte pracovný priestor od predmetov, ktoré môžu byť vymrštené čepelou kosačky.
- Vyčistíte kosačku od nečistôt.
- Skontrolujte, či nie sú uvoľnené upevňovacie prvky.
- Skontrolujte, či sú všetky ochranné prvky na svojom mieste a fungujú správne.
- Vizualne skontrolujte pneumatiky, či sú nafúknuté.
- Skontrolujte činnosť brzdy.
- Nastavte výšku plošiny na požadovanú polohu kosenia, ktorá je najvhodnejšia pre trávnik, a podľa toho nastavte kolieska proti skalpovaniu.
- Upravte polohu sedadla a uistite sa, že môžete dosiahnuť na oba pedále.
- V prípade potreby nastavte volant do požadovanej polohy.
- Skontrolujte úroveň nabitia akumulátora.
- Otestujte bezpečnostný blokovací systém.

SK

## SPUSTENIE KOSAČKY (obr. E15 – obr. E16)

**VAROVANIE:** Vyhnite sa náhlym štartom, zastaveniam a zatáčkam, ako aj nadmernej rýchlosti, najmä keď sa prvýkrát učíte ovládať kosačku. Kosačka sa môže rýchlo otáčať, čo môže spôsobiť, že stratíte kontrolu a spôsobíte vážne zranenie alebo škodu.

**VAROVANIE:** Pred spustením kosačky skontrolujte a uistite sa, že nože sú vypnuté do 5 s, keď stlačíte spínač PTO smerom nadol. Ak sa čepele nezastavia, kosačku nepoužívajte a ihneď kontaktujte zákaznícky servis EGO.

**POZNÁMKA:** Postupujte podľa obr. E17 a obr. E18, aby ste získali najnižšiu rýchlosť jazdy a režim jazdy STANDARD, kým nebudete plne schopní ovládať kosačku vo všetkých situáciách.

Kosačka si pri opätovnom spustení uloží a zobrazí predchádzajúci režim jazdy, rýchlosť jazdy a kalibráciu volantu.

## NASTAVENIE JAZDNÉHO REŽIMU (obr. E17)

- **RIADENIE:** Nižšia akcelerácia, menej citlivé ovládanie a mierna rýchlosť otáčania na ochranu trávy a pre nových používateľov.
- **ŠTANDARD:** Ideálne pre každodenné použitie.
- **ŠPORT:** Vyššia akcelerácia, presná ovládateľnosť a ostré zatáčanie pre maximalizáciu účinnosti kosenia a pre nadšencov kosenia.

**POZNÁMKA:** Počas jazdy nie je možné nastaviť jazdný režim. Funkcia sa aktivuje iba vtedy, keď sú kolesá kosačky zastavené.

## Nastavenie rýchlosti jazdy (obr. E18)

**POZNÁMKA:** V režime „TURBO“ stlačte „–“, rýchlosť jazdy sa vráti do predchádzajúceho režimu.

## Nastavenie rýchlosti čepele (obr. E19)

### Svetlá LED

- Svetlomety, obrysovú svetlá a zadné svetlá sa ovládajú vypínačom LED svetiel.
- Počas jazdy vždy svietia svetlá.
- Ak sú zadné svetlá vypnuté pri cúvaní, budú blikať, aby varovali okoloidúcich; ak sú zapnuté zadné svetlá, zostanú zapnuté.
- Všetky svetlá sa automaticky vypnú, keď sa kosačka automaticky vypne po určitej dobe nečinnosti.

### USB port

**POZNÁMKA:** USB port poskytuje nabíjací výkon 5 V DC pri kombinovanom odbere 1,5 A a je napájaný iba vtedy, keď sa kosačka zapína

## ZASTAVENIE KOSAČKY (obr. E20)

**POZNÁMKA:** Po viac ako 60 minútach nečinnosti sa kosačka automaticky vypne.

### Režim núdzového chodu

Keď sa nabitie akumulátora kriticky zníži, kosačka prejde do režimu núdzového chodu, aby si ušetrila dostatok energie na cestu späť do oblasti nabíjania.

- Čepele sa prepnú na nízku rýchlosť otáčania, ktorá dokáže pokosiť len veľmi malé množstvo trávy.

Pri stretnutí s vysokou a hustou trávou sa čepele sa prestanú otáčať. Zvukový indikátor bude znieť (pípanie) prerušovane.

- Indikátor stavu kosačky bude každú sekundu blikať na červeno, indikátor nízkej spotreby a ikona akumulátora na ukazovateli paliva budú blikať.

Používateľ by mal:

- Stlačením prepínača pomocného pohonu smerom nadol vypnúť motory čepelí. Zvukový indikátor prestane znieť, keď sa motory čepelí zastavia.
- Prestať pracovať a čo najskôr sa dostať do oblasti nabíjania. Maximálna vzdialenosť, ktorú môže kosačka prejsť, je 1 000 m.

Keď je akumulátor takmer vybitý, ikona každého obsadeného priestoru pre akumulátor a indikátor nízkeho výkonu začnú blikať každú pol sekundu. Kosačka okamžite prestane pracovať. Operátor bude musieť dopraviť kosačku na nabíjajúcu plochu.

**POZNÁMKA:** Ak je potrebné manuálne zatlačenie, uistite sa, že akumulátory sú odpojené od kosačky a že pedál parkovacej brzdy je uvoľnený z brzdnej polohy.

## RIADENIE KOSAČKY (obr. E21)

**⚠ NEBEZPEČENSTVO:** Držte sa najmenej dve šírky kosenia od všetkých priekop, spádov alebo vody. Predné kolesá sa môžu otáčať, keď je kosačka zastavená, dokonca aj so zabrzdenu brzdou, a spôsobiť, že kosačka prejde cez okraj alebo do vody a spôsobí smrť alebo vážne zranenie osôb.

**⚠ VAROVANIE:** Pred cúvaním si uvedomte, čo je za kosačkou. NEKOSTE smerom dozadu, pokiaľ to nie je nevyhnutné. Pred a počas cúvania sa vždy pozerajte dole a zozadu, aby ste sa presvedčili, že do oblasti kosenia nevstupujú žiadne deti, okoloidúce alebo domáce zvieratá. Nezabudnite, že aj nepatrný zlomok sekundy stačí na to, aby spôsobil smrť alebo vážne zranenie.



**⚠ VAROVANIE:** Nepoužívajte tento stroj na verejných komunikáciách.

**⚠ VAROVANIE:** Ak dôjde k zablokovaniu alebo narazíte na cudzí predmet, zastavte motory a vyberte akumulátory. Odstráňte pokosenú trávu, lístie, nečistoty a všetky ďalšie nahromadené odpady; pred opätovným spustením

a používaním kosačky dôkladne skontrolujte, či nie je poškodená, a poškodenie opravte.

## POUŽÍVANIE TEMPOMATU (CCS)

**Aktivácia CCS počas jazdy (obr. E22)**

**POZNÁMKA:** Úroveň rýchlosti jazdy zobrazená na LCD obrazovke nemusí presne zodpovedať skutočnej rýchlosti jazdy kosačky na tempomate. Stlačením jedného z tlačidiel nastavenia rýchlosti („“ alebo „“) „obnovíte“ a upravíte úroveň rýchlosti jazdy na obrazovke LCD.

**Ak chcete ukončiť CCS a zastaviť kosačku,** môžete si vybrať jeden zo štyroch spôsobov:

- Miernie stlačte plynový pedál a potom ho uvoľnite.
- Potiahnite ľavú/pravú páku smerom k operátorovi a potom ju uvoľnite.
- Stlačte pedál parkovacej brzdy.
- Stlačte tlačidlo CCS.

**POZNÁMKA:** Stlačte plynový pedál až na doraz, aby ste dosiahli aktuálnu rýchlosť jazdy CCS, a pokračujte v stláčaní. Funkcia CCS sa zastaví a kosačka bude pokračovať v jazde aktuálnou rýchlosťou.

## ÚDRŽBA

**⚠ VAROVANIE:** Vždy používajte ochranné okuliare s bočnými štítmami. V opačnom prípade môže dôjsť k vymršteniu predmetov do očí a následnému vážnemu zraneniu.

**⚠ VAROVANIE:** Pri vykonávaní údržby čepele kosačky vždy používajte pevné rukavice alebo zabalte rezné hrany do handier alebo iných materiálov, aby ste si chránili ruky. Pri údržbe alebo preprave kosačky vždy vyberte bezpečnostný kľúč a akumulátory.

Interval údržby	Postup údržby
Pred každým použitím alebo denne	<ul style="list-style-type: none"> <li>Skontrolujte bezpečnostný blokovací systém.</li> <li>Vizuálne skontrolujte pneumatiky, či sú nafúknuté.</li> <li>Skontrolujte čepele.</li> <li>Skontrolujte celý produkt, či nemá poškodené, chýbajúce alebo uvoľnené časti, ako je bočný vyhadzovací žľab, skrutky, matice, skrutky, uzávery atď., pričom sa uistíte, že všetky ochranné prvky sú na svojom mieste a fungujú správne.</li> <li>Skontrolujte a uistite sa, že plynový pedál je možné správne stlačiť a uvoľniť.</li> <li>Skontrolujte tlmič volantu. Volant by sa mal otáčať s určitým odporom.</li> </ul>
Po každom použití	<ul style="list-style-type: none"> <li>Vyčistite kosaciu jednotku</li> </ul>
Každých 25 hodín	<ul style="list-style-type: none"> <li>Skontrolujte tlak v pneumatikách.</li> </ul>
Každých 100 hodín	<ul style="list-style-type: none"> <li>Skontrolujte zadné kolesá a uistite sa, že všetky matice skrutiek sú utiahnuté odporúčaným krútiacim momentom.</li> </ul>
Každých 200 hodín	<ul style="list-style-type: none"> <li>Skontrolujte predné kolesá a zistite či sa voľne otáčajú.</li> </ul>
Pred uskladnením	<ul style="list-style-type: none"> <li>Vyberte akumulátory z kosačky.</li> <li>Vyberte bezpečnostný kľúč z kosačky.</li> <li>Vykonajte všetky vyššie uvedené postupy údržby a dôkladne vyčistite kosačku.</li> <li>Pred uskladnením skontrolujte celý výrobok, či neobsahuje poškodené, chýbajúce alebo uvoľnené časti, vymeňte alebo dotiahnite príslušné časti.</li> </ul>

**SK**

Ročne	<ul style="list-style-type: none"> <li>Skontrolujte pedál parkovacej brzdy. Vyberte akumulátor z kosačky a nastavte pedál parkovacej brzdy do brzdnéj polohy. Ručne zatlačte kosačku dopredu, aby ste zistili, či sa s kosačkou dá pohybovať alebo nie. Ak sa pohybuje, nechajte ju opraviť kvalifikovaným servisným technikom.</li> </ul>
-------	--

## CELKOVÁ ÚDRŽBA

### Čistenie krytu kosačky (obr. F1 – F2)

### Použitie umývacieho portu na čistenie kosacej jednotky (obr. F3 – F4)

F2-1	Umývací port	F2-2	Rýchlospojka umývacieho portu
F2-3	Záhradná hadica		

**POZNÁMKA:** Po dokončení čistenia kosačku úplne vypnite a potom odstráňte záhradnú hadicu a rýchlospojku.

## ÚDRŽBA KOSAČKY A ŽACÍCH ČEPELÍ

### PRÍPRAVA (obr. G1)

### Demontáž kosačky (obr. G2 – G3)

G2-1	Motorový kábel	G2-2	Rameno zavesenia
G2-3	Závlačka		

**POZNÁMKA:** Pri demontáži žacieho ústrojenstva odpojte všetky káble motora a závlačky.

### Výmena rezných čepelí (obr. G4 – G6)

G4-1	Stabilizátor	G5-1	Skrutka
G5-2	Podložka	G5-3	Píllový list
G5-4	Príruba	G5-5	Hriadeľ motora

### Vyrovnanie kosacej jednotky

#### a. Kedy vyrovnať (obr. G7 – G9)

#### b. Pred vyrovnaním

- Kontrola tlaku v studených pneumatikách (obr. G10)

- Skontrolujte čepele Podľa potreby vyberte a vymeňte opotrebované, popraskané a/alebo ohnuté čepele.
- c. **Príprava na vyrovnanie (obr. G11)**
- d. **Ako vyrovnať**
  - Nastavenie zo strany na stranu (obr. G12)
  - Na nastavenie spredu dozadu (obr. G13)

## KALIBRÁCIA SYSTÉMU SLEDOVANIA KOSAČKY (obr. H1 – H2)

**POZNÁMKA:** Pípanie zaznie raz pri spustení kalibrácie a raz po dokončení kalibrácie.

**POZNÁMKA:** Kalibrácia dokončená pre jeden z jazdných režimov („CONTROL“, „STANDARD“, „SPORT“) nemusí byť dostupná pre ostatné dva režimy. Podľa potreby nezávisle kalibrujte volant v každom jazdnom režime.

## RESETOVANIE KOSAČKY DO PÔVODNÉHO VÝROBNÉHO NASTAVENIA (obr. I)

**POZNÁMKA:** Pípanie zaznie raz pri spustení resetovania a raz po dokončení resetovania.

**POZNÁMKA:** Po úspešnom resetovaní sa nižšie uvedené nastavenia vrátia na pôvodné výrobné nastavenie:

- režim jazdy
- rýchlosť jazdy
- kalibrácia volantu

# SKLADOVANIE A DOPRAVA

## PREPRAVA KOSAČKY (obr. J1 – J5)

**POZNÁMKA:** Zabezpečte kosačku podľa potreby pomocou popruhov alebo lán, aby sa zabránilo pohybu počas prepravy.

## SKLADOVANIE (obr. K1 - K2)

**POZNÁMKA:** Vyberte akumulátory a uložte ich podľa príslušných návodov.

Pred uskladnením kosačku vyčistite a skontrolujte. Pozrite si časti „**ČISTENIE KOSAČKY**“ a „**ODPORUČENÉ PLÁNY ÚDRŽBY**“.

## Ochrana životného prostredia



WEEE (Odpad z elektrických a elektronických zariadení) Nevyhadzujte elektrické zariadenia, nabíjačku a použité akumulátory do domového odpadu! Tento výrobok odneste na autorizované recyklačné miesto a poskytnite ho na separovaný zber. Elektrické náradie sa musí odovzdať do príslušného zariadenia na ekologicky šetrnú recykláciu.


SK



## ODSTRAŇOVANIE PORÚCH

PROBLÉM	PRÍČINA	RIEŠENIE
<b>SK</b> Pojazdová kosačka s nulovým polomerom otáčania nejazdí, keď je stlačený plynový pedál.	<ul style="list-style-type: none"> <li>▪ Kombinované Ah vložených akumulátorov nespĺňajú požiadavku.</li> </ul>	<ul style="list-style-type: none"> <li>▪ Na naštartovanie tejto kosačky použite dostatočný počet batérii EGO podľa pokynov uvedených v časti „<b>PRIPOJENIE/ODPOJENIE AKUMULÁTORA</b>“ v tejto príručke.</li> </ul>
	<ul style="list-style-type: none"> <li>▪ Pedál parkovacej brzdy je nastavený do zabrzdenej polohy.</li> </ul>	<ul style="list-style-type: none"> <li>▪ Úplne zošliapnite pedál parkovacej brzdy, aby ste ho uvoľnili zo zabrzdenej polohy.</li> </ul>
	<ul style="list-style-type: none"> <li>▪ Ľavá aj pravá páka nie sú krátko potiahnuté smerom k operátorovi, aby sa pri štartovaní kosačky rozsvietil indikátor stavu kosačky na zeleno.</li> </ul>	<ul style="list-style-type: none"> <li>▪ Súčasne potiahnite ľavú aj pravú páku smerom k operátorovi a potom ich uvoľnite. Indikátor stavu kosačky bude svietiť nazeleno, čo znamená, že kosačka je pripravená na spustenie.</li> </ul>
	<ul style="list-style-type: none"> <li>▪ Operátor nesedí na sedadle.</li> </ul>	<ul style="list-style-type: none"> <li>▪ Kosačku je možné obsluhovať iba vtedy, keď používateľ správne sedí na sedadle.</li> </ul>
	<ul style="list-style-type: none"> <li>▪ Spínač sedadla nie je správne zapojený.</li> </ul>	<ul style="list-style-type: none"> <li>▪ Vyberte akumulátor z kosačky a demontujte sedadlo v opačnom poradí, ako je uvedené v časti „<b>INŠTALÁCIA SEDAČKY</b>“ v tomto návode, aby ste sa uistili, že zástrčka kábla je správne zapojená do zásuvky na spodnej strane sedadla. Opätovne namontujte sedadlo a podľa pokynov v časti „<b>ŠTARTOVANIE KOSAČKY</b>“ reštartujte kosačku, aby ste zistili, či je možné kosačku naštartovať. Ak nie, požiadajte kvalifikovaného servisného technika o opravu.</li> </ul>
	<ul style="list-style-type: none"> <li>▪ V extrémne chladnom počasí sa funkcia jazdy nemusí úspešne spustiť z dôvodu ochrany pred nízkymi teplotami.</li> </ul>	<ul style="list-style-type: none"> <li>▪ Kosačku a akumulátor vždy skladujte v teplom prostredí. Keď je kosačka zahriata, reštartujte ju. Nerobte opakované pokusy v extrémne chladnom počasí, ktoré môžu poškodiť stroj.</li> </ul>
	<ul style="list-style-type: none"> <li>▪ Dráha akceleračného pedála je upchatá nečistotami.</li> </ul>	<ul style="list-style-type: none"> <li>▪ Skontrolujte a odstráňte nečistoty.</li> </ul>
	<ul style="list-style-type: none"> <li>▪ Porucha mechanických alebo elektronických komponentov plynového pedála.</li> </ul>	<ul style="list-style-type: none"> <li>▪ Požiadajte kvalifikovaného servisného technika o opravu.</li> </ul>

PROBLÉM	PRÍČINA	RIEŠENIE
Pojzdová kosačka s nulovým polomerom otáčania prestane jazdiť.	<ul style="list-style-type: none"> <li>▪ Ľavá / pravá páka vyžaduje „reset“.</li> </ul>	<ul style="list-style-type: none"> <li>▪ Potiahnite ľavé/pravé páky smerom k operátorovi a uvoľnite ich. Kosačka je pripravená na jazdu, keď indikátor stavu svieti nazeleno.</li> </ul>
	<ul style="list-style-type: none"> <li>▪ Porucha elektronických komponentov plynového pedálu.</li> </ul>	<ul style="list-style-type: none"> <li>▪ Požiadajte kvalifikovaného servisného technika o opravu.</li> </ul>
	<ul style="list-style-type: none"> <li>▪ Bezpečnostný blokovací systém sedadiel sa počas jazdy na nerovnom teréne odpojil.</li> </ul>	<ul style="list-style-type: none"> <li>▪ Vyberte akumulátor z kosačky a demontujte sedadlo v opačnom poradí, ako je uvedené v časti „<b>INŠTALÁCIA SEDAČKY</b>“ v tomto návode, aby ste sa uistili, že zástrčka kábla je správne zapojená do zásuvky na spodnej strane sedadla. Opätovne namontujte sedadlo a podľa pokynov v časti „<b>ŠARTOVANIE KOSAČKY</b>“ reštartujte kosačku, aby ste zistili, či je možné kosačku naštartovať. Ak nie, požiadajte kvalifikovaného servisného technika o opravu.</li> </ul>
	<ul style="list-style-type: none"> <li>▪ Hmotnosť operátora nie je na sedadle rovnomerne rozložená. Aby systém bezpečnostného blokovania sedadla správne fungoval, musí byť hmotnosť operátora na sedadle aspoň 20 kg</li> </ul>	<ul style="list-style-type: none"> <li>▪ Posadte sa správne na sedadlo, potiahnite vľavo/vpravo alebo obe páky smerom k operátorovi a uvoľnite ich, potom je kosačka pripravená na jazdu.</li> </ul>
	<ul style="list-style-type: none"> <li>▪ Na zníženie rýchlosti jazdy sa stlačí pedál parkovacej brzdy. Akonáhle je pedál parkovacej brzdy stlačený dostatočne, ale nie do parkovacej polohy, kosačka sa zastaví.</li> </ul>	<ul style="list-style-type: none"> <li>▪ V prípade potreby odpojte a znova pripojte akumulátor.</li> </ul>
Počas jazdy nie je možné nastaviť jazdný režim.	<ul style="list-style-type: none"> <li>▪ Je to funkcia pojazdovej kosačky s nulovým polomerom otáčania pre bezpečnú jazdu.</li> </ul>	<ul style="list-style-type: none"> <li>▪ Funkcia sa aktivuje iba vtedy, keď sú kolesá kosačky zastavené.</li> </ul>

PROBLÉM	PRÍČINA	RIEŠENIE
<p>Pojazdová kosačka s nulovým polomerom otáčania nedokáže spustiť čepele, keď je aktivovaný prepínač pomocného pohonu.</p>  <p>Ikona prepínača pomocného pohonu bliká</p>	<ul style="list-style-type: none"> <li>Kombinované Ah vložených akumulátorov nespĺňajú požiadavku.</li> </ul>	<ul style="list-style-type: none"> <li>Na naštartovanie tejto kosačky použite dostatočný počet batérii EGO podľa pokynov uvedených v časti „<b>PRIPOJENIE/ODPOJENIE AKUMULÁTORA</b>“ v tejto príručke.</li> </ul>
	<ul style="list-style-type: none"> <li>Prepínač pomocného pohonu nebol stlačený, keď bola kosačka naposledy vypnutá.</li> </ul>	<ul style="list-style-type: none"> <li>Stlačte prepínač pomocného pohonu nadol a potom nahor, aby ste reštartovali motory čepelí.</li> </ul>
	<ul style="list-style-type: none"> <li>Kosačka je preťažená v momente, keď sa čepele začínú otáčať, čím sa spustí vlastná ochrana motora.</li> </ul>	<ul style="list-style-type: none"> <li>Najskôr začnite kosiť trávu kosačkou pri nižšej rýchlosti čepelí a nezrýchľujte rýchlosť čepelí, kým sa nože úspešne neotáčajú.</li> </ul>
	<ul style="list-style-type: none"> <li>V extrémne chladnom počasí sa motor čepelí nemusí úspešne spustiť z dôvodu ochrany pred nízkymi teplotami.</li> </ul>	<ul style="list-style-type: none"> <li>Kosačku a akumulátor vždy skladujte v teplom prostredí. Keď je kosačka zahriata, reštartujte ju. Nerobte opakované pokusy v extrémne chladnom počasí, ktoré môžu poškodiť stroj.</li> </ul>
	<ul style="list-style-type: none"> <li>Čepeľ zasahuje do zdeformovanej kosacej jednotky.</li> </ul>	<ul style="list-style-type: none"> <li>Zavolajte do zákaznickeho servisu EGO.</li> </ul>
	<ul style="list-style-type: none"> <li>Kosačka jazdí rýchlosťou „TRAVEL“.</li> </ul>	<ul style="list-style-type: none"> <li>Keď kosačka jazdí rýchlosťou „TRAVEL“, motory čepelí sa automaticky zastavia.</li> </ul>



PROBLÉM	PRÍČINA	RIEŠENIE
Pri kosení trávy čepele prestanú fungovať.	<ul style="list-style-type: none"> <li>▪ Kosačka je preťažená.</li> </ul>	<ul style="list-style-type: none"> <li>▪ Zvýšte výšku kosacej jednotky alebo spomaľte rýchlosť jazdy, aby ste znížili zaťaženie kosačky.</li> </ul>
	<ul style="list-style-type: none"> <li>▪ Spodná časť kosacej jednotky je upchatá trávou a nečistotami.</li> </ul>	<ul style="list-style-type: none"> <li>▪ Vyčistite kosaciu jednotku a zaistite, aby mali čepele voľný pohyb.</li> </ul>
	<ul style="list-style-type: none"> <li>▪ Kosačka je prehriata.</li> </ul>	<ul style="list-style-type: none"> <li>▪ Znížte zaťaženie kosačky zvýšením výšky kosacej jednotky alebo spomalením rýchlosti čepelí a nechajte kosačku vychladnúť.</li> </ul>
	<ul style="list-style-type: none"> <li>▪ Akumulátory v priestore pre akumulátory kosačky sa prehrievajú, čo má za následok, že kombinovaná kapacita Ah všetkých vložených akumulátory nespĺňa požiadavku.</li> </ul>	<ol style="list-style-type: none"> <li>1. Kosačka môže pokračovať v práci, ak kombinovaná kapacita akumulátorov Ah, s výnimkou prehriateho akumulátora, spĺňa požiadavku. Hneď ako sa prehriaty akumulátor vráti na normálnu teplotu, okamžite sa zapojí do napájania kosačky.</li> </ol>
		<ol style="list-style-type: none"> <li>2. Ak kombinovaná hodnota Ah akumulátorov nespĺňa požiadavku, kosačka nebude fungovať, kým sa do voľných oddelení na akumulátory nevloží viac akumulátorov.</li> </ol>
		<ol style="list-style-type: none"> <li>3. Pri obnovení prevádzky znížte zaťaženie kosačky zvýšením výšky kosacej jednotky alebo spomalením kosenia.</li> </ol>
	<ul style="list-style-type: none"> <li>▪ Kosačka je v režime núdzového chodu.</li> </ul>	<ul style="list-style-type: none"> <li>▪ Keď je kosačka v režime núdzového chodu, čepele sa automaticky prepnú na nízku rýchlosť otáčania. Operátor by mal prestať pracovať a čo najskôr prejsť do oblasti nabíjania akumulátora.</li> </ul>
	<ul style="list-style-type: none"> <li>▪ Do kosačky narazí cudzí predmet, čo vedie k vlastnej ochrane motora.</li> </ul>	<ul style="list-style-type: none"> <li>▪ Stlačte prepínač pomocného pohonu nadol a potom nahor, aby ste reštartovali motory čepelí.</li> </ul>
<ul style="list-style-type: none"> <li>▪ Rýchlosť kosačky sa nastaví do režimu „TRAVEL“.</li> </ul>	<ul style="list-style-type: none"> <li>▪ Keď je rýchlosť kosačky v režime „TRAVEL“, čepelové motory sa automaticky zastavia.</li> </ul>	
Zvukový indikátor naďalej znie.	<ul style="list-style-type: none"> <li>▪ Kosačka je v režime núdzového chodu a čepele nie sú vypnuté.</li> </ul>	<ul style="list-style-type: none"> <li>▪ Stlačením prepínača pomocného pohonu nadol vypnete motory čepelí. Zvukový indikátor prestane znieť po vypnutí motorov čepelí.</li> </ul>
	<ul style="list-style-type: none"> <li>▪ Kosačka sa zastaví na svahu a operátor je mimo sedadla bez nastavenia pedálu parkovacej brzdy do brzdnej polohy.</li> </ul>	<ul style="list-style-type: none"> <li>▪ Pred opustením kosačky na svahu nastavte pedál parkovacej brzdy do brzdnej polohy.</li> </ul>

**SK**

PROBLÉM	PRÍČINA	RIEŠENIE
Keď je kosačka vypnutá, indikátory batérie stále svietia.	<ul style="list-style-type: none"> <li>Keď je kosačka vypnutá na zemi bez vybratia akumulátorov z kosačky, indikátory akumulátorov, tlačidlo štart/stop a tlačidlo CCS zostanú určitý čas rozsvietené.</li> </ul>	<ul style="list-style-type: none"> <li>Nie je potrebná žiadna akcia. Keď sa kosačka po určitom čase vypne, indikátory akumulátorov zhasnú. Konkrétny čas nájdete v časti „<b>ZASTAVENIE KOSAČKY</b>“.</li> </ul>
	<ul style="list-style-type: none"> <li>Keď je kosačka vypnutá na svahu bez toho, aby ste pedál parkovacej brzdy nastavili do polohy brzdenia, indikátory akumulátorov budú svietiť, kým sa akumulátor nevybije. Zvukový indikátor stále znie súčasne.</li> </ul>	<ul style="list-style-type: none"> <li>Pred opustením kosačky na svahu nastavte pedál parkovacej brzdy do brzdnéj polohy.</li> </ul>
LCD obrazovka sa nerozsvieti so zapnutými všetkými ikonami.	<ul style="list-style-type: none"> <li>Tlačidlo štart/stop bolo stlačené na dostatočný čas.</li> </ul>	<ul style="list-style-type: none"> <li>Na LCD obrazovke sa zobrazí „palivomer“ iba po krátkom stlačení tlačidla štart/stop.</li> </ul>
		<ul style="list-style-type: none"> <li>LCD obrazovka sa zapne po stlačení tlačidla štart/stop na dostatočne dlhý čas.</li> </ul>
Kosačka kosí nerovnomerne, s výrazným výškovým rozdielom spredu dozadu.	<ul style="list-style-type: none"> <li>Čepele sú tupé.</li> </ul>	<ul style="list-style-type: none"> <li>Nabrúste alebo vymeňte čepeľ podľa pokynov v tomto návode.</li> </ul>
	<ul style="list-style-type: none"> <li>Čepele sú ohnuté.</li> </ul>	<ul style="list-style-type: none"> <li>Zohnutú rezáciu čepelí vymeňte podľa pokynov v časti „<b>VÝMENA REZNÝCH ČEPELÍ</b>“.</li> </ul>
	<ul style="list-style-type: none"> <li>Žacie ústrojenstvo nie je vyrovnané, čo má za následok rozdielnu výšku žacej čepele.</li> </ul>	<ul style="list-style-type: none"> <li>Vyrovnajete kosaciu jednotku podľa pokynov v časti „<b>VYROVNANIE KOSACEJ JEDNOTKY</b>“.</li> </ul>
Skutočná výška kosenia trávy nie je v súlade s požadovanou výškou.	<ul style="list-style-type: none"> <li>Maticie žacieho ústrojenstva sú uvoľnené na ramene zavesenia</li> </ul>	<ul style="list-style-type: none"> <li>Postupujte podľa pokynov v časti „<b>VYROVNANIE KOSACEJ JEDNOTKY</b>“, aby ste správne nastavili prednú a zadnú časť spodnej časti kosačky a pevne utiahnite matice na ramene zavesenia.</li> </ul>
	<ul style="list-style-type: none"> <li>Žacie ústrojenstvo je poškodené alebo vážne opotrebované.</li> </ul>	<ul style="list-style-type: none"> <li>Pri výmene kosacej jednotky postupujte podľa pokynov v časti „<b>DEMONTÁŽ KOSACEJ JEDNOTKY</b>“.</li> </ul>
Kosačka nemulčuje správne.	<ul style="list-style-type: none"> <li>Mokrú odrezku trávy sú prilepené na spodnej časti žacieho ústrojenstva.</li> </ul>	<ul style="list-style-type: none"> <li>Pred kosením nechajte trávu vyschnúť.</li> </ul>
	<ul style="list-style-type: none"> <li>Kosačka je nastavená na kosenie príliš veľkého množstva trávy naraz.</li> </ul>	<ul style="list-style-type: none"> <li>Zvýšte výšku kosenia.</li> </ul>

PROBLÉM	PRÍČINA	RIEŠENIE
Nadmerné vibrácie.	<ul style="list-style-type: none"> <li>▪ Žacie čepele sú uvoľnené.</li> </ul>	<ul style="list-style-type: none"> <li>▪ Uťahnite skrutku čepele odporúčaným krútiacim momentom.</li> </ul>
	<ul style="list-style-type: none"> <li>▪ Čepele sú ohnuté.</li> </ul>	<ul style="list-style-type: none"> <li>▪ Zohnutú rezáciu čepeľ vymeňte podľa pokynov v časti „<b>VÝMENA REŽNÝCH ČEPELÍ</b>“.</li> </ul>
	<ul style="list-style-type: none"> <li>▪ Žacie ústrojenstvo nie je vyrovnané.</li> </ul>	<ul style="list-style-type: none"> <li>▪ Vyrovajte kosaciu jednotku podľa pokynov v časti „<b>VYROVNANIE KOSACEJ JEDNOTKY</b>“.</li> </ul>
	<ul style="list-style-type: none"> <li>▪ Matice kosacej jednotky sú uvoľnené na ramene zavesenia.</li> </ul>	<ul style="list-style-type: none"> <li>▪ Uťahnite matice na ramene zavesenia.</li> </ul>
	<ul style="list-style-type: none"> <li>▪ Kosačka je nastavená na kosenie príliš veľkého množstva trávy naraz.</li> </ul>	<ul style="list-style-type: none"> <li>▪ Zvýšte výšku kosenia.</li> </ul>
Po kosení zostáva na zemi tráva alebo odpad.	<ul style="list-style-type: none"> <li>▪ Kosačka je nastavená na kosenie príliš veľkého množstva trávy naraz, keď je tráva vysoká.</li> </ul>	<ul style="list-style-type: none"> <li>▪ Začnite s vysokou výškou kosenia a znižujte ju, kým nedosiahnete požadovaný výsledok kosenia. Tráva vyššia ako 152 mm by sa mala kosiť dvakrát, postupne pri nižších výškach kosenia.</li> </ul>
	<ul style="list-style-type: none"> <li>▪ Tráva je mokrá.</li> </ul>	<ul style="list-style-type: none"> <li>▪ Nekoste, ak je tráva mokrá. Počkajte, kým tráva nevyschne.</li> </ul>
	<ul style="list-style-type: none"> <li>▪ Rýchlosť jazdy je vysoká.</li> </ul>	<ul style="list-style-type: none"> <li>▪ Spomaľte rýchlosť jazdy.</li> </ul>
	<ul style="list-style-type: none"> <li>▪ Rýchlosť čepele je nízka.</li> </ul>	<ul style="list-style-type: none"> <li>▪ Postupne zvyšujte rýchlosť čepele.</li> </ul>
Krátka doba chodu kosačky s pribaleným akumulátorom.	<ul style="list-style-type: none"> <li>▪ Terén trávnik, stav trávy, nastavenie výšky kosenia, rýchlosť jazdy, rýchlosť čepeleí atď. výrazne ovplyvňujú čas prevádzky.</li> </ul>	<ul style="list-style-type: none"> <li>▪ Zvýšte výšku kosenia kosačky a spomaľte rýchlosť čepele, aby ste znížili zaťaženie pri kosení.</li> </ul>
Kosačka nejazdí priamo.	<ul style="list-style-type: none"> <li>▪ Tlak v pneumatikách pre ľavé a pravé zadné koleso je odlišný.</li> </ul>	<ul style="list-style-type: none"> <li>▪ Skontrolujte a upravte tlak vzduchu v pneumatikách oboch zadných kolies podľa časti „<b>ŠPECIFIKÁCIE</b>“.</li> </ul>
	<ul style="list-style-type: none"> <li>▪ Rýchlosť jazdy pre ľavé a pravé zadné koleso je rozdielna.</li> </ul>	<ul style="list-style-type: none"> <li>▪ Nakalibrujte volant podľa pokynov v časti „<b>KALIBRÁCIA SYSTÉMU SLEDOVANIA KOSAČKY</b>“.</li> </ul>
Pedál parkovacej brzdy nie je možné uvoľniť z brzdenej polohy alebo sa pomaly pohybuje späť.	<ul style="list-style-type: none"> <li>▪ Do pedála parkovacej brzdy sa môžu dostať nečistoty.</li> </ul>	<ul style="list-style-type: none"> <li>▪ Otvorte skriňu pedála parkovacej brzdy, aby ste dôkladne vyčistili schránku vo vnútri a potom ju zatvorte. Resetujte pedál parkovacej brzdy, aby ste zistili, či sa problém vyriešil. Ak nie, požiadajte kvalifikovaného servisného technika o opravu.</li> </ul>

PROBLÉM	PRÍČINA	RIEŠENIE
Kosačku nemožno nabíjať cez nabíjací port, keď indikátor stavu kosačky svieti na červeno.	<ul style="list-style-type: none"> <li>Zástrčka nabíjačky nie je správne zasunutá do nabíjacieho portu na kosačke.</li> </ul>	<ul style="list-style-type: none"> <li>Znovu zapojte nabíjačku, aby ste zistili, či je možné kosačku normálne nabíjať.</li> </ul>
	<ul style="list-style-type: none"> <li>V sieťových zásuvkách nie je napájanie.</li> </ul>	<ul style="list-style-type: none"> <li>Nie je potrebná žiadna akcia. Počkajte, kým sa napájanie neobnoví.</li> </ul>
	<ul style="list-style-type: none"> <li>Porucha nabíjačky.</li> </ul>	<ul style="list-style-type: none"> <li>Zavolajte do zákazníckeho servisu EGO na kontrolu a v prípade potreby nechajte nabíjačku opraviť.</li> </ul>
	<ul style="list-style-type: none"> <li>Port nabíjačky na kosačke je poškodený.</li> </ul>	<ul style="list-style-type: none"> <li>Zavolajte do zákazníckeho servisu EGO.</li> </ul>
Doba nabíjania cez nabíjací port kosačky je príliš dlhá.	<ul style="list-style-type: none"> <li>Použitie EGO adaptéra ACA1000 na nabíjanie vyžaduje dlhý čas.</li> </ul>	<ul style="list-style-type: none"> <li>Použite nabíjačku EGO CHV1600E na priame nabíjanie pojazdovej kosačky s nulovým polomerom otáčania.</li> </ul>
Akumulátor nie je možné úplne nabiť prostredníctvom nabíjacieho portu kosačky.	<ul style="list-style-type: none"> <li>Chyba firmvéru kosačky alebo akumulátora alebo porucha nabíjačky.</li> </ul>	<ul style="list-style-type: none"> <li>Resetujte nabíjačku tak, že ju odpojíte a počkáte dlhšie ako niekoľko minút. Potom znova pripojte zástrčku k zdroju napájania. Ak sa tým problém nevyrieši, zavolajte zákaznícke centrum EGO.</li> </ul>
Po vyčistení kosačku nemožno spustiť.	<ul style="list-style-type: none"> <li>Nesprávne čistenie, napríklad vniknutie vody do elektrických komponentov, obrazovky LCD atď.</li> </ul>	<ul style="list-style-type: none"> <li>Pre správne čistenie kosačky postupujte podľa pokynov v časti „<b>VŠEOBECNÁ ÚDRŽBA</b>“.</li> </ul>
		<ul style="list-style-type: none"> <li>Ak na kosačku náhodou zaprší, nechajte ju vysušiť na vzduchu alebo ju osušte stlačeným vzduchom.</li> </ul>
Kosačka sa rýchlo upcháva.	<ul style="list-style-type: none"> <li>Kosačka nebola po predchádzajúcom použití riadne vyčistená.</li> </ul>	<ul style="list-style-type: none"> <li>Po každom použití vyčistite jednotku kosačky podľa časti „<b>POUŽITIE UMÝVACIEHO PORTU NA ČISTENIE KOSAČEJ JEDNOTKY</b>“.</li> </ul>
Pri stúpaní na svah kosačka ľahko stráca trakciu.	<ul style="list-style-type: none"> <li>Pneumatiky zadných kolies sú opotrebované.</li> </ul>	<ul style="list-style-type: none"> <li>Pri výmene pneumatík vyhľadajte miestny servis.</li> </ul>
	<ul style="list-style-type: none"> <li>Kosenie na strmom svahu.</li> </ul>	<ul style="list-style-type: none"> <li>Kosačka by sa nemala používať na kosenie svahov strmejších než požadovaný stupeň.</li> </ul>
Keď je kosačka zastavená na svahu so stlačeným pedálom parkovacej brzdy, môže sa kosačka zviezť zo svahu.	<ul style="list-style-type: none"> <li>Brzdové komponenty sú nadmerne opotrebované v dôsledku nesprávnej činnosti kosačky.</li> </ul>	<ul style="list-style-type: none"> <li>Zavolajte zákaznícke centrum EGO pre opravu.</li> </ul>

PROBLÉM	PRÍČINA	RIEŠENIE
Pri pokuse o umývanie paluby nevyteká z umývacieho otvoru žiadna voda.	<ul style="list-style-type: none"> <li>Rýchlo spojka umývacieho portu nie je správne namontovaná na umývací port.</li> </ul>	<ul style="list-style-type: none"> <li>Znovu pripevnite rýchlo spojku umývacieho portu, kým nebudete po silnom zatlačení počuť cvaknutie. Ak to nefunguje, zavolajte zákaznícke centrum EGO.</li> </ul>
Pri ručnom tlačení kosačky bez naštartovania je počuť abnormálny zvuk.	<ul style="list-style-type: none"> <li>Zvuk pochádza z magnetov vo vnútri hnacieho motora.</li> </ul>	<ul style="list-style-type: none"> <li>Je to normálne a nie sú potrebné žiadne opatrenia.</li> </ul>
Volant sa nedá otáčať.	<ul style="list-style-type: none"> <li>Zostava volantu je zanesená nečistotami.</li> </ul>	<ul style="list-style-type: none"> <li>Skontrolujte a odstráňte nečistoty.</li> </ul>
Pri otáčaní volantom sa kosačka neotáča doľava/doprava.	<ul style="list-style-type: none"> <li>Porucha elektronických alebo mechanických komponentov.</li> </ul>	<ul style="list-style-type: none"> <li>Zavolajte zákaznícke centrum EGO pre opravu.</li> </ul>
Kosačka sa nezastaví pri uvoľnení plynového pedálu.	<ul style="list-style-type: none"> <li>Spiatočka plynového pedála je zanesená nečistotami.</li> </ul>	<ul style="list-style-type: none"> <li>Skontrolujte a odstráňte nečistoty.</li> </ul>
	<ul style="list-style-type: none"> <li>Tlačidlo CCS je stlačené neúmyselne počas jazdy. Kosačka je v režime tempomatu</li> </ul>	<ul style="list-style-type: none"> <li>Skontrolujte, či na obrazovke LCD svieti ikona CCS, a podľa potreby ukončíte CCS. Pozrite si kapitolu „<b>POUŽIVANIE TEMPOMAT (CCS)</b>“</li> </ul>
Funkciu CCS nie je možné aktivovať ani vypnúť.	<ul style="list-style-type: none"> <li>Tlačidlo CCS nie je stlačené správne.</li> </ul>	<ul style="list-style-type: none"> <li>Stlačte tlačidlo CCS, kým sa ikona CCS nerozsvieti na obrazovke LCD alebo nezmizne z obrazovky LCD.</li> </ul>
Kosačka nedokáže jazdiť vzad, keď je ľavá/pravá páka potiahnutá smerom k operátorovi.	<ul style="list-style-type: none"> <li>Indikátor stavu kosačky nesvieti nazeleno a kosačka nie je pripravená na jazdu.</li> </ul>	<ul style="list-style-type: none"> <li>Postupujte podľa časti „<b>ŠTARTOVANIE KOSAČKY</b>“, aby sa indikátor stavu kosačky rozsvietil na zeleno a kosačka je pripravená na jazdu.</li> </ul>
	<ul style="list-style-type: none"> <li>Ľavá/pravá páka nie je správne pritiahnutá smerom k operátorovi.</li> </ul>	<ul style="list-style-type: none"> <li>Ťahajte ľavú alebo pravú páku alebo obe páky súčasne smerom k operátorovi, kým nezačujete „cvaknutie“.</li> </ul>
	<ul style="list-style-type: none"> <li>Ľavá/pravá páka nie je pritiahnutá smerom k operátorovi.</li> </ul>	<ul style="list-style-type: none"> <li>Pri cúvaní musí byť aspoň jedna z pák potiahnutá smerom k operátorovi.</li> </ul>
	<ul style="list-style-type: none"> <li>Ľavá/pravá páka je zlomená.</li> </ul>	<ul style="list-style-type: none"> <li>Požiadajte kvalifikovaného servisného technika o opravu.</li> </ul>

## REFERENČNÝ A CHYBOVÝ KÓD STAVU KOSAČKY

LCD obrazovka	Popis	Chybový kód na LCD	Indikátor stavu kosačky	Bzučiak	Príčina	Riešenie
	Ikona LED kontroliek sa zobrazí na LCD obrazovke.	n/a	NESVIETI	Nie	Svetlomety, obrysové svetlá a zadné svetlá sa zapínajú spínačom LED svetiel.	Toto je normálna prevádzka. Nie je potrebná žiadna akcia.
	Na LCD obrazovke sa zobrazí ikona USB.	n/a	NESVIETI	Nie	Ikona USB sa rozsvieti v prípade, že zariadenie USB môže fungovať, ak je kosačka správne spustená.	Toto je normálna prevádzka. Nie je potrebná žiadna akcia.
	Na LCD obrazovke sa zobrazí ikona ukazovateľa paliva.	n/a	NESVIETI	Nie	Udáva priemernú nabíjajúcu kapacitu vložených akumulátorov	Toto je normálna prevádzka. Nie je potrebná žiadna akcia.
	Na LCD obrazovke sa zobrazí ikona počítadla hodín.	n/a	NESVIETI	Nie	Ukazuje celkový čas jazdy kosačky v hodinách a nedá sa resetovať.	Toto je normálna prevádzka. Nie je potrebná žiadna akcia.
	Indikátor zaťaženia Ikona sa zobrazuje v rozsahu ECO.	n/a	NESVIETI	Nie	Udáva aktuálne zaťaženie kosačky.	Toto je normálna prevádzka. Nie je potrebná žiadna akcia.
	Na LCD obrazovke sa zobrazí ikona cúvania.	n/a	NESVIETI	Nie	Indikuje, že kosačka jazdí dozadu.	Toto je normálna prevádzka. Nie je potrebná žiadna akcia.
	Ikona bezpečnostného kľúča bliká.	n/a	NESVIETI	Nie	Bezpečnostný kľúč nie je zasunutý.	Vložte bezpečnostný kľúč a potom stlačte a podržte tlačidlo START/STOP, aby ste zapli kosačku.
					Zostava skrinky ovládacieho panela s kľúčom je poškodená.	Opravy nechajte vykonať kvalifikovaným servisným technikom.

SK

LCD obrazovka	Popis	Chybový kód na LCD	Indikátor stavu kosačky	Bzučiak	Príčina	Riešenie
	Ikona určitého priestoru pre akumulátory bliká.	n/a	NESVIETI	Nie	Určitý akumulátor počas vybijania je nadprúdový.	Nie je potrebná žiadna akcia. Kosačka môže pokračovať v práci, ak kombinovaná kapacita akumulátorov Ah, s výnimkou nadprúdového akumulátora, spĺňa požiadavku. Keď sa nadprúdový akumulátor vráti do normálu, okamžite sa pripojí k napájaniu kosačky a ikona zmizne.
	Ikona prázdneho priestoru pre akumulátory bliká	n/a	NESVIETI	Nie	Kapacita akumulátora nie je dostatočná na to, aby kosačka mohla pracovať.	Na naštartovanie tejto kosačky použite dostatočný počet batérií EGO podľa pokynov uvedených v časti „ <b>PRIPOJENIE/ODPOJENIE AKUMULÁTORA</b> “ v tejto príručke.
	Indikátor preťaženia bliká	n/a	Bliká na červeno	Jedno pípnutie	Motor čepele je preťažený.	Znížte zaťaženie kosačky zvýšením výšky kosenia alebo znížením rýchlosti jazdy.
					Bočný vyhadzovací žľab je upchatý trávou a nečistotami.	Po každom použití vyčistite bočný vyhadzovací žľab.
					Medzi čepeľou a kosačkou dochádza k interferencii.	Zavolajte do zákazníckeho servisu EGO.

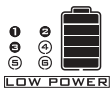
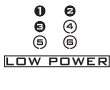


**SK**



LCD obrazovka	Popis	Chybový kód na LCD	Indikátor stavu kosačky	Bzučiak	Príčina	Riešenie
	Ikona teploty bliká.	n/a	NESVIETI	Jedno pípnutie	Kosačka je prehriata.	Znížte zaťaženie kosačky zvýšením výšky kosenia alebo spomalením rýchlosti čepeli. Urobte si prestávku a nechajte kosačku vychladnúť.
					Kosačka je príliš studená.	Nevykonávajte opakované pokusy, ktoré by mohli poškodiť stroj. Kosačku a akumulátory vždy skladujte v teplom prostredí. Keď je kosačka zahriata, reštartujte ju.
	Súčasne bliká ikona teploty a presne obsadená priehradka na akumulátory.	n/a	NESVIETI	Nie	Akumulátor v príslušnej priehradke. Očíslovaná priehradka na akumulátory je prehriata.	1. Kosačka môže pokračovať v práci, ak kombinovaná kapacita akumulátorov Ah, s výnimkou prehriateho akumulátora, spĺňa požiadavku. Hneď ako sa prehriaty akumulátor vráti na normálnu teplotu, okamžite sa zapojí do napájania kosačky.
						2. Ak kombinovaná kapacita akumulátorov Ah nespĺňa požiadavku, kosačka nebude fungovať, kým do prázdneho priestoru pre akumulátory nevložíte viac akumulátorov.
						3. Pri obnovení prevádzky znížte zaťaženie kosačky zvýšením výšky kosacej jednotky alebo spomalením kosenia.





SK



LCD obrazovka	Popis	Chybový kód na LCD	Indikátor stavu kosačky	Bzučiak	Príčina	Riešenie
	Na LCD obrazovke každú 1 sekundu súčasne blikajú ikony každého obsadeného priestoru pre akumulátory, indikátor nízkej spotreby energie a palivomer. Bliká aj prvý LED ukazovateľ stavu paliva a stavu kosačky.	n/a	Bliká na červeno	Pípanie pokračuje, kým nie je prepínač pomocného pohonu stlačený nadol.	Akumulátory sú takmer vybité a kosačka je v režime núdzového chodu.	Prestaňte pracovať a vráťte sa do oblasti pre nabíjanie akumulátorov. <b>POZNÁMKA:</b> Keď je kosačka v režime núdzového chodu, čepele sa automaticky prepnú na nízku rýchlosť otáčania 8 a medzitým bude zvukový indikátor stále pípať. Operátor by mal stlačiť prepínač pomocného pohonu smerom nadol, aby sa vypli motory čepelí. Po zastavení čepelí zvukový indikátor prestane pípať.
	Ikona každej obsadenej priehradky na akumulátory a indikátor slabej energie blikajú každú pol sekundu, prvá LED kontrolka stavu paliva bude tiež blikat' na červeno každú pol sekundu.	n/a	Bliká na červeno	Pípanie pokračuje	Akumulátory sú takmer vybité	Kosačka okamžite prestane pracovať. Používateľ by mal kosačku prepraviť do oblasti pre nabíjanie akumulátorov.
	Na LCD obrazovke bliká ikona automatického parkovania.	n/a	NESVIETI	Pípanie pokračuje	Kosačka je zaparkovaná na svahu a operátor opustí kosačku bez toho, aby nastavil pedál parkovacej brzdy do brzdennej polohy.	Nastavte brzdový pedál do zabrzdennej polohy. Ikona automatického parkovania zhasne a zvukový indikátor prestane pípať.
	Na LCD obrazovke sa zobrazí ikona brzdového pedálu	n/a	NESVIETI	Nie	Pedál parkovacej brzdy je nastavený do zabrzdennej polohy.	Pred štartovaním kosačky ju uvoľnite.

**SK**

**POZNÁMKA:** Ak sa na obrazovke LCD zobrazí chybový kód, vyberte všetky akumulátory a o niekoľko minút ich znova vložte. Ak sa tým problém nevyrieši, postupujte podľa nižšie uvedeného riešenia problémov s chybovým kódom.

LCD obrazovka	Popis	Chybový kód na LCD	Indikátor stavu kosačky	Bzučiak	Príčina	Riešenie
	Na LCD obrazovke sa zobrazí ikona senzora sedadla	n/a	NESVIETI	Nie	Operátor opustí sedadlo alebo sa odpojí bezpečnostný blokovací systém sedadla.	Ak operátor sedí na sedadle a ikona svieti, okamžite zastavte prevádzku kosačky a skontrolujte pripojenie sedadla. Ak je spojenie sedadla s kosačkou potvrdené správne, požiadajte kvalifikovaného servisného technika o opravu.
	Ikona prepínača pomocného pohonu bliká	n/a	NESVIETI	Nie	Motor čepele bol prerušený a prepínač pomocného pohonu nie je nastavený do vypnutej polohy.	Pred opätovným spustením kosačky stlačte prepínač pomocného pohonu nadol, aby ste vypili motory čepeľ. Referenčné informácie nájdete v časti „ <b>RIEŠENIE PROBLÉMOV</b> “ v tejto príručke.
	Ikona regenerácie energie občas bliká.	n/a	NESVIETI	Nie	Kinetická energia generovaná pri brzdení alebo jazde z kopca sa premieňa na elektrickú energiu na nabíjanie akumulátorov.	Toto je normálna prevádzka. Nie je potrebná žiadna akcia.
	Ikona CCS bliká	n/a	NESVIETI	Nie	Zlyhala funkcia CCS (tempomat).	Funkciu CCS nebolo možné nastaviť, keď kosačka jazdí veľmi nízkou rýchlosťou alebo cúva.

LCD obrazovka	Popis	Chybový kód na LCD	Indikátor stavu kosačky	Bzučiak	Príčina	Riešenie	
Pozrite si „Chybový kód“	Ľavý hnací motor sa otáča.	Ľavý hnací motor ovládaný PCBA zlyhá.	413	NESVIETI	Jedno pípnutie	Porucha PCBA	Opravy nechajte vykonať kvalifikovaným servisným technikom.
		Zástrčka (trojfázová, napájací vodič) spájajúca ľavý hnací motor s príslušnou PCBA je uvoľnená.	317	NESVIETI	Jedno pípnutie	Uvoľnené spojenie	
		Zástrčka (šesť kolíkov, signálny vodič) spájajúca ľavý hnací motor s príslušnou doskou PCBA je uvoľnená.	301	NESVIETI	Jedno pípnutie	Uvoľnené spojenie	
		Motor ľavého pohonu zlyhá.	317	NESVIETI	Jedno pípnutie	Porucha motora	
Pozrite si „Chybový kód“	Pravý hnací motor zlyhá pri otáčaní	Porucha pravého hnacieho motora ovládaného PCBA.	313	NESVIETI	Jedno pípnutie	Porucha PCBA	Opravy nechajte vykonať kvalifikovaným servisným technikom.
		Zástrčka (trojfázová, napájací vodič) spájajúca pravý hnací motor s príslušnou doskou PCBA je uvoľnená.	417	NESVIETI	Jedno pípnutie	Uvoľnené spojenie	
		Zástrčka (šesť kolíkov, signálny vodič) spájajúca pravý hnací motor s príslušnou doskou PCBA je uvoľnená.	401	NESVIETI	Jedno pípnutie	Uvoľnené spojenie	
		Pravý motor zlyhal.	417	NESVIETI	Jedno pípnutie	Porucha motora	

**SK**

LCD obrazovka	Popis	Chybový kód na LCD	Indikátor stavu kosačky	Bzučiak	Príčina	Riešenie	
Pozrite si „Chybový kód“	Motor ľavej čepele zlyhal pri otáčaní.	Porucha motora ľavej čepele riadeného PCBA.	607	n/a	Jedno pípnutie	Porucha PCBA	Opravy nechajte vykonať kvalifikovaným servisným technikom.
		Uvoľní sa zástrčka (trojfázová, napájací vodič) spájajúca motor ľavej čepele s príslušným PCBA.	509	n/a	Jedno pípnutie	Uvoľnené spojenie	Najprv skontrolujte čepeľ. Ak sa uvoľní, utiahnite skrutku odporúčaným krútiacim momentom. V opačnom prípade nechajte opravu vykonať kvalifikovaným servisným technikom.
		Motor ľavej čepele zlyhal	509	n/a	Jedno pípnutie	Porucha motora	
Pozrite si „Chybový kód“	Motor pravej čepele zlyhal pri otáčaní.	Porucha motora pravej čepele ovládaného PCBA.	507	n/a	Jedno pípnutie	Porucha PCBA	Opravy nechajte vykonať kvalifikovaným servisným technikom.
		Uvoľní sa zástrčka (trojfázová, napájací vodič) spájajúca motor pravej čepele s príslušným PCBA.	609	n/a	Jedno pípnutie	Uvoľnené spojenie	Najprv skontrolujte čepeľ. Ak sa uvoľní, utiahnite skrutku odporúčaným krútiacim momentom. V opačnom prípade nechajte opravu vykonať kvalifikovaným servisným technikom.
		Motor pravej čepele zlyhal	609	n/a	Jedno pípnutie	Porucha motora	
Pozrite si „Chybový kód“	Plynový pedál zlyhal	311/ 411	NESVIETI	Jedno pípnutie	Porucha PCBA	Opravy nechajte vykonať kvalifikovaným servisným technikom.	
		307/ 407			Uvoľnené spojenie		
Pozrite si „Chybový kód“	Zlyhanie volantu	312/ 412	NESVIETI	Jedno pípnutie	Porucha PCBA	Opravy nechajte vykonať kvalifikovaným servisným technikom.	
					Uvoľnené spojenie		
Pozrite si „Chybový kód“	Parkovacia brzda zlyhá, kosačku nemožno poháňať.	Parkovacia brzda PCBA, ktorá je v zostave predného rámu, je pokazená.	309/ 409	NESVIETI	Jedno pípnutie	Porucha PCBA	Opravy nechajte vykonať kvalifikovaným servisným technikom.
		Spínač parkovacej brzdy a/alebo kábel je poškodený.	801	NESVIETI	Jedno pípnutie	Porucha kábla/spínača	

**SK**

LCD obrazovka	Popis	Chybový kód na LCD	Indikátor stavu kosačky	Bzučiak	Príčina	Riešenie
NESVIETI	Porucha nabíjacieho portu	n/a	svietiaca ČERVENÁ	n/a	Nabíjací port je v otvorenom obvode.	Opravy nechajte vykonať kvalifikovaným servisným technikom.
		n/a	svietiaca ČERVENÁ	n/a	Neexistuje žiadne napájanie.	Skontrolujte sieťovú zásuvku, či je privádzané napätie 220 – 240 V alebo či je zásuvka v poriadku.
		n/a	svietiaca ČERVENÁ	n/a	Poistka je spálená.	Opravy nechajte vykonať kvalifikovaným servisným technikom.
Pozrite si „Chybový kód“	Porucha nabíjacieho portu	204	n/a	Jedno pípnutie	Nabíjací port je v otvorenom obvode.	Opravy nechajte vykonať kvalifikovaným servisným technikom.
Pozrite si „Chybový kód“	Zostava akumulátorovej skrinky nefunguje	217	n/a	Jedno pípnutie	Zdroj energie zo zostavy akumulátorovej skrinky je poškodený. LED svetlomety a USB nebudú fungovať.	Opravy nechajte vykonať kvalifikovaným servisným technikom.
		310/ 410	NESVIETI	Jedno pípnutie	Spojenie medzi káblami typu C zostavy akumulátorovej skrinky a inými káblami typu C kosačky nefunguje.	
		201/ 202/ 203	NESVIETI	Jedno pípnutie	BMS zostavy akumulátorovej skrinky je poškodený.	
Pozrite si „Chybový kód“	Porucha spínača štart/stop	314/ 414	NESVIETI	Jedno pípnutie	Prepínač PCBA zlyhal alebo je zlé pripojenie vodiča pre spínač Štart/Stop.	Opravy nechajte vykonať kvalifikovaným servisným technikom.

**SK**

LCD obrazovka	Popis	Chybový kód na LCD	Indikátor stavu kosačky	Bzučiak	Príčina	Riešenie
Pozrite si „Chybový kód“	Porucha LCD obrazovky	315/ 415	NESVIETI	Jedno pípnutie	Zostava LCD je poškodená alebo je nesprávne pripojená zostava LCD.	Opravy nechajte vykonať kvalifikovaným servisným technikom.

## ZÁRUKA

### ZÁRUČNÁ POLITIKA EGO

Navštívte webové stránky [egopowerplus.com](http://egopowerplus.com) pre úplné podmienky záručnej politiky spoločnosti EGO.

# OLVASSA EL AZ ÖSSZES UTASÍTÁST!



OLVASSA EL A HASZNÁLATI ÚTMUTATÓT

## BIZTONSÁGI SZIMBÓLUM

A biztonsági szimbólumok célja, hogy felhívják a figyelmet az esetleges veszélyekre. Nagyon figyeljen a biztonsági szimbólumokra és magyarázatokra, ill. ezek megértésére. A szimbólumok figyelmeztetései önmagukban nem hátrítják el a veszélyeket. Az utasítások és figyelmeztetések nem helyettesítik a megfelelő balesetmegelőző intézkedéseket.

**▲ FIGYELMEZTETÉS:** A szerszám használata előtt feltétlenül olvassa el és értse meg a jelen kezelési útmutatóban található valamennyi biztonsági utasítást, valamint a „VESZÉLY”, „FIGYELMEZTETÉS”, és „FIGYELEM” biztonsági figyelmeztető szimbólumokat is. Az alább felsorolt utasítások be nem tartása áramütést, tűzveszélyt és/vagy súlyos személyi sérülést idézhet elő.

## SZIMBÓLUM JELENTÉSE

Ezen az oldalon olyan biztonsági szimbólumok láthatók és olvashatók, amelyek megjelenhetnek a terméken. Az összeszerelés vagy működtetés előtt olvassa el, értse meg és tartsa be a gép minden utasítását.

## BIZTONSÁGI SZIMBÓLUMOK



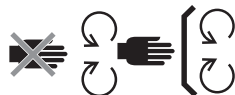
Biztonsági figyelmeztetés



Olvassa el és értelmezze a használati útmutatót



Szemvédő



Tartsa karban a biztonsági eszközöket



VESZÉLY – Meredek lejtő veszélye



VESZÉLY – Tartsa távol a nézelődőket a pengéktől



Soha ne vigyen gyerekeket



Figyeljen maga mögé, amikor hátrafelé lép



FIGYELMEZTETÉS - Ne használja a gépet 12°-osnál meredekebb lejtőn.



VESZÉLY - Repülő tárgyak



FIGYELMEZTETÉS - A KEZÉT ÉS LÁBÁT TARTSA TÁVOL



Garantált hangteljesítményszint. Az Európai Közösség irányelve szerint.

HU



Ne lépjen rá



Az elhasznált elektromos termékek nem helyezhetők a háztartási hulladékok közé. Vigye hivatalos újrahasznosító telephelyre.



A termék megfelel az érvényes EK irányelveknek



FIGYELEM - Ne nézzen a bekapcsolt lámpába



Egyenáram



Ez a termék megfelel az Egyesült Királyság hatályos jogszabályainak.

kPa	kilopascal
V	Volt
in	inch
Nm	Newton méter
°C	Celsius
km/h	Kilométer / óra

RPM	Fordulat / perc
m	méter
cm	centiméter
mm	milliméter
kg	kilogramm
IPX4	Külső behatásokkal szembeni védelem

HU

## BIZTONSÁGI SZIMBÓLUMOK



Az információkat figyelembe kell venni



A jelzett művelet leáll

## JELLEMZŐK

Feszültség	56 V	
Burkolat mérete	107 cm	
Kerék méret	Első	279,4 x 101,6 - 127 mm
	Hátsó	457,2 x 241,3 - 203,2 mm
Hideg abroncsnyomás	Első	222,1 kPa
	Hátsó	110,3 kPa
Fordulókör	0	
Kés sebesség (RPM)	2400; 2600; 2800; 3000	

Maximális haladási sebesség	Előre	4,8 km/h, 8,1 km/h, 9,7 km/h, 11,3 km/h (12,8 km/h Utazási módban)
	Hátra	max. 5.6 km/h
Töltés	Töltő (opcionális)	CHV1600E
	Adapter (opcionális)	ACA1000
	Töltési hőmérséklet tartomány	5°C - 40°C
Vágásmagasság beállítás (10 pozíció)		25 – 100 mm



Működési hőmérséklet	0°C- 40°C	
Tárolási hőmérséklet	-20°C – 70°C	
Súly (akkumulátoregység nélkül)	196 kg	
Mért hangteljesítményszint $L_{WA}$	96,44 dB(A) K=0,68 dB(A)	
Hangnyomásszint a kezelő fülénél $L_{PA}$	84,3 dB(A) K=3,0 dB(A)	
Garantált hangteljesítményszint $L_{WA}$ (a 2000/14/EK szerint mérve)	100 dB(A)	
Vibráció $a_h$	Kéz	1,221 m/s <sup>2</sup> K=1,5 m/s <sup>2</sup>
	Test	0,568 m/s <sup>2</sup> K=1,5 m/s <sup>2</sup>

- A névleges rezgési összérték mérése standard bevizsgálási módszerrel történt, és használatával a szerszámok egymással összehasonlíthatók.
- A névleges rezgési összérték a kockázat előzetes felméréséhez is felhasználható.

**MEGJEGYZÉS:** A rezgés-kibocsátás az elektromos szerszám aktuális használata közben eltérhet attól a névleges értéktől, amellyel a szerszámot használják: a kezelő védelme érdekében a használónak kesztyűt és hallásvédőt kell használnia működtetés közben.

## JAVASOLT TARTOZÉKOK

**▲ FIGYELMEZTETÉS:** Csak az alább felsorolt pótalkatrészekkel azonos alkatrészeket használjon. Az olyan alkatrészeket használata, amelyek nem felelnek meg az eredeti felszerelés műszaki adatainak, nem megfelelő teljesítményt eredményeznek, és befolyásolják a biztonságot.

ALKATRÉSZ NEVE	MODELLSZÁM
Standard kés	AB4200
Magasra emelt kés	AB4201
Mulcsozó csatlakozó	AMP4200
Fűgyűjtő készlet	ABK4200-A

Hátsó ütköző	AMB1000
Rakodódoboz	AMG1000
Napellenző	AMS1000

## LEÍRÁS

### ISMERJE MEG A FŰNYÍRÓT (A1 ábra)

1. Ülés
2. Töltő csatlakozó
3. Hajtómű
4. LED hátsó lámpa
5. Tárolórekesz
6. LED oldallámpák
7. Hátsó kerék (hajtó kerék)
8. Mosó csatlakozó
9. Burkolat
10. Burkolatvédő
11. Támasztó kerék
12. Elülső kerék
13. Rögzítőfék pedál
14. Nappali menetfény
15. LED fényszórók
16. Gázpedál
17. Lábtartó rész
18. Oldalsó fűgyűjtő rekesz
19. Burkolatmagasság-beállító kar
20. Ülészelfüggesztés-beállító fogantyú
21. Kormánykerék
22. Jobb oldali doboz
23. Ülésmagasság-beállító kar
24. PTO kapcsoló
25. Start/stop gomb
26. Biztonsági kulcs
27. Telefontartó
28. Kupaktartók
29. Bal lapát
30. Fűnyíró állapotjelző

31. LCD kijelző
32. Jobb lapát
33. Kés sebesség beállító gomb
34. CCS gomb
35. Vezetési mód gomb
36. LED világításkapcsoló
37. Haladási sebesség beállító gomb
38. Hajtóműburkolat-kioldó gomb
39. Hajtóműburkolat
40. Hajtómű hat akkumulátortartó rekesszel
41. Akkumulátor kioldógomb
42. Vonó
43. Tartozékszerelő burkolat
44. USB port

### ISMERJE MEG AZ LCD KIJELZŐT (A2 ábra)

Olvasa el a „**FŰNYÍRÓ ÁLLAPOT REFERENCIA- ÉS HIBAKÓD**” részt az LCD kijelzőn megjelenő ikonokkal és jelzésekkel kapcsolatos további információkért.

HU

1. Hátramenet ikon
2. CCS ikon
3. Biztonsági kulcs ikon
4. LED világítás ikon
5. Automatikus parkolás ikon
6. USB ikon
7. Késsebesség jelző
8. Biztonsági eszköz állapotjelző
9. Üzemóra számláló
10. Üres akkumulátortartó rekesz ikon
11. Hőmérséklet ikon
12. Foglalt akkumulátortartó rekesz ikon
13. Vezetési mód
14. Hibakód jelző
15. Túlterhelés jelző
16. Alacsony töltöttségjelző
17. Üzemanyagmérő
18. Terhelés jelző
19. Haladási sebesség jelző

## KICSOMAGOLÁS

**MEGJEGYZÉS:** Ne dobja el a csomagolóanyagot addig, amíg gondosan meg nem vizsgálta a készüléket és a működésével nem volt elégedett. Ha a csomag tartalmának listáján felsorolt bármely alkatrész a gépre van szerelve, kérjük, azonnal forduljon az EGO szervizhez.

**MEGJEGYZÉS:** Az alábbi listán szereplő eszközökön kívül a kézikönyvben említett minden egyéb eszköz csupán ajánlott, de nem képezi a csomag tartalmát.

**MEGJEGYZÉS:** Ne távolítsa el a kormánykerék alatti habszivacs blokkot a kormánykerék megfelelő felszerelése előtt. A mozgás közbeni rezgés a kormánykerék sérülését okozhatja.

### A CSOMAG TARTALMA (B ÁBRA)

B-1	Zero Turn (helyben megforduló) fűnyíró traktor	B-2	Ülés
B-3	Mulcsozó csatlakozó	B-4	Imbuszfejű csavarok (2 tartalék)
B-5	Imbuszkulcs	B-6	Dugókulcs
B-7	Villáskulcs	B-8	Biztonsági kulcsok
B-9	Mosó gyorscsatlakozó	B-10	Használati útmutató

## ÖSSZESZERELÉS

### AZ ÜLÉS BESZERELÉSE (C1 - C4 ábra)

**▲ FIGYELMEZTETÉS:** A biztonsági reteszelőrendszert tilos leválasztani vagy megkerülni. Ez a fűnyíró váratlan működését okozhatja, ami személyes sérüléshez vezethet.

**MEGJEGYZÉS:** Az Ön biztonsága érdekében előfordulhat, hogy a fűnyíró leáll, ha az üléskapcsolót vezetés közben leválasztják. Ebben az esetben további információkért olvassa el a „**HIBAELHÁRÍTÁS**” című részt.

C1-1	Aljzat	C1-2	Dugó
C1-3	Kábel	C2-1	Ülés kar
C2-2	Felfüggesztési alap	C2-3	Imbuszkulcs
C2-4	Imbuszfejű csavarok	C2-5	Ülésmagasság-beállító kar
C3-1	Acélsínek	C3-2	Imbuszkulcs
C3-3	Imbuszfejű csavarok	C4-1	Kampó

### A KORMÁNYKERÉK FELSZERELÉSE (C5 - C6 ábra)

C5-1	Zárócsavar	C5-2	Rúd
C6-1	Rögzítő blokk	C6-2	Nyílás
C6-3	Kormányvédő		

### A MULCSOZÓ CSATLAKOZÓ RÖGZÍTÉSE (C7 ábra)

C7-1	Oldalsó függőjtő rekesz	C7-2	Mulcsozó csatlakozó
C7-3	Mozgatható rugó		

## BEÁLLÍTÁS

### BEÁLLÍTÁS ELŐTT (D1 ábra)

### A VÁGÁSI BURKOLATMAGASSÁG BEÁLLÍTÁSA (D2 ábra)

### A TÁMASZTÓ KEREK BEÁLLÍTÁSA (D3 - D6 ábra)

D3-1	Támasztó kerék	D5-1	Anyá
D5-2	Füles csavar	D6-1	Burkolatmagasság címke

### AZ ÜLÉS BEÁLLÍTÁSA (D7 ábra)

D7-1	Ülésmagasság-beállító kar	D7-2	Ülésfelfüggesztés-beállító fogantyú
------	---------------------------	------	-------------------------------------

### A KORMÁNYKERÉK BEÁLLÍTÁSA (D8 ábra)

D8-1	Zárócsavar	D8-2	Rúd
D8-3	Rögzítő blokk	D8-4	Nyílás

## HASZNÁLAT

### MŰKÖDÉS ELŐTT (E1 ábra)

### A RÖGZÍTŐFÉK BEÁLLÍTÁSA (E2 ábra)

E2-1	Kioldott pozíció	E2-2	Fékezési pozíció
------	------------------	------	------------------

**MEGJEGYZÉS:** Soha ne nyomja le a rögzítőfék pedált a sebesség lassításához. Ha a rögzítőfék pedált valamennyire lenyomják, de nem teljesen a parkolási pozícióig, akkor a fűnyíró sík felületen abba hagyja a mozgást, de ha ez lejtőn történik, a fűnyíró lecsúszhat rajta.

### AZ AKKAUMULÁTOREGYSÉG CSATLAKOZTATÁSA / LEVÁLASZTÁSA (E3 - E6 ábra)

A fűnyíró beindításához összesen legalább 15 Ah (2 X BA4200T/BA4200T) teljesítményű EGO akkumulátorokra van szükség. A legjobb teljesítmény eléréséhez javasoljuk összesen legalább 30 Ah teljesítményű EGO akkumulátorok használatát.

E3-1	Burkolat kioldógomb	E5-1	Akkumulátor kioldógomb
------	---------------------	------	------------------------

### A FŰNYÍRÓ FELTÖLTÉSE

Kizárólag az ajánlott akkumulátoregységeket és töltőket használja.

- Töltse külön az akkumulátoregysége(ke)t (E7 ábra)

**MEGJEGYZÉS:** A részletes utasításokat lásd az akkumulátor és a töltő megfelelő kézikönyveiben.

- Töltse az akkumulátoregysége(ke)t a töltő csatlakozón keresztül (E8 - E10 ábra)

E10-1	Porvédő kupak	E10-2	Töltő csatlakozó
-------	---------------	-------	------------------

HU

## A BIZTONSÁGI RETESZELŐRENDSZER ELLENŐRZÉSE

- A burkolat-kés rendszer ellenőrzése (E11 - E12 ábra)
- A vezetőrendszer ellenőrzése (E13 - E14 ábra)

Ha a burkolat-kés rendszer és/vagy a vezetőrendszer nem áll le, amikor a kezelő leszáll az ülésről, és ha ennek az okát nem találják azután, hogy ellenőrzik az ülés csatlakozója és aljzata közötti csatlakozást, akkor haladéktalanul forduljon az EGO ügyfélszolgálatához.

## ELLENŐRZŐ LISTA A MŰKÖDÉS ELŐTT

- Ügyeljen arra, hogy a munkaterületen ne legyenek gyermekek, nézelődők és állatok.
- Tisztítsa meg a munkaterületet azoktól a tárgyaktól, amelyeket a fűnyíró kései elszórhatnak.
- Tisztítsa meg a fűnyírót a törmeléktől.
- Ellenőrizze, hogy nincsenek-e meglazult kötélemek.
- Ellenőrizze, hogy minden védőburkolat a helyén van, és megfelelően működik-e.
- Ellenőrizze szemrevételezéssel, hogy a gumiabroncsok fel vannak-e fújva.
- Ellenőrizze a fék működését.
- Állítsa be a burkolat magasságát a gyephez legjobban illeszkedő vágási pozícióba, és ennek megfelelően állítsa be a támasztó kerekeket.
- Állítsa be az ülés pozícióját, és győződjön meg arról, hogy mindkét pedált elérí.
- Szükség esetén állítsa a kormánykereket a kívánt pozícióba.
- Ellenőrizze az akkumulátor töltöttségi szintjét.
- Ellenőrizze a biztonsági reteszelőrendszert.

## A FŰNYÍRÓ ELINDÍTÁSA (E15 - E16 ábra)

**▲ FIGYELMEZTETÉS:** Kerülje a hirtelen indulásokat, leállításokat és fordulatokat, valamint a túlzott sebességet, különösen, amíg ismerkedik a fűnyíró kezelésével. A fűnyíró gyorsan meg tud fordulni, ami miatt elveszíheti az irányítást felette, és súlyos sérülés szenvedhet és/vagy károsodást okozhat.

**▲ FIGYELMEZTETÉS:** A fűnyíró elindítása előtt ellenőrizze és győződjön meg róla, hogy a kések ki vannak-e engedve, amikor a PTO kapcsolót lefelé nyomja. Ha a kések nem állnak le, akkor ne használja a fűnyírót, és haladéktalanul forduljon az EGO ügyfélszolgálatához.

**MEGJEGYZÉS:** A legalacsonyabb sebesség és a STANDARD vezetési mód eléréséhez kövesse az E17 és E18 ábrát, amíg teljesen meg nem ismeri a fűnyíró kezelését minden helyzetben.

A fűnyíró az újraindításkor elmenti és megjeleníti az előző vezetési módot, a haladási sebességet és a kormánykerék kalibrálását.

## A VEZETÉSI MÓD BEÁLLÍTÁSA (E17 ábra)

- **VEZÉRLÉS:** Kisebb gyorsítás, kevésbé érzékeny kezelés és finom fordulási sebesség a fű és az új felhasználó védelme érdekében.
- **STANDARD:** Tökéletes minden napi használatra.
- **SPORT:** Nagyobb gyorsítás, pontos kezelés és éles fordulatok a fűnyírási hatékonyság maximalizálása érdekében, a fűnyírás szerelmeseinek.

**MEGJEGYZÉS:** A vezetési módot nem lehet beállítani haladás közben. A funkció csak akkor aktiválható, ha a fűnyíró kerekei álló helyzetben vannak.

## A haladási sebesség beállítása (E18 ábra)

**MEGJEGYZÉS:** Ha a „TURBO” módban megnyomja a „-” lehetőséget, a haladási sebesség visszatér az előző módba.

## A kés sebességének beállítása (E19 ábra)

### LED világítás

- A fényszórókat, illetve oldalsó és hátsó lámpákat a LED világításkapcsoló vezérli.
- A menetfény vezetés közben mindig világít.
- Ha a hátsó lámpák nem égnek, akkor tolatáskor villogni kezdenek, figyelmeztetve a közelben tartózkodó személyeket; ha a hátsó világítás fel van kapcsolva, akkor pedig továbbra is világítani fog.
- Mindegyik lámpa automatikusan kialszik, amikor a fűnyíró automatikusan kikapcsol az üzemelés nélküli időszak után.

## USB port

**MEGJEGYZÉS:** Az USB port 5 V egyenáramú töltési teljesítményt biztosít, 1,5 A kombinált áramfelvétel mellett, és csak a fűnyíró indításakor kapcsol be.

## A FŰNYÍRÓ LEÁLLÍTÁSA (E20 ábra)

**MEGJEGYZÉS:** A fűnyíró automatikusan leáll, ha több mint 60 percig nem működtetik.

### Szükségfutas mód

Amikor az akkumulátor töltöttsége kritikusan alacsonnyá válik, a fűnyíró szükségfutas módba kapcsol, hogy elegendő energiát tartson fenn a töltőhelyre való visszatéréshez.

- A kések alacsony fordulatszámra kapcsolnak, amivel a fűnyíró csak nagyon kevés fűvet tud levágni. Ha magas és sűrű fűvel találkozik, a kések leállnak. A hangjelző időszakosan megszólal (sípolás).
- A fűnyíró állapotjelzője másodpercenként pirosan felvillan, az alacsony töltöttségjelző és az akkumulátor grafikája az üzemanyagmérőn is villog.

A kezelőnek a következőket kell tennie:

- Nyomja lefelé a PTO kapcsolót a késmotorok kikapcsolásához. A hangjelzés megszűnik, amikor a késmotorok leállnak.
- Hagyja abba a munkát, és a lehető leghamarabb menjen az akkumulátortöltő területre. A fűnyíró maximum 1000 m távolságot képes megtenni.

Amikor az akkumulátor már majdnem lemerül, akkor mindegyik foglalt akkumulátortartó rekesz ikonja, és az alacsony töltöttségjelző is fél másodpercenként villog. A fűnyíró működése azonnal leáll. A kezelőnek kell a fűnyírót a töltőhelyre szállítani a töltéshez.

**MEGJEGYZÉS:** Ha kézzel kell tolni, akkor ügyeljen arra, hogy az akkumulátorok le legyenek választva a fűnyíróról, és a rögzítőfék pedál ki legyen engedve a fékezési pozícióból.

## A FŰNYÍRÓ VEZETÉSE (E21 ábra)

**▲ VESZÉLY:** Maradjon legalább két fűnyírási sáv szélességre minden ároktól, szakadéktól és víztől. Az első kerekek a fűnyíró leállításakor is foroghatnak, még akkor is, ha használják a féket, így a fűnyíró a vízbe hajthat, halált vagy súlyos személyi sérülést okozva.

**▲ FIGYELMEZTETÉS:** Tolatáskor figyeljen hátra. Hátrafelé haladva NE nyírjon fűvet, kivéve ha ez feltétlenül szükséges. Mindig nézzen le és hátra tolatás előtt és közben, hogy biztosan nem érkeztek-e gyerekek, felnőttek vagy állatok a fűnyírási területre. Emlékezzen arra, hogy a másodperc töredéke alatt történő óvatlanság súlyos sérülést vagy halált okozhat.

**▲ FIGYELMEZTETÉS:** Ezt a gépet ne használja közutakon.

**▲ FIGYELMEZTETÉS:** Ha akadályba ütközik, vagy idegen tárgyba akad, állítsa le a motort, és vegye ki az akkumulátorokat. Távolítsa el a fűmaradványokat, leveleket, koszt és egyéb felhalmozódott törmelékét, nézze át alaposan, hogy nem károsodott-e a fűnyíró, és javítsa ki a sérülést, mielőtt újraindítaná és tovább használná a fűnyírót.

## A SEBESSÉGTARTÓ AUTOMATIKA (CCS) HASZNÁLATA

### A CCS aktiválása vezetés közben (E22 ábra)

**MEGJEGYZÉS:** A sebességtartó automatika módban az LCD kijelzőn megjelenő haladási sebesség-szint nem feltétlenül tükrözi pontosan a fűnyíró tényleges haladási sebességét. Nyomja meg a sebességbeállító gombok egyikét ("←" vagy "→") a "frissítéshez", és állítsa be a haladási sebesség-szintet az LCD kijelzőn.

**A CCS rendszerből való kilépéshez és a fűnyíró leállításához** az alábbi négy lehetőség közül választhat:

- Kissé nyomja le a gázpedált, majd engedje fel.
- Húzza a bal/jobbs lapátó(ka)t a kezelő felé, majd engedje el (öket).
- Ellenőrizze a rögzítőfék pedált.
- Nyomja meg a CCS gombot.

**MEGJEGYZÉS:** Nyomja le a gázpedált egészen az aktuális CCS haladási sebesség eléréséig, és tartsa lenyomva. A CCS funkció leáll, és a fűnyíró az aktuális sebességgel halad tovább.

## KARBANTARTÁS

**▲ FIGYELMEZTETÉS:** Mindig viseljen oldalsó védőlemezzel ellátott védőszemüveget. Amennyiben ezt elmulasztja, tárgyak repülhetnek a szemébe, súlyos sérülést okozva.



**▲ FIGYELMEZTETÉS:** Mindig védje a kezét nagy teherbírású kesztyűvel vagy úgy, hogy a vágóéleket betekeri rongyokba vagy más anyagokba, amikor karbantartást végez a fűnyíró pengéjén. Mindig vegye ki a biztonsági kulcsot és az akkumulátoregységeket a fűnyíró szervizelése vagy szállítása közben.

Karbantartási szerviz intervallum	Karbantartási eljárás
Minden használat előtt vagy naponta	<ul style="list-style-type: none"> <li>Ellenőrizze a biztonsági reteszelőrendszert.</li> <li>Ellenőrizze szemrevételezéssel, hogy a gumiabroncsok fel vannak-e fújva.</li> <li>Ellenőrizze a késeket.</li> <li>Ellenőrizze az egész terméket a sérült, hiányzó vagy meglazult alkatrészek, például az oldalsó fűgyűjtő rekesz, csavarok, anyák, sapkák stb. szempontjából, és győződjön meg arról, hogy minden védőelem a helyén van, és megfelelően működik-e.</li> <li>Ellenőrizze, hogy a gázpedál megfelelően lenyomható és elengedhető-e.</li> <li>Ellenőrizze a kormánykerék csillapítóját. A kormánykereket bizonyos ellenállással kell forgatni.</li> </ul>
Minden használat után	<ul style="list-style-type: none"> <li>Tisztítsa meg a fűnyíró burkolatát.</li> </ul>
25 óránként	<ul style="list-style-type: none"> <li>Ellenőrizze az abroncsnyomást.</li> </ul>
100 óránként	<ul style="list-style-type: none"> <li>Ellenőrizze a hátsó kereket, és bizonyosodjon meg róla, hogy az összes rögzítőcsavar a megfelelő nyomatékkal van meghúzva.</li> </ul>
200 óránként	<ul style="list-style-type: none"> <li>Ellenőrizze az első kerekeket, és bizonyosodjon meg róla, hogy szabadon forognak.</li> </ul>

HU

Tárolásra elrakás előtt	<ul style="list-style-type: none"> <li>Vegye ki az akkumulátorokat a fűnyíróból.</li> <li>Vegye ki a biztonsági kulcsot a fűnyíróból.</li> <li>Végezze el a fent felsorolt összes karbantartási műveletet, és alaposan tisztítsa meg a fűnyírót.</li> <li>Ellenőrizze a teljes terméket a sérült, hiányzó vagy meglazult alkatrészek szempontjából, és a tárolásra elrakás előtt cserélje ki vagy húzza meg a megfelelő alkatrészeket.</li> </ul>
Évente	<ul style="list-style-type: none"> <li>Ellenőrizze a rögzítőfék pedált. Távolítsa el az akkumulátort a fűnyíróból, és állítsa a rögzítőfék pedált fékezési pozícióba. Tolja előre kézzel a fűnyírót, és nézze meg, hogy lehet-e mozgatni. Ha elmozdul, javíttassa meg szakképzett szerviztechnikussal.</li> </ul>

## ÁLTALÁNOS KARBANTARTÁS

### A fűnyíróház tisztítása (F1 – F2 ábra)

### A mosó csatlakozó használata a fűnyíró burkolatának tisztításához (F3 - F4 ábra)

F2-1	Mosó csatlakozó	F2-2	Mosó gyorscsatlakozó
F2-3	Kerti tömlő		

**MEGJEGYZÉS:** A tisztítás befejezésekor kapcsolja ki teljesen a fűnyírót, majd vegye le a kerti tömlőt és a gyorscsatlakozót.

## A FŰNYÍRÓBURKOLAT ÉS A VÁGÓKÉESK KARBANTARTÁSA

### ELŐKÉSZÍTÉS (G1 ábra)

### A fűnyíró burkolatának eltávolítása (G2 - G3 ábra)

G2-1	Motor kábel	G2-2	Felfüggesztésrudazat
G2-3	Biztosító szeg		

**MEGJEGYZÉS:** Húzza ki az összes motor összes kábelét és a biztosító szeget, amikor eltávolítja a fűnyíró burkolatát.

#### A vágókések cseréje (G4 - G6 ábra)

G4-1	Stabilizátor	G5-1	Csavar
G5-2	Alátét	G5-3	Penge
G5-4	Karima	G5-5	Motortengely

#### A fűnyíró burkolatának színtezése

- Mikor kell színtezni (G7 - G9 ábra)**
- Színtezés előtt**
  - A hideg abroncsnyomás ellenőrzése (G10 ábra)
  - A vágókések ellenőrzése. Vegye ki és cserélje le az elhasználdott, repedt és/vagy meghajlott késeket, ha szükséges.
- A színtezés előkészítése (G11 ábra)**
- Hogyan végezzük a színtezést?**
  - Az oldalirányú beállítás elvégzése (G12 ábra)
  - Az előre-hátra irányuló beállítás elvégzése (G13 ábra)

#### A FŰNYÍRÓ NYOMKÖVETÉSI RENDSZERÉNEK KALIBRÁLÁSA (H1 - H2 ábra)

**MEGJEGYZÉS:** A hangjelző a kalibrálás elkezdésekor és befejezésekor is jelez.

**MEGJEGYZÉS:** Előfordulhat, hogy a vezetési módok ("CONTROL", "STANDARD", "SPORT") egyikéhez elvégzett kalibrálás a másik két módnál nem érhető el. Kalibrálja a kormánykereket az egyes vezetési módokban szükség szerint, egymástól függetlenül.

#### A FŰNYÍRÓ VISSZAÁLLÍTÁSA EREDETI GYÁRI BEÁLLÍTÁSOKRA (I ábra)

**MEGJEGYZÉS:** A hangjelző a visszaállítás elkezdésekor és befejezésekor is jelez.

**MEGJEGYZÉS:** Ha a visszaállítás sikeres, az alábbi beállítások visszaállnak az eredeti gyári beállításokra:

- vezetési mód
- haladási sebesség
- a kormánykerék kalibrálása

## TÁROLÁS ÉS SZÁLLÍTÁS

### A FŰNYÍRÓ SZÁLLÍTÁSA (J1 - J5 ábra)

**MEGJEGYZÉS:** Rögzítse a fűnyírót a megfelelő módon, hevederek vagy kábelek segítségével, hogy ne mozoghasson szállítás közben.

### TÁROLÁS (Ábra. K1 – K2)

**MEGJEGYZÉS:** Vegye le az akkumulátoregységeket, és tárolja akkumulátorokat a vonatkozó kézikönyvben előírt módon.

Tisztítsa és ellenőrizze le a fűnyírót tárolás előtt, olvassa el a „FŰNYÍRÓ TISZTÍTÁSA” és a „KARBANTARTÁS JAVASOLT ÜTEMEZÉSE(I)” című részt.

### Környezetvédelem



WEEE (Elektromos és elektronikus berendezések hulladékai) Ne dobja az elektromos felszerelést, az elhasznált akkumulátort és a töltőt a háztartási hulladékok közé! Vigye hivatalos újrahasznosító telephelyre, és tegye hozzáférhetővé a szelektív gyűjtéshez. Az elektromos eszközöket megfelelő környezetbarát újrahasznosító üzembe kell vinni.

HU


## HIBAEELHÁRÍTÁS

PROBLÉMA	OK	MEGOLDÁS
<p>A helyben megforduló fűnyíró traktor nem halad, amikor a gázpedált lenyomja.</p>	<ul style="list-style-type: none"> <li>A behelyezett akkumulátorok kombinált Ah értéke nem felel meg a követelménynek.</li> </ul>	<ul style="list-style-type: none"> <li>A fűnyíró elindításához használja a megfelelő EGO akkumulátort, a kézikönyv „<b>AZ AKKUMULÁTOREGYSÉG CSATLAKOZTATÁSA / LEVÁLASZTÁSA</b>” című fejezete alapján.</li> </ul>
	<ul style="list-style-type: none"> <li>A parkoló fékpedál fékezési pozícióba van állítva.</li> </ul>	<ul style="list-style-type: none"> <li>Nyomja le teljesen a parkoló fékpedált, hogy kioldja a fékezési pozícióból.</li> </ul>
	<ul style="list-style-type: none"> <li>A bal és a jobb lapátot a kezelő nem csak rövid ideig húzta maga felé, hogy a fűnyíró állapotjelzője a fűnyíró indításakor zölden világítson.</li> </ul>	<ul style="list-style-type: none"> <li>Egyszerre húzza MINDKÉT bal és jobb lapátot a kezelő felé, majd engedje el. A fűnyíró állapotjelzője zöld színnel világít, ami azt jelenti, hogy a fűnyíró készen áll az indításra.</li> </ul>
	<ul style="list-style-type: none"> <li>A kezelő nem ül az ülésen.</li> </ul>	<ul style="list-style-type: none"> <li>A kezelő csak akkor működtetheti a fűnyírót, ha helyesen ül az ülésen.</li> </ul>
	<ul style="list-style-type: none"> <li>Az üléskapcsoló nincs megfelelően csatlakoztatva.</li> </ul>	<ul style="list-style-type: none"> <li>Vegye ki az akkumulátort a fűnyíróból, és szerelje le az ülést a jelen kézikönyv „<b>AZ ÜLÉS BESZERELÉSE</b>” című fejezetében leírtakkal ellentétes sorrendben, hogy meggyőződjön arról, hogy a kábelcsatlakozó megfelelően csatlakozik az ülés alján lévő aljzathoz. Szerelje vissza az ülést, és kövesse az „<b>AFÜNYÍRÓ ELINDÍTÁSA</b>” című részben leírt utasításokat a fűnyíró újraindításához, hogy ellenőrizhesse, el lehet-e indítani a fűnyírót. Ha nem, a javításhoz forduljon szakképzett szerviztechnikushoz.</li> </ul>
	<ul style="list-style-type: none"> <li>Rendkívül hideg időjárás esetén előfordulhat, hogy a vezetési funkció nem indul el sikeresen az alacsony hőmérsékleti védelem miatt.</li> </ul>	<ul style="list-style-type: none"> <li>Mindig tartsa a fűnyírót és az akkumulátort meleg környezetben. Akkor indítsa újra a fűnyírót, ha felmelegedett. Kérjük, ne próbálkozzon többször nagyon hideg időjárás esetén, ami károsíthatja a gépet.</li> </ul>
	<ul style="list-style-type: none"> <li>A gázpedál mozgási útja eltömődött törmelékkel.</li> </ul>	<ul style="list-style-type: none"> <li>Ellenőrizze és távolítsa el a törmeléket.</li> </ul>
	<ul style="list-style-type: none"> <li>A gázpedál mechanikus vagy elektronikus alkatrészeinek meghibásodása.</li> </ul>	<ul style="list-style-type: none"> <li>A javításhoz forduljon szakképzett szerviztechnikushoz.</li> </ul>

HU



PROBLÉMA	OK	MEGOLDÁS
A helyben megforduló fűnyíró traktor megáll.	<ul style="list-style-type: none"> <li>A bal / jobb lapát visszaállítást igényel.</li> </ul>	<ul style="list-style-type: none"> <li>Húzza a bal/jobb lapátokat a kezelő felé, majd engedje el őket. Ha az állapotjelző zölden világít, akkor a fűnyíró vezetésre készen áll.</li> </ul>
	<ul style="list-style-type: none"> <li>A gázpedál elektronikus alkatrészeinek meghibásodása.</li> </ul>	<ul style="list-style-type: none"> <li>A javításhoz forduljon szakképzett szerviztechnikushoz.</li> </ul>
	<ul style="list-style-type: none"> <li>Az ülés biztonsági reteszelőrendszere durva terepen való vezetés közben kikapcsolódott.</li> </ul>	<ul style="list-style-type: none"> <li>Vegye ki az akkumulátort a fűnyíróból, és szerelje le az ülést a jelen kézikönyv "<b>AZ ÜLÉS BESZERELÉSE</b>" című fejezetében leírtakkal ellentétes sorrendben, hogy meggyőződjön arról, hogy a kábelcsatlakozó megfelelően csatlakozik az ülés alján lévő aljzathoz. Szerelje vissza az ülést, és kövesse az „<b>AFŰNYÍRÓ ELINDÍTÁSA</b>” című részben leírt utasításokat a fűnyíró újraindításához, hogy ellenőrizhesse, el lehet-e indítani a fűnyírót. Ha nem, a javításhoz forduljon szakképzett szerviztechnikushoz.</li> </ul>
	<ul style="list-style-type: none"> <li>A kezelő súlya nem egyenletesen oszlik el az ülésen. Az ülésen ülő személy súlyának legalább 20 kg-nak kell lennie ahhoz, hogy az ülés biztonsági reteszelő rendszere megfelelően működjön.</li> </ul>	<ul style="list-style-type: none"> <li>Üljön megfelelően az ülésre, húzza a bal/jobbs vagy mindkét lapátot önmaga felé, és engedje el őket, ekkor a fűnyíró készen áll a vezetésre.</li> </ul>
	<ul style="list-style-type: none"> <li>A haladási sebesség csökkentésére a rögzítőfék pedált nyomta le. Amint a rögzítőfék pedálját eléggé lenyomja, de nem parkolási helyzetbe, a fűnyíró megáll.</li> </ul>	<ul style="list-style-type: none"> <li>Szükség esetén válassza le és csatlakoztassa újra az akkumulátoregységet.</li> </ul>
A vezetési módot nem lehet beállítani haladás közben.	<ul style="list-style-type: none"> <li>A haladási sebesség csökkentésére a rögzítőfék pedált nyomta le. Amint a rögzítőfék pedálját eléggé lenyomja, de nem parkolási helyzetbe, a fűnyíró megáll.</li> </ul>	<ul style="list-style-type: none"> <li>A fűnyíró újraindításához kövesse a "<b>A FŰNYÍRÓ ELINDÍTÁSA</b>" című fejezetben leírtakat.</li> </ul>
	<ul style="list-style-type: none"> <li>Ez a helyben megforduló fűnyíró traktor biztonságos vezetését szolgáló tulajdonság.</li> </ul>	<ul style="list-style-type: none"> <li>A funkció csak akkor aktiválható, ha a fűnyíró kerekei álló helyzetben vannak.</li> </ul>

PROBLÉMA	OK	MEGOLDÁS
<p>A helyben megforduló fűnyíró traktor nem indítja el a késeket a PTO kapcsoló bekapcsolásakor.</p>  <p>A PTO kapcsoló ikon villog</p>	<ul style="list-style-type: none"> <li>A behelyezett akkumulátorok kombinált Ah értéke nem felel meg a követelménynek.</li> </ul>	<ul style="list-style-type: none"> <li>A fűnyíró elindításához használja a megfelelő EGO akkumulátort, a kézikönyv „<b>AZ AKKUMULÁTOREGYSÉG CSATLAKOZTATÁSA / LEVÁLASZTÁSA</b>” című fejezete alapján.</li> </ul>
	<ul style="list-style-type: none"> <li>A PTO kapcsoló nem volt lenyomva, amikor a fűnyírót legutóbb kikapcsolták.</li> </ul>	<ul style="list-style-type: none"> <li>Nyomja lefelé, majd felfelé a PTO kapcsolót a késmotorok újraindításához.</li> </ul>
	<ul style="list-style-type: none"> <li>A fűnyíró túlterhelt, amikor a kések elkezdnek forogni, ezért beindult a motor önvédelmi mechanizmusa.</li> </ul>	<ul style="list-style-type: none"> <li>Indítsa be a fűnyírót, először az alacsony késsebességgel, és amíg a kések forogni nem kezdenek, ne gyorsítsa a kés sebességét.</li> </ul>
	<ul style="list-style-type: none"> <li>Rendkívül hideg időjárás esetén előfordulhat, hogy a kés motorja nem indul el sikeresen az alacsony hőmérsékleti védelem miatt.</li> </ul>	<ul style="list-style-type: none"> <li>Mindig tartsa a fűnyírót és az akkumulátort meleg környezetben. Akkor indítsa újra a fűnyírót, ha felmelegedett. Kérjük, ne próbálkozzon többször nagyon hideg időjárás esetén, ami károsíthatja a gépet.</li> </ul>
	<ul style="list-style-type: none"> <li>A kések elakadnak a fűnyíró eldeformálódott burkolatában.</li> </ul>	<ul style="list-style-type: none"> <li>Forduljon az EGO ügyfélszolgálathoz.</li> </ul>
	<ul style="list-style-type: none"> <li>A fűnyíró "TRAVEL" sebességgel halad.</li> </ul>	<ul style="list-style-type: none"> <li>Amikor a fűnyíró "TRAVEL" sebességgel halad, a késmotorok automatikusan leállnak.</li> </ul>

HU

PROBLÉMA	OK	MEGOLDÁS
A kések működése fűnyírás közben leáll.	<ul style="list-style-type: none"> <li>A fűnyíró túlterhelt.</li> </ul>	<ul style="list-style-type: none"> <li>Emeljen a burkolat vágásmagasságán, vagy lassítson a menetsebességen a fűnyíró terhelésének csökkentéséhez.</li> </ul>
	<ul style="list-style-type: none"> <li>A fűnyíró eltömődött fűvel vagy hulladékkal.</li> </ul>	<ul style="list-style-type: none"> <li>Tisztítsa meg a fűnyíró burkolatát, és ellenőrizze, hogy a kések szabadon tudjanak mozogni.</li> </ul>
	<ul style="list-style-type: none"> <li>A fűnyíró túlmelegedett.</li> </ul>	<ul style="list-style-type: none"> <li>Csökkentse a fűnyíró terhelését úgy, hogy emeli a burkolat vágásmagasságát, vagy lassít a késen/ menetsebességen, és hagyja visszahúlni a fűnyírót.</li> </ul>
	<ul style="list-style-type: none"> <li>Az akkumulátoregység(ek) túlmelegedett (túlmelegedtek) a fűnyíró akkumulátortartó rekeszében, ezért a beillesztett akkumulátorok kombinált Ah értéke nem felel meg a követelményeknek.</li> </ul>	<ol style="list-style-type: none"> <li>A fűnyíró akkor tud tovább működni, ha a kombinált akkumulátor Ah értéke – a túlmelegedett akkumulátort kivéve – megfelel a követelménynek. Amikor a túlmelegedett akkumulátor visszatér normál hőmérsékletűre, akkor azonnal elkezd táplálni a fűnyírót.</li> </ol>
		<ol style="list-style-type: none"> <li>Ha az akkumulátorok kombinált Ah értéke nem felel meg a követelményeknek, akkor a fűnyíró nem fog működni, amíg még több akkumulátoregységet nem illesztenek be az akkumulátorok szabad tartórekeszeibe.</li> </ol>
		<ol style="list-style-type: none"> <li>Csökkentse a fűnyíró terhelését úgy, hogy emeli a burkolat vágásmagasságát, vagy lassít a fűnyírás sebességén, amikor újra elkezd működtetni.</li> </ol>
	<ul style="list-style-type: none"> <li>A fűnyíró szükségfutás módban van.</li> </ul>	<ul style="list-style-type: none"> <li>Amikor a fűnyíró szükségfutás módban van, a kések automatikusan alacsony forgási sebességre állnak. A kezelőnek abba kell hagynia a munkát, és a lehető leghamarabb az akkumulátortöltő területre kell mennie.</li> </ul>
	<ul style="list-style-type: none"> <li>A fűnyíró idegen tárgynak ütközött, ezért beindult a motor önvédelmi mechanizmusa.</li> </ul>	<ul style="list-style-type: none"> <li>Nyomja lefelé, majd felfelé a PTO kapcsolót a késmotorok újraindításához.</li> </ul>
<ul style="list-style-type: none"> <li>A fűnyíró sebességét „TRAVEL” üzemmódba állították.</li> </ul>	<ul style="list-style-type: none"> <li>Ha a fűnyíró sebessége „TRAVEL” üzemmódban van, a kések motorjai automatikusan leállnak.</li> </ul>	

PROBLÉMA	OK	MEGOLDÁS
A hangjelző továbbra is megszólal.	<ul style="list-style-type: none"> <li>A fűnyíró szükségfutás módban van, és a késeket nem állította le.</li> </ul>	<ul style="list-style-type: none"> <li>Nyomja le a PTO kapcsolót a késmotorok kikapcsolásához. A hangjelzés megszűnik, amikor a késmotorok kikapcsolnak.</li> </ul>
	<ul style="list-style-type: none"> <li>A fűnyíró a lejtőn leáll, a kezelő pedig kiszáll az ülésből anélkül, hogy fékezési pozícióba állította volna a rögzítőfék pedált.</li> </ul>	<ul style="list-style-type: none"> <li>Állítsa a rögzítőfék pedált fékezési pozícióba, mielőtt a lejtőn hagyná a fűnyírót.</li> </ul>
Az akkumulátor jelzőfénye a fűnyíró kikapcsolása után is világít.	<ul style="list-style-type: none"> <li>Ha a fűnyírót a sík talajon állítják le az akkumulátoregység(ek) kivétele nélkül, akkor az akkumulátor jelzőfénye, a start/stop gomb és a CCS gomb még egy ideig világít.</li> </ul>	<ul style="list-style-type: none"> <li>Művelet nem szükséges. Az akkumulátor jelzőfénye kialszanak, amikor a fűnyíró egy idő után kikapcsol. Lásd „<b>A FŰNYÍRÓ LEÁLLÍTÁSA</b>” című részt a konkrét időszakok meghatározásához.</li> </ul>
	<ul style="list-style-type: none"> <li>Ha a fűnyírót lejtős talajon állítják le úgy, hogy a rögzítőfék pedált nem állítják fékezési pozícióba, akkor az akkumulátor jelzőfénye tovább világítanak, amíg az akkumulátor le nem merül. A hangjelző ugyanakkor hangjelzést ad.</li> </ul>	<ul style="list-style-type: none"> <li>Állítsa a rögzítőfék pedált fékezési pozícióba, mielőtt a lejtőn hagyná a fűnyírót.</li> </ul>
Az LCD kijelző nem világít, amikor mindegyik ikon működésben van.	<ul style="list-style-type: none"> <li>A start/stop gombot elegendő ideig tartották lenyomva.</li> </ul>	<ul style="list-style-type: none"> <li>Az LCD kijelző csak az „Üzemanyagmérőt” jeleníti meg, amikor a start/stop gombot röviden megnyomják.</li> </ul>
		<ul style="list-style-type: none"> <li>Az LCD kijelző csak akkor kapcsol be, ha a start/stop gombot elég ideig nyomva tartják.</li> </ul>
A fűnyíró egyenetlenül vág, jelentős eltérésekkel az első és a hátsó rész között.	<ul style="list-style-type: none"> <li>A kések tompák.</li> </ul>	<ul style="list-style-type: none"> <li>Élezze meg, vagy cserélje a vágókéseket a kézikönyvben leírt módon.</li> </ul>
	<ul style="list-style-type: none"> <li>A kések elgörbültek.</li> </ul>	<ul style="list-style-type: none"> <li>Cserélje le a meghajlott vágókést a „<b>VÁGÓKÉSEK CSERÉJE</b>” című részben leírtak szerint.</li> </ul>
	<ul style="list-style-type: none"> <li>A fűnyíró burkolata nincs szintezve, ezért a vágókések magassága eltérő.</li> </ul>	<ul style="list-style-type: none"> <li>Végezze el a fűnyíró burkolatának szintezését a „<b>FŰNYÍRÓ BURKOLATÁNAK SZINTEZÉSE</b>” című részben leírtak szerint.</li> </ul>

PROBLÉMA	OK	MEGOLDÁS
A tényleges vágási magasság nem egyezik a kért magassággal.	<ul style="list-style-type: none"> <li>A fűnyíró burkolatának anyacsavarjai meglazultak a felfüggesztésrudazatnál</li> </ul>	<ul style="list-style-type: none"> <li>Kövesse a „<b>FŰNYÍRÓ BURKOLATÁNAK SZINTEZÉSE</b>” című részben leírt utasításokat a fűnyíró burkolatának előlről hátra való beállításának helyes elvégzéséhez, majd szorítsa meg az anyákat a felfüggesztés rudazatán.</li> </ul>
	<ul style="list-style-type: none"> <li>A fűnyíró burkolata sérült, vagy nagyon elkopott.</li> </ul>	<ul style="list-style-type: none"> <li>Kövesse a „<b>FŰNYÍRÓ BURKOLATÁNAK ELTÁVOLÍTÁSA</b>” című részben leírt utasításokat a fűnyíró burkolatának visszahelyezéséhez.</li> </ul>
A fűnyíró nem megfelelően aprít.	<ul style="list-style-type: none"> <li>Nedves lenyírt fű ragadt a burkolat aljára.</li> </ul>	<ul style="list-style-type: none"> <li>Fűnyírás előtt várjon, amíg a fű megszárad.</li> </ul>
	<ul style="list-style-type: none"> <li>A fűnyíró úgy van beállítva, hogy egyszerre túl sok fűvet nyírjon.</li> </ul>	<ul style="list-style-type: none"> <li>Emeljen a burkolat vágásmagasságán.</li> </ul>
Túlzott vibráció.	<ul style="list-style-type: none"> <li>A vágókések lazák.</li> </ul>	<ul style="list-style-type: none"> <li>Húzza meg a kés csavarját az ajánlott nyomatékkal.</li> </ul>
	<ul style="list-style-type: none"> <li>A kések elgörbültek.</li> </ul>	<ul style="list-style-type: none"> <li>Cserélje le a meghajlott vágókést a „<b>VÁGÓKÉSEK CSERÉJE</b>” című részben leírtak szerint.</li> </ul>
	<ul style="list-style-type: none"> <li>A fűnyíró burkolata nincs szintezve.</li> </ul>	<ul style="list-style-type: none"> <li>Végezze el a fűnyíró burkolatának szintezését a „<b>FŰNYÍRÓ BURKOLATÁNAK SZINTEZÉSE</b>” című részben leírtak szerint.</li> </ul>
	<ul style="list-style-type: none"> <li>A fűnyíró burkolatának anyacsavarjai meglazultak a felfüggesztésrudazatnál.</li> </ul>	<ul style="list-style-type: none"> <li>Húzza meg az anyákat a felfüggesztés rudazatán.</li> </ul>
	<ul style="list-style-type: none"> <li>A fűnyíró úgy van beállítva, hogy egyszerre túl sok fűvet nyírjon.</li> </ul>	<ul style="list-style-type: none"> <li>Emeljen a burkolat vágásmagasságán.</li> </ul>
Fűnyírás előtt fűmaradvány vagy törmelék van a földön.	<ul style="list-style-type: none"> <li>A fűnyíró úgy van beállítva, hogy egyszerre túl sok fűvet nyírjon, miközben a fű magas.</li> </ul>	<ul style="list-style-type: none"> <li>Kezdje magas vágásmagassággal, majd csökkentse addig, amíg eléri a kívánt fűnyírási eredményt. A 152 mm-nél magasabb fűvet kétszer kell vágni, egyre alacsonyabb vágásmagasságokkal.</li> </ul>
	<ul style="list-style-type: none"> <li>A fű nedves.</li> </ul>	<ul style="list-style-type: none"> <li>Ne vágja le a fűvet, ha nedves, amíg meg nem szárad.</li> </ul>
	<ul style="list-style-type: none"> <li>A haladási sebesség túl magas.</li> </ul>	<ul style="list-style-type: none"> <li>Lassítson a menetsebességen.</li> </ul>
	<ul style="list-style-type: none"> <li>A kés sebessége alacsony.</li> </ul>	<ul style="list-style-type: none"> <li>Fokozatosan növelje a kés sebességét.</li> </ul>

PROBLÉMA	OK	MEGOLDÁS
Rövid működési idő a mellékelt akkumulátorral.	<ul style="list-style-type: none"> <li>A gyepterepviszonyai, a fű állapota, a vágási magasság beállítása, a haladási sebesség, a kések sebessége stb. nagyban befolyásolja a működési időt.</li> </ul>	<ul style="list-style-type: none"> <li>Emeljen a burkolat vágásmagasságán, és lassítson a kés sebességén a vágási terhelés csökkentéséhez.</li> </ul>
A fűnyíró nem egyenesen követi a nyomvonalat.	<ul style="list-style-type: none"> <li>Az abroncsnyomás eltérő a bal és a jobb hátsó keréknél.</li> </ul>	<ul style="list-style-type: none"> <li>Ellenőrizze és állítsa be a légnyomást mindkét hátsó kerékabroncsban a „<b>JELLEMZŐK</b>” című fejezet szerint.</li> </ul>
	<ul style="list-style-type: none"> <li>A haladási sebesség eltérő a bal és a jobb hátsó keréknél.</li> </ul>	<ul style="list-style-type: none"> <li>Végezze el a kormánykerék kalibrálását a „<b>FŰNYÍRÓ NYOMKÖVETÉSI RENDSZERÉNEK KALIBRÁLÁSA</b>” című részben leírtak szerint.</li> </ul>
A rögzítőfék pedált nem lehet kiengedni fékezési pozícióból, vagy lassan ugrik vissza.	<ul style="list-style-type: none"> <li>Előfordulhat, hogy törmelék vagy szennyeződés került a rögzítőfék pedál belsejébe.</li> </ul>	<ul style="list-style-type: none"> <li>Nyissa fel a rögzítőfék pedál dobozát, és tisztítsa meg alaposan a doboz belsejét, majd zárja le. Állítsa vissza a rögzítőfék pedált, hogy ellenőrizhesse, megoldódott-e a probléma. Ha nem, a javításhoz forduljon szakképzett szerviztechnikushoz.</li> </ul>
<b>HU</b> A fűnyírót nem lehet tölteni a töltő csatlakozón keresztül, amikor a fűnyíró állapotjelzője állandó pirosan világít.	<ul style="list-style-type: none"> <li>A töltő csatlakozója nem megfelelően van beillesztve a fűnyíró töltő csatlakozójába.</li> </ul>	<ul style="list-style-type: none"> <li>Csatlakoztassa újra a töltő csatlakozóját, hogy ellenőrizhesse, megfelelően lehet-e tölteni a fűnyírót.</li> </ul>
	<ul style="list-style-type: none"> <li>Nincs áram a fali kimenetben.</li> </ul>	<ul style="list-style-type: none"> <li>Művelet nem szükséges. Várjon, amíg a teljesítmény helyreáll.</li> </ul>
	<ul style="list-style-type: none"> <li>A töltő hibásan működik.</li> </ul>	<ul style="list-style-type: none"> <li>Kérjen ellenőrzést az EGO ügyfélszolgálatától, és szükség esetén javíttassa meg a töltőt.</li> </ul>
	<ul style="list-style-type: none"> <li>A töltő port a fűnyírón megsérült.</li> </ul>	<ul style="list-style-type: none"> <li>Forduljon az EGO ügyfélszolgálathoz.</li> </ul>
A töltési idő a fűnyíró töltő csatlakozóján keresztül túl hosszú.	<ul style="list-style-type: none"> <li>Az ACA1000 EGO adapterrel való töltés sok időt vesz igénybe.</li> </ul>	<ul style="list-style-type: none"> <li>Használja a CHV1600E EGO töltőt a helyben megforduló fűnyíró traktor közvetlen töltéséhez.</li> </ul>
Az akkumulátort nem lehet teljesen feltölteni a fűnyíró porton keresztül.	<ul style="list-style-type: none"> <li>A fűnyíró firmware hibája vagy az akkumulátor vagy a töltő hibája.</li> </ul>	<ul style="list-style-type: none"> <li>Állítsa vissza a töltőt úgy, hogy kihúzza a kábelét, és több percig várakozik. Ezután csatlakoztassa újra a csatlakozót a tápellátáshoz. Ha ez nem oldja meg a problémát, hívja az EGO ügyfélszolgálatot.</li> </ul>
A fűnyírót nem lehet elindítani tisztítás után.	<ul style="list-style-type: none"> <li>Nem megfelelő tisztítás, például víz került az elektromos komponensekbe, az LCD kijelzőre stb.</li> </ul>	<ul style="list-style-type: none"> <li>A fűnyíró megfelelő tisztításához kövesse az „<b>ÁLTALÁNOS KARBANTARTÁS</b>” című fejezetben leírtakat.</li> </ul>
		<ul style="list-style-type: none"> <li>Ha a fűnyírót véletlenül eső éri, hagyja a levegőn száradni, vagy szárítsa sűrített levegővel.</li> </ul>

PROBLÉMA	OK	MEGOLDÁS
A fűnyíróburkolat gyorsan eltömődik.	<ul style="list-style-type: none"> <li>A fűnyíróburkolatot nem tisztították meg megfelelően az előző használat után.</li> </ul>	<ul style="list-style-type: none"> <li>Tisztítsa meg a fűnyíró burkolatát minden használat után, „<b>A MOSÓ CSATLAKOZÓ HASZNÁLATA A FŰNYÍRÓ BURKOLATÁNAK TISZTÍTÁSÁHOZ</b>” részben leírtaknak megfelelően.</li> </ul>
A fűnyíró irányíthatósága könnyen elveszik, amikor felfelé halad a lejtőn.	<ul style="list-style-type: none"> <li>A hátsó kerekeken az abroncsok elkoptak.</li> <li>Fűnyírás meredek lejtőn.</li> </ul>	<ul style="list-style-type: none"> <li>A kerékabroncsok cseréjéhez kérje a helyi szerviz segítségét.</li> <li>A fűnyíró nem használható a meghatározott foknál meredekebb lejtőn való fűnyírásra.</li> </ul>
Amikor a fűnyírót lejtős talajon állítják meg a rögzítőfék pedál lenyomásával, a fűnyíró legurul a lejtőn.	<ul style="list-style-type: none"> <li>A fék komponensei túlságosan kopottak a fűnyíró nem megfelelő működtetése miatt.</li> </ul>	<ul style="list-style-type: none"> <li>A javításért forduljon az EGO ügyfélszolgálathoz.</li> </ul>
Nem jön víz a mosó csatlakozóból a burkolat mosásakor.	<ul style="list-style-type: none"> <li>A mosó gyorscsatlakozó nincs megfelelően felszerelve a csatlakozóra.</li> </ul>	<ul style="list-style-type: none"> <li>Csatlakoztassa vissza a mosó gyorscsatlakozót, amíg kattánó hangot nem hall, miután határozott mozdulattal beillesztette. Ha nem működik, akkor forduljon az EGO ügyfélszolgálathoz.</li> </ul>
A fűnyíró kézzel való tolásakor rendellenes hang hallatszik, anélkül, hogy a fűnyírót elindítaná.	<ul style="list-style-type: none"> <li>A hang a hajtómotor belsejében lévő mágnesekből jön.</li> </ul>	<ul style="list-style-type: none"> <li>Nem kell tennie semmit, ez normál jelenség.</li> </ul>
A kormánykerék nem forgatható.	<ul style="list-style-type: none"> <li>A kormánykerék szerelvénye eltömődött törmelékkel.</li> </ul>	<ul style="list-style-type: none"> <li>Ellenőrizze és távolítsa el a törmeléket.</li> </ul>
A kormánykerék elforgatásakor a fűnyíró nem fordul balra/ jobbra.	<ul style="list-style-type: none"> <li>Elektronikus vagy mechanikus alkatrészek meghibásodása.</li> </ul>	<ul style="list-style-type: none"> <li>A javításért forduljon az EGO ügyfélszolgálathoz.</li> </ul>
A fűnyíró nem áll meg a gázpedál felengedésekor.	<ul style="list-style-type: none"> <li>A gázpedál visszatérő útja eltömődött törmelékkel.</li> </ul>	<ul style="list-style-type: none"> <li>Ellenőrizze és távolítsa el a törmeléket.</li> </ul>
	<ul style="list-style-type: none"> <li>A CCS gombot akaratlanul megnyomják vezetés közben. A fűnyíró sebességtartó módban van.</li> </ul>	<ul style="list-style-type: none"> <li>Ellenőrizze, hogy a CCS ikon világít-e az LCD kijelzőn, és szükség esetén lépjen ki a CCS-ből. Lásd a „<b>A SEBESSÉGTARTÓ AUTOMATIKA (CCS) HASZNÁLATA</b>” című fejezetet.</li> </ul>
A CCS funkciót nem lehet be- vagy kikapcsolni.	<ul style="list-style-type: none"> <li>A CCS gomb nem megfelelően van lenyomva.</li> </ul>	<ul style="list-style-type: none"> <li>Nyomja meg a CCS gombot, amíg a CCS ikon világítani nem kezd az LCD kijelzőn, vagy el nem tűnik az LCD kijelzőről.</li> </ul>

PROBLÉMA	OK	MEGOLDÁS
A fűnyíró nem képes hátramenetben haladni, ha a bal/jobbs lapát(ok) a kezelő felé van(nak) húzva.	<ul style="list-style-type: none"> <li>A fűnyíró állapotjelzője nem zölden világít, és a fűnyíró nem áll készen a vezetésre.</li> </ul>	<ul style="list-style-type: none"> <li>Kövesse a „A FŰNYÍRÓ ELINDÍTÁSA” című fejezetben leírtakat, hogy a fűnyíró állapotjelzője zöld színű legyen, és a fűnyíró készen álljon a vezetésre.</li> </ul>
	<ul style="list-style-type: none"> <li>A bal/jobbs lapát(ok) nincs(enek) megfelelően a kezelő felé húzva.</li> </ul>	<ul style="list-style-type: none"> <li>Húzza a bal vagy a jobbs lapátot vagy mindkét lapátot egyszerre a kezelő felé, amíg „kattanó” hangot nem hall.</li> </ul>
	<ul style="list-style-type: none"> <li>A bal/jobbs lapát(ok) nem marad(nak) a kezelő felé húzva.</li> </ul>	<ul style="list-style-type: none"> <li>A hátramenethez legalább az egyik lapátot a kezelő felé húzva kell tartani.</li> </ul>
	<ul style="list-style-type: none"> <li>A bal/jobbs lapát(ok) eltört(ek).</li> </ul>	<ul style="list-style-type: none"> <li>A javításhoz forduljon szakképzett szerviztechnikushoz.</li> </ul>



## FÜNYÍRÓ ÁLLAPOT REFERENCIA- ÉS HIBAKÓD

LCD kijelző	Leírás	Hibakód az LCD-n	Fűnyíró állapotjelző	Hangjelző	Ok	Megoldás
	A LED világítás ikon megjelenik az LCD kijelzőn.	n/a	KI	Nem	A fényszórókat, illetve oldalsó és hátsó lámpákat a LED világításkapcsoló kapcsolja fel.	Ez a normál működés. Művelet nem szükséges.
	Az USB ikon megjelenik az LCD kijelzőn.	n/a	KI	Nem	A világító USB ikon azt jelzi, hogy az USB eszköz működésre képes a fűnyíró helyes indítása után.	Ez a normál működés. Művelet nem szükséges.
	Az üzemanyagmérő ikonja megjelenik az LCD kijelzőn.	n/a	KI	Nem	A behelyezett akkumulátorok átlagos töltési kapacitását jelzi	Ez a normál működés. Művelet nem szükséges.
	Az üzemóra ikon megjelenik az LCD kijelzőn.	n/a	KI	Nem	A fűnyíró teljes menetidejét jeleníti meg órában kifejezve, és nem lehet visszaállítani.	Ez a normál működés. Művelet nem szükséges.
	A terhelésjelző ikon megjelenik az ECO tartományban.	n/a	KI	Nem	A fűnyíró aktuális terhelését jelzi.	Ez a normál működés. Művelet nem szükséges.
	A hátramenet ikon megjelenik az LCD kijelzőn.	n/a	KI	Nem	A fűnyíró hátramenetét jelzi.	Ez a normál működés. Művelet nem szükséges.
	A biztonsági kulcs ikon villog.	n/a	KI	Nem	A biztonsági kulcs nincs berakva.	Helyezze be a biztonsági kulcsot, majd nyomja meg és tartsa lenyomva a START/STOP gombot a fűnyíró bekapcsolásához.
					A kulcsos vezérlőpanel doboz szerelvénye elromlott.	A javítást szakképzett szerviztechnikus végezze el.





HU

LCD kijelző	Leírás	Hibakód az LCD-n	Fűnyíró állapotjelző	Hangjelző	Ok	Megoldás
	Egy adott akkumulátortartó rekesz ikonja villog.	n/a	KI	Nem	Egy bizonyos akkumulátor kisütés közben túláramot kap.	Művelet nem szükséges. A fűnyíró akkor tud tovább működni, ha a kombinált akkumulátor Ah értéke, a túlárammal érintett akkumulátort kivéve, megfelel a követelménynek. Amint a túlárammal érintett akkumulátor visszatér a normál állapotba, azonnal csatlakozik a fűnyíró áramellátásához, és az ikon eltűnik.
	Az üres akkumulátortartó rekesz ikonja villog.	n/a	KI	Nem	Az akkumulátor kapacitása nem elegendő a fűnyíró működéséhez.	A fűnyíró elindításához használja a megfelelő EGO akkumulátort, a kézikönyv „ <b>AZ AKKUMULÁTOREGYSÉG CSATLAKOZTATÁSA / LEVÁLASZTÁSA</b> ” című fejezete alapján.
	A túlterhelés jelző villog.	n/a	Pirosan villog	Egy hangjelzés	<p>A késmotor túlterhelt.</p> <p>Az oldalsó fűgyűjtő rekesz eltömődött fűvel és törmelékkel.</p> <p>A penge és a fűnyíróburkolat között interferencia van.</p>	<p>Emeljen a burkolat vágásmagasságán, vagy csökkentse a menetsebességet a fűnyíró terhelésének csökkentéséhez.</p> <p>Minden használat után tisztítsa meg az oldalsó fűgyűjtő rekeszt.</p> <p>Forduljon az EGO ügyfélszolgálathoz.</p>

LCD kijelző	Leírás	Hibakód az LCD-n	Fűnyíró állapotjelző	Hangjelző	Ok	Megoldás
	A hőmérséklet ikon villog.	n/a	KI	Egy hangjelzés	A fűnyíró túlmelegedett.	Csökkentse a fűnyíró terhelését úgy, hogy emeli a burkolat vágásmagasságát, vagy lassít a késen/ menetsebességen. Tartson szünetet, és hagyja visszahűlni a fűnyírót.
					A fűnyíró túl hideg.	Kérjük, ne próbálkozzon többször, mert ez károsíthatja a gépet. A fűnyírót és az akkumulátort mindig meleg környezetben tárolja. Akkor indítsa újra a fűnyírót, ha felmelegedett.
	A hőmérséklet ikon és a foglalt akkumulátortartó rekesz ikonja egyszerre villog.	n/a	KI	Nem	Az akkumulátoregység a megfelelően számozott akkumulátortartó rekeszben túlmelegedett.	1. A fűnyíró akkor tud tovább működni, ha a kombinált akkumulátor Ah értéke – a túlmelegedett akkumulátort kivéve – megfelel a követelménynek. Amikor a túlmelegedett akkumulátor visszatér normál hőmérsékletűre, akkor azonnal elkezd táplálni a fűnyírót.
						2. Ha az akkumulátorok kombinált Ah értéke nem elegendő, akkor a fűnyíró nem fog működni, amíg még több akkumulátoregységet nem illesztnek be az akkumulátorok szabad tartórekeszeibe.
						3. Csökkentse a fűnyíró terhelését úgy, hogy emeli a burkolat vágásmagasságát, vagy lassít a fűnyírás sebességén, amikor újra elkezd működtetni.

LCD kijelző	Leírás	Hibakód az LCD-n	Fűnyíró állapotjelző	Hangjelző	Ok	Megoldás
	Az egyes foglalt akkumulátortartó rekeszek ikonjai, az alacsony töltöttségjelző, és az üzemanyagmérő 1 másodpercenként villognak egyszerre az LCD kijelzőn. Az első LED-es üzemanyagmérő és a fűnyíró állapotjelzője is villog.	n/a	Pirosan villog	Addig ad hangjelzést, amíg a PTO kapcsolót le nem nyomják.	Az akkumulátoregységek töltöttségi szintje alacsony, a fűnyíró szükségfutas módban van.	Hagyja abba a munkát, és menjen az akkumulátortöltő területre. <b>MEGJEGYZÉS:</b> Amikor a fűnyíró szükségfutas módban van, a kések automatikusan alacsony forgási sebességre állnak, a hangjelző pedig folyamatosan hangjelzést ad. A kezelőnek lefelé kell nyomnia a PTO kapcsolót a késmotorok kikapcsolásához. A hangjelzés elnémul, miután a kések leállnak.
	Az egyes foglalt akkumulátortartó rekeszek ikonjai és az alacsony töltöttségjelző fél másodpercenként villognak, az első LED üzemanyagmérő szintén fél másodpercenként pirosan villog.	n/a	Pirosan villog	Folyamatosan hangjelzést ad	Az akkumulátoregységek majdnem lemerültek.	A fűnyíró működése azonnal leáll. A kezelőnek az akkumulátortöltő területre kell vinnie a fűnyírót a feltöltéshez.
	Az automatikus parkolás ikon villog az LCD kijelzőn.	n/a	KI	Folyamatosan hangjelzést ad	A fűnyíró lejtőn parkol, és a kezelő anélkül hagyja el a fűnyírót, hogy a rögzítőfék pedálját fékező állásba állítaná.	Állítsa a fékpedál fékezési pozícióba. Az automatikus parkolás ikon kialszik, és a hangjelzés elnémul.
	A fékpedál ikonja megjelenik az LCD kijelzőn	n/a	KI	Nem	A parkoló fékpedál fékezési pozícióba van állítva.	A fűnyíró elindítása előtt oldja ki.

**MEGJEGYZÉS:** Ha hibakód jelenik meg az LCD kijelzőn, távolítsa el az összes akkumulátort, és helyezze be őket néhány perccel később. Ha ez nem oldja meg a problémát, kövesse az alábbi hibaelhárítási eljárást.

LCD kijelző	Leírás	Hibakód az LCD-n	Fűnyíró állapotjelző	Hangjelző	Ok	Megoldás
	Az ülésérzékelő ikonja megjelenik az LCD kijelzőn	n/a	KI	Nem	A kezelő elhagyja az ülést, vagy az ülés biztonsági reteszelő rendszere kikapcsol.	Ha a kezelő az ülésben ül, és az ikon világít, azonnal függessze fel a fűnyíró használatát, és ellenőrizze az ülés csatlakozását. Ha az ülés és a fűnyíró közötti csatlakozás megfelelő, kérjük, a javításhoz forduljon szakképzett szerviztechnikushoz.
	A PTO kapcsoló ikon villog	n/a	KI	Nem	A késmotor működését megszakították, és a PTO kapcsoló nincs kikapcsolva.	A fűnyíró újraindítása előtt nyomja le a PTO kapcsolót, hogy kikapcsolja a késmotorokat. Kérjük, olvassa el a kézikönyv „HIBAE LHÁRÍTÁS” című részét.
	Az energiaregeneráció ikon időnként felvillog.	n/a	KI	Nem	A lejtőn való fékezés vagy vezetés során létrejövő kinetikus energia elektromossággá válik, és tölti az akkumulátoregységeket.	Ez a normál működés. Művelet nem szükséges.
	A CCS ikon villog	n/a	KI	Nem	A CCS (sebességtartó automatika) funkció meghibásodott.	A CCS funkciót nem lehetett beállítani, amikor a fűnyíró nagyon alacsony sebességgel vagy hátramenetben haladt.

HU

LCD kijelző	Leírás	Hibakód az LCD-n	Fűnyíró állapotjelző	Hangjelző	Ok	Megoldás	
Lásd „Hibakód”	A bal oldali hajtómotor nem forog megfelelően.	A nyomtatott áramkör által vezérelt bal oldali hajtómotor nem működik.	413	KI	Egy hangjelzés	Nyomtatott áramkör hiba	A javítást szakképzett szerviztechnikus végezze el.
		A bal oldali hajtómotor és a hozzá tartozó nyomtatott áramkör közötti csatlakozó (három fázis, tápkábel) meglazult.	317	KI	Egy hangjelzés	Laza csatlakozás	
		A bal oldali hajtómotor és a hozzá tartozó nyomtatott áramkör közötti csatlakozó (hat tű, jeladó kábel) meglazult.	301	KI	Egy hangjelzés	Laza csatlakozás	
		A bal oldali hajtómotor nem működik.	317	KI	Egy hangjelzés	Motorhiba	

HU

LCD kijelző	Leírás	Hibakód az LCD-n	Fűnyíró állapotjelző	Hangjelző	Ok	Megoldás	
Lásd „Hibakód”	A jobb oldali hajtómotor nem forog megfelelően.	A nyomtatott áramkör által vezérelt jobb oldali hajtómotor nem működik.	313	KI	Egy hangjelzés	Nyomtatott áramkör hiba	A javítást szakképzett szerviztechnikus végezze el.
		A jobb oldali hajtómotor és a hozzá tartozó nyomtatott áramkör közötti csatlakozó (három fázis, tápkábel) meglazult.	417	KI	Egy hangjelzés	Laza csatlakozás	
		A jobb oldali hajtómotor és a hozzá tartozó nyomtatott áramkör közötti csatlakozó (hat tű, jeladó kábel) meglazult.	401	KI	Egy hangjelzés	Laza csatlakozás	
		A jobb oldali hajtómotor nem működik.	417	KI	Egy hangjelzés	Motorhiba	

**HU**

LCD kijelző	Leírás	Hibakód az LCD-n	Fűnyíró állapotjelző	Hangjelző	Ok	Megoldás	
Lásd „Hibakód”	A bal oldali késmotor nem forog megfelelően.	A nyomtatott áramkör által vezérelt bal oldali késmotor nem működik.	607	n/a	Egy hangjelzés	Nyomtatott áramkör hiba	A javítást szakképzett szerviztechnikus végezze el.
		A bal oldali késmotor és a hozzá tartozó nyomtatott áramkör közötti csatlakozó (három fázis, tápkábel) meglazult.	509	n/a	Egy hangjelzés	Laza csatlakozás	Először a kést ellenőrizze. Ha a csavar meglazul, húzza meg az ajánlott nyomatékkal. Ellenkező esetben végeztesse el a javítást szakképzett szerviztechnikussal.
		A bal oldali késmotor nem működik	509	n/a	Egy hangjelzés	Motorhiba	
Lásd „Hibakód”	A jobb oldali késmotor nem forog megfelelően.	A nyomtatott áramkör által vezérelt jobb oldali késmotor nem működik.	507	n/a	Egy hangjelzés	Nyomtatott áramkör hiba	A javítást szakképzett szerviztechnikus végezze el.
		A jobb oldali késmotor és a hozzá tartozó nyomtatott áramkör közötti csatlakozó (három fázis, tápkábel) meglazult.	609	n/a	Egy hangjelzés	Laza csatlakozás	Először a kést ellenőrizze. Ha a csavar meglazul, húzza meg az ajánlott nyomatékkal. Ellenkező esetben végeztesse el a javítást szakképzett szerviztechnikussal.
		A jobb oldali késmotor nem működik	609	n/a	Egy hangjelzés	Motorhiba	
Lásd „Hibakód”	A gázpedál nem működik	311/ 411 307/ 407	KI	Egy hangjelzés	Nyomtatott áramkör hiba Laza csatlakozás	A javítást szakképzett szerviztechnikus végezze el.	

HU



LCD kijelző	Leírás	Hibakód az LCD-n	Fűnyíró állapotjelző	Hangjelző	Ok	Megoldás	
Lásd „Hibakód”	A kormánykerék nem működik	312/ 412	KI	Egy hangjelzés	Nyomatott áramkör hiba	A javítást szakképzett szerviztechnikus végezze el.	
					Laza csatlakozás		
Lásd „Hibakód”	A rögzítőfék nem működik, az eszközt nem lehet vezetni.	A parkolófék első keretes egységén lévő nyomtatott áramkör hibás.	309/ 409	KI	Egy hangjelzés	Nyomatott áramkör hiba	A javítást szakképzett szerviztechnikus végezze el.
		A parkolófék kapcsolója és/vagy kábele hibás.	801	KI	Egy hangjelzés	Vezeték/kapcsoló hiba	
KI	Töltőcsatlakozó hiba	n/a	Folyamatos PIROS	n/a	A töltőcsatlakozó nyitott áramkörön van.	A javítást szakképzett szerviztechnikus végezze el.	
		n/a	Folyamatos PIROS	n/a	Nincs áramellátás.	Ellenőrizze a fali aljzatot, hogy van-e 220V-240V tápfeszültség, illetve, hogy az aljzat jó-e.	
		n/a	Folyamatos PIROS	n/a	A biztosíték kiégett.	A javítást szakképzett szerviztechnikus végezze el.	
Lásd „Hibakód”	Töltőport hiba	204	n/a	Egy hangjelzés	A töltőcsatlakozó nyitott áramkörön van.	A javítást szakképzett szerviztechnikus végezze el.	
Lásd „Hibakód”	Az akkumulátordoboz egység nem működik	217	n/a	Egy hangjelzés	Az akkumulátordoboz egységéből érkező tápforrás hibás. A LED fényszórók és az USB nem működik.	A javítást szakképzett szerviztechnikus végezze el.	
		310/ 410	KI	Egy hangjelzés	Az akkumulátordoboz egységének C típusú kábele és a fűnyíró egyéb C típusú kábele nem csatlakoznak egymáshoz.		
		201/ 202/ 203	KI	Egy hangjelzés	Az akkumulátordoboz egységének BMS-e hibás.		

LCD kijelző	Leírás	Hibakód az LCD-n	Fűnyíró állapotjelző	Hangjelző	Ok	Megoldás
Lásd „Hibakód”	Start/stop kapcsoló hiba	314/ 414	KI	Egy hangjelzés	A kapcsoló nyomtatott áramköre hibás, vagy a start/stop kapcsoló kábelcsatlakozása rossz.	A javítást szakképzett szerviztechnikus végezze el.
Lásd „Hibakód”	LCD kijelző hiba	315/ 415	KI	Egy hangjelzés	Az LCD egysége hibás, vagy az LCD egység kábelcsatlakozása rossz.	A javítást szakképzett szerviztechnikus végezze el.

## GARANCIA

### EGO GARANCIÁLIS FELTÉTELEK

Kérjük, látogasson el az [egopowerplus.com](http://egopowerplus.com) oldalra, ahol megtalálja a részletes EGO garanciális feltételeket.

## CITIȚI TOATE INSTRUCȚIUNILE!



CITIȚI MANUALUL DE INSTRUCȚIUNI

## SIMBOLUL DE SECURITATE

Scopul simbolurilor privind siguranța este să vă atragă atenția asupra pericolelor posibile. Simbolurile privind siguranța și explicațiile furnizate cu acestea merită atenția și înțelegerea dumneavoastră. Avertizările simbolurilor nu elimină, prin ele însele, niciun pericol. Instrucțiunile și avertizările pe care le oferă acestea nu pot înlocui măsurile adecvate de prevenire a accidentelor.

**⚠ AVERTISMENT:** Asigurați-vă că ați citit și înțelegiți toate instrucțiunile privind siguranța din acest Manual de utilizare, inclusiv toate simbolurile de alertă privind siguranța precum **“PERICOL”**, **“AVERTIZARE”** și **“ATENȚIE”** înainte de a utiliza această sculă. Nerespectarea tuturor instrucțiunilor enumerate mai jos poate duce la electrocutare, incendiu și/sau vătămări corporale grave.

## SEMNIFICAȚIA SIMBOLURILOR

Această pagină descrie simbolurile de siguranță ce pot apărea pe acest produs. Citiți, înțelegiți și respectați toate instrucțiunile de pe mașină înainte de a o asambla și de a o utiliza.

## SIMBOLURI PRIVIND SIGURANȚA

	Alertă privind siguranța		Citiți și înțelegiți manualul de instrucțiuni	<b>RO</b>
	Protecție pentru ochi		Mențineți dispozitivele de siguranță	
	PERICOL - Pericol de pantă abruptă		PERICOL - Țineți spectatorii departe de lame	
	Nu transportați niciodată copii		Uitați-vă în spate în timp ce întoarceți cu spatele	
	AVERTISMENT - Nu utilizați această mașină pe pante mai mari de 12°.		PERICOL - Obiecte aruncate	
	AVERTISMENT - ȚINEȚI MÂINILE ȘI PICIOARELE DEPARTE		Nivel de putere acustică garantat. Conform Directivei comunitare europene.	



Nu pășiți



Deșeurile produselor electrice nu trebuie să fie eliminate împreună cu deșeurile menajere. Predați-le unui punct de reciclare autorizat.



Acest produs este în conformitate cu directivele europene aplicabile



ATENȚIE - Nu priviți direct în lampă în timp ce funcționează.



Curent continuu



Acest produs este în conformitate cu legislația aplicabilă din Marea Britanie.

kPa Kilopascal

RPM Rotații pe minut

V Volt

m Metri

in Inch

cm Centimetri

Nm Newton metru

mm Milimetri

°C Celsius

kg Kilograme

km/h Kilometri pe oră

IPX4 Grad de protecție împotriva factorilor externi

## SIMBOLURI PRIVIND SIGURANȚA



Informațiile trebuie să fie notate



Ațiunea indicată se oprește

RO

## SPECIFICAȚII

Tensiune	56 V	
Dimensiuni carcasă	107 cm	
Mărimea roții	Frontal	279,4 x 101,6 - 127 mm
	Spate	457,2 x 241,3 - 203.2 mm
Presiunea anvelopelor reci	Frontal	222.1 kPa
	Spate	110,3 kPa
Raza de întoarcere	0	
Viteza lamei (RPM)	2400; 2600; 2800; 3000	

Viteza maximă de deplasare	Înainte	4.8 km/h, 8.1 km/h, 9.7 km/h, 11.3 km/h (12.8 km/h în modul de călătorie)
	Înapoi	până la 5.6 km/h
Încărcare	Încărcător (opțional)	CHV1600E
	Adaptor (opțional)	ACA1000
	Interval de temperatură încărcare	5°C - 40°C
Reglare înălțime de tăiere (10 poziții)		25 – 100 mm
Temperatură de funcționare		0°C- 40°C

# 476

MAȘINĂ DE TUNS IARBA FĂRĂ VIRARE — ZT4200E-S

Temperatură de depozitare	-20°C - 70°C	
Greutate (fără set de acumulatori)	196 kg	
Nivel de putere sonoră măsurată $L_{WA}$	96,44 dB(A) K=0,68 dB(A)	
Nivel de presiune acustică la urechea operatorului $L_{PA}$	84,3 dB(A) K=3,0 dB(A)	
Nivel de putere sonoră garantat $L_{WA}$ (măsurat în conformitate cu 2000/14/CE)	100 dB(A)	
Vibrații $a_n$	Mână	1,221 m/s <sup>2</sup> K=1,5 m/s <sup>2</sup>
	Corp	0,568 m/s <sup>2</sup> K=1,5 m/s <sup>2</sup>

- Valoarea totală declarată a vibrațiilor a fost măsurată în conformitate cu o metodă standard de testare și poate fi utilizată pentru compararea sculelor între ele;
- Valoarea totală declarată poate fi utilizată în evaluarea preliminară a expunerii.

**OBSERVAȚIE:** Vibrațiile emise în timpul utilizării efective a sculei electrice pot diferi față de valoarea celor declarate pentru scula utilizată; Pentru protejerea operatorului, utilizatorul trebuie să poarte mănuși și protecții auditive în timpul utilizării efective a produsului.

## ACCESORII

## RECOMANDATE

**⚠️ AVERTISMENT:** Utilizați numai piese de schimb identice enumerate mai jos. Utilizarea pieselor care nu întrunesc specificațiile echipamentului original pot duce la funcționarea inadecvată și la compromiterea siguranței.

DENUMIREA PIESELOR	NUMĂR MODEL
Lama standard	AB4200
Lamă cu ridicare mare	AB4201
Fișă de tocare resturi vegetale	AMP4200
Sac colector de iarbă	ABK4200-A

Bara de protecție spate	AMB1000
Cutia de încărcare	AMG1000
Umbrela de soare	AMS1000

## DESCRIEREA

### CUNOAȘTEȚI COSITOAREA (Fig. A1)

- Scaun
- Port de încărcare
- Unitate de putere
- Lumina din spate cu LED-uri
- Compartimentul de depozitare
- Lumina laterală cu LED
- Roată spate (roată motrice)
- Port de spălare
- Platformă
- Protector de punte
- Roată anti-scalpare iarbă
- Roată frontală
- Pedală frână parcare
- Lumini de funcționare de zi
- Faruri cu LED
- Pedala de accelerație
- Zona de odihnă a picioarelor
- Jgheab de descărcare laterală
- Manetă de reglare a înălțimii punții
- Buton de reglare a suspensiilor scaunului
- Volan
- Cutia din partea dreaptă
- Manetă de reglare a înălțimii șezutului
- Comutator PTO
- Butonul Start/Stop
- Cheie de siguranță
- Slot de depozitare a telefonului
- Suporturi pentru pahar
- Paleta stângă

30. Indicator de stare a cositoarei
31. Ecran LCD
32. Paleta dreaptă
33. Butonul de reglare a vitezei lamei
34. Butonul CCS
35. Buton Mod de conducere
36. Comutator de lumină cu LED
37. Buton de reglare a vitezei de conducere
38. Butonul de eliberare a capacului unității de alimentare
39. Capacul unității de alimentare
40. Unitate de alimentare cu șase compartimente pentru baterii
41. Buton de detașare a acumulatorului
42. Agățător
43. Capacul de montare a atașamentului
44. Port USB

### CUNOAȘTEȚI ECRANUL LCD (Fig. A2)

Consultați secțiunea „STAREA DE REFERINȚĂ ȘI COD DE DEFEȚIUNE A MAȘINII DE TUNS IARBA” pentru mai multe informații despre pictograme și indicatorii de pe ecranul LCD.

1. Pictograma înapoi
2. Pictograma CCS
3. Pictograma cheii de siguranță
4. Pictogramă Lumini LED
5. Pictogramă parcare automată
6. Pictogramă USB
7. Indicator de viteză a lamei
8. Indicator de stare a dispozitivului de siguranță
9. Contor de ore
10. Pictograma compartimentului de baterie liber
11. Pictograma Temperatură
12. Pictograma compartimentului de baterie ocupat
13. Modul conducere
14. Indicator de cod de defecțiune
15. Indicator de suprasarcină

16. Indicator de putere redusă
17. Indicator de combustibil
18. Indicator de încărcare
19. Indicator de viteză de conducere

## DESPACHETAREA

**OBSERVAȚIE:** Păstrați materialele de ambalare până când ați inspectat cu atenție și ați utilizat produsul în mod satisfăcător. Dacă există piese din lista de ambalare asamblate pe aparat, vă rugăm să contactați instantaneu serviciul EGO.

**OBSERVAȚIE:** Cu excepția instrumentelor din lista de ambalare de mai jos, toate celelalte instrumente menționate în manuale sunt doar recomandate, dar nu sunt furnizate.

**OBSERVAȚIE:** Nu îndepărtați blocul de spumă de sub volan înainte ca volanul să fie instalat corespunzător. Vibrațiile din timpul deplasării pot cauza deteriorarea volanului.

### LISTA COMPONENTELOR (FIG. B)

B-1	Mașină de tuns iarba fără virare	B-2	Scaun
B-3	Fișă de tocare resturi vegetale	B-4	Șuruburi cu cap imbus(2 pentru rezervă)
B-5	Imbus	B-6	Cheie tubulară
B-7	Chei cu capăt deschis	B-8	Chei de siguranță
B-9	Cuplaj rapid cu port de spălare	B-10	Manual de utilizare

## ASAMBLARE

### INSTALAREA SCAUNULUI (Fig. C1 & C4)

**⚠️ AVERTISMENT:** Sistemul de blocare a siguranței nu trebuie deconectat sau ocolit. Dacă faceți acest lucru, mașina de tuns iarba poate funcționa în mod neașteptat, provocând vătămări corporale.

**OBSERVAȚIE:** Pentru siguranța dvs., mașina de tuns iarba poate opri conducerea, deoarece întrerupătorul scaunului s-a deconectat în timpul conducerii. În acest caz, vă rugăm să consultați secțiunea „DEPANARE” pentru mai multe informații.

C1-1	Racord	C1-2	Fișă
C1-3	Cablu	C2-1	Brațul scaunului
C2-2	Baza de suspensie	C2-3	Cheie hexagonală
C2-4	Șuruburi cu cap imbus	C2-5	Manetă de reglare a înălțimii șezutului
C3-1	Șine de oțel	C3-2	Cheie hexagonală
C3-3	Șuruburi cu cap imbus	C4-1	Cârlig

### INSTALAREA VOLANULUI (Fig. C5 - C6)

C5-1	Bolț de blocare	C5-2	Bară
C6-1	Bloc de localizare	C6-2	Fantă
C6-3	Protector Volan		

### FIXAREA PRIZEI DE TOCARE RESTURI VEGETALE (Fig. C7)

C7-1	Jgheab de evacuare laterală	C7-2	Fișă de tocare resturi vegetale
C7-3	Arc mobil		

## REGLAREA

### ÎNAINTE DE REGLARE (Fig. D1)

### REGLAREA ÎNĂLȚIMII DE TĂIERE (Fig. D2)

### REGLAREA ROȚILOR ANTI-SCALPARE (Fig. D3 - D6)

D3-1	Roată anti-scalpare iarbă	D5-1	Piuliță
D5-2	Șurub cu ureche	D6-1	Etichetă înălțime punte

### REGLAREA SCAUNULUI (Fig. D7)

D7-1	Manetă de reglare a înălțimii șezutului	D7-2	Buton de reglare a suspensiei scaunului
------	---	------	---

### REGLAREA VOLANULUI DE DIRECȚIE (Fig. D8)

D8-1	Bolț de blocare	D8-2	Bară
D8-3	Bloc de localizare	D8-4	Fantă

## FUNȚIONARE

### ÎNAINTE DE UTILIZARE (Fig. E1)

### REGLAREA FRÂNELOR DE PARCARE (Fig. E2)

E2-1	Poziția eliberată	E2-2	Poziția de frânare
------	-------------------	------	--------------------

**OBSERVAȚIE:** Nu apăsați niciodată pedala de frână de parcare pentru a reduce viteza. Odată ce pedala frânei de parcare este apăsată suficient, dar nu până în poziția de parcare completă, mașina de tuns iarba se va opri din tuns pe o suprafață plană, dar dacă acest lucru se întâmplă pe o pantă, mașina de tuns iarba poate aluneca în jos pe pantă.

RO

### ATAȘAREA/DETAȘAREA SETULUI DE ACUMULATORI (Fig. E3 – E6)

Pentru a porni această mașină de tuns iarba, sunt necesare baterii EGO cu valoare totală de 15 Ah (2 X BA4200/BA4200T) sau mai mult. Pentru cele mai bune performanțe, vă recomandăm utilizarea bateriilor EGO care totalizează 30 Ah sau mai mult.

E3-1	Butonul de eliberare a capacului	E5-1	Buton de eliberare a acumulatorului
------	----------------------------------	------	-------------------------------------

### ÎNCĂRCAREA COSITOAREI

A se utiliza numai cu bateriile și încărcătoarele recomandate.

- Încărcați separat pachetul (pachetele) de baterii (Fig. E7)



**OBSERVAȚIE:** Consultați manualele corespunzătoare ale bateriei și încărcătorului pentru instrucțiuni detaliate.

- **Încărcați pachetul (pachetele) de baterii prin intermediul portului de încărcare (Fig. E8-E10)**

E10-1	Apărătoare de praf	E10-2	Port de încărcare
-------	--------------------	-------	-------------------

## VERIFICAȚI SISTEMUL DE INTERBLOCARE DE SIGURANȚĂ

- Pentru a testa sistemul de lame-punte (Fig. E11 – E12)
- Pentru a testa sistemul de conducere (Fig. E13 – E14)

Dacă sistemul de lamă de punte și/sau sistemul de conducere nu se oprește atunci când operatorul nu este pe scaun și dacă cauza nu poate fi determinată după ce ați confirmat că, conexiunea scaunului și priza scaunului sunt bine conectate, contactați centrul de service clienți EGO imediat.

## LISTA DE VERIFICĂRI ÎNAINTE DE OPERARE

- Asigurați-vă că zona de lucru este liberă de copii, spectatori și animale de companie.
- Eliberați zona de lucru de obiectelor care pot fi aruncate de lamele de tuns.
- Curățați resturile de pe cositoare.
- Verificați dacă există elemente de fixare slăbite.
- Verificați dacă toate dispozitivele de protecție sunt la locul lor și funcționează corect.
- Verificați vizual dacă anvelopele sunt umflate.
- Verificați funcționarea frânei.
- Reglați înălțimea punții la poziția de tăiere dorită, cea mai potrivită pentru gazon și reglați roțile anti-scalpare în consecință.
- Reglați poziția scaunului și asigurați-vă că puteți ajunge la ambele pedale.
- Reglați volanul în poziția dorită, dacă este necesar.
- Verificați nivelul de încărcare a bateriei.
- Verificați sistemul de inter-blocare de siguranță.

## PORNIREA MAȘINII DE TUNS IARBA (Fig. E15 – Fig. E16)

**⚠️ AVERTISMENT:** Evitați pornirile, opririle și întoarcerile bruște, precum și viteza excesivă, mai ales atunci când învățați să folosiți mașina de tuns iarba. Cositoarea se poate roti rapid, ceea ce poate determina pierderea controlului și poate duce la vătămări grave și/sau daune.

**⚠️ AVERTISMENT:** Înainte de a porni mașina de tuns iarbă, verificați și asigurați-vă că lamele sunt decuplate în decurs de 5 secunde atunci când apăsați întrerupătorul prizei de putere PTO în jos. Dacă lamele nu se opresc, nu utilizați cositoarea și contactați imediat serviciul clienți EGO.

**OBSERVAȚIE:** Urmați fig. E17 și fig. E18 pentru a obține cea mai mică viteză de rulare și modul de conducere STANDARD până când sunteți pe deplin capabil să acționați mașina de tuns iarba în toate situațiile.

Mașina de tuns iarba va salva și va prezenta modul de conducere, viteza de deplasare și calibrarea volanului de direcție anterioare la repornirea acesteia.

## REGLAREA MODULUI DE CONDUCERE (Fig. E17)

- **CONTROLUL:** Accelerație mai mică, manevrare mai puțin sensibilă și viteză ușoară de virare pentru a proteja iarba și pe noii utilizatori.
- **STANDARD:** Perfect pentru utilizarea de zi cu zi.
- **SPORT:** Accelerare mai mare, manevrabilitate precisă și întoarcere bruscă pentru a maximiza eficiența cosirii și pentru pasionații de cosire.

**NOTĂ:** Modul de conducere nu poate fi reglate în timpul mersului. Funcția se va activa numai atunci când roțile cositoarei sunt oprite.

## Reglarea vitezei de conducere (Fig. E18)

**NOTĂ:** Când vă aflați în modul "TURBO", apăsați "-", viteza de deplasare va reveni la modul anterior.

## Reglarea vitezei lamei (fig. E19)

### Lumini LED

- Farurile, luminile laterale și luminile din spate sunt controlate de comutatorul cu LED.
- Luminile de funcționare sunt întotdeauna aprinse în timpul conducerii.



- Când dați cu spatele, dacă luminile din spate sunt stinse, acestea vor clipi pentru a avertiza spectatorii; dacă luminile din spate sunt aprinse, acestea vor rămâne aprinse.
- Toate luminile se vor stinge automat atunci când mașina de tuns iarba se oprește automat după o perioadă fără a funcționa.

### Port USB

**OBSERVAȚIE:** Portul USB asigură o putere de încărcare de 5 Volt DC la un consum combinat de 1,5 Amperi și este alimentat numai când mașina de tuns iarba este pornită.

### OPRIREA COSITOAREI (Fig. E20)

**OBSERVAȚIE:** După mai mult de 60 minute fără a funcționa, cositoarea se va opri automat.

### Modul Limp-Home

Atunci când încărcarea bateriei devine foarte scăzută, mașina de tuns iarba va intra în modul Limp-Home pentru a păstra suficientă energie pentru a se întoarce la zona de încărcare.

- Lamele trec la o viteză de rotație redusă, ceea ce ar putea tăia doar o cantitate foarte mică de iarbă. La întâlnirea cu iarba înaltă și densă, lamelele se vor opri din rotație. Indicatorul audio va emite un sunet (bip) intermitent.
- Indicatorul de stare a cositoarei va clipi în roșu la fiecare secundă, atât indicatorul de putere scăzută, cât și graficul bateriei de pe indicatorul de combustibil vor clipi.

Operatorul ar trebui:

- Să apese comutatorul PTO în jos pentru a decupla motoarele lamelor. Indicatorul de semnal sonor nu va mai suna atunci când motoarele lamei se opresc.
- Opriți lucrul și mergeți la zona de încărcare cât mai curând posibil. Distanța maximă pe care o poate parcurge mașina de tuns iarba este de 1000m.

Când bateria este aproape epuizată, pictograma fiecărui compartiment ocupat al bateriei și indicatorul de consum redus vor clipi la fiecare jumătate de secundă. Cositoarea nu va mai funcționa imediat. Operatorul va trebui să transporte mașina de tuns iarba până la zona de încărcare pentru a o încărca.

**OBSERVAȚIE:** Dacă este necesară împingerea manuală, asigurați-vă că bateriile sunt deconectate de la cositoare și că pedala frână de parcare este eliberată din poziția de frânare.

### CONDUCEREA COSITOAREI (Fig. E21)

**⚠ PERICOL:** Stai cel puțin două lățimi de cosit departe de orice șanțuri, pante, sau apă. Roțile din față se pot roti atunci când mașina de tuns iarba este oprită, chiar și cu frâna acționată, și poate provoca, ca mașina de tuns iarba să pornească peste margine sau în apă și poate duce la moarte sau vătămări corporale grave.

**⚠ AVERTISMENT:** Fiți conștienți de ceea ce se află în spatele cositoarei înainte de a da cu spatele. NU cosiți în sens invers, dacă nu este absolut necesar. Priviți întotdeauna în jos și în spate înainte și în timp ce dați înapoi pentru a vă asigura că niciun copil, persoane din apropiere sau animale de companie nu intră în zona de cosit. Amintiți-vă că o fracțiune de secundă de neglijență este suficientă pentru a provoca moartea sau rănirea gravă.

**⚠ AVERTISMENT:** Nu folosiți această mașină pe drumurile publice.

**⚠ AVERTISMENT:** Dacă se întâmplă blocarea sau se lovești un obiect străin, opriți motoarele și scoateți bateriile. Îndepărtați tăieturile de iarbă, frunzele, murdăria și orice alte resturi acumulate; inspectați cu atenție mașina de tuns iarba și reparați daunele înainte de a reporni și de a folosi mașina de tuns iarba.

### UTILIZAREA CONTROLULUI DE CROAZIERĂ (CCS)

**Pentru a activa CCS în timpul conducerii (Fig. E22)**

**NOTĂ:** Este posibil ca nivelul vitezei de deplasare afișat pe ecranul LCD să nu reprezinte cu exactitate viteză reală de deplasare a mașinii de tuns iarba în regim de croazieră. Apăsăți unul dintre butoanele de reglare a vitezei ("↩" sau "↪") pentru a "reîmprospăta" și a regla nivelul vitezei de deplasare pe ecranul LCD.

**Pentru a ieși din CCS și a opri mașina de tuns iarba,** puteți alege una dintre cele patru modalități:

- Apăsăți ușor pedala de accelerație și apoi eliberați-o.

- Trageți paleta (paletele) stânga/dreapta spre operator și apoi eliberați.
- Apăsăți pedala frână de parcare.
- Apăsăți butonul CCS.

**NOTĂ:** Apăsăți pedala de accelerație până la capăt pentru a atinge viteza actuală de deplasare CCS și continuați să apăsați. Funcția CCS se va opri și mașina de tuns iarba va continua să meargă la viteza curentă.

## ÎNȚREȚINEREA

**⚠ AVERTISMENT:** Purtați întotdeauna ochelari de protecție cu apărători laterale. Nerespectarea acestei instrucțiuni ar putea avea ca rezultat proiectarea în ochi a obiectelor și alte posibile vătămări grave.

**⚠ AVERTISMENT:** Protejați-vă întotdeauna mâinile purtând mănuși rezistente sau înfășurând marginile tăioase cu cârpe sau alte materiale când efectuați orice operație de întreținere asupra lamei de tăiere. Scoateți întotdeauna cheia de siguranță și setul de acumulatori când efectuați operații de întreținere sau transportați mașina de tuns iarbă.

RO

Intervalele de întreținere service	Procedura de întreținere
Înainte de fiecare utilizare sau zilnic	<ul style="list-style-type: none"> <li>▪ Verificați sistemul de siguranță.</li> <li>▪ Verificați vizual dacă anvelopele sunt umflate.</li> <li>▪ Inspectați lamele.</li> <li>▪ Inspectați întregul produs pentru a găsi piese deteriorate, lipsă sau slăbite, cum ar fi jgheabul de descărcare laterală, șuruburi, piulițe, șuruburi, capace etc., asigurându-vă că toate dispozitivele de protecție sunt la locul lor și funcționează corect.</li> <li>▪ Verificați și asigurați-vă că pedala de accelerație poate fi apăsată și eliberată corect.</li> <li>▪ Verificați amortizorul volanului de direcție. Volanul trebuie să fie rotit cu o anumită rezistență.</li> </ul>

După fiecare utilizare	<ul style="list-style-type: none"> <li>▪ Curățați puntea cositoarei.</li> </ul>
La fiecare 25 ore	<ul style="list-style-type: none"> <li>▪ Verificați presiunea anvelopelor.</li> </ul>
La fiecare 100 ore	<ul style="list-style-type: none"> <li>▪ Verificați roțile din spate, asigurându-vă că cele toate piulițe sunt fixate la cuplul recomandat.</li> </ul>
La fiecare 200 ore	<ul style="list-style-type: none"> <li>▪ Verificați roțile din față, asigurându-vă că acestea se rotesc liber.</li> </ul>
Înainte de depozitare	<ul style="list-style-type: none"> <li>▪ Scoateți bateriile din cositoare.</li> <li>▪ Scoateți cheia de siguranță din cositoare.</li> <li>▪ Efectuați toate procedurile de întreținere enumerate mai sus și curățați bine cositoarea.</li> <li>▪ Inspectați întregul produs pentru a vedea dacă există piese deteriorate, lipsă sau slăbite, înlocuiți-le sau strângeți-le pe cele corespunzătoare înainte de depozitare.</li> </ul>
Anual	<ul style="list-style-type: none"> <li>▪ Verificați pedala frână de parcare. Scoateți bateria din mașină de tuns și puneți pedala de parcare în poziția de frânare. Împingeți manual mașina de tuns iarbă înainte pentru a vedea dacă mașina de tuns iarba poate fi mutată sau nu. În cazul în care se deplasează, întrețineți-o de un tehnician de service calificat.</li> </ul>

## ÎNȚREȚINERE GENERALĂ

**Curățarea carcasei cositoarei (Fig. F1 - Fig. F2)**

**Utilizarea port de spălare pentru a curăța puntea cositoarei (Fig. F3 - F4)**

F2-1	Port de spălare	F2-2	Cuplaj rapid cu port de spălare
F2-3	Furtun de grădină		

**OBSERVAȚIE:** Când terminați curățarea, opriți complet mașina de tuns iarba și apoi scoateți furtunul de grădină și cuplul rapid.

## ÎNTREȚINEREA PUNTII COSITOAREI ȘI A LAMELOR DE TĂIERE

### PREGĂTIREA (Fig. G1)

#### Îndepărtarea punții mașinii de tuns (Fig. G2 - Fig. G3)

G2-1	Cablu motor	G2-2	Legături suspensii
G2-3	Cui spintecat		

**OBSERVAȚIE:** Deconectați toate cablurile motorului și cuiele spintecate când scoateți puntea mașinii de tuns iarba.

#### Înlocuirea lamelor de tăiere (Fig. G4 - Fig. G6)

G4-1	Stabilizator	G5-1	Bolț
G5-2	Șaibă	G5-3	Lamă
G5-4	Flanșă	G5-5	Ax motor

#### Nivelarea punții mașinii de tuns iarba

- Când se nivelează (Fig. G7 - G9)**
- Înainte de nivelare**
  - Verificați presiunea în pneuri la rece (Fig. G10)
  - Verificați lamele de tăiere. Scoateți și înlocuiți lamele uzate, crăpate și/sau îndoite, după cum este necesar.
- Pregătirea pentru nivelare (Fig. G11)**
- Cum se nivelează**
  - Pentru a face reglarea laterală (Fig. G12)
  - Pentru a efectua reglarea față-spate (Fig. G13)

## CALIBRAREA SISTEMULUI DE URMĂRIRE A COASELOR (Fig. H1 - H2)

**OBSERVAȚIE:** Indicatorul de semnal sonor va suna o dată atât la începerea calibrării, cât și la terminarea calibrării.

**NOTĂ:** Calibrarea finalizată pentru unul dintre modurile de conducere ("CONTROL", "STANDARD", "SPORT") poate să nu fie disponibilă pentru celelalte două moduri. Calibrați volanul în fiecare mod de conducere în mod independent, după cum este necesar.

## RESETAREA COSITOAREI LA REGLAREA ÎNIȚIALĂ DIN FABRICĂ (Fig. I)

**OBSERVAȚIE:** Indicatorul de semnal sonor va suna o dată atât la începerea resetării, cât și la finalizarea resetării.

**NOTĂ:** Atunci când resetarea este reușită, setările de mai jos vor reveni la setările inițiale din fabrică:

- modul de conducere
- viteza de deplasare
- calibrarea volanului de direcție

## DEPOZITARE ȘI TRANSPORT

### TRANSPORTUL MAȘINII DE TUNS IARBA (Fig. J1 – J5)

**OBSERVAȚIE:** Asigurați mașina de tuns iarba după cum este necesar, folosind curele sau cabluri pentru a preveni mișcarea în timpul transportului.

### DEPOZITAREA (Fig. K1 - K2)

**OBSERVAȚIE:** Scoateți pachetele de baterii și depozitați bateriile, consultați manualele corespunzătoare.

Curățați și verificați mașina de tuns iarba înainte de depozitare, consultați secțiunile „**CURĂȚAREA MAȘINII DE TUNS IARBA**” și „**PROGRAMUL (E) DE ÎNTREȚINERE RECOMANDAT**”.

#### Protejarea mediului înconjurător




DEEE (Deșeuri de echipamente electrice și electronice) - Nu eliminați echipamentul electric, acumulatorul epuizat și încărcătorul de acumulator împreună cu deșeurile menajere! Predați acest produs unui punct de reciclare autorizat și puneți-l la dispoziția colectării separate. Sculele electrice trebuie returnate unui centru de reciclare ecologic.

## DEPANAREA

PROBLEMĂ	CAUZĂ	SOLUȚIE
<p>Mașina de tuns iarba fără virare nu mai pornește atunci când pedala de accelerație este apăsată.</p>	<ul style="list-style-type: none"> <li>Ah combinat al bateriilor introduse nu îndeplinește cerințele.</li> </ul>	<ul style="list-style-type: none"> <li>Pentru a porni această mașină de tuns iarba, utilizați suficiente baterii EGO urmând instrucțiunile din secțiunea „<b>ATAȘAREA/ DETAȘAREA BATERIELOR</b>” din acest manual.</li> </ul>
	<ul style="list-style-type: none"> <li>Pedala de frână de parcare este setată în poziția de frânare.</li> </ul>	<ul style="list-style-type: none"> <li>Apăsați complet pedala frână parcare pentru a o elibera din poziția de frânare.</li> </ul>
	<ul style="list-style-type: none"> <li>Ambele palete, atât cea din stânga cât și cea din dreapta, nu sunt trase scurt spre operator pentru a face ca indicatorul de stare al cositoarei să strălucească în verde la pornirea acesteia.</li> </ul>	<ul style="list-style-type: none"> <li>Trageți simultan ambele palete stânga și dreapta spre operator și apoi eliberați-le. Indicatorul de stare al cositoarei va străluci în verde, ceea ce înseamnă că mașina este gata de pornire.</li> </ul>
	<ul style="list-style-type: none"> <li>Operatorul nu stă pe scaun.</li> </ul>	<ul style="list-style-type: none"> <li>Doar atunci când operatorul stă corect pe scaun, el poate acționa cositoarea.</li> </ul>
	<ul style="list-style-type: none"> <li>Comutatorul scaunului nu este conectat corect.</li> </ul>	<ul style="list-style-type: none"> <li>Scoateți bateria de pe motocositoare și demontați scaunul în ordinea inversă a instrucțiunilor din secțiunea „<b>INSTALAREA SCAUNULUI</b>” din acest manual pentru a vă asigura că fișa cablului este conectată corect la priza de pe partea inferioară a scaunului. Reasamblați scaunul și urmați instrucțiunile din „<b>PORNIREA MAȘINII DE TUNS IARBA</b>” pentru a reporni cositoarea pentru a vedea dacă cositoarea poate fi pornită. Dacă nu, contactați un tehnician de service calificat pentru reparații.</li> </ul>
	<ul style="list-style-type: none"> <li>Pe vreme extremă rece, este posibil ca funcția de conducere să nu pornească cu succes din cauza protecției la temperatură scăzută.</li> </ul>	<ul style="list-style-type: none"> <li>Depozitați întotdeauna cositoarea și bateria într-un mediu cald. Reporniți cositoarea când este încălzită. Vă rugăm să nu faceți încercări repetate pe timp extrem de rece, care ar putea deteriora mașina.</li> </ul>
	<ul style="list-style-type: none"> <li>Calea de deplasare a pedalei de accelerație este înfundată cu resturi.</li> </ul>	<ul style="list-style-type: none"> <li>Verificați și îndepărtați resturile.</li> </ul>
	<ul style="list-style-type: none"> <li>Defectarea componentelor mecanice sau electronice ale pedalei de accelerație.</li> </ul>	<ul style="list-style-type: none"> <li>Contactați un tehnician de service calificat pentru reparații.</li> </ul>

RO

PROBLEMĂ	CAUZĂ	SOLUȚIE
Mașina de tuns iarba fără virare se oprește.	<ul style="list-style-type: none"> <li>Paleta stânga / dreapta necesită o "resetare".</li> </ul>	<ul style="list-style-type: none"> <li>Trageți padelele stânga/dreapta spre operator și eliberați-le. Mașina de tuns iarba este pregătită pentru a fi condusă atunci când indicatorul de stare luminează în verde.</li> </ul>
	<ul style="list-style-type: none"> <li>Defectarea componentelor electronice ale pedalei de accelerație.</li> </ul>	<ul style="list-style-type: none"> <li>Contactați un tehnician de service calificat pentru reparații.</li> </ul>
	<ul style="list-style-type: none"> <li>Sistemul de inter-blocare de siguranță a scaunelor s-a deconectat în timpul conducerii pe un teren accidentat.</li> </ul>	<ul style="list-style-type: none"> <li>Scoateți bateria de pe motocositoare și demontați scaunul în ordinea inversă a instrucțiunilor din secțiunea "<b>INSTALAREA SCAUNULUI</b>" din acest manual pentru a vă asigura că fișa cablului este conectată corect la priza de pe partea inferioară a scaunului. Reasamblați scaunul și urmați instrucțiunile din "<b>PORNIREA MAȘINII DE TUNS IARBA</b>" pentru a reporni cositoarea pentru a vedea dacă cositoarea poate fi pornită. Dacă nu, contactați un tehnician de service calificat pentru reparații.</li> </ul>
	<ul style="list-style-type: none"> <li>Greutatea operatorului nu este distribuită uniform pe scaun. Greutatea operatorului pe scaun trebuie să fie de cel puțin 20 kg pentru ca sistemul de blocare de siguranță a scaunului să funcționeze corect.</li> </ul>	<ul style="list-style-type: none"> <li>Așezați-vă corect pe scaun, trageți stânga/dreapta sau ambele padele spre operator și eliberați-le, apoi mașina de tuns iarba este pregătită pentru conducere.</li> </ul>
	<ul style="list-style-type: none"> <li>Pedala de frână de parcare este apăsată pentru a reduce viteza de deplasare. Odată ce pedala frânei de parcare este apăsată suficient, dar nu până la poziția de parcare, mașina de tuns iarba se va opri.</li> </ul>	<ul style="list-style-type: none"> <li>Urmați instrucțiunile de la "<b>PORNIREA COSITOAREI</b>" pentru a reporni cositoarea.</li> </ul>
Modul de conducere nu poate fi reglate în timpul mersului.	<ul style="list-style-type: none"> <li>Aceasta este o caracteristică a mașinii de tuns iarba fără virare pentru o conducere sigură.</li> </ul>	<ul style="list-style-type: none"> <li>Funcția se va activa numai atunci când roțile cositoarei sunt oprite.</li> </ul>

PROBLEMĂ	CAUZĂ	SOLUȚIE
<p>Mașina de tuns iarba fără virare nu reușește să pornească lamele atunci când este activat comutatorul PTO.</p>  Pictograma PTO Switch clipește	<ul style="list-style-type: none"> <li>Ah combinat al bateriilor introduse nu îndeplinește cerințele.</li> </ul>	<ul style="list-style-type: none"> <li>Pentru a porni această mașină de tuns iarba, utilizați suficiente baterii EGO urmând instrucțiunile din secțiunea „ATAȘAREA/ DETASAREA BATERIELOR” din acest manual.</li> </ul>
	<ul style="list-style-type: none"> <li>Înterupătorul PTO nu a fost apăsat în jos atunci când mașina de tuns iarba a fost oprită ultima dată.</li> </ul>	<ul style="list-style-type: none"> <li>Împingeți comutatorul PTO în jos și apoi în sus pentru a reporni motoarele lamei.</li> </ul>
	<ul style="list-style-type: none"> <li>Mașina de tuns iarba este suprasolicitată în momentul în care lamele încep să se rotească, declanșând auto-protecția motorului.</li> </ul>	<ul style="list-style-type: none"> <li>Porniți mai întâi mașina de tuns iarba tăind cu viteza mai mică a lamei și nu accelerați viteza lamei până când lamele se rotesc cu succes.</li> </ul>
	<ul style="list-style-type: none"> <li>Pe vreme extremă rece, este posibil ca motorul lamei să nu pornească cu succes din cauza protecției la temperatură scăzută.</li> </ul>	<ul style="list-style-type: none"> <li>Depozitați întotdeauna cositoarea și bateria într-un mediu cald. Reporniți cositoarea când este încălzită. Vă rugăm să nu faceți încercări repetate pe timp extrem de rece, care ar putea deteriora mașina.</li> </ul>
	<ul style="list-style-type: none"> <li>Lama interferează cu puntea de tuns deformată.</li> </ul>	<ul style="list-style-type: none"> <li>Contactați centrul de servicii pentru clienți EGO.</li> </ul>
	<ul style="list-style-type: none"> <li>Mașina de tuns iarba se deplasează la viteza "TRAVEL".</li> </ul>	<ul style="list-style-type: none"> <li>Atunci când mașina de tuns iarba se deplasează la viteza "TRAVEL", motoarele lamei se vor opri automat.</li> </ul>

RO

PROBLEMĂ	CAUZĂ	SOLUȚIE
Lamele nu mai funcționează în timpul tăierii ierbii.	<ul style="list-style-type: none"> <li>Mașina de tuns iarbă este supraîncărcată.</li> </ul>	<ul style="list-style-type: none"> <li>Ridicați înălțimea de tăiere a punții sau încetiniți viteza de deplasare pentru a reduce sarcina cositoarei.</li> </ul>
	<ul style="list-style-type: none"> <li>Mașina de tuns iarbă este înfundată cu iarbă și resturi.</li> </ul>	<ul style="list-style-type: none"> <li>Curățați puntea cositoarei și asigurați-vă că lamele au libertate de mișcare.</li> </ul>
	<ul style="list-style-type: none"> <li>Mașina de tuns iarbă este supraîncălzită.</li> </ul>	<ul style="list-style-type: none"> <li>Reduceți sarcina cositoarei, ridicând înălțimea de tăiere a punții sau reducând viteza lamei/ de deplasare și lăsați mașina de tuns să se răcească.</li> </ul>
	<ul style="list-style-type: none"> <li>Acumulatorul (bateriile) din compartimentul pentru baterii al mașinii de tuns iarba este supraîncălzit, rezultând o evaluare combinată Ah a tuturor bateriilor introduse ca ne-îndeplinind cerința.</li> </ul>	<ol style="list-style-type: none"> <li>Mașina de tuns iarba poate continua să funcționeze dacă valoarea nominală a bateriei combinată Ah, excluzând bateria supraîncălzită, îndeplinește cerințele. Odată ce bateria supraîncălzită revine la temperatura normală, aceasta se va alătura imediat la puterea cositoarei.</li> </ol>
		<ol style="list-style-type: none"> <li>Dacă valoarea Ah a bateriilor combinată nu îndeplinește cerințele, mașina de tuns iarba nu va funcționa până când nu vor fi introduse mai mulți acumulatori în componentele bateriei libere.</li> </ol>
		<ol style="list-style-type: none"> <li>Reduceți sarcina cositoarei ridicând înălțimea de tăiere a punții sau încetinind cosirea la reluarea operației.</li> </ol>
	<ul style="list-style-type: none"> <li>Cositoarea este în modul Limp-Home.</li> </ul>	<ul style="list-style-type: none"> <li>Când mașina de tuns iarba este în modul Limp - Home, lamele sunt comutate automat în viteză de rotație redusă. Operatorul ar trebui oprească munca și să conducă în zona de încărcare a bateriei cât mai curând posibil.</li> </ul>
	<ul style="list-style-type: none"> <li>Mașina de tuns iarba a fost lovită de un obiect străin, rezultând în auto-protecția motorului.</li> </ul>	<ul style="list-style-type: none"> <li>Împingeți comutatorul PTO în jos și apoi în sus pentru a reporni motoarele lamei.</li> </ul>
<ul style="list-style-type: none"> <li>Viteza mașinii de tuns iarba este reglată în modul „TRAVEL”.</li> </ul>	<ul style="list-style-type: none"> <li>Când viteza mașinii de tuns iarba este în modul „TRAVEL”, motoarele cu lamă se vor opri automat.</li> </ul>	



PROBLEMĂ	CAUZĂ	SOLUȚIE
Indicatorul de semnal sonor continuă să sune.	<ul style="list-style-type: none"> <li>▪ Cositoarea este în modul Limp-Home și lamele nu sunt oprite.</li> </ul>	<ul style="list-style-type: none"> <li>▪ Împingeți comutatorul PTO în jos pentru a opri motoarele lamei. Indicatorul de semnal sonor nu va mai suna atunci când motorul lamei se oprește.</li> </ul>
	<ul style="list-style-type: none"> <li>▪ Cositoarea încetează să meargă pe o pantă și operatorul se dă jos de pe scaun fără a pune pedala de frână de parcare în poziția de frânare.</li> </ul>	<ul style="list-style-type: none"> <li>▪ Puneți pedala frână parcare în poziția de frânare înainte de a lăsa cositoarea în pantă.</li> </ul>
Indicatoarele bateriei sunt încă aprinse când mașina de tuns iarba este oprită.	<ul style="list-style-type: none"> <li>▪ Când mașina de tuns iarba este oprită, fără a scoate acumulatorul (bateriile) din mașină de tuns, indicatoarele bateriei, butonul start/stop și butonul CCS vor rămâne aprinse pentru o perioadă.</li> </ul>	<ul style="list-style-type: none"> <li>▪ Nu este necesară nicio acțiune. Indicatoarele bateriei se vor stinge când mașina de tuns iarba se oprește după o perioadă. Consultați secțiunea „<b>OPRIREA COSITOAREI</b>” pentru o anumită perioadă de timp.</li> </ul>
	<ul style="list-style-type: none"> <li>▪ Când mașina de tuns iarba este oprită pe o pantă fără a seta frână de parcare în poziția de frânare, indicatoarele bateriei vor rămâne aprinse până când încărcarea bateriei se va epuiza. Indicatorul de semnal sonor continuă să sune în același timp.</li> </ul>	<ul style="list-style-type: none"> <li>▪ Puneți pedala frână parcare în poziția de frânare înainte de a lăsa cositoarea în pantă.</li> </ul>
Ecranul LCD nu poate fi iluminat cu toate pictogramele activate.	<ul style="list-style-type: none"> <li>▪ Butonul de pornire/oprire a fost apăsat suficient timp.</li> </ul>	<ul style="list-style-type: none"> <li>▪ Ecranul LCD va afișa „fuel gauge” numai atunci când butonul de pornire/oprire este apăsat scurt.</li> </ul>
		<ul style="list-style-type: none"> <li>▪ Ecranul LCD se va aprinde după ce butonul de pornire/oprire a fost apăsat suficient timp.</li> </ul>
Cositoarea taie inegal, cu diferențe semnificative de înălțime față-spate.	<ul style="list-style-type: none"> <li>▪ Lamele sunt tocite.</li> </ul>	<ul style="list-style-type: none"> <li>▪ Ascuțiți sau înlocuiți lama de tăiere conform instrucțiunilor din acest manual.</li> </ul>
	<ul style="list-style-type: none"> <li>▪ Lamele sunt îndoite.</li> </ul>	<ul style="list-style-type: none"> <li>▪ Înlocuiți lama de tăiere îndoită urmând instrucțiunile din secțiunea „<b>ÎNLOCUIREA LAMEI DE TĂIERE</b>”.</li> </ul>
	<ul style="list-style-type: none"> <li>▪ Puntea cositoarei nu este nivelată, rezultând înălțimi diferite a lamei de tăiere.</li> </ul>	<ul style="list-style-type: none"> <li>▪ Nivelăți puntea de tuns iarba urmând instrucțiunile din secțiunea „<b>NIVELAREA PUNȚII MAȘINII DE TUNS IARBA</b>”.</li> </ul>



PROBLEMĂ	CAUZĂ	SOLUȚIE
Înălțimea efectivă de tăiere a ierbii nu este aliniată cu înălțimea revendicată.	<ul style="list-style-type: none"> <li>Piulițele punții cositoarei sunt slăbite pe legătura cu suspensiile.</li> </ul>	<ul style="list-style-type: none"> <li>Urmați instrucțiunile din secțiunea „<b>NIVELAREA PUNȚII MAȘINII DE TUNS IARBA</b>” pentru a face o reglare corectă față-spate pentru puntea cositoarei și strângeți sigur piulițele de legătura pentru suspensie.</li> </ul>
	<ul style="list-style-type: none"> <li>Puntea cositoarei este deteriorată sau uzată grav.</li> </ul>	<ul style="list-style-type: none"> <li>Urmați instrucțiunile din secțiunea „<b>DEMONTAREA PUNȚII MAȘINII DE TUNS IARBA</b>” pentru a înlocui puntea cositoarei.</li> </ul>
Cositoarea nu mărunțește corect.	<ul style="list-style-type: none"> <li>Resturile de iarbă tăiată udă se lipesc de dedesubtul carcasei.</li> </ul>	<ul style="list-style-type: none"> <li>Așteptați să se usuce iarba înainte de a tunde.</li> </ul>
	<ul style="list-style-type: none"> <li>Mașina de tuns iarbă este setată să taie prea multă iarbă odată.</li> </ul>	<ul style="list-style-type: none"> <li>Ridicați înălțimea de tăiere a punții.</li> </ul>
Vibrații excesive.	<ul style="list-style-type: none"> <li>Reascuțiți lamele de tăiere.</li> </ul>	<ul style="list-style-type: none"> <li>Strângeți șurubul lamei la cuplul recomandat.</li> </ul>
	<ul style="list-style-type: none"> <li>Lamele sunt îndoite.</li> </ul>	<ul style="list-style-type: none"> <li>Înlocuiți lama de tăiere îndoită urmând instrucțiunile din secțiunea „<b>ÎNLOCUIREA LAMEI DE TĂIERE</b>”.</li> </ul>
	<ul style="list-style-type: none"> <li>Puntea cositoare nu este nivelată.</li> </ul>	<ul style="list-style-type: none"> <li>Nivelați puntea de tuns iarba urmând instrucțiunile din secțiunea „<b>NIVELAREA PUNȚII MAȘINII DE TUNS IARBA</b>”.</li> </ul>
	<ul style="list-style-type: none"> <li>Piulițele punții cositoarei sunt slăbite la legătura suspensiei.</li> </ul>	<ul style="list-style-type: none"> <li>Strângeți piulițele de pe legătura de suspensie.</li> </ul>
	<ul style="list-style-type: none"> <li>Cositoarea este setată să taie prea multă iarbă la un moment dat.</li> </ul>	<ul style="list-style-type: none"> <li>Ridicați înălțimea de tăiere a punții.</li> </ul>
Există iarbă sau resturi pe pământ după tuns.	<ul style="list-style-type: none"> <li>Cositoarea este setată să taie prea multă iarbă odată când iarba este înaltă.</li> </ul>	<ul style="list-style-type: none"> <li>Începeți cu o înălțime ridicată de tăiere și reduceți-o până când se obține rezultatul dorit la cosit. Iarba de peste 152 mm înălțime ar trebui tunsă de două ori, la înălțimi de tăiere succesive.</li> </ul>
	<ul style="list-style-type: none"> <li>Iarba este udă.</li> </ul>	<ul style="list-style-type: none"> <li>Nu cosiți când iarba este umedă până când iarba nu se usucă.</li> </ul>
	<ul style="list-style-type: none"> <li>Viteza de conducere este mare.</li> </ul>	<ul style="list-style-type: none"> <li>Reduceți viteza de conducere.</li> </ul>
	<ul style="list-style-type: none"> <li>Viteza lamei este redusă.</li> </ul>	<ul style="list-style-type: none"> <li>Măriți viteza lamei treptat.</li> </ul>
Timp scurt de funcționare a cositoarei cu bateria inclusă.	<ul style="list-style-type: none"> <li>Terenul gazonului, condițiile de iarbă, setarea înălțimii de tăiere, viteza de deplasare, viteza lamei etc. vor afecta în mare măsură durata de funcționare.</li> </ul>	<ul style="list-style-type: none"> <li>Ridicați înălțimea de tăiere a punții și încetiniți viteza lamei pentru a reduce sarcina de tăiere.</li> </ul>

PROBLEMĂ	CAUZĂ	SOLUȚIE
Cositoarea nu merge drept.	<ul style="list-style-type: none"> <li>Presiunile anvelopelor pentru roțile din spate stânga și dreapta sunt diferite.</li> </ul>	<ul style="list-style-type: none"> <li>Verificați și reglați presiunea aerului în ambele anvelope de pe roțile din spate, în conformitate cu secțiunea "<b>SPECIFICAȚII</b>".</li> </ul>
	<ul style="list-style-type: none"> <li>Vitezele de rulare pentru roțile din spate stânga și dreapta sunt diferite.</li> </ul>	<ul style="list-style-type: none"> <li>Calibrați volanul de direcție urmând instrucțiunile din secțiunea "<b>CALIBRAREA SISTEMULUI DE URMĂRIRE A COSITOAREI</b>".</li> </ul>
Pedala frână de parcare nu poate fi eliberată din poziția de frânare sau se încetinește la revenire.	<ul style="list-style-type: none"> <li>În interiorul pedalei frânei parcare pot apărea resturi sau murdărie.</li> </ul>	<ul style="list-style-type: none"> <li>Deschideți cutia pedalei frână parcare pentru a curăța bine cutia din interior și închideți-o. Resetați pedala de frână de parcare pentru a vedea dacă problema este rezolvată. Dacă nu, contactați un tehnician de service calificat pentru reparații.</li> </ul>
Mașina de tuns iarba nu poate fi încărcată prin portul de încărcare, cu indicatorul de stare al mașinii care strălucește roșu continuu.	<ul style="list-style-type: none"> <li>Ștecherul încărcătorului nu este introdus corect în portul de încărcare al mașinii de tuns.</li> </ul>	<ul style="list-style-type: none"> <li>Reconectați mufa încărcătorului pentru a vedea dacă mașina de tuns iarba poate fi încărcată normal.</li> </ul>
	<ul style="list-style-type: none"> <li>Nu există curent în prizele de perete.</li> </ul>	<ul style="list-style-type: none"> <li>Nu este necesară nicio acțiune. Așteptați până când puterea se recuperează.</li> </ul>
	<ul style="list-style-type: none"> <li>Defecțiunea încărcătorului.</li> </ul>	<ul style="list-style-type: none"> <li>Sunați la centrul de asistență pentru clienți EGO pentru inspecție și pentru a repara încărcătorul, dacă este necesar.</li> </ul>
	<ul style="list-style-type: none"> <li>Portul încărcătorului de pe cositoare este defect.</li> </ul>	<ul style="list-style-type: none"> <li>Contactați centrul de servicii pentru clienți EGO.</li> </ul>
Timpul de încărcare prin portul de încărcare a cositoarei este prea lung.	<ul style="list-style-type: none"> <li>Utilizarea adaptorului EGO ACA1000 pentru încărcare necesită mult timp.</li> </ul>	<ul style="list-style-type: none"> <li>Utilizați încărcătorul EGO CHV1600E pentru încărcarea directă a mașinii de tuns iarba fără virare.</li> </ul>
Bateria nu poate fi încărcată complet prin portul de încărcare a cositoarei.	<ul style="list-style-type: none"> <li>Eroare de firmware a cositoarei sau defecțiune a bateriei sau a încărcătorului.</li> </ul>	<ul style="list-style-type: none"> <li>Reinițializați încărcătorul prin scoaterea încărcătorului din priză și așteptați câteva minute. Apoi reconectați fișa la sursa de alimentare. Dacă acest lucru nu rezolvă problema, apălați la Centrul de asistență pentru clienți EGO.</li> </ul>
Cositoarea nu poate fi pornită după curățare.	<ul style="list-style-type: none"> <li>Curățare necorespunzătoare, cum ar fi pătrunderea apei pe componentele electrice, ecranul LCD etc.</li> </ul>	<ul style="list-style-type: none"> <li>Urmați instrucțiunile din secțiunea "<b>ÎNȚREȚINERE GENERALĂ</b>" pentru a curăța corect cositoarea.</li> </ul>
		<ul style="list-style-type: none"> <li>Dacă mașina de tuns iarba este prinsă accidental în ploaie, lăsați-o timp să se usuce sau folosiți aer comprimat pentru a o usca.</li> </ul>

PROBLEMĂ	CAUZĂ	SOLUȚIE
Puntea mașinii de tuns iarba se înfundă rapid.	<ul style="list-style-type: none"> <li>▪ Puntea de tuns iarba nu a fost curățată corespunzător după utilizarea anterioară.</li> </ul>	<ul style="list-style-type: none"> <li>▪ Curățați puntea de tuns după fiecare utilizare, urmând secțiunea „UTILIZAREA PORTULUI DE SPĂLARE PENTRU A CURĂȚA PUNTEA COSITOAREI”.</li> </ul>
Cositoarea își pierde ușor tracțiunea când urcă pe pantă.	<ul style="list-style-type: none"> <li>▪ Anvelopele roților din spate sunt uzate.</li> </ul>	<ul style="list-style-type: none"> <li>▪ Căutați un service local pentru înlocuirea anvelopelor roților.</li> </ul>
	<ul style="list-style-type: none"> <li>▪ Tunsul pe o pantă abruptă.</li> </ul>	<ul style="list-style-type: none"> <li>▪ Mașina de tuns iarba nu trebuie folosită pentru a cosi pante mai abrupte decât la gradul impus.</li> </ul>
Când mașina de tuns iarba este oprită pe o pantă cu pedala de frână apăsată, mașina de tuns iarba poate aluneca în jos pe panta.	<ul style="list-style-type: none"> <li>▪ Componentele frânei sunt uzate excesiv din cauza funcționării necorespunzătoare a cositoarei.</li> </ul>	<ul style="list-style-type: none"> <li>▪ Sunați la centrul de asistență pentru clienți EGO pentru reparații.</li> </ul>
Nu iese apă din portul de spălare atunci când încercați să spălați puntea.	<ul style="list-style-type: none"> <li>▪ Cuplajul rapid al portului de spălare nu este montat corect pe portul de spălare.</li> </ul>	<ul style="list-style-type: none"> <li>▪ Atașați din nou cuplajul rapid al orificiului de spălare până când auziți un clic clar după apăsarea fermă. Dacă nu funcționează, sunați la Serviciul Clienți EGO.</li> </ul>
Se aude un sunet anormal atunci când împingeți manual mașina de tuns iarba fără să o porniți.	<ul style="list-style-type: none"> <li>▪ Sunetul provine de la magnetii din interiorul motorului de acționare.</li> </ul>	<ul style="list-style-type: none"> <li>▪ Este normal și nu este necesară nicio acțiune.</li> </ul>
Volanul nu poate fi rotit.	<ul style="list-style-type: none"> <li>▪ Ansamblul volanului de direcție este înfundat cu resturi.</li> </ul>	<ul style="list-style-type: none"> <li>▪ Verificați și îndepărtați resturile.</li> </ul>
Mașina de tuns iarba nu se întoarce la stânga/dreapta atunci când se rotește volanul.	<ul style="list-style-type: none"> <li>▪ Defectarea componentelor electronice sau mecanice.</li> </ul>	<ul style="list-style-type: none"> <li>▪ Sunați la centrul de asistență pentru clienți EGO pentru reparații.</li> </ul>

PROBLEMĂ	CAUZĂ	SOLUȚIE
Mașina de tuns iarba nu reușește să se oprească atunci când se eliberează pedala de accelerație.	<ul style="list-style-type: none"> <li>▪ Calea de întoarcere a pedalei de accelerație este înfundată cu resturi.</li> </ul>	<ul style="list-style-type: none"> <li>▪ Verificați și îndepărtați resturile.</li> </ul>
	<ul style="list-style-type: none"> <li>▪ Butonul CCS este apăsat neintenționat în timpul conducerii. Mașina de tuns iarba se află în modul de control al vitezei de croazieră</li> </ul>	<ul style="list-style-type: none"> <li>▪ Verificați dacă pictograma CCS este aprinsă pe ecranul LCD și ieșiți din CCS, dacă este necesar. Consultați capitolul "<b>UTILIZAREA CONTROLULUI CRUISE (CCS)</b>".</li> </ul>
Funcția CCS nu poate fi activată sau dezactivată.	<ul style="list-style-type: none"> <li>▪ Butonul CCS nu este apăsat corect.</li> </ul>	<ul style="list-style-type: none"> <li>▪ Apăsați butonul CCS până când pictograma CCS se aprinde pe ecranul LCD sau dispare de pe ecranul LCD.</li> </ul>
Mașina de tuns iarba nu reușește să acționeze în marșarier atunci când paleta (paletele) stânga/dreapta este (sunt) tras(e) spre operator.	<ul style="list-style-type: none"> <li>▪ Indicatorul de stare a cositoarei nu arată verde și cositoarea nu este pregătită pentru a fi condusă.</li> </ul>	<ul style="list-style-type: none"> <li>▪ Urmați instrucțiunile din secțiunea "PORNIREA COSITOAREI" pentru ca indicatorul de stare al mașinii să se afișeze pe verde și mașina să fie gata de a fi utilizată.</li> </ul>
	<ul style="list-style-type: none"> <li>▪ Paleta (paletele) stânga/dreapta nu este (sunt) trasă(e) corespunzător spre operator.</li> </ul>	<ul style="list-style-type: none"> <li>▪ Trageți paleta stângă, paleta dreaptă sau ambele palete simultan spre operator până când se aude un "clic".</li> </ul>
	<ul style="list-style-type: none"> <li>▪ Paleta (paletele) stânga/dreapta nu este (sunt) ținută(e) trasă(e) spre operator.</li> </ul>	<ul style="list-style-type: none"> <li>▪ Pentru a conduce în marșarier, cel puțin una dintre padele trebuie să fie trasă în continuare spre operator.</li> </ul>
	<ul style="list-style-type: none"> <li>▪ Paleta (paletele) stânga/dreapta este (sunt) stricată(e).</li> </ul>	<ul style="list-style-type: none"> <li>▪ Contactați un tehnician de service calificat pentru reparații.</li> </ul>

RO

## STAREA DE REFERINȚĂ ȘI COD DE DEFECȚIUNE A MAȘINII DE TUNS IARBA

ECRAN LCD	Descriere	Cod de defecțiune pe ecranul LCD	Indicator de stare a cositoarei	Emite sunet de avertizare (bip)	Cauză	Soluție
	Pictograme cu lumini LED-uri se afișează pe ecranul LCD	nu se aplică	OPRIT	Nu	Farurile, luminile laterale și luminile din spate sunt aprinse de comutatorul cu LED-uri.	Aceasta este o funcționare normală. Nu este necesară nicio acțiune.
	Pictograma USB apare pe ecranul LCD.	nu se aplică	OPRIT	Nu	Pictograma USB luminează indicând faptul că un dispozitiv USB poate funcționa după pornirea corectă a mașinii de tuns.	Aceasta este o funcționare normală. Nu este necesară nicio acțiune.
	Pictograma indicatorului de combustibil apare pe ecranul LCD.	nu se aplică	OPRIT	Nu	Indică capacitatea medie de încărcare a bateriilor introduse	Aceasta este o funcționare normală. Nu este necesară nicio acțiune.
	Pictograma contorului de ore se afișează pe ecranul LCD.	nu se aplică	OPRIT	Nu	Afișează timpul total de conducere al cositoarei, în ore și nu poate fi resetat.	Aceasta este o funcționare normală. Nu este necesară nicio acțiune.
	Pictograma indicator de încărcare apare în zona ECO	nu se aplică	OPRIT	Nu	Indică sarcina curentă a cositoarei.	Aceasta este o funcționare normală. Nu este necesară nicio acțiune.
	Pictograma Reverse apare pe ecranul LCD.	nu se aplică	OPRIT	Nu	Aceasta indică faptul că mașina de tuns iarba merge înapoi.	Aceasta este o funcționare normală. Nu este necesară nicio acțiune.

**RO**

Ecraan LCD	Descriere	Cod de defecțiune pe ecranul LCD	Indicator de stare a cositoarei	Emite sunet de avertizare (bip)	Cauză	Soluție
	Pictograma cheii de siguranță clipește.	nu se aplică	OPRIT	Nu	Cheia de siguranță nu este introdusă.	Introduceți cheia de siguranță, apoi apăsați și mențineți apăsat butonul START/STOP pentru a porni mașina de tuns iarba.
					Ansamblul panoului de control al cheilor este rupt.	Solicitați reparații de către un tehnician de service calificat.
	Pictograma unui anume compartiment al bateriei clipește.	nu se aplică	OPRIT	Nu	O anumită baterie în timpul descărcării este supracurent.	Nu este necesară nicio acțiune. Mașina de tuns iarba poate continua să funcționeze dacă valoarea nominală a bateriei combinată Ah, excluzând bateria supra-curent, îndeplinește cerințele. Odată ce bateria supracurent revine la normal, aceasta se va alătura imediat la puterea cositoarei.
	Pictograma compartimentului gol al bateriei clipește.	nu se aplică	OPRIT	Nu	Capacitatea bateriei nu este suficientă pentru a permite funcționarea mașinii de tuns iarba.	Pentru a porni această mașină de tuns iarba, utilizați suficiente baterii EGO urmând instrucțiunile din secțiunea „ATAȘAREA/DETASAREA BATERIELOR” din acest manual.

RO

Ecran LCD	Descriere	Cod de defecțiune pe ecranul LCD	Indicator de stare a cositoarei	Emite sunet de avertizare (bip)	Cauză	Soluție
	Indicatorul de suprasarcină clipește.	nu se aplică	Clipește roșu	Un bip	Motorul lamei este suprasolicitat.	Ridicați înălțimea de tăiere a punții sau reduceți viteza de deplasare pentru a reduce sarcina cositoarei.
					Jgheabul de descărcare laterală este înfundată cu iarbă și resturi.	Curățați jgheabul de descărcare laterală după fiecare utilizare.
					Există o interferență între lamă și platforma mașinii de tuns iarba.	Contactați centrul de servicii pentru clienți EGO
	Pictograma de temperatură clipește.	nu se aplică	OPRIT	Un bip	Mașina de tuns iarba este supra-încălzită.	Reduceți sarcina pe cositoare, ridicând înălțimea de tăiere a punții sau reducând viteza lamei/ de deplasare. Faceți o pauză și lăsați cositoarea să se răcească.
					Mașina de tuns iarba este prea rece.	Vă rugăm să nu faceți încercări repetate, care ar putea deteriora mașina. Depozitați întotdeauna cositoarea și bateria într-un mediu cald. Reporniți cositoarea când este încălzită.

Ecran LCD	Descriere	Cod de defecțiune pe ecranul LCD	Indicator de stare a cositoarei	Emite sunet de avertizare (bip)	Cauză	Soluție
	<p>Pictograma de temperatură și a exact compartimentul bateriei ocupate clipesc în același timp.</p>	nu se aplică	OPRIT	Nu	<p>Pachetul de baterii din pachetul corespunzător. Compartimentul cu baterii numerotate este supraîncălzit.</p>	<p>1. Mașina de tuns iarba poate continua să funcționeze dacă valoarea nominală a bateriei combinată Ah, excluzând bateria supra-încălzită, îndeplinește cerințele. Odată ce bateria supra-încălzită revine la temperatura normală, aceasta se va alătura imediat la puterea cositoarei.</p> <p>2. Dacă valoarea Ah a bateriilor combinată nu este suficientă, mașina de tuns iarba nu va funcționa până când nu vor fi introduși mai mulți acumulatori în compartimentele bateriei libere.</p> <p>3. Reduceți sarcina cositoarei ridicând înălțimea de tăiere a punții sau încetinind cosirea la reluarea operației.</p>





RO



Ecran LCD	Descriere	Cod de defecțiune pe ecranul LCD	Indicator de stare a cositoarei	Emite sunet de avertizare (bip)	Cauză	Soluție
	Pictogramele fiecărui compartiment ocupate pentru baterii, indicatorul de putere mică, și combustibil clipește la fiecare 1 secundă, în același timp, pe ecranul LCD. Primul indicator LED al indicatorului de combustibil și al stării cositoarei clipește și el.	nu se aplică	Clipește roșu	Continuă să semnalizeze până când comutatorul PTO este împins în jos.	Pachetele de baterii sunt descărcate, iar cositoarea este în modul Limp-Home.	Nu mai lucrați și mergeți la zona de încărcare a bateriei. <b>NOTĂ:</b> Când mașina de tuns iarba este în modul Limp-Home, lamele sunt comutate automat în viteză de rotație redusă și între timp, indicatorul sonor va continua să emită 8 sunete de avertizare (bip). Operatorul trebuie să împingă comutatorul PTO în jos pentru a opri motoarele lamei. Indicatorul audio va înceta să mai emită semnale sonore după ce se opresc lamelele.
	Pictograma fiecărui compartiment de baterii ocupat și indicatorul de putere scăzută clipesc la fiecare jumătate de secundă, iar primul LED al indicatorului de combustibil va clipi roșu la fiecare jumătate de secundă.	nu se aplică	Clipește roșu	Continuă să semnalizeze	Acumulatorul este aproape epuizat.	Cositoarea nu va mai funcționa imediat. Operatorul ar trebui să transporte mașina de tuns iarba în zona de încărcare a bateriei pentru încărcare.
	Pictograma parcare automată clipește pe ecranul LCD.	nu se aplică	OPRIT	Continuă să semnalizeze	Mașina de tuns iarba este parcată pe o pantă, iar operatorul părăsește mașina fără a pune pedala frânei de parcare în poziția de frânare.	Puneți pedala de frână în poziția de frânare. Pictograma de parcare automată va fi dezactivată, iar indicatorul sonor nu va mai emite semnale (bipuri).
	Pictograma pedalei de frână apare pe ecranul LCD	nu se aplică	OPRIT	Nu	Pedala de frână de parcare este setată la poziția de frânare.	Eliberați-l înainte de a porni mașina de tuns iarba.

**RO**

**NOTĂ:** Dacă pe ecranul LCD apare un cod de eroare, scoateți toate bateriile și reintroduceți-le câteva minute mai târziu. Dacă acest lucru nu rezolvă problema, urmați procedura de depanare a codului de defecțiune de mai jos.

ECRAN LCD	Descriere	Cod de defecțiune pe ecranul LCD	Indicator de stare a cositoarei	Emite sunet de avertizare (bip)	Cauză	Soluție
	Pictograma senzorului de scaun apare pe ecranul LCD	nu se aplică	OPRIT	Nu	Operatorul părăsește scaunul sau sistemul de inter-blocare de siguranță a scaunului este deconectat.	Dacă, cu operatorul așezat pe scaun, pictograma este activată, opriți imediat funcționarea mașinii de tuns iarba și verificați conexiunea scaunului. Dacă conexiunea scaunului cu mașina de tuns iarba este confirmată corectă, vă rugăm să contactați un tehnician de service calificat pentru reparații.
	Pictograma PTO Switch clipește	nu se aplică	OPRIT	Nu	Motorul lamei a fost întrerupt în funcționare și comutatorul PTO nu este setat în poziția oprit.	Înainte de a reporni mașina de tuns iarba, împingeți comutatorul PTO în jos pentru a opri motoarele lamei. Vă rugăm să consultați secțiunea „DEPANARE” din acest manual pentru referință.
	Pictograma de regenerare a energiei clipește ocazional.	nu se aplică	OPRIT	Nu	Energia cinetică generată în timpul frânării sau conducerii în jos este convertită în energie electrică pentru a încărca acumulatorii.	Aceasta este o funcționare normală. Nu este necesară nicio acțiune.
	Pictograma CCS clipește	nu se aplică	OPRIT	Nu	Funcția CCS (sistem de control al vitezei de croazieră) a eșuat.	Funcția CCS nu a putut fi setată atunci când mașina de tuns iarba se deplasează la o viteză foarte mică sau în marșarier.

Ecran LCD	Descriere	Cod de defecțiune pe ecranul LCD	Indicator de stare a cositoarei	Emite sunet de avertizare (bip)	Cauză	Soluție
Consultați <b>"COD DE DEFECTIUNE"</b>	Motorul din stânga nu funcționează în rotație.	PCBA care controlează motorul conducere stânga nu funcționează.	413	OPRIT	Un bip	PCBA defectă
		Fișa (trifazat, cablu de alimentare) care conectează motorul de conducere din stânga cu PCBA corespunzător este slăbită.	317	OPRIT	Un bip	Conexiune slăbită
		Fișa (șase pini, fir de semnal) care conectează motorul de conducere din stânga cu PCBA corespunzător este slăbită.	301	OPRIT	Un bip	Conexiune slăbită
		Motorul de conducere din stânga nu funcționează.	317	OPRIT	Un bip	Motor defect
						Solicitați reparații de către un tehnician de service calificat.

**RO**

Ecran LCD	Descriere	Cod de defecțiune pe ecranul LCD	Indicator de stare a cositoarei	Emite sunet de avertizare (bip)	Cauză	Soluție
Consultați „COD DE DEFECȚIUNE”	Motorul de acționare dreapta nu funcționează în rotație.	PCBA care controlează motorul conducere dreapta nu funcționează.	313	OPRIT	Un bip	PCBA defectă
		Fișa (trifazat, cablu de alimentare) care conectează motorul de acționare dreapta cu PCBA corespunzător este slăbită.	417	OPRIT	Un bip	Conexiune slăbită
		Fișa (șase pini, fir de semnal) care conectează motorul de acționare dreapta cu PCBA corespunzător este slăbită.	401	OPRIT	Un bip	Conexiune slăbită
		Motorul de conducere din dreapta nu funcționează.	417	OPRIT	Un bip	Motor defect
						Solicitați reparații de către un tehnician de service calificat.

RO

Ecran LCD	Descriere	Cod de defecțiune pe ecranul LCD	Indicator de stare a cositoarei	Emite sunet de avertizare (bip)	Cauză	Soluție	
Consultați "COD DE DEFECȚIUNE"	Motorul lamei stânga eșuează în rotație	PCBA care controlează motorul lamei stânga nu funcționează	607	nu se aplică	Un bip	PCBA defectă	Solicitați reparații de către un tehnician de service calificat.
		Fișa (trifazat, cablu de alimentare) care conectează motorul lamei din stânga cu PCBA corespunzător este slăbită.	509	nu se aplică	Un bip	Conexiune slăbită	Verificați mai întâi lama. Dacă este slăbit, strângeți șurubul cu cuplul recomandat. Altfel lăsați să fie reparată de un tehnician de service calificat.
		Motorul lamei stânga nu funcționează	509	nu se aplică	Un bip	Motor defect	
Consultați "COD DE DEFECȚIUNE"	Motorul cu lamei drepte eșuează în rotație.	PCBA care controlează motorul lamei dreapta nu funcționează.	507	nu se aplică	Un bip	PCBA defectă	Solicitați reparații de către un tehnician de service calificat.
		Fișa (trifazat, cablu de alimentare) care conectează motorul lamei din dreapta cu PCBA corespunzător este slăbită.	609	nu se aplică	Un bip	Conexiune slăbită	Verificați mai întâi lama. Dacă este slăbit, strângeți șurubul cu cuplul recomandat. Altfel lăsați să fie reparată de un tehnician de service calificat.
		Motor lamei dreapta nu funcționează.	609	nu se aplică	Un bip	Motor defect	
Consultați "COD DE DEFECȚIUNE"	Pedala de accelerație nu funcționează	311/ 411	OPRIT	Un bip	PCBA defectă	Solicitați reparații de către un tehnician de service calificat.	
		307/ 407			Conexiune slăbită		

Ecran LCD	Descriere	Cod de defecțiune pe ecranul LCD	Indicator de stare a cositoarei	Emite sunet de avertizare (bip)	Cauză	Soluție
Consultați „COD DE DEFEȚIUNE”	Volanul de direcție nu funcționează	312/ 412	OPRIT	Un bip	PCBA defectă Conexiune slăbită	Solicitați reparații de către un tehnician de service calificat.
Consultați „COD DE DEFEȚIUNE”	Frâna de parcare nu funcționează, cositoarea nu poate fi condusă.	PCBA al frânei de parcare, care se află în ansamblul cadrului frontal, este ruptă.	309/ 409	OPRIT	Un bip	Solicitați reparații de către un tehnician de service calificat.
		Întreprătorul și/ sau firul de frână de parcare sunt rupte.	801	OPRIT	Un bip	
OPRIT	Eroare la portul de încărcare	nu se aplică	ROȘU continuu	nu se aplică	Portul de încărcare este în circuit deschis.	Solicitați reparații de către un tehnician de service calificat.
		nu se aplică	ROȘU continuu	nu se aplică	Fără alimentare electrică.	Verificați priza de perete dacă este furnizat 220V – 240V sau dacă priza este bună.
		nu se aplică	ROȘU continuu	nu se aplică	Siguranța este sărită/ arsă.	Solicitați reparații de către un tehnician de service calificat.
Consultați „COD DE DEFEȚIUNE”	Defecțiune la portul de încărcare	204	nu se aplică	Un bip	Portul de încărcare este în circuit deschis.	Solicitați reparații de către un tehnician de service calificat.

Ecran LCD	Descriere	Cod de defecțiune pe ecranul LCD	Indicator de stare a cositoarei	Emite sunet de avertizare (bip)	Cauză	Soluție
Consultați „COD DE DEFECȚIUNE”	Ansamblul cutiei de baterii nu funcționează.	217	nu se aplică	Un bip	Sursa de alimentare din ansamblul pachetului de baterie este întreruptă. Farurile LED și USB nu vor funcționa.	Solicitați reparații de către un tehnician de service calificat.
		310/ 410	OPRIT	Un bip	Conexiunea dintre firele de tip C ale ansamblului pachetului de baterii și alte fire de tip C ale cositoarei nu mai funcționează.	
		201/ 202/ 203	OPRIT	Un bip	BMS-ul ansamblului bateriei este rupt.	
Consultați „COD DE DEFECȚIUNE”	Start/ Stop Eroare de comutare	314/ 414	OPRIT	Un bip	Defecțiunea comutatorului PCBA sau conexiunea de cablu defectă pentru comutatorul Start/Stop.	Solicitați reparații de către un tehnician de service calificat.
Consultați „COD DE DEFECȚIUNE”	Eroare ecran LCD	315/ 415	OPRIT	Un bip	Ansamblul LCD este întrerupt sau conexiunea de cablu defectă a ansamblului LCD.	Solicitați reparații de către un tehnician de service calificat.

**RO**

## GARANȚIE

### POLITICA PRIVIND GARANȚIA EGO

Vă rugăm să consultați site-ul [egopowerplus.com](http://egopowerplus.com) pentru termenii și condițiile complete ale politicii privind garanția EGO.

## PREBERITE VSA NAVODILA!



PREBERITE PRIROČNIK Z NAVODILI ZA UPORABO.

## VARNOSTNI SIMBOL

Namen varnostnih simbolov je, da vas opozorijo na morebitne nevarnosti. Bodite pozorni na varnostne simbole in njihova pojasnila ter jih poskušajte razumeti. Opozorilni simboli sami ne odpravljajo nobene nevarnosti. Navodila in opozorila niso nadomestilo za ustrezne ukrepe za preprečevanje nesreč.

**⚠ OPOZORILO:** Pred uporabo tega orodja preberite in razumite vsa varnostna navodila v tem priročniku, vključno z vsemi varnostnimi opozorilnimi simboli, kot so **«NEVARNOST»**, **»OPOZORILO«** in **»POZOR«**. Zaradi neupoštevanja spodaj navedenih navodil lahko pride do električnega udara, požara in/ali resnih telesnih poškodb.

## POMEN SIMBOLA

Na tej strani so prikazani in opisani varnostni simboli, ki se lahko pojavijo na tem izdelku. Preberite in osvojite navodila na napravi ter jih upoštevajte, preden se lotite sestavljanja in upravljanja stroja.

## VARNOSTNI SIMBOLI



Varnostno opozorilo



Zaščita za oči



NEVARNOST – nevarnost zaradi strmega pobočja



Nikoli ne vozite otrok na kosilnici.



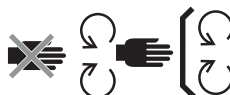
OPOZORILO - Tega stroja ne uporabljajte na pobočjih, strmejših od 12°



OPOZORILO – Z DLANMI IN STOPALI SE NE PRIBLIŽUJTE KOSILNICI



Uporabniški priročnik morate prebrati in razumeti.



Varnostne naprave morate vzdrževati.



NEVARNOST – opazovalci ne smejo stati v bližini rezil.



Pri vzratni vožnji pogledjte nazaj.



NEVARNOST – izvrženi predmeti



Zagotovljena raven zvočne moči V skladu z direktivo Evropske skupnosti.

SL





Ne stopajte



Odpadnih električnih izdelkov ne odlagajte med gospodinjske odpadke. Odnosite jih v pooblaščen obrat za recikiranje.



Ta izdelek je skladen z veljavnimi direktivami ES.



POZOR – Ne zrite v sijalko za prikaz delovanja.



Enosmerni tok



Ta izdelek je skladen z veljavno zakonodajo VB.

kPa

Kilopascal

VRT./MIN.

Število vrtljajev na minuto

V

Volt

m

Metri

in

Palec

cm

centimetri

nm

Newton meter

mm

milimetri

°C

Celzij

kg

Kilogram

km/h

Kilometri na uro

IPX4

Stopnja zaščite pred vdorom

## VARNOSTNI SIMBOLI



Podatke je treba upoštevati



Označeno dejanje se ustavi

## TEHNIČNI PODATKI

Napetost		56 V
Velikost pokrova		107 cm
Velikost kolesa	Spredaj	279,4 x 101,6 – 127 mm
	Zadaj	457,2 x 241,3 – 203,2 mm
Tlak pri hladni pnevmatiki	Spredaj	222,1 kPa
	Zadaj	110,3 kPa
Obračalni krog		0
Hitrost rezila (vrt./min)		2400; 2600; 2800; 3000

Največja hitrost vožnje	Naprej	4,8 km/h, 8,1 km/h, 9,7 km/h, 11,3 km/h (12,8 km/h v potovalnem načinu (Travel))
	Vzratno	do 5,6 km/h
Polnjenje	Polnilnik (izbirno)	CHV1600E
	Adapter (izbirno)	ACA1000
	Temperaturni razpon polnjenja	od 5°C do 40°C
Prilagajanje višine košnje (10 položajev)		25–100 mm
Obratovalna temperatura		od 0°C do 40°C
Temperatura za shranjevanje		od -20°C do 70°C

SL

Teža (brez akumulatorja)	196 kg	
Izmerjena raven zvočne moči $L_{WA}$	96,44 dB(A) K=0,68 dB(A)	
Raven zvočnega tlaka v ušesu upravljavca $L_{PA}$	84,3 dB(A) K=3,0 dB(A)	
Zagotovljena raven zvočnega tlaka $L_{WA}$ (izmerjena v skladu z Direktivo 2000/14/ES)	100 dB(A)	
Vibration $a_h$	Roka	1,221 $m/s^2$ K=1,5 $m/s^2$
	Telo	0,568 $m/s^2$ K=1,5 $m/s^2$

- Nazivna skupna vrednost tresljajev je bila izmerjena v skladu s standardno preskusno metodo in jo je mogoče uporabiti za primerjavo enega orodja z drugim.
- Nazivno skupno vrednost tresljajev je mogoče uporabiti tudi za predhodno oceno izpostavljenosti.

**OPOMBA:** Oddajanje tresljajev med dejansko uporabo električnega orodja se lahko razlikuje od nazivne vrednosti, v kateri se uporablja orodje. Upravljavec se lahko zaščiti tako, da uporablja rokavice in naušnike, primerne dejanskim pogojem uporabe.

SL

## PRIPOROČENI DODATKI

**⚠ OPOZORILO:** Uporabite samo identične nadomestne dele, ki so navedeni spodaj. Uporaba delov, ki ne izpolnjujejo zahtev originalne opreme, lahko vodi k neprimernemu delovanju in ogroženi varnosti.

IME DELA	ŠTEVILKA MODELA
Standardno rezilo	AB4200
Rezilo High Lift	AB4201
Priključek za mulčenje	AMP4200
Komplet vreče za travo	ABK4200-A
Zadnji odbijač	AMB1000
Tovorna škatla	AMG1000
Senčnik	AMS1000

## OPIS

### SPOZNAJTE KOSILNICO (slika A1)

1. Sedež
2. Polnilna vrata
3. Napajalna enota
4. Zadnja luč LED
5. Predal za shranjevanje
6. LED stranska luč
7. Zadnje kolo (pogonsko kolo)
8. Vodni prikllop
9. Pokrov
10. Zaščita za pokrov
11. Kolo, ki ne zadane ob tla
12. Sprednje kolo
13. Stopalka parkirne zavore
14. Dnevne luči
15. Žarometi LED
16. Pedal za plin
17. Predel z nožno oporo
18. Stranski deflektor za izmet
19. Vzvod za prilagajanje višine pokrova
20. Gumb za prilagoditev vzmetenja sedeža
21. Volan
22. Desna stranska škatla
23. Vzvod za prilagajanje položaja sedeža
24. Stikalo PTO
25. Gumb za zagon/zaustavitev
26. Varnostni ključ
27. Reža za shranjevanje telefona
28. Držala za pijačo
29. Kljuka pokrova
30. Indikator stanja kosilnice
31. Zaslon LCD
32. Prikllop za prikolico
33. Gumb za nastavitev hitrosti rezila
34. Gumb CCS

35. Gumb za način vožnje
36. Stikalo za LED-lučko
37. Gumb za nastavev hitrosti vožnje
38. Gumb za sprostitvev pokrova napajalne enote
39. Pokrov napajalne enote
40. Napajalnik s šestimi predelki za akumulatorje
41. Gumb za sprostitvev akumulatorja
42. Vlečna kljuka
43. Pokrov nameščenega priključka
44. Vrata USB

### SPOZNAJTE LCD ZASLON (slika A2)

Za več informacij o ikonah in indikatorjih na zaslonu LCD si oglejte razdelek „SKLIC STANJA KOSILNICE IN KODA NAPAKE“.

1. Ikona za vzvratno smer
2. Ikona CCS
3. Ikona varnostnega ključa
4. Ikona LED-lučki
5. Ikona samodejnega parkiranja
6. Ikona USB
7. Indikator hitrosti rezila
8. Indikator stanja varnostne naprave
9. Števec ur
10. Ikona praznega predela za akumulatorje
11. Ikona temperature
12. Ikona zasedenega predela za akumulatorje
13. Način vožnje
14. Indikator kode napake
15. Indikator preobremenitve
16. Indikator nizkega napajanja
17. Merilnik stanja goriva
18. Indikator obremenitve
19. Indikator hitrosti vožnje

## ODSTRANJEVANJE EMBALAŽE

**OPOMBA:** Shranite embalažni material, dokler izdelka temeljito ne pregledate in ga ne začnete uporabljati zadovoljivo. Če manjka katerikoli del s seznama delov stroja, se takoj obrnite na servisno službo EGO.

**OPOMBA:** Razen orodja, ki je navedeno v spodnji vsebini paketa, so vsa druga orodja, ki so omenjena v priročnikih, le priporočena, niso pa priložena.

**OPOMBA:** Ne odstranjujte penastega bloka pod volanom, dokler volan ni pravilno nameščen. Vibracije med premikanjem lahko povzročijo poškodbe volana.

### VSEBINA PAKETA (SL. B)

B-1	Kosilnica s sedežem in možnostjo obračanja na mestu	B-2	Sedež
B-3	Priključek za mulčenje	B-4	Vijaki z udrti glavo (2 za rezervo)
B-5	Šestkotni ključ	B-6	Nasadni ključ
B-7	Odpri ključ	B-8	Varnostni ključ
B-9	Hitra spojka za vodni priklop	B-10	Priročnik z navodili za uporabo

SL

## SESTAVLJANJE

### NAMESTITEV SEDEŽA (sl. C1 – C4)

**⚠ OPOZORILO:** Varnostnega zaklepne sistema ni dovoljeno odklopiti ali zaobiti. Posledično lahko začne kosilnica nepričakovano delovati, kar lahko povzroči telesno poškodbo.

**OPOMBA:** Zaradi vaše varnosti lahko kosilnica preneha delovati, če se med vožnjo sedež odklopi. V tem primeru si za več informacij oglejte razdelek „ODPRAVLJANJE TEŽAV“.

C1-1	Vtičnica	C1-2	Vtikač
C1-3	Kabel	C2-1	Sedežna roka
C2-2	Vzmetno podnožje	C2-3	Imbus ključ
C2-4	Vijaki z udrti glavo	C2-5	Vzvod za prilagajanje položaja sedeža
C3-1	Jeklene tirnice	C3-2	Imbus ključ
C3-3	Vijaki z udrti glavo	C4-1	Kavelj

### NAMESTITEV VOLANA (sl. C5 – C6)

C5-1	Zaklepni vijak	C5-2	Bar
C6-1	Pritrdilni blok	C6-2	Reža
C6-3	Ščitnik za volan		

### PRITRDITEV PRIKLJUČKA ZA MULČENJE (sl. C7)

C7-1	Stranski deflektor za izmet	C7-2	Priključek za mulčenje
C7-3	Premična vzmet		

**SL**

## PRILAGAJANJE

### PRED PRILAGAJANJEM (slika D1)

### PRILAGAJANJE VIŠINE POKROVA ZA KOŠNJO (sl. D2)

### PRILAGAJANJE KOLES, KI NE ZADANEJO OB TLA (sl. D3 – D6)

D3-1	Kolo, ki ne zadane ob tla	D5-1	Matica
D5-2	Kolesna matica	D6-1	Oznaka višine pokrova

### NASTAVITEV SEDEŽA (slika D7)

D7-1	Vzvod za prilagajanje položaja sedeža	D7-2	Gumb za prilagoditev vzmetenja sedeža
------	---------------------------------------	------	---------------------------------------

### NASTAVITEV VOLANA (slika D8)

D8-1	Zaklepni vijak	D8-2	Bar
D8-3	Pritrdilni blok	D8-4	Reža

## UPRAVLJANJE

### PRED ZAGONOM (sl. E1)

### NASTAVITEV PARKIRNE ZAVORE (sl. E2)

E2-1	Sproščen položaj	E2-2	Zavorni položaj
------	------------------	------	-----------------

**OPOMBA:** Nikoli ne pritiskajte na pedal parkirne zavore, da bi zmanjšali hitrost. Ko je stopalka parkirne zavore dovolj pritisnjena, vendar ne do polnega parkirnega položaja, se bo kosilnica na ravni površini ustavila, če pa se to zgodi na pobočju, lahko kosilnica zdrsne po pobočju.

### NAMEŠČANJE/ODSTRANJEVANJE

### AKUMULATORSKEGA SKLOPA (sl. E3 – E6)

Za zagon te kosilnice morate uporabiti akumulator EGO s skupno močjo 15 Ah (2 X BA4200T/BA4200T) ali več. Za najboljše delovanje priporočamo uporabo akumulatorja EGO s skupno močjo 30 Ah ali več.

E3-1	Gumb za sprostitvev pokrova	E5-1	Gumb za sprostitvev akumulatorja
------	-----------------------------	------	----------------------------------

### POLNJENJE KOSILNICE

Uporabljajte samo priporočene akumulatorske sklope in polnilnike.

- Ločeno napolnite akumulator(je) (slika E7)

**OPOMBA:** Za podrobna navodila glejte ustrezne priročnike za akumulator in polnilnik.

- Napolnite akumulatorske sklope prek polnilnih vrat (sl. E8-E10)

E10-1	Protiprašni pokrovček	E10-2	Polnilna vrata
-------	-----------------------	-------	----------------

### PREIZKUŠANJE VARNOSTNEGA ZAKLEPNEGA SISTEMA

- Za preizkus sistem pokrova in rezila (sl. E11 – E12)
- Za preizkus pogonskega sistema (sl. E13 – E14)

Če se sistem pokrova in rezila in/ali sistem vožnje ne zaustavi, ko voznik vstane s sedeža in če ne morete določiti vzroka, potem ko ste potrdili, da sta vtičnik in vtičnica sedeža dobro priključena, se takoj obrnite na servisni center za stranke EGO.

## KONTROLNI SEZNAM PRED ZAGONOM

- Prepričajte se, da v delovnem območju ni otrok, opazovalcev ali hišnih ljubljencev.
- Iz delovnega območja odstranite vse predmete, ki bi jih lahko rezila kosilnice razmetala naokoli.
- S kosilnice očistite ostanke.
- Preverite ohlapne pritrdilne elemente.
- Preverite, ali so vsa varovala na mestu in pravilno delujejo.
- Vizualno preverite, ali je pnevmatika morda prazna.
- Preverite delovanje zavor.
- Nastavite višino plošče na zeleni položaj košnje, ki je najbolj primeren za trato, in ustrezno prilagodite kolesa proti skalpu.
- Prilagodite položaj sedeža in se prepričajte, da lahko dosežete oba pedala.
- Po potrebi nastavite volan v zeleni položaj.
- Preverite raven napolnjenosti akumulatorja.
- Preverite varnostni zaklepni sistem.

## ZAGON KOSILNICE (sl. E15 – E16)

**⚠ OPOZORILO:** Izogibajte se nenadnim zagonom, zaustavitvam in zavojem ter velikemu pospeševanju hitrosti, še posebej ko se prvič učite upravljati kosilnico. Kosilnica se lahko hitro zavrti, zaradi česar lahko izgubite nadzor in povzroči resne telesne poškodbe in/ali škodo.

**⚠ OPOZORILO:** Preden kosilnico zaženete, preverite rezila in se prepričajte, da se deaktivirajo v 5 sekundah, če stikalo priključne gredi potisnete navzdol. Če se rezila ne nehajo vrteti, kosilnice ne smete uporabiti in se takoj obrnite na servisno službo za stranke podjetja EGO.

**OPOMBA:** Upoštevajte slike E17 in E18, da nastavite najnižjo hitrost vožnje in STANDARDNI način vožnje, dokler ne boste popolnoma sposobni upravljati kosilnice v vseh situacijah.

Kosilnica bo shranila prejšnji način vožnje, hitrost vožnje in kalibracijo volan in jih prikazala ob ponovnem zagonu.

## PRILAGODITEV VOZNEGA NAČINA (sl. E17)

- **CONTROL:** manj pospeševanja; manj občutljivo krmiljenje in manjša hitrost v zavojih za zaščito trave in za nove uporabnike.
- **STANDARD:** popolno za vsakodnevno uporabo.
- **SPORT:** večje pospeševanje, natančno krmiljenje in ostri zavoji za največjo učinkovitost košnje in za navdušence nad košnjo.

**OPOMBA:** Voznega načina ni mogoče prilagoditi med vožnjo. Funkcija se bo aktivirala šele, ko so kolesa kosilnice ustavljena.

## Prilagoditev hitrosti vožnje (sl. E18)

**OPOMBA:** V načinu „TURBO“ pritisnite “–“, hitrost vožnje se bo vrnila na prejšnji način.

## Prilagoditev hitrosti rezila (sl. E19)

### Lučke LED

- Žarometi, stranske luči in zadnje luči se upravljajo prek stikala za LED-luči.
- Dnevne luči morajo biti med vožnjo vedno vklopljene.
- Če so med vzvratno vožnjo zadnje luči izklopljene, bodo utripale, da bodo s tem opozorile opazovalce; če so vklopljene, bodo ostale vklopljene.
- Vse luči se bodo samodejno izklopile, ko se kosilnica samodejno izklopi po obdobju brez delovanja.

SL

### Vrata USB

**OPOMBA:** Vrata USB zagotavljajo moč polnjenja s 5 V enosmernega toka pri kombinirani vleki 1,5 A in se napajajo le takrat, ko je kosilnica vklopljena.

## ZAUSTAVITEV KOSILNICE (sl. E20)

**OPOMBA:** Če kosilnice 60 minut ne boste uporabljali, se bo samodejno izklopila.

### Način Limp-Home

Ko postane napolnjenost akumulatorja kritično nizka, bo kosilnica prešla v način Limp-Home, da ohrani dovolj energije za pot nazaj v območje polnjenja.

- Rezila preklopijo na nizko hitrost vrtenja, s čimer lahko pokosite le zelo malo trave. Ko naletite na visoko in gosto travo, se rezila nehajo vrteti. Zvočni indikator se bo oglasil (piskal) v presledkih.

- Indikator stanja kosilnice bo vsako sekundo utripnil rdeče, indikator nizke napolnjenosti in grafika akumulatorja na merilniku goriva bosta utripala.

Voznik mora:

- Potisniti stikalo PTO navzdol, da izklopi motorje rezil. Zvočni indikator bo prenehal piskati, ko se bodo motorji rezila zaustavili.
- Prenehajte z delom in se čim prej odpravite na območje polnjenja. Največja razdalja, ki jo lahko opravi kosilnica, znaša 1000 m.

Ko je akumulator skoraj prazen, bosta ikona vsakega zasedenega predela akumulatorja in indikator nizkega stanja energije utripnila vsake pol sekunde. Kosilnica bo v trenutku prenehala delovati. Voznik mora odpeljati kosilnico v območje za polnjenje, da se napolni.

**OPOMBA:** Če morate kosilnico potisniti ročno, se prepričajte, da je akumulator odklopljen s kosilnice in stopalka parkirne zavore ni več v položaju za zaviranje.

## VOŽNJA KOSILNICE (sl. E21)

**⚠ NEVARNOST:** Ostanite vsaj za dve širini košnje od vseh jarkov, prepadov ali vode. Sprednji kolesi se lahko vrtita, ko je kosilnica zaustavljena, tudi če je aktivirana zavora, kar pomeni, da se lahko kosilnica premakne čez rob ali v vodo ter tako povzroči smrt ali resne telesne poškodbe.

**⚠ OPOZORILO:** Preden zapeljete vzvratno, preverite, kaj je za kosilnico. NE kosite vzvratno, razen če je to nujno potrebno. Med vzvratno vožnjo vedno pogledujte navzdol in za vami ter se tako prepričajte, da v območju košnje ni nobenih otrok, opazovalcev ali živali. Upoštevajte, da je samo delček sekunde nepazljivosti dovolj, da pride do smrti ali hude telesne poškodbe.

**⚠ OPOZORILO:** Stroja ne vozite po javnih cestah.

**⚠ OPOZORILO:** Če pride do blokade ali zadenete ob neznani predmet, ustavite motorje in odstranite akumulator. Odstranite odrezke trave, listje, umazanijo in vse druge nakopičene ostanke; temeljito pregledajte, ali je kosilnica poškodovana ter popravite poškodbe, preden znova zaženete in uporabite kosilnico.

## UPORABA TEMPOMATA (CCS)

### Za aktiviranje CCS med vožnjo (slika E22)

**OPOMBA:** Stopnja hitrosti vožnje, prikazana na LCD-zaslonu, morda ne predstavlja natančno dejanske hitrosti vožnje kosilnice pri tempomatu. Pritisnite enega od gumbov za nastavitev hitrosti ("←" ali "→"), da "osvežite" in prilagodite stopnjo hitrosti vožnje na LCD zaslonu.

**Če želite zapustiti CCS in zaustaviti kosilnico, lahko izberete enega od štirih načinov:**

- Rahlo pritisnite na pedal za plin in ga nato spustite.
- Povlecite kljuko pokrova/priklop za prikolico proti operaterju in nato spustite.
- Pritisnite na stopalko parkirne zavore.
- Pritisnite gumb CCS.

**OPOMBA:** Pritisnite na pedal za plin do konca, da dosežete trenutno hitrost vožnje CCS, in ga še naprej pritiskajte. Funkcija CCS se bo ustavila in kosilnica bo nadaljevala vožnjo s trenutno hitrostjo.

## VZDRŽEVANJE

**⚠ OPOZORILO:** Vedno nosite zaščito za oči, ki ima varovanje tudi s strani. Če tega ne storite, vam lahko v oči priletijo predmeti, kar lahko povzroči hude poškodbe.

**⚠ OPOZORILO:** Pri izvajanju vzdrževanja na rezilu kosilnice dlani vedno zaščitite z robustnimi rokavicami ali robove rezila ovijte s krpami ali drugim materialom. Pri servisiranju ali transportu kosilnice vedno odstranite varnostni ključ in akumulatorski sklop.



Servisni interval vzdrževanja	Postopek vzdrževanja
Pred vsako uporabo ali vsak dan	<ul style="list-style-type: none"> <li>Preverite varnostni zaklepni sistem.</li> <li>Vizualno preverite, ali je pnevmatika morda prazna.</li> <li>Preglejte rezila.</li> <li>Celoten izdelek preglejte za poškodovane, manjkajoče ali zrahljanje dele, kot so stranski deflektor za izmet, vijaki, matice, sorniki, pokrovi itd., ter se prepričajte, da so vse zaščitne nameščene in ustrezno delujejo.</li> <li>Preverite in se prepričajte, ali je pedal za plin mogoče pravilno pritisniti in sprostiti.</li> <li>Preverite blažilnik volana. Volan je treba vrteti z določenim uporom.</li> </ul>
Po vsaki uporabi	<ul style="list-style-type: none"> <li>Očistite pokrov kosilnice.</li> </ul>
Vsakih 25 ur	<ul style="list-style-type: none"> <li>Preverite tlak v pnevmatikah.</li> </ul>
Vsakih 100 ur	<ul style="list-style-type: none"> <li>Preverite zadnji kolesi in se prepričajte, da so vse kolesne matice zategnjene s priporočenim navorom.</li> </ul>
Vsakih 200 ur	<ul style="list-style-type: none"> <li>Preverite sprednji kolesi in se prepričajte, da se prosto vrtita.</li> </ul>
Pred skladiščenjem	<ul style="list-style-type: none"> <li>Iz kosilnice odstranite akumulatorje.</li> <li>Iz kosilnice odstranite varnostni ključ.</li> <li>Izvedite vse zgoraj navedene vzdrževalne postopke in kosilnico temeljito očistite.</li> <li>Preglejte celoten izdelek glede poškodovanih, manjkajočih ali zrahljanih delov, zamenjajte ali privijte ustrezne dele pred shranjevanjem.</li> </ul>

Letno	<ul style="list-style-type: none"> <li>Preverite stopalko parkirne zavore. Odstranite akumulator iz kosilnice in nastavite stopalko parkirne zavore na položaj za zaviranje. Ročno pritisnite kosilnico naprej, da preverite, ali se lahko kosilnica premakne ali ne. Če se premakne, naj jo usposobljen serviser popravi.</li> </ul>
-------	---

## SPLOŠNO VZDRŽEVANJE

### Čiščenje ohišja kosilnice (sl. F1 – F2)

### Uporaba odprtine za pranje za čiščenje pokrova kosilnice (sl. F3 – F4)

F2-1	Vodni priklon	F2-2	Hitra spojka za vodni priklon
F2-3	Vrtna cev		

**OPOMBA:** Ko končate s čiščenjem, popolnoma izklopite kosilnico in nato odstranite vrtno cev in hitro spojko.

## VZDRŽEVANJE POKROVA KOSILNICE IN REZIL

### PRIPRAVA (slika G1)

### Odstranitev pokrova kosilnice (sl. G2 – G3)

G2-1	Kabel motorja	G2-2	Spoj vzmetenja
G2-3	Razcepka		

**OPAZITI:** Pri odstranitvi pokrova kosilnice odklopite vse kable motorja in razcepke.

### Zamenjava rezil (sl. G4 – G6)

G4-1	Stabilizator	G5-1	Sornik
G5-2	Podložka	G5-3	Rezilo
G5-4	Prirobnica	G5-5	Gred motorja

### Izravnava pokrova kosilnice

#### a. Kdaj izravnati (sl. G7 – G9)

#### b. Pred izravnavo

- Preverjanje tlaka pri hladni pnevmatiki (sl. G10)
- Preverite rezila. Obrabljena, počena in/ali ukrivljena rezila po potrebi odstranite in zamenjajte.

#### c. Priprava za izravnavo (slika G11)

SL

#### d. Način izravnave

- Prilagajanje od ene do druge strani (sl. G12)
- Prilagajanje od spredaj nazaj (sl. G13)

### UMERJANJE SISTEMA ZA SLEDENJE KOSILNICE (sl. H1 – H2)

**OPOMBA:** Indikator piskanja se bo sprostil dvakrat: enkrat ob začetku umerjanja in po končanem umerjanju.

**OPOMBA:** Umerjanje, opravljeno za enega od načinov vožnje (»CONTROL«, »STANDARD«, »SPORT«), morda ni na voljo za druga dva načina. Po potrebi umerite volan v vsakem načinu vožnje posebej.

### PONASTAVITEV KOSILNICE NA ZAČETNE TOVARNIŠKE NASTAVITVE (sl. I)

**OPOMBA:** Indikator piskanja se bo sprostil dvakrat: enkrat ob začetku ponastavitve in po končani ponastavitvi.

**OPOMBA:** Ko je ponastavitev uspešna, se bodo spodnje nastavitve vrnila na začetne tovarniške nastavitve:

- način vožnje
- hitrost vožnje
- kalibracija volana

SL

## SHRANJEVANJE IN PREVOZ

### PREVAŽANJE KOSILNICE (sl. J1 – J5)

**OPOMBA:** Kosilnico ustrezno pritrdite s trakovi ali kabli, da se ne bo med prevozom premikala.

### SKLADIŠČENJE (sl. K1 – K2)

**OPOMBA:** Odstranite akumulatorske sklope in shranite akumulatorje. Oglejte si ustrezne priročnike.

Pred shranjevanjem očistite in preverite kosilnico. Oglejte si razdelka „ČIŠČENJE KOSILNICE“ in „PRIPOROČENI NAČRTI VZDRŽEVANJA“.

### Varovanje okolja



Odpadna električna in elektronska oprema: električne opreme, rabljenih akumulatorjev in polnilnika ne odvrzite med gospodinjske odpadke. Izdelek odnesite v pooblaščen obrat za recikliranje in ga zavrzite ločeno. Električna orodja je treba odnesti na obrat za recikliranje in ga reciklirati na okolju prijazen način.




## ODPRAVLJANJE TEŽAV

TEŽAVA	VZROK	REŠITEV
Kosilnica s sedežem in možnostjo obračanja na mestu ne deluje, ko je pedal za plin pritisnjen.	<ul style="list-style-type: none"> <li>▪ Kombinirana zmogljivost Ah vstavljenega akumulatorja ne izpolnjuje zahteve.</li> </ul>	<ul style="list-style-type: none"> <li>▪ Za zagon te kosilnice uporabite zadostno število baterij EGO v skladu z navodili v poglavju »<b>PRIKLJUČITEV/ ODSTRANJEVANJE BATERIJSKEGA SKLOPA</b>« v tem priročniku.</li> </ul>
	<ul style="list-style-type: none"> <li>▪ Stopalka parkirne zavore je v položaju za zaviranje.</li> </ul>	<ul style="list-style-type: none"> <li>▪ Do konca pritisnite stopalko parkirne zavore, da jo sprostite iz položaja za zaviranje.</li> </ul>
	<ul style="list-style-type: none"> <li>▪ Kljuka pokrova in priklop za prikolico nista na kratko povlečena proti upravljavcu, da indikator stanja kosilnice sveti zeleno ob zagonu kosilnice.</li> </ul>	<ul style="list-style-type: none"> <li>▪ Hkratno povlecite TAKO kljuko pokrova kot priklop za prikolico proti upravljavcu in ju nato spustite. Indikator stanja kosilnice bo svetil zeleno, kar pomeni, da je kosilnica pripravljena za zagon.</li> </ul>
	<ul style="list-style-type: none"> <li>▪ Voznik ne sedi na sedežu.</li> </ul>	<ul style="list-style-type: none"> <li>▪ Voznik lahko pravilno upravlja kosilnico samo takrat, ko pravilno sedi na svojem sedežu.</li> </ul>
	<ul style="list-style-type: none"> <li>▪ Stikalo sedeža ni pravilno priključeno.</li> </ul>	<ul style="list-style-type: none"> <li>▪ Odstranite akumulator iz kosilnice in razstavite sedež v obratnem vrstnem redu navodil v razdelku »<b>NAMESTITEV SEDEŽA</b>« v tem priročniku, da se prepričate, da je kabelski vtič pravilno priključen v vtičnico na dnu sedeža. Znova sestavite sedeže in upoštevajte navodila v razdelku „<b>ZAGON KOSILNICE</b>“, da znova zaženete kosilnico in preverite, ali jo je mogoče zagnati. Če se kosilnica ne zažene, se obrnite na kvalificiranega serviserja.</li> </ul>
	<ul style="list-style-type: none"> <li>▪ V izjemno hladnem vremenu se vozna funkcija morda ne bo zagnala uspešno zaradi nizke temperature zaščite.</li> </ul>	<ul style="list-style-type: none"> <li>▪ Kosilnico in akumulator vedno shranjujte v toplem prostoru. Ko se kosilnica segreje, jo znova zaženite. V izjemno hladnem vremenu ne poskušajte kosilnice zagnati večkrat zapored, saj jo lahko tako poškodujete.</li> </ul>
	<ul style="list-style-type: none"> <li>▪ Pot pedala za plin je zamašena z drobci.</li> </ul>	<ul style="list-style-type: none"> <li>▪ Preverite, ali so v njej ostanki, in jih odstranite.</li> </ul>
	<ul style="list-style-type: none"> <li>▪ Okvara mehanskih ali elektronskih komponent pedala za plin.</li> </ul>	<ul style="list-style-type: none"> <li>▪ Za popravilo se obrnite na strokovno usposobljenega serviserja.</li> </ul>

SL

TEŽAVA	VZROK	REŠITEV
Kosilnica z možnostjo obračanja na mestu se ustavi.	<ul style="list-style-type: none"> <li>▪ Kljuka pokrova/priklop za prikolico zahteva "ponastavitev".</li> </ul>	<ul style="list-style-type: none"> <li>▪ Kljuko pokrova/pokrov za prikolico povlecite proti operaterju in ju nato spustite. Kosilnica je pripravljena za vožnjo, ko indikator stanja sveti zeleno.</li> </ul>
	<ul style="list-style-type: none"> <li>▪ Okvara elektronskih komponent pedala za plin.</li> </ul>	<ul style="list-style-type: none"> <li>▪ Za popravilo se obrnite na strokovno usposobljenega serviserja.</li> </ul>
	<ul style="list-style-type: none"> <li>▪ Varnostni sistem zaklepanja sedeža se je med vožnjo po grobem terenu odklopil.</li> </ul>	<ul style="list-style-type: none"> <li>▪ Odstranite akumulator iz kosilnice in razstavite sedež v obratnem vrstnem redu navodil v razdelku »<b>NAMESTITEV SEDEŽA</b>« v tem priročniku, da se prepričate, da je kabelski vtič pravilno priključen v vtičnico na dnu sedeža. Znova sestavite sedeže in upoštevajte navodila v razdelku »<b>ZAGON KOSILNICE</b>«, da znova zaženete kosilnico in preverite, ali jo je mogoče zagnati. Če se kosilnica ne zažene, se obrnite na kvalificiranega serviserja.</li> </ul>
	<ul style="list-style-type: none"> <li>▪ Teža voznik ni enakomerno porazdeljena po sedežu. Teža upravljalca na sedežu mora biti vsaj 20 kg, da varnostni sistem zaklepanja sedeža deluje pravilno</li> </ul>	<ul style="list-style-type: none"> <li>▪ Pravilno se usedite na sedež, povlecite kljuko pokrova/priklop za prikolico ali oba dela proti operaterju in ju spustite, kosilnica je pripravljena za vožnjo.</li> </ul>
	<ul style="list-style-type: none"> <li>▪ Pedal parkirne zavore je pritisnjen, da upočasnijo hitrost vožnje. Ko je stopalka parkirne zavore dovolj pritisnjena, vendar ne do parkirnega položaja, se bo kosilnica ustavila.</li> </ul>	<ul style="list-style-type: none"> <li>▪ Odklopite in po potrebi znova pritrdite akumulator.</li> </ul>
Voznega načina ni mogoče prilagoditi med vožnjo.	<ul style="list-style-type: none"> <li>▪ To je značilnost kosilnice s sedežem in možnostjo obračanja na mestu, ki omogoča varno vožnjo.</li> </ul>	<ul style="list-style-type: none"> <li>▪ Za ponovni zagon kosilnice sledite navodilom v razdelku »<b>ZAGON KOSILNICE</b>«.</li> </ul>
		<ul style="list-style-type: none"> <li>▪ Funkcija se bo aktivirala šele, ko so kolesa kosilnice ustavljena.</li> </ul>

TEŽAVA	VZROK	REŠITEV
<p>Ob vklopu stikala PTO kosilnica s sedežem in možnostjo obračanja na mestu ne zažene rezil.</p>  Ikona stikala PTO utripa.	<ul style="list-style-type: none"> <li>Kombinirana zmogljivost Ah vstavljenega akumulatorja ne izpolnjuje zahteve.</li> </ul>	<ul style="list-style-type: none"> <li>Za zagon te kosilnice uporabite zadostno število baterij EGO v skladu z navodili v poglavju »PRIKLJUČITEV/ ODSTRANJEVANJE BATERIJSKEGA SKLOPA« v tem priločniku.</li> </ul>
	<ul style="list-style-type: none"> <li>Stikalo PTO ni bilo pritisnjeno, ko ste nazadnje izklopili kosilnico.</li> </ul>	<ul style="list-style-type: none"> <li>Potisnite stikalo PTO navzdol in nato navzgor, da ponovno zaženete motorje rezil.</li> </ul>
	<ul style="list-style-type: none"> <li>Kosilnica je preobremenjena v trenutku, ko se rezila začnejo vrteti, kar sproži samozaščito motorja.</li> </ul>	<ul style="list-style-type: none"> <li>Najprej začnite kositi travo z nizko hitrostjo rezila in ne povečujte hitrosti rezila, dokler se ne začnejo rezila ustrezno vrteti.</li> </ul>
	<ul style="list-style-type: none"> <li>V izjemno hladnem vremenu se motor rezil morda ne bo zagnal uspešno zaradi nizke temperaturne zaščite.</li> </ul>	<ul style="list-style-type: none"> <li>Kosilnico in akumulator vedno shranjujte v toplem prostoru. Ko se kosilnica segreje, jo znova zaženite. V izjemno hladnem vremenu ne poskušajte kosilnice zagnati večkrat zapored, saj jo lahko tako poškodujete.</li> </ul>
	<ul style="list-style-type: none"> <li>Rezilo vpliva na deformiran pokrov kosilnice.</li> </ul>	<ul style="list-style-type: none"> <li>Pokličite službo za pomoč uporabnikom EGO.</li> </ul>
	<ul style="list-style-type: none"> <li>Kosilnica se premika s hitrostjo "TRAVEL".</li> </ul>	<ul style="list-style-type: none"> <li>Ko se kosilnica premika s hitrostjo »TRAVEL«, se motorji rezil samodejno ustavijo.</li> </ul>

TEŽAVA	VZROK	REŠITEV
Med košnjo trave rezila prenehajo delovati.	<ul style="list-style-type: none"> <li>▪ Kosilnica je preobremenjena.</li> </ul>	<ul style="list-style-type: none"> <li>▪ Dvignite višino košnje ali upočasnite vožnjo, da zmanjšate obremenitev kosilnice.</li> </ul>
	<ul style="list-style-type: none"> <li>▪ Pokrov kosilnice je zamašen s travo in delci.</li> </ul>	<ul style="list-style-type: none"> <li>▪ Očistite pokrov kosilnice in se prepričajte, da se lahko rezila prosto premikajo.</li> </ul>
	<ul style="list-style-type: none"> <li>▪ Kosilnica je pregreta.</li> </ul>	<ul style="list-style-type: none"> <li>▪ Zmanjšajte obremenitev kosilnice, tako da dvignete višino košnje ali upočasnite vrtenje rezil/hitrost vožnje ter omogočite kosilnici, da se ohladi.</li> </ul>
	<ul style="list-style-type: none"> <li>▪ Akumulatorski sklopi v predelu za akumulatorje v kosilnici so pregreti, kar povzroči, da kombinirana zmogljivost Ah vseh vstavljenih akumulatorjev ni v skladu z zahtevo.</li> </ul>	<ol style="list-style-type: none"> <li>1. Kosilnica bo še naprej delovala, če bo zmogljivost kombiniranega akumulatorja brez pregretega akumulatorja v skladu z zahtevo. Ko bo pregret akumulator znova deloval z normalno temperaturo, se bo takoj pridružil napajanju kosilnice.</li> </ol>
		<ol style="list-style-type: none"> <li>2. Če je kombinirana zmogljivost akumulatorjev ni v skladu z zahtevo, kosilnica ne bo delovala, dokler ne boste v prazne predelke za akumulatorje vstavili še več akumulatorskih sklopov.</li> </ol>
		<ol style="list-style-type: none"> <li>3. Zmanjšajte obremenitev kosilnice, tako da dvignete višino košnje ali upočasnite košnjo pri nadaljnjem delu.</li> </ol>
	<ul style="list-style-type: none"> <li>▪ Kosilnica je v načinu Limp-Home.</li> </ul>	<ul style="list-style-type: none"> <li>▪ Ko je kosilnica v načinu Limp-Home, rezila samodejno preklopijo v nizko hitrost vrtenja. Voznik mora prenehati delati in se čim prej vrniti v območje za polnjenje akumulatorja.</li> </ul>
	<ul style="list-style-type: none"> <li>▪ Kosilnica je zadela ob tujek, kar je sprožilo samozaščito motorja.</li> </ul>	<ul style="list-style-type: none"> <li>▪ Potisnite stikalo PTO navzdol in nato navzgor, da ponovno zaženete motorje rezil.</li> </ul>
<ul style="list-style-type: none"> <li>▪ Hitrost kosilnice je nastavljena na način „TRAVEL“.</li> </ul>	<ul style="list-style-type: none"> <li>▪ Ko je hitrost kosilnice v načinu „TRAVEL“, se bodo motorji rezila samodejno ustavili.</li> </ul>	
Zvočni indikator se še naprej oglašča.	<ul style="list-style-type: none"> <li>▪ Kosilnica je v načinu Limp-Home in rezila niso izklopljena.</li> </ul>	<ul style="list-style-type: none"> <li>▪ Potisnite stikalo PTO navzdol, da izklopite motorje rezil. Zvočni indikator bo prenehal piskati, ko se bo rezilo izklopilo.</li> </ul>
	<ul style="list-style-type: none"> <li>▪ Kosilnica se ne pobočju zaustavi, voznik vstane s sedeža, ne da bi nastavil stopalko parkirne zavore v položaj za zaviranje.</li> </ul>	<ul style="list-style-type: none"> <li>▪ Preden pustite kosilnico na pobočju, nastavite stopalko parkirne zavore v položaj za zaviranje.</li> </ul>

**SL**

TEŽAVA	VZROK	REŠITEV
Indikatorji akumulatorja so še vedno vklopljeni, ko je kosilnica izklopljena.	<ul style="list-style-type: none"> <li>▪ Če izklopite kosilnico na tleh, ne da bi odstranili akumulatorske sklope iz kosilnice, bodo indikatorji akumulatorja, gumb za zagon/ustavitev in gumb CCS svetili še nekaj časa.</li> </ul>	<ul style="list-style-type: none"> <li>▪ Nobeno dejanje ni potrebno. Indikatorji akumulatorja se bodo po določenem času izklopili, ko se bo kosilnica ugasnila. Za točen čas glejte razdelek „<b>ZAUSTAVITEV ELEKTRIČNE KOSILNICE</b>“.</li> </ul>
	<ul style="list-style-type: none"> <li>▪ Če izklopite kosilnico na pobočju, ne da bi nastavili parkirno zavoro v položaj za parkiranje, bodo indikatorji akumulatorja svetili, dokler ne bo akumulator izpraznjen. Hkrati se bo ves čas oglašal tudi zvočni indikator.</li> </ul>	<ul style="list-style-type: none"> <li>▪ Preden pustite kosilnico na pobočju, nastavite stopalko parkirne zavore v položaj za zaviranje.</li> </ul>
Zaslon LCD ni osvetljen z vsemi ikonami.	<ul style="list-style-type: none"> <li>▪ Gumb za zagon/zaustavitev je bil pritisnjen dovolj dolgo.</li> </ul>	<ul style="list-style-type: none"> <li>▪ Na zaslonu LCD bo prikazan „merilnik goriva“ le, če boste gumb za zagon/zaustavitev pritisnili na hitro.</li> </ul>
		<ul style="list-style-type: none"> <li>▪ Zaslon LCD se bo vklopil, če boste gumb za zagon/zaustavitev pritiskali dovolj dolgo.</li> </ul>
Kosilnica reže neenakomerno, tako da je razlika v višini spredaj in zadaj zelo opazna.	<ul style="list-style-type: none"> <li>▪ Rezila so topa.</li> </ul>	<ul style="list-style-type: none"> <li>▪ Nabusite ali zamenjajte rezila v skladu z navodili.</li> </ul>
	<ul style="list-style-type: none"> <li>▪ Rezila so zvita.</li> </ul>	<ul style="list-style-type: none"> <li>▪ Zvita rezila zamenjajte v skladu z navodili v razdelku „<b>ZAMENJAVA REZIL</b>“.</li> </ul>
	<ul style="list-style-type: none"> <li>▪ Pokrov kosilnice ni izravnán, zato je trava porezana na različni višini.</li> </ul>	<ul style="list-style-type: none"> <li>▪ Pokrov kosilnice izravnajte v skladu z navodili v razdelku „<b>IZRAVNAVA POKROVA KOSILNICE</b>“.</li> </ul>
Dejanska višina rezanja ni usklajena z nastavljenó višino.	<ul style="list-style-type: none"> <li>▪ Matice pokrova kosilnice na spoju vzmetenja so zrahljane.</li> </ul>	<ul style="list-style-type: none"> <li>▪ Upoštevajte navodila v razdelku „<b>IZRAVNAVA POKROVA KOSILNICE</b>“, da ustrezno prilagodite pokrov kosilnice od spredaj nazaj, ter trdno privijte matice na spoju vzmetenja.</li> </ul>
	<ul style="list-style-type: none"> <li>▪ Pokrov kosilnice je poškodovan ali hudo obrabljen.</li> </ul>	<ul style="list-style-type: none"> <li>▪ Za zamenjavo pokrova kosilnice upoštevajte navodila v razdelku „<b>ODSTRANITEV POKROVA KOSILNICE</b>“.</li> </ul>
Kosilnica ne mulči pravilno.	<ul style="list-style-type: none"> <li>▪ Drobcí mokre trave so se nalepili na spodnjo stran pokrova.</li> </ul>	<ul style="list-style-type: none"> <li>▪ Pred košenjem počakajte, da se trava posuši.</li> </ul>
	<ul style="list-style-type: none"> <li>▪ Kosilnica je nastavljena tako, da kosi preveč trave naenkrat.</li> </ul>	<ul style="list-style-type: none"> <li>▪ Dvignite višino košnje.</li> </ul>

TEŽAVA	VZROK	REŠITEV
Prihaja do pretiranih vibracij.	<ul style="list-style-type: none"> <li>▪ Rezila so zrahljana.</li> </ul>	<ul style="list-style-type: none"> <li>▪ Zategnite sornik rezila s priporočenim navorom.</li> </ul>
	<ul style="list-style-type: none"> <li>▪ Rezila so zvita.</li> </ul>	<ul style="list-style-type: none"> <li>▪ Zvita rezila zamenjajte v skladu z navodili v razdelku „<b>ZAMENJAVA REZIL</b>“.</li> </ul>
	<ul style="list-style-type: none"> <li>▪ Pokrov kosilnice ni izravnán.</li> </ul>	<ul style="list-style-type: none"> <li>▪ Pokrov kosilnice izravnajte v skladu z navodili v razdelku „<b>IZRAVNAVA POKROVA KOSILNICE</b>“.</li> </ul>
	<ul style="list-style-type: none"> <li>▪ Matice pokrova kosilnice na spoju vzmetenja so zrahljane.</li> </ul>	<ul style="list-style-type: none"> <li>▪ Zategnite matice na spoju vzmetenja.</li> </ul>
	<ul style="list-style-type: none"> <li>▪ Kosilnica je nastavljena tako, da kosi preveč trave naenkrat.</li> </ul>	<ul style="list-style-type: none"> <li>▪ Dvignite višino košnje.</li> </ul>
Po košnji ostanejo na tleh trava ali ostanki.	<ul style="list-style-type: none"> <li>▪ Kosilnica je nastavljena tako, da kosi preveč trave naenkrat, ko je trava visoka.</li> </ul>	<ul style="list-style-type: none"> <li>▪ Začnite na visoki višini košnje in jo postopoma nižajte, dokler ne dosežete zelenega rezultata košnje. Travo, ki je višja od 152 mm, morate kositi dvakrat, pri čemer nastavite vedno nižjo višino.</li> </ul>
	<ul style="list-style-type: none"> <li>▪ Trava je mokra.</li> </ul>	<ul style="list-style-type: none"> <li>▪ Če je trava mokra, je ne kosite, dokler se ne posuši.</li> </ul>
	<ul style="list-style-type: none"> <li>▪ Visoka hitrost vožnje.</li> </ul>	<ul style="list-style-type: none"> <li>▪ Upočasnite hitrost vožnje.</li> </ul>
	<ul style="list-style-type: none"> <li>▪ Počasna hitrost rezila.</li> </ul>	<ul style="list-style-type: none"> <li>▪ Hitrost rezil povečujte postopoma.</li> </ul>
<b>SL</b> Kratek čas delovanja kosilnice s priloženim akumulatorjem.	<ul style="list-style-type: none"> <li>▪ Travnat teren, stanje trave, nastavitve višine košnje, hitrost vožnje, hitrost rezila itd. bodo močno vplivali na čas delovanja.</li> </ul>	<ul style="list-style-type: none"> <li>▪ Dvignite višino košnje in upočasnite hitrost rezila, da zmanjšate obremenitev kosilnice.</li> </ul>
Kosilnica ne sledi v ravni liniji.	<ul style="list-style-type: none"> <li>▪ Tlak v pnevmatikah za levo in desno zadnjo pnevmatiko je različen.</li> </ul>	<ul style="list-style-type: none"> <li>▪ Preverite in prilagodite zračni tlak v obeh pnevmatikah zadnjega kolesa v skladu z razdelkom „<b>SPECIFIKACIJE</b>“.</li> </ul>
	<ul style="list-style-type: none"> <li>▪ Hitrost vožnje za levo in desno zadnje kolo je različna.</li> </ul>	<ul style="list-style-type: none"> <li>▪ Umerite volan v skladu z navodili v razdelku „<b>UMERJANJE SISTEMA SLEDENJA KOSILNICE</b>“.</li> </ul>
Stopalke parkirne zavore ni mogoče sprostiti iz zavornega položaja ali pa skoči nazaj prepočasi.	<ul style="list-style-type: none"> <li>▪ V stopalko parkirne zavore so morda zašli ostanki ali umazanija.</li> </ul>	<ul style="list-style-type: none"> <li>▪ Odprite ohišje stopalke parkirne zavore, temeljito očistite notranost in ga zaprite. Ponastavite stopalko parkirne zavore in preverite, ali ste odpravili težavo. Če se kosilnica ne zažene, se obrnite na kvalificiranega serviserja.</li> </ul>

TEŽAVA	VZROK	REŠITEV
Kosilnice ni mogoče polniti prek polnilnega vhoda, ko indikator stanja kosilnice sveti neprekinjeno rdeče.	<ul style="list-style-type: none"> <li>Vtič polnilnika ni pravilno priključen na polnilna vrata na kosilnici.</li> </ul>	<ul style="list-style-type: none"> <li>Znova priključite vtič polnilnika in preverite, ali lahko polnilnik normalno polnite.</li> </ul>
	<ul style="list-style-type: none"> <li>V stenski vtičnici ni električnega toka.</li> </ul>	<ul style="list-style-type: none"> <li>Nobeno dejanje ni potrebno. Počakajte, da se napajanje obnovi.</li> </ul>
	<ul style="list-style-type: none"> <li>Polnilnik je okvarjen.</li> </ul>	<ul style="list-style-type: none"> <li>Pokličite servisni center EGO za pregled in po potrebi popravite polnilnik.</li> </ul>
	<ul style="list-style-type: none"> <li>Polnilna vrata na kosilnici so okvarjena.</li> </ul>	<ul style="list-style-type: none"> <li>Pokličite službo za pomoč uporabnikom EGO.</li> </ul>
Čas polnjenja prek polnilnih vrat kosilnice je predolg.	<ul style="list-style-type: none"> <li>Pri uporabi adapterja EGO ACA1000 traja polnjenje dolgo časa.</li> </ul>	<ul style="list-style-type: none"> <li>Za neposredno napajanje kosilnice s sedežem in možnostjo obračanja na mestu uporabite polnilnik EGO CHV1600E.</li> </ul>
Akumulatorja ni mogoče popolnoma napolniti prek polnilnih vrat kosilnice.	<ul style="list-style-type: none"> <li>Napaka vdelane programske opreme kosilnice ali okvara akumulatorja ali polnilnika.</li> </ul>	<ul style="list-style-type: none"> <li>Polnilnik ponastavite tako, da ga odklopite in počakate več kot nekaj minut. Nato vtič ponovno priključite v vir napajanja. Če to ne pomaga, se obrnite na servisni center družbe EGO.</li> </ul>
Po čiščenju kosilnice ni mogoče zagnati.	<ul style="list-style-type: none"> <li>Nepravilno čiščenje, pri katerem je na primer voda zalila električne komponente, zaslon LCD itd.</li> </ul>	<ul style="list-style-type: none"> <li>Za pravilno čiščenje kosilnice upoštevajte navodila v razdelku „<b>SPLOŠNO VZDRŽEVANJE</b>“.</li> </ul>
		<ul style="list-style-type: none"> <li>Če ste kosilnico po nesreči pustili na dežju, počakajte, da se posuši na zraku, ali pa jo posušite s stisnjenim zrakom.</li> </ul>
Pokrov kosilnice se hitro zamaši.	<ul style="list-style-type: none"> <li>Kosilnica po prejšnji uporabi ni bila pravilno očiščena.</li> </ul>	<ul style="list-style-type: none"> <li>Po vsaki uporabi očistite pokrov kosilnice po navodilih v razdelku „<b>UPORABA VODNEGA PRIKLOPA ZA ČIŠČENJE POKROVA KOSILNICE</b>“.</li> </ul>
Kosilnica takoj izgubi oprijem pri vožnji po hribu navzgor.	<ul style="list-style-type: none"> <li>Pnevmatike zadnjih koles so obrabljene.</li> </ul>	<ul style="list-style-type: none"> <li>Za zamenjavo kolesnih pnevmatik se obrnite na lokalni servis.</li> </ul>
	<ul style="list-style-type: none"> <li>Košnja na strmem pobočju.</li> </ul>	<ul style="list-style-type: none"> <li>Kosilnice ne smete uporabljati za košnjo pobočij, strmejših od navedenega naklona.</li> </ul>
Ko se kosilnica zaustavi na pobočju, stopalka zavornega pedala pa je pritisnjena, lahko kosilnica zdrsne navzdol po pobočju.	<ul style="list-style-type: none"> <li>Komponente zavore so prekomerno obrabljene zaradi nepravilnega delovanja kosilnice.</li> </ul>	<ul style="list-style-type: none"> <li>Za popravilo pokličite center za pomoč strankam EGO.</li> </ul>



TEŽAVA	VZROK	REŠITEV
Med čiščenje pokrova iz vodnega priklopa ne izteka nič vode.	<ul style="list-style-type: none"> <li>▪ Hitra spojka za vodni prikllop ni pravilno nameščena na mesto za vodni prikllop.</li> </ul>	<ul style="list-style-type: none"> <li>▪ Znova namestite hitro spojko za vodni prikllop, dokler po močnem potisku ne zaslišite jasnega klika. Če to ne deluje, pokličite servisni center družbe EGO.</li> </ul>
Pri ročnem potiskanju kosilnice brez zagona se sliši neobičajen zvok.	<ul style="list-style-type: none"> <li>▪ Hrup povzročajo magneti v pogonskem motorju.</li> </ul>	<ul style="list-style-type: none"> <li>▪ To je običajno in nobeno dejanje ni potrebno.</li> </ul>
Volana ni mogoče vrteti.	<ul style="list-style-type: none"> <li>▪ Volanski sklop je zamašen z ostanki.</li> </ul>	<ul style="list-style-type: none"> <li>▪ Preverite, ali so v njej ostanki, in jih odstranite.</li> </ul>
Kosilnica se ne obrača levo/desno, ko se volan vrti.	<ul style="list-style-type: none"> <li>▪ Okvara elektronskih ali mehanskih komponent.</li> </ul>	<ul style="list-style-type: none"> <li>▪ Za popravilo pokličite center za pomoč strankam EGO.</li> </ul>
Ko spustite pedal za plin, se kosilnica ne ustavi.	<ul style="list-style-type: none"> <li>▪ Povratna pot pedala za plin je zamašena z ostanki.</li> </ul>	<ul style="list-style-type: none"> <li>▪ Preverite, ali so v njej ostanki, in jih odstranite.</li> </ul>
	<ul style="list-style-type: none"> <li>▪ Gumb CCS je bil med vožnjo nenamerno pritisnjen. Kosilnica je v načinu tempomata</li> </ul>	<ul style="list-style-type: none"> <li>▪ Preverite, ali je ikona CCS osvetljena na LCD zaslonu, in po potrebi zaprite CCS. Glejte poglavje "<b>UPORABA TEMPOMATA (CCS)</b>".</li> </ul>
Funkcije CCS ni mogoče aktivirati ali izklopiti.	<ul style="list-style-type: none"> <li>▪ Gumb CCS ni pravilno pritisnjen.</li> </ul>	<ul style="list-style-type: none"> <li>▪ Pritisnite gumb CCS, dokler ikona CCS ne zasveti na LCD-zaslonu ali izgine z LCD-zaslona.</li> </ul>
Kosilnica ne vozi vzvratno, ko kljuko pokrova/prikllop za prikolico potegnete proti operaterju.	<ul style="list-style-type: none"> <li>▪ Indikator stanja kosilnice ne sveti zeleno in kosilnica ni pripravljena za vožnjo.</li> </ul>	<ul style="list-style-type: none"> <li>▪ Sledite poglavju »ZAGON KOSILNICE«, da indikator statusa kosilnice sveti zeleno, in kosilnica je pripravljena za vožnjo.</li> </ul>
	<ul style="list-style-type: none"> <li>▪ Kljuko pokrova/prikllopa za prikolico ne vlečete pravilno proti operaterju.</li> </ul>	<ul style="list-style-type: none"> <li>▪ Potegnite kljuko pokrova/pokrov za prikolico ali oba dela hkrati proti operaterju, dokler ne zaslišite zvoka "klik".</li> </ul>
	<ul style="list-style-type: none"> <li>▪ Kljuko pokrova/prikllopa za prikolico ne vlečete pravilno proti operaterju.</li> </ul>	<ul style="list-style-type: none"> <li>▪ Za vzvratno vožnjo mora biti vsaj kljuka pokrova ali vsaj prikllop za prikolico potegnen proti upravljavcu.</li> </ul>
	<ul style="list-style-type: none"> <li>▪ Kljuka pokrova/prikllop za prikolico je zlomljen.</li> </ul>	<ul style="list-style-type: none"> <li>▪ Za popravilo se obrnite na strokovno usposobljenega serviserja.</li> </ul>

SL



## SKLIC STANJA KOSILNICE IN KODA NAPAKE

Zaslon LCD	Opis	Koda napake na zaslonu LCD	Indikator stanja kosilnice	Pozivnik	Vzrok	Rešitev
	Na zaslonu LCD se prikaže ikona LED-luči.	N/V	NE SVETI	Ne	Žarometi, stranske luči in zadnje luči se vklopijo prek stikala za LED-luči.	To je običajno delovanje. Nobeno dejanje ni potrebno.
	Na LCD zaslonu se prikaže ikona USB.	N/V	NE SVETI	Ne	Ikona USB sveti, da lahko naprava USB deluje, potem ko je bila kosilnica pravilno zagnana.	To je običajno delovanje. Nobeno dejanje ni potrebno.
	Na zaslonu LCD se prikaže ikona merilnika stanja goriva.	N/V	NE SVETI	Ne	Označuje povprečno zmogljivost polnjenja vstavljenih akumulatorjev.	To je običajno delovanje. Nobeno dejanje ni potrebno.
	Na LCD zaslonu se prikaže ikona števca ur.	N/V	NE SVETI	Ne	Prikazuje skupni čas vožnje kosilnice v urah in ga ni mogoče ponastaviti.	To je običajno delovanje. Nobeno dejanje ni potrebno.
	V razponu ECO se prikaže ikona indikatorja obremenitve.	N/V	NE SVETI	Ne	Označuje trenutno obremenitev kosilnice.	To je običajno delovanje. Nobeno dejanje ni potrebno.
	Na LCD-zaslonu se prikaže ikona za vzvratno smer.	N/V	NE SVETI	Ne	Označuje, da se kosilnica vozi vzvratno.	To je običajno delovanje. Nobeno dejanje ni potrebno.
	Ikona varnostnega ključa utripa.	N/V	NE SVETI	Ne	Varnostni ključ ni vstavljen.	Vstavite varnostno tipko, nato pritisnite in pridržite gumb START/STOP, da vklopite kosilnico.
					Sklop škatle nadzorne plošče ključa je pokvarjen.	Popravila naj izvede kvalificiran serviser.

**SL**

Zaslon LCD	Opis	Koda napake na zaslonu LCD	Indikator stanja kosilnice	Pozivnik	Vzrok	Rešitev
	Ikona določenega predela za akumulatorje utripa.	N/V	NE SVETI	Ne	Določen akumulator je med praznjenjem prenapet.	Nobeno dejanje ni potrebno. Kosilnica bo še naprej delovala, če bo zmogljivost kombiniranega akumulatorja brez akumulatorja s presežnim tokom v skladu z zahtevo. Ko se prenapetosten akumulator povrne v normalno stanje, se bo takoj vključil v napajanje kosilnice in ikona bo izginila.
	Ikona za predel praznega akumulatorja utripa.	N/V	NE SVETI	Ne	Zmogljivost akumulatorja ni zadostna, da bi lahko z njo kosili.	Za zagon te kosilnice uporabite zadostno število baterij EGO v skladu z navodili v poglavju » <b>PRIKLJUČITEV/ ODSTRANJEVANJE BATERIJSKEGA SKLOPA</b> « v tem priročniku.
	Indikator preobremenitve utripa.	N/V	Utripa rdeče	En pisk	Motor rezila je preobremenjen.	Dvignite višino košnje ali upočasnite vožnjo, da zmanjšate obremenitev kosilnice.
					Stranski deflektor za izmet je zamašen s travo in ostanki.	Očistite stranski deflektor za izmet po vsaki uporabi.
					Obstaja interferenca med rezilom in kosilnico.	Obrnite se na servisni center družbe EGO.





**SL**

Zaslon LCD	Opis	Koda napake na zaslonu LCD	Indikator stanja kosilnice	Pozivnik	Vzrok	Rešitev
	Ikona temperature utripa.	N/V	NE SVETI	En pisk	Kosilnica je pregreta.	Zmanjšajte obremenitev kosilnice, tako da dvignete višino košnje ali upočasnite vrtenje rezil/hitrost. Naredite odmor in počakajte, da se kosilnica ohladi.
					Kosilnica je prehladna.	Ne poskušajte večkrat, saj lahko poškodujete stroj. Kosilnico in akumulatorje vedno shranjujte v toplem prostoru. Ko se kosilnica segreje, jo znova zaženite.
	Ikona temperature in ikona določenega predelka zasedenega akumulatorja utripata hkrati.	N/V	NE SVETI	Ne	Akumulatorski sklop v ustreznem oštevilčenem predelu za akumulatorje je pregret.	1. Kosilnica bo še naprej delovala, če bo zmogljivost kombiniranega akumulatorja brez pregretega akumulatorja v skladu z zahtevo. Ko bo pregret akumulator znova deloval z normalno temperaturo, se bo takoj pridružil napajanju kosilnice.
						2. Če kombinirana zmogljivost akumulatorja ni zadostna, kosilnica ne bo delovala, dokler ne boste v prazne predele za akumulatorje vstavili še več akumulatorskih sklopov.
						3. Zmanjšajte obremenitev kosilnice, tako da dvignete višino košnje ali upočasnite košnjo pri nadaljnjem delu.

Zaslon LCD	Opis	Koda napake na zaslonu LCD	Indikator stanja kosilnice	Pozivnik	Vzrok	Rešitev
	Ikone posameznega zasedenega predela akumulatorja, indikator za nizko napajanje in merilnik goriva utripnejo na zaslonu LCD vsako sekundo hkrati. Prvi merilnik goriva in indikator stanja kosilnice na zaslonu LCD prav tako utripa.	N/V	Utripa rdeče	Piska, dokler ne pritisnete stikala PTO navzdol.	Akumulatorski sklopi niso dovolj napolnjeni in kosilnica je v načinu Limp-Home.	Prenehajte delati in se vrnite v območje za polnjenje akumulatorja. <b>OPOMBA:</b> Ko je kosilnica v načinu Limp-Home, rezila samodejno preklopijo v nizko hitrost vrtenja, medtem ko bo zvočni indikator še naprej utripal. Voznik mora pritisniti stikalo PTO navzdol, da sprostí rezila iz pokrova. Zvočni indikator bo prenehal piskati, ko se rezila ustavijo.
	Ikona vsakega zasedenega predela za akumulatorje in indikator nizke porabe energije utripata vsake pol sekunde, prvi LED merilnik goriva prav tako utripa rdeče vsake pol sekunde.	N/V	Utripa rdeče	Neprekinjeno piska	Akumulatorski sklopi so skoraj prazni.	Kosilnica bo v trenutku prenehala delovati. Voznik mora odpeljati kosilnico v območje za polnjenje akumulatorja, da se napolni.
	Na zaslonu LCD utripa ikona samodejnega parkiranja.	N/V	NE SVETI	Neprekinjeno piska	Kosilnica je parkirana na pobočju in voznik je zapustil kosilnico, ne da bi preklupil stopalko parkirne zavore v položaj za zaviranje.	Zavorno stopalko nastavite v položaj za zaviranje. Ikona samodejnega parkiranja se bo izklopila, zvočni indikator pa bo prenehal piskati.
	Na LCD-prikazovalniku se prikaže ikona zavornega pedala	N/V	NE SVETI	Ne	Stopalka parkirne zavore je nastavljena na položaj za zaviranje.	Pred zagonom kosilnice ga sprostite.

SL

**OPOMBA:** Če se na LCD zaslonu prikaže koda napake, odstranite vse akumulatorske sklope in jih znova vstavite nekaj minut kasneje. Če to ne reši težave, sledite kodi napake za odpravljanje težav, ki se nahaja spodaj.

Zaslon LCD	Opis	Koda napake na zaslonu LCD	Indikator stanja kosilnice	Pozivnik	Vzrok	Rešitev
	Na LCD-prikazovalniku se prikaže ikona senzorja sedeža	N/V	NE SVETI	Ne	Upravljaivec zapusti sedež ali pa je varnostni zaklepni sistem sedeža odklopljen.	Če je ikona vklopljena, ko voznik sedi na sedežu, takoj prenehajte upravljati kosilnico in preverite priključek sedeža. Če ste zagotovili, da je sedež ustrezno priključen, se za popravilo obrnite na kvalificiranega serviserja.
	Ikona stikala PTO utripa.	N/V	NE SVETI	Ne	Delovanje motorja rezila je bilo prekinjeno in stikalo PTO ni nastavljeno na položaj za izklop.	Pred ponovnim zagonom potisnite stikalo PTO navzdol, da izklopite motorje rezil. Za sklice si oglejte razdelek <b>“ODPRAVLJANJE TEŽAV”</b> v tem priročniku.
	Ikona regeneracije energije občasno utripa.	N/V	NE SVETI	Ne	Kinetična energija, ki se ustvari med zaviranjem ali vožnjo po hribu navzdol, se pretvori neposredno v elektriko, ki napolni akumulatorske sklope.	To je običajno delovanje. Nobeno dejanje ni potrebno.
	Ikona CCS utripa	N/V	NE SVETI	Ne	Funkcija CCS (sistem tempomata) je odpovedala.	Funkcije CCS ni bilo mogoče nastaviti, saj kosilnica vozi z zelo nizko hitrostjo ali vzvratno.

SL

Zaslon LCD	Opis	Koda napake na zaslonu LCD	Indikator stanja kosilnice	Pozivnik	Vzrok	Rešitev	
Glejte „Koda napake“	Levi pogonski motor se ne vrti.	Levi pogonski motor, ki se upravlja prek PCBA, ne deluje.	413	NE SVETI	En pisk	Napaka PCBA	Popravila naj izvede kvalificiran serviser.
		Vtikač (trifazni, napajalni kabel), ki povezuje levi pogonski motor z ustreznim PCBA, je razrahljan.	317	NE SVETI	En pisk	Zrahljan priključek	
		Vtikač (šest pinov, signalni kabel), ki povezuje levi pogonski motor z ustreznim PCBA, je razrahljan.	301	NE SVETI	En pisk	Zrahljan priključek	
		Levi pogonski motor ne deluje.	317	NE SVETI	En pisk	Napaka motorja	

SL

Zaslon LCD	Opis	Koda napake na zaslonu LCD	Indikator stanja kosilnice	Pozivnik	Vzrok	Rešitev	
Glejte „Koda napake“	Desni pogonski motor se ne vrti.	Desni pogonski motor, ki se upravlja prek PCBA, ne deluje.	313	NE SVETI	En pisk	Napaka PCBA	Popravila naj izvede kvalificiran serviser.
		Vtikač (trifazni, napajalni kabel), ki povezuje desni pogonski motor z ustreznim PCBA, je razrahljan.	417	NE SVETI	En pisk	Zrahljan priključek	
		Vtikač (šest pinov, signalni kabel), ki povezuje desni pogonski motor z ustreznim PCBA, je razrahljan.	401	NE SVETI	En pisk	Zrahljan priključek	
		Desni pogonski motor ne deluje.	417	NE SVETI	En pisk	Napaka motorja	
Glejte „Koda napake“	Levi motor rezila se ne vrti.	Levi motor rezila, ki se upravlja prek PCBA, ne deluje.	607	N/V	En pisk	Napaka PCBA	Popravila naj izvede kvalificiran serviser.
		Vtikač (trifazni, napajalni kabel), ki povezuje levi motor rezila z ustreznim PCBA, je razrahljan.	509	N/V	En pisk	Zrahljan priključek	Najprej preglejte rezilo. Če je zrahljan, privijte vijak s priporočenim navorom. Sicer naj popravila izvede kvalificiran serviser.
		Levi motor rezila ne deluje.	509	N/V	En pisk	Napaka motorja	

**SL**

Zaslon LCD	Opis		Koda napake na zaslonu LCD	Indikator stanja kosilnice	Pozivnik	Vzrok	Rešitev
Glejte „Koda napake“	Desni motor rezila se ne vrti.	Desni motor rezila, ki se upravlja prek PCBA, ne deluje.	507	N/V	En pisk	Napaka PCBA	Popravila naj izvede kvalificiran serviser.
		Vtikač (trifazni, napajalni kabel), ki povezuje desni motor rezila z ustreznim PCBA, je razrahljan.	609	N/V	En pisk	Zrahljan priključek	Najprej preglejte rezilo. Če je zrahljan, privijte vijak s priporočenim navorom. Sicer naj popravila izvede kvalificiran serviser.
		Desni motor rezila ne deluje.	609	N/V	En pisk	Napaka motorja	
Glejte „Koda napake“	Pedal za plin ne deluje		311/ 411 307/ 407	NE SVETI	En pisk	Napaka PCBA Zrahljan priključek	Popravila naj izvede kvalificiran serviser.
Glejte „Koda napake“	Volan ne deluje		312/ 412	NE SVETI	En pisk	Napaka PCBA Zrahljan priključek	Popravila naj izvede kvalificiran serviser.
Glejte „Koda napake“	Parkirna zavora na deluje. Kosilnice ni mogoče voziti.	PCBA parkirne zavore, ki je v sklopu sprednjega ogrodja, je poškodovano.	309/ 409	NE SVETI	En pisk	Napaka PCBA	Popravila naj izvede kvalificiran serviser.
		Stikalo parkirne zavore in/ali žica sta poškodovana.	801	NE SVETI	En pisk	Napaka kabla/stikala	

**SL**



Zaslon LCD	Opis	Koda napake na zaslonu LCD	Indikator stanja kosilnice	Pozivnik	Vzrok	Rešitev
NE SVETI	Napaka polnilne odprtine	N/V	Sveti rdeče	N/V	Polnilna vrata imajo odprt tokokrog.	Popravila naj izvede kvalificiran serviser.
		N/V	Sveti rdeče	N/V	Ni napajanja.	Preverite, ali je napajanje na stenski vtičnici med 220 V in 240 V oziroma, ali je vtičnica v ustreznem stanju.
		N/V	Sveti rdeče	N/V	Varovalka je pregorela.	Popravila naj izvede kvalificiran serviser.
Glejte „Koda napake“	Napaka na polnilnih vratih	204	N/V	En pisk	Polnilna vrata imajo odprt tokokrog.	Popravila naj izvede kvalificiran serviser.
Glejte „Koda napake“	Akumulatorski sklop ne deluje.	217	N/V	En pisk	Vir napajanja iz akumulatorskega sklopa je prekinjen. LED-žarometi in USB ne bodo delovali.	Popravila naj izvede kvalificiran serviser.
		310/ 410	NE SVETI	En pisk	Povezava med kablji tipa C akumulatorskega sklopa in drugimi kablji tipa C kosilnice ne deluje.	
		201/ 202/ 203	NE SVETI	En pisk	BMS akumulatorskega sklopa je okvarjen.	
Glejte „Koda napake“	Napaka stikala za zagon/zaustavitev	314/ 414	NE SVETI	En pisk	Napaka stikala PCBA ali slaba kabelska povezava stikala za zagon/zaustavitev.	Popravila naj izvede kvalificiran serviser.

Zaslon LCD	Opis	Koda napake na zaslonu LCD	Indikator stanja kosilnice	Pozivnik	Vzrok	Rešitev
Glejte „Koda napake“	Napaka zaslona LCD	315/ 415	NE SVETI	En pisk	Sklop LCD je poškodovan ali pa ima sklop zaslona LCD slabo kabelsko povezavo.	Popravila naj izvede kvalificiran serviser.

## GARANCIJA

### GARANCIJSKA POLITIKA DRUŽBE EGO

Za popolne pogoje garancijske politike družbe EGO obiščite spletno mesto [egopowerplus.com](http://egopowerplus.com).

## PERSKAITYKITE VISAS INSTRUKCIJAS!



SKAITYTI NAUDOJIMO INSTRUKCIJĄ

## SAUGOS SIMBOLIAI

Saugos simbolių paskirtis – atkreipti dėmesį į galimus pavojus. Gerai susipažinkite su saugos simboliais bei jų paaiškinimais ir juos įsidėmėkite. Simbolių įspėjimai patys savaime negali apsaugoti nuo pavojų. Jais žymimi nurodymai ir įspėjimai neatstoja tinkamų nelaimingų atsitikimų prevencijos priemonių.

**⚠ ĮSPĖJIMAS:** Prieš pradėdami naudoti šį įrenginį, perskaitykite visus šioje naudojimo instrukcijoje pateiktus saugos nurodymus, taip pat susipažinkite su visais saugos įspėjimaisiais simboliais, tokiais kaip „PAVOJUS“, „ĮSPĖJIMAS“ ir „DĖMESIO“, ir įsitikinkite, ar juos supratote. Nesilaikant visų toliau išdėstytų nurodymų galima patirti elektros smūgį, sukelti gaisrą ir (ar) sunkiai susižaloti.

## SIMBOLIŲ REIKŠMĖ

Šiame puslapyje pavaizduoti ir aprašyti saugos simboliai, kurie gali būti nurodyti ant šio gaminio. Prieš bandydami surinkti ir naudoti įrenginį, perskaitykite visus ant jo pateiktus nurodymus, įsitikinkite, ar juos supratote, ir jais vadovaukitės.

## SAUGOS SIMBOLIAI

	Įspėjimas dėl saugos		Perskaityti ir suprasti naudojimo instrukciją
	Užsidėti apsauginius akinius		Prižiūrėti apsauginius įtaisus
	PAVOJUS – stataus šlaito pavojus		PAVOJUS – neleisti pašalinių asmenų prie peilių
	Niekada nevežti vaikų		Žiūrėti atgal važiuojant atbuline eiga
	ĮSPĖJIMAS - nenaudoti šio įrenginio statesniuose nei 12° šlaituose		PAVOJUS – išsviestos šiukšlės
	ĮSPĖJIMAS – NEKIŠTI RANKŲ IR KOJŲ		Garantuojamas garso galios lygis. Pagal Europos Bendrijos direktyvą.

LT



Nelipti



Netinkamus naudoti elektrinius įrankius draudžiama išmesti kartu su buitineis atliekomis. Pristatyti įgaliojamam perdirbėjui.



Šis gaminys atitinka jam taikomas EB direktyvas



DĖMESIO – į dėmiais nežiūrėkite į šviečiantį žibintą.



Nuolatinė srovė



Šis gaminys atitinka taikomas JK direktyvas.

kPa

Kilopaskaliai

RPM

Sūkių per minutę

V

Voltai

m

Metrai

in

Coliai

cm

Centimetrai

Nm

Niutonmetrai

mm

Milimetrai

°C

Celsijaus laipsniai

kg

Kilogramai

km/h

Kilometrai per valandą

IPX4

Apsaugos klasė

## SAUGOS SIMBOLIAI



Į šią informaciją reikia atkreipti dėmesį



Nurodytas veiksmas sustabdo

## TECHNINIAI DUOMENYS

LT

Įtampa	56 V
Pjovimo platformos dydis	107 cm
Ratų dydis	Priekis 279,4 x 101,6 – 127 mm
	Galas 457,2 x 241,3 – 203,2 mm
Slėgis šaltose padangose	Priekis 222,1 kPa
	Galas 110,3 kPa
Posūkio spindulys	0
Peilių sukimosi greitis (sūk./min.)	2400; 2600; 2800; 3000

Didžiausias važiavimo greitis	Į priekį	4,8 km/val.; 8,1 km/val.; 9,7 km/val.; 11,3 km/val. (12,8 km/val. važiavimo režimu)
	Atgal	iki 5,6 km/val.
Vyksta įkrovimas	Įkroviklis (pasirinktis)	CHV1600E
	Adapteris (pasirinktis)	ACA1000
	Įkrovimo temperatūra	5 – 40°C
Pjovimo aukščio reguliavimas (10 padėčių)		25 – 100 mm
Darbinė temperatūra		0 – 40°C

Laikymo temperatūra	-20–70°C	
Svoris (be sudėtinės baterijos)	196 kg	
Išmatuotas garso galios lygis $L_{WA}$	96,44 dB(A) K=0,68 dB(A)	
Garso slėgio lygis ties naudotojo ausimi $L_{PA}$	84,3 dB(A) K=3,0 dB(A)	
Garantuojamas garso galios lygis $L_{WA}$ (išmatuotas pagal 2000/14/EB)	100 dB(A)	
Vibracija $a_h$	Ranka	1,221 m/s <sup>2</sup> K=1,5 m/s <sup>2</sup>
	Kūnas	0,568 m/s <sup>2</sup> K=1,5 m/s <sup>2</sup>

- Nurodyta bendroji vibracijos vertė išmatuota taikant standartinį bandymo metodą, todėl pagal ją galima palyginti skirtingus įrankius.
- Nurodytą bendrąją vibracijos vertę taip pat galima naudoti pirminiam poveikio vertinimui.

**PASTABA:** Naudojant įrankį realiomis sąlygomis, skleidžiamos vibracijos stiprumo vertė gali skirtis nuo nurodytos. Kad apsisaugotų dirbdamas realiomis sąlygomis, naudotojas turi mūvėti pirštines ir naudoti klausos apsaugos priemones.

## REKOMENDUOJAMI PRIEDAI

**▲ ĮSPĖJIMAS:** Naudokite tik toliau išvardintas identiškas atsargines dalis. Naudojant dalis, kurios neatitinka originalios įrangos specifikacijų, traktoriukas gali netinkamai veikti ir kelti pavojų.

DALIES PAVADINIMAS	MODELIO NUMERIS
Standartinis peilis	AB4200
Aukštai pakeliamas peilis	AB4201
Mulčiavimo įdėklas	AMP4200

Žolės rinktuvo komplektas	ABK4200-A
Galinis buferis	AMB1000
Krovinių dėžė	AMG1000
Tentas	AMS1000

## APRAŠYMAS

### TRAKTORIUKO DALYS (A1 pav.)

1. Sėdynė
2. Įkrovimo jungtis
3. Maitinimo blokas
4. LED galinis žibintas
5. Dėtuvė
6. LED šoninis žibintas
7. Galinis ratas (varantysis ratas)
8. Plovimo jungtis
9. Pjovimo platforma
10. Pjovimo platformos apsauga
11. Apsaugos nuo skutimo ratukas
12. Priekinis ratas
13. Stovėjimo stabdžio pedalas
14. Dienos žibintai
15. LED priekiniai žibintai
16. Akceleratoriaus pedalas
17. Atrama kojoms
18. Šoninis išmetimo kanalas
19. Pjovimo platformos aukščio reguliavimo svirtis
20. Sėdynės pakabos reguliavimo rankenėlė
21. Vairas
22. Dešinės pusės dėžė
23. Sėdynės padėties reguliavimo svirtis
24. PTO jungiklis
25. Paleidimo ir sustabdymo mygtukas
26. Saugos raktelis
27. Telefono dėtuvė
28. Puodelių laikikliai

LT

29. Kairioji mentė
30. Traktoriuko būsenos indikatorius
31. LCD ekranas
32. Dešinioji mentė
33. Peilių sukimosi greičio reguliavimo mygtukas
34. CCS mygtukas
35. Važiavimo režimo mygtukas
36. LED žibintų jungiklis
37. Važiavimo greičio reguliavimo mygtukas
38. Maitinimo bloko dangčio atkabinimo mygtukas
39. Maitinimo bloko dangtis
40. Maitinimo blokas su šešiais baterijų skyriais
41. Baterijos atjungimo mygtukas
42. Vilkimo jungtis
43. Padargų tvirtinimo dangtelis
44. USB lizdas

### LCD EKRANO DALYS (A2 pav.)

Daugiau informacijos apie piktogramas ir indikatorius LCD ekrane rasite skyriuje „**GEDIMŲ KODAI IR TRAKTORIUKO BŪSENOS INDIKATORIUS**“.

1. Atbulinės eigos piktograma
2. CCS piktograma
3. Saugos raktelio piktograma
4. LED žibintų piktograma
5. Automatinio statymo piktograma
6. USB piktograma
7. Peilių sukimosi greičio indikatorius
8. Apsauginio įtaiso būsenos indikatorius
9. Valandų skaitiklis
10. Tuščio baterijos skyriaus piktograma
11. Temperatūros piktograma
12. Užimto baterijos skyriaus piktograma
13. Važiavimo režimas
14. Gedimo kodo indikatorius
15. Perkrovos indikatorius
16. Mažos galios indikatorius

17. Įkrovos indikatorius
18. Apkrovos indikatorius
19. Važiavimo greičio indikatorius

## IŠPAKAVIMAS

**PASTABA:** Neišmeskite pakuotės medžiagų, kol atidžiai nepatikrinote ir neišbandėte gaminio. Jeigu kokių nors dalių iš pakuotės turinio sąrašo trūksta, nedelsdami kreipkitės į EGO klientų aptarnavimo centrą.

**PASTABA:** Išskyrus toliau pakuotės turinio sąrašė išvardintus įrankius, jokių kitokių instrukcijose minimų įrankių nėra, nes jie tik rekomenduojami.

**PASTABA:** Nenuimkite po vairo ratu esančios putplasčio kaladėlės, kol vairas tinkamai nepritvirtintas. Dėl vibracijos judėjimo metu vairą galite sugadinti.

### PAKUOTĖS TURINIO SĄRAŠAS (B PAV.)

B-1	Nulinio posūkio spindulio traktoriukas	B-2	Sėdynė
B-3	Mulčiavimo įdėklas	B-4	Varžtai su lizdais galvutėse (2 atsarginiai)
B-5	Šešiakampis raktas	B-6	Lizdinis veržliaraktis
B-7	Veržliaraktis atviru galu	B-8	Saugos rakteliai
B-9	Plovimo jungties greitojo sujungimo mova	B-10	Operatoriaus vadovai

## SURINKIMAS

### SĖDYNĖS TVIRTINIMAS (C1–C4 pav.)

**⚠ ĮSPĖJIMAS:** Draudžiama atjungti ar apeiti apsauginę blokavimo sistemą. Priešingu atveju traktoriukas gali veikti nenuspėjamai ir galite susižaloti.

**PASTABA:** Dėl jūsų saugumo įrengtas apsauginis sėdynės jungiklis važiavimo metu gali suveikti ir traktoriukas sustos. Tokiu atveju daugiau informacijos prašome ieškoti skyriuje „**TRIKČIŲ ŠALINIMAS**“.

C1-1	Lizdas	C1-2	Kištukas
C1-3	Kabelis	C2-1	Sėdynės atrama
C2-2	Pakabos pagrindas	C2-3	Šešiakampis raktas
C2-4	Varžtai su lizdais galvutėse	C2-5	Sėdynės padėties reguliavimo svirtis
C3-1	Plieniniai bėgeliai	C3-2	Šešiakampis raktas
C3-3	Varžtai su lizdais galvutėse	C4-1	Kabliukas

### VAIRO TVIRTINIMAS (C5–C6 pav.)

C5-1	Fiksavimo varžtas	C5-2	Strypas
C6-1	Vietos nustatymo kaladėlė	C6-2	Anga
C6-3	Vairo apsauga		

### MULČIAVIMO ĮDĖKLO TVIRTINIMAS (C7 pav.)

C7-1	Šoninis išmetimo kanalas	C7-2	Mulčiavimo įdėklas
C7-3	Nuimama spyruoklė		

## REGULIAVIMAS

### PRIEŠ REGULIAVIMĄ (D1 pav.)

### PJOVIMO PLATFORMOS AUKŠČIO REGULIAVIMAS (D2 pav.)

### APSAUGOS NUO SKUTIMO RATUKŲ REGULIAVIMAS (D3–D6 pav.)

D3-1	Apsaugos nuo skutimo ratukas	D5-1	Veržlė
D5-2	Varžtas su kampuota galvute	D6-1	Pjovimo platformos aukščio etiketė

### SĖDYNĖS REGULIAVIMAS (D7 pav.)

D7-1	Sėdynės padėties reguliavimo svirtis	D7-2	Sėdynės pakabos reguliavimo rankenėlė
------	--------------------------------------	------	---------------------------------------

### VAIRO REGULIAVIMAS (D8 pav.)

D8-1	Fiksavimo varžtas	D8-2	Strypas
D8-3	Vietos nustatymo kaladėlė	D8-4	Anga

## NAUDOJIMAS

### PRIEŠ NAUDOJIMĄ (E1 pav.)

### STOVĖJIMO STABDŽIO NUSTATYMAS (E2 pav.)

E2-1	Stabdžio atjungimo padėtis	E2-2	Stabdymo padėtis
------	----------------------------	------	------------------

**PASTABA:** Niekada nespauskite stovėjimo stabdžio pedalo greičiui sumažinti. Ne iki galo (ne į stovėjimo padėtį) nuspaudus stovėjimo stabdžio pedalą, traktoriukas nustos judėti ant lygaus paviršiaus, tačiau taip stabdomas ant šlaito jis gali nuslysti žemyn.

### SUDĖTINĖS BATERIJOS ĮSTATYMAS IR ATJUNGIMAS (E3–E6 pav.)

Šiam traktoriukui paleisti reikia 15 Ah (2 X BA4200T / BA4200T) arba didesnės bendros talpos EGO baterijų. Kad traktoriukas geriau veiktų, rekomenduojame naudoti ne mažesnės kaip 30 Ah talpos EGO baterijų komplektą.

E3-1	Dangčio atkabinimo mygtukas	E5-1	Baterijos atjungimo mygtukas
------	-----------------------------	------	------------------------------

### TRAKTORIUKO ĮKROVIMAS

Naudokite tik rekomenduojamas sudėtines baterijas ir įkroviklius.

- Sudėtinę bateriją (-as) įkraukite atskirai (E7 pav.)

**PASTABA:** Išsamios instrukcijos pateikiamos atitinkamuose sudėtinės baterijos ir įkroviklio vadovuose.

- Sudėtinės baterijos (-ų) įkrovimas per įkrovimo jungtį (E8–E10 pav.)



E10-1	Apsaugos nuo dulkių dangtelis	E10-2	Įkrovimo jungtis
-------	-------------------------------	-------	------------------

## APSAUGINĖS BLOKAVIMO SISTEMOS IŠBANDYMAS

- Pjovimo platformos peilių sistemos išbandymas (E11–E12 pav.)
- Vairavimo sistemos išbandymas (E13–E14 pav.)

Jeigu vairuotojui pakilus nuo sėdynės pjovimo platformos peilių ir (ar) vairavimo sistemos neišsijungia, ir jei negalima nustatyti priežasties (patikrinus kištuko ir lizdo jungties patikimumą), nedelsdami kreipkitės į savo EGO klientų aptarnavimo centrą.

## KONTROLINIS SĄRAŠAS PRIEŠ NAUDOJIMĄ

- Darbo zonoje neturi būti vaikų, pašalinių asmenų ir naminių gyvūnų.
- Išvalykite darbo zoną nuo šiukšlių, kurias gali išsviesti traktoriuko peiliai.
- Nuvalykite nuo traktoriuko šiukšles.
- Patikrinkite, ar nėra atsilaisvinusių tvirtinimo detalių.
- Patikrinkite, ar visos apsaugos yra savo vietose ir tinkamai veikia.
- Apžiūrėkite padangas, ar jose netrūksta oro.
- Patikrinkite stabdžio veikimą.
- Nustatykite pjovimo platformos aukštį į pageidaujamą padėtį, kuri geriausiai tinka pjaunamai vejai, ir atitinkamai sureguliuokite apsaugos nuo skutimo ratukus.
- Susireguliuokite sėdynės padėtį ir patikrinkite, ar galima pasiekti abu pedalus.
- Jei reikia, nustatykite vairą į norimą padėtį.
- Patikrinkite baterijos įkrovos lygį.
- Patikrinkite apsauginę blokavimo sistemą.

## TRAKTORIUKO PALEIDIMAS (E15–E16 pav.)

**⚠ ĮSPĖJIMAS:** Venkite staigių pajudėjimų iš vietos, stabdymų, posūkių ir didelio greičio, ypač mokydami valdyti traktoriuką pirmąjį kartą. Traktoriukas gali greitai sukintis aplink, ir tuomet galite jo nesuvaldyti ir sunkiai susižaloti ar sugadinti turtą.

**⚠ ĮSPĖJIMAS:** Prieš paleisdami veją, patikrinkite ir įsitikinkite, kad peiliai yra atjungti 5 sek., kai paspaudžiate darbo veleno jungiklį žemyn. Jeigu peiliai nesustoja, nedelsdami kreipkitės į savo EGO klientų aptarnavimo centrą.

**PASTABA:** Rinkitės mažiausią važiavimo greitį (žr. E17 ir E18 pav.) ir STANDARD važiavimo režimą, kol išmoksite traktoriuką valdyti visose situacijose.

Paleidžiant traktoriuką iš naujo, jis naudoja ankstesnio važiavimo režimo, važiavimo greičio ir vairo kalibravimo nuostatas.

## VAŽIAVIMO REŽIMO PASIRINKIMAS (E17 pav.)

- **CONTROL:** Lėtesnis greitėjimas, mažiau jautrus valdymas ir nedidelis sukimosi greitis, kad nepatyrę vairuotojai nesugadintų vejos.
- **STANDARD:** Puikiai tinka naudoti kasdien.
- **SPORT:** Staigesnis greitėjimas, tikslus valdymas ir staigus sukimasis, siekiant maksimaliai padidinti pjovimo efektyvumą – skirtas vejos pjovimo entuziastams.

**PASTABA:** Važiavimo režimo negalima keisti važiavimo metu. Ši funkcija veikia tik sustabdžius traktoriuką.

## Važiavimo greičio reguliavimas (E18 pav.)

**PASTABA:** Kai įjungtas „TURBO“ režimas, paspaudus „–“ važiavimo greitis grįžta į prieš tai buvusį režimą.

## Peilių sukimosi greičio reguliavimas (E19 pav.)

### LED žibintai

- Priekiniai, šoniniai ir galiniai žibintai valdomi LED žibintų jungikliu.
- Dienos žibintai važiavimo metu visada šviečia.
- Važiuojant atbuline eiga: jei galiniai žibintai išjungti, jie mirksi įspėdami šalia esančius asmenis; jei galiniai žibintai įjungti, jie ir toliau dega.
- Visi žibintai automatiškai išsijungs, kai po tam tikro laiko automatiškai išsijungs nedirbantis traktoriukas.

### USB lizdas

**PASTABA:** USB lizdas tiekia 5 V / 1,5 A nuolatinės srovės įkrovimo įtampą tik tuomet, kai traktoriukas paleistas.

## TRAKTORIUKO SUSTABDYMAS (E20 pav.)

**PASTABA:** Jei traktoriukas stovi ilgiau nei 60 minučių, jis automatiškai išsijungia.



### Avarinis grįžimo režimas

Kai baterijos įkrova sumažėja iki minimumo, traktoriukas persijungia į avarinį grįžimo režimą, kad išsaugotų pakankamai energijos grįžimui į įkrovimo vietą.

- Peilių sukimosi greitis sumažėja, todėl jie gali nupjauti tik labai nedaug žolės. Įvažiavus į aukštą ir tankią žolę, peiliai nustoja suktis. Su pertrūkiiais skamba (pypsi) garsinis signalas.
- Kas sekundę mirksi raudonas traktoriuko būsenos indikatorius, taip pat mirksi mažos galios indikatorius bei baterijos segmentai įkrovos indikatoriuje.

Vairuotojas privalo:

- Nuspausti žemyn PTO jungiklį ir taip atjungti peilių variklius. Peiliams sustojus nustoja skambėti garsinis signalas.
- Nutraukti darbą ir kuo skubiau grįžti į įkrovimo vietą. Šiuo atveju traktoriukas dar gali nuvažiuoti iki 1000 m.

Kai baterija beveik išsikrauna, baterijos segmentų piktogramos ir mažos galios indikatorius pradeda mirksėti kas pusę sekundės. Traktoriukas iš karto sustoja.

Vairuotojas turi jį nugabenti į baterijos įkrovimo vietą.

**PASTABA:** Jei traktoriuką reikia stumti, atjunkite nuo jo baterijas ir atleiskite iš stabdymo padėties stovėjimo stabdžio pedalą.

### VAŽIAVIMAS TRAKTORIUKU (E21 pav.)

**⚠ PAVOJUS:** Nepriartėkite arčiau kaip per du pjovimo plotius prie griovių, šlaitų ar vandens. Netgi nuspaudus stabdžio pedalą ir sustabdžius traktoriuką, priekiniai jo ratai gali dar suktis, ir tuomet jis gali nuvirsti nuo šlaito ar įvažiuoti į vandenį, o vairuotojas gali sunkiai ar net mirtinai susižaloti.

**⚠ ĮSPĖJIMAS:** Pasižiūrėkite atgal prieš pradėdami judėti traktoriuku atbuline eiga. NEPJAUKITE vejos judėdami atbuline eiga, nebent tai absoliučiai būtina. Visada pasižiūrėkite žemyn ir atgal prieš pradėdami judėti traktoriuku atbuline eiga ir judėjimo metu, kad neužkliudytumėte pjovimo zonoje atsidūrusių vaikų, pašalinių asmenų ar naminių gyvūnų. Atminkite, kad net akimirksniui atitraukę dėmesį galite sunkiai ar net mirtinai susižaloti ar sužaloti kitus.

**⚠ ĮSPĖJIMAS:** Nevažinėkite šiuo traktoriuku bendrojo naudojimo keliais.

**⚠ ĮSPĖJIMAS:** Jei pjovimo platforma užsikemša ar atsitrenkiate į kokią nors kliūtį, išjunkite variklius ir ištraukite baterijas. Išvalykite žolės nuopjovas, lapus, purvą ir kitas prikibusias šiukšles; traktoriuką atidžiai patikrinkite, ar nesugadintas, ir pašalinkite visus gedimus prieš vėl jį paleisdami.

### GREIČIO PALAIKYMOSI SISTEMOS (CCS) NAUDOJIMAS

#### CCS įjungimas važiavimo metu (E22 pav.)

**PASTABA:** Naudojant greičio palaikymo sistemą, LCD ekrane rodomas važiavimo greitis gali netiksliai atspindėti realų traktoriuko važiavimo greitį. Paspauskite vieną iš greičio reguliavimo mygtukų („←“ arba „→“), kad „atnaujintumėte“, ir LCD ekrane sureguliuotumėte važiavimo greitį.

**Norėdami išjungti CCS ir sustabdyti traktoriuką,** galite pasirinkti vieną iš keturių būdų:

- Šiek tiek spustelėkite akceleratoriaus pedalą ir atleiskite.
- Patraukite kairiąją ar dešiniąją mentelę (-es) link savęs ir atleiskite.
- Nuspauskite stovėjimo stabdžio pedalą.
- Paspauskite CCS mygtuką.

**PASTABA:** Iki galo nuspauskite akceleratoriaus pedalą, kad pasiektumėte nustatytą CCS važiavimo greitį, ir spauskite toliau. CCS funkcija išsijungs, o traktoriukas toliau važiuos esamu greičiu.

## TECHNINĖ PRIEŽIŪRA

**⚠ ĮSPĖJIMAS:** Visada užsidėkite apsauginius akinius su šonine apsauga. Nesilaikant šio nurodymo į akis gali pataikyti išsviestos šiukšlės arba galite kitaip sunkiai susižaloti.

**⚠ ĮSPĖJIMAS:** Vykdydami traktoriuko peilių techninės priežiūros darbus, visada apsaugokite rankas, užsimaudami tvirtas pirštines arba apvyniodami peilio ašmenis skudurais ar kitomis medžiagomis. Visada ištraukite saugos raktelį ir išimkite sudėtines baterijas, prieš vykdydami traktoriuko techninės priežiūros darbus arba prieš jį gabendami.

Techninės priežiūros intervalai	Techninės priežiūros procedūros
Kiekvieną kartą prieš naudojimą arba kasdien	<ul style="list-style-type: none"> <li>Patikrinti apsauginę blokavimo sistemą.</li> <li>Apžiūrėti padangas, ar jose netrūksta oro.</li> <li>Patikrinti peilius.</li> <li>Patikrinti visą traktoriuką, ar nėra sugadintų, trūkstančių ar atsipalaidavusių dalių: šoninį išmetimo kanalą, sraigtus, varžtus, veržles ir pan.; visos apsaugos turi būti savo vietose ir tinkamai veikti.</li> <li>Patikrinti akceleratoriaus pedalą, ar jį galima tinkamai nuspausti ir atleisti.</li> <li>Patikrinti vairo amortizatorių. Vairas turi suktis su tam tikru pasipriešinimu.</li> </ul>
Kiekvieną kartą po naudojimo	<ul style="list-style-type: none"> <li>Nuvalyti traktoriuko pjovimo platformą.</li> </ul>
Kas 25 valandas	<ul style="list-style-type: none"> <li>Patikrinti oro slėgį padangose.</li> </ul>
Kas 100 valandų	<ul style="list-style-type: none"> <li>Patikrinti galinius ratus, ar visos ratų veržlės priveržtos rekomenduojama priveržimo jėga.</li> </ul>
Kas 200 valandų	<ul style="list-style-type: none"> <li>Patikrinti priekinius ratus, ar laisvai sukasi.</li> </ul>
Prieš pastatymą į laikymo vietą	<ul style="list-style-type: none"> <li>Išimti iš traktoriuko sudėtinę bateriją.</li> <li>Išimti iš traktoriuko apsauginį raktelį.</li> <li>Atlikti visas pirmiau išvardytas techninės priežiūros procedūras ir traktoriuką kruopščiai išvalyti.</li> <li>Patikrinti visą traktoriuką, ar nėra sugadintų, trūkstančių ar atsipalaidavusių dalių ir prieš pastatant į laikymo vietą pakeisti arba priveržti atitinkamas dalis.</li> </ul>

Kartą į metus	<ul style="list-style-type: none"> <li>Patikrinti stovėjimo stabdžio pedalą. Išimti iš traktoriuko baterijas ir nustatyti pedalą į stabdymo padėtį. Pastumti rankomis traktoriuką į priekį ir patikrinti, ar galima jį pajudinti iš vietos. Jeigu jis juda, kreipkitės į kvalifikuotą techninės priežiūros specialistą, kad sutvarkytų gedimą.</li> </ul>
---------------	---

## BENDROJI PRIEŽIŪRA

### Traktoriuko kėbulo valymas (F1–F2 pav.)

### Plovimo jungties naudojimas traktoriuko platformai valyti (F3–F4 pav.)

F2-1	Plovimo jungtis	F2-2	Plovimo jungties greitojo sujungimo mova
F2-3	Sodo žarna		

**PASTABA:** Baigę valyti, visiškai išjunkite traktoriuką, o po to nuimkite sodo žarną ir greitojo sujungimo movą.

## TRAKTORIUKO PJOVIMO PLATFORMOS IR PEILIŲ PRIEŽIŪRA

### PARUOŠIMAS (G1 pav.)

### Pjovimo platformos nuėmimas (G2–G3 pav.)

G2-1	Variklio kabelis	G2-2	Pakabos traukė
G2-3	Vielokaištis		

**PASTABA:** Nuimdami pjovimo platformą, atjunkite visus variklio kabelius ir vielokaiščius.

### Peilių keitimas (G4–G6 pav.)

G4-1	Stabilizatorius	G5-1	Varžtas
G5-2	Poveržlė	G5-3	Peilis
G5-4	Jungė	G5-5	Variklio velenas

### Pjovimo platformos išlyginimas horizontaliai

#### a. Kada reikia išlyginti (G7–G9 pav.)

#### b. Prieš išlyginant

- Oro slėgio šaltose padangose tikrinimas (G10 pav.)

- Patikrinkite peilius. Nuimkite ir pakeiskite sudilusius, įtrūkusius ir (ar) sulenktus peilius, jei reikia.
- c. **Paruošimas išlyginimui (G11 pav.)**
- d. **Kaip išlyginti horizontaliai**
  - Reguliavimas pagal šonus (G12 pav.)
  - Reguliavimas pagal priekį ir galą (G13 pav.)

#### Aplinkos apsauga



WEEE (elektrinės ir elektroninės įrangos atliekos). Neišmeskite elektros įrangos, panaudotų baterijų ir įkroviklio kartu su buitinėmis atliekomis! Šias atliekas reikia pristatyti į jų surinkimo vietą ar įgaliotam perdirbėjui. Elektrinius įrankius reikia grąžinti į tokių atliekų perdirbimo įmonę.

### TRAKTORIUKO JUDĖJIMO SISTEMOS KALIBRAVIMAS (H1–H2 pav.)

**PASTABA:** Garsinis signalas suskamba ir pradeda kalibravimo procedūrą, ir ją užbaigus.

**PASTABA:** Vienam iš važiavimo režimų („CONTROL“, „STANDARD“, „SPORT“) atliktas kalibravimas gali netikti kitiems dviems režimams. Jei reikia, vairavimo svirtis kalibruokite atskirai kiekviename režime.

### TRAKTORIUKO GAMYKLINIŲ NUOSTATŲ ATSTATA (Ipav.)

**PASTABA:** Garsinis signalas suskamba ir pradeda atstatos procedūrą, ir ją užbaigus.

**PASTABA:** Sėkmingai užbaigus atstatą, šioms nuostatomis grąžinamos pradinės gamykinės vertės:

- važiavimo režimui;
- važiavimo greičiui;
- vairo kalibravimui.

## LAIKYMAS IR GABENIMAS

### TRAKTORIUKO GABENIMAS (J1–J5 pav.)

**PASTABA:** Traktoriuką tinkamai pritvirtinkite diržais ar trosais, kad jis nejudėtų gabenimo metu.

### SAUGOJIMAS (pav. K1 – K2)

**PASTABA:** Išimkite sudėtines baterijas ir laikykite pagal nurodymus atitinkamose instrukcijose.


Prieš pastatydami traktoriuką į laikymo vietą, nuvalykite jį ir patikrinkite pagal nurodymus skyriuose „TRAKTORIUKO VALYMAS“ ir „REKOMENDUOJAMAS TECHINĖS PRIEŽIŪROS GRAFIKAS (-AI)“

## TRIKČIŲ ŠALINIMAS

PROBLEMA	PRIEŽASTIS	SPRENDIMAS
Nulinio posūkio spindulio traktoriukas nepajuda iš vietos, kai nuspaudžiamas akceleratoriaus pedalas.	<ul style="list-style-type: none"> <li>Bendra prijungtų sudėtinių baterijų talpa Ah neatitinka reikalavimų.</li> </ul>	<ul style="list-style-type: none"> <li>Norėdami paleisti šį traktoriuką, naudokite pakankamą EGO baterijų kiekį pagal instrukcijas, pateiktas šio vadovo skyriuje „<b>SUDĖTINĖS BATERIJOS ĮSTATYMAS IR ATJUNGIMAS</b>“.</li> </ul>
	<ul style="list-style-type: none"> <li>Stovėjimo stabdžio pedalas nustatytas į stabdymo padėtį.</li> </ul>	<ul style="list-style-type: none"> <li>Iki galo nuspauskite stovėjimo stabdžio pedalą, kad atjungtumėte jį iš stabdymo padėties.</li> </ul>
	<ul style="list-style-type: none"> <li>Abi (kairioji ir dešinioji) mentelės nepatrauktos link vairuotojo traktoriuko paleidimo metu, kad būsenos indikatorius užsidegtų žalia spalva.</li> </ul>	<ul style="list-style-type: none"> <li>Vienu metu patraukite ABI kairiąją ir dešiniąją menteles link savęs ir atleiskite. Užsidega žalias traktoriuko būsenos indikatorius, o tai reiškia, kad traktoriukas paruoštas važiuvimui.</li> </ul>
	<ul style="list-style-type: none"> <li>Vairuotojas neatsisėdęs ant sėdynės.</li> </ul>	<ul style="list-style-type: none"> <li>Traktoriuku galima važiuoti tik vairuotojui tinkamai atsisėdus ant sėdynės.</li> </ul>
	<ul style="list-style-type: none"> <li>Netinkamai prijungtas sėdynės jungiklis.</li> </ul>	<ul style="list-style-type: none"> <li>Išimkite bateriją iš traktoriuko ir nuimkite sėdynę atvirkštine tvarka, nei nurodyta šio vadovo skyriuje „<b>SĖDYNĖS TVIRTINIMAS</b>“, kad patikrintumėte kabelio kištuką, ar jis tinkamai prijungtas prie atitinkamo lizdo sėdynės apačioje. Vėl uždėkite sėdynę ir pabandykite dar kartą paleisti traktoriuką pagal nurodymus skyriuje „<b>TRAKTORIUKO PALEIDIMAS</b>“. Jei nepavyksta, dėl remonto kreipkitės į kvalifikuotą techninės priežiūros specialistą.</li> </ul>
	<ul style="list-style-type: none"> <li>Ypač žemoje temperatūroje traktoriukas gali nepajudėti iš vietos dėl įsijungusios apsaugos nuo žemos temperatūros.</li> </ul>	<ul style="list-style-type: none"> <li>Traktoriuką ir baterijas visada laikykite šiltoje aplinkoje. Traktoriukui sušilus vėl bandykite jį paleisti. Nebandykite paleisti išalusio įrenginio, nes galite jį sugadinti.</li> </ul>
	<ul style="list-style-type: none"> <li>Akceleratoriaus pedalui trukdo judėti šiukšlės.</li> </ul>	<ul style="list-style-type: none"> <li>Patikrinkite ir pašalinkite šiukšles.</li> </ul>
	<ul style="list-style-type: none"> <li>Akceleratoriaus pedalo mechaninių arba elektroninių komponentų gedimas.</li> </ul>	<ul style="list-style-type: none"> <li>Dėl remonto kreipkitės į kvalifikuotą techninės priežiūros specialistą.</li> </ul>

LT

PROBLEMA	PRIEŽASTIS	SPRENDIMAS
Nulinio posūkio spindulio traktoriukas nustoja važiuoti.	<ul style="list-style-type: none"> <li>▪ Kairiajai ar dešiniajai mentelei reikia „atstatos“.</li> </ul>	<ul style="list-style-type: none"> <li>▪ Patraukite kairiąją ar dešiniąją mentelę link savęs ir atleiskite. Traktoriukas bus paruoštas važiavimui, kai užsidegs žalias būsenos indikatorius.</li> </ul>
	<ul style="list-style-type: none"> <li>▪ Akceleratoriaus pedalo elektroninių komponentų gedimas.</li> </ul>	<ul style="list-style-type: none"> <li>▪ Dėl remonto kreipkitės į kvalifikuotą techninės priežiūros specialistą.</li> </ul>
	<ul style="list-style-type: none"> <li>▪ Važiuojant nelygia vietove atsijungė sėdynės apsauginė blokavimo sistema.</li> </ul>	<ul style="list-style-type: none"> <li>▪ Išimkite bateriją iš traktoriuko ir nuimkite sėdynę atvirkštine tvarka, nei nurodyta šio vadovo skyriuje „<b>SĖDYNĖS TVIRTINIMAS</b>“, kad patikrintumėte kabelio kištuką, ar jis tinkamai prijungtas prie atitinkamo lizdo sėdynės apačioje. Vėl uždėkite sėdynę ir pabandykite dar kartą paleisti traktoriuką pagal nurodymus skyriuje „<b>TRAKTORIUKO PALEIDIMAS</b>“. Jei nepavyksta, dėl remonto kreipkitės į kvalifikuotą techninės priežiūros specialistą.</li> </ul>
	<ul style="list-style-type: none"> <li>▪ Vairuotojo svoris ant sėdynės pasiskirstęs netolygiai. Kad sėdynės apsauginė blokavimo sistema tinkamai veiktų, ant jos sėdinčio vairuotojo svoris turi būti ne mažesnis kaip 20 kg.</li> </ul>	<ul style="list-style-type: none"> <li>▪ Tinkamai atsisėskite ant sėdynės ir patraukite kairiąją ar dešiniąją arba abi menteles link savęs ir atleiskite – tuomet traktoriukas bus paruoštas važiavimui.</li> <li>▪ Jei reikia, atjunkite ir vėl prijunkite sudėtinę bateriją.</li> </ul>
	<ul style="list-style-type: none"> <li>▪ Nuspaustas stovėjimo stabdžio pedalas, kad sumažėtų važiavimo greitis. Kai stovėjimo stabdžio pedalas nuspaustas pakankamai, tačiau ne į stovėjimo padėtį, traktoriukas sustoja.</li> </ul>	<ul style="list-style-type: none"> <li>▪ Vėl paleiskite traktoriuką pagal nurodymus skyriuje „<b>TRAKTORIUKO PALEIDIMAS</b>“.</li> </ul>
Važiavimo režimo negalima keisti važiavimo metu.	<ul style="list-style-type: none"> <li>▪ Tai nulinio posūkio spindulio traktoriuko saugos funkcija, kad būtų saugu važiuoti.</li> </ul>	<ul style="list-style-type: none"> <li>▪ Ši funkcija veikia tik sustabdžius traktoriuką.</li> </ul>

PROBLEMA	PRIEŽASTIS	SPRENDIMAS
<p>Ijungus PTO jungiklį nulinio posūkio spindulio traktoriuko peiliai nepradeda sukstis.</p>  Mirksi PTO jungiklio piktograma.	<ul style="list-style-type: none"> <li>Bendra prijungtų sudėtinių baterijų talpa Ah neatitinka reikalavimų.</li> </ul>	<ul style="list-style-type: none"> <li>Norėdami paleisti šį traktoriuką, naudokite pakankamą EGO baterijų kiekį pagal instrukcijas, pateiktas šio vadovo skyriuje „<b>SUDĖTINĖS BATERIJOS ĮSTATYMAS IR ATJUNGIMAS</b>“.</li> </ul>
	<ul style="list-style-type: none"> <li>Paskutinį kartą išjungus traktoriuką, PTO jungiklis nebuvo nuspaustas žemyn.</li> </ul>	<ul style="list-style-type: none"> <li>Nuspauskite PTO jungiklį žemyn, o po to aukštyn, kad vėl paleistumėte peilių variklius.</li> </ul>
	<ul style="list-style-type: none"> <li>Peilių paleidimo metu juos veikia per didelė apkrova, todėl įsijungia variklio apsauga.</li> </ul>	<ul style="list-style-type: none"> <li>Pradžioje traktoriuko peilius paleiskite mažesniu greičiu, kol jie įsisuks, ir nedidinkite greičio, jei nereikia.</li> </ul>
	<ul style="list-style-type: none"> <li>Ypač žemoje temperatūroje peilių variklis gali neįsijungti dėl apsaugos nuo žemos temperatūros.</li> </ul>	<ul style="list-style-type: none"> <li>Traktoriuką ir baterijas visada laikykite šiltoje aplinkoje. Traktoriukui sušilus vėl bandykite jį paleisti. Nebandykite paleisti išalusio įrenginio, nes galite jį sugadinti.</li> </ul>
	<ul style="list-style-type: none"> <li>Peilis kliūna už deformuotos pjovimo platformos.</li> </ul>	<ul style="list-style-type: none"> <li>Kreipkitės į EGO klientų aptarnavimo centrą.</li> </ul>
	<ul style="list-style-type: none"> <li>Traktoriukas važiuoja „TRAVEL“ greičiu.</li> </ul>	<ul style="list-style-type: none"> <li>Kai veļapjovė važiuoja „TRAVEL“ greičiu, peilių varikliai automatiškai sustoja.</li> </ul>

PROBLEMA	PRIEŽASTIS	SPRENDIMAS
Pjaunant žolę peiliai sustoja.	<ul style="list-style-type: none"> <li>Per didelė traktoriuko apkrova.</li> </ul>	<ul style="list-style-type: none"> <li>Padidinkite žolės pjovimo aukštį arba sumažinkite važiavimo greitį, kad sumažėtų traktoriuko variklių apkrova.</li> </ul>
	<ul style="list-style-type: none"> <li>Traktoriuko pjovimo platformą užkimšo žolė ir šiukšlės.</li> </ul>	<ul style="list-style-type: none"> <li>Nuvalykite traktoriuko pjovimo platformą ir patikrinkite, ar peilis gali laisvai sukstis.</li> </ul>
	<ul style="list-style-type: none"> <li>Traktoriukas perkaito.</li> </ul>	<ul style="list-style-type: none"> <li>Sumažinkite traktoriuko apkrovą, padidindami pjovimo aukštį arba sumažindami peilių sukimosi ar važiavimo greitį ir leisdami traktoriukui atvėsti.</li> </ul>
	<ul style="list-style-type: none"> <li>Sudėtinė baterija (-os) traktoriuko baterijų skyriuje perkaito, todėl bendra prijungtų baterijų talpa nukrito ir neatitinka reikalavimų.</li> </ul>	<ol style="list-style-type: none"> <li>Traktoriukas gali tęsti darbą, jei bendra įstatytų baterijų talpa Ah, atmetus perkaitusią bateriją, atitinka reikalavimus. Kai perkaitusi baterija atvėsta iki įprastos temperatūros, ji iš karto prisijungia prie traktoriuko galios didinimo.</li> </ol>
		<ol style="list-style-type: none"> <li>Jei bendra prijungtų baterijų talpa Ah neatitinka reikalavimų, traktoriukas nedirbs, kol į tuščias baterijų skyriaus vietas neįstotysite daugiau sudėtinių baterijų.</li> </ol>
		<ol style="list-style-type: none"> <li>Sumažinkite traktoriuko apkrovą padidindami žolės pjovimo aukštį arba sulėtindami pjovimą, o po to vėl atnaujinkite darbą.</li> </ol>
	<ul style="list-style-type: none"> <li>Traktoriukas yra avariniame grįžimo režime.</li> </ul>	<ul style="list-style-type: none"> <li>Kai traktoriukas persijungia į avarinį grįžimo režimą, automatiškai sumažinamas peilių sukimosi greitis. Vairuotojas turi nutraukti darbą ir kuo skubiau grįžti į baterijų įkrovimo vietą.</li> </ul>
	<ul style="list-style-type: none"> <li>Traktoriukas atsitrenkė į kliūtį ir suveikė variklio apsauga.</li> </ul>	<ul style="list-style-type: none"> <li>Nuspauskite PTO jungiklį žemyn, o po to aukštyn, kad vėl paleistumėte peilių variklius.</li> </ul>
<ul style="list-style-type: none"> <li>Traktoriuko greitis nustatytas į „TRAVEL“ režimą.</li> </ul>	<ul style="list-style-type: none"> <li>Kai traktoriukas veikia „TRAVEL“ režime, peilių varikliai automatiškai sustoja.</li> </ul>	
Toliau skamba garsinis signalas.	<ul style="list-style-type: none"> <li>Traktoriukas yra avariniame grįžimo režime, tačiau peiliai neišjungti.</li> </ul>	<ul style="list-style-type: none"> <li>Nuspauskite PTO jungiklį žemyn, kad išjungtumėte peilių variklius. Išjungus peilių variklius, garsinis signalas nustoja skambėti.</li> </ul>
	<ul style="list-style-type: none"> <li>Traktoriukas sustoja šlaite, o vairuotojas pakyla nuo sėdynės, nenuspaudęs stovėjimo stabdžio į stabdymo padėtį.</li> </ul>	<ul style="list-style-type: none"> <li>Prieš išlipdami iš ant šlaito sustojusio traktoriuko, nustatykite stabdžio pedalą į stabdymo padėtį.</li> </ul>



PROBLEMA	PRIEŽASTIS	SPRENDIMAS
Išjungus traktoriuką baterijos įkrovos indikatoriai lieka degti.	<ul style="list-style-type: none"> <li>Kai traktoriukas išjungiamas ant lygaus paviršiaus, o sudėtinė baterija (-os) iš jo neišimama, baterijų indikatoriai, paleidimo ir sustabdymo mygtukas ir CCS mygtukas tam tikrą laiką dar šviečia.</li> </ul>	<ul style="list-style-type: none"> <li>Nieko nereikia daryti. Praėjus šiam laikotarpiui išsijungia traktoriukas, o po to – ir baterijų indikatoriai. Dėl šio laikotarpio trukmės žiūrėkite skyriuje „<b>TRAKTORIUKO SUSTABDYMAS</b>“.</li> </ul>
	<ul style="list-style-type: none"> <li>Kai traktoriukas išjungiamas ant šlaito nenuspaudus stovėjimo stabdžio į stabdymo padėtį, baterijų indikatoriai lieka degti, kol baterija išsikrauna. Tuo metu visą laiką skamba garsinis signalas.</li> </ul>	<ul style="list-style-type: none"> <li>Prieš išlipdami iš ant šlaito sustojusio traktoriuko, nustatykite stabdžio pedalą į stabdymo padėtį.</li> </ul>
Neįsijungia visos LCD ekrano piktogramos.	<ul style="list-style-type: none"> <li>Paleidimo ir sustabdymo mygtukas laikomas nuspaustas pakankamai laiko.</li> </ul>	<ul style="list-style-type: none"> <li>Spustelėjus paleidimo ir sustabdymo mygtuką LCD ekrane atsiranda tik baterijos įkrovos rodmuo.</li> </ul>
		<ul style="list-style-type: none"> <li>LCD ekranas įsijungia, pakankamą laiką palaikius nuspaustą paleidimo ir sustabdymo mygtuką.</li> </ul>
Traktoriukas pjauna nelygiai ir ženkliai skiriasi žolės aukštis priekyje ir gale.	<ul style="list-style-type: none"> <li>Peiliai atšipę.</li> </ul>	<ul style="list-style-type: none"> <li>Peilius pagaląskite arba pakeiskite, kaip nurodyta šioje instrukcijoje.</li> </ul>
	<ul style="list-style-type: none"> <li>Peiliai sulinkę.</li> </ul>	<ul style="list-style-type: none"> <li>Sulenktą peilį pakeiskite vadovaudamiesi skyriuje „<b>PEILIŲ KEITIMAS</b>“ pateiktais nurodymais.</li> </ul>
	<ul style="list-style-type: none"> <li>Pjovimo platforma neišlyginta horizontaliai, todėl peiliai yra skirtingame aukštyje.</li> </ul>	<ul style="list-style-type: none"> <li>Išlyginkite horizontaliai pjovimo platformą vadovaudamiesi skyriuje „<b>PJOVIMO PLATFORMOS IŠLYGINIMAS HORIZONTALIAI</b>“ pateiktais nurodymais.</li> </ul>
Nupjautos žolės aukštis neatitinka nustatyto pjovimo aukščio.	<ul style="list-style-type: none"> <li>Atsisukę pjovimo platformos pakabos traukės veržlės.</li> </ul>	<ul style="list-style-type: none"> <li>Pagal instrukcijas skyriuje „<b>PJOVIMO PLATFORMOS IŠLYGINIMAS HORIZONTALIAI</b>“ sureguliuokite pjovimo platformą pagal priekį ir galą ir tvirtai priveržkite pakabos traukės veržles.</li> </ul>
	<ul style="list-style-type: none"> <li>Pjovimo platforma pažeista arba gerokai sudilusi.</li> </ul>	<ul style="list-style-type: none"> <li>Pagal instrukcijas skyriuje „<b>PJOVIMO PLATFORMOS NUĖMIMAS</b>“ pakeiskite pjovimo platformą.</li> </ul>
Traktoriukas netinkamai mulčiuoja.	<ul style="list-style-type: none"> <li>Nupjauta šlapia žolė prikimba pjovimo platformos apačioje.</li> </ul>	<ul style="list-style-type: none"> <li>Prieš pjaudami veją palaukite, kol žolė išdžius.</li> </ul>
	<ul style="list-style-type: none"> <li>Traktoriukas nustatytas iš karto pjauti per daug žolės.</li> </ul>	<ul style="list-style-type: none"> <li>Pakelkite pjovimo platformą į didesnę aukštį.</li> </ul>



PROBLEMA	PRIEŽASTIS	SPRENDIMAS
Per didelę vibraciją.	<ul style="list-style-type: none"> <li>Peiliai atsipalaidavę.</li> </ul>	<ul style="list-style-type: none"> <li>Priveržkite peilio varžtą rekomenduojama priveržimo jėga.</li> </ul>
	<ul style="list-style-type: none"> <li>Peiliai sulinkę.</li> </ul>	<ul style="list-style-type: none"> <li>Sulenktą peilį pakeiskite vadovaudamiesi skyriuje „<b>PEILIŲ KEITIMAS</b>“ pateiktais nurodymais.</li> </ul>
	<ul style="list-style-type: none"> <li>Pjovimo platforma neišlyginta horizontaliai.</li> </ul>	<ul style="list-style-type: none"> <li>Išlyginkite horizontaliai pjovimo platformą vadovaudamiesi skyriuje „<b>PJOVIMO PLATFORMOS IŠLYGINIMAS HORIZONTALIAI</b>“ pateiktais nurodymais.</li> </ul>
	<ul style="list-style-type: none"> <li>Atsisukę pjovimo platformos pakabos traukės veržlės.</li> </ul>	<ul style="list-style-type: none"> <li>Priveržkite pakabos traukės veržles.</li> </ul>
	<ul style="list-style-type: none"> <li>Traktoriukas nustatytas iš karto pjauti per daug žolės.</li> </ul>	<ul style="list-style-type: none"> <li>Pakelkite pjovimo platformą į didesnį aukštį.</li> </ul>
Po pjovimo ant vejos lieka žolė ar šiukšlės.	<ul style="list-style-type: none"> <li>Traktoriukas nustatytas iš karto pjauti per daug žolės, kai ji aukšta.</li> </ul>	<ul style="list-style-type: none"> <li>Veją pradėkite pjauti nustatę didesnį aukštį, kurį po to mažinkite, kol pasieksite pageidaujamą pjovimo rezultatą. Aukštesnę nei 152 cm žolę reikia pjauti per du kartus, palaipsniui mažinant pjovimo aukštį.</li> </ul>
	<ul style="list-style-type: none"> <li>Žolė šlapia.</li> </ul>	<ul style="list-style-type: none"> <li>Palaukite, kol šlapia žolė išdžius, ir tik tada pjaukite.</li> </ul>
	<ul style="list-style-type: none"> <li>Per didelis važiavimo greitis.</li> </ul>	<ul style="list-style-type: none"> <li>Sumažinkite važiavimo greitį.</li> </ul>
	<ul style="list-style-type: none"> <li>Per mažas peilių sukimosi greitis.</li> </ul>	<ul style="list-style-type: none"> <li>Palaipsniui padidinkite peilių sukimosi greitį.</li> </ul>
Su įkrauta baterija traktoriukas dirba per trumpai.	<ul style="list-style-type: none"> <li>Veikimo trukmė labai priklauso nuo vejos reljefo, žolės būklės, pjovimo aukščio nustatymo, važiavimo greičio, peilių sukimosi greičio ir pan.</li> </ul>	<ul style="list-style-type: none"> <li>Padidinkite pjovimo aukštį ir sumažinkite peilių sukimosi greitį, kad sumažėtų pjovimo apkrava.</li> </ul>
Traktoriukas nevažiuoja tiesiai.	<ul style="list-style-type: none"> <li>Skiriasi kairiosios ir dešinėsios pusės galinių ratų oro slėgis padangose.</li> </ul>	<ul style="list-style-type: none"> <li>Patikrinkite ir sureguliuokite oro slėgį abiejose galinių ratų padangose, kaip nurodyta skyriuje „<b>SPECIFIKACIJOS</b>“.</li> </ul>
	<ul style="list-style-type: none"> <li>Skiriasi kairiosios ir dešinėsios pusės galinių ratų sukimosi greitis.</li> </ul>	<ul style="list-style-type: none"> <li>Sukalibruokite traktoriuko vairą pagal instrukcijas skyriuje „<b>TRAKTORIUKO JUDEJIMO SISTEMOS KALIBRAVIMAS</b>“.</li> </ul>
Stovėjimo stabdžio negalima atleisti iš stabdymo padėties arba jis per lėtai grįžta į pradinę padėtį.	<ul style="list-style-type: none"> <li>Į stovėjimo stabdžio pedalo vidų galėjo patekti šiukšlių ar purvo.</li> </ul>	<ul style="list-style-type: none"> <li>Atidarykite stovėjimo stabdžio pedalo dėžutę, kruopščiai išvalykite jos vidų ir vėl uždarykite. Išbandykite stovėjimo stabdžio pedalo veikimą ir patikrinkite, ar problema išspręsta. Jei nepavyksta, dėl remonto kreipkitės į kvalifikuotą techninės priežiūros specialistą.</li> </ul>

PROBLEMA	PRIEŽASTIS	SPRENDIMAS
Traktoriuko negalima įkrauti prijungus per įkrovimo jungtį, nors būsenos indikatorius šviečia raudonai.	<ul style="list-style-type: none"> <li>Įkroviklio kištukas netinkamai įstatytas į traktoriaus įkrovimo jungtį.</li> </ul>	<ul style="list-style-type: none"> <li>Iš naujo prijunkite įkroviklio kištuką ir patikrinkite, ar vyksta įkrovimas.</li> </ul>
	<ul style="list-style-type: none"> <li>Sieniniame elektros lizde nėra įtampos.</li> </ul>	<ul style="list-style-type: none"> <li>Nieko nereikia daryti. Palaukite, kol atsiras maitinimo įtampa.</li> </ul>
	<ul style="list-style-type: none"> <li>Sugedęs įkroviklis.</li> </ul>	<ul style="list-style-type: none"> <li>Kreipkitės į EGO klientų aptarnavimo centrą, kad patikrintų ir, jei reikia, suremontuotų įkroviklį.</li> </ul>
	<ul style="list-style-type: none"> <li>Sugedusi traktoriaus įkrovimo jungtis.</li> </ul>	<ul style="list-style-type: none"> <li>Kreipkitės į EGO klientų aptarnavimo centrą.</li> </ul>
Įkrovimas per įkrovimo jungtį trunka pernelyg ilgai.	<ul style="list-style-type: none"> <li>Naudojant EGO adapterį ACA1000 įkrovimas trunka ilgai.</li> </ul>	<ul style="list-style-type: none"> <li>Nulinio posūkio spindulio traktoriukui tiesiogiai įkrauti naudokite EGO įkroviklį CHV1600E.</li> </ul>
Baterijos negalima iki galo įkrauti per traktoriuko įkrovimo jungtį.	<ul style="list-style-type: none"> <li>Traktoriuko ar baterijos aparatinės programinės įrangos klaida arba įkroviklio gedimas.</li> </ul>	<ul style="list-style-type: none"> <li>Atlikite įkroviklio atstatą, atjungdami jį nuo elektros lizdo ir palaukdami ne mažiau kelių minučių. Tuomet vėl prijunkite kištuką prie elektros lizdo. Jei tai problemos neišsprendžia, kreipkitės į EGO klientų aptarnavimo centrą.</li> </ul>
Po valymo traktoriuko neįmanoma paleisti.	<ul style="list-style-type: none"> <li>Netinkamas valymas, pavyzdžiui, vanduo pateko į elektrinius komponentus, ant LCD ekrano ir pan.</li> </ul>	<ul style="list-style-type: none"> <li>Valydami laikykitės skyriuje „<b>BENDROJI PRIEŽIŪRA</b>“ pateiktų nurodymų.</li> <li>Jeigu traktoriukas atsitiktinai pateko į lietu, pastatykite jį išdžiūti lauke arba išdžiovinkite pūsdami suslėgtąjį orą.</li> </ul>
Pjovimo platforma greitai užsikemša.	<ul style="list-style-type: none"> <li>Po ankstesnio naudojimo pjovimo platforma nebuvo tinkamai išvalyta.</li> </ul>	<ul style="list-style-type: none"> <li>Kiekvieną kartą po naudojimo išplaukite traktoriuko pjovimo platformą pagal nurodymus skyriuje „<b>PJOVIMO JUNGTIES NAUDOJIMAS PJOVIMO PLATFORMAI PLAUTI</b>“.</li> </ul>
Važiuodamas įkalnėn traktoriukas pradeda slysti.	<ul style="list-style-type: none"> <li>Nudilę traktoriuko galinių ratų padangos.</li> </ul>	<ul style="list-style-type: none"> <li>Pakeiskite ratų padangas artimiausiose remonto dirbtuvėse.</li> </ul>
	<ul style="list-style-type: none"> <li>Žolės pjovimas stačiame šlaite.</li> </ul>	<ul style="list-style-type: none"> <li>Žolę pjauti galima ne statesniuose nei nurodyta šlaituose.</li> </ul>
Traktoriukui sustojus ant šlaito ir nuspaudus stovėjimo stabdžio pedalą, jis vis tiek slysta žemyn.	<ul style="list-style-type: none"> <li>Netinkamai naudojant traktoriuką susidėvėjo stabdžių komponentai.</li> </ul>	<ul style="list-style-type: none"> <li>Kreipkitės į EGO klientų aptarnavimo centrą dėl remonto.</li> </ul>

PROBLEMA	PRIEŽASTIS	SPRENDIMAS
Bandant plauti pjovimo platformą iš plovimo jungties neteka vanduo.	<ul style="list-style-type: none"> <li>Plovimo jungties greitojo sujungimo mova netinkamai prijungta prie plovimo jungties.</li> </ul>	<ul style="list-style-type: none"> <li>Iš naujo prijunkite plovimo jungties greitojo sujungimo movą taip, kad stipriai prispaudę išgirstumėte spragtelėjimą. Jei tai nepadeda, kreipkitės į EGO klientų aptarnavimo centrą.</li> </ul>
Stumiant rankomis neužvestą traktoriuką girdimas neįprastas garsas.	<ul style="list-style-type: none"> <li>Garsą skleidžia traktoriuko variklio magnetai.</li> </ul>	<ul style="list-style-type: none"> <li>Tai normalu ir nereikia imtis jokių veiksmų.</li> </ul>
Vairo negalima pasukti.	<ul style="list-style-type: none"> <li>Vairo mechanizmui trukdo šiukšlės.</li> </ul>	<ul style="list-style-type: none"> <li>Patikrinkite ir pašalinkite šiukšles.</li> </ul>
Pasukus vairą traktoriukas nesisuka į kairę ar į dešinę.	<ul style="list-style-type: none"> <li>Elektroninių arba mechaninių komponentų gedimas.</li> </ul>	<ul style="list-style-type: none"> <li>Kreipkitės į EGO klientų aptarnavimo centrą dėl remonto.</li> </ul>
Atleidus akceleratoriaus pedalą traktoriukas nesustoja.	<ul style="list-style-type: none"> <li>Akceleratoriaus pedalui trukdo judėti šiukšlės.</li> </ul>	<ul style="list-style-type: none"> <li>Patikrinkite ir pašalinkite šiukšles.</li> </ul>
	<ul style="list-style-type: none"> <li>Važiuojant netyčia paspaudžiamas CCS mygtukas. Traktoriukas važiuoja su įjungta greičio palaikymo sistema.</li> </ul>	<ul style="list-style-type: none"> <li>Patikrinkite, ar LCD ekrane šviečia CCS piktograma, ir, jei reikia, CCS išjunkite. Žr. skyrių „GREIČIO PALAIKYMO SISTEMOS (CCS) NAUDOJIMAS“.</li> </ul>
CCS funkcijos negalima įjungti arba išjungti.	<ul style="list-style-type: none"> <li>Netinkamai paspaustas CCS mygtukas.</li> </ul>	<ul style="list-style-type: none"> <li>Spauskite CCS mygtuką, kol CCS piktograma LCD ekrane užsidegs arba užges.</li> </ul>
Traktoriukas nevažiuoja atbuline eiga, patraukus į save kairiąją ar dešiniąją mentelę (-es).	<ul style="list-style-type: none"> <li>Nedega žalias traktoriuko būsenos indikatorius ir traktoriukas nėra paruoštas važiavimui.</li> </ul>	<ul style="list-style-type: none"> <li>Pagal nurodymus skyriuje „TRAKTORIUKO PALEIDIMAS“ uždekite ekrane žalią būsenos indikatorius, kad traktoriukas būtų paruoštas važiavimui.</li> </ul>
	<ul style="list-style-type: none"> <li>Kairioji ar dešinioji mentelė (-ės) tinkamai nepatraukta link vairuotojo.</li> </ul>	<ul style="list-style-type: none"> <li>Traukite į save kairiąją, dešiniąją arba abi menteles vienu metu, kol pasigirs „spragtelėjimo“ garsas.</li> </ul>
	<ul style="list-style-type: none"> <li>Kairioji ar dešinioji mentelė (-ės) nelaikoma patraukta link vairuotojo.</li> </ul>	<ul style="list-style-type: none"> <li>Norint važiuoti atbuline eiga, bent viena iš mentelių turi būti traukiama link vairuotojo.</li> </ul>
	<ul style="list-style-type: none"> <li>Kairioji ar dešinioji mentelė (-ės) sugedusi.</li> </ul>	<ul style="list-style-type: none"> <li>Dėl remonto kreipkitės į kvalifikuotą techninės priežiūros specialistą.</li> </ul>

## GEDIMŲ KODAI IR TRAKTORIUKO BŪSENOS INDIKATORIUS

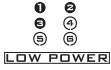


LCD ekranas	Aprašymas	Gedimo kodas LCD ekrane	Traktoriuko būsenos indikatorius	Garsinis signalas	Priežastis	Sprendimas
	LCD ekrane rodoma LED žibintų piktograma.	Nėra	Nedega	Nėra	LED žibintų jungikliu įjungti priekiniai, šoniniai ir galiniai žibintai.	Tai normalu. Nieko nereikia daryti.
	LCD ekrane rodoma USB piktograma.	Nėra	Nedega	Nėra	Užsidegusi USB piktograma reiškia, kad tinkamai paleidus traktoriuką galima prijungti USB prietaisą.	Tai normalu. Nieko nereikia daryti.
	LCD ekrane rodoma baterijos įkrovos piktograma.	Nėra	Nedega	Nėra	Rodomą vidutinę įstatytų sudėtinių baterijų įkrovos vertę.	Tai normalu. Nieko nereikia daryti.
	LCD ekrane rodoma valandų skaitiklio piktograma.	Nėra	Nedega	Nėra	Rodo bendrą traktoriuko važiavimo laiką valandomis, kurio negalima atstatyti.	Tai normalu. Nieko nereikia daryti.
	ECO diapazone rodoma apkrovos indikatorius piktograma.	Nėra	Nedega	Nėra	Rodo einamąją traktoriuko apkrovą.	Tai normalu. Nieko nereikia daryti.
	LCD ekrane rodoma atbulinės eigos piktograma.	Nėra	Nedega	Nėra	Tai reiškia, kad traktoriukas važiuoja atgal.	Tai normalu. Nieko nereikia daryti.
	Mirksi saugos raktelio piktograma.	Nėra	Nedega	Nėra	Saugos raktelis neįkištas į lizdą.	Įstatykite saugos raktą ir tuomet paspauskite ir palaikykite nuspaudę START/STOP mygtuką, kad paleistumėte traktoriuką.
					Sugedęs raktų valdymo skydelio blokas.	Dėl remonto kreipkitės į kvalifikuotą techninės priežiūros specialistą.

LT

LCD ekranas	Aprašymas	Gedimo kodas LCD ekrane	Traktoriuko būsenos indikatorius	Garsinis signalas	Priežastis	Sprendimas
	Mirksi atitinkamo baterijos skyriaus piktograma.	Nėra	Nedega	Nėra	Konkrečioje baterijoje išsikrovimo metu susidarė viršsrovis.	Nieko nereikia daryti. Traktoriukas gali tęsti darbą, jei bendra įstatytų baterijų talpa Ah, atmetus bateriją su viršsroviu, atitinka reikalavimus. Kai tik baterija su viršsroviu grįš į normalią būseną, ji iš karto prisijungs prie traktoriuko maitinimo ir piktograma išnyks.
	Mirksi tuščio baterijų skyriaus piktograma.	Nėra	Nedega	Nėra	Baterijos įkrovos nepakanka traktoriukui dirbti.	Norėdami paleisti šį traktoriuką, naudokite pakankamą EGO baterijų kiekį pagal instrukcijas, pateiktas šio vadovo skyriuje „ <b>SUDĖTINĖS BATERIJOS ĮSTATYMAS IR ATJUNGIMAS</b> “.
	Mirksi perkrovos indikatorius.	Nėra	Mirksi raudonas	Vienas pyptelėjimas	Peilių variklio perkrova.	Padidinkite pjovimo aukštį arba sumažinkite važiavimo greitį, kad sumažėtų traktoriuko apkrova.
					Šoninį išmetimo kanalą užkimšo žolė ir šiukšlės.	Kiekvieną kartą po darbo išvalykite šoninį išleidimo kanalą.
					Peilis kliūna už traktoriuko platformos.	Kreipkitės į EGO klientų aptarnavimo centrą.
	Mirksi temperatūros piktograma.	Nėra	Nedega	Vienas pyptelėjimas	Traktoriukas perkaito.	Sumažinkite traktoriuko apkrovą, padidindami pjovimo aukštį arba sumažindami peilio sukimosi ar važiavimo greitį. Padarykite pertrauką ir leiskite traktoriukui atvėsti.
					Traktoriukas pernelyg įšalęs.	Nebandykite pakartotinai, nes įrenginį galite sugadinti. Traktoriuką ir baterijas visada laikykite šiltoje aplinkoje. Traktoriukui sušilus vėl bandykite jį paleisti.

LCD ekranas	Aprašymas	Gedimo kodas LCD ekrane	Traktoriuko būsenos indikatorius	Garsinis signalas	Priežastis	Sprendimas
	<p>Vienu metu mirksi temperatūros piktograma ir tiksliai užimto baterijų skyriaus vieta.</p>	Nėra	Nedega	Nėra	Perkaito sudėtinė baterija atitinkamo numerio baterijų skyriuje.	<p>1. Traktoriukas gali tęsti darbą, jei bendra įstatytų baterijų talpa Ah, atmetus perkaitusią bateriją, atitinka reikalavimus. Kai perkaitusi baterija atvėsta iki įprastos temperatūros, ji iš karto prisijungia prie traktoriuko galios didinimo.</p>
						<p>2. Jei bendra įstatytų baterijų talpa nėra pakankama, traktoriukas nedirbs, kol į tuščias vietas baterijų skyriuje neįstatysite daugiau sudėtinių baterijų.</p>
						<p>3. Sumažinkite traktoriuko apkrovą padidindami žolės pjovimo aukštį arba sulėtindami pjovimą, o po to vėl atnaujinkite darbą.</p>
	<p>Vienu metu LCD ekrane kas 1 sekundę mirksi kiekvieno užimto baterijų skyriaus piktogramos, žemos galios indikatorius ir baterijos segmentai įkrovos indikatoriuje. Taip pat mirksi pirmasis LED įkrovos indikatorius segmentas ir būsenos indikatorius.</p>	Nėra	Mirksi raudonas	Nuolat pypsi, kol nuspaudžiamas PTO jungiklis	Maža sudėtinių baterijų įkrova ir traktoriukas yra avariniame grįžimo režime.	<p>Nutraukite darbą ir grįžkite į baterijų įkrovimo vietą.  <b>PASTABA:</b> Kai traktoriukas persijungia į avarinį grįžimo režimą, automatiškai sumažinamas peilių sukimosi greitis; tuo pat metu nuolat skamba garsinis signalas. Vairuotojas turi nuspusti PTO jungiklį ir išjungti peilių variklius. Sustojus peiliams garsinis signalas nustos pypsėti.</p>

LT

LCD ekranas	Aprašymas	Gedimo kodas LCD ekrane	Traktoriuko būsenos indikatorius	Garsinis signalas	Priežastis	Sprendimas
	Kiekvieno užimto baterijų skyriaus piktogramos ir žemos galios indikatorius mirksi kas 0,5 sekundės, o pirmasis LED įkrovos indikatoriaus segmentas mirksi raudona spalva taip pat kas 0,5 sek.	Nėra	Mirksi raudonas	Nuolat pypsi	Sudėtinės baterijos beveik išsikrovė.	Traktoriukas iš karto sustoja. Vairuotojas turi jį nugabenti į baterijos įkrovimo vietą.
	LCD ekrane mirksi automatinio statymo piktograma.	Nėra	Nedega	Nuolat pypsi	Traktoriukas pastatytas ant šlaito ir vairuotojas iš jo išlipo nenustatęs stabdžio pedalo į stabdymo padėtį.	Nustatykite stabdžių pedalą į stabdymo padėtį. Automatinio statymo piktograma ir garsinis signalas išsijungs.
	LCD ekrane rodoma stabdžių pedalo piktograma.	Nėra	Nedega	Nėra	Stovėjimo stabdžio pedalas nustatytas į stabdymo padėtį.	Atleiskite stabdį prieš paleisdami traktoriuką.

**PASTABA:** Jei LCD ekrane pasirodo gedimo kodas, išimkite visas sudėtines baterijas ir vėl jas įdėkite po kelių minučių. Jei tai problemos neišsprendžia, vadovaukitės toliau pateiktu gedimo kodo trikties šalinimo procedūra.

LCD ekranas	Aprašymas	Gedimo kodas LCD ekrane	Traktoriuko būsenos indikatorius	Garsinis signalas	Priežastis	Sprendimas
	LCD ekrane rodoma sėdynės jutiklio piktograma.	Nėra	Nedega	Nėra	Vairuotojas pakilo nuo sėdynės arba atjungta sėdynės apsauginė blokavimo sistema.	Jeigu vairuotojas sėdi sėdynėje, o piktograma dega, iš karto nutraukite darbą ir patikrinkite sėdynės jungtį. Jeigu sėdynė tinkamai prijungta prie traktoriuko, dėl remonto kreipkitės į kvalifikuotą techninės priežiūros specialistą.
	Mirksi PTO jungiklio piktograma.	Nėra	Nedega	Nėra	Išjungtas veiks peilių variklis, tačiau neišjungtas PTO jungiklis.	Prieš vėl paleisdami traktoriuką, nuspauskite PTO jungiklį ir išjunkite peilių variklius. Daugiau informacijos rasite šios instrukcijos skyriuje „TRIKČIŲ ŠALINIMAS“.
	Retkarčiais mirksi energijos regeneracijos piktograma.	Nėra	Nedega	Nėra	Stabdymo ar važiavimo nuokalnėn metu sukuriamą kinetinę energiją paverčiama elektros energija, kuri naudojama sudėtinėms baterijoms įkrauti.	Tai normalu. Nieko nereikia daryti.
	Mirksi CCS piktograma.	Nėra	Nedega	Nėra	Sugedo CCS (greičio palaikymo sistemos) funkcija.	CCS funkcijos nepavyko nustatyti, nes traktoriukas važiuoja labai mažu greičiu arba atbuline eiga.

LT



LCD ekranas	Aprašymas	Gedimo kodas LCD ekrane	Traktoriuko būsenos indikatorius	Garsinis signalas	Priežastis	Sprendimas	
Žr. „Gedimo kodą“	Nesisuka kairysis varantysis variklis.	Sugedo spausdintinė plokštė, valdanti kairįjį varantįjį variklį.	413	Nedega	Vienas pyptelėjimas	Spausdintinės plokštės gedimas.	Dėl remonto kreipkitės į kvalifikuotą techninės priežiūros specialistą.
		Atsipalaidavo trifazio maitinimo laido kištukas, jungiantis kairįjį varantįjį variklį su atitinkama spausdintine plokšte.	317	Nedega	Vienas pyptelėjimas	Atsipalaidavusi jungtis.	
		Atsipalaidavo šešių kontaktų signalinis laido kištukas, jungiantis kairįjį varantįjį variklį su atitinkama spausdintine plokšte.	301	Nedega	Vienas pyptelėjimas	Atsipalaidavusi jungtis.	
		Sugedo kairysis varantysis variklis.	317	Nedega	Vienas pyptelėjimas	Variklio gedimas.	

**LT**

LCD ekranas	Aprašymas	Gedimo kodas LCD ekrane	Traktoriuko būsenos indikatorius	Garsinis signalas	Priežastis	Sprendimas	
Žr. „Gedimo kodą“	Nesisuka dešinysis varantysis variklis.	Sugedo spausdintinė plokštė, valdanti dešinį varantį variklį.	313	Nedega	Vienas pyptelėjimas	Spausdintinės plokštės gedimas.	Dėl remonto kreipkitės į kvalifikuotą techninės priežiūros specialistą.
		Atsipalaidavo trifazio maitinimo laido kištukas, jungiantis dešinį varantį variklį su atitinkama spausdintine plokšte.	417	Nedega	Vienas pyptelėjimas	Atsipalaidavusi jungtis.	
		Atsipalaidavo šešių kontaktų signalinis laido kištukas, jungiantis dešinį varantį variklį su atitinkama spausdintine plokšte.	401	Nedega	Vienas pyptelėjimas	Atsipalaidavusi jungtis.	
		Sugedo dešinysis varantysis variklis.	417	Nedega	Vienas pyptelėjimas	Variklio gedimas.	

LT

LCD ekranas	Aprašymas		Gedimo kodas LCD ekrane	Traktoriuko būsenos indikatorius	Garsinis signalas	Priežastis	Sprendimas
Žr. „Gedimo kodą“	Nesisuka kairiojo peilio variklis.	Sugedo spausdintinė plokštė, valdanti kairiojo peilio variklį.	607	Nėra	Vienas pyptelėjimas	Spausdintinės plokštės gedimas.	Dėl remonto kreipkitės į kvalifikuotą techninės priežiūros specialistą.
		Atsikalaidavo trifazio maitinimo laido kištukas, jungiantis kairįjį peilių variklį su atitinkama spausdintine plokšte.	509	Nėra	Vienas pyptelėjimas	Atsikalaidavusi jungtis.	Pradžioje patikrinkite peilį. Jei varžtas atsikalaiduoja, priveržkite rekomenduojama priveržimo jėga. Priešingu atveju dėl remonto kreipkitės į kvalifikuotą techninės priežiūros specialistą.
		Sugedo kairiojo peilio variklis.	509	Nėra	Vienas pyptelėjimas	Variklio gedimas.	
Žr. „Gedimo kodą“	Nesisuka dešiniojo peilio variklis.	Sugedo spausdintinė plokštė, valdanti dešiniojo peilio variklį.	507	Nėra	Vienas pyptelėjimas	Spausdintinės plokštės gedimas.	Dėl remonto kreipkitės į kvalifikuotą techninės priežiūros specialistą.
		Atsikalaidavo trifazio maitinimo laido kištukas, jungiantis dešinįjį peilių variklį su atitinkama spausdintine plokšte.	609	Nėra	Vienas pyptelėjimas	Atsikalaidavusi jungtis.	Pradžioje patikrinkite peilį. Jei varžtas atsikalaiduoja, priveržkite rekomenduojama priveržimo jėga. Priešingu atveju dėl remonto kreipkitės į kvalifikuotą techninės priežiūros specialistą.
		Sugedo dešiniojo peilio variklis.	609	Nėra	Vienas pyptelėjimas	Variklio gedimas.	
Žr. „Gedimo kodą“	Sugedo akceleratoriaus pedalas.	311/ 411	Nedega	Vienas pyptelėjimas	Spausdintinės plokštės gedimas.	Dėl remonto kreipkitės į kvalifikuotą techninės priežiūros specialistą.	
	307/ 407	Atsikalaidavusi jungtis.					

**LT**

LCD ekranas	Aprašymas		Gedimo kodas LCD ekrane	Traktoriuko būsenos indikatorius	Garsinis signalas	Priežastis	Sprendimas
Žr. „Gedimo kodą“	Sugedo vairas.		312/412	Nedega	Vienas pyptelėjimas	Spausdintinės plokštės gedimas. Atsipalaidavusi jungtis.	Dėl remonto kreipkitės į kvalifikuotą techninės priežiūros specialistą.
Žr. „Gedimo kodą“	Sugedo stovėjimo stabdys ir traktoriukas negali pajudėti.	Sugedo stovėjimo stabdžio spausdintinė plokštė priekiniame rėme.	309/409	Nedega	Vienas pyptelėjimas	Spausdintinės plokštės gedimas.	Dėl remonto kreipkitės į kvalifikuotą techninės priežiūros specialistą.
		Sugedo stovėjimo stabdžio jungiklis ir (ar) pažeistas laidas.	801	Nedega	Vienas pyptelėjimas	Laido / jungiklio gedimas	
LT Nedega	Įkrovimo jungties gedimas		Nėra	Dega raudonas	Nėra	Atvira įkrovimo jungties grandinė.	Dėl remonto kreipkitės į kvalifikuotą techninės priežiūros specialistą.
			Nėra	Dega raudonas	Nėra	Nėra maitinimo įtampos.	Patikrinkite sieninį elektros lizdą, ar yra 220–240 V maitinimo įtampa ir ar lizdas geras.
			Nėra	Dega raudonas	Nėra	Perdegęs saugiklis.	Dėl remonto kreipkitės į kvalifikuotą techninės priežiūros specialistą.
Žr. „Gedimo kodą“	Sugedo įkrovimo jungtis.		204	Nėra	Vienas pyptelėjimas	Atvira įkrovimo jungties grandinė.	Dėl remonto kreipkitės į kvalifikuotą techninės priežiūros specialistą.

LCD ekranas	Aprašymas	Gedimo kodas LCD ekrane	Traktoriuko būsenos indikatorius	Garsinis signalas	Priežastis	Sprendimas
Žr. „Gedimo kodą“	Neveikia baterijų dėžutės blokas.	217	Nėra	Vienas pyptelėjimas	Nėra maitinimo iš baterijų dėžutės bloko. Neveiks LED žibintai ir USB lizdas.	Dėl remonto kreipkitės į kvalifikuotą techninės priežiūros specialistą.
		310/ 410	Nedega	Vienas pyptelėjimas	Nėra jungties tarp baterijų dėžutės bloko „C“ tipo laidų ir kitų traktoriuko „C“ tipo laidų.	
		201/ 202/ 203	Nedega	Vienas pyptelėjimas	Sugedusi baterijų dėžutės bloko baterijų valdymo sistema.	
Žr. „Gedimo kodą“	Sugedo paleidimo ir sustabdymo mygtukas.	314/ 414	Nedega	Vienas pyptelėjimas	Jungiklio spausdintinės plokštės gedimas arba netinkamai prijungtas paleidimo ir sustabdymo mygtukas.	Dėl remonto kreipkitės į kvalifikuotą techninės priežiūros specialistą.
Žr. „Gedimo kodą“	Sugedo LCD ekranas.	315/ 415	Nedega	Vienas pyptelėjimas	Sugedęs arba netinkamai prijungtas LCD blokas.	Dėl remonto kreipkitės į kvalifikuotą techninės priežiūros specialistą.

## GARANTIJA

### EGO GARANTIJOS TAISYKLĖS

Jei norite sužinoti visas „EGO“ garantinės politikos sąlygas, apsilankykite interneto svetainėje [egopowerplus.com](http://egopowerplus.com).

## IZLASIET VISUS NORĀDĪJUMUS!



IZLASIET EKSPLUATĀCIJAS ROKASGRĀMATU

## DROŠĪBAS APZĪMĒJUMS

Drošības apzīmējumi ir paredzēti, lai pievērstu jūsu uzmanību iespējamiem apdraudējumiem. Pievērsiet uzmanību drošības apzīmējumiem un to skaidrojumiem, un izprotiet tos. Brīdinājumu apzīmējumi paši par sevi nenovērš apdraudējumu. Tajos ietvertie norādījumi un brīdinājumi neaizstāj atbilstošu negadījumu novēršanas pasākumu īstenošanu.

**▲ BRĪDINĀJUMS!** Pirms šī instrumenta lietošanas izlasiet un izprotiet visus šajā lietotāja rokasgrāmatā iekļautos drošības norādījumus, tostarp visus drošības brīdinājuma apzīmējumus, piemēram, „**BĪSTAMI!**” „**BRĪDINĀJUMS!**” un „**UZMANĪBU!**”. Visu turpmāk uzskaitīto norādījumu neievērošana var izraisīt elektriskās strāvas triecienu, aizdegšanos un/vai smagus miesas bojājumus.

## SIMBOLA NOZĪME

Šajā lapaspusē ir parādīti un aprakstīti drošības apzīmējumi, kas var būt norādīti uz šī izstrādājuma. Pirms iekārtas montāžas un lietošanas izlasiet, izprotiet un ievērojiet visus uz iekārtas sniegtos norādījumus.

## DROŠĪBAS SIMBOLI



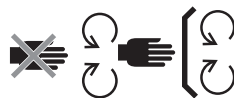
Drošības brīdinājums



Izlasiet un izprotiet lietotāja rokasgrāmatu



Acu aizsarglīdzekļi



Veiciet drošības ierīcēm apkopi



**BĪSTAMI!** Pastāv draudi, ko rada stāvas nogāzes



**BĪSTAMI!** Neļaujiet nepiederošām personām tuvu asmeņiem



Nekad nepārvadājiēt bērņus



Braucot atpakaļgaitā, skatieties atpakaļ



**BRĪDINĀJUMS!** Neizmantojiet šo mašīnu stāvās vietās, kurās slīpums ir lielāks par 12°



**BĪSTAMI!** Var tikt izsviesti priekšmeti



**BRĪDINĀJUMS!** TURIET ROKAS UN KĀJAS DROŠĀ ATTĀLUMĀ



Garantētais skaņas intensitātes līmenis. Saskaņā ar Eiropas Kopienas direktīvu.

LV



Nekāpiet virsū



Elektrisko izstrādājumu atkritumus nedrīkst izmest kopā ar sadzīves atkritumiem. Nogādāt uz pilnvarotu pārstrādes punktu.



Šis izstrādājums atbilst piemērojamām EK direktīvām



Uzmanību! Neskatīties tieši darba lampā.



Līdzstrāva



Šis izstrādājums atbilst piemērojamiem Apvienotās Karalistes tiesību aktiem.

kPa

Kilopaskāli

RPM

Apgriezieni minūtē

V

Volti

m

Mēritāji

colla

Colla

cm

Centimetri

Nm

Ņūtonmetri

mm

Millimetri

°C

Celsijs

kg

Kilograms

km/h

Kilometri stundā

IPX4

Aizsardzības klase

## DROŠĪBAS SIMBOLI



Informācija ir jāņem vērā



Norādītā darbība tiek pārtraukta

## SPECIFIKĀCIJAS

Spriegums	56 V	
Plāušanas bloka izmērs	107 cm	
Aizmugurējā riteņa izmērs	Priekšā	279,4 x 101,6 - 127 mm
	Aizmugurē	457,2 x 241,3 - 203,2 mm
Spiediens aukstās riepās	Priekšā	222,1 kPa
	Aizmugurē	110,3 kPa
Pagrieziena rādiuss	0	
Asmens griešanās ātrums (RPM)	2400; 2600; 2800; 3000	

Maksimālais braukšanas ātrums	Uz priekšu	4,8 km/h, 8,1 km/h, 9,7 km/h, 11,3 km/h (12,8 km/h braukšanas režīmā)
	Atpakaļgaitā	līdz 5,6 km/h
Notiek uzlāde	Lādētājs (pēc izvēles)	CHV1600E
	Adapteris (pēc izvēles)	ACA1000
	Uzlādes temperatūras diapazons	5°C līdz 40°C
Griešanas augstuma regulēšana (10 pozīcijas)	25 līdz 100 mm	

LV

Darba temperatūra	0°C līdz 40°C	
Uzglabāšanas temperatūra	-20°C līdz 70°C	
Svars (bez akumulatoru bloka)	196 kg	
Izmērītais skaņas intensitātes līmenis $L_{WA}$	96,44 dB(A) K=0,68 dB(A)	
Trokšņa spiediena līmenis pie lietotāja auss $L_{PA}$	84,3 dB(A) K=3,0 dB(A)	
Garantētais skaņas intensitātes līmenis $L_{WA}$ (mērīts saskaņā ar 2000/14/EK)	100 dB(A)	
Vibrācija $a_h$	Roka	1,221 m/s <sup>2</sup> K=1,5 m/s <sup>2</sup>
	Ķermenis	0,568 m/s <sup>2</sup> K=1,5 m/s <sup>2</sup>

- Norādītā vibrāciju kopējā vērtība ir izmērīta saskaņā ar standarta pārbaudes metodi un var tikt izmantota, lai salīdzinātu vairākus instrumentus.
- Deklarēto vibrāciju emisijas vērtību var arī lietot iepriekšējai vibrāciju iedarbības novērtēšanai.

**PIEZĪME!** Vibrāciju emisijas faktiskajā elektroinstrumenta darbināšanas laikā var atšķirties no norādītās vērtības. Lai pasargātu operatoru, lietotājam jāvalkā cimdi un dzirdes aizsarglīdzekļi atbilstoši faktiskajiem darba apstākļiem.

**LV**

## IETEICAMIE PIEDERUMI

**▲ BRĪDINĀJUMS!** Izmantojiet tikai identiskas, sarakstā norādītās rezerves daļas. Oriģinālā aprīkojuma specifikācijām neatbilstošu daļu izmantošana var radīt nepareizu plaujmašīnas darbību un apdraudēt jūsu drošību.

DAĻAS NOSAUKUMS	MODEĻA NUMURS
Standarta asmens	AB4200
Augstas celtpējas asmens	AB4201
Mulčēšanas ieliktnis	AMP4200
Zāles savācēja komplekts	ABK4200-A

Aizmugurējais bamperis	AMB1000
Kravas kaste	AMG1000
Saulessargs	AMS1000

## APRAKSTS

### PĀRZINIET SAVU ZĀLES PĻĀVĒJU (A1 att.)

1. Sēdekļis
2. Uzlādes pieslēgvietā
3. Barošanas bloks
4. LED aizmugurējā lampa
5. Uzglabāšanas nodalījums
6. LED sānu apgaismojums
7. Aizmugurējais ritenis (piedziņas ritenis)
8. Mazgāšanas ports
9. Pļaušanas bloks
10. Pļaušanas bloka aizsargs
11. Aizsargritenis
12. Priekšējais ritenis
13. Stāvbremzes pedālis
14. Braukšanas gaismas dienas laikā
15. LED priekšējie lukturi
16. Akseleratora pedālis
17. Pēdu novietošanas zona
18. Sānu izlādes tekne
19. Pļaušanas bloka augstuma regulēšanas svira
20. Sēdekļa balstiekārtas regulēšanas poga
21. Stūres rats
22. Labās puses kaste
23. Sēdekļa pozīcijas regulēšanas svira
24. PTO slēdzis
25. Poga „Start/Stop” (Palaist/Apturēt)
26. Drošības atslēga
27. Tālruņa glabāšanas slots
28. Krūžu turētāji
29. Kreisā lāpstīņa
30. Zāles pļāvēja statusa indikators



31. LCD ekrāns
32. Labā lāpstiņa
33. Asmens griešanās ātruma regulēšanas poga
34. CCS poga
35. Braukšanas režīma poga
36. LED apgaismojuma slēdzis
37. Braukšanas ātruma regulēšanas poga
38. Barošanas bloka vāciņa atbrīvošanas poga
39. Barošanas bloka vāciņš
40. Barošanas bloks ar sešiem akumulatoru nodalījumiem
41. Akumulatora atbrīvošanas poga
42. Sakabe
43. Pierīces stiprinājuma pārsegs
44. USB ports

### LCD EKRĀNA IEPAZĪŠANA (A2. attēls)

Sīkāku informāciju par LCD ekrāna ikonām un indikatoriem skatiet sadaļā „**PLĀVĒJA STATUSS UN KĻŪDU KODI**”.

1. Atpakaļgaitas ikona
2. CCS ikona
3. Drošības atslēgas ikona
4. LED apgaismojuma ikona
5. Automātiskās plāvēja novietošanas ikona
6. USB ikona
7. Asmens griešanās ātruma indikators
8. Drošības ierīces statusa indikators
9. Stundu skaitītājs
10. Brīvā akumulatora nodalījuma ikona
11. Temperatūras ikona
12. Aizņemta akumulatora nodalījuma ikona
13. Braukšanas režīms
14. Kļūdu kodu indikators
15. Pārslodzes indikators
16. Mazas jaudas indikators
17. Degvielas mērītājs

18. Slodzes indikators
19. Braukšanas ātruma indikators

## IZPAKOŠANA

**PIEZĪME!** Neizmetiet iepakojuma materiālu, kamēr neesat rūpīgi pārbaudījis, vai produkts darbojas apmierinoši. Ja iepakojuma sarakstā kāda no esošajām daļām plāvējam jau ir uzstādīta, lūdzu, nekavējoties sazinieties ar EGO servisa daļu.

**PIEZĪME!** Visi instrumenti, izņemot iepakojuma sarakstā norādītos, ir tikai ieteiktie instrumenti, un tādēļ tie nav iekļauti komplektācijā.

**PIEZĪME!** Neizņemiet putu bloku, kas atrodas zem stūres, pirms stūre nav pareizi uzstādīta. Vibrācija pārvietošanas laikā var izraisīt stūres rata bojājumus.

### IEPAKOJUMA SATURA SARAKSTS (B ATT.)

B-1	Nulles pagrieziena braucamais zāles plāvējs	B-2	Sēdekļis
B-3	Mulčēšanas ieliktnis	B-4	Ligzdu skrūves (2 rezerves)
B-5	Seškanšu atslēga	B-6	Ligzdu uzgriežņatslēga
B-7	Uzgriežņatslēga ar atvērtiem galiem	B-8	Drošības atslēgas
B-9	Mazgāšanas porta ātrais savienotājs	B-10	Operatora rokasgrāmatas

LV

## MONTĀŽA

### SĒDEKĻA UZSTĀDĪŠANA (C1 un C4 att.)

**▲ BRĪDINĀJUMS!** Drošības bloķēšanas sistēmu nav atļauts atvienot vai apiet. Pretējā gadījumā zāles plāvējs var negaidīti ieslēgties, izraisot miesas bojājumus.

**PIEZĪME!** Jūsu drošībai zāles plāvējs ir aprīkots ar braukšanas apturēšanas drošības funkciju gadījumiem, kad braukšanas laikā pēkšņi atvienojas sēdekļa slēdzis. Ja tas tā noticis, lūdzu, izlasiet sadaļu „**PROBLĒMU MEKLĒŠANA UN NOVĒRŠANA**”.

C1-1	Kontaktligzda	C1-2	Spraudnis
C1-3	Kabelis	C2-1	Sēdekļa rokturis
C2-2	Balstiekārtas pamatne	C2-3	Seškanšu atslēga
C2-4	Ligzdu skrūves	C2-5	Sēdekļa pozīcijas regulēšanas svira
C3-1	Tērauda sliedes	C3-2	Seškanšu atslēga
C3-3	Ligzdu skrūves	C4-1	Āķis

### STŪRES RATA UZSTĀDĪŠANA (C5. - C6. AT.)

C5-1	Bloķēšanas bultskrūve	C5-2	Stienis
C6-1	Lokācijas bloks	C6-2	Rieva
C6-3	Stūres rata aizsargs		

### MULČĒŠANAS IELIKTŅA UZSTĀDĪŠANA (C7 att.)

C7-1	Sānu izlādes tekne	C7-2	Mulčēšanas ieliktnis
C7-3	Pārvietojama atspere		

## REGULĒŠANA

### PIRMS REGULĒŠANAS (D1 att.)

### PLĀUŠANAS BLOKA AUGSTUMA REGULĒŠANA (D2 att.)

### AIZSARGRITENŅU NOREGULĒŠANA (D3 - D6 att.)

D3-1	Aizsargritenis	D5-1	Uzgrieznis
D5-2	Uzgriežņu bultskrūve	D6-1	Plāušanas bloka augstuma atzīmes etiķete

### SĒDEKĻA REGULĒŠANA (D7 att.)

D7-1	Sēdekļa pozīcijas regulēšanas svira	D7-2	Sēdekļa balstiekārtas regulēšanas poga
------	-------------------------------------	------	--

### STŪRES RATA REGULĒŠANA (D8 att.)

D8-1	Bloķēšanas bultskrūve	D8-2	Stienis
D8-3	Lokācijas bloks	D8-4	Rieva

## EKSPLUATĀCIJA

### PIRMS EKSPLUATĀCIJAS UZSĀKŠANAS (E1 att.)

### STĀVBREMZES UZSTĀDĪŠANA (E2 att.)

E2-1	Atlaistu bremžu stāvoklis	E2-2	Nospiestu bremžu stāvoklis
------	---------------------------	------	----------------------------

**PIEZĪME!** Lai samazinātu ātrumu, nekad nespiediet stāvbremzes pedāli. Ja stāvbremzes pedālis netiek nospiests līdz galam, zāles plāvējs pārtrauc kustību uz līdzenas virsmas, bet, ja tas notiek slīpumā, zāles plāvējs var sākt slīdēt lejup.

### AKUMULATORU BLOKA IEVIETOŠANA/ IZŅEMŠANA (E3 – E6 att.)

Lai iedarbinātu šo plāvēju, nepieciešami EGO akumulatori, kuru kopējā jauda ir 15 Ah (2 X BA4200T/ BA4200T) vai vairāk. Lai plāvējs darbotos ar vislabāko veiktspēju, iesakām izmantot EGO akumulatorus, kuru kopējā jauda ir 30 Ah vai vairāk.

E3-1	Pārsega atbrīvošanas poga	E5-1	Akumulatora atbrīvošanas poga
------	---------------------------	------	-------------------------------

### PLĀUJMAŠĪNAS UZLĀDE

Izmantojiet tikai kopā ar ieteikto akumulatoru blokiem un lādētājiem.

- Atsevišķa akumulatoru bloka(-u) uzlāde (E7 att.)

**PIEZĪME!** Lai uzzinātu, kā pareizi veikt uzlādi, izlasiet attiecīgā akumulatora un lādētāja rokasgrāmatu.

- Akumulatoru bloku uzlāde caur uzlādes pieslēgvietu (E8-E10 att.)

E10-1	Putekļu aizsargvāciņš	E10-2	Uzlādes pieslēgvietā
-------	-----------------------	-------	----------------------

## DROŠĪBAS BLOKĒŠANAS SISTĒMAS PĀRBAUDE

- Lai pārbaudītu bloka lāpstiņu sistēmu (E11-E12 att.)
- Lai pārbaudītu piedziņas sistēmu (E13-E14 att.)

Ja pļaušanas bloka asmeņu sistēma un/vai piedziņas sistēma neapstājas, operatoram atrodoties sēdekļī, un ja cēloni nevar noteikt pēc tam, kad ir apstiprināts, ka sēdekļa kontaktdakša ir kārtīgi iesprausta kontaktligzdā, nekavējoties sazinieties ar savu EGO klientu apkalpošanas centru.

## KONTROLSARAKSTS PIRMS PĻAUJMAŠĪNAS LIETOŠANAS

- Pārliedzieties, vai darba zonā neatrodas bērni, citi klātesošie un mājdzīvnieki.
- Attīriet darba zonu no jebkādiem priekšmetiem, kurus pļāvēja asmeņi var atsviest.
- Notīriet grūžus no pļāvēja.
- Pārbaudiet, vai nav atskrūvējies kāds stiprinājums.
- Pārbaudiet, vai visi aizsargi atrodas savās vietās un darbojas pareizi.
- Vizuāli pārbaudiet, vai riepas nav tukšas.
- Pārbaudiet bremžu darbību.
- Noregulējiet bloka augstumu nepieciešamajā pļaušanas pozīcijā, kas ir vispiemērotākā zālienam, un attiecīgi noregulējiet aizsargriteņus.
- Noregulējiet sēdekļa stāvokli un pārbaudiet, vai var aizsniegt abus pedāļus.
- Ja nepieciešams, noregulējiet stūri vēlamajā pozīcijā.
- Pārbaudiet akumulatora uzlādes līmeni.
- Pārbaudiet drošības bloķēšanas sistēmu.

## ZĀLES PĻĀVĒJA IEDARBINĀŠANA (E15 - E16 att.)

**⚠ BRĪDINĀJUMS!** Izvairieties no pēkšņas pļāvēja iedarbināšanas, apturēšanas un straujiem pagriezieniem, un nebrauciet ar pārāk lielu ātrumu, it īpaši, ja mēcāties darbināt pļāvēju pirmo reizi. Zāles pļāvējs var ātri pagriezties, kā rezultātā jūs varat zaudēt vadību un gūt

nopietnas traumas un/vai pļāvēja bojājumus.

**⚠ BRĪDINĀJUMS!** Pirms zāles pļāvēja iedarbināšanas pārbaudiet un pārliedzieties, vai asmeņi 5 sekunžu laikā tiek nobloķēti, nospiežot jūgvārpstas slēdzi uz leju. Ja asmeņi neapstājas, neizmantojiet pļāvēju un nekavējoties sazinieties ar EGO klientu servisu.

**PIEZĪME!** Apskatiet E17 un E18 attēlu, lai pārslēgtu zemāko braukšanas ātrumu un STANDARTA braukšanas režīmu, kamēr jūs pilnībā nebūsit apguvis pļāvēja izmantošanas iemaņas jebkurā situācijā.

Zāles pļāvējs saglabās un, atkārtoti iedarbinot, izmantos iepriekš saglabāto braukšanas režīmu, braukšanas ātrumu un stūres kalibrāciju.

## BRAUKŠANAS REŽĪMA REGULĒŠANA (E17 att.)

- KONTROLES REŽĪMS:** Zemāks paātrinājums, mazāk jutīga vadāmība un neliels pagrieziena ātrums, lai pasargātu zāli un jaunos lietotājus.
- STANDARTA REŽĪMS:** Lieliski piemērots ikdienas lietošanai.
- SPORTA REŽĪMS:** Lielāks paātrinājums, precīza vadāmība un straujš pagrieziens, lai palielinātu pļaušanas efektivitāti, paredzēts pļaušanas entuziastiem.

**PIEZĪME!** Braukšanas režīmu braukšanas laikā nevar mainīt. Šī funkcija tiks aktivizēta tikai tad, kad būs apturēti pļāvēja riteņi.

## Braukšanas ātruma regulēšana (E18 att.)

**PIEZĪME!** Kad pļāvējam ir ieslēgts „TURBO” režīms, nospiediet „-”, un braukšanas ātrums atgriezīsies iepriekšējā režīmā.

## Asmeņu griešanās ātruma regulēšana (E19 att.)

### LED apgaismojums

- Priekšējos, sānu un aizmugurējos lukturus regulē ar LED apgaismojuma slēdzi.
- Braukšanas laikā gaismām vienmēr ir jādeg.
- Ja, braucot atpakaļgaitā, aizmugurējie lukturi būs izslēgti, tie sāks mirgot, lai brīdinātu apkārtējos; ja aizmugurējie lukturi būs ieslēgti, tie paliks ieslēgti.
- Ja pļāvējs automātiski izslēdzas pēc noteikta bezdarbības laika perioda, izslēdzas arī visas gaismas.

## USB ports

**PIEZĪME!** USB ports nodrošina 5 voltu līdzstrāvas uzlādes jaudu kopā ar 1,5 ampēriem, un aktivizējas tikai tad, kad tiek iedarbināts plāvējs

## ZĀLES PĻĀVĒJA APTURĒŠANA (E20 att.)

**PIEZĪME!** Zāles plāvējs automātiski izslēgsies pēc vairāk nekā 60 minūšu ilgas neaktivitātes.

### Ārkārtas darbības režīms

Kad akumulatora uzlādes līmenis kļūst kritiski zems, zāles plāvējs pāriet ārkārtas darbības režīmā, lai saglabātu pietiekami daudz enerģijas, lai atgrieztos uzlādes zonā.

- Asmeņi pāriet uz zemo griešanās ātrumu, ar kuru var nopļaut tikai ļoti nelielu daudzumu zāles. Saskaroties ar garu un blīvu zāli, asmeņi pārstāj griezties. Periodiski atskanēs (pīkstēs) skaņas indikators.
- Zāles plāvēja statusa indikators ik sekundi iemirgojas sarkanā krāsā, un mirgo gan zemas strāvas indikators, gan akumulatora grafiskais apzīmējums uz degvielas mēritāja.

Operatoram ir jārikojas šādi:

- Nospiediet jūgvārpstas slēdzi, lai izslēgtu asmens motoru. Kad asmens būs apstājies, pārstās skanēt skaņas indikators.
- Pārtrauciet darbu un pēc iespējas ātrāk dodieties uz uzlādes zonu. Maksimālais attālums, ko plāvējs var nobraukt, ir 1000 m.

LV

Kad akumulators būs gandrīz izlādējies, ik pēc pussekundes iemirgosies katra aizņemtā akumulatora nodalījuma ikona un zemas strāvas indikators. Plāvējs nekavējoties pārstās darboties. Operatoram būs jāpārvieta zāles plāvējs uz uzlādes zonu, lai to uzlādētu.

**PIEZĪME!** Ja ir nepieciešama manuāla stumšana, vispirms atvienojiet zāles plāvēja akumulatorus un atlaidiet stāvbremzes pedāli no bremzēšanas stāvokļa.

## BRAUKŠANAS AR ZĀLES PĻĀVĒJU (E21 att.)

**▲ BĪSTAMI!** Ieturiet distanci vismaz divu plaušanas platumu attālumā no grāvjiem, nomalēm vai ūdens. Priekšējie riteņi var turpināt griezties arī tad, kad plāvējs ir apturēts, un ar ieslēgtu bremzi, kā rezultātā plāvējs var pārrīpot pāri malai vai iebraukt ūdenī, radot nāves vai smagu miesas bojājumu bīstamību.

**▲ BRĪDINĀJUMS!** Pirms braukšanas atpakaļgaitā apskatieties, kas atrodas aiz plāvēja. NEPĻAUJIET pretējā virzienā, ja vien tas nav absolūti nepieciešams. Pirms braukšanas atpakaļgaitā vai tās laikā, vienmēr vispirms paskatieties uz leju un pēc tam atpakaļ, lai pārliecinātos, ka plaušanas zonā nav ienākuši bērni, citi klātesošie vai mājdzīvnieki. Neaizmirstiet, ka pat mirklis neuzmanības var izraisīt nāves iestāšanos vai nopietnu traumu.

**▲ BRĪDINĀJUMS!** Neizmantojiet šo plaujmašīnu uz koplietošanas ceļiem.

**▲ BRĪDINĀJUMS!** Ja plāvējā radies aizsprostojums vai jūs ar to atsītiāties pret kādu svešķermeni, vispirms apturiet motoru un izņemiet akumulatorus. Izīriet zāles atgriezumus, lapas, netīrumus un citus sakrājušos grūžus; pirms vēlreiz iedarbināt plāvēju un uzsākat ar to braukt rūpīgi pārbaudiet, vai plāvējam nav radušies bojājumi, un, ja nepieciešams, veiciet remontdarbus.

## KRUĪZA KONTROLES (CCS) IZMANTOŠANA

### CCS aktivizēšana braukšanas laikā (E22 att.)

**PIEZĪME!** LCD ekrānā redzamais braukšanas ātruma līmenis var precīzi neatspoguļot plāvēja faktisko braukšanas ātrumu, braucot kruīza kontroles režīmā. Nospiediet vienu no ātruma regulēšanas pogām (“←” vai “→”), lai “atsvaidzinātu” un pielāgotu braukšanas ātruma līmeni LCD ekrānā.

**Lai izietu no CCS un apturētu zāles plāvēju, varat izvēlēties vienu no četriem veidiem:**

- Nedaudz nospiediet akseleratora pedāli un pēc tam atlaidiet.
- Pavelciet kreiso/labo lāpstiņu(-s) uz operatora pusi un pēc tam atlaidiet.
- Nospiediet stāvbremzes pedāli.
- Nospiediet CCS pogu.

**PIEZĪME!** Nospiediet akceleratora pedāli līdz galam, lai sasniegtu pašreizējo CCS braukšanas ātrumu, un pēc tam turpiniet spiest. CCS funkcija apstāsies, un zāles plāvējs turpinās braukt ar pašreizējo ātrumu.

## APKOPE

**▲ BRĪDINĀJUMS!** Vienmēr valkājiet aizsargbrilles ar sānu aizsargiem. Pretējā gadījumā acīs var trāpīt svešķermeņi un radīt smagas traumas.

**▲ BRĪDINĀJUMS!** Vienmēr sargājiet rokas, valkājot izturīgus cimdus vai aptinot asmens griežmalas ar lupatiņu vai citu materiālu, ja zāles plāvēja asmenim veiksiet apkopes darbus. Vienmēr izņemiet drošības atslēgu un akumulatoru blokus, ja zāles plāvēju pārvedīsiet uz citu vietu vai veiksiet apkopi.

Apkopes un servisa intervāls	Apkopes procedūra
Pirms katras lietošanas reizes vai reizi dienā	<ul style="list-style-type: none"> <li>▪ Drošības bloķēšanas sistēmas pārbaude.</li> <li>▪ Vizuāli pārbaudiet, vai riepas nav tukšas.</li> <li>▪ Pārbaudiet asmeņus.</li> <li>▪ Pārbaudiet visu zāles plāvēju, vai tam nav kādu bojātu, trūkstošu vai atskrūvējušos daļu, piemēram, sānu izlādes tekne, skrūves, uzgriežņi, bultskrūves, vāciņi utt., un pārliedzinieties, vai visi aizsargi atrodas savās vietās un darbojas pareizi.</li> <li>▪ Pārbaudiet un pārliedzinieties, vai akceleratora pedāli var pareizi nospriest un atlaist.</li> <li>▪ Pārbaudiet stūres rata amortizatoru. Stūres ratam ir jāgriežas ar noteiktu pretestību.</li> </ul>
Pēc katras lietošanas reizes	<ul style="list-style-type: none"> <li>▪ Iztīriet pļaušanas bloku.</li> </ul>
Ik pēc 25 darba stundām	<ul style="list-style-type: none"> <li>▪ Pārbaudiet spiedienu riepās.</li> </ul>

Ik pēc 100 darba stundām	<ul style="list-style-type: none"> <li>▪ Pārbaudiet aizmugurējos riteņus un pārliedzinieties, vai visi uzgriežņi ir pieskrūvēti ar ieteicamo griezes momentu.</li> </ul>
Ik pēc 200 darba stundām	<ul style="list-style-type: none"> <li>▪ Pārbaudiet priekšējos riteņus un pārliedzinieties, vai tie brīvi griežas.</li> </ul>
Pirms uzglabāšanas	<ul style="list-style-type: none"> <li>▪ Izņemiet no zāles plāvēja akumulatorus.</li> <li>▪ Izņemiet no plāvēja drošības atslēgu.</li> <li>▪ Veiciet visas iepriekš minētās apkopes procedūras un rūpīgi iztīriet plāvēju.</li> <li>▪ Pārbaudiet visu plāvēju, vai tam nav kādu bojātu, trūkstošu vai atskrūvējušos daļu, un nomainiet vai pieskrūvējiet attiecīgās daļas pirms novietošanas uzglabāšanā.</li> </ul>
Reizi gadā	<ul style="list-style-type: none"> <li>▪ Pārbaudiet stāvbremzes pedāli. Izņemiet akumulatoru no zāles plāvēja un novietojiet stāvbremzes pedāli bremsēšanas stāvoklī. Pastumiet plāvēju uz priekšu manuāli, lai redzētu, vai to var pārvietot. Ja tas pārvietojas, nogādājiet to pie kvalificēta servisa speciālista.</li> </ul>

LV

## VISPĀRĒJĀ APKOPE

**Pļāvēja korpusa tīrīšana (F1 – F2 att.)**

**Pļaujmašīnas korpusa tīrīšanai izmantojiet mazgāšanas pieslēgvietu (F3 - F4 att.)**

F2-1	Mazgāšanas ports	F2-2	Mazgāšanas porta ātrais savienotājs
F2-3	Dārza šļūtene		

**PIEZĪME!** Pabeidzot tīrīšanu, pilnībā izslēdziet zāles plāvēju un pēc tam noņemiet dārza šļūteni un ātro savienotāju.

## PĻAUŠANAS BLOKA UN GRIEZĒJASMEŅU APKOPE

**SAGATAVOŠANA (G1 att.)**



### Pļaušanas bloka noņemšana (G2 - G3 att.)

G2-1	Motora kabelis	G2-2	Balstiekārtas savienojums
G2-3	Šķelttapa		

**PIEZĪME!** Pirms pļaušanas bloka noņemšanas atvienojiet visus motora kabelus un izņemiet šķelttapas.

### Griezējasmēņu nomaiņa (G4 – G6 att.)

G4-1	Stabilizators	G5-1	Bultskrūve
G5-2	Paplāksne	G5-3	Asmens
G5-4	Atloks	G5-5	Motora vārpsta

### Pļaušanas bloka izlīdzināšana

#### a. Kad nepieciešams izlīdzināt (G7 - G9 att.)

#### b. Pirms izlīdzināšanas

- Spiediena pārbaude aukstās rieņās (G10 att.)
- Pārbaudiet griezējasmēņus. Ja nepieciešams, noņemiet un nomainiet nodilušos, saplaisājušos un/ vai saliektos asmeņus.

#### c. Sagatavošana izlīdzināšanai (G11. att.)

#### d. Kā izlīdzināt

- Regulēšana no vienas puses uz otru (G12 att.)
- Regulēšana no priekšas uz aizmuguri (G13 att.)

### ZĀLES PĻĀVĒJA IZSEKOŠANAS SISTĒMAS KALIBRĒŠANA (H1 – H2 att.)

LV

**PIEZĪME!** Sākot kalibrēšanu, kā arī pēc tās pabeigšanas, vienreiz atskanēs pīkstēšanas indikators.

**PIEZĪME!** Kalibrēšana, kas pabeigta vienam no braukšanas režīmiem ("KONTROLE", "STANDARTS", "SPORTS"), iespējams, nav pieejama pārējiem diviem režīmiem. Kalibrējiet stūri katrā braukšanas režīmā neatkarīgi pēc vajadzības.

### ZĀLES PĻĀVĒJA ATIESTATĪŠANA SĀKOTNĒJĀ RŪPNĪCAS IESTATĪJUMĀ (I att.)

**PIEZĪME!** Uzsākot atiestatīšanu, kā arī pēc tās pabeigšanas, vienreiz atskanēs pīkstēšanas indikators.

**PIEZĪME!** Pēc veiksmīgi pabeigtas atiestatīšanas tālāk norādītie iestatījumi tiks atjaunoti uz sākotnējiem rūpnīcas iestatījumiem:

- braukšanas režīms
- braukšanas ātrums
- stūres rata kalibrēšana

## UZGLABĀŠANA UN TRANSPORTĒŠANA

### ZĀLES PĻĀVĒJA TRANSPORTĒŠANA (J1 – J5 att.)

**PIEZĪME!** Lai novērstu pārvietošanas transportēšanas laikā, nostipriniet pļāvēju pēc vajadzības, izmantojot siksnas vai kabelus.

### UZGLABĀŠANA (K1 - K2 attēls)

**PIEZĪME!** Izņemiet akumulatoru blokus un uzglabājiet tos, ievērojot atbilstošajās rokasgrāmatās sniegto informāciju.

Pirms uzglabāšanas iztīriet un pārbaudiet pļāvēju, izlasiet sadaļas „PĻĀVĒJA TĪRĪŠANA” un „IETEICAMĀIS APKOPES GRAFIKS(-I)”.

### Apkārtējās vides aizsardzība




Direktīva par elektrisko un elektronisko iekārtu atkritumiem (EEIA) Neutilizējiet elektrisko aprīkojumu, izlietoto akumulatoru un lādētāju sadzīves atkritumos. Nogādājiet šo produktu uz pilnvarotu pārstrādes punktu un sagatavojiet atkritumu šķirošanai. Elektriskos instrumentus jānogādā videi nekaitīgā pārstrādes rūpnīcā.

## PROBLĒMU MEKLĒŠANA UN NOVĒRŠANA

PROBLĒMA	CĒLONIS	RISINĀJUMS
Nospiežot akseleratora pedāli, nedarbojas nulles pagrieziena braucamais zāles plāvējs.	<ul style="list-style-type: none"> <li>▪ Kopējā ievietoto akumulatoru Ah vērtība neatbilst prasībām.</li> </ul>	<ul style="list-style-type: none"> <li>▪ Lai iedarbinātu šo zāles plāvēju, izmantojiet pietiekami daudz EGO akumulatoru, ievērojot norādījumus, kas sniegti šīs rokasgrāmatas sadaļā <b>“AKUMULATORA BLOKU IEVIETOŠANA/IZŅEMŠANA”</b>.</li> </ul>
	<ul style="list-style-type: none"> <li>▪ Stāvbremzes pedālis ir ieslēgts bremzēšanas stāvoklī.</li> </ul>	<ul style="list-style-type: none"> <li>▪ Nospiediet stāvbremzes pedāli līdz galam, lai to atbrīvotu no bremzēšanas stāvokļa.</li> </ul>
	<ul style="list-style-type: none"> <li>▪ Gan kreisā, gan arī labā lāpstiņa netika īsi pavilkta uz operatora pusi, lai zāles plāvēja statusa indikators, iedarbinot plāvēju, degtu zaļā krāsā.</li> </ul>	<ul style="list-style-type: none"> <li>▪ Pavelciet GAN kreiso, gan arī labo lāpstiņu uz operatora pusi vienlaikus un pēc tam atlaidiet. Plāvēja statusa indikators mirgos zaļā krāsā, kas nozīmē, ka plāvējs ir gatavs palaišanai.</li> </ul>
	<ul style="list-style-type: none"> <li>▪ Operators neatrodas uz sēdekļa.</li> </ul>	<ul style="list-style-type: none"> <li>▪ Plāvēju var iedarbināt tikai tad, kad operators ir pareizi apsēdies uz sēdekļa.</li> </ul>
	<ul style="list-style-type: none"> <li>▪ Sēdekļa slēdzis nav pareizi pievienots.</li> </ul>	<ul style="list-style-type: none"> <li>▪ Lai pārlicinātos, ka kabeļa spraudnis ir pareizi iesprausts ligzdā sēdekļa apakšā, izņemiet akumulatoru no plāvēja un izjauciet sēdekli apgrieztā secībā, kā tas norādīts šīs rokasgrāmatas sadaļā <b>“SĒDEKĻA UZSTĀDĪŠANA”</b>. Uzstādiet sēdekli atpakaļ un izpildiet norādījumus sadaļā <b>„ZĀLES PLĀVĒJA IEDARBINĀŠANA”</b>, lai pārbaudītu, vai plāvēju var iedarbināt. Ja plāvēju nevar iedarbināt, sazinieties ar kvalificētu servisa tehniķi, kas veiks remontdarbus.</li> </ul>
	<ul style="list-style-type: none"> <li>▪ Īpaši aukstā laikā braukšanas funkcija var nedarboties pietiekami labi zemās temperatūras aizsardzības dēļ.</li> </ul>	<ul style="list-style-type: none"> <li>▪ Vienmēr uzglabājiet plāvēju un akumulatoru siltā vidē. Kad plāvējs ir uzsilis, vēlreiz iedarbiniet. Nemēģiniet to atkārtot aukstā laikā, jo tas var sabojāt plāvēju.</li> </ul>
	<ul style="list-style-type: none"> <li>▪ Akseleratora pedāļa pārvietošanās trajektorija ir aizsērējusi ar gružiem.</li> </ul>	<ul style="list-style-type: none"> <li>▪ Pārbaudiet un iztīriet gružus.</li> </ul>
	<ul style="list-style-type: none"> <li>▪ Akseleratora pedāļa mehānisko vai elektronisko komponentu kļūme.</li> </ul>	<ul style="list-style-type: none"> <li>▪ Sazinieties ar kvalificētu servisa tehniķi, kas veiks remontdarbus.</li> </ul>

PROBLĒMA	CĒLONIS	RISINĀJUMS
Nulles pagrieziena braucamais zāles pļāvējs pēkšņi apstājas.	<ul style="list-style-type: none"> <li>Kreiso/labo lāpstīņu nepieciešams "atīstatīt".</li> </ul>	<ul style="list-style-type: none"> <li>Pavelciet kreiso/labo lāpstīņu virzienā uz operatoru un atlaidiet. Ja statusa indikators deg zaļā krāsā, tad tas nozīmē, ka pļāvējs ir gatavs braukšanai.</li> </ul>
	<ul style="list-style-type: none"> <li>Akseleratora pedāļa elektronisko komponentu kļūme.</li> </ul>	<ul style="list-style-type: none"> <li>Sazinieties ar kvalificētu servisa tehniķi, kas veiks remontdarbus.</li> </ul>
	<ul style="list-style-type: none"> <li>Braucot pa nelīdzenu reljefu, atvienojās sēdekļa drošības bloķēšanas sistēma.</li> </ul>	<ul style="list-style-type: none"> <li>Lai pārliecinātos, ka kabeļa spraudnis ir pareizi iesprausts ligzdā sēdekļa apakšā, izņemiet akumulatoru no pļāvēja un izjauciet sēdekli apgrieztā secībā, kā tas norādīts šīs rokasgrāmatas sadaļā <b>"SĒDEKĻA UZSTĀDĪŠANA"</b>. Uzstādiet sēdekli atpakaļ un izpildiet norādījumus sadaļā <b>"ZĀLES PĻĀVĒJA IEDARBINĀŠANA"</b>, lai pārbaudītu, vai pļāvēju var iedarbināt. Ja pļāvēju nevar iedarbināt, sazinieties ar kvalificētu servisa tehniķi, kas veiks remontdarbus.</li> </ul>
	<ul style="list-style-type: none"> <li>Operatora svars nav vienmērīgi sadalīts uz sēdekļa. Operatora svaram uz sēdekļa ir jābūt vismaz 20 kg, lai sēdekļa drošības bloķēšanas sistēma darbotos pareizi</li> </ul>	<ul style="list-style-type: none"> <li>Apsēdieties pareizi uz sēdekļa, pavelciet kreiso/labo vai abas lāpstīņas virzienā pret operatoru un atlaidiet, tad pļāvējs būs gatavs braukšanai.</li> </ul>
	<ul style="list-style-type: none"> <li>Nospiests stāvbremzes pedālis braukšanas ātruma samazināšanas nolūkā. Kad stāvbremzes pedālis ir nospiests, bet ne stāvēšanas pozīcijā, zāles pļāvējs apstājas.</li> </ul>	<ul style="list-style-type: none"> <li>Ja nepieciešams, atvienojiet un pēc tam vēlreiz pievienojiet akumulatoru.</li> </ul>
Braukšanas režīmu braukšanas laikā nevar mainīt.	<ul style="list-style-type: none"> <li>Šī ir nulles pagrieziena braucamā pļāvēja iezīme drošai braukšanai.</li> </ul>	<ul style="list-style-type: none"> <li>Izpildiet sadaļā <b>"PĻĀVĒJA IEDARBINĀŠANA"</b> sniegtos norādījumus, lai vēlreiz iedarbinātu pļāvēju.</li> </ul>
	<ul style="list-style-type: none"> <li>Šī funkcija tiks aktivizēta tikai tad, kad būs apturēti pļāvēja riteņi.</li> </ul>	<ul style="list-style-type: none"> <li>Šī funkcija tiks aktivizēta tikai tad, kad būs apturēti pļāvēja riteņi.</li> </ul>



PROBLĒMA	CĒLONIS	RISINĀJUMS
<p>Nulles pagriezienu braucamais zāles pļāvējs nespēj aktivizēt asmeņus pēc jūgvārpstas slēdža aktivizēšanas.</p>  <p>Mirgo jūgvārpstas slēdža ikona</p>	<ul style="list-style-type: none"> <li>▪ Kopējā ievietoto akumulatoru Ah vērtība neatbilst prasībām.</li> </ul>	<ul style="list-style-type: none"> <li>▪ Lai iedarbinātu šo zāles pļāvēju, izmantojiet pietiekami daudz EGO akumulatoru, ievērojot norādījumus, kas sniegti šīs rokasgrāmatas sadaļā <b>“AKUMULATORA BLOKU IEVIETOŠANA/IZŅEMŠANA”</b>.</li> </ul>
	<ul style="list-style-type: none"> <li>▪ Kad zāles pļāvējs pēdējo reizi tika izslēgts, jūgvārpstas slēdzis netika nospiests.</li> </ul>	<ul style="list-style-type: none"> <li>▪ Nospiediet jūgvārpstas slēdzi un vēlreiz ieslēdziet asmeņu motorus.</li> </ul>
	<ul style="list-style-type: none"> <li>▪ Zāles pļāvējs tiek pārslogots brīdī, kad sāk griezties asmeņi, kā rezultātā aktivizējas motora paš aizsardzība.</li> </ul>	<ul style="list-style-type: none"> <li>▪ Vispirms sāciet pļaut zāli ar zemāku asmeņu apgrieziena skaitu un, tiklīdz asmeņi sāk pietiekami labi griezties, paātriniet ātrumu pēc nepieciešamības.</li> </ul>
	<ul style="list-style-type: none"> <li>▪ Īpaši aukstā laikā asmeņu motors var nedarboties pietiekami labi zemās temperatūras aizsardzības dēļ.</li> </ul>	<ul style="list-style-type: none"> <li>▪ Vienmēr uzglabājiet pļāvēju un akumulatoru siltā vidē. Kad pļāvējs ir uzsilis, vēlreiz iedarbiniet. Nemēģiniet to atkārtot aukstā laikā, jo tas var sabojāt pļāvēju.</li> </ul>
	<ul style="list-style-type: none"> <li>▪ Asmeņi saskaras ar deformēto pļaušanas bloku.</li> </ul>	<ul style="list-style-type: none"> <li>▪ Sazinieties ar EGO klientu apkalpošanas centru.</li> </ul>
	<ul style="list-style-type: none"> <li>▪ Pļāvējs brauc ar <b>“TRAVEL”</b> (BRAUKŠANAS) ātrumu.</li> </ul>	<ul style="list-style-type: none"> <li>▪ Kad zāles pļāvējs brauc ar <b>“TRAVEL”</b> (BRAUKŠANAS) ātrumu, asmeņu motori automātiski apstājas.</li> </ul>

PROBLĒMA	CĒLONIS	RISINĀJUMS
Zāles pļaušanas laikā pārstāj darboties asmeņi.	<ul style="list-style-type: none"> <li>Zāles pļāvēja pārslodze.</li> </ul>	<ul style="list-style-type: none"> <li>Lai samazinātu pļāvēja slodzi, paceliet bloka pļaušanas augstumu vai samaziniet braukšanas ātrumu.</li> </ul>
	<ul style="list-style-type: none"> <li>Pļaušanas bloks ir aizsērējis ar zāli un gružiem.</li> </ul>	<ul style="list-style-type: none"> <li>Notīriet pļāvēju un pārļiecinieties, vai asmeņi var brīvi kustēties.</li> </ul>
	<ul style="list-style-type: none"> <li>Pārkarsis zāles pļāvējs.</li> </ul>	<ul style="list-style-type: none"> <li>Samaziniet pļāvējam slodzi, paaugstinot bloka pļaušanas augstumu vai palēninot asmeņu/ braukšanas ātrumu, un ļaujiet pļāvējam atdzist.</li> </ul>
	<ul style="list-style-type: none"> <li>Zāles pļāvēja akumulatoru nodalījumā esošais akumulators(-i) ir pārkarsis(-uši), kā rezultātā visu ievietoto akumulatoru Ah jauda neatbilst prasībām.</li> </ul>	<ol style="list-style-type: none"> <li>Zāles pļāvējs var turpināt darbu, ja kopējā akumulatoru Ah jauda, izņemot pārkarsētu akumulatoru, atbilst prasībām. Tiklīdz pārkarsušais akumulators atgriezīsies normālā temperatūrā, tas nekavējoties sāks pļāvēja uzlādi.</li> </ol>
		<ol style="list-style-type: none"> <li>Ja kopējā akumulatoru Ah jauda neatbilst prasībām, zāles pļāvējs nedarbosies, kamēr brīvajos akumulatoru nodalījumos nebūs ievietots vairāk akumulatoru.</li> </ol>
		<ol style="list-style-type: none"> <li>Samaziniet pļāvējam slodzi, paaugstinot bloka pļaušanas augstumu vai palēninot pļaušanas ātrumu, atsākot darbu.</li> </ol>
	<ul style="list-style-type: none"> <li>Pļāvējs pārgājis ārkārtas darbības režīmā</li> </ul>	<ul style="list-style-type: none"> <li>Kad pļāvējs ir pārgājis ārkārtas darbības režīmā, asmeņi tiek automātiski pārslēgti zemā rotācijas ātrumā. Operatoram ir jāpārtrauc darbs, jāapstājas un pēc iespējas ātrāk jādodas uz akumulatora uzlādes zonu.</li> </ul>
	<ul style="list-style-type: none"> <li>Pļāvējs ir ietriecies svešķermenī, kā rezultātā aktivizējusies motora pašaizsardzības funkcija.</li> </ul>	<ul style="list-style-type: none"> <li>Nospiediet jūgvārpstas slēdzi un vēlreiz ieslēdziet asmeņu motorus.</li> </ul>
<ul style="list-style-type: none"> <li>Zāles pļāvēja ātrums noregulēts režīmā „TRAVEL” (BRAUKŠANA).</li> </ul>	<ul style="list-style-type: none"> <li>Ja zāles pļāvēja ātrums ir režīmā „TRAVEL” (BRAUKŠANA), asmens motori automātiski apstājas.</li> </ul>	

PROBLĒMA	CĒLONIS	RISINĀJUMS
Turpina skanēt audio indikators.	<ul style="list-style-type: none"> <li>Plāvējs pārgājis ārkārtas darbības režīmā, un asmeņi nav izslēgti.</li> </ul>	<ul style="list-style-type: none"> <li>Nospiediet jūgvārpstas slēdzi, lai izslēgtu asmeņu motorus. Kad asmeņu motori ir izslēgti, skaņas indikators pārtrauc skanēt.</li> </ul>
	<ul style="list-style-type: none"> <li>Plāvējs pārtraucis braukt pa nogāzi, operators ir izkāpis no sēdekļa, nospiežot stāvbremzes pedāli bremsēšanas stāvoklī.</li> </ul>	<ul style="list-style-type: none"> <li>Pirms atstājat plāvēju slīpumā, ieslēdziet stāvbremzes pedāli bremsēšanas stāvoklī.</li> </ul>
Izslēgta plāvēja laikā joprojām deg akumulatora indikatori.	<ul style="list-style-type: none"> <li>Ja zāles plāvējs tiek izslēgts, atrodoties uz līdzenas zemes, un no plāvēja netiek izņemti akumulatori, akumulatora indikatori, iedarbināšanas/ apturēšanas poga un CCS poga kādu laiku paliks izgaismota.</li> </ul>	<ul style="list-style-type: none"> <li>Nekas cits nav jādara. Kad zāles plāvējs pēc noteikta laika būs izslēdzies, nodzīsīs akumulatora indikatori. Informāciju par noteiktajiem laikiem skatiet sadaļā <b>“ZĀLES PĻĀVĒJA APTURĒŠANA”</b>.</li> </ul>
	<ul style="list-style-type: none"> <li>Ja zāles plāvējs tiek izslēgts slīpumā, neieslēdzot stāvbremzi bremsēšanas stāvoklī, akumulatora indikatori degs tik ilgi, kamēr nebūs izlādējies akumulators. Vienlaikus turpina pīkstēt skaņas indikators.</li> </ul>	<ul style="list-style-type: none"> <li>Pirms atstājat plāvēju slīpumā, ieslēdziet stāvbremzes pedāli bremsēšanas stāvoklī.</li> </ul>
LCD ekrāns neizgaismojas ar ieslēgtām ikonām.	<ul style="list-style-type: none"> <li>Ieslēgšanas/izslēgšanas poga tika nospiesta un pietiekami ilgi.</li> </ul>	<ul style="list-style-type: none"> <li>LCD ekrānā „Degvielas mērītājs” būs redzams tikai tad, ja īslaicīgi tiks nospiesta poga „Start/Stop” (Palaist/Apturēt).</li> </ul>
		<ul style="list-style-type: none"> <li>LCD ekrāns ieslēgsies pēc pogas „Start/Stop” (Iedarbināt/Apturēt) nospiešanas un pieturēšanas pietiekami ilgu laiku.</li> </ul>
Plāvējs pļauj nevienmērīgi, ir ievērojama augstuma starpība priekšā un aizmugurē.	<ul style="list-style-type: none"> <li>Asmeņi kļuvuši neasi.</li> </ul>	<ul style="list-style-type: none"> <li>Uzasiniet vai nomainiet griezējasmēni atbilstoši norādēm šajā rokasgrāmatā.</li> </ul>
	<ul style="list-style-type: none"> <li>Asmeņi ir saliekti.</li> </ul>	<ul style="list-style-type: none"> <li>Nomainiet saliekto griešanas asmeni, ievērojot norādījumus sadaļā <b>„GRIEZĒJASMEŅU NOMAIŅA”</b>.</li> </ul>
	<ul style="list-style-type: none"> <li>Pļaušanas bloks nav izlīdzināts, kā rezultātā atšķiras pļaušanas asmeņu augstums.</li> </ul>	<ul style="list-style-type: none"> <li>Izlīdziniet pļaušanas bloku, ievērojot norādījumus sadaļā <b>„PĻAUŠANAS BLOKA IZLĪDZINĀŠANA”</b>.</li> </ul>

PROBLĒMA	CĒLONIS	RISINĀJUMS
Faktiskais zāles pļaušanas augstums nav saskaņots ar norādīto augstumu.	<ul style="list-style-type: none"> <li>Pļaušanas bloka uzgriežņi ir atskrūvējušies uz balstiekārtas savienojuma</li> <li>Pļaušanas bloks ir bojāts vai stipri nolietojies.</li> </ul>	<ul style="list-style-type: none"> <li>Izpildiet norādījumus sadaļā „<b>PĻAUŠANAS BLOKA IZLĪDZINĀŠANA</b>”, lai pareizi noregulētu pļaušanas bloku no priekšpuses uz aizmuguri, un pēc tam stingri pievelciet visus balstiekārtas savienojuma uzgriežņus.</li> <li>Lai nomainītu pļaušanas bloku, izpildiet norādījumus sadaļā „<b>PĻAUŠANAS BLOKA NOŅEMŠANA</b>”.</li> </ul>
Zāles pļāvējs nemulčē pareizi.	<ul style="list-style-type: none"> <li>Slapjā, nopļautā zāle līp klāt zem pļaušanas bloka.</li> <li>Pļāvējs ir iestatīts tā, lai tas ar vienu piegājienu nopļautu daudz zāles.</li> </ul>	<ul style="list-style-type: none"> <li>Pagaidiet, kamēr nožūst zāle, un tikai tad sāciet pļaut.</li> <li>Paceliet bloka pļaušanas augstumu.</li> </ul>
Pārāk liela vibrācija.	<ul style="list-style-type: none"> <li>Atskrūvējušies griezējasmeņi.</li> </ul>	<ul style="list-style-type: none"> <li>Pēc tam pievelciet asmens bultskrūvi līdz ieteiktajam griezes momentam.</li> </ul>
	<ul style="list-style-type: none"> <li>Asmeņi ir saliekti.</li> </ul>	<ul style="list-style-type: none"> <li>Nomainiet saliekto griešanas asmeni, ievērojot norādījumus sadaļā „<b>GRIEZĒJASMEŅU NOMAĪNA</b>”.</li> </ul>
	<ul style="list-style-type: none"> <li>Pļaušanas bloks nav izlīdzināts</li> </ul>	<ul style="list-style-type: none"> <li>Izlīdziniet pļaušanas bloku, ievērojot norādījumus sadaļā „<b>PĻAUŠANAS BLOKA IZLĪDZINĀŠANA</b>”.</li> </ul>
	<ul style="list-style-type: none"> <li>Pļaušanas bloka uzgriežņi ir atskrūvējušies uz balstiekārtas savienojuma.</li> </ul>	<ul style="list-style-type: none"> <li>Pievelciet balstiekārtas savienojuma uzgriežņus.</li> </ul>
	<ul style="list-style-type: none"> <li>Pļāvējs ir iestatīts tā, lai tas ar vienu piegājienu nopļautu daudz zāles.</li> </ul>	<ul style="list-style-type: none"> <li>Paceliet bloka pļaušanas augstumu.</li> </ul>
Pēc pļaušanas uz zemes paliek zāle vai gruži.	<ul style="list-style-type: none"> <li>Pļāvējs ir iestatīts tā, lai tas ar vienu piegājienu nopļautu daudz zāles, kad zāle ir gara.</li> </ul>	<ul style="list-style-type: none"> <li>Sāciet ar lielu pļaušanas augstumu un pēc tam samaziniet to, līdz tiek sasniegts vēlams pļaušanas rezultāts. Zāle, kas garāka par 152 mm, jāpļauj divas reizes, secīgi samazinot pļaušanas augstumu.</li> </ul>
	<ul style="list-style-type: none"> <li>Zāle ir slapja.</li> </ul>	<ul style="list-style-type: none"> <li>Nepļaujiet mitru zāli, pagaidiet, kamēr zāle nožūst.</li> </ul>
	<ul style="list-style-type: none"> <li>Liels braukšanas ātrums.</li> </ul>	<ul style="list-style-type: none"> <li>Palēniniet braukšanas ātrumu.</li> </ul>
	<ul style="list-style-type: none"> <li>Zems asmens ātrums.</li> </ul>	<ul style="list-style-type: none"> <li>Pakāpeniski palieliniet asmens griešanās ātrumu.</li> </ul>
Īss zāles pļāvēja darbības laiks ar komplektā iekļauto akumulatoru.	<ul style="list-style-type: none"> <li>Zālāja reljefs, zāles apstākļi, pļaušanas augstuma iestatījums, braukšanas ātrums, asmeņu griešanās ātrums utt. lielā mērā ietekmē darbības laiku.</li> </ul>	<ul style="list-style-type: none"> <li>Lai samazinātu pļaušanas slodzi, paaugstiniet bloka pļaušanas augstumu un samaziniet asmens griešanās ātrumu.</li> </ul>

PROBLĒMA	CĒLONIS	RISINĀJUMS
Pļāvējs nebrauc taisni.	<ul style="list-style-type: none"> <li>Atšķirīgs riepu spiediens kreisajam un labajam aizmugurējam ritenim.</li> </ul>	<ul style="list-style-type: none"> <li>Pārbaudiet un noregulējiet gaisa spiedienu abās aizmugurējo riteņu riepās saskaņā ar sadaļu <b>“SPECIFIKĀCIJAS”</b>.</li> </ul>
	<ul style="list-style-type: none"> <li>Atšķirīgs braukšanas ātrums kreisajam un labajam aizmugurējam ritenim.</li> </ul>	<ul style="list-style-type: none"> <li>Kalibrējiet stūres ratu, ievērojot norādījumus, kas sniegti sadaļā <b>„PĻĀVĒJA IZSEKOŠANAS SISTĒMAS KALIBRĒŠANA”</b>.</li> </ul>
Stāvbremzes pedāli nevar atlaist no bremsēšanas stāvokļa vai tas lēnām atlec atpakaļ.	<ul style="list-style-type: none"> <li>Iespējams, stāvbremzes pedālī iekļuvuši gruži vai netīrumi.</li> </ul>	<ul style="list-style-type: none"> <li>Atveriet stāvbremzes pedāļa kārbu, lai rūpīgi iztīrītu kārbu no iekšpuses, un aizveriet to. Vēlreiz ieslēdziet stāvbremzes pedāli, lai redzētu, vai problēma ir atrisināta. Ja pļāvēju nevar iedarbināt, sazinieties ar kvalificētu servisa tehniķi, kas veiks remontdarbus.</li> </ul>
Zāles pļāvēju nevar uzlādēt, izmantojot uzlādes portu, un pļāvēja statusa indikators mirgo sarkanā krāsā.	<ul style="list-style-type: none"> <li>Lādētāja kontaktdakša nav pareizi ievietota pļāvēja uzlādes pieslēgvietā.</li> </ul>	<ul style="list-style-type: none"> <li>Vēlreiz iespraudiet lādētāja kontaktdakšu, lai redzētu, vai pļāvēju var uzlādēt kā parasti.</li> </ul>
	<ul style="list-style-type: none"> <li>Sienas kontaktligzdās nav strāvas.</li> </ul>	<ul style="list-style-type: none"> <li>Nekas cits nav jādara. Pagaidiet, līdz atjaunojas elektrība.</li> </ul>
	<ul style="list-style-type: none"> <li>Lādētāja darbības traucējumi.</li> </ul>	<ul style="list-style-type: none"> <li>Zvaniet EGO klientu apkalpošanas centram, lai veiktu pārbaudi un vajadzības gadījumā veiktu lādētājam remontu.</li> </ul>
	<ul style="list-style-type: none"> <li>Bojāta pļāvēja uzlādes pieslēgvietā.</li> </ul>	<ul style="list-style-type: none"> <li>Sazinieties ar EGO klientu apkalpošanas centru.</li> </ul>
Uzlādes laiks, izmantojot pļāvēja uzlādes portu, ir pārāk ilgs.	<ul style="list-style-type: none"> <li>Uzlādei ar EGO adapteri ACA1000 pāriet ilgs laiks.</li> </ul>	<ul style="list-style-type: none"> <li>Nulles pagrieziena pļāvēja uzlādei izmantojiet EGO lādētāju CHV1600E.</li> </ul>
Akumulatoru nevar pilnībā uzlādēt, izmantojot pļāvēja uzlādes portu.	<ul style="list-style-type: none"> <li>Zāles pļāvēja programmaparatūras kļūda vai lādētāja/akumulatora kļūme.</li> </ul>	<ul style="list-style-type: none"> <li>Atiestatiet lādētāja darbību, atvienojot lādētāju no tīkla un nogaidot vairākas minūtes. Pēc tam iespraudiet lādētāja spraudni barošanas avotā. Ja tas problēmu neatrisina, zvaniet EGO klientu apkalpošanas centram.</li> </ul>
Pēc tīrīšanas pļāvēju nevar iedarbināt.	<ul style="list-style-type: none"> <li>Nepareizi veikta tīrīšana, piemēram, elektriskajos komponentos, LCD ekrānā utt. ir iekļuvis ūdens.</li> </ul>	<ul style="list-style-type: none"> <li>Izpildiet sadaļā <b>„VISPĀRĒJĀ APKOPE”</b> sniegtos norādījumus, lai pareizi notīrītu pļāvēju.</li> </ul>
		<ul style="list-style-type: none"> <li>Ja zāles pļāvējs nejauši nokļūst lietū, atstājiet to iekštelpās nožūt vai izžāvējiet ar saspiesto gaisu.</li> </ul>
Ātri aizsērē zāles pļāvēja pļaušanas bloks.	<ul style="list-style-type: none"> <li>Pēc iepriekšējās lietošanas reizes pļāvēja bloks netika pareizi iztīrīts.</li> </ul>	<ul style="list-style-type: none"> <li>Pēc katras lietošanas reizes notīriet pļaušanas bloku, ievērojot sadaļā <b>„MAZGĀŠANAS PIESLĒGVIETAS IZMANTOŠANA PĻĀUŠANAS BLOKA TĪRĪŠANAI”</b> sniegtos norādījumus.</li> </ul>

PROBLĒMA	CĒLONIS	RISINĀJUMS
Plāvējs viegli zaudē saķeri, braucot augšup slīpumā.	<ul style="list-style-type: none"> <li>Nolietojušās aizmugurējo riteņu riepas.</li> </ul>	<ul style="list-style-type: none"> <li>Lai nomainītu riteņu riepas, dodieties uz vietējo servisu.</li> </ul>
	<ul style="list-style-type: none"> <li>Plāušana stāvā nogāzē.</li> </ul>	<ul style="list-style-type: none"> <li>Ar zāles plāvēju nedrīkst plaut slīpumā, kas stāvāks par noteikto leņķi.</li> </ul>
Ja zāles plāvēju aptur slīpumā, nospiežot stāvbremzes pedāli, zāles plāvējs var sākt slīdēt lejup.	<ul style="list-style-type: none"> <li>Nepareizi ekspluatēta plāvēja dēļ pārāk stipri nodilušas bremžu detaļas.</li> </ul>	<ul style="list-style-type: none"> <li>Sazinieties ar EGO klientu apkalpošanas centru, lai veiktu remontu.</li> </ul>
Plāušanas bloka mazgāšanas laikā no mazgāšanas pieslēgvietas netek ūdens.	<ul style="list-style-type: none"> <li>Mazgāšanas pieslēgvietā nav uzstādīts mazgāšanas pieslēgvietas ātrais savienotājs.</li> </ul>	<ul style="list-style-type: none"> <li>Vēlreiz piestipriniet mazgāšanas porta ātro savienotāju, stingri piespiežot, līdz ir dzirdama klikšķa skaņa. Ja tas neatrisina problēmu, sazinieties ar EGO klientu apkalpošanas dienestu.</li> </ul>
Manuāli stumjot zāles plāvēju bez iedarbināšanas, ir dzirdama neparasta skaņa.	<ul style="list-style-type: none"> <li>No magnētiem nāk skaņa, kas atrodas piedziņas motora iekšpusē.</li> </ul>	<ul style="list-style-type: none"> <li>Tas ir normāli, un nekādas darbības nav jāveic.</li> </ul>
Nevar pagriezt stūres ratu.	<ul style="list-style-type: none"> <li>Stūres rata bloks ir aizsērējis ar gružiem.</li> </ul>	<ul style="list-style-type: none"> <li>Pārbaudiet un iztīriet gružus.</li> </ul>
Zāles plāvējs, pagriežot stūres ratu, nepagriežas pa kreisi vai pa labi.	<ul style="list-style-type: none"> <li>Elektronisko vai mehānisko komponentu kļūme.</li> </ul>	<ul style="list-style-type: none"> <li>Sazinieties ar EGO klientu apkalpošanas centru, lai veiktu remontu.</li> </ul>
Zāles plāvējs neapstājas, atlaižot akseleratora pedāli.	<ul style="list-style-type: none"> <li>Akseleratora pedāļa atpakaļpārvietošanās trajektorija ir aizsērējusi ar gružiem.</li> </ul>	<ul style="list-style-type: none"> <li>Pārbaudiet un iztīriet gružus.</li> </ul>
	<ul style="list-style-type: none"> <li>Braukšanas laikā tika nejauši nospiesta CCS poga. Plāvējs pārgājis kruīza kontroles režīmā</li> </ul>	<ul style="list-style-type: none"> <li>Pārbaudiet, vai LCD ekrānā deg CCS ikona, un vajadzības gadījumā izejiet no CCS. Izlasiet sadaļu <b>"KRUĪZA KONTROLES (CCS) IZMANTOŠANA"</b>.</li> </ul>
CCS funkciju nevar aktivizēt vai izslēgt.	<ul style="list-style-type: none"> <li>Nav pareizi nospiesta CCS poga.</li> </ul>	<ul style="list-style-type: none"> <li>Nospiediet CCS pogu, līdz LCD ekrānā iedegas CCS ikona vai arī tā pazūd no LCD ekrāna.</li> </ul>

PROBLĒMA	CĒLONIS	RISINĀJUMS
Zāles pļāvējs nebrauc atpakaļgaitā, kad kreisā/taisnā lāpstiņa(-s) ir pavilkta(-s) uz operatora pusi.	<ul style="list-style-type: none"> <li>■ Pļāvēja statusa indikators nerāda zaļu krāsu, un pļāvējs nav gatavs braukšanai.</li> </ul>	<ul style="list-style-type: none"> <li>■ Lai pļāvēja statusa indikators degtu zaļā krāsā un pļāvējs būtu gatavs braukšanai, izpildiet sadaļā "PĻĀVĒJA IEDARBINĀŠANA" sniegtos norādījumus.</li> </ul>
	<ul style="list-style-type: none"> <li>■ Kreisā/labā lāpstiņa nav pareizi atvilкта virzienā uz operatoru.</li> </ul>	<ul style="list-style-type: none"> <li>■ Velciet kreiso vai labo lāpstiņu vai abas vienlaicīgi virzienā uz operatoru, līdz atskan „klikšķa” skaņa.</li> </ul>
	<ul style="list-style-type: none"> <li>■ Kreisā/labā lāpstiņa nav atvilкта virzienā uz operatoru.</li> </ul>	<ul style="list-style-type: none"> <li>■ Lai brauktu atpakaļgaitā, vismaz vienai no lāpstiņām jābūt pavilktai uz operatora pusi.</li> </ul>
	<ul style="list-style-type: none"> <li>■ Kreisā/labā lāpstiņa ir salauzta.</li> </ul>	<ul style="list-style-type: none"> <li>■ Sazinieties ar kvalificētu servisa tehniķi, kas veiks remontdarbus.</li> </ul>

## PLĀVĒJA STATUSS UN KĻŪDU KODI

LCD displejs	Apraksts	Kļūdas kods LCD ekrānā	Zāles plāvēja statusa indikators	Pikstienu signāls	Cēlonis	Risinājums
	LCD ekrānā redzama LED apgaismojuma ikona.	N/A	OFF (IZSLĒGTS)	Nav	Ar LED apgaismojuma slēdzi ieslēgti priekšējie, sānu un aizmugurējie lukturi.	Šī ir normāla darbība. Nekas cits nav jādara.
	LCD ekrānā redzama USB ikona.	N/A	OFF (IZSLĒGTS)	Nav	Iedegas USB ikona, norādot, ka USB ierīce var darboties pēc pareizas plāvēja palaišanas.	Šī ir normāla darbība. Nekas cits nav jādara.
	LCD ekrānā ir redzama degvielas mēritāja ikona.	N/A	OFF (IZSLĒGTS)	Nav	Parāda ievietoto akumulatoru vidējo uzlādes jaudu	Šī ir normāla darbība. Nekas cits nav jādara.
	LCD ekrānā ir redzama stundu skaitītāja ikona.	N/A	OFF (IZSLĒGTS)	Nav	Parāda plāvēja kopējo braukšanas laiku stundās, un to nevar atiestatīt.	Šī ir normāla darbība. Nekas cits nav jādara.
	ECO diapazonā redzama slodzes indikatora ikona.	N/A	OFF (IZSLĒGTS)	Nav	Parāda plāvēja pašreizējo slodzi.	Šī ir normāla darbība. Nekas cits nav jādara.
<b>LV</b>	LCD ekrānā redzama atpakaļgaitas ikona.	N/A	OFF (IZSLĒGTS)	Nav	Tas norāda, ka plāvējs brauc atpakaļgaitā.	Šī ir normāla darbība. Nekas cits nav jādara.
	Mirgo drošības atslēgas ikona.	N/A	OFF (IZSLĒGTS)	Nav	Nav ievietota drošības atslēga.	Lai ieslēgtu zāles plāvēju, ievietojiet drošības atslēgu, pēc tam nospiediet un pieturiet pogu „START/STOP” (ledarbināt/Apturēt).
					Bojāts galvenā vadības paneļa bloks.	Nogādājiet to pie kvalificēta servisa speciālista, kas veiks remontdarbus.



LCD displejs	Apraksts	Kļūdas kods LCD ekrānā	Zāles plāvēja statusa indikators	Pikstienu signāls	Cēlonis	Risinājums
	Mirgo noteikta akumulatora nodalījuma ikona.	N/A	OFF (IZSLĒGTS)	Nav	Izlādes laikā noteiktam akumulatoram radusies pārstrāva.	Nekas cits nav jādara. Zāles plāvējs var turpināt darbu, ja kopējā akumulatoru Ah jauda, izņemot akumulatoru ar strāvas pārslodzi, atbilst prasībām. Kad akumulators atgriežas normālā stāvoklī, tas nekavējoties pievienosies plāvēja barošanas sistēmai, un nodzīsīs ikona.
	Mirgo tukša akumulatora nodalījuma ikona.	N/A	OFF (IZSLĒGTS)	Nav	Akumulatora jauda nav pietiekama, lai plāvējs varētu darboties.	Lai iedarbinātu šo zāles plāvēju, izmantojiet pietiekami daudz EGO akumulatoru, ievērojot norādījumus, kas sniegti šīs rokasgrāmatas sadaļā <b>“AKUMULATORA BLOKU IEVIETOŠANA/ IZŅEMŠANA”</b> .
	Mirgo pārslodzes indikators.	N/A	Mirgo sarkanā gaisma	Viens pikstienu signāls	<p>Asmens motora pārslodze.</p> <p>Sānu izlādes tekne ir aizsērējies ar zāli un gružiem.</p> <p>Starp asmeni un plāvēja korpusu ir darbības traucējumi.</p>	<p>Lai samazinātu plāvēja slodzi, paceliet bloka pļaušanas augstumu vai samaziniet braukšanas ātrumu.</p> <p>Pēc katras lietošanas reizes iztīriet sānu izlādes tekni.</p> <p>Sazinieties ar EGO klientu apkalpošanas centru</p>

LCD displejs	Apraksts	Kļūdas kods LCD ekrānā	Zāles plāvēja statusa indikators	Pīkstienu signāls	Cēlonis	Risinājums
	Mirgo temperatūras ikona.	N/A	OFF (IZSLĒGTS)	Viens pīkstiena signāls	<p>Pārkarsis zāles plāvējs.</p> <p>Pārāk auksts plāvējs.</p>	<p>Samaziniet plāvējam slodzi, paaugstinot bloka plaušanas augstumu vai palēninot asmeņu/ braukšanas ātrumu. Ieturiet pauzi un ļaujiet plāvējam atdzist.</p> <p>Nemēģiniet to atkārtot, jo tas var sabojāt plāvēju. Vienmēr uzglabājiet plāvēju un akumulatoru siltā vidē. Kad plāvējs ir uzsilis, vēlreiz iedarbiniet.</p>
	Temperatūras ikona mirgo reizē ar attiecīgo akumulatora nodalījumu.	N/A	OFF (IZSLĒGTS)	Nav	<p>Atbilstošajā akumulatorā. Pārkarsis ar numuru norādītais akumulatora nodalījums.</p>	<p>1. Zāles plāvējs var turpināt darbu, ja kopējā akumulatoru Ah jauda, izņemot pārkarsētu akumulatoru, atbilst prasībām. Tiklīdz pārkarsušais akumulators atgriezīsies normālā temperatūrā, tas nekavējoties sāks plāvēja uzlādi.</p> <p>2. Ja kopējā akumulatoru Ah jauda nav pietiekama, zāles plāvējs nedarbosies, kamēr brīvajos akumulatoru nodalījumos nebūs ievietots vairāk akumulatoru.</p> <p>3. Samaziniet plāvējam slodzi, paaugstinot bloka plaušanas augstumu vai palēninot plaušanas ātrumu, atsākot darbu.</p>

LV

LCD displejs	Apraksts	Kļūdas kods LCD ekrānā	Zāles plāvēja statusa indikators	Pikstienu signāls	Cēlonis	Risinājums
	LCD ekrānā ik pēc 1 sekundes mirgo katra attiecīgā akumulatora nodalījuma ikonas, zema enerģijas patēriņa indikators un degvielas mērītāja akumulatora grafiskais apzīmējums. Mirgo arī pirmais LED degvielas rādītājs un plāvēja statusa indikators.	N/A	Mirgo sarkanā gaisma	Turpina pīkstēt, līdz netiek nospiests jūgvārpstas slēdzis.	Izlādējušies akumulatoru bloki, un plāvējs ir pārgājis ārkārtas darbības režīmā.	Jāpārtrauc darbs un pēc iespējas ātrāk jānododas uz akumulatora uzlādes zonu. <b>PIEZĪME!</b> Kad plāvējs ir pārgājis ārkārtas darbības režīmā, asmeņi tiek automātiski pārslēgti zemā rotācijas ātrumā bez zāles plaušanas funkcijas, un tikmēr turpinās pīkstēt skaņas indikators. Operatoram ir jānospiež jūgvārpstas slēdzis, lai izslēgtu asmeņu motorus. Pēc asmeņu apstāšanās audio indikators pārtrauks pīkstēt.
	Ik pēc pussekundes mirgo katra aizņemtā akumulatora nodalījuma ikona un zema enerģijas patēriņa indikators, ik pēc pussekundes mirgo arī pirmais degvielas indikators sarkanā krāsā.	N/A	Mirgo sarkanā gaisma	Turpina pīkstēt	Gandrīz izlādējušies akumulatoru bloki.	Plāvējs nekavējoties pārstās darboties. Operatoram jāpārvieto plāvējs uz akumulatora uzlādes zonu, lai to uzlādētu.
	LCD ekrānā mirgo automātiskās plāvēja novietošanas ikona.	N/A	OFF (IZSLĒGTS)	Turpina pīkstēt	Plāvējs ir novietots slīpumā, un operators atstājis plāvēju, nepārslēdzot stāvbremzes pedāli bremsēšanas pozīcijā.	Ieslēdziet stāvbremzes pedāli bremsēšanas stāvoklī. Nodzisīs automātiskās plāvēja novietošanas ikona, un skaņas indikators pārstās pīkstēt.
	LCD ekrānā redzama bremžu pedāļa ikona	N/A	OFF (IZSLĒGTS)	Nav	Stāvbremzes pedālis ieslēgts bremsēšanas stāvoklī.	Atlaidiet to pirms plāvēja iedarbināšanas.

**PIEZĪME!** Ja LCD ekrānā parādās kļūdas kods, izņemiet visus akumulatoru blokus un pēc dažām minūtēm ievietojiet atpakaļ. Ja tas neatrisina problēmu, veiciet tālāk norādītās kļūdas koda problēmu novēršanas darbības.

LCD displejs	Apraksts	Kļūdas kods LCD ekrānā	Zāles plāvēja statusa indikators	Pikstienu signāls	Cēlonis	Risinājums
	LCD ekrānā redzama sēdekļa sensora ikona	N/A	OFF (IZSLĒGTS)	Nav	Operators piecēlies no sēdekļa vai sēdekļa drošības bloķēšanas sistēma ir atvienota.	Ja ikona deg brīdī, kad operators ir apsēdies uz sēdekļa, nekavējoties apturiet plāvēju un pārbaudiet sēdekļa savienojumu. Ja pareizs sēdekļa savienojums ar plāvēju ir apstiprināts, lūdzu, sazinieties ar kvalificētu servisa tehniķi, kas veiks remontdarbus.
	Mirgo jūgvārpstas slēdža ikona	N/A	OFF (IZSLĒGTS)	Nav	Traucēta asmens motora darbība, un jūgvārpstas slēdzis nav iestatīts izslēgtā stāvoklī.	Pirms plāvēja atkārtotas iedarbināšanas nospiediet jūgvārpstas slēdzi, lai izslēgtu asmeņu motorus. Lūdzu, izlasiet šīs rokasgrāmatas sadaļu „ <b>PROBLĒMU MEKLĒŠANA UN NOVĒRŠANA</b> ”.
	Laiku pa laikam mirgo enerģijas atjaunošanas ikona.	N/A	OFF (IZSLĒGTS)	Nav	Kinētiskā enerģija, kas rodas, bremsējot vai braucot lejup, pārveidojusies elektriskajā enerģijā, lai uzlādētu akumulatorus.	Šī ir normāla darbība. Nekas cits nav jādara.
	CCS ikona mirgo	N/A	OFF (IZSLĒGTS)	Nav	Kļūme CCS (kruīza kontroles sistēmas) funkcijā.	CCS funkciju nevar iestatīt, ja plāvējs brauc ar ļoti mazu ātrumu vai brauc atpakaļgaitā.

LV

LCD displejs	Apraksts		Kļūdas kods LCD ekrānā	Zāles plāvēja statusa indikators	Pīkstienu signāls	Cēlonis	Risinājums
Skatīt „Kļūdas kods”	Negriežas kreisās puses piedziņas motors.	Negriežas PCBA vadības kreisās puses piedziņas motors.	413	OFF (IZSLĒGTS)	Viens pīkstiena signāls	PCBA kļūme	Nogādājiet to pie kvalificēta servisa speciālista, kas veiks remontdarbus.
		Nav līdz galam iesprausta kontaktdakša (trīsfāzu, strāvas vads), kas savieno kreisās puses piedziņas motoru ar atbilstošo PCBA.	317	OFF (IZSLĒGTS)	Viens pīkstiena signāls	Atskrūvējusies savienojumvieta	
		Nav līdz galam iesprausta kontaktdakša (sešu tapu, signāla vads), kas savieno kreisās puses piedziņas motoru ar atbilstošo PCBA.	301	OFF (IZSLĒGTS)	Viens pīkstiena signāls	Atskrūvējusies savienojumvieta	
		Negriežas kreisās puses piedziņas motors.	317	OFF (IZSLĒGTS)	Viens pīkstiena signāls	Motora kļūme	

**LV**

LCD displejs	Apraksts		Kļūdas kods LCD ekrānā	Zāles plāvēja statusa indikators	Pikstienu signāls	Cēlonis	Risinājums
Skatīt „Kļūdas kods”	Negriežas labās puses piedziņas motors	Negriežas PCBA vadības labās puses piedziņas motors.	313	OFF (IZSLĒGTS)	Viens pikstiena signāls	PCBA kļūme	Nogādāji to pie kvalificēta servisa speciālista, kas veiks remontdarbus.
		Nav līdz galam iesprausta kontaktdakša (trīsfāzu, strāvas vads), kas savieno labās puses piedziņas motoru ar atbilstošo PCBA.	417	OFF (IZSLĒGTS)	Viens pikstiena signāls	Atskrūvējusies savienojumvieta	
		Nav līdz galam iesprausta kontaktdakša (sešu tapu, signāla vads), kas savieno labās puses piedziņas motoru ar atbilstošo PCBA.	401	OFF (IZSLĒGTS)	Viens pikstiena signāls	Atskrūvējusies savienojumvieta	
		Negriežas labās puses piedziņas motors.	417	OFF (IZSLĒGTS)	Viens pikstiena signāls	Motora kļūme	
Skatīt „Kļūdas kods”	Negriežas kreisās puses asmens motors	Negriežas PCBA vadības kreisās puses asmens motors	607	N/A	Viens pikstiena signāls	PCBA kļūme	Nogādāji to pie kvalificēta servisa speciālista, kas veiks remontdarbus.
		Nav līdz galam iesprausta kontaktdakša (trīsfāzu, strāvas vads), kas savieno kreisās puses asmens motoru ar atbilstošo PCBA.	509	N/A	Viens pikstiena signāls	Atskrūvējusies savienojumvieta	Vispirms pārbaudiet asmeni. Ja ir atskrūvējies, pievelciet bultskrūvi ar ieteicamo griezes momentu. Vai arī nogādāji to pie kvalificēta servisa speciālista, kas veiks remontdarbus.
		Negriežas kreisās puses asmens motors	509	N/A	Viens pikstiena signāls	Motora kļūme	

**LV**

LCD displejs	Apraksts		Kļūdas kods LCD ekrānā	Zāles plāvēja statusa indikators	Pīkstienu signāls	Cēlonis	Risinājums
Skatīt „Kļūdas kods”	Negriežas labās puses asmens motors	Negriežas PCBA vadības labās puses asmens motors	507	N/A	Viens pīkstiena signāls	PCBA kļūme	Nogādājiet to pie kvalificēta servisa speciālista, kas veiks remontdarbus.
		Nav līdz galam iesprausta kontaktdakša (trīsfāzu, strāvas vads), kas savieno labās puses asmens motoru ar atbilstošo PCBA.	609	N/A	Viens pīkstiena signāls	Atskrūvējusies savienojumvieta	Vispirms pārbaudiet asmeni. Ja ir atskrūvējusies, pievelciet bultskrūvi ar ieteicamo griezes momentu. Vai arī nogādājiet to pie kvalificēta servisa speciālista, kas veiks remontdarbus.
		Negriežas labās puses asmens motors	609	N/A	Viens pīkstiena signāls	Motora kļūme	
Skatīt „Kļūdas kods”	Kļūme akceleratora pedāļa darbībā		311/ 411 307/ 407	OFF (IZSLĒGTS)	Viens pīkstiena signāls	PCBA kļūme Atskrūvējusies savienojumvieta	Nogādājiet to pie kvalificēta servisa speciālista, kas veiks remontdarbus.
Skatīt „Kļūdas kods”	Stūres rats nedarbojas		312/ 412	OFF (IZSLĒGTS)	Viens pīkstiena signāls	PCBA kļūme Atskrūvējusies savienojumvieta	Nogādājiet to pie kvalificēta servisa speciālista, kas veiks remontdarbus.
Skatīt „Kļūdas kods”	Nedarbojas stāvbremze, ar plāvēju nevar braukt.	Salūzusi stāvbremze PCBA, kas atrodas priekšējā rāmī.	309/ 409	OFF (IZSLĒGTS)	Viens pīkstiena signāls	PCBA kļūme	Nogādājiet to pie kvalificēta servisa speciālista, kas veiks remontdarbus.
		Salūzis stāvbremzes slēdzis un/vai vads.	801	OFF (IZSLĒGTS)	Viens pīkstiena signāls	Vada/slēdža kļūme	

LCD displejs	Apraksts	Kļūdas kods LCD ekrānā	Zāles plāvēja statusa indikators	Pikstienu signāls	Cēlonis	Risinājums
OFF (IZSLĒGTS)	Uzlādes pieslēgvieta kļūme	N/A	Deg nepārtraukta SARKANĀ gaisma	N/A	Uzlādes pieslēgvieta atvērtā ķēdē.	Nogādājiet to pie kvalificēta servisa speciālista, kas veiks remontdarbus.
		N/A	Deg nepārtraukta SARKANĀ gaisma	N/A	Nav strāvas padeves.	Pārbaudiet sienas kontaktligzdu, vai tajā pienāk 220V – 240V, un vai tā vispār darbojas.
		N/A	Deg nepārtraukta SARKANĀ gaisma	N/A	Izdedzis drošinātājs.	Nogādājiet to pie kvalificēta servisa speciālista, kas veiks remontdarbus.
Skatīt „Kļūdas kods”	Uzlādes porta kļūme	204	N/A	Viens pikstiena signāls	Uzlādes pieslēgvieta atvērtā ķēdē.	Nogādājiet to pie kvalificēta servisa speciālista, kas veiks remontdarbus.
Skatīt „Kļūdas kods”	Nedarbojas akumulatoru bloks.	217	N/A	Viens pikstiena signāls	Akumulatoru kārbā bojāts barošanas avots. Nedarbojas LED priekšējie lukturi un USB.	Nogādājiet to pie kvalificēta servisa speciālista, kas veiks remontdarbus.
		310/410	OFF (IZSLĒGTS)	Viens pikstiena signāls	Nav savienojuma starp akumulatora kārbas C tipa vadiem un citiem plāvēja C tipa vadiem.	
		201/202/203	OFF (IZSLĒGTS)	Viens pikstiena signāls	Akumulatoru kārbā bojāts BMS.	
Skatīt „Kļūdas kods”	„Start/Stop” (Palaist/Apturēt) slēdža kļūme	314/414	OFF (IZSLĒGTS)	Viens pikstiena signāls	Slēdža PCBA kļūme vai vājš vadu savienojums ar „Start/Stop” (Palaist/Apturēt) slēdzi.	Nogādājiet to pie kvalificēta servisa speciālista, kas veiks remontdarbus.

**LV**



LCD displejs	Apraksts	Kļūdas kods LCD ekrānā	Zāles plāvēja statusa indikators	Pīkstien signāls	Cēlonis	Risinājums
Skatīt „Kļūdas kods”	LCD ekrāna kļūme	315/ 415	OFF (IZSLĒGTS)	Viens pīkstiena signāls	Salūzis LCD bloks vai vājš savienojums ar LCD bloku.	Nogādājiet to pie kvalificēta servisa speciālista, kas veiks remontdarbus.

## GARANTIJA

### EGO GARANTIJAS POLITIKA

Lūdzu, apmeklējiet tīmekļa vietni [egopowerplus.com](http://egopowerplus.com), kur pieejama pilna EGO garantijas politikas noteikumu un nosacījumu versija.

## ΔΙΑΒΑΣΤΕ ΟΛΕΣ ΤΙΣ ΟΔΗΓΙΕΣ!



ΔΙΑΒΑΣΤΕ ΤΟ ΕΓΧΕΙΡΙΔΙΟ ΧΡΗΣΗΣ

## ΣΥΜΒΟΛΟ ΑΣΦΑΛΕΙΑΣ

Ο σκοπός των συμβόλων ασφαλείας είναι να σας επιστήσουν την προσοχή σε ενδεχόμενους κινδύνους.

Λαμβάνετε υπόψη και εξοικειωθείτε με τα σύμβολα ασφαλείας και τις επεξηγήσεις που τα συνοδεύουν. Τα σύμβολα προειδοποίησης από μόνα τους δεν εξαλείφουν κανέναν κίνδυνο. Οι οδηγίες και οι προειδοποιήσεις που παρέχουν δεν υποκαθιστούν τα ενδεδειγμένα μέτρα πρόληψης ατυχημάτων.

**▲ ΠΡΟΕΙΔΟΠΟΙΗΣΗ:** Βεβαιωθείτε ότι έχετε διαβάσει και κατανοήσει όλες τις οδηγίες ασφαλείας στο παρόν εγχειρίδιο χρήσης, συμπεριλαμβανομένων όλων των συμβόλων ασφαλείας, όπως «**ΚΙΝΔΥΝΟΣ**», «**ΠΡΟΕΙΔΟΠΟΙΗΣΗ**» και «**ΠΡΟΣΟΧΗ**», προτού χρησιμοποιήσετε αυτό το ηλεκτρικό εργαλείο. Η μη τήρηση όλων των παρακάτω οδηγιών μπορεί να οδηγήσει σε ηλεκτροπληξία, πυρκαγιά και/ή σοβαρό τραυματισμό.

## ΕΠΕΞΗΓΗΣΗ ΣΥΜΒΟΛΩΝ

Αυτή η σελίδα απεικονίζει και περιγράφει τα σύμβολα ασφαλείας που ενδέχεται να εμφανιστούν επάνω στο προϊόν. Διαβάζετε, κατανοείτε και τηρείτε όλες τις οδηγίες στη μηχανή, προτού επιχειρήσετε να τη συναρμολογήσετε και να τη χρησιμοποιήσετε.

## ΣΥΜΒΟΛΑ ΑΣΦΑΛΕΙΑΣ



Προειδοποίηση ασφαλείας



Προστασία των ματιών



ΚΙΝΔΥΝΟΣ – Κίνδυνος απότομης πλαγιάς



Ποτέ μην μεταφέρετε παιδιά



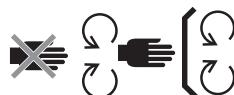
ΠΡΟΕΙΔΟΠΟΙΗΣΗ – Μην χρησιμοποιείτε αυτήν τη μηχανή σε πλαγιές με κλίση μεγαλύτερη από 12°



ΠΡΟΕΙΔΟΠΟΙΗΣΗ – ΔΙΑΤΗΡΕΪΤΕ ΤΑ ΧΕΡΙΑ ΚΑΙ ΤΑ ΠΟΔΙΑ ΜΑΚΡΙΑ



Διαβάστε και εξοικειωθείτε με το εγχειρίδιο χρήσης



Συντηρείτε τις διατάξεις ασφαλείας



ΚΙΝΔΥΝΟΣ – Διατηρείτε τους παρευρισκόμενους μακριά από τις λεπίδες



Κοιτάτε πίσω όταν κάνετε όπισθεν



ΚΙΝΔΥΝΟΣ – Εκτόξευση αντικειμένων



Εγγυημένη στάθμη ακουστικής ισχύος. Σύμφωνα με την οδηγία της Ευρωπαϊκής Κοινότητας.

GR



Μην στέκεστε εδώ



Τα απόβλητα ειδών ηλεκτρικού και ηλεκτρονικού εξοπλισμού δεν πρέπει να απορρίπτονται στα οικιακά απορρίμματα. Πρέπει να παραδίδονται σε εξουσιοδοτημένη μονάδα ανακύκλωσης.



Αυτό το προϊόν συμμορφώνεται με τις ισχύουσες οδηγίες της ΕΚ



ΠΡΟΣΟΧΗ – Μην κοιτάτε επίμονα τη λυχνία λειτουργίας.



Συνεχές ρεύμα



Αυτό το προϊόν συμμορφώνεται με την ισχύουσα νομοθεσία του Η.Β.

kPa

Κιλοπασκάλ

RPM

Στροφές ανά λεπτό

V

Βολτ

m

Μέτρα

in

Ίντσα

cm

Εκατοστά

Nm

Νιουτόμετρο

mm

Χιλιοστά

°C

Βαθμοί Κελσίου

kg

Κιλό

km/h

Χιλιόμετρα ανά ώρα

IPX4

Βαθμός προστασίας από εισχώρηση

## ΣΥΜΒΟΛΑ ΑΣΦΑΛΕΙΑΣ



Σημειώστε τις πληροφορίες



Η επισημασμένη ενέργεια σταματά

## ΤΕΧΝΙΚΕΣ ΠΡΟΔΙΑΓΡΑΦΕΣ

Τάση		56 V
Μέγεθος πλαισίου κοπής		107 cm
Μέγεθος τροχού	Μπροστά	279,4 x 101,6 – 127 mm
	Πίσω	457,2 x 241,3 – 203.2 mm
Πίεση ελαστικών εν ψυχρώ	Μπροστά	222,1 kPa
	Πίσω	110,3 kPa
Ακτίνα στροφής		0
Ταχύτητα λεπίδας (RPM)		2400, 2600, 2800, 3000

Μέγιστη ταχύτητα οδήγησης	Εμπροσθοπορεία	4,8 km/h, 8,1 km/h, 9,7 km/h, 11,3 km/h (12,8 km/h σε λειτουργία «TRAVEL»)
	Όπισθεν	έως και 5,6 km/h
Φόρτιση	Φορτιστής (προαιρετικά)	CHV1600E
	Προσαρμογέας (προαιρετικά)	ACA1000
	Εύρος θερμοκρασίας φόρτισης	5°C - 40°C
Ρύθμιση ύψους κοπής (10 θέσεις)		25 – 100 mm

GR

Θερμοκρασία λειτουργίας	0°C - 40°C	
Θερμοκρασία αποθήκευσης	-20°C - 70°C	
Βάρος (χωρίς συστοιχία μπαταριών)	196 kg	
Μετρούμενη στάθμη ακουστικής ισχύος $L_{WA}$	96,44 dB(A) K=0,68 dB(A)	
Στάθμη ηχητικής πίεσης στο αυτί του χειριστή $L_{PA}$	84,3 dB(A) K=3,0 dB(A)	
Εγγυημένη στάθμη ακουστικής ισχύος $L_{WA}$ (μέτρηση κατά 2000/14/ΕΚ)	100 dB(A)	
Κραδασμοί $a_h$	Χέρι	1,221 m/s <sup>2</sup> K=1,5 m/s <sup>2</sup>
	Σώμα	0,568 m/s <sup>2</sup> K=1,5 m/s <sup>2</sup>

- Η δηλωθείσα συνολική τιμή κραδασμών έχει μετρηθεί σύμφωνα με πρότυπη μέθοδο δοκιμής και μπορεί να χρησιμοποιηθεί για τη σύγκριση ενός εργαλείου με κάποιο άλλο.
- Η δηλωθείσα συνολική τιμή κραδασμών μπορεί να χρησιμοποιηθεί, επίσης, σε προκαταρκτική αξιολόγηση έκθεσης.

**ΣΗΜΕΙΩΣΗ:** Η μετάδοση της δόνησης κατά τη διάρκεια της πραγματικής χρήσης του ηλεκτρικού εργαλείου μπορεί να διαφέρει από τη δηλωθείσα τιμή στην οποία χρησιμοποιείται το εργαλείο. Για την προστασία του χειριστή, πρέπει να χρησιμοποιούνται γάντια και ωτοασπίδες υπό πραγματικές συνθήκες χρήσης.

GR

## ΣΥΝΙΣΤΩΜΕΝΑ ΠΑΡΕΛΚΟΜΕΝΑ

**▲ ΠΡΟΕΙΔΟΠΟΙΗΣΗ:** Χρησιμοποιείτε μόνο ανταλλακτικά όμοια με εκείνα που αναφέρονται παρακάτω. Η χρήση ανταλλακτικών που δεν ανταποκρίνονται στις αρχικές τεχνικές προδιαγραφές του εξοπλισμού μπορεί να οδηγήσει σε μειωμένη απόδοση και να θέσει σε κίνδυνο την ασφάλεια.

ΟΝΟΜΑ ΕΞΑΡΤΗΜΑΤΟΣ	ΑΡΙΘΜΟΣ ΜΟΝΤΕΛΟΥ
Τυπική λεπίδα	AB4200
Λεπίδα υψηλής ανύψωσης	AB4201
Εξάρτημα κάλυψης εδάφους	AMP4200
Κιτ σακιάσματος γρασιδιού	ABK4200-A
Πίσω προφυλακτήρας	AMB1000
Κιβώτιο μεταφοράς	AMG1000
Σκίαστρο	AMS1000

## ΠΕΡΙΓΡΑΦΗ

### ΕΞΟΙΚΕΙΩΣΗ ΜΕ ΤΟ ΧΛΟΟΚΟΠΤΙΚΟ (Εικ. Α1)

1. Κάθισμα
2. Θύρα φόρτισης
3. Μονάδα ηλεκτρικής τροφοδοσίας
4. Πίσω φώτα LED
5. Αποθηκευτικός χώρος
6. Πλευρικά φώτα LED
7. Πίσω τροχός (κινητήριος τροχός)
8. Θύρα πλύσης
9. Πλαίσιο κοπής
10. Προστατευτικό πλαισίου κοπής
11. Τροχός με προστατευτικό λεπίδας
12. Μπροστινός τροχός
13. Πεντάλ φρένου στάθμευσης
14. Φώτα λειτουργίας ημέρας
15. Προβολείς LED
16. Γκάζι
17. Χώρος στήριξης των ποδιών
18. Χοάνη πλευρικής εξαγωγής
19. Μοχλός ρύθμισης ύψους πλαισίου κοπής
20. Κουμπί ρύθμισης ανάρτησης καθίσματος
21. Τιμόνι
22. Κιβώτιο αριστερής πλευράς
23. Μοχλός ρύθμισης θέσης καθίσματος

24. Διακόπτης PTO
25. Κουμπί ενεργοποίησης/απενεργοποίησης
26. Κλειδί ασφαλείας
27. Θήκη τηλεφώνου
28. Ποτηροθήκες
29. Αριστερό χειριστήριο αλλαγής ταχυτήτων στο τιμόνι
30. Ένδειξη κατάστασης χλοοκοπτικού
31. Οθόνη LCD
32. Δεξιό χειριστήριο αλλαγής ταχυτήτων στο τιμόνι
33. Κουμπί ρύθμισης ταχύτητας λεπίδας
34. Κουμπί CCS
35. Κουμπί λειτουργίας οδήγησης
36. Διακόπτης φώτων LED
37. Κουμπί ρύθμισης ταχύτητας οδήγησης
38. Κουμπί αποδέσμευσης καλύμματος μονάδας ηλεκτρικής τροφοδοσίας
39. Κάλυμμα μονάδας ηλεκτρικής τροφοδοσίας
40. Μονάδα ηλεκτρικής τροφοδοσίας με έξι θήκες μπαταριών
41. Κουμπί αποδέσμευσης μπαταριών
42. Κοτσαδόρος
43. Κάλυμμα στήριξης προσαρτήματος
44. Θύρα USB

## ΕΞΟΙΚΕΙΩΣΗ ΜΕ ΤΗΝ ΟΘΟΝΗ LCD (Εικ. Α2)

Ανατρέξτε στην ενότητα «**ΑΝΑΦΟΡΑ ΚΑΤΑΣΤΑΣΗΣ ΚΑΙ ΚΩΔΙΚΟΙ ΒΛΑΒΗΣ ΧΛΟΟΚΟΠΤΙΚΟΥ**» για περισσότερες πληροφορίες σχετικά με τα εικονίδια και τις ενδείξεις στην οθόνη LCD.

1. Εικονίδιο όπισθεν
2. Εικονίδιο CCS
3. Εικονίδιο κλειδιού ασφαλείας
4. Εικονίδιο φώτων LED
5. Εικονίδιο αυτόματης στάθμευσης
6. Εικονίδιο USB
7. Ένδειξη ταχύτητας λεπίδας
8. Ένδειξη κατάστασης διατάξεων ασφαλείας

9. Μετρητής ωρών
10. Εικονίδιο άδειας θήκης μπαταριών
11. Εικονίδιο θερμοκρασίας
12. Εικονίδιο κατελημμένης θήκης μπαταριών
13. Λειτουργία οδήγησης
14. Ένδειξη κωδικού βλάβης
15. Ένδειξη υπερφόρτωσης
16. Ένδειξη χαμηλής ισχύος
17. Δείκτης στάθμης καυσίμου
18. Δείκτης φορτίου
19. Ένδειξη ταχύτητας οδήγησης

## ΑΠΟΣΥΣΚΕΥΑΣΙΑ

**ΣΗΜΕΙΩΣΗ:** Φυλάξτε τα υλικά συσκευασίας ώσπου να επιθεωρήσετε προσεκτικά το προϊόν και να βεβαιωθείτε ότι λειτουργεί ικανοποιητικά. Εάν κάποια εξαρτήματα που αναφέρονται στον κατάλογο εξαρτημάτων είναι ήδη συναρμολογημένα στο μηχάνημα, επικοινωνήστε αμέσως με το σέρβις της EGO.

**ΣΗΜΕΙΩΣΗ::** Εκτός από τα εργαλεία που περιλαμβάνονται στον παρακάτω κατάλογο εξαρτημάτων, όλα τα υπόλοιπα εργαλεία που αναφέρονται στα εγχειρίδια, απλά συνιστώνται, δεν παρέχονται.

**ΣΗΜΕΙΩΣΗ::** Μην αφαιρέσετε το αφρώδες μπλοκ κάτω από το τιμόνι εάν δεν έχει εγκατασταθεί σωστά το τιμόνι. Οι κραδασμοί κατά τη διάρκεια της μετακίνησης μπορεί να προκαλέσουν ζημιά στο τιμόνι.

## ΚΑΤΑΛΟΓΟΣ ΕΞΑΡΤΗΜΑΤΩΝ (ΕΙΚ. Β)

B-1	Χλοοκοπτικό τρακτέρ επιτόπιας περιστροφής	B-2	Κάθισμα
B-3	Εξάρτημα κάλυψης εδάφους	B-4	Βίδες Άλεν (2 εφεδρικές)
B-5	Κλειδί Άλεν	B-6	Μπουλονόκλειδο
B-7	Ανοικτό κλειδί	B-8	Κλειδιά ασφαλείας

B-9	Ταχυσύνδεσμος θύρας πλύσης	B-10	Εγχειρίδια χρήσης
-----	----------------------------	------	-------------------

## ΣΥΝΑΡΜΟΛΟΓΗΣΗ

### ΤΟΠΟΘΕΤΗΣΗ ΚΑΘΙΣΜΑΤΟΣ (Εικ. C1 – C4)

**⚠ ΠΡΟΕΙΔΟΠΟΙΗΣΗ:** Το προστατευτικό σύστημα αλληλασφάλισης δεν πρέπει να αποσυνδέεται ή να παρακάμπτεται. Κάτι τέτοιο μπορεί να προκαλέσει απρόσμενη λειτουργία του χλοοκοπτικού με αποτέλεσμα τραυματισμό.

**ΣΗΜΕΙΩΣΗ:** Για τη δική σας ασφάλεια, το χλοοκοπτικό μπορεί να ακινητοποιηθεί εάν ο διακόπτης καθίσματος αποσυνδεθεί κατά τη διάρκεια της οδήγησης. Σε αυτή την περίπτωση ανατρέξτε στην ενότητα «**ΑΝΤΙΜΕΤΩΠΙΣΗ ΠΡΟΒΛΗΜΑΤΩΝ**» για περισσότερες πληροφορίες.

C1-1	Πρίζα	C1-2	Φις
C1-3	Καλώδιο	C2-1	Μπράτσο καθίσματος
C2-2	Βάση ανάρτησης	C2-3	Κλειδί Άλεν
C2-4	Βίδες Άλεν	C2-5	Μοχλός ρύθμισης θέσης καθίσματος
C3-1	Χαλύβδινες ράγες	C3-2	Κλειδί Άλεν
C3-3	Βίδες Άλεν	C4-1	Άγκιστρο

GR

### ΤΟΠΟΘΕΤΗΣΗ ΤΙΜΟΝΙΟΥ (Εικ. C5 – C6)

C5-1	Μπουλόνι ασφάλισης	C5-2	Μπάρα
C6-1	Μπλοκ εντοπισμού	C6-2	Υποδοχή
C6-3	Προστατευτικό τιμονιού		

### ΠΡΟΣΑΡΤΗΣΗ ΕΞΑΡΤΗΜΑΤΟΣ ΚΑΛΥΨΗΣ ΕΔΑΦΟΥΣ (Εικ. C7)

C7-1	Χοάνη πλευρικής εξαγωγής	C7-2	Εξάρτημα κάλυψης εδάφους
C7-3	Κινούμενο ελατήριο		

## ΡΥΘΜΙΣΗ

### ΠΡΙΝ ΤΗ ΡΥΘΜΙΣΗ (Εικ. D1)

### ΡΥΘΜΙΣΗ ΥΨΟΥΣ ΤΟΥ ΠΛΑΙΣΙΟΥ ΚΟΠΗΣ (Εικ. D2)

### ΡΥΘΜΙΣΗ ΤΡΟΧΩΝ ΜΕ ΠΡΟΣΤΑΤΕΥΤΙΚΟ ΛΕΠΙΔΑΣ (Εικ. D3 – D6)

D3-1	Τροχός με προστατευτικό λεπίδας	D5-1	Παξιμάδι
D5-2	Μπουλόνι τροχού	D6-1	Ετικέτα ύψους πλαισίου κοπής

### ΡΥΘΜΙΣΗ ΚΑΘΙΣΜΑΤΟΣ (Εικ. D7)

D7-1	Μοχλός ρύθμισης θέσης καθίσματος	D7-2	Κουμπί ρύθμισης ανάρτησης καθίσματος
------	----------------------------------	------	--------------------------------------

### ΡΥΘΜΙΣΗ ΤΙΜΟΝΙΟΥ (Εικ. D8)

D8-1	Μπουλόνι ασφάλισης	D8-2	Μπάρα
D8-3	Μπλοκ εντοπισμού	D8-4	Υποδοχή

## ΛΕΙΤΟΥΡΓΙΑ

### ΠΡΙΝ ΤΗ ΛΕΙΤΟΥΡΓΙΑ (Εικ. E1)

### ΡΥΘΜΙΣΗ ΦΡΕΝΟΥ ΣΤΑΘΜΕΥΣΗΣ (Εικ. E2)

E2-1	Θέση αποδέσμευσης	E2-2	Θέση πέδησης
------	-------------------	------	--------------

**ΣΗΜΕΙΩΣΗ:** Μην πατάτε ποτέ το πεντάλ φρένου στάθμευσης για να μειώσετε ταχύτητα. Μόλις το πεντάλ φρένου στάθμευσης πατηθεί αρκετά αλλά, ωστόσο όχι στην πλήρη θέση στάθμευσης, το χλοοκοπτικό θα σταματήσει να κινείται σε επίπεδη επιφάνεια. Εάν όμως αυτό συμβεί σε επιφάνεια με κλίση, το χλοοκοπτικό μπορεί να κατακυλήσει στην πλαγιά.



## ΠΡΟΣΑΡΤΗΣΗ/ΑΦΑΙΡΕΣΗ ΤΗΣ ΣΥΣΤΟΙΧΙΑΣ ΜΠΑΤΑΡΙΩΝ (Εικ.Ε3 – Ε6)

Για τη θέση του χλοοκοπτικού σε λειτουργία απαιτούνται μπαταρίες EGO συνολικής απόδοσης τουλάχιστον 15 Ah (2 X BA4200/BA4200T). Για καλύτερη απόδοση, συνιστούμε τη χρήση μπαταριών EGO συνολικής απόδοσης τουλάχιστον 30 Ah.

E3-1	Κουμπί αποδέσμευσης καλύμματος	E5-1	Κουμπί αποδέσμευσης μπαταριών
------	--------------------------------	------	-------------------------------

## ΦΟΡΤΙΣΗ ΤΟΥ ΧΛΟΟΚΟΠΤΙΚΟΥ

Χρησιμοποιείτε μόνο τις συστοιχίες μπαταριών και τους φορτιστές που συνιστώνται.

- Φορτίζετε την/τις συστοιχία/συστοιχίες μπαταριών ξεχωριστά (Εικ. Ε7)

**ΣΗΜΕΙΩΣΗ:** Ανατρέξτε στα αντίστοιχα εγχειρίδια μπαταριών και φορτιστή για λεπτομερείς οδηγίες.

- Φορτίζετε την/τις συστοιχία/συστοιχίες μπαταριών μέσω θύρας φόρτισης (Εικ. Ε8-Ε10)

E10-1	Πώμα σκόνης	E10-2	Θύρα φόρτισης
-------	-------------	-------	---------------

## ΔΟΚΙΜΗ ΠΡΟΣΤΑΤΕΥΤΙΚΟΥ ΣΥΣΤΗΜΑΤΟΣ ΑΛΛΗΛΑΣΦΑΛΙΣΗΣ

- Για να δοκιμάσετε το σύστημα λεπίδας του πλαισίου κοπής (Εικ. Ε11 – Ε12)
- Για να δοκιμάσετε το σύστημα κίνησης (Εικ. Ε13 – Ε14)

Εάν το σύστημα λεπίδας του πλαισίου κοπής ή/και το σύστημα κίνησης δεν σταματήσει μόλις ο χειριστής σηκωθεί από κάθισμα και εάν η αιτία δεν μπορεί να προσδιοριστεί αφότου επιβεβαιωθεί η καλή σύνδεση του φιν και της πρίζας του καθίσματος, επικοινωνήστε αμέσως με το κέντρο εξυπηρέτησης πελατών της EGO.

## ΛΙΣΤΑ ΕΛΕΓΧΟΥ ΠΡΙΝ ΤΗ ΛΕΙΤΟΥΡΓΙΑ

- Βεβαιωθείτε ότι στο χώρο εργασίας δεν υπάρχουν παιδιά, παρευρισκόμενοι και κατοικίδια.
- Καθαρίζετε το χώρο εργασίας από αντικείμενα που μπορεί να εκσφενδονιστούν από τις λεπίδες του χλοοκοπτικού.
- Απομακρύνετε τα υπολείμματα από το χλοοκοπτικό.

- Ελέγξτε για τυχόν χαλαρούς σφιγκτήρες.
- Ελέγξτε για να βεβαιωθείτε ότι όλες οι καλύπτρες βρίσκονται στη θέση τους και λειτουργούν απρόσκοπτα.
- Ελέγξτε οπτικά εάν τα ελαστικά είναι φουσκωμένα.
- Ελέγξτε τη λειτουργία φρένων.
- Ρυθμίστε το ύψος του πλαισίου κοπής στην επιθυμητή θέση κοπής που ταιριάζει καλύτερα στο γκαζόν και ρυθμίστε ανάλογα τους τροχούς με προστατευτικό λεπίδας.
- Ρυθμίστε τη θέση του καθίσματος και βεβαιωθείτε ότι η πρόσβαση και στα δύο πεντάλ είναι απρόσκοπτη.
- Ρυθμίστε το τιμόνι στην επιθυμητή θέση, εφόσον απαιτηθεί.
- Επαληθεύστε το επίπεδο φόρτισης μπαταρίας.
- Δοκιμάστε το προστατευτικό σύστημα αλληλασφάλισης.

## ΘΕΣΗ ΤΟΥ ΧΛΟΟΚΟΠΤΙΚΟΥ ΣΕ ΛΕΙΤΟΥΡΓΙΑ (Εικ. Ε15 – Εικ. Ε16)

**⚠ ΠΡΟΕΙΔΟΠΟΙΗΣΗ:** Αποφεύγετε την απότομη εκκίνηση, το απότομο σταμάτημα και τις απότομες στροφές, καθώς και την υπερβολική ταχύτητα, ειδικά στην αρχή που μαθαίνετε να χειρίζεστε το χλοοκοπτικό. Το χλοοκοπτικό μπορεί να στροβιλιστεί υπερβολικά γρήγορα, κάνοντάς σας να χάσετε τον έλεγχο με αποτέλεσμα σοβαρό τραυματισμό ή/και ζημιά.

**⚠ ΠΡΟΕΙΔΟΠΟΙΗΣΗ:** Προτού θέσετε σε λειτουργία το χλοοκοπτικό, ελέγχετε και βεβαιώνετε ότι οι λεπίδες αποδεσμεύονται εντός 5 δευτερολέπτων αφού ωθήσετε το διακόπτη ΡΤΟ προς τα κάτω. Εάν οι λεπίδες δεν σταματούν, μην χρησιμοποιείτε το χλοοκοπτικό και επικοινωνήστε αμέσως με το τμήμα εξυπηρέτησης πελατών της EGO.

**ΣΗΜΕΙΩΣΗ:** Ακολουθήστε την Εικ. Ε17 & την Εικ. Ε18 για την ελάχιστη ταχύτητα οδήγησης και τη STANDARD λειτουργία οδήγησης, ώσπου να είστε πλήρως ικανοί να χειρίζεστε το χλοοκοπτικό σε κάθε περίπτωση.

Το χλοοκοπτικό θα αποθηκεύσει και θα εμφανίσει την προηγούμενη λειτουργία οδήγησης, ταχύτητα οδήγησης και βαθμονόμηση του τιμονιού κατά την επανεκκίνησή του.

## ΡΥΘΜΙΣΗ ΛΕΙΤΟΥΡΓΙΑΣ ΟΔΗΓΗΣΗΣ (Εικ. E17)

- **CONTROL:** Μικρότερη επιτάχυνση, λιγότερο ευαίσθητος χειρισμός και ήπια ταχύτητα περιστροφής για την προστασία του γρασιδιού και νέους χρήστες.
- **STANDARD:** Τέλεια για καθημερινή χρήση.
- **SPORT:** Μεγαλύτερη επιτάχυνση, ακριβής χειρισμός και απότομες στροφές για τη μεγιστοποίηση της απόδοσης κοπής και ενθουσιώδεις χρήστες χλοοκοπτικών.

**ΣΗΜΕΙΩΣΗ:** Η λειτουργία οδήγησης δεν επιδέχεται ρύθμιση κατά τη διάρκεια της οδήγησης. Η λειτουργία θα ενεργοποιηθεί μόνο εφόσον ακινητοποιηθούν οι τροχοί του χλοοκοπτικού.

## Ρύθμιση ταχύτητας οδήγησης (Εικ. E18)

**ΣΗΜΕΙΩΣΗ:** Όταν βρίσκεστε στη λειτουργία «TURBO», πατήστε το πλήκτρο «-», ώστε η ταχύτητα οδήγησης να επιστρέψει στην προηγούμενη λειτουργία.

## Ρύθμιση ταχύτητας λεπίδας (Εικ. E19)

### Φώτα LED

- Οι προβολείς, τα πλευρικά φώτα και τα πίσω φώτα ελέγχονται από το διακόπτη φώτων LED.
- Τα φώτα λειτουργίας παραμένουν πάντα αναμμένα κατά την οδήγηση.
- Όταν κάνετε όπισθεν, εάν τα πίσω φώτα είναι σβηστά θα αναβοσβήσουν για να προειδοποιήσουν τυχόν παρευρισκόμενους. Εάν τα πίσω φώτα είναι αναμμένα, θα παραμείνουν αναμμένα.
- Όλα τα φώτα σβήνουν αυτόματα, μόλις το χλοοκοπτικό απενεργοποιηθεί αυτόματα μετά από ένα χρονικό διάστημα χωρίς λειτουργία.

### Θύρα USB

**ΣΗΜΕΙΩΣΗ:** Η θύρα USB παρέχει ισχύ φόρτισης 5 βολτ DC με συνδυασμένη χρήση 1,5 αμπέρ και ενεργοποιείται μόνο όταν το χλοοκοπτικό εκκινείται

## ΑΠΕΝΕΡΓΟΠΟΙΗΣΗ ΤΟΥ ΧΛΟΟΚΟΠΤΙΚΟΥ (Εικ. E20)

**ΣΗΜΕΙΩΣΗ:** Εάν παρέλθουν πάνω από 60 λεπτά χωρίς λειτουργία, το χλοοκοπτικό απενεργοποιείται αυτόματα.

## Λειτουργία έκτακτης ανάγκης

Όταν η φόρτιση της μπαταρίας γίνει εξαιρετικά χαμηλή, το χλοοκοπτικό μεταβαίνει στη λειτουργία έκτακτης ανάγκης για να εξοικονομήσει επαρκή ισχύ, προκειμένου να επιστρέψει στο χώρο φόρτισης.

- Οι λεπίδες μεταβαίνουν σε χαμηλή ταχύτητα περιστροφής, η οποία θα μπορούσε να κόψει μόνο πολύ μικρή ποσότητα γρασιδιού. Όταν συναντάτε ψηλό και πυκνό γρασίδι, οι λεπίδες σταματούν να περιστρέφονται. Η ηχητική ένδειξη θα ακουστεί (μπιπ) διακεκομμένα.
- Η ένδειξη κατάστασης του χλοοκοπτικού θα αναβοσβήνει κόκκινη ανά δευτερόλεπτο, ενώ και η ένδειξη χαμηλής ισχύος και τα γραφικά μπαταρίας στο δείκτη στάθμης καυσίμου θα αναβοσβήνουν.

Ο χειριστής πρέπει:

- Πιέστε το διακόπτη PTO προς τα κάτω για να απενεργοποιήσετε τους κινητήρες λεπίδων. Η ηχητική ένδειξη θα σταματήσει μόλις ακινητοποιηθούν οι κινητήρες λεπίδων.
- Σταματήστε την εργασία και μεταβείτε το συντομότερο δυνατό στο χώρο φόρτισης. Η μέγιστη απόσταση που μπορεί να διανύσει το χλοοκοπτικό είναι 1000 m.

Όταν η μπαταρία σχεδόν εξαντληθεί, το εικονίδιο κάθε κατειλημμένης θήκης μπαταριών και η ένδειξη χαμηλής ισχύος θα αναβοσβήνουν ανά μισό δευτερόλεπτο. Το χλοοκοπτικό θα σταματήσει αμέσως τη λειτουργία. Ο χειριστής πρέπει να μεταφέρει το χλοοκοπτικό στο χώρο φόρτισης για τη φόρτιση.

**ΣΗΜΕΙΩΣΗ:** Εάν απαιτείται χειροκίνητη ώθηση, βεβαιωθείτε ότι οι μπαταρίες έχουν αποσυνδεθεί από το χλοοκοπτικό και το πεντάλ φρένου στάθμευσης έχει αποδεσμευτεί από τη θέση πέδησης.

## ΟΔΗΓΗΣΗ ΤΟΥ ΧΛΟΟΚΟΠΤΙΚΟΥ (Εικ. E21)

**⚠ ΚΙΝΔΥΝΟΣ:** Παραμένετε τουλάχιστον δύο πλάτη κοπής μακριά από χαντάκια, απότομες κεκλιμένες επιφάνειες ή νερό. Οι μπροστινοί τροχοί ενδέχεται να περιστραφούν όταν το χλοοκοπτικό είναι ακινητοποιημένο, ακόμα και με πατημένο το φρένο, ωθώντας το χλοοκοπτικό προς τα άκρα ή το νερό, με αποτέλεσμα θάνατο ή σοβαρό τραυματισμό.



**⚠ ΠΡΟΕΙΔΟΠΟΙΗΣΗ:** Προτού κάνετε όπισθεν, ελέγχετε τι υπάρχει πίσω από το χλοοκοπτικό. ΜΗΝ κόβετε με την όπισθεν παρά μόνο εάν είναι απολύτως απαραίτητο. Κοιτάτε πάντα κάτω και πίσω πριν και κατά τη διάρκεια της όπισθεν, προκειμένου να διασφαλίζετε ότι δεν εισέρχονται παιδιά, παρευρισκόμενοι ή κατοικίδια στο χώρο κοπής. Να θυμάστε ότι ένα κλάσμα δευτερολέπτου απροσεξίας αρκεί για να προκαλέσει θάνατο ή σοβαρό τραυματισμό.

**⚠ ΠΡΟΕΙΔΟΠΟΙΗΣΗ:** Μην χρησιμοποιείτε τη μηχανή σε δημόσιους δρόμους.

**⚠ ΠΡΟΕΙΔΟΠΟΙΗΣΗ:** Σε περίπτωση εμπλοκής ή εάν χτυπήσετε ξένο αντικείμενο, σβήστε τους κινητήρες και βγάλτε τις μπαταρίες. Απομακρύνετε κομμένο γρασίδι, φύλλα, ρύπους και άλλα συσσωρευμένα υπολείμματα. Επιθεωρήστε σχολαστικά το χλοοκοπτικό για ζημιές και επισκευάστε τη ζημιά προτού επανεκκινήσετε και χρησιμοποιήσετε το χλοοκοπτικό.

## ΧΡΗΣΗ ΣΥΣΤΗΜΑΤΟΣ ΕΛΕΓΧΟΥ ΠΟΡΕΙΑΣ (CCS)

Για ενεργοποίηση του CCS κατά την οδήγηση (Εικ. E22)

**ΣΗΜΕΙΩΣΗ:** Το επίπεδο ταχύτητας οδήγησης που εμφανίζεται στην οθόνη LCD ενδέχεται να μην αντιπροσωπεύει με ακρίβεια την πραγματική ταχύτητα οδήγησης του χλοοκοπτικού στο σύστημα ελέγχου πορείας. Πατήστε ένα από τα κουμπιά ρύθμισης ταχύτητας («←» ή «→») για να «ανανεώσετε» και να προσαρμόσετε το επίπεδο της ταχύτητας οδήγησης στην οθόνη LCD.

Για να βγείτε από το CCS και να απενεργοποιήσετε το χλοοκοπτικό, μπορείτε να επιλέξετε έναν από τους ακόλουθους τέσσερις τρόπους:

- Πατήστε ελαφρά το γκάτζι και, στη συνέχεια, αποδεσμεύστε.
- Τραβήξτε το/τα αριστερό/δεξί χειριστήριο/χειριστήρια αλλαγής ταχυτήτων στο τιμόνι προς το χειριστή και, στη συνέχεια, αποδεσμεύστε.
- Πατήστε το πεντάλ φρένου στάθμευσης.
- Πατήστε το κουμπί CCS.

**ΣΗΜΕΙΩΣΗ:** Πατήστε τέρμα το γκάτζι για να επιτύχετε την τρέχουσα ταχύτητα οδήγησης CCS και συνεχίστε να το πατάτε. Η λειτουργία CCS θα απενεργοποιηθεί, ενώ το χλοοκοπτικό θα εξακολουθήσει να κινείται με την τρέχουσα ταχύτητα οδήγησης.

## ΣΥΝΤΗΡΗΣΗ

**⚠ ΠΡΟΕΙΔΟΠΟΙΗΣΗ:** Φοράτε πάντα προστασία των ματιών με πλαϊνά προστατευτικά. Στην αντίθετη περίπτωση, ενδέχεται να εκτοξευτούν αντικείμενα στα μάτια σας με συνέπεια ενδεχόμενο σοβαρό τραυματισμό.

**⚠ ΠΡΟΕΙΔΟΠΟΙΗΣΗ:** Προστατεύετε πάντα τα χέρια σας, φορώντας γάντια βαριάς χρήσης ή τυλίγοντας τις αιχμηρές κόψεις με πανιά ή άλλα υλικά όταν διεξάγετε εργασίες συντήρησης στη λεπίδα του χλοοκοπτικού. Αφαιρείτε πάντα το κλειδί ασφαλείας και τις συστοιχίες μπαταριών πριν από τη συντήρηση ή μεταφορά του χλοοκοπτικού.

Διάστημα εργασιών συντήρησης	Διαδικασία συντήρησης
<p>Πριν από κάθε χρήση ή καθημερινά</p>	<ul style="list-style-type: none"> <li>▪ Ελέγξτε το προστατευτικό σύστημα αλληλασφάλισης.</li> <li>▪ Ελέγξτε οπτικά εάν τα ελαστικά είναι φουσκωμένα.</li> <li>▪ Επιθεωρήστε τις λεπίδες.</li> <li>▪ Επιθεωρήστε ολόκληρο το προϊόν για χαλασμένα, ελλειπή ή χαλαρά μέρη, όπως είναι η χοάνη πλευρικής εξαγωγής, οι βίδες, τα παξιμάδια, τα μπουλόνια, τα πώματα, κτλ., διασφαλίζοντας ότι όλες οι καλύπτρες βρίσκονται στη θέση τους και λειτουργούν απρόσκοπτα.</li> <li>▪ Ελέγξτε και βεβαιωθείτε ότι το γκάτζι επιδέχεται σωστό πάτημα και αποδέσμευση.</li> <li>▪ Ελέγξτε το αμορτισέρ τιμονιού. Το τιμόνι πρέπει να περιστρέφεται προβάλλοντας κάποια αντίσταση.</li> </ul>

GR

Μετά από κάθε χρήση	<ul style="list-style-type: none"> <li>Καθαρίστε τη πλαίσιο κοπής του χλοοκοπτικού.</li> </ul>
Ανά 25 ώρες	<ul style="list-style-type: none"> <li>Ελέγξτε την πίεση ελαστικών.</li> </ul>
Ανά 100 ώρες	<ul style="list-style-type: none"> <li>Ελέγξτε τους πίσω τροχούς, διασφαλίζοντας ότι όλα τα παξιμάδια τροχών είναι συσφιγμένα με την προτεινόμενη ροπή σύσφιξης.</li> </ul>
Ανά 200 ώρες	<ul style="list-style-type: none"> <li>Ελέγξτε τους μπροστινούς τροχούς διασφαλίζοντας ότι περιστρέφονται απρόσκοπτα.</li> </ul>
Πριν την αποθήκευση	<ul style="list-style-type: none"> <li>Αφαιρέστε τις μπαταρίες από το χλοοκοπτικό.</li> <li>Αφαιρέστε το κλειδί ασφαλείας από το χλοοκοπτικό.</li> <li>Διενεργήστε όλες τις διαδικασίες συντήρησης που αναφέρονται παραπάνω και καθαρίστε διεξοδικά το χλοοκοπτικό.</li> <li>Επιθεωρήστε ολόκληρο το προϊόν για κατεστραμμένα, ελλειπή ή χαλαρά εξαρτήματα, και αντικαταστήστε ή συσφίξτε τα αντίστοιχα εξαρτήματα πριν την αποθήκευση.</li> </ul>
Ετήσια	<ul style="list-style-type: none"> <li>Ελέγξτε το πεντάλ φρένου στάθμευσης. Αφαιρέστε την μπαταρία από το χλοοκοπτικό και θέστε το πεντάλ φρένου στάθμευσης στη θέση πέδησης. Ωθήστε χειροκίνητα το χλοοκοπτικό προς τα εμπρός, για να διαπιστώσετε εάν μπορεί να μετακινηθεί ή όχι. Εάν μετακινείται, απαιτείται συντήρηση από εξειδικευμένο τεχνικό σέρβις.</li> </ul>

**GR**

## ΓΕΝΙΚΗ ΣΥΝΤΗΡΗΣΗ

Καθαρισμός πλαισίου του χλοοκοπτικού (Εικ. F1 – F2)

Χρήση θύρας πλύσης για τον καθαρισμό του πλαισίου κοπής του χλοοκοπτικού (Εικ. F3 – F4)

F2-1	Θύρα πλύσης	F2-2	Ταχυσύνδεσμος θύρας πλύσης
F2-3	Λάστιχο κήπου		

**ΣΗΜΕΙΩΣΗ:** Όταν τελειώσετε τον καθαρισμό, απενεργοποιήστε πλήρως το χλοοκοπτικό και, στη συνέχεια, αφαιρέστε το λάστιχο κήπου και τον ταχυσύνδεσμο.

## ΣΥΝΤΗΡΗΣΗ ΤΟΥ ΠΛΑΙΣΙΟΥ ΚΟΠΗΣ ΤΟΥ ΧΛΟΟΚΟΠΤΙΚΟΥ ΚΑΙ ΤΩΝ ΛΕΠΙΔΩΝ ΚΟΠΗΣ

### ΠΡΟΕΤΟΙΜΑΣΙΑ (Εικ. G1)

**Αφαίρεση του πλαισίου κοπής του χλοοκοπτικού (Εικ. G2 – G3)**

G2-1	Καλώδιο κινητήρα	G2-2	Σύνδεσμος ανάρτησης
G2-3	Ασφαλιστική περόνη		

**ΣΗΜΕΙΩΣΗ:** Αποσυνδέστε όλα τα καλώδια του κινητήρα και τις ασφαλιστικές περόνες κατά την αφαίρεση του πλαισίου κοπής του χλοοκοπτικού.

### Αντικατάσταση των λεπίδων κοπής (Εικ. G4 – G6)

G4-1	Σταθεροποιητής	G5-1	Μπουλόνι
G5-2	Ροδέλα	G5-3	Λεπίδα
G5-4	Φλάντζα	G5-5	Άξονας κινητήρα

### Αλφάδιασμα πλαισίου κοπής του χλοοκοπτικού

- Πότε απαιτείται αλφάδιασμα (Εικ. G7 – G9)**
- Πριν το αλφάδιασμα**
  - Έλεγχος πίεσης ελαστικών εν ψυχρώ (Εικ. G10)
  - Έλεγχος των λεπίδων κοπής. Απομακρύνετε και αντικαθιστάτε φθαρμένες, ραγισμένες και/ή λυγισμένες λεπίδες, εάν είναι απαραίτητο.
- Προετοιμασία αλφαδιάσματος (Εικ. G11)**
- Τρόπος αλφαδιάσματος**
  - Ρύθμιση από άκρη σε άκρη (Εικ. G12)
  - Ρύθμιση από εμπρός προς τα πίσω (Εικ. G13)

## ΒΑΘΜΟΝΟΜΗΣΗ ΤΟΥ ΣΥΣΤΗΜΑΤΟΣ ΠΑΡΑΚΟΛΟΥΘΗΣΗΣ ΤΟΥ ΧΛΟΟΚΟΠΤΙΚΟΥ (Εικ. Η1 - Εικ. Η2)

**ΣΗΜΕΙΩΣΗ:** Η ηχητική ένδειξη θα ηχήσει μια φορά κατά την εκκίνηση της βαθμονόμησης και άλλη μία μόλις αυτή ολοκληρωθεί.

**ΣΗΜΕΙΩΣΗ:** Η βαθμονόμηση που έχει ολοκληρωθεί για έναν από τους τρόπους οδήγησης («CONTROL», «STANDARD», «SPORT») ενδέχεται να μην είναι διαθέσιμη στους άλλους δύο τρόπους λειτουργίας. Βαθμονομήστε το τιμόνι σε κάθε λειτουργία οδήγησης μεμονωμένα, ανάλογα με τις ανάγκες.

## ΕΠΑΝΑΦΟΡΑ ΤΟΥ ΧΛΟΟΚΟΠΤΙΚΟΥ ΣΤΗΝ ΑΡΧΙΚΗ ΕΡΓΟΣΤΑΣΙΑΚΗ ΡΥΘΜΙΣΗ (Εικ. Ι)

**ΣΗΜΕΙΩΣΗ:** Η ηχητική ένδειξη θα ηχήσει μια φορά κατά την εκκίνηση της επαναφοράς και άλλη μία μόλις αυτή ολοκληρωθεί.

**ΣΗΜΕΙΩΣΗ:** Εφόσον η επαναφορά είναι επιτυχής, οι παρακάτω ρυθμίσεις θα επιστρέψουν στην αρχική εργοστασιακή ρύθμιση:

- λειτουργία οδήγησης
- ταχύτητα οδήγησης
- βαθμονόμηση τιμονιού

## ΑΠΟΘΗΚΕΥΣΗ ΚΑΙ ΜΕΤΑΦΟΡΑ

### ΜΕΤΑΦΟΡΑ ΤΟΥ ΧΛΟΟΚΟΠΤΙΚΟΥ (Εικ. J1 – J5)

**ΣΗΜΕΙΩΣΗ:** Ασφαλίστε το χλοοκοπτικό, εφόσον απαιτηθεί, χρησιμοποιώντας ιμάντες ή καλώδια, προκειμένου να αποτραπεί η κίνηση κατά τη μεταφορά.

### ΑΠΟΘΗΚΕΥΣΗ (Εικ. K1 – K2)

**ΣΗΜΕΙΩΣΗ:** Απομακρύνετε τις συστοιχίες μπαταριών και ανατρέξτε στα αντίστοιχα εγχειρίδια για την αποθήκευσή τους.

Καθαρίζετε και ελέγχετε το χλοοκοπτικό πριν την αποθήκευση, βλ. ενότητες «**ΚΑΘΑΡΙΣΜΟΣ ΤΟΥ ΧΛΟΟΚΟΠΤΙΚΟΥ**» και «**ΠΡΟΤΕΙΝΟΜΕΝΑ ΠΡΟΓΡΑΜΜΑΤΑ ΣΥΝΤΗΡΗΣΗΣ**».

### Προστασία του περιβάλλοντος




ΑΗΗΕ (Απόβλητα ειδών ηλεκτρικού και ηλεκτρονικού εξοπλισμού) – Μην απορρίπτετε ηλεκτρικό εξοπλισμό, παλιές μπαταρίες και φορτιστές στα οικιακά απορρίμματα! Μεταφέρετε αυτό το προϊόν σε εξουσιοδοτημένο κέντρο ανακύκλωσης και διαθέστε το για ξεχωριστή συλλογή. Τα ηλεκτρικά εργαλεία πρέπει να επιστρέφονται σε περιβαλλοντικά συμβατή μονάδα ανακύκλωσης.

## ΑΝΤΙΜΕΤΩΠΙΣΗ ΠΡΟΒΛΗΜΑΤΩΝ

ΠΡΟΒΛΗΜΑ	ΑΙΤΙΑ	ΑΝΤΙΜΕΤΩΠΙΣΗ
<p>Το χλοοκοπτικό τρακτέρ επιτόπιας περιστροφής δεν κινείται όταν πατιέται το γκαζί.</p>	<ul style="list-style-type: none"> <li>Ο συνδυασμός Ah των τοποθετημένων μπαταριών δεν ανταποκρίνεται στις προδιαγραφές.</li> </ul>	<ul style="list-style-type: none"> <li>Για να εκκινήσετε αυτό το χλοοκοπτικό, χρησιμοποιήστε επαρκείς μπαταρίες EGO, ακολουθώντας τις οδηγίες στην ενότητα «ΠΡΟΣΑΡΤΗΣΗ/ΑΠΟΜΑΚΡΥΝΣΗ ΤΗΣ ΣΥΣΤΟΙΧΙΑΣ ΜΠΑΤΑΡΙΩΝ» σε αυτό το εγχειρίδιο.</li> </ul>
	<ul style="list-style-type: none"> <li>Το πεντάλ φρένου στάθμευσης είναι ρυθμισμένο στη θέση πέδησης.</li> </ul>	<ul style="list-style-type: none"> <li>Πατήστε το πεντάλ φρένου στάθμευσης μέχρι τέρμα για να το αποδεσμεύσετε από τη θέση πέδησης.</li> </ul>
	<ul style="list-style-type: none"> <li>Το αριστερό και το δεξί χειριστήριο αλλαγής ταχυτήτων στο τιμόνι δεν τραβιούνται στιγμιαία προς το χειριστή, ώστε η ένδειξη κατάστασης του χλοοκοπτικού να ανάψει πράσινη κατά την εκκίνηση.</li> </ul>	<ul style="list-style-type: none"> <li>Τραβήξτε ταυτόχρονα προς το χειριστή ΚΑΙ ΤΑ ΔΥΟ χειριστήρια αλλαγής ταχυτήτων στο τιμόνι αριστερά και δεξιά και, στη συνέχεια, αποδεσμεύστε. Η ένδειξη κατάστασης του χλοοκοπτικού θα ανάψει πράσινη, οπότε το χλοοκοπτικό είναι έτοιμο για χρήση.</li> </ul>
	<ul style="list-style-type: none"> <li>Ο χειριστής δεν κάθεται στο κάθισμα.</li> </ul>	<ul style="list-style-type: none"> <li>Μόνο εφόσον ο χειριστής κάθεται σωστά στο κάθισμα μπορεί να χειριστεί το χλοοκοπτικό.</li> </ul>
	<ul style="list-style-type: none"> <li>Ο διακόπτης καθίσματος δεν έχει συνδεθεί σωστά.</li> </ul>	<ul style="list-style-type: none"> <li>Αφαιρέστε την μπαταρία από το χλοοκοπτικό και αποσυναρμολογήστε το κάθισμα με την αντίστροφη σειρά από εκείνη που αναφέρεται στην ενότητα «<b>ΤΟΠΟΘΕΤΗΣΗ ΚΑΘΙΣΜΑΤΟΣ</b>» του παρόντος εγχειριδίου και βεβαιωθείτε ότι το φινι είναι καλά συνδεδεμένο στην πρίζα στο κάτω μέρος του καθίσματος. Επανασυναρμολογήστε το κάθισμα και ακολουθήστε τις οδηγίες της ενότητας «<b>ΘΕΣΗ ΤΟΥ ΧΛΟΟΚΟΠΤΙΚΟΥ ΣΕ ΛΕΙΤΟΥΡΓΙΑ</b>» για να επανεκκινήσετε το χλοοκοπτικό και να δείτε εάν μπορεί να τεθεί σε λειτουργία. Στην αντίθετη περίπτωση, επικοινωνήστε με εξειδικευμένο τεχνικό σέρβις για επισκευή.</li> </ul>
	<ul style="list-style-type: none"> <li>Υπό ακραία ψυχρές καιρικές συνθήκες η λειτουργία οδήγησης μπορεί να μην ενεργοποιηθεί λόγω της προστασίας από χαμηλές θερμοκρασίες.</li> </ul>	<ul style="list-style-type: none"> <li>Αποθηκεύετε πάντα το χλοοκοπτικό και την μπαταρία σε θερμό περιβάλλον. Επανεκκινήστε το χλοοκοπτικό μόλις ζεσταθεί. Μην κάνετε επαναλαμβανόμενες απόπειρες υπό ακραία ψυχρές καιρικές συνθήκες διότι έτσι μπορεί να προκληθεί ζημιά στη μηχανή.</li> </ul>
	<ul style="list-style-type: none"> <li>Η διαδρομή κίνησης του γκαζιού είναι φραγμένη με υπολείμματα.</li> </ul>	<ul style="list-style-type: none"> <li>Απομακρύνετε τυχόν υπολείμματα.</li> </ul>
	<ul style="list-style-type: none"> <li>Βλάβη μηχανικών ή ηλεκτρονικών εξαρτημάτων του γκαζιού.</li> </ul>	<ul style="list-style-type: none"> <li>Επικοινωνήστε με εξειδικευμένο τεχνικό σέρβις για επισκευή.</li> </ul>

GR

ΠΡΟΒΛΗΜΑ	ΑΙΤΙΑ	ΑΝΤΙΜΕΤΩΠΙΣΗ
Το χλοοκοπτικό τρακτέρ επιτόπιας περιστροφής ακινητοποιείται.	<ul style="list-style-type: none"> <li>Το αριστερό/δεξιό χειριστήριο αλλαγής ταχυτήτων στο τιμόνι απαιτεί «επαναφορά».</li> </ul>	<ul style="list-style-type: none"> <li>Τραβήξτε προς το χειριστή τα χειριστήρια αλλαγής ταχυτήτων στο τιμόνι αριστερά/δεξιά και αποδεσμεύστε. Το χλοοκοπτικό είναι έτοιμο για χρήση μόλις η ένδειξη κατάστασης ανάψει πράσινη.</li> </ul>
	<ul style="list-style-type: none"> <li>Βλάβη ηλεκτρονικών εξαρτημάτων του γκαζιού.</li> </ul>	<ul style="list-style-type: none"> <li>Επικοινωνήστε με εξειδικευμένο τεχνικό σέρβις για επισκευή.</li> </ul>
	<ul style="list-style-type: none"> <li>Το προστατευτικό σύστημα αλληλασφάλισης καθίσματος έχει αποσυνδεθεί κατά την οδήγηση σε ανώμαλο έδαφος.</li> </ul>	<ul style="list-style-type: none"> <li>Αφαιρέστε την μπαταρία από το χλοοκοπτικό και αποσυναρμολογήστε το κάθισμα με την αντίστροφη σειρά από εκείνη που αναφέρεται στην ενότητα «<b>ΤΟΠΟΘΕΤΗΣΗ ΚΑΘΙΣΜΑΤΟΣ</b>» του παρόντος εγχειριδίου και βεβαιωθείτε ότι το φινιρίσμα είναι καλά συνδεδεμένο στην πρίζα στο κάτω μέρος του καθίσματος. Επανασυναρμολογήστε το κάθισμα και ακολουθήστε τις οδηγίες της ενότητας «<b>ΘΕΣΗ ΤΟΥ ΧΛΟΟΚΟΠΤΙΚΟΥ ΣΕ ΛΕΙΤΟΥΡΓΙΑ</b>» για να επανεκκινήσετε το χλοοκοπτικό και να δείτε εάν μπορεί να τεθεί σε λειτουργία. Στην αντίθετη περίπτωση, επικοινωνήστε με εξειδικευμένο τεχνικό σέρβις για επισκευή.</li> </ul>
	<ul style="list-style-type: none"> <li>Το βάρος του χειριστή δεν κατανέμεται ομοιόμορφα στο κάθισμα. Το βάρος του χειριστή στο κάθισμα πρέπει να είναι τουλάχιστον 20 kg για να λειτουργεί σωστά το προστατευτικό σύστημα αλληλασφάλισης καθίσματος</li> </ul>	<ul style="list-style-type: none"> <li>Καθίστε σωστά στο κάθισμα, τραβήξτε το αριστερό/δεξιό χειριστήριο αλλαγής ταχυτήτων στο τιμόνι ή και τα δύο χειριστήρια αλλαγής ταχυτήτων στο τιμόνι προς το χειριστή και αποδεσμεύστε. Στη συνέχεια, το χλοοκοπτικό θα είναι έτοιμο για οδήγηση.</li> <li>Αφαιρέστε και επανατοποθετήστε τη συστοιχία μπαταριών, εφόσον απαιτηθεί.</li> </ul>
	<ul style="list-style-type: none"> <li>Το πεντάλ φρένου στάθμευσης πατιέται για να επιβραδύνει την ταχύτητα οδήγησης. Εάν πατηθεί το πεντάλ φρένου στάθμευσης αρκετά, ωστόσο όχι μέχρι τη θέση στάθμευσης, το χλοοκοπτικό θα ακινητοποιηθεί.</li> </ul>	<ul style="list-style-type: none"> <li>Ακολουθήστε τις οδηγίες της ενότητας «<b>ΘΕΣΗ ΤΟΥ ΧΛΟΟΚΟΠΤΙΚΟΥ ΣΕ ΛΕΙΤΟΥΡΓΙΑ</b>» για να επανεκκινήσετε το χλοοκοπτικό.</li> </ul>
<p>Η λειτουργία οδήγησης δεν επιδέχεται ρύθμιση κατά τη διάρκεια της οδήγησης.</p>	<ul style="list-style-type: none"> <li>Πρόκειται για ένα χαρακτηριστικό του χλοοκοπτικού τρακτέρ επιτόπιας περιστροφής για ασφαλή οδήγηση.</li> </ul>	<ul style="list-style-type: none"> <li>Η λειτουργία θα ενεργοποιηθεί μόνο εφόσον ακινητοποιηθούν οι τροχοί του χλοοκοπτικού.</li> </ul>

ΠΡΟΒΛΗΜΑ	ΑΙΤΙΑ	ΑΝΤΙΜΕΤΩΠΙΣΗ
<p>Το χλοοκοπτικό τρακτέρ επιτόπιας περιστροφής δεν κινεί τις λεπίδες όταν είναι ενεργοποιημένος ο διακόπτης ΡΤΟ.</p>  <p>Το εικονίδιο του διακόπτη ΡΤΟ αναβοσβήνει</p>	<ul style="list-style-type: none"> <li>Ο συνδυασμός Ah των τοποθετημένων μπαταριών δεν ανταποκρίνεται στις προδιαγραφές.</li> </ul>	<ul style="list-style-type: none"> <li>Για να εκκινήσετε αυτό το χλοοκοπτικό, χρησιμοποιήστε επαρκείς μπαταρίες EGO, ακολουθώντας τις οδηγίες στην ενότητα «ΠΡΟΣΑΡΤΗΣΗ/ΑΠΟΜΑΚΡΥΝΣΗ ΤΗΣ ΣΥΣΤΟΙΧΙΑΣ ΜΠΑΤΑΡΙΩΝ» σε αυτό το εγχειρίδιο.</li> </ul>
	<ul style="list-style-type: none"> <li>Ο διακόπτης ΡΤΟ δεν ωθήθηκε προς τα κάτω κατά την τελευταία απενεργοποίηση του χλοοκοπτικού.</li> </ul>	<ul style="list-style-type: none"> <li>Πιέστε το διακόπτη ΡΤΟ προς τα κάτω και, στη συνέχεια, προς τα πάνω για να επανεκκινήσετε τους κινητήρες λεπίδων.</li> </ul>
	<ul style="list-style-type: none"> <li>Το χλοοκοπτικό είναι υπερφορτωμένο τη στιγμή που οι λεπίδες αρχίζουν να περιστρέφονται, ενεργοποιώντας την αυτοπροστασία κινητήρα.</li> </ul>	<ul style="list-style-type: none"> <li>Εκκινήστε την κοπή γρασιδιού με το χλοοκοπτικό πρώτα σε χαμηλή ταχύτητα λεπίδων και επιταχύνετε μόνο εφόσον οι λεπίδες περιστρέφονται απρόσκοπτα.</li> </ul>
	<ul style="list-style-type: none"> <li>Υπό ακραία ψυχρές καιρικές συνθήκες ο κινητήρας λεπίδων μπορεί να μην ενεργοποιηθεί λόγω της προστασίας από χαμηλές θερμοκρασίες.</li> </ul>	<ul style="list-style-type: none"> <li>Αποθηκεύετε πάντα το χλοοκοπτικό και την μπαταρία σε θερμό περιβάλλον. Επανεκκινήστε το χλοοκοπτικό μόλις ζεσταθεί. Μην κάνετε επαναλαμβανόμενες απόπειρες υπό ακραία ψυχρές καιρικές συνθήκες διότι έτσι μπορεί να προκληθεί ζημιά στη μηχανή.</li> </ul>
	<ul style="list-style-type: none"> <li>Η λεπίδα παρεμβαίνει στο παραμορφωμένο πλαίσιο κοπής του χλοοκοπτικού</li> </ul>	<ul style="list-style-type: none"> <li>Επικοινωνήστε με κέντρο εξυπηρέτησης πελατών της EGO.</li> </ul>
	<ul style="list-style-type: none"> <li>Το χλοοκοπτικό κινείται με ταχύτητα «TRAVEL».</li> </ul>	<ul style="list-style-type: none"> <li>Όταν το χλοοκοπτικό κινείται με ταχύτητα «TRAVEL», οι κινητήρες λεπίδων ακινητοποιούνται αυτόματα.</li> </ul>



ΠΡΟΒΛΗΜΑ	ΑΙΤΙΑ	ΑΝΤΙΜΕΤΩΠΙΣΗ
Οι λεπίδες σταματούν να λειτουργούν κατά τη διάρκεια της κοπής γρασιδιού.	<ul style="list-style-type: none"> <li>Το χλοοκοπτικό έχει υπερφορτωθεί.</li> </ul>	<ul style="list-style-type: none"> <li>Αυξήστε το ύψος κοπής του πλαισίου κοπής ή μειώστε την ταχύτητα οδήγησης για να μειώσετε το φορτίο του χλοοκοπτικού.</li> </ul>
	<ul style="list-style-type: none"> <li>Το πλαίσιο κοπής του χλοοκοπτικού έχει φράξει με γρασίδι και υπολείμματα.</li> </ul>	<ul style="list-style-type: none"> <li>Καθαρίστε το πλαίσιο κοπής του χλοοκοπτικού και βεβαιωθείτε ότι οι λεπίδες κινούνται ελεύθερα.</li> </ul>
	<ul style="list-style-type: none"> <li>Το χλοοκοπτικό έχει υπερθερμανθεί.</li> </ul>	<ul style="list-style-type: none"> <li>Μειώστε το φορτίο του χλοοκοπτικού, αυξάνοντας το ύψος κοπής του πλαισίου κοπής ή μειώνοντας την ταχύτητα της λεπίδας / την ταχύτητα οδήγησης και αφήστε το χλοοκοπτικό να κρυώσει.</li> </ul>
	<ul style="list-style-type: none"> <li>Η/Οι συστοιχία/ες μπαταριών στη θήκη μπαταριών του χλοοκοπτικού έχει/έχουν υπερθερμανθεί, με αποτέλεσμα η συνδυαζόμενη τιμή Ah όλων των τοποθετημένων μπαταριών να μην ανταποκρίνεται στις προδιαγραφές.</li> </ul>	<ol style="list-style-type: none"> <li>Το χλοοκοπτικό μπορεί να συνεχίσει να λειτουργεί εάν η συνδυαζόμενη τιμή μπαταρίας Ah, εκτός της υπερθερμασμένης μπαταρίας, ανταποκρίνεται στις προδιαγραφές. Μόλις η υπερθερμασμένη μπαταρία επιστρέψει σε φυσιολογική θερμοκρασία, θα συμμετάσχει αμέσως στην παροχή ισχύος στο χλοοκοπτικό.</li> </ol>
		<ol style="list-style-type: none"> <li>Εάν η συνδυαζόμενη τιμή μπαταρίας Ah δεν ανταποκρίνεται στις προδιαγραφές, το χλοοκοπτικό δεν θα λειτουργήσει εάν δεν τοποθετηθούν περισσότερες συστοιχίες μπαταριών στις άδειες θήκες μπαταριών.</li> </ol>
		<ol style="list-style-type: none"> <li>Μειώστε το φορτίο του χλοοκοπτικού, αυξάνοντας το ύψος κοπής του πλαισίου κοπής ή μειώνοντας την ταχύτητα κοπής κατά τη συνέχιση λειτουργίας.</li> </ol>
	<ul style="list-style-type: none"> <li>Το χλοοκοπτικό βρίσκεται σε λειτουργία έκτακτης ανάγκης.</li> </ul>	<ul style="list-style-type: none"> <li>Όταν το χλοοκοπτικό βρίσκεται στη λειτουργία έκτακτης ανάγκης, οι λεπίδες μεταβαίνουν αυτόματα στη χαμηλή ταχύτητα περιστροφής. Ο χειριστής πρέπει να σταματήσει την εργασία και να μετακινηθεί το συντομότερο δυνατό στο χώρο φόρτισης μπαταρίας.</li> </ul>
	<ul style="list-style-type: none"> <li>Το χλοοκοπτικό χτύπησε ξένο αντικείμενο, με αποτέλεσμα την ενεργοποίηση της αυτοπροστασίας κινητήρα.</li> </ul>	<ul style="list-style-type: none"> <li>Πιέστε το διακόπτη PTO προς τα κάτω και, στη συνέχεια, προς τα πάνω για να επανεκκινήσετε τους κινητήρες λεπίδων.</li> </ul>
<ul style="list-style-type: none"> <li>Η ταχύτητα του χλοοκοπτικού έχει ρυθμιστεί στη λειτουργία «TRAVEL».</li> </ul>	<ul style="list-style-type: none"> <li>Όταν η ταχύτητα του χλοοκοπτικού βρίσκεται στη λειτουργία «TRAVEL», οι κινητήρες λεπίδων σταματούν αυτόματα.</li> </ul>	

ΠΡΟΒΛΗΜΑ	ΑΙΤΙΑ	ΑΝΤΙΜΕΤΩΠΙΣΗ
Η ηχητική ένδειξη εξακολουθεί να ηχεί.	<ul style="list-style-type: none"> <li>Το χλοοκοπτικό βρίσκεται σε λειτουργία έκτακτης ανάγκης και οι λεπίδες δεν απενεργοποιούνται.</li> </ul>	<ul style="list-style-type: none"> <li>Πιέστε το διακόπτη ΡΤΟ προς τα κάτω για να απενεργοποιήσετε τους κινητήρες λεπίδων. Η ηχητική ένδειξη θα σταματήσει να ηχεί μόλις απενεργοποιηθούν οι κινητήρες λεπίδων.</li> </ul>
	<ul style="list-style-type: none"> <li>Το χλοοκοπτικό παύει να κινείται σε πλαγιά και ο χειριστής δεν βρίσκεται στο κάθισμα για να θέσει το πεντάλ φρένου στάθμευσης στη θέση πέδησης.</li> </ul>	<ul style="list-style-type: none"> <li>Ρυθμίστε το πεντάλ φρένου στάθμευσης στη θέση πέδησης προτού αφήσετε το χλοοκοπτικό στην πλαγιά.</li> </ul>
Οι ενδείξεις μπαταρίας εξακολουθούν να είναι αναμμένες όταν το χλοοκοπτικό είναι απενεργοποιημένο.	<ul style="list-style-type: none"> <li>Εάν το χλοοκοπτικό απενεργοποιηθεί σε επίπεδο έδαφος, χωρίς την αφαίρεση της/των συστοιχίας/συστοιχιών μπαταριών από το χλοοκοπτικό, οι ενδείξεις μπαταρίας, το κουμπί ενεργοποίησης/απενεργοποίησης και το κουμπί CCS θα παραμείνουν αναμμένα για ένα χρονικό διάστημα.</li> </ul>	<ul style="list-style-type: none"> <li>Δεν απαιτείται καμία ενέργεια. Οι ενδείξεις μπαταρίας θα σβήσουν, μόλις το χλοοκοπτικό απενεργοποιηθεί μετά από ένα χρονικό διάστημα. Ανατρέξτε στην ενότητα «<b>ΑΠΕΝΕΡΓΟΠΟΙΗΣΗ ΤΟΥ ΧΛΟΟΚΟΠΤΙΚΟΥ</b>» για συγκεκριμένο χρόνο.</li> </ul>
	<ul style="list-style-type: none"> <li>Όταν το χλοοκοπτικό απενεργοποιηθεί σε πλαγιά χωρίς να ρυθμιστεί το φρένο στάθμευσης στη θέση πέδησης, οι ενδείξεις μπαταρίας θα παραμείνουν ενεργές μέχρι να αδειάσει η μπαταρία. Η ηχητική ένδειξη εξακολουθεί να ηχεί ταυτόχρονα.</li> </ul>	<ul style="list-style-type: none"> <li>Ρυθμίστε το πεντάλ φρένου στάθμευσης στη θέση πέδησης προτού αφήσετε το χλοοκοπτικό στην πλαγιά.</li> </ul>
Η οθόνη LCD δεν ανάβει με όλα τα εικονίδια.	<ul style="list-style-type: none"> <li>Το κουμπί ενεργοποίησης/απενεργοποίησης έχει πατηθεί για επαρκή χρόνο.</li> </ul>	<ul style="list-style-type: none"> <li>Η οθόνη LCD θα προβάλλει μόνο το «δείκτη στάθμης καυσίμου» εάν πατηθεί στιγμιαία το κουμπί ενεργοποίησης/απενεργοποίησης.</li> </ul>
		<ul style="list-style-type: none"> <li>Η οθόνη LCD ανάβει μόλις πατηθεί το κουμπί ενεργοποίησης/απενεργοποίησης για επαρκή χρόνο.</li> </ul>

GR



ΠΡΟΒΛΗΜΑ	ΑΙΤΙΑ	ΑΝΤΙΜΕΤΩΠΙΣΗ
Το χλοοκοπτικό κόβει ανομοιόμορφα με σημαντική διαφορά ύψους μπροστά και πίσω.	<ul style="list-style-type: none"> <li>Οι λεπίδες είναι στομωμένες.</li> </ul>	<ul style="list-style-type: none"> <li>Τροχήστε ή αντικαταστήστε τη λεπίδα κοπής σύμφωνα με το παρόν εγχειρίδιο.</li> </ul>
	<ul style="list-style-type: none"> <li>Οι λεπίδες είναι λυγισμένες.</li> </ul>	<ul style="list-style-type: none"> <li>Αντικαταστήστε τη λυγισμένη λεπίδα κοπής σύμφωνα με τις οδηγίες στην ενότητα «<b>ΑΝΤΙΚΑΤΑΣΤΑΣΗ ΤΩΝ ΛΕΠΙΔΩΝ ΚΟΠΗΣ</b>».</li> </ul>
	<ul style="list-style-type: none"> <li>Το πλαίσιο κοπής του χλοοκοπτικού δεν είναι επιπεδωμένο, με αποτέλεσμα διαφορετικά ύψη των λεπίδων κοπής.</li> </ul>	<ul style="list-style-type: none"> <li>Αλφαδιάστε το πλαίσιο κοπής του χλοοκοπτικού σύμφωνα με τις οδηγίες στην ενότητα «<b>ΑΛΦΑΔΙΑΣΜΑ ΠΛΑΙΣΙΟΥ ΚΟΠΗΣ ΤΟΥ ΧΛΟΟΚΟΠΤΙΚΟΥ</b>».</li> </ul>
Το πραγματικό ύψος κοπής γρασιδιού δεν είναι το ζητούμενο.	<ul style="list-style-type: none"> <li>Τα παξιμάδια του πλαισίου κοπής του χλοοκοπτικού έχουν λασκάρει στο σύνδεσμο ανάρτησης</li> </ul>	<ul style="list-style-type: none"> <li>Ακολουθήστε τις οδηγίες στην ενότητα «<b>ΑΛΦΑΔΙΑΣΜΑ ΠΛΑΙΣΙΟΥ ΚΟΠΗΣ ΤΟΥ ΧΛΟΟΚΟΠΤΙΚΟΥ</b>» για να πραγματοποιήσετε σωστή ρύθμιση του πλαισίου κοπής του χλοοκοπτικού από εμπρός προς τα πίσω και να συσφίξετε καλά τα παξιμάδια στο σύνδεσμο ανάρτησης.</li> </ul>
	<ul style="list-style-type: none"> <li>Το πλαίσιο κοπής του χλοοκοπτικού έχει υποστεί ζημιά ή σοβαρή φθορά.</li> </ul>	<ul style="list-style-type: none"> <li>Ακολουθήστε τις οδηγίες στην ενότητα «<b>ΑΦΑΙΡΕΣΗ ΤΟΥ ΠΛΑΙΣΙΟΥ ΚΟΠΗΣ ΤΟΥ ΧΛΟΟΚΟΠΤΙΚΟΥ</b>» για την αντικατάσταση του πλαισίου κοπής του χλοοκοπτικού.</li> </ul>
Το χλοοκοπτικό δεν πραγματοποιεί σωστή κάλυψη εδάφους.	<ul style="list-style-type: none"> <li>Υγρό κομμένο γρασίδι κολλάει στο κάτω μέρος του πλαισίου κοπής.</li> </ul>	<ul style="list-style-type: none"> <li>Περιμένετε να στεγνώσει το γρασίδι προτού το κόψετε.</li> </ul>
	<ul style="list-style-type: none"> <li>Το χλοοκοπτικό έχει ρυθμιστεί να κόβει υπερβολικά πολύ γρασίδι μονομιάς.</li> </ul>	<ul style="list-style-type: none"> <li>Αυξήστε το ύψος κοπής του πλαισίου κοπής.</li> </ul>

ΠΡΟΒΛΗΜΑ	ΑΙΤΙΑ	ΑΝΤΙΜΕΤΩΠΙΣΗ
Υπερβολικοί κραδασμοί.	<ul style="list-style-type: none"> <li>Οι λεπίδες κοπής είναι χαλαρές.</li> </ul>	<ul style="list-style-type: none"> <li>Συσφίξτε το μπουλόνι λεπίδας με την προτεινόμενη ροπή σύσφιξης.</li> </ul>
	<ul style="list-style-type: none"> <li>Οι λεπίδες είναι λυγισμένες.</li> </ul>	<ul style="list-style-type: none"> <li>Αντικαταστήστε τη λυγισμένη λεπίδα κοπής σύμφωνα με τις οδηγίες στην ενότητα «<b>ΑΝΤΙΚΑΤΑΣΤΑΣΗ ΤΩΝ ΛΕΠΙΔΩΝ ΚΟΠΗΣ</b>».</li> </ul>
	<ul style="list-style-type: none"> <li>Το πλαίσιο κοπής του χλοοκοπτικού δεν είναι επιπεδωμένο.</li> </ul>	<ul style="list-style-type: none"> <li>Αλφαδιάστε το πλαίσιο κοπής του χλοοκοπτικού σύμφωνα με τις οδηγίες στην ενότητα «<b>ΑΛΦΑΔΙΑΣΜΑ ΠΛΑΙΣΙΟΥ ΚΟΠΗΣ ΤΟΥ ΧΛΟΟΚΟΠΤΙΚΟΥ</b>».</li> </ul>
	<ul style="list-style-type: none"> <li>Τα παξιμάδια του πλαισίου κοπής του χλοοκοπτικού έχουν λασκάρει στο σύνδεσμο ανάρτησης.</li> </ul>	<ul style="list-style-type: none"> <li>Σφίξτε τα παξιμάδια στο σύνδεσμο ανάρτησης.</li> </ul>
	<ul style="list-style-type: none"> <li>Το χλοοκοπτικό έχει ρυθμιστεί να κόβει υπερβολικά πολύ γρασίδι μονομιάς.</li> </ul>	<ul style="list-style-type: none"> <li>Αυξήστε το ύψος κοπής του πλαισίου κοπής.</li> </ul>
Απομένουν γρασίδια ή υπολείμματα στο έδαφος μετά την κοπή.	<ul style="list-style-type: none"> <li>Το χλοοκοπτικό έχει ρυθμιστεί να κόβει υπερβολικά πολύ γρασίδι μονομιάς όταν το γρασίδι είναι ψηλό.</li> </ul>	<ul style="list-style-type: none"> <li>Ξεκινήστε με μεγάλο ύψος κοπής και μειώστε το ώσπου να επιτευχθεί το επιθυμητό αποτέλεσμα κοπής. Γρασίδι με ύψος πάνω από 152 mm πρέπει να κόβεται δύο φορές, με διαδοχικά χαμηλότερα ύψη κοπής.</li> </ul>
	<ul style="list-style-type: none"> <li>Το γρασίδι είναι υγρό.</li> </ul>	<ul style="list-style-type: none"> <li>Μην κόβετε το γρασίδι όταν είναι υγρό – περιμένετε να στεγνώσει.</li> </ul>
	<ul style="list-style-type: none"> <li>Η ταχύτητα οδήγησης είναι υψηλή.</li> </ul>	<ul style="list-style-type: none"> <li>Μειώστε την ταχύτητα οδήγησης.</li> </ul>
	<ul style="list-style-type: none"> <li>Η ταχύτητα λεπίδας είναι χαμηλή.</li> </ul>	<ul style="list-style-type: none"> <li>Αυξήστε σταδιακά την ταχύτητα λεπίδων.</li> </ul>
GR Σύντομος χρόνος λειτουργίας του χλοοκοπτικού με την μπαταρία που περιλαμβάνεται.	<ul style="list-style-type: none"> <li>Το γκαζόν, οι συνθήκες γρασιδιού, η ρύθμιση ύψους κοπής, η ταχύτητα οδήγησης, η ταχύτητα λεπίδων, κτλ. επηρεάζουν σημαντικά το χρόνο λειτουργίας.</li> </ul>	<ul style="list-style-type: none"> <li>Αυξήστε το ύψος κοπής του πλαισίου κοπής και μειώστε την ταχύτητα λεπίδων για να μειώσετε το φορτίο κοπής.</li> </ul>
Το χλοοκοπτικό δεν ακολουθεί ίσια διαδρομή.	<ul style="list-style-type: none"> <li>Οι πιέσεις ελαστικών στον αριστερό και δεξιό πίσω τροχό είναι διαφορετικές.</li> </ul>	<ul style="list-style-type: none"> <li>Ελέγχετε και ρυθμίζετε την πίεση αέρα και στα δύο ελαστικά των πίσω τροχών, σύμφωνα με την ενότητα «<b>ΤΕΧΝΙΚΕΣ ΠΡΟΔΙΑΓΡΑΦΕΣ</b>».</li> </ul>
	<ul style="list-style-type: none"> <li>Η ταχύτητα οδήγησης στον αριστερό και δεξιό πίσω τροχό είναι διαφορετικές.</li> </ul>	<ul style="list-style-type: none"> <li>Βαθμονομήστε το τιμόνι σύμφωνα με τις οδηγίες της ενότητας «<b>ΒΑΘΜΟΝΟΜΗΣΗ ΤΟΥ ΣΥΣΤΗΜΑΤΟΣ ΠΑΡΑΚΟΛΟΥΘΗΣΗΣ ΤΟΥ ΧΛΟΟΚΟΠΤΙΚΟΥ</b>».</li> </ul>

ΠΡΟΒΛΗΜΑ	ΑΙΤΙΑ	ΑΝΤΙΜΕΤΩΠΙΣΗ
Το πεντάλ φρένου στάθμευσης δεν αποδεσμεύεται από τη θέση πέδησης ή επανέρχεται αργά.	<ul style="list-style-type: none"> <li>Ενδέχεται να υπάρχουν υπολείμματα ή ρύποι στο πεντάλ φρένου στάθμευσης.</li> </ul>	<ul style="list-style-type: none"> <li>Ανοίξτε το κουτί του πεντάλ φρένου στάθμευσης για να το καθαρίσετε σχολαστικά από μέσα και μετά κλείστε το. Επαναφέρετε το πεντάλ φρένου στάθμευσης, για να ελέγξετε εάν το πρόβλημα έχει αποκατασταθεί. Στην αντίθετη περίπτωση, επικοινωνήστε με εξειδικευμένο τεχνικό σέρβις για επίσκευή.</li> </ul>
Το χλοοκοπτικό δεν μπορεί να φορτιστεί μέσω της θύρας φόρτισης, εάν η ένδειξη κατάστασης του χλοοκοπτικού είναι σταθερά αναμμένη κόκκινη.	<ul style="list-style-type: none"> <li>Το φως του φορτιστή δεν έχει συνδεθεί σωστά στη θύρα φόρτισης του χλοοκοπτικού.</li> </ul>	<ul style="list-style-type: none"> <li>Επανασυνδέστε το φως του φορτιστή για να δείτε εάν το χλοοκοπτικό φορτίζεται φυσιολογικά.</li> </ul>
	<ul style="list-style-type: none"> <li>Δεν υπάρχει ρεύμα στις επίτοιχες πρίζες.</li> </ul>	<ul style="list-style-type: none"> <li>Δεν απαιτείται καμία ενέργεια. Περιμένετε ώσπου να ανακτηθεί η ισχύς.</li> </ul>
	<ul style="list-style-type: none"> <li>Δυσλειτουργία φορτιστή.</li> </ul>	<ul style="list-style-type: none"> <li>Επικοινωνήστε με το κέντρο εξυπηρέτησης πελατών της EGO για επιθεώρηση και παραδώστε το φορτιστή για επισκευή, εφόσον απαιτηθεί.</li> </ul>
	<ul style="list-style-type: none"> <li>Η θύρα φόρτισης στο χλοοκοπτικό είναι ελαττωματική.</li> </ul>	<ul style="list-style-type: none"> <li>Επικοινωνήστε με κέντρο εξυπηρέτησης πελατών της EGO.</li> </ul>
Ο χρόνος φόρτισης μέσω της θύρας φόρτισης του χλοοκοπτικού είναι υπερβολικά μεγάλος.	<ul style="list-style-type: none"> <li>Η χρήση του προσαρμογέα ACA1000 της EGO για τη φόρτιση απαιτεί πολύ χρόνο.</li> </ul>	<ul style="list-style-type: none"> <li>Χρησιμοποιείτε το φορτιστή CHV1600E της EGO για την απευθείας φόρτιση του χλοοκοπτικού τρακτέρ επιτόπιας περιστροφής.</li> </ul>
Η μπαταρία δεν φορτίζει πλήρως μέσω της θύρας φόρτισης του χλοοκοπτικού.	<ul style="list-style-type: none"> <li>Σφάλμα υλικολογισμικού του χλοοκοπτικού ή της μπαταρίας, ή βλάβη φορτιστή.</li> </ul>	<ul style="list-style-type: none"> <li>Επαναφέρετε το φορτιστή αποσυνδέοντας τον και περιμένοντας τουλάχιστον μερικά λεπτά. Στη συνέχεια, συνδέστε ξανά το φως στην παροχή ρεύματος. Εάν αυτό δεν λύσει το πρόβλημα, επικοινωνήστε με το κέντρο εξυπηρέτησης πελατών της EGO.</li> </ul>
Το χλοοκοπτικό δεν ενεργοποιείται μετά τον καθαρισμό.	<ul style="list-style-type: none"> <li>Ακατάλληλος καθαρισμός, όπως διείσδυση νερού στα ηλεκτρικά στοιχεία, στην οθόνη LCD, κτλ.</li> </ul>	<ul style="list-style-type: none"> <li>Ακολουθήστε τις οδηγίες της ενότητας «<b>ΓΕΝΙΚΗ ΣΥΝΤΗΡΗΣΗ</b>», για το σωστό καθαρισμό του χλοοκοπτικού.</li> </ul>
		<ul style="list-style-type: none"> <li>Εάν το χλοοκοπτικό εκτεθεί τυχαία σε βροχή, αφήστε το να στεγνώσει στον αέρα ή χρησιμοποιήστε πεπιεσμένο αέρα για να το στεγνώσετε.</li> </ul>
Το πλαίσιο κοπής του χλοοκοπτικού φράζει γρήγορα.	<ul style="list-style-type: none"> <li>Η πλαίσιο κοπής του χλοοκοπτικού δεν έχει καθαριστεί σωστά μετά από προηγούμενη χρήση.</li> </ul>	<ul style="list-style-type: none"> <li>Καθαρίζετε το πλαίσιο κοπής του χλοοκοπτικού μετά από κάθε χρήση ακολουθώντας τις οδηγίες στην ενότητα «<b>ΧΡΗΣΗ ΘΥΡΑΣ ΠΛΥΣΗΣ ΓΙΑ ΤΟΝ ΚΑΘΑΡΙΣΜΟ ΤΟΥ ΠΛΑΙΣΙΟΥ ΚΟΠΗΣ ΤΟΥ ΧΛΟΟΚΟΠΤΙΚΟΥ</b>».</li> </ul>

ΠΡΟΒΛΗΜΑ	ΑΙΤΙΑ	ΑΝΤΙΜΕΤΩΠΙΣΗ
Το χλοοκοπτικό χάνει εύκολα την πρόσφυση κατά την αναρρίχηση σε πλαγιά.	<ul style="list-style-type: none"> <li>Τα ελαστικά των πίσω τροχών έχουν φθαρεί.</li> </ul>	<ul style="list-style-type: none"> <li>Αναζητήστε τοπικό αντιπρόσωπο σέρβις για την αντικατάσταση των ελαστικών των τροχών.</li> </ul>
	<ul style="list-style-type: none"> <li>Κοπή γρασιδιού σε απότομη πλαγιά.</li> </ul>	<ul style="list-style-type: none"> <li>Το χλοοκοπτικό δεν πρέπει να χρησιμοποιείται σε πλαγιές με κλίση πάνω από την απαιτούμενη.</li> </ul>
Όταν το χλοοκοπτικό ακινητοποιηθεί σε πλαγιά με πατημένο το πεντάλ φρένου στάθμευσης, το χλοοκοπτικό μπορεί να κατακυλήσει στην πλαγιά.	<ul style="list-style-type: none"> <li>Τα στοιχεία φρένων έχουν φθαρεί υπερβολικά λόγω ακατάλληλης χρήσης του χλοοκοπτικού.</li> </ul>	<ul style="list-style-type: none"> <li>Επικοινωνήστε με κέντρο εξυπηρέτησης πελατών της EGO για επισκευή.</li> </ul>
Δεν βγαίνει νερό από τη θύρα πλύσης όταν επιχειρείτε να πλύνετε το πλαίσιο κοπής.	<ul style="list-style-type: none"> <li>Ο ταχυσύνδεσμος θύρας πλύσης δεν έχει τοποθετηθεί σωστά πάνω στη θύρα πλύσης.</li> </ul>	<ul style="list-style-type: none"> <li>Τοποθετήστε εκ νέου τον ταχυσύνδεσμο θύρας πλύσης, ώσπου να ακούσετε καθαρά το «κλικ» μετά τη γερή ώθηση. Εάν αυτό δεν λύσει το πρόβλημα, επικοινωνήστε με το κέντρο εξυπηρέτησης πελατών της EGO.</li> </ul>
Ακούγονται αφύσικοι θόρυβοι κατά τη χειροκίνητη ώθηση του χλοοκοπτικού χωρίς εκκίνηση.	<ul style="list-style-type: none"> <li>Ο ήχος προέρχεται από τους μαγνήτες του κινητήρα.</li> </ul>	<ul style="list-style-type: none"> <li>Αυτό είναι φυσιολογικό και δεν απαιτείται καμία ενέργεια.</li> </ul>
Το τιμόνι δεν περιστρέφεται.	<ul style="list-style-type: none"> <li>Το συγκρότημα τιμονιού έχει φράξει με υπολείμματα.</li> </ul>	<ul style="list-style-type: none"> <li>Απομακρύνετε τυχόν υπολείμματα.</li> </ul>
Το χλοοκοπτικό δεν στρίβει αριστερά/δεξιά όταν περιστρέφεται το τιμόνι.	<ul style="list-style-type: none"> <li>Βλάβη ηλεκτρονικών ή μηχανικών στοιχείων.</li> </ul>	<ul style="list-style-type: none"> <li>Επικοινωνήστε με κέντρο εξυπηρέτησης πελατών της EGO για επισκευή.</li> </ul>
Το χλοοκοπτικό δεν ακινητοποιείται όταν αποδεσμεύετε το γκάζι.	<ul style="list-style-type: none"> <li>Η διαδρομή επιστροφής του γκαζιού είναι φραγμένη με υπολείμματα.</li> </ul>	<ul style="list-style-type: none"> <li>Απομακρύνετε τυχόν υπολείμματα.</li> </ul>
	<ul style="list-style-type: none"> <li>Το κουμπί CCS πατιέται ακούσια κατά την οδήγηση. Το χλοοκοπτικό βρίσκεται σε λειτουργία ελέγχου πορείας</li> </ul>	<ul style="list-style-type: none"> <li>Ελέγξτε εάν το εικονίδιο CCS είναι αναμμένο στην οθόνη LCD και βγείτε από το CCS, εφόσον απαιτηθεί. Ανατρέξτε στο κεφάλαιο «<b>ΧΡΗΣΗ ΣΥΣΤΗΜΑΤΟΣ ΕΛΕΓΧΟΥ ΠΟΡΕΙΑΣ (CCS)</b>»</li> </ul>
Η λειτουργία CCS δεν επιδέχεται ενεργοποίηση/ απενεργοποίηση.	<ul style="list-style-type: none"> <li>Το κουμπί CCS δεν πατιέται σωστά.</li> </ul>	<ul style="list-style-type: none"> <li>Πατήστε το κουμπί CCS ώσπου να ανάψει το εικονίδιο CCS στην οθόνη LCD ή να εξαφανιστεί από την οθόνη LCD.</li> </ul>

**GR**

ΠΡΟΒΛΗΜΑ	ΑΙΤΙΑ	ΑΝΤΙΜΕΤΩΠΙΣΗ
<p>Το χλοοκοπτικό δεν κινείται όπισθεν όταν το/τα αριστερό/δεξί χειριστήριο/χειριστήρια αλλαγής ταχυτήτων στο τιμόνι τραβιέται/τραβιούνται προς το χειριστή.</p>	<ul style="list-style-type: none"> <li>▪ Η ένδειξη κατάστασης του χλοοκοπτικού δεν είναι πράσινη και το χλοοκοπτικό δεν είναι έτοιμο για οδήγηση.</li> </ul>	<ul style="list-style-type: none"> <li>▪ Ακολουθήστε την ενότητα «ΘΕΣΗ ΤΟΥ ΧΛΟΟΚΟΠΤΙΚΟΥ ΣΕ ΛΕΙΤΟΥΡΓΙΑ» για να κάνετε την ένδειξη κατάστασης του χλοοκοπτικού να ανάψει πράσινη, προκειμένου το χλοοκοπτικό να είναι έτοιμο για οδήγηση.</li> </ul>
	<ul style="list-style-type: none"> <li>▪ Το/τα αριστερό/δεξί χειριστήριο/χειριστήρια αλλαγής ταχυτήτων στο τιμόνι δεν τραβιέται/τραβιούνται σωστά προς το χειριστή.</li> </ul>	<ul style="list-style-type: none"> <li>▪ Τραβήξτε το αριστερό ή το δεξί χειριστήριο αλλαγής ταχυτήτων στο τιμόνι ή και τα δύο χειριστήρια αλλαγής ταχυτήτων στο τιμόνι ταυτόχρονα προς το χειριστή ώσπου να ακουστεί ένα «κλικ».</li> </ul>
	<ul style="list-style-type: none"> <li>▪ Το αριστερό/δεξί χειριστήριο αλλαγής ταχυτήτων στο τιμόνι δεν διατηρείται τραβηγμένο προς το χειριστή.</li> </ul>	<ul style="list-style-type: none"> <li>▪ Για να οδηγήσετε με όπισθεν, τουλάχιστον ένα από τα χειριστήρια αλλαγής ταχυτήτων στο τιμόνι θα πρέπει να τραβηχτεί προς το χειριστή.</li> </ul>
	<ul style="list-style-type: none"> <li>▪ Το/τα αριστερό/δεξί χειριστήριο/χειριστήρια αλλαγής ταχυτήτων στο τιμόνι παρουσιάζει. παρουσιάζουν βλάβη.</li> </ul>	<ul style="list-style-type: none"> <li>▪ Επικοινωνήστε με εξειδικευμένο τεχνικό σέρβις για επισκευή.</li> </ul>

## ΑΝΑΦΟΡΑ ΚΑΤΑΣΤΑΣΗΣ ΚΑΙ ΚΩΔΙΚΟΙ ΒΛΑΒΗΣ ΧΛΟΟΚΟΠΤΙΚΟΥ

Οθόνη LCD	Περιγραφή	Κωδικός βλάβης στην οθόνη LCD	Ένδειξη κατάστασης χλοοκοπτικού	Βομβητής	Αιτία	Αντιμετώπιση
	Το εικονίδιο φώτων LED εμφανίζεται στην οθόνη LCD.	Δ/Υ	ΑΠΕΝΕΡΓΟ-ΠΟΙΗΜΕΝΗ	Όχι	Οι προβολείς, τα πλευρικά φώτα και τα πίσω φώτα ενεργοποιούνται από το διακόπτη φώτων LED.	Πρόκειται για φυσιολογική λειτουργία. Δεν απαιτείται καμία ενέργεια.
	Το εικονίδιο USB εμφανίζεται στην οθόνη LCD.	Δ/Υ	ΑΠΕΝΕΡΓΟ-ΠΟΙΗΜΕΝΗ	Όχι	Το εικονίδιο USB ανάβει και δείχνει ότι μια συσκευή USB μπορεί να λειτουργήσει αφότου εκκινηθεί σωστά το χλοοκοπτικό.	Πρόκειται για φυσιολογική λειτουργία. Δεν απαιτείται καμία ενέργεια.
	Το εικονίδιο του δείκτη στάθμης καυσίμου εμφανίζεται στην οθόνη LCD.	Δ/Υ	ΑΠΕΝΕΡΓΟ-ΠΟΙΗΜΕΝΗ	Όχι	Επισημαίνει την μέση ικανότητα φόρτισης των τοποθετημένων μπαταριών	Πρόκειται για φυσιολογική λειτουργία. Δεν απαιτείται καμία ενέργεια.
<b>GR</b> 	Το εικονίδιο του μετρητή ωρών εμφανίζεται στην οθόνη LCD.	Δ/Υ	ΑΠΕΝΕΡΓΟ-ΠΟΙΗΜΕΝΗ	Όχι	Δείχνει το συνολικό χρόνο οδήγησης του χλοοκοπτικού σε ώρες και δεν επιδέχεται μηδενισμό.	Πρόκειται για φυσιολογική λειτουργία. Δεν απαιτείται καμία ενέργεια.
	Το εικονίδιο του δείκτη φορτίου προβάλλεται στο εύρος ECO.	Δ/Υ	ΑΠΕΝΕΡΓΟ-ΠΟΙΗΜΕΝΗ	Όχι	Υποδεικνύει το τρέχον φορτίο του χλοοκοπτικού.	Πρόκειται για φυσιολογική λειτουργία. Δεν απαιτείται καμία ενέργεια.
	Το εικονίδιο όπισθεν εμφανίζεται στην οθόνη LCD.	Δ/Υ	ΑΠΕΝΕΡΓΟ-ΠΟΙΗΜΕΝΗ	Όχι	Υποδεικνύει ότι το χλοοκοπτικό κινείται όπισθεν.	Πρόκειται για φυσιολογική λειτουργία. Δεν απαιτείται καμία ενέργεια.

Οθόνη LCD	Περιγραφή	Κωδικός βλάβης στην οθόνη LCD	Ένδειξη κατάστασης χλοοκοπτικού	Βομβητής	Αιτία	Αντιμετώπιση
	Το εικονίδιο του κλειδιού ασφαλείας αναβοσβήνει.	ΔΥ	ΑΠΕΝΕΡΓΟ-ΠΟΙΗΜΕΝΗ	Όχι	Το κλειδί ασφαλείας δεν έχει εισαχθεί.	Εισαγάγετε το κλειδί ασφαλείας και, στη συνέχεια, πατήστε και διατηρήστε πατημένο το κουμπί ΕΝΕΡΓΟΠΟΙΗΣΗΣ/ ΑΠΕΝΕΡΓΟΠΟΙΗΣΗΣ να ενεργοποιήσετε το χλοοκοπτικό.
					Το συγκρότημα κουτιού πίνακα ελέγχου κλειδιού παρουσιάζει βλάβη.	Αναθέστε την επισκευή σε εξειδικευμένο τεχνικό σέρβις.
	Το εικονίδιο μιας συγκεκριμένης θήκης μπαταριών αναβοσβήνει.	ΔΥ	ΑΠΕΝΕΡΓΟ-ΠΟΙΗΜΕΝΗ	Όχι	Κάποια συγκεκριμένη μπαταρία παρουσιάζει υπερένταση ρεύματος κατά την εκφόρτιση.	Δεν απαιτείται καμία ενέργεια. Το χλοοκοπτικό μπορεί να συνεχίσει να λειτουργεί εάν η συνδυαζόμενη τιμή μπαταρίας Ah, εκτός της μπαταρίας που παρουσιάζει υπερένταση ρεύματος, ανταποκρίνεται στις προδιαγραφές. Μόλις η μπαταρία που παρουσιάζει υπερένταση ρεύματος επιστρέψει στο φυσιολογικό, θα συνεισφέρει στην τροφοδοσία του χλοοκοπτικού και το εικονίδιο θα εξαφανιστεί.
	Το εικονίδιο της άδειας θήκης μπαταριών αναβοσβήνει	ΔΥ	ΑΠΕΝΕΡΓΟ-ΠΟΙΗΜΕΝΗ	Όχι	Η φόρτιση μπαταρίας δεν επαρκεί για εργασία με το χλοοκοπτικό.	Για να εκκινήσετε αυτό το χλοοκοπτικό, χρησιμοποιήστε επαρκείς μπαταρίες EGO, ακολουθώντας τις οδηγίες στην ενότητα «ΠΡΟΣΑΡΤΗΣΗ/ ΑΠΟΜΑΚΡΥΝΣΗ ΤΗΣ ΣΥΣΤΟΙΧΙΑΣ ΜΠΑΤΑΡΙΩΝ» σε αυτό το εγχειρίδιο.

Οθόνη LCD	Περιγραφή	Κωδικός βλάβης στην οθόνη LCD	Ένδειξη κατάστασης χλοοκοπτικού	Βομβητής	Αιτία	Αντιμετώπιση
	Η ένδειξη υπερφόρτωσης αναβοσβήνει	Δ/Υ	Αναβοσβήνει κόκκινη	Ένα μπιπ	Ο κινητήρας λεπίδων έχει υπερφορτωθεί.	Αυξήστε το ύψος κοπής του πλαισίου κοπής ή μειώστε την ταχύτητα οδήγησης για να μειώσετε το φορτίο του χλοοκοπτικού.
					Η χοάνη πλευρικής εξαγωγής του χλοοκοπτικού έχει φράξει με γρασίδι και υπολείμματα.	Καθαρίζετε τη χοάνη πλευρικής εξαγωγής μετά από κάθε χρήση.
					Υπάρχει κάποια παρεμβολή μεταξύ της λεπίδας και του πλαισίου κοπής του χλοοκοπτικού.	Επικοινωνήστε με κέντρο εξυπηρέτησης πελατών της EGO
	Το εικονίδιο της θερμοκρασίας αναβοσβήνει.	Δ/Υ	ΑΠΕΝΕΡΓΟ-ΠΟΙΗΜΕΝΗ	Ένα μπιπ	Το χλοοκοπτικό έχει υπερθερμανθεί.	Μειώστε το φορτίο του χλοοκοπτικού αυξάνοντας το ύψος κοπής του πλαισίου κοπής ή μειώνοντας την ταχύτητα της λεπίδας / την ταχύτητα οδήγησης. Κάντε ένα διάλειμμα και αφήστε το χλοοκοπτικό να κρυώσει.
					Το χλοοκοπτικό είναι υπερβολικά ψυχρό.	Μην κάνετε επαναλαμβανόμενες απόπειρες, διότι έτσι μπορεί να προκληθεί ζημιά στη μηχανή. Αποθηκεύετε πάντα το χλοοκοπτικό και τις μπαταρίες σε θερμό περιβάλλον. Επανεκκινήστε το χλοοκοπτικό μόλις ζεσταθεί.

**GR**



Οθόνη LCD	Περιγραφή	Κωδικός βλάβης στην οθόνη LCD	Ένδειξη κατάστασης χλοοκοπτικού	Βομβητής	Αιτία	Αντιμετώπιση
	<p>Το εικονίδιο θερμοκρασίας και η συγκεκριμένη κατειλημμένη θήκη μπαταριών αναβοσβήνουν ταυτόχρονα.</p>	ΔΥ	ΑΠΕΝΕΡΓΟ-ΠΟΙΗΜΕΝΗ	Όχι	<p>Η συστοιχία μπαταριών στην αντίστοιχη αριθμημένη θήκη μπαταριών έχει υπερθερμανθεί.</p>	<p>1. Το χλοοκοπτικό μπορεί να συνεχίσει να λειτουργεί εάν η συνδυαζόμενη τιμή μπαταρίας Ah, εκτός της υπερθερμασμένης μπαταρίας, ανταποκρίνεται στις προδιαγραφές. Μόλις η υπερθερμασμένη μπαταρία επιστρέψει σε φυσιολογική θερμοκρασία, θα συμμετάσχει αμέσως στην παροχή ισχύος στο χλοοκοπτικό.</p> <p>2. Εάν η συνδυαζόμενη τιμή μπαταρίας Ah είναι δεν επαρκεί, το χλοοκοπτικό δεν θα λειτουργήσει εάν δεν τοποθετηθούν περισσότερες συστοιχίες μπαταριών στις άδειες θήκες μπαταριών.</p> <p>3. Μειώστε το φορτίο του χλοοκοπτικού, αυξάνοντας το ύψος κοπής του πλαισίου κοπής ή μειώνοντας την ταχύτητα κοπής κατά τη συνέχιση λειτουργίας.</p>

**GR**

Οθόνη LCD	Περιγραφή	Κωδικός βλάβης στην οθόνη LCD	Ένδειξη κατάσταση χλοοκοπτικού	Βομβητής	Αιτία	Αντιμετώπιση
	<p>Τα εικονίδια κάθε κατειλημμένης θήκης μπαταριών, η ένδειξη χαμηλής ισχύος, και ο δείκτης στάθμης καυσίμου αναβοσβήνουν ταυτόχρονα ανά 1 δευτερόλεπτο στην οθόνη LCD. Η πρώτη ένδειξη LED του δείκτη στάθμης καυσίμου και η ένδειξη κατάστασης του χλοοκοπτικού αναβοσβήνουν επίσης.</p>	Δ/Υ	Αναβοσβήνει κόκκινη	Συνεχίζει να ηχεί ώσπου να πατηθεί ο διακόπτης ΡΤΟ προς τα κάτω.	Οι συστοιχίες μπαταριών έχουν χαμηλή φόρτιση και το χλοοκοπτικό βρίσκεται σε λειτουργία έκτακτης ανάγκης.	Σταματήστε την εργασία και επιστρέψτε στο χώρο φόρτισης μπαταρίας. <b>ΣΗΜΕΙΩΣΗ:</b> Όταν το χλοοκοπτικό βρίσκεται στη λειτουργία έκτακτης ανάγκης, οι λεπίδες μεταβαίνουν αυτόματα στη χαμηλή ταχύτητα περιστροφής, ενώ η ηχητική ένδειξη θα εξακολουθήσει να ηχεί. Ο χειριστής πρέπει να πιέσει το διακόπτη ΡΤΟ προς τα κάτω για να απενεργοποιήσει τους κινητήρες λεπίδων. Η ηχητική ένδειξη θα σταματήσει να ηχεί μόλις ακινητοποιηθούν οι λεπίδες.
	<p>Το εικονίδιο κάθε κατειλημμένης θήκης μπαταριών και η ένδειξη χαμηλής ισχύος αναβοσβήνουν ανά μισό δευτερόλεπτο. Η πρώτη ένδειξη LED του δείκτη στάθμης καυσίμου θα αναβοσβήνει επίσης κόκκινη ανά μισό δευτερόλεπτο.</p>	Δ/Υ	Αναβοσβήνει κόκκινη	Συνεχίζει να ηχεί	Οι συστοιχίες μπαταριών έχουν σχεδόν αδειάσει.	Το χλοοκοπτικό θα σταματήσει αμέσως τη λειτουργία. Ο χειριστής πρέπει να μεταφέρει το χλοοκοπτικό στο χώρο φόρτισης μπαταρίας για τη φόρτιση.

GR

Οθόνη LCD	Περιγραφή	Κωδικός βλάβης στην οθόνη LCD	Ένδειξη κατάστασης χλοοκοπτικού	Βομβητής	Αιτία	Αντιμετώπιση
(A)	Το εικονίδιο της αυτόματης στάθμευσης αναβοσβήνει στην οθόνη LCD.	ΔΥ	ΑΠΕΝΕΡΓΟ-ΠΟΙΗΜΕΝΗ	Συνεχίζει να ηχεί	Το χλοοκοπτικό βρίσκεται σταθμευμένο σε πλαγιά και ο χειριστής απομακρύνεται από το χλοοκοπτικό χωρίς να θέσει το πεντάλ φρένου στάθμευσης στη θέση πέδησης.	Ρυθμίστε το πεντάλ φρένου στη θέση πέδησης. Το εικονίδιο αυτόματης στάθμευσης θα είναι σβήσει και η ηχητική ένδειξη θα σταματήσει να ηχεί.
(P)	Το εικονίδιο του πεντάλ φρένου εμφανίζεται στην οθόνη LCD	ΔΥ	ΑΠΕΝΕΡΓΟ-ΠΟΙΗΜΕΝΗ	Όχι	Το πεντάλ φρένου στάθμευσης είναι ρυθμισμένο στη θέση πέδησης.	Πριν από την ενεργοποίηση του χλοοκοπτικού, αποδεσμεύστε.

**ΣΗΜΕΙΩΣΗ:** Εάν εμφανιστεί ένας κωδικός βλάβης στην οθόνη LCD, αφαιρέστε όλες τις συστοιχίες μπαταριών και, στη συνέχεια, επανατοποθετήστε τις εκ νέου μερικά λεπτά αργότερα. Εάν με αυτόν τον τρόπο δεν επιλυθεί το πρόβλημα, συμβουλευτείτε την παρακάτω αντιμετώπιση προβλημάτων ανάλογα με τον κωδικό βλάβης.

Οθόνη LCD	Περιγραφή	Κωδικός βλάβης στην οθόνη LCD	Ένδειξη κατάστασης χλοοκοπτικού	Βομβητής	Αιτία	Αντιμετώπιση
	Το εικονίδιο του αισθητήρα καθίσματος εμφανίζεται στην οθόνη LCD	Δ/Υ	ΑΠΕΝΕΡΓΟΠΟΙΗΜΕΝΗ	Όχι	Ο χειριστής δεν βρίσκεται στο κάθισμα ή το προστατευτικό σύστημα αλληλασφάλισης καθίσματος έχει αποσυνδεθεί.	Εάν το εικονίδιο είναι αναμμένο όταν χειριστής κάθεται στο κάθισμα, σταματήστε αμέσως τη λειτουργία του χλοοκοπτικού και ελέγξτε τη σύνδεση καθίσματος. Εάν η σύνδεση καθίσματος και χλοοκοπτικού είναι σωστή, επικοινωνήστε με εξειδικευμένο τεχνικό σέρβις για επισκευή.
	Το εικονίδιο του διακόπτη ΡΤΟ αναβοσβήνει	Δ/Υ	ΑΠΕΝΕΡΓΟΠΟΙΗΜΕΝΗ	Όχι	Διακόπηκε η λειτουργία του κινητήρα λεπίδων και ο διακόπτης ΡΤΟ δεν έχει ρυθμιστεί στη θέση απενεργοποίησης.	Προτού επανεκκινήσετε το χλοοκοπτικό, πιέστε το διακόπτη ΡΤΟ προς τα κάτω για να σβήσετε τους κινητήρες λεπίδων. Βλ. ενότητα « <b>ΑΝΤΙΜΕΤΩΠΙΣΗ ΠΡΟΒΛΗΜΑΤΩΝ</b> » στο παρόν εγχειρίδιο.
	Το εικονίδιο ανάκτησης ενέργειας αναβοσβήνει περιστασιακά.	Δ/Υ	ΑΠΕΝΕΡΓΟΠΟΙΗΜΕΝΗ	Όχι	Η κινητική ενέργεια που δημιουργείται κατά τη διάρκεια της πέδησης ή της καθοδικής οδήγησης μετατρέπεται σε ηλεκτρική για τη φόρτιση των συστοιχιών μπαταριών.	Πρόκειται για φυσιολογική λειτουργία. Δεν απαιτείται καμία ενέργεια.

GR

Οθόνη LCD	Περιγραφή	Κωδικός βλάβης στην οθόνη LCD	Ένδειξη κατάστασης χλοοκοπτικού	Βομβητής	Αιτία	Αντιμετώπιση	
	Το εικονίδιο CCS αναβοσβήνει	ΔΥ	ΑΠΕΝΕΡΓΟΠΟΙΗΜΕΝΗ	Όχι	Το CCS (σύστημα ελέγχου πορείας) δεν λειτουργεί.	Η λειτουργία CCS δεν μπορεί να ρυθμιστεί όταν το χλοοκοπτικό κινείται με πολύ χαμηλή ταχύτητα ή όπισθεν.	
Ανατρέξτε στην ενότητα «Κωδικοί βλάβης»	Ο αριστερός κινητήρας δεν περιστρέφεται.	Ο αριστερός κινητήρας με έλεγχο PCBA παρουσιάζει βλάβη.	413	ΑΠΕΝΕΡΓΟΠΟΙΗΜΕΝΗ	Ένα μπιπ	Βλάβη PCBA	Αναθέστε την επισκευή σε εξειδικευμένο τεχνικό σέρβις.
		Το φως (τριφασικό καλώδιο ισχύος) που συνδέει τον αριστερό κινητήρα με το αντίστοιχο PCBA έχει χαλαρώσει.	317	ΑΠΕΝΕΡΓΟΠΟΙΗΜΕΝΗ	Ένα μπιπ	Χαλαρή σύνδεση	
		Το φως (έξι ακίδων καλώδιο σήματος) που συνδέει τον αριστερό κινητήρα με το αντίστοιχο PCBA έχει χαλαρώσει.	301	ΑΠΕΝΕΡΓΟΠΟΙΗΜΕΝΗ	Ένα μπιπ	Χαλαρή σύνδεση	
		Ο αριστερός κινητήρας δεν λειτουργεί.	317	ΑΠΕΝΕΡΓΟΠΟΙΗΜΕΝΗ	Ένα μπιπ	Βλάβη κινητήρα	

**GR**

Οθόνη LCD	Περιγραφή	Κωδικός βλάβης στην οθόνη LCD	Ένδειξη κατάστασης χλοοκοπτικού	Βομβητής	Αιτία	Αντιμετώπιση	
Ανατρέξτε στην ενότητα «Κωδικοί βλάβης»	Ο δεξιός κινητήρας δεν περιστρέφεται	Ο δεξιός κινητήρας με έλεγχο PCBA παρουσιάζει βλάβη.	313	ΑΠΕΝΕΡΓΟΠΟΙΗΜΕΝΗ	Ένα μπιπ	Βλάβη PCBA	Αναθέστε την επισκευή σε εξειδικευμένο τεχνικό σέρβις.
		Το φως (τριφασικό καλώδιο ισχύος) που συνδέει το δεξιό κινητήρα με το αντίστοιχο PCBA έχει χαλαρώσει.	417	ΑΠΕΝΕΡΓΟΠΟΙΗΜΕΝΗ	Ένα μπιπ	Χαλαρή σύνδεση	
		Το φως (έξι ακίδων καλώδιο σήματος) που συνδέει το δεξιό κινητήρα με το αντίστοιχο PCBA έχει χαλαρώσει.	401	ΑΠΕΝΕΡΓΟΠΟΙΗΜΕΝΗ	Ένα μπιπ	Χαλαρή σύνδεση	
		Ο δεξιός κινητήρας δεν λειτουργεί.	417	ΑΠΕΝΕΡΓΟΠΟΙΗΜΕΝΗ	Ένα μπιπ	Βλάβη κινητήρα	
Ανατρέξτε στην ενότητα «Κωδικοί βλάβης»	Ο αριστερός κινητήρας λεπίδων δεν περιστρέφεται	Ο αριστερός κινητήρας λεπίδων με έλεγχο PCBA παρουσιάζει βλάβη	607	Δ/Υ	Ένα μπιπ	Βλάβη PCBA	Αναθέστε την επισκευή σε εξειδικευμένο τεχνικό σέρβις.
		Το φως (τριφασικό καλώδιο ισχύος) που συνδέει τον αριστερό κινητήρα λεπίδων με το αντίστοιχο PCBA έχει χαλαρώσει.	509	Δ/Υ	Ένα μπιπ	Χαλαρή σύνδεση	Επιθεωρήστε πρώτα τη λεπίδα. Εάν έχει χαλαρώσει, συσφίξτε το μπουλόνι με τη συνιστώμενη ροπή. Στην αντίθετη περίπτωση, αναθέστε την επισκευή σε εξειδικευμένο τεχνικό σέρβις.
		Ο αριστερός κινητήρας λεπίδων παρουσιάζει βλάβη	509	Δ/Υ	Ένα μπιπ	Βλάβη κινητήρα	Επιθεωρήστε πρώτα την επισκευή σε εξειδικευμένο τεχνικό σέρβις.

**GR**

Οθόνη LCD	Περιγραφή	Κωδικός βλάβης στην οθόνη LCD	Ένδειξη κατάστασης χλοοκοπτικού	Βομβητής	Αιτία	Αντιμετώπιση	
Ανατρέξτε στην ενότητα «Κωδικοί βλάβης»	Ο δεξιός κινητήρας λεπίδων δεν περιστρέφεται	Ο δεξιός κινητήρας λεπίδων με έλεγχο PCBA παρουσιάζει βλάβη	507	Δ/Υ	Ένα μπιπ	Βλάβη PCBA	Αναθέστε την επισκευή σε εξειδικευμένο τεχνικό σέρβις.
		Το φως (τριφασικό καλώδιο ισχύος) που συνδέει το δεξιό κινητήρα λεπίδων με το αντίστοιχο PCBA έχει χαλαρώσει.	609	Δ/Υ	Ένα μπιπ	Χαλαρή σύνδεση	Επιθεωρήστε πρώτα τη λεπίδα. Εάν έχει χαλαρώσει, συσφίξτε το μπουλόνι με τη συνιστώμενη ροπή. Στην αντίθετη περίπτωση, αναθέστε την επισκευή σε εξειδικευμένο τεχνικό σέρβις.
		Ο δεξιός κινητήρας λεπίδων παρουσιάζει βλάβη	609	Δ/Υ	Ένα μπιπ	Βλάβη κινητήρα	Αναθέστε την επισκευή σε εξειδικευμένο τεχνικό σέρβις.
Ανατρέξτε στην ενότητα «Κωδικοί βλάβης»	Το γκάζι δεν λειτουργεί	311/411 307/407	ΑΠΕΝΕΡΓΟΠΟΙΗΜΕΝΗ	Ένα μπιπ	Βλάβη PCBA Χαλαρή σύνδεση	Αναθέστε την επισκευή σε εξειδικευμένο τεχνικό σέρβις.	
Ανατρέξτε στην ενότητα «Κωδικοί βλάβης»	Το τιμόνι δεν λειτουργεί	312/412	ΑΠΕΝΕΡΓΟΠΟΙΗΜΕΝΗ	Ένα μπιπ	Βλάβη PCBA Χαλαρή σύνδεση	Αναθέστε την επισκευή σε εξειδικευμένο τεχνικό σέρβις.	

Οθόνη LCD	Περιγραφή	Κωδικός βλάβης στην οθόνη LCD	Ένδειξη κατάστασης χλοοκοπτικού	Βομβητής	Αιτία	Αντιμετώπιση	
Ανατρέξτε στην ενότητα «Κωδικοί βλάβης»	Το φρένο στάθμευσης παρουσιάζει βλάβη – το χλοοκοπτικό δεν επιδέχεται οδήγηση.	Το PCBA του φρένου στάθμευσης στο συγκρότημα μπροστινού πλαισίου παρουσιάζει βλάβη.	309/409	ΑΠΕΝΕΡΓΟΠΟΙΗΜΕΝΗ	Ένα μπιπ	Βλάβη PCBA	Αναθέστε την επισκευή σε εξειδικευμένο τεχνικό σέρβις.
		Ο διακόπτης φρένου στάθμευσης και/ή το καλώδιο παρουσιάζει βλάβη.	801	ΑΠΕΝΕΡΓΟΠΟΙΗΜΕΝΗ	Ένα μπιπ	Βλάβη καλωδίου/ διακόπτη	
ΑΠΕΝΕΡΓΟΠΟΙΗΜΕΝΗ	Σφάλμα θύρας φόρτισης		Δ/Υ	Ανάβει σταθερά ΚΟΚΚΙΝΗ	Δ/Υ	Η θύρα φόρτισης βρίσκεται σε ανοιχτό κύκλωμα.	Αναθέστε την επισκευή σε εξειδικευμένο τεχνικό σέρβις.
			Δ/Υ	Ανάβει σταθερά ΚΟΚΚΙΝΗ	Δ/Υ	Δεν υπάρχει παροχή ρεύματος.	Ελέγξτε εάν η επίτοιχη πρίζα παρέχει τροφοδοσία 220 – 240 V και λειτουργεί απρόσκοπτα.
			Δ/Υ	Ανάβει σταθερά ΚΟΚΚΙΝΗ	Δ/Υ	Κάηκε η ασφάλεια.	Αναθέστε την επισκευή σε εξειδικευμένο τεχνικό σέρβις.
Ανατρέξτε στην ενότητα «Κωδικοί βλάβης»	Σφάλμα θύρας φόρτισης	204	Δ/Υ		Ένα μπιπ	Η θύρα φόρτισης βρίσκεται σε ανοιχτό κύκλωμα.	Αναθέστε την επισκευή σε εξειδικευμένο τεχνικό σέρβις.

**GR**



Οθόνη LCD	Περιγραφή	Κωδικός βλάβης στην οθόνη LCD	Ένδειξη κατάστασης χλοοκοπτικού	Βομβητής	Αιτία	Αντιμετώπιση
Ανατρέξτε στην ενότητα «Κωδικοί βλάβης»	Το συγκρότημα κιβωτίου συσσωρευτών δεν λειτουργεί.	217	Δ/Υ	Ένα μπιπ	Η πηγή ισχύος από το συγκρότημα κιβωτίου συσσωρευτών παρουσιάζει βλάβη. Οι προβολείς LED και το USB δεν λειτουργούν.	Αναθέστε την επισκευή σε εξειδικευμένο τεχνικό σέρβις.
		310/ 410	ΑΠΕΝΕΡΓΟΠΟΙΗ- ΜΕΝΗ	Ένα μπιπ	Η σύνδεση μεταξύ των καλωδίων τύπου C του συγκροτήματος κιβωτίου συσσωρευτών και άλλων καλωδίων τύπου C του χλοοκοπτικού δεν λειτουργεί.	
		201/ 202/ 203	ΑΠΕΝΕΡΓΟΠΟΙΗ- ΜΕΝΗ	Ένα μπιπ	Το BMS του συγκροτήματος κιβωτίου συσσωρευτών παρουσιάζει βλάβη.	
Ανατρέξτε στην ενότητα «Κωδικοί βλάβης»	Σφάλμα διακόπτη ενεργοποίησης/ απενεργοποίησης	314/ 414	ΑΠΕΝΕΡΓΟΠΟΙΗ- ΜΕΝΗ	Ένα μπιπ	Βλάβη διακόπτη PCBA ή κακή σύνδεση καλωδίων στο διακόπτη ενεργοποίησης/ απενεργοποίησης.	Αναθέστε την επισκευή σε εξειδικευμένο τεχνικό σέρβις.

**GR**

Οθόνη LCD	Περιγραφή	Κωδικός βλάβης στην οθόνη LCD	Ένδειξη κατάστασης χλοοκοπτικού	Βομβητής	Αιτία	Αντιμετώπιση
Ανατρέξτε στην ενότητα «Κωδικοί βλάβης»	Σφάλμα οθόνης LCD	315/ 415	ΑΠΕΝΕΡΓΟΠΟΙΗ- ΜΕΝΗ	Ένα μπιπ	Το συγκρότημα LCD παρουσιάζει βλάβη ή κακή σύνδεση καλωδίων του συγκροτήματος LCD.	Αναθέστε την επισκευή σε εξειδικευμένο τεχνικό σέρβις.

## ΕΓΓΥΗΣΗ

### ΠΟΛΙΤΙΚΗ ΕΓΓΥΗΣΗΣ EGO

Επισκεφθείτε την ιστοσελίδα [egopowerplus.com](http://egopowerplus.com) για όλους τους όρους και τις προϋποθέσεις της πολιτικής εγγύησης EGO.

# TÜM TALİMATLARI OKUYUN!



**KULLANIM KILAVUZUNU OKUYUN**

## GÜVENLİK SEMBOLÜ

Güvenlik sembollerinin amacı olası tehlikelere dikkatinizi çekmektir. Güvenlik sembolleri ve yanlarındaki açıklamalar özel dikkat ve anlayış göstermenizi gerektirir. Uyarı sembolleri kendi başlarına herhangi bir tehlikeyi gidermez. Sembollerde belirtilen talimatlar ve uyarılar uygun kaza önleme tedbirlerinin yerine geçmez.

**⚠ UYARI:** Bu aleti kullanmadan önce “**TEHLİKE**”, “**UYARI**” ve “**DİKKAT**” gibi tüm güvenlik uyarı ve sembollerini içeren bu Kullanım Kılavuzundaki tüm güvenlik talimatlarını okuyup anladığınızdan emin olun. Aşağıdaki talimatların tamamına uyulmaması elektrik çarpması, yangın ve/veya ciddi yaralanma ile sonuçlanabilir.

## SEMBOLÜN ANLAMI

Bu sayfada, bu ürün üzerinde görülebilecek güvenlik sembolleri gösterilmekte ve açıklanmaktadır. Makineyi monte etmeye ve kullanmaya başlamadan önce makineye ilişkin tüm talimatları okuyup anlayın ve bu talimatlara uyun.

## GÜVENLİK SEMBOLLERİ

	Güvenlik Uyarısı		Kullanım Kılavuzunu Okuyun ve Anlayın
	Göz Koruması		Emniyet Tertibatının Bakımını Yapın
	TEHLİKE – Dik eğim tehlikesi		TEHLİKE – Çevredeki Kişileri Bıçakların Uzağında Tutun
	Asla çocukları taşımayın		Geri geri giderken arkanıza bakın
	UYARI - Bu makineyi 12°'den daha fazla eğime sahip olan yerlerde kullanmayın		TEHLİKE – Fırlayan nesnelere
	UYARI – ELLERİ VE AYAKLARI UZAKTA TUTUN		Garanti edilen ses gücü seviyesidir. Avrupa topluluğunun Direktifine göre.

TR



Basmayın



Bu ürün, yürürlükteki AB yönetmeliklerine uygundur



Doğru Akım

kPa

Kilopascal

V

Volt

inç

İnç

Nm

Newton metre

°C

Santigrat

km/sa.

kilometre/saat



Atık elektrikli ürünler, evsel atıklar ile birlikte bertaraf edilmemelidir. Yetkili bir geri dönüşüm merkezine teslim edilmelidir.



DİKKAT – Çalışan lambaya bakmayın.



Bu ürün, yürürlükteki Birleşik Krallık yasalarına uygundur.

RPM

Dakikada devir sayısı

m

Metre

cm

Santimetre

mm

Milimetre

kg

Kilogram

IPX4

Hava Girişi Koruma Derecesi

## GÜVENLİK SEMBOLLERİ



Bilgilerin not edilmesi gerekir



Belirtilen eylem durur

## TEKNİK ÖZELLİKLER

Voltaj	56 V	
Bıçme Haznesi Boyutu	107 cm	
Tekerlek Boyutu	Ön	279,4 x 101,6 – 127 mm
	Arka	457,2 x 241,3 – 203.2 mm
Soğuk Lastik Basıncı	Ön	222.1 kPa
	Arka	110.3 kPa
Dönüş Yarıçapı	0	
Bıçak Hızı (RPM)	2400; 2600; 2800; 3000	

Maksimum Sürüş Hızı	İleri	4,8 km/sa., 8,1 km/sa., 9,7 km/sa., 11,3 km/sa. (Yolculuk modunda 12,8 km/sa.)
	Geri	azami 5,6 km/sa.
Şarj oluyor	Şarj Cihazı (İsteğe Bağlı)	CHV1600E
	Adaptör (İsteğe Bağlı)	ACA1000
	Şarj Etme Sıcaklığı Aralığı	5°C - 40°C
Kesim Yüksekliği Ayarı (10 konum)	25 – 100 mm	
Çalışma Sıcaklığı	0°C- 40°C	
Depolama Sıcaklığı	-20°C - 70°C	

TR

Ağırlık (Batarya hariç)	196 kg	
Ölçülen ses gücü düzeyi $L_{WA}$	96,44 dB(A) K=0,68 dB(A)	
Kullanıcının kulağındaki ses gücü seviyesi $L_{PA}$	84,3 dB(A) K=3,0 dB(A)	
Garanti edilen ses gücü seviyesi $L_{WA}$ (2000/14/EC uyarınca ölçülen)	100 dB(A)	
Titreşim $a_h$	EI	1,221 m/sn. <sup>2</sup> K=1,5 m/sn. <sup>2</sup>
	Vücut	0,568 m/sn. <sup>2</sup> K=1,5 m/sn. <sup>2</sup>

- Beyan edilen toplam titreşim değeri, standart test yöntemine uygun olarak ölçülmüştür ve bir aleti diğer bir alet ile karşılaştırmak için kullanılabilir.
- Beyan edilen toplam titreşim değeri, maruz kalma seviyesinin ilk değerlendirmesi için de kullanılabilir.

**DİKKAT:** Elektrikli aletin fiili kullanımı sırasında oluşan titreşim emisyonu değeri aletin kullanım şekline bağlı olarak beyan edilen değerden farklı olabilir. Operatör korunmak için fiili kullanım koşullarında eldiven ve kulak koruması takmalıdır.

## ÖNERİLEN

## AKSESUARLAR

**⚠UYARI:** Sadece aşağıda listelenen orijinal yedek parçaları kullanın. Orijinal ekipman özelliklerini karşılamayan parçaların kullanılması, ürünün hatalı ve tehlikeli bir şekilde çalışmasına neden olabilir.

PARÇA ADI	MODEL NUMARASI
Standart Bıçak	AB4200
Yüksek Bıçak	AB4201
Malçlama Aparatı	AMP4200
Çim Torbası Kiti	ABK4200-A
Arka Tampon	AMB1000
Kargo Kutusu	AMG1000
Güneş Gölge	AMS1000

## AÇIKLAMA

### ÇİM BİÇME TRAKTÖRÜNÜ TANIYIN (Şek. A1)

1. Koltuk
2. Şarj Bağlantı Noktası
3. Güç Ünitesi
4. LED Arka Işık
5. Saklama Bölmesi
6. LED Yan Lambalar
7. Arka Tekerlek (Çekiş Tekerleği)
8. Yıkama Ağızı
9. Küreme Haznesi
10. Bıçme Haznesi Koruyucu
11. Kazıma Önleyici Tekerlek
12. Ön Tekerlek
13. Park Freni Pedalı
14. Gündüz Lambaları
15. LED Farlar
16. Gaz Pedalı
17. Ayak Koyma Yeri
18. Yan Boşaltma Oluğu
19. Bıçme Haznesi Yüksekliği Ayar Kolu
20. Koltuk Süspansiyonu Ayar Düğmesi
21. Direksiyon Simidi
22. Sağ Yan Kutu
23. Koltuk Konumu Ayarlama Kolu
24. PTO Anahtarı
25. Çalıştır/Durdur Düğmesi
26. Emniyet Anahtarı
27. Telefon Saklama Yuvası
28. Bardak Tutucular
29. Sol Kol
30. Çim Bıçme Traktörü Durum Göstergesi
31. LCD Ekran
32. Sağ Kol
33. Bıçak Hızı Ayarlama Düğmesi
34. CCS Düğmesi

35. Sürüş Modu Düğmesi
36. LED Lamba Anahtarı
37. Sürüş Hızı Ayarlama Düğmesi
38. Güç Ünitesi Kapağı Açma Düğmesi
39. Güç Ünitesi Kapağı
40. Altı Batarya Bölmeli Güç Ünitesi
41. Batarya Çıkarma Düğmesi
42. Çeki Demiri
43. Aparat Montaj Kapağı
44. USB Bağlantı Noktası

## LCD EKRANI TANIYIN (Şek. A2)

LCD Ekrandaki simgeler ve göstergeler hakkında daha fazla bilgi edinmek için “ÇİM BİÇME TRAKTÖRÜ DURUM REFERANSI VE ARIZA KODU” bölümüne bakın.

1. Geri Simgesi
2. CCS Simgesi
3. Emniyet Anahtarı Simgesi
4. LED Lamba Simgesi
5. Otomatik Park Simgesi
6. USB Simgesi
7. Bıçak Hızı Göstergesi
8. Emniyet Tertibatı Durum Göstergesi
9. Saat Ölçer
10. Boş Batarya Bölmesi Simgesi
11. Sıcaklık Simgesi
12. Dolu Batarya Bölmesi Simgesi
13. Sürüş Modu
14. Arıza Kodu Göstergesi
15. Aşırı Yük Göstergesi
16. Düşük Güç Göstergesi
17. Enerji Seviyesi Göstergesi
18. Yük Göstergesi
19. Sürüş Hızı Göstergesi

TR

## AMBALAJIN AÇILMASI

**DİKKAT:** Ürünü dikkatlice inceleyip yeterince iyi olduğunu göreceğiniz şekilde kullanana kadar ambalaj malzemelerini saklayın. Ambalaj listesindeki herhangi bir parça makineye monte edilmişse lütfen hemen EGO servisini arayın.

**DİKKAT:** Aşağıdaki ambalaj listesinde bulunan aletler dışında kılavuzlarda belirtilen tüm diğer aletler sadece önerilmekte olup ürünle birlikte verilmemektedir.

**DİKKAT:** Direksiyon simidi doğru şekilde takılmadan önce direksiyon simidinin altındaki köpük bloğu çıkarmayın. Hareket sırasındaki titreşim direksiyon simidine hasar verebilir.

## AMBALAJ LİSTESİ (ŞEK. B)

B-1	Sıfır Dönümlü Çim Bıçma Traktörü	B-2	Koltuk
B-3	Malçlama Aparatı	B-4	Soket Başlı Vidalar (2 tane yedek)
B-5	Alyan Anahtarı	B-6	Soket Anahtarı
B-7	Açık Uçlu Anahtarlar	B-8	Emniyet Anahtarları
B-9	Yıkama Ağız Hızlı Bağlantı Parçası	B-10	Kullanım Kılavuzu

## MONTAJ

### KOLTUĞUN TAKILMASI (Şek. C1 – C4)

**⚠ UYARI:** Güvenlik kilidi sisteminin bağlantısı kesilmemeli veya sistem devre dışı bırakılmamalıdır. Aksi halde çim biçme traktörü beklenmedik şekilde çalışabilir ve yaralanmalara neden olabilir.

**DİKKAT:** Güvenliğiniz için sürüş sırasında koltuk anahtarının bağlantısı kesilirse çim biçme traktörü durabilir. Bu durumda daha fazla bilgi için “SORUN GİDERME” bölümüne bakın.

C1-1	Soket	C1-2	Fiş
C1-3	Kablo	C2-1	Koltuk Kolu
C2-2	Süspansiyon Tabanı	C2-3	Alyan Anahtarı
C2-4	Soket Başlı Vidalar	C2-5	Koltuk Konumu Ayarlama Kolu
C3-1	Çelik Raylar	C3-2	Alyan Anahtarı
C3-3	Soket Başlı Vidalar	C4-1	Kanca

### DİREKSİYON SİMİDİNİN TAKILMASI (Şek. C5 – C6)

C5-1	Kilitleme Cıvatası	C5-2	Çubuk
C6-1	Tespit Bloğu	C6-2	Yuva
C6-3	Direksiyon Simidi Koruyucu		

### MALÇLAMA APARATININ TAKILMASI (Şek. C7)

C7-1	Yan Boşaltma Oluğu	C7-2	Malçlama Aparatı
C7-3	Hareketli Yay		

## AYARLAMA

### AYARLAMADAN ÖNCE (Şek. D1)

### BİÇME HAZNESİ YÜKSEKLİĞİNİ AYARLAMA (Şek. D2)

### KAZIMA ÖNLEYİCİ TEKERLEKLERİ AYARLAMA (Şek. D3 – D6)

D3-1	Kazıma Önleyici Tekerlek	D5-1	Somun
D5-2	Bijon Cıvatası	D6-1	Bıçme Haznesi Yüksekliği Etiketli

### KOLTUĞU AYARLAMA (Şek. D7)

D7-1	Koltuk Konumu Ayarlama Kolu	D7-2	Koltuk Süspansiyonu Ayar Düğmesi
------	-----------------------------	------	----------------------------------

### DİREKSİYON SİMİDİNİ AYARLAMA (Şek. D8)

D8-1	Kilitleme Cıvatası	D8-2	Çubuk
D8-3	Tespit Bloğu	D8-4	Yuva

## ÇALIŞTIRMA

### ÇALIŞTIRMADAN ÖNCE (Şek. E1)

### PARK FRENİNİ AYARLAMA (Şek. E2)

E2-1	Fren Bırakılmış Konum	E2-2	Frene Basılı Konum
------	-----------------------	------	--------------------

**DİKKAT:** Hızı azaltmak için asla park freni pedalına basmayın. Park freni pedalına yeterince basıldığında ancak tam park konumuna gelmediğinde çim biçme traktörü düz bir yüzeyde hareket etmeyi durdurur, fakat bu işlem bir yokuşta gerçekleşirse çim biçme traktörü yokuş aşağı kayabilir.

### BATARYAYI TAKMA/ÇIKARMA (Şek. E3 – E6)

Bu çim biçme traktörünü çalıştırmak için toplam 15 Ah (2 X BA4200/BA4200T) veya daha fazla güce sahip EGO bataryaları gereklidir. En iyi performansı elde etmek için toplam 30 Ah veya üzeri güce sahip EGO bataryalarının kullanılmasını öneririz.

E3-1	Kapak Açma Düğmesi	E5-1	Batarya Çıkarma Düğmesi
------	--------------------	------	-------------------------

TR

### ÇİM BİÇME TRAKTÖRÜNÜ ŞARJ ETME

Sadece önerilen bataryaları ve şarj cihazlarını kullanın.

- Bataryaları ayrı ayrı şarj edin (Şek. E7)

**DİKKAT:** Ayrıntılı talimatlar için ilgili batarya ve şarj cihazı kılavuzlarına bakın.

- Bataryaları şarj bağlantı noktaları üzerinden şarj edin (Şek. E8-E10)

E10-1	Toz Kapağı	E10-2	Şarj Bağlantı Noktası
-------	------------	-------	-----------------------

## GÜVENLİ ARA KİLİT SİSTEMİNİ TEST ETME

- Biçme haznesi bıçak sistemini test etmek için (Şek. E11 – E12)
- Sürüş sistemini test etmek için (Şek. E13 – E14)

Operatör koltuktan kalktığı anda biçme haznesi bıçak sistemi ve/veya sürüş sistemi durmuyorsa ve koltuğun fiş ve soket bağlantısının düzgün olduğu kontrol edildikten sonra sorunun nedeni belirlenemiyorsa hemen EGO müşteri hizmetleri merkezi ile iletişime geçin.

## ÇALIŞTIRMA ÖNCESİ KONTROL LİSTESİ

- Çalışma alanında çocukların, başka insanların ve evcil hayvanların olmadığından emin olun.
- Çalışma alanını çim biçme bıçakları tarafından fırlatılabilir nesnelere temizleyin.
- Çim biçme traktöründeki kalıntıları temizleyin.
- Gevşek bağlantı elemanları olup olmadığını kontrol edin.
- Tüm korumaların yerinde olduğundan ve düzgün çalıştığından emin olmak için kontrol edin.
- Lastiklerin şişirilip şişirilmediğini görsel olarak kontrol edin.
- Frenin çalışmasını kontrol edin.
- Biçme haznesini, çim için en uygun olan istenen kesme konumuna ayarlayın ve kazıma önleyici tekerlekleri buna göre ayarlayın.
- Koltuk konumunu ayarlayın ve her iki pedala da ulaşılabilir olduğundan emin olun.
- Gerekirse direksiyon simidini istediğiniz konuma ayarlayın.
- Batarya şarj seviyesini doğrulayın.
- Güvenlik ara kilit sistemini kontrol edin.

## ÇİM BİÇME TRAKTÖRÜNÜ ÇALIŞTIRMA (Şek. E15 - Şek. E16)

**⚠ UYARI:** Özellikle çim biçme traktörünü ilk kez kullanmayı öğrenirken ani çalıştırma, durdurma ve dönüşlerin yanı sıra aşırı hız yapmaktan kaçının. Çim biçme traktörü hızlı bir şekilde dönebilir, bu da kontrolü kaybetmenize ve ciddi yaralanmalara ve/veya hasara neden olabilir.

**⚠ UYARI:** Biçme makinesini çalıştırmadan önce PTO anahtarını aşağı itince bıçakların 5 sn. içinde devre dışı kaldığından emin olun. Bıçaklar durmuyorsa çim biçme traktörünü kullanmayın ve hemen EGO müşteri hizmetleriyle iletişime geçin.

**DİKKAT:** Çim biçme traktörünü her durumda kullanabilecek tam kapasiteye sahip olana kadar en düşük sürüş hızı ve STANDART sürüş modu için Şek. E17 ve Şek. E18'e uyun.

Çim biçme traktörü, yeniden başlatıldığında önceki sürüş modunu, sürüş hızını ve direksiyon simidinin kalibrasyonunu kaydeder ve bu ayarları getirir.

## SÜRÜŞ MODU AYARI (Şek. E17)

- KONTROL:** Çimlerin korunması ve yeni kullanıcılar için düşük hızlanma, düşük tutma hassasiyeti ve yavaş dönüş hızı.
- STANDART:** Günlük kullanım için mükemmel.
- SPOR:** Çim biçme verimliliğini maksimize etmek ve çim biçme meraklıları için yüksek hızlanma, hassas tutma ve keskin dönüş.

**NOT:** Sürüş modu sürüş sırasında ayarlanamaz. İşlev, yalnızca çim biçme traktörü tekerlekleri durdurulduğunda etkinleşir.

## Sürüş Hızını Ayarlama (Şek. E18)

**NOT:** "TURBO" modundayken "–" düğmesine basın, sürüş hızı önceki moda dönecektir.

## Bıçak Hızını Ayarlama (Şek. E19)

### LED Işıklar

- Farlar, yan lambalar ve arka lambalar LED lamba anahtarı ile kontrol edilir.
- Sürüş sırasında sürüş lambaları her zaman açık olur.
- Geri giderken arka lambalar kapalıysa etraftaki insanları uyarmak için yanar; arka lambalar açıksa açık kalmaya devam eder.
- Çim biçme traktörü çalışmadan geçen bir sürenin ardından otomatik olarak kapandığında tüm ışıklar otomatik olarak söner.



### USB Bağlantı Noktası

**DİKKAT:** USB bağlantı noktası, 1,5 Amperlik toplam çekişte 5 Volt DC şarj gücü sağlar ve sadece çim biçme traktörü çalışırken güç sağlar.

### ÇİM BİÇME MAKİNESİNİ DURDURMA (Şek. E20)

**DİKKAT:** Çalışma yapılmadan geçen 60 dakikadan sonra çim biçme traktörü otomatik olarak durur.

### Koruma Modu

Batarya şarjı kritik düzeyde düştüğünde, çim biçme traktörü şarj alanına geri dönmek üzere yeterli gücü korumak için Koruma moduna geçer.

- Bıçaklar, yalnızca çok az miktarda çimi kesebilecek düşük dönüş hızına geçer. Uzun ve yoğun çimlerle karşılaşıldığında bıçakların dönmesi duracaktır. Ses göstergesi aralıklı olarak çalacaktır (bip sesi).
- Çim biçme traktörü durum göstergesi her saniye kırmızı renkte yanıp söner, hem düşük güç göstergesi hem de enerji seviyesi göstergesindeki batarya grafikleri yanıp söner.

Operatörün yapması gerekenler:

- Bıçak motorlarını kapatmak için PTO anahtarını aşağı doğru itin. Bıçak motorları durduğunda sesli göstergenin sesi durur.
- Çalışmayı bırakın ve mümkün olan en kısa sürede şarj alanına geçin. Çim biçme traktörünün gidebileceği maksimum mesafe 1000 m'dir.

Batarya boşalmaya yakinken her kullanılan batarya bölmesi simgesi ve düşük güç göstergesi her yarım saniyede bir yanıp söner. Çim biçme traktörü hemen çalışmayı durdurur. Operatörün şarj için çim biçme traktörünü şarj alanına taşıması gerekir.

**DİKKAT:** Manuel itme gerekirse bataryaların çim biçme traktörü ile bağlantısının kesildiğinden ve park freni pedalının park konumunda olmadığından emin olun.

### ÇİM BİÇME TRAKTÖRÜNÜ SÜRME (Şek. E21)

**⚠ TEHLİKE:** Tüm hendeklerin, dik inişlerin veya su bulunan yerlerin en az iki biçme genişliği uzağında kalın. Çim biçme traktörü durduğunda frene basılsa bile ön tekerlekler dönebilir ve traktörün eşik üzerinden geçmesine veya suya girmesine neden olabilir ve bu da ölüm ya da ciddi yaralanma ile sonuçlanabilir.

**⚠ UYARI:** Geri geri gitmeden önce çim biçme traktörünün arkasında ne olduğuna dikkat edin. Mutlaka gerekli olmadıkça geri geri çim BİÇMEYİN. Geri geri gitmeden önce ve geri geri giderken çim biçme alanında çocukların, başka insanların veya evcil hayvanların olmadığından emin olmak için daima aşağıya ve arkanıza bakın. Bir anlık dikkatsizliğin ölüme veya ciddi yaralanmalara sebep olabileceğini unutmayın.

**⚠ UYARI:** Bu makineyi halka açık yollarda kullanmayın.

**⚠ UYARI:** Bir tıkanıklık olursa veya yabancı bir cisme çarparsanız motoru durdurun ve bataryaları sökün. Çim kırıntılarını, yaprakları, kiri ve tüm diğer birikintileri temizleyin, çim biçme traktöründe hasar olup olmadığını iyice kontrol edin ve traktörü yeniden çalıştırıp kullanmadan önce hasarı onarın.

### HIZ SABİTLEYİCİYİ (CCS) KULLANMA

#### Sürüş sırasında CCS'yi etkinleştirmek için (Şek. E22)

**NOT:** LCD ekranda gösterilen sürüş hızı seviyesi, hız sabitleyicide çim biçme traktörünün gerçek sürüş hızını tam olarak yansıtmayabilir. "Yenilemek" için hız ayar düğmelerinden birine ("←" veya "→") basın ve LCD ekranda sürüş hızı seviyesini ayarlayın.

**CCS'den çıkmak ve çim biçme traktörünü durdurmak için** aşağıdaki dört yoldan birini seçebilirsiniz:

- Gaz pedalına hafifçe basın ve ardından bırakın.
- Sol/sağ kolu operatöre doğru çekin ve ardından bırakın.
- Park freni pedalına basın.
- CCS düğmesine basın.

**NOT:** Mevcut CCS sürüş hızına ulaşmak için gaz pedalına sonuna kadar basın ve basmaya devam edin. CCS işlevi durur ve çim biçme traktörü mevcut hızda hareket etmeye devam eder.

### BAKIM

**⚠ UYARI:** Daima yan siperleri olan göz koruması kullanın. Aksi halde gözlerinize nesnelere fırlayabilir ve ciddi yaralanmalar oluşabilir.

**⚠ UYARI:** Bıçak bakımı sırasında dayanıklı eldivenler takarak ve/veya bıçağın keskin kenarlarına üstü�ü ve diđer malzemeleri sararak ellerinizi koruyun. Çim biçme traktörünü taşıırken veya bakım/onarım yaparken daima emniyet anahtarını ve bataryayı çıkarın.

Bakım Aralığı	Bakım Prosedürü
Her kullanımdan önce veya günlük	<ul style="list-style-type: none"> <li>Güvenlik kilidi sistemini kontrol edin.</li> <li>Lastiklerin şişirilip şişirilmediğini görsel olarak kontrol edin.</li> <li>Bıçakları inceleyin.</li> <li>Ürünün tamamını inceleyerek yan boşaltma oluđu, vidalar, somunlar, civatalar, kapaklar gibi parçalarda hasar, eksiklik veya gevşeklik olup olmadığını kontrol edin ve tüm emniyet tertibatının yerinde ve düzgün çalışır durumda olduğundan emin olun.</li> <li>Gaz pedalına basılabileceğinden ve düzgün bir şekilde bırakılabileceğinden emin olun ve kontrol edin.</li> <li>Direksiyon amortisörünü kontrol edin. Direksiyon simidi belirli bir dirençle döndürülmelidir.</li> </ul>
Her kullanımdan sonra	<ul style="list-style-type: none"> <li>Biçme haznesini temizleyin.</li> </ul>
25 saatte bir	<ul style="list-style-type: none"> <li>Lastik basıncını kontrol edin.</li> </ul>
100 saatte bir	<ul style="list-style-type: none"> <li>Arka tekerlekleri kontrol edin ve tüm somunlu civataların önerilen tork değerinde sıkıldığından emin olun.</li> </ul>
200 saatte bir	<ul style="list-style-type: none"> <li>Ön tekerlekleri kontrol edin ve serbestçe döndüklerinden emin olun.</li> </ul>

TR

Depolamadan önce	<ul style="list-style-type: none"> <li>Bataryaları çim biçme traktöründen çıkarın.</li> <li>Güvenlik anahtarını biçme makinesinden çıkarın.</li> <li>Yukarıda listelenen tüm bakım işlemlerini gerçekleştirin ve çim biçme traktörünü iyice temizleyin.</li> <li>Tüm ürünü hasarlı, eksik veya gevşek parçalar açısından inceleyin, depolamadan önce ilgili olanları deđiştirin veya sıkın.</li> </ul>
Yıllık	<ul style="list-style-type: none"> <li>Park freni pedalını kontrol edin. Bataryayı çim biçme traktöründen çıkarın ve park freni pedalını park konumuna getirin. Çim biçme traktörünün hareket edip etmediğini görmek için traktörü manuel olarak ileri itin. Hareket ediyorsa uzman bir servis teknisyenine bakımını yaptırın.</li> </ul>

## GENEL BAKIM

**Çim biçme traktörünün gövdesinin temizlenmesi (Şek. F1 - F2)**

**Biçme haznesini temizlemek için yıkama ağzının kullanılması (Şek. F3 – F4)**

F2-1	Yıkama Ağız	F2-2	Yıkama Ağız Hızlı Bağlantı Parçası
F2-3	Bahçe Hortumu		

**DİKKAT:** Temizlemeyi bitirirken, çim biçme traktörünü tamamen kapatın ve ardından bahçe hortumunu ve hızlı bağlantı elemanını çıkarın.

## BIÇME HAZNESİNİN VE KESME BIÇAKLARININ BAKIMI

**HAZIRLIK (Şek. G1)**

**Biçme haznesinin çıkarılması (Şek. G2 – G3)**

G2-1	Motor Kablosu	G2-2	Süspansiyon Bağlantısı
G2-3	Çatal Pim		

**DİKKAT:** Biçme haznesini çıkarırken tüm motor kablolarını ve çatal pimleri ayırın.

#### Kesme bıçaklarının değiştirilmesi (Şek. G4 - G6)

G4-1	Stabilizör	G5-1	Cıvata
G5-2	Rondela	G5-3	Testere
G5-4	Flanş	G5-5	Motor Mili

#### Biçme haznesini hizalama

##### a. Ne zaman hizalanmalı (Şek. G7 – G9)

##### b. Hizalamadan önce

- Soğuk lastik basıncının kontrol edilmesi (Şek. G10)
- Kesme bıçaklarını kontrol edin. Gerekirse aşınmış, çatlamış ve/veya bükülmüş bıçakları çıkarın ve değiştirin.

##### c. Hizalama hazırlığı (Şek. G11)

##### d. Hizalama yöntemi

- Yan yana hizalama yapmak için (Şek. G12)
- Ön arka hizalama yapmak için (Şek. G13)

### ÇİM BİÇME TRAKTÖRÜ İZLEME SİSTEMİNİN KALİBRASYONU (Şek. H1 – Şek. H2)

**DİKKAT:** Bip sesi göstergesi, hem kalibrasyon başladığında hem de kalibrasyon bittiğinde bir kez ses çıkarır.

**NOT:** Sürüş modlarından biri (“KONTROL”, “STANDART”, “SPOR”) için tamamlanan kalibrasyon, diğer iki mod için mevcut olmayabilir. Gerekliğinde her sürüş modunda direksiyon tekerleğini bağımsız olarak kalibre edin.

### ÇİM BİÇME TRAKTÖRÜNÜN İLK FABRİKA AYARLARINA SIFIRLANMASI (Şek. I)

**DİKKAT:** Bip sesi göstergesi, hem sıfırlama başladığında hem de sıfırlama bittiğinde bir kez ses çıkarır.

**NOT:** Sıfırlama başarılı olduğunda, aşağıdaki ayarlar ilk fabrika ayarlarına döner:

- sürüş modu
- sürüş hızı
- direksiyon simidinin kalibrasyonu

## DEPOLAMA ve TAŞIMA

### ÇİM BİÇME TRAKTÖRÜNÜ TAŞIMA (Şek. J1 – J5)

**DİKKAT:** Taşıma sırasında hareket etmesini önlemek için kayışlar ve kablolar kullanarak çim biçme traktörünü gerektiği gibi sabitleyin.

### DEPOLAMA (Şek. K1 – K2)

**DİKKAT:** Bataryaları çıkarın ve ilgili kılavuzdaki talimatlara göre depolayın.

Çim biçme traktörünü depolamadan önce “**ÇİM BİÇME TRAKTÖRÜNÜN TEMİZLENMESİ**” ve “**ÖNERİLEN BAKIM PROGRAMLARI**” bölümlerindeki talimatlara göre traktörün temizliğini ve kontrollerini yapın.

#### Çevre koruması




WEEE (Atık Elektrikli ve Elektronik Cihazlar) Elektrikli cihazları, kullanılmış bataryayı ve şarj cihazını evsel atıklarla bertaraf etmeyin! Bu ürünü yetkili bir geri dönüşüm merkezine götürün ve ayrı bir şekilde toplanmasını sağlayın. Elektrikli aletler çevreyle uyumlu bir geri dönüşüm tesisine götürülmelidir.

## SORUN GİDERME

SORUN	NEDENİ	ÇÖZÜM
Sıfır dönüşlü çim biçme traktörü, gaz pedalına basıldığında hareket etmiyor.	<ul style="list-style-type: none"> <li>Takılan bataryaların toplam Ah değeri gereksinimi karşılamıyor.</li> </ul>	<ul style="list-style-type: none"> <li>Bu çim biçme traktörünü çalıştırmak için <b>bu kılavuzdaki "BATARYAYI TAKMA/ÇIKARMA"</b> bölümünde yer alan talimatlara uygun olarak yeterli sayıda EGO bataryası kullanın.</li> </ul>
	<ul style="list-style-type: none"> <li>Park freni pedalı, frenleme konumuna getirilmiştir.</li> </ul>	<ul style="list-style-type: none"> <li>Frenleme konumundan çıkarmak için park freni pedalına tamamen basın.</li> </ul>
	<ul style="list-style-type: none"> <li>Çim biçme traktörü çalıştırıldığında çim biçme traktörü durum göstergesinin yeşil yanması için hem sol hem de sağ kol kısa süreliğine operatöre doğru çekilmemiştir.</li> </ul>	<ul style="list-style-type: none"> <li>Sol ve sağ kolların İKİSİNİ DE aynı anda operatöre doğru çekin ve ardından bırakın. Çim biçme traktörü durum göstergesi yeşil renkte yanar, bu da çim biçme traktörünün çalışmaya hazır olduğu anlamına gelir.</li> </ul>
	<ul style="list-style-type: none"> <li>Operatör koltukta oturmuyordur.</li> </ul>	<ul style="list-style-type: none"> <li>Sadece operatör doğru bir şekilde koltukta otururken çim biçme traktörü çalıştırılabilir.</li> </ul>
	<ul style="list-style-type: none"> <li>Koltuk anahtarı doğru bir şekilde bağlanmamıştır.</li> </ul>	<ul style="list-style-type: none"> <li>Bataryayı çim biçme traktöründen çıkarın ve kablo fişinin koltuğun altındaki sokete düzgün şekilde takıldığından emin olmak için bu kılavuzdaki <b>"KOLTUĞUN TAKILMASI"</b> bölümündeki talimatların tersini izleyerek koltuğu sökün. <b>"ÇİM BİÇME TRAKTÖRÜNÜ ÇALIŞTIRMA"</b> bölümündeki talimatları uygulayarak koltuğu yeniden takın ve çim biçme traktörünün çalışıp çalışmadığını görmek için traktörü yeniden başlatın. Sorun çözülmediyse onarım için yetkili bir servis teknisyeni ile iletişime geçin.</li> </ul>
	<ul style="list-style-type: none"> <li>Aşırı soğuk havalarda, düşük sıcaklık koruması nedeniyle sürüş işlevi başarıyla çalıştırılmayabilir.</li> </ul>	<ul style="list-style-type: none"> <li>Çim biçme traktörünü ve bataryayı daima sıcak bir ortamda depolayın. Çim biçme traktörünü ısındığında yeniden başlatın. Aşırı soğuk havalarda lütfen çok fazla çalıştırma denemesi yapmayın aksi halde makine hasar görebilir.</li> </ul>
	<ul style="list-style-type: none"> <li>Gaz pedalının hareket yolu artıklarla tıkanmıştır.</li> </ul>	<ul style="list-style-type: none"> <li>Artıkları kontrol edin ve temizleyin.</li> </ul>
	<ul style="list-style-type: none"> <li>Gaz pedalının mekanik veya elektronik bileşenlerinde arıza vardır.</li> </ul>	<ul style="list-style-type: none"> <li>Onarım için yetkili bir servis teknisyeni ile iletişime geçin.</li> </ul>

SORUN	NEDENİ	ÇÖZÜM
Sıfır dönüşlü çim biçme traktörü sürüşü durduruyor.	<ul style="list-style-type: none"> <li>Sol/Sağ kolun “sıfırlanması” gerekir.</li> </ul>	<ul style="list-style-type: none"> <li>Sol/sağ kolları operatöre doğru çekin ve bırakın. Durum göstergesi yeşil yandığında çim biçme traktörü sürüşe hazırdır.</li> </ul>
	<ul style="list-style-type: none"> <li>Gaz pedalının elektronik bileşenlerinde arıza vardır.</li> </ul>	<ul style="list-style-type: none"> <li>Onarım için yetkili bir servis teknisyeni ile iletişime geçin.</li> </ul>
	<ul style="list-style-type: none"> <li>Engelibeli bir arazide sürüş sırasında koltuk emniyeti ara kilit sisteminin bağlantısı kesilmiştir.</li> </ul>	<ul style="list-style-type: none"> <li>Bataryayı çim biçme traktöründen çıkarın ve kablo fişinin koltuğun altındaki sokete düzgün şekilde takıldığından emin olmak için bu kılavuzdaki “<b>KOLTUĞUN TAKILMASI</b>” bölümündeki talimatların tersini izleyerek koltuğu sökün. “<b>ÇİM BİÇME TRAKTÖRÜNÜ ÇALIŞTIRMA</b>” bölümündeki talimatları uygulayarak koltuğu yeniden takın ve çim biçme traktörünün çalışıp çalışmadığını görmek için traktörü yeniden başlatın. Sorun çözülmediyse onarım için yetkili bir servis teknisyeni ile iletişime geçin.</li> </ul>
	<ul style="list-style-type: none"> <li>Operatörün ağırlığı koltuğa eşit olarak dağıtılmamıştır. Koltuk emniyeti ara kilit sisteminin düzgün çalışması için operatörün koltukta ağırlığı en az 20 kg olmalıdır</li> </ul>	<ul style="list-style-type: none"> <li>Koltuğa düzgün bir şekilde oturun, sol/sağ kolu veya her iki kolu operatöre doğru çekin ve bırakın, ardından çim biçme traktörü sürüşe hazırdır.</li> </ul>
	<ul style="list-style-type: none"> <li>Sürüş hızını yavaşlatmak için park freni pedalına basılmıştır. Park freni pedalına yeterince basılmış ancak park konumuna getirilmemiştir, çim biçme traktörü durur.</li> </ul>	<ul style="list-style-type: none"> <li>Çim biçme traktörünü yeniden çalıştırmak için “<b>ÇİM BİÇME TRAKTÖRÜNÜ ÇALIŞTIRMA</b>” bölümündeki talimatları uygulayın.</li> </ul>
Sürüş modu sürüş sırasında ayarlanamaz.	<ul style="list-style-type: none"> <li>Bu durum, güvenli sürüş için sıfır dönüşlü çim biçme traktörünün bir özelliğidir.</li> </ul>	<ul style="list-style-type: none"> <li>İşlev, yalnızca çim biçme traktörü tekerlekleri durdurulduğunda etkinleşir.</li> </ul>

SORUN	NEDENİ	ÇÖZÜM
<p>Sıfır dönüşlü çim biçme traktörü PTO anahtarı etkinleştirildiğinde bıçakları çalıştırmıyor.</p>  <p>PTO Anahtarı simgesi yanıp söner</p>	<ul style="list-style-type: none"> <li>Takılan bataryaların toplam Ah değeri gereksinimi karşılamıyor.</li> </ul>	<ul style="list-style-type: none"> <li>Bu çim biçme traktörünü çalıştırmak için bu kılavuzdaki <b>"BATARYAYI TAKMA/ÇIKARMA"</b> bölümünde yer alan talimatlara uygun olarak yeterli sayıda EGO bataryası kullanın.</li> </ul>
	<ul style="list-style-type: none"> <li>Çim biçme traktörü en son kapatıldığında PTO anahtarı aşağı basılmamıştır.</li> </ul>	<ul style="list-style-type: none"> <li>Bıçak motorlarını yeniden başlatmak için PTO anahtarını aşağı ve ardından yukarı itin.</li> </ul>
	<ul style="list-style-type: none"> <li>Çim biçme traktörü, bıçaklar dönmeye başladığı anda aşırı yüklenmiş ve motorun kendini korumasını tetiklemiştir.</li> </ul>	<ul style="list-style-type: none"> <li>Çim biçme traktörünü önce düşük bıçak hızında başlatın ve bıçaklar başarıyla dönene kadar bıçak hızını artırmayın.</li> </ul>
	<ul style="list-style-type: none"> <li>Aşırı soğuk havalarda, düşük sıcaklık koruması nedeniyle bıçak motoru başarıyla çalıştıramaz.</li> </ul>	<ul style="list-style-type: none"> <li>Çim biçme traktörünü ve bataryayı daima sıcak bir ortamda depolayın. Çim biçme traktörünü ısındığında yeniden başlatın. Aşırı soğuk havalarda lütfen çok fazla çalışma denemesi yapmayın aksi halde makine hasar görebilir.</li> </ul>
	<ul style="list-style-type: none"> <li>Bıçaklar, deforme olmuş biçme haznesine takılıyordur</li> </ul>	<ul style="list-style-type: none"> <li>EGO Müşteri Hizmetlerini Arayın.</li> </ul>
	<ul style="list-style-type: none"> <li>Çim biçme traktörü "YOLCULUK" modu hızında hareket ediyordur.</li> </ul>	<ul style="list-style-type: none"> <li>Çim biçme traktörü "YOLCULUK" hızında giderken, bıçak motorları otomatik olarak duracaktır.</li> </ul>

SORUN	NEDENİ	ÇÖZÜM
Çim biçme sırasında bıçakların çalışması duruyor.	<ul style="list-style-type: none"> <li>Çim biçme traktörü aşırı yüklenmiştir.</li> </ul>	<ul style="list-style-type: none"> <li>Çim biçme traktörünün yükünü azaltmak için biçme haznesi kesim yüksekliğini artırın veya sürüş hızını azaltın.</li> </ul>
	<ul style="list-style-type: none"> <li>Biçme haznesi çim ve birikintiler nedeniyle tıkanmıştır.</li> </ul>	<ul style="list-style-type: none"> <li>Biçme haznesini temizleyin ve bıçakların serbestçe hareket ettiğinden emin olun.</li> </ul>
	<ul style="list-style-type: none"> <li>Çim biçme traktörü aşırı ısınmıştır.</li> </ul>	<ul style="list-style-type: none"> <li>Biçme haznesi kesim yüksekliğini artırarak veya bıçak/ sürüş hızını yavaşlatarak çim biçme traktörünün yükünü azaltın ve çim biçme traktörünün soğumasını bekleyin.</li> </ul>
	<ul style="list-style-type: none"> <li>Çim biçme traktörünün batarya bölümündeki bataryalar aşırı ısınmıştır ve bunun sonucunda tüm takılı bataryaların toplam Ah değeri gereksinimi karşılamamıştır.</li> </ul>	<ol style="list-style-type: none"> <li>Aşırı ısınan batarya dışında bataryaların toplam Ah gücü gereksinimi karşılırsa çim biçme traktörü çalışmaya devam edebilir. Aşırı ısınan batarya normal sıcaklığına döndüğünde hemen çim biçme traktörüne güç sağlayamaya katılacaktır.</li> </ol>
		<ol style="list-style-type: none"> <li>Toplam batarya Ah değeri gereksinimi karşılamıyorsa boş batarya bölmelerine daha fazla batarya takılana kadar çim biçme traktörü çalışmaz.</li> </ol>
		<ol style="list-style-type: none"> <li>Çalışmaya devam ederken biçme haznesi kesim yüksekliğini artırarak veya çim biçme traktörünü yavaşlatarak çim biçme traktörünün yükünü azaltın.</li> </ol>
	<ul style="list-style-type: none"> <li>Çim biçme traktörü koruma modundadır.</li> </ul>	<ul style="list-style-type: none"> <li>Çim biçme traktörü Koruma modundayken bıçaklar, otomatik olarak düşük dönüş hızına geçer. Operatörün çalışmayı durdurması ve en kısa sürede batarya şarj alanına sürmesi gerekir.</li> </ul>
	<ul style="list-style-type: none"> <li>Çim biçme traktörüne yabancı bir nesne çarpmıştır ve bu da motorun kendini korumasına neden olmuştur.</li> </ul>	<ul style="list-style-type: none"> <li>Bıçak motorlarını yeniden başlatmak için PTO anahtarını aşağı ve ardından yukarı itin.</li> </ul>
<ul style="list-style-type: none"> <li>Çim biçme traktörünün hızı "YOLCULUK" moduna ayarlanmıştır.</li> </ul>	<ul style="list-style-type: none"> <li>Çim biçme traktörünün hızı "YOLCULUK" modundayken bıçak motorları otomatik olarak durur.</li> </ul>	



SORUN	NEDENİ	ÇÖZÜM
Ses göstergesi ses çıkarmaya devam ediyor.	<ul style="list-style-type: none"> <li>Çim biçme traktörü Koruma modundadır ve bıçaklar açılmamıştır.</li> </ul>	<ul style="list-style-type: none"> <li>Bıçak motorlarını kapatmak için PTO anahtarını aşağı itin. Bıçak motorları kapatıldığında ses göstergesi ses çıkarmayı durdurur.</li> </ul>
	<ul style="list-style-type: none"> <li>Çim biçme traktörü eğimli bir yerde sürüşü durdurmuş ve operatör park freni pedalını frenleme konumuna getirmeden koltuktan kalkmıştır.</li> </ul>	<ul style="list-style-type: none"> <li>Çim biçme traktörünü eğimli bir yerde bırakmadan önce park freni pedalını frenleme konumuna getirin.</li> </ul>
Batarya göstergeleri, çim biçme traktörü kapatıldığında açık kalmaya devam ediyor.	<ul style="list-style-type: none"> <li>Çim biçme traktörü bataryalar çıkarılmadan zemin üzerinde kapatıldığında batarya göstergeleri, çalıştır/durdur düğmesi ve CCS düğmesi bir süre yanık kalır.</li> </ul>	<ul style="list-style-type: none"> <li>Herhangi bir işleme gerek yoktur. Çim biçme traktörü kapandıktan bir süre sonra batarya göstergeleri söner. Belirli bir süre için "<b>ÇİM BİÇME MAKİNESİ DURDURMA</b>" bölümüne bakın.</li> </ul>
	<ul style="list-style-type: none"> <li>Çim biçme traktörü park freni frenleme konumuna getirilmeden eğimli bir yerde kapatıldığında batarya göstergeleri batarya boşalana kadar yanmaya devam eder. Ses göstergesi de aynı zamanda ses çıkarmaya devam eder.</li> </ul>	<ul style="list-style-type: none"> <li>Çim biçme traktörünü eğimli bir yerde bırakmadan önce park freni pedalını frenleme konumuna getirin.</li> </ul>
Tüm simgeler açıkken LCD ekranının ışıkları yanmıyor.	<ul style="list-style-type: none"> <li>Çalıştır/durdur düğmesine yeterli bir süre basılmıştır.</li> </ul>	<ul style="list-style-type: none"> <li>Çalıştır/Durdur düğmesine kısa süre basıldığında LCD ekranda sadece "enerji seviyesi göstergesi" gösterilir.</li> </ul>
		<ul style="list-style-type: none"> <li>Çalıştır/Durdur düğmesine yeterli bir süre boyunca basıldığında LCD ekran açılır.</li> </ul>
Çim biçme traktörü, önden arkaya doğru önemli ölçüde yükseklik farklı olacak şekilde eşit olmayan kesim yapıyor.	<ul style="list-style-type: none"> <li>Bıçaklar körelmiştir.</li> </ul>	<ul style="list-style-type: none"> <li>Kesme bıçağını bu kılavuzdaki talimatlara göre keskin hale getirin veya değiştirin.</li> </ul>
	<ul style="list-style-type: none"> <li>Bıçaklar bükülmüştür.</li> </ul>	<ul style="list-style-type: none"> <li>Bükülmüş kesme bıçağını "<b>KESME BİÇAKLARININ DEĞİŞTİRİLMESİ</b>" bölümündeki talimatları uygulayarak değiştirin.</li> </ul>
	<ul style="list-style-type: none"> <li>Biçme haznesi hizalanmamıştır, bu da farklı kesme bıçağı yüksekliğine neden olmuştur.</li> </ul>	<ul style="list-style-type: none"> <li>Biçme haznesini "<b>BİÇME HAZNESİNİ HIZALAMA</b>" bölümündeki talimatları uygulayarak hizalayın.</li> </ul>



SORUN	NEDENİ	ÇÖZÜM
Fiili olarak gerçekleşen çim kesme yüksekliği belirtilen yükseklikle aynı hizada değil.	<ul style="list-style-type: none"> <li>Süspansiyon bağlantısındaki biçme haznesi somunları gevşemiştir.</li> </ul>	<ul style="list-style-type: none"> <li>Biçme haznesinin önden arkaya doğru hizalamasını düzeltmek için <b>“BİÇME HAZNESİNİ HİZALAMA”</b> bölümündeki talimatları uygulayın ve süspansiyon bağlantısındaki somunları sağlam bir şekilde sıkın.</li> </ul>
	<ul style="list-style-type: none"> <li>Biçme haznesi hasar görmüştür veya ciddi biçimde aşınmıştır.</li> </ul>	<ul style="list-style-type: none"> <li>Biçme haznesini değiştirmek için <b>“BİÇME HAZNESİNİ ÇIKARMA”</b> bölümündeki talimatları uygulayın.</li> </ul>
Çim biçme traktörü düzgün malçlama yapmıyor.	<ul style="list-style-type: none"> <li>Islak çim kırıntıları biçme haznesinin altına yapışmıştır.</li> </ul>	<ul style="list-style-type: none"> <li>Çim biçmeye başlamadan önce çimlerin kurummasını bekleyin.</li> </ul>
	<ul style="list-style-type: none"> <li>Çim biçme traktörü, bir defada çok fazla çim kesecek şekilde ayarlanmıştır.</li> </ul>	<ul style="list-style-type: none"> <li>Biçme haznesi kesim yüksekliğini artırın.</li> </ul>
Aşırı titreşim.	<ul style="list-style-type: none"> <li>Kesme bıçakları çok gevşektir.</li> </ul>	<ul style="list-style-type: none"> <li>Bıçak civatasını önerilen tork değerine sıkın.</li> </ul>
	<ul style="list-style-type: none"> <li>Bıçaklar bükülmüştür.</li> </ul>	<ul style="list-style-type: none"> <li>Bükülmüş kesme bıçağını <b>“KESME BİÇAKLARININ DEĞİŞTİRİLMESİ”</b> bölümündeki talimatları uygulayarak değiştirin.</li> </ul>
	<ul style="list-style-type: none"> <li>Biçme haznesi hizalanmamıştır.</li> </ul>	<ul style="list-style-type: none"> <li>Biçme haznesini <b>“BİÇME HAZNESİNİ HİZALAMA”</b> bölümündeki talimatları uygulayarak hizalayın.</li> </ul>
	<ul style="list-style-type: none"> <li>Süspansiyon bağlantısındaki biçme haznesi somunları gevşemiştir.</li> </ul>	<ul style="list-style-type: none"> <li>Süspansiyon bağlantısı üzerindeki somunları sıkın.</li> </ul>
	<ul style="list-style-type: none"> <li>Çim biçme traktörü, bir defada çok fazla çim kesecek şekilde ayarlanmıştır.</li> </ul>	<ul style="list-style-type: none"> <li>Biçme haznesi kesim yüksekliğini artırın.</li> </ul>
Çim biçtikten sonra zeminde çim veya birikintiler kalıyor.	<ul style="list-style-type: none"> <li>Çim biçme traktörü, çimler uzunken bir defada çok fazla çim kesecek şekilde ayarlanmıştır.</li> </ul>	<ul style="list-style-type: none"> <li>Yüksek bir kesim uzunluğu ile başlayın ve istenilen biçme uzunluğunu elde edene kadar uzunluğu azaltın. 152 mm'den daha uzun çimler, arka arkaya daha kısa kesim uzunluklarında iki kez biçilmelidir.</li> </ul>
	<ul style="list-style-type: none"> <li>Çimler ıslaktır.</li> </ul>	<ul style="list-style-type: none"> <li>Çimler ıslakken kuruyana kadar biçmeyin.</li> </ul>
	<ul style="list-style-type: none"> <li>Sürüş hızı çok yüksektir.</li> </ul>	<ul style="list-style-type: none"> <li>Sürüş hızını düşürün.</li> </ul>
	<ul style="list-style-type: none"> <li>Bıçak hızı çok düşüktür.</li> </ul>	<ul style="list-style-type: none"> <li>Bıçak hızını kademeli olarak artırın.</li> </ul>
Dahili batarya ile birlikte çim biçme traktörünün çalışma süresi kısa sürüyor.	<ul style="list-style-type: none"> <li>Çim arazi, çim koşulları, kesme yüksekliği ayarı, sürüş hızı, bıçak hızı vb. çalışma süresini büyük ölçüde etkileyecektir.</li> </ul>	<ul style="list-style-type: none"> <li>Kesme yükünü azaltmak için biçme haznesi kesim yüksekliğini artırın ve sürüş hızını azaltın.</li> </ul>


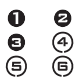

SORUN	NEDENİ	ÇÖZÜM
Çim biçme traktörü yolu düzgün izlemiyor.	<ul style="list-style-type: none"> <li>Sağ ve sol arka tekerleklerin lastik basınçları farklıdır.</li> </ul>	<ul style="list-style-type: none"> <li>“TEKNİK ÖZELLİKLER” bölümüne göre her iki arka tekerlek lastiğindeki hava basıncını kontrol edin ve ayarlayın.</li> </ul>
	<ul style="list-style-type: none"> <li>Sağ ve sol arka tekerleklerin sürüş hızları farklıdır.</li> </ul>	<ul style="list-style-type: none"> <li>Direksiyon simidini “ÇİM BİÇME TRAKTÖRÜ İZLEME SİSTEMİNİN KALİBRASYONU” bölümündeki talimatları uygulayarak kalibre edin.</li> </ul>
Park freni pedalı park konumundan serbest bırakılmıyor veya pedal yavaş geri geliyor.	<ul style="list-style-type: none"> <li>Park freni pedalının içine birikinti veya kir girmiş olabilir.</li> </ul>	<ul style="list-style-type: none"> <li>Park freni pedal kutusunu açarak kutunun içini iyice temizleyin ve kutuyu kapatın. Sorunun çözülüp çözülmediğini görmek için park freni pedalını sıfırlayın. Sorun çözülmediyse onarım için yetkili bir servis teknisyeni ile iletişime geçin.</li> </ul>
Çim biçme traktörü durum göstergesi sabit kırmızı yanarken şarj bağlantı noktası üzerinden şarj edilemiyor.	<ul style="list-style-type: none"> <li>Şarj cihazının fişi, çim biçme traktöründeki şarj bağlantı noktasına doğru takılmamıştır.</li> </ul>	<ul style="list-style-type: none"> <li>Çim biçme traktörünün normal şekilde şarj olup olmadığını görmek için şarj fişini yeniden takın.</li> </ul>
	<ul style="list-style-type: none"> <li>Elektrik prizinde elektrik yoktur.</li> </ul>	<ul style="list-style-type: none"> <li>Herhangi bir işleme gerek yoktur. Güç geri gelene kadar bekleyin.</li> </ul>
	<ul style="list-style-type: none"> <li>Şarj cihazı arızalıdır.</li> </ul>	<ul style="list-style-type: none"> <li>İnceleme için EGO Müşteri Hizmetleri Merkezini arayın ve gerekirse şarj cihazını tamir ettirin.</li> </ul>
	<ul style="list-style-type: none"> <li>Çim biçme traktöründeki şarj cihazı bağlantı noktası arızalıdır.</li> </ul>	<ul style="list-style-type: none"> <li>EGO Müşteri Hizmetlerini Arayın.</li> </ul>
Çim biçme traktörü şarj bağlantı noktası üzerinden şarj etme süresi çok uzun sürüyor.	<ul style="list-style-type: none"> <li>Şarj için ACA1000 EGO Adaptörünü kullanmak daha uzun süre gerektirir.</li> </ul>	<ul style="list-style-type: none"> <li>Sıfır dönüşlü çim biçme traktörünü doğrudan şarj etmek için CHV1600E EGO şarj cihazını kullanın.</li> </ul>
Batarya, çim biçme traktörü şarj bağlantı noktası üzerinden tamamen şarj edilemiyor.	<ul style="list-style-type: none"> <li>Çim biçme traktöründe cihaz yazılımı hatası vardır veya bataryanın ya da şarj cihazında arıza vardır.</li> </ul>	<ul style="list-style-type: none"> <li>Şarj cihazını fişten çekip birkaç dakikadan uzun süre bekleyerek şarj cihazını sıfırlayın. Ardından fişi güç kaynağına yeniden takın. Bu işlem sorunu çözmezse EGO Müşteri Hizmetleri Merkezini arayın.</li> </ul>
Çim biçme traktörü temizlikten sonra çalıştırmıyor.	<ul style="list-style-type: none"> <li>Elektrikli parçalara, LCD ekrana su girmesi gibi uygun olmayan şekilde temizlik yapılmıştır.</li> </ul>	<ul style="list-style-type: none"> <li>Çim biçme traktörünü doğru şekilde temizlemek için “GENEL BAKIM” bölümündeki talimatları izleyin.</li> </ul>
		<ul style="list-style-type: none"> <li>Çim biçme traktörü yanlışlıkla yağmura yakalanırsa açık havada kurumaya bırakın veya kurutmak için basınçlı hava kullanın.</li> </ul>


SORUN	NEDENİ	ÇÖZÜM
Bıçme haznesi çabuk tıkanıyor.	<ul style="list-style-type: none"> <li>■ Bıçme haznesi önceki kullanımdan sonra düzgün temizlenmemiştir.</li> </ul>	<ul style="list-style-type: none"> <li>■ <b>“BİÇME HAZNESİNİ TEMİZLEMELİK İÇİN YIKAMA AĞZINI KULLANMA”</b> bölümüne uygun olarak her kullanımdan sonra bıçme haznesini temizleyin.</li> </ul>
Çim bıçme traktörü yokuş yukarı çıkarken çekim gücünü kolayca kaybediyor.	<ul style="list-style-type: none"> <li>■ Arka tekerleklerin lastikleri aşınmıştır.</li> </ul>	<ul style="list-style-type: none"> <li>■ Tekerlek lastiklerini değıştirmek için yerel servise başvurun.</li> </ul>
	<ul style="list-style-type: none"> <li>■ Dik bir yamaçta bıçme yapıyordur.</li> </ul>	<ul style="list-style-type: none"> <li>■ Çim bıçme traktörü, gerekli dereceden daha dik yokuşları bıçmek için kullanılmamalıdır.</li> </ul>
Çim bıçme traktörü park freni pedalına basılı olarak eğimli bir yerde durduğunda traktör yokuş aşağı yuvarlanabiliyor.	<ul style="list-style-type: none"> <li>■ Çim bıçme traktörünün hatalı kullanımını nedeniyle fren parçaları aşırı bıçimde aşınmıştır.</li> </ul>	<ul style="list-style-type: none"> <li>■ Onarım için EGO Müşteri Hizmetleri Merkezini arayın.</li> </ul>
Bıçme haznesini yıkamaya çalışırken yıkama ağzından su gelmiyor.	<ul style="list-style-type: none"> <li>■ Yıkama ağzı hızlı bağlantı parçası, yıkama ağzına düzgün takılmamıştır.</li> </ul>	<ul style="list-style-type: none"> <li>■ Yıkama ağzı hızlı bağlantı parçasını yeniden takın ve net bir tık sesi duyana kadar sıkıca itin. Bu çözüm işe yaramazsa EGO Müşteri Hizmetleri Merkezini arayın.</li> </ul>
Çim bıçme traktörünü çalıştırmadan manuel olarak itinince anormal bir ses duyuluyor.	<ul style="list-style-type: none"> <li>■ Tahrik motorunun içindeki mıknatıslardan ses geliyordu.</li> </ul>	<ul style="list-style-type: none"> <li>■ Bu durum normaldir ve herhangi bir işleme gerek yoktur.</li> </ul>
Direksiyon simidi döndürülemiyor.	<ul style="list-style-type: none"> <li>■ Direksiyon simidi tertibatı artıklarla tıkanmıştır.</li> </ul>	<ul style="list-style-type: none"> <li>■ Artıkları kontrol edin ve temizleyin.</li> </ul>
Direksiyon simidini döndürünce çim bıçme traktörü sola/sağa dönmüyor.	<ul style="list-style-type: none"> <li>■ Elektronik veya mekanik bileşenlerde arıza vardır.</li> </ul>	<ul style="list-style-type: none"> <li>■ Onarım için EGO Müşteri Hizmetleri Merkezini arayın.</li> </ul>
Gaz pedalını bırakınca çim bıçme traktörü durmuyor.	<ul style="list-style-type: none"> <li>■ Gaz pedalının dönüş yolu artıklarla tıkanmıştır.</li> </ul>	<ul style="list-style-type: none"> <li>■ Artıkları kontrol edin ve temizleyin.</li> </ul>
	<ul style="list-style-type: none"> <li>■ Sürüş sırasında CCS düğmesine yanlışlıkla basılmıştır. Çim bıçme traktörü hız sabitleme modundadır</li> </ul>	<ul style="list-style-type: none"> <li>■ LCD ekranda CCS simgesinin yanıp yanmadığını kontrol edin ve gerekirse CCS'den çıkın. <b>“HIZ SABİTLEYİCİYİ (CCS) KULLANMA”</b> bölümüne bakın</li> </ul>
CCS işlevi etkinleştirilemiyor veya kapatılmıyor.	<ul style="list-style-type: none"> <li>■ CCS düğmesine düzgün basılmamıştır.</li> </ul>	<ul style="list-style-type: none"> <li>■ CCS simgesi LCD ekranda yanana veya LCD ekrandan kaybolana kadar CCS düğmesine basın.</li> </ul>


SORUN	NEDENİ	ÇÖZÜM
Sol/sağ kol(lar) operatöre doğru çekildiğinde çim biçme traktörü geri hareket edemiyor.	■ Çim biçme traktörü durum göstergesi yeşil renkte yanmıyor ve biçme makinesi sürüşe hazır değildir.	■ Çim biçme traktörü durum göstergesinin yeşil göstermesi ve çim biçme traktörünün sürüşe hazır hale gelmesi için “ÇİM BİÇME TRAKTÖRÜNÜ ÇALIŞTIRMA” bölümünü izleyin.
	■ Sol/sağ kol(lar) operatöre doğru düzgün çekilmemiştir.	■ Bir “klik” sesi duyulana kadar sol kolu veya sağ kolu veya her iki kolu aynı anda operatöre doğru çekin.
	■ Sol/sağ kol(lar) operatöre doğru çekilmemiştir.	■ Geriye doğru sürmek için kollardan en az birinin operatöre doğru çekilmiş durumda tutulması gerekir.
	■ Sol/sağ kol(lar) kırılmıştır.	■ Onarım için yetkili bir servis teknisyeni ile iletişime geçin.

# ÇİM BİÇME TRAKTÖRÜ DURUM REFERANSI VE ARIZA KODU

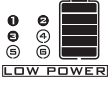



LCD Ekran	Açıklama	LCD'deki Arıza Kodu	Çim Biçme Traktörü Durum Göstergesi	Bip sesi	Nedeni	Çözüm
	LED Işıkları Simgesi LCD ekranda gösterilir.	Yok	KAPALI	Hayır	Farlar, yan lambalar ve arka lambalar LED lamba anahtarı ile açılmıştır.	Bu durum normaldir. Herhangi bir işleme gerek yoktur.
	USB Simgesi LCD ekranda gösterilir.	Yok	KAPALI	Hayır	USB simgesi, çim biçme traktörü doğru şekilde çalıştırdıktan sonra bir USB cihazının çalıştırılabileceğini gösterir.	Bu durum normaldir. Herhangi bir işleme gerek yoktur.
	Enerji Seviyesi Göstergesi Simgesi LCD ekranda gösterilir.	Yok	KAPALI	Hayır	Takılı bataryalar için ortalama şarj kapasitesini gösterir.	Bu durum normaldir. Herhangi bir işleme gerek yoktur.
	Saat Ölçer Simgesi LCD ekranda gösterilir.	Yok	KAPALI	Hayır	Çim biçme traktörünün toplam sürüş süresini saat cinsinden gösterir ve sıfırlanamaz.	Bu durum normaldir. Herhangi bir işleme gerek yoktur.
	ECO aralığında yük göstergesi simgesi gösterilir.	Yok	KAPALI	Hayır	Çim biçme traktörünün mevcut yükünü gösterir.	Bu durum normaldir. Herhangi bir işleme gerek yoktur.
	Geri Simgesi LCD ekranda gösterilir.	Yok	KAPALI	Hayır	Çim biçme traktörünün geri gittiğini gösterir.	Bu durum normaldir. Herhangi bir işleme gerek yoktur.
	Emniyet anahtarı simgesi yanıp söner.	Yok	KAPALI	Hayır	Emniyet anahtarı takılı değildir.	Çim biçme traktörünü çalıştırmak için emniyet anahtarını takın ve ardından ÇALIŞTIR/ DURDUR düğmesini basılı tutun.
					Anahtar Kontrol Paneli Kutu Tertibatı bozuktur.	Yetkili bir servis teknisyeni tarafından onarılmasını sağlayın.

LCD Ekran	Açıklama	LCD'deki Arıza Kodu	Çim Biçme Traktörü Durum Göstergesi	Bip sesi	Nedeni	Çözüm
	Belirli bir batarya bölmesinin simgesi yanıp söner.	Yok	KAPALI	Hayır	Aşırı akım nedeniyle belirli bir batarya boşalıyordur.	Herhangi bir işleme gerek yoktur. Aşırı akımlı batarya dışında bataryaların toplam Ah gücü gereksinimi karşılarsa çim biçme traktörü çalışmaya devam edebilir. Aşırı akımlı batarya normale döndüğünde hemen çim biçme traktörüne güç sağlar ve simge kaybolur.
	Boş batarya bölmesi simgesi yanıp söner.	Yok	KAPALI	Hayır	Çim biçme traktörünün çalışması için batarya kapasitesi yeterli değildir.	Bu çim biçme traktörünü çalıştırmak için bu kılavuzdaki " <b>BATARYAYI TAKMA/ÇIKARMA</b> " bölümünde yer alan talimatlara uygun olarak yeterli sayıda EGO bataryası kullanın.
	Aşırı yük göstergesi yanıp sönüyor	Yok	Kırmızı yanar	Tek bip	<p>Bıçak motoruna aşırı yüklenilmiştir.</p> <p>Yan boşaltma oluğu çim ve döküntülerle tıkanmıştır.</p> <p>Bıçak ve biçme haznesi arasında bir parazit vardır.</p>	<p>Çim biçme traktörünün yükünü azaltmak için biçme haznesinin kesim yüksekliğini artırın veya sürüş hızını azaltın.</p> <p>Her kullanımdan sonra yan boşaltma oluğunu temizleyin.</p> <p>EGO Müşteri Hizmetlerini Arayın</p>





LCD Ekran	Açıklama	LCD'deki Arıza Kodu	Çim Biçme Traktörü Durum Göstergesi	Bip sesi	Nedeni	Çözüm
	Sıcaklık simgesi yanıp söner.	Yok	KAPALI	Tek bip	Çim biçme traktörü aşırı ısınmıştır.	Biçme haznesi kesim yüksekliğini artırarak veya bıçak/sürüş hızını yavaşlatarak çim biçme makinesinin yükünü azaltın. Biraz ara verin ve çim biçme traktörünün soğumasını bekleyin.
					Çim biçme traktörü çok soğuktur.	Lütfen makineye hasar verebilecek tekrarlı denemeler yapmayın. Çim biçme traktörünü ve bataryaları daima ılık bir ortamda depolayın. Çim biçme traktörünü ısındığında yeniden başlatın.

LCD Ekran	Açıklama	LCD'deki Arıza Kodu	Çim Biçme Traktörü Durum Göstergesi	Bip sesi	Nedeni	Çözüm
	Sıcaklık simgesi ve tam kullanılan batarya bölmesi simgesi aynı anda yanıp söner.	Yok	KAPALI	Hayır	İlgili batarya. Numaralı batarya bölmesi aşırı ısınmıştır.	<p>1. Aşırı ısınan batarya dışında bataryaların toplam Ah gücü gereksinimi karşılırsa çim biçme traktörü çalışmaya devam edebilir. Aşırı ısınan batarya normal sıcaklığına döndüğünde hemen çim biçme traktörüne güç sağlayamaya katılacaktır.</p> <p>2. Toplam batarya Ah değeri yeterli değilse boş batarya bölmelerine daha fazla batarya takılana kadar çim biçme traktörü çalışmaz.</p> <p>3. Çalışmaya devam ederken biçme haznesi kesim yüksekliğini artırarak veya çim biçme traktörünü yavaşlatarak çim biçme traktörünün yükünü azaltın.</p>



LCD Ekran	Açıklama	LCD'deki Arıza Kodu	Çim Bıçme Traktörü Durum Göstergesi	Bip sesi	Nedeni	Çözüm
	LCD ekranda her kullanılan batarya bölümü simgeleri, düşük güç göstergesi ve enerji seviyesi her 1 saniyede aynı anda yanıp söner. İlk LED enerji seviyesi göstergesi ve çim biçme traktörü durum göstergesi de yanıp söner.	Yok	Kırmızı yanar	PTO anahtarını aşağı doğru itene kadar bip sesi çıkarmaya devam eder.	Bataryaların şarjı azdır ve çim biçme traktörü Koruma modundadır.	Çalışmayı durdurun ve batarya şarj alanına geri dönün. <b>NOT:</b> Çim biçme traktörü Koruma modundayken bıçaklar, otomatik olarak düşük dönüş hızına geçer ve bu sırada ses göstergesi bip sesi çıkarmaya devam eder. Operatör, bıçak motorlarını kapatmak için PTO anahtarını aşağı doğru itmelidir. Bıçaklar durduktan sonra ses göstergesinin bip sesi duracaktır.
	Her dolu batarya bölümünün simgesi ve düşük güç göstergesi her yarım saniyede bir yanıp söner, ilk LED enerji seviyesi göstergesi de her yarım saniyede bir kırmızı yanıp söner.	Yok	Kırmızı yanar	Bip sesi çıkarmaya devam eder	Bataryalar bitmek üzeredir.	Çim biçme traktörü hemen çalışmayı durdurur. Operatörün çim biçme traktörünü şarj için batarya şarj alanına götürmesi gerekir.
	LCD ekranda otomatik park simgesi yanıp söner.	Yok	KAPALI	Bip sesi çıkarmaya devam eder	Çim biçme traktörü bir yokuşta park edilmiştir ve operatör, park freni pedalını fren konumunda ayarlamadan çim biçme traktöründen ayrılmıştır.	Fren pedalını frenleme konumuna getirin. Otomatik park simgesi söner ve ses göstergesi ses çalmayı durdurur.
	Fren pedalı simgesi LCD ekranda gösterilir	Yok	KAPALI	Hayır	Park freni pedalı frenleme konumuna getirilmiştir.	Çim biçme traktörünü çalıştırmadan önce freni bırakın.

**NOT:** LCD ekranda bir arıza kodu görünürse tüm bataryaları çıkarın ve birkaç dakika sonra tekrar takın. Bu işlem sorunu çözmezse aşağıdaki hata kodu sorun giderme adımlarını izleyin.

LCD Ekran	Açıklama	LCD'deki Arıza Kodu	Çim Biçme Traktörü Durum Göstergesi	Bip sesi	Nedeni	Çözüm
	Koltuk sensörü simgesi LCD ekranda gösterilir	Yok	KAPALI	Hayır	Operatör koltuktan kalkmıştır veya koltuk emniyeti ara kilit sistemi devre dışı kalmıştır.	Operatör koltukta otururken simge yanıyorsa çim biçme traktörünü kullanmayı hemen bırakın ve koltuk bağlantısını kontrol edin. Çim biçme traktörünün koltuk bağlantısı doğruysa lütfen onarım için yetkili bir servis teknisyeni ile iletişime geçin.
	PTO Anahtarı simgesi yanıp söner	Yok	KAPALI	Hayır	Bıçak motorunun çalışması kesilmiştir ve PTO anahtarı kapalı konuma getirilmemiştir.	Çim biçme traktörünü yeniden başlatmadan önce bıçak motorlarını kapatmak için PTO düğmesini aşağı itin. Referans için bu kılavuzun " <b>SORUN GİDERME</b> " bölümüne bakabilirsiniz.
	Enerji rejenerasyonu simgesi ara sıra yanıp söner.	Yok	KAPALI	Hayır	Frenleme veya aşağı yönlü sürüş sırasında oluşan kinetik enerji bataryaları şarj etmek için elektrik enerjisine dönüştürülmüştür.	Bu durum normaldir. Herhangi bir işleme gerek yoktur.
	CCS simgesi yanıp söner	Yok	KAPALI	Hayır	CCS (hız sabitleme sistemi) işlevi çalışmamıştır.	Çim biçme traktörü çok düşük hızda giderken veya geri giderken CCS işlevi ayarlanamaz.

LCD Ekran	Açıklama	LCD'deki Arıza Kodu	Çim Bıçme Traktörü Durum Göstergesi	Bip sesi	Nedeni	Çözüm	
Bkz. "Arıza Kodu"	Sol tahrik motoru dönemez.	PCBA kontrollü sol tahrik motoru arızalıdır.	413	KAPALI	Tek bip	PCBA arızası	Yetkili bir servis teknisyeni tarafından onarılmasını sağlayın.
		Sol tahrik motorunu ilgili PCBA'ya bağlayan fiş (üç fazlı, güç kablosu) gevşemiştir.	317	KAPALI	Tek bip	Gevşek bağlantı	
		Sol tahrik motorunu ilgili PCBA'ya bağlayan fiş (altı pimli, sinyal kablosu) gevşemiştir.	301	KAPALI	Tek bip	Gevşek bağlantı	
		Sol tahrik motoru arızalıdır.	317	KAPALI	Tek bip	Motor arızası	

LCD Ekran	Açıklama	LCD'deki Arıza Kodu	Çim Biçme Traktörü Durum Göstergesi	Bip sesi	Nedeni	Çözüm	
Bkz. "Arıza Kodu"	Sağ tahrik motoru dönemez.	PCBA kontrollü sağ tahrik motoru arızalıdır.	313	KAPALI	Tek bip	PCBA arızası	Yetkili bir servis teknisyeni tarafından onarılmasını sağlayın.
		Sağ tahrik motorunu ilgili PCBA'ya bağlayan fiş (üç fazlı, güç kablosu) gevşemiştir.	417	KAPALI	Tek bip	Gevşek bağlantı	
		Sağ tahrik motorunu ilgili PCBA'ya bağlayan fiş (altı pimli, sinyal kablosu) gevşemiştir.	401	KAPALI	Tek bip	Gevşek bağlantı	
		Sağ tahrik motoru arızalıdır.	417	KAPALI	Tek bip	Motor arızası	
Bkz. "Arıza Kodu"	Sol bıçak motoru dönemez.	PCBA kontrollü sol bıçak motoru arızalıdır.	607	Yok	Tek bip	PCBA arızası	Yetkili bir servis teknisyeni tarafından onarılmasını sağlayın.
		Sol bıçak motorunu ilgili PCBA'ya bağlayan fiş (üç fazlı, güç kablosu) gevşemiştir.	509	Yok	Tek bip	Gevşek bağlantı	Önce bıçağı kontrol edin. Cıvata gevşemişse önerilen torkla sıkın. Ya da yetkili bir servis teknisyeni tarafından onarılmasını sağlayın.
		Sol bıçak motoru arızalıdır.	509	Yok	Tek bip	Motor arızası	

TR

LCD Ekran	Açıklama	LCD'deki Arıza Kodu	Çim Bıçme Traktörü Durum Göstergesi	Bip sesi	Nedeni	Çözüm	
Bkz. "Arıza Kodu"	Sağ bıçak motoru dönemez.	PCBA kontrollü sağ bıçak motoru arızalıdır.	507	Yok	Tek bip	PCBA arızası	Yetkili bir servis teknisyeni tarafından onarılmasını sağlayın.
		Sağ bıçak motorunu ilgili PCBA'ya bağlayan fiş (üç fazlı, güç kablosu) gevşemiştir.	609	Yok	Tek bip	Gevşek bağlantı	Önce bıçağı kontrol edin. Cıvata gevşemişse önerilen torkla sıkın. Ya da yetkili bir servis teknisyeni tarafından onarılmasını sağlayın.
		Sağ bıçak motoru arızalıdır.	609	Yok	Tek bip	Motor arızası	
Bkz. "Arıza Kodu"	Gaz pedalı arızalıdır.	311/411	KAPALI	Tek bip	PCBA arızası	Yetkili bir servis teknisyeni tarafından onarılmasını sağlayın.	
		307/407			Gevşek bağlantı		
Bkz. "Arıza Kodu"	Direksiyon simidi arızalıdır.	312/412	KAPALI	Tek bip	PCBA arızası	Yetkili bir servis teknisyeni tarafından onarılmasını sağlayın.	
					Gevşek bağlantı		
Bkz. "Arıza Kodu"	Park freni arızalıdır, çim biçme traktörü sürülemez.	Ön şase aksamındaki PCBA park freni arızalıdır.	309/409	KAPALI	Tek bip	PCBA arızası	Yetkili bir servis teknisyeni tarafından onarılmasını sağlayın.
		Park freni anahtarı ve/veya kablosu arızalıdır.	801	KAPALI	Tek bip	Kablo/Anahtar arızası	

LCD Ekran	Açıklama	LCD'deki Arıza Kodu	Çim Biçme Traktörü Durum Göstergesi	Bip sesi	Nedeni	Çözüm
KAPALI	Şarj Bağlantı Noktası Arızası	Yok	Sabit Kırmızı	Yok	Şarj bağlantı noktası açık devrededir.	Yetkili bir servis teknisyeni tarafından onarılmasını sağlayın.
		Yok	Sabit Kırmızı	Yok	Güç kaynağı yoktur.	Prizde 220 - 240 V olup olmadığını veya soketin iyi durumda olup olmadığını kontrol edin.
		Yok	Sabit Kırmızı	Yok	Sigorta atmıştır.	Yetkili bir servis teknisyeni tarafından onarılmasını sağlayın.
Bkz. "Arıza Kodu"	Şarj Bağlantı Noktası Arızası	204	Yok	Tek bip	Şarj bağlantı noktası açık devrededir.	Yetkili bir servis teknisyeni tarafından onarılmasını sağlayın.
Bkz. "Arıza Kodu"	Batarya Kutusu Tertibatı çalışmıyor.	217	Yok	Tek bip	Batarya Kutusu tertibatından sağlanan güç kaynağı arızalıdır. LED farlar ve USB çalışmaz.	Yetkili bir servis teknisyeni tarafından onarılmasını sağlayın.
		310/410	KAPALI	Tek bip	Batarya Kutusu tertibatının Type C kabloları ile çim biçme traktörünün diğer Type C kabloları arasındaki bağlantı bozuktur.	
		201/202/203	KAPALI	Tek bip	Batarya Kutusu tertibatının BMS'si bozuktur.	
Bkz. "Arıza Kodu"	Çalıştır/Durdur Düğmesi Arızası	314/414	KAPALI	Tek bip	PCBA anahtarı arızası vardır veya Çalıştır/Durdur Düğmesinin kablo bağlantısı bozuktur.	Yetkili bir servis teknisyeni tarafından onarılmasını sağlayın.



LCD Ekran	Açıklama	LCD'deki Arıza Kodu	Çim Bıçme Traktörü Durum Göstergesi	Bip sesi	Nedeni	Çözüm
Bkz. "Arıza Kodu"	LCD Ekran Arızası	315/415	KAPALI	Tek bip	LCD tertibatı veya LCD tertibatının kablo bağlantısı bozuktur.	Yetkili bir servis teknisyeni tarafından onarılmasını sağlayın.

## GARANTİ

### EGO GARANTİ POLİTİKASI

EGO Garanti Politikasına ilişkin tüm hükümler ve koşullar için lütfen [egopowerplus.com](http://egopowerplus.com) adresindeki web sitemizi ziyaret edin.

TR

# LUGEGE LÄBI KÕIK JUHISED!



LUGEGE KASUTUSJUHENDIT

## OHUTUSSÜMBOL

Ohutussümbolite eesmärk on pöörata tähelepanu võimalikele ohtudele. Ohutussümbolitele ja nende juures olevatele seletustele tuleb korralikult tähelepanu pöörata ja need endale selgeks teha. Ohutussümbolid iseenesest ei kõrvalda ohtu. Nendega kaasnevad juhendid ja hoiatused ei asenda asjakohaseid õnnetuste ennetamise meetmeid.

**⚠ HOIATUS:** Enne käesoleva seadme kasutamist lugege kindlasti läbi ja tehke endale selgeks kõik kasutusjuhendis toodud ohutusjuhised, sh kõik ohutussümbolid nagu „OHT,” „HOIATUS,” ja „ETTEVAATUST”. Kui allpool loetletud juhiseid ei järgita, võib tagajärjeks olla elektrilöök, tulekahju ja/või tõsised isikuvigastused.

## SÜMBOLITE TÄHENDUSED

Sel lehel on kujutatud ja kirjeldatud ohutussümboleid, mida võib käesolevalt tootelt leida. Enne seadme kokkupanemist ja kasutamist lugege, tehke omale selgeks ja järgige kõiki juhiseid.

## OHUTUSSÜMBOLID



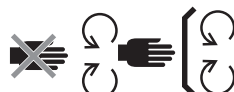
Ohutusteade



Lugege kasutusjuhend läbi ja tehke see endale selgeks



Silmade kaitse



Ohutusseadiste hooldamine



OHT – järsu kallaku oht



OHT – hoidke kõrvalised isikud löiketeradest eemal



Ärge kunagi sõidutage niidukil lapsi



Vaadake tagurdamisel enda taha

ET



HOIATUS - Ärge kasutage seda masinat kallakutel, mis on suurema nurgaga kui 12°.



OHT – viskuvad esemed



HOIATUS – HOIDKE KÄED JA JALAD EEMAL



Garanteeritud helivõimsuse tase. Vastavuses Euroopa Ühenduse direktiiviga.





Ärge peale astuge



Toode vastab kohaldatavatele EÜ direktiividele.



Alalisvool

kPa

Kilopaskal

V

volti

tolli

Toll

Nm

Njuutonmeeter

°C

Celsius

km/h

Kilomeetrit tunnis



Elektriseadmete jäätmeid ei tohi visata olmejäätmete hulka. Viige volitatud taaskäitleja juurde.



TÄHELEPANU - Ärge vaadake töötava valgusti suunas.



Toode vastab kohaldatavatele Ühendkuningriigi õigusaktidele.

p/min

Pööret minutis

m

Meetrid

cm

Sentimeetrid

mm

Millimeetrit

kg

Kilogramm

IPX4

Kaitseklass

## OHUTUSSÜMBOLID



Teave tuleb üles märkida



Näidatud toiming peatub

## SPETSIFIKATSIOONID

Pinge	56 V	
Aluse suurus	107 cm	
Ratta suurus	Eesmine	279,4 x 101,6 - 127 mm
	Tagumine	457,2 x 241,3 - 203,2 mm
Külma rehvi rõhk	Eesmine	222,1 kPa
	Tagumine	110,3 kPa
Pöörderaadius	0	
Terakiirus (p/min)	2400; 2600; 2800; 3000	
Maksimaalne sõidukiirus	Edasi	4,8 km/h, 8,1 km/h, 9,7 km/h, 11,3 km/h (reisimisrežiimis 12,8 km/h)
	Tagurdamine	kuni 5,6/h

Laadimine	Laadija (valikuline)	CHV1600E
	Adapter (valikuline)	ACA1000
	Laadimistemperatuuri vahemik	-5°C–40°C
Lõikekõrguse reguleerimine (10 asendit)		25–100 mm
Töötemperatuur		0°C–40°C
Hoiustamistemperatuur		-20°C–70°C
Kaal (ilma akuplokita)		196 kg
Möödetud helivõimsuse tase $L_{WA}$		96,44 dB(A) K=0,68 dB(A)
Helirõhk seadme operaatori kõrva juures $L_{PA}$		84,3 dB(A) K=3,0 dB(A)

ET

Garanteeritud helivõimsuse tase $L_{WA}$ (möödetud vastavalt direktiivile 2000/14/EÜ)		100 dB(A)
Vibratsioon $a_h$	Käsi	1,221 m/s <sup>2</sup> K=1,5 m/s <sup>2</sup>
	Keha	0,568 m/s <sup>2</sup> K=1,5 m/s <sup>2</sup>

- Esitatud vibratsioonitaseme näit on möödetud standardsete testmeetodite kohaselt ja seda võib kasutada erinevate tööriistade võrdlemiseks.
- Esitatud vibratsioonitaseme näitu võib kasutada ka algse kokkupuutehinnangu andmiseks.

**MÄRKUS:** Tegelikul kasutamisel tekkinud vibratsioonitase võib esitatust erineda; turvalisuse eesmärgil peaks seadme kasutaja tegelikes kasutustingimustes kandma kindaid ja kuulmiskaitsmeid.

## SOOVITATUD TARVIKUD

**⚠ HOIATUS:** Hooldusel ja remontimisel kasutage vaid allpool loetletutega identseid varuosi. Algsele tootespetsifikatsioonile mittevastavate varuosade kasutamine võib põhjustada häireid seadme töös ja puudujääke ohutuses.

OSA NIMI	MUDELI NUMBER
Standardtera	AB4200
Kõrge tõstega tera	AB4201
Multšimispistik	AMP4200
Murukoguri kott	ABK4200-A
Tagumine pörkeraud	AMB1000
Lasti kast	AMG1000
Päikesevari	AMS1000

ET

## KIRJELDUS

### TUNNE NIIDUKIT (joonis A1)

1. Iste
2. Laadimisport
3. Toiteplokk
4. LED-tagatuled
5. Hoiuruum
6. LED-küljetuled
7. Tagaratas (veoratas)
8. Pesuava
9. Sõidulaud
10. Niiduki aluse kaitse
11. Tugiratas
12. Esiratas
13. Seisupiduri pedaali
14. Sõidutuled
15. LED-esituled
16. Kiirendi pedaali
17. Jalatugi
18. Külgmise väljutusrenn
19. Lõikekõrguse reguleerimisnupp
20. Istme vedrustuse reguleerimishoob
21. Rooliratas
22. Parempoolne kast
23. Istekõrguse reguleerimishoob
24. Jõusiirdevõlli lüliti
25. Sisse-väljalülitusnupp
26. Turvavõti
27. Telefoni mälupeasa
28. Tassihoidjad
29. Vasakpoolne laba
30. Niiduki oleku märgutuli
31. LCD-ekraan
32. Parempoolne laba
33. Terakiiruse reguleerimisnupp
34. CCS nupp

35. Sõidurežiimi nupp
36. LED-tule lüliti
37. Sõidukiiruse reguleerimisnupp
38. Toiteploki kaane vabastusnupp
39. Toiteploki kate
40. Kuue akukambriga toiteplokk
41. Akuvabastusnupp
42. Haakesead
43. Lisaseadme paigalduskate
44. USB-port

### TUNNE LCD-EKRAANI (joonis A2)

Lisateavet LCD-ekraanil olevate ikoonide ja märgutulede kohta leiab jaotisest „NIIDUKI OLEKU VIIDE JA RIKKEKOOD“.

1. Tagurpidi ikoon
2. CCS ikoon
3. Turvavõtme ikoon
4. LED-tulete ikoon
5. Auto-Parking ikoon
6. USB ikoon
7. Terakiiruse märgutuli
8. Ohutusseadise oleku märgutuli
9. Tunniarvesti
10. Vaba akupesa kate
11. Temperatuuri ikoon
12. Hõivatud akupesa kate
13. Sõidurežiim
14. Veakoodi märgutuli
15. Ülekoormuse märgutuli
16. Madala energiataseme märgutuli
17. Kütusemõõdik
18. Koormuse märgutuli
19. Sõidukiiruse märgutuli

## LAHTIPAKKIMINE

**MÄRKUS:** Ärge visake pakkematerjali ära enne, kui olete tööriista tähelepanelikult üle kontrollinud ja seda rahuldavate tulemustega kasutanud. Kui mõni pakendiloendis olev osa on puudu, võtke kohe ühendust EGO teenindusega.

**MÄRKUS:** Välja arvatud allpool pakendiloendis olevad tööriistad, on kõik muud juhendis mainitud tööriistad lihtsalt soovitatavad, kuid neid ei tarnita koos seadmega.

**MÄRKUS:** Ärge eemaldage vahtploki rooliratta alt enne, kui rooliratas on korralikult paigaldatud. Liikumise ajal toimuv vibratsioon võib põhjustada rooliratta kahjustusi.

### PAKENDILOEND (JOONIS B)

B-1	Nullpöördradiusega sisselülitatav niiduk	B-2	Iste
B-3	Multšimispistik	B-4	Pesapeakruvid (2 tagavaraks)
B-5	Kuuskantvõti	B-6	Mutrivõti
B-7	Harkvõti	B-8	Turvavõtmed
B-9	Pesuava kiirühendus	B-10	Kasutusjuhend

## KOKKUPANEK

### ISTME PAIGALDAMINE (joonised C1 ja C4)

**⚠ HOIATUS:** Turvablokeerimissüsteemi ei tohi lahti ühendada ega sellest mööda minna. See võib niiduki ootamatult käivita, põhjustades kehavigastusi.

**MÄRKUS:** Teie ohutuse tagamiseks võib niiduk seisma jääda, kuna istme lüliti on sõidu ajal lahti tulnud. Sel juhul vaadake lisateavet jaotisest „TÕRKEOTSING“.

C1-1	Pistikupesa	C1-2	Pistik
C1-3	Kaabel	C2-1	Istme käsi
C2-2	Vedrustuse alus	C2-3	Kuuskantvõti
C2-4	Pesapeakruvid	C2-5	Istekõrguse reguleerimishoob

ET

C3-1	Terasreksid	C3-2	Kuuskantvõti
C3-3	Pesapeakruvid	C4-1	Konks

### ROOLI PAIGALDAMINE (joonised C5 ja C6)

C5-1	Lukustuspolts	C5-2	Latt
C6-1	Ploki asukoha määramine	C6-2	Pesa
C6-3	Rooliratta kaitse		

### MULTŠIMISPISTIKU PAIGALDAMINE (joonis C7)

C7-1	Kõlgtühjendusrenn	C7-2	Multšimispiistik
C7-3	Liigutatav vedru		

## REGULEERIMINE

### ENNE REGULEERIMIST (joonis D1)

### LÕIKAMISALUSE KÕRGUSE REGULEERIMINE (joonis D2)

### TUGIRATASTE REGULEERIMINE (joonised D3– D6)

D3-1	Tugiratas	D5-1	Mutter
D5-2	Kinnituspolts	D6-1	Niiduki aluse kõrguse silt

### ISTME REGULEERIMINE (joonis D7)

D7-1	Istekõrguse reguleerimishoob	D7-2	Istme vedrustuse reguleerimishoob
------	------------------------------	------	-----------------------------------

### ROOLIRATTA REGULEERIMINE (joonis D8)

D8-1	Lukustuspolts	D8-2	Latt
D8-3	Ploki asukoha määramine	D8-4	Pesa

## SEADME KASUTAMINE

### ENNE KASUTAMIST (joonis E1)

### SEISUPIDURI SEADISTAMINE (joonised E2)

E2-1	Vabastatud asend	E2-2	Pidurdusasend
------	------------------	------	---------------

**MÄRKUS:** Ärge kunagi vajutage seisupiduripedaali kiiruse vähendamiseks. Kui seisupiduri pedaal on piisavalt alla vajutatud, kuid ei ole täielikult parkimisasendis, lõpetab niiduk tasasel pinnal liikumise, kuid kui see juhtub kallakul, võib niiduk nõlvast alla libiseda.

### AKUPLOKI PAIGALDAMINE/EEMALDAMINE (joonis E3 - E6)

Selle niiduki käivitamiseks on vaja EGO akusid kogumahtuvusega vähemalt 15 Ah (2 X BA4200/BA4200T) või rohkem. Parima jõudluse tagamiseks soovime kasutada EGO akusid, mille kogumahtuvus on vähemalt 30 Ah või rohkem.

E3-1	Katte vabastamise nupp	E5-1	Akuvabastusnupp
------	------------------------	------	-----------------

### NIIDUKI LAADIMINE

Kasutage ainult soovitatud akuplokke ja laadijaid:

- Laadige akuplokk (akuplokkid) eraldi (joonis E7).

**MÄRKUS:** Üksikasjalikud juhised leiate vastavate akude ja laadijate kasutusjuhenditest.

- Laadige akuplokk (akuplokkid) laadimisportide kaudu (joonis E8-E10).

E10-1	Tolmukate	E10-2	Laadimisport
-------	-----------	-------	--------------

### KONTROLLIGE

#### TURVABLOKEERIMISSÜSTEEMI

- Tekk-klapi süsteemi katsetamine (joonised E11 - E12)
- Sõidusüsteemi katsetamine (joonised E13 - E14)

Kui aluse terade süsteem ja/või juhtimissüsteem ei peatu, kui juht istmelt lahkub ja kui pärast istme pistiku- ja pistikupesäühenduse kontrollimist ei ole põhjust võimalik kindlaks teha, võtke kohe ühendust EGO klienditeeninduskeskusega.

### KONTROLLNIMEKIRI ENNE KASUTAMIST

ET

- Tagage, et tööalas poleks lapsi, kõrvalisi isikuid ega lemmikoomi.
- Puhastage tööala esemetest, mida niiduki terad võivad üles visata.
- Puhastage niiduk prahist.
- Kontrollige lahtiseid kinnitusi.
- Kontrollige, et kõik kaitsmed oleksid paigas ja töötaksid korralikult.
- Kontrollige visuaalselt, kas rehvid on täis pumbatud.
- Kontrollige piduri tööd.
- Reguleerige löikekorpuse kõrgus kõige sobivamasse löikeasendisse ja reguleerige vastavalt sellele kalipsuvastased rattad.
- Reguleerige istme asendit ja veenduge, et mõlemad pedaalid on ligipääsetavad.
- Reguleerige vajadusel rooliratas soovitud asendisse.
- Kontrollige aku laetuse taset.
- Testi turvablokeerimissüsteemi.

### NIIDUKI KÄIVITAMINE (joonised E15 - E16)

**⚠ HOIATUS:** Vältige äkilisi käivitusi, peatusi ja pöördeid, samuti liigset kiirust, eriti kui te alles õpite niidukit kasutama. Niiduk võib kiiresti pöörlema hakata, mille tõttu võib kontroll niiduki üle kaduda ning kasutaja saada raskeid vigastusi ja/või kahju.

**⚠ HOIATUS:** Enne niiduki käivitamist kontrollige terasid ja veenduge, et need on 5s jooksul PTO-lüliti vajutamisel lahtiühendatud. Kui terad ei peatu, ärge niidukit kasutage ja võtke kohe ühendust EGO klienditeenindusega.

**MÄRKUS:** Järgige jooniseid E17 ja E18, et tagada väikseim sõidukiirus ja STANDARDNE sõidurežiim, kuni olete täielikult võimeline niidukit igas olukorras juhtima.

Niiduk salvestab ja esitab uuesti käivitamisel eelmise sõidurežiimi, sõidukiiruse ja rooli kalibreerimise.

### SÕIDUREŽIIMI REGULEERIMINE (joonis E17)

- **JUHTIMINE:** Väiksem kiirendus, vähem tundlik käsitsemine ja mõõdukas pööramiskiirus muru kaitsmiseks ja uutele kasutajate jaoks.
- **STANDARDNE:** Sobib ideaalselt igapäevaseks kasutamiseks.
- **SPORTIMINE:** Suurem kiirendus, täpne käsitsemine

ja järsk pööre, et maksimeerida niitmise tõhusust ja niitmise entusiastide jaoks.

**MÄRKUS!** Sõidurežiimi ei saa sõidu ajal reguleerida. Funktsioon aktiveerub ainult siis, kui niiduki rattad on peatunud.

### Sõidukiiruse reguleerimine (joonis E18)

**MÄRKUS!** Kui vajutate "TURBO" režiimis "-", naaseb sõidukiirus eelmisele režiimile.

### Terakiiruse reguleerimine (joonis E19)

#### LED-tuli

- Esilaternalid, külg- ja tagatulesid juhitakse LED-valguslüliti abil.
- Sõitmise ajal põlevad alati tuled.
- Tagurdamise ajal, kui tagatuled on välja lülitatud, vilguvad need kõrvaliste isikute hoiatamiseks; kui tagatuled sisse lülitada, jäävad need põlema.
- Kõik tuled kustuvad automaatselt, kui niiduk lülitub automaatselt välja pärast teatud aja mittetöötamise möödumist.

#### USB-port

**MÄRKUS:** USB-port tagab 5-voldise alalisvoolu laadimisvõimsuse kuni 1,5-amprisel kombineeritud voolutugevusel ja saab toidet ainult niiduki käivitamisel

### NIIDUKI SEISKAMINE (joonis E20)

**MÄRKUS:** Pärast enam kui 60-minutist töötamist lülitub niiduk automaatselt välja.

#### Avariirežiim

Kui aku laetuse tase muutub kriitiliselt madalaks, lülitub niiduk avariirežiimi, et säilitada piisavalt energiat ja jõuda tagasi laadimisalale.

- Terad lülituvad madalale pöörlemiskiirusele, mis võimaldab lõigata väga vähe muru. Kõrge ja tiheda rohu korral terad seiskuvad. Heli indikaator kostub (piiks) vahelduvalt.
- Niiduki oleku indikaator vilgub punaselt iga sekundi järel, vilguvad nii vähese võimsuse näidik kui ka akugraafika kütusenäidikul vilguvad.

Kasutaja peaks:

ET

- Vajutage PTO lüliti alla, et teramootorid välja lülitada. Heliindikaator lõpetab heli, kui teramootorid seiskuvad.
- Lõpetage töö ja minge võimalikult kiiresti laadimisalale. Maksimaalne vahemaa, mida niiduk suudab läbida, on 1000 m.

Kui aku on peaaegu tühi, vilgub iga hõivatud akupesa ja vähese energia märgutuli iga poole sekundi tagant. Niiduk lakkab kohe töötamast. Operaator peab niidukit laadimiseks laadimisalale transportima.

**MÄRKUS:** Kui niidukit on vaja käsitsi lükata, veenduge et akud oleksid niidukist lahti ühendatud ja seisupiduri pedaal on pidurdusasendist vabastatud.

## NIIDUKIGA SÕITMINE (joonised E21)

**⚠ OHT!** Hoidke vähemalt kahe niitmislaiuse ulatust kraavidest, langustest või veest. Esirattad võivad niiduki peatamisel pöörlema hakata ka siis, kui on pidurit vajutatud, ja põhjustada niiduki üle serva või vette kukkumise, mille tagajärg võib olla surm või tõsised kehavigastused.

**⚠ HOIATUS:** Enne tagurdamist tehke kindlaks, mis on niiduki taga. ÄRGE niitke tagurpidikäiguga, kui see pole just hädavajalik. Vaadake enne tagurdamist alati alla ja enda taha veendumaks, et niitmisalal ei oleks lapsi, kõrvalisi isikuid ega lemmikloomi. Pidage meeles, et surma ja raskeid vigastusi põhjustavaks õnnetuseks piisab ka sekundi murdosa pikkusest tähelepanematusesest.

**⚠ HOIATUS:** Ärge kasutage seadet avalikel maanteedel.

**ET**

**⚠ HOIATUS:** Kui niiduk takerdub või sõidab otsa võõrkehale, peatage mootorid ja eemaldage akud. Eemaldage niidetud muru, lehed, muld ja muu kogunenud praht; kontrollige niidukit põhjalikult kahjustuste suhtes ja parandage kahjustused enne niiduki taaskäivitamist ja kasutamist.

## PÜSIKIIRUSE HOIDJA (CCS) KASUTAMINE

### CCS-i aktiveerimine sõidu ajal (joonis E22)

**MÄRKUS!** LCD-ekraanil näidatud sõidukiiruse tase ei pruugi täpselt kajastada niiduki tegelikku sõidukiirust püsikiirushoidikus. Vajutage ühte kiiruse reguleerimise nuppu ("←" või "→"), et "värskendada" ja reguleerida sõidukiiruse taset LCD-ekraanil.

**CCS-ist väljumiseks ja niiduki peatamiseks** võite valida ühe neljast võimalusest:

- Vajutage gaasipedaali kergelt alla ja seejärel vabastage see.
- Tõmmake vasak/parem laba(d) operaatori poole ja seejärel vabastage.
- Vajutage seisupiduri pedaal.
- Vajutage CCS-nuppu.

**MÄRKUS!** Vajutage gaasipedaal lõpuni alla, et saavutada praegune CCS-sõidukiirus ja hoidke seda all. CCS-funktsioon peatub ja niiduk jätkab sõitmist praegusel kiirusel.

## HOOLDUS

**⚠ HOIATUS:** Kandke alati küljekaitsega turvaprilie. Vastasel korral võib teile midagi silma paiskuda ja võite saada raskeid vigastusi.

**⚠ HOIATUS:** Kaitske alati oma käsi, kasutades niiduki terade hooldamisel tugevaid töökindaid või kattes teravad ääred rätikute või muu kattega. Niiduki hooldamise ja transportimise ajaks eemaldage alati turvavõti ja akuplokid.

Hooldusvälp	Hooldustööd
-------------	-------------



Enne iga kasutust või iga päev	<ul style="list-style-type: none"> <li>▪ Kontrollige turvablokeerimissüsteemi.</li> <li>▪ Kontrollige visuaalselt, kas rehvid on täis pumbatud.</li> <li>▪ Kontrollige terasid.</li> <li>▪ Enne iga kasutuskorda kontrollige tervet seadet, et ei esineks kahjustunud, puuduvaid või lahtisi osi, nt külgmine väljutusrenn, kruvid, mutrid, poldid, korgid vms.</li> <li>▪ Kontrollige ja veenduge, et gaasipedaali saaks korralikult alla vajutada ja vabastada.</li> <li>▪ Kontrollige rooliklappi. Rooli tuleks pöörata teatud vastupanuga.</li> </ul>
Pärast iga kasutuskorda	<ul style="list-style-type: none"> <li>▪ Puhastage niiduki alus.</li> </ul>
Iga 25 tunni tagant	<ul style="list-style-type: none"> <li>▪ Kontrollige rehvirõhku.</li> </ul>
Iga 100 tunni tagant	<ul style="list-style-type: none"> <li>▪ Kontrollige tagarattaid ja veenduge, et kõik mutrid oleksid kinnitatud soovitatud pöördemomendiga.</li> </ul>
Iga 200 tunni tagant	<ul style="list-style-type: none"> <li>▪ Kontrollige esirattaid ja veenduge, et need vabalt pöörleksid.</li> </ul>
Enne ladustamist	<ul style="list-style-type: none"> <li>▪ Eemaldage niidukist patareid.</li> <li>▪ Eemaldage niidukilt turvavõti.</li> <li>▪ Tehke kõik eespool loetletud hooldustoimingud ja puhastage niiduk põhjalikult.</li> <li>▪ Kontrollige kogu toodet kahjustatud, puudevate või lahtiste osade suhtes, asendage või pingutage vastavad osad enne ladustamist.</li> </ul>

Igal aastal	<ul style="list-style-type: none"> <li>▪ Kontrollige seisupiduri pedaali. Eemaldage niidukilt aku ja seadke seisupiduri pedaal pidurdusasendisse. Lükake niidukit käsitsi ettepoole, et näha, kas seda saab liigutada või mitte. Kui see liigub, laske kvalifitseeritud hooldustehnikul niidukit hooldada.</li> </ul>
-------------	---

## ÜLDHOOLDUS

### Niiduki korpuse puhastamine (joonised F1–F2)

### Kasutage pesuava niiduki aluse puhastamiseks (joonised F3–F4)

F2-1	Pesuava	F2-2	Pesuava kiirühendus
F2-3	Aiavoolik		

**MÄRKUS:** Puhastamise lõpetamisel lülitage niiduk täielikult välja ja eemaldage seejärel aiavoolik ja kiirliitmik.

## NIIDUKI ALUSE JA LÕIKETERADE HOOLDUS

### ETTEVALMISTUS (joonis G1)

### Niiduki aluse eemaldamine (joonised G2–G3)

G2-1	Mootori kaabel	G2-2	Vedrustushoovastik
G2-3	Varrasnõel		

**MÄRKUS:** Niiduki aluse eemaldamisel ühendage mootori kaablid ja varrasnõelad mõlemal küljel lahti.

### Lõiketerade vahetamine (joonised G4–G6)

G4-1	Stabilisaator	G5-1	Polt
G5-2	Seib	G5-3	Tera
G5-4	Äärik	G5-5	Mootorivõll

### Niiduki aluse loodimine.

#### a. Millal tasandada (joonised G7 - G9)

#### b. Enne loodimist

- Külma rehvirõhu kontrollimine (joonis G10)
- Kontrollige lõiketerasid. Vajadusel eemaldage ja asendage kulunud, purunenud ja/või paindunud terad.

ET

## c. Ettevalmistus tasandamiseks (joonis G11)

### d. Kuidas loodida

- Küljelt küljele reguleerimine (joonis G12)
- Eest taha reguleerimine (joonis G13)

## NIIDUKI JÄLGIMISSÜSTEEMI KALIBREERIMINE (joonised H1–H2)

**MÄRKUS:** Piiksumise märgutuli piiksub üks kord nii kalibreerimise alustamisel kui ka kalibreerimise lõpetamisel.

**MÄRKUS!** Ühe sõidurežiimi ("CONTROL", "STANDARD", "SPORT") jaoks lõpetatud kalibreerimine ei pruugi kahe ülejäänud režiimi jaoks saadaval olla. Kalibreerige rooli igas sõidurežiimis vastavalt vajadusele iseseisvalt.

## NIIDUKI LÄHTESTAMINE TEHASE ALGSEADISTUSTELE (joonis I)

**MÄRKUS:** Piiksumise märgutuli piiksub üks kord nii lähtestamise alustamisel kui ka lähtestamise lõpetamisel.

**MÄRKUS!** Kui lähtestamine on edukas, naasevad järgmised seaded algsetele tehaseseadetele:

- sõidurežiim
- sõidukiirus
- rooliratta kalibreerimine

## HOIUSTAMINE JA TRANSPORT

### NIIDUKI TRANSPORTIMINE (joonised J1 – J5)

**MÄRKUS:** Kinnitage niiduk vastavalt vajadusele, kasutades rihmasid või kaableid, et vältida selle transpordi ajal liikuma hakkamist.

### LADUSTAMINE (joonis. K1 – K2)

**MÄRKUS:** Uurige akuplokkide eemaldamise ja akude hoiustamise kohta vastavatest juhenditest.

Puhastage ja kontrollige niidukit enne selle hoiustamist vastavalt jaotisele „NIIDUKI PUHASTAMINE“ ja „SOOVITATUD HOOLDUSKAVA(D)“.

### Keskkonnakaitse



Elektri- ja elektroonikaseadmetest tekkinud jäätmete direktiiv (WEEE). Ärge visake elektriseadmeid, kasutatud akut ega laadijat olmeprügi hulka! Viige toode volitatud taaskäitleja juurde ja võimaldage selle komponendid sorteerituna kõrvaldada. Elektritööriistad tuleb viia keskkonnakaitsenõudeid järgivasse jäätmekäitluskeskusesse.




## TÕRKEOTSING

PROBLEEM	PÕHJUS	LAHENDUS
Nullpöördega niiduk ei sõida, kui gaasipedaal on alla vajutatud.	<ul style="list-style-type: none"> <li>Sisestatud patareide kombineeritud Ah ei vasta nõudele.</li> </ul>	<ul style="list-style-type: none"> <li>Selle niiduki käivitamiseks kasutage piisavalt EGO akusid, järgides selle juhendi jaotises „<b>AKUPLOKI KINNITAMINE/EEMALDAMINE</b>“ toodud juhiseid.</li> </ul>
	<ul style="list-style-type: none"> <li>Seisupiduri pedaal on seatud pidurdusasendisse.</li> </ul>	<ul style="list-style-type: none"> <li>Vajutage seisupiduri pedaal täielikult alla, et see pidurdusasendist vabastada.</li> </ul>
	<ul style="list-style-type: none"> <li>Nii vasakut kui ka paremat laba ei tõmmata korraks operaatori poole, et niiduki oleku indikaator hakkaks niiduki käivitamisel roheliselt särada.</li> </ul>	<ul style="list-style-type: none"> <li>Tõmmake korruga <b>KAHTE</b> vasakut ja paremat laba operaatori suunas ja seejärel laske lahti. Niiduki olekuindikaator süttib roheliselt, mis tähendab, et niiduk on käivitamiseks valmis.</li> </ul>
	<ul style="list-style-type: none"> <li>Kasutaja ei istu istmel.</li> </ul>	<ul style="list-style-type: none"> <li>Niidukit saab juhtida ainult siis, kui kasutaja istub istmel õigesti.</li> </ul>
	<ul style="list-style-type: none"> <li>Istme lüliti pole õigesti ühendatud.</li> </ul>	<ul style="list-style-type: none"> <li>Eemaldage aku niidukilt ja monteerige iste lahti vastupidises järjekorras käesoleva kasutusjuhendi jaotises „<b>ISTME PAIGALDAMINE</b>“ toodud juhistele, et veenduda, et kaabli pistik on korralikult ühendatud istme allosas asuvasse pistikupessa. Pange iste uuesti kokku ja järgige niiduki taaskäivitamiseks juhiseid jaotises „<b>NULLPÖÖRDERAADIUSEGA ELEKTRILISE NIIDUKI KÄIVITAMINE</b>“, et näha, kas niidukit saab käivitada. Kui seda ei juhtu, võtke remondiks ühendust kvalifitseeritud hooldustehnikuga.</li> </ul>
	<ul style="list-style-type: none"> <li>Äärmiselt külma ilmaga ei tarvitse sõidufunktsioon madala temperatuuri kaitse tõttu käivituda.</li> </ul>	<ul style="list-style-type: none"> <li>Hoidke niidukit ja akut alati soojas keskkonnas. Taaskäivitage niiduk, kui see on soojenenud. Ärge tehke korduvaid käivitamiskatseid äärmiselt külma ilmaga, mis võib niidukit kahjustada.</li> </ul>
	<ul style="list-style-type: none"> <li>Gaasipedaali liikumistee on ummistunud prügiga.</li> </ul>	<ul style="list-style-type: none"> <li>Kontrollige ja eemaldage praht.</li> </ul>
	<ul style="list-style-type: none"> <li>Gaasipedaali mehaaniliste või elektrooniliste komponentide rike.</li> </ul>	<ul style="list-style-type: none"> <li>Võtke remondiks ühendust kvalifitseeritud hooldustehnikuga.</li> </ul>

ET

PROBLEEM	PÕHJUS	LAHENDUS
Nullpöördega sõidetav niiduk lõpetab sõidu.	<ul style="list-style-type: none"> <li>Vasak/parempoolne laba nõuab "resetti".</li> </ul>	<ul style="list-style-type: none"> <li>Tõmmake vasakule/paremale suunatud labad operaatori poole ja vabastage need. Kui oleku märgutuli on roheline, on niiduk sõiduks valmis.</li> </ul>
	<ul style="list-style-type: none"> <li>Gaasipedaali elektrooniliste komponentide rike.</li> </ul>	<ul style="list-style-type: none"> <li>Võtke remondiks ühendust kvalifitseeritud hooldustehnikuga.</li> </ul>
	<ul style="list-style-type: none"> <li>Istme turvalukusüsteem katkes ebatasasel maastikul sõites.</li> </ul>	<ul style="list-style-type: none"> <li>Eemaldage aku niidukilt ja monteerige iste lahti vastupidises järjekorras käesoleva kasutusjuhendi jaotises "<b>ISTME PAIGALDAMINE</b>" toodud juhiste, et veenduda, et kaabli pistik on korralikult ühendatud istme allosas asuvasse pistikupessa. Pange iste uuesti kokku ja järgige niiduki taaskäivitamiseks juhiseid jaotises „<b>NULLPÖÖRDERAADIUSEGA ELEKTRILISE NIIDUKI KÄIVITAMINE</b>“, et näha, kas niidukit saab käivitada. Kui seda ei juhtu, võtke remondiks ühendust kvalifitseeritud hooldustehnikuga.</li> </ul>
	<ul style="list-style-type: none"> <li>Operaatori kaal ei ole istmel ühtlaselt jaotunud. Istme ohutusblokeerimissüsteemi nõuetekohaseks toimimiseks peab istme kasutaja kaal olema vähemalt 20 kg.</li> </ul>	<ul style="list-style-type: none"> <li>Istuge korralikult istmele, tõmmake vasakule/paremale või mõlemat puldi operaatori poole ja laske need lahti, siis on niiduk sõiduvalmis.</li> </ul>
	<ul style="list-style-type: none"> <li>Sõidukiiruse vähendamiseks vajutatakse seisupiduripedaali. Kui seisupiduripedaal on piisavalt alla vajutatud, kuid mitte parkimisasendisse, jääb niiduk seisma.</li> </ul>	<ul style="list-style-type: none"> <li>Vajaduse korral ühendage akupakett lahti ja kinnitage see uuesti.</li> </ul>
Sõidurežiimi ei saa sõidu ajal reguleerida.	<ul style="list-style-type: none"> <li>See on nullpöörderaadiusega elektrilise niiduki ohutu sõitmise funktsioon.</li> </ul>	<ul style="list-style-type: none"> <li>Niiduki õigeks puhastamiseks järgige juhiseid jaotises „<b>NIIDUKI KÄIVITAMINE</b>“.</li> </ul>
		<ul style="list-style-type: none"> <li>Funktsioon aktiveerub ainult siis, kui niiduki rattad on peatunud.</li> </ul>

PROBLEEM	PÕHJUS	LAHENDUS
Nullpöördega sõidetav niiduk ei käivita terasid, kui PTO-lüliti on aktiveeritud.  Jõusirdevõlli lüliti ikoon vilgub	<ul style="list-style-type: none"> <li>Sisestatud patareide kombineeritud Ah ei vasta nõudele.</li> </ul>	<ul style="list-style-type: none"> <li>Selle niiduki käivitamiseks kasutage piisavalt EGO akusid, järgides selle juhendi jaotises „<b>AKUPLOKI KINNITAMINE/EEMALDAMINE</b>“ toodud juhiseid.</li> </ul>
	<ul style="list-style-type: none"> <li>PTO-lüliti ei olnud viimasel korral niiduki väljalülitamisel alla vajutatud.</li> </ul>	<ul style="list-style-type: none"> <li>Teramootorite taaskäivitamiseks vajutage PTO-lülitit alla ja seejärel üles.</li> </ul>
	<ul style="list-style-type: none"> <li>Niiduk on ülekoormatud hetkel, mil terad hakkavad pöörlema, mis käivitab mootori enesekaitse.</li> </ul>	<ul style="list-style-type: none"> <li>Alustage niidukiga muru niitmist kõigepealt madalama löikekiirusega ja kuni terade pöörlema hakkamisele lisage kiirust vastavalt vajadusele.</li> </ul>
	<ul style="list-style-type: none"> <li>Äärmiselt külma ilmaga ei tarvitse tera mootori käivitamine madala temperatuuri kaitse tõttu õnnestuda.</li> </ul>	<ul style="list-style-type: none"> <li>Hoidke niidukit ja akut alati soojas keskkonnas. Taaskäivitage niiduk, kui see on soojenenud. Ärge tehke korduvaid käivitamiskatseid äärmiselt külma ilmaga, mis võib niidukit kahjustada.</li> </ul>
	<ul style="list-style-type: none"> <li>Tera takistab deformeerunud niidukit.</li> </ul>	<ul style="list-style-type: none"> <li>Küsige abi EGO klienditeenindusest.</li> </ul>
	<ul style="list-style-type: none"> <li>Niiduk sõidab kiirusel "TRAVEL".</li> </ul>	<ul style="list-style-type: none"> <li>Kui niiduk sõidab kiirusel "TRAVEL", seiskuvad teramootorid automaatselt.</li> </ul>

PROBLEEM	PÕHJUS	LAHENDUS
Terad lakkavad muru niitmise ajal töötamast.	<ul style="list-style-type: none"> <li>Niiduk on ülekoormatud.</li> </ul>	<ul style="list-style-type: none"> <li>Niiduki koormuse vähendamiseks suurendage aluse lõikekõrgust ja vähendage terakiirust.</li> </ul>
	<ul style="list-style-type: none"> <li>Muruniiduki alla on kogunenud liiga palju muru ja prahti.</li> </ul>	<ul style="list-style-type: none"> <li>Puhastage niiduki alus ja veenduge, et terad saaksid vabalt liikuda.</li> </ul>
	<ul style="list-style-type: none"> <li>Niiduk on ülekuumenenud</li> </ul>	<ul style="list-style-type: none"> <li>Vähendage niiduki koormust, tõstes niiduki aluse lõikekõrgust või aeglustades tera- / sõidukiirust ja laske niidukil maha jahtuda.</li> </ul>
	<ul style="list-style-type: none"> <li>Niiduki akupesas olev(ad) akuplokk (-plokid) on ülekuumenenud, mille tulemusel kõigi sisestatud akude Ah ei vasta nõudele.</li> </ul>	<ol style="list-style-type: none"> <li>Niiduk võib tööd jätkata, kui kombineeritud aku, välja arvatud ülekuumenenud aku Ah mahtuvus vastab nõudele. Kui ülekuumenenud aku saavutab normaalse temperatuuri, lülitab see niiduki kohe sisse.</li> </ol>
		<ol style="list-style-type: none"> <li>Kui kombineeritud aku Ah ei vasta nõudele, ei tööta niiduk enne, kui tühjadesse akupesadesse lisatakse veel akuplokke.</li> </ol>
		<ol style="list-style-type: none"> <li>Vähendage niiduki koormust, tõstes niiduki aluse lõikekõrgust või aeglustades niitmiskiirust, kui tööd jätkate.</li> </ol>
	<ul style="list-style-type: none"> <li>Niiduk on avariirežiimis.</li> </ul>	<ul style="list-style-type: none"> <li>Kui niiduk on avariirežiimis, lülitatakse terad automaatselt madalale pöörlemiskiirusele ilma muru niitmiseta. Kasutaja peaks töö lõpetama ja suunduma aku laadimispiirkonda niipea kui võimalik.</li> </ul>
	<ul style="list-style-type: none"> <li>Niiduk sõidab otsa võõrkehale, mis põhjustab mootori enesekaitse.</li> </ul>	<ul style="list-style-type: none"> <li>Teramootorite taaskäivitamiseks vajutage PTO-lülitit alla ja seejärel üles.</li> </ul>
<ul style="list-style-type: none"> <li>Niiduki kiirus reguleeritakse režiimi „REIS“.</li> </ul>	<ul style="list-style-type: none"> <li>Kui niiduki kiirus on režiimis „REIS“, peatuvad teramootorid automaatselt.</li> </ul>	
Heli indikaator jääb kõlama.	<ul style="list-style-type: none"> <li>Niiduk on avariirežiimis ja terad pole välja lülitatud.</li> </ul>	<ul style="list-style-type: none"> <li>Teramootorite väljalülitamiseks vajutage PTO-lülitit alla. Heliindikaator lakkab helisema, kui labamootorid on välja lülitatud.</li> </ul>
	<ul style="list-style-type: none"> <li>Niiduk lõpetab kallakul töötamise, kui juht on istmelt lahkunud, seisupiduripedaali pidurdusasendisse seadmata.</li> </ul>	<ul style="list-style-type: none"> <li>Enne niiduki kallakule jätmist seadke seisupiduri pedaal pidurdusasendisse.</li> </ul>

ET

PROBLEEM	PÕHJUS	LAHENDUS
Aku märgutuled põlevad ka niiduki väljalülitamisel.	<ul style="list-style-type: none"> <li>Kui niiduk lülitatakse välja ilma akuplokki (-plokke) niiduki küljest eemaldamata, jäävad aku indikaatorid, start/stopp-nupp ja seadistusnupp teatud perioodiks valgustatuks.</li> </ul>	<ul style="list-style-type: none"> <li>Midagi pole vaja ette võtta. Aku indikaatorid kustuvad, kui niiduk mõne aja pärast välja lülitub. Vaadake kindlat aega jaotisest „<b>NIIDUKI PEATAMINE</b>“.</li> </ul>
	<ul style="list-style-type: none"> <li>Kui niiduk lülitatakse kallakul välja ilma seisupiduri pedaali pidurdusasendisse seadmata, jäävad aku märgutuled põlema seni, kuni aku on tühjenenud. Heli indikaator jääb samal ajal kõlama.</li> </ul>	<ul style="list-style-type: none"> <li>Enne niiduki kallakule jätmist seadke seisupiduri pedaal pidurdusasendisse.</li> </ul>
LCD-ekraan ei valgustu, kui kõik ikoonid sees on.	<ul style="list-style-type: none"> <li>Start/stopp-nuppu on vajutatud piisavalt kaua.</li> </ul>	<ul style="list-style-type: none"> <li>LCD-ekraanil kuvatakse „Kütusenäidik“ ainult siis, kui sisse-väljalülitusnuppu korraks vajutada.</li> </ul>
		<ul style="list-style-type: none"> <li>LCD-ekraan lülitub sisse pärast seda, kui start/stopp-nuppu on piisava aja jooksul vajutatud.</li> </ul>
Niiduk löikab ebaühtlaselt, ees ja taga on märkimisväärne kõrguste erinevus.	<ul style="list-style-type: none"> <li>Terad on nürid</li> </ul>	<ul style="list-style-type: none"> <li>Teritage või vahetage lõiketera vastavalt selle kasutusjuhendi juhistele.</li> </ul>
	<ul style="list-style-type: none"> <li>Terad on paindunud.</li> </ul>	<ul style="list-style-type: none"> <li>Vahetage paindunud lõiketera välja, järgides juhiseid jaotises „<b>LÕIKETERADE VAHETAMINE</b>“.</li> </ul>
	<ul style="list-style-type: none"> <li>Niiduki alus ei ole looditud, mille tagajärjel lõiketera kõrgus erineb.</li> </ul>	<ul style="list-style-type: none"> <li>Loodige niiduki alus, järgides juhiseid peatükis „<b>NIIDUKI ALUSE LOODIMINE</b>“.</li> </ul>
Muru tegelik niitmiskõrgus ei vasta väidetavale kõrgusele.	<ul style="list-style-type: none"> <li>Niiduki aluse mutrid on vedrustushoovastikul lahti tulnud</li> </ul>	<ul style="list-style-type: none"> <li>Järgige juhiseid jaotises „<b>NIIDUKI ALUSE LOODIMINE</b>“, et niidukit õigesti eest-taha reguleerida ja pingutage kindlalt kinni vedrustushoovastiku mutrid.</li> </ul>
	<ul style="list-style-type: none"> <li>Niiduki korpus on kahjustatud või väga kulunud.</li> </ul>	<ul style="list-style-type: none"> <li>Järgige juhiseid jaotises „<b>NIIDUKI ALUSE EEMALDAMINE</b>“.</li> </ul>
Niiduk ei multši korralikult.	<ul style="list-style-type: none"> <li>Märja muru tükid jäävad muruniiduki aluse külge kinni.</li> </ul>	<ul style="list-style-type: none"> <li>Enne niitmist oodake, et muru kuivaks.</li> </ul>
	<ul style="list-style-type: none"> <li>Niiduk on seadistatud nii, et korraga lõigatakse liiga palju muru.</li> </ul>	<ul style="list-style-type: none"> <li>Suurendage aluse lõikekõrgust.</li> </ul>

PROBLEEM	PÕHJUS	LAHENDUS
Liigne vibratsioon.	<ul style="list-style-type: none"> <li>▪ Lõiketerad on lahti tulnud.</li> </ul>	<ul style="list-style-type: none"> <li>▪ Pingutage terapolti soovitusliku pöördemomendini.</li> </ul>
	<ul style="list-style-type: none"> <li>▪ Terad on paindunud.</li> </ul>	<ul style="list-style-type: none"> <li>▪ Vahetage paindunud lõiketera välja, järgides juhiseid jaotises „<b>LÕIKETERADE VAHETAMINE</b>“.</li> </ul>
	<ul style="list-style-type: none"> <li>▪ Niiduki alus ei ole looditud.</li> </ul>	<ul style="list-style-type: none"> <li>▪ Loodige niiduki alus, järgides juhiseid peatükis „<b>NIIDUKI ALUSE LOODIMINE</b>“.</li> </ul>
	<ul style="list-style-type: none"> <li>▪ Niiduki aluse mutrid on vedrustushoovastikul lahti tulnud.</li> </ul>	<ul style="list-style-type: none"> <li>▪ Pingutage vedrustuse ühenduskoha mutreid.</li> </ul>
	<ul style="list-style-type: none"> <li>▪ Niiduk on seadistatud selliselt, et korraga lõigatakse liiga palju muru.</li> </ul>	<ul style="list-style-type: none"> <li>▪ Suurendage aluse lõikekõrgust.</li> </ul>
Pärast niitmist on maapinnale jäänud niidetud muru või prahti.	<ul style="list-style-type: none"> <li>▪ Niiduk on seadistatud selliselt, et pika muru puhul lõigatakse korraga liiga palju muru.</li> </ul>	<ul style="list-style-type: none"> <li>▪ Alustage suure lõikekõrgusega ja vähendage seda, kuni saavutate soovitud niitmistulemuse. Üle 152 mm kõrgust muru tuleks niita kaks korda, järjest madalamatel lõikekõrgustel.</li> </ul>
	<ul style="list-style-type: none"> <li>▪ Muru on märg.</li> </ul>	<ul style="list-style-type: none"> <li>▪ Ärge niitke, kui muru on märg; laske rohul kuivada.</li> </ul>
	<ul style="list-style-type: none"> <li>▪ Sõidukiirus on suur.</li> </ul>	<ul style="list-style-type: none"> <li>▪ Vähendage sõidukiirust.</li> </ul>
	<ul style="list-style-type: none"> <li>▪ Terakiirus</li> </ul>	<ul style="list-style-type: none"> <li>▪ Suurendage tera kiirust järk-järgult.</li> </ul>
Niiduk töötab kompleksis oleva akuga lühikest aega.	<ul style="list-style-type: none"> <li>▪ Muruga kaetud maastik, muru olek, lõikekõrguse seadistus, sõidukiirus, tera kiirus jne mõjutavad oluliselt tööaega.</li> </ul>	<ul style="list-style-type: none"> <li>▪ Lõikekoormuse vähendamiseks suurendage aluse lõikekõrgust ja vähendage terakiirust.</li> </ul>
Niiduk ei sõida otse.	<ul style="list-style-type: none"> <li>▪ Vasaku ja parema tagaratta rehvirõhk erinevad.</li> </ul>	<ul style="list-style-type: none"> <li>▪ Kontrollige ja reguleerige mõlema tagaratta rehvide õhurõhku vastavalt jaotisele „<b>SPETSIFIKATSIOONID</b>“.</li> </ul>
	<ul style="list-style-type: none"> <li>▪ Vasaku ja parema tagaratta sõidukiirus on erinev.</li> </ul>	<ul style="list-style-type: none"> <li>▪ Kalibreerige niiduki rooliratas, järgides juhiseid jaotises „<b>NIIDUKI JÄLGIMISSÜSTEEMI KALIBREERIMINE</b>“.</li> </ul>
Seisupiduri pedaali ei saa pidurdusasendist vabastada või see vabaneb aeglaselt.	<ul style="list-style-type: none"> <li>▪ Seisupiduri pedaali sisse võib sattuda prahti või mulda.</li> </ul>	<ul style="list-style-type: none"> <li>▪ Avage seisupiduri pedaalikast, et see põhjalikult seest puhastada ja seejärel sulgege see. Lähtestage seisupiduri pedaal, et näha, kas probleem on lahendatud. Kui seda ei juhtu, võtke remondiks ühendust kvalifitseeritud hooldustehnikuga.</li> </ul>

PROBLEEM	PÕHJUS	LAHENDUS
Niidukit ei saa laadida laadimisporti kaudu, kui niiduki oleku märgutuli põleb pidevalt punaselt.	<ul style="list-style-type: none"> <li>Laadija pistik pole niiduki laadimisporti õigesti sisestatud.</li> </ul>	<ul style="list-style-type: none"> <li>Ühendage laadija pistik uuesti, et näha, kas niidukit saab normaalselt laadida.</li> </ul>
	<ul style="list-style-type: none"> <li>Seinakontaktides pole voolu.</li> </ul>	<ul style="list-style-type: none"> <li>Midagi pole vaja ette võtta. Oodake, kuni toide taastub.</li> </ul>
	<ul style="list-style-type: none"> <li>Laadija talitlushäire.</li> </ul>	<ul style="list-style-type: none"> <li>Helistage EGO klienditeeninduskeskusesse kontrollimiseks ja vajadusel laske laadija remontida.</li> </ul>
	<ul style="list-style-type: none"> <li>Niiduki laadimisport on defektne.</li> </ul>	<ul style="list-style-type: none"> <li>Küsige abi EGO klienditeenindusest.</li> </ul>
Laadimisaeg niiduki laadimisporti kaudu on liiga pikk.	<ul style="list-style-type: none"> <li>EGO adapteriga ACA1000 laadimine kestab pikka aega.</li> </ul>	<ul style="list-style-type: none"> <li>Kasutage EGO laadijat CHV1600E nullpööreraadiusega elektrilise niiduki otse laadimiseks.</li> </ul>
Akut ei saa niiduki laadimisporti kaudu täielikult laadida.	<ul style="list-style-type: none"> <li>Niiduki püsivara viga, aku või laadija rike.</li> </ul>	<ul style="list-style-type: none"> <li>Lähtestage laadija, ühendades laadija vooluvõrgust lahti ja oodates mitu minutit. Seejärel ühendage pistik uuesti vooluvõrku. Kui see ei lahenda probleemi, helistage EGO klienditeeninduskeskusesse.</li> </ul>
Niidukit ei saa pärast puhastamist käivitada.	<ul style="list-style-type: none"> <li>Vale puhastamine, näiteks vesi elektrikomponentidel, LCD-ekraanil jms.</li> </ul>	<ul style="list-style-type: none"> <li>Niiduki õigeks puhastamiseks järgige juhiseid jaotises „ÜLDHOOLDUS“.</li> </ul>
		<ul style="list-style-type: none"> <li>Kui niiduk jääb kogemata vihma kätte, jätke see õhu kätte kuivama või kasutage selle kuivatamiseks suruõhku.</li> </ul>
Niidukitekk ummistub kiiresti.	<ul style="list-style-type: none"> <li>Niidukitekk ei olnud pärast eelmist kasutamist korralikult puhastatud.</li> </ul>	<ul style="list-style-type: none"> <li>Puhastage niidukit pärast iga kasutuskorda, järgides jaotist „PESUAVA KASUTAMINE NIIDUKI ALUSE PUHASTAMISEKS“.</li> </ul>
Kallakul ülespoole liikudes kaotab niiduk kergesti veojõudu.	<ul style="list-style-type: none"> <li>Tagarataste rehvid on kulunud.</li> </ul>	<ul style="list-style-type: none"> <li>Rattarehvide vahetamiseks minge kohalikku teenindusse.</li> </ul>
	<ul style="list-style-type: none"> <li>Niitmise järsul nõlval.</li> </ul>	<ul style="list-style-type: none"> <li>Niidukiga ei tohiks niita järsemaid kui määratud kraadiseid nõlvu.</li> </ul>
Kui niiduk peatatakse kallakul seisupiduri pedaalile vajutamise, võib niiduk kallakust alla veereda.	<ul style="list-style-type: none"> <li>Piduri osad on niiduki vale kasutamise tõttu väga kulunud.</li> </ul>	<ul style="list-style-type: none"> <li>Helistage EGO klienditeeninduskeskusesse remondi jaoks.</li> </ul>
Teki pesemisel ei tule pesupesast vett.	<ul style="list-style-type: none"> <li>Pesupordi kiirliitmik ei ole pesupordi külge korralikult paigaldatud.</li> </ul>	<ul style="list-style-type: none"> <li>Paigaldage pesuava kiirühendus tagasi, kuni tugeval surumisel kuulete selget klõpsatust. Kui see ei tööta, võtke ühendust EGO klienditeenindusega.</li> </ul>

PROBLEEM	PÕHJUS	LAHENDUS
Niidukit käsitsi lükates, ilma seda käivitamata, on kuulda ebanormaalset heli.	<ul style="list-style-type: none"> <li>Ajamimootori sees olevatest magnetitest tuleb heli.</li> </ul>	<ul style="list-style-type: none"> <li>See on normaalne ja midagi pole vaja ette võtta.</li> </ul>
Rooli ei saa pöörata.	<ul style="list-style-type: none"> <li>Roolirattakomplekt on ummistunud prahiga.</li> </ul>	<ul style="list-style-type: none"> <li>Kontrollige ja eemaldage prahit.</li> </ul>
Niiduk ei pöördu vasakule/paremale, kui rooliratast keerata.	<ul style="list-style-type: none"> <li>Elektrooniliste või mehaaniliste komponentide rike.</li> </ul>	<ul style="list-style-type: none"> <li>Helistage EGO klienditeeninduskeskusesse remondi jaoks.</li> </ul>
Niiduk ei peatu gaasipedaali vabastamisel.	<ul style="list-style-type: none"> <li>Gaasipedaali tagasitee on ummistunud prahiga.</li> </ul>	<ul style="list-style-type: none"> <li>Kontrollige ja eemaldage prahit.</li> </ul>
	<ul style="list-style-type: none"> <li>CCS-nuppu vajutatakse sõidu ajal tahtmatult. Niiduk on püsikiiruse juhtimise režiimil.</li> </ul>	<ul style="list-style-type: none"> <li>Kontrollige, kas CCS-i ikoon on LCD-ekraanil valgustatud, ja vajadusel väljutage CCS-i. Vt peatükki <b>"PÜSIKIIDUSE HOIDJA (CCS) KASUTAMINE"</b>.</li> </ul>
CCS-funktsiooni ei saa aktiveerida ega välja lülitada.	<ul style="list-style-type: none"> <li>CCS-nupp pole nõuetekohaselt vajutatud.</li> </ul>	<ul style="list-style-type: none"> <li>Vajutage nuppu CCS, kuni CCS ikoon süttib LCD-ekraanil või kaob LCD-ekraanilt.</li> </ul>
Niiduk ei sõida tagurpidi, kui vasakule/paremale suunatud laba(d) tõmmatakse operaatori suunas.	<ul style="list-style-type: none"> <li>Niiduki oleku indikaator ei näita rohelist ja niiduk ei ole sõiduvalmis.</li> </ul>	<ul style="list-style-type: none"> <li>Järgige jaotist "Niiduki NIIDUKI KÄIVITAMINE", et niiduki olekuindikaator näitaks rohelist ja niiduk oleks sõiduvalmis.</li> </ul>
	<ul style="list-style-type: none"> <li>Vasak/parem pööre(d) ei tõmbu korralikult operaatori poole.</li> </ul>	<ul style="list-style-type: none"> <li>Tõmmake vasakpoolset või parempoolset labidat või mõlemat labidat samaaegselt operaatori suunas, kuni on kuulda "klõpsu" heli.</li> </ul>
	<ul style="list-style-type: none"> <li>Vasak/parempoolset/paremal asetsevat laba ei ole tõmmatud operaatori suunas.</li> </ul>	<ul style="list-style-type: none"> <li>Tagurpidi sõitmiseks tuleb vähemalt ühte labidat hoida operaatori suunas tõmmatud.</li> </ul>
	<ul style="list-style-type: none"> <li>Vasak/parem laba(d) on katki.</li> </ul>	<ul style="list-style-type: none"> <li>Võtke remondiks ühendust kvalifitseeritud hooldustehnikuga.</li> </ul>



## NIIDUKI OLEKU VIIDE JA VEAKOOD

LCD-ekraan	Kirjeldus	Veakood LCD-ekraanil	Niiduki oleku märgutuli	Piipar	Põhjus	Lahendus
	LED-tuled LCD-ekraanil kuvatakse ikooni.	Ei kehti	VÄLJAS	Ei	Esilaternad, külg- ja tagatuled lülitatakse sisse LED-valguslüli abil.	See on normaalne töötamine. Midagi pole vaja ette võtta.
	LCD-ekraanil kuvatakse USB ikoon.	Ei kehti	VÄLJAS	Ei	USB-ikoon süttib, et USB-seade saaks pärast niiduki õiget käivitamist töötada.	See on normaalne töötamine. Midagi pole vaja ette võtta.
	LCD-ekraanil kuvatakse kütusenäidiku ikoon.	Ei kehti	VÄLJAS	Ei	See näitab sisestatud akude keskmist laadimismahtuvust	See on normaalne töötamine. Midagi pole vaja ette võtta.
	LCD-ekraanil kuvatakse tunnimõõtja ikoon.	Ei kehti	VÄLJAS	Ei	See näitab niiduki kogu sõiduaega tundides ja seda ei saa lähtestada.	See on normaalne töötamine. Midagi pole vaja ette võtta.
	Koormuse märgutule ikoon kuvatakse ökovahemikus (ECO).	Ei kehti	VÄLJAS	Ei	See näitab niiduki jooksvat koormust.	See on normaalne töötamine. Midagi pole vaja ette võtta.
	LCD-ekraanil kuvatakse tagasipööratud ikoon.	Ei kehti	VÄLJAS	Ei	See näitab, et niiduk sõidab tagurpidi.	See on normaalne töötamine. Midagi pole vaja ette võtta.
	Turvavõtme ikoon vilgub.	Ei kehti	VÄLJAS	Ei	Turvavõtit pole sisestatud.	Sisestage turvaklahv, seejärel vajutage ja hoidke all START/STOPP-nuppu, et niiduk sisse lülitada.
					Võtme juhtpaneeli karbi koost on katki.	Laske remont teostada kvalifitseeritud hooldustehnikul.
	Teatud akukarbi ikoon vilgub.	Ei kehti	VÄLJAS	Ei	Teatud aku tühjenemise ajal on ülevool.	Midagi pole vaja ette võtta. Niiduk võib tööd jätkata, kui kombineeritud aku, välja arvatud ülevooluaku Ah mahtuvus vastab nõudele. Kui liigvooluaku aku saavutab normaalse temperatuuri, lülitab see niiduki kohe sisse.

**ET**

LCD-ekraan	Kirjeldus	Veakood LCD-ekraanil	Niiduki oleku märgutuli	Piipar	Põhjus	Lahendus
	Tühja akupesa ikoon vilgub.	Ei kehti	VÄLJAS	Ei	Aku maht ei ole piisav, et niidukil saaks sõita.	Selle niiduki käivitamiseks kasutage piisavalt EGO akusid, järgides selle juhendi jaotises „AKUPLOKI KINNITAMINE/ EEMALDAMINE“ toodud juhiseid.
	Ülekoormuse märgutuli vilgub.	Ei kehti	Vilgub punaselt	Üks piiks	Teramootor on ülekoormatud.	Niiduki koormuse vähendamiseks suurendage aluse löikekõrgust ja vähendage terade kiirust.
					Külgmine väljalasketoru on ummistunud rohu ja prüügiga.	Puhastage külgmist väljalasketoru pärast iga kasutamist.
					Tera ja niidukorpuse vahel on häireid.	Küsige abi EGO klienditeenindusest.
	Temperatuuri ikoon vilgub.	Ei kehti	VÄLJAS	Üks piiks	Niiduk on ülekuumenenud	Vähendage niiduki koormust, tõstes niiduki aluse löikekõrgust või vähendades tera- / sõidukiirust. Tehke paus ja laske niidukil maha jahtuda.
					Niiduk on liiga külm.	Ärge tehke korduvaid katseid, mis võivad masinat kahjustada. Hoidke niidukit ja akusid alati soojas keskkonnas. Taaskäivitage niiduk, kui see on soojenenud.

LCD-ekraan	Kirjeldus	Veakood LCD-ekraanil	Niiduki oleku märgutuli	Piipar	Põhjus	Lahendus
	Ülekuumenemise ikoon ja hõivatud akupesa vilguvad korraga.	Ei kehti	VÄLJAS	Ei	Akupakett vastavas. Nummerdatud patareipesa on ülekuumenenud.	<p>1. Niiduk võib tööd jätkata, kui kombineeritud aku, välja arvatud ülekuumenenud aku Ah mahtuvus vastab nõudele. Kui ülekuumenenud aku saavutab normaalse temperatuuri, lülitab see niiduki kohe sisse.</p> <p>2. Kui kombineeritud aku mahtuvus ei ole piisav, ei tööta niiduk enne, kui tühjadesse akupesadesse lisatakse täiendavaid akuplokke.</p> <p>3. Vähendage niiduki koormust, tõstes niiduki aluse löikekõrgust või aeglustades niitmiskiirust, kui tööd jätkate.</p>
	Iga hõivatud akupesa ikoonid, vähese energia märgutuli, kütusenäidiku akugraafika vilguvad LCD-ekraanil iga 1 sekundi tagant. Esimene LED-kütusemõõtja ja niiduki oleku indikaator vilgub samuti.	Ei kehti	Vilgub punaselt	Piiksub edasi, kuni jõusirdevõlli lüliti alla lükatakse.	Aku on tühjenemas ja niiduk on avariirežiimis.	Lõpetage töö ja pöörduge tagasi aku laadimispiirkonda. <b>MÄRKUS!</b> Kui niiduk on avariirežiimis, lülituvad terad automaatselt madalale pöörlemiskiirusele 8 ja samal ajal kostub helisignaali. Tera mootorite väljalülitamiseks peaks operaator vajutama jõuvõtuvõlli lüliti allapoole. Helinäidik lõpetab piiksumise pärast terade peatumist.
	Iga hõivatud patareipesa ikoon ja madala energiatarbe indikaator vilgub iga poole sekundi järel, esimene LED-kütusemõõtja vilgub samuti iga poole sekundi järel punaselt.	Ei kehti	Vilgub punaselt	Piiksub edasi	Akuplokid on peaaegu tühjad.	Niiduk lakkab kohe töötamast. Kasutaja peaks niiduki laadimiseks aku laadimispiirkonda transportima.

**ET**

LCD-ekraan	Kirjeldus	Veakood LCD-ekraanil	Niiduki oleku märgutuli	Piipar	Põhjus	Lahendus
(A)	LCD-ekraanil vilgub automaatse parkimise ikoon.	Ei kehti	VÄLJAS	Piiksub edasi	Niiduk on pargitud nõlvale ja operaator lahkub niidukist, ilma et ta seiskamispiduripedaali pidurdusasendisse asetaks.	Seadke piduri pedaal pidurdusasendisse. Automaatse parkimise ikoon kustub ja heliindikaator lakkab piiksumast.
(P)	LCD ekraanil kuvatakse piduripedaali ikoon	Ei kehti	VÄLJAS	Ei	Seisupiduri pedaal on seatud pidurdusasendisse.	Vabastage see enne niiduki käivitamist

**MÄRKUS!** Kui LCD-ekraanile ilmub veakood, eemaldage kõik akud ja sisestage need mõne minuti pärast uuesti. Kui see probleemi ei lahenda, järgige allolevat veakoodi tõrkeotsingut.

LCD-ekraan	Kirjeldus	Veakood LCD-ekraanil	Niiduki oleku märgutuli	Piipar	Põhjus	Lahendus
	LCD ekraanil kuvatakse istmeanduri ikoon	Ei kehti	VÄLJAS	Ei	Operaator lahkeb istmelt või istme turvalukustussüsteem on välja lülitatud.	Kui juht istub istmel ja ikoon põleb, lõpetage niiduki kasutamine kohe ja kontrollige istme ühendust. Kui kontrollimisel selgub, et istme ühendus niidukiga on õige, võtke remondiks ühendust kvalifitseeritud hooldustehnikuga.
	Jõusiirdevõlli lüliti ikoon vilgub	Ei kehti	VÄLJAS	Ei	Tera mootori töö katkes kasutamise ajal ja jõusiirdevõlli lüliti ei ole väljalülitatud asendis.	Enne niiduki taaskäivitamist suruge jõuvõtuvõlli lüliti alla, et tera mootorid välja lülitada. Uurige selle kasutusjuhendi jaotist „TÕRKEOTSING“.
	Energia taastamise ikoon vilgub aeg-ajalt.	Ei kehti	VÄLJAS	Ei	Pidurdamisel või allamäge sõites tekkiv kineetiline energia muundatakse akude laadimiseks elektrienergiaks.	See on normaalne töötamine. Midagi pole vaja ette võtta.
	CCS ikoon vilgub	Ei kehti	VÄLJAS	Ei	CCS (püsikiirushoidja) funktsioon on ebaõnnestunud.	CCS-funktsiooni ei saanud seadistada, kui niiduk sõidab väga madalal kiirusel või tagurdab.

LCD-ekraan	Kirjeldus	Veakood LCD-ekraanil	Niiduki oleku märgutuli	Piipar	Põhjus	Lahendus	
Vaadake jaotist „Veakood“	Vasak ajamimootor ei pöörle.	Trükkplaatkoostu juhitud vasak ajamimootor ei tööta.	413	VÄLJAS	Üks piiks	PCBA rike	Laske remont teostada kvalifitseeritud hooldustehnikul.
		Pistik (kolmefaasiline, toitejuhe), mis ühendab vasaku ajamimootori vastava PCBA-ga, on lahti.	317	VÄLJAS	Üks piiks	Lahtine ühendus	
		Vasakut ajamimootorit vastava trükkplaatkoostuga ühendav pistik (kuus tihvti, signaaljuhe) on lahti.	301	VÄLJAS	Üks piiks	Lahtine ühendus	
		Vasak sõidumootor ei tööta.	317	VÄLJAS	Üks piiks	Mootori rike	
Vaadake jaotist „Veakood“	Parem ajamimootor ei pöörle.	Trükkplaatkoost juhitud parem ajamimootor ei tööta.	313	VÄLJAS	Üks piiks	PCBA rike	Laske remont teostada kvalifitseeritud hooldustehnikul.
		Paremat ajamimootorit vastava trükkplaatkoostuga ühendav pistik (kolmefaasiline, toitejuhe) on lahti.	417	VÄLJAS	Üks piiks	Lahtine ühendus	
		Paremat ajamimootorit vastava trükkplaatkoostuga ühendav pistik (kuus tihvti, signaaljuhe) on lahti.	401	VÄLJAS	Üks piiks	Lahtine ühendus	
		Parem ajamimootor ei tööta.	417	VÄLJAS	Üks piiks	Mootori rike	

**ET**

LCD-ekraan	Kirjeldus	Veakood LCD-ekraanil	Niiduki oleku märgutuli	Piipar	Põhjus	Lahendus	
Vaadake jaotist „Veakood“	Vasaku tera mootori ei pöörle.	Trükkplaatkoostu juhitud vasaku tera mootor ei tööta.	607	Ei kehti	Üks piiks	PCBA rike	Laske remont teostada kvalifitseeritud hooldustehnikul.
		Vasakut ajamimootorit vastava trükkplaatkoostuga ühendav pistik (kolmefaasiline, toitejuhe) on lahti.	509	Ei kehti	Üks piiks	Lahtine ühendus	Kontrollige kõigepealt tera. Kui see on lahti, pingutage polt soovitatava pöördemomendiga. Muul juhul laske remont teostada kvalifitseeritud hooldustehnikul.
		Vasaku tera mootori rike	509	Ei kehti	Üks piiks	Mootori rike	
Vaadake jaotist „Veakood“	Parema tera mootor ei pöörle.	Trükkplaatkoostu juhitud parema tera mootor ei tööta.	507	Ei kehti	Üks piiks	PCBA rike	Laske remont teostada kvalifitseeritud hooldustehnikul.
		Paremat ajamimootorit vastava PCBA ühendav pistik (kolmefaasiline, toitejuhe) on lahti.	609	Ei kehti	Üks piiks	Lahtine ühendus	Kontrollige kõigepealt tera. Kui see on lahti, pingutage polt soovitatava pöördemomendiga. Muul juhul laske remont teostada kvalifitseeritud hooldustehnikul.
		Parema tera mootor ei tööta	609	Ei kehti	Üks piiks	Mootori rike	
Vaadake jaotist „Veakood“	Kiirenduspedaal ei tööta		311/ 411	VÄLJAS	Üks piiks	PCBA rike	Laske remont teostada kvalifitseeritud hooldustehnikul.
			307/ 407			Lahtine ühendus	
Vaadake jaotist „Veakood“	Rool läheb rikki		312/ 412	VÄLJAS	Üks piiks	PCBA rike	Laske remont teostada kvalifitseeritud hooldustehnikul.
						Lahtine ühendus	
Vaadake jaotist „Veakood“	Seisupidur ei tööta, niidukit ei saa kasutada.	Seisupiduri trükkplaatkoost, mis asub esiraami koostus, on katki.	309/ 409	VÄLJAS	Üks piiks	PCBA rike	Laske remont teostada kvalifitseeritud hooldustehnikul.
		Seisupiduri lüliti ja/ või juhe on katki.	801	VÄLJAS	Üks piiks	Juhtme / lüliti rike	

**ET**

LCD-ekraan	Kirjeldus	Veakood LCD-ekraanil	Niiduki oleku märgutuli	Piipar	Põhjus	Lahendus
VÄLJAS	Laadimispori viga	Ei kehti	Pidev PUNANE	Ei kehti	Laadimisport on avatud vooluringis.	Laske remont teostada kvalifitseeritud hooldustehnikul.
		Ei kehti	Pidev PUNANE	Ei kehti	Elektritoide puudub.	Kontrollige seinakontakti, et toitepinge on 220–240 V ja et pistikupesa oleks korras.
		Ei kehti	Pidev PUNANE	Ei kehti	Kaitse on läbi põlenud.	Laske remont teostada kvalifitseeritud hooldustehnikul.
Vaadake jaotist „Veakood“	Laadimispori rike	204	Ei kehti	Üks piiks	Laadimisport on avatud vooluringis.	Laske remont teostada kvalifitseeritud hooldustehnikul.
Vaadake jaotist „Veakood“	Akuanuma koost ei tööta.	217	Ei kehti	Üks piiks	Akukasti toiteallikas on rikkis. LED-esilatarnad ja USB ei tööta.	Laske remont teostada kvalifitseeritud hooldustehnikul.
		310/410	VÄLJAS	Üks piiks	Ühendus akukasti C-tüüpi juhtmete ja niiduki muude C-tüüpi juhtmete vahel ei toimi.	
		201/202/203	VÄLJAS	Üks piiks	Akukasti koostu akuhaldussüsteem on riski.	
Vaadake jaotist „Veakood“	Sisse-väljalülituslüliti viga	314/414	VÄLJAS	Üks piiks	Lülitage trükkplaatkoostu tõrke või halva PCBA korral sisse-väljalülituslüliti.	Laske remont teostada kvalifitseeritud hooldustehnikul.
Vaadake jaotist „Veakood“	LCD-ekraani viga	315/415	VÄLJAS	Üks piiks	LCD koost on katki või LCD koostu juhtmeühendus on halb.	Laske remont teostada kvalifitseeritud hooldustehnikul.

**ET**

## GARANTII

### EGO GARANTIIPÕHIMÕTTED

Täielikud EGO garantiitingimused leiate veebilehelt [egopowerplus.com](http://egopowerplus.com).

# 672

NULLPÖÖRDRAADIUSEGA PEALISTUTAV MURUNIIDUK — ZT4200E-S



## ПРОЧИТАЙТЕ ВСІ ІНСТРУКЦІЇ!



ПРОЧИТАЙТЕ ПОСІБНИК З ЕКСПЛУАТАЦІЇ

## СИМВОЛ БЕЗПЕКИ

Мета символів, пов'язаних із безпекою, – привернути вашу увагу до можливих небезпек. Символи безпеки та їхнє пояснення заслуговують на вашу пильну увагу та розуміння. Символи попереджень самі по собі не усувають будь-якої небезпеки. Інструкції та попередження, які вони надають, не замінюють належних заходів щодо запобігання аваріям.

**⚠ ПОПЕРЕДЖЕННЯ.** Перш ніж користуватися цим інструментом, обов'язково ознайомтеся з усіма інструкціями з безпеки, наведеними в цьому посібнику користувача, зокрема з усіма символами попереджень, такими як «**НЕБЕЗПЕКА**», «**ПОПЕРЕДЖЕННЯ**» та «**ЗАСТЕРЕЖЕННЯ**». Недотримання наведених нижче вказівок може спричинити ураження електричним струмом, пожежу та/або серйозні травми.

## ЗНАЧЕННЯ СИМВОЛУ

На цій сторінці зображено та описано символи, пов'язані з безпекою, які можуть відображатись на цьому виробі. Перш ніж намагатися зібрати та експлуатувати його, ознайомтеся з усіма інструкціями на інструменті та дотримуйтесь їх.

## СИМВОЛИ, ЩО СТОСУЮТЬСЯ БЕЗПЕКИ



Попередження щодо безпеки



Ознайомтеся з посібником користувача



Засоби захисту очей



Догляд за пристроями безпеки



НЕБЕЗПЕКА – небезпека крутого схилу



НЕБЕЗПЕКА – не підпускайте сторонніх до лез



Ніколи не перевозьте дітей



Озирайтесь, рухаючись назад



ПОПЕРЕДЖЕННЯ. Не використовуйте цю машину на схилах більше 12°



НЕБЕЗПЕКА – відкидання предметів



ПОПЕРЕДЖЕННЯ – ТРИМАЙТЕ РУКИ ТА НОГИ ПОДАЛІ



Гарантований рівень звукової потужності. Згідно з директивою Європейського співтовариства.

UK



Не ставайте



Відходи електричних виробів не слід викидати разом із побутовим сміттям. Зверніться до авторизованого пункту переробки.



Цей виріб відповідає чинним директивам ЄС.



**ЗАСТЕРЕЖЕННЯ.** Не дивіться на лампу, що працює.



Постійний струм



Цей виріб відповідає чинному законодавству Великобританії.

кПа	Кілопаскаль
V	Вольти
"	Дюйм
Н·м	Ньютон-метр
°C	Градус Цельсія
км/год	Кілометри на годину

Об./хв	Обертів на хвилину
м	Метри
см	Сантиметри
мм	Міліметри
кг	Кілограми
IPX4	Ступінь захисту від пилу та вологи

## СИМВОЛИ, ЩО СТОСУЮТЬСЯ БЕЗПЕКИ



На цю інформацію необхідно звернути увагу



Зазначена дія припиняється

## ТЕХНІЧНІ ХАРАКТЕРИСТИКИ

Напруга	56 В	
Розмір деки	107 см	
Розмір колеса	Переднє	279,4 х 101,6 – 127 мм
	Заднє	457,2 х 241,3 – 203,2 мм
Тиск у холодній шині	Переднє	222,1 кПа
	Заднє	110,3 кПа
Радіус повороту	0	
Швидкість леза (об./хв)	2400; 2600; 2800; 3000	

UK

Максимальна швидкість руху	Вперед	4,8 км/год, 8,1 км/год, 9,7 км/год, 11,3 км/год (12,8 км/год у транспортувальному режимі)
	Назад	до 5,6 км/год
Заряджання	Зарядний пристрій (опціонально)	CHV1600E
	Адаптер (опціонально)	ACA1000
	Діапазон температур заряджання	5°C – 40°C

Регулювання висоти різання (10 положень)	25–100 мм	
Робоча температура	0°C – 40°C	
Температура зберігання	-20°C ... +70°C	
Вага (без акумулятора)	196 кг	
Вимірний рівень звукової потужності $L_{WA}$	96,44 дБ(А) K=0,68 дБ(А)	
Рівень звукового тиску на місці вуха оператора $L_{PA}$	84,3 дБ(А) K=3,0 дБ(А)	
Гарантований рівень звукової потужності $L_{WA}$ (відповідно до стандарту 2000/14/ЕС)	100 дБ(А)	
Вібрація $a_h$	Рука	1,221 м/с <sup>2</sup> K=1,5 м/с <sup>2</sup>
	Тіло	0,568 м/с <sup>2</sup> K=1,5 м/с <sup>2</sup>

- Вказане загальне значення вібрації виміряне за стандартним методом тестування і може використовуватися для порівняння одного інструмента з іншим;
- Заявлене сумарне значення вібрації може також використовуватись для попередньої оцінки впливу.

**ПРИМІТКА.** Емісія вібрації під час фактичного використання електроінструмента може відрізнятися від заявленої величини, у якій використовується інструмент. Щоб захистити оператора, користувач повинен одягати рукавички та захисні навушники в реальних умовах використання.

## РЕКОМЕНДОВАНІ АКСЕСУАРИ

**▲ ПОПЕРЕДЖЕННЯ.** Використовуйте лише ідентичні запчастини, перелічені нижче. Використання деталей, що не відповідають характеристикам оригінального обладнання, може призвести до неналежної роботи та поставити під загрозу безпеку.

НАЗВА ДЕТАЛІ	НОМЕР МОДЕЛІ
Стандартне лезо	AB4200
Лезо з високим підйомом	AB4201
Пробка для мульчування	AMP4200
Комплект укладальника трави	ABK4200-A
Задній бампер	AMB1000
Багажник	AMG1000
Навіс від сонця	AMS1000

## ОПИС

### ОЗНАЙОМЛЕННЯ З КОСАРКОЮ (рис. А1)

- Сидіння
- Порт для заряджання
- Блока живлення
- Світлодіодний задній ліхтар
- Відсік для зберігання
- Світлодіодний бічний ліхтар
- Задне колесо (приводне колесо)
- Промивний отвір
- Дека
- Протектор деки
- Колесо проти скальпування
- Передне колесо
- Педаль гальма стоянки
- Денні ходові вогні
- Світлодіодні фари
- Педаль акселератора
- Зона упору для ніг
- Бічний випускний жолоб
- Важіль регулювання висоти деки
- Ручка регулювання підвіски сидіння
- Кермове колесо
- Правий бічний ящик
- Важіль регулювання положення сидіння
- Перемикач валу відбору потужності

25. Кнопка «Пуск/Стоп»
26. Запобіжний ключ
27. Ніша для зберігання телефону
28. Підстаканники
29. Лівий важіль
30. Індикатор стану косарки
31. РК-екран
32. Правий важіль
33. Кнопка регулювання швидкості лез
34. Кнопка CCS
35. Кнопка режиму руху
36. Перемикач світлодіодного ліхтаря
37. Кнопка регулювання швидкості руху
38. Кнопка відкривання кришки блока живлення
39. Кришка блока живлення
40. Блок живлення з шістьма батарейними відсіками
41. Кнопка звільнення батареї
42. Зчіпка
43. Кришка кріплення навісного обладнання
44. USB-порт

### ОЗНАЙОМЛЕННЯ З РК-ЕКРАНОМ (рис. А2)

Див. розділ «КОДИ СТАНІВ І НЕСПРАВНОСТЕЙ КОСАРКИ» для отримання додаткової інформації про значки та індикатори на РК-екрані.

1. Значок заднього ходу
2. Значок CCS
3. Значок запобіжного ключа
4. Значок світлодіодного освітлення
5. Значок автоматичного паркування
6. Значок USB
7. Індикатор швидкості лез
8. Індикатор стану захисного пристрою
9. Лічильник годин
10. Значок вільного батарейного відсіку
11. Значок температури
12. Значок зайнятого батарейного відсіку
13. Режим руху

14. Індикатор коду несправності
15. Індикатор перевантаження
16. Індикатор низької потужності
17. Показчик рівня палива
18. Індикатор навантаження
19. Індикатор швидкості ходу

## РОЗПАКУВАННЯ

**ПРИМІТКА.** Зберігайте пакувальні матеріали, доки ви уважно не оглянете виріб і не почнете його нормально експлуатувати. Якщо будь-які деталі з пакувального листа встановлені на машині, негайно зв'яжіться із сервісною службою EGO.

**ПРИМІТКА.** За винятком інструментів із нижченаведеного пакувального списку, усі інші інструменти, згадані в посібнику, рекомендуються, але не надаються в комплекті.

**ПРИМІТКА.** Не знімайте пінопластовий блок під кермовим колесом, доки кермове колесо не буде правильно встановлене. Вібрація під час руху може стати причиною поломки кермового колеса.

### ПАКУВАЛЬНИЙ СПИСОК (РИС. В)

В-1	Самохідна їздова косарка з нульовим радіусом повороту	В-2	Сидіння
В-3	Пробка для мульчування	В-4	Гвинти з головкою під торцевий ключ (2 запасних)
В-5	Шестигранні ключі	В-6	Торцевий ключ
В-7	Ріжковий ключ	В-8	Запобіжні ключі
В-9	Пристрій для швидкої зміни навісного обладнання з отвором для промивання	В-10	Посібник користувача

## ЗБИРАННЯ

### УСТАНОВЛЕННЯ СІДІННЯ (рис. C1 – C4)

**▲ ПОПЕРЕДЖЕННЯ.** Систему захисного блокування не можна вимикати або обходити. Це може спричинити несподівану роботу газонокосарки, що може призвести до травм.

**ПРИМІТКА.** Задля вашої безпеки косарка може припинити рух через те, що вимикач сидіння від'єднався під час руху. У такому разі див. розділ «УСУНЕННЯ НЕСПРАВНОСТЕЙ» для отримання додаткової інформації.

C1-1	Гніздо	C1-2	Штекер
C1-3	Кабель	C2-1	Підлокітник сидіння
C2-2	Підвісна основа	C2-3	Торцевий ключ
C2-4	Гвинти з головкою під торцевий ключ	C2-5	Важіль регулювання положення сидіння
C3-1	Сталеві рейки	C3-2	Торцевий ключ
C3-3	Гвинти з головкою під торцевий ключ	C4-1	Гачок

### УСТАНОВЛЕННЯ КЕРМОВОГО КОЛЕСА (рис. C5 – C6)

C5-1	Стопорний болт	C5-2	Шина
C6-1	Розташування блока	C6-2	Отвір
C6-3	Захист кермового колеса		

### КРІПЛЕННЯ ПРОБКИ ДЛЯ МУЛЬЧУВАННЯ (рис. C7)

C7-1	Бічний випускний жолоб	C7-2	Пробка для мульчування
C7-3	Рухома пружина		

## РЕГУЛЮВАННЯ

### ПЕРЕД РЕГУЛЮВАННЯМ (рис. D1)

#### РЕГУЛЮВАННЯ ВИСОТИ РІЗУЧОЇ ДЕКИ (рис. D2)

#### РЕГУЛЮВАННЯ КОЛИЩАТОК ДЛЯ ЗАХИСТУ ВІД СКАЛЬПУВАННЯ (рис. D3 – D6)

D3-1	Колесо проти скальпування	D5-1	Гайка
D5-2	Ребристий Болт	D6-1	Етикетка висоти деки

#### РЕГУЛЮВАННЯ СІДІННЯ (рис. D7)

D7-1	Важіль регулювання положення сидіння	D7-2	Ручка регулювання підвіски сидіння
------	--------------------------------------	------	------------------------------------

#### РЕГУЛЮВАННЯ КЕРМОВОГО КОЛЕСА (рис. D8)

D8-1	Стопорний болт	D8-2	Шина
D8-3	Розташування блока	D8-4	Отвір

## ЕКСПЛУАТАЦІЯ

### ПЕРЕД ЕКСПЛУАТАЦІЄЮ (рис. E1)

#### УСТАНОВЛЕННЯ СТОЯНКОВОГО ГАЛЬМА (рис. E2)

E2-1	Відпущене положення	E2-2	Положення гальмування
------	---------------------	------	-----------------------

**ПРИМІТКА.** Ніколи не натискайте педаль гальма стоянки, щоб уповільнити швидкість. Щойно педаль гальма стоянки буде натиснуто достатньо, але не до упору, косарка перестане рухатися по рівній поверхні, але якщо це відбудеться на схилі, косарка може зісковзнути вниз по схилу.

## УСТАНОВЛЕННЯ І ЗНЯТТЯ АКУМУЛЯТОРА (рис. E3 – E6)

Для запуску цієї косарки потрібні акумулятори EGO на 15 А·год (2 X BA4200T/BA4200T) або більше. Для кращої роботи ми рекомендуємо використовувати акумулятори EGO загальною ємністю 30 А·год або більше.

E3-1	Кнопка відкривання кришки	E5-1	Кнопка звільнення батареї
------	---------------------------	------	---------------------------

## ЗАРЯДЖАННЯ КОСАРКИ

Використовуйте лише рекомендовані акумулятори та зарядні пристрої.

- Заряджайте акумулятор(и) окремо (рис. E7)

**ПРИМІТКА.** Детальні інструкції див. в посібниках відповідних акумуляторів і зарядного пристрою.

- Заряджайте акумулятор(и) через зарядний порт (рис. E8 – E10)

E10-1	Пилозахисний ковпачок	E10-2	Порт для заряджання
-------	-----------------------	-------	---------------------

## ПЕРЕВІРКА СИСТЕМИ ЗАХИСНОГО БЛОКУВАННЯ.

- Перевірка системи дека-лезо (рис. E11 – E12)
- Перевірка самохідної системи (рис. E13 – E14)

Якщо система «дека-лезо» та/або самохідна система не зупиняється, коли оператор перебуває поза сидінням, і якщо причина не може бути визначена після перевірки правильності підключення штекера та гнізда сидіння, зверніться в центр обслуговування клієнтів EGO негайно.

UK

## КОНТРОЛЬНИЙ СПИСОК ПЕРЕД ЕКСПЛУАТАЦІЄЮ

- Переконайтеся, що в робочій зоні немає дітей, сторонніх і домашніх тварин.
- Очистьте робочу зону від предметів, які можуть бути відкинуті лезами косарки.
- Очистьте косарку від сміття.
- Перевірте наявність ослаблених кріплень.

- Переконайтеся, що всі щітки на місці та працюють належним чином.
- Візуально перевірте, чи не спущено шини.
- Перевірте роботу гальма.
- Відрегулюйте висоту дека до бажаного положення косіння, що найбільше підходить для газону, і відповідним чином відрегулюйте колеса проти скальпування.
- Відрегулюйте положення сидіння та переконайтеся, що обидві педалі доступні.
- За необхідності відрегулюйте кермо в бажане положення.
- Перевірте рівень заряду батареї.
- Перевірте систему захисного блокування.

## ЗАПУСК КОСАРКИ (рис. E15 – E16)

**⚠ ПОПЕРЕДЖЕННЯ.** Уникайте різких пусків, зупинок і поворотів, а також надмірної швидкості, особливо під час початкового навчання роботі з косаркою. Косарка може швидко обертатися, що може призвести до втрати керування та серйозних травм і/або шкоди.

**⚠ ПОПЕРЕДЖЕННЯ.** Перед запуском газонокосарки перевірте та переконайтеся, що ножі від'єднані протягом 5 с, коли натискаєте перемикач вала відбору потужності вниз. Якщо леза не зупиняються, не використовуйте газонокосарку і негайно зверніться в службу підтримки клієнтів EGO.

**ПРИМІТКА.** Дотримуйтесь рис. E17 і рис. E18, щоб досягти найнижчої швидкості руху і перейти в СТАНДАРТНИЙ режим руху, доки ви не зможете повністю керувати косаркою в будь-яких ситуаціях. Газонокосарка відновить збережений попередній режим руху, швидкість руху та калібрування кермового колеса після перезапуску.

## РЕГУЛЮВАННЯ САМОХІДНОГО РЕЖИМУ (рис. E17)

- **КОНТРОЛЬ.** Нижче прискорення, менш чутливе керування і помірні швидкості повороту для захисту трави та для нових користувачів.
- **СТАНДАРТ.** Ідеально підходить для повсякденного використання.
- **СПОРТ.** Більше прискорення, точне керування та круті повороти для максимальної ефективності косіння та для ентузіастів косіння.



**ПРИМІТКА.** Самохідний режим не можна регулювати під час руху. Функція активується тільки тоді, коли колеса косарки зупинені.

#### Регулювання швидкості руху (рис. E18)

**ПРИМІТКА.** У режимі «ТУРБО» натисніть «-», швидкість руху повернеться до попереднього режиму.

#### Регулювання швидкості лез (рис. E19)

##### Світлодіодні вогні

- Керування фарами, габаритними вогнями та задніми ліхтарями здійснюється за допомогою перемикача світлодіодного освітлення.
- Під час руху ходові вогні завжди горять.
- Під час руху заднім ходом, якщо задні ліхтарі вимкнені, вони блиматимуть, щоб попередити оточуючих; якщо задні ліхтарі ввімкнені, вони залишаться ввімкненими.
- Усі вогні автоматично вимикаються, коли газонокосарка автоматично вимикається після періоду бездіяльності.

##### USB-порт

**ПРИМІТКА.** Порт USB забезпечує заряджання 5 В постійного струму при сумарному споживанні 1,5 А і отримує живлення, тільки газонокосарка запущена.

#### ЗУПИНКА КОСАРКИ (рис. E20)

**ПРИМІТКА.** Після більше ніж 60 хвилин бездіяльності косарка автоматично вимкнеться.

##### Аварійний режим

Коли заряд батареї стає критично низьким, газонокосарка переходить в аварійний режим, щоб зберегти достатньо енергії та повернутися до зони заряджання.

- Леза перемикаються на низьку швидкість обертання, що дає змогу зрізати невелику кількість трави. У разі зустрічі з високою та густою травою леза перестають обертатися. Лунатиме переривчастий звуковий сигнал.
- Індикатор стану газонокосарки блиматиме червоним кожну секунду. Блиматимуть також індикатор низького заряду та значок батареї на вказівнику рівня заряду.

Оператор повинен:

- Натиснути перемикач вала відбору потужності вниз, щоб вимкнути мотори лез. Звуковий індикатор перестане видавати звукові сигнали, коли мотори лез зупиняться.
- Припинити роботу і якомога швидше дістатися до зони заряджання. Максимальна відстань, яку може проїхати косарка, становить 1000 м.

Коли акумулятор майже розряджений, значок кожного зайнятого акумуляторного відсіку та індикатор низького заряду блиматимуть кожні півсекунди. Косарка негайно перестане працювати. Оператору доведеться транспортувати газонокосарку в зону заряджання, щоб зарядити її.

**ПРИМІТКА.** Якщо потрібне штовхання вручну, переконайтеся, що акумуляторні батареї відключені від газонокосарки і педаль гальма стоянки відпущена з положення гальмування.

#### КЕРУВАННЯ КОСАРКОЮ (рис. E21)

**⚠ НЕБЕЗПЕКА.** Тримайтеся на відстані принаймні подвійної ширини скошування від канав, обривів або води. Передні колеса можуть обертатися, коли косарка зупинена, навіть із задіяним гальмом, що може привести до вильоту косарки за край або у воду та спричинити смерть або серйозні травми.

**⚠ ПОПЕРЕДЖЕННЯ.** Перш ніж рухатися заднім ходом, стежте за тим, що за косаркою. НЕ косіть у зворотному напрямку без крайньої необхідності. Завжди дивіться вниз і назад перед тим, як їхати заднім ходом, щоб переконатися, що в зону косіння не входять діти, сторонні люди або домашні тварини. Пам'ятайте, що півсекунди неувважності досить для смерті або серйозної травми.

**⚠ ПОПЕРЕДЖЕННЯ.** Не використовуйте цю машину на дорогах загального користування.

**⚠ ПОПЕРЕДЖЕННЯ.** У разі блокування або удару об сторонній предмет зупиніть двигуни та вийміть усі батареї. Видаліть скошену траву, листя, бруд і будь-яке інше сміття, що скупчилося; ретельно огляньте косарку на предмет пошкоджень і усуньте пошкодження перед повторним запуском і експлуатацією косарки.

## ВИКОРИСТАННЯ КРУЇЗ-КОНТРОЛЮ (CCS)

Для активації CCS під час руху (рис. E22)

**ПРИМІТКА.** Рівень швидкості руху, що відображається на РК-екрані, може неточно відображати фактичну швидкість руху газонокосарки в режимі круїз-контролю. Натисніть одну з кнопок регулювання швидкості («←» або «→»), щоб «оновити» та відрегулювати рівень швидкості руху на РК-екрані.

**Щоб вийти з CCS і зупинити газонокосарку**, ви можете вибрати один із чотирьох способів:

- Натисніть педаль акселератора, а потім відпустіть її.
- Потягніть лівий/правий важіль до себе та відпустіть.
- Натисніть на педаль гальма стоянки.
- Натисніть кнопку CCS.

**ПРИМІТКА.** Натисніть педаль акселератора до упору, щоб досягти поточної швидкості CCS, і продовжуйте натискати на педаль. Круїз-контроль вимкнеться, і газонокосарка продовжить рух із поточною швидкістю.

## ОБСЛУГОВУВАННЯ

**⚠ ПОПЕРЕДЖЕННЯ.** Завжди носіть засоби захисту органів зору із закисними щитками Недотримання цього правила може призвести до потрапляння предметів в очі та стати причиною серйозних травм.

**⚠ ПОПЕРЕДЖЕННЯ.** Завжди захищайте руки, одягнувши товсті рукавички або обгорнувши ріжучі кромки ганчірками чи іншими матеріалами під час виконання будь-якого технічного обслуговування леза косарки. Під час обслуговування або транспортування косарки завжди виймайте запобіжний ключ та акумуляторну батарею.

UK

Інтервал технічного обслуговування	Порядок обслуговування
Перед кожним використанням або щодня	<ul style="list-style-type: none"> <li>■ Перевірте систему захисного блокування.</li> <li>■ Візуально перевірте, чи не спущено шини.</li> <li>■ Огляньте лезо.</li> <li>■ Огляньте весь виріб на предмет пошкоджень, відсутніх або незакріплених деталей, таких як бічний випускний жолоб, гвинти, гайки, болти, кришки тощо, переконавшись, що всі щитки розміщені на своїх місцях і працюють належним чином.</li> <li>■ Перевірте та переконайтеся, що педаль акселератора може бути належним чином натиснута та відпущена.</li> <li>■ Перевірте демпфер кермового колеса. Кермове колесо має обертатися з певним опором.</li> </ul>
Після кожного використання	<ul style="list-style-type: none"> <li>■ Очистьте деку косарки.</li> </ul>
Кожні 25 годин	<ul style="list-style-type: none"> <li>■ Перевірити тиск у шинах.</li> </ul>
Кожні 100 годин	<ul style="list-style-type: none"> <li>■ Перевірте задні колеса, переконавшись, що всі затискні гайки затягнуто з рекомендованим крутним моментом.</li> </ul>
Кожні 200 годин	<ul style="list-style-type: none"> <li>■ Перевірте передні колеса та переконайтеся, що вони вільно обертаються.</li> </ul>



Перед зберіганням	<ul style="list-style-type: none"> <li>Вийміть батареї з косарки.</li> <li>Зніміть запобіжний ключ із косарки.</li> <li>Виконайте всі перелічені вище процедури технічного обслуговування і ретельно очистьте газонокосарку.</li> <li>Огляньте весь виріб на наявність пошкоджених, відсутніх або незакріплених деталей, замініть або затягніть відповідні деталі перед зберіганням.</li> </ul>
Щорічно	<ul style="list-style-type: none"> <li>Перевірте педаль гальма стоянки. Зніміть акумулятор із косарки та встановіть педаль гальма стоянки в положення гальмування. Вручну штовхайте косарку вперед, щоб перевірити, чи можна її переміщати. Якщо вона переміщається, зверніться до кваліфікованого фахівця з обслуговування.</li> </ul>

## ЗАГАЛЬНИЙ ТЕХНІЧНИЙ ДОГЛЯД

Очищення корпусу косарки (рис. F1 – F2)

Використання промивного отвору для очищення деки косарки (рис. F3 – F4)

F2-1	Промивний отвір	F2-2	Пристрій для швидкої зміни навісного обладнання з отвором для промивання
F2-3	Садовий шланг		

**ПРИМІТКА.** Закінчивши очищення, повністю вимкніть газонокосарку, а потім вийміть садовий шланг і швидко роз'єднайте з'єднання.

## ТЕХНІЧНЕ ОБСЛУГОВУВАННЯ КОСАРКИ ТА ЛЕЗ

ПІДГОТОВКА (рис. G1)

Зняття деки косарки (рис. G2 – G3)

G2-1	Кабель двигуна	G2-2	Привод підвіски
G2-3	Шплінт		

**ПРИМІТКА.** Від'єднайте всі кабелі мотора та шплінти під час зняття деки косарки.

Заміна ріжучих лез (рис. G4 – G6)

G4-1	Стабілізатор	G5-1	Болт
G5-2	Шайба	G5-3	Лезо
G5-4	Фланець	G5-5	Вал мотора

Вирівнювання деки косарки

a. Коли слід вирівнювати (рис. G7 – G9)

b. Перед вирівнюванням

- Перевірка тиску в холодних шинах (рис. G10)
- Перевірте ріжучі леза. За необхідності зніміть і замініть зношені, тріснуті та/або погнуті леза.

c. Підготовка до вирівнювання (рис. G11)

d. Як вирівняти

- Поперечне регулювання (рис. G12)
- Повздожнє регулювання (рис. G13)

## КАЛІБРУВАННЯ СИСТЕМИ ВІДСТЕЖЕННЯ КОСАРКИ (рис. H1 – H2)

**ПРИМІТКА.** Звуковий сигнал пролунає один раз як під час запуску калібрування, так і після його завершення.

**ПРИМІТКА.** Калібрування, виконане для одного з режимів руху («КОНТРОЛЬ», «СТАНДАРТ», «СПОРТ») може бути недоступним для двох інших режимів. За необхідності відкалібруйте кермо в кожному режимі руху окремо.

## СКИДАННЯ КОСАРКИ ДО ПОЧАТКОВИХ ЗАВОДСЬКИХ НАЛАШТУВАНЬ (рис. I)

**ПРИМІТКА.** Звуковий сигнал пролунає один раз як під час запуску скидання, так і після його завершення.

**ПРИМІТКА.** Після успішного скидання наведені нижче параметри повернуться до початкових заводських налаштувань:

- самохідний режим
- швидкість руху
- калібрування кермового колеса

## ЗБЕРІГАННЯ ТА ТРАНСПОРТУВАННЯ

### ТРАНСПОРТУВАННЯ КОСАРКИ

(рис. J1 – J5)

**ПРИМІТКА.** За необхідності закріпіть косарку ременями або тросами, щоб запобігти її переміщенню під час транспортування.

### ЗБЕРІГАННЯ (рис. K1 — K2)

**ПРИМІТКА.** Зніміть акумуляторні батареї та зберігайте акумулятори згідно з відповідними інструкціями.

Очистьте та перевірте косарку перед зберіганням.

Див. розділи «**ОЧИЩЕННЯ КОСАРКИ**» та «**РЕКОМЕНДОВАНИЙ ГРАФІК(И) ТЕХНІЧНОГО ОБСЛУГОВУВАННЯ**».

#### Захист довкілля



WEEE (відходи електричного та електронного устаткування) Не викидайте електричне обладнання, акумулятор і зарядний пристрій у побутові відходи! Віднесіть цей виріб авторизованому переробнику й надайте його для роздільного збирання. Електроінструменти необхідно повернути в підприємство, що займається екологічно безпечною переробкою.

## УСУНЕННЯ НЕСПРАВНОСТЕЙ

НЕСПРАВНІСТЬ	ПРИЧИНА	ВИРІШЕННЯ
Газонокосарка з нульовим радіусом повороту не їде, коли педаль акселератора натиснута.	<ul style="list-style-type: none"> <li>Сумарна ємність усталених батарей не відповідає вимогам.</li> </ul>	<ul style="list-style-type: none"> <li>Щоб запустити косарку, використовуйте достатню кількість акумуляторів EGO, дотримуючись інструкцій у розділі «УСТАНОВЛЕННЯ І ВИДАЛЕННЯ АКУМУЛЯТОРА» цього посібника.</li> </ul>
	<ul style="list-style-type: none"> <li>Педаль гальма стоянки встановлена в положення гальмування.</li> </ul>	<ul style="list-style-type: none"> <li>Повністю натисніть педаль гальма стоянки, щоб вивести її з положення гальмування.</li> </ul>
	<ul style="list-style-type: none"> <li>І лівий, і правий важелі не потягнуто на короткий час до оператора, щоб індикатор стану газонокосарки загорівся зеленим під час запуску газонокосарки.</li> </ul>	<ul style="list-style-type: none"> <li>Потягніть лівий і правий важелі на оператора одночасно, а потім відпустіть. Індикатор стану косарки загориться зеленим кольором, що означає, що косарка готова до запуску.</li> </ul>
	<ul style="list-style-type: none"> <li>Оператор не сидить на сидінні.</li> </ul>	<ul style="list-style-type: none"> <li>Тільки коли оператор правильно сидить на сидінні, він може керувати косаркою.</li> </ul>
	<ul style="list-style-type: none"> <li>Перемикач сидіння неправильно підключений.</li> </ul>	<ul style="list-style-type: none"> <li>Вийміть акумулятор із газонокосарки та розберіть сидіння в порядку, зворотному інструкціям у розділі «УСТАНОВЛЕННЯ СИДІННЯ» цього посібника, щоб переконатися, що штекер кабелю правильно підключена до гнізда в нижній частині сидіння. Зберіть сидіння та виконайте кроки з розділу «ЗАПУСК КОСАРКИ», щоб перезапустити газонокосарку та перевірити, чи газонокосарка запускається. Якщо ні, зверніться до кваліфікованого спеціаліста з обслуговування.</li> </ul>
	<ul style="list-style-type: none"> <li>У дуже холодну погоду самохідна функція може не запуститися через захист від низьких температур.</li> </ul>	<ul style="list-style-type: none"> <li>Завжди зберігайте косарку та акумулятор у теплу місці. Перезапустіть газонокосарку, коли вона прогріється. Не робіть повторних спроб у дуже холодну погоду, оскільки це може призвести до пошкодження машини.</li> </ul>
	<ul style="list-style-type: none"> <li>Хід педалі акселератора перешкоджається засміченням.</li> </ul>	<ul style="list-style-type: none"> <li>Перевірте і видаліть сміття.</li> </ul>
	<ul style="list-style-type: none"> <li>Вихід з ладу механічних або електронних компонентів педалі акселератора.</li> </ul>	<ul style="list-style-type: none"> <li>Зверніться до кваліфікованого фахівця з обслуговування для ремонту.</li> </ul>

НЕСПРАВНІСТЬ	ПРИЧИНА	ВИРІШЕННЯ
Газонокосарка з нульовим радіусом повороту більше не їде.	<ul style="list-style-type: none"> <li>Лівий/правий важіль вимагає "скидання".</li> </ul>	<ul style="list-style-type: none"> <li>Потягніть лівий/правий важелі до себе та відпустіть їх. Косарка готова до роботи, коли індикатор стану світиться зеленим.</li> </ul>
	<ul style="list-style-type: none"> <li>Вихід із ладу електронних компонентів педалі акселератора.</li> </ul>	<ul style="list-style-type: none"> <li>Зверніться до кваліфікованого фахівця з обслуговування для ремонту.</li> </ul>
	<ul style="list-style-type: none"> <li>Система блокування сидіння відключилася під час руху пересіченою місцевістю.</li> </ul>	<ul style="list-style-type: none"> <li>Вийміть акумулятор із газонокосарки та розберіть сидіння в порядку, зворотному інструкціям у розділі «УСТАНОВЛЕННЯ СИДІННЯ» цього посібника, щоб переконатися, що штекер кабелю правильно підключена до гнізда в нижній частині сидіння. Зберіть сидіння та виконайте кроки з розділу «ЗАПУСК КОСАРКИ», щоб перезапустити газонокосарку та перевірити, чи газонокосарка запускається. Якщо ні, зверніться до кваліфікованого спеціаліста з обслуговування.</li> </ul>
	<ul style="list-style-type: none"> <li>Вага оператора нерівномірно розподілена по сидінню. Вага оператора на сидінні має бути не менше 20 кг, щоб система захисного блокування сидіння працювала належним чином.</li> </ul>	<ul style="list-style-type: none"> <li>Сядьте на сидіння правильно, потягніть лівий/правий або обидва важелі до себе та відпустіть їх, косарка готова до роботи.</li> </ul>
	<ul style="list-style-type: none"> <li>За необхідності від'єднайте і знову підключіть акумуляторну батарею.</li> </ul>	<ul style="list-style-type: none"> <li>Щоб перезапустити газонокосарку, дотримуйтесь інструкцій у розділі «ЗАПУСК КОСАРКИ».</li> </ul>
<ul style="list-style-type: none"> <li>Педаль гальма стоянки натискається для зниження швидкості руху. Щойно педаль гальма стоянки буде натиснута достатньо, але не до положення стоянки, газонокосарка зупиниться.</li> </ul>	<ul style="list-style-type: none"> <li>Щоб перезапустити газонокосарку, дотримуйтесь інструкцій у розділі «ЗАПУСК КОСАРКИ».</li> </ul>	
Самохідний режим не можна регулювати під час руху.	<ul style="list-style-type: none"> <li>Це функція самохідної косарки з нульовим радіусом повороту для безпечного руху.</li> </ul>	<ul style="list-style-type: none"> <li>Функція активується тільки тоді, коли колеса косарки зупинені.</li> </ul>

НЕСПРАВНІСТЬ	ПРИЧИНА	ВИРІШЕННЯ
<p>Самохідна косарка з нульовим радіусом повороту не запускає ножі під час увімкнення перемикача вала відбору потужності.</p>  <p>Значок перемикача вала відбору потужності блимає</p>	<ul style="list-style-type: none"> <li>Сумарна ємність уставлених батарей не відповідає вимогам.</li> </ul>	<ul style="list-style-type: none"> <li>Щоб запустити газонокосарку, використовуйте достатню кількість акумуляторів EGO, дотримуючись інструкцій у розділі «УСТАНОВЛЕННЯ І ВИДАЛЕННЯ АКУМУЛЯТОРА» цього посібника.</li> </ul>
	<ul style="list-style-type: none"> <li>Перемикач вала відбору потужності не був натиснутий, коли газонокосарка востаннє вимикалася.</li> </ul>	<ul style="list-style-type: none"> <li>Натисніть перемикач вала відбору потужності вниз, а потім вгору, щоб перезапустити мотор лез.</li> </ul>
	<ul style="list-style-type: none"> <li>Косарка перевантажена в момент початку обертання ножів, що призводить до спрацьовування самозахисту двигуна.</li> </ul>	<ul style="list-style-type: none"> <li>Спочатку почніть косити траву косаркою на нижчій швидкості лез і не збільшуйте швидкість лез, доки леза не почнуть нормально обертатися.</li> </ul>
	<ul style="list-style-type: none"> <li>У дуже холодну погоду мотор лез може не запуститися через захист від низьких температур.</li> </ul>	<ul style="list-style-type: none"> <li>Завжди зберігайте косарку та акумулятор у теплом місці. Перезапустіть газонокосарку, коли вона прогріється. Не робіть повторних спроб у дуже холодну погоду, оскільки це може призвести до пошкодження машини.</li> </ul>
	<ul style="list-style-type: none"> <li>Лезо зачіпає деформовану деку косарки.</li> </ul>	<ul style="list-style-type: none"> <li>Зателефонуйте до клієнтського сервісного центру EGO.</li> </ul>
	<ul style="list-style-type: none"> <li>Косарка рухається зі швидкістю режиму «ТРАНСПОРТУВАННЯ».</li> </ul>	<ul style="list-style-type: none"> <li>Коли косарка рухається зі швидкістю режиму «ТРАНСПОРТУВАННЯ», мотори лез автоматично зупиняються.</li> </ul>

НЕСПРАВНІСТЬ	ПРИЧИНА	ВИРІШЕННЯ
<p>Ножі перестають працювати під час косіння трави.</p>	<ul style="list-style-type: none"> <li>Косарка перевантажена.</li> </ul>	<ul style="list-style-type: none"> <li>Збільште висоту різання деки або зменште швидкість руху, щоб знизити навантаження на косарку.</li> </ul>
	<ul style="list-style-type: none"> <li>Дека косарки забита травою та сміттям.</li> </ul>	<ul style="list-style-type: none"> <li>Очистьте дека косарки та переконайтеся, що леза мають свободу руху.</li> </ul>
	<ul style="list-style-type: none"> <li>Косарка перегрілася.</li> </ul>	<ul style="list-style-type: none"> <li>Зменште навантаження на косарку, збільшивши висоту різання деки або знизивши швидкість лез/руху і дайте косарці охолонути.</li> </ul>
	<ul style="list-style-type: none"> <li>Акумуляторна батарея(-ї) в акумуляторному відсіку газонокосарки перегрівається, у результаті чого сумарна ємність усіх вставлених акумуляторів не відповідає вимогам.</li> </ul>	<ol style="list-style-type: none"> <li>Газонокосарка може продовжувати працювати, якщо сумарна ємність акумуляторів, виключаючи перегріту акумуляторну батарею, відповідає вимогам. Щойно перегріта батарея повернеться до нормальної температури, вона негайно ввімкне живлення газонокосарки.</li> </ol>
		<ol style="list-style-type: none"> <li>Якщо сумарна ємність акумуляторів не відповідає вимогам, газонокосарка не працюватиме, доки у вільні акумуляторні відсіки не буде вставлено більше акумуляторних батарей.</li> </ol>
		<ol style="list-style-type: none"> <li>Зменште навантаження на косарку, збільшивши висоту стриження деки або знизивши швидкість косіння під час поновлення роботи.</li> </ol>
	<ul style="list-style-type: none"> <li>Косарка перебуває в аварійному режимі.</li> </ul>	<ul style="list-style-type: none"> <li>Коли косарка перебуває в аварійному режимі, ножі автоматично перемикаються на низьку швидкість обертання. Оператор повинен припинити роботу і якомога швидше проїхати в зону заряджання акумулятора.</li> </ul>
	<ul style="list-style-type: none"> <li>Косарка стикається зі стороннім предметом, що призводить до самозахисту двигуна.</li> </ul>	<ul style="list-style-type: none"> <li>Натисніть перемикач вала відбору потужності вниз, а потім вгору, щоб перезапустити мотор лез.</li> </ul>
<ul style="list-style-type: none"> <li>Швидкість косарки встановлено на режим «ТРАНСПОРТУВАННЯ» (транспортування).</li> </ul>	<ul style="list-style-type: none"> <li>Коли швидкість косарки встановлено в режимі «ТРАНСПОРТУВАННЯ», мотори лез автоматично зупиняються.</li> </ul>	

НЕСПРАВНІСТЬ	ПРИЧИНА	ВИРІШЕННЯ
Звуковий сигнал продовжує лунати.	<ul style="list-style-type: none"> <li>Косарка перебуває в аварійному режимі, і леза не вимкнені.</li> </ul>	<ul style="list-style-type: none"> <li>Натисніть перемикач вала відбору потужності вниз, щоб вимкнути мотори лез. Звуковий індикатор перестане видавати звукові сигнали, коли мотори лез буде вимкнено.</li> </ul>
	<ul style="list-style-type: none"> <li>Косарка припиняє рух по схилу, оператор підводиться із сидіння, не встановивши педаль гальма стоянки в положення гальмування.</li> </ul>	<ul style="list-style-type: none"> <li>Перш ніж залишити косарку на схилі, установіть педаль гальма стоянки в положення гальмування.</li> </ul>
Індикатори заряду акумулятора продовжують горіти, коли газонокосарка вимкнена.	<ul style="list-style-type: none"> <li>Якщо вимкнути газонокосарку на землі без зняття акумуляторної батареї з косарки, індикатори заряду акумулятора, кнопка «Пуск/Стоп» і кнопка CCS горітимуть протягом певного часу.</li> </ul>	<ul style="list-style-type: none"> <li>Жодних дій не потрібно. Індикатори акумулятора згаснуть, коли косарка вимкнеться через деякий час. Період часу вказано в розділі «<b>ЗУПИНКА КОСАРКИ</b>».</li> </ul>
	<ul style="list-style-type: none"> <li>Коли газонокосарка вимикається на схилі без установлення педалі гальма стоянки в положення гальмування, індикатори заряду акумулятора горітимуть, доки не розрядиться акумулятор. Звуковий індикатор продовжує при цьому подавати звукові сигнали.</li> </ul>	<ul style="list-style-type: none"> <li>Перш ніж залишити косарку на схилі, установіть педаль гальма стоянки в положення гальмування.</li> </ul>
РК-екран не світиться, коли всі значки ввімкнено.	<ul style="list-style-type: none"> <li>Кнопку «Пуск/Стоп» було натиснуто протягом достатнього часу.</li> </ul>	<ul style="list-style-type: none"> <li>На РК-екрані відображається «Показчик рівня палива» тільки під час короткого натискання кнопки «Пуск/Стоп».</li> </ul>
		<ul style="list-style-type: none"> <li>РК-екран увімкнеться після натискання й утримання кнопки «Пуск/Стоп» протягом достатнього часу.</li> </ul>
Косарка ріже нерівномірно, зі значною різницею по висоті спереду і ззаду.	<ul style="list-style-type: none"> <li>Леза затупились.</li> </ul>	<ul style="list-style-type: none"> <li>Заточіть або замініть ріжуче лезо, як зазначено в цій інструкції.</li> </ul>
	<ul style="list-style-type: none"> <li>Леза погнуті.</li> </ul>	<ul style="list-style-type: none"> <li>Замініть погнуте ріжуче лезо, дотримуючись вказівок у розділі «<b>ЗАМІНА РІЖУЧИХ ЛЕЗ</b>».</li> </ul>
	<ul style="list-style-type: none"> <li>Дека косарки не вирівняна, що призводить до різної висоти ріжучого леза.</li> </ul>	<ul style="list-style-type: none"> <li>Вирівняйте дека косарки, дотримуючись вказівок у розділі «<b>ВИРІВНЮВАННЯ ДЕКИ КОСАРКИ</b>».</li> </ul>



НЕСПРАВНІСТЬ	ПРИЧИНА	ВИРІШЕННЯ
Фактична висота скошування трави не відповідає заявленій висоті.	<ul style="list-style-type: none"> <li>Ослаблені гайки деки косарки на приводі підвіски.</li> </ul>	<ul style="list-style-type: none"> <li>Дотримуйтесь інструкцій у розділі «<b>ВИРІВНЮВАННЯ ДЕКИ КОСАРКИ</b>», щоб виконати правильне регулювання деки косарки спереду назад, і надійно затягніть чотири гайки на приводі підвіски.</li> </ul>
	<ul style="list-style-type: none"> <li>Дека косарки пошкоджена або серйозно зношена.</li> </ul>	<ul style="list-style-type: none"> <li>Дотримуйтесь вказівок у розділі «<b>ЗНЯТТЯ ДЕКИ КОСАРКИ</b>», щоб замінити деку косарки.</li> </ul>
Косарка не мульчує правильно.	<ul style="list-style-type: none"> <li>Обрізки мокрої трави приклеюються до нижньої поверхні деки.</li> </ul>	<ul style="list-style-type: none"> <li>Зачекайте, доки трава не висохне, перед косінням.</li> </ul>
	<ul style="list-style-type: none"> <li>Косарка встановлена для зрізання занадто великої кількості трави за раз.</li> </ul>	<ul style="list-style-type: none"> <li>Підніміть деку, щоб установити вищу висоту зрізання.</li> </ul>
Надмірна вібрація.	<ul style="list-style-type: none"> <li>Ріжучі леза ослабли.</li> </ul>	<ul style="list-style-type: none"> <li>Затягніть болт леза з рекомендованим моментом.</li> </ul>
	<ul style="list-style-type: none"> <li>Леза погнуті.</li> </ul>	<ul style="list-style-type: none"> <li>Замініть погнуте ріжуче лезо, дотримуючись вказівок у розділі «<b>ЗАМІНА РІЖУЧИХ ЛЕЗ</b>».</li> </ul>
	<ul style="list-style-type: none"> <li>Дека косарки не вирівняна.</li> </ul>	<ul style="list-style-type: none"> <li>Вирівняйте деку косарки, дотримуючись вказівок у розділі «<b>ВИРІВНЮВАННЯ ДЕКИ КОСАРКИ</b>».</li> </ul>
	<ul style="list-style-type: none"> <li>Ослаблені гайки деки косарки на приводі підвіски.</li> </ul>	<ul style="list-style-type: none"> <li>Затягніть гайки на приводі підвіски.</li> </ul>
	<ul style="list-style-type: none"> <li>Косарка встановлена для зрізання занадто великої кількості трави за раз.</li> </ul>	<ul style="list-style-type: none"> <li>Підніміть деку, щоб установити вищу висоту зрізання.</li> </ul>
Після стрижки на землі залишилася трава або сміття.	<ul style="list-style-type: none"> <li>Косарка встановлена для зрізання занадто великої кількості трави за раз, якщо трава висока.</li> </ul>	<ul style="list-style-type: none"> <li>Почніть із великої висоти різання та зменшуйте її, доки не отримаєте бажаний результат косіння. Траву висотою більше 152 мм слід косити двічі, послідовно зменшуючи висоту різання.</li> </ul>
	<ul style="list-style-type: none"> <li>Трава мокра.</li> </ul>	<ul style="list-style-type: none"> <li>Не косіть вологу траву, доки вона не висохне.</li> </ul>
	<ul style="list-style-type: none"> <li>Швидкість руху висока.</li> </ul>	<ul style="list-style-type: none"> <li>Зменште швидкість руху.</li> </ul>
	<ul style="list-style-type: none"> <li>Швидкість лез низька.</li> </ul>	<ul style="list-style-type: none"> <li>Поступово збільшуйте швидкість лез.</li> </ul>
Короткий час роботи косарки від комплектного акумулятора.	<ul style="list-style-type: none"> <li>Рельєф газону, стан трави, встановлення висоти косіння, швидкість руху, швидкість ножа тощо сильно впливають на час роботи.</li> </ul>	<ul style="list-style-type: none"> <li>Підніміть висоту різання деки і зменште швидкість лез, щоб зменшити навантаження під час різання.</li> </ul>



НЕСПРАВНІСТЬ	ПРИЧИНА	ВИРІШЕННЯ
Газонокосарка їде не по прямій.	<ul style="list-style-type: none"> <li>Тиск у шинах лівого і правого задніх коліс різний.</li> </ul>	<ul style="list-style-type: none"> <li>Перевірте та відрегулюйте тиск повітря в шинах обох задніх коліс відповідно до розділу «ТЕХНІЧНІ ХАРАКТЕРИСТИКИ».</li> </ul>
	<ul style="list-style-type: none"> <li>Швидкість руху лівого і правого задніх коліс різна.</li> </ul>	<ul style="list-style-type: none"> <li>Відкалібруйте кермове колесо, дотримуючись вказівок у розділі «КАЛІБРУВАННЯ САМОХІДНОЇ СИСТЕМИ КОСАРКИ».</li> </ul>
Педаль гальма стоянки не може бути відпущена з положення гальмування або повільно повертається у вихідне положення.	<ul style="list-style-type: none"> <li>Усередину педалі гальма стоянки може потрапити сміття або бруд.</li> </ul>	<ul style="list-style-type: none"> <li>Відкрийте коробку педалі гальма стоянки, щоб ретельно очистити коробку всередині, і закрийте її. Скиньте педаль гальма стоянки, щоб побачити, чи вирішена проблема. Якщо ні, зверніться до кваліфікованого спеціаліста з обслуговування.</li> </ul>
Косарка не може заряджатися через зарядний порт, коли індикатор стану косарки постійно горить червоним.	<ul style="list-style-type: none"> <li>Штекер зарядного пристрою неправильно вставлений у зарядний порт газонокосарки.</li> </ul>	<ul style="list-style-type: none"> <li>Знову підключіть вилку зарядного пристрою, щоб перевірити, чи газонокосарка заряджається у звичайному режимі.</li> </ul>
	<ul style="list-style-type: none"> <li>У розетках немає електрики.</li> </ul>	<ul style="list-style-type: none"> <li>Жодних дій не потрібно. Зачекайте, доки подача живлення не відновиться.</li> </ul>
	<ul style="list-style-type: none"> <li>Несправність зарядного пристрою.</li> </ul>	<ul style="list-style-type: none"> <li>Зателефонуйте до Центру обслуговування клієнтів EGO для перевірки та ремонту зарядного пристрою, якщо це необхідно.</li> </ul>
	<ul style="list-style-type: none"> <li>Зарядний порт на газонокосарці несправний.</li> </ul>	<ul style="list-style-type: none"> <li>Зателефонуйте до клієнтського сервісного центру EGO.</li> </ul>
Заряджання через зарядний порт газонокосарки займає забагато часу.	<ul style="list-style-type: none"> <li>Заряджання за допомогою адаптера EGO ACA1000 займає багато часу.</li> </ul>	<ul style="list-style-type: none"> <li>Використовуйте зарядний пристрій EGO CHV1600E для безпосереднього заряджання самохідної косарки з нульовим радіусом повороту.</li> </ul>
Акумулятор не може бути повністю заряджений через зарядний порт газонокосарки.	<ul style="list-style-type: none"> <li>Помилка прошивки косарки або несправність акумулятора чи зарядного пристрою.</li> </ul>	<ul style="list-style-type: none"> <li>Скиньте зарядний пристрій, від'єднавши його від розетки, і почекайте більше кількох хвилин. Потім знову підключіть вилку до джерела живлення. Якщо це не вирішить проблему, зателефонуйте до Центру обслуговування клієнтів EGO.</li> </ul>

НЕСПРАВНІСТЬ	ПРИЧИНА	ВИРІШЕННЯ
Косарка не запускається після очищення.	<ul style="list-style-type: none"> <li>Неправильна очищення, наприклад, потрапляння води на електричні компоненти, РК-екран тощо.</li> </ul>	<ul style="list-style-type: none"> <li>Дотримуйтеся вказівок у розділі «ЗАГАЛЬНЕ ОБСЛУГОВУВАННЯ», щоб правильно очистити газонокосарку.</li> <li>Якщо газонокосарка випадково потрапила під дощ, дайте їй висохнути на відкритому повітрі або висушіть її стисненим повітрям.</li> </ul>
Дека косарки швидко забивається.	<ul style="list-style-type: none"> <li>Деку косарки не очищено належним чином після попереднього використання.</li> </ul>	<ul style="list-style-type: none"> <li>Очищайте дека газонокосарки після кожного використання, дотримуючись вказівок у розділі «ВИКОРИСТАННЯ ПРОМИВНОГО ОТВОРУ ДЛЯ ОЧИЩЕННЯ ДЕКИ КОСАРКИ».</li> </ul>
Косарка легко втрачає тягу під час підйому по схилу.	<ul style="list-style-type: none"> <li>Зношені шини задніх коліс.</li> </ul>	<ul style="list-style-type: none"> <li>Зверніться до місцевого сервісного центру для заміни колісних шин.</li> </ul>
	<ul style="list-style-type: none"> <li>Косіння на крутому схилі.</li> </ul>	<ul style="list-style-type: none"> <li>Косарку не можна використовувати для косіння на схилах із крутістю, що перевищує дозволену.</li> </ul>
Коли косарка зупиняється на схилі з натиснутою педаллю гальма стоянки, косарка може скотитися вниз по схилу.	<ul style="list-style-type: none"> <li>Компоненти гальма надмірно зношені через неправильну експлуатацію косарки.</li> </ul>	<ul style="list-style-type: none"> <li>Зателефонуйте в Центр обслуговування клієнтів EGO щодо ремонту.</li> </ul>
Під час спроби помити дека з отвору для промивання не надходить вода.	<ul style="list-style-type: none"> <li>Швидкороз'ємне з'єднання промивного отвору не встановлено належним чином у промивний отвір.</li> </ul>	<ul style="list-style-type: none"> <li>Знову прикріпіть швидкороз'ємне з'єднання промивного отвору, доки не почуєте чітке клацання після сильного натискання. Якщо це не спрацює, зателефонуйте в службу підтримки клієнтів EGO.</li> </ul>
Якщо штовхати косарку вручну, не запускаючи її, чути ненормальний звук.	<ul style="list-style-type: none"> <li>Магніти всередині приводного двигуна видають звуки.</li> </ul>	<ul style="list-style-type: none"> <li>Це нормально, нічого не потрібно робити.</li> </ul>
Кермове колесо не повертається.	<ul style="list-style-type: none"> <li>Кермове колесо в зборі засмічено.</li> </ul>	<ul style="list-style-type: none"> <li>Перевірте і видаліть сміття.</li> </ul>
Косарка не повертається ліворуч/праворуч під час повертання кермового колеса.	<ul style="list-style-type: none"> <li>Вихід з ладу електронних або механічних компонентів.</li> </ul>	<ul style="list-style-type: none"> <li>Зателефонуйте в Центр обслуговування клієнтів EGO щодо ремонту.</li> </ul>

НЕСПРАВНІСТЬ	ПРИЧИНА	ВИРІШЕННЯ
Косарка не зупиняється під час відпускання педалі акселератора.	<ul style="list-style-type: none"> <li>■ Повернення педалі акселератора перешкоджається засміченням.</li> </ul>	<ul style="list-style-type: none"> <li>■ Перевірте і видаліть сміття.</li> </ul>
	<ul style="list-style-type: none"> <li>■ Кнопку CCS неавтоматично натиснуто під час руху. Косарка перебуває в режимі круїз-контролю</li> </ul>	<ul style="list-style-type: none"> <li>■ Перевірте, чи значок CCS світиться на РК-екрані, і за потреби вийдіть із режиму CCS. Зверніться до розділу «<b>ВИКОРИСТАННЯ КРУІЗ-КОНТРОЛЮ (CCS)</b>»</li> </ul>
Функція CCS не вмикається або не вимикається.	<ul style="list-style-type: none"> <li>■ Кнопка CCS не натиснута належним чином.</li> </ul>	<ul style="list-style-type: none"> <li>■ Натискайте кнопку CCS, доки піктограма CCS не засвітиться на РК-екрані або не зникне з РК-екрана.</li> </ul>
Косарка не може рухатися заднім ходом, якщо потягнути лівий/правий важіль до оператора.	<ul style="list-style-type: none"> <li>■ Індикатор стану косарки не відображається зеленим кольором, і косарка не готова до руху.</li> </ul>	<ul style="list-style-type: none"> <li>■ Виконуйте вказівки в розділі «ЗАПУСК КОСАРКИ», щоб індикатор стану газонокосарки став зеленим і газонокосарка була готова до роботи.</li> </ul>
	<ul style="list-style-type: none"> <li>■ Оператор не потягнув на себе лівий/правий важелі належним чином.</li> </ul>	<ul style="list-style-type: none"> <li>■ Потягніть лівий чи правий важіль або обидва одночасно до себе, доки не почуєте клацання.</li> </ul>
	<ul style="list-style-type: none"> <li>■ Лівий/правий важелі не тримаються на місці після того, як оператор потягне їх на себе.</li> </ul>	<ul style="list-style-type: none"> <li>■ Щоб рухатися назад, принаймні один із важелів має бути притягнутий до оператора.</li> </ul>
	<ul style="list-style-type: none"> <li>■ Лівий/правий важіль(і) зламані.</li> </ul>	<ul style="list-style-type: none"> <li>■ Зверніться до кваліфікованого фахівця з обслуговування для ремонту.</li> </ul>

## КОДИ СТАНУ ТА НЕСПРАВНОСТЕЙ КОСАРКИ

РК-екран	Опис	Код несправності на РК-дисплеї	Індикатор стану косарки	Звуковий сигнал	Причина	Вирішення
	Значок світлодіодних вогнів відображається на РК-екрані.	н/з	ВИМКНЕНИЙ	Ні	Вмикання фар, габаритних вогнів і задніх ліхтарів здійснюється за допомогою перемикача світлодіодного освітлення.	Це нормальна робота. Жодних дій не потрібно.
	Значок USB відображається на РК-екрані.	н/з	ВИМКНЕНИЙ	Ні	Значок USB показує, що пристрій USB може працювати після правильного запуску газонокосарки.	Це нормальна робота. Жодних дій не потрібно.
	Значок датчика палива відображається на РК-екрані.	н/з	ВИМКНЕНИЙ	Ні	Показує середню ємність заряду вставлених акумуляторів.	Це нормальна робота. Жодних дій не потрібно.
	Значок лічильника годин відображається на РК-екрані.	н/з	ВИМКНЕНИЙ	Ні	Показує загальний час руху косарки в годинах і не може бути скинутий.	Це нормальна робота. Жодних дій не потрібно.
	Значок індикатора навантаження відображається в діапазоні ECO.	н/з	ВИМКНЕНИЙ	Ні	Показує поточне навантаження косарки.	Це нормальна робота. Жодних дій не потрібно.
	Значок заднього ходу відображається на РК-екрані.	н/з	ВИМКНЕНИЙ	Ні	Показує, що косарка рухається назад.	Це нормальна робота. Жодних дій не потрібно.
	Значок запобіжного ключа блимає.	н/з	ВИМКНЕНИЙ	Ні	Запобіжний ключ не вставлено.	Вставте ключ безпеки, потім натисніть і утримуйте кнопку «ПУСК/СТОП», щоб увімкнути газонокосарку.
					Блок панелі керування зламаний.	Доручить ремонт кваліфікованому фахівцю з технічного обслуговування.

UK

РК-екран	Опис	Код несправності на РК-дисплеї	Індикатор стану косарки	Звуковий сигнал	Причина	Вирішення
	Значок певного батарейного відсіку блимає.	н/з	ВИМКНЕНИЙ	Ні	Певний акумулятор під час розрядження перевантажений по струму.	Жодних дій не потрібно. Газонокосарка може продовжувати працювати, якщо сумарна ємність акумуляторів, виключаючи перевантажену по струму акумуляторну батарею, відповідає вимогам. Щойно перевантажена по струму батарея повернеться в нормальний стан, вона негайно підключиться до живлення газонокосарки, і значок зникне.
	Значок порожнього батарейного відсіку блимає	н/з	ВИМКНЕНИЙ	Ні	Ємності акумулятора недостатньо для роботи косарки.	Щоб запустити газонокосарку, використовуйте достатню кількість акумуляторів EGO, дотримуючись інструкцій у розділі «УСТАНОВЛЕННЯ І ВИДАЛЕННЯ АКУМУЛЯТОРА» цього посібника.
	Індикатор перевантаження блимає	н/з	Блимає червоним	Один звуковий сигнал	Мотор лез перевантажено.	Збільште висоту різання деки або зменште швидкість руху, щоб знизити навантаження на косарку.
					Бічний випускний жолоб забивається травою і сміттям.	Очищайте боковий випускний жолоб після кожного використання.
					Є перешкода між лезом і декою косарки.	Зверніться до клієнтського сервісного центру EGO

РК-екран	Опис	Код несправності на РК-дисплеї	Індикатор стану косарки	Звуковий сигнал	Причина	Вирішення
	Значок температури блимає.	н/з	ВИМКНЕНИЙ	Один звуковий сигнал	Косарка перегрілася.	Зменште навантаження на косарку, збільшивши висоту різання деки або знизивши швидкість лез/руху. Зробіть перерву і дайте косарці охолонути.
					Косарка занадто холодна.	Не робіть повторних спроб, оскільки це може призвести до пошкодження машини. Завжди зберігайте косарку та акумулятори в теплому місці. Перезапустіть газонокосарку, коли вона прогріється.
	Значок температури і зайнятого батарейного відсіку блимають одночасно.	н/з	ВИМКНЕНИЙ	Ні	Акумуляторна батарея у відповідному батарейному відсіку перегріта.	1. Газонокосарка може продовжувати працювати, якщо сумарна ємність акумуляторів, виключаючи перегріту акумуляторну батарею, відповідає вимогам. Щойно перегріта батарея повернеться до нормальної температури, вона негайно ввімкне живлення газонокосарки.
						2. Якщо сумарна ємність акумуляторів недостатня, газонокосарка не працюватиме, доки у вільні акумуляторні відсіки не буде вставлено більше акумуляторних батарей.
						3. Зменште навантаження на косарку, збільшивши висоту стрижання деки або знизивши швидкість косіння під час поновлення роботи.

РК-екран	Опис	Код несправності на РК-дисплеї	Індикатор стану косарки	Звуковий сигнал	Причина	Вирішення
	Значки кожного зайнятого акумуляторного відсіку, індикатор низького заряду та індикатор рівня палива блимають одночасно на РК-екрані щосекунди. Також блимає перший світлодіодний індикатор рівня палива і стану косарки.	н/з	Блимає червоним	Подає звуковий сигнал, доки перемикач вала відбору потужності не буде натиснуто вниз.	Акумулятори розряджені, і косарка перебуває в аварійному режимі.	Припиніть роботу та поверніться в зону заряджання акумулятора. <b>ПРИМІТКА.</b> Коли косарка перебуває в аварійному режимі, ножі автоматично перемикаються на низьку швидкість обертання, і при цьому звуковий індикатор продовжуватиме видавати звуковий сигнал. Оператор повинен натиснути перемикач вала відбору потужності вниз, щоб вимкнути мотори лез. Звуковий індикатор перестане подавати звуковий сигнал після зупинки лез.
	Значок кожного зайнятого батарейного відсіку та індикатор низького заряду блимають кожні півсекунди, перший світлодіод покажчика рівня палива також блиматиме червоним кожні півсекунди.	н/з	Блимає червоним	Продовжує видавати звуковий сигнал	Акумулятори майже розряджені.	Косарка негайно перестане працювати. Оператор повинен доставити газонокосарку в зону заряджання акумулятора, щоб зарядити її.
	На РК-екрані блимає значок автоматичного паркування.	н/з	ВИМКНЕНИЙ	Продовжує видавати звуковий сигнал	Косарка припаркована на схилі, оператор залишає косарку, не встановивши педаль гальма стоянки в положення гальмування.	Установіть педаль гальма в положення гальмування. Значок автоматичного паркування згасне, а звуковий індикатор перестане подавати звукові сигнали.
	Значок педалі гальма відображається на РК-екрані	н/з	ВИМКНЕНИЙ	Ні	Педаль гальма стоянки встановлена в положення гальмування.	Відпустіть її перед запуском косарки.

**ПРИМІТКА.** Якщо на РК-екрані з'являється код несправності, вийміть усі акумуляторні батареї та знову вставте їх через кілька хвилин. Якщо це не вирішить проблему, виконайте наведені нижче інструкції з усунення несправностей для відповідного коду несправності.

РК-екран	Опис	Код несправності на РК-дисплеї	Індикатор стану косарки	Звуковий сигнал	Причина	Вирішення
	Значок датчика сидіння відображається на РК-екрані	н/з	ВИМКНЕНИЙ	Ні	Оператор залишає сидіння, або відключається система захисного блокування сидіння.	Якщо оператор сидить на сидінні і значок горить, негайно припиніть роботу з косаркою та перевірте з'єднання сидіння. Якщо підтверджено, що з'єднання сидіння з косаркою правильне, зверніться до кваліфікованого фахівця з технічного обслуговування.
	Значок перемикача вала відбору потужності блимає	н/з	ВИМКНЕНИЙ	Ні	Робота мотора лез була перервана, і перемикач вала відбору потужності не встановлено в положення «вимкнено».	Перед перезапуском газонокосарки натисніть перемикач вала відбору потужності вниз, щоб вимкнути мотори лез. Для довідки див. розділ «УСУНЕННЯ НЕСПРАВНОСТЕЙ» цього посібника.
	Значок відновлення енергії іноді блимає.	н/з	ВИМКНЕНИЙ	Ні	Кінетична енергія, що генерується під час гальмування або руху під ухил, перетворюється в електрику для заряджання акумуляторних батарей.	Це нормальна робота. Жодних дій не потрібно.

UK



РК-екран	Опис	Код несправності на РК-дисплеї	Індикатор стану косарки	Звуковий сигнал	Причина	Вирішення	
	Значок CCS блимає.	н/з	ВИМКНЕНИЙ	Ні	Функція CCS (система круїз-контролю) вийшла з ладу.	Функцію CCS не можна встановити, коли косарка рухається на дуже низькій швидкості або їде заднім ходом.	
Див. «Коди несправностей»	Лівий приводний мотор виходить із ладу під час обертання.	Несправний лівий приводний двигун, керований РСВА.	413	ВИМКНЕНИЙ	Один звуковий сигнал	Збій РСВА	Доручіть ремонт кваліфікованому фахівцю з технічного обслуговування.
		Штекер (трифазний, силовий провід), що з'єднує лівий приводний двигун із відповідною друкованою платою, ослаблений.	317	ВИМКНЕНИЙ	Один звуковий сигнал	Слабке з'єднання	
		Ослаблений штекер (шість контактів, сигнальний провід), що з'єднує лівий приводний двигун із відповідною друкованою платою.	301	ВИМКНЕНИЙ	Один звуковий сигнал	Слабке з'єднання	
		Лівий приводний мотор несправний.	317	ВИМКНЕНИЙ	Один звуковий сигнал	Поломка двигуна	

РК-екран	Опис		Код несправності на РК-дисплеї	Індикатор стану косарки	Звуковий сигнал	Причина	Вирішення
Див. «Коди несправностей»	Правий приводний мотор виходить із ладу під час обертання.	Несправний правий приводний двигун, керований РСВА.	313	ВИМКНЕНИЙ	Один звуковий сигнал	Збій РСВА	Доручить ремонт кваліфікованому фахівцю з технічного обслуговування.
		Штекер (трифазний, силовий провід), що з'єднує правий приводний двигун із відповідною друкованою платою, ослаблений.	417	ВИМКНЕНИЙ	Один звуковий сигнал	Слабке з'єднання	
		Ослаблений штекер (шість контактів, сигнальний провід), що з'єднує правий приводний двигун із відповідною друкованою платою.	401	ВИМКНЕНИЙ	Один звуковий сигнал	Слабке з'єднання	
		Правий приводний мотор несправний.	417	ВИМКНЕНИЙ	Один звуковий сигнал	Поломка двигуна	

UK

РК-екран	Опис		Код несправності на РК-дисплеї	Індикатор стану косарки	Звуковий сигнал	Причина	Вирішення
Див. «Коди несправностей»	Лівий мотор лез виходить із ладу під час обертання	Несправний лівий мотор лез, керований РСВА.	607	н/з	Один звуковий сигнал	Збій РСВА	Доручіть ремонт кваліфікованому фахівцю з технічного обслуговування.
		Штекер (трифазний, силовий провід), що з'єднує лівий мотор лез із відповідною друкованою платою, ослаблений.	509	н/з	Один звуковий сигнал	Слабке з'єднання	Спочатку огляньте лезо. Якщо він ослаблений, затягніть болт із рекомендованим моментом затягування. В іншому разі зверніться до кваліфікованого фахівця з технічного обслуговування.
		Лівий мотор лез виходить із ладу	509	н/з	Один звуковий сигнал	Поломка двигуна	
Див. «Коди несправностей»	Правий мотор лез виходить із ладу під час обертання	Несправний правий мотор лез, керований РСВА	507	н/з	Один звуковий сигнал	Збій РСВА	Доручіть ремонт кваліфікованому фахівцю з технічного обслуговування.
		Штекер (трифазний, силовий провід), що з'єднує правий мотор лез із відповідною друкованою платою, ослаблений.	609	н/з	Один звуковий сигнал	Слабке з'єднання	Спочатку огляньте лезо. Якщо він ослаблений, затягніть болт із рекомендованим моментом затягування. В іншому разі зверніться до кваліфікованого фахівця з технічного обслуговування.
		Правий мотор лез виходить із ладу	609	н/з	Один звуковий сигнал	Поломка двигуна	

РК-екран	Опис	Код несправності на РК-дисплеї	Індикатор стану косарки	Звуковий сигнал	Причина	Вирішення
Див. «Коди несправностей»	Педаля акселератора виходить із ладу	311/ 411	ВИМКНЕНИЙ	Один звуковий сигнал	Збій РСВА	Доручить ремонт кваліфікованому фахівцю з технічного обслуговування.
		307/ 407			Слабке з'єднання	
Див. «Коди несправностей»	Кермове колесо виходить із ладу	312/ 412	ВИМКНЕНИЙ	Один звуковий сигнал	Збій РСВА	Доручить ремонт кваліфікованому фахівцю з технічного обслуговування.
					Слабке з'єднання	
Див. «Коди несправностей»	Гальмо стоянки виходить із ладу, косарка не може їздити.	РСВА стоянкового гальма, яка розташована в передній частині рами, зламана.	309/ 409	ВИМКНЕНИЙ	Один звуковий сигнал	Збій РСВА
		Вимикач і/або провід гальма стоянки зламаний/ обірваний.				
ВИМКНЕНИЙ	Несправність зарядного порту	н/з	Світиться ЧЕРВОНИМ	н/з	Зарядний порт перебуває в розімкнутому колі.	Доручить ремонт кваліфікованому фахівцю з технічного обслуговування.
		н/з	Світиться ЧЕРВОНИМ	н/з	Немає живлення.	Перевірте розетку, чи є в ній напруга 220–240 В і чи розетка справна.
		н/з	Світиться ЧЕРВОНИМ	н/з	Перегорів запобіжник.	Доручить ремонт кваліфікованому фахівцю з технічного обслуговування.

РК-екран	Опис	Код несправності на РК-дисплеї	Індикатор стану косарки	Звуковий сигнал	Причина	Вирішення
Див. «Коди несправностей»	Несправність зарядного порту	204	н/з	Один звуковий сигнал	Зарядний порт перебуває в розімкненому колі.	Доручіть ремонт кваліфікованому фахівцю з технічного обслуговування.
Див. «Коди несправностей»	Блок батарейного відсіку не працює.	217	н/з	Один звуковий сигнал	Зламаний блок живлення від акумуляторного відсіку. Світлодіодні фари та USB не працюватимуть.	Доручіть ремонт кваліфікованому фахівцю з технічного обслуговування.
		310/ 410	ВИМКНЕНИЙ	Один звуковий сигнал	Не працює з'єднання між проводами Type C блока акумуляторного відсіку та іншими проводами Type C газокосарки.	
		201/ 202/ 203	ВИМКНЕНИЙ	Один звуковий сигнал	BMS блока акумуляторного відсіку зламана.	
Див. «Коди несправностей»	Несправність перемикача «Пуск/Стоп»	314/ 414	ВИМКНЕНИЙ	Один звуковий сигнал	Несправність РСВА перемикача або погане з'єднання перемикача «Пуск/Стоп».	Доручіть ремонт кваліфікованому фахівцю з технічного обслуговування.
Див. «Коди несправностей»	Несправність РК-екрана	315/ 415	ВИМКНЕНИЙ	Один звуковий сигнал	Збірка РК-дисплея зламана або погане з'єднання проводів збірки РК-дисплея.	Доручіть ремонт кваліфікованому фахівцю з технічного обслуговування.

**UK**

## ГАРАНТІЯ

### ПРАВИЛА ГАРАНТІЇ EGO

Відвідайте веб-сайт [egopowerplus.com](http://egopowerplus.com) для отримання повного тексту умов гарантійної політики EGO.

## ПРОЧЕТЕТЕ ВСИЧКИ ИНСТРУКЦИИ!



ПРОЧЕТЕТЕ РЪКОВОДСТВОТО НА ОПЕРАТОРА

## СИМВОЛ ЗА БЕЗОПАСНОСТ

Целта на символите за безопасност е да привличат вниманието към възможни опасности. Символите за безопасност и обясненията към тях заслужават вашето повишено внимание и осъзнаване. Символите за безопасност сами по себе си не елиминират каквато и да е опасност. Инструкциите и предупрежденията, които предоставят не са заместители за подходящите мерки за предотвратяване на инцидент.

**▲ ПРЕДУПРЕЖДЕНИЕ:** Уверете се, че сте прочели и осъзнали всички инструкции за безопасност в това Ръководство на оператора, включително всички известяващи символи за безопасност, като “ОПАСНОСТ”, “ПРЕДУПРЕЖДЕНИЕ” и “ВНИМАНИЕ” преди да използвате този инструмент. Неспазването на всички инструкции изброени долу може да доведе до електрически удар, пожар и/или сериозно нараняване.

## ЗНАЧЕНИЕ НА СИМВОЛИТЕ

Тази страница изобразява и описва символите за безопасност, които може да се появят по този продукт. Прочетете, осъзнайте и следвайте всички инструкции по машината преди предприемане на сглобяване и работа.

## СИМВОЛИ ЗА БЕЗОПАСНОСТ



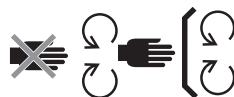
Сигнал за безопасност



Прочетете и разберете ръководството на оператора



Защита за очите



Поддържайте устройствата за безопасност



ОПАСНОСТ - заплаха от стръмен наклон



ОПАСНОСТ - дръжте околните хора надалеч от ножовете



Никога не превозвайте деца



Гледайте назад при заден ход

BG



ПРЕДУПРЕЖДЕНИЕ - Не използвайте тази машина върху наклони, по-големи от 12°



ОПАСНОСТ - изхвърлени предмети



ПРЕДУПРЕЖДЕНИЕ - ДРЪЖТЕ РЪЦЕТЕ И КРАКАТА СИ ДАЛЕЧ



Гарантирано ниво на мощност на звука. Съгласно директивата на Европейската общност.



Не стъпвайте



Отпадъчните електрически продукти не трябва да бъдат изхвърляни заедно с домакинския отпадък. Отнесете го до упълномощено място за рециклиране.



Този продукт е в съответствие с приложимите директиви на ЕС



ВНИМАНИЕ - Не гледайте работната лампа.



Постоянен ток



Този продукт е в съответствие с приложимото законодателство на Великобритания.

kPa

Килопаскал

ОБ/МИН

Обороти в минута

V

Волт

m

Метри

инч

Инч

cm

Сантиметри

Nm

Нютон метър

mm

Милиметри

°C

Целзий

kg

Килограм

км/ч

Километра в час

IPX4

Степен на защита от навлизане на вода

## СИМВОЛИ ЗА БЕЗОПАСНОСТ



Информацията трябва да се отбележи



Посоченото действие спира

## СПЕЦИФИКАЦИИ

Напрежение	56 V	
Размер на платформата	107 cm	
Размер на колелата	Предни	279,4 x 101,6 – 127 mm
	Задни	457,2 x 241,3 – 203.2 mm
Налягане при студени гуми	Предни	222,1 kPa
	Задни	110,3 kPa
Радиус на завиване	0	

Скорост на ножа (ОБ/МИН)		2400; 2600; 2800; 3000
Максимална скорост на движение	Напред	4,8 км/ч, 8.1 км/ч, 9,7 км/ч, 11,3 км/ч (12,8 км/ч в режим на пътуване)
	Назад	до 5,6 км/ч

BG

Зареждане	Зарядно устройство (опционално)	CHV1600E
	Адаптер (опционален)	ACA1000
	Диапазон на температурата на зареждане	5°C - 40°C
Регулиране височината на рязане (10 позиции)		25 – 100 mm
Работна температура		0°C- 40°C
Температура на съхранение		-20°C - 70°C
Тегло (без акумулаторна батерия)		196 кг
Измерено ниво на сила на звука $L_{WA}$		96,44 dB(A) K=0,68 dB(A)
Ниво на звуково налягане при ухото на оператора $L_{PA}$		84,3 dB(A) K=3,0 dB(A)
Гарантирано ниво на сила на звука $L_{WA}$ (измерено съгласно 2000/14/EC)		100 dB(A)
Вибрации $a_n$	Ръка	1,221 м/сек <sup>2</sup> K=1,5 м/сек <sup>2</sup>
	Тяло	0,568 м/сек <sup>2</sup> K=1,5 м/сек <sup>2</sup>

- Декларираният общ размер на вибрации е измерен в съответствие със стандартния метод за тест и може да бъде използван за сравнение между два инструмента;
- Декларираният общ размер на вибрации може също така да бъде използван за предварителна оценка на влиянието.

**БЕЛЕЖКА:** Вибрационните емисии по време на действителната употреба на електрическия инструмент може да се различава от декларираната стойност. С цел да се защити оператора, потребителят трябва да носи ръкавици и антифони в действителни условия на работа.

## ПРЕПОРЪЧИТЕЛНИ АКСЕСОАРИ

**⚠ ПРЕДУПРЕЖДЕНИЕ:** Използвайте само идентични резервни части посочени по-долу. Употребата на части, които не съответстват със спецификациите на стандартното оборудване, могат да доведат до неправилна работа и компрометирана безопасност.

ИМЕ НА ЧАСТ	НОМЕР НА МОДЕЛ
Стандартен нож	AB4200
Нож с високо повдигане	AB4201
Пробка за торене	AMP4200
Торба за трева комплект	ABK4200-A
Задна броня	AMB1000
Товарна кутия	AMG1000
Сенник	AMS1000

## ОПИСАНИЕ

### ЗАПОЗНАЙТЕ СЕ С КОСАЧКАТА (Фиг. А1)

1. Седалка
2. Порт за зареждане
3. Силов агрегат
4. LED задна светлина
5. Отделение за съхранение
6. LED странични светлини
7. Задно колело (задвижващо колело)
8. Отвор за измиване
9. Платформа
10. Протектор на платформата
11. Анти-скалп колело
12. Предно колело
13. Педал на спиращката за паркиране
14. Дневни светлини
15. LED фарове



16. Педал за газта
  17. Зона за поставяне на краката
  18. Страничен отвеждащ улей
  19. Лост за регулиране височината на платформата
  20. Бутон за регулиране на окачването на седалката
  21. Волан
  22. Дясна странична кутия
  23. Лост за регулиране на позицията на седалката
  24. Превключвател на вала за отвеждане на мощност
  25. Старт/стоп бутон
  26. Ключ за безопасност
  27. Слот за съхранение на телефон
  28. Държачи на чаши
  29. Ляво гребло
  30. Индикатор на статуса на косачката
  31. LCD екран
  32. Дясно гребло
  33. Бутон за регулиране на скоростта на ножа
  34. CCS бутон
  35. Бутон за режим на движение
  36. Превключвател на LED светлината
  37. Бутон за регулиране на скоростта на движение
  38. Бутон за освобождаване на капака на задвижването
  39. Капак на задвижването
  40. Захранващ блок с шест отделения за батерии
  41. Бутон за освобождаване на батерията
  42. Теглич
  43. Капак за монтиране на приставка
  44. USB порт
1. Икона Назад
  2. Икона CCS
  3. Икона на ключа за безопасност
  4. Икона на LED светлините
  5. Икона на автоматичното паркиране
  6. Икона на USB
  7. Индикатор на скоростта на ножа
  8. Индикатор на статуса на предпазното устройство
  9. Часомер
  10. Икона за празно отделение за батерия
  11. Икона за температура
  12. Икона за заето отделение за батерия
  13. Режим на движение
  14. Индикатор за код за грешка
  15. Индикатор за претоварване
  16. Индикатор за ниска мощност
  17. Измервателен уред за горивото
  18. Индикатор на натоварването
  19. Индикатор на скоростта на движение

## ЗАПОЗНАВАНЕ С LCD ЕКРАНА (Фиг. А2)

Вижте раздела “СТАТУС НА КОСАЧКАТА РЕФЕРЕНТНИ КОДОВЕ И КОДОВЕ ЗА НЕИЗПРАВНОСТ” за повече информация относно иконите и индикаторите на LCD екрана.

## РАЗОПАКОВАНЕ

**БЕЛЕЖКА:** Запазете опаковъчните материали, докато не сте инспектирали внимателно и не работите задоволително с продукта. Ако някои части в опаковъчния лист са сглобени към машината, моля незабавно се свържете със сервиз на EGO.

**БЕЛЕЖКА:** С изключение на инструментите в опаковъчния лист, всички други инструменти посочени в ръководството са само препоръчителни, но не са предоставени.

**БЕЛЕЖКА:** Не отстранявайте блока от пяна под волана, преди воланът да е правилно монтиран. Вибрацията по време на движение може да причини повреда на волана.

BG

## ОПАКОВЪЧЕН ЛИСТ (ФИГ. В)

В-1	Трактор-косачка с нулев завой	В-2	Седалка
В-3	Пробка за торене	В-4	Винтове с глава за ключ (2 за поддръжка)
В-5	Ключ за вътрешен шестостен	В-6	Вътрешен гаечен ключ
В-7	Гаечен ключ с отворен край	В-8	Ключове за безопасност
В-9	Бърз съединител на отвора за измиване	В-10	Ръководства за оператора

## МОНТАЖ

### ИНСТАЛИРАНЕ НА СЕДАЛКАТА (Фиг. С1 - С4)

**▲ ПРЕДУПРЕЖДЕНИЕ:** Системата за предпазно блокиране не трябва да бъде изключвана или шунтирана. Ако направите това, косачката може да се задейства неочаквано и да причини нараняване на хора.

**БЕЛЕЖКА:** За Вашата безопасност косачката може да спре да се движи, когато превключвателят на седалката се изключи по време на движение. В този случай вижте раздел **“ОТСТРАНЯВАНЕ НА ПРОБЛЕМИ”** за повече информация.

С1-1	Контакт	С1-2	Щепсел
С1-3	Кабел	С2-1	Рамо за седалка
С2-2	Основа за окачване	С2-3	Ключ за вътрешен шестостен
С2-4	Винтове с глава за ключ	С2-5	Лост за регулиране на позицията на седалката
С3-1	Стоманени релси	С3-2	Ключ за вътрешен шестостен

С3-3	Винтове с глава за ключ	С4-1	Кука
------	-------------------------	------	------

### МОНТИРАНЕ НА ВОЛАНА (Фиг. С5 – С6)

С5-1	Заклучващ болт	С5-2	Греда
С6-1	Блок за локализиране	С6-2	Прорез
С6-3	Протектор на волана		

### ЗАКРЕПВАНЕ НА ПРОБКАТА ЗА ТОРЕНЕ (Фиг. С7)

С7-1	Страничен отвеждащ улей	С7-2	Пробка за торене
С7-3	Подвижна пружина		

## ADJUSTMENT

### ПРЕДИ РЕГУЛИРАНЕ (Фиг. D1)

### РЕГУЛИРАНЕ НА ВИСОЧИНАТА НА ПЛАТФОРМАТА ЗА КОСЕНЕ (Фиг. D2)

### РЕГУЛИРАНЕ НА АНТИ-СКАЛП КОЛЕЛАТА (Фиг. D3 – D6)

D3-1	Анти-скалп колело	D5-1	Гайка
D5-2	Болт с халка	D6-1	Стикер за височината на платформата

### РЕГУЛИРАНЕ НА СЕДАЛКАТА (Фиг. D7)

D7-1	Лост за регулиране на позицията на седалката	D7-2	Бутон за регулиране на окачването на седалката
------	--	------	--

### РЕГУЛИРАНЕ НА ВОЛАНА (Фиг. D8)

D8-1	Заклучващ болт	D8-2	Греда
------	----------------	------	-------

D8-3	Блок за локализиране	D8-4	Прорез
------	----------------------	------	--------

## ЕКСПЛОАТАЦИЯ

### ПРЕДИ РАБОТА (Фиг. E1)

### НАСТРОЙКА НА СПИРАЧКАТА ЗА ПАРКИРАНЕ (Фиг. E2)

E2-1	Освободена позиция	E2-2	Спирачна позиция
------	--------------------	------	------------------

**БЕЛЕЖКА:** Никога не натискайте педала на спирачката за паркиране, за да намалите скоростта. След като педалът на спирачката за паркиране е натиснат достатъчно, но не и до пълното положение за паркиране, косачката ще спре да се движи по равна повърхност, но ако това се случи на наклон, косачката може да се плъзне надолу по склона.

### ПОСТАВЯНЕ/ИЗВАЖДАНЕ НА АКУМУЛАТОРНАТА БАТЕРИЯ (Фиг. E3 - E6)

За да стартирате тази косачка, са необходими батерии EGO от общо 15 Ah (2 X BA4200T/BA4200T) или повече. За най-добра ефективност ние препоръчваме употребата на батерии EGO от общо 30 Ah или повече.

E3-1	Бутон за освобождаване на капака	E5-1	Бутон за освобождаване на батерията
------	----------------------------------	------	-------------------------------------

### ЗАРЕЖДАНЕ НА КОСАЧКАТА

Използвайте единствено препоръчаните акумулаторни батерии и зарядни устройства.

- Зареждайте акумулаторната(ите) батерия(и) отделно (Фиг. E7)

**БЕЛЕЖКА:** Обърнете се към съответните ръководства за батерии и зарядни устройства за подробни инструкции.

- Заредете батерията(ите) през порта за зареждане (Фиг. E8-E10)

E10-1	Капачка против прах	E10-2	Порт за зареждане
-------	---------------------	-------	-------------------

### ТЕСТВАНЕ НА СИСТЕМАТА ЗА ПРЕДПАЗНА БЛОКИРОВКА

- За да тествате системата на ножовата платформа (Фиг. E11 – E12)
- За да тествате системата за задвижване (Фиг. E13 – E14)

Ако системата платформа-нож и/или системата за задвижване не спрат, когато операторът е станал от седалката и ако причината не може да бъде определена след уверяване, че щепселът и контактът а седалката са добре свързани, свържете се със своя потребителски сервизен център на EGO незабавно.

### ПРОВЕРКА ПРЕДИ РАБОТА

- Освободете работната зона от деца, околни хора или домашни любимци.
- Изчистете работната зона от предмети, които могат да бъдат изхвърлени от ножовете на косачката.
- Почистете остатъците от косачката.
- Проверете за разхлабени крепежни елементи.
- Проверете дали всички предпазители са на мястото си и работят правилно.
- Визуално проверете дали гумите са на помпани.
- Проверете работата на спирачката.
- Регулирайте височината на платформата до желаната позиция на косене, която е най-подходяща за моравата, и съответно регулирайте колелата против скалп.
- Регулирайте позицията на седалката и се уверете, че и двата педала могат да бъдат достигнати.
- Регулирайте волана в желаната позиция, ако е необходимо.
- Проверете нивото на заряд на батерията.
- Тествайте системата за предпазна блокировка.

### ПУСКАНЕ НА КОСАЧКАТА (Фиг. E15 – Фиг. E16)

**▲ ПРЕДУПРЕЖДЕНИЕ:** Избягвайте внезапни стартирания, спирания и завои, както и прекомерна скорост, особено когато се учите да управлявате косачката. Косачката може да се завърти бързо, които може да причини загуба на управление и да доведе до сериозно нараняване и/или повреда.

**▲ ПРЕДУПРЕЖДЕНИЕ:** Преди да стартирате косачката, проверете и се уверете, че ножовете са изключени в рамките на 5 сек., когато натиснете превключвателя на вала за отвеждане на мощност надолу. Ако ножовете не спрат, не използвайте косачката и се свържете със своя потребителски сервиз на EGO незабавно.

**БЕЛЕЖКА:** Следвайте Фиг. E17 и Фиг. E18 за да постигнете най-ниската скорост на движение и СТАНДАРТЕН режим на движение, докато не сте напълно способни да управлявате косачката във всички ситуации.

Косачката ще запази и представи предишния режим на шофиране, скоростта на шофиране и калибрирането на волана при рестартиране.

## РЕГУЛИРАНЕ НА РЕЖИМА НА ДВИЖЕНИЕ (Фиг. E17)

- **CONTROL (КОНТРОЛЕН):** Ниско ускоряване по-малко чувствително боравене и ниска скорост при завой за защита на тревата и за нови потребители.
- **STANDARD (СТАНДАРТЕН):** Перфектен за всекидневна употреба.
- **SPORT (СПОРТЕН):** По-високо ускоряване, акуратно боравене и остро завиване за увеличаване на ефективността на косачката и ентузиазъма при косене.

**BG**

**БЕЛЕЖКА:** Режимът на движение не може да бъде регулиран по време на движение. Функцията ще се активира само, когато колелата на косачката са спрели.

## Регулиране на скоростта на движение (Фиг. E18)

**БЕЛЕЖКА:** Когато сте в режим „ТУРБО“, натиснете „-“, скоростта на движение ще се върне към предишния режим.

## Регулиране на скоростта на ножа (Фиг. E19)

### LED светлини

- Фаровете, страничните светлини и задните светлини се управляват от превключвателя на LED светлините.
- Работните светлини винаги продължават да светят по време на движение.
- При движение назад, ако задните светлини са изключени, те ще премигнат, за да предупредят околните хора; ако задните светлини са включени, те ще останат включени.
- Всички светлини ще се изключат автоматично, когато косачката се изключи автоматично след определен период без работа.

### USB порт

**БЕЛЕЖКА:** USB портът осигурява зарядна мощност от 5 V постоянен ток при комбиниран ток от 1,5 A и работи само, когато косачката е стартирана

## СПИРАНЕ НА КОСАЧКАТА (Фиг. E20)

**БЕЛЕЖКА:** След повече от 60 минути без работа косачката ще се изключи автоматично.

### Режим на аварийно прибиране

Когато зарядът на батерията стане критично нисък, косачката ще премине в режим аварийно прибиране, за да запази достатъчно енергия за пътуване обратно до зоната за зареждане.

- Ножовете се превключват на ниска скорост на въртене, която може да коси само много малко количество трева. При среща с висока и гъста трева, ножовете ще спрат да се въртят. Аудио индикаторът ще звучи (бипка) периодично.
- Индикаторът за състоянието на косачката ще мига червено всяка секунда, както индикаторът за ниска мощност, така и графиката на батерията на индикатора за гориво ще мигат.

Операторът трябва:

- Натиснете превключвателя на WOM надолу, за да изключите двигателите на ножовете. Аудио индикаторът ще спре да звучи, когато двигателите на ножовете спрат.

- Спрете да работите и се придвижете до зоната за зареждане възможно най-скоро. Максималното разстояние, което косачката може да измине е 1000 м.

Когато батерията е почти изтощена, иконата на всяко заето отделение за батерия и индикаторът за ниска мощност ще мигат на всяка половин секунда. Косачката ще спре работа незабавно. Операторът ще трябва да транспортира косачката до зоната за зареждане за извършване на зареждане.

**БЕЛЕЖКА:** Ако е необходимо ръчно бутане, уверете се, че батериите са разкачени от косачката и педалът на спирачката за паркиране е освободен от позицията за паркиране.

## УПРАВЛЕНИЕ НА КОСАЧКАТА (Фиг. E21)

**▲ ОПАСНОСТ:** Бъдете поне на две ширини на косачката далеч от канали, откоси или вода. Предните колела могат да се завъртят, когато косачката спре, даже със задействана спирачка и да причинят косачката да премине ръба или да попадне във вода и да доведе до смърт или сериозно нараняване на хора.

**▲ ПРЕДУПРЕЖДЕНИЕ:** Проверете какво има зад косачката, преди да потеглите назад. НЕ косете в обратна посока, освен ако не е абсолютно необходимо. Винаги гледайте надолу и назад преди и по време на движение на заден ход, за да сте сигурни, че в зоната на косене няма деца, околни хора или домашни любимци. Запомнете, че невнимание за малка част от секундата е достатъчно, за да причини смърт или сериозно нараняване.

**▲ ПРЕДУПРЕЖДЕНИЕ:** Не управлявайте тази машина по обществени пътища.

**▲ ПРЕДУПРЕЖДЕНИЕ:** Ако възникне блокиране или ударите чужд предмет, спете двигателите и отстранете батериите. Отстранете изрезките от трева, листа, замърсявания и всички други насъбрали се отлагания; цялостно инспектирайте косачката за повреда и ремонтирайте повредата, преди да стартирате отново и управлявате косачката.

## ИЗПОЛЗВАНЕ НА КРУИЗ КОНТРОЛ (CCS)

**За да активирате круиз контрол по време на шофиране (Фиг. E22)**

**БЕЛЕЖКА:** Нивото на скоростта на движение, показано на LCD екрана, може да не отразява точно действителната скорост на движение на косачката при круиз контрол. Натиснете един от бутоните за регулиране на скоростта (“←” или “→”), за да “опресните” и регулирате нивото на скоростта на движение на LCD екрана.

**За да излезете от круиз контрол и да спрете косачката,** можете да изберете един от четирите начина:

- Натиснете леко педала на газта и след това го отпуснете.
- Издърпайте левия/десния лост към оператора и след това го освободете.
- Натиснете педала на спирачката за паркиране.
- Натиснете бутона за круиз контрол.

**БЕЛЕЖКА:** Натиснете педала на газта докрай, за да постигнете текущата скорост на движение на круиз контрол и продължете да го натискате. Функцията круиз контрол ще спре и косачката ще продължи да се движи с текущата скорост.

## ПОДДРЪЖКА

**▲ ПРЕДУПРЕЖДЕНИЕ:** Винаги носете защита за очите със странични предпазни екрани. Ако не го направите може да доведе до изхвърляне на предмети към очите ви водещо до сериозни наранявания.

**▲ ПРЕДУПРЕЖДЕНИЕ:** Винаги защитете ръцете си, чрез носене на тежки ръкавици или чрез обвиване на острите ръбове с парцали или други материали, когато извършвате поддръжка на ножа на косачката. Винаги изваждайте ключа за безопасност и акумулаторните батерии, когато обслужвате или транспортирате косачката.

Интервал за сервизна поддръжка	Процедура за поддръжка
Преди всяка употреба или ежедневно	<ul style="list-style-type: none"> <li>Проверка на системата за предпазна блокировка.</li> <li>Визуално проверете дали гумите са на помпани.</li> <li>Огледайте ножовете.</li> <li>Инспектирайте целия продукт за повредени, липсващи или разхлабени части, като улей за странично изпразване, винтове, гайки, болтове, капачки и др., като се уверите, че всички предпазители са на място и работят правилно.</li> <li>Проверете и се уверете, че педалът на газта може да бъде натиснат и отпуснат правилно.</li> <li>Проверете амортизатора на волана. Воланът трябва да се върти с определено съпротивление.</li> </ul>
След всяка употреба	<ul style="list-style-type: none"> <li>Почистете платформата на косачката.</li> </ul>
На всеки 25 часа	<ul style="list-style-type: none"> <li>Проверете налягането на гумите.</li> </ul>
На всеки 100 часа	<ul style="list-style-type: none"> <li>Проверете задните колела като се уверите, че всички фиксиращи гайки са затегнати до препоръчителния момент на затягане.</li> </ul>
На всеки 200 часа	<ul style="list-style-type: none"> <li>Проверете предните колела, като се уверите, че те се въртят свободно.</li> </ul>

**BG**

Преди съхранение	<ul style="list-style-type: none"> <li>Извадете акумулаторните батерии от косачката.</li> <li>Извадете предпазния ключ от косачката.</li> <li>Извършете всички процедури за поддръжка, изброени по-горе, и почистете старателно косачката.</li> <li>Проверете целия продукт за повредени, липсващи или разхлабени части, сменете или затегнете съответните преди съхранение.</li> </ul>
Ежегодно	<ul style="list-style-type: none"> <li>Проверете педала на спирачката за паркиране. Отстранете батерията на косачката и поставете педала на спирачката за паркиране в позиция за спиране. Ръчно бутайте косачката напред, за да видите дали косачката може да се движи, или не. Ако тя се движи, осигурете нейното обслужване от квалифициран сервизен техник.</li> </ul>

## ОБЩА ПОДДРЪЖКА

**Почистване на корпуса на косачката (Фиг. F1 - F2)**

**Използване на отвора за измиване за почистване на платформата на косачката (Фиг. F3 - F4)**

F2-1	Отвор за измиване	F2-2	Бърз съединител на отвора за измиване
F2-3	Градински маркуч		

**БЕЛЕЖКА:** Когато приключите с почистването, изключете напълно косачката и след това отстранете градинския маркуч и бързия съединител.

## ПОДДРЪЖКА НА ПЛАТФОРМАТА НА КОСАЧКАТА И РЕЖЕЩИТЕ НОЖОВЕ

**ПОДГОТОВКА (Фиг. G1)**

**Премахване на платформата на косачката (Фиг. G2 – G3)**



G2-1	Кабел на двигателя	G2-2	Лостове на окачването
G2-3	Шплинт		

**ИЗВЕСТИЕ:** Разкачете кабелите на двигателя и извадете шплинтовете, когато отстранявате платформата на косачката.

#### Замяна на режещите ножове (Фиг. G4 - G6)

G4-1	Стабилизатор	G5-1	Болт
G5-2	Шайба	G5-3	Нож
G5-4	Фланец	G5-5	Вал на мотора

#### Нивелиране на платформата на косачката

- Кога да се нивелира (Фиг. G7 – G9)
- Преди нивелиране
  - Проверка на налягането при студени думи (Фиг. G10)
  - Проверете режещите ножове. Снемете и заменете износени, напукани и/или огънати ножове, ако е необходимо.
- Подготовка за нивелиране (Фиг. G11)
- Как се нивелира
  - За да извършите регулировка на страна към страна (Фиг. G12)
  - За да извършите регулировка на предната страна към задната (Фиг. G13)

#### КАЛИБРИРАНЕ НА СИСТЕМАТА ЗА СЛЕДЕНЕ НА КОСАЧКАТА (Фиг. H1 – H2)

**БЕЛЕЖКА:** Звуковият индикатор ще прозвучи веднъж както при стартиране, така и при завършване на калибрирането.

**БЕЛЕЖКА:** Завършеното калибриране за един от режимите на движение („КОНТРОЛ“, „СТАНДАРТ“, „СПОРТ“) може да не е налично за другите два режима. Калибрирайте волана във всеки режим на движение независимо, ако е необходимо.

#### ВРЪЩАНЕ НА КОСАЧКАТА КЪМ ПЪРВОНАЧАЛНАТА ЗАВОДСКА НАСТРОЙКА (Фиг. I)

**БЕЛЕЖКА:** Звуковият индикатор ще прозвучи веднъж

както при стартиране, така и при завършване на връщането към заводската настройка.

**БЕЛЕЖКА:** Когато нулирането е успешно, настройките по-долу ще се върнат към първоначалните фабрични настройки:

- режим на движение
- скорост на шофиране
- калибриране на волана

## СЪХРАНЕНИЕ И ТРАНСПОРТ

### ТРАНСПОРТИРАНЕ НА КОСАЧКАТА (Фиг. J1 – J5)

**БЕЛЕЖКА:** Закрепете косачката според необходимостта, като използвате колани или въжета, за да предотвратите движение по време на транспортиране.

### СЪХРАНЕНИЕ (Фиг. K1 – K2)

**БЕЛЕЖКА:** Отстранете акумулаторните батерии и съхранете батериите съгласно съответните ръководства.

Почистете и проверете косачката преди съхранение като направите справка с разделите „ПОЧИСТВАНЕ НА КОСАЧКАТА“ и „ПРЕПОРЪЧИТЕЛНИ ГРАФИЦИ ЗА ПОДДРЪЖКА“.

#### Опазване на околната среда




WEEE (Отпадъчно електрическо и електронно оборудване) Не изхвърляйте електрическо оборудване, използвана батерия или зарядно устройство в домакинския отпадък! Отнесете продукта до упълномощена фирма за рециклиране и го предоставете за разделно събиране. Електрическите инструменти трябва да бъдат връщани в съоръжения за рециклиране съвместими с околната среда.

## ОТСТРАНЯВАНЕ НА ПРОБЛЕМИ

ПРОБЛЕМ	ПРИЧИНА	РЕШЕНИЕ
Тракторът-косачка с нулев завой не успява да задвижи, когато педалът на газта е натиснат.	<ul style="list-style-type: none"> <li>Комбинираната стойност на Ah на поставените акумулаторни батерии не отговаря на изискването.</li> </ul>	<ul style="list-style-type: none"> <li>За да стартирате тази косачка, използвайте достатъчно батерии EGO, следвайки инструкциите в раздел „<b>ПРИКРЕПВАНЕ/ОТДЕЛЯНЕ НА АКУМУЛАТОРНАТА БАТЕРИЯ</b>“ в това ръководство.</li> </ul>
	<ul style="list-style-type: none"> <li>Педалът на спирачката за паркиране е поставен в спирачна позиция.</li> </ul>	<ul style="list-style-type: none"> <li>Натиснете докрай педала на спирачката за паркиране, за да я освободите от спирачната позиция.</li> </ul>
	<ul style="list-style-type: none"> <li>Левият и десният лост не се изтеглят за кратко към оператора, за да накарат индикатора за състояние на косачката да свети в зелено при стартиране на косачката.</li> </ul>	<ul style="list-style-type: none"> <li>Издърпайте едновременно и ДВАТА ляв и десен лостове към оператора и след това ги освободете. Индикаторът за състояние на косачката ще свети в зелено, което означава, че косачката е готова за стартиране.</li> </ul>
	<ul style="list-style-type: none"> <li>Операторът не е седнал на седалката.</li> </ul>	<ul style="list-style-type: none"> <li>Само когато операторът е правилно седнал на седалката, той може да управлява косачката.</li> </ul>
	<ul style="list-style-type: none"> <li>Превключвателят на седалката не е свързан правилно.</li> </ul>	<ul style="list-style-type: none"> <li>Извадете батерията от косачката и разглобете седалката в обратния ред на инструкциите в раздел „<b>МОНТИРАНЕ НА СЕДАЛКАТА</b>“ в това ръководство, за да се уверите, че щепселът на кабела е правилно свързан към контакта на дъното на седалката. Сглобете отново седалката и следвайте инструкциите в „<b>СТАРТИРАНЕ НА КОСАЧКАТА</b>“, за да рестартирате косачката, за да видите дали косачката може да бъде стартирана. Ако не, свържете се с квалифициран сервизен техник за ремонт.</li> </ul>
	<ul style="list-style-type: none"> <li>При много студено време функцията движение може да не стартира успешно поради защитата срещу ниска температура.</li> </ul>	<ul style="list-style-type: none"> <li>Винаги съхранявайте косачката и батерията в топла среда. Рестартирайте косачката, когато тя е затоплена. Моля, не правете многократни опити при много студено време, което може да повреди машината.</li> </ul>
	<ul style="list-style-type: none"> <li>Пътят на движение на педала на газта е задръстен с отломки.</li> </ul>	<ul style="list-style-type: none"> <li>Проверете и отстранете отломките.</li> </ul>
	<ul style="list-style-type: none"> <li>Повреда на механични или електронни компоненти на педала на газта.</li> </ul>	<ul style="list-style-type: none"> <li>Свържете се с квалифициран сервизен техник за ремонт.</li> </ul>



ПРОБЛЕМ	ПРИЧИНА	РЕШЕНИЕ
Тракторът-косачка с нулев завой спира да се движи.	<ul style="list-style-type: none"> <li>Левият/десният лост изисква „нулиране“.</li> </ul>	<ul style="list-style-type: none"> <li>Издърпайте левия/десния лост към оператора и ги освободете. Косачката е готова за работа, когато индикаторът за състоянието свети в зелено.</li> </ul>
	<ul style="list-style-type: none"> <li>Повреда на електронни компоненти на педала на газта.</li> </ul>	<ul style="list-style-type: none"> <li>Свържете се с квалифициран сервизен техник за ремонт.</li> </ul>
	<ul style="list-style-type: none"> <li>Системата за блокиране на безопасността на седалката се разкачва по време на шофиране по неравен терен.</li> </ul>	<ul style="list-style-type: none"> <li>Извадете батерията от косачката и разглобете седалката в обратния ред на инструкциите в раздел „<b>МОНТИРАНЕ НА СЕДАЛКАТА</b>“ в това ръководство, за да се уверите, че щепселът на кабела е правилно свързан към контакта на дъното на седалката. Сглобете отново седалката и следвайте инструкциите в „<b>СТАРТИРАНЕ НА КОСАЧКАТА</b>“, за да рестартирате косачката, за да видите дали косачката може да бъде стартирана. Ако не, свържете се с квалифициран сервизен техник за ремонт.</li> </ul>
	<ul style="list-style-type: none"> <li>Теглото на оператора не е равномерно разпределено върху седалката. Теглото на оператора върху седалката трябва да бъде най-малко 20 кг, за да функционира правилно системата за блокиране на безопасността на седалката</li> </ul>	<ul style="list-style-type: none"> <li>Седнете правилно на седалката, дръпнете левия/десния или и двата лоста към оператора и ги освободете, тогава косачката е готова за движение.</li> <li>Разкачете и поставете отново акумулаторната батерия, ако е необходимо.</li> </ul>
	<ul style="list-style-type: none"> <li>Педалът на спирачката за паркиране се натиска, за да се намали скоростта на движение. След като педалът на спирачката за паркиране бъде натиснат достатъчно, но не до позиция за паркиране, косачката ще спре.</li> </ul>	<ul style="list-style-type: none"> <li>Следвайте инструкциите в „<b>СТАРТИРАНЕ НА КОСАЧКАТА</b>“, за да рестартирате косачката.</li> </ul>
Режимът на движение не може да бъде регулиран по време на движение.	<ul style="list-style-type: none"> <li>Това е функция на трактора-косачка с нулев завой за безопасно движение.</li> </ul>	<ul style="list-style-type: none"> <li>Функцията ще се активира само, когато колелата на косачката са спрели.</li> </ul>

ПРОБЛЕМ	ПРИЧИНА	РЕШЕНИЕ
<p>Тракторът-косачка с нулев завой не успява да стартира ножовете, когато превключвателят на ВОМ е активиран.</p>  <p>Иконата на превключвателя на вала за отвеждане на мощност мига</p>	<ul style="list-style-type: none"> <li>Кombинираната стойност на Ah на поставените акумулаторни батерии не отговаря на изискването.</li> </ul>	<ul style="list-style-type: none"> <li>За да стартирате тази косачка, използвайте достатъчно батерии EGO, следвайки инструкциите в раздел „ПРИКРЕПВАНЕ/ОТДЕЛЯНЕ НА АКУМУЛАТОРНАТА БАТЕРИЯ“ в това ръководство.</li> </ul>
	<ul style="list-style-type: none"> <li>Превключвателят на ВОМ не е бил натиснат надолу, когато косачката е била изключена последния път.</li> </ul>	<ul style="list-style-type: none"> <li>Натиснете превключвателя на ВОМ надолу и след това нагоре, за да рестартирате двигателите на ножовете.</li> </ul>
	<ul style="list-style-type: none"> <li>Косачката е претоварена в момента, в който ножовете започват да се въртят, задействайки самозащитата на двигателя.</li> </ul>	<ul style="list-style-type: none"> <li>Първо започнете косачката да коси трева с по-ниска скорост на ножовете и не ускорявайте скоростта на ножовете, докато те не се завъртят успешно.</li> </ul>
	<ul style="list-style-type: none"> <li>При много студено време моторът на ножа може да не стартира успешно поради защитата срещу ниска температура.</li> </ul>	<ul style="list-style-type: none"> <li>Винаги съхранявайте косачката и батерията в топла среда. Рестартирайте косачката, когато тя е затоплена. Моля, не правете многократни опити при много студено време, което може да повреди машината.</li> </ul>
	<ul style="list-style-type: none"> <li>Ножът взаимодейства с деформираната платформа на косачката</li> </ul>	<ul style="list-style-type: none"> <li>Обадете се на центъра за обслужване на клиенти на EGO.</li> </ul>
	<ul style="list-style-type: none"> <li>Косачката се движи със скорост „ПЪТУВАНЕ“.</li> </ul>	<ul style="list-style-type: none"> <li>Когато косачката се движи със скорост „ПЪТУВАНЕ“, двигателите на ножовете ще спрат автоматично.</li> </ul>

ПРОБЛЕМ	ПРИЧИНА	РЕШЕНИЕ
Ножовете спират работа по време на косене на трева.	<ul style="list-style-type: none"> <li>Косачката е претоварена.</li> </ul>	<ul style="list-style-type: none"> <li>Увеличете височината на рязане на платформата или забавете скоростта на движение, за да намалите натоварването на косачката.</li> </ul>
	<ul style="list-style-type: none"> <li>Платформата на косачката е запушена с трева и отпадъци.</li> </ul>	<ul style="list-style-type: none"> <li>Почистете платформата на косачката и се уверете, че ножовете се движат свободно.</li> </ul>
	<ul style="list-style-type: none"> <li>Косачката е прегряла.</li> </ul>	<ul style="list-style-type: none"> <li>Намалете натоварването на косачката чрез увеличаване на височината на косене на платформата или понижаване на скоростта на ножовете/движението и позволяване на косачката да се охлади.</li> </ul>
	<ul style="list-style-type: none"> <li>Батерията(ите) в отделението за батерии на косачката са прегрели, което води до комбинирани Ah на всички поставени батерии, които не отговарят на изискванията.</li> </ul>	<ol style="list-style-type: none"> <li>Косачката може да продължи да работи, ако комбинираната стойност на Ah, при изключена прегряла батерия отговаря на изискванията. Когато прегрялата батерия се върне към нормална температура, тя ще се включи незабавно към захранването на косачката.</li> </ol>
		<ol style="list-style-type: none"> <li>Ако комбинираните Ah на батериите не отговарят на изискванията, косачката няма да работи, докато не бъдат поставени повече акумулаторни батерии в празните места за батерии.</li> </ol>
		<ol style="list-style-type: none"> <li>Намалете натоварването на косачката чрез увеличаване на височината на косене на платформата или забавяне на косенето при възобновяване на работата.</li> </ol>
	<ul style="list-style-type: none"> <li>Косачката е в режим на аварийно прибиране.</li> </ul>	<ul style="list-style-type: none"> <li>Когато косачката е в режим на аварийно прибиране, ножовете автоматично се превключват на по-ниска скорост на въртене. Операторът трябва да спре работа и да се придвижи до зоната за зареждане на батерията възможно най-скоро.</li> </ul>
	<ul style="list-style-type: none"> <li>Косачката е ударила чужд предмет, което е довело до сработване на защитата на мотора.</li> </ul>	<ul style="list-style-type: none"> <li>Натиснете превключвателя на BOM надолу и след това нагоре, за да рестартирате двигателите на ножовете.</li> </ul>
<ul style="list-style-type: none"> <li>Скоростта на косачката се регулира в режим "TRAVEL".</li> </ul>	<ul style="list-style-type: none"> <li>Когато косачката се движи със скорост „TRAVEL“, двигателите на ножовете ще спрат автоматично.</li> </ul>	

ПРОБЛЕМ	ПРИЧИНА	РЕШЕНИЕ
Аудио индикаторът продължава да звучи.	<ul style="list-style-type: none"> <li>Косачката е в режим на аварийно прибиране и ножовете не са изключени.</li> </ul>	<ul style="list-style-type: none"> <li>Натиснете превключвателя на WOM надолу, за да изключите двигателите на ножовете. Аудио индикаторът ще спре да звучи, когато двигателите на ножовете се изключат.</li> </ul>
	<ul style="list-style-type: none"> <li>Косачката спира движение върху наклон и операторът става от седалката без да постави педала на спирачката за паркиране в спирачна позиция.</li> </ul>	<ul style="list-style-type: none"> <li>Поставете педала на спирачката за паркиране в спирачна позиция, преди да напуснете косачката върху склона.</li> </ul>
Индикаторите на батериите още са включени, когато косачката е изключена.	<ul style="list-style-type: none"> <li>Когато косачката е изключена на терена без отстраняване на акумулаторната(ите) батерия(и) от косачката, индикаторите на батерията, бутонът старт/стоп и бутонът CCS ще останат да светят за определено време.</li> </ul>	<ul style="list-style-type: none"> <li>Не е необходимо действие. Индикаторите за батерията ще угаснат, когато косачката се изключи след определен период от време. Вижте раздела „СПИРАНЕ НА КОСАЧКАТА“ за определено време.</li> </ul>
	<ul style="list-style-type: none"> <li>Когато косачката е изключена върху склон без поставяне на спирачката за паркиране в спирачна позиция, индикаторите на батерията ще продължават да светят, докато зарядът на батерията се изтощи. Звуковият индикатор ще продължи да звучи през същото време.</li> </ul>	<ul style="list-style-type: none"> <li>Поставете педала на спирачката за паркиране в спирачна позиция, преди да напуснете косачката върху склона.</li> </ul>
LCD екран не е осветен с всички включени икони.	<ul style="list-style-type: none"> <li>Бутонът старт/стоп е натиснат за достатъчно време.</li> </ul>	<ul style="list-style-type: none"> <li>LCD екранът ще покаже само “fuel gauge” (измервателен уред за горивото), когато старт/стоп бутонът бъде натиснат за кратко.</li> <li>LCD екранът ще се включи след като старт/стоп бутонът бъде натиснат за достатъчно време.</li> </ul>
<b>BG</b> Косачката коси неравномерно, със значителна разлика във височината отпред и отзад.	<ul style="list-style-type: none"> <li>Ножовете са тъпи.</li> </ul>	<ul style="list-style-type: none"> <li>Заточете или заменете режещия нож съгласно инструкциите в това ръководство.</li> </ul>
	<ul style="list-style-type: none"> <li>Ножовете са огънати.</li> </ul>	<ul style="list-style-type: none"> <li>Заменете огънатия режещ нож съгласно инструкциите в раздела „ЗАМЯНА НА РЕЖЕЩИ НОЖОВЕ“.</li> </ul>
	<ul style="list-style-type: none"> <li>Платформата на косачката не е нивелирана, което води до различна височина на косене от ножа.</li> </ul>	<ul style="list-style-type: none"> <li>Нивелирайте платформата на косачката като следвате инструкциите в раздела „НИВЕЛИРАНЕ НА ПЛАТФОРМАТА НА КОСАЧКАТА“.</li> </ul>

ПРОБЛЕМ	ПРИЧИНА	РЕШЕНИЕ
Действителната височина на косене на тревата не е равна на желаната височина.	<ul style="list-style-type: none"> <li>Гайките на платформата на косачката са разхлабени от лостовете на окачването.</li> </ul>	<ul style="list-style-type: none"> <li>Следвайте инструкциите в раздела <b>„НИВЕЛИРАНЕ НА ПЛАТФОРМАТА НА КОСАЧКАТА“</b>, за да направите правилната настройка и предната към задната част за платформата на косачката и затегнете сигурно гайките на лостовете на окачването.</li> </ul>
	<ul style="list-style-type: none"> <li>Платформата на косачката е повредена или сериозно износена.</li> </ul>	<ul style="list-style-type: none"> <li>Следвайте инструкциите в раздела <b>„ОТСТРАНЯВАНЕ НА ПЛАТФОРМАТА НА КОСАЧКАТА“</b>, за да отстраните платформата на косачката.</li> </ul>
Косачката не тори правилно.	<ul style="list-style-type: none"> <li>Отрязъци мокра трева са залепнали за долната част на платформата.</li> </ul>	<ul style="list-style-type: none"> <li>Изчакайте докато тревата се изсуши преди косене.</li> </ul>
	<ul style="list-style-type: none"> <li>Косачката е настроена да реже твърде много трева наведнъж.</li> </ul>	<ul style="list-style-type: none"> <li>Увеличете височината на косене на платформата.</li> </ul>
Прекалено силни вибрации.	<ul style="list-style-type: none"> <li>Режещите ножове са разхлабени.</li> </ul>	<ul style="list-style-type: none"> <li>Затегнете болта на ножа до препоръчителния въртящ момент на затягане.</li> </ul>
	<ul style="list-style-type: none"> <li>Ножовете са огънати.</li> </ul>	<ul style="list-style-type: none"> <li>Заменете огънатия режещ нож съгласно инструкциите в раздела <b>„ЗАМЯНА НА РЕЖЕЩИ НОЖОВЕ“</b>.</li> </ul>
	<ul style="list-style-type: none"> <li>Платформата на косачката не е нивелирана.</li> </ul>	<ul style="list-style-type: none"> <li>Нивелирайте платформата на косачката като следвате инструкциите в раздела <b>„НИВЕЛИРАНЕ НА ПЛАТФОРМАТА НА КОСАЧКАТА“</b>.</li> </ul>
	<ul style="list-style-type: none"> <li>Гайките на платформата на косачката са разхлабени от лостовете на окачването.</li> </ul>	<ul style="list-style-type: none"> <li>Затегнете гайките на лостовете на окачването.</li> </ul>
	<ul style="list-style-type: none"> <li>Косачката е настроена да коси твърде много трева наведнъж.</li> </ul>	<ul style="list-style-type: none"> <li>Увеличете височината на косене на платформата.</li> </ul>
Има трева или остатъци останали на земята след косене.	<ul style="list-style-type: none"> <li>Косачката е настроена да коси твърде много трева наведнъж, когато тревата е висока.</li> </ul>	<ul style="list-style-type: none"> <li>Започнете с висока височина на косете и я намалете до постигане на желания резултат от косенето. Трева над 152 мм висока трябва да бъде косена на два пъти с последователно намаляване на височината на косене.</li> </ul>
	<ul style="list-style-type: none"> <li>Тревата е мокра.</li> </ul>	<ul style="list-style-type: none"> <li>Не косете когато тревата е мокра, докато тревата не изсъхне.</li> </ul>
	<ul style="list-style-type: none"> <li>Скоростта на движение е висока.</li> </ul>	<ul style="list-style-type: none"> <li>Забавете скоростта на движение.</li> </ul>
	<ul style="list-style-type: none"> <li>Скоростта на ножа е ниска.</li> </ul>	<ul style="list-style-type: none"> <li>Увеличавайте скоростта на ножа постепенно.</li> </ul>

ПРОБЛЕМ	ПРИЧИНА	РЕШЕНИЕ
Късо време на работа на косачката с включена батерия.	<ul style="list-style-type: none"> <li>Тревният терен, състоянието на тревата, настройката на височината на косене, скоростта на движение, скоростта на ножа и т.н. ще повлияят значително върху времето за работа.</li> </ul>	<ul style="list-style-type: none"> <li>Увеличете височината на рязане на платформата или забавете скоростта на ножа, за да намалите натоварването при косене.</li> </ul>
Косачката не се движи на право.	<ul style="list-style-type: none"> <li>Налягането в гумите за лявото и дясното задно колела е различно.</li> </ul>	<ul style="list-style-type: none"> <li>Проверете и регулирайте налягането на въздуха в двете задни гуми съгласно препоръката в раздел „СПЕЦИФИКАЦИИ“.</li> </ul>
	<ul style="list-style-type: none"> <li>Скоростта на движение за лявото и дясното задно колела е различна.</li> </ul>	<ul style="list-style-type: none"> <li>Калибрирайте волана като следвате инструкциите в раздел „КАЛИБРИРАНЕ НА СИСТЕМАТА ЗА СЛЕДЕНЕ НА КОСАЧКАТА“.</li> </ul>
Педалът на спирачката за паркиране не може да бъде освободен от спирачната позиция или се връща бавно от пружината.	<ul style="list-style-type: none"> <li>Може да има отлагания или замърсявания попаднали в педала на спирачката за паркиране.</li> </ul>	<ul style="list-style-type: none"> <li>Отворете кутията на педала на спирачката за паркиране за цялостно почистване на кутията отвътре и я затворете. Нулирайте педала на спирачката за паркиране, за да видите дали проблемът е разрешен. Ако не, свържете се с квалифициран сервизен техник за ремонт.</li> </ul>
Косачката не може да бъде заредена през порта за зареждане с индикатор на статуса на косачката светещ постоянно в червено.	<ul style="list-style-type: none"> <li>Щепселът на зарядното устройство не е правилно вмъкнат в порта за зареждане на косачката.</li> </ul>	<ul style="list-style-type: none"> <li>Свържете отново щепсела на зарядното устройство, за да видите дали косачката може да се зареди нормално.</li> </ul>
	<ul style="list-style-type: none"> <li>Няма захранване в стенните контакти.</li> </ul>	<ul style="list-style-type: none"> <li>Не е необходимо действие. Изчакайте до възстановяване на захранването.</li> </ul>
	<ul style="list-style-type: none"> <li>Неизправно зарядно устройство.</li> </ul>	<ul style="list-style-type: none"> <li>Обадете се на центъра за обслужване на клиенти на EGO за инспекция и ремонт на зарядното устройство, ако е необходимо.</li> </ul>
	<ul style="list-style-type: none"> <li>Портът на зарядното устройство на косачката е дефектен.</li> </ul>	<ul style="list-style-type: none"> <li>Обадете се на центъра за обслужване на клиенти на EGO.</li> </ul>
Времето на зареждане през порта за зареждане на косачката е твърде дълго.	<ul style="list-style-type: none"> <li>Употребата на адаптер EGO ASA1000 за зареждане изисква продължително време.</li> </ul>	<ul style="list-style-type: none"> <li>Използвайте зарядно устройство EGO CHV1600E за зареждане на трактора-косачка с нулев завой.</li> </ul>

ПРОБЛЕМ	ПРИЧИНА	РЕШЕНИЕ
Батерията не може да бъде напълно заредена през порта за зареждане на косачката.	<ul style="list-style-type: none"> <li>Грешка във фърмуера на косачката или повреда на батерията или зарядното устройство.</li> </ul>	<ul style="list-style-type: none"> <li>Нулирайте зарядното устройство, като извадите щепсела му от контакта и изчакайте повече от няколко минути. След това свържете отново щепсела към захранването. Ако това не реши проблема, обадете се в центъра за обслужване на клиенти на EGO .</li> </ul>
Косачката не може да бъде стартирана след почистване.	<ul style="list-style-type: none"> <li>Неправилно почистване като попадане на вода върху електрически компоненти, LCD екрана и др.</li> </ul>	<ul style="list-style-type: none"> <li>Следвайте инструкциите в раздел „<b>ОБЩА ПОДДРЪЖКА</b>“, за да почистите правилно косачката.</li> </ul>
		<ul style="list-style-type: none"> <li>Ако случайно вали дъжд върху косачката, оставете я на въздух да изсъхне или използвайте сгъстен въздух, за да я изсушите.</li> </ul>
Платформата на косачката се запущва бързо.	<ul style="list-style-type: none"> <li>Косачката не е била правилно почистена след предишна употреба.</li> </ul>	<ul style="list-style-type: none"> <li>Почиствайте платформата на косачката след всяка употреба като следвате раздел „<b>УПОТРЕБА НА ОТВОРА ЗА ИЗМИВАНЕ НА ПОЧИСТВАНЕ НА ПЛАТФОРМАТА НА КОСАЧКАТА</b>“.</li> </ul>
Косачката лесно губи сцепление, когато се изкачва нагоре по склон.	<ul style="list-style-type: none"> <li>Гумите на задните колела са износени.</li> </ul>	<ul style="list-style-type: none"> <li>Потърсете местен сервиз за замяна на гумите на колелата.</li> </ul>
	<ul style="list-style-type: none"> <li>Косене на стръмен наклон.</li> </ul>	<ul style="list-style-type: none"> <li>Косачката не трябва да се използва за косене на склонове, по-стръмни от изискваните градуси.</li> </ul>
Когато косачката спре върху склон с натиснат педал на спирачката за паркиране, косачката може да потегли по инерция надолу по склона.	<ul style="list-style-type: none"> <li>Спирачните компоненти са изключително износени поради неправилна работа на косачката.</li> </ul>	<ul style="list-style-type: none"> <li>Обадете се на център за обслужване на клиенти EGO за ремонт.</li> </ul>
Няма вода, идваща от порта за миене, когато се опитвате да измиете платформата.	<ul style="list-style-type: none"> <li>Бързият съединител на порта за миене не е правилно монтиран към порта за миене.</li> </ul>	<ul style="list-style-type: none"> <li>Свържете отново бързия съединител на порта за измиване, докато чуе ясно щракване след силно натискане. Ако това не води до резултат, обадете се на центъра за обслужване на клиенти на EGO.</li> </ul>

ПРОБЛЕМ	ПРИЧИНА	РЕШЕНИЕ
При ръчно бутане на косачката, без да я стартирате, се чува необичаен звук.	<ul style="list-style-type: none"> <li>Звукът идва от магнитите в задвижващия мотор.</li> </ul>	<ul style="list-style-type: none"> <li>Това е нормално и не е необходимо никакво действие.</li> </ul>
Воланът не може да се върти.	<ul style="list-style-type: none"> <li>Възелът на волана е запушен с отломки.</li> </ul>	<ul style="list-style-type: none"> <li>Проверете и отстранете отломките.</li> </ul>
Косачката не завива наляво/надясно при завъртане на волана.	<ul style="list-style-type: none"> <li>Повреда на електронни или механични компоненти.</li> </ul>	<ul style="list-style-type: none"> <li>Обадете се на център за обслужване на клиенти EGO за ремонт.</li> </ul>
Косачката не успява да спре при отпускане на педала на газта.	<ul style="list-style-type: none"> <li>Пътят на връщане на педала на газта е запушен с отломки.</li> </ul>	<ul style="list-style-type: none"> <li>Проверете и отстранете отломките.</li> </ul>
	<ul style="list-style-type: none"> <li>Бутонът за круиз контрол е натиснат неволно по време на шофиране. Косачката е в режим на круиз контрол</li> </ul>	<ul style="list-style-type: none"> <li>Проверете дали иконата за круиз контрол свети на LCD екрана и излезте от круиз контрол, ако е необходимо. Обърнете се към глава „ИЗПОЛЗВАНЕ НА КРУИЗ КОНТРОЛ (CCS)“</li> </ul>
Функцията круиз контрол не може да се активира или изключи.	<ul style="list-style-type: none"> <li>Бутонът за круиз контрол не е натиснат правилно.</li> </ul>	<ul style="list-style-type: none"> <li>Натиснете бутона за круиз контрол, докато иконата круиз контрол (CCS) светне на LCD екрана или изчезне от LCD екрана.</li> </ul>
Косачката не успява да се движи на заден ход, когато левият/десният лост се издърпват към оператора.	<ul style="list-style-type: none"> <li>Индикаторът за състояние на косачката не свети в зелено и косачката не е готова за работа.</li> </ul>	<ul style="list-style-type: none"> <li>Следвайте раздела „СТАРТИРАНЕ НА КОСАЧКАТА“, за да накарате индикатора за състояние на косачката да свети в зелено и косачката да е готова за работа.</li> </ul>
	<ul style="list-style-type: none"> <li>Левият/десният лост не се издърпват правилно към оператора.</li> </ul>	<ul style="list-style-type: none"> <li>Издърпайте левия или десния лост или и двата лоста едновременно към оператора, докато се чуе „щракване“.</li> </ul>
	<ul style="list-style-type: none"> <li>Левият/десният лост не се държат издърпани към оператора.</li> </ul>	<ul style="list-style-type: none"> <li>За да шофирате на заден ход, поне един от лостовете трябва да се държи дръпнат към оператора.</li> </ul>
	<ul style="list-style-type: none"> <li>Левият/десният лост е счупен.</li> </ul>	<ul style="list-style-type: none"> <li>Свържете се с квалифициран сервизен техник за ремонт.</li> </ul>



## РЕФЕРЕНТЕН КОД ЗА СТАТУСА НА КОСАЧКАТА И КОД ЗА ГРЕШКА

LCD дисплей	Описание	Код за грешка на LCD	Индикатор на статуса на косачката	Звуков сигнализатор	Причина	Решение
	LED светлини Иконата се показва на LCD екрана.	Неприложимо	ИЗКЛ	Не	Фаровете, страничните светлини и задните светлини са включени от превключвателя на LED светлините.	Това е нормална операция. Не е необходимо действие.
	USB иконата се показва на LCD екрана.	Неприложимо	ИЗКЛ	Не	Иконата на USB свети, че USB устройството може да работи след като косачката е стартирана правилно.	Това е нормална операция. Не е необходимо действие.
	Иконата на измервателния уред за горивото се показва на LCD екрана	Неприложимо	ИЗКЛ	Не	Тя показва средния капацитет на зареждане и поставените батерии	Това е нормална операция. Не е необходимо действие.
	Иконата за брояч на часове се показва на LCD екрана.	Неприложимо	ИЗКЛ	Не	Той показва общото време на движение на косачката в часове и не може да бъде нулирана.	Това е нормална операция. Не е необходимо действие.
	Иконата на индикатора на натоварването се показва в диапазона ECO	Неприложимо	ИЗКЛ	Не	Той показва текущото натоварване на косачката.	Това е нормална операция. Не е необходимо действие.
	Иконата Назад се показва на LCD екрана.	Неприложимо	ИЗКЛ	Не	Той показва, че косачката се движи назад.	Това е нормална операция. Не е необходимо действие.

**BG**

LCD дисплей	Описание	Код за грешка на LCD	Индикатор на статуса на косачката	Звуков сигнализатор	Причина	Решение
	Иконата на ключа за безопасност мига.	Неприложимо	ИЗКП	Не	Ключът за безопасност не е поставен.	Поставете ключа за безопасност, след което натиснете и задръжте СТАРТ/СТОП бутона, за да включите косачката.
					Възелът на кутията на контролния панел на ключ е счупен.	Възложете изпълнението на ремонтите на квалифициран сервизен техник.
	Иконата на определено отделение за батерии мига.	Неприложимо	ИЗКП	Не	Определена батерия по време на разреждане е със свръхток.	Не е необходимо действие. Косачката може да продължи да работи, ако комбинираната стойност на Ah, при изключена батерия поради свръхток, отговаря на изискванията. След като батерията със свръхток се върне към нормалното, тя ще се включи незабавно в захранването на косачката и иконата ще изчезне.
	Иконата на празното отделение за батерии мига.	Неприложимо	ИЗКП	Не	Капацитетът на батерията е недостатъчен, за да позволи на косачката да работи.	За да стартирате тази косачка, използвайте достатъчно батерии EGO, следвайки инструкциите в раздел „ПРИКРЕПВАНЕ/ОТДЕЛЯНЕ НА АКУМУЛАТОРНАТА БАТЕРИЯ“ в това ръководство.

BG



LCD дисплей	Описание	Код за грешка на LCD	Индикатор на статуса на косачката	Звуков сигнализатор	Причина	Решение
	Индикаторът за претоварване мига.	Неприложимо	Мига в червено	Един звуков сигнал	Моторът на ножовете е претоварен.	Увеличете височината на рязане на платформата или забавете скоростта на движение, за да намалите натоварването на косачката.
					Страничният отвеждащ улей е запушен с трева и отломки.	Почиствайте страничния отвеждащ улей след всяка употреба.
					Има взаимни смущения между ножа и платформата на косачката.	Свържете се с центъра за обслужване на клиенти на EGO
	Иконата за температура мига.	Неприложимо	ИЗКЛ	Един звуков сигнал	Косачката е прегряла.	Намалете натоварването на косачката чрез увеличаване на височината на косене на платформата или забавяне на скоростта на ножовете/движението. Направете почивка и оставете косачката да се охлади.
					Косачката е твърде студена.	Моля, не правете повторни опити, които могат да повредят машината. Винаги съхранявайте косачката и батерията в топла среда. Рестартирайте косачката, когато тя е затоплена.



LCD дисплей	Описание	Код за грешка на LCD	Индикатор на статуса на косачката	Звуков сигнализатор	Причина	Решение
	Иконата за температура и точно заетото отделение за батериите мигат едновременно.	Неприложимо	ИЗКЛ	Не	Батерияният пакет в съответния. Номерираното отделение за батерии е прегряло.	<p>1. Косачката може да продължи да работи, ако комбинираната стойност на Ah, при изключена прегряла батерия отговаря на изискванията. Когато прегрялата батерия се върне към нормална температура, тя ще се включи незабавно към захранването на косачката.</p> <p>2. Ако комбинираните Ah на батериите не са достатъчни, косачката няма да работи, докато не бъдат поставени повече акумулаторни батерии в празните отделения за батерии.</p> <p>3. Намалете натоварването на косачката чрез увеличаване на височината на косене на платформата или забавяне на косенето при възобновяване на работата.</p>

LCD дисплей	Описание	Код за грешка на LCD	Индикатор на статуса на косачката	Звуков сигнализатор	Причина	Решение
	<p>Иконите на всяко заето отделение за батерия, индикаторът за ниска мощност и измервателния уред за горивото мигат на всяка 1 секунда едновременно на LCD екрана. Първият LED индикатор за ниво на горивото и индикатор за състояние на косачката също мига.</p>	Неприложимо	Мига в червено	Продължава да звучи, докато превключвателят на вала за отвеждане на мощност е натиснат.	Акумулаторните батерии са с нисък заряд и косачката е в режим на аварийно прибиране.	<p>Спрете работа и се върнете в зоната за зареждане на батерията.</p> <p><b>БЕЛЕЖКА:</b> Когато косачката е в режим на аварийно прибиране, ножовете автоматично се превключват на по-ниска скорост на въртене и междувременно звуковият индикатор продължава да звучи. Операторът трябва да натисне превключвателя на ВОМ надолу, за да изключи двигателите на ножовете. Звуковият индикатор ще спре да звучи след като ножовете спрат.</p>
	<p>Иконата на всяко заето отделение за батерии и индикаторът за ниска мощност мигат на всеки половин секунда, първият LED индикатор за гориво също ще мига в червено на всеки половин секунда.</p>	Неприложимо	Мига в червено	Продължава да звучи	Акумулаторните батерии са почти изтощени.	<p>Косачката ще спре работа незабавно. Операторът трябва да транспортира косачката до зоната за зареждане на батерията за зареждане.</p>

LCD дисплей	Описание	Код за грешка на LCD	Индикатор на статуса на косачката	Звуков сигнализатор	Причина	Решение
(A)	Иконата на автоматичното паркиране мига на LCD екрана.	Неприложимо	ИЗКЛ	Продължава да звучи	Косачката е паркирана на наклон и операторът напуска косачката, без да постави педала на спиращката за паркиране в спиращна позиция.	Поставете спиращния педал в спиращната позиция. Иконата на автоматичното паркиране ще се изключи и звуковият индикатор ще спре да звучи
(P)	Иконата на спиращния педал се показва на LCD екрана.	Неприложимо	ИЗКЛ	Не	Педалът на спиращката за паркиране е поставен в спиращна позиция.	Освободете я преди стартиране на косачката.

**БЕЛЕЖКА:** Ако на LCD екрана се появи код за грешка, извадете всички батерии и ги поставете отново няколко минути по-късно. Ако това не реши проблема, следвайте отстраняването на неизправности с кода на грешка по-долу.

LCD дисплей	Описание	Код за грешка на LCD	Индикатор на статуса на косачката	Звуков сигнализатор	Причина	Решение
	Иконата на сензора на седалката се показва на LCD екрана.	Неприложимо	ИЗКЛ	Не	Операторът напуска седалката или системата за блокиране на безопасността на седалката е изключена.	Ако с оператор седалка на седалката иконата е включена, спрете работа с косачката незабавно и проверете съединението на седалката. Ако се потвърди, че съединението на седалката с косачката е правилно, моля, свържете се с квалифициран сервизен техник за ремонт.
	Иконата на превключвателя на вала за отвеждане на мощност мига	Неприложимо	ИЗКЛ	Не	Моторът на ножа е прекъснат по време на работа и превключвателят на вала за отвеждане на мощност не е поставен в изключена позиция.	Преди да рестартирате косачката, натиснете превключвателя на вала за отвеждане на мощност надолу, за да изключите двигателите на ножовете. Моля, вижте раздела „ОТСТРАНЯВАНЕ НА ПРОБЛЕМИ“ в това ръководство за справка.

LCD дисплей	Описание	Код за грешка на LCD	Индикатор на статуса на косачката	Звуков сигнализатор	Причина	Решение
	Иконата за регенериране на енергия мига от време на време.	Неприложимо	ИЗКЛ	Не	Кинетичната енергия генерирана по време на спиране или движение надолу по склон се преобразува в електричество за зареждане на акумулаторните батерии.	Това е нормална операция. Не е необходимо действие.
	Иконата за круиз контрол (CCS) мига.	Неприложимо	ИЗКЛ	Не	Функцията CCS (система за круиз контрол) е неизправна.	Функцията круиз контрол (CCS) не може да бъде настроена, когато косачката се движи с много ниска скорост или на заден ход.



LCD дисплей	Описание		Код за грешка на LCD	Индикатор на статуса на косачката	Звуков сигнализатор	Причина	Решение
Вижте "Код за грешка"	Левият задвижващ мотор не се върти.	Неизправност на управлението от печатна платка ляв задвижващ мотор.	413	ИЗКЛ	Един звуков сигнал	Неизправност на печатната платка	Възложете изпълнението на ремонтите на квалифициран сервизен техник.
		Щепселът (трифазен, захранващ проводник) свързващ левия задвижващ мотор със съответната печатна платка е разхлабен.	317	ИЗКЛ	Един звуков сигнал	Разхлабено съединение	
		Щепселът (шестпинов, сигнален проводник) свързващ левия задвижващ мотор със съответната печатна платка е разхлабен.	301	ИЗКЛ	Един звуков сигнал	Разхлабено съединение	
		Левият задвижващ мотор е неизправен..	317	ИЗКЛ	Един звуков сигнал	Неизправност на мотора	

LCD дисплей	Описание		Код за грешка на LCD	Индикатор на статуса на косачката	Звуков сигнализатор	Причина	Решение
Вижте "Код за грешка"	Десният задвижващ мотор не се върти	Неизправност на управлението от печатна платка десен задвижващ мотор.	313	ИЗКЛ	Един звуков сигнал	Неизправност на печатната платка	Възложете изпълнението на ремонтите на квалифициран сервизен техник.
		Щепселът (трифазен, захранващ проводник) свързващ десния задвижващ мотор със съответната печатна платка е разхлабен.	417	ИЗКЛ	Един звуков сигнал	Разхлабено съединение	
		Щепселът (шестпинов, сигнален проводник) свързващ десния задвижващ мотор със съответната печатна платка е разхлабен.	401	ИЗКЛ	Един звуков сигнал	Разхлабено съединение	
		Десният задвижващ мотор е неизправен..	417	ИЗКЛ	Един звуков сигнал	Неизправност на мотора	

LCD дисплей	Описание		Код за грешка на LCD	Индикатор на статуса на косачката	Звуков сигнализатор	Причина	Решение
Вижте "Код за грешка"	Левият мотор за ножовете не се върти.	Неизправност на управлявания от печатна платка ляв мотор за ножовете.	607	Неприложимо	Един звуков сигнал	Неизправност на печатната платка	Възложете изпълнението на ремонтите на квалифициран сервизен техник.
		Щепселът (трифазен, захранващ проводник) свързващ левия мотор на ножовете със съответната печатна платка е разхлабен.	509	Неприложимо	Един звуков сигнал	Разхлабено съединение	Инспектирайте първо ножа. Ако е разхлабен, затегнете болта с препоръчания въртящ момент. В противен случай осигурете ремонт от квалифициран сервизен техник.
		Левият мотор за ножовете е неизправен	509	Неприложимо	Един звуков сигнал	Неизправност на мотора	
Вижте "Код за грешка"	Десният мотор за ножовете не се върти.	Неизправност на управлявания от печатна платка десен мотор за ножовете.	507	Неприложимо	Един звуков сигнал	Неизправност на печатната платка	Възложете изпълнението на ремонтите на квалифициран сервизен техник.
		Щепселът (трифазен, захранващ проводник) свързващ десния мотор на ножовете със съответната печатна платка е разхлабен.	609	Неприложимо	Един звуков сигнал	Разхлабено съединение	Инспектирайте първо ножа. Ако е разхлабен, затегнете болта с препоръчания въртящ момент. В противен случай осигурете ремонт от квалифициран сервизен техник.
		Десният мотор за ножовете е неизправен	609	Неприложимо	Един звуков сигнал	Неизправност на мотора	
Вижте "Код за грешка"	Педалът на газта не работи		311/ 411	ИЗКП	Един звуков сигнал	Неизправност на печатната платка	Възложете изпълнението на ремонтите на квалифициран сервизен техник.
			307/ 407			Разхлабено съединение	

LCD дисплей	Описание		Код за грешка на LCD	Индикатор на статуса на косачката	Звуков сигнализатор	Причина	Решение
Вижте "Код за грешка"	Воланът не работи		312/ 412	ИЗКЛ	Един звуков сигнал	Неизправност на печатната платка Разхлабено съединение	Възложете изпълнението на ремонтите на квалифициран сервизен техник.
Вижте "Код за грешка"	Спирачката за паркиране е неизправна, косачката не може да се движи.	Печатната платка за спирачката за паркиране, която е във възела на предната рама, е счупена.	309/ 409	ИЗКЛ	Един звуков сигнал	Неизправност на печатната платка	Възложете изпълнението на ремонтите на квалифициран сервизен техник.
		Превключвателят и/или проводникът на спирачката за паркиране са повредени.	801	ИЗКЛ	Един звуков сигнал	Неизправност на проводника/ превключвателя	
ИЗКЛ	Неизправност на порта за зареждане		Неприложимо	Постоянно в ЧЕРВЕНО	Неприложимо	Портът за зареждане е с отворена верига.	Възложете изпълнението на ремонтите на квалифициран сервизен техник.
			Неприложимо	Постоянно в ЧЕРВЕНО	Неприложимо	Няма електрозахранване.	Проверете стенния контакт дали е за 220 V - 240 V или дали контактът е добър.
			Неприложимо	Постоянно в ЧЕРВЕНО	Неприложимо	Предпазителят е изгорял.	Възложете изпълнението на ремонтите на квалифициран сервизен техник.
Вижте "Код за грешка"	Неизправност на порта за зареждане		204	Неприложимо	Един звуков сигнал	Портът за зареждане е с отворена верига.	Възложете изпълнението на ремонтите на квалифициран сервизен техник.

LCD дисплей	Описание	Код за грешка на LCD	Индикатор на статуса на косачката	Звуков сигнализатор	Причина	Решение
Вижте "Код за грешка"	Възелът на кутията за батериите не функционира	217	Неприложимо	Един звуков сигнал	Източникът на електрозахранване от кутията за батериите е прекъснат. LED фаровете и USB не работят.	Възложете изпълнението на ремонтите на квалифициран сервизен техник.
		310/ 410	ИЗКП	Един звуков сигнал	Връзката между проводници тип С на кутията за батериите и други проводници тип С на косачката не работи.	
		201/ 202/ 203	ИЗКП	Един звуков сигнал	BMS на кутията за батериите е неизправен.	
Вижте "Код за грешка"	Старт/стоп превключвателят е неизправен	314/ 414	ИЗКП	Един звуков сигнал	Неизправност на превключвателя на печатната платка или лошо свързан проводник за старт/стоп превключвателя.	Възложете изпълнението на ремонтите на квалифициран сервизен техник.
Вижте "Код за грешка"	LCD екранът е неизправен	315/ 415	ИЗКП	Един звуков сигнал	Възелът на LCD е неизправен или лошо свързан проводник на възела на LCD.	Възложете изпълнението на ремонтите на квалифициран сервизен техник.

## ГАРАНЦИЯ

### ГАРАНЦИОННА ПОЛИТИКА EGO

Моля, посетете уебсайта [egopowerplus.com](http://egopowerplus.com) за пълните срокове и условия по гаранционната политика на EGO.

BG

# PROČITAJTE UPUTE U CIJELOSTI!



PROČITAJTE KORISNIČKI PRIRUČNIK.

## SIMBOL O SIGURNOSTI

Svrha simbola o sigurnosti je skretanje pozornosti na moguće opasnosti. Simboli o sigurnosti i njihova objašnjenja zahtijevaju vašu potpunu pozornost i razumijevanje. Simboli upozorenja ne isključuju opasnost sami po sebi. Upute i upozorenja koja pružaju nisu zamjena za propisne mjere za prevenciju nesreća.

**⚠ UPOZORENJE:** Prije korištenja ovog alata, s razumijevanjem pročitajte sve sigurnosne upute u ovom priručniku za rukovatelja, uključujući sve sigurnosne simbole kao što su „**OPASNOST**“, „**UPOZORENJE**“ i „**OPREZ**“. Zanemarivanje uputa navedenih u nastavku može rezultirati električnim udarom, požarom i/ili teškim tjelesnim ozljedama.

## ZNAČENJE SIMBOLA

Na ovoj stranici slikovno su prikazani i objašnjeni simboli sigurnosti koji se mogu pojaviti na ovom proizvodu. Prije sastavljanja i rukovanja, s razumijevanjem pročitajte sve upute na stroju i pridržavajte ih se.

## SIGURNOSNI SIMBOLI



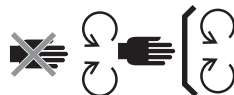
Upozorenje u vezi sigurnosti



S razumijevanjem pročitajte priručnik za rukovatelje



Zaštita za oči



Održavanje sigurnosnih uređaja



OPASNOST – opasnost od strmih kosina



OPASNOST – promatrači moraju biti podalje od noževa



Nikad ne vozite djecu



Kad idete unatrag, gledajte iza sebe



UPOZORENJE - nemojte upotrebljavati ovaj stroj na kosinama većim od 12°



OPASNOST – odbačeni predmeti



UPOZORENJE – DRŽITE PODALJE OD RUKU I STOPALA



Zajamčena razina snage zvuka. U skladu je s direktivom Europske zajednice.

HR



Ne stajati ovdje



Otpadni električni proizvodi ne smiju se odlagati s otpadom iz kućanstva. Odnosite ih u ovlaštenu centar za recikliranje.



Ovaj proizvod je u skladu s važećim direktivama EU



OPREZ – nemojte gledati u radnu lampu.



Istosmjerna struja



Ovaj proizvod je u skladu s važećim zakonodavstvom UK.

kPa

Kilopaskal

O/MIN

Brzina vrtnje

V

Volt

m

Metara

in

Inč

cm

centimetri

nm

Newtonmetar

mm

milimetri

°C

Celzij

kg

kilogram

km/h

Kilometara na sat

IPX4

Stupanj zaštite od prodora vode

## SIGURNOSNI SIMBOLI



Informacije treba zabilježiti



Navedena radnja prestaje

## TEHNIČKI PODACI

Napon		56 V
Veličina trupa		107 cm
Veličina kotača	Sprijeda	279,4 x 101,6 – 127 mm
	Straga	457,2 x 241,3 – 203.2 mm
Tlak u hladnim gumama	Sprijeda	222,1 kPa
	Straga	110,3 kPa
Radius zaokretanja		0
Brzina noža (o/min)		2400; 2600; 2800; 3000

Maksimalna brzina vožnje	Naprijed	4,8 km/h, 8,1 km/h, 9,7 km/h, 11,3 km/h (12,8 km/h u načinu putovanja)
	Unatrag	do 5,6 km/h
Punjenje	Punjač (dodatni pribor)	CHV1600E
	Adapter (dodatni pribor)	ACA1000
	Raspon temperatura punjenja	5°C – 40°C
Podešavanje visine otkosa (10 položaja)		25 – 100 mm
Radna temperatura		0°C – 40°C
Temperatura skladištenja		-20°C – 70°C

HR

Masa (bez baterijskog modula)	196 kg	
Izmjerena razina zvučne snage $L_{WA}$	96,44 dB(A) K=0,68 dB(A)	
Razina zvučnog tlaka kod uha rukovatelja $L_{PA}$	84,3 dB(A) K=3,0 dB(A)	
Zajamčena razina zvučne snage $L_{WA}$ (izmjereno u skladu s 2000/14/EZ)	100 dB(A)	
Vibracija $a_h$	Ruka	1,221 m/s <sup>2</sup> K=1,5 m/s <sup>2</sup>
	Tijelo	0,568 m/s <sup>2</sup> K=1,5 m/s <sup>2</sup>

- Deklarirane ukupne vrijednosti vibracija izmjerene su u skladu sa standardnom metodom ispitivanja i mogu se koristiti za usporedbu jednog alata s drugim.
- Deklarirane ukupne vrijednosti vibracija mogu se koristiti i u preliminarnoj procjeni izloženosti.

**OBAVIJEST:** Emisija vibracija tijekom aktualnog korištenja električnog alata može se razlikovati od deklarirane vrijednosti u kojoj se alat koristio; Radi zaštite rukovatelja korisnik treba nositi rukavice i štitnike za uši u aktualnim uvjetima korištenja.

## PREPORUČENA DODATNA OPREMA

**⚠ UPOZORENJE:** Koristite samo identične zamjenske dijelove navedene u nastavku. Korištenje dijelova koji nisu u skladu sa specifikacijama za izvornu opremu može rezultirati nepravilnim radom i smanjenom sigurnošću.

NAZIV DIJELA	BROJ MODELA
Standardni nož	AB4200
Visoko izdignuti nož	AB4201
Zatvarač za malčiranje	AMP4200
Komplet s vrećom za travu	ABK4200-A
Stražnji odbojnik	AMB1000

Teretna kutija	AMG1000
Zaštita od sunca	AMS1000

## OPIS

### UPOZNAJTE KOSILICU (sl. A1)

1. Sjedalo
2. Priključak za punjenje
3. Jedinica snage
4. LED stražnje svjetlo
5. Odjeljak za odlaganje
6. LED Bočni
7. Stražnji kotač (pogonski kotač)
8. Priključak za pranje
9. Trup
10. Štitnik trupa
11. Kotači za ograničenje visine otkosa
12. Prednji kotač
13. Papučica parkirne kočnice
14. Dnevna svjetla
15. Prednja LED svjetla
16. Papučica gasa
17. Područje s osloncem za stopala
18. Bočni izlazni kanal
19. Ručica za podešavanje visine trupa
20. Gumb za podešavanje ogibljenja sjedala
21. Kolo upravljača
22. Desna bočna kutija
23. Ručica za podešavanje položaja sjedala
24. PTO sklopka
25. Tipka Start/Stop
26. Sigurnosni ključ
27. Kutija za čuvanje telefona
28. Držać za čaše
29. Lijeva ručica
30. Indikator stanja kosilice
31. LCD zaslon



32. Desna ručica
33. Gumb za podešavanje brzine noža
34. Gumb CCS
35. Gumb za način vožnje
36. Sklopka LED svjetla
37. Gumb za podešavanje brzine vožnje
38. Gumb za oslobađanje poklopca pogonske jedinice
39. Poklopac pogonske jedinice
40. Pogonska jedinica sa šest odjeljaka za baterije
41. Gumb za oslobađanje baterije
42. Kuka
43. Poklopac za montažu priključka
44. USB priključak

### UPOZNAJTE LCD ZASLON (SI. A2)

Više informacija o ikonama i indikatorima na LCD zaslonu potražite u odjeljku „**STATUSNE REFERENCE I ŠIFRE KVAROVA KOSILICE**“.

1. Ikona za unatrag
2. CCS Ikona
3. Ikona sigurnosnog ključa
4. Ikona LED svjetla
5. Ikona automatskog parkiranja
6. Ikona USB-a
7. Indikator brzine noža
8. Indikator stanja sigurnosnog uređaja
9. Brojilo sati rada
10. Ikona praznog pretinca za baterije
11. Ikona temperature
12. Ikona popunjenog pretinca za baterije
13. Način rada vožnje
14. Indikator koda pogreške
15. Indikator preopterećenja
16. Indikator slabog napajanja
17. Mjerač goriva
18. Indikator opterećenja
19. Indikator brzine vožnje

## RASPAKIRAVANJE

**OBAVIJEST:** Nemojte odbaciti ambalažni materijal dok pažljivo ne pregledate alat i uspješno ne pokrenete proizvod. Ako vam nedostaje bilo koji sastavni dio stroja s otpremnice, odmah se obratite EGO servisnom centru.

**OBAVIJEST:** Osim alata iz dolje navedene otpremnice, svi drugi alati navedeni u priručnicima dio su preporučene otpreme, ali nisu dio paketa.

**OBAVIJEST:** Nemojte uklanjati pjenasti blok ispod kola upravljača prije nego što je upravljač propisno ugrađen. Vibracije za vrijeme kretanja mogu uzrokovati oštećenje kola upravljača.

### OTPREMNICA (SL. B)

B-1	Traktorska kosilica s okretom u mjestu	B-2	Sjedalo
B-3	Zatvarač za malčiranje	B-4	Vijci s nasadnom glavom (2 rezervna)
B-5	Imbus ključ	B-6	Nasadni ključ
B-7	Viličasti ključ	B-8	Sigurnosni ključevi
B-9	Spojnicu priključka za pranje	B-10	Priručnici za rukovatelje

## SASTAVLJANJE

### UGRADNJA SJEDALA (sl. C1 i C4)

**⚠ UPOZORENJE:** Sigurnosni sustav blokade ne smije se isključivati niti zaobilaziti. Time biste mogli uzrokovati neočekivan rad kosilice, što može dovesti do ozljeda.

**OBAVIJEST:** Zbog vaše sigurnosti, kosilica u slučaju prekida sklopke sjedala može prestati s radom. U tom slučaju više informacija potražite u odjeljku „**RJEŠAVANJE PROBLEMA**“.

C1-1	Podnožje	C1-2	Utikač
C1-3	Kabel	C2-1	Krak sjedala
C2-2	Baza ovjesa	C2-3	Imbus ključ

C2-4	Vijci s nasadnom glavom	C2-5	Ručica za podešavanje položaja sjedala
C3-1	Čelične vodilice	C3-2	Imbus ključ
C3-3	Vijci s nasadnom glavom	C4-1	Kuka

### UGRADNJA KOLA UPRAVLJAČA (SI. C5 – C6)

C5-1	Vijak za fiksiranje	C5-2	Bar
C6-1	Blok za određivanje položaja	C6-2	Utor
C6-3	Štitnik za kolo upravljača		

### PRIČVRŠĆIVANJE ZATVARAČA ZA MALČIRANJE (SI. C7)

C7-1	Bočni izlazni nastavak	C7-2	Zatvarač za malčiranje
C7-3	Pokretna opruga		

## PODEŠAVANJE

### PRIJE PODEŠAVANJA (SI. D1)

### PODEŠAVANJE VISINE OTKOSA (SI. D2)

### PODEŠAVANJE KOTAČA ZA OGRANIČENJE VISINE OTKOSA (SI. D3 – SI. D6)

D3-1	Kotači za ograničenje visine otkosa	D5-1	Matica
D5-2	Lug Bolt	D6-1	Oznaka visine otkosa

### PODEŠAVANJE SJEDALA (SI. D7)

D7-1	Ručica za podešavanje položaja sjedala	D7-2	Gumb za podešavanje ogibljenja sjedala
------	--	------	--

### PODEŠAVANJE KOLA UPRAVLJAČA (SI. D8)

D8-1	Vijak za fiksiranje	D8-2	Bar
D8-3	Blok za određivanje položaja	D8-4	Utor

## RAD

### PRIJE RADA (SI. E1)

### PODEŠAVANJE PARKIRNE KOČNICE (SI. E2)

E2-1	Otpušteni položaj	E2-2	Položaj kočenja
------	-------------------	------	-----------------

**OBAVIJEST:** Ne utiskujte papučicu parkirne kočnice da biste smanjili brzinu. Kada je papučica parkirne kočnice dovoljno utisnuta, ali ne do potpunog parkirnog položaja, kosilica će se prestati kretati na ravnoj površini, ali ako se to dogodi na kosini, kosilica može skliznuti niz kosinu.

### POSTAVLJANJE/SKIDANJE BATERIJSKOG MODULA (SI. E3 – E6)

Kako biste mogli pokrenuti kosilicu, morate imati EGO baterije ukupnog kapaciteta 15 Ah (2 x BA4200T/BA4200T) ili većeg. Za najbolji učinak preporučujemo upotrebu EGO baterija ukupnog kapaciteta 30 Ah ili većeg.

E3-1	Gumb za otpuštanje poklopca	E5-1	Gumb za oslobađanje baterije
------	-----------------------------	------	------------------------------

### PUNJENJE KOSILICE

Upotrebljavajte isključivo preporučene baterijske module i punjače.

- Baterijske module punite zasebno (SI. E7)

**OBAVIJEST:** Detaljne upute potražite u odgovarajućim priručnicima za baterije i punjač.

- Baterijske module punite putem priključka za punjenje (SI. E8-E10)

E10-1	Kapa protiv prašine	E10-2	Priključak za punjenje
-------	---------------------	-------	------------------------

## ISPITIVANJE SIGURNOSNOG SUSTAVA ZA BLOKADU

- a. Ispitivanje sustava platforme s nožem (Sl. E11 — E12)
- b. Ispitivanje pogonskog sustava (Sl. E13 — E14)

Ako se sustav trupa–noža i/ili sustav vožnje ne zaustave nakon što se rukovatelj ustane sa sjedala i ako se uzrok ne može utvrditi niti nakon potvrde kako je spoj utikača i utičnice sjedala pravilan, odmah se obratite u servisni centar tvrtke EGO.

## KONTROLNI POPIS PRIJE RADA

- Uvjerite se da u radnom području nema djece, promatrača i kućnih ljubimaca.
- Radno područje očistite od predmeta koje razbacuju noževi kosilice.
- Očistite ostatke s kosilice.
- Provjerite da nema olabavljenih spojnih dijelova.
- Provjerite jesu li svi štitnici na svom mjestu i da rade ispravno.
- Vizualno provjerite jesu li gume napunjene.
- Provjerite rad kočnica.
- Podesite visinu platforme na željeni položaj rezanja koji je najprikladniji za travnjak i u skladu s tim prilagodite kotače za ograničenje visine otkosa.
- Podesite položaj sjedala i provjerite mogu li se dosegnuti obje papučiće.
- Ako je potrebno, podesite kolo upravljača u željeni položaj.
- Provjerite razinu napunjenosti baterije.
- Ispitajte sigurnosni sustav blokade.

## POKRETANJE KOSILICE ( E15 - Sl. E16)

**⚠ UPOZORENJE:** Izbjegavajte naglo pokretanje, zaustavljanje i okretanje, kao i prekomjernu brzinu, naročito dok se tek privikavate na rukovanje kosilicom. Kosilica se može okretati brzo, zbog čega biste mogli izgubiti kontrolu i/ili prouzročiti teške ozljede i/ili oštećenja.

**⚠ UPOZORENJE:** Prije pokretanja kosilice, provjerite noževe i pazite da budu deaktivirani unutar 5 sekundi kada pritisćete PTO sklopku prema dolje. Ako se noževi ne zaustavljaju, nemojte upotrebljavati kosilicu i odmah se obratite u servisni centar tvrtke EGO.

**OBAVIJEST:** Slijedite upute sa sl. E17 i sl. E18 te koristite najnižu brzinu vožnje i način vožnje STANDARD dok u potpunosti ne ovladate rukovanjem kosilicom u svim situacijama.

Kosilica će spremi i prikazati prethodni način vožnje, brzinu vožnje i kalibraciju kola upravljača prilikom ponovnog pokretanja.

## PODEŠAVANJE NAČINA VOŽNJE (Sl. E17)

- **CONTROL:** Manje ubrzanje, manje osjetljivo rukovanje i mala brzina okretanja za zaštitu trave i za nove korisnike.
- **STANDARD:** Savršeno za svakodnevnu upotrebu.
- **SPORT:** Veće ubrzanje, precizno rukovanje i oštri okreti, za maksimalnu učinkovitost košnje i iskusne rukovatelje.

**NAPOMENA:** Način vožnje ne može se podešavati u vožnji. Funkcija će se aktivirati samo kada se kotači kosilice zaustave.

## Podešavanje brzine vožnje (sl. E18)

**NAPOMENA:** Kada je u načinu rada "TURBO", pritisnite tipku "—", brzina vožnje vratit će se u prethodni način rada.

## Podešavanje brzine noža (sl. E19)

### LED svjetla

- Radnim, bočnim i stražnjim svjetlima upravlja sklopka LED svjetla.
- Radna svjetla u vožnji su uvijek uključena.
- Pri kretanju unatrag, ako su stražnja svjetla isključena, treptat će zbog upozorenja promatračima; ako su stražnja svjetla uključena, nastavit će svijetliti.
- Sva svjetla će se automatski isključiti kada se kosilica automatski isključi nakon razdoblja bez rada.

### USB priključak

**OBAVIJEST:** USB priključak ima napon punjenja od 5 V DC pri kombiniranoj struji do 1,5 A, a radi jedino kad je kosilica uključena.

## ZAUSTAVLJANJE KOSILICE (Sl. E20)

**OBAVIJEST:** Nakon 60 minuta neaktivnosti, kosilica će se automatski isključiti.

## Način rada Limp Home

Kad napunjenost baterije postane kritično niska, kosilica će ući u Limp-Home način rada kako bi sačuvala dovoljno energije za povratak u područje punjenja.

- Noževi se prebacuju na malu brzinu vrtnje kada mogu kositi samo vrlo malu količinu trave. Kada naiđu na visoku i gustu travu, noževi će se prestati vrtjeti. Povremeno će se oglašavati zvučni indikator (zvučni signal).
- Indikator stanja kosilice treptat će crveno svake sekunde, treptat će indikator slabog napajanja te grafički prikaz baterije na mjeracu goriva.

Rukovatelj treba učiniti sljedeće:

- Pritisnite sklopku za PTO prema dolje da biste isključili motore noža. Zvučni signal prestat će se oglašavati nakon što se motori noža zaustave.
- Prestanite s radom i što prije prijedite na mjesto za punjenje. Maksimalna udaljenost koju kosilica može prijeći je 1000 m.

Prije nego što se baterija posve isprazni, ikona svakog zauzetog pretinca za bateriju i indikator slabog napajanja zatreperit će svakih pola sekunde. Kosilica će odmah prestati s radom. Rukovatelj će morati transportirati kosilicu do mjesta za punjenje.

**OBAVIJEST:** Ako se pokaže potreba za ručnim guranjem, odvojite bateriju od kosilice i otpustite papučicu parkirne kočnice iz položaja kočenja.

## VOŽNJA KOSILICE (SI. E21)

**⚠ OPASNOST!** Držite se barem dvije širine otkosa dalje od jama, strmina i vode. Prednji kotači mogu se okretati ako je kosilica zaustavljena, čak i ako je kočnica aktivirana, zbog čega kosilica može prijeći preko ruba ili pasti u vodu, uzrokujući smrt ili teške ozljede.

**⚠ UPOZORENJE:** Prije vožnje unatrag provjerite što se nalazi iza vas. **NEMOJTE** kositi unatrag ako to stvarno nije potrebno. Prije i tijekom vožnje unatrag uvijek gledajte dolje i iza sebe kako biste se uvjerali da iza vas nema djece, promatrača ili kućnih ljubimaca. Zapamtite da je samo jedan djelić sekunde nepažnje dovoljan za pogibiju ili ozljede.

**⚠ UPOZORENJE:** Ne koristite ovaj stroj na javnim cestama.

**⚠ UPOZORENJE:** U slučaju blokade ili ako udarite strani predmet, zaustavite motore i izvadite baterije. Uklonite ostatke trave, lišće, prljavštinu i ostale nakupljene nečistoće; dobro pregledajte da na kosilici nema oštećenja i otklonite oštećenja prije ponovnog pokretanja i upotrebe kosilice.

## UPOREBA TEMPOMATA (CCS)

### Aktiviranje CCS tijekom vožnje (SI. E22)

**NAPOMENA:** Razina brzine vožnje prikazana na LCD zaslonu možda neće točno predstavljati stvarnu brzinu vožnje kosilice s tempomatom. Pritisnite jedan od gumba za podešavanje brzine ("↶" ili "↷") za "osvježavanje" i prilagodite razinu brzine vožnje na LCD zaslonu.

**Ako želite izaći iz CCS-a i zaustavili kosilicu,** možete odabrati jedan od četiri načina:

- Lagano utisnite papučicu gasa, a zatim ju otpustite.
- Povucite lijevu/desnu ručicu prema rukovatelju i zatim ju otpustite.
- Utisnite papučicu parkirne kočnice.
- Pritisnite gumb CCS.

**NAPOMENA:** Utisnite papučicu gasa sve do kraja kako biste postigli trenutnu brzinu vožnje CCS i nastavite ju utiskivati. CCS funkcija će prestati s radom i kosilica će nastaviti voziti trenutnom brzinom.

## ODRŽAVANJE

**⚠ UPOZORENJE:** Uvijek nosite zaštitu za oči s bočnim štitnicima. Nepostupanje u skladu s tim može rezultirati odbacivanjem predmeta u oči i drugim mogućim teškim ozljedama.

**⚠ UPOZORENJE:** Pri obavljanju radova održavanja na nožu kosilice zaštitite ruke rukavicama ili omotajte noževe krpama ili drugim materijalima. Izvadite sigurnosni ključ i baterijski modul prije servisa ili transporta kosilice.

Interval servisnog održavanja	Postupak za održavanje
Prije svake upotrebe ili svakodnevno	<ul style="list-style-type: none"> <li>▪ Provjerite sigurnosni sustav blokade.</li> <li>▪ Vizualno provjerite jesu li gume napunjene.</li> <li>▪ Pregledajte noževe.</li> <li>▪ Pregledajte čitav proizvod i uvjerite se kako nema dijelova koji su oštećeni, nedostaju ili su olabavljeni, što uključuje sklop bočnog nastavka, vijke, matice, kapice itd. te provjerite jesu li svi štitnici na mjestu i ispravno rade.</li> <li>▪ Provjerite i uvjerite se da se papučica gasa može pravilno utisnuti i otpustiti.</li> <li>▪ Provjerite prigušnik kola upravljača. Kolo upravljača treba okretati s određenim otporom.</li> </ul>
Nakon svake upotrebe	<ul style="list-style-type: none"> <li>▪ Očistite trup kosilice.</li> </ul>
Svakih 25 sati	<ul style="list-style-type: none"> <li>▪ Provjerite tlak u gumama.</li> </ul>
Svakih 100 sati	<ul style="list-style-type: none"> <li>▪ Provjerite stražnje kotače i uvjerite se da su vijci zategnuti preporučenim momentom.</li> </ul>
Svakih 200 sati	<ul style="list-style-type: none"> <li>▪ Provjerite prednje kotače i uvjerite se kako se slobodno okreću.</li> </ul>
Prije skladištenja	<ul style="list-style-type: none"> <li>▪ Uklonite baterije iz kosilice.</li> <li>▪ Uklonite sigurnosni ključ iz kosilice.</li> <li>▪ Provedite sve gore navedene postupke održavanja i dobro očistite kosilicu.</li> <li>▪ Pregledajte cijeli proizvod i provjerite da nema oštećenih, izgubljenih ili labavih dijelova, te zamijenite ili zategnite odgovarajuće prije skladištenja.</li> </ul>

Godišnje	<ul style="list-style-type: none"> <li>▪ Provjerite papučicu parkirne kočnice. Odvojite bateriju od kosilice i postavite papučicu parkirne kočnice u položaj za kočenje. Ručno gurnite kosilicu prema naprijed i provjerite možete li ju pomicati. Ako se pomiče, neka ju servisira ovlaštenu servisni tehničar.</li> </ul>
----------	---

## OPĆE ODRŽAVANJE

### Čišćenje kućišta kosilice (sl. F1 – sl. F2)

### Upotreba priključka za pranje za čišćenje platforme kosilice (Sl. F3 – F4)

F2-1	Priključak za pranje	F2-2	Spojnica priključka za pranje
F2-3	Vrtno crijevo		

**OBAVIJEST:** Kada završite čišćenje, potpuno isključite kosilicu, a zatim uklonite vrtno crijevo i brzu spojnicu.

## ODRŽAVANJE TRUPA KOSILICE I NOŽEVA

### PRIPREMA (sl. G1)

### Uklanjanje platforme kosilice (Sl. G2 – G3)

G2-1	Kabel motora	G2-2	Spona ovjesa
G2-3	Rascjepka		

**OBAVIJEST:** Odvojite sve kabele motora i mehaničke osigurače kada uklanjate platformu kosilice.

### Zamjena reznih noževa (sl. G4 – G6)

G4-1	Stabilizator	G5-1	Vijak
G5-2	Podloška	G5-3	Nož
G5-4	Prirubnica	G5-5	Vratilo motora

### Niveliranje trupa kosilice

#### a. Kada se obavlja niveliranje (Sl. G7 – G9)

#### b. Prije niveliranja

- Provjera tlaka u hladnim gumama (sl. G10)
- Provjerite noževe. Prema potrebi uklonite i zamijenite istrošene, oštećene i/ili savijene noževe.

#### c. Priprema za niveliranje (Sl. G11)

#### d. Način niveliranja



- Bočno podešavanje (sl. G12)
- Uzdužno podešavanje (sl. G13)

## KALIBRIRANJE SUSTAVA PRAĆENJA KOSILICE (sl. H1 – H2)

**OBAVIJEST:** Zvučni signal oglasit će se jednom nakon početka kalibracije i jednom po njezinom dovršetku.

**NAPOMENA:** Kalibracija dovršena za jedan od načina vožnje ("CONTROL", "STANDARD", "SPORT") možda neće biti dostupna za druga dva načina rada. Kalibrirajte kolo upravljača neovisno u svakom načinu vožnje, prema potrebi.

## PONOVNO POSTAVLJANJE KOSILICE NA POČETNE TVORNIČKE POSTAVKE (sl. I)

**OBAVIJEST:** Zvučni signal oglasit će se jednom nakon početka ponovnog postavljanja i jednom po njegovom dovršetku.

**NAPOMENA:** Kada je resetiranje uspješno, ispod postavki vratit će se na početnu tvorničku postavku:

- način vožnje
- brzina vožnje
- kalibracija kola upravljača

## SKLADIŠTENJE I TRANSPORT

### TRANSPORT KOSILICE (SI. J1 — J5)

**OBAVIJEST:** Prema potrebi osigurajte kosilicu trakama ili kabelima kako biste onemogućili njezino pomicanje tijekom transporta.

### SKLADIŠTENJE (SI. K1 – K2)

**OBAVIJEST:** Upute za uklanjanje baterijskih modula i pohranu baterija potražite u pripadajućim priručnicima.

HR

Upute za čišćenje i provjeru kosilice prije pohrane potražite u odjeljcima „ČIŠĆENJE KOSILICE“ i „PREPORUČENI RASPOREDI ODRŽAVANJA“.

### Zaštita okoliša



OEEO (Otpadna električna i elektronička oprema) Električnu opremu, iskorištenu bateriju i punjač nemojte odlagati u otpad iz kućanstva!


Ovaj proizvod odnesite u ovlaštenu centar za reciklažu i time omogućite odvojeno sakupljanje. Električne alate potrebno je vratiti u ekološki prihvatljiv pogon za reciklažu.

## OTKLANJANJE SMETNJI

PROBLEM	UZROK	RJEŠENJE
Traktorska kosilica s okretom u mjestu ne vozi kada se utisne papučica gasa.	<ul style="list-style-type: none"> <li>▪ Kombinirani kapacitet u Ah umetnutih baterija ne ispunjava zahtjev.</li> </ul>	<ul style="list-style-type: none"> <li>▪ Da biste mogli pokrenuti kosilicu, upotrijebite dovoljno EGO baterija prema uputama u odjeljku "<b>POSTAVLJANJE/ODVAJANJE BATERIJSKOG MODULA</b>" u ovom priručniku.</li> </ul>
	<ul style="list-style-type: none"> <li>▪ Papučica parkirne kočnice postavljena je u položaj kočenja.</li> </ul>	<ul style="list-style-type: none"> <li>▪ Pritisnite papučicu parkirne kočnice do kraja i otpustite je iz položaja kočenja.</li> </ul>
	<ul style="list-style-type: none"> <li>▪ Lijeva i desna ručica nisu nakratko povučene prema rukovatelju kako bi indikator statusa kosilice zasvijetlio zeleno prilikom pokretanja kosilice.</li> </ul>	<ul style="list-style-type: none"> <li>▪ Povucite istodobno LIJEVU I DESNU ručicu prema rukovatelju, a zatim ih otpustite. Indikator stanja kosilice svijetlit će zeleno što znači da je kosilica spremna za pokretanje.</li> </ul>
	<ul style="list-style-type: none"> <li>▪ Rukovatelj ne sjedi na sjedalu.</li> </ul>	<ul style="list-style-type: none"> <li>▪ Kosilicu ćete moći pokrenuti tek nakon što rukovatelj pravilno sjedne na sjedalo.</li> </ul>
	<ul style="list-style-type: none"> <li>▪ Sklopka sjedala nije pravilno spojena.</li> </ul>	<ul style="list-style-type: none"> <li>▪ Uklonite bateriju iz kosilice i rastavite sjedalo obrnutim redoslijedom od uputa iz odjeljka „<b>UGRADNJA SJEDALA</b>“ u ovom priručniku kako biste bili sigurni da je kabelski utikač pravilno spojen na utičnicu u donjem dijelu sjedala. Ponovno sastavite sjedalo i slijedite upute iz odjeljka „<b>POKRETANJE KOSILICE</b>“ kako biste ponovno pokrenuli kosilicu i provjerili može li se pokrenuti. Ako ne, obratite se ovlaštenom servisnom tehničaru i zatražite njezin popravak.</li> </ul>
	<ul style="list-style-type: none"> <li>▪ U slučaju iznimno hladnog vremena, funkcija vožnje možda se neće uspješno pokrenuti zbog zaštite od niskih temperatura.</li> </ul>	<ul style="list-style-type: none"> <li>▪ Kosilicu i bateriju obavezno čuvajte u toplom okruženju. Ponovno pokrenite kosilicu nakon što se zagrije. Ako je jako hladno, nemojte je uzastopno pokušavati pokrenuti, jer to može dovesti do oštećenja stroja.</li> </ul>
	<ul style="list-style-type: none"> <li>▪ Na putanji papučice gasa nalaze se krhotine i otpad.</li> </ul>	<ul style="list-style-type: none"> <li>▪ Provjerite i uklonite ostatke.</li> </ul>
	<ul style="list-style-type: none"> <li>▪ Kvar mehaničkih ili elektroničkih komponenti papučice gasa.</li> </ul>	<ul style="list-style-type: none"> <li>▪ Obratite se kvalificiranom servisnom tehničaru radi popravka.</li> </ul>

PROBLEM	UZROK	RJEŠENJE
Električna kosilica s okretom u mjestu prestaje s vožnjom.	<ul style="list-style-type: none"> <li>Lijeva/desna ručica treba se "resetirati".</li> </ul>	<ul style="list-style-type: none"> <li>Povucite lijevu/desnu ručicu prema rukovatelju i zatim ju otpustite. Ako indikator stanja svijetli zeleno, kosilica je spremna za vožnju.</li> </ul>
	<ul style="list-style-type: none"> <li>Kvar elektroničkih komponenti papučice gasa.</li> </ul>	<ul style="list-style-type: none"> <li>Obratite se kvalificiranom servisnom tehničaru radi popravka.</li> </ul>
	<ul style="list-style-type: none"> <li>Sustav sigurnosnog blokiranja sjedala odvojio se za vrijeme vožnje po neravnom terenu.</li> </ul>	<ul style="list-style-type: none"> <li>Uklonite bateriju iz kosilice i rastavite sjedalo obrnutim redoslijedom od uputa iz odjeljka „<b>UGRADNJA SJEDALA</b>“ u ovom priručniku kako biste bili sigurni da je kabelski utikač pravilno spojen na utičnicu u donjem dijelu sjedala. Ponovno sastavite sjedalo i slijedite upute iz odjeljka „<b>POKRETANJE KOSILICE</b>“ kako biste ponovno pokrenuli kosilicu i provjerili može li se pokrenuti. Ako ne, obratite se ovlaštenom servisnom tehničaru i zatražite njezin popravak.</li> </ul>
	<ul style="list-style-type: none"> <li>Težina rukovatelja nije ravnomjerno raspoređena na sjedalu. Težina rukovatelja na sjedalu mora biti najmanje 20 kg kako bi sustav sigurnosnog blokiranja sjedala pravilno radio</li> </ul>	<ul style="list-style-type: none"> <li>Propisno sjednite na sjedalo, povucite lijevu/desnu ili obje ručice prema rukovatelju i pustite ih, kosilica će nakon toga biti spremna za vožnju.</li> </ul>
	<ul style="list-style-type: none"> <li>Papučica parkirne kočnice je utisnuta kako bi se smanjila brzina vožnje. Nakon što je papučica parkirne kočnice dovoljno duboko utisnuta, ali ne i do položaja za parkiranje, kosilica će se zaustaviti.</li> </ul>	<ul style="list-style-type: none"> <li>Ako je potrebno, odvojite i ponovno pričvrstite bateriju.</li> <li>Slijedite upute u "<b>POKRETANJE KOSILICE</b>" za ponovno pokretanje.</li> </ul>
Način vožnje ne može se podešavati u vožnji.	<ul style="list-style-type: none"> <li>To je značajka traktorske kosilice s okretom u mjestu koja osigurava sigurnu vožnju.</li> </ul>	<ul style="list-style-type: none"> <li>Funkcija će se aktivirati samo kada se kotači kosilice zaustave.</li> </ul>



PROBLEM	UZROK	RJEŠENJE
Traktorska kosilica s okretom u mjestu ne pokreće noževe kada je aktivirana sklopka za PTO.  Trepće ikona PTO sklopke	<ul style="list-style-type: none"> <li>Kombinirani kapacitet u Ah umetnutih baterija ne ispunjava zahtjev.</li> </ul>	<ul style="list-style-type: none"> <li>Da biste mogli pokrenuti kosilicu, upotrijebite dovoljno EGO baterija prema uputama u odjeljku "POSTAVLJANJE/ODVAJANJE BATERIJSKOG MODULA" u ovom priručniku.</li> </ul>
	<ul style="list-style-type: none"> <li>Sklopka za PTO nije gurnuta prema dolje pri zadnjem isključivanju kosilice.</li> </ul>	<ul style="list-style-type: none"> <li>Gurnite sklopku za PTO prema dolje, a zatim gore za ponovno pokretanje motora noža.</li> </ul>
	<ul style="list-style-type: none"> <li>Kosilica je preopterećena u trenutku kada se noževi počinju okretati čime se aktivira samozaštita motora.</li> </ul>	<ul style="list-style-type: none"> <li>Košnju trave kosilicom prvo pokrenite s manjom brzinom noža i nemojte povećavati brzinu noža dok se noževi uspješno ne zavrte.</li> </ul>
	<ul style="list-style-type: none"> <li>U slučaju iznimno hladnog vremena, motor noža možda se neće uspješno pokrenuti zbog zaštite od niskih temperatura.</li> </ul>	<ul style="list-style-type: none"> <li>Kosilicu i bateriju obavezno čuvajte u toplom okruženju. Ponovno pokrenite kosilicu nakon što se zagrije. Ako je jako hladno, nemojte je uzastopno pokušavati pokrenuti, jer to može dovesti do oštećenja stroja.</li> </ul>
	<ul style="list-style-type: none"> <li>Nož dolazi u doticaj s izobličenim trupom kosilice</li> </ul>	<ul style="list-style-type: none"> <li>Pozovite servisni centar tvrtke EGO.</li> </ul>
	<ul style="list-style-type: none"> <li>Kosilica vozi brzinom za "VOŽNJU".</li> </ul>	<ul style="list-style-type: none"> <li>Kada kosilica vozi brzinom za "VOŽNJU", motori noža automatski će se zaustaviti.</li> </ul>

PROBLEM	UZROK	RJEŠENJE
Noževi se zaustavljaju tijekom košenja trave.	<ul style="list-style-type: none"> <li>▪ Kosilica je preopterećena.</li> </ul>	<ul style="list-style-type: none"> <li>▪ Podignite visinu košnje na trupu ili usporite brzinu vožnje kako biste smanjili opterećenje kosilice.</li> </ul>
	<ul style="list-style-type: none"> <li>▪ Trup kosilice je začepljen travom i ostalim nečistoćama.</li> </ul>	<ul style="list-style-type: none"> <li>▪ Očistite trup kosilice i osigurajte dovoljno mjesta za pomicanje noževa.</li> </ul>
	<ul style="list-style-type: none"> <li>▪ Kosilica se pregrijava.</li> </ul>	<ul style="list-style-type: none"> <li>▪ Smanjite opterećenje na kosilicu podizanjem visine košnje na trupu ili usporavanjem brzine noža/vožnje te omogućite hlađenje kosilice.</li> </ul>
	<ul style="list-style-type: none"> <li>▪ Baterijski moduli u baterijskom pretincu kosilice se pregrijavaju, zbog čega kombinirani kapacitet svih umetnutih baterija u Ah ne ispunjava zahtjev.</li> </ul>	<ol style="list-style-type: none"> <li>1. Kosilica može nastaviti s radom ako kombinirani kapacitet baterija u Ah, ne računajući pregrijanu bateriju, ispunjava zahtjev. Nakon što se pregrijana baterija vrati na normalnu temperaturu, odmah će se pridružiti punjenju kosilice.</li> </ol>
		<ol style="list-style-type: none"> <li>2. Ako je kombinirani kapacitet baterija ne ispunjava zahtjev, kosilica neće raditi sve dok u prazna mjesta za baterije ne umetnete još baterijskih modula.</li> </ol>
		<ol style="list-style-type: none"> <li>3. Smanjite opterećenje na kosilicu podizanjem visine košnje na trupu ili usporavanjem košnje pri nastavku rada.</li> </ol>
	<ul style="list-style-type: none"> <li>▪ Kosilica je u načinu rada Limp Home.</li> </ul>	<ul style="list-style-type: none"> <li>▪ Kad je kosilica u načinu rada Limp Home, noževi automatski prelaze u način rada za sporu vrtnju. Rukovatelj treba prestati s radom i što prije se odveti na mjesto za punjenje baterije.</li> </ul>
	<ul style="list-style-type: none"> <li>▪ Kosilicu je udario strani predmet, zbog čega se aktivirala zaštita motora.</li> </ul>	<ul style="list-style-type: none"> <li>▪ Gurnite sklopku za PTO prema dolje, a zatim gore za ponovno pokretanje motora noža.</li> </ul>
<ul style="list-style-type: none"> <li>▪ Brzina kosilice je podešena na način rada "VOŽNJA".</li> </ul>	<ul style="list-style-type: none"> <li>▪ Kada je brzina kosilice u načinu rada "VOŽNJA", motori noževa automatski će se zaustaviti.</li> </ul>	
<b>HR</b> Zvučni signal se nastavlja oglašavati.	<ul style="list-style-type: none"> <li>▪ Kosilica je u načinu rada Limp-home, a noževi nisu isključeni.</li> </ul>	<ul style="list-style-type: none"> <li>▪ Pritisnite sklopku za PTO prema dolje da biste isključili motore noža. Zvučni signal prestat će se oglašavati nakon što se motori noža isključe.</li> </ul>
	<ul style="list-style-type: none"> <li>▪ Kosilica prestaje s radom na nagibu, a rukovatelj ne sjedi na sjedalu, pri čemu papučica parkirne kočnice nije u položaju za kočenje.</li> </ul>	<ul style="list-style-type: none"> <li>▪ Prije nego što kosilicu ostavite na nagibu, papučicu parkirne kočnice postavite u položaj kočenja.</li> </ul>

PROBLEM	UZROK	RJEŠENJE
Dok je kosilica isključena, indikatori baterije i dalje svijetle.	<ul style="list-style-type: none"> <li>U slučaju isključivanja kosilice na tlu bez prethodnog odvajanja baterijskih modula od kosilice, indikatori baterije, gumb za pokretanje/zaustavljanje i gumb CCS nastaviti će svijetliti neko vrijeme.</li> </ul>	<ul style="list-style-type: none"> <li>Ne morate učiniti ništa. Indikatori baterije će se ugasiti kada se kosilica isključi nakon nekog vremena. Konkretno vrijeme potražite u odjeljku <b>"ZAUSTAVLJANJE KOSILICE"</b>.</li> </ul>
	<ul style="list-style-type: none"> <li>U slučaju isključivanja kosilice na nagibu, pri čemu parkirna kočnica nije u položaju za kočenje, indikatori baterije nastaviti će svijetliti sve dok se baterija ne isprazni. Istovremeno će se nastaviti oglašavati zvučni signal.</li> </ul>	<ul style="list-style-type: none"> <li>Prije nego što kosilicu ostavite na nagibu, papučicu parkirne kočnice postavite u položaj kočenja.</li> </ul>
LCD zaslon ne svijetli, a sve su ikone uključene.	<ul style="list-style-type: none"> <li>Gumb za pokretanje/zaustavljanje pritisnut je dovoljno dugo.</li> </ul>	<ul style="list-style-type: none"> <li>Na LCD zaslonu „mjerač goriva” prikazat će se tek nakon kratkog pritiska na tipku Start/Stop.</li> </ul>
		<ul style="list-style-type: none"> <li>LCD zaslon će se uključiti nakon pritiska tipke Start/Stop koji traje dovoljno dugo.</li> </ul>
Kosilica kosi neravnomjerno, uz značajnu razliku u visini između prednje i stražnje strane.	<ul style="list-style-type: none"> <li>Noževi su tupi.</li> </ul>	<ul style="list-style-type: none"> <li>Rezni nož naoštrite ili zamijenite u skladu s uputama iz ovog priručnika.</li> </ul>
	<ul style="list-style-type: none"> <li>Noževi su savijeni.</li> </ul>	<ul style="list-style-type: none"> <li>Savijeni nož zamijenite u skladu s uputama iz odjeljka <b>„ZAMJENA NOŽEVA“</b>.</li> </ul>
	<ul style="list-style-type: none"> <li>Trup kosilice nije u ravnini, zbog čega dolazi do različitih visina otkosa.</li> </ul>	<ul style="list-style-type: none"> <li>Trup kosilice spustite u skladu s uputama iz odjeljka <b>„NIVELIRANJE TRUPA KOSILICE“</b>.</li> </ul>
Stvarna visina košnje nije u skladu s predviđenom.	<ul style="list-style-type: none"> <li>Vijci trupa kosilice su otpušteni na sponi ovjesa</li> </ul>	<ul style="list-style-type: none"> <li>Slijedite upute iz odjeljka <b>„NIVELIRANJE TRUPA KOSILICE“</b> kako biste ga podesili prema naprijed–natrag i čvrsto zategnute matice na polužju ovjesa.</li> </ul>
	<ul style="list-style-type: none"> <li>Trup kosilice je oštećen ili jako istrošen.</li> </ul>	<ul style="list-style-type: none"> <li>Slijedite upute iz odjeljka <b>„UKLANJANJE TRUPA KOSILICE“</b> kako biste zamijenili trup kosilice.</li> </ul>
Kosilica ne malčira kako treba.	<ul style="list-style-type: none"> <li>Mokri komadići trave zalijepljeni su za podnožje trupa.</li> </ul>	<ul style="list-style-type: none"> <li>Pričekajte da se trava osuši, zatim nastavite s košnjom.</li> </ul>
	<ul style="list-style-type: none"> <li>Kosilica je postavljena za košnju prevelike količine trave odjednom.</li> </ul>	<ul style="list-style-type: none"> <li>Podignite visinu košnje na trupu.</li> </ul>

PROBLEM	UZROK	RJEŠENJE
Prekomjerne vibracije.	<ul style="list-style-type: none"> <li>▪ Rezni noževi su olabavljeni.</li> </ul>	<ul style="list-style-type: none"> <li>▪ Zategnite vijak noža preporučenim momentom.</li> </ul>
	<ul style="list-style-type: none"> <li>▪ Noževi su savijeni.</li> </ul>	<ul style="list-style-type: none"> <li>▪ Savijeni nož zamijenite u skladu s uputama iz odjeljka „<b>ZAMJENA NOŽEVA</b>“.</li> </ul>
	<ul style="list-style-type: none"> <li>▪ Trup kosilice nije u ravnini.</li> </ul>	<ul style="list-style-type: none"> <li>▪ Trup kosilice spustite u skladu s uputama iz odjeljka „<b>NIVELIRANJE TRUPA KOSILICE</b>“.</li> </ul>
	<ul style="list-style-type: none"> <li>▪ Vijci trupa kosilice su otpušteni na sponi ovjesa.</li> </ul>	<ul style="list-style-type: none"> <li>▪ Zategnite matice na polužju ovjesa.</li> </ul>
	<ul style="list-style-type: none"> <li>▪ Kosilica je postavljena za košnju prevelike količine trave odjednom.</li> </ul>	<ul style="list-style-type: none"> <li>▪ Podignite visinu košnje na trupu.</li> </ul>
Na tlu nakon košnje ostaje trava ili otpad.	<ul style="list-style-type: none"> <li>▪ Kosilica je postavljena za košnju prevelike količine visoke trave odjednom.</li> </ul>	<ul style="list-style-type: none"> <li>▪ Započnite s većom visinom košnje i smanjite je dok ne postignete željeni rezultat. Travu višu od 152 mm treba pokositi dvaput, drugi put s manjom visinom košnje.</li> </ul>
	<ul style="list-style-type: none"> <li>▪ Trava je mokra.</li> </ul>	<ul style="list-style-type: none"> <li>▪ Travu nemojte kositi ako je mokra; pričekajte da se osuši.</li> </ul>
	<ul style="list-style-type: none"> <li>▪ Brzina vožnje je visoka.</li> </ul>	<ul style="list-style-type: none"> <li>▪ Smanjite brzinu vožnje.</li> </ul>
	<ul style="list-style-type: none"> <li>▪ Brzina noža je niska.</li> </ul>	<ul style="list-style-type: none"> <li>▪ Postupno povećavajte brzinu vrtnje noža.</li> </ul>
Kosilica radi kratko s ugrađenom baterijom.	<ul style="list-style-type: none"> <li>▪ Teren travnjaka, stanje trave, podešavanje visine rezanja, brzina vožnje, brzina noža itd. uvelike će utjecati na vrijeme rada.</li> </ul>	<ul style="list-style-type: none"> <li>▪ Podignite visinu košnje na trupu i usporite brzinu noža kako biste smanjili opterećenje košnje.</li> </ul>
Kosilica se ne kreće ravno.	<ul style="list-style-type: none"> <li>▪ Tlakovi u gumama lijevog i desnog stražnjeg kotača se razlikuju.</li> </ul>	<ul style="list-style-type: none"> <li>▪ Provjerite i podesite tlak zraka u obje gume stražnjih kotača u skladu s preporukama iz odjeljka „<b>TEHNIČKI PODACI</b>“.</li> </ul>
	<ul style="list-style-type: none"> <li>▪ Brzina vrtnje lijevog i desnog stražnjeg kotača se razlikuje.</li> </ul>	<ul style="list-style-type: none"> <li>▪ Kalibrirajte kolo upravljača kosilice u skladu s uputama iz odjeljka „<b>KALIBRIRANJE SUSTAVA PRAĆENJA KOSILICE</b>“.</li> </ul>
Papučica parkirne kočnice ne može se otpustiti iz položaja kočenja ili se sporo vraća.	<ul style="list-style-type: none"> <li>▪ Ispod papučice parkirne kočnice možda je dospio otpad ili prljavština.</li> </ul>	<ul style="list-style-type: none"> <li>▪ Otvorite kutiju papučice parkirne kočnice, temeljito je očistite iznutra i ponovno je zatvorite. Ponovno postavite papučicu parkirne kočnice kako biste vidjeli je li problem riješen. Ako ne, obratite se ovlaštenom servisnom tehničaru i zatražite njezin popravak.</li> </ul>

PROBLEM	UZROK	RJEŠENJE
Kosilica se ne puni putem priključka za punjenje, a indikator stanja kosilice svijetli crveno.	<ul style="list-style-type: none"> <li>Utikač punjača nije pravilno umetnut u priključak za punjenje kosilice.</li> </ul>	<ul style="list-style-type: none"> <li>Ponovno spojite utikač punjača kako biste vidjeli može li se kosilica normalno puniti.</li> </ul>
	<ul style="list-style-type: none"> <li>U zidnim utičnicama nema struje.</li> </ul>	<ul style="list-style-type: none"> <li>Ne morate učiniti ništa. Pričekajte oporavak napajanja.</li> </ul>
	<ul style="list-style-type: none"> <li>Neispravnost punjača.</li> </ul>	<ul style="list-style-type: none"> <li>Pozovite EGO službu za korisnike radi pregleda i popravka punjača, ako se pokaže potreba za tim.</li> </ul>
	<ul style="list-style-type: none"> <li>Priključak za punjenje kosilice je neispravan.</li> </ul>	<ul style="list-style-type: none"> <li>Pozovite servisni centar tvrtke EGO.</li> </ul>
Vrijeme punjenja putem priključka za punjenje kosilice je predugo.	<ul style="list-style-type: none"> <li>Punjenje EGO adapterom ACA1000 zahtijeva puno vremena.</li> </ul>	<ul style="list-style-type: none"> <li>Za izravno punjenje traktorske kosilice s okretom u mjestu upotrijebite EGO punjač CHV1600E.</li> </ul>
Priključak za punjenje kosilice ne uspijeva napuniti bateriju do kraja.	<ul style="list-style-type: none"> <li>Pogreška u programskim datotekama kosilice ili kvar baterije ili punjača.</li> </ul>	<ul style="list-style-type: none"> <li>Resetirajte punjač tako da ga iskopčate i ponovno ukopčate nakon nekoliko minuta. Utikač zatim ponovno utaknite u strujnu utičnicu. Ako to ne riješi problem, pozovite servisni centar tvrtke EGO.</li> </ul>
Kosilica se ne može pokrenuti nakon čišćenja.	<ul style="list-style-type: none"> <li>Nepropisno čišćenje, uključujući ulazak vode u električne komponente, LCD zaslon itd.</li> </ul>	<ul style="list-style-type: none"> <li>Slijedite upute u odjeljku "<b>OPĆE ODRŽAVANJE</b>" kako biste pravilno očistili kosilicu.</li> </ul>
		<ul style="list-style-type: none"> <li>Ako kosilica slučajno ostane na kiši, ostavite je na otvorenom da se osuši ili je ispušite komprimiranim zrakom.</li> </ul>
Platforma kosilice brzo se začepljuje.	<ul style="list-style-type: none"> <li>Trup kosilice nije propisno očišćen nakon prethodne uporabe.</li> </ul>	<ul style="list-style-type: none"> <li>Nakon svake upotrebe, trup kosilice očistite u skladu s uputama iz odjeljka "<b>ČIŠĆENJE TRUPA KOSILICE POMOĆU PRIKLJUČKA ZA PRANJE</b>".</li> </ul>
Kosilica lako gubi vuču pri penjanju uzbrdo.	<ul style="list-style-type: none"> <li>Gume stražnjih kotača su istrošene.</li> </ul>	<ul style="list-style-type: none"> <li>Zatražite pomoć lokalnog servisa za zamjenu kotača.</li> </ul>
	<ul style="list-style-type: none"> <li>Košnja na strmoj padini.</li> </ul>	<ul style="list-style-type: none"> <li>Kosilica se ne smije koristiti za košnju kosina strmijih od propisanog kuta.</li> </ul>
Nakon zaustavljanja kosilice na nagibu uz pritisnutu parkirnu kočnicu, kosilica može kliziti niz nagib.	<ul style="list-style-type: none"> <li>Komponente kočnica iznimno su istrošene zbog nepravilnog rada kosilice.</li> </ul>	<ul style="list-style-type: none"> <li>Pozovite servisni centar tvrtke EGO radi popravka.</li> </ul>

PROBLEM	UZROK	RJEŠENJE
Iz otvora za pranje ne dolazi voda prilikom pokušaja pranja platforme.	<ul style="list-style-type: none"> <li>Brza spojnica priključka za pranje nije propisno montirana na priključak za pranje.</li> </ul>	<ul style="list-style-type: none"> <li>Ponovno spojite spojnicu priključka za pranje sve dok nakon čvrstog pritiska ne začujete jasan klik. Ako to ne daje rezultat, pozovite servisni centar tvrtke EGO.</li> </ul>
Kada ručno gurnete kosilicu bez pokretanja, čuje se nenormalan zvuk.	<ul style="list-style-type: none"> <li>Iz magneta u pogonskom motoru dopire zvuk.</li> </ul>	<ul style="list-style-type: none"> <li>Nije potrebno poduzimati ništa; to je normalno.</li> </ul>
Kolo upravljača se ne može okretati.	<ul style="list-style-type: none"> <li>Sklop kola upravljača zaglavljene je otpadom.</li> </ul>	<ul style="list-style-type: none"> <li>Provjerite i uklonite ostatke.</li> </ul>
Kosilica se ne okreće lijevo/desno kada se kolo upravljača okreće.	<ul style="list-style-type: none"> <li>Kvar elektroničkih ili mehaničkih komponenti.</li> </ul>	<ul style="list-style-type: none"> <li>Pozovite servisni centar tvrtke EGO radi popravka.</li> </ul>
Kosilica se ne zaustavlja prilikom otpuštanja papučice gasa.	<ul style="list-style-type: none"> <li>Povratni put papučice gasa zaglavljene je otpadom.</li> </ul>	<ul style="list-style-type: none"> <li>Provjerite i uklonite ostatke.</li> </ul>
	<ul style="list-style-type: none"> <li>Gumb CCS se nehotično je pritisnut za vrijeme vožnje. Kosilica je u načinu rada s tempomatom</li> </ul>	<ul style="list-style-type: none"> <li>Provjerite svijetli li ikona CCS na LCD zaslonu i po potrebi izađite iz CCS-a. Pogledajte poglavlje <b>"KORIŠTENJE TEMPOMATA (CCS)"</b></li> </ul>
CCS funkcija se ne može aktivirati ili isključiti.	<ul style="list-style-type: none"> <li>Gumb CCS nije pravilno pritisnut.</li> </ul>	<ul style="list-style-type: none"> <li>Držite pritisnutim gumb CCS dok ikona CCS ne zasvijetli na LCD zaslonu ili nestane s LCD zaslona.</li> </ul>
Kosilica ne može voziti unatrag kada se lijeva/desna ručica povuče prema rukovatelju.	<ul style="list-style-type: none"> <li>Indikator stanja kosilice ne pokazuje zeleno i kosilica nije spremna za vožnju.</li> </ul>	<ul style="list-style-type: none"> <li>Slijedite odjeljak "POKRETANJE KOSILICE" kako bi indikator stanja kosilice zasvijetlio zeleno, kosilica će biti spremna za vožnju.</li> </ul>
	<ul style="list-style-type: none"> <li>Lijeva/desna ručica ne povlači se ispravno prema rukovatelju.</li> </ul>	<ul style="list-style-type: none"> <li>Povucite lijevu ili desnu ručicu ili istodobno obje ručice prema rukovatelju dok se ne začuje zvuk "klika".</li> </ul>
	<ul style="list-style-type: none"> <li>Lijeva/desna ručica ne drži se povučena prema rukovatelju.</li> </ul>	<ul style="list-style-type: none"> <li>Za vožnju unatrag, barem jedna ručica mora se držati povučena prema rukovatelju.</li> </ul>
	<ul style="list-style-type: none"> <li>Lijeva/desna ručica je slomljena.</li> </ul>	<ul style="list-style-type: none"> <li>Obratite se kvalificiranom servisnom tehničaru radi popravka.</li> </ul>

## STATUSNE REFERENCE I ŠIFRE KVAROVA KOSILICE

LCD zaslon	Opis	Šifra kvara na LCD-u	Indikator stanja kosilice	Zvučni signal	Uzrok	Rješenje
	Na LCD zaslonu prikazuje se ikona LED svjetla	nedostupno	ISKLJUČENO	Ne	Radna, bočna i stražnja svjetla uključuje sklopka LED svjetla.	To je normalan rad. Ne morate učiniti ništa.
	Na LCD zaslonu prikazuje se ikona za USB	nedostupno	ISKLJUČENO	Ne	Ikona USB-a svijetli, označavajući kako USB uređaj može raditi nakon pravilnog pokretanja kosilice.	To je normalan rad. Ne morate učiniti ništa.
	Na LCD zaslonu prikazuje se ikona mjerača goriva	nedostupno	ISKLJUČENO	Ne	Označava prosječan kapacitet napunjenosti umetnutih baterija	To je normalan rad. Ne morate učiniti ništa.
	Na LCD zaslonu prikazuje se ikona brojila sati rada.	nedostupno	ISKLJUČENO	Ne	Prikazuje ukupno vrijeme vožnje kosilice u satima i ne može se ponovno postaviti.	To je normalan rad. Ne morate učiniti ništa.
	Na ECO rasponu prikazat će se ikona indikatora opterećenja.	nedostupno	ISKLJUČENO	Ne	Označava trenutačno opterećenje kosilice.	To je normalan rad. Ne morate učiniti ništa.
	Na LCD zaslonu prikazuje se ikona za vožnju unatrag.	nedostupno	ISKLJUČENO	Ne	Označava da se kosilica vozi unatrag.	To je normalan rad. Ne morate učiniti ništa.
	Zatreptat će ikona sigurnosnog ključa.	nedostupno	ISKLJUČENO	Ne	Sigurnosni ključ nije umetnut.	Utaknite sigurnosni ključ i zatim pritisnite i držite tipku START/STOP kako biste uključili kosilicu.
					Sklop kutije s upravljačkom pločom s tipkama je slomljen.	Popravke treba izvršiti ovlašteni servisni tehničar.

LCD zaslon	Opis	Šifra kvara na LCD-u	Indikator stanja kosilice	Zvučni signal	Uzrok	Rješenje
	Ikona određenog odjeljka za baterije trepće.	nedostupno	ISKLJUČENO	Ne	Prekoračenje struje za određenu bateriju tijekom pražnjenja.	Ne morate učiniti ništa. Kosilica može nastaviti s radom ako kombinirani kapacitet baterija u Ah, ne računajući bateriju s previsokom strujom, ispunjava zahtjev. Nakon što se baterija s previsokom strujom vrati u normalu, odmah će se pridružiti napajanju kosilice i ikona će nestati.
	Zatreptat će ikona praznog odjeljka za bateriju.	nedostupno	ISKLJUČENO	Ne	Kapacitet baterije nije dovoljan za rad kosilice.	Da biste mogli pokrenuti kosilicu, upotrijebite dovoljno EGO baterija prema uputama u odjeljku "POSTAVLJANJE/ODVAJANJE BATERIJSKOG MODULA" u ovom priručniku.
	Indikator preopterećenja će treptati	nedostupno	Treperi crveno	Jedan signal	<p>Motor noža je preopterećen.</p> <p>Bočni ispusni žlijeb začepljen je travom i otpadom.</p> <p>Postoji smetnja između noža i trupa kosilice.</p>	<p>Podignite visinu košnje na trupu ili usporite brzinu vožnje kako biste smanjili opterećenje kosilice.</p> <p>Očistite bočni ispusni žlijeb nakon svake uporabe.</p> <p>Obratite se servisnom centru tvrtke EGO</p>



LCD zaslon	Opis	Šifra kvara na LCD-u	Indikator stanja kosilice	Zvučni signal	Uzrok	Rješenje
	Ikona temperature trepće.	nedostupno	ISKLUČENO	Jedan signal	Kosilica se pregrijava.	Smanjite opterećenje na kosilicu podizanjem visine košnje na trupu ili usporavanjem brzine noža/vožnje. Odmorite i pričekajte da se kosilica ohladi.
					Kosilica je prehladna.	Nemojte ponavljati pokušaje koji mogu oštetiti stroj. Kosilicu i bateriju čuvajte u toplom okruženju. Ponovno pokrenite kosilicu nakon što se zagrije.
	Istovremeno trepće ikona temperature i konkretnog popunjenog baterijskog pretinca.	nedostupno	ISKLUČENO	Ne	Baterijski modul u odgovarajućem. Numerirani odjeljak za baterije se pregrijava.	1. Kosilica može nastaviti s radom ako kombinirani kapacitet baterija u Ah, ne računajući pregrijanu bateriju, ispunjava zahtjev. Nakon što se pregrijana baterija vrati na normalnu temperaturu, odmah će se pridružiti punjenju kosilice.
						2. Ako kombinirani kapacitet u Ah nije dovoljan, kosilica neće raditi sve dok u prazna mjesta za baterije ne stavite još baterijskih modula.
						3. Smanjite opterećenje na kosilicu podizanjem visine košnje na trupu ili usporavanjem košnje pri nastavku rada.

LCD zaslon	Opis	Šifra kvara na LCD-u	Indikator stanja kosilice	Zvučni signal	Uzrok	Rješenje
	Na LCD zaslonu istovremeno, svake sekunde trepću ikone konkretnog popunjenog pretinca za bateriju, indikator slabog napajanja i mjerac goriva. Trepće i prvi LED mjerača goriva i indikatora stanja.	nedostupno	Treperi crveno	Signal se neće zaustaviti dok ne pritisnete PTO sklopku.	Baterijski moduli su gotovo prazni i kosilica je u načinu rada Limp Home.	Prestanite s radom i vratite se na mjesto za punjenje baterije. <b>NAPOMENA:</b> Kada je kosilica u načinu rada Limp Home, noževi automatski prelaze u način rada za sporo okretanje u kojemu ne kose travu, a zvučni signal se pritom nastavlja oglašavati. Rukovatelj treba pritisnuti PTO sklopku prema dolje kako bi isključio motore noževa. Zvučni signal prestat će se oglašavati nakon što se noževi zaustave.
	Ikona svakog popunjenog odjeljka za baterije i indikatora niskog napajanja trepće svakih pola sekunde, prvi LED za mjerac goriva također će treptati crveno svakih pola sekunde.	nedostupno	Treperi crveno	Signal se stalno ponavlja	Baterijski moduli su gotovo prazni.	Kosilica će odmah prestat s radom. Rukovatelj treba premjestiti kosilicu na mjesto za punjenje baterije.
	Na LCD-u treperi ikona automatskog parkiranja.	nedostupno	ISKLJUČENO	Signal se stalno ponavlja	Kosilica je parkirana na kosini, a rukovatelj napušta kosilicu bez postavljanja papučice parkirne kočnice u položaj za kočenje.	Papučicu kočnice stavite u položaj kočenja. Ikona automatskog parkiranja će se isključiti, a zvučni signal prestat će se oglašavati.
	Na LCD-u se prikazuje ikona papučice kočnice.	nedostupno	ISKLJUČENO	Ne	Papučica parkirne kočnice postavljena je u položaj kočenja.	Otpustite je prije pokretanja kosilice.

**NAPOMENA:** Ako se na LCD zaslonu pojavi kôd greške, uklonite sve baterijske module i ponovno ih umetnite nakon nekoliko minuta. Ako se time ne riješi problem, slijedite rješavanje problema prema kodu greške u nastavku.

LCD zaslon	Opis	Šifra kvara na LCD-u	Indikator stanja kosilice	Zvučni signal	Uzrok	Rješenje
	Na LCD-u se prikazuje ikona senzora sjedala.	nedostupno	ISKLJUČENO	Ne	Rukovatelj napušta sjedalo ili je sustav sigurnosnog blokiranja sjedala isključen.	Ako ikona svijetli dok rukovatelj sjedi na sjedalu, odmah prekinite rad kosilice i provjerite priključak sjedala. Ako je priključak sjedala na kosilicu ispravan, obratite se ovlaštenom servisnom tehničaru i zatražite njezin popravak.
	Trepće ikona PTO sklopke	nedostupno	ISKLJUČENO	Ne	Prekinut je rad motora noža, a PTO sklopka nije postavljena u isključeni položaj.	Prije ponovnog pokretanja kosilice, pritisnite sklopku za PTO prema dolje da biste isključili motore noža. Provjerite odjeljak „RJEŠAVANJE PROBLEMA“ u priručniku zbog referenci.
	Ikona regeneracije energije trepće povremeno.	nedostupno	ISKLJUČENO	Ne	Kinetička energija generirana tijekom kočenja ili vožnje nizbrdo pretvorena je u struju za punjenje baterijskih modula.	To je normalan rad. Ne morate učiniti ništa.
	Trepće ikona za CCS	nedostupno	ISKLJUČENO	Ne	Funkcija CCS (tempomat) ne radi.	Funkcija CCS ne može se postaviti kada kosilica vozi vrlo malom brzinom ili kada vozi unatrag.

LCD zaslon	Opis	Šifra kvara na LCD-u	Indikator stanja kosilice	Zvučni signal	Uzrok	Rješenje	
Pogledajte „Šifre kvarova“	Lijevi pogonski motor se ne okreće.	PCBA upravljani lijevi pogonski motor ne radi.	413	ISKLJUČENO	Jedan signal	Kvar PCBA-a	Popravke treba izvršiti ovlašteni servisni tehničar.
		Utikač (trofazni, naponski kabel) koji povezuje lijevi pogonski motor s pripadajućim PCBA-om je olabavio.	317	ISKLJUČENO	Jedan signal	Otpušten spoj	
		Utikač (šest izvoda, signalni kabel) koji povezuje lijevi pogonski motor s pripadajućim PCBA-om je olabavio.	301	ISKLJUČENO	Jedan signal	Otpušten spoj	
		Lijevi pogonski motor ne radi.	317	ISKLJUČENO	Jedan signal	Kvar motora	

LCD zaslon	Opis	Šifra kvara na LCD-u	Indikator stanja kosilice	Zvučni signal	Uzrok	Rješenje	
Pogledajte „Šifre kvarova“	Desni pogonski motor se ne okreće.	PCBA upravljani desni pogonski motor ne radi.	313	ISKLJUČENO	Jedan signal	Kvar PCBA-a	Popravke treba izvršiti ovlašteni servisni tehničar.
		Utikač (trofazni, naponski kabel) koji povezuje desni pogonski motor s pripadajućim PCBA-om je olabavio.	417	ISKLJUČENO	Jedan signal	Otpušten spoj	
		Utikač (šest izvoda, signalni kabel) koji povezuje desni pogonski motor s pripadajućim PCBA-om je olabavio.	401	ISKLJUČENO	Jedan signal	Otpušten spoj	
		Desni pogonski motor ne radi.	417	ISKLJUČENO	Jedan signal	Kvar motora	
Pogledajte „Šifre kvarova“	Lijevi motor noža se ne okreće.	PCBA upravljani lijevi motor noža ne radi	607	nedostupno	Jedan signal	Kvar PCBA-a	Popravke treba izvršiti ovlašteni servisni tehničar.
		Utikač (trofazni, kabel za napajanje) koji povezuje motor lijevog noža s pripadajućim PCBA-om se olabavio.	509	nedostupno	Jedan signal	Otpušten spoj	Prvo pregledajte nož. Ako je olabavljen, zategnite vijak preporučenim momentom. U suprotnom, popravke treba izvršiti ovlašteni servisni tehničar.
		Lijevi motor noža ne radi	509	nedostupno	Jedan signal	Kvar motora	

LCD zaslon	Opis		Šifra kvara na LCD-u	Indikator stanja kosilice	Zvučni signal	Uzrok	Rješenje
Pogledajte „Šifre kvarova“	Desni motor noža se ne okreće	PCBA upravljani desni motor noža ne radi	507	nedostupno	Jedan signal	Kvar PCBA-a	Popravke treba izvršiti ovlašteni servisni tehničar.
		Utikač (trofazni, kabel za napajanje) koji povezuje motor desnog noža s pripadajućim PCBA-om se olabavio.	609	nedostupno	Jedan signal	Otpušten spoj	Prvo pregledajte nož. Ako je olabavljen, zategnite vijak preporučenim momentom. U suprotnom, popravke treba izvršiti ovlašteni servisni tehničar.
		Desni motor noža ne radi.	609	nedostupno	Jedan signal	Kvar motora	
Pogledajte „Šifre kvarova“	Papučica gasa ne radi		311/ 411 307/ 407	ISKLUČENO	Jedan signal	Kvar PCBA-a Otpušten spoj	Popravke treba izvršiti ovlašteni servisni tehničar.
Pogledajte „Šifre kvarova“	Kolo upravljača ne radi		312/ 412	ISKLUČENO	Jedan signal	Kvar PCBA-a Otpušten spoj	Popravke treba izvršiti ovlašteni servisni tehničar.
Pogledajte „Šifre kvarova“	Parkirna kočnica ne radi; kosilica se ne može voziti.	PCBA parkirne kočnice, u sklopu prednjeg okvira, neispravan je.	309/ 409	ISKLUČENO	Jedan signal	Kvar PCBA-a	Popravke treba izvršiti ovlašteni servisni tehničar.
		Sklopka i/ili kabel parkirne kočnice je neispravan.	801	ISKLUČENO	Jedan signal	Pogreška kabela/sklopke	

LCD zaslon	Opis	Šifra kvara na LCD-u	Indikator stanja kosilice	Zvučni signal	Uzrok	Rješenje
ISKLUČENO	Greška priključka za punjenje	nedostupno	Stalno svijetli CRVENO	nedostupno	Priključak za punjenje nije u otvorenom krugu.	Popravke treba izvršiti ovlašteni servisni tehničar.
		nedostupno	Stalno svijetli CRVENO	nedostupno	Nema napajanja.	Provjerite zidnu utičnicu kako biste se uvjerali daje li napon 220 – 240 V i je li utičnica ispravna.
		nedostupno	Stalno svijetli CRVENO	nedostupno	Osigurač je pregorio.	Popravke treba izvršiti ovlašteni servisni tehničar.
Pogledajte „Šifre kvarova“	Greška priključka za punjenje	204	nedostupno	Jedan signal	Priključak za punjenje nije u otvorenom krugu.	Popravke treba izvršiti ovlašteni servisni tehničar.
Pogledajte „Šifre kvarova“	Sklop kućišta baterije ne radi.	217	nedostupno	Jedan signal	Izvor napajanja sklopa kućišta baterije je oštećen. Prednja LED svjetla i USB ne rade.	Popravke treba izvršiti ovlašteni servisni tehničar.
		310/ 410	ISKLUČENO	Jedan signal	Veza između Type C kabela iz sklopa kućišta baterije i drugih Type C kabela kosilice ne radi.	
		201/ 202/ 203	ISKLUČENO	Jedan signal	BMS sklopa kućišta baterije je oštećen.	
Pogledajte „Šifre kvarova“	Greška sklopke Start/Stop	314/ 414	ISKLUČENO	Jedan signal	Kvar PCBA-a sklopke ili neispravna kabela veza sa sklopkom za pokretanje/ zaustavljanje.	Popravke treba izvršiti ovlašteni servisni tehničar.

LCD zaslon	Opis	Šifra kvara na LCD-u	Indikator stanja kosilice	Zvučni signal	Uzrok	Rješenje
Pogledajte „Šifre kvarova“	Greška LCD zaslona	315/ 415	ISKLJUČENO	Jedan signal	Sklop LCD-a je oštećen ili je kabela veza sa sklopom LCD-a neispravna.	Popravke treba izvršiti ovlašteni servisni tehničar.

## JAMSTVO

### PRAVILA U VEZI JAMSTVA PROIZVOĐAČA EGO

Cjelokupne uvjete i odredbe jamstvene politike proizvođača EGO potražite na internetskoj stranici [egopowerplus.com](http://egopowerplus.com).



# წაიკითხეთ მთლიანი ინსტრუქცია!



გაეცანით მომხმარებლის ინსტრუქციას

## უსაფრთხოების სიმბოლოები

უსაფრთხოების სიმბოლოების მიზანია ყურადღების გამახვილება შესაძლო საფრთხეებზე. ყურადღებით გაეცანით უსაფრთხოების სიმბოლოებს და მათ შესაბამის განმარტებებს. საშიშროების აღმნიშვნელი სიმბოლოები თავისთავად არ ანეიტრალებს რაიმე საფრთხის არსებობის რისკს. მათ მიერ მოწოდებული მითითებები და გაფრთხილებები არ არიან შემთხვევის თავიდან აცილების სწორი პროცედურის შემცველები.

**⚠ გაფრთხილება:** მოწყობილობის გამოყენებამდე ყურადღებით გაეცანით აღნიშნულ სახელმძღვანელოში მოცემულ უსაფრთხოების წესებს, მათ შორის ყველა უსაფრთხოების სიმბოლოს, როგორცაა „საშიშროება“, „გაფრთხილება“ და „ყურადღება“. ქვემოთ ჩამოთვლილი მითითებების შეუსრულებლობამ შეიძლება გამოიწვიოს დენის დარტყმა, ცეცხლის გაჩენა და / ან სერიოზული სხეულის დაზიანება.

## სიმბოლოების მნიშვნელობა

აღნიშნულ გვერდზე მოცემულია და განმარტებულია ის უსაფრთხოების სიმბოლოები, რომლებიც დაიტანება პროდუქტის ეტიკეტზე. გაეცანით და მიყევით მოწყობილობის ინსტრუქციას მის აწყობამდე და ჩართვამდე .

## უსაფრთხოების სიმბოლოები



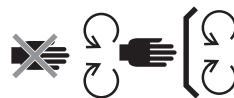
განგაშის სიგნალი



წაიკითხეთ და გაეცანით მომხმარებლის სახელმძღვანელოს.



თვალის დაცვა



დამცავი მექანიზმის ტექნიკური მომსახურება



საშიშროება- ციცაბო ფერდობი



საშიშროება- მოარიდეთ სხვა პირები მჭრელ კომპონენტებს.



არ დასვათ ბავშვები



გაიხედეთ უკან უკუსვლით მოძრაობისას.



ყურადღება - არ გამოიყენოთ ეს მანქანა ფერდობებზე 12° -ზე მეტი დახრით



საშიშროება- გამოტყორცნილი საგნები

KA



გაფრთხილება-მოარიდეთ ხელები და ფეხები მჭრელ ნაწილებს.



გარანტირებული ხმის სიმძლავრის დონე. ევროკავშირის რეგულაციების შესაბამისად.



სამუშაო ტერიტორიაზე არ დაიშვებიან სხვა პირები.



პროდუქტის ნარჩენები არ გადაყაროთ საყოფაცხოვრებო ნარჩენებთან ერთად. წაიღეთ შესაბამის გადამამუშავებელ საწარმოში.



აღნიშნული პროდუქტი აკმაყოფილებს ევროსაბჭოს დირექტივების მოთხოვნებს.



ფრთხილად – არ უყუროთ ლამფას მუშაობის პროცესში.



მუდმივი დენი



აღნიშნული პროდუქტი აკმაყოფილებს გაერთიანებული სამეფოს კანონმდებლობით დადგენილ მოთხოვნებს.

კვა

კილოპასკალი

ბრ/წთ

ბრუნი წუთში

ვ

ვოლტი

მ

მეტრი

დუიმი

დიუმი

სმ

სანტიმეტრი

ნმ

ნიუტონ მეტრი

მმ

მილიმეტრი

°C

ცელსიუსი

კვ

კილოგრამი

კმ/სთ

კილომეტრი საათში

IPX4

წყლის შეღწევისგან დაცვა

## უსაფრთხოების სიმბოლოები



ინფორმაცია უნდა აღინიშნოს



მითითებული მოქმედება ჩერდება

KA

## სპეციფიკაციები

მაბვა	56 ვოლტი	
ქვედა ნაწილის ზომა	107 სმ	
ბორბლის ზომა	წინა	279,4 x 101,6 – 127 მმ
	უკანა	457,2 x 241,3 – 203,2 მმ
ცივი საბურავის წნევა	წინა	222,1 კპა
	უკანა	110,3 კპა
მოხვევის რადიუსი	0	
მჭრელი პირის ბრუნვის სიჩქარე(ბრუნის წუთში)	2400; 2600; 2800; 3000	
მომრაობის მაქსიმალური სიჩქარე	წინსვლა	4.8 კმ/სთ, 8.1 კმ/სთ, 9.7 კმ/სთ, 11.3 კმ/სთ (12.8 კმ/სთ სამგზავრო რეჟიმში)
	უკუსვლა	5,6 კმ/სთ -მდე
მიმდინარეობს დამუხტვა	დამტენი (არასავალდებულო)	CHV1600E
	გადამყვანი (არასავალდებულო)	ACA1000
	ჰაერის მუხტის ტემპერატურა	-5°C–40°C
ჭრის სიმაღლის რეგულირება (10 პოზიცია)	25- 100 მმ	
საექსპლუატაციო ტემპერატურა	-0°C–40°C	
შენახვის ტემპერატურა	-20°C–70°C	
წონა (აკუმულატორების ბლოკის გარეშე)	196 კგ	

გაზომილი ხმის სიმძლავრის დონე $L_{WA}$	96,44 დბ(A) K=0,68 დბ(A)	
ბგერის წნევის დონე მომხმარებლის ყურზე $L_{PA}$	84,3 დბ(A) K=3,0 დბ(A)	
გარანტირებული ხმის სიმძლავრის დონე $L_{WA}$ (გაზომილი 2000/14/EC რეგულაციის მიხედვით)	100 დბ(A)	
ვიბრაცია $a_h$	ხელი	1,221 მ/წმ <sup>2</sup> K=1,5 მ/წმ <sup>2</sup>
	სხეული	0,568 მ/წმ <sup>2</sup> K=1,5 მ/წმ <sup>2</sup>

- მითითებული ვიბრაციის სრული სიდიდე გაზომილია სტანდარტული ტესტირების მეთოდის გამოყენებით და შესაძლოა გამოყენებულ იქნას ერთი მოწყობილობის მეორესთან შედარებისას;
- მითითებული ვიბრაციის სრული სიდიდე ასევე შესაძლოა გამოყენებულ იქნას ზემოქმედების წინასწარი შეფასებისას.

**შენიშვნა:** ელექტრო ხელსაწყოს ფაქტობრივი გამოყენებისას ვიბრაციის ემისია შესაძლოა განსხვავდებოდეს მითითებული სიდიდისგან; მომხმარებელმა მოწყობილობით სარგებლობისას საჭიროა გამოიყენოს ხელთათმანები და სმენის დამცავი საშუალებები.

## რეკომენდირებული აქსესუარები

**▲ გაფრთხილება:** გამოიყენეთ მხოლოდ ქვემოთ მითითებული იდენტური სათადარიგო ნაწილები. ისეთი ნაწილების გამოყენებამ, რომლებიც არ აკმაყოფილებს ორიგინალური ნაწილების სპეციფიკაციებს, შესაძლოა გამოიწვიოს მოწყობილობის არასათანადო მუშაობა და უსაფრთხოების ნორმების დარღვევა.

KA

ნაწილის დასახელება	მოდელის ნომერი
სტანდარტული მჭრელი პირი	AB4200
მაღალი მჭრელი პირი	AB4201
მულჩირების მოწყობილობა	AMP4200
ბალახის შესაგროვებელი კონტეინერი	ABK4200-A
უკანა ზამპერი	AMB1000
სათავსო ყუთი	AMG1000
მზისგან დამცავი	AMS1000

## აღწერა

### იცნობდეთ თქვენს ბალახის საკრეჭ მანქანას (ნახ. A1)

1. სავარძელი
2. დატენვის პორტი
3. კვების ბლოკი
4. LED უკანა ფარები
5. სათავსოს სივრცე
6. LED გვერდითი განათება
7. უკანა თვალი (წამყვანი თვალი)
8. რეცხვის პორტი
9. ქვედა ნაწილი
10. ქვედა ნაწილის დამცავი
11. სკალპირების საწინააღმდეგო ბორბალი
12. წინა ბორბალი
13. სადგომი მუხრუჭის პედალი
14. დღის სვლის ნათურები
15. LED წინა ფარები
16. ამჩქარებელი პედლები
17. პედალი
18. გვერდითი დაცლის ღარი

19. ჭრის სიმაღლის მარეგულირებელი
20. დასაჯდომი ადგილის რეგულირების ღილაკი
21. საჭე
22. მარჯვენა გვერდითი ყუთი
23. სავარძლის სიმაღლის მარეგულირებელი
24. სიმძლავრის ასართმევი ღილაკი
25. ჩართვა -გამორთვის ღილაკი
26. უსაფრთხოების გასაღები
27. ტელეფონის შესანახი
28. ჭიქის დამჭერები
29. მარცხენა პედალი
30. ბალახის საკრეჭი მანქანის სტატუსის ინდიკატორი
31. LCD ეკრანი
32. მარჯვენა პედალი
33. მჭრელი პირების მოძრაობის სიჩქარის რეგულირების ღილაკი
34. CCS ღილაკი
35. მართვის რეჟიმის ღილაკი
36. LED განათების ჩამრთველი
37. მოძრაობის სიჩქარის რეგულირების ღილაკი
38. კვების ბლოკის ხუფის მოხსნის ღილაკი
39. კვების ბლოკის ხუფი
40. დენის წყარო ექვსი ბატარეის სექციით
41. აკუმულატორის გამშვები ღილაკი
42. გადასაბმელი მოწყობილობა
43. შეერთების სქემა
44. USB პორტი

### იცნობდეთ თქვენს LCD ეკრანს (ნახ. A2)

LCD ეკრანზე გამოტანილი ხატულებისა და ინდიკატორების შესახებ დამატებით ინფორმაციისთვის იხილეთ პუნქტი - „ბალახის საჭრელი მანქანის სტატუსის ინდიკატორი და დაზიანების კოდი“.

1. უკუსვლის ხატულა

2. CCS ხატულა
3. უსაფრთხოების გასაღების ხატულა
4. LED განათების ხატულა
5. ავტომატური პარკირების ხატულა
6. USB ხატულა
7. მჭრელი პირების ბრუნვის სიჩქარის მაჩვენებელი
8. დამცავი მექანიზმის სტატუსის ინდიკატორი
9. ამპერსაათის მრიცხველი
10. თავისუფალი აკუმულატორის ნაკვეთურის ხატულა
11. ტემპერატურის ხატულა
12. გამოყენებული აკუმულატორის ნაკვეთურის ხატულა
13. მართვის რეჟიმი
14. შეცდომის კოდის ინდიკატორი
15. გადატვირთვის ინდიკატორი
16. დაბალი სიმძლავრის ინდიკატორი
17. საწვავის დონის მაჩვენებელი
18. დატვირთვის მაჩვენებელი
19. მოძრაობის სიჩქარის ინდიკატორი

## შეფუთვიდან ამოღება

**შენიშვნა:** შეინახეთ შესაფუთი მასალა პროდუქტის ყურადღრებით შემოწმებამდე და გამოყენებამდე. იმ შემთხვევაში, თუ შეფუთვის ფურცელში მითითებული რომელიმე ნაწილი დამონტაჟებულია მოწყობილობაზე, დაუყოვნებლივ დაუკავშირდით EGO სამსახურს.

**შენიშვნა:** ქვემოთ მოცემულ შეფუთვის ფურცელში მითითებული ინსტრუმენტების გარდა, სახელმძღვანელოში ყველა სხვა ინსტრუმენტი უბრალოდ რეკომენდაციის სახითაა აღნიშნული, მაგრამ არ არის გათვალისწინებული.

**შენიშვნა:** არ ამოიღოთ ქაფის ბლოკი საჭეს, ვიდრე არ მოხდება საჭის სწორად მონტაჟი. გადაადგილების დროს ვიბრაციამ შეიძლება გამოიწვიოს საჭის დაზიანება.

### შეფუთვის ელემენტები (სურ. B)

B-1	მოხვევის ნულოვანი რადიუსის მქონე ბალახის საკრეჭი მანქანა	B-2	სავარძელი
B-3	მულჩირების მოწყობილობა	B-4	ექვსწახნაგათავიანი ხრახნები (2 სათადარიგო)
B-5	ექვსწახნაგა შლიცის გასაღები	B-6	სოკეტი ქანჩი
B-7	ღიახახიანი ქანჩის გასაღები	B-8	უსაფრთხოების გასაღები
B-9	რეცხვის პორტის მართვითი მოწყობილობა	B-10	ოპერატორის სახელმძღვანელო

## ნაკრები

### სკამის მონტაჟება (სურ. C1 -C4)

**▲ გაფრთხილება:** დამცავი ბლოკირების სისტემა არ უნდა იყოს გამორთული. წინააღმდეგ შემთხვევაში, ბალახის საკრეჭი მანქანა შეიძლება მოულოდნელად ჩაირთოს, რამაც შეიძლება გამოიწვიოს სხეულის დაზიანება.

**შენიშვნა:** თქვენი უსაფრთხოებისათვის, საკრეჭი მანქანა გაჩერდება, თუ მართვისას სავარძლის ჩამრთველი გაითიშა. აღნიშნულ შემთხვევაში, დამატებითი ინფორმაციისთვის იხილეთ პუნქტი „შეცდომებისა და დეფექტების აღმოჩენა და გამოსწორება“.

C1-1	როზეტი	C1-2	შტეკერი
------	--------	------	---------

KA



C1-3	სადენი	C2-1	სავარძელის მკლავი
C2-2	დაკიდების სისტემა	C2-3	ექვსწახნაგა შლიცის გასაღები
C2-4	ექვსწახნაგათავიანი ხრახნები	C2-5	სავარძლის სიმაღლის მარეგულირებელი
C3-1	ფოლადის ძელაკები	C3-2	ექვსწახნაგა შლიცის გასაღები
C3-3	ექვსწახნაგათავიანი ხრახნები	C4-1	კაუჭი

### საჭის მონტაჟი (სურ. C5 – C6)

C5-1	ჩამკეტი ჭანჭიკი	C5-2	ბარი
C6-1	დამჭერი ბლოკი	C6-2	ნასვრეტი
C6-3	საჭის პროტექტორი		

### მულჩირების მოწყობილობის დამაგრება (სურ. C7)

C7-1	გვერდითი დაცლის ღარი	C7-2	მულჩირების მოწყობილობა
C7-3	რესორი		

## რეგულირება

### რეგულირებამდე (სურ. D1)

### კრეჭვის სიმაღლის რეგულირება (სურ. D2)

KA

### სკალპირების საწინააღმდეგო მოწყობილობის რეგულირება (სურ. D3 – D6)

D3-1	სკალპირების საწინააღმდეგო ბორბალი	D5-1	ქანჩი
D5-2	ყრუ ჭანჭიკი	D6-1	ქვედა ნაწილის სიმაღლის მონიშვნა

### სავარძლის რეგულირება (სურ. D7)

D7-1	სავარძლის სიმაღლის მარეგულირებელი	D7-2	დასაჯდომი ადგილის რეგულირების ღილაკი
------	-----------------------------------	------	--------------------------------------

### საჭის რეგულირება (სურ. D8)

D8-1	ჩამკეტი ჭანჭიკი	D8-2	ბარი
D8-3	დამჭერი ბლოკი	D8-4	ნასვრეტი

## ექსპლუატაცია

### ექსპლუატაციამდე შემოწმება (სურ. E1)

### სადგომი მუხრუჭის რეგულირება (სურ. E2)

E2-1	თავისუფალი პოზიცია	E2-2	სამუხრუჭე პოზიცია
------	--------------------	------	-------------------

**შენიშვნა:** არასოდეს დააჭიროთ პარკირების სამუხრუჭე პედლებს სიჩქარის შესანელებლად. მას შემდეგ, რაც პარკირების სამუხრუჭე პედლებს საკმარისად დააჭერთ, მაგრამ არა პარკირების სრულ პოზიციაზე, ბალახის საკრეჭი შეწყვეტს მოძრაობას ბრტყელ ზედაპირზე, მაგრამ თუ ეს ფერდობზე მოხდება, ის შეიძლება ფერდობზე ჩასრივდეს.

### აკუმულატორის ბლოკის დამაგრება/ მოხსნა (E3 – E6)

ამ ბალახის საკრეჭის მანქანის ჩასართავად საჭიროა 15 ა/სთ (2 X BA4200/BA4200T) ან

მეტი სიმძლავრის EGO აკუმულატორები. საუკეთესო შედეგებისთვის, რეკომენდებულია 30 ან მეტი ა/სთ EGO აკუმულატორების გამოყენება.

E3-1	ხუფის მოხსნის დილაკი	E5-1	აკუმულატორის მოხსნის დილაკი
------	----------------------	------	-----------------------------

### ბალახის საკრეჭელას დატენვას

გამოიყენეთ მხოლოდ რეკომენდებული აკუმულატორების ბლოკები და დამტენები:

- დატენეთ აკუმულატორების ბლოკ (ებ)ი ცალ-ცალკე (სურ. E7)

**შენიშვნა:** დეტალური მითითებებისთვის იხილეთ აკუმულატორისა და დამტენის სახელმძღვანელოები.

- აკუმულატორების ბლოკ(ებ)ის დატენვა შესაძლებელია დატენვის პორტის საშუალებით (სურ. E8-E10)

E10-1	მტვერდამცავი	E10-2	დატენვის პორტი
-------	--------------	-------	----------------

### დამცავი ბლოკირების სისტემის

#### ტესტირება

- შეამოწმეთ მჭრელი პირების სისტემა (სურ. E11 – E12).
- შეამოწმეთ მართვის სისტემა (სურ. E13 – E14)

იმ შემთხვევაში, თუ მძღოლის ადგომის დროს მჭრელი პირები და / ან მართვის სისტემა არ გამოირთო, აგრეთვე თუ მიზეზი ვერ დადგინდა სავარძლის შტეკერისა და როზეტის შეერთების შემოწმების შემდეგ, დაუყოვნებლივ დაუკავშირდით EGO-ს კლიენტთა მომსახურების განყოფილებას.

#### მუშაობის დაწყებამდე შემოწმება

- მოარიდეთ სამუშაო ადგილს ბავშვები, სხვა პირები და შინაური ცხოველები.
- გაასუფთავეთ სამუშაო ადგილი იმ საგნებისგან, რომლებიც შეიძლება აისხლიტოს მჭრელმა პირებმა.

- ბალახის საკრეჭელას მოარიდეთ ნამტვრევები.
- შეამოწმეთ ზონარების და სხვა მსგავსი ელემენტების არსებობა.
- შეამოწმეთ და დარწმუნდით, რომ ყველა დამცავი ელემენტი ადგილზეა და მუშაობს გამართულად.
- ვიზუალურად შეამოწმეთ საბურავები, ხომ არ არის დაშვებული.
- შეამოწმეთ მუხრუჭები.
- დაარეგულირეთ ბაქანის სიმაღლე ჭრის სასურველ პოზიციაზე, რომელიც საუკეთესოდ შეეფერება გაზონს და შესაბამისად დაარეგულირეთ ცვეთის საწინააღმდეგო ბორბლები.
- დაარეგულირეთ სკამის პოზიცია და დარწმუნდით, რომ ორივე პედალზე წვდომა შეგიძლიათ.
- საჭიროების მიხედვით დაარეგულირეთ საჭე სასურველ პოზიციაზე.
- შეამოწმეთ აკუმულატორის დამუხტვის დონე.
- შეამოწმეთ დამცავი ბლოკირების სისტემა.

### ბალახის საკრეჭის ამუშავება

(სურ. E15 – სურ. E16)

**⚠ გაფრთხილება:** მოერიდეთ მკვეთრ მოძრაობებს, გაჩერებას და მოხვევებს, აგრეთვე გადაჭარბებულ სიჩქარეს, განსაკუთრებით მაშინ, თუ პირველად მართავთ ბალახის საკრეჭ მანქანას. ბალახის საკრეჭ მანქანას შეუძლია სწრაფად მობრუნება, რამაც შეიძლება დაგაკარგვინოთ კონტროლი და გამოიწვიოს სხეულის სერიოზული დაზიანება და / ან ზარალი.

**⚠ გაფრთხილება:** სათიბის ამუშავებამდე, შეამოწმეთ და დარწმუნდით, რომ ბასრი პირები გათიშულია ბოლო 5 წმ-ს განმავლობაში PTO გადამრთველის ქვევით დაწვევის დროს. თუ პირების მოძრაობა არ გაჩერდა, არ გამოიყენოთ ბალახის საკრეჭი მანქანა და დაუყოვნებლივ დაუკავშირდით

KA

EGO– ს კლიენტთა მომსახურების განყოფილებას.

**შენიშვნა:** მოძრაობის ყველაზე დაბალ სიჩქარესთან და სტანდარტული მართვის რეჟიმთან დაკავშირებით იხილეთ სურ. E17 და სურ. E18, სანამ სრულყოფილად არ შეძლებთ ბალახის საკრეჭი მანქანის მართვას ყველა სიტუაციაში.

ბალახის საკრეჭი მანქანა შეინახავს და აჩვენებს წინა მართვის რეჟიმს, მართვის სიჩქარეს და საჭეზე დაკალიბრებას მისი გადატვირთვის დროს.

**მოძრაობის სიჩქარის რეგულირება (სურ. E17)**

- **კონტროლი:** ახალი მომხმარებლებისთვის და ბალახის დაცვის მიზნით რეკომენდებულია დაბალი სიჩქარე, ნაკლები მანევრულობა და ზომიერი მოხვევის სიჩქარე.
- **სტანდარტული:** იდეალურია ყოველდღიური გამოყენებისთვის.
- **სპორტული:** მოყვარულთათვის და მაქსიმალური ეფექტურობის მისაღწევად ნებადართულია მაღალი სიჩქარე, ზუსტი მანევრულობა და მკვეთრი მოხვევა.

**შენიშვნა:** მართვის დროს მართვის რეჟიმის რეგულირება შეუძლებელია. ფუნქცია გააქტიურდება მხოლოდ მაშინ, როცა ბალახის საკრეჭი მანქანის ბორბლები გაჩერებულია.

**მოძრაობის სიჩქარის რეგულირება (სურ. E18)**

**შენიშვნა:** "TURBO" რეჟიმში ყოფნის დროს, დააჭირეთ "-" მოძრაობის სიჩქარე დაბრუნდება წინა რეჟიმზე.

**მჭრელი პირების მოძრაობის სიჩქარის რეგულირება (სურ. E19)**

**LED განათების ხატულა**

KA

- წინა, გვერდითი და უკანა ფარები კონტროლდება LED განათების ჩამრთველით.
- მართვის დროს სვლის ნათურები ყოველთვის ჩართული უნდა იყოს.
- უკუსვლით მოძრაობისას, უკანა

ფარები, თუ გამორთულია, ჩართეთ გაფრთხილების მიზნით; თუ უკანა ფარები ჩართულია, არ გამორთოთ.

- გარკვეული პერიოდი უმოქმედობის შემდეგ ბალახის საკრეჭის ავტომატურად გამორთვის შემთხვევაში ყველა განათება ავტომატურად გამოირთვება.

**USB პორტი**

**შენიშვნა:** USB პორტი უზრუნველყოფს 5 VDC დატენვის სიმძლავრეს საერთო 1.5 ამპერამდე და იტენება მხოლოდ მაშინ, როდესაც ბალახის საკრეჭი მანქანა ჩართულია.

**ბალახის საკრეჭი მანქანის შეჩერება (სურ. E20)**

**შენიშვნა:** 60 წუთზე მეტი ხნით გაჩერების შემთხვევაში, ბალახის საკრეჭი მანქანა ავტომატურად გამოირთვება.

**ავარიული რეჟიმი**

როდესაც ბატარეის მუხტი კრიტიკულად დაბალი ხდება, ბალახის საკრეჭი მანქანა გადადის ავარიულ რეჟიმზე, რათა შეინარჩუნოს საკმარისი ძალა, რომ დაბრუნდეს დატენვის ზონაში.

- მჭრელი პირები გადადიან დაბალი როტაციის სიჩქარეზე და შეუძლიათ მოჭრან ბალახის ძალიან მცირე რაოდენობა. მაღალი და უხეში ბალახის შეხვედრისთანავე, პირები შეწყვეტენ ბრუნვას. აუდიო მაჩვენებელი გამოსცემს წყვეტილ ბგერებს (წრიპინებს).
- ბალახის საკრეჭი მანქანის სტატუსის ინდიკატორი წითლად ანათებს ყოველ წამს, საწვავის დონის მაჩვენებელი და დაბალი სიმძლავრის მაჩვენებელი ორივე იციმციმებს.

ოპერატორმა უნდა:

- დააჭიროს PTO გადამრთველს ქვემოთ რომ გათიშოს პირების მოძრაობა. ხმოვანი ინდიკატორი შეწყვეტს ხმაურს, როდესაც გაჩერდება მჭრელი პირები.
- შეწყვიტეთ მუშაობა და დაუყოვნებლივ გასწიეთ დატენვის ზონაში. ბალახის



საკრეჭ მანქანას შეუძლია დაფაროს მაქს. 1000 მ.

თითქმის დაცლილი აკუმულატორის შემთხვევაში, თითოეული სააკუმულატორო ნაკვეთურის ხატულა და დაბალი სიმძლავრის მაჩვენებელი ყოველ ნახევარ წამში ციმციმებს. ბალახის საკრეჭი მანქანა მყისიერად გაჩერდება. ოპერატორმა ბალახის საკრეჭი მანქანა დასატენად უნდა გადაიყვანოს აკუმულატორის დატენვის ზონაში.

**შენიშვნა:** ხელით მიწოლის აუცილებლობის შემთხვევაში, გათიშეთ აკუმულატორები და სადგომი მუხრუჭის პედალი გამორთეთ სამუხრუჭე პოზიციიდან.

### ბალახის საკრეჭი მანქანის ტარება (სურ. E21)

**▲ საშიშროება:** არ მიუახლოვდეთ თხრილებს, ციცაბო დაღმართებს ან წყალს სულ მცირე თიბვის ორი სიგანის მანძილზე. წინა ბორბლები ბრუნავს, როცა ბალახის საკრეჭი მანქანა გაჩერებულია, მუხრუჭის გამოყენების შემთხვევაშიც კი, ამიტომ მანქანა შეიძლება გადავიდეს კიდეზე ან ჩაგორდეს წყალში და გამოიწვიოს სიკვდილი ან სხეულის სერიოზული დაზიანება.

**▲ გაფრთხილება:** უკუსვლით მოძრაობის დაწყებამდე გაიხედეთ ბალახის საკრეჭი მანქანის უკან. ნუ მოჭრით ბალახს უკუსვლით, გადაუდებელი აუცილებლობის გარეშე. ყოველთვის იყურეთ ქვევით და უკან, უკუსვლით მოძრაობის დროს და მის დაწყებამდე, რათა დარწმუნდეთ, რომ ბავშვები, სხვა პირები ან შინაური ცხოველები არ იმყოფებიან სამუშაო ტერიტორიაზე. დაიმახსოვრეთ რომ წამიერმა უყურადღებობამაც კი შესაძლოა გამოიწვიოს სიკვდილი ან სხეულის სერიოზული დაზიანება.

**▲ გაფრთხილება:** არ გამოიყენოთ აღნიშნული მანქანა გზის სავალ ნაწილზე.

**▲ გაფრთხილება:** ბლოკირების ან უცხო საგანთან დაჯახების შემდეგ გამორთეთ ძრავა და მოხსენით აკუმულატორები. მოაშორეთ მოჭრილი ბალახები, ფოთლები, მიწა და ნებისმიერი სხვა დაგროვილი ნარჩენები; ყოველი გამოყენების წინ ყურადღებით შეამოწმეთ, ხომ არ დაზიანდა მანქანა, შეაკეთეთ დაზიანება.

### კრუიზ კონტროლის (CCS) გამოყენება მართვის დროს CCS- ის აქტივაცია (სურ. E22)

**შენიშვნა:** LCD ეკრანზე ნაჩვენები მართვის სიჩქარე შეიძლება ზუსტად არ ასახავდეს კრუიზ კონტროლში ბალახის საკრეჭი მანქანის მართვის რეალურ სიჩქარეს. დააჭირეთ სიჩქარის კორექტირების ღილაკს ("←" ან "→") LCD ეკრანზე მართვის სიჩქარის დონის "განახლებისა" და რეგულირებისთვის.

**CCS-დან გასასვლელად და ბალახის საკრეჭი მანქანის შესაჩერებლად,** შეგიძლიათ აირჩიოთ ოთხიდან ერთი გზა:

- მსუბუქად დააჭირეთ აჩქარების პედალს და შემდეგ აუშვით მას.
- მოსწოეთ მარცხენა/მარჯვენა პედალი (პედლები) ოპერატორისკენ და შემდეგ აუშვით.
- დააჭირეთ სადგომი მუხრუჭის პედალს.
- დააჭირეთ CCS ღილაკს.

**შენიშვნა:** დააჭირეთ აჩქარების პედლას ბოლომდე, რომ მიაღწიოთ CCS-ის მიმდინარე სიჩქარეს და გააგრძელოთ დაჭერა. CCS ფუნქცია შეჩერდება და ბალახის საკრეჭი მანქანა გააგრძელებს მართვას მიმდინარე სიჩქარით.

## ტექნიკური მომსახურება

**▲ გაფრთხილება:** ყოველთვის გაიკეთეთ სათვალე გვერდითი დამცავი ფარებით. წინააღმდეგ შემთხვევაში, თვალში შეიძლება მოგხვდეთ სხვადასხვა საგანი,

KA

რამაც შეიძლება გამოიწვიოს სერიოზული დაზიანება.

**▲ გაფრთხილება:** ბალახის საკრეჭი მანქანის მჭრელი პირების ტექნიკური მომსახურებისას ყოველთვის გაიკეთეთ მძიმე პირობებში მუშაობისთვის განკუთვნილი ხელთათმანები ან შეფუთეთ მჭრელი პირები ნაჭრებით ან სხვა მასალით. ამოიღეთ უსაფრთხოების გასაღები და აკუმულატორების ბლოკი ბალახის საკრეჭი მანქანის შეკეთებისას ან ტრანსპორტირებისას.

ინტერვალი ტექნიკურ მომსახურებებს შორის	ტექნიკური მომსახურების პროცედურა
ყოველი გამოყენების წინ ან ყოველდღიურად	<ul style="list-style-type: none"> <li>შეამოწმეთ დამცავი ბლოკირების სისტემა.</li> <li>ვიზუალურად შეამოწმეთ საბურავები, ხომ არ არის დაშვებული.</li> <li>შეამოწმეთ მჭრელი პირები.</li> <li>შეამოწმეთ მთლიანი მოწყობილობა, ხომ არ არის დაზიანებული, დაკარგული ან მოშვებული მისი ნაწილები, როგორცაა გვერდითი დაცლის ღარი, ხრახნები, ქანჩები, ჭანჭიკები, ხუფები და ა.შ. დარწმუნდით, რომ ყველა დამცავი მოწყობილობა ადგილზეა და გამართულად მუშაობას.</li> <li>შეამოწმეთ და დარწმუნდით, რომ აჩქარების პედლების დაჭერა და აშვება გამართულად ხდება.</li> <li>შეამოწმეთ საჭის ამორტიზატორები. საჭე უნდა ტრიალებდეს გარკვეული წინააღმდეგობით.</li> </ul>
ყოველი გამოყენების შემდეგ	<ul style="list-style-type: none"> <li>გასაუფთავეთ ბალახის საკრეჭი მანქანის ბაქანი.</li> </ul>
ყოველ 25 საათში	<ul style="list-style-type: none"> <li>შეამოწმეთ საბურავის წნევა.</li> </ul>

ყოველ 100 საათში	<ul style="list-style-type: none"> <li>შეამოწმეთ უკანა ბორბლები, დარწმუნდით, რომ ბორბლის ქანჩები სათანადოდ არის მოჭერილი, რეკომენდებული მატრუნი მომენტით.</li> </ul>
ყოველ 200 საათში	<ul style="list-style-type: none"> <li>შეამოწმეთ წინა ბორბლები, ხომ თავისუფლად ტრიალებენ.</li> </ul>
შენახვამდე	<ul style="list-style-type: none"> <li>მოხსენით აკუმულატორი ბალახის საკრეჭი მანქანიდან.</li> <li>მოხსენით დამცავი გასაღები ბალახის საკრეჭი მანქანიდან.</li> <li>შეასრულეთ ზემოთ ჩამოთვლილი ყველა ტექნიკური პროცედურა და საფუძვლიანად გაასუფთავეთ ბალახის საკრეჭი მანქანა.</li> <li>ყოველი გამოყენების წინ შეამოწმეთ მთლიანი ხელსაწყო შესაძლო დაზიანებულ, დაკარგულ ან მოშვებულ ნაწილებზე, შეცვალეთ ან დაუჭირეთ ისინი გამოყენებამდე.</li> </ul>
ყოველწლიურად	<ul style="list-style-type: none"> <li>შეამოწმეთ სადგომი მუხრუჭის პედალი. ამოიღეთ აკუმულატორი ბალახის საკრეჭი მანქანიდან და სადგომი მუხრუჭის პედალი გადართეთ სამუხრუჭე რეჟიმზე. ხელით მიაწეეთ ბალახის საკრეჭ მანქანას, ხომ არ მოძრაობს. თუ მოძრაობს, საჭიროა კვალიფიციური სპეციალისტის მომსახურება.</li> </ul>

## ზოგადი სახის ტექნიკური მომსახურება

**ბალახის საკრეჭი მანქანის კორპუსის გაწმენდა (სურ. F1 – F2)**

**გამოიყენეთ რეცხვის პორტი ბალახის საკრეჭი მანქანის ბაქანის გასაწმენდად (სურ. F3 – F4).**

KA

F2-1	რეცხვის პორტი	F2-2	რეცხვის პორტის მაერთებელი მოწყობილობა
F2-3	სარწყავი შლანგი		

**შენიშვნა:** დასუფთავების დასრულებისას, გამორთეთ ბალახის საკრეჭი მანქანა და შემდეგ მოხსენით ბალის შლანგი და სწრაფი კონექტორი.

### ბალახის საკრეჭი მანქანის ბაქნისა და მჭრელი პირების ტექნიკური მომსახურება

მომზადება (სურ. G1)

ბალახის საკრეჭი მანქანის ბაქნის მოხსნა (სურ. G2 – G3)

G2-1	ძრავის კაბელი	G2-2	საკიდრის ბერკეტი
G2-3	ჭილიბყურა		

**შენიშვნა:** ბალახის საკრეჭი მანქანის ქვედა ნაწილის მოხსნისას გათიშეთ ძრავის ყველა კაბელი და ჭილიბყურა.

მჭრელი პირების შეცვლა (სურ. G4 – G6)

G4-1	სტაბილიზატორი	G5-1	ჭანჭიკი
G5-2	საყელური	G5-3	მჭრელი პირი
G5-4	კიდე	G5-5	ღერძი

ბალახის საკრეჭი მანქანის ქვედა ნაწილის გასწორება.

- a. გასწორება (სურ. G7 – G9)
- b. გასწორებამდე
  - ცივი საბურავის წნევის შემოწმება (სურ. G10).
  - მჭრელი პირების შემოწმება. მოხსენით და შეცვალეთ გაცვეთილი, გაბზარული და / ან გაღუნული პირები საჭიროების შესაბამისად.
- c. გასწორებისთვის მომზადება (სურ. G11)
- d. როგორ გავასწოროთ

- გვერდითი ნაწილების რეგულირება (სურ. G12)
- წინა-უკანა ნაწილის რეგულირება (სურ. G13)

### ბალახის საკრეჭი მანქანის თვალთვალის სისტემის დაკალიბრება (სურ. H1 – H2)

**შენიშვნა:** ხმოვანი სიგნალი ჩაირთვება როგორც დაკალიბრების დაწყებისას, ასევე დაკალიბრების დასრულების შემდეგ.

**შენიშვნა:** დაკალიბრება, რომელიც შესრულდა მართვის ერთ-ერთი რეჟიმისთვის ("CONTROL", "STANDARD", "SPORT") შესაძლოა არ იყოს ხელმისაწვდომი დანარჩენი ორი რეჟიმისთვის. დაკალიბრეთ საჭე თითოეულ მართვის რეჟიმში დამოუკიდებლად, როგორც საჭიროა.

### ბალახის საკრეჭი მანქანის საწყის ქარხნულ პარამეტრებზე დაბრუნება (სურ. I)

**შენიშვნა:** ხმოვანი სიგნალი ჩაირთვება როგორც გადატვირთვის დაწყებისას, ასევე გადატვირთვის დასრულების შემდეგ.

**შენიშვნა:** როდესაც გადატვირთვა წარმატებულია, ქვემოთ პარამეტრები დაბრუნდება საწყის ქარხნულ პარამეტრებზე:

- მართვის რეჟიმი
- მოძრაობის სიჩქარე
- საჭის დაკალიბრება

## შენახვა და ტრანსპორტირება

### ბალახის საკრეჭი მანქანის ტრანსპორტირება (სურ. J1 – J5)

**შენიშვნა:** საჭიროების შემთხვევაში, დააფიქსირეთ ბალახის საკრეჭი მანქანა ღვედებით ან ტროსებით, რათა შეზღუდოთ მისი მოძრაობა ტრანსპორტირების დროს.

KA

## შენახვა (სურ. K1 – K2)

შენიშვნა: აკუმულატორების ბლოკების მოხსნასა და შენახვასთან დაკავშირებით გაეცანით შესაბამის ინსტრუქციებს.

შენახვის წინ გაასუფთავეთ და შეამოწმეთ ბალახის საკრეჭი მანქანა, იხილეთ „ბალახის საკრეჭი მანქანის გაწმენდა“ და „რეკომენდებული ტექნიკური მომსახურების განრიგ(ებ)ი“.

## გარემოს დაცვა



WEEE (ელექტრული მოწყობილობების ნარჩენების მართვა). არ მოათავსოთ ელექტრული მოწყობილობა, დამტენი და აკუმულატორი / მისი ბატარეები საყოფაცხოვრებო ნაგავში! მიუტანეთ ისინი ავტორიზირებულ ნარჩენების გადამამუშავებელს და მოახდინეთ ასეთი ნარჩენის განცალკევებულად შეგროვება. ელექტრო ხელსაწყოები უნდა ჩაბარდეს ნარჩენების გადამამუშავებელ ობიექტს.



## დეფექტების აღმოჩენა და გამოსწორება

პრობლემა	მიზეზი	გადაჭრის გზა
<p>მოხვევის ნულოვანი რადიუსის მქონე ბალახის საკრეჭ მანქანას ვერ მართავთ, როდესაც ამჩქარებლის პედლებზე დაჭერილია.</p>	<ul style="list-style-type: none"> <li>ჩამონტაჟებული აკუმულატორების კომბინირებული ა/სთ არ აკმაყოფილებს მოთხოვნას.</li> </ul>	<ul style="list-style-type: none"> <li>ბალახის საკრეჭის ასამუშავებლად გამოიყენეთ საკმარისი EGO აკუმულატორები ამ სახელმძღვანელოში “აკუმულატორის ბლოკის დაყენება/მოხსნა” ნაწილში მოცემული ინსტრუქციის შესაბამისად.</li> </ul>
	<ul style="list-style-type: none"> <li>სადგომი მუხრუჭის პედალი სამუხრუჭე პოზიციაშია.</li> </ul>	<ul style="list-style-type: none"> <li>სამუხრუჭე პოზიციიდან გამოსართავად კარგად დააჭირეთ სადგომი მუხრუჭის პედალს.</li> </ul>
	<ul style="list-style-type: none"> <li>ორივე მარცხენა და მარჯვენა პედლები არ არის ამოწეული ოპერატორისკენ ისე რომ ბალახის საკრეჭის სტატუსის მაჩვენებელი აენტოს მწვანედ ბალახის საკრეჭის ამუშავების დროს.</li> </ul>	<ul style="list-style-type: none"> <li>გადაწიეთ ორივე მარცხენა და მარჯვენა პედალი ოპერატორისკენ ერთდროულად და შემდეგ აუშვით. ბალახის საკრეჭი მანქანის სტატუსის მაჩვენებელი ანთია მწვანედ, რაც იმას ნიშნავს, რომ ბალახის საკრეჭი მზად არის ასამუშავებლად.</li> </ul>
	<ul style="list-style-type: none"> <li>მძლოლი არ ზის სავარძელზე.</li> </ul>	<ul style="list-style-type: none"> <li>ბალახის საკრეჭი მანქანის მართვა შესაძლებელია მხოლოდ იმ შემთხვევაში, თუ მძლოლი სწორად ზის სავარძელზე.</li> </ul>
	<ul style="list-style-type: none"> <li>სავარძლის ჩამრთველი არ არის სწორად დაკავშირებული.</li> </ul>	<ul style="list-style-type: none"> <li>ამოიღეთ აკუმულატორი ბალახის საკრეჭი მანქანიდან და დაშალეთ სავარძელი აღნიშნული სახელმძღვანელოს პუნქტით - „სავარძლის მონტაჟი“- გათვალისწინებული მითითებების შემზღუნებული წესით, რათა დარწმუნდეთ, რომ კაბელის შტეფსელი სწორად არის დაკავშირებული სავარძლის ქვედა ნაწილში არსებულ სოკეტთან. ხელახლა ააწყვეთ სავარძელი და მიჰყევით პუნქტით - „მოხვევის ნულოვანი რადიუსის მქონე ბალახის საკრეჭი მანქანის ამუშავება“ - გათვალისწინებულ მითითებებს, გადატვირთეთ ბალახის საკრეჭი მანქანა და შეამოწმეთ, თუ ამუშავდა. თუ არ ამუშავდა, დაუკავშირდით კვალიფიციურ სპეციალისტს.</li> </ul>
	<ul style="list-style-type: none"> <li>ძალიან ცივ ამინდში მართვის ფუნქცია შეიძლება შეფერხდეს დაბალი ტემპერატურის გამო.</li> </ul>	<ul style="list-style-type: none"> <li>ბალახის საკრეჭი მანქანა და აკუმულატორი შეინახეთ თბილ გარემოში. გახურების შემთხვევაში, გადატვირთეთ ბალახის საკრეჭი მანქანა. ძალიან ცივ ამინდში ჩართვის რამდენიმე მცდელობისას მანქანა შეიძლება დაზიანდეს.</li> </ul>
	<ul style="list-style-type: none"> <li>აჩქარების პედლის სამოდრო გზა გადაკეტილია ნარჩენებით.</li> </ul>	<ul style="list-style-type: none"> <li>დაათვალიერეთ და მოაშორეთ ნარჩენები.</li> </ul>
	<ul style="list-style-type: none"> <li>აჩქარების პედლის მექანიკური ან ელექტრო კომპონენტების ხარვეზი.</li> </ul>	<ul style="list-style-type: none"> <li>შესაკვებლად დაუკავშირდით კვალიფიციურ ტექნიკოსს.</li> </ul>

KA

პრობლემა	მიზეზი	გადაჭრის გზა
<p>მოხვევის ნულოვანი რადიუსის მქონე ბალახის საკრეჭი მანქანა გაჩერდება.</p>	<ul style="list-style-type: none"> <li>მარცხენა/მარჯვენა პედალი მოითხოვს "გადატვირთვას".</li> </ul>	<ul style="list-style-type: none"> <li>მოსწიეთ მარცხენა/მარჯვენა პერდლები ოპერატორისკენ და აუშვით ისინი. თუ სტატუსის ინდიკატორი მწვანეა, ბალახის საკრეჭი მანქანა მზად არის ამოქმედებისთვის.</li> </ul>
	<ul style="list-style-type: none"> <li>აჩქარების პედლის ელექტრო კომპონენტების ხრვევი.</li> </ul>	<ul style="list-style-type: none"> <li>შესაკუთებლად დაუკავშირდით კვალიფიციურ ტექნიკოსს.</li> </ul>
	<ul style="list-style-type: none"> <li>სავარძლის უსაფრთხო ჩაკეტვის სისტემა გამოირთო რთულ რელიეფზე მართვის დროს.</li> </ul>	<ul style="list-style-type: none"> <li>ამოიღეთ აკუმულატორი ბალახის საკრეჭი მანქანიდან და დაშალეთ სავარძელი აღნიშნული სახელმძღვანელოს პუნქტით - „<b>სავარძლის მონტაჟი</b>“ - გათვალისწინებული მითითებების შებრუნებული წესით, რათა დარწმუნდეთ, რომ კაბელის შტეფსელი სწორად არის დაკავშირებული სავარძლის ქვედა ნაწილში არსებულ სოკეტთან. ხელახლა ააწყვეთ სავარძელი და მიჰყევით პუნქტით - „<b>მოხვევის ნულოვანი რადიუსის მქონე ბალახის საკრეჭი მანქანის ამუშავება</b>“ - გათვალისწინებულ მითითებებს, გადატვირთეთ ბალახის საკრეჭი მანქანა და შეამოწმეთ, თუ ამუშავდა. თუ არ ამუშავდა, დაუკავშირდით კვალიფიციურ სპეციალისტს.</li> </ul>
	<ul style="list-style-type: none"> <li>ოპერატორის წონა თანაბრად არ არის გადანაწილებული სავარძელზე. სავარძელზე ოპერატორის წონა უნდა შეადგენდეს მინიმუმ 20 კგ, რომ სავარძლის უსაფრთხოების საკეტის სისტემა სწორად ფუნქციონირებდეს</li> </ul>	<ul style="list-style-type: none"> <li>სწორად დაჯექით სავარძელზე, მოსწიეთ მარცხენა/მარჯვენა ან ორივე პედალი ოპერატორისკენ და აუშვით ისინი, ბალახის საჭრელი მანქანა მზად არის სამართავად.</li> </ul>
	<ul style="list-style-type: none"> <li>პარკირების სამუხრუჭე პედალზე ნელა დაჭერა ხდება მართვის სიჩქარის შესანელებლად. მას შემდეგ, რაც პარკირების სამუხრუჭე პედალები საკმარისად დაჭერილია, მაგრამ არა პარკირების პოზიციამდე, ბალახის საკრეჭი მანქანა შეჩერდება.</li> </ul>	<ul style="list-style-type: none"> <li>საჭიროების შემთხვევაში, გათიშეთ და ხელახლა მიამაგრეთ აკუმულატორის ბლოკები.</li> </ul>
<ul style="list-style-type: none"> <li>მართვის დროს მართვის რეჟიმის რეგულირება შეუძლებელია.</li> </ul>	<ul style="list-style-type: none"> <li>ეს არის მოხვევის ნულოვანი რადიუსის მქონე ბალახის საკრეჭი მანქანის ფუნქცია უსაფრთხო მართვის უზრუნველსაყოფად.</li> </ul>	<ul style="list-style-type: none"> <li>მიყევით პუნქტით - „<b>ბალახის საკრეჭი მანქანის ამუშავება</b>“ - გათვალისწინებულ მითითებებს ბალახის საკრეჭის თავიდან ჩასართავად.</li> </ul>
<p><b>KA</b></p>	<ul style="list-style-type: none"> <li>ეს არის მოხვევის ნულოვანი რადიუსის მქონე ბალახის საკრეჭი მანქანის ფუნქცია უსაფრთხო მართვის უზრუნველსაყოფად.</li> </ul>	<ul style="list-style-type: none"> <li>ფუნქცია გააქტიურდება მხოლოდ მაშინ, როცა ბალახის საკრეჭი მანქანის ბორბლები გაჩერებულია.</li> </ul>

პრობლემა	მიზეზი	გადაჭრის გზა
<p>მოხვევის ნულოვანი რადიუსის მქონე ბალახის საკრეჭ მანქანის პირები არ მუშაობს, როცა PTO გადამრთველი ჩართულია.</p>  <p>PTO გადამრთველის ხატულა ციმციმებს.</p>	<ul style="list-style-type: none"> <li>ჩამონტაჟებული აკუმულატორების კომბინირებული ა/სთ არ აკმაყოფილებს მოთხოვნას.</li> </ul>	<ul style="list-style-type: none"> <li>ბალახის საკრეჭის ასამუშავებლად გამოიყენეთ საკმარისი EGO აკუმულატორები ამ სახელმძღვანელოში “აკუმულატორის ბლოკის დაყენება/მოხსნა” ნაწილში მოცემული ინსტრუქციის შესაბამისად.</li> </ul>
	<ul style="list-style-type: none"> <li>PTO გადამრთველი არ იყო ქვემოთ გადაწეული, როდესაც ბალახის საკრეჭი მანქანა ბოლოს გააჩერეს.</li> </ul>	<ul style="list-style-type: none"> <li>დააჭირეთ PTO გადამრთველს ქვემოთ და გადატვირთეთ ბალახის საკრეჭი მანქანის მჭრელი პირების ძრავა.</li> </ul>
	<ul style="list-style-type: none"> <li>ბალახის საკრეჭი მანქანა გადატვირთულია მჭრელი პირების მოძრაობის დაწყებისას, რაც იწვევს ძრავის თავდაცვის გააქტიურებას.</li> </ul>	<ul style="list-style-type: none"> <li>ბალახის ჭრა თავდაპირველად დაიწყეთ უფრო დაბალი სიჩქარით და სანამ მჭრელი პირები არ დაიწყებენ ბრუნვას, ნუ მოუმატებთ პირების მოძრაობის სიჩქარეს.</li> </ul>
	<ul style="list-style-type: none"> <li>ძალიან ცივ ამინდში, მჭრელი პირების ძრავის ფუნქცია შეიძლება შეფერხდეს დაბალი ტემპერატურის გამო.</li> </ul>	<ul style="list-style-type: none"> <li>ბალახის საკრეჭი მანქანა და აკუმულატორი შეინახეთ თბილ გარემოში. გახურების შემთხვევაში, გადატვირთეთ ბალახის საკრეჭი მანქანა. ძალიან ცივ ამინდში ჩართვის რამდენიმე მცდელობისას მანქანა შეიძლება დაზიანდეს.</li> </ul>
	<ul style="list-style-type: none"> <li>მჭრელი პირი ედება ბალახის საკრეჭი მანქანის დეფორმირებულ ბაქანს.</li> </ul>	<ul style="list-style-type: none"> <li>მიმართეთ EGO-ს კლიენტთა მომსახურების ცენტრს.</li> </ul>
	<ul style="list-style-type: none"> <li>ბალახის საკრეჭი მანქანა მოძრაობს "სამგზავრო" სიჩქარით.</li> </ul>	<ul style="list-style-type: none"> <li>როდესაც ბალახის საკრეჭი მანქანის მართვა ხდება "სამგზავრო" სიჩქარით, მჭრელი პირების ძრავები ავტომატურად ჩერდება.</li> </ul>

პრობლემა	მიზეზი	გადაჭრის გზა
მჭრელი პირები გაჩერდა ბალახის მოჭრისას.	<ul style="list-style-type: none"> <li>ბალახის საკრეჭი მანქანა გადატვირთულია.</li> </ul>	<ul style="list-style-type: none"> <li>ბალახის საკრეჭი მანქანის დატვირთვის შემცირების მიზნით, გაზარდეთ ჭრის სიმაღლე ან შეამცირეთ მართვის სიჩქარე.</li> </ul>
	<ul style="list-style-type: none"> <li>ბალახის საკრეჭი მანქანის ბაქანი გაჭედებულია ბალახითა და ნარჩენებით.</li> </ul>	<ul style="list-style-type: none"> <li>გაწმინდეთ ბალახის საკრეჭი მანქანის ქვედა ნაწილი და შეამოწმეთ, ხომ თავისუფლად მოძრაობენ მჭრელი პირები.</li> </ul>
	<ul style="list-style-type: none"> <li>ბალახის საკრეჭი მანქანა გადახურებულია.</li> </ul>	<ul style="list-style-type: none"> <li>შეამცირეთ ბალახის საკრეჭი მანქანის დატვირთვა ჭრის სიმაღლის გაზრდით ან პირების მოძრაობის/ მართვის სიჩქარის შემცირებით და აცალეთ, რომ გაგრილდეს.</li> </ul>
	<ul style="list-style-type: none"> <li>ბალახის საკრეჭი მანქანის სააკუმულატორო ნაკვეთურში აკუმულატორების ბლოკ(ებ) ი გადახურებულია, რის შედეგადაც ყველა ჩამონტაჟებული აკუმულატორის საერთო ა/სთ არ აკმაყოფილებს მოთხოვნებს.</li> </ul>	<ol style="list-style-type: none"> <li>ბალახის საკრეჭი მანქანა გააგრძელებს მუშაობას, თუ აკუმულატორის საერთო ა/სთ, გადახურებული აკუმულატორის გარეშე, აკმაყოფილებს მოთხოვნებს. როგორც კი გადახურებული აკუმულატორი დაუბრუნდება ნორმალურ ტემპერატურას, მაშინვე აღდგება ბალახის საკრეჭი მანქანის ელექტრომომარაგება.</li> </ol>
		<ol style="list-style-type: none"> <li>თუ აკუმულატორის საერთო ა/სთ სიმძლავრე არ აკმაყოფილებს მოთხოვნებს, ბალახის საკრეჭი მანქანა არ იმუშავებს მანამ, სანამ მეტი აკუმულატორების ბლოკი არ დაემატება აკუმულატორის ცარიელ ნაკვეთურში.</li> </ol>
		<ol style="list-style-type: none"> <li>მუშაობის განახლებისას, შეამცირეთ საკრეჭი მანქანის დატვირთვა ჭრის სიმაღლის გაზრდით ან თიბვის შენელებით.</li> </ol>
	<ul style="list-style-type: none"> <li>ბალახის საკრეჭი მანქანის ავარიულ რეჟიმში ყოფნის დროს, მჭრელი პირები ავტომატურად გადადის ბრუნვის დაბალ სიჩქარეზე. ოპერატორმა უნდა შეწყვიტოს მუშაობა და დაუყონებლივ მივიდეს აკუმულატორის დატენვის ზონაში.</li> </ul>	<ul style="list-style-type: none"> <li>დააჭირეთ PTO გადამრთველს ქვემოთ და გადატვირთეთ ბალახის საკრეჭი მანქანის მჭრელი პირების ძრავა.</li> </ul>
	<ul style="list-style-type: none"> <li>ბალახის საკრეჭი მანქანა დაეჯახა უცხო საგანს, რის შედეგადაც ჩაირთო ძრავის დაცვა.</li> </ul>	<ul style="list-style-type: none"> <li>როდესაც ბალახის საკრეჭი მანქანის სიჩქარე არის "მომრაობის" რეჟიმში, მჭრელი პირების ძრავები ავტომატურად გაჩერდება.</li> </ul>
<ul style="list-style-type: none"> <li>ბალახის საკრეჭის სიჩქარე მორგებულია "მომრაობის" რეჟიმზე.</li> </ul>	<ul style="list-style-type: none"> <li>როდესაც ბალახის საკრეჭი მანქანის სიჩქარე არის "მომრაობის" რეჟიმში, მჭრელი პირების ძრავები ავტომატურად გაჩერდება.</li> </ul>	

KA



პრობლემა	მიზეზი	გადაჭრის გზა
ხმოვანი სიგნალი კვლავ ბგერებს გამოსცემს.	<ul style="list-style-type: none"> <li>ბალახის საკრეჭი მანქანა ავარიულ რეჟიმშია და მჭრელი პირები გამორთულია.</li> </ul>	<ul style="list-style-type: none"> <li>დააჭირეთ PTO გადამრთველს ქვემოთ მჭრელი პირების ძრავის გასათიშად. ხმოვანი სიგნალი გამოირთვება, როდესაც მჭრელი პირების ძრავა გაჩერდება;</li> </ul>
	<ul style="list-style-type: none"> <li>ბალახის საკრეჭი მანქანა გაჩერდა ფერდობზე, მძლოლი არ ზის, ხოლო სადგომი მუხრუჭის პედალი არ არის სამუხრუჭე პოზიციამი.</li> </ul>	<ul style="list-style-type: none"> <li>ბალახის საკრეჭი მანქანის ფერდობზე დატოვებამდე, სადგომი მუხრუჭის პედალი გადართეთ სამუხრუჭე მდგომარეობაში.</li> </ul>
აკუმულატორის დამუხტულობის ინდიკატორი კვლავ ანთია, როცა ბალახის საკრეჭი მანქანა გამორთულია.	<ul style="list-style-type: none"> <li>აკუმულატორების ბლოკ(ებ) ის ამოღების გარეშე ბალახის საკრეჭი მანქანის გამორთვის შემთხვევაში აკუმულატორის ინდიკატორები, ჩართვა/ გამორთვის ღილაკი და CCS ღილაკი დარჩება განათებული გარკვეული პერიოდის განმავლობაში.</li> </ul>	<ul style="list-style-type: none"> <li>არანაირი ჩარევა არ არის საჭირო. აკუმულატორის დამუხტულობის ინდიკატორები გამოირთვება ბალახის საკრეჭის გამორთვიდან გარკვეული პერიოდის შემდეგ. კონკრეტული დროისთვის იხილეთ <b>“ბალახის საკრეჭის გაჩერება”</b>.</li> </ul>
	<ul style="list-style-type: none"> <li>ფერდობზე, სადგომი მუხრუჭის პედლის სამუხრუჭე პოზიციამი გადაყვანის გარეშე, ბალახის საკრეჭი მანქანის გამორთვის შემთხვევაში აკუმულატორის მუხტის ინდიკატორი აინთება აკუმულატორის დაცვამდე. ამავდროულად აუდიო ინდიკატორი აგრძელებს ხმის გამოცემას.</li> </ul>	<ul style="list-style-type: none"> <li>ბალახის საკრეჭი მანქანის ფერდობზე დატოვებამდე, სადგომი მუხრუჭის პედალი გადართეთ სამუხრუჭე მდგომარეობაში.</li> </ul>
LCD ეკრანი არ ნათდება.	<ul style="list-style-type: none"> <li>ჩართვა/გამორთვა ღილაკზე დაჭერა მოხდა საკმარისი დროით.</li> </ul>	<ul style="list-style-type: none"> <li>LCD ეკრანზე „საწვავის დონის მაჩვენებელი“ გამოჩნდება მხოლოდ ჩართვა/გამორთვის ღილაკზე მოკლე დაჭერისას.</li> <li>თხევადკრისტალური ეკრანი ჩაირთვება ჩართვა/გამორთვის ღილაკზე საკმარისი დროის განმავლობაში დაჭერის შემთხვევაში.</li> </ul>
ბალახის საკრეჭი მანქანა ჭრის არათანაბრად, მნიშვნელოვანი განსხვავებაა სიმაღლის თვალსაზრისით.	<ul style="list-style-type: none"> <li>მჭრელი პირები დაბლაგვებულია.</li> </ul>	<ul style="list-style-type: none"> <li>გაღესეთ ან შეცვალეთ მჭრელი პირები, როგორც ეს მითითებულია წინამდებარე სახელმძღვანელოში.</li> </ul>
	<ul style="list-style-type: none"> <li>მჭრელი პირები გაღუნულია.</li> </ul>	<ul style="list-style-type: none"> <li>შეცვალეთ გაღუნული მჭრელი პირები, პუნქტით- <b>„მჭრელი პირების შეცვლა“</b> -გათვალისწინებული მითითებების შესაბამისად.</li> </ul>
	<ul style="list-style-type: none"> <li>ბალახის საკრეჭი მანქანის ქვედა ნაწილი არ არის სწორი, რის შედეგადაც პირები სხვადასხვა სიმაღლეზე ჭრის ბალახს.</li> </ul>	<ul style="list-style-type: none"> <li>გაასწორეთ ბალახის საკრეჭი მანქანის ბაქანი პუნქტის - <b>„ბალახის საკრეჭი მანქანის ბაქანის გასწორება“</b> - მითითებების შესაბამისად.</li> </ul>

KA

პრობლემა	მიზეზი	გადაჭრის გზა
ბალახის ჭრის რეალური სიმაღლე არ შეესაბამება მოთხოვნილ სიმაღლეს.	<ul style="list-style-type: none"> <li>ბალახის საკრეჭი მანქანის ქვედა ნაწილის ქანჩები მოშვებულია საკიდრის ბერკეტზე.</li> </ul>	<ul style="list-style-type: none"> <li>მიჰყევით პუნქტით - „<b>ბალახის საკრეჭი მანქანის ბაქანის გასწორება</b>“ -გათვალისწინებულ მითითებებს, რათა უზრუნველყოთ წინა-უკანა ნაწილის რეგულირება და საკიდრის ბერკეტზე ქანჩების საიმედოდ მოჭერა.</li> </ul>
	<ul style="list-style-type: none"> <li>ბალახის საკრეჭი მანქანის ქვედა ნაწილი დაზიანებული ან სერიოზულად გაცვეთილია.</li> </ul>	<ul style="list-style-type: none"> <li>ბალახის საკრეჭი მანქანის ქვედა ნაწილის შესაცვლელად, მიჰყევით პუნქტით- „<b>ბალახის საკრეჭი მანქანის ქვედა ნაწილის მოხსნა</b>“ -გათვალისწინებულ მითითებებს.</li> </ul>
ბალახის საკრეჭი მანქანა სწორად არ აკეთებს მულჩირებას.	<ul style="list-style-type: none"> <li>სველი ბალახის ნარჩენები მიწეპებულია ქვედა ნაწილზე უკანა მხრიდან.</li> </ul>	<ul style="list-style-type: none"> <li>დაელოდეთ სანამ ბალახი გაშრება მოთიბვამდე.</li> </ul>
	<ul style="list-style-type: none"> <li>ბალახის საკრეჭი მანქანა მომართულია, მოჭრას ერთბაშად ძალიან ბევრი ბალახი.</li> </ul>	<ul style="list-style-type: none"> <li>გაზარდეთ ჭრის სიმაღლე.</li> </ul>
გადაჭარბებული ვიბრაცია.	<ul style="list-style-type: none"> <li>მჭრელი პირები მოშვებულია.</li> </ul>	<ul style="list-style-type: none"> <li>მოუჭირეთ მჭრელი პირის ჭანჭიკს რეკომენდებული მარბუნი მომენტით.</li> </ul>
	<ul style="list-style-type: none"> <li>მჭრელი პირები გაღუნულია.</li> </ul>	<ul style="list-style-type: none"> <li>შეცვალეთ გაღუნული მჭრელი პირები, პუნქტით- „<b>მჭრელი პირების შეცვლა</b>“ -გათვალისწინებული მითითებების შესაბამისად.</li> </ul>
	<ul style="list-style-type: none"> <li>ბალახის საკრეჭი მანქანის ქვედა ნაწილი არ არის სწორი.</li> </ul>	<ul style="list-style-type: none"> <li>გაასწორეთ ბალახის საკრეჭი მანქანის ბაქანი პუნქტის - „<b>ბალახის საკრეჭი მანქანის ბაქანის გასწორება</b>“ - მითითებების შესაბამისად.</li> </ul>
	<ul style="list-style-type: none"> <li>ბალახის საკრეჭი მანქანის ქვედა ნაწილის ქანჩები მოშვებულია საკიდრის ბერკეტზე.</li> </ul>	<ul style="list-style-type: none"> <li>მოუჭირეთ ქანჩებს საკიდრის ბერკეტზე.</li> </ul>
	<ul style="list-style-type: none"> <li>ბალახის საკრეჭი მანქანა მომართულია, მოჭრას ერთბაშად ძალიან ბევრი ბალახი.</li> </ul>	<ul style="list-style-type: none"> <li>გაზარდეთ ჭრის სიმაღლე.</li> </ul>
მოთიბვის შემდეგ მიწაზე რჩება ბალახი ან ნარჩენები.	<ul style="list-style-type: none"> <li>ბალახის საკრეჭი მანქანა მომართულია, მოჭრას ერთბაშად ძალიან ბევრი ბალახი, როდესაც ბალახი მაღალია.</li> </ul>	<ul style="list-style-type: none"> <li>დაიწყეთ მაღალ სიმაღლეზე ჭრით და შეამცირეთ, სანამ სასურველ შედეგს არ მიიღებთ. 152 მმ-ზე მეტი სიმაღლის ბალახი ორჯერ უნდა გაითიბოს, თანმიმდევრულად დაბალ ჭრის სიმაღლეებზე.</li> </ul>
	<ul style="list-style-type: none"> <li>ბალახი სველია.</li> </ul>	<ul style="list-style-type: none"> <li>სველი ბალახი არ მოჭრათ.</li> </ul>
	<ul style="list-style-type: none"> <li>მართვის სიჩქარე მაღალია.</li> </ul>	<ul style="list-style-type: none"> <li>შეამცირეთ მოძრაობის სიჩქარე.</li> </ul>
	<ul style="list-style-type: none"> <li>მჭრელი პირის მოძრაობის სიჩქარე დაბალია.</li> </ul>	<ul style="list-style-type: none"> <li>თანდათან გაზარდეთ მჭრელი პირების მოძრაობის სიჩქარე.</li> </ul>

KA

პრობლემა	მიზეზი	გადაჭრის გზა
ბალახის საკრეჭი მანქანის მუშაობის ხანგრძლივობა მცირეა დართული აკუმულატორის პირობებში.	<ul style="list-style-type: none"> <li>გაზონის რელიეფი, ბალახის მდგომარეობა, ჭრის სიმაღლის პარამეტრი, მართვის სიჩქარე, მჭრელი პირი სიჩქარე და ა.შ. დიდ გავლენას მოახდენს მუშაობის დროზე.</li> </ul>	<ul style="list-style-type: none"> <li>ჭრის დატვირთვის შემცირების მიზნით, გაზარდეთ ჭრის სიმაღლე ან შეანელოთ მჭრელი პირების მოძრაობის სიჩქარე.</li> </ul>
ბალახის საკრეჭი მანქანა არ მოძრაობს სწორ ხაზზე.	<ul style="list-style-type: none"> <li>მარცხენა და მარჯვენა უკანა ბორბლების საბურავის წნევა განსხვავებულია.</li> </ul>	<ul style="list-style-type: none"> <li>შეამოწმეთ და დაარეგულირეთ ჰაერის წნევა ორივე უკანა საბურავებში, სახელმძღვანელოს პუნქტის „სპეციფიკაციები“ - შესაბამისად.</li> </ul>
	<ul style="list-style-type: none"> <li>მარცხენა და მარჯვენა უკანა ბორბლების მოძრაობის სიჩქარე განსხვავებულია.</li> </ul>	<ul style="list-style-type: none"> <li>უზრუნველყავით საჭის დაკალიბრება პუნქტის „ბალახის საკრეჭი მანქანის თვალთვალის სისტემის დაკალიბრება“- შესაბამისად.</li> </ul>
სადგომი მუხრუჭის პედალი არ ირთვება სამუხრუჭე პოზიციიდან ან უკან ნელა ბრუნდება.	<ul style="list-style-type: none"> <li>სადგომი მუხრუჭის პედალში შეიძლება მოხვდეს მიწა და ნარჩენები.</li> </ul>	<ul style="list-style-type: none"> <li>გახსენით სადგომი მუხრუჭის პედალის ყუთი, შიგნიდან კარგად გაწმინდეთ და დახურეთ იგი. ხელახლა დააჭირეთ სადგომი მუხრუჭის პედალს და შეამოწმეთ, თუ მოგვარდა პრობლემა. თუ არ ამუშავდა, დაუკავშირდით კვალიფიციურ სპეციალისტს.</li> </ul>
ბალახის საკრეჭი მანქანა არ იტენება დატენვის პორტის საშუალებით და ბალახის საკრეჭი მანქანის სტატუსის ინდიკატორი წითლად ანათებს.	<ul style="list-style-type: none"> <li>დამტენის შტეკერი სწორად არ არის შეერთებული ბალახის საკრეჭი მანქანის დატენვის პორტში.</li> </ul>	<ul style="list-style-type: none"> <li>ხელახლა შეაერთეთ დამტენი და შეამოწმეთ, თუ იტენება ბალახის საკრეჭი მანქანა.</li> </ul>
	<ul style="list-style-type: none"> <li>კედლის როზეტებში არ გადის დენი.</li> </ul>	<ul style="list-style-type: none"> <li>არანაირი ჩარევა არ არის საჭირო. დაელოდეთ ენერჯის რეკუპერაციას.</li> </ul>
	<ul style="list-style-type: none"> <li>დამტენის გაუმართაობა.</li> </ul>	<ul style="list-style-type: none"> <li>შესამოწმებლად დაუკავშირდით EGO-ს კლიენტთა მომსახურების ცენტრს და, საჭიროების შემთხვევაში, შეაკეთეთ დამტენი.</li> </ul>
	<ul style="list-style-type: none"> <li>ბალახის საკრეჭი მანქანაზე დატენვის პორტი დეფექტურია.</li> </ul>	<ul style="list-style-type: none"> <li>მიმართეთ EGO-ს კლიენტთა მომსახურების ცენტრს.</li> </ul>
დატენვის პორტის საშუალებით დატენვას ძალიან დიდი დრო სჭირდება.	<ul style="list-style-type: none"> <li>EGO ACA 1000 ადაპტერის გამოყენებით დატენვას დიდი დრო სჭირდება.</li> </ul>	<ul style="list-style-type: none"> <li>მოხვევის ნულოვანი რადიუსის მქონე ბალახის საკრეჭი მანქანის პირდაპირ დასატენად გამოიყენეთ EGO CHV1600E დამტენი.</li> </ul>

KA

პრობლემა	მიზეზი	გადაჭრის გზა
აკუმულატორი სრულად არ იტენება ბალახის საკრეჭი მანქანის დატენვის პორტის საშუალებით.	<ul style="list-style-type: none"> <li>ბალახის საკრეჭი მანქანის პროგრამული შეცდომა ან აკუმულატორის ან დამტენის გაუმართაობა.</li> </ul>	<ul style="list-style-type: none"> <li>დამტენის გადასატვირთად გამოადრეთ დამტენი და დაელოდეთ რამდენიმე წუთზე მეტი ხნით. გამოაერთეთ დამტენი და შემდეგ ხელახლა მიუერთეთ დამტენი ქსელს. თუ ეს არ მოგავარებს პრობლემას, მიმართეთ EGO-ს კლიენტთა მომსახურების ცენტრს.</li> </ul>
ბალახის საკრეჭი მანქანა არ ამუშავდა გაწმენდის შემდეგ.	<ul style="list-style-type: none"> <li>არასათანადო გაწმენდა, მაგ. წყლის მოხვედრა ელექტრო კომპონენტებზე, LCD ეკრანზე და ა.შ.</li> </ul>	<ul style="list-style-type: none"> <li>ბალახის საკრეჭი მანქანის სწორად გაწმენდის მიზნით, მიჰყევით პუნქტით „<b>ზოგადი ტექნიკური მომსახურება</b>“ - გათვალისწინებულ მითითებებს.</li> <li>ბალახის საკრეჭის წვიმაში მოხვედრის შემთხვევაში, გაშრობის მიზნით გააჩერეთ ჰაერზე ან გასაშრობად გამოიყენეთ შეკუმშული ჰაერი.</li> </ul>
საკრეჭი ბალახის ბაქანი სწრაფად ბინძურდება.	<ul style="list-style-type: none"> <li>ბალახის საკრეჭი მანქანის ბაქანი არ იყო სათანადოდ გაწმენდილი წინა გამოყენების შემდეგ.</li> </ul>	<ul style="list-style-type: none"> <li>ყოველი გამოყენების შემდეგ გაწმინდეთ ბალახის საკრეჭი მანქანის ბაქანი, მიჰყევით პუნქტით „<b>ბალახის საკრეჭი მანქანის ბაქანის გაწმენდა რეცხვის პორტის გამოყენებით</b>“ - გათვალისწინებულ მითითებებს.</li> </ul>
ბალახის საკრეჭი მანქანა ფერდობზე ასვლისას ადვილად კარგავს წევას.	<ul style="list-style-type: none"> <li>უკანა ბორბლების საბურავები გაცვეთილია.</li> <li>ბალახის კრეჭვა ციცაბო ფერდობზე.</li> </ul>	<ul style="list-style-type: none"> <li>საბურავების შესაცვლელად დაუკავშირდით ადგილობრივ სამსახურს.</li> <li>ბალახის საკრეჭი მანქანა არ გამოიყენოთ ფერდობის გასაკრეჭად, თუ ფერდობის დახრა საჭიროზე მეტია.</li> </ul>
როცა ბალახის საკრეჭი მანქანა გაჩერებულია ფერდობზე და ჩართულია სადგომი მუხრუჭის პედალი, ბალახის საკრეჭი მანქანას შეუძლია დაგორდეს ფერდობზე.	<ul style="list-style-type: none"> <li>სამუხრუჭე ელემენტები მეტისმეტად გაცვეთილია ბალახის საკრეჭი მანქანის არასწორი ექსპლუატაციის გამო.</li> </ul>	<ul style="list-style-type: none"> <li>რემონტისთვის მიმართეთ EGO-ს კლიენტთა მომსახურების ცენტრს.</li> </ul>
ბაქანის გარეცხვისას რეცხვის პორტიდან წყალი არ მოდის.	<ul style="list-style-type: none"> <li>რეცხვის პორტის სწრაფი კონექტორი არ არის მართებულად დამონტაჟებული რეცხვის პორტზე.</li> </ul>	<ul style="list-style-type: none"> <li>ხელახლა მიამაგრეთ რეცხვის პორტის სწრაფი კონექტორი, მყარად დაჭერის შემდეგ გაიგონებთ დაწკაპუნების ხმას. თუ ის არ მუშაობს, დაუკავშირდით EGO-ს კლიენტთა მომსახურების ცენტრს.</li> </ul>

KA



პრობლემა	მიზეზი	გადაჭრის გზა
დაქოქვის გარეშე, ბალახის საკრეჭ მანქანაზე ხელით მიწოლის დროს უცნაური ხმა ისმის.	<ul style="list-style-type: none"> <li>ხმას გამოსცემს ელექტროძრავის მაგნიტები.</li> </ul>	<ul style="list-style-type: none"> <li>ეს ნორმალურია და არანაირი ჩარევა არ არის საჭირო.</li> </ul>
საჭე არ ტრიალდება.	<ul style="list-style-type: none"> <li>საჭის გარნიტურა ნარჩენებით არის სავსე.</li> </ul>	<ul style="list-style-type: none"> <li>დაათვალიერეთ და მოაშორეთ ნარჩენები.</li> </ul>
ბალახის საკრეჭი მანქანა არ ბრუნდება მარჯვნივ/მარცხნივ, როდესაც საჭეს ვატრიალებ.	<ul style="list-style-type: none"> <li>ელექტრო ან მექანიკური კომპონენტების ხარვეზი.</li> </ul>	<ul style="list-style-type: none"> <li>რემონტისთვის მიმართეთ EGO-ს კლიენტთა მომსახურების ცენტრს.</li> </ul>
ბალახის საკრეჭი მანქანა ვერ ჩერდება, როდესაც აჩქარების პედალიდან ვიღებ ფეხს.	<ul style="list-style-type: none"> <li>აჩქარების პედალის სამოზღაო გზა ნარჩენებით არის სავსე.</li> <li>CCS ღილაკზე უნებლიედ მოხდა დაჭერა მართვის დროს. ბალახის საკრეჭი არის კრუიზ კონტროლის რეჟიმში</li> </ul>	<ul style="list-style-type: none"> <li>დაათვალიერეთ და მოაშორეთ ნარჩენები.</li> <li>შეამოწმეთ, CCS ხატულა თუ ანთია LCD ეკრანზე და საჭიროების შემთხვევაში გამოდით CCS-დან. იხილეთ სექცია "კრუის კონტროლის გამოყენება (CCS)"</li> </ul>
CCS ფუნქციის გააქტიურება ან გამორთვა შეუძლებელია.	<ul style="list-style-type: none"> <li>CCS ღილაკზე არ არის სწორად დაჭერილი.</li> </ul>	<ul style="list-style-type: none"> <li>დააჭირეთ CCS ღილაკს, სანამ CCS ხატულა არ აინთება LCD ეკრანზე, ან გაქრება LCD ეკრანიდან.</li> </ul>
ბალახის საკრეჭი მანქანა ვერ ახერხებს უკუსვლას, როდესაც მარცხენა/მარჯვენა პედალი ამოწეულია ოპერატორისკენ.	<ul style="list-style-type: none"> <li>ბალახის საკრეჭი მანქანის სტატუსის მაჩვენებელი არ აჩვენებს მწვანეს და ბალახის საკრეჭი მანქანა არ არის მართვისთვის მზად.</li> </ul>	<ul style="list-style-type: none"> <li>მიჰყევით პუნქტით "ბალახის საკრეჭი მანქანის ამუშავება" გათვალისწინებულ მითითებებს, რათა ბალახის საკრეჭი მანქანის სტატუსის მაჩვენებელზე გამოჩნდეს მწვანე, ბალახის საკრეჭი მანქანა მზად არის მართვისთვის.</li> </ul>
	<ul style="list-style-type: none"> <li>მარცხენა/მარჯვენა პედალები არ არის ოპერატორისკენ სწორად ამოწეული.</li> </ul>	<ul style="list-style-type: none"> <li>მოსწიეთ მარცხენა პედალი ან მარჯვენა პედალი ან ორივე პედალი ერთდროულად ოპერატორისკენ მანამდე სანამ "წკაპუნის" ხმას არ გაიგონებთ.</li> </ul>
	<ul style="list-style-type: none"> <li>მარცხენა/მარჯვენა პედალი (პედალები) არ არის ოპერატორისკენ ამოწეული.</li> </ul>	<ul style="list-style-type: none"> <li>უკუსვლით რომ იმოდროთ, მინიმუმ ერთი პედალი უნდა იყოს გადმოწეული ოპერატორისკენ.</li> </ul>
	<ul style="list-style-type: none"> <li>მარცხენა/მარჯვენა პედალი (პედალები) დაზიანებულია.</li> </ul>	<ul style="list-style-type: none"> <li>შესაკუთებლად დაუკავშირდით კვალიფიციურ ტექნიკოსს.</li> </ul>

KA

# ბალახის საკრეჭი მანქანის სტატუსის ინდიკატორი და დაზიანების კოდი

LCD ეკრანი	აღწერა	დაზიანების კოდი LCD-ზე	ბალახის საკრეჭი მანქანის სტატუსის ინდიკატორი	სასიგნალო მოწყობილობა	გამომწვევი მიზეზი	პრობლემის გადაჭრის გზა
	LED განათების ხატულა ანთია LCD ეკრანზე.	არ მიესადაგება	გათიშული	არა	წინა, გვერდითი და უკანა ფარები ჩართულია LED განათების ჩამრთველით.	ეს ჩვეულებრივი ოპერაცია. არანაირი ჩარევა არ არის საჭირო.
	USB ხატულა ანთია LCD ეკრანზე.	არ მიესადაგება	გათიშული	არა	USB ხატულას ციმციმი მიუთითებს იმაზე, რომ USB მოწყობილობა მუშაობს ბალახის საკრეჭი მანქანის სწორად ამუშავების შემთხვევაში.	ეს ჩვეულებრივი ოპერაცია. არანაირი ჩარევა არ არის საჭირო.
	საწვავის დონის მანიშნებელი ხატულა ანთია LCD ეკრანზე.	არ მიესადაგება	გათიშული	არა	აღნიშნული მიუთითებს ჩამონტაჟებული აკუმულატორების საშუალო დონის დამუხტულობაზე.	ეს ჩვეულებრივი ოპერაცია. არანაირი ჩარევა არ არის საჭირო.
	საათის მრიცხველის ხატულა ანთია LCD ეკრანზე.	არ მიესადაგება	გათიშული	არა	აღნიშნული მიუთითებს ბალახის საკრეჭი მანქანის მოლოანი მუშაობის ხანგრძლივობაზე, საათებში, ხოლო მისი გადატვირთვა შეუძლებელია.	ეს ჩვეულებრივი ოპერაცია. არანაირი ჩარევა არ არის საჭირო.
	დატვირთვის ხატულა ანთია ECO დიაპაზონში.	არ მიესადაგება	გათიშული	არა	აღნიშნული მიუთითებს ბალახის საკრეჭი მანქანის არსებულ დატვირთვაზე.	ეს ჩვეულებრივი ოპერაცია. არანაირი ჩარევა არ არის საჭირო.
	უკუსვლის ხატულა ანთია LCD ეკრანზე.	არ მიესადაგება	გათიშული	არა	ეს მიუთითებს, რომ ბალახის საკრეჭი მანქანა მოძრაობს უკუსვლით.	ეს ჩვეულებრივი ოპერაცია. არანაირი ჩარევა არ არის საჭირო.
	უსაფრთხოების გასაღების ხატულა ციმციმებს.	არ მიესადაგება	გათიშული	არა	უსაფრთხოების გასაღები არ არის მოთავსებული.	ბალახის საკრეჭი მანქანის ასამუშავებლად მოათავსეთ უსაფრთხოების გასაღები, შემდეგ დააჭირეთ ჩართვა/გამართვის ღილაკს.
					გასაღების მართვის დაფის ყუთის ნაკრები დაზიანებულია.	სარემონტო სამუშაოები შეასრულებინეთ კვალიფიციური ტექნიკურ სპეციალისტს.

KA

LCD ეკრანი	აღწერა	დაზიანების კოდი LCD-ზე	ბალახის საკრეჭი მანქანის სტატუსის ინდიკატორი	სასიგნალო მოწყობილობა	გამომწვევი მიზეზი	პრობლემის გადაჭრის გზა	
	აკუმულატორის კონკრეტული ნაკვეთურის ხატულა ციმციმებს.	არ მიესადაგება	გათიშული	არა	განმუხტვის დროს კონკრეტული ბატარეა ზედმეტად გადატვირთულია.	არანაირი ჩარევა არ არის საჭირო. ბალახის საკრეჭი მანქანა გააგრძელებს მუშაობას, თუ აკუმულატორის საერთო ა/სთ, ჭარბი დენის აკუმულატორის გარეშე, აკმაყოფილებს მოთხოვნებს. როგორც კი გადახურებული აკუმულატორი დაუბრუნდება ნორმალურ ტემპერატურას, მაშინვე აღდგება ბალახის საკრეჭი მანქანის ელექტრომომარაგება და ხატულაც გაქრება.	
	ცარიელი აკუმულატორის ნაკვეთურის ხატულა ციმციმებს.	არ მიესადაგება	გათიშული	არა	აკუმულატორის სიმძლავრე არასაკმარისია ბალახის საკრეჭი მანქანის მუშაობისთვის.	ბალახის საკრეჭის ასამუშავებლად გამოიყენეთ საკმარისი EGO აკუმულატორები ამ სახელმძღვანელოში <b>“აკუმულატორის ბლოკის დაყენება/შოსნა”</b> ნაწილში მოცემული ინსტრუქციის შესაბამისად.	
	გადატვირთვის ინდიკატორი ციმციმებს.	არ მიესადაგება	ციმციმებს წითლად	ერთი ხმოვანი სიგნალი	მჭრელი პირების ძრავა გადატვირთულია.	ბალახის საკრეჭი მანქანის საკრეჭის მანქანის ნარჩენების გამოყოფის გვერდითა არხი გაჭედვილია ბალახითა და ნარჩენებით.	ბალახის საკრეჭი მანქანის დატვირთვის შემცირების მიზნით, გაზარდეთ ჭრის სიმაღლე ან შეამცირეთ მოძრაობის სიჩქარე.
					ხელისშემშლელი ელემენტებია მჭრელ პირსა და ბალახის საკრეჭი მანქანის გემბანს შორის.	გაასუფთავეთ გვერდითი დასაცელი ჩანთა ყოველი გამოყენების შემდეგ.	მიმართეთ EGO-ს კლიენტთა მომსახურების ცენტრს.
					ბალახის საკრეჭი მანქანა გადახურებულია.	შეამცირეთ ბალახის საკრეჭი მანქანის დატვირთვა ჭრის სიმაღლის გაზრდით ან პირების მოძრაობის/ მართვის სიჩქარის შემცირებით. შეისვენეთ და აცალეთ, რომ გაგრილდეს.	
	ტემპერატურის ხატულა ციმციმებს.	არ მიესადაგება	გათიშული	ერთი ხმოვანი სიგნალი	ბალახის საკრეჭი მანქანა გადაციებულია.	ნუ გააკეთებთ რამდენიმე მცდელობისას, რამაც მანქანა შეიძლება დაზიანდეს. ბალახის საკრეჭი მანქანა და აკუმულატორი ყოველთვის შეინახეთ თბილ გარემოში. გახურების შემთხვევაში, გადატვირთეთ ბალახის საკრეჭი მანქანა.	

KA

LCD ეკრანი	აღწერა	დაზიანების კოდი LCD-ზე	ბალახის საკრეჭი მანქანის სტატუსის ინდიკატორი	სასიგნალო მოწყობილობა	გამომწვევი მიზეზი	პრობლემის გადაჭრის გზა
	ტემპერატურის ხატულა და შევსებული აკუმულატორის ნაკვეთური ერთდროულად ციმციმებს.	არ მიესადაგება	გათიშული	არა	აკუმულატორის ბლოკი შესაბამის სექციაშია. აკუმულატორის დანომრილი ნაკვეთური გადახურებულია.	<p>1. ბალახის საკრეჭი მანქანა გააგრძელებს მუშაობას, თუ აკუმულატორის საერთო ა/სთ, გადახურებული აკუმულატორის გარეშე, აკმაყოფილებს მოთხოვნებს. როგორც კი გადახურებული აკუმულატორი დაუბრუნდება ნორმალურ ტემპერატურას, მაშინვე აღდგება ბალახის საკრეჭი მანქანის ელექტრომომარაგება.</p> <p>2. იმ შემთხვევაში, თუ საერთო ა/სთ არ არის საკმარისი, ბალახის საკრეჭი მანქანა არ იმუშავებს მანამ, სანამ მეტი აკუმულატორების ბლოკი არ დაემატება აკუმულატორის ცარიელ ნაკვეთურში.</p> <p>3. მუშაობის განახლებისას, შეამცირეთ საკრეჭი მანქანის დაციტირება ჭრის სიმაღლის გაზრდით ან თიხვის შენელებით.</p>
	შევსებული აკუმულატორის თითოეული ნაკვეთურის, დაბალი სიმძლავრის ინდიკატორის და საწვავის დონის მაჩვენებელი ხატულა ყოველ 1 წამში ერთდროულად ანათებს LCD ეკრანზე. საწვავის დონის მაჩვენებლისა და ბალახის საკრეჭი მანქანის სტატუსის LED ინდიკატორიც ციმციმებს.	არ მიესადაგება	ციმციმებს წითლად	გამოსცემს ხმოვან სიგნალს, PTO გადამრთველის ქვევით გადაწევაზე.	აკუმულატორი ბლოკი საკრეჭი მანქანა ავარიულ რეჟიმშია.	შეწყვიტეთ მუშაობა და დაბრუნდით აკუმულატორის დატენვის ზონაში. <b>შენიშვნა:</b> ბალახის საკრეჭი მანქანის ავარიულ რეჟიმში ყოფნის დროს, მჭრელი პირები ავტომატურად გადადის ბრუნვის დაბალ სიჩქარეზე და ამავდროულად იწყებს ხმოვანი სიგნალის გამოსცემას. ოპერატორი PTO გადამრთველს უნდა მიაწვეს ქვემოთ მჭრელი პირების ძრავის გასათიშად. ხმოვანი სიგნალი გამოირთვება, როცა მჭრელი პირები გაჩერდება.
	აკუმულატორის თითოეული ნაკვეთურის ხატულა და დაბალი სიმძლავრის მაჩვენებელი ყოველ ნახევარ წამში ციმციმებს, საწვავის დონის მაჩვენებელიც ყოველ ნახევარ წამში ციმციმებს.	არ მიესადაგება	ციმციმებს წითლად	გამოსცემს ხმოვან სიგნალს.	აკუმულატორი თითქმის დაცლილია.	ბალახის საკრეჭი მანქანა მყისიერად გაჩერდება. მძლოლმა ბალახის საკრეჭი მანქანა დასატენად უნდა გადაიყვანოს აკუმულატორის დატენვის ზონაში.
	ავტომატური პარკირების ხატულა ციმციმებს LCD ეკრანზე.	არ მიესადაგება	გათიშული	გამოსცემს ხმოვან სიგნალს.	ბალახის საკრეჭი მანქანა გაჩერებულია ფერდობზე და ოპერატორმა მიატოვა ბალახის საკრეჭი მანქანა ისე, რომ მუხრუჭის პედალი არ გადართო სამუხრუჭე პოზიციაში.	გადაიყვანეთ მუხრუჭის პედალი სამუხრუჭე პოზიციაში. ავტომატური პარკირების ხატულა ჩაქვრება და ხმოვანი ინდიკატორი გამოირთვება.
	მუხრუჭის პედალის ხატულა ანთია LCD ეკრანზე	არ მიესადაგება	გათიშული	არა	სადგომი მუხრუჭის პედალი სამუხრუჭე პოზიციაშია.	ბალახის საკრეჭი მანქანის ამუშავებამდე გამორთეთ სამუხრუჭე პოზიციიდან.

KA



**შენიშვნა:** თუ ხარვეზის კოდი გამოჩნდება LCD ეკრანზე, ამოიღეთ აკუმულატორის ყველა ბლოკი და ხელახლა ჩადეთ ისინი რამდენიმე წუთის შემდეგ. თუ ეს პრობლემას არ მოაგვარებს, იხილეთ ქვემოთ მოცემულ ხარვეზის კოდის განმარტება.

LCD ეკრანი	აღწერა	დაზიანების კოდი LCD-ზე	ბალახის საკრეჭი მანქანის სტატუსის ინდიკატორი	სასიგნალო მოწყობილობა	გამომწვევი მიზეზი	პრობლემის გადაჭრის გზა
	სავარძლის სენსორის ხატულა ანთია LCD ეკრანზე	არ მიესადაგება	გათიშული	არა	ოპერატორი ტოვებს ადგილს ან სავარძლის უსაფრთხოდ ჩაკეტვის სისტემა გამოერთებულია.	იმ შემთხვევაში, თუ ოპერატორი ზის სავარძელში და ხატულა ანთია, დაუყოვნებლივ შეწყვიტეთ ბალახის საკრეჭი მანქანის მუშაობა და შეამოწმეთ სავარძლის კავშირი. თუ სავარძლის კავშირი გამართულია, შესაკეთებლად დაუკავშირდით კვალიფიციურ სპეციალისტს.
	PTO გადამრთველის ხატულა ციმციმებს.	არ მიესადაგება	გათიშული	არა	მჭრელი პირების ძრავა გაჩერდა მუშაობისას და PTO გადამრთველი არ არის გამორთულ მდგომარეობაში.	ბალახის საკრეჭი მანქანის მუშაობის ხელახლა დაწყებამდე, მიაწექით PTO გადამრთველს ქვემოთ მჭრელი პირების ძრავის გასათიშად. იხილეთ პუნქტი „შეცდომებისა და დეფექტების აღმოჩენა და გამოსწორება“.
	ენერჯის რეგენერაციის ხატულა პერიოდულად ციმციმებს.	არ მიესადაგება	გათიშული	არა	დადმართზე მოძრაობისას ან დამუხრუჭებისას წარმოქმნილი კინეტიკური ენერჯია გარდაიქმნება ელექტროენერჯიად, რითაც იტენება აკუმულატორი.	ეს ჩვეულებრივი ოპერაციაა. არანაირი ჩარევა არ არის საჭირო.

LCD ეკრანი	აღწერა	დაზიანების კოდი LCD- ზე	ბალახის საკრეჭი მანქანის სტატუსის ინდიკატორი	სასიგნალო მოწყობილობა	გამომწვევი მიზეზი	პრობლემის გადაჭრის გზა	
	CCS ხატულა ციმციმებს	არ მიესადაგება	გათიშული	არა	CCS (კრუიზის კონტროლის სისტემა) ფუნქცია არ მუშაობს.	CCS ფუნქციის დაყენება შეუძლებელია, როდესაც ბალახის საკრეჭი მანქანის მართავა ხდება ძალიან დაბალი სიჩქარით ან მოძრაობს უკუსვლით.	
იხილეთ „დაზიანების კოდი“	მართვის მარცხენა ძრავა არ ბრუნავს.	PCBA კონტროლირებადი მარცხენა წევის ძრავა მწყობრიდანაა გამოსული.	413	გათიშული	ერთი ხმოვანი სიგნალი	PCBA გაუმართაობა	სარემონტო სამუშაოები შეასრულდებიან კვალიფიციური ტექნიკურ სპეციალისტს.
		შტეტვსელი (სამფაზიანი, დენის მავთული), რომელიც აკავშირებს მართვის მარცხენა ძრავას შესაბამის PCBA-სთან, მოშვებულია.	317	გათიშული	ერთი ხმოვანი სიგნალი	სუსტი კავშირი	
		შტეტვსელი (6-წვერიანი, სასიგნალო სადენი), რომელიც აკავშირებს მართვის მარცხენა ძრავას შესაბამის PCBA-სთან, მოშვებულია.	301	გათიშული	ერთი ხმოვანი სიგნალი	სუსტი კავშირი	
		მარცხენა წევის ძრავა მწყობრიდანაა გამოსული.	317	გათიშული	ერთი ხმოვანი სიგნალი	ძრავის გაუმართაობა	

KA

LCD ევრანი	აღწერა	დაზიანების კოდი LCD-ზე	ბალახის საკრეჭი მანქანის სტატუსის ინდიკატორი	სასიგნალო მოწყობილობა	გამომწვევი მიზეზი	პრობლემის გადაჭრის გზა	
იხილეთ „დაზიანების კოდი“	მართვის მარჯვენა ძრავა არ ბრუნავს.	PCBA კონტროლირებადი მარჯვენა წვევის ძრავა მწყობრიდანაა გამოსული.	313	გათიშული	ერთი ხმოვანი სიგნალი	PCBA გაუმართაობა	სარემონტო სამუშაოები შესრულებინეთ კვალიფიციური ტექნიკურ სპეციალისტს.
		შტეტსელი (3 ფაზიანი, დენის მავთული), რომელიც აკავშირებს მართვის მარჯვენა ძრავას შესაბამის PCBA-სთან, მოშვებულია	417	გათიშული	ერთი ხმოვანი სიგნალი	სუსტი კავშირი	
		შტეტსელი (6 წვერიანი, სასიგნალო სადენი), რომელიც აკავშირებს მართვის მარჯვენა ძრავას შესაბამის PCBA-სთან, მოშვებულია.	401	გათიშული	ერთი ხმოვანი სიგნალი	სუსტი კავშირი	
		მართვის მარჯვენა ძრავა მწყობრიდანაა გამოსული.	417	გათიშული	ერთი ხმოვანი სიგნალი	ძრავის გაუმართაობა	
იხილეთ „დაზიანების კოდი“	მარცხენა მჭრელი პირის ძრავა არ ბრუნავს.	PCBA-ს კონტროლის მარცხენა მჭრელი პირის ძრავა მწყობრიდანაა გამოსული.	607	არ მიესადაგება	ერთი ხმოვანი სიგნალი	PCBA გაუმართაობა	სარემონტო სამუშაოები შესრულებინეთ კვალიფიციური ტექნიკურ სპეციალისტს.
		შტეტსელი (სამფაზიანი, დენის მავთული), რომელიც აკავშირებს მარცხენა მჭრელი პირის ძრავას შესაბამის PCBA-სთან, მოშვებულია.	509	არ მიესადაგება	ერთი ხმოვანი სიგნალი	სუსტი კავშირი	პირველ რიგში, შეამოწმეთ მჭრელი პირები. თუ იგი მოშვებულია, მოუჭირეთ ჭანჭიკს რეკომენდებული მატრუნი მომენტით. სხვა შემთხვევაში, დაუკავშირდით კვალიფიციური ტექნიკურ სპეციალისტს.
		მარცხენა მჭრელი პირის ძრავა მწყობრიდანაა გამოსული	509	არ მიესადაგება	ერთი ხმოვანი სიგნალი	ძრავის გაუმართაობა	

KA

LCD ეკრანი	აღწერა	დაზიანების კოდი LCD-ზე	ბალახის საკრეჭი მანქანის სტატუსის ინდიკატორი	სასიგნალო მოწყობილობა	გამომწვევი მიზეზი	პრობლემის გადაჭრის გზა	
იხილეთ „დაზიანების კოდი“	მარჯვენა მჭრელი პირის ძრავა არ ბრუნავს.	PCBA კონტროლირებადი მარჯვენა მჭრელი პირის ძრავა მწყობრიდანაა გამოსული	507	არ მიესადაგება	ერთი ხმოვანი სიგნალი	PCBA გაუმართაობა	სარემონტო სამუშაოები შეასრულდით კვალიფიციური ტექნიკურ სპეციალისტს.
		შტეტვსელი (სამფაზიანი, დენის მავთული), რომელიც აკავშირებს მარჯვენა მჭრელი პირის ძრავას შესაბამის PCBA-სთან, მოშვებულია.	609	არ მიესადაგება	ერთი ხმოვანი სიგნალი	სუსტი კავშირი	პირველ რიგში, შეამოწმეთ მჭრელი პირები. თუ იგი მოშვებულია, მოუჭირეთ ჯანჭიკს რეკომენდებული მამბრუნი მომენტით. სხვა შემთხვევაში, დაუკავშირდით კვალიფიციური ტექნიკურ სპეციალისტს.
		მარჯვენა მჭრელი პირის ძრავა მწყობრიდანაა გამოსული.	609	არ მიესადაგება	ერთი ხმოვანი სიგნალი	ძრავის გაუმართაობა	სარემონტო სამუშაოები შეასრულდით კვალიფიციური ტექნიკურ სპეციალისტს.
იხილეთ „დაზიანების კოდი“	აჩქარების პედლები გაუმართავია	311/411	გათიშული	ერთი ხმოვანი სიგნალი	PCBA გაუმართაობა	სარემონტო სამუშაოები შეასრულდით კვალიფიციური ტექნიკურ სპეციალისტს.	
		307/407			სუსტი კავშირი		
იხილეთ „დაზიანების კოდი“	საჭე გაუმართავია	312/412	გათიშული	ერთი ხმოვანი სიგნალი	PCBA გაუმართაობა სუსტი კავშირი	სარემონტო სამუშაოები შეასრულდით კვალიფიციური ტექნიკურ სპეციალისტს.	
იხილეთ „დაზიანების კოდი“	სადგომი მუხრუჭი გაუმართავია, ბალახის საკრეჭის მართვა შეუძლებელია.	სადგომი მუხრუჭი PCBA, რომელიც მდებარეობს კორპუსის წინა ნაწილში, დაზიანებულია.	309/409	გათიშული	ერთი ხმოვანი სიგნალი	PCBA გაუმართაობა	სარემონტო სამუშაოები შეასრულდით კვალიფიციური ტექნიკურ სპეციალისტს.
		სადგომი მუხრუჭის გადამრთველი და/ან სადენი დაზიანებულია.	801	გათიშული	ერთი ხმოვანი სიგნალი	სადენის/ჩამრთველის გაუმართაობა	

KA

LCD ეკრანი	აღწერა	დაზიანების კოდი LCD-ზე	ბალახის საკრეჭი მანქანის სტატუსის ინდიკატორი	სასიგნალო მოწყობილობა	გამომწვევი მიზეზი	პრობლემის გადაჭრის გზა
გათიშული	დატენვის პორტი დაზიანებულია.	არ მიესადაგება	მუქი წითელი	არ მიესადაგება	დატენვის პორტი ღია წრედშია ჩართული.	სარემონტო სამუშაოები შეასრულდნენ კვალიფიციური ტექნიკურ სპეციალისტს.
		არ მიესადაგება	მუქი წითელი	არ მიესადაგება	ელექტროენერჯის მიწოდება არ ხდება.	შეამოწმეთ შტექსელის როზეტი, რამდენად მიეწოდება 220V-240V და რამდენად მუშაობს ის.
		არ მიესადაგება	მუქი წითელი	არ მიესადაგება	დნობადი მცველი გადაიწვა.	სარემონტო სამუშაოები შეასრულდნენ კვალიფიციური ტექნიკურ სპეციალისტს.
იხილეთ „დაზიანების კოდი“	დატენვის პორტი გაუმართავია	204	არ მიესადაგება	ერთი ხმოვანი სიგნალი	დატენვის პორტი ღია წრედშია ჩართული.	სარემონტო სამუშაოები შეასრულდნენ კვალიფიციური ტექნიკურ სპეციალისტს.
იხილეთ „დაზიანების კოდი“	აკუმულატორის ყუთი არ მუშაობს.	217	არ მიესადაგება	ერთი ხმოვანი სიგნალი	აკუმულატორის ყუთიდან ელექტრომომარაგება ვერ ხერხდება. LED ფარები და USB არ იმუშავებს.	სარემონტო სამუშაოები შეასრულდნენ კვალიფიციური ტექნიკურ სპეციალისტს.
		310/410	გათიშული	ერთი ხმოვანი სიგნალი	აკუმულატორის ყუთის C ტიპის სადენებსა და ბალახის საკრეჭი მანქანის სხვა C ტიპის სადენებს შორის კავშირი არ მუშაობს.	
		201/202/203	გათიშული	ერთი ხმოვანი სიგნალი	აკუმულატორის ყუთის BMS დაზიანებულია	
იხილეთ „დაზიანების კოდი“	ჩართვა/გამორთვის გადამრთველი გაუმართავია	314/414	გათიშული	ერთი ხმოვანი სიგნალი	გადართეთ PCBA-ს გაუმართაობა ან ჩართვა-გამორთვის გადამრთველის ცუდი კავშირი.	სარემონტო სამუშაოები შეასრულდნენ კვალიფიციური ტექნიკურ სპეციალისტს.
იხილეთ „დაზიანების კოდი“	LCD ეკრანი დაზიანებულია.	315/415	გათიშული	ერთი ხმოვანი სიგნალი	LCD დაზიანებულია ან ცუდი კავშირია.	სარემონტო სამუშაოები შეასრულდნენ კვალიფიციური ტექნიკურ სპეციალისტს.

KA



## გარანტია

EGO-ს საგარანტიო პოლიტიკა

გთხოვთ ეწვიოთ ვებ-გვერდს [egopowerplus.com](http://egopowerplus.com), რათა გაეცნოთ EGO-ს საგარანტიო მომსახურების სრულ წესებს და პირობებს.

KA

# 790

მოხვევის ნულოვანი რადიუსის მქონე ბალახის საკრეჭი მანქანა — ZT4200E-S

## PROČITAJTE SVA UPUTSTVA!



PROČITAJTE PRIRUČNIK ZA RUKOVAOCA

## SIGURNOSNI SIMBOL

Svrha sigurnosnih simbola je da vam skrenu pažnju na moguće opasnosti. Sigurnosni simboli i objašnjenja uz njih zaslužuju vašu pomnu pažnju i shvatanje. Simboli upozorenja, sami po sebi, ne eliminišu nikakve opasnosti. Uputstva i upozorenja koja oni daju nisu zamena za odgovarajuće mere sprečavanja nezgoda.

**⚠ UPOZORENJE:** Obavezno pročitajte i shvatite sva sigurnosna uputstva u ovom Priručniku za rukovaoca, obuhvatajući i sve simbole sigurnosnih upozorenja poput „**OPASNOST**“, „**UPOZORENJE**“ i „**OPREZ**“ pre korišćenja ovog alata. Nepridržavanje svih dole navedenih uputstava može da dovede do strujnog udara, požara i/ili ozbiljne telesne povrede.

## ZNAČENJE SIMBOLA

Ova stranica prikazuje i opisuje sigurnosne simbole koji mogu da se pojave na ovom proizvodu. Pročitajte, shvatite i sledite sva uputstva na mašini pre no što pokušate da je sklopite i da rukujete njom.

## SIGURNOSNI SIMBOLI

	Sigurnosno upozorenje		Pročitajte i shvatite priručnik za rukovaoca
	Zaštita za oči		Održavajte bezbednosne uređaje
	OPASNOST – Opasnost na oštrm nagibu		OPASNOST – Držite prolaznike dalje od sečiva
	Nikada nemojte voziti decu		Gledajte iza sebe dok idete unazad
	UPOZORENJE - Ne koristite ovu mašinu na nagibima većim od 12°		OPASNOST – Izbačeni predmeti
	UPOZORENJE – DRŽITE ŠAKE I STOPALA DALJE		Garantovani nivo zvučne snage. Prema Direktivi Evropske zajednice.

SR





Ne gaziti



Ovaj proizvod je u skladu sa primenjivim direktivama EC



Jednosmerna struja

kPa Kilopaskal

V Volt

in Inč

Nm Njutn metar

°C Celzijus

km/h Kilometara na sat



Otpadni električni proizvodi ne smeju da se odlažu sa otpadom iz domaćinstva. Odnosite ih u ovlašćeni centar za reciklažu.



OPREZ - Nemojte gledati u uključenu lampu.



Ovaj proizvod je u skladu sa primenjivim zakonima UK.

O/min

Obrtaji u minutu

m

Metri

cm

Centimetri

mm

Milimetri

kg

Kilogram

IPX4

Stepen zaštite od prodora

## SIGURNOSNI SIMBOLI



Na informaciju treba obratiti pažnju



Navedena akcija se zaustavlja

## SPECIFIKACIJE

Napon		56 V
Veličina platforme		107 cm
Veličina točkova	Prednje	279,4 x 101,6 – 127 mm
	Zadnje	457,2 x 241,3 – 203,2 mm
Pritisak hladne gume	Prednje	222,1 kPa
	Zadnje	110,3 kPa
Poluprečnik skretanja		0
Brzina sečiva (o/min)		2400; 2600; 2800; 3000
Maksimalna brzina vožnje	Napred	4,8 km/h, 8,1 km/h, 9,7 km/h, 11,3 km/h (12,8 km/h u režimu putovanja)
	Nazad	do 5,6 km/h

Punjenje	Punjač (opcionalan)	CHV1600E
	Adapter (opcionalan)	ACA1000
	Opseg temperature punjenja	Od 5 do 40°C
Podešavanje visine košenja (10 pozicija)		25-100 mm
Radna temperatura		Od 0 do 40°C
Temperatura skladištenja		Od -20 do +70°C
Težina (bez baterije)		196 kg
Izmereni nivo jačine zvuka $L_{WA}$		96,44 dB(A) K=0,68 dB(A)
Nivo zvučnog pritiska na uhu rukovaoca $L_{PA}$		84,3 dB(A) K=3,0 dB(A)

SR

# 792

TRAKTORSKA KOSILICA KOJA SKREĆE U MESTU— ZT4200E-S

Garantovani nivo zvučne snage $L_{WA}$ (izmereno u skladu sa Direktivom 2000/14/EC)		100 dB(A)
Vibracije $a_h$	Šaka	1,221 m/s <sup>2</sup> K=1,5 m/s <sup>2</sup>
	Telo	0,568 m/s <sup>2</sup> K=1,5 m/s <sup>2</sup>

- Deklarisana ukupna vrednost vibracije je izmerena u skladu sa standardnim metodom testiranja i može se koristiti za upoređivanje jednog alata sa drugim;
- Deklarisana ukupna vrednost vibracije može se koristiti i u preliminarnoj proceni izlaganja.

**NAPOMENA:** Emisija vibracija tokom stvarne upotrebe električnog alata može da se razlikuje od deklarisanе vrednosti u kojoj se alat koristi. Da bi se rukovalac zaštitio, korisnik bi trebalo da nosi rukavice i štitnike za uši u stvarnim uslovima korišćenja.

## PREPORUČENI DODACI

**▲ UPOZORENJE:** Upotrebljavajte samo identične rezervne delove navedene ispod. Upotreba delova koji ne ispunjavaju specifikacije originalne opreme može da dovede do nepravilnog rada i kompromitovane bezbednosti.

NAZIV DELA	BROJ MODELA
Standardno sečivo	AB4200
Sečivo za visoko izbacivanje	AB4201
Umetak za malčiranje	AMP4200
Komplet vreća za travu	ABK4200-A
Zadnji branik	AMB1000
Prtljažnik	AMG1000
Suncobran	AMS1000

## OPIS

### UPOZNAJTE SVOJU KOSILICU (slika A1)

- Sedište
- Port za punjenje
- Pogonska jedinica
- LED zadnje svetlo
- Odeljak za skladištenje
- LED bočno svetlo
- Zadnji točak (pogonski točak)
- Port za pranje
- Platforma
- Štitnik platforme
- Točak protiv skalpiranja
- Prednji točak
- Pedala parkirne kočnice
- Dnevna svetla
- LED prednja svetla
- Pedala gasa
- Prostor za oslanjanje nogu
- Bočni izlazni otvor
- Poluga za podešavanje visine platforme
- Okruglo dugme za podešavanje vešanja sedišta
- Volan
- Desna kutija
- Poluga za podešavanje položaja sedišta
- PTO prekidač
- Start/stop dugme
- Sigurnosni ključ
- Prorez za skladištenje telefona
- Držači šolja
- Levo veslo
- Indikator statusa kosilice
- LCD ekran
- Desno veslo
- Dugme za podešavanje brzine sečiva
- CCS dugme

35. Dugme za režim vožnje
36. Prekidač za LED svetla
37. Dugme za podešavanja brzine vožnje
38. Dugme za oslobađanje poklopca pogonske jedinice
39. Poklopac pogonske jedinice
40. Pogonska jedinica sa šest odeljaka za baterije
41. Dugme za otpuštanje baterije
42. Priključak za prikolicu
43. Poklopac za montiranje priključka
44. USB port

### UPOZNAJTE LCD EKRAN (slika A2)

Pogledajte odeljak „KODOVI STATUSA KOSILICE ZA REFERENCE I GREŠKE“ za više informacija o ikonicama i indikatorima na LCD ekranu.

1. Ikonica za rikverc
2. Ikonica za CCS
3. Ikonica za sigurnosni ključ
4. Ikonica za LED svetla
5. Ikonica za automatsko parkiranje
6. Ikonica za USB
7. Indikator brzine sečiva
8. Indikator statusa bezbednosnog uređaja
9. Brojač sati
10. Ikonica praznog odeljka za bateriju
11. Ikonica temperature
12. Ikonica zauzetog odeljka za bateriju
13. Režim vožnje
14. Indikator za kodove kvarova
15. Indikator preopterećenja
16. Indikator za slabu bateriju
17. Pokazivač goriva
18. Indikator za opterećenje
19. Indikator za brzinu vožnje

SR

## RASPAKIVANJE

**NAPOMENA:** Sačuvajte ambalažu dok ne budete pažljivo pregledali proizvod i rukovali njime na zadovoljavajući način. Ako su bilo koji delovi sa popisa pakovanja sklopljeni na mašini, odmah se obratite EGO servisu.

**NAPOMENA:** Osim alata na donjem popisu pakovanja, svi drugi alati pomenuti u priručnicima su samo preporučeni ali nisu priloženi.

**NAPOMENA:** Ne uklanjajte penasti blok ispod volana pre no što volan bude pravilno instaliran. Vibracije tokom kretanja mogu izazvati oštećenja volana.

### POPIS PAKOVANJA (SLIKA B)

B-1	Traktorska kosilica koja skreće u mestu	B-2	Sedište
B-3	Umetak za malčiranje	B-4	Inbus vijci (2 za rezervu)
B-5	Inbus ključ	B-6	Nasadni ključ
B-7	Open-End Ključ	B-8	Sigurnosni ključevi
B-9	Brza spojnica za port za pranje	B-10	Priručnici za rukovaoca

## SASTAVLJANJE

### INSTALIRANJE SEDIŠTA (slika C1-C4)

**⚠ UPOZORENJE:** Sigurnosni sistem međusobnog zaključavanja se ne sme odvajati niti zaobilaziti. To može uzrokovati da kosilica funkcioniše nepredvidivo, rezultujući telesnim povredama.

**NAPOMENA:** Radi vaše bezbednosti, kosilica može stopirati vožnju kad se prekidač sedišta odvoji tokom vožnje. U ovom slučaju, pogledajte odeljak „REŠAVANJE PROBLEMA“ za više informacija.

C1-1	Utičnica	C1-2	Utikač
C1-3	Kabl	C2-1	Ručica sedišta
C2-2	Osnova vešanja	C2-3	Inbus ključ

C2-4	Inbus vijci	C2-5	Poluga za podešavanje položaja sedišta
C3-1	Čelične šine	C3-2	Inbus ključ
C3-3	Inbus vijci	C4-1	Kukica

### POSTAVLJANJE VOLANA (slika C5-C6)

C5-1	Zavrtnaj za zaključavanje	C5-2	Šipka
C6-1	Blok za lociranje	C6-2	Prorez
C6-3	Zaštita volana		

### PRIČVRŠĆIVANJE UMETKA ZA MALČIRANJE (slika C7)

C7-1	Bočni izlazni otvor	C7-2	Umetak za malčiranje
C7-3	Pokretna opruga		

## PODEŠAVANJE

### PRE PODEŠAVANJA (slika D1)

### PODEŠAVANJE VISINE PLATFORME (slika D2)

### PODEŠAVANJE TOČKOVA PROTIV SKALPIRANJA (slika D3-D6)

D3-1	Točak protiv skalpiranja	D5-1	Matica
D5-2	Zavrtnaj	D6-1	Oznaka visine platforme

### PODEŠAVANJE SEDIŠTA (slika D7)

D7-1	Poluga za podešavanje položaja sedišta	D7-2	Okruglo dugme za podešavanje vešanja sedišta
------	--	------	--

### PODEŠAVANJE VOLANA (slika D8)

D8-1	Zavrtnaj za zaključavanje	D8-2	Šipka
D8-3	Blok za lociranje	D8-4	Prorez

## RUKOVANJE

### PRE RUKOVANJA (slika E1)

### POSTAVLJANJE PARKIRNE KOČNICE (slika E2)

E2-1	Otpušteni položaj	E2-2	Položaj za kočenje
------	-------------------	------	--------------------

**NAPOMENA:** Nikad ne pritiskajte pedalu parkirne kočnice da biste smanjili brzinu. Kad pedala parkirne kočnice bude pritisnuta dovoljno ali ne u pun položaj parkiranja, kosilica će prestati da se kreće na ravnoj površini ali, ako se to desi na nagibu, kosilica može kliziti niz nagib.

### SPAJANJE/ODVAJANJE BATERIJE (slika E3-E6)

Da biste startovali ovu kosilicu, neophodne su EGO baterije sa ukupno 15 Ah (2 X BA4200/BA4200T) ili više. Za najbolje performanse preporučujemo upotrebu EGO baterija sa ukupno 30 Ah ili više.

E3-1	Dugme za otpuštanje poklopca	E5-1	Dugme za oslobađanje baterije
------	------------------------------	------	-------------------------------

### PUNJENJE KOSILICE

Koristite samo sa preporučenim baterijama i punjačima.

- Baterije punite zasebno (slika E7)

**NAPOMENA:** Pogledajte odgovarajuće priručnike za bateriju i punjač radi detaljnog uputstva.

- Baterije punite kroz port za punjenje (slika E8-E10)

E10-1	Poklopac protiv prašine	E10-2	Port za punjenje
-------	-------------------------	-------	------------------

SR

## TESTIRANJE SIGURNOSNOG SISTEMA MEĐUSOBNOG ZAKLJUČAVANJA

- a. Da biste testirali sistem platforme i sečiva (slika E11-E12)
- b. Da biste testirali sistem vožnje (slika E13-E14)

Ako sistem platforme i sečiva i/ili sistem vožnje neće da se stopira kad rukovalac ustane sa sedišta i ako se razlog ne može utvrditi nakon potvrđivanja da su utikač i utičnica sedišta dobro povezani, odmah se obratite centru EGO korisničke službe.

## KONTROLNA LISTA PRE RUKOVANJA

- Osigurajte da na mestu rada nema dece, prolaznika i kućnih ljubimaca.
- Očistite mesto rada od predmeta koji mogu biti izbačeni sečivom kosilice.
- Očistite prljavštinu sa kosilice.
- Proverite da li ima labavih spojnica.
- Proverite da li su svi štitnici na svom mestu i da li pravilno rade.
- Vizuelno proverite da li su gume naduvane.
- Proverite funkcionisanje kočnice.
- Podesite visinu platforme u željeni položaj košenja koji najbolje odgovara travnjaku i podesite točkove protiv skalpiranja shodno tome.
- Podesite položaj sedišta i vodite računa da možete da dosegnete obe pedale.
- Podesite volan u željeni položaj ako je neophodno.
- Proverite nivo napunjenosti baterije.
- Testirajte sigurnosni sistem međusobnog zaključavanja.

## STARTOVANJE KOSILICE (slika E15-E16)

**⚠ UPOZORENJE:** Izbegavate naglo startovanje, stopiranje i skretanje, kao i prekomernu brzinu, naročito kad prvi put učite da rukujete kosilicom. Kosilica može da se brzo zavrti, što može izazvati da izgubite kontrolu i dovesti do ozbiljne povrede i/ili štete.

SR

**⚠ UPOZORENJE:** Pre pokretanja kosilice, proverite i osigurajte da noževi ne budu angažovani u roku od 5 sekundi kad pritisnete PTO prekidač nadole. Ako se sečiva ne stopiraju, ne koristite kosilicu i odmah se obratite EGO korisničkoj službi.

**NAPOMENA:** Pratite sliku E17 i E18 da biste dobili najmanju brzinu vožnje i STANDARDNI režim vožnje dok ne budete bili potpuno sposobni za rukovanje kosilicom u svim situacijama.

Kosilica će sačuvati i ponuditi prethodni režim vožnje, brzinu vožnje i kalibraciju volana kad je restartujete.

## PODEŠAVANJE REŽIMA VOŽNJE (slika E17)

- **KONTROLNI:** Manje ubrzanje, manje osetljivo rukovanje i mala brzina skretanja radi zaštite trave i za nove korisnike.
- **STANDARDNI:** Savršen za svakodnevnu upotrebu.
- **SPORTSKI:** Veće ubrzanje, precizno rukovanje i oštro skretanje radi povećavanja efikasnosti košenja i za entuzijaste košenja.

**NAPOMENA!** Režim vožnje ne može da se podešava tokom vožnje. Funkcija će se aktivirati samo kad su točkovi kosilice stopirani.

## Podešavanje brzine vožnje (slika E18)

**NAPOMENA!** Kad ste u turbo režimu, pritisnete „-“, brzina vožnje će se vratiti na prethodni režim.

## Podešavanje brzine sečiva (slika E19)

### LED svetla

- Prednja, bočna i zadnja svetla se kontrolišu prekidačem LED svetla.
- Dnevna svetla uvek rade tokom vožnje.
- Kada idete unazad, ako su zadnja svetla isključena ona će bljeskati da bi upozorila prolaznike; ako su zadnja svetla uključena ona će ostati uključena.
- Sva svetla će se automatski isključiti kad se kosilica automatski isključi nakon određenog vremena bez rukovanja.

### USB port

**NAPOMENA:** USB port omogućava punjenje snage 5 volti jednosmerne struje pri ukupno 1,5 ampera i funkcioniše samo kad je kosilica startovana

## STOPIRANJE KOSILICE (slika E20)

**NAPOMENA:** Posle više od 60 minuta neaktivnosti, kosilica će se automatski isključiti.

### Režim odlaska kući

Kad napunjenost baterije postane kritično niska, kosilica će ući u režim odlaska kući da bi sačuvala dovoljno snage za povratak u oblast za punjenje.

- Sečiva se prebacuju na malu brzinu rotacije, koja može da kosi samo veoma malu količinu trave. Kad naiđu na visoku i gustu travu, sečiva će prestati da se rotiraju. Zvučni indikator će se isprekidano oglašavati (pištati).
- Indikator statusa kosilice će bljeskati crveno svake sekunde a indikator za slabu bateriju i grafika baterije na pokazivaču goriva će bljeskati.

Rukovalac treba da:

- Pritisne PTO prekidač nadole da biste isključili motore sečiva. Zvučni indikator će prestati da se oglašava kad se motori sečiva stopiraju.
- Stopira rad i ode na mesto punjenja što pre. Maksimalna udaljenost koju kosilica može da pređe je 1000 m.

Kad je baterija skoro ispražnjena, ikonica svakog zauzetog odeljka za bateriju i indikator slabe baterije će treperiti svakih pola sekunde. Kosilica će momentalno stopirati rad. Rukovalac će morati da transportuje kosilicu do mesta za punjenje radi punjenja.

**NAPOMENA:** Ako je potrebno ručno guranje, osigurajte da baterije budu odvojene od kosilice i da pedala parkirne kočnice bude oslobođena iz položaja kočenja.

### VOŽENJE KOSILICE (slika E21)

**▲ OPASNOST:** Budite udaljeni najmanje dve širine otkosa od bilo kakvih jaraka, litica ili vode. Prednji točkovi mogu da se okreću kad je kosilica stopirana, čak i sa aktiviranom kočnicom, i da izazovu da kosilica padne preko ivice ili u vodu te da rezultuju smrću ili ozbiljnom telesnom povredom.

**▲ UPOZORENJE:** Budite svesni onoga što je iza kosilice pre kretanja unazad. NEMOJTE kositi unazad osim ako nije apsolutno neophodno. Uvek gledajte dole i nazad pre i tokom kretanja unazad da biste osigurali da deca, prolaznici ili kućni ljubimci ne uđu u oblast košenja. Imajte na umu da je za izazivanje smrti ili teških povreda dovoljan samo delić sekunde nepažnje.

**▲ UPOZORENJE:** Ne rukujte ovom mašinom na javnim putevima.

**▲ UPOZORENJE:** Ako dođe do blokade ili udarite strani predmet, stopirajte motore i izvadite baterije. Uklonite pokošenu travu, lišće, zemlju i svu drugu nagomilanu prljavštinu; temeljno pregledajte da li na kosilici ima oštećenja i popravite ih pre restartovanja kosilice i rukovanja njom.

### KORIŠĆENJE TEMPOMATA (CCS)

**Za aktiviranje CCS tokom vožnje (slika E22)**

**NAPOMENA!** Nivo brzine vožnje prikazan na LCD ekranu možda neće precizno predstavljati stvarnu brzinu vožnje kosilice u režimu tempomata. Pritisnite jedno od dugmadi za podešavanje brzine („←“ ili „→“) da biste „osvežili“ i podesili nivo brzine vožnje na LCD ekranu.

**Da biste izašli iz CCS režima i stopirali kosilicu,** možete da izaberete jedan od četiri načina:

- Blago pritisnite pedalu gasa a onda je pustite.
- Povucite levo/desno veslo prema sebi a zatim ga pustite.
- Pritisnite pedalu parkirne kočnice.
- Pritisnite CCS dugme.

**NAPOMENA!** Pritisnite pedalu gasa do kraja da biste postigli aktuelnu CCS brzinu vožnje i nastavite da pritiskate. CCS funkcija će se stopirati a kosilica će nastaviti da vozi na aktuelnoj brzini.

## ODRŽAVANJE

**▲ UPOZORENJE:** Uvek nosite zaštitne naočare sa bočnim štitnicima. Nepostupanje u skladu sa tim može da rezultira odbacivanjem predmeta u oči koji rezultuju mogućim teškim povredama.

**▲ UPOZORENJE:** Uvek zaštitite ruke tako što ćete nositi debele rukavice ili umotati oštre ivice krpama ili drugim materijalom kad radite bilo kakvo održavanje na sečivu kosilice. Uvek izvadite sigurnosni ključ i baterije kad servisirate ili transportujete kosilicu.



Interval servisnog održavanja	Procedura održavanja
Pre svake upotrebe ili jednom na dan	<ul style="list-style-type: none"> <li>▪ Proverite sigurnosni sistem međusobnog zaključavanja.</li> <li>▪ Vizuelno proverite da li su gume naduvane.</li> <li>▪ Pregledajte sečiva.</li> <li>▪ Pregledajte ceo proizvod da biste videli da li ima oštećenih, nedostajućih ili labavih delova poput bočnog izlaznog otvora, vijaka, navrtnja, zavrtnja, kapica itd., osiguravajući da svi štيتnici budu na svom mestu i da pravilno funkcionišu.</li> <li>▪ Proverite da li se pedala gasa može pravilno pritisnuti i pustiti i osigurajte da može.</li> <li>▪ Proverite prigušivač volana. Volan bi trebalo da se rotira uz određeni otpor.</li> </ul>
Posle svake upotrebe	<ul style="list-style-type: none"> <li>▪ Očistite platformu.</li> </ul>
Svakih 25 sati	<ul style="list-style-type: none"> <li>▪ Proverite pritisak guma.</li> </ul>
Svakih 100 sati	<ul style="list-style-type: none"> <li>▪ Proverite zadnje točkove, osiguravajući da sve matice budu zategnute na preporučeni obrtni moment.</li> </ul>
Svakih 200 sati	<ul style="list-style-type: none"> <li>▪ Proverite prednje točkove, osiguravajući da se slobodno okreću.</li> </ul>
Pre skladištenja	<ul style="list-style-type: none"> <li>▪ Izvadite baterije iz kosilice.</li> <li>▪ Izvadite sigurnosni ključ iz kosilice.</li> <li>▪ Uradite sve procedure održavanja navedene iznad i temeljno očistite kosilicu.</li> <li>▪ Pregledajte ceo proizvod da li ima oštećenih, nedostajućih ili labavih delova i zamenite odnosno zategnite ih po potrebi pre skladištenja.</li> </ul>

Jednom godišnje	<ul style="list-style-type: none"> <li>▪ Proverite pedalu parkirne kočnice. Izvadite bateriju iz kosilice i postavite pedalu parkirne kočnice u položaj kočenja. Ručno gurnite kosilicu unapred da biste videli da li se kosilica može kretati ili ne. Ako se kreće, odnesite je na servis kod kvalifikovanog servisnog tehničara.</li> </ul>
-----------------	---

## OPŠTE ODRŽAVANJE

### Čišćenje kućišta kosilice (slika F1-F2)

### Korišćenje porta za pranje za čišćenje platforme (slika F3-F4)

F2-1	Port za pranje	F2-2	Brza spojnica za port za pranje
F2-3	Baštensko crevo		

**NAPOMENA:** Kad završite čišćenje, potpuno isključite kosilicu a zatim skinite baštensko crevo i brzu spojnicu.

## ODRŽAVANJE PLATFORME I SEČIVA

### PRIPREMA (slika G1)

### Uklanjanje platforme (slika G2-G3)

G2-1	Kabl motora	G2-2	Spona vešanja
G2-3	Osigurač		

**NAPOMENA:** Odvojite sve kablove motora i osigurače kad uklanjate platformu.

### Zamena sečiva (slika G4-G6)

G4-1	Stabilizator	G5-1	Zavrtnj
G5-2	Podloška	G5-3	Sečivo
G5-4	Prirubnica	G5-5	Vratilo motora

### Nivelisanje platforme

#### a. Kada nivelisati (slika G7-G9)

#### b. Pre nivelisanja

- Provera pritiska hladne gume (slika G10)
- Provera sečiva. Uklonite i zamenite pohabana, napukla i/ili iskrivljena sečiva po potrebi.



c. Priprema za nivelisanje (slika G11)

d. Kako nivelisati

- Za podešavanje levo-desno (slika G12)
- Za podešavanje napred-nazad (slika G13)

## KALIBRISANJE SISTEMA ZA PRAĆENJE KOSILICE (slika H1-H2)

**NAPOMENA:** Zvučni indikator će se jednom oglasiti i kad kalibracija startuje i kad se kalibracija završi.

**NAPOMENA!** Kalibracija urađena za jedan od režima vožnje (kontrolni, standardni, sportski) možda neće biti dostupna za druga dva režima. Kalibrišite volan nezavisno u svakom režimu vožnje po potrebi.

## RESETOVANJE KOSILICE NA POČETNE FABRIČKE POSTAVKE (slika I)

**NAPOMENA:** Zvučni indikator će se jednom oglasiti i kad resetovanje startuje i kad se resetovanje završi.

**NAPOMENA!** Kad je resetovanje uspešno, donje postavke će se vratiti na početne fabričke postavke:

- režim vožnje
- brzina vožnje
- kalibracija volana

# SKLADIŠTENJE I TRANSPORT

## TRANSPORTOVANJE KOSILICE (slika J1-J5)

**NAPOMENA:** Pričvrstite kosilicu prema potrebi, pomoću kaiša ili kablova, da biste sprečili pomeranje tokom transporta.

## SKLADIŠTENJE (slika K1-K2)

**NAPOMENA:** Izvadite baterije i skladištite ih u skladu sa odgovarajućim priručnicima.

Očistite i proverite kosilicu pre skladištenja u skladu sa odeljcima „ČIŠĆENJE KOSILICE“ i „PREPORUČENI RASPORED ODRŽAVANJA“.

## Zaštita životne sredine




WEEE (otpadna električna i elektronska oprema): ne odlažite električnu opremu, potrošene baterije i punjače u kućni otpad!

Odnosite ovaj proizvod u ovlašćeni pogon za reciklažu ili ga odvojite od ostalog smeća radi zasebnog prikupljanja. Električni alati moraju se odneti u ekološki prihvatljiv pogon za reciklažu.

## REŠAVANJE PROBLEMA

PROBLEM	UZROK	REŠENJE
Traktorska kosilica koja skreće u mestu neće da vozi kad se pritisne pedala gasa.	<ul style="list-style-type: none"> <li>Ukupni Ah umetnutih baterija ne ispunjava zahtev.</li> </ul>	<ul style="list-style-type: none"> <li>Da biste startovali ovu kosilicu, koristite dovoljno EGO baterija prateći uputstvo u odeljku „<b>SPAJANJE/ODVAJANJE BATERIJE</b>“ u ovom priručniku.</li> </ul>
	<ul style="list-style-type: none"> <li>Pedala parkirne kočnice je postavljena u položaj kočenja.</li> </ul>	<ul style="list-style-type: none"> <li>Pritisnite pedalu parkirne kočnice do kraja da biste je otpustili iz položaja kočenja.</li> </ul>
	<ul style="list-style-type: none"> <li>Levo i desno veslo nisu kratko povučeni prema rukovaocu da bi indikator statusa kosilice zasvetleo zeleno prilikom startovanja kosilice.</li> </ul>	<ul style="list-style-type: none"> <li>Povucite OBA vesla, i levo i desno, prema sebi istovremeno a zatim ih pustite. Indikator statusa kosilice će svetleti zeleno, što znači da je kosilica spremna za startovanje.</li> </ul>
	<ul style="list-style-type: none"> <li>Rukovalac ne sedi na sedištu.</li> </ul>	<ul style="list-style-type: none"> <li>Rukovalac može rukovati kosilicom isključivo kad pravilno sedi na sedištu.</li> </ul>
	<ul style="list-style-type: none"> <li>Prekidač sedišta nije pravilno spojen.</li> </ul>	<ul style="list-style-type: none"> <li>Izvadite bateriju iz kosilice i rasklopite sedište prateći obrnutim redosledom uputstva u odeljku „<b>INSTALIRANJE SEDIŠTA</b>“ u ovom priručniku da biste osigurali da je utikač kabla pravilno spojen na utičnicu na donjem delu sedišta. Ponovo sklopite sedište i pratite uputstva u odeljku „<b>STARTOVANJE KOSILICE</b>“ da biste restartovali kosilicu i videli da li se kosilica može startovati. Ako ne, obratite se kvalifikovanom servisnom tehničaru radi popravke.</li> </ul>
	<ul style="list-style-type: none"> <li>Po ekstremno hladnom vremenu, funkcija vožnje možda neće uspešno startovati zbog zaštite od niske temperature.</li> </ul>	<ul style="list-style-type: none"> <li>Uvek čuvajte kosilicu i bateriju u toplom okruženju. Restartujte kosilicu kad se bude ugrijala. Nemojte pokušavati više puta u ekstremno hladnom vremenu jer to može oštetiti mašinu.</li> </ul>
	<ul style="list-style-type: none"> <li>Putanja kojom se kreće pedala gasa je blokirana prljavštinom.</li> </ul>	<ul style="list-style-type: none"> <li>Proverite da li ima prljavštine i uklonite je.</li> </ul>
	<ul style="list-style-type: none"> <li>Kvar mehaničkih ili elektronskih komponenti pedale gasa.</li> </ul>	<ul style="list-style-type: none"> <li>Obratite se kvalifikovanom servisnom tehničaru radi popravke.</li> </ul>

PROBLEM	UZROK	REŠENJE
Traktorska kosilica koje skreće u mestu stopira vožnju.	<ul style="list-style-type: none"> <li>Levom/desnom veslu je potrebno „resetovanje“.</li> </ul>	<ul style="list-style-type: none"> <li>Povucite levo/desno veslo prema sebi i pustite ga. Kosilica je spremna za vožnju kad indikator statusa svetli zeleno.</li> </ul>
	<ul style="list-style-type: none"> <li>Kvar elektronskih komponenti pedale gasa.</li> </ul>	<ul style="list-style-type: none"> <li>Obratite se kvalifikovanom servisnom tehničaru radi popravke.</li> </ul>
	<ul style="list-style-type: none"> <li>Sigurnosni sistem međusobnog zaključavanja sedišta se odvojio tokom vožnje na neravnom terenu.</li> </ul>	<ul style="list-style-type: none"> <li>Izvadite bateriju iz kosilice i rasklopite sedište prateći obrnutim redosledom uputstva u odeljku „<b>INSTALIRANJE SEDIŠTA</b>“ u ovom priručniku da biste osigurali da je utikač kabla pravilno spojen na utičnicu na donjem delu sedišta. Ponovo sklopite sedište i pratite uputstva u odeljku „<b>STARTOVANJE KOSILICE</b>“ da biste restartovali kosilicu i videli da li se kosilica može startovati. Ako ne, obratite se kvalifikovanom servisnom tehničaru radi popravke.</li> </ul>
	<ul style="list-style-type: none"> <li>Težina rukovaoca nije ravnomerno raspoređena na sedištu. Težina rukovaoca na sedištu mora biti najmanje 20 kg da bi sigurnosni sistem međusobnog zaključavanja sedišta pravilno funkcionisao</li> </ul>	<ul style="list-style-type: none"> <li>Pravilno sedite na sedištu, povucite levo/desno ili oba vesla ka sebi i pustite ih, potom je kosilica spremna za vožnju.</li> </ul>
	<ul style="list-style-type: none"> <li>Pedala parkirne kočnice je pritisnuta da bi se smanjila brzina vožnje. Kad je pedala parkirne kočnice pritisnuta dovoljno ali ne u parkirni položaj, kosilica će se stopirati.</li> </ul>	<ul style="list-style-type: none"> <li>Odvojite i ponovo spojite bateriju ako je neophodno.</li> <li>Pratite uputstva u odeljku „<b>STARTOVANJE KOSILICE</b>“ da biste restartovali kosilicu.</li> </ul>
Režim vožnje ne može da se podešava tokom vožnje.	<ul style="list-style-type: none"> <li>To je funkcija traktorske kosilice koja skreće u mestu radi bezbedne vožnje.</li> </ul>	<ul style="list-style-type: none"> <li>Funkcija će se aktivirati samo kad su točkovi kosilice stopirani.</li> </ul>

PROBLEM	UZROK	REŠENJE
<p>Traktorska kosilica koje skreće u mestu neće da startuje sečiva kad se aktivira PTO prekidač.</p>  <p>Ikonica PTO prekidača treperi</p>	<ul style="list-style-type: none"> <li>Ukupni Ah umetnutih baterija ne ispunjava zahtev.</li> </ul>	<ul style="list-style-type: none"> <li>Da biste startovali ovu kosilicu, koristite dovoljno EGO baterija prateći uputstvo u odeljku „<b>SPAJANJE/ODVAJANJE BATERIJE</b>“ u ovom priručniku.</li> </ul>
	<ul style="list-style-type: none"> <li>PTO prekidač nije bio pritisnut nadole kad je kosilica poslednji put isključena.</li> </ul>	<ul style="list-style-type: none"> <li>Gurnite PTO prekidač nadole a zatim nagore da biste restartovali motore sečiva.</li> </ul>
	<ul style="list-style-type: none"> <li>Kosilica je preopterećena u trenutku kad sečiva počinju da se rotiraju, pokrećući samozaštitu motora.</li> </ul>	<ul style="list-style-type: none"> <li>Startujte košenje trave prvo na manjoj brzini sečiva i ne povećavajte brzinu sečiva dok se sečiva ne rotiraju uspešno.</li> </ul>
	<ul style="list-style-type: none"> <li>Po ekstremno hladnom vremenu, motor sečiva možda neće uspešno startovati zbog zaštite od niske temperature.</li> </ul>	<ul style="list-style-type: none"> <li>Uvek čuvajte kosilicu i bateriju u toplom okruženju. Restartujte kosilicu kad se bude ugrijala. Nemojte pokušavati više puta u ekstremno hladnom vremenu jer to može oštetiti mašinu.</li> </ul>
	<ul style="list-style-type: none"> <li>Sečivo ometa deformisana platforma</li> </ul>	<ul style="list-style-type: none"> <li>Pozovite EGO centar za korisničku službu.</li> </ul>
	<ul style="list-style-type: none"> <li>Kosilica vozi u brzini za putovanje.</li> </ul>	<ul style="list-style-type: none"> <li>Kad kosilica vozi na brzini za putovanje, motori sečiva će se automatski stopirati.</li> </ul>

PROBLEM	UZROK	REŠENJE		
Sečiva stopiraju rad tokom košenja trave.	<ul style="list-style-type: none"> <li>▪ Kosilica je preopterećena.</li> </ul>	<ul style="list-style-type: none"> <li>▪ Povećajte visinu košenja platforme ili smanjite brzinu vožnje da biste smanjili opterećenje na kosilicu.</li> </ul>		
	<ul style="list-style-type: none"> <li>▪ Platforma kosilice je zapušena travom i prljavštinom.</li> </ul>	<ul style="list-style-type: none"> <li>▪ Očistite platformu i uverite se da sečiva mogu slobodno da se kreću.</li> </ul>		
	<ul style="list-style-type: none"> <li>▪ Kosilica je pregrejana.</li> </ul>	<ul style="list-style-type: none"> <li>▪ Smanjite opterećenje kosilice tako što ćete povećati visinu platforme ili smanjiti brzinu sečiva/vožnje i ostaviti kosilicu da se ohladi.</li> </ul>		
	<ul style="list-style-type: none"> <li>▪ Baterije u odeljcima za baterije na kosilici su pregrejane, a rezultat je da ukupni Ah zbir svih umetnutih baterija ne ispunjava zahtev.</li> </ul>	<ol style="list-style-type: none"> <li>1. Kosilica može nastaviti da radi ako ukupni Ah baterija, izuzimajući pregrejanu bateriju, ispunjava zahtev. Kad se pregrejana baterija vrati na normalnu temperaturu, odmah će se uključiti u napajanje kosilice.</li> <li>2. Ako ukupni Ah baterija ne ispunjava zahtev, kosilica neće raditi dok se još baterija ne umetne u prazne odeljke za baterije.</li> <li>3. Smanjite opterećenje kosilice tako što ćete povećati visinu platforme ili usporiti košenje kad nastavite sa radom.</li> </ol>		
			<ul style="list-style-type: none"> <li>▪ Kosilica je u režimu odlaska kući.</li> </ul>	<ul style="list-style-type: none"> <li>▪ Kad je kosilica u režimu odlaska kući, sečiva se automatski prebacuju u malu brzinu rotacije. Rukovalac treba da stopira rad i odveze se na mesto punjenja baterije što pre.</li> </ul>
			<ul style="list-style-type: none"> <li>▪ Kosilicu je udario strani predmet, rezultujući u samozaštiti motora.</li> </ul>	<ul style="list-style-type: none"> <li>▪ Gurnite PTO prekidač nadole a zatim nagore da biste restartovali motore sečiva.</li> </ul>
	<ul style="list-style-type: none"> <li>▪ Brzina kosilice je podešena na režim putovanja.</li> </ul>	<ul style="list-style-type: none"> <li>▪ Kad je brzina kosilice u režimu putovanja, motori sečiva će se automatski stopirati.</li> </ul>		
Zvučni indikator nastavlja da se oglašava.	<ul style="list-style-type: none"> <li>▪ Kosilica je u režimu odlaska kući a sečiva nisu isključena.</li> </ul>	<ul style="list-style-type: none"> <li>▪ Gurnite PTO prekidač nadole da biste isključili motore sečiva. Zvučni indikator će prestati da se oglašava kad se motori sečiva isključe.</li> </ul>		
	<ul style="list-style-type: none"> <li>▪ Kosilica stopira vožnju na nagibu a rukovalac ustaje sa sedišta bez postavljanja pedale parkirne kočnice u položaj kočenja.</li> </ul>	<ul style="list-style-type: none"> <li>▪ Postavite pedalu parkirne kočnice u položaj kočenja pre no što ostavite kosilicu na nagibu.</li> </ul>		

PROBLEM	UZROK	REŠENJE
Indikatori baterija su i dalje uključeni kada je kosilica isključena.	<ul style="list-style-type: none"> <li>Kad je kosilica isključena na tlu bez vađenja baterija iz kosilice, indikatori baterija, dugme start/stop i dugme CCS će ostati osvetljeni tokom određenog vremena.</li> </ul>	<ul style="list-style-type: none"> <li>Nije potrebna nikakva radnja. Indikatori baterija će se isključiti kad se kosilica isključi posle nekog vremena. Pogledajte odeljak „<b>STOPIRANJE KOSILICE</b>“ za konkretno vreme.</li> </ul>
	<ul style="list-style-type: none"> <li>Kad je kosilica isključena na nagibu bez postavljanja parkirne kočnice u položaj kočenja, indikatori baterija će nastaviti da svetle dok se baterije ne isprazne. Zvučni indikator istovremeno nastavlja da se oglašava.</li> </ul>	<ul style="list-style-type: none"> <li>Postavite pedalu parkirne kočnice u položaj kočenja pre no što ostavite kosilicu na nagibu.</li> </ul>
LCD ekran neće da se osvetli sa svim ikonicama uključenim.	<ul style="list-style-type: none"> <li>Dugme start/stop je pritisnuto dovoljno vremena.</li> </ul>	<ul style="list-style-type: none"> <li>LCD ekran će prikazati samo pokazivač goriva kad se start/stop dugme pritisne na kratko.</li> </ul>
		<ul style="list-style-type: none"> <li>LCD ekran će se uključiti nakon što je start/stop dugme pritisnuto dovoljno dugo.</li> </ul>
Kosilica kosi neravnomerno, sa značajnom razlikom u visini napred-nazad.	<ul style="list-style-type: none"> <li>Sečiva su tupa.</li> </ul>	<ul style="list-style-type: none"> <li>Naoštrite ili zamenite sečivo prema uputstvima u ovom priručniku.</li> </ul>
	<ul style="list-style-type: none"> <li>Sečiva su iskrivljena.</li> </ul>	<ul style="list-style-type: none"> <li>Zamenite iskrivljeno sečivo prateći uputstva u odeljku „<b>ZAMENA SEČIVA</b>“.</li> </ul>
	<ul style="list-style-type: none"> <li>Platforma nije nivelisana, što dovodi do različite visine sečiva.</li> </ul>	<ul style="list-style-type: none"> <li>Nivelišite platformu prateći uputstva u odeljku „<b>NIVELISANJE PLATFORME</b>“.</li> </ul>
Stvarna visina košenja trave nije u skladu sa podešenom visinom.	<ul style="list-style-type: none"> <li>Navrtke platforme su labave na sponi vešanja</li> </ul>	<ul style="list-style-type: none"> <li>Pratite uputstva u odeljku „<b>NIVELISANJE PLATFORME</b>“ da biste pravilno podesili platformu napred-nazad i čvrsto zategnute navrtke na sponi vešanja.</li> </ul>
	<ul style="list-style-type: none"> <li>Platforma je oštećena ili ozbiljno pohabana.</li> </ul>	<ul style="list-style-type: none"> <li>Pratite uputstva u odeljku „<b>UKLANJANJE PLATFORME</b>“ da biste zamenili platformu.</li> </ul>
Kosilica ne malčira pravilno.	<ul style="list-style-type: none"> <li>Mokra pokošena trava se lepi za donju stranu platforme.</li> </ul>	<ul style="list-style-type: none"> <li>Sačekajte da se trava osuši pre košenja.</li> </ul>
	<ul style="list-style-type: none"> <li>Kosilica je postavljena da kosi suviše trave odjednom.</li> </ul>	<ul style="list-style-type: none"> <li>Povećajte visinu košenja platforme.</li> </ul>

PROBLEM	UZROK	REŠENJE
Prekomerne vibracije.	<ul style="list-style-type: none"> <li>Sečiva su labava.</li> </ul>	<ul style="list-style-type: none"> <li>Zategnite zavrtnaj sečiva na preporučeni obrtni moment.</li> </ul>
	<ul style="list-style-type: none"> <li>Sečiva su iskrivljena.</li> </ul>	<ul style="list-style-type: none"> <li>Zamenite iskrivljeno sečivo prateći uputstva u odeljku „<b>ZAMENA SEČIVA</b>“.</li> </ul>
	<ul style="list-style-type: none"> <li>Platforma nije nivelisana.</li> </ul>	<ul style="list-style-type: none"> <li>Nivelišite platformu prateći uputstva u odeljku „<b>NIVELISANJE PLATFORME</b>“.</li> </ul>
	<ul style="list-style-type: none"> <li>Navrtke platforme su labave na sponi vešanja.</li> </ul>	<ul style="list-style-type: none"> <li>Zategnite matice na sponi vešanja.</li> </ul>
	<ul style="list-style-type: none"> <li>Kosilica je postavljena da kosi suviše trave odjednom.</li> </ul>	<ul style="list-style-type: none"> <li>Povećajte visinu košenja platforme.</li> </ul>
Trava ili materijal ostaju na zemlji posle košenja.	<ul style="list-style-type: none"> <li>Kosilica je postavljena da kosi suviše trave odjednom kad je trava visoka.</li> </ul>	<ul style="list-style-type: none"> <li>Započnite sa velikom visinom košenja i smanjujte je dok ne ostvarite željeni rezultat košenja. Trava viša od 152 mm treba se kositi dvaput, prvo na većoj pa onda na manjoj visini košenja.</li> </ul>
	<ul style="list-style-type: none"> <li>Trava je vlažna.</li> </ul>	<ul style="list-style-type: none"> <li>Nemojte kositi kad je trava mokra, sve dok se ne osuši.</li> </ul>
	<ul style="list-style-type: none"> <li>Brzina vožnje je visoka.</li> </ul>	<ul style="list-style-type: none"> <li>Smanjite brzinu vožnje.</li> </ul>
	<ul style="list-style-type: none"> <li>Brzina sečiva je niska.</li> </ul>	<ul style="list-style-type: none"> <li>Postepeno povećavajte brzinu sečiva.</li> </ul>
Kratko vreme rada kosilice sa priloženom baterijom.	<ul style="list-style-type: none"> <li>Teren travnjaka, stanje trave, postavka visine košenja, brzina vožnje, brzina sečiva itd. će uveliko uticati na vreme rada.</li> </ul>	<ul style="list-style-type: none"> <li>Povećajte visinu košenja platforme i smanjite brzinu sečiva da biste smanjili opterećenje košenja.</li> </ul>
Praćenje kosilice nije ravno.	<ul style="list-style-type: none"> <li>Pritisak u gumama levog i desnog zadnjeg točka je različit.</li> </ul>	<ul style="list-style-type: none"> <li>Proverite i podesite pritisak vazduha u obe zadnje gume prema odeljku „<b>SPECIFIKACIJE</b>“.</li> </ul>
	<ul style="list-style-type: none"> <li>Brzina vožnje levog i desnog zadnjeg točka je različita.</li> </ul>	<ul style="list-style-type: none"> <li>Kalibrišite volan prateći uputstva u odeljku „<b>KALIBRISANJE SISTEMA ZA PRAĆENJE KOSILICE</b>“.</li> </ul>
Pedala parkirne kočnice ne može da se ne otpusti iz položaja kočenja ili se sporo vraća nazad.	<ul style="list-style-type: none"> <li>Možda je prljavština ili zemlja ušla u pedalu parkirne kočnice.</li> </ul>	<ul style="list-style-type: none"> <li>Otvorite kutiju pedale parkirne kočnice da biste temeljno očistili unutrašnjost kutije i potom je zatvorite. Resetujte pedalu parkirne kočnice da biste videli da li je problem rešen. Ako ne, obratite se kvalifikovanom servisnom tehničaru radi popravke.</li> </ul>



PROBLEM	UZROK	REŠENJE
Kosilica se ne može puniti preko porta za punjenje a indikator statusa kosilice svetli neprekidno crveno.	<ul style="list-style-type: none"> <li>▪ Utikač punjača nije pravilno umetnut u port za punjenje na kosilici.</li> </ul>	<ul style="list-style-type: none"> <li>▪ Ponovo spojite utikač punjača da biste videli da li kosilica može normalno da se puni.</li> </ul>
	<ul style="list-style-type: none"> <li>▪ Nema struje u zidnoj utičnici.</li> </ul>	<ul style="list-style-type: none"> <li>▪ Nije potrebna nikakva radnja. Sačekajte da dođe struja.</li> </ul>
	<ul style="list-style-type: none"> <li>▪ Kvar punjača.</li> </ul>	<ul style="list-style-type: none"> <li>▪ Pozovite EGO Centar za korisničku podršku radi pregleda i popravke punjača ako bude potrebno.</li> </ul>
	<ul style="list-style-type: none"> <li>▪ Port za punjenje na kosilici je defektan.</li> </ul>	<ul style="list-style-type: none"> <li>▪ Pozovite EGO centar za korisničku službu.</li> </ul>
Vreme punjenja preko porta za punjenje kosilice je predugačko.	<ul style="list-style-type: none"> <li>▪ Korišćenje EGO adaptera ACA1000 za punjenje zahteva mnogo vremena.</li> </ul>	<ul style="list-style-type: none"> <li>▪ Koristite EGO punjač CHV1600E za direktno punjenje traktorske kosilice koja skreće u mestu.</li> </ul>
Baterija se ne može napuniti do kraja preko porta za punjenje kosilice.	<ul style="list-style-type: none"> <li>▪ Greška u firmveru kosilice ili kvar punjača ili baterije.</li> </ul>	<ul style="list-style-type: none"> <li>▪ Resetujte punjač tako što ćete ga iskopčati i sačekati duže od nekoliko minuta. Zatim ponovo priključite utikač na napajanje. Ako to ne reši problem, pozovite EGO centar za korisničku podršku.</li> </ul>
Kosilica se ne može startovati nakon čišćenja.	<ul style="list-style-type: none"> <li>▪ Nepravilno čišćenje, poput dospevanja vode na električne komponente, LCD ekran itd.</li> </ul>	<ul style="list-style-type: none"> <li>▪ Pratite uputstva u odeljku „<b>OPŠTE ODRŽAVANJE</b>“ da biste pravilno očistili kosilicu.</li> </ul>
		<ul style="list-style-type: none"> <li>▪ Ako je kosilicu slučajno uhvatila kiša, ostavite je na vazduhu da se suši ili koristite komprimovani vazduh da biste je osušili.</li> </ul>
Platforma kosilice se brzo zapuši.	<ul style="list-style-type: none"> <li>▪ Platforma nije pravilno očišćena posle prethodne upotrebe.</li> </ul>	<ul style="list-style-type: none"> <li>▪ Očistite platformu posle svake upotrebe, prateći odeljak „<b>KORIŠĆENJE PORTA ZA PRANJE ZA ČIŠĆENJE PLATFORME</b>“.</li> </ul>
Kosilica lako gubi trakciju kad se penje uz nagib.	<ul style="list-style-type: none"> <li>▪ Gume na zadnjim točkovima su izlizane.</li> </ul>	<ul style="list-style-type: none"> <li>▪ Potražite lokalni servis koji će zameniti gume na točkovima.</li> </ul>
	<ul style="list-style-type: none"> <li>▪ Košenje na strmom nagibu.</li> </ul>	<ul style="list-style-type: none"> <li>▪ Kosilicu ne bi trebalo koristiti za košenje nagiba strmijih od navedenog broja stepeni.</li> </ul>
Kad je kosilica stopirana na nagibu sa pritisnutom pedalom parkirne kočnice, kosilica može da se kotrlja niz nagib.	<ul style="list-style-type: none"> <li>▪ Komponente kočnice su prekomerno pohabane zbog nepravilnog rukovanja kosilicom.</li> </ul>	<ul style="list-style-type: none"> <li>▪ Pozovite EGO centar za korisničku službu radi popravke.</li> </ul>

PROBLEM	UZROK	REŠENJE
Voda ne izlazi iz porta za pranje kad pokušavate da operete platformu.	<ul style="list-style-type: none"> <li>▪ Brza spojnica za port za pranje nije pravilno montirana na port za pranje.</li> </ul>	<ul style="list-style-type: none"> <li>▪ Ponovo pričvrstite brzu spojnicu porta za pranje dok ne čujete jasno škljocanje nakon čvrstog guranja. Ako to ne uspe, nazovite EGO centar za korisničku službu.</li> </ul>
Čuje se abnormalan zvuk tokom ručnog guranja kosilice bez njenog startovanja.	<ul style="list-style-type: none"> <li>▪ Zvuk dolazi iz magneta unutar pogonskog motora.</li> </ul>	<ul style="list-style-type: none"> <li>▪ To je normalno i nije potrebna nikakva radnja.</li> </ul>
Volan ne može da se okreće.	<ul style="list-style-type: none"> <li>▪ Sklop volana je blokiran prljavštinom.</li> </ul>	<ul style="list-style-type: none"> <li>▪ Proverite da li ima prljavštine i uklonite je.</li> </ul>
Kosilica ne skreće levo/desno kad se rotira volan.	<ul style="list-style-type: none"> <li>▪ Kvar elektronskih ili mehaničkih komponenti.</li> </ul>	<ul style="list-style-type: none"> <li>▪ Pozovite EGO centar za korisničku službu radi popravke.</li> </ul>
Kosilica neće da se stopira kad se pusti pedala gasa.	<ul style="list-style-type: none"> <li>▪ Putanja kojom se vraća pedala gasa je blokirana prljavštinom.</li> </ul>	<ul style="list-style-type: none"> <li>▪ Proverite da li ima prljavštine i uklonite je.</li> </ul>
	<ul style="list-style-type: none"> <li>▪ CCS dugme je nehotično pritisnuto tokom vožnje. Kosilica je u režimu tempomata</li> </ul>	<ul style="list-style-type: none"> <li>▪ Proverite da li je CCS ikonica osvetljena na LCD ekranu i izađite iz režima CCS po potrebi. Pogledajte poglavlje „<b>KORIŠĆENJE TEMPOMATA (CCS)</b>“</li> </ul>
CCS funkcija ne može da se aktivira ili isključi.	<ul style="list-style-type: none"> <li>▪ CCS dugme nije pravilno pritisnuto.</li> </ul>	<ul style="list-style-type: none"> <li>▪ Pritisnite CCS dugme dok CCS ikonica ne bude osvetljena na LCD ekranu ili dok ne nestane sa njega.</li> </ul>
Kosilica neće da vozi u rikverc kad se levo/desno veslo povuče prema rukovaocu.	<ul style="list-style-type: none"> <li>▪ Indikator statusa kosilice ne pokazuje zeleno a kosilica nije spremna za vožnju.</li> </ul>	<ul style="list-style-type: none"> <li>▪ Pratite odeljak „<b>STARTOVANJE KOSILICE</b>“ da bi indikator statusa kosilice pokazao zeleno i da bi kosilica bila spremna za vožnju.</li> </ul>
	<ul style="list-style-type: none"> <li>▪ Levo/desno veslo nije pravilno povučeno prema rukovaocu.</li> </ul>	<ul style="list-style-type: none"> <li>▪ Povucite levo, desno ili oba vesla istovremeno prema sebi dok ne čujete zvuk „škljoc“.</li> </ul>
	<ul style="list-style-type: none"> <li>▪ Levo/desno veslo nije povučeno prema rukovaocu i zadržano.</li> </ul>	<ul style="list-style-type: none"> <li>▪ Da biste vozili u rikverc, barem jedno veslo mora da bude povučeno prema vama i zadržano.</li> </ul>
	<ul style="list-style-type: none"> <li>▪ Levo/desno veslo je pokvareno.</li> </ul>	<ul style="list-style-type: none"> <li>▪ Obratite se kvalifikovanom servisnom tehničaru radi popravke.</li> </ul>

## KODOVI STATUSA KOSILICE ZA REFERENCE I GREŠKE

LCD ekran	Opis	Kod greške na LCD-u	Indikator statusa kosilice	Zvučni signal	Uzrok	Rešenje
	Ikonica za LED svetla se vidi na LCD ekranu.	Nije primenjivo	ISKLJUČENO	Ne	Prednja, bočna i zadnja svetla se uključuju prekidačem LED svetla.	To je normalno funkcionisanje. Nije potrebna nikakva radnja.
	Ikonica za USB se vidi na LCD ekranu.	Nije primenjivo	ISKLJUČENO	Ne	USB ikonica svetli da USB uređaj može da radi nakon što je kosilica pravilno startovana.	To je normalno funkcionisanje. Nije potrebna nikakva radnja.
	Ikonica za pokazivač goriva se vidi na LCD ekranu.	Nije primenjivo	ISKLJUČENO	Ne	Označava prosečan kapacitet punjenja umetnutih baterija	To je normalno funkcionisanje. Nije potrebna nikakva radnja.
	Ikonica za brojač sati se vidi na LCD ekranu.	Nije primenjivo	ISKLJUČENO	Ne	Prikazuje ukupno vreme vožnje kosilice, u satima, i ne može se resetovati.	To je normalno funkcionisanje. Nije potrebna nikakva radnja.
	Ikonica za indikator opterećenja se vidi u ECO opsegu.	Nije primenjivo	ISKLJUČENO	Ne	Pokazuje trenutno opterećenje kosilice.	To je normalno funkcionisanje. Nije potrebna nikakva radnja.
	Ikonica za rikverc se vidi na LCD ekranu.	Nije primenjivo	ISKLJUČENO	Ne	To ukazuje da kosilica vozi u rikverc.	To je normalno funkcionisanje. Nije potrebna nikakva radnja.
	Ikonica za sigurnosni ključ treperi.	Nije primenjivo	ISKLJUČENO	Ne	Sigurnosni ključ nije umetnut.	Umetnite sigurnosni ključ a zatim pritisnite i držite START/STOP dugme da biste uključili kosilicu.
					Sklop kutije kontrolne ploče ključa je pokvaren.	Popravke obavite kod kvalifikovanog servisnog tehničara.

LCD ekran	Opis	Kod greške na LCD-u	Indikator statusa kosilice	Zvučni signal	Uzrok	Rešenje
	Ikonica za određeni odeljak baterije treperi.	Nije primenjivo	ISKLUČENO	Ne	Određena baterija daje prekomernu struju tokom pražnjenja.	Nije potrebna nikakva radnja. Kosilica može nastaviti da radi ako ukupni Ah baterija, izuzimajući bateriju sa prekomernom strujom, ispunjava zahtev. Kad se baterija sa prekomernom strujom vrati na normalu, odmah će se uključiti u napajanje kosilice i ikonica će nestati.
	Ikonica za prazan odeljak baterije treperi	Nije primenjivo	ISKLUČENO	Ne	Kapacitet baterija nije dovoljan da omogući rad kosilice.	Da biste startovali ovu kosilicu, koristite dovoljno EGO baterija prateći uputstvo u odeljku „ <b>SPAJANJE/ODVAJANJE BATERIJE</b> “ u ovom priručniku.
	Indikator preopterećenja treperi	Nije primenjivo	Bljeska crveno	Jedan zvuk	Motor sečiva je preopterećen.	Povećajte visinu košenja platforme ili smanjite brzinu vožnje da biste smanjili opterećenje na kosilicu.
					Bočni izlazni otvor je začepljen travom i prljavštinom.	Očistite bočni izlazni otvor posle svake upotrebe.
					Postoje smetnje između sečiva i platforme.	Pozovite EGO centar za korisničku službu

LCD ekran	Opis	Kod greške na LCD-u	Indikator statusa kosilice	Zvučni signal	Uzrok	Rešenje
	Ikonica temperature treperi.	Nije primenjivo	ISKLJUČENO	Jedan zvuk	Kosilica je pregrejana.	Smanjite opterećenje kosilice tako što ćete povećati visinu platforme ili smanjiti brzinu sečiva/vožnje. Napravite pauzu i omogućite kosilici da se ohladi.
					Kosilica je previše hladna.	Nemojte pokušavati više puta jer to može oštetiti mašinu. Uvek čuvajte kosilicu i baterije u toplom okruženju. Restartujte kosilicu kad se bude ugrijala.
	Ikonica za temperaturu i tačan zauzet odeljak baterije trepere istovremeno.	Nije primenjivo	ISKLJUČENO	Ne	Baterija u odgovarajućem numerisanom odeljku za baterije je pregrejana.	1. Kosilica može nastaviti da radi ako ukupni Ah baterija, izuzimajući pregrejanu bateriju, ispunjava zahtev. Kad se pregrejana baterija vrati na normalnu temperaturu, odmah će se uključiti u napajanje kosilice.
						2. Ako ukupni Ah baterija nije dovoljan, kosilica neće raditi dok se još baterija ne umetne u prazne odeljke za baterije.
						3. Smanjite opterećenje kosilice tako što ćete povećati visinu platforme ili usporiti košenje kad nastavite sa radom.

LCD ekran	Opis	Kod greške na LCD-u	Indikator statusa kosilice	Zvučni signal	Uzrok	Rešenje
	Ikonice svih zauzetih odeljaka baterija, indikator slabog napajanja i pokazivač goriva istovremeno trepere svake 1 sekunde na LCD ekranu. Prvi LED pokazivač goriva i indikator statusa kosilice takođe trepere.	Nije primenjivo	Bljeska crveno	Nastavlja da se oglašava dok PTO prekidač ne bude pritisnut nadole.	Baterije su slabo napunjene i kosilica je u režimu odlaska kući.	Stopirajte rad i vratite se na mesto punjenja baterije. <b>NAPOMENA!</b> Kad je kosilica u režimu odlaska kući, sečiva se automatski prebacuju u malu brzinu rotacije 8 a u međuvremenu će zvučni indikator nastaviti da se oglašava. Rukovalac treba da pritisne PTO prekidač nadole da bi isključio motore sečiva. Zvučni indikator će prestati da se oglašava nakon stopiranja sečiva.
	Ikonica svakog zauzetog odeljka baterija i indikator slabog napajanja trepere svakih pola sekunde a i prvi LED pokazivač goriva bljeska crveno svakih pola sekunde.	Nije primenjivo	Bljeska crveno	Nastavlja da se oglašava	Baterije su skoro ispražnjene.	Kosilica će momentalno stopirati rad. Rukovalac treba da transportuje kosilicu do mesta za punjenje baterije radi punjenja.
	Ikonica automatskog parkiranja treperi na LCD-u.	Nije primenjivo	ISKLJUČENO	Nastavlja da se oglašava	Kosilica je parkirana na nagibu a rukovalac napušta kosilicu bez postavljanja pedale parkirne kočnice u položaj kočenja.	Postavite pedalu kočnice u položaj kočenja. Ikonica automatskog parkiranja će se isključiti a zvučni indikator će prestati da se oglašava.
	Ikonica za pedalu kočnice se vidi na LCD ekranu	Nije primenjivo	ISKLJUČENO	Ne	Pedala parkirne kočnice je postavljena u položaj kočenja.	Otpustite je pre startovanja kosilice.

**NAPOMENA!** Ako se kod greške pojavi na LCD ekranu, izvadite sve baterije i ponovo ih umetnite nekoliko minuta kasnije. Ako to ne reši problem, pratite rešavanje problema kodova greške ispod.

LCD ekran	Opis	Kod greške na LCD-u	Indikator statusa kosilice	Zvučni signal	Uzrok	Rešenje
	Ikonica za senzor sedišta se vidi na LCD ekranu	Nije primenjivo	ISKLUČENO	Ne	Rukovalac je napustio sedište ili se sigurnosni sistem međusobnog zaključavanja sedišta razdvojio.	Ako je ikonica uključena dok sedite na sedištu, odmah stopirajte rad sa kosilicom i proverite vezu sedišta. Ako potvrdite da je veza sedišta sa kosilicom pravilna, obratite se kvalifikovanom servisnom tehničaru radi popravke.
	Ikonica PTO prekidača treperi	Nije primenjivo	ISKLUČENO	Ne	Rad motora sečiva je prekinut a PTO prekidač nije postavljen u isključen položaj.	Pre restartovanja kosilice, gurnite PTO prekidač nadole da biste isključili motore sečiva. Pogledajte odeljak „ <b>REŠAVANJE PROBLEMA</b> “ u ovom priručniku radi reference.
	Ikonica za regeneraciju energije povremeno treperi.	Nije primenjivo	ISKLUČENO	Ne	Kinetička energija generisana tokom kočenja ili vožnje nizbrdo se pretvara u elektricitet za punjenje baterija.	To je normalno funkcionisanje. Nije potrebna nikakva radnja.
	CCS ikonica treperi	Nije primenjivo	ISKLUČENO	Ne	Funkcija CCS (sistem tempomata) je u kvaru.	CCS funkcija ne može da se postavi kad kosilica vozi veoma malom brzinom ili kad vozi u rikverc.



LCD ekran	Opis	Kod greške na LCD-u	Indikator statusa kosilice	Zvučni signal	Uzrok	Rešenje	
Pogledajte „Kod greške“	Levi motor za vožnju ne uspeva da se rotira.	PCBA kontrolisani levi motor za vožnju otkazuje.	413	ISKLJUČENO	Jedan zvuk	Otkazivanje PCBA	Popravke obavite kod kvalifikovanog servisnog tehničara.
		Utikač (trofazni, strujna žica) koji spaja levi motor za vožnju sa odgovarajućim PCBA je labav.	317	ISKLJUČENO	Jedan zvuk	Labava veza	
		Utikač (šest pinova, signalna žica) koji spaja levi motor za vožnju sa odgovarajućim PCBA je labav.	301	ISKLJUČENO	Jedan zvuk	Labava veza	
		Levi motor za vožnju otkazuje.	317	ISKLJUČENO	Jedan zvuk	Otkazivanje motora	
Pogledajte „Kod greške“	Desni motor za vožnju ne uspeva da se rotira	PCBA kontrolisani desni motor za vožnju otkazuje.	313	ISKLJUČENO	Jedan zvuk	Otkazivanje PCBA	Popravke obavite kod kvalifikovanog servisnog tehničara.
		Utikač (trofazni, strujna žica) koji spaja desni motor za vožnju sa odgovarajućim PCBA je labav.	417	ISKLJUČENO	Jedan zvuk	Labava veza	
		Utikač (šest pinova, signalna žica) koji spaja desni motor za vožnju sa odgovarajućim PCBA je labav.	401	ISKLJUČENO	Jedan zvuk	Labava veza	
		Desni motor za vožnju otkazuje.	417	ISKLJUČENO	Jedan zvuk	Otkazivanje motora	

**SR**

LCD ekran	Opis	Kod greške na LCD-u	Indikator statusa kosilice	Zvučni signal	Uzrok	Rešenje	
Pogledajte „Kod greške“	Levi motor sečiva ne uspeva da se rotira	PCBA kontrolisani levi motor sečiva otkazuje	607	Nije primenjivo	Jedan zvuk	Otkazivanje PCBA	Popravke obavite kod kvalifikovanog servisnog tehničara.
		Utikač (trofazni, strujna žica) koji spaja levi motor sečiva sa odgovarajućim PCBA je labav.	509	Nije primenjivo	Jedan zvuk	Labava veza	Prvo pregledajte sečivo. Ako se zavrtnaj olabavi, zategnite ga na preporučeni obrtni moment. U suprotnom, obavite popravke kod kvalifikovanog servisnog tehničara.
		Levi motor sečiva otkazuje.	509	Nije primenjivo	Jedan zvuk	Otkazivanje motora	Popravke obavite kod kvalifikovanog servisnog tehničara.
Pogledajte „Kod greške“	Desni motor sečiva ne uspeva da se rotira	PCBA kontrolisani desni motor sečiva otkazuje	507	Nije primenjivo	Jedan zvuk	Otkazivanje PCBA	Popravke obavite kod kvalifikovanog servisnog tehničara.
		Utikač (trofazni, strujna žica) koji spaja desni motor sečiva sa odgovarajućim PCBA je labav.	609	Nije primenjivo	Jedan zvuk	Labava veza	Prvo pregledajte sečivo. Ako se zavrtnaj olabavi, zategnite ga na preporučeni obrtni moment. U suprotnom, obavite popravke kod kvalifikovanog servisnog tehničara.
		Desni motor sečiva otkazuje	609	Nije primenjivo	Jedan zvuk	Otkazivanje motora	Popravke obavite kod kvalifikovanog servisnog tehničara.
Pogledajte „Kod greške“	Pedala gasa otkazuje	311/ 411	ISKLUČENO	Jedan zvuk	Otkazivanje PCBA	Popravke obavite kod kvalifikovanog servisnog tehničara.	
		307/ 407			Labava veza		
Pogledajte „Kod greške“	Volan otkazuje	312/ 412	ISKLUČENO	Jedan zvuk	Otkazivanje PCBA	Popravke obavite kod kvalifikovanog servisnog tehničara.	
					Labava veza		

LCD ekran	Opis		Kod greške na LCD-u	Indikator statusa kosilice	Zvučni signal	Uzrok	Rešenje
Pogledajte „Kod greške“	Parkirna kočnica otkazuje, kosilica se ne može voziti.	PCBA parkirne kočnice, koji je u sklopu prednjeg okvira, je pokvaren.	309/409	ISKLJUČENO	Jedan zvuk	Otkazivanje PCBA	Popravke obavite kod kvalifikovanog servisnog tehničara.
		Prekidač i/ili žica parkirne kočnice su pokvareni.	801	ISKLJUČENO	Jedan zvuk	Otkazivanje žice/prekidača	
ISKLJUČENO	Greška porta za punjenje		Nije primenjivo	Neprekidno CRVENO	Nije primenjivo	Port za punjenje je u otvorenom strujnom kolu.	Popravke obavite kod kvalifikovanog servisnog tehničara.
			Nije primenjivo	Neprekidno CRVENO	Nije primenjivo	Nema napajanja.	Proverite da li zidna utičnica ima napajanje 220-240 V i da li je ispravna.
			Nije primenjivo	Neprekidno CRVENO	Nije primenjivo	Osigurač je pregoreo.	Popravke obavite kod kvalifikovanog servisnog tehničara.
Pogledajte „Kod greške“	Kvar porta za punjenje	204	Nije primenjivo	Jedan zvuk	Port za punjenje je u otvorenom strujnom kolu.	Popravke obavite kod kvalifikovanog servisnog tehničara.	
Pogledajte „Kod greške“	Sklop kutije baterije ne funkcioniše.		217	Nije primenjivo	Jedan zvuk	Izvor napajanja iz sklopa kutije baterije je pokvaren. LED prednja svetla i USB neće raditi.	Popravke obavite kod kvalifikovanog servisnog tehničara.
			310/410	ISKLJUČENO	Jedan zvuk	Veza između žica tipa C u sklopu kutije baterije i drugih žica tipa C na kosilici ne funkcioniše.	
			201/202/203	ISKLJUČENO	Jedan zvuk	BMS u sklopu kutije baterije je pokvaren.	

LCD ekran	Opis	Kod greške na LCD-u	Indikator statusa kosilice	Zvučni signal	Uzrok	Rešenje
Pogledajte „Kod greške“	Greška start/stop prekidača	314/ 414	ISKLJUČENO	Jedan zvuk	Otkazivanje PCBA prekidača ili loša žična veza za start/stop prekidač.	Popravke obavite kod kvalifikovanog servisnog tehničara.
Pogledajte „Kod greške“	Greška LCD ekrana	315/ 415	ISKLJUČENO	Jedan zvuk	LCD sklop je pokvaren ili je žična veza LCD sklopa loša.	Popravke obavite kod kvalifikovanog servisnog tehničara.

## GARANCIJA

### EGO POLITIKA GARANCIJE

Posetite veb-lokaciju [egopowerplus.com](http://egopowerplus.com) za potpune uslove i odredbe EGO politike garancije.

# PROČITAJTE UPUTSTVO U CIJELOSTI!



PROČITAJTE KORISNIČKI PRIRUČNIK.

## SIGURNOSNI SIMBOL

Svrha sigurnosnih simbola je skretanje pažnje na moguće opasnosti. Sigurnosni simboli i njihova objašnjenja zahtijevaju vašu potpunu pažnju i razumijevanje. Simboli upozorenja sami po sebi ne isključuju opasnost. Uputstva i upozorenja koja pružaju nisu zamjena za propisne mjere za prevenciju nesreća.

**⚠ UPOZORENJE!** Prije upotrebe ovog alata pobrinite se da sva sigurnosna uputstva u ovom korisničkom priručniku, uključujući sve sigurnosne simbole kao što su “**OPASNOST**”, “**UPOZORENJE**” i “**OPREZ**” pročitate s razumijevanjem. Zanemarivanje svih uputstava navedenih u nastavku može rezultirati strujnim udarom, požarom i/ili teškim tjelesnim povredama.

## ZNAČENJE SIMBOLA

Na ovoj stranici slikovno su prikazani i objašnjeni sigurnosni simboli koji se mogu pojaviti na ovom proizvodu. Prije pokušaja sastavljanja i rukovanja, s razumijevanjem pročitatite sva uputstva na proizvodu i pridržavajte ih se.

## SIGURNOSNI SIMBOLI



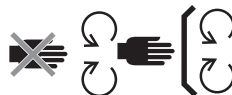
Simbol upozorenja



S razumijevanjem pročitatite korisnički priručnik.



Zaštita za oči



Održavajte sigurnosne uređaje.



OPASNOST – Opasnost od strmih nagiba!



OPASNOST – Prisutne osobe držite podalje od noževa.



Nemojte nikada prevoziti djecu.



Uvijek gledajte iza sebe tokom vožnje unazad.



UPOZORENJE – Ovu mašinu nemojte upotrebljavati na nagibima većim od 12°.



OPASNOST – Odbačeni predmeti!



UPOZORENJE – Držite podalje šake i stopala.



Zagarantovani nivo zvučne snage. U skladu s Direktivom Evropske unije.

BS



Nemojte upotrebljavati kosilicu kao stepenicu.



Ovaj proizvod je u skladu s primjenjivim Direktivama EU.



Istosmjerna struja

kPa	Kilopaskal
V	Volt
in	Inč
Nm	Njutnmetar
°C	Celzijus
km/h	Kilometri po satu



Otpadni električni proizvodi ne smiju se odlagati s otpadom iz domaćinstva. Odnosite ih u ovlašteni centar za reciklažu.



OPREZ – Nemojte zuriti u radnu lampu.



Ovaj proizvod je u skladu s važećim zakonodavstvom Velike Britanije.

o/min	Okretaji u minuti
m	Metri
cm	Centimetri
mm	Milimetri
kg	Kilogram
IPX4	Stepen zaštite od prodiranja

## SIGURNOSNI SIMBOLI



Informaciju je potrebno zabilježiti.



Naznačena radnja se zaustavlja.

## TEHNIČKI PODACI

Napon	56 V	
Veličina trupa	107 cm	
Veličina točka	Prednja strana	279,4 x 101,6 – 127 mm
	Stražnja strana	457,2 x 241,3 – 203,2 mm
Pritisak u hladnim gumama	Prednja strana	222,1 kPa
	Stražnja strana	110,3 kPa
Radius okretanja	0	
Brzina noža (o/min)	2400; 2600; 2800; 3000	

Maksimalna brzina vožnje	Naprijed	4,8 km/h, 8,1 km/h, 9,7 km/h, 11,3 km/h (12,8 km/h u režimu vožnje)
	Unazad	do 5,6 km/h
Punjenje	Punjač (opcija)	CHV1600E
	Adapter (opcija)	ACA1000
	Raspon temperature punjenja	5°C - 40°C
Podšavanje visine košnje (10 položaja)		25 - 100 mm
Radna temperatura		0°C - 40°C
Temperatura skladištenja		-20°C - 70°C

BS

Masa (bez kompleta baterija)	196 kg
Izmjereni nivo zvučne snage $L_{WA}$	96,44 dB(A) K=0,68 dB(A)
Nivo zvučnog pritiska kod uha rukovaoca $L_{PA}$	84,3 dB(A) K=3,0 dB(A)
Zagarantovani nivo zvučne snage $L_{WA}$ (izmjereno u skladu s Direktivom 2000/14/EZ)	100 dB(A)
Vibracije $a_h$	Šaka 1,221 m/s <sup>2</sup> K=1,5 m/s <sup>2</sup>
	Tijelo 0,568 m/s <sup>2</sup> K=1,5 m/s <sup>2</sup>

- Deklarisane ukupne vrijednosti vibracija izmjerene su u skladu sa standardnom metodom ispitivanja i mogu se primjenjivati za poređenje jednog alata s drugim.
- Deklarisane ukupne vrijednosti vibracija mogu se primjenjivati i u preliminarnoj procjeni izloženosti.

**NAPOMENA!** Emisija vibracija tokom aktuelne upotrebe električnog alata može se razlikovati od deklarisanosti u kojoj se alat upotrebljavao; Korisnik radi zaštite treba nositi rukavice i štitnike za uši u aktuelnim uslovima upotrebe.

## PREPORUČENI PRIBOR

**▲ UPOZORENJE!** Upotrebljavajte samo identične zamjenske dijelove navedene u nastavku. Upotreba dijelova koji ne ispunjavaju zahtjeve specifikacija originalne opreme može rezultirati nepropisnim radnim učinkom i nedovoljnom sigurnošću.

NAZIV DIJELA	BROJ MODELA
Standardni nož	AB4200
Nož za visoko podizanje	AB4201
Utični priključak za malčiranje	AMP4200
Komplet sakupljača trave	ABK4200-A
Stražnji branik	AMB1000
Sanduk za teret	AMG1000

Zaštita od sunca	AMS1000
------------------	---------

## OPIS

### UPOZNAJTE SVOJU KOSILICU (sl. A1)

1. Sjedište
2. Priključak za punjenje
3. Jedinica napajanja
4. LED stražnje svjetlo
5. Pretinac za odlaganje
6. LED bočno svjetlo
7. Stražnji točak (pogonski točak)
8. Priključak za pranje
9. Ploča
10. Štitnik ploče
11. Anti-scalp točak
12. Prednji točak
13. Papučica parkirne kočnice
14. Dnevna radna svjetla
15. Prednja LED svjetla
16. Papučica gasa
17. Područje za spuštanje stopala
18. Bočni izlazni otvor
19. Ručica za podešavanje visine ploče
20. Okretno dugme za podešavanje amortizacije sjedišta
21. Upravljač
22. Desna kutija
23. Ručica za podešavanje položaja sjedišta
24. PTO prekidač
25. Dugme za pokretanje/zaustavljanje
26. Sigurnosni ključ
27. Utor za odlaganje telefona
28. Držać za čaše
29. Lijeva ručica
30. Indikator stanja kosilice
31. LCD ekran
32. Desna ručica



33. Dugme za podešavanje brzine noža
34. Dugme CCS
35. Dugme za režim vožnje
36. Prekidač za LED svjetla
37. Dugme za podešavanje brzine vožnje
38. Dugme za otpuštanje poklopca jedinice napajanja
39. Poklopac jedinice napajanja
40. Pogonska jedinica sa šest pretinaca za baterije
41. Dugme za oslobađanje baterije
42. Kuka za vuču
43. Poklopac za montažu priključka
44. USB priključak

### UPOZNAJTE LCD EKRAN (sl. A2)

Više informacija o ikonama i indikatorima na LCD zaslonu potražite u odjeljku "REFERENCE O STANJU KOSILICE I KODOVI GREŠKI".

1. Ikona vožnje unazad
2. Ikona CCS
3. Ikona sigurnosnog ključa
4. Ikona LED svjetala
5. Ikona funkcije automatskog parkiranja
6. Ikona USB priključka
7. Indikator brzine noža
8. Indikator statusa sigurnosnog uređaja
9. Brojač sati
10. Ikona praznog pretinca za baterije
11. Ikona temperature
12. Ikona zauzetog pretinca za baterije
13. Režim vožnje
14. Indikator koda greške
15. Indikator preopterećenja
16. Indikator niskog nivoa napunjenosti
17. Mjerač goriva
18. Indikator opterećenja
19. Indikator brzine vožnje

BS

## OTPAKIVANJE

**NAPOMENA!** Ambalažu čuvajte dok pažljivo ne pregledate proizvod i ne budete zadovoljni radom proizvoda. Ako su na mašini postavljeni dijelovi iz sadržaja pakovanja, odmah se obratite EGO servisnoj službi.

**NAPOMENA!** Osim alata iz sadržaja pakovanja u nastavku, svi drugi alati navedeni u priručnicima samo su preporučeni i nisu uključeni u sadržaj isporuke.

**NAPOMENA!** Nemojte uklanjati pjenasti blok ispod upravljača dok se upravljač ne postavi ispravno. Vibracije tokom vožnje mogu oštetiti upravljač.

### SADRŽAJ PAKOVANJA (SL. B)

B-1	Kosilica za vožnju s nultim okretom	B-2	Sjedište
B-3	Utični priključak za malčiranje	B-4	Inbus vijci (2 rezervna)
B-5	Inbus ključ	B-6	Nasadni ključ
B-7	Viljuškasti ključ	B-8	Sigurnosni ključevi
B-9	Brza spojnica priključka za pranje	B-10	Korisnički priručnik

## SASTAVLJANJE

### POSTAVLJANJE SJEDIŠTA (sl. C1 - C4)

**⚠ UPOZORENJE!** Sigurnosni sistem zaključavanja ne smije se odspojiti niti zaobići. Ako to učinite, kosilica bi mogla početi neočekivano raditi, što može rezultirati tjelesnim povredama.

**NAPOMENA!** Radi vaše sigurnosti, moguće je da se vožnja kosilice zaustavi jer se prekidač sjedišta odspojio tokom vožnje. U tom slučaju, više informacija potražite u odjeljku "OTKLANJANJE PROBLEMA".

C1-1	Utičnica	C1-2	Utikač
C1-3	Kabel	C2-1	Ručica sjedišta
C2-2	Postolje za amortizaciju	C2-3	Inbus ključ

C2-4	Inbus vijci	C2-5	Ručica za podešavanje položaja sjedišta
C3-1	Čelične vodilice	C3-2	Inbus ključ
C3-3	Inbus vijci	C4-1	Kuka

### POSTAVLJANJE UPRAVLJAČA (sl. C5 – C6)

C5-1	Matični vijak za zabavljanje	C5-2	Šipka
C6-1	Blok za lociranje	C6-2	Utor
C6-3	Štitnik upravljača		

### POSTAVLJANJE UTIČNOG PRIKLJUČKA ZA MALČIRANJE (sl. C7)

C7-1	Bočni izlazni otvor	C7-2	Utični priključak za malčiranje
C7-3	Uklonjiva opruga		

## PODEŠAVANJE

### PRIJE PODEŠAVANJA (sl. D1)

### PODEŠAVANJE VISINE REZNE PLOČE (sl. D2)

### PODEŠAVANJE ANTI-SCALP TOČKOVA (sl. D3 – D6)

D3-1	Anti-scalp točak	D5-1	Matica
D5-2	Sidrena osovinica	D6-1	Oznaka visine ploče

### PODEŠAVANJE SJEDIŠTA (sl. D7)

D7-1	Ručica za podešavanje položaja sjedišta	D7-2	Okretno dugme za podešavanje amortizacije sjedišta
------	---	------	--

### PODEŠAVANJE UPRAVLJAČA (sl. D8)

D8-1	Matični vijak za zabavljanje	D8-2	Šipka
D8-3	Blok za lociranje	D8-4	Utor

## RAD

### PRIJE RADA (sl. E1)

### PODEŠAVANJE PARKIRNE KOČNICE (sl. E2)

E2-1	Položaj otpuštanja	E2-2	Položaj kočenja
------	--------------------	------	-----------------

**NAPOMENA!** Papučicu parkirne kočnice nemojte nikada pritiskati da usporite brzinu. Kada je papučica parkirne kočnice dovoljno pritisnuta, ali nije potpuno u položaju parkiranja, kosilica će se zaustaviti na ravnoj površini, ali ako se to dogodi na nagibu, kosilica može kliznuti niz nagib.

### POSTAVLJANJE/SKIDANJE KOMPLETA BATERIJA (sl. E3 – E6)

Za pokretanje ove kosilice potrebne su EGO baterije ukupnog kapaciteta od 15 Ah (2 X BA4200/BA4200T) ili više. Za najbolji radni učinak, preporučujemo upotrebu EGO baterija ukupnog kapaciteta od 30 Ah ili više.

E3-1	Dugme za otpuštanje poklopca	E5-1	Dugme za oslobađanje baterije
------	------------------------------	------	-------------------------------

### PUNJENJE KOSILICE

Upotrebljavajte samo preporučene komplete baterija i punjače.

- Zasebno punjenje kompleta baterija (sl. E7)

**NAPOMENA!** Detaljne upute potražite u odgovarajućim priručnicima za bateriju i punjač.

- Punjenje kompleta baterija putem priključka za punjenje (sl. E8 - E10)

E10-1	Kapica za zaštitu od prašine	E10-2	Priključak za punjenje
-------	------------------------------	-------	------------------------

### PROVJERA SIGURNOSNOG SISTEMA ZAKLJUČAVANJA

- Provjera sistema ploče i noža (sl. E11 – E12)
- Provjera sistema vožnje (sl. E13 – E14)

Ako se sistem ploče i noža i/ili sistem vožnje ne zaustave kada rukovalac ustane sa sjedišta i ako se uzrok ne može utvrditi nakon što se uvjerite da je utikač sjedišta pravilno priključen u utičnicu, odmah se obratite EGO servisnom

**BS**

centru za korisnike.

## KONTROLNA LISTA PRIJE RADA

- Pobrinite se da iz radnog područja udaljite djecu, prisutne osobe i kućne ljubimce.
- Radno područje očistite od predmeta koje bi noževi kosilice mogli odbaciti.
- Očistite naslage s kosilice.
- Provjerite jesu li pričvrсни elementi otpušteni.
- Provjerite jesu li svi štitnici na mjestu i rade li ispravno.
- Vizuelno provjerite jesu li gume napumpane.
- Provjerite rad kočnice.
- Podesite visinu ploče na željeni položaj košenja koji najbolje odgovara travnjaku i prema tome namjestite anti-scalp točkove.
- Podesite položaj sjedišta i provjerite možete li dosegnuti obje papučice.
- Po potrebi namjestite upravljač u željeni položaj.
- Provjerite nivo napunjenosti baterije.
- Provjerite sigurnosni sistem zaključavanja.

## POKRETANJE KOSILICE (sl. E15 – sl. E16)

**⚠ UPOZORENJE!** Izbjegavajte nagla pokretanja, zaustavljanja, skretanja i prekomjernu brzinu, a posebno kada prvi put učite da rukujete kosilicom. Kosilica se može brzo zavrtjeti, što može uzrokovati gubitak kontrole i teške povrede i/ili oštećenja.

**⚠ UPOZORENJE!** Prije pokretanja kosilice provjerite i uvjerite se da su noževi deaktivirani u roku od 5 s kada pritisnete PTO prekidač. Ako se noževi ne zaustave, nemojte upotrebljavati kosilicu i odmah se obratite EGO korisničkoj službi.

**NAPOMENA!** Za postavljanje najniže brzine vožnje i STANDARDNOG režima vožnje postupite prema sl. E17 i sl. E18 tako da možete potpuno upravljati kosilicom u svim situacijama.

Kada se ponovo pokrene, kosilica će spremi i prikazati prethodni režim vožnje, brzinu vožnje i kalibraciju upravljača.

**BS**

## PODEŠAVANJE REŽIMA VOŽNJE (sl. E17)

- **KONTROLNI:** Manje ubrzanje, manje osjetljivo

rukovanje i niža brzina okretanja za zaštitu travnjaka i za nove korisnike.

- **STANDARDNI:** Savršen za svakodnevnu upotrebu.
- **SPORTSKI:** Veće ubrzanje, precizno rukovanje i oštro okretanje za maksimalnu učinkovitost košnje i za ljubitelje košnje.

**NAPOMENA!** Režim vožnje nije moguće podesiti tokom vožnje. Funkcija će se aktivirati samo kada se točkovi kosilice zaustave.

## Podešavanje brzine vožnje (sl. E18)

**NAPOMENA!** Ako u režimu rada "TURBO" pritisnete tipku "-", brzina vožnje vratit će se u prethodni režim rada.

## Podešavanje brzine noža (sl. E19)

### LED svjetla

- Prednjim svjetlima, bočnim svjetlima i stražnjim svjetlima upravlja se pomoću prekidača za LED svjetla.
- Radna svjetla uvijek držite uključena tokom vožnje.
- Ako su stražnja svjetla isključena tokom vožnje unazad, treperit će da upozore prisutne osobe; ako su stražnja svjetla uključena, ostat će uključena.
- Sva svjetla automatski će se isključiti kada se kosilica automatski isključi nakon određenog vremena neaktivnosti.

### USB priključak

**NAPOMENA!** USB priključak omogućuje punjenje istosmjernom strujom od 5 V uz kombinovanu potrošnju energije do 1,5 ampera i napaja se samo kada je kosilica pokrenuta.

## ZAUSTAVLJANJE KOSILICE (sl. E20)

**NAPOMENA!** Kosilica se automatski isključuje ako nema aktivnosti duže od 60 minuta.

### Režim rada bez košnje

Kada napunjenost baterije postane kritično niska, kosilica se prebacuje u režim rada bez košnje kako bi uštedjela dovoljno energije za povratak u područje za punjenje.

- Noževi se prebacuju na nisku brzinu rotacije, kojom se može rezati vrlo mala količina trave. Kada naiđu na visoku i gustu travu, noževi se prestaju okretati. Zvučni indikator se oglašava u pravilnim intervalima (bip).

- Indikator stanja kosilice će treperiti crveno svake sekunde, a indikator niskog nivoa napunjenosti baterije i grafički prikaz baterije na mjeracu goriva će treperiti.

Rukovalac bi trebao uraditi sljedeće:

- Pritisnite PTO prekidač prema dolje da isključite motore noževa. Zvučni indikator više se ne oglašava kada se motori noževa zaustave.
- Što je moguće prije prestanite raditi i idite u područje za punjenje. Maksimalna udaljenost koju kosilica može preći je 1000 m.

Kada je baterija skoro prazna, ikona za svaki zauzeti pretinac za bateriju i indikator niskog nivoa napunjenosti baterije trepere svakih pola sekunde. Kosilica će odmah prestati raditi. Rukovalac kosilicu treba transportovati do područja za punjenje radi punjenja.

**NAPOMENA!** Ako je potrebno ručno guranje, uvjerite se da su baterije odvojene od kosilice i da je papučica parkirne kočnice otpuštena iz položaja kočenja.

## VOŽNJA KOSILICE (sl. E21)

**▲ OPASNOST!** Održavajte minimalnu udaljenost od dvije širine košnje od jaraka, kosina ili vode. Kada se kosilica zaustavi, čak i s aktiviranom kočnicom, prednji točkovi se mogu okretati i uzrokovati pad kosilice preko ruba ili u vodu, što može rezultirati smrću i teškim tjelesnim povredama.

**▲ UPOZORENJE!** Prije vožnje unazad, pazite na predmete koji se nalaze iza kosilice. NEMOJTE kositi unazad, osim ako je to apsolutno neophodno. Prije i za vrijeme vožnje unazad uvijek gledajte dolje i iza sebe da budete sigurni da u području košnje nema djece, prisutnih osoba ili kućnih ljubimaca. Imajte na umu da je za smrtni ishod ili nanošenje teških povreda dovoljan samo djelić sekunde nepažnje.

**▲ UPOZORENJE!** Ovu mašinu nemojte upotrebljavati na javnim cestama.

**▲ UPOZORENJE!** Ako dođe do začepljenja ili ako udarite o strani predmet, zaustavite motore i izvadite

baterije. Uklonite komadiće trave, lišće, prljavštinu i ostale nakupljene naslage; dobro pregledajte je li kosilica oštećena i popravite oštećenje prije ponovnog pokretanja kosilice i rukovanja kosilicom.

## UPOTREBA TEMPOMATA (CCS)

**Aktivacija tempomata (CCS) tokom vožnje (sl. E22)**

**NAPOMENA!** Brzina kretanja prikazana na LCD ekranu možda neće tačno odražavati stvarnu brzinu vožnje kosilice u tempomatu. Pritisnite jedno od dugmadi za podešavanje brzine (“←” ili “→”) da “osvježite” i podesite nivo brzine vožnje na LCD ekranu.

**Za izlaz iz CCS-a i zaustavljanje kosilice** možete odabrati jedan od četiri načina:

- Lagano pritisnite papučicu gasa i zatim je otpustite.
- Povucite lijevu/desnu ručicu prema sebi i zatim je otpustite.
- Pritisnite papučicu parkirne kočnice.
- Pritisnite dugme CCS.

**NAPOMENA!** Pritisnite papučicu gasa do kraja za postizanje trenutne CCS brzine vožnje i držite je pritisnutom. Funkcija CCS će se zaustaviti i kosilica će nastaviti vožnju trenutnom brzinom.

## ODRŽAVANJE

**▲ UPOZORENJE!** Uvijek nosite zaštitne naočale s bočnim štitnicima. Nepostupanje u skladu s tim može rezultirati odbacivanjem predmeta u oči i drugim mogućim teškim povredama.

**▲ UPOZORENJE!** Pri obavljanju radova održavanja na nožu kosilice uvijek zaštitite ruke nošenjem čvrstih rukavica ili umotajte noževe krpama ili drugim materijalom. Za radove servisiranja ili transport kosilice uvijek izvucite sigurnosni ključ i izvadite komplete baterija.

Interval radova održavanja	Postupak održavanja
----------------------------	---------------------

Prije svake upotrebe ili svaki dan	<ul style="list-style-type: none"> <li>■ Provjerite sigurnosni sistem zaključavanja.</li> <li>■ Vizuelno provjerite jesu li gume napumpane.</li> <li>■ Pregledajte noževe.</li> <li>■ Pregledajte cijeli proizvod na postojanje oštećenih, nedostajućih ili otpuštenih dijelova, kao što su bočni izlazni otvor, vijci, matice, osovnicice, kapice, itd. i uvjerite se da su svi štitnici na svom mjestu i da propisno rade.</li> <li>■ Provjerite može li se papučica gasa pravilno pritisnuti i otpustiti.</li> <li>■ Provjerite amortizer upravljača. Upravljač bi se trebao okretati uz određeni otpor.</li> </ul>
Nakon svake upotrebe	<ul style="list-style-type: none"> <li>■ Očistite trup kosilice.</li> </ul>
Svakih 25 sati	<ul style="list-style-type: none"> <li>■ Provjerite pritisak u gumama.</li> </ul>
Svakih 100 sati	<ul style="list-style-type: none"> <li>■ Provjerite stražnje točkove i provjerite jesu li sve matice točka pritegnute preporučenim momentom pritezanja.</li> </ul>
Svakih 200 sati	<ul style="list-style-type: none"> <li>■ Provjerite prednje točkove i provjerite da li se slobodno okreću.</li> </ul>
Prije skladištenja	<ul style="list-style-type: none"> <li>■ Izvadite baterije iz kosilice.</li> <li>■ Uklonite sigurnosni ključ iz kosilice.</li> <li>■ Obavite sve prethodno navedene postupke održavanja i detaljno očistite kosilicu.</li> <li>■ Prije skladištenja pregledajte cijeli proizvod na postojanje oštećenih, nedostajućih ili otpuštenih dijelova, zatim zamijenite ili pritegnite odnosne dijelove.</li> </ul>

Godišnje	<ul style="list-style-type: none"> <li>■ Provjerite papučicu parkirne kočnice. Izvadite bateriju iz kosilice i postavite papučicu parkirne kočnice u položaj kočenja. Ručno gurnite kosilicu naprijed kako biste vidjeli može li se pomicati ili ne. Ako se kosilica pomakne, servisiranje prepustite kvalifikovanom servisnom tehničaru.</li> </ul>
----------	--

## OSNOVNO ODRŽAVANJE

### ČIŠĆENJE KUĆIŠTA KOSILICE (sl. F1 – F2)

### UPOTREBA PRIKLJUČKA ZA PRANJEZA ČIŠĆENJE TRUPA KOSILICE (sl. F3 – F4)

F2-1	Priključak za pranje	F2-2	Brza spojnica priključka za pranje
F2-3	Vrtno crijevo		

**NAPOMENA!** Nakon završetka postupka čišćenja potpuno isključite kosilicu, a zatim uklonite vrtno crijevo i brzu spojnicu.

### ODRŽAVANJE TRUPA KOSILICE I REZNIH NOŽEVA

#### PRIPREMA (sl. G1)

#### Uklanjanje trupa kosilice (sl. G2 – G3)

G2-1	Kabel motora	G2-2	Spojni element sistema amortizacije
G2-3	Rascjepka		

**NAPOMENA!** Prilikom uklanjanja trupa kosilice odvojite sve kablove motora i uklonite rascjepke.

#### Zamjena reznih noževa (sl. G4 – G6)

G4-1	Stabilizator	G5-1	Osovinica
G5-2	Podloška	G5-3	Nož
G5-4	Prirubnica	G5-5	Osovina motora

#### Nivelisanje trupa kosilice

- a. Kada je potrebno nivelisanje (sl. G7 – G9)
- b. Prije nivelisanja
  - Provjerite pritisak u hladnim gumama (sl. G10).



- Provjerite rezne noževe. Uklonite istrošene, napuknute i/ili savijene noževe i po potrebi ih zamijenite.
- c. **Priprema za nivelisanje (sl. G11)**
- d. **Postupak nivelisanja**
- Bočno podešavanje (sl. G12)
  - Podešavanje s prednje strane prema stražnjoj strani (sl. G13)

## KALIBRACIJA SISTEMA PRAĆENJA KOSILICE (sl. H1 – H2)

**NAPOMENA!** Indikator zvučnog signala oglašava se jednom pri pokretanju kalibracije i jednom po završetku kalibracije.

**NAPOMENA!** Kalibracija obavljena za jedan od režima vožnje (“KONTROLNI”, “STANDARDNI”, “SPORTSKI”) možda neće biti dostupna za druga dva režima. Kalibrirajte upravljač u svakom režimu vožnje nezavisno prema potrebi.

## VRAĆANJE KOSILICE NA TVORNIČKE POSTAVKE (sl. I)

**NAPOMENA!** Indikator zvučnog signala oglašava se jednom pri pokretanju postupka vraćanja na tvorničke postavke i jednom po završetku postupka vraćanja na tvorničke postavke.

**NAPOMENA!** Kada je vraćanje na tvorničke postavke uspješno, postavke navedene u nastavku vratit će se na početne tvorničke postavke:

- režim vožnje
- brzina vožnje
- kalibracija upravljača

## SKLADIŠTENJE I TRANSPORT

### TRANSPORT KOSILICE (sl. J1 – J5)

**NAPOMENA!** Ako je potrebno, kosilicu učvrstite trakama ili užadima da spriječite pomicanje tokom transporta.

### SKLADIŠTENJE (sl. K1 – K2)

**NAPOMENA!** Izvadite kompletne baterije i skladištite baterije u skladu s odgovarajućim priručnicima.

Prije skladištenja kosilicu čistite i pregledajte, pogledajte odjeljke “ČIŠĆENJE KOSILICE” i “PREPORUČENI RASPORED ODRŽAVANJA”.

### Zaštita životne sredine




WEEE (električna i elektronička oprema koja više nije iskoristiva) Električnu opremu, iskorištenu bateriju i punjač nemojte odlagati u kućni otpad! Ovaj proizvod odnesite u ovlaštenu centar za reciklažu i time omogućite odvojeno sakupljanje. Električne alate potrebno je vratiti u ekološki prihvatljiv pogon za reciklažu.

## OTKLANJANJE PROBLEMA

PROBLEM	UZROK	RJEŠENJE
Kosilicu za vožnju s nultim okretom nije moguće voziti kada se pritisne papučica gasa.	<ul style="list-style-type: none"> <li>Ukupna vrijednost Ah ugrađenih baterija ne ispunjava zahtjev.</li> </ul>	<ul style="list-style-type: none"> <li>Za pokretanje kosilice upotrebljavajte dovoljno EGO baterija prema uputama u odjeljku "<b>POSTAVLJANJE/ SKIDANJE KOMPLETA BATERIJA</b>" ovog priručnika.</li> </ul>
	<ul style="list-style-type: none"> <li>Papučica parkirne kočnice je postavljena u položaj kočenja.</li> </ul>	<ul style="list-style-type: none"> <li>Potpuno pritisnite papučicu parkirne kočnice da je oslobodite iz položaja kočenja.</li> </ul>
	<ul style="list-style-type: none"> <li>Lijeva i desna ručica nisu nakratko povučene prema rukovaocu kako bi indikator stanja kosilice svijetlio zeleno pri pokretanju kosilice.</li> </ul>	<ul style="list-style-type: none"> <li>Istovremeno povucite OBJE, lijevu i desnu ručicu prema sebi, a zatim ih otpustite. Indikator stanja kosilice će svijetliti zeleno, što znači da je kosilica spremna za pokretanje.</li> </ul>
	<ul style="list-style-type: none"> <li>Rukovalac ne sjedi na sjedištu.</li> </ul>	<ul style="list-style-type: none"> <li>Rukovalac može upravljati kosilicom samo ako pravilno sjedi na sjedištu.</li> </ul>
	<ul style="list-style-type: none"> <li>Prekidač sjedišta nije pravilno spojen.</li> </ul>	<ul style="list-style-type: none"> <li>Izvadite bateriju iz kosilice i demontirajte sjedište redosljedom obrnutim od redosljeda iz uputa u odjeljku "<b>POSTAVLJANJE SJEDIŠTA</b>" u ovom priručniku da pregledate je li utikač kabela propisno priključen u utičnicu na donjoj strani sjedišta. Ponovo postavite sjedište i pratite upute iz odjeljka "<b>POKRETANJE KOSILICE</b>" da ponovo pokrenete kosilicu i vidite može li se pokrenuti. Ako to nije slučaj, obratite se kvalifikovanom servisnom tehničaru radi popravka.</li> </ul>
	<ul style="list-style-type: none"> <li>U vrlo hladnim vremenskim uslovima funkcija vožnje možda se neće uspješno pokrenuti zbog zaštite od niske temperature.</li> </ul>	<ul style="list-style-type: none"> <li>Kosilicu i bateriju uvijek skladištite u toplom okruženju. Kosilicu ponovo pokrenite kada se zagrije. Izbjegavajte ponavljane pokušaje u vrlo hladnim vremenskim uslovima jer time možete oštetiti mašinu.</li> </ul>
	<ul style="list-style-type: none"> <li>Putanja kretanja papučice gasa je začepljena naslagama.</li> </ul>	<ul style="list-style-type: none"> <li>Provjerite ima li naslaga i uklonite ih.</li> </ul>
	<ul style="list-style-type: none"> <li>Kvar mehaničkih ili elektroničkih komponenti papučice gasa.</li> </ul>	<ul style="list-style-type: none"> <li>Obratite se kvalifikovanom servisnom tehničaru radi popravka.</li> </ul>



PROBLEM	UZROK	RJEŠENJE
Kosilica za vožnju s nultim okretom se zaustavlja.	<ul style="list-style-type: none"> <li>Lijeva/desna ručica zahtijeva "resetovanje".</li> </ul>	<ul style="list-style-type: none"> <li>Povucite lijevu/desnu ručicu prema sebi i zatim je otpustite. Kosilica je spremna za vožnju kada indikator stanja svijetli zeleno.</li> </ul>
	<ul style="list-style-type: none"> <li>Kvar elektroničkih komponenti papučice gasa.</li> </ul>	<ul style="list-style-type: none"> <li>Obratite se kvalifikovanom servisnom tehničaru radi popravka.</li> </ul>
	<ul style="list-style-type: none"> <li>Sigurnosni sistem zaključavanja sjedišta odvojio se tokom vožnje po neravnom terenu.</li> </ul>	<ul style="list-style-type: none"> <li>Izvadite bateriju iz kosilice i demontirajte sjedište redoslijedom obrnutim od redoslijeda iz uputa u odjeljku "<b>POSTAVLJANJE SJEDIŠTA</b>" u ovom priručniku da pregledate je li utikač kabla propisno priključen u utičnicu na donjoj strani sjedišta. Ponovo postavite sjedište i pratite upute iz odjeljka "<b>POKRETANJE KOSILICE</b>" da ponovo pokrenete kosilicu i vidite može li se pokrenuti. Ako to nije slučaj, obratite se kvalifikovanom servisnom tehničaru radi popravka.</li> </ul>
	<ul style="list-style-type: none"> <li>Tjelesna težina rukovaoca nije ravnomjerno raspoređena na sjedištu. Težina rukovaoca na sjedištu mora biti najmanje 20 kg kako bi sigurnosni sistem zaključavanja sjedišta ispravno funkcionirao.</li> </ul>	<ul style="list-style-type: none"> <li>Sjednite pravilno na sjedište, povucite lijevu/desnu ili obje ručice prema sebi i otpustite ih. Kosilica je zatim spremna za vožnju.</li> </ul>
	<ul style="list-style-type: none"> <li>Papučica parkirne kočnice pritišće se kako bi se smanjila brzina vožnje. Kada je papučica parkirne kočnice dovoljno pritisnuta, ali nije u položaju parkiranja, kosilica će se zaustaviti.</li> </ul>	<ul style="list-style-type: none"> <li>Odvojite komplet baterija i ponovo ga pričvrstite ako je potrebno.</li> <li>Za ponovno pokretanje kosilice pratite upute u odjeljku "<b>POKRETANJE KOSILICE</b>".</li> </ul>
Režim vožnje nije moguće podesiti tokom vožnje.	<ul style="list-style-type: none"> <li>Ovo je funkcija kosilice za vožnju s nultim okretom za sigurnu vožnju.</li> </ul>	<ul style="list-style-type: none"> <li>Funkcija će se aktivirati samo kada se točkovi kosilice zaustave.</li> </ul>

PROBLEM	UZROK	RJEŠENJE
<p>Kosilica za vožnju s nultim okretom ne pokreće noževe kada se aktivira PTO prekidač.</p>  Ikona PTO prekidača treperi.	<ul style="list-style-type: none"> <li>Ukupna vrijednost Ah ugrađenih baterija ne ispunjava zahtjev.</li> </ul>	<ul style="list-style-type: none"> <li>Za pokretanje kosilice upotrebljavajte dovoljno EGO baterija prema uputama u odjeljku "POSTAVLJANJE/SKIDANJE KOMPLETA BATERIJA" ovog priručnika.</li> </ul>
	<ul style="list-style-type: none"> <li>PTO prekidač nije bio pritisnut prema dolje pri zadnjem isključivanju kosilice.</li> </ul>	<ul style="list-style-type: none"> <li>Pritisnite PTO prekidač prema dolje i ponovo pokrenite motore noževa.</li> </ul>
	<ul style="list-style-type: none"> <li>Kosilica je preopterećena kada se noževi počnu okretati, što je rezultiralo aktivacijom funkcije samozaštite motora.</li> </ul>	<ul style="list-style-type: none"> <li>Prvo pokrenite kosilicu za košnju trave s nižom brzinom noža i nemojte povećavati brzinu noža dok se noževi ne počnu uspješno okretati.</li> </ul>
	<ul style="list-style-type: none"> <li>U vrlo hladnim vremenskim uslovima motor noža možda se neće uspješno pokrenuti zbog zaštite od niske temperature.</li> </ul>	<ul style="list-style-type: none"> <li>Kosilicu i bateriju uvijek skladištite u toplom okruženju. Kosilicu ponovo pokrenite kada se zagrije. Izbjegavajte ponavljane pokušaje u vrlo hladnim vremenskim uslovima jer time možete oštetiti mašinu.</li> </ul>
	<ul style="list-style-type: none"> <li>Nož udara o deformisani trup kosilice.</li> </ul>	<ul style="list-style-type: none"> <li>Obratite se centru korisničke službe proizvođača EGO.</li> </ul>
	<ul style="list-style-type: none"> <li>Kosilica se kreće brzinom "VOŽNJE".</li> </ul>	<ul style="list-style-type: none"> <li>Kada se kosilica kreće brzinom "VOŽNJE", motori noževa će se automatski zaustaviti.</li> </ul>

PROBLEM	UZROK	RJEŠENJE
Noževi prestaju raditi tokom košnje trave.	<ul style="list-style-type: none"> <li>▪ Kosilica je preopterećena.</li> </ul>	<ul style="list-style-type: none"> <li>▪ Povećajte visinu košnje trupa kosilice ili smanjite brzinu vožnje da smanjite opterećenje kosilice.</li> </ul>
	<ul style="list-style-type: none"> <li>▪ Trup kosilice je začepljen travom i naslagama.</li> </ul>	<ul style="list-style-type: none"> <li>▪ Očistite trup kosilice i vodite računa da se noževi mogu slobodno kretati.</li> </ul>
	<ul style="list-style-type: none"> <li>▪ Kosilica se pregrijava.</li> </ul>	<ul style="list-style-type: none"> <li>▪ Smanjite opterećenje kosilice povećanjem visine košnje trupa kosilice ili usporavanjem brzine noža/vožnje i pričekajte da se kosilica ohladi.</li> </ul>
	<ul style="list-style-type: none"> <li>▪ Kompleti baterija u pretincu za baterije kosilice su pregrijani, tako da ukupna vrijednost Ah svih ugrađenih baterija ne ispunjava zahtjev.</li> </ul>	<ol style="list-style-type: none"> <li>1. Kosilica može nastaviti raditi ako ukupna vrijednost Ah baterije, isključujući pregrišanu bateriju, ispunjava zahtjev. Čim se pregrišana baterija vrati na normalnu temperaturu, odmah će napajati kosilicu.</li> </ol>
		<ol style="list-style-type: none"> <li>2. Ako ukupna vrijednost Ah baterije ne ispunjava vrijednost, kosilica neće raditi sve dok se dodatni kompleti baterija ne umetnu u prazne pretince za baterije.</li> </ol>
		<ol style="list-style-type: none"> <li>3. Smanjite opterećenje kosilice povećanjem visine košnje trupa kosilice ili usporavanjem postupka košnje kada nastavljate s radom.</li> </ol>
	<ul style="list-style-type: none"> <li>▪ Kosilica je u režimu rada bez košnje.</li> </ul>	<ul style="list-style-type: none"> <li>▪ Kada je kosilica u režimu rada bez košnje, noževi se automatski prebacuju na malu brzinu okretanja. Rukovalac bi trebao što je moguće prije da prestane raditi i da ode u područje za punjenje baterije.</li> </ul>
<ul style="list-style-type: none"> <li>▪ Kosilica je udarila o strani predmet, što je rezultiralo aktivacijom funkcije samozaštite motora.</li> </ul>	<ul style="list-style-type: none"> <li>▪ Pritisnite PTO prekidač prema dolje i ponovo pokrenite motore noževa.</li> </ul>	
<ul style="list-style-type: none"> <li>▪ Brzina kosilice podešava se u režimu rada "VOŽNJA".</li> </ul>	<ul style="list-style-type: none"> <li>▪ Kada je brzina kosilice u režimu rada "VOŽNJA", motori noževa će se automatski zaustaviti.</li> </ul>	
Zvučni indikator nastavlja se oglašavati.	<ul style="list-style-type: none"> <li>▪ Kosilica je u režimu rada bez košnje, a noževi nisu isključeni.</li> </ul>	<ul style="list-style-type: none"> <li>▪ Pritisnite PTO prekidač prema dolje da isključite motore noževa. Zvučni indikator više se ne oglašava kada se motori noževa isključe.</li> </ul>
	<ul style="list-style-type: none"> <li>▪ Kosilica se zaustavlja na nagibu, a rukovalac napušta sjedište bez postavljanja papučice parkirne kočnice u položaj kočenja.</li> </ul>	<ul style="list-style-type: none"> <li>▪ Prije nego što kosilicu ostavite na nagibu, postavite papučicu parkirne kočnice u položaj kočenja.</li> </ul>

PROBLEM	UZROK	RJEŠENJE
Indikatori baterije ostaju uključeni nakon isključivanja kosilice.	<ul style="list-style-type: none"> <li>Ako se kosilica isključi na tlu, a da se iz nje ne izvade komplet(i) baterija, indikatori baterije, dugme za pokretanje/zaustavljanje i dugme CCS će svijetliti određeno vrijeme.</li> </ul>	<ul style="list-style-type: none"> <li>Radnja nije potrebna. Indikatori baterije isključuju se kada se kosilica isključi nakon određenog vremena. Informacije o određenom vremenu potražite u odjeljku <b>"ZAUSTAVLJANJE KOSILICE"</b>.</li> </ul>
	<ul style="list-style-type: none"> <li>Ako se kosilica isključi na nagibu bez postavljanja papučice parkirne kočnice u položaj kočenja, indikatori baterije će svijetliti dok se baterija ne isprazni. Zvučni indikator istovremeno se nastavlja oglašavati.</li> </ul>	<ul style="list-style-type: none"> <li>Prije nego što kosilicu ostavite na nagibu, postavite papučicu parkirne kočnice u položaj kočenja.</li> </ul>
LCD ekran ne svijetli sa svim uključenim ikonama.	<ul style="list-style-type: none"> <li>Dugme za pokretanje/zaustavljanje pritisnuto je dovoljno vremena.</li> </ul>	<ul style="list-style-type: none"> <li>Na LCD ekranu prikazuje se "mjerač goriva" samo kada se kratko pritisne dugme za pokretanje/zaustavljanje.</li> </ul>
		<ul style="list-style-type: none"> <li>LCD ekran se uključuje kada se dugme za pokretanje/zaustavljanje pritisne dovoljno dugo.</li> </ul>
Kosilica kosi neravnomjerno, sa značajnom razlikom u visini s prednje strane prema stražnjoj strani.	<ul style="list-style-type: none"> <li>Noževi su tupi.</li> </ul>	<ul style="list-style-type: none"> <li>Rezni nož naoštrite ili zamijenite kako je navedeno u ovom priručniku.</li> </ul>
	<ul style="list-style-type: none"> <li>Noževi su savijeni.</li> </ul>	<ul style="list-style-type: none"> <li>Savijeni rezni nož zamijenite prema uputama u odjeljku <b>"ZAMJENA REZNIH NOŽEVA"</b>.</li> </ul>
	<ul style="list-style-type: none"> <li>Trup kosilice nije nivelisan, što rezultira različitim visinama reznih noževa.</li> </ul>	<ul style="list-style-type: none"> <li>Trup kosilice izbalansirajte prema uputama u odjeljku <b>"NIVELISANJE TRUPA KOSILICE"</b>.</li> </ul>
Stvarna visina košnje trave ne odgovara navedenoj visini.	<ul style="list-style-type: none"> <li>Matice trupa kosilice na spojnom elementu sistema amortizacije su otpuštene.</li> </ul>	<ul style="list-style-type: none"> <li>Za pravilno podešavanje prednje strane prema stražnjoj strani za trup kosilice i dobro pritezanje matica na spojnom elementu sistema amortizacije pratite upute u odjeljku <b>"NIVELISANJE TRUPA KOSILICE"</b>.</li> </ul>
	<ul style="list-style-type: none"> <li>Trup kosilice je oštećen ili veoma istrošen.</li> </ul>	<ul style="list-style-type: none"> <li>Za zamjenu trupa kosilice pratite upute u odjeljku <b>"UKLANJANJE TRUPA KOSILICE"</b>.</li> </ul>
Kosilica ne malčira pravilno.	<ul style="list-style-type: none"> <li>Mokri komadići trave lijepe se za donju stranu trupa.</li> </ul>	<ul style="list-style-type: none"> <li>Prije košnje pričekajte da se trava posuši.</li> </ul>
	<ul style="list-style-type: none"> <li>Kosilica je postavljena za košnju prevelike količine trave odjednom.</li> </ul>	<ul style="list-style-type: none"> <li>Povećajte visinu košnje trupa kosilice.</li> </ul>

PROBLEM	UZROK	RJEŠENJE
Prevelika vibracija.	<ul style="list-style-type: none"> <li>▪ Rezni noževi su otpušteni.</li> </ul>	<ul style="list-style-type: none"> <li>▪ Pritegnite osovinicu noža preporučenim momentom pritezanja.</li> </ul>
	<ul style="list-style-type: none"> <li>▪ Noževi su savijeni.</li> </ul>	<ul style="list-style-type: none"> <li>▪ Savijeni rezni nož zamijenite prema uputama u odjeljku "ZAMJENA REZNIH NOŽEVA".</li> </ul>
	<ul style="list-style-type: none"> <li>▪ Trup kosilice nije iznivelisan.</li> </ul>	<ul style="list-style-type: none"> <li>▪ Trup kosilice izbalansirajte prema uputama u odjeljku "NIVELISANJE TRUPA KOSILICE".</li> </ul>
	<ul style="list-style-type: none"> <li>▪ Matice trupa kosilice na spojnom elementu sistema amortizacije su otpuštene.</li> </ul>	<ul style="list-style-type: none"> <li>▪ Pritegnite matice na spojnom elementu sistema amortizacije.</li> </ul>
	<ul style="list-style-type: none"> <li>▪ Kosilica je postavljena za košnju prevelike količine trave odjednom.</li> </ul>	<ul style="list-style-type: none"> <li>▪ Povećajte visinu košnje trupa kosilice.</li> </ul>
Nakon košnje na tlu ima trave ili naslaga.	<ul style="list-style-type: none"> <li>▪ Kosilica je postavljena za košnju prevelike količine trave odjednom kad je trava visoka.</li> </ul>	<ul style="list-style-type: none"> <li>▪ Počnite s velikom visinom košnje i smanjite je dok se ne postigne željeni rezultat košnje. Travu visoku više od 152 mm potrebno je kositi dva puta, s uzastopno nižim visinama košnje.</li> </ul>
	<ul style="list-style-type: none"> <li>▪ Trava je mokra.</li> </ul>	<ul style="list-style-type: none"> <li>▪ Nemojte kositi kada je trava mokra dok se ne posuši.</li> </ul>
	<ul style="list-style-type: none"> <li>▪ Brzina vožnje je visoka.</li> </ul>	<ul style="list-style-type: none"> <li>▪ Smanjite brzinu vožnje.</li> </ul>
	<ul style="list-style-type: none"> <li>▪ Brzina noža je niska.</li> </ul>	<ul style="list-style-type: none"> <li>▪ Postepeno povećavajte brzinu noža.</li> </ul>
Kratko vrijeme rada kosilice s isporučenom baterijom.	<ul style="list-style-type: none"> <li>▪ Teren travnjaka, stanje trave, postavka visine rezanja, brzina vožnje, brzina noža, itd. imaju veliki utjecaj na vrijeme rada.</li> </ul>	<ul style="list-style-type: none"> <li>▪ Povećajte visinu košnje trupa kosilice i smanjite brzinu noža da smanjite opterećenje pri košnji.</li> </ul>
Kosilica se ne kreće ravno.	<ul style="list-style-type: none"> <li>▪ Pritisak u gumama za lijevi i desni stražnji točak je različit.</li> </ul>	<ul style="list-style-type: none"> <li>▪ Provjerite pritisak zraka u gumama oba stražnja točka i podesite ga prema preporuci u odjeljku "SPECIFIKACIJE".</li> </ul>
	<ul style="list-style-type: none"> <li>▪ Brzina vožnje za lijevi i desni stražnji točak je različita.</li> </ul>	<ul style="list-style-type: none"> <li>▪ Obavite kalibraciju upravljača prema uputama u odjeljku "KALIBRACIJA SISTEMA NAVOĐENJA KOSILICE".</li> </ul>
Papučica parkirne kočnice ne može se otpustiti iz položaja kočenja ili se sporo vraća.	<ul style="list-style-type: none"> <li>▪ U papučicu parkirne kočnice možda su dospjele naslage ili prljavština.</li> </ul>	<ul style="list-style-type: none"> <li>▪ Otvorite kućište papučice parkirne kočnice da ga dobro očistite, a zatim ga ponovo zatvorite. Ponovo postavite papučicu parkirne kočnice da vidite je li problem riješen. Ako to nije slučaj, obratite se kvalifikovanim servisnom tehničaru radi popravka.</li> </ul>

PROBLEM	UZROK	RJEŠENJE
Kosilica se ne može puniti pomoću priključka za punjenje kada indikator stanja kosilice svijetli crveno.	<ul style="list-style-type: none"> <li>▪ Utikač punjača nije pravilno umetnut u priključak za punjenje na kosilici.</li> </ul>	<ul style="list-style-type: none"> <li>▪ Ponovo spojite utikač punjača da vidite može li se kosilica normalno puniti.</li> </ul>
	<ul style="list-style-type: none"> <li>▪ U zidnim utičnicama nema struje.</li> </ul>	<ul style="list-style-type: none"> <li>▪ Radnja nije potrebna. Pričekajte da se napajanje povraća.</li> </ul>
	<ul style="list-style-type: none"> <li>▪ Punjač je neispravan.</li> </ul>	<ul style="list-style-type: none"> <li>▪ Obratite se centru korisničke službe proizvođača EGO radi pregleda i po potrebi popravite punjač.</li> </ul>
	<ul style="list-style-type: none"> <li>▪ Priključak za punjenje na kosilici je neispravan.</li> </ul>	<ul style="list-style-type: none"> <li>▪ Obratite se centru korisničke službe proizvođača EGO.</li> </ul>
Vrijeme punjenja putem priključka za punjenje kosilice je predugo.	<ul style="list-style-type: none"> <li>▪ Punjenje s EGO adapterom ACA1000 traje predugo.</li> </ul>	<ul style="list-style-type: none"> <li>▪ Za direktno punjenje kosilice za vožnju s nultim okretom upotrebljavajte EGO punjač CHV1600E.</li> </ul>
Baterija se ne može potpuno napuniti putem priključka za punjenje kosilice.	<ul style="list-style-type: none"> <li>▪ Greška firmvera kosilice ili kvar baterije ili punjača.</li> </ul>	<ul style="list-style-type: none"> <li>▪ Resetujte punjač izvlačenjem utikača iz strujnog napajanja i pričekajte ne duže od nekoliko minuta. Utikač zatim ponovo utaknite u strujnu utičnicu. Ako se problem ne riješi, obratite se centru korisničke službe proizvođača EGO.</li> </ul>
Kosilicu nije moguće pokrenuti nakon čišćenja.	<ul style="list-style-type: none"> <li>▪ Neproprisan čišćenje, poput vode prolivene po električnim komponentama, LCD ekranu, itd.</li> </ul>	<ul style="list-style-type: none"> <li>▪ Za pravilno čišćenje kosilice pratite upute u odjeljku "<b>OPĆE ODRŽAVANJE</b>".</li> </ul>
		<ul style="list-style-type: none"> <li>▪ Ako kosilica slučajno pokisne, pričekajte da se osuši na zraku ili je osušite komprimiranim zrakom.</li> </ul>
Trup kosilice brzo se začepe.	<ul style="list-style-type: none"> <li>▪ Trup kosilice nije propisno očišćen nakon prethodne upotrebe.</li> </ul>	<ul style="list-style-type: none"> <li>▪ Trup kosilice očistite nakon svake upotrebe kako je opisano u odjeljku "<b>UPOTREBA PRIKLJUČKA ZA PRANJE ZA ČIŠĆENJE TRUPA KOSILICE</b>".</li> </ul>
Kosilica lako gubi vuču pri vožnji uz nagib.	<ul style="list-style-type: none"> <li>▪ Gume na stražnjim točkovima su istrošene.</li> </ul>	<ul style="list-style-type: none"> <li>▪ Za zamjenu guma točka obratite se lokalnoj servisnoj službi.</li> </ul>
	<ul style="list-style-type: none"> <li>▪ Košnja na strmom nagibu.</li> </ul>	<ul style="list-style-type: none"> <li>▪ Kosilica se ne smije upotrebljavati za košenje nagiba većih od potrebnog stepena.</li> </ul>
Ako se zaustavi na nagibu s pritisnutom papučicom parkirne kočnice, kosilica može skliznuti niz nagib.	<ul style="list-style-type: none"> <li>▪ Komponente kočnice su previše istrošene zbog nepravilnog rukovanja kosilicom.</li> </ul>	<ul style="list-style-type: none"> <li>▪ Za popravak se obratite centru korisničke službe proizvođača EGO.</li> </ul>
<b>BS</b> Prilikom pranja trupa kosilice voda ne izlazi iz priključka za pranje.	<ul style="list-style-type: none"> <li>▪ Brza spojica priključka za pranje nije propisno postavljena na priključak za pranje.</li> </ul>	<ul style="list-style-type: none"> <li>▪ Ponovo pričvrstite brzu spojnicu priključka za pranje tako da osjetite jasno klikanje nakon jakog pritiska. Ako time ne otklonite problem, obratite se centru korisničke službe proizvođača EGO.</li> </ul>

PROBLEM	UZROK	RJEŠENJE
Kada se kosilica ručno gurne bez pokretanja, čuje se neobičan zvuk.	<ul style="list-style-type: none"> <li>Zvuk dolazi od magneta u pogonskom motoru.</li> </ul>	<ul style="list-style-type: none"> <li>To je uobičajena pojava i nije potrebna nikakva radnja.</li> </ul>
Upravljač se ne može okretati.	<ul style="list-style-type: none"> <li>Sklop upravljača je začepljen naslagama.</li> </ul>	<ul style="list-style-type: none"> <li>Provjerite ima li naslaga i uklonite ih.</li> </ul>
Kosilica se ne okreće lijevo/desno kada se okreće upravljač.	<ul style="list-style-type: none"> <li>Kvar elektronskih ili mehaničkih komponenti.</li> </ul>	<ul style="list-style-type: none"> <li>Za popravak se obratite centru korisničke službe proizvođača EGO.</li> </ul>
Kosilica se ne zaustavlja kada se otpusti papučica gasa.	<ul style="list-style-type: none"> <li>Povratna putanja papučice gasa je začepljena naslagama.</li> </ul>	<ul style="list-style-type: none"> <li>Provjerite ima li naslaga i uklonite ih.</li> </ul>
	<ul style="list-style-type: none"> <li>Dugme CCS slučajno je pritisnuto tokom vožnje. Kosilica je u režimu rada tempomata.</li> </ul>	<ul style="list-style-type: none"> <li>Provjerite svijetli li ikona CCS na LCD ekranu i izađite iz režima CCS ako je potrebno. Pogledajte odjeljak <b>"UPOTREBA TEMPOMATA (CCS)"</b>.</li> </ul>
Funkcija CCS ne može se aktivirati ili isključiti.	<ul style="list-style-type: none"> <li>Dugme CCS nije pravilno pritisnuto.</li> </ul>	<ul style="list-style-type: none"> <li>Pritišćite dugme CCS dok ikona CCS ne zasvijetli ili ne nestane s LCD ekrana.</li> </ul>
Kosilica ne može voziti unazad kada se lijeva/desna ručica povuče prema rukovaocu.	<ul style="list-style-type: none"> <li>Indikator stanja kosilice ne svijetli zeleno i kosilica nije spremna za vožnju.</li> </ul>	<ul style="list-style-type: none"> <li>Pratite upute iz odjeljka "POKRETANJE KOSILICE" kako bi indikator stanja kosilice zasvijetlio zeleno i kosilica bila spremna za vožnju.</li> </ul>
	<ul style="list-style-type: none"> <li>Lijeva/desna ručica nije pravilno povučena prema rukovaocu.</li> </ul>	<ul style="list-style-type: none"> <li>Povlačite lijevu ili desnu ručicu ili obje ručice u isto vrijeme prema sebi dok ne začujete zvuk klikanja.</li> </ul>
	<ul style="list-style-type: none"> <li>Lijeva/desna ručica ne drži se povučena prema rukovaocu.</li> </ul>	<ul style="list-style-type: none"> <li>Za vožnju unazad barem jedna od ručica mora biti povučena prema rukovaocu.</li> </ul>
	<ul style="list-style-type: none"> <li>Lijeva/desna ručica je neispravna.</li> </ul>	<ul style="list-style-type: none"> <li>Obratite se kvalifikovanom servisnom tehničaru radi popravka.</li> </ul>



## REFERENCA STANJA KOSILICE I KOD GREŠKE





LCD zaslon	Opis	Kod greške na LCD ekranu	Indikator stanja kosilice	Zujalica	Uzrok	Rješenje
	Na LCD ekranu prikazuje se ikona LED svjetla.	Nije primjenjivo.	ISKLJUČENO	Ne	Prednja svjetla, bočna svjetla i stražnja svjetla uključuju se pomoću prekidača za LED svjetla.	Ovo je uobičajeni rad. Radnja nije potrebna.
	Na LCD ekranu prikazuje se ikona USB priključka.	Nije primjenjivo.	ISKLJUČENO	Ne	Ikona USB priključka svijetli i ukazuje da USB uređaj može raditi nakon pravilnog pokretanja kosilice.	Ovo je uobičajeni rad. Radnja nije potrebna.
	Na LCD ekranu prikazuje se ikona mjerača goriva.	Nije primjenjivo.	ISKLJUČENO	Ne	Prikazuje prosječni kapacitet punjenja ugrađenih baterija.	Ovo je uobičajeni rad. Radnja nije potrebna.
	Na LCD ekranu prikazuje se ikona brojača sati.	Nije primjenjivo.	ISKLJUČENO	Ne	Prikazuje ukupno vrijeme vožnje kosilice u satima i ne može se resetovati.	Ovo je uobičajeni rad. Radnja nije potrebna.
	U ECO području prikazuje se ikona indikatora opterećenja.	Nije primjenjivo.	ISKLJUČENO	Ne	Prikazuje trenutno opterećenje kosilice.	Ovo je uobičajeni rad. Radnja nije potrebna.
	Na LCD ekranu prikazuje se ikona vožnje unazad.	Nije primjenjivo.	ISKLJUČENO	Ne	Prikazuje da kosilica vozi unazad.	Ovo je uobičajeni rad. Radnja nije potrebna.
	Ikona sigurnosnog ključa treperi.	Nije primjenjivo.	ISKLJUČENO	Ne	Sigurnosni ključ nije umetnut.	Umetnite sigurnosni ključ, a zatim pritisnite dugme za POKRETANJE/ZAUSTAVLJANJE i držite ga pritisnutim da uključite kosilicu.
					Sklop upravljačke ploče s tipkama je neispravan.	Popravke prepustite kvalifikovanom servisnom tehničaru.

LCD zaslon	Opis	Kod greške na LCD ekranu	Indikator stanja kosilice	Zujalica	Uzrok	Rješenje
	Ikona određenog pretinca za baterije treperi.	Nije primjenjivo.	ISKLJUČENO	Ne	Određena baterija radi pod prekomjernom strujom tokom pražnjenja.	Radnja nije potrebna. Kosilica može nastaviti raditi ako ukupna vrijednost Ah baterije, isključujući strujno preopterećenu bateriju, ispunjava zahtjev. Čim se pregrijana baterija vrati u normalno stanje, odmah će nastaviti napajati kosilicu i ikona će nestati.
	Ikona praznog pretinca za baterije treperi.	Nije primjenjivo.	ISKLJUČENO	Ne	Kapacitet baterije nije dovoljan da se omogući rad kosilice.	Za pokretanje kosilice upotrebjavajte dovoljno EGO baterija prema uputama u odjeljku <b>"POSTAVLJANJE/SKIDANJE KOMPLETA BATERIJA"</b> ovog priručnika.
	Indikator preopterećenja treperi.	Nije primjenjivo.	Treperi crveno.	Jedan zvučni signal	Motor noža je preopterećen.	Povećajte visinu košnje trupa kosilice ili smanjite brzinu vožnje da smanjite opterećenje kosilice.
					Bočni izlazni otvor je začepljen travom i naslagama.	Očistite bočni izlazni otvor nakon svake upotrebe.
					Postoji smetnja između noža i trupa kosilice.	Obratite se centru korisničke službe proizvođača EGO.
	Ikona temperature treperi.	Nije primjenjivo.	ISKLJUČENO	Jedan zvučni signal	Kosilica se pregrijava.	Smanjite opterećenje kosilice povećanjem visine košnje trupa kosilice ili usporavanjem brzine noža/vožnje. Napravite pauzu i pričekajte da se kosilica ohladi.
					Kosilica je previše hladna.	Izbjegavajte ponavljane pokušaje jer time možete oštetiti mašinu. Kosilicu i baterije uvijek skladištite u toplom okruženju. Kosilicu ponovo pokrenite kada se zagrije.

LCD zaslon	Opis	Kod greške na LCD ekranu	Indikator stanja kosilice	Zujalica	Uzrok	Rješenje
	Ikona temperature i tačno zauzeti pretinac za bateriju istovremeno trepere.	Nije primjenjivo.	ISKLJUČENO	Ne	Komplet baterija u pretincu za baterije s odgovarajućim brojem se pregrijava.	<p>1. Kosilica može nastaviti raditi ako ukupna vrijednost Ah baterije, isključujući pregrišanu bateriju, ispunjava zahtjev. Čim se pregrišana baterija vrati na normalnu temperaturu, odmah će napajati kosilicu.</p> <p>2. Ako ukupna vrijednost Ah baterije nije dovoljna, kosilica neće raditi sve dok se dodatni kompleti baterija ne umetnu u prazne pretince za baterije.</p> <p>3. Smanjite opterećenje kosilice povećanjem visine košnje trupa kosilice ili usporavanjem postupka košnje kada nastavljate s radom.</p>
	Ikone svakog zauzetog pretinca za baterije, indikator niskog nivoa napunjenosti i mjerac goriva istovremeno trepere na LCD ekranu svake sekunde. Trepere i prvi LED indikator mjerača goriva i stanja kosilice.	Nije primjenjivo.	Treperi crveno.	Zvučni signal oglašava se do pritiska na PTO prekidač.	Nivo napunjenosti kompleta baterija je nizak i kosilica je u režimu rada bez košnje.	Prestanite raditi i vratite se u područje za punjenje baterije. <b>NAPOMENA!</b> Kada je kosilica u režimu rada bez košnje, noževi se automatski prebacuju na malu brzinu okretanja, a u međuvremenu će se nastaviti oglašavati zvučni indikator. Rukovalac treba pritisnuti PTO prekidač prema dolje da isključi motore noževa. Zvučni indikator prestaje se oglašavati nakon zaustavljanja noža.
	Ikona svakog zauzetog pretinca za baterije i indikator niskog nivoa napunjenosti trepere svakih pola sekunde, prvi LED mjerac goriva također će treperiti crveno svakih pola sekunde.	Nije primjenjivo.	Treperi crveno.	Zvučni signal i dalje se oglašava.	Kompleti baterija su se skoro ispraznili.	Kosilica će odmah prestati raditi. Rukovalac kosilicu treba transportovati do područja za punjenje baterije radi punjenja.

LCD zaslon	Opis	Kod greške na LCD ekranu	Indikator stanja kosilice	Zujalica	Uzrok	Rješenje
(A)	Na LCD ekranu treperi ikona funkcije automatskog parkiranja.	Nije primjenjivo.	ISKLJUČENO	Zvučni signal i dalje se oglašava.	Kosilica je parkirana na nagibu, a rukovalac napušta kosilicu bez postavljanja papučice kočnice u položaj kočenja.	Postavite papučicu kočnice u položaj kočenja. Ikona funkcije automatskog parkiranja će se isključiti, a zvučni indikator će se prestati oglašavati.
(P)	Na LCD ekranu prikazuje se ikona papučice kočnice.	Nije primjenjivo.	ISKLJUČENO	Ne	Papučica parkirne kočnice je postavljena u položaj kočenja.	Otpustite ga prije pokretanja kosilice.

**NAPOMENA!** Ako se na LCD ekranu prikaže kod greške, izvadite sve kompletne baterije i ponovno ih umetnite nekoliko minuta kasnije. Ako se time ne riješi problem, pratite upute za rješavanje problema s kodovima greške u nastavku.

LCD zaslon	Opis	Kod greške na LCD ekranu	Indikator stanja kosilice	Zujalica	Uzrok	Rješenje
	Na LCD ekranu prikazuje se ikona senzora sjedišta.	Nije primjenjivo.	ISKLJUČENO	Ne	Rukovalac napušta sjedište ili sigurnosni sistem zaključavanja sjedišta je odvojen.	Ako se ikona uključi kada rukovalac sjedi na sjedištu, odmah obustavite rad s kosilicom i provjerite priključak sjedišta. Ako je priključak sjedišta s kosilicom potvrđen kao ispravan, obratite se kvalifikovanom servisnom tehničaru radi popravka.
	Ikona PTO prekidača treperi.	Nije primjenjivo.	ISKLJUČENO	Ne	Došlo je do prekida rada motora noža, a PTO prekidač nije postavljen u položaj isključivanja.	Prije ponovnog pokretanja kosilice, pritisnite PTO prekidač prema dolje da isključite motore noževa. Više informacija potražite u odjeljku " <b>OTKLANJANJE PROBLEMA</b> " u ovom priručniku.
	Ikona za obnovu energije povremeno treperi.	Nije primjenjivo.	ISKLJUČENO	Ne	Kinetička energija proizvedena pri kočenju ili vožnji nizbrdo pretvara se u električnu energiju za punjenje kompleta baterija.	Ovo je uobičajeni rad. Radnja nije potrebna.
	Ikona režima CCS treperi.	Nije primjenjivo.	ISKLJUČENO	Ne	Funkcija CCS (sistem tempomata) ne radi.	Funkcija CCS nije se mogla postaviti kada kosilica radi vrlo malom brzinom ili unazad.

LCD zaslon	Opis	Kod greške na LCD ekranu	Indikator stanja kosilice	Zujalica	Uzrok	Rješenje	
Pogledajte odjeljak " <b>Kod kvara</b> ".	Lijevi pogonski motor se ne okreće.	Lijevi pogonski motor s PCBA upravljanjem ne radi.	413	ISKLUČENO	Jedan zvučni signal	Kvar PCBA	Popravke prepustite kvalifikovanom servisnom tehničaru.
		Utikač (trofazni, strujni kabel) koji spaja lijevi pogonski motor s odgovarajućom PCBA-om je otpušten.	317	ISKLUČENO	Jedan zvučni signal	Otpušteni priključak	
		Utikač (šestopinski, signalni kabel) koji spaja lijevi pogonski motor s odgovarajućom PCBA-om je otpušten.	301	ISKLUČENO	Jedan zvučni signal	Otpušteni priključak	
		Lijevi pogonski motor ne radi.	317	ISKLUČENO	Jedan zvučni signal	Kvar motora	

LCD zaslon	Opis	Kod greške na LCD ekranu	Indikator stanja kosilice	Zujalica	Uzrok	Rješenje	
Pogledajte odjeljak " <b>Kod kvara</b> ".	Desni pogonski motor se ne okreće.	Desni pogonski motor s PCBA upravljanjem ne radi.	313	ISKLJUČENO	Jedan zvučni signal	Kvar PCBA	Popravke prepustite kvalifikovanom servisnom tehničaru.
		Utikač (trofazni, strujni kabel) koji spaja desni pogonski motor s odgovarajućom PCBA-om je otpušten.	417	ISKLJUČENO	Jedan zvučni signal	Otpušteni priključak	
		Utikač (šestopinski, signalni kabel) koji spaja desni pogonski motor s odgovarajućom PCBA-om je otpušten.	401	ISKLJUČENO	Jedan zvučni signal	Otpušteni priključak	
		Desni pogonski motor ne radi.	417	ISKLJUČENO	Jedan zvučni signal	Kvar motora	
Pogledajte odjeljak " <b>Kod kvara</b> ".	Lijevi motor noža se ne okreće.	Lijevi motor noža s PCBA upravljanjem ne radi.	607	Nije primjenjivo.	Jedan zvučni signal	Kvar PCBA	Popravke prepustite kvalifikovanom servisnom tehničaru.
		Utikač (trofazni, strujni kabel) koji spaja lijevi motor noža s odgovarajućom PCBA-om je otpušten.	509	Nije primjenjivo.	Jedan zvučni signal	Otpušteni priključak	Najprije pregledajte nož. U slučaju otpuštanja pritegnite osovinicu preporučenim momentom pritezanja. U suprotnom, popravke prepustite kvalifikovanom servisnom tehničaru.
		Lijevi motor noža ne radi.	509	Nije primjenjivo.	Jedan zvučni signal	Kvar motora	



LCD zaslon	Opis	Kod greške na LCD ekranu	Indikator stanja kosilice	Zujalica	Uzrok	Rješenje	
Pogledajte odjeljak "Kod kvara".	Desni motor noža se ne okreće.	Desni motor noža s PCBA upravljanjem ne radi.	507	Nije primjenjivo.	Jedan zvučni signal	Kvar PCBA	Popravke prepustite kvalifikovanom servisnom tehničaru.
		Utikač (trofazni, strujni kabel) koji spaja desni motor noža s odgovarajućom PCBA-om je otpušten.	609	Nije primjenjivo.	Jedan zvučni signal	Otpušteni priključak	Najprije pregledajte nož. U slučaju otpuštanja pritegnite osovinicu preporučenim momentom pritezanja. U suprotnom, popravke prepustite kvalifikovanom servisnom tehničaru.
		Desni motor noža ne radi.	609	Nije primjenjivo.	Jedan zvučni signal	Kvar motora	
Pogledajte odjeljak "Kod kvara".	Papučica gasa ne radi.	311/ 411	ISKLUČENO	Jedan zvučni signal	Kvar PCBA	Popravke prepustite kvalifikovanom servisnom tehničaru.	
		307/ 407			Otpušteni priključak		
Pogledajte odjeljak "Kod kvara".	Upravljač ne radi.	312/ 412	ISKLUČENO	Jedan zvučni signal	Kvar PCBA	Popravke prepustite kvalifikovanom servisnom tehničaru.	
					Otpušteni priključak		
Pogledajte odjeljak "Kod kvara".	Parkirna kočnica ne radi, kosilica se ne može voziti.	PCBA parkirne kočnice koji se nalazi u sklopu prednjeg okvira je u kvaru.	309/ 409	ISKLUČENO	Jedan zvučni signal	Kvar PCBA	Popravke prepustite kvalifikovanom servisnom tehničaru.
		Prekidač i/ili kabel parkirne kočnice je u kvaru.	801	ISKLUČENO	Jedan zvučni signal	Kvar kabela/ prekidača	

LCD zaslon	Opis	Kod greške na LCD ekranu	Indikator stanja kosilice	Zujalica	Uzrok	Rješenje
ISKLJUČENO	Kvar priključka za punjenje	Nije primjenjivo.	Svijetli CRVENO.	Nije primjenjivo.	Priključak za punjenje je u otvorenom krugu.	Popravke prepustite kvalifikovanom servisnom tehničaru.
		Nije primjenjivo.	Svijetli CRVENO.	Nije primjenjivo.	Nema strujnog napajanja.	Provjerite je li napajanje zidne utičnice od 220 V – 240 V ili je li utičnica u dobrom stanju.
		Nije primjenjivo.	Svijetli CRVENO.	Nije primjenjivo.	Osigurač je pregorio.	Popravke prepustite kvalifikovanom servisnom tehničaru.
Pogledajte odjeljak "Kod kvara".	Kvar priključka za punjenje	204	Nije primjenjivo.	Jedan zvučni signal	Priključak za punjenje je u otvorenom krugu.	Popravke prepustite kvalifikovanom servisnom tehničaru.
Pogledajte odjeljak "Kod kvara".	Sklop pretinca za baterije ne radi.	217	Nije primjenjivo.	Jedan zvučni signal	Izvor napajanja iz sklopa pretinca za baterije je u kvaru. LED prednja svjetla i USB ne rade.	Popravke prepustite kvalifikovanom servisnom tehničaru.
		310/ 410	ISKLJUČENO	Jedan zvučni signal	Spoj između kabela tipa C sklopa pretinca za baterije i ostalih kabela tipa C kosilice je neispravan.	
		201/ 202/ 203	ISKLJUČENO	Jedan zvučni signal	BMS sklopa pretinca za baterije je u kvaru.	
Pogledajte odjeljak "Kod kvara".	Kvar prekidača za pokretanje/ zaustavljanje	314/ 414	ISKLJUČENO	Jedan zvučni signal	Kvar prekidača PCBA ili loš kablanski spoj za prekidač za pokretanje/ zaustavljanje.	Popravke prepustite kvalifikovanom servisnom tehničaru.
Pogledajte odjeljak "Kod kvara".	Kvar LCD ekrana	315/ 415	ISKLJUČENO	Jedan zvučni signal	Kvar sklopa LCD-a ili loš kablowski spoj sklopa LCD-a.	Popravke prepustite kvalifikovanom servisnom tehničaru.



# GARANCIJA

## POLITIKA GARANCIJE PROIZVOĐAČA EGO

Za sve odredbe i uslove politike garancije proizvođača EGO posjetite internetsku stranicu [egopowerplus.com](http://egopowerplus.com).

BS

شاشة عرض LCD	الوصف	كود العطل على شاشة LCD	مؤشر حالة الجزازة	جهاز التنبيه الصوتي	السبب	الحل
انظر "كود الأعطال"	تجميعية صندوق البطارية لا تعمل	217	غير متاح	تنبيه صوتي واحد	مصدر الطاقة من تجميعية صندوق البطارية معطوب. لن تعمل الكشافات الأمامية LED ومنفذ USB.	يجب إصلاحها من قبل فني صيانة مؤهل.
		/310 410	متوقف	تنبيه صوتي واحد	الاتصال بين كابلات Type C بتجميعية صندوق البطارية وكابلات Type C الأخرى بالجزازة لا يعمل.	
		/201 /202 203	متوقف	تنبيه صوتي واحد	نظام إدارة البطارية (BMS) الخاص بتجميعية صندوق البطارية معطوب.	
انظر "كود الأعطال"	عطل في مفتاح التشغيل/الإيقاف	/314 414	متوقف	تنبيه صوتي واحد	خلل في لوحة الدائرة الكهربائية (PCBA) للمفتاح أو اتصال سلكي سيء لمفتاح التشغيل/الإيقاف.	يجب إصلاحها من قبل فني صيانة مؤهل.
انظر "كود الأعطال"	عطل في شاشة LCD	/315 415	متوقف	تنبيه صوتي واحد	تجميعية شاشة LCD معطوبة أو هناك اتصال سلكي سيء في تجميعية شاشة LCD.	يجب إصلاحها من قبل فني صيانة مؤهل.

## الضمان

### سياسة ضمان EGO

تفضل بزيارة الموقع الإلكتروني [egopowerplus.com](http://egopowerplus.com) للتعرف على الشروط والأحكام الكاملة الخاصة بسياسة ضمان EGO.

شاشة عرض LCD	الوصف	كود العطل على شاشة LCD	مؤشر حالة الجزازة	جهاز التنبيه الصوتي	السبب	الحل
انظر "كود الأعطال"	خلل في عجلة القيادة	/312 412	متوقف	تنبيه صوتي واحد	خلل في لوحة الدائرة الكهربائية (PCBA)	يجب إصلاحها من قبل فني صيانة مؤهل.
					وصلة مفكوكة	
انظر "كود الأعطال"	فرملة الوقوف لا تعمل، ولا يمكن قيادة الجزازة.	/309 409	متوقف	تنبيه صوتي واحد	خلل في لوحة الدائرة الكهربائية (PCBA)	يجب إصلاحها من قبل فني صيانة مؤهل.
					هناك تلف في مفتاح و/أو كابل فرملة الوقوف.	
متوقف	عطل في منفذ الشحن	غير متاح	أحمر ثابت	غير متاح	منفذ الشحن موجود في دائرة مفتوحة.	يجب إصلاحها من قبل فني صيانة مؤهل.
					لا يوجد اتصال بالتيار.	تحقق مما إذا كان مقبس الحائط به تيار 220 - 240 فولت أو أن المقبس في حالة جيدة.
					المصهر محترق.	يجب إصلاحها من قبل فني صيانة مؤهل.
انظر "كود الأعطال"	عطل في منفذ الشحن	204	غير متاح	تنبيه صوتي واحد	منفذ الشحن موجود في دائرة مفتوحة.	يجب إصلاحها من قبل فني صيانة مؤهل.

شاشة عرض LCD	الوصف	كود العطل على شاشة LCD	مؤشر حالة الجزارة	جهاز التنبيه الصوتي	السبب	الحل
انظر "كود الأعطال"	محرك الشفرة الأيسر لا يمكنه الدوران.	607	غير متاح	تنبيه صوتي واحد	خلل في لوحة الدائرة الكهربائية (PCBA)	يجب إصلاحها من قبل فني صيانة مؤهل.
		509	غير متاح	تنبيه صوتي واحد	وصلة مفكوكة	افحص الشفرة أولاً. إذا كانت مفكوكة، اربط المسامير بالعزم الموصى به. وإلا، يجب الإصلاح من قبل فني صيانة مؤهل.
انظر "كود الأعطال"	محرك الشفرة الأيمن لا يمكنه الدوران	509	غير متاح	تنبيه صوتي واحد	خلل في المحرك	افحص الشفرة أولاً. إذا كانت مفكوكة، اربط المسامير بالعزم الموصى به. وإلا، يجب الإصلاح من قبل فني صيانة مؤهل.
		507	غير متاح	تنبيه صوتي واحد	خلل في لوحة الدائرة الكهربائية (PCBA)	يجب إصلاحها من قبل فني صيانة مؤهل.
انظر "كود الأعطال"	محرك الشفرة الأيمن لا يمكنه الدوران	609	غير متاح	تنبيه صوتي واحد	وصلة مفكوكة	افحص الشفرة أولاً. إذا كانت مفكوكة، اربط المسامير بالعزم الموصى به. وإلا، يجب الإصلاح من قبل فني صيانة مؤهل.
		609	غير متاح	تنبيه صوتي واحد	خلل في المحرك	افحص الشفرة أولاً. إذا كانت مفكوكة، اربط المسامير بالعزم الموصى به. وإلا، يجب الإصلاح من قبل فني صيانة مؤهل.
انظر "كود الأعطال"	خلل في دواسة الوقود	311 411	متوقف	تنبيه صوتي واحد	خلل في لوحة الدائرة الكهربائية (PCBA)	يجب إصلاحها من قبل فني صيانة مؤهل.
		307 407				

الحل	السبب	جهاز التنبيه الصوتي	مؤشر حالة الجزازة	كود العطل على شاشة LCD	الوصف	شاشة عرض LCD
يجب إصلاحها من قبل فني صيانة مؤهل.	خلل في لوحة الدائرة الكهربائية (PCBA)	تنبيه صوتي واحد	متوقف	313	هناك خلل في محرك الحركة الأيمن الخاضع للتحكم من قبل لوحة الدائرة الكهربائية (PCBA).	انظر "كود الأعطال" لا يمكنه الدوران
	وصلة مفكوكة	تنبيه صوتي واحد	متوقف	417	القابس (ثلاثي المراحل، كابل طاقة) الموصل لمحرك الحركة الأيمن مع لوحة الدائرة الكهربائية المعنوية (PCBA) مفكوك.	
	وصلة مفكوكة	تنبيه صوتي واحد	متوقف	401	القابس (سداسي المراحل، كابل إشارة) الموصل لمحرك الحركة الأيمن مع لوحة الدائرة الكهربائية المعنوية (PCBA) مفكوك.	
	خلل في المحرك	تنبيه صوتي واحد	متوقف	417	محرك الحركة الأيمن يفشل في العمل.	



شاشة عرض LCD	الوصف	كود العطل على شاشة LCD	مؤشر حالة الجزارة	جهاز التنبيه الصوتي	السبب	الحل
انظر "كود الأعطال" لا يمكنه الدوران.	محرك الحركة الأيسر لا يمكنه الدوران.	413	متوقف	تنبيه صوتي واحد	خلل في لوحة الدائرة الكهربائية (PCBA)	يجب إصلاحها من قبل فني صيانة مؤهل.
		317	متوقف	تنبيه صوتي واحد	وصلة مفكوكة	
		301	متوقف	تنبيه صوتي واحد	وصلة مفكوكة	
		317	متوقف	تنبيه صوتي واحد	خلل في المحرك	

**ملاحظة:** إذا ظهر كود خلل على شاشة LCD، فقم بإزالة جميع مجموعات البطاريات وإعادة إدخالها بعد بضع دقائق. إذا لم يؤدي ذلك إلى حل المشكلة، فاتبع دليل أكواد الأعطال أدناه.

شاشة عرض LCD	الوصف	كود العطل على شاشة LCD	مؤشر حالة الجزازة	جهاز التنبيه الصوتي	السبب	الحل
	أيقونة مستشعر المقعد معروضة على شاشة LCD	غير متاح	متوقف	لا	يغادر المشغل مقعده أو يتم فصل نظام قفل أمان المقعد.	إذا كان مشغل الآلة جالسًا على المقعد والأيقونة مضاءة، أوقف الجزازة عن التشغيل على الفور وافحص وصلة المقعد. إذا تأكدت أن وصلة المقعد بالجزازة صحيحة، يُرجى التواصل مع فني صيانة متخصص لإصلاحها.
	أيقونة مفتاح تعشيق طاقة المحرك (PTO) تومض	غير متاح	متوقف	لا	حدث اعتراض لتشغيل محرك الشفرة ولم يتم ضبط مفتاح تعشيق طاقة المحرك (PTO) على وضع الإيقاف.	قبل إعادة تشغيل الجزازة، اضغط على مفتاح تعشيق طاقة المحرك (PTO) لأسفل لإيقاف تشغيل محركات الشفرة. يُرجى مراجعة قسم "استكشاف الأعطال وإصلاحها" من هذا الدليل للتعرف على المعلومات.
	تومض أيقونة إعادة توليد الطاقة من حين لآخر.	غير متاح	متوقف	لا	يتم تحويل الطاقة الحركية المتولدة أثناء الفرملة أو القيادة على المنحدر إلى كهرباء لشحن مجموعات البطارية.	هذا من إجراءات التشغيل العادية. لست في حاجة لاتخاذ أي إجراءات.
	أيقونة مثبت السرعة CCS تومض	غير متاح	متوقف	لا	خلل في وظيفة نظام مثبت السرعة (CCS).	لا يمكن ضبط وظيفة مثبت السرعة CCS أثناء سير الجزازة بسرعة منخفضة جدًا أو عند سيرها للخلف.

الحل	السبب	جهاز التنبيه الصوتي	مؤشر حالة الجزازة	كود العطل على شاشة LCD	الوصف	شاشة عرض LCD
اضبط دواسة الفرملة على وضع الفرملة. سوف تنطفئ أيقونة الوقوف التلقائي، ويتوقف مؤشر التنبيه الصوتي عن إطلاق التنبيه.	يتم إيقاف الجزازة على المنحدر وينزل مشغل الآلة عن الجزازة بدون ضبط دواسة فرملة الوقوف على وضع الفرملة.	تنبيه صوتي متواصل	متوقف	غير متاح	تومض أيقونة الوقوف التلقائي على شاشة LCD.	(A)
حررها قبل بدء تشغيل الجزازة.	دواسة فرملة الوقوف مضبوطة على وضع الفرملة.	لا	متوقف	غير متاح	أيقونة دواسة الفرملة معروضة على شاشة LCD	(P)

شاشة عرض LCD	الوصف	كود العطل على شاشة LCD	مؤشر حالة الجزازة	جهاز التنبيه الصوتي	السبب	الحل
	أيقونة درجة الحرارة وحجيرة البطارية المشغولة بالفعل تومضان في نفس الوقت.	غير متاح	متوقف	لا	أدخل مجموعة البطارية في المكان المخصص لها. هناك ارتفاع زائد في درجة حرارة حجيرة بطارية مرقمة.	<p>1. يمكن للجزازة أن تواصل العمل إذا كان إجمالي التيار (أمبير-ساعة) للبطاريات، باستثناء البطارية الساخنة بشكل زائد عن الحد، متوافق مع المتطلبات. ما أن تعود درجة حرارة البطارية الساخنة بشكل زائد إلى درجة الحرارة الطبيعية، ستعود للمساهمة في توفير الطاقة للجزازة على الفور.</p> <p>2. إذا كان إجمالي التيار (أمبير-ساعة) للبطاريات المركبة غير كافٍ، لن تعمل الجزازة إلا بعد تركيب مجموعات بطارية في حجيرات البطارية الفارغة.</p> <p>3. قلل الحمل على الجزازة عن طريق رفع ارتفاع جز أرضية الجزازة أو إبطاء الجز عند متابعة التشغيل.</p>
	تومض أيقونات كل حجيرة بطارية مشغولة، ومؤشر انخفاض الطاقة، ومقياس الوقود كل ثانية في نفس الوقت على شاشة LCD. يومض مقياس الوقود الأول LED ومؤشر حالة الجزازة أيضاً.	غير متاح	يومض باللون الأحمر	تنبيه صوتي متواصل إلى أن يتم الضغط على مفتاح تشغيل طاقة المحرك (PTO) لأسفل.	الشحن منخفض في مجموعات البطارية والجزازة في وضع التشغيل الطارئ.	توقف عن العمل وعد إلى مكان لشحن البطارية. <b>ملاحظة:</b> عندما تكون الجزازة في وضع التشغيل الطارئ، يتم نقل الشفرات تلقائياً إلى وضع سرعة الدوران المنخفضة، وفي هذه الأثناء سيستمر مؤشر التنبيه الصوتي في إطلاق التنبيه. يجب على مشغل الآلة أن يضبط على مفتاح تشغيل طاقة المحرك (PTO) لأسفل لإيقاف تشغيل محركات الشفرة. سيتوقف المؤشر الصوتي عن إطلاق التنبيه بعد توقف الشفرات.
	تومض أيقونة كل حجيرة بطارية مشغولة ومؤشر انخفاض الطاقة كل نصف ثانية، وسوف يومض مقياس الوقود LED باللون الأحمر كل نصف ثانية أيضاً.	غير متاح	يومض باللون الأحمر	تنبيه صوتي متواصل	نقد شحن مجموعات البطارية تقريباً.	سنتوقف الجزازة عن العمل على الفور. يجب على مشغل الآلة نقل الجزازة إلى مكان شحن البطارية لشحنها.

الحل	السبب	جهاز التنبيه الصوتي	مؤشر حالة الجزازة	كود العطل على شاشة LCD	الوصف	شاشة عرض LCD
لست في حاجة لاتخاذ أي إجراءات. يمكن للجزازة أن تواصل العمل إذا كان إجمالي التيار (أمبير-ساعة) للبطاريات، باستثناء البطارية التي بها تيار زائد عن الحد، متوافق مع المتطلبات. بمجرد عودة البطارية ذات التيار الزائد إلى الوضع الطبيعي، ستشارك تلك البطارية في تشغيل الجزازة على الفور وستختفي الأيقونة.	هناك تيار زائد في بطارية معينة أثناء التفريغ.	لا	متوقف	غير متاح	أيقونة حجيرة بطارية معينة تومض.	
لبدء تشغيل هذه الجزازة، استخدم ما يكفي من بطاريات EGO باتتباع الإرشادات الواردة في قسم "تركيب/خلع مجموعة البطارية" من هذا الدليل.	سعة البطارية غير كافية للسماح بتشغيل الجزازة.	لا	متوقف	غير متاح	أيقونة حجيرة البطارية الفارغة تومض	
ارفع ارتفاع جز أرضية الجزازة أو قلل سرعة الحركة للحد من الحمل على الجزازة.	هناك حمل زائد على محرك الشفرة.					
قم بتنظيف أنبوب التفريغ الجانبي بعد كل استخدام.	هناك عشب و عوالق تعيق أنبوب التفريغ الجانبي.	تنبيه صوتي واحد	يومض باللون الأحمر	غير متاح	مؤشر الحمل الزائد يومض	
اتصل بمركز خدمة العملاء بشركة EGO	يوجد تداخل بين الشفرة وأرضية الجزازة.					
قلل الحمل على الجزازة عن طريق رفع ارتفاع جز أرضية الجزازة أو إبطاء سرعة الشفرة/ الحركة. نل قسطاً من الراحة واترك الجزازة تبرد.	الجزازة ساخنة بشكل زائد.					
يُرجى عدم تكرار المحاولات، فذلك قد يتسبب في تلف الآلة. احرص دائماً على تخزين الجزازة والبطاريات في بيئة دافئة. أعد تشغيل الجزازة بعد أن تدمأ.	الجزازة باردة للغاية.	تنبيه صوتي واحد	متوقف	غير متاح	أيقونة درجة الحرارة تومض.	

## مرجع حالة الجازاة وكود الأعطال

شاشة عرض LCD	الوصف	كود العطل على شاشة LCD	مؤشر حالة الجازاة	جهاز التنبيه الصوتي	السبب	الحل
	أيقونة كشافات LED معروضة على شاشة LCD.	غير متاح	متوقف	لا	يتم تشغيل الكشافات الأمامية، والكشافات الجانبية، والكشافات الخلفية من خلال مفتاح كشافات LED.	هذا من إجراءات التشغيل العادية. لست في حاجة لاتخاذ أي إجراءات.
	أيقونة USB معروضة على شاشة LCD.	غير متاح	متوقف	لا	تضيء أيقونة USB في إشارة إلى أن جهاز USB يمكنه العمل بعد بدء تشغيل الجازاة بشكل صحيح.	هذا من إجراءات التشغيل العادية. لست في حاجة لاتخاذ أي إجراءات.
	أيقونة مقياس الوقود معروضة على شاشة LCD.	غير متاح	متوقف	لا	يشير إلى متوسط سعة الشحن الخاصة بالبطاريات المركبة	هذا من إجراءات التشغيل العادية. لست في حاجة لاتخاذ أي إجراءات.
	أيقونة عداد ساعات العمل معروضة على شاشة LCD.	غير متاح	متوقف	لا	يعرض إجمالي وقت قيادة الجازاة بالساعات، ولا يمكن إعادة تعيينه.	هذا من إجراءات التشغيل العادية. لست في حاجة لاتخاذ أي إجراءات.
	أيقونة مؤشر الحمل تعرض أنها في النطاق الاقتصادي "ECO".	غير متاح	متوقف	لا	يشير إلى حمل تيار الجازاة.	هذا من إجراءات التشغيل العادية. لست في حاجة لاتخاذ أي إجراءات.
	أيقونة السير للخلف (Reverse) معروضة على شاشة LCD.	غير متاح	متوقف	لا	يشير إلى أن الجازاة تسير للخلف.	هذا من إجراءات التشغيل العادية. لست في حاجة لاتخاذ أي إجراءات.
	أيقونة مفتاح الأمان تومض.	غير متاح	متوقف	لا	مفتاح الأمان غير مُدخل.	أدخل مفتاح الأمان، ثم اضغط مع التثبيت على زر التشغيل/الإيقاف لتشغيل الجازاة.
					تجميع صندوق لوحة التحكم الرئيسية معطوبة.	يجب إصلاحها من قبل فني صيانة مؤهل.

المشكلة	السبب	الحل
هناك صوت غير عادي يصدر عند دفع الجازة يدويًا بدون بدء تشغيلها.	<ul style="list-style-type: none"> <li>الصوت صادر عن المغناطيس الموجود داخل محرك الدفع.</li> </ul>	<ul style="list-style-type: none"> <li>هذا طبيعي ولست في حاجة لاتخاذ أي إجراءات.</li> </ul>
لا يمكن تدوير عجلة القيادة.	<ul style="list-style-type: none"> <li>مجموعة عجلة القيادة مسدودة بالعوالق.</li> </ul>	<ul style="list-style-type: none"> <li>افحص ما إذا كانت هناك عوالق، وقم بإزالتها.</li> </ul>
الجازة لا تتعطف لليسر/ لليمين عند تدوير عجلة القيادة.	<ul style="list-style-type: none"> <li>هناك خلل في المكونات الإلكترونية أو الميكانيكية.</li> </ul>	<ul style="list-style-type: none"> <li>تواصل مع مركز خدمة العملاء بشركة EGO طلبًا لأعمال الصيانة.</li> </ul>
تعجز الجازة عن التوقف بعد تحرير دواسة الوقود.	<ul style="list-style-type: none"> <li>تم الضغط على زر مثبت السرعة CCS بدون قصد أثناء القيادة. الجازة في وضع مثبت السرعة</li> </ul>	<ul style="list-style-type: none"> <li>افحص ما إذا كانت هناك عوالق، وقم بإزالتها.</li> </ul>
لا يمكن تفعيل وظيفة مثبت السرعة CCS أو إيقاف تشغيلها.	<ul style="list-style-type: none"> <li>لم يتم الضغط على زر مثبت السرعة CCS بشكل صحيح.</li> </ul>	<ul style="list-style-type: none"> <li>تحقق مما إذا كانت أيقونة مثبت السرعة CCS مضاءة على شاشة LCD، وقم بإنهاء وظيفة CCS عند الضرورة. راجع فصل "استخدام مثبت السرعة (CCS)"</li> </ul>
تعجز الجازة عن الحركة للخلف بعد سحب الدواسة اليسرى/اليمنى ناحية المشغل.	<ul style="list-style-type: none"> <li>مؤشر حالة الجازة غير مضاء باللون الأخضر والجازة غير جاهزة للقيادة.</li> </ul>	<ul style="list-style-type: none"> <li>اضغط على زر مثبت السرعة CCS إلى أن تضيء أيقونة مثبت السرعة على شاشة LCD أو تختفي منها.</li> </ul>
تعجز الجازة عن الحركة للخلف بعد سحب الدواسة اليسرى/اليمنى ناحية المشغل.	<ul style="list-style-type: none"> <li>لم يتم سحب الدواسة اليسرى/اليمنى ناحية المشغل بشكل صحيح.</li> </ul>	<ul style="list-style-type: none"> <li>اتبع قسم "بدء تشغيل الجازة" لجعل مؤشر حالة الجازة يظهر باللون الأخضر، وحينها تكون الجازة جاهزة للقيادة.</li> </ul>
تعجز الجازة عن الحركة للخلف بعد سحب الدواسة اليسرى/اليمنى ناحية المشغل.	<ul style="list-style-type: none"> <li>لم يتم إبقاء الدواسة اليسرى/اليمنى مسحوبة ناحية المشغل.</li> </ul>	<ul style="list-style-type: none"> <li>اسحب الدواسة اليسرى أو الدواسة اليمنى أو كليهما بشكل متزامن ناحية المشغل إلى أن تسمع صوت "نقرة".</li> </ul>
تعجز الجازة عن الحركة للخلف بعد سحب الدواسة اليسرى/اليمنى ناحية المشغل.	<ul style="list-style-type: none"> <li>لم يتم إبقاء الدواسة اليسرى/اليمنى مسحوبة ناحية المشغل.</li> </ul>	<ul style="list-style-type: none"> <li>للقيادة للخلف، يجب إبقاء إحدى الدواستين على الأقل مسحوبة نحو المشغل.</li> </ul>
تعجز الجازة عن الحركة للخلف بعد سحب الدواسة اليسرى/اليمنى ناحية المشغل.	<ul style="list-style-type: none"> <li>الدواسة اليسرى/اليمنى معطوبة.</li> </ul>	<ul style="list-style-type: none"> <li>يُرجى التواصل مع فني صيانة متخصص للإصلاح.</li> </ul>

المشكلة	السبب	الحل
لا يمكن شحن الجرازة باستخدام منفذ الشحن مع إضاءة مؤشر حالة الجرازة باللون الأحمر الثابت.	■ لم يتم تركيب قابس الشاحن بشكل صحيح في منفذ الشحن الموجود في الجرازة.	■ أعد توصيل قابس الشاحن لترى ما إذا كان بمقدورك شحن الجرازة بشكل طبيعي.
	■ لا توجد طاقة في مقابس الحائط.	■ لست في حاجة لاتخاذ أي إجراءات. انتظر حتى استعادة الطاقة.
	■ هناك عطل في الشاحن.	■ تواصل مع قسم خدمة العملاء بشركة EGO لإجراء عملية الفحص وإصلاح الشاحن عند اللزوم.
	■ منفذ الشاحن في الجرازة معطوب.	■ اتصل بمركز خدمة العملاء بشركة EGO.
وقت الشحن عبر منفذ شحن الجرازة طويل للغاية.	■ استخدام مهائئ EGO للشاحن ACA1000 في عملية الشحن يطيل فترة الشحن.	■ استخدم شاحن EGO من الطراز CHV1600E في شحن الجرازة صفرية زاوية الدوران مباشرة.
لا يمكن شحن البطارية بالكامل من خلال منفذ شحن الجرازة.	■ هناك خطأ في البرنامج الثابت للجرازة، أو هنا عطل في البطارية أو الشاحن.	■ أعد تعيين الشاحن عن طريق فصل الشاحن والانتظار لمدة تزيد عن عدة دقائق. وبعد ذلك، أعد توصيل القابس بمصدر الطاقة. إذا لم يُفَلح ذلك في حل المشكلة، يُرجى التواصل مع مركز خدمة العملاء بشركة EGO.
لا يمكن بدء تشغيل الجرازة بعد تنظيفها.	■ التنظيف غير الملائم، مثل دخول الماء إلى المكونات الكهربائية أو شاشة LCD أو ما شابه.	■ اتبع التعليمات الواردة في القسم "الصيانة العامة" لتنظيف الجرازة بشكل صحيح. ■ إذا ظلت الجرازة تحت المطر دون قصد، اتركها تجف في الهواء أو استخدم الهواء المضغوط في تجفيفها.
يحدث انسداد في أرضية الجرازة بسرعة.	■ لم يتم تنظيف أرضية الجرازة بشكل صحيح بعد الاستخدام السابق.	■ نظف أرضية الجرازة بعد كل استخدام، واتبع التعليمات الواردة في القسم "استخدام منفذ الغسل في تنظيف أرضية الجرازة".
الجرازة تفقد قدرتها على الجر أثناء صعود منحدر.	■ إطارات العجلات الخلفية منهالكة.	■ توجه إلى مركز الصيانة المحلي لاستبدال إطارات العجلات.
عند إيقاف الجرازة على منحدر والضغط على دواسة فرملة الوقوف، قد تنزلق الجرازة لأسفل على المنحدر.	■ تقوم بالجز على منحدر شاق.	■ لا ينبغي استخدام الجرازة للجز على المنحدرات التي تزيد درجة انحدارها عن الدرجة المطلوبة.
عند إيقاف الجرازة على منحدر والضغط على دواسة فرملة الوقوف، قد تنزلق الجرازة لأسفل على المنحدر.	■ مكونات الفرملة منهالكة بشكل زائد بسبب التشغيل غير الملائم للجرازة.	■ تواصل مع مركز خدمة العملاء بشركة EGO طلبًا لأعمال الصيانة.
لا يخرج أي ماء من منفذ الغسل عند محاولة غسل أرضية الجرازة.	■ لم يتم تركيب قارنات التوصيل السريع لمنفذ الغسل في مكانها الصحيح بمنفذ الغسل.	■ أعد تركيب قارنات التوصيل السريع لمنفذ الغسل إلى أن تسمع صوت نقرة بعد الضغط بقوة. إذا لم يعمل، تواصل مع قسم خدمة العملاء بشركة EGO.



المشكلة	السبب	الحل
هناك اهتزازات زائدة.	■ شفرات الجز مفكوكة.	■ اربط مسمار الشفرة بالعزم الموصى به.
	■ الشفرات منثنية.	■ استبدل شفرة الجز المثنية وفقاً للتعليمات الواردة في القسم "استبدال شفرات الجز".
	■ لم يتم ضبط مستوى أرضية الجزازة.	■ اضبط مستوى أرضية الجزازة وفقاً للتعليمات الواردة في القسم "ضبط مستوى أرضية الجزازة".
	■ صواميل أرضية الجزازة مفكوكة في وصلة نظام التعليق.	■ اربط الصواميل على وصلة نظام التعليق.
	■ تم ضبط الجزازة لجز كمية زائدة من العشب مرة واحدة.	■ ارفع ارتفاع الجز لأرضية الجزازة.
هناك عشب أو عوالق متبقية على الأرض بعد الجز.	■ تم ضبط الجزازة لجز كمية زائدة من العشب مرة واحدة عندما يكون العشب طويلاً.	■ ابدأ بارتفاع الجز العالي وقله إلى أن تصل إلى نتيجة الجز المرغوبة. يجب جز العشب الذي يزيد طوله عن 152 سم مرتين على ارتفاعات جز متناقصة تدريجياً.
	■ العشب رطب.	■ لا تقم بجز العشب وهو مبلل إلا بعد جفافه.
	■ سرعة الحركة عالية.	■ اخفض سرعة الحركة.
	■ سرعة الشفرة منخفضة.	■ قم بزيادة سرعة الشفرة تدريجياً.
وقت تشغيل الجزازة صار قصيراً مع البطارية المثبتة بها.	■ ستؤثر تضاريس العشب، وحالات العشب، وأوضاع ضبط ارتفاع الجز، وسرعة الحركة، وسرعة الشفرة، وما إلى ذلك بشكل كبير على وقت التشغيل.	■ ارفع ارتفاع جز أرضية الجزازة وخفض سرعة الشفرة للحد من حمل الجز.
الجزازة لا تتحرك في خط مستقيم.	■ ضغط الإطارات للعجلات الخلفية اليسرى واليمنى مختلف.	■ راجع ضغط الهواء واضبطه في إطارات العجلات الخلفية وفقاً للتعليمات الواردة في القسم "المواصفات".
	■ سرعة الحركة للعجلات الخلفية اليسرى واليمنى مختلفة.	■ قم بمعايرة عجلة القيادة وفقاً للتعليمات الواردة في القسم "معايرة نظام تتبع الجزازة".
لا يمكن تحرير دواسه فرملة الوقوف من وضع الفرملة، أو أنها ترتد للخلف ببطء.	■ قد تكون هناك عوالق أو أتربة داخل دواسه فرملة الوقوف.	■ افتح صندوق دواسه فرملة الوقوف لتنظيفه من الداخل جيداً، ثم أغلقه. أعد تعيين دواسه فرملة الوقوف لترى ما إذا كانت المشكلة قد تم حلها أم لا. إن لم يمكن تشغيلها، يُرجى التواصل مع فني صيانة متخصص لإصلاحها.

المشكلة	السبب	الحل
تظل مؤشرات البطارية مشغلة حتى بعد إيقاف تشغيل الجارزة.	<ul style="list-style-type: none"> <li>عند إيقاف تشغيل الجارزة على أرضية بدون إزالة مجموعة (مجموعات) البطارية من الجارزة، ستظل مؤشرات البطارية و زر التشغيل/الإيقاف و زر مثبت السرعة CCS مضاءة لبعض الوقت.</li> </ul>	<ul style="list-style-type: none"> <li>لست في حاجة لاتخاذ أي إجراءات. تنطفئ مؤشرات البطارية عندما تتوقف الجارزة عن العمل بعد فترة من الوقت. راجع قسم "إيقاف تشغيل الجارزة" لوقت محدد.</li> </ul>
تتوقف شاشة LCD عن الإضاءة مع ظهور جميع الأيقونات.	<ul style="list-style-type: none"> <li>عند إيقاف تشغيل الجارزة على منحدر بدون ضبط دواسرة فرملة الوقوف على وضع الفرملة، ستظل مؤشرات البطارية مضاءة إلى أن يتم استهلاك شحن البطارية. يستمر المؤشر الصوتي في إطلاق التنبيه في نفس الوقت.</li> </ul>	<ul style="list-style-type: none"> <li>اضبط دواسرة فرملة الوقوف على وضع الفرملة قبل ترك الجارزة على المنحدر.</li> </ul>
تتوقف شاشة LCD عن الإضاءة مع ظهور جميع الأيقونات.	<ul style="list-style-type: none"> <li>تم الضغط على زر التشغيل/الإيقاف لفترة كافية.</li> </ul>	<ul style="list-style-type: none"> <li>سوف تقوم شاشة LCD بعرض "مقياس الوقود" فقط عند الضغط على زر التشغيل/الإيقاف لوهلة قصيرة.</li> <li>ستعمل شاشة LCD بعد الضغط على زر التشغيل/الإيقاف لوقت كافٍ.</li> </ul>
الجارزة تجز العشب بشكل غير متساوٍ، مع فارق ارتفاع واضح بين الأمام والخلف.	<ul style="list-style-type: none"> <li>الشفرات غير حادة.</li> </ul>	<ul style="list-style-type: none"> <li>اشد شفرة الجز أو استبدلها على النحو الموضح في هذا الدليل.</li> </ul>
الارتفاع الفعلي لجز العشب غير متوافق مع الارتفاع المطلوب.	<ul style="list-style-type: none"> <li>الشفرات منتهية.</li> </ul>	<ul style="list-style-type: none"> <li>استبدل شفرة الجز المثنية وفقاً للتعليمات الواردة في القسم "استبدال شفرات الجز".</li> </ul>
الارتفاع الفعلي لجز العشب غير متوافق مع الارتفاع المطلوب.	<ul style="list-style-type: none"> <li>لم يتم ضبط مستوى أرضية الجارزة، وهو ما أدى إلى اختلاف ارتفاع شفرة الجز.</li> </ul>	<ul style="list-style-type: none"> <li>اضبط مستوى أرضية الجارزة وفقاً للتعليمات الواردة في القسم "ضبط مستوى أرضية الجارزة".</li> </ul>
الارتفاع الفعلي لجز العشب غير متوافق مع الارتفاع المطلوب.	<ul style="list-style-type: none"> <li>صواميل أرضية الجارزة مفكوكة في وصلة نظام التعليق</li> </ul>	<ul style="list-style-type: none"> <li>اتبع التعليمات الواردة في قسم "ضبط مستوى أرضية الجارزة" لتنفيذ عملية الضبط من الأمام للخلف لأرضية الجارزة بشكل صحيح، واربط الصواميل في وصلة نظام التعليق بإحكام.</li> </ul>
الارتفاع الفعلي لجز العشب غير متوافق مع الارتفاع المطلوب.	<ul style="list-style-type: none"> <li>أرضية الجارزة تالفة أو متهالكة بشكل خطير.</li> </ul>	<ul style="list-style-type: none"> <li>اتبع التعليمات في القسم "إزالة أرضية الجارزة" لاستبدال أرضية الجارزة.</li> </ul>
لا تقوم الجارزة بتوزيع العشب المجزوز على الأرض بشكل صحيح.	<ul style="list-style-type: none"> <li>هناك قصاصات عشب رطب عالقة على الجانب السفلي لأرضية الجارزة.</li> </ul>	<ul style="list-style-type: none"> <li>انتظر حتى جفاف الحشائش قبل جزها.</li> </ul>
الارتفاع الفعلي لجز العشب غير متوافق مع الارتفاع المطلوب.	<ul style="list-style-type: none"> <li>تم ضبط الجارزة لجز كمية زائدة من العشب مرة واحدة.</li> </ul>	<ul style="list-style-type: none"> <li>ارفع ارتفاع الجز لأرضية الجارزة.</li> </ul>

المشكلة	السبب	الحل
	■ هناك حمل زائد على الجازاة.	■ ارفع ارتفاع جز أرضية الجازاة أو اخفض سرعة الحركة للحد من التحميل على الجازاة.
	■ هناك عشب وعوالق تعيق حركة أرضية الجازاة.	■ نظف أرضية الجازاة، وتأكد من أن الشفرات تتحرك بحرية.
	■ الجازاة ساخنة بشكل زائد.	■ قلل الحمل على الجازاة عن طريق رفع ارتفاع جز أرضية الجازاة أو خفض سرعة الشفرة/الحركة وترك الجازاة تبرد.
	■ هناك حرارة زائدة في مجموعات البطارية الموجودة في حجيرة البطارية بالجازاة، وهو ما يؤدي إلى عدم توافق التيار (أمبير في الساعة) للبطاريات المركبة مع المتطلبات.	1. يمكن للجازاة أن تواصل العمل إذا كان إجمالي التيار (أمبير-ساعة) للبطاريات، باستثناء البطارية الساخنة بشكل زائد عن الحد، متوافق مع المتطلبات. ما أن تعود درجة حرارة البطارية الساخنة بشكل زائد إلى درجة الحرارة الطبيعية، ستعود للمساهمة في توفير الطاقة للجازاة على الفور. 2. إذا كان إجمالي التيار (أمبير-ساعة) للبطارية المركبة غير متوافق مع المتطلبات، لن تعمل الجازاة إلا بعد تركيب مجموعات بطارية في حجيرات البطارية الفارغة. 3. قلل الحمل على الجازاة عن طريق رفع ارتفاع جز أرضية الجازاة أو إبطاء الجز عند متابعة التشغيل.
	■ الجازاة في وضع التشغيل الطارئ.	■ عندما تكون الجازاة في وضع التشغيل الطارئ، يتم نقل الشفرات تلقائيًا إلى وضع سرعة الدوران المنخفضة. يجب على مشغل الآلة التوقف عن العمل والانتقال إلى مكان لشحن البطارية في أقرب وقت ممكن.
	■ ارتطمت الجازاة بجسم غريب، وهو ما أدى إلى تفعيل وظيفة الحماية الذاتية للمحرك.	■ ادفع مفتاح تعشيق طاقة المحرك (PTO) لأسفل، ثم لأعلى لإعادة محركات الشفرة.
	■ يتم ضبط سرعة الجازاة على وضع السرعة "TRAVEL" (السفر).	■ عندما تكون سرعة الجازاة مضبوطة على وضع السرعة "TRAVEL" (السفر)، ستتوقف محركات الشفرة تلقائيًا.
	■ الجازاة في وضع التشغيل الطارئ، ولم يتم إيقاف تشغيل الشفرات.	■ اضغط على مفتاح تعشيق طاقة المحرك (PTO) لأسفل لإيقاف تشغيل محركات الشفرة. سيتوقف مؤشر التنبيه الصوتي عن إطلاق التنبيه عند إيقاف تشغيل محركات الشفرة.
يستمر المؤشر الصوتي في إطلاق التنبيه.	■ تتوقف الجازاة عن الحركة على المنحدر وينزل مشغل الآلة عن المقعد بدون ضبط دواسرة فرملة الوقوف على وضع الفرملة قبل ترك الجازاة على المنحدر.	■ اضبط دواسرة فرملة الوقوف على وضع الفرملة قبل ترك الجازاة على المنحدر.

المشكلة	السبب	الحل
<p>لا يمكن للجزازة صفيرية زاوية الدوران بدء تشغيل الشفرات بعد تفعيل مفتاح تشغيل طاقة المحرك (PTO).</p>  <p>أيقونة مفتاح تشغيل طاقة المحرك (PTO) تومض</p>	<ul style="list-style-type: none"> <li>إجمالي التيار (أمبير-ساعة) للبطاريات المركبة غير متوافق مع المتطلبات.</li> </ul>	<ul style="list-style-type: none"> <li>لبدء تشغيل هذه الجزازة، استخدم ما يكفي من بطاريات EGO باتباع الإرشادات الواردة في قسم "تركيب/خلع مجموعة البطارية" من هذا الدليل.</li> </ul>
	<ul style="list-style-type: none"> <li>لم يتم الضغط على مفتاح تشغيل طاقة المحرك (PTO) لأسفل عند إيقاف تشغيل الجزازة في آخر مرة.</li> </ul>	<ul style="list-style-type: none"> <li>ادفع مفتاح تشغيل طاقة المحرك (PTO) لأسفل، ثم لأعلى لإعادة محركات الشفرة.</li> </ul>
	<ul style="list-style-type: none"> <li>هناك حمل زائد على الجزازة عند بدء دوران الشفرات، وهو ما يؤدي إلى تفعيل خاصية الحماية الذاتية للمحرك.</li> </ul>	<ul style="list-style-type: none"> <li>ابدأ جز العشب بالجزازة بسرعة منخفضة للشفرة أولاً، ولا تقم بزيادة تسارع الشفرة إلا بعد دوران الشفرات بنجاح.</li> </ul>
	<ul style="list-style-type: none"> <li>في ظروف الطقس القاسية، قد لا يمكن بدء تشغيل محرك الشفرة بنجاح بسبب وظيفة الحماية ضد درجة الحرارة المنخفضة.</li> </ul>	<ul style="list-style-type: none"> <li>احرص دائماً على تخزين الجزازة والبطارية في بيئة دافئة. أعد تشغيل الجزازة بعد أن تدفأ. يُرجى عدم تكرار المحاولات في ظل ظروف الطقس القاسية، فذلك قد يتسبب في تلف الآلة.</li> </ul>
	<ul style="list-style-type: none"> <li>هناك تداخل بين الشفرة وأرضية الجزازة المشوهة.</li> </ul>	<ul style="list-style-type: none"> <li>اتصل بمركز خدمة العملاء بشركة EGO.</li> </ul>
	<ul style="list-style-type: none"> <li>الجزازة تسير على وضع السرعة "TRAVEL" (السفر).</li> </ul>	<ul style="list-style-type: none"> <li>عندما تسير الجزازة على وضع السرعة "TRAVEL" (السفر)، ستتوقف محركات الشفرة تلقائياً.</li> </ul>

المشكلة	السبب	الحل
الجزازة صفرية زاوية الدوران تتوقف عن الحركة.	<ul style="list-style-type: none"> <li>الدواسة اليسرى/اليمنى تحتاج إلى "إعادة تعيين".</li> </ul>	<ul style="list-style-type: none"> <li>اسحب الدواسات اليسرى/اليمنى ناحية المشغل، ثم حررهم. عندما يضيء مؤشر الحالة باللون الأخضر، فهذا يعني أن الجزازة جاهزة للحركة.</li> </ul>
	<ul style="list-style-type: none"> <li>هناك خلل في المكونات الإلكترونية لدواسة الوقود.</li> </ul>	<ul style="list-style-type: none"> <li>يُرجى التواصل مع فني صيانة متخصص للإصلاح.</li> </ul>
	<ul style="list-style-type: none"> <li>تم فصل نظام قفل أمان المقعد أثناء القيادة على أرض وعرة.</li> </ul>	<ul style="list-style-type: none"> <li>اخلع البطارية من الجزازة وفكك المقعد باتباع الترتيب العكسي للتعليمات الواردة في القسم "تركيب المقعد" من هذا الدليل للتأكد من أن قابس الكابل متصل كما ينبغي بالمقبس في أدنى المقعد. أعد تجميع المقعد واتبع التعليمات الواردة في القسم "بدء تشغيل الجزازة" لإعادة تشغيل الجزازة لتتري ما إذا كان بالإمكان بدء تشغيلها. إن لم يمكن تشغيلها، يُرجى التواصل مع فني صيانة متخصص لإصلاحها.</li> </ul>
	<ul style="list-style-type: none"> <li>وزن مشغل الآلة غير موزع بالتساوي على المقعد. يجب ألا يقل وزن المشغل الجالس على المقعد عن 20 كجم حتى يعمل نظام قفل أمان المقعد بشكل صحيح.</li> </ul>	<ul style="list-style-type: none"> <li>اجلس على المقعد بشكل صحيح، واسحب الدواسة اليسرى/اليمنى أو كليهما تجاه المشغل ثم حررهما، وحينها تكون الجزازة جاهزة للقيادة.</li> </ul>
	<ul style="list-style-type: none"> <li>تم الضغط لأسفل على دواسة فرملة الوقوف لإبطاء سرعة الحركة. بمجرد الضغط على دواسة فرامل الإيقاف بشكل كافٍ ولكن ليس إلى وضع الإيقاف، ستتوقف الجزازة عن الحركة.</li> </ul>	<ul style="list-style-type: none"> <li>افصل البطارية وأعد تركيبها مرة أخرى إذا لزم الأمر.</li> </ul>
	<ul style="list-style-type: none"> <li>لا يمكن ضبط وضع القيادة أثناء الحركة.</li> </ul>	<ul style="list-style-type: none"> <li>هذه خاصية في الجزازة صفرية زاوية الدوران للقيادة بشكل آمن.</li> </ul>

## استكشاف الأعطال وإصلاحها

المشكلة	السبب	الحل
	<ul style="list-style-type: none"> <li>إجمالي التيار (أمبير-ساعة) للبطاريات المركبة غير متوافق مع المتطلبات.</li> </ul>	<ul style="list-style-type: none"> <li>لبدء تشغيل هذه الجرافة، استخدم ما يكفي من بطاريات EGO باتتباع الإرشادات الواردة في قسم "تركيب/خلع مجموعة البطارية" من هذا الدليل.</li> </ul>
	<ul style="list-style-type: none"> <li>دواسة فرملة الوقوف مضبوطة على وضع الفرملة.</li> </ul>	<ul style="list-style-type: none"> <li>اضغط حتى النهاية على دواسة فرملة الوقوف لتحريرها من وضع الفرملة.</li> </ul>
	<ul style="list-style-type: none"> <li>لم يتم سحب الدواستين اليمنى واليسرى قليلاً تجاه المشغل لجعل مؤشر حالة الجرافة يضيء باللون الأخضر عند بدء تشغيل الجرافة.</li> </ul>	<ul style="list-style-type: none"> <li>اسحب كلاً من الدواستين اليسرى واليمنى ناحية المشغل بشكل متزامن، ثم حررهما. سيضيء مؤشر حالة الجرافة باللون الأخضر، مما يعني أن الجرافة جاهزة لبدء التشغيل.</li> </ul>
	<ul style="list-style-type: none"> <li>مشغل الآلة غير جالس على المقعد.</li> </ul>	<ul style="list-style-type: none"> <li>لا يمكن تشغيل الجرافة إلا بعد جلوس مشغل الآلة بشكل صحيح على المقعد.</li> </ul>
لا تعمل الجرافة صفيرية زاوية الدوران عند الضغط على دواسة الوقود.	<ul style="list-style-type: none"> <li>مفتاح المقعد غير موصل بشكل صحيح.</li> </ul>	<ul style="list-style-type: none"> <li>اخلع البطارية من الجرافة وفكك المقعد باتتباع الترتيب العكسي للتعليمات الواردة في القسم "تركيب المقعد" من هذا الدليل للتأكد من أن قابس الكابل متصل كما ينبغي بالمقبس في أدنى المقعد. أعد تجميع المقعد واتبع التعليمات الواردة في القسم "بدء تشغيل الجرافة" لإعادة تشغيل الجرافة لترى ما إذا كان بالإمكان بدء تشغيلها. إن لم يمكن تشغيلها، يُرجى التواصل مع فني صيانة متخصص لإصلاحها.</li> </ul>
	<ul style="list-style-type: none"> <li>في ظروف الطقس القاسية، قد لا يمكن بدء تشغيل وظيفة القيادة بنجاح بسبب وظيفة الحماية ضد درجة الحرارة المنخفضة.</li> </ul>	<ul style="list-style-type: none"> <li>احرص دائماً على تخزين الجرافة والبطارية في بيئة دافئة. أعد تشغيل الجرافة بعد أن تطفأ. يُرجى عدم تكرار المحاولات في ظل ظروف الطقس القاسية، فذلك قد يتسبب في تلف الآلة.</li> </ul>
	<ul style="list-style-type: none"> <li>مسار حركة دواسة الوقود مسدود بالعوالق.</li> </ul>	<ul style="list-style-type: none"> <li>افحص ما إذا كانت هناك عوالق، وقم بإزالتها.</li> </ul>
	<ul style="list-style-type: none"> <li>هناك خلل في المكونات الميكانيكية أو الإلكترونية لدواسة الوقود.</li> </ul>	<ul style="list-style-type: none"> <li>يُرجى التواصل مع فني صيانة متخصص للإصلاح.</li> </ul>

عجلة القيادة في كل وضع قيادة بشكل مستقل، بحسب الحاجة.

## إعادة تعيين الجازة إلى أوضاع ضبط المصنع الأولية (الشكل 1)

ملاحظة: سيقوم مؤشر التنبيه الصوتي بإطلاق الصوت مرة واحدة عند بدء إعادة التعيين وعند اكتمالها.

ملاحظة: عند نجاح إعادة الضبط، ستعود الإعدادات أدناه إلى أوضاع ضبط المصنع الأولية:

- وضع القيادة
- سرعة الحركة
- معايرة عجلة القيادة

## التخزين والنقل

### نقل الجازة (الشكل J1 – الشكل J5)

ملاحظة: عند اللزوم، قم بتثبيت الجازة باستخدام الأشرطة أو الكابلات لمنعها من الحركة أثناء النقل.

### التخزين (الشكل K1 – K2)

ملاحظة: اخلع مجموعات البطارية و خزنها وفقاً للتعليمات الواردة في الدلائل ذات الصلة.

نظف الجازة وافحصها قبل تخزينها وفقاً للتعليمات الواردة في الأقسام "تنظيف الجازة" و "جداول الصيانة الموصى بها".

### حماية البيئة

نفايات المعدات الكهربائية والإلكترونية (WEEE) لا تتخلص من المعدات الكهربائية أو البطارية المستهلكة أو الشاحن في النفايات المنزلية! بل توجه بهذا المنتج إلى مركز إعادة تدوير معتمد ليكون متاحاً للفرز بشكل منفرد. تجب إعادة الآلات الكهربائية إلى مرفق إعادة تدوير صديق للبيئة.



## الصيانة العامة

### تنظيف هيكل الجازة (الشكل F1 – الشكل F2) استخدام منفذ الغسل لتنظيف أرضية الجازة (الشكل F3 – الشكل F4)

F2-1	منفذ الغسل	F2-2	قارنة التوصيل السريع لمنفذ الغسل
F2-3	خرطوم الحديقة		

ملاحظة: عند الانتهاء من التنظيف، قم بإيقاف تشغيل الجازة تماماً، ثم قم بإزالة خرطوم الحديقة وقارنة التوصيل السريع.

### صيانة أرضية الجازة وشفرات الجز

#### التحضير (الشكل G1)

#### خلع أرضية الجازة (الشكل G2 – الشكل G3)

G2-1	كابل المحرك	G2-2	وصلة نظام التعليق
G2-3	تيلة مشقوقة		

ملاحظة: افصل جميع كابلات المحرك والتيل المشقوق عند خلع أرضية الجازة.

#### استبدال شفرات الجز (الشكل G4 – الشكل G6)

G4-1	قضيب الموازنة	G5-1	مسمار ملولب
G5-2	وردة	G5-3	شفرة
G5-4	شفة	G5-5	عمود المحرك

#### ضبط مستوى أرضية الجازة

#### a. أثناء ضبط المستوى (الشكل G7 – الشكل G9)

#### b. قبل ضبط المستوى

- مراجعة ضغط الإطار وهو بارد (الشكل G10)
- افحص شفرات الجز. اخلع الشفرات المتهاكلة أو المشققة أو المننتية، واستبدلها عند اللزوم.

#### c. التحضير لضبط المستوى (الشكل G11)

#### d. كيفية ضبط المستوى

- لتنفيذ الضبط من جانب إلى آخر (الشكل G12)
- لتنفيذ الضبط من الأمام إلى الخلف (الشكل G13)

#### معايرة نظام تتبع الجازة (الشكل H1 – الشكل H2)

ملاحظة: سيقوم مؤشر التنبيه الصوتي بإطلاق الصوت مرة واحدة عند بدء المعايرة وعند اكتمالها.

ملاحظة: قد لا تكون المعايرة المكتملة لأحد أوضاع القيادة

("CONTROL") (التحكم)، "STANDARD" (قياسي)،

"SPORT" (رياضي)) متاحة للوضعين الآخرين. قم بمعايرة

جدول الصيانة والخدمة	إجراءات الصيانة
قبل كل استخدام أو يومياً	<ul style="list-style-type: none"> <li>افحص نظام قفل الأمان.</li> <li>تحقق بنظرك مما إذا كانت الإطارات منفوخة أم لا.</li> <li>افحص الشفرات.</li> <li>افحص المنتج بأكمله بحثاً عن الأجزاء التالفة أو المفقودة أو المفكوكة، مثل أنبوب التفريغ الجانبي أو المسامير أو الصواميل أو البراغي أو الأغطية أو ما شابههم، مع التأكد من تركيب جميع الوافقيات في مكانها وعملها كما ينبغي.</li> <li>تحقق وتأكد من إمكانية الضغط على دواسة الوقود وتحريرها كما ينبغي.</li> <li>افحص ماص صدمات عجلة القيادة. يجب تدوير عجلة القيادة بمقاومة معينة.</li> </ul>
بعد كل استخدام	<ul style="list-style-type: none"> <li>نظف أرضية الجزارة.</li> </ul>
كل 25 ساعة	<ul style="list-style-type: none"> <li>افحص ضغط هواء الإطارات.</li> </ul>
كل 100 ساعة	<ul style="list-style-type: none"> <li>افحص العجلات الخلفية، مع التأكد من ربط جميع صواميل العجلة بالعزم الموصى به.</li> </ul>
كل 200 ساعة	<ul style="list-style-type: none"> <li>افحص العجلات الأمامية، مع التأكد من دورانها بحرية.</li> </ul>
قبل التخزين	<ul style="list-style-type: none"> <li>اخلع البطاريات من الجزارة.</li> <li>اخلع مفتاح الأمان من الجزارة.</li> <li>نفذ جميع إجراءات الصيانة المذكورة أعلاه، ونظف الجزارة جيداً.</li> <li>افحص المنتج بالكامل بحثاً عن الأجزاء التالفة أو المفقودة أو المفكوكة، واستبدل تلك الأجزاء أو اربطها قبل التخزين.</li> </ul>
سنوياً	<ul style="list-style-type: none"> <li>افحص دواسة فرملة الوقوف. اخلع البطارية من الجزارة، واضبط دواسة فرملة الوقوف على وضع الفرملة. ادفع الجزارة للأمام باليد لترى ما إذا كانت الجزارة تتحرك أم لا. فإذا كانت تتحرك، يجب فحصها من قبل فني صيانة مؤهل.</li> </ul>

القصوى. احرص دائماً على النظر لأسفل وخلفك قبل الرجوع للخلف وأثنائه للتأكد من عدم دخول أطفال أو مراقبين أو حيوانات أليفة إلى منطقة الجزر. ولا تنس أن الاستهتار لجزء من الثانية كافٍ للتسبب في حدوث الوفاة أو الإصابات الخطيرة.

**⚠ تحذير:** لا تقم بتشغيل هذه الآلة على الطرق العامة.

**⚠ تحذير:** إذا حدث انسداد أو ارتطمت بجسم غريب، قم بإيقاف المحرك واخلع البطاريات. تخلص من قصاصات العشب وأوراق الشجر والأوساخ وأي عوالق أخرى متراكمة؛ وافحص الجزارة بعناية بحثاً عن أي علامات للتلف وأصلحه قبل إعادة تشغيل الجزارة.

### استخدام مثبت السرعة (CCS)

**لتفعيل مثبت السرعة CCS أثناء القيادة (الشكل E22)**

**ملاحظة:** قد لا يمثل مستوى سرعة الحركة المعروض على شاشة LCD سرعة الحركة الفعلية للجزارة بدقة في نظام مثبت السرعة. اضغط على أحد أزرار ضبط السرعة ("←" أو "→") "للتحديث" وضبط مستوى سرعة الحركة على شاشة LCD.

**للخروج من وضع مثبت السرعة CCS وإيقاف الجزارة، يمكنك اختيار إحدى الطرق الأربع:**

- اضغط قليلاً على دواسة الوقود، ثم حررها.
- اسحب الدواسة اليسرى/اليمنى ناحية المشغل، ثم حررها.
- اضغط لأسفل على دواسة فرملة الوقوف.
- اضغط على زر مثبت السرعة CCS.

**ملاحظة:** اضغط على دواسة الوقود حتى النهاية للوصول إلى سرعة القيادة الحالية لمتبث السرعة CCS، وواصل الضغط لأسفل. ستتوقف وظيفة مثبت السرعة CCS، وتواصل الجزارة الحركة عند السرعة الحالية.

## الصيانة

**⚠ تحذير:** ارتد بشكل دائم أدوات حماية العينين المزودة بواقيات على الجانبين. قد ينجم عن عدم الامتثال لذلك دخول أشياء في عينيك، وهو ما قد يؤدي إلى وقوع إصابات خطيرة.

**⚠ تحذير:** احرص دائماً على حماية يديك عن طريق ارتداء قفازات قوية أو تغليف الحواف القاطعة بقطعة قماش أو مواد أخرى ملائمة عند إجراء أي أعمال صيانة على شفرة الجزارة. احرص دائماً على خلع مفتاح الأمان ومجموعات البطارية عند إجراء أعمال الصيانة على الجزارة أو نقلها.



## منفذ USB

**ملاحظة:** يقدم منفذ USB طاقة شحن بقدر 5 فولت تيار مستمر عند توصيل أجهزة استهلاك يصل استهلاكها مجتمعة إلى 1.5 أمبير، ولن يعمل المنفذ إلا بعد بدء تشغيل الجارزة.

## إيقاف تشغيل الجارزة (الشكل E20)

**ملاحظة:** بعد مرور أكثر من 60 دقائق دون تشغيل، سيتم إطفاء الجارزة تلقائيًا.

## وضع التشغيل الطارئ

عندما يصبح شحن البطارية منخفضًا للغاية، ستنتقل الجارزة إلى وضع التشغيل الطارئ للحفاظ على قدر كافٍ من الطاقة للعودة إلى مكان الشحن.

- تتحول الشفرات إلى سرعة دوران منخفضة، والتي يمكن أن تجز كمية قليلة جدًا من العشب. عند مواجهة عشب طويل وكثيف، ستتوقف الشفرات عن الدوران. سوف يقوم مؤشر الصوت بإطلاق صوت (صوت تنبيه "بيب") بشكل متقطع.
- سيومض مؤشر حالة الجارزة باللون الأحمر كل ثانية، وسيومض كلاً من مؤشر انخفاض الطاقة والشكل البياني للبطارية في مقياس الوقود.

يجب على مشغل الآلة:

- اضغط على مفتاح تشغيل طاقة المحرك (PTO) لأسفل لإيقاف تشغيل محركات الشفرة. سيتوقف مؤشر التنبيه الصوتي عن إطلاق التنبيه عند توقف محركات الشفرة.
- توقف عن العمل واذهب إلى مكان شحن البطارية في أقرب وقت ممكن. أقصى مسافة يمكن للجارزة قطعها 1000 متر.

عند اقتراب نفاد شحن البطارية، ستومض أيقونة كل حجيرة من حجيرات البطارية المشغولة ومؤشر انخفاض الطاقة كل نصف ثانية. ستتوقف الجارزة عن العمل على الفور. يجب على مشغل الآلة نقل الجارزة إلى مكان الشحن لشحنها.

**ملاحظة:** إذا احتجت إلى دفع الآلة يدويًا، احرص على فصل البطاريات من الجارزة وتحرير دواسه فرملة الوقوف من وضع الفرملة.

## قيادة الجارزة (الشكل E21)

**⚠️ خطر:** ابق على مسافة لا تقل عن ضعف عرض الجز عن أي خنادق أو منحدرات أو مياه. يمكن للعجلات الأمامية أن تدور عند توقف الجارزة، حتى بعد الضغط على الفرملة، مما قد يتسبب في تجاوز الجارزة لحافة أو السقوط في الماء، وهو ما قد يتسبب في التعرض للوفاة أو الإصابة الشخصية الخطيرة.

**⚠️ تحذير:** كن حذرًا مما هو موجود خلف الجارزة أثناء الرجوع للخلف. لا تقم بالجز بشكل عكسي إلا في حالات الضرورة.

- تحقق من مستوى شحن البطارية.
- افحص نظام قفل الأمان.

## بدء تشغيل الجارزة (الشكل E15 – الشكل E16)

**⚠️ تحذير:** تجنب عمليات بدء التشغيل والتوقف والدوران بشكل مفاجئ، وكذا السرعة الزائدة، خاصة عند تعلم تشغيل الجارزة للمرة الأولى. يمكن للجارزة أن تدور حول نفسها بسرعة، وهو ما قد يتسبب في فقد السيطرة والتعرض لإصابات خطيرة و/أو حدوث تلف.

**⚠️ تحذير:** قبل بدء تشغيل الجارزة، افحص الشفرات وتأكد من إلغاء تعشيقها خلال 5 ثوان عند الضغط على مفتاح تعشيق طاقة المحرك (PTO) لأسفل. إذا لم تتوقف الشفرات، لا تستخدم الجارزة واتصل بمركز خدمة عملاء EGO على الفور.

**ملاحظة:** اتبع الشكل E17 والشكل E18 للوصول إلى أقل سرعة للحركة والانتقال إلى وضع القيادة STANDARD (القياسي) إلى أن تصبح ماهرًا في تشغيل الجارزة في جميع الحالات.

ستحفظ الجارزة الضبط السابق لوضع القيادة وسرعة الحركة ومعايرة عجلة القيادة وتطبيقه عند إعادة تشغيلها.

## ضبط وضع الحركة (الشكل E17)

- التحكم:** تسارع أقل، واستجابة أقل حساسية، وسرعة دوران معتدلة لحماية العشب، وهذا الوضع مناسب للمستخدمين الجدد.

- STANDARD (القياسي):** مثالي للاستخدام اليومي.

- SPORT (الرياضي):** تسارع أعلى، واستجابة دقيقة، ودوران حاد لزيادة فعالية الجز، وهذا الوضع مناسب

لمحترفي الجز.

**ملاحظة:** لا يمكن ضبط وضع القيادة أثناء الحركة. لن يمكن تفعيل الوظيفة إلا بعد توقف عجلات الجارزة تمامًا.

## ضبط سرعة الحركة (الشكل E18)

**ملاحظة:** عندما تكون في وضع "TURBO" (تربو)، اضغط على "–"، وحينها ستعود سرعة الحركة إلى الوضع السابق.

## ضبط سرعة الشفرة (الشكل E19)

### أضواء LED

- يتم التحكم في الكشافات الأمامية، والكشافات الجانبية، والكشافات الخلفية من خلال مفتاح كشافات LED.
- تظل كشافات الحركة مضاءة بشكل دائم أثناء القيادة.
- عند الرجوع للخلف، إذا كانت الكشافات الخلفية مطفأة، فحينها ستومض من أجل تحذير المرافقين؛ أما إذا كانت الكشافات الخلفية مضاءة، فإنها ستظل مشغلة.
- سيتم إيقاف تشغيل جميع المصابيح تلقائيًا عند توقف الجارزة عن التشغيل تلقائيًا بعد مرور فترة بدون تشغيل.

## تركيب سداة توزيع العشب المجزوز على الأرض (الشكل C7)

C7-1	أنبوب التفريغ الجانبي	C7-2	سداة توزيع العشب المجزوز على الأرض
C7-3	زنبرك قابل للتحرّك		

## الضبط

### قبل الضبط (الشكل D1)

### ضبط ارتفاع أرضية الجز (الشكل D2)

### ضبط عجلات منع الاحتكاك بالأرض

### (الشكل D3 – الشكل D6)

D3-1	عجلة منع الاحتكاك بالأرض	D5-1	صامولة
D5-2	مسمار ملولب	D6-1	ملصق ارتفاع أرضية الجزارة

### ضبط المقعد (الشكل D7)

D7-1	رافعة تعديل موضع المقعد	D7-2	بكرة ضبط نظام تعليق المقعد
------	-------------------------	------	----------------------------

### ضبط عجلة القيادة (الشكل D8)

D8-1	مسمار القفل	D8-2	قضيب
D8-3	كتلة التثبيت	D8-4	فتحة

## التشغيل

### قبل التشغيل (الشكل E1)

### ضبط فرملة الوقوف (الشكل E2)

E2-1	وضع تحرير الفرملة	E2-2	وضع الفرملة
------	-------------------	------	-------------

**ملاحظة:** لا تضغط مطلقاً على دواسة فرامل الإيقاف لإبطاء السرعة. بمجرد الضغط على دواسة فرامل الإيقاف بشكل كافٍ ولكن ليس إلى وضع الإيقاف الكامل، ستتوقف الجزارة عن الحركة على سطح مستوٍ، ولكن إذا حدث ذلك على منحدر، فقد تنزلق الجزارة على المنحدر.

## تركيب/خلع مجموعة البطارية (الشكل E3 – الشكل E6)

لبدء تشغيل هذه الجزارة، يجب تركيب بطاريات EGO بإجمالي 15 أمبير في الساعة (2 × بطارية BA4200T/BA4200) أو أكثر. لتحقيق أفضل أداء، نوصي باستخدام بطاريات EGO بإجمالي 30 أمبير في الساعة أو أكثر.

E3-1	زر تحرير الغطاء	E5-1	زر تحرير البطارية
------	-----------------	------	-------------------

### شحن الجزارة

لا تستخدم أي مجموعات بطارية أو شواحن غير تلك الموصى بها.

- اشحن مجموعة (مجموعات) البطارية بشكل منفصل

### (الشكل E7)

**ملاحظة:** راجع كتيبات البطارية والشاحن ذات الصلة للحصول على إرشادات تفصيلية.

- اشحن مجموعة (مجموعات) البطارية عبر منفذ الشحن (الشكل E8 - الشكل E10)

E10-1	غطاء الأتربة	E10-2	منفذ الشحن
-------	--------------	-------	------------

### اختبار نظام قفل الأمان

a. لاختبار نظام شفرة أرضية الجزارة

### (الشكل E11 – الشكل E12)

b. لاختبار نظام الحركة (الشكل E13 – الشكل E14)

إذا لم يتم نظام شفرة أرضية الجزارة و/أو نظام الحركة بالتوقف عند نزول مشغل الآلة عن المقعد، وإذا لم يمكن تحديد السبب بعد التأكد من توصيل قابس المقعد ومقبسه كما ينبغي، فاتصل بمركز خدمة عملاء EGO على الفور.

### قائمة المتطلبات قبل التشغيل

- تأكد من خلو منطقة العمل من الأطفال والمرافقين والحيوانات الأليفة.
- تخلص من أي أشياء قد تتطاير بفعل شفرات الجزارة من منطقة العمل.
- نظف الجزارة من أي عوالق.
- افحص بحثاً عن أي عناصر تثبيت مفكوكة.
- افحص للتأكد من أن جميع الواقيات في أماكنها وتعمل بشكل صحيح.
- تحقق بنظرك مما إذا كانت الإطارات منفوخة أم لا.
- افحص أداء الفرملة.
- اضبط ارتفاع الأرضية على وضع الجز المطلوب المناسب للعشب، واضبط عجلات منع الاحتكاك بالأرض وفقاً لذلك.
- اضبط موضع المقعد، وتأكد من سهولة الوصول إلى كلتا الدواستين.
- اضبط عجلة القيادة على الوضع المطلوب، إذا لزم الأمر.

المقعد	B-2	جزازة صفرية زاوية الدوران بظهر للركوب	B-1
مسامير برأس الأنكيه (2 احتياطيًا)	B-4	سدادة توزيع العشب المجزوز على الأرض	B-3
مفتاح الأنكيه	B-6	مفتاح ربط سداسي (الأنكيه)	B-5
مفاتيح الأمان	B-8	مفاتيح بلدي (مفتوح الطرف)	B-7
كتيبات التشغيل	B-10	قارئة التوصيل السريع لمنفذ الغسل	B-9

## التجميع

### تركيب المقعد (الشكل C1 – الشكل C4)

**⚠ تحذير:** لا يجب بأي حال من الأحوال فصل نظام قفل الأمان أو تجاوزه. لأن فعل ذلك قد يؤدي إلى تشغيل الجزازة بشكل غير متوقع، وهو ما قد يتسبب في وقوع إصابات شخصية.

**ملاحظة:** لسلامتك، قد تتوقف الجزازة عن الحركة بسبب فصل مفتاح المقعد أثناء الحركة. في هذه الحالة، يُرجى مراجعة قسم "استكشاف الأعطال وإصلاحها" للتعرف على المزيد من المعلومات.

قابس	C1-2	مقبس	C1-1
ذراع المقعد	C2-1	كابل	C1-3
مفتاح ربط سداسي (الأنكيه)	C2-3	قاعدة نظام التعليق	C2-2
رافعة تعديل موضع المقعد	C2-5	مسامير برأس الأنكيه	C2-4
مفتاح ربط سداسي (الأنكيه)	C3-2	قضبان من الصلب	C3-1
خطاف	C4-1	مسامير برأس الأنكيه	C3-3

### تركيب عجلة القيادة (الشكل C5 – الشكل C6)

قضيب	C5-2	مسمار القفل	C5-1
فتحة	C6-2	كتلة التثبيت	C6-1
		واقي عجلة القيادة	C6-3

## التعرف على شاشة LCD (الشكل A2)

راجع القسم "مرجع حالة الجزازة وكود الأعطال" للتعرف على المزيد من المعلومات الخاصة بالأيقونات والمؤشرات الموجودة على شاشة LCD.

1. أيقونة الحركة للخلف
2. أيقونة وضع مثبت السرعة CCS
3. أيقونة مفتاح الأمان
4. أيقونة كشافات LED
5. أيقونة الوقوف التلقائي
6. أيقونة USB
7. مؤشر سرعة الشفرة
8. مؤشر حالة جهاز الأمان
9. عداد ساعات العمل
10. أيقونة حجيرة البطارية الشاغرة
11. أيقونة درجة الحرارة
12. أيقونة حجيرة البطارية المشغولة
13. وضع القيادة
14. مؤشر كود الخلل
15. مؤشر الحمل الزائد
16. مؤشر انخفاض الطاقة
17. مقياس الوقود
18. مؤشر الحمل
19. مؤشر سرعة الحركة

## فك التغليف

**ملاحظة:** احتفظ بمكونات التغليف حتى الانتهاء من فحص المنتج بعناية والتأكد من تشغيله كما ينبغي. إذا وجدت أن أي جزء من الأجزاء المدرجة في قائمة المحتويات قد تم تجميعه بالفعل في الآلة، يجب عليك التواصل على الفور مع خدمة عملاء EGO.

**ملاحظة:** باستثناء الأدوات المدرجة في قائمة المحتويات أدناه، فإن جميع الأدوات الأخرى المذكورة في الدلائل موصى بها فقط وغير مرفقة مع المنتج.

**ملاحظة:** لا تقم بإزالة الكتلة الإسفنجية الموجودة أسفل عجلة القيادة قبل تثبيت عجلة القيادة بشكل صحيح. فقد يؤدي الاهتزاز أثناء الحركة إلى تلف عجلة القيادة.

### قائمة المحتويات (الشكل B)

8. منفذ الغسل
9. أرضية الجزارة
10. واقى أرضية الجزارة
11. عجلة منع الاحتكاك بالأرض
12. العجلة الأمامية
13. دواسة فرملة الوقوف
14. أضواء القيادة النهارية
15. كشافات أمامية LED
16. دواسة الوقود
17. مسند القدم
18. أنبوب التفريغ الجانبي
19. ذراع ضبط ارتفاع أرضية الجزارة
20. بكرة ضبط نظام تعليق المقعد
21. عجلة القيادة
22. صندوق الجانب الأيمن
23. رافعة تعديل موضع المقعد
24. مفتاح تعشيق طاقة المحرك
25. زر البدء/الإيقاف
26. مفتاح الأمان
27. فتحة تخزين الهاتف
28. حوامل الأكواب
29. الدواسة اليسرى
30. مؤشر حالة الجزارة
31. شاشة LCD
32. الدواسة اليمنى
33. زر ضبط سرعة الشفرة
34. زر مثبت السرعة CCS
35. زر وضع الحركة
36. مفتاح كشافات LED
37. زر ضبط سرعة الحركة
38. زر تحرير غطاء وحدة الطاقة
39. غطاء وحدة الطاقة
40. وحدة الطاقة مع 6 حجيرات للبطارية
41. زر تحرير البطارية
42. وصلة الجر
43. غطاء تثبيت الملحق
44. منفذ USB

الاهتزاز $a_h$	اليدين	1,221 م/ثانية <sup>2</sup> 1,5=K م/ثانية <sup>2</sup>
	الجسم	0,568 م/ثانية <sup>2</sup> 1,5=K م/ثانية <sup>2</sup>

- القيمة الكلية للاهتزاز الموضحة تم قياسها وفقاً لطريقة اختبار قياسية وقد تستخدم لمقارنة أداة بأخرى؛
- كما يمكن استخدام القيمة الكلية للاهتزاز الموضحة في التقييم التمهيدي للتعرض.

**ملاحظة:** قد تختلف انبعاثات الاهتزاز أثناء الاستخدام الفعلي للألة العاملة بالطاقة عن القيمة المعلنة التي يتم استخدام الألة فيها؛ ولحماية مشغل الألة، ينبغي على المستخدم ارتداء قفازات وواقيات للأذن في ظروف الاستخدام الفعلية.

## الملحقات الموصى بها

**⚠ تحذير:** استخدم فقط قطع الغيار الأصلية المدرجة أدناه. لأن استخدام قطع غيار لا تتوافق مع مواصفات المعدات الأصلية قد يؤدي إلى الأداء غير السليم والتأثير بالسلب على الأمان.

اسم القطعة	رقم الطراز
الشفرة العادية	AB4200
الشفرة ذات الارتفاع العالي	AB4201
سدادة توزيع العشب المجزور على الأرض	AMP4200
طقم حقيبة العشب	ABK4200-A
المصد الخلفي	AMB1000
صندوق النقل	AMG1000
مظلة الشمس	AMS1000

## الوصف

### تعرف على الجزارة (الشكل A1)

1. المقعد
2. منفذ الشحن
3. وحدة الطاقة
4. الضوء الخلفي LED
5. صندوق التخزين
6. الضوء الجانبي LED
7. العجلة الخلفية (عجلة الحركة)

هذا المنتج متوافق مع تشريعات المملكة المتحدة المعمول بها.

لفة في الدقيقة	RPM
أمتار	m
سنتيمترات	cm
مليمترات	mm
كيلوجرام	kg
درجة حماية الدخول	IPX4

UK  
CA

تيار مستمر

kPa	كيلو باسكال
V	فولت
in	بوصة
Nm	نيوتن متر
°C	درجة مئوية
km/h	كيلومتر في الساعة

## رموز السلامة

توقف الإجراء المشار إليه



المعلومات الواجب الانتباه إليها



## المواصفات

الشاحن (اختياري)	CHV1600E
المهايئ (اختياري)	ACA1000
مدى درجة حرارة الشحن	5 - 40 درجة مئوية
ضبط ارتفاع الجز (10 أوضاع)	25 - 100 مم
درجة حرارة التشغيل	0 - 40 درجة مئوية
درجة حرارة التخزين	-20 - 70 درجة مئوية
الوزن (بدون وحدة البطارية)	196 كجم
مستوى قوة الصوت المُقدَّر $L_{WA}$	96,44 ديسيبل (A) 0,68=K ديسيبل (A)
مستوى ضغط الصوت عند أذن مُشغل الآلة $L_{PA}$	84,3 ديسيبل (A) 3,0=K ديسيبل (A)
مستوى قوة الصوت المضمون $L_{WA}$ (تم قياسه وفقاً للمعيار 2000/14/EC)	100 ديسيبل (A)

الجهد الكهربائي	56 فولت	
حجم أرضية الآلة	107 سم	
حجم العجلة	الأمامي	- 101.6 × 279.4 127 مم
	الخلفي	- 241.3 × 457.2 203.2 مم
ضغط الإطار وهو بارد	الأمامي	222.1 كيلو باسكال
	الخلفي	110.3 كيلو باسكال
نصف قطر الدوران	0	
سرعة الشفرة (لفة في الدقيقة)	2400; 2600; 2800; 3000	
أقصى سرعة حركة	للأمام	4.8 كم/ساعة، 8.1 كم/ساعة، 9.7 كم/ساعة، 11.3 كم/ساعة (12.8 كم/ساعة في وضع السفر)
	للخلف	حتى 5.6 كم/ساعة

## اقرأ جميع التعليمات!

اقرأ دليل التشغيل



## رموز السلامة

الغرض من رموز السلامة هو جذب انتباهك إلى المخاطر المحتملة. رموز السلامة والشروح المصاحبة لها تستحق اهتمامك وفهمك الدقيق. تحذيرات كل رمز، بنفسها، لا تمنع وقوع أي خطر. التعليمات والتحذيرات التي تمنحك إياها لا تعد بديلاً عن تطبيق الإجراءات الملائمة لمنع وقوع الحوادث.

**⚠ تحذير:** احرص على قراءة وفهم جميع تعليمات السلامة في دليل التشغيل هذا، بما في ذلك جميع رموز تنبيهات السلامة، مثل "خطر"، وتحذير، وتنبيه قبل استخدام هذه الآلة. عدم اتباع جميع التعليمات الواردة أدناه قد يؤدي إلى حدوث صدمة كهربائية أو نشوب حريق أو التعرض للإصابة الشخصية، أحدها أو جميعها.

## معنى الرمز

هذه الصفحة تصف وتشرح رموز السلامة التي قد تظهر على هذا المنتج. اقرأ جميع التعليمات المذكورة على الآلة وافهمها واتبعها قبل محاولة تجميع الآلة وتشغيلها.

## رموز السلامة

اقرأ دليل التشغيل وافهمه		تنبيه سلامة	
حافظ على أجهزة الأمان		أدوات حماية العينين	
خطر - أبق المرافقين بعيداً عن نطاق عمل الشفرات		خطر - خطر منحدر شاهق	
انظر للخلف أثناء الرجوع للخلف		لا تحمل الأطفال مطلقاً	
خطر - أشياء متطايرة		تحذير - لا تستخدم هذا الجهاز على منحدرات يزيد ميلها عن 12 درجة	
مستوى قوة الصوت المضمون. وفقاً لتوجيه الاتحاد الأوروبي.		تحذير - أبق يديك وقدميك بعيداً	
لا يجب التخلص من الأجهزة الكهربائية المستهلكة في النفايات المنزلية. توجه بالجهاز إلى مركز إعادة تدوير معتمد.		لا تضع قدمك فوق هذا المكان	
تنبيه - لا تحملق في لمبة التشغيل		هذا المنتج متوافق مع توجيهات شهادة الجودة الأوروبية (EC) المعمول بها	

מסך DCL	תיאור	קוד תקלה במסך ה-DCL	אינדיקטור סטטוס עבור המכסה	צפצוף	סיבה	פתרון
ראו "קוד תקלה"	תקלה במסך LCD	/315 415	כבוי	צפצוף יחיד	מכלול ה-LCD שבור או חיבור חוט חשמל תקול במכלול ה-LCD.	בצעו תיקונים על ידי טכנאי שירות מוסמך.

## אחריות

### מדיניות האחריות של EGO

בקר באתר [egopowerplus.com](http://egopowerplus.com) כדי לעיין בתנאים וההתניות המלאים של מדיניות האחריות של EGO.

מסך DCL	תיאור	קוד תקלה במסך ה-DCL	אינדיקטור סטטוס עבור המכסחה	צפצוף	סיבה	פתרון
כבוי	תקלה ביציאת הטעינה	לא רלוונטי	אור אדום יציב	לא רלוונטי	יציאת הטעינה היא במעגל פתוח.	בצעו תיקונים על ידי טכנאי שירות מוסמך.
		לא רלוונטי	אור אדום יציב	לא רלוונטי	אין אספקת חשמל.	בדקו את שקע החשמל בקיר כדי לוודא שאספקת החשמל היא של 240V-220 ושהשקע תקין.
		לא רלוונטי	אור אדום יציב	לא רלוונטי	קצר בנתיך.	בצעו תיקונים על ידי טכנאי שירות מוסמך.
ראו „קוד תקלה”	תקלה ביציאת הטעינה	204	לא רלוונטי	צפצוף יחיד	יציאת הטעינה היא במעגל פתוח.	בצעו תיקונים על ידי טכנאי שירות מוסמך.
ראו „קוד תקלה”	מכלול תיבת הסוללה אינו מתפקד.	217	לא רלוונטי	צפצוף יחיד	מקור המתח ממכלול תיבת הסוללה שבור. פנסי הLED הקדמיים וה-USB לא יפעלו.	בצעו תיקונים על ידי טכנאי שירות מוסמך.
		/310 410	כבוי	צפצוף יחיד	החיבור בין חוטי חשמל Type C של מכלול מארז הסוללה וחוטי החשמל Type C של המכסחה אינם פועלים.	
		/201 /202 203	כבוי	צפצוף יחיד	ה-SMB של מכלול תיבת הסוללה שבור.	
ראו „קוד תקלה”	תקלה במתג ההפעלה/כיבוי	/314 414	כבוי	צפצוף יחיד	תקלה במתג PCBA או חיבור חוט חשמל תקול במתג ההפעלה/כיבוי.	בצעו תיקונים על ידי טכנאי שירות מוסמך.



מסך DCL	תיאור	קוד תקלה במסך ה-DCL	אינדיקטור סטטוס עבור המכסה	צפצוף	סיבה	פתרון
ראו "קוד תקלה"	כשל בסיבוב במנוע הלהב הימני	507	לא רלוונטי	צפצוף יחיד	תקלת PCBA	בצעו תיקונים על ידי טכנאי שירות מוסמך.
		609	לא רלוונטי	צפצוף יחיד	חיבור חלש	בדקו תחילה את הלהב. אם הוא משוחרר, הדק את הבריח עם מומנט מומלץ. אחרת, בצעו תיקונים בעזרת טכנאי המוסמך לכך.
ראו "קוד תקלה"	כשל במנוע הלהב הימני	609	לא רלוונטי	צפצוף יחיד	תקלת מנוע	
		/311 411	כבוי	צפצוף יחיד	תקלת PCBA	בצעו תיקונים על ידי טכנאי שירות מוסמך.
ראו "קוד תקלה"	כשל בהגה	/307 407	כבוי	צפצוף יחיד	חיבור חלש	
		/312 412	כבוי	צפצוף יחיד	תקלת PCBA חיבור חלש	בצעו תיקונים על ידי טכנאי שירות מוסמך.
ראו "קוד תקלה"	כשל בבלם החניה, לא ניתן להסיע את המכסה.	/309 409	כבוי	צפצוף יחיד	תקלת PCBA	בצעו תיקונים על ידי טכנאי שירות מוסמך.
		801	כבוי	צפצוף יחיד	תקלת חוט חשמל/ מתג	

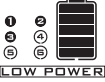
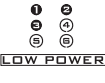


מסך DCL	תיאור	קוד תקלה במסך DCL-ה	אינדיקטור סטטוס עבור המכסה	צפצוף	סיבה	פתרון
ראו "קוד תקלה"	כשל בסיבוב במנוע הנהיגה הימני.	313	כבוי	צפצוף יחיד	תקלת PCBA	בצעו תיקונים על ידי טכנאי שירות מוסמך.
		417	כבוי	צפצוף יחיד	חיבור חלש	
		401	כבוי	צפצוף יחיד	חיבור חלש	
		417	כבוי	צפצוף יחיד	תקלת מנוע	
ראו "קוד תקלה"	כשל בסיבוב במנוע הלהב השמאלי	607	לא רלוונטי	צפצוף יחיד	תקלת PCBA	בצעו תיקונים על ידי טכנאי שירות מוסמך.
		509	לא רלוונטי	צפצוף יחיד	חיבור חלש	
ראו "קוד תקלה"	כשל בסיבוב במנוע הלהב השמאלי	509	לא רלוונטי	צפצוף יחיד	חיבור חלש	בדקו תחילה את הלהב. אם הוא משוחרר, הדק את הבריאח עם מומנט מומלץ. אחרת, בצעו תיקונים בעזרת טכנאי המוסמך לכך.
		509	לא רלוונטי	צפצוף יחיד	תקלת מנוע	

HE

מסך DCL	תיאור	קוד תקלה במסך ה-DCL	אינדיקטור סטטוס עבור המכסה	צפצוף	סיבה	פתרון
ראו "קוד תקלה"	כשל בסיבוב במנוע הנהיגה השמאלי.	413	כבוי	צפצוף יחיד	תקלת ABCP	בצעו תיקונים על ידי טכנאי שירות מוסמך.
		317	כבוי	צפצוף יחיד	חיבור חלש	
		301	כבוי	צפצוף יחיד	חיבור חלש	
		317	כבוי	צפצוף יחיד	תקלת מנוע	

**הערה:** אם מופיע קוד תקלה על מסך ה-DCL, הסר את כל ערכות הסוללות והכנס אותן מחדש כעבור מספר דקות. אם זה לא פותר את הבעיה, עקוב אחר פתרון הבעיות בקוד התקלה שלהלן.

מסך DCL	תיאור	קוד תקלה במסך ה-DCL	אינדיקטור סטטוס עבור המכסחה	צפצוף	סיבה	פתרון
	סמל חיישן המושב מוצג על מסך ה-LCD	לא רלוונטי	כבוי	לא	המפעיל עוזב את המושב או שמערכת אינטרלוק הבטיחות של המושב מנותקת.	אם כאשר המפעיל יושב על המושב, הסמל מופעל, הפסיקו להפעיל את המכסחה מיד ובדקו את חיבור המושב עם המכסחה תקין, פנו לטכנאי שירות מוסמך לביצוע תיקונים.
	סמל מתג ה-PTO מהבהב	לא רלוונטי	כבוי	לא	מנוע הלהב הופסק בהפעלה ומתג ה-PTO אינו מוגדר במצב כבוי.	לפני הפעלה מחדש של המכסחה, לחצו על מתג ה-PTO כלפי מטה כדי לנתק את מנועי הלהבים. עיינו בסעיף „ <b>איתור וטיפול בבעיות</b> ” במדריך זה לצורך הפניה.
	סמל התחדשות האנרגיה מהבהב מדי פעם.	לא רלוונטי	כבוי	לא	הכוח הקינטי המופעל במהלך הבלימה או הנהיגה במורד מומר לחשמל כדי לטעון את מארזי הסוללה.	זו היא פעולה תקינה. לא נדרשת פעולה.
	סמל CCS מהבהב	לא רלוונטי	כבוי	לא	פונקציית CCS (מערכת בקרת שיוט) נכשלה.	לא ניתן היה להגדיר את פונקציית ה-CCS כאשר המכסחה נוסעת במהירות נמוכה מאוד או נוסעת לאחור.

מסך LCD	תיאור	קוד תקלה במסך LCD-ה	אינדיקטור סטטוס עבור המכסה	צפצוף	סיבה	פתרון
	הסמלים של כל תא סוללה מלא, מחווני סוללה חלשה, ומד הדלק מהבהבים מדי שניה 1, בו זמנית, על מסך ה-LCD. המקטע הראשון של לד מד הדלק ומחונן המצב מהבהב גם כן.	לא רלוונטי	מהבהב באדום	ממשיך לצפצף עד שמתג ה-PTO נלחץ מטה.	רמת טעינת מארזי הסוללה חלשה והמכסה נמצאת במצב „צליעה הביתה”.	הפסיקו לעבוד וחזרו אל אזור טעינת הסוללה. <b>הערה:</b> כאשר המכסה נמצאת במצב „צליעה הביתה”, הלהבים מועברים אוטומטית למהירות סיבוב נמוכה ובינתיים מחווני השמע ימשיכו לצפצף. על המפעיל ללחוץ על מתג ה-PTO כלפי מטה כדי לנתק את מנועי הלהבים. מחונן השמע יפסיק לצפצף לאחר שהלהבים יעצרו.
	כאשר הסוללה כמעט ריקה, הסמל של כל תא סוללה מלא ומחונן הסוללה החלשה יהבהבו מידי חצי שניה.	לא רלוונטי	מהבהב באדום	ממשיך לצפצף	קיבולת מארזי הסוללה כמעט ריקה.	המכסה תפסיק לעבוד מיד. המפעיל צריך להעביר את המכסה לאזור טעינת הסוללה לצורך טעינתה.
	סמל החניה האוטומטית מהבהב על מסך ה-LCD.	לא רלוונטי	כבוי	ממשיך לצפצף	המכסה חונה על מדרון והמפעיל עוזב את המכסה מבלי להעביר את דוושת בלם החניה למצב הבלימה.	הגדירו את דוושת החניה למצב חניה. סמל החניה האוטומטית יהיה כבוי ומחונן השמע יפסיק לצפצף.
	סמל דוושת הבלם מוצג על מסך ה-LCD	לא רלוונטי	כבוי	לא	דוושת בלם החניה מוגדרת למצב חניה.	שחררו אותו לפני ההפעלה של המכסה.

מסך LCD	תיאור	קוד תקלה במסך LCD-ה	אינדיקטור סטטוס עבור המכסה	צפצוף	סיבה	פתרון
	סמל הטמפרטורה מהבהב.	לא רלוונטי	כבוי	צפצוף יחיד	ישנו חימום יתר במכסה.	הפחיתו את העומס על המכסה, על ידי הרמת גובה החיתוך של המשטח או האטו את מהירות הלהב/הנסיעה. קחו הפסקה ואפשרו למכסה להתקרר.
					המכסה קרה מדי.	אל תעשו נסיונות חוזרים שעשויים לפגוע במכונה. אחסנו תמיד את המכסה והסוללות בסביבה חמימה. הפעילו מחדש את מכסת הדשא כאשר היא התחממה.
	סמל התחממות היתר ותא הסוללה המלא הספציפי מהבהבים בזמנית.	לא רלוונטי	כבוי	לא	מארז הסוללות בהתאמה. תא הסוללה הממוספר מחומם יתר על המידה.	1. המכסה אינה יכולה להמשיך לפעול אם דירוג ה-A הכולל של הסוללה, לא כולל הסוללה שהתחממה מדי, עומד בדרישה. לאחר שהסוללה שהתחממה יתר על המידה חוזרת לטמפרטורה רגילה, היא תצטרף מיד להפעלת המכסה.
					2. אם דירוג ה-Ah המשולב אינו מספיק, המכסה לא תפעל עד להכנסת מארזי סוללה נוספים לתוך תאי הסוללה הריקים.	3. הפחיתו את העומס על המכסה, על ידי הרמת גובה החיתוך של המשטח או האטת הכיסוח כאשר אתם מפעילים אותה מחדש.

HE

מסך LCD	תיאור	קוד תקלה במסך LCD-ה	אינדיקטור סטטוס עבור המכסחה	צפצוף	סיבה	פתרון
	הסמל של תא סוללה מסוים מהבהב.	לא רלוונטי	כבוי	לא	סוללה מסוימת במהלך הפריקה נמצאת בחריגת זרם.	לא נדרשת פעולה. המכסחה אינה יכולה להמשיך לפעול אם דירוג ה-Ah הכולל של הסוללה, לא כולל הסוללה בעלת זרם יתר, עומד בדרישה. ברגע שהסוללה עם זרם-העל תחזור לקדמותה, היא תצטרף להפעלת המכסחה באופן מיידי והסמל ייעלם.
	הסמל של תא הסוללה הריק מהבהב	לא רלוונטי	כבוי	לא	קיבולת הסוללה אינה מספקת כדי לאפשר את פעולת המכסחה.	כדי להפעיל מכסחה זו, השתמש במספיק סוללות EGO בהתאם להוראות בסעיף "הצמדה/הסרה של מארז הסוללה" במדריך זה.
					ישנו עומס יתר על מנוע הלהב.	הגדילו את גובה החיתוך של המשטח או האטו את מהירות הנסיעה כדי להפחית את העומס של המכסחה.
	מחווני עומס היתר מהבהב	לא רלוונטי	מהבהב באדום	צפצוף יחיד	צינור הפליטה הצדדי סתום בעשב ובפסולת.	נקו את צינור הפליטה הצדדי לאחר כל שימוש.
					יש הפרעה בין הלהב למשטח המכסחה.	צרו קשר עם מרכז שירות הלקוחות של EGO

## קוד התקלה וההפניה של סטטוס המכסחה.

מסך LCD	תיאור	קוד תקלה במסך LCD-ה	אינדיקטור סטטוס עבור המכסחה	צפוף	סיבה	פתרון
	סמל פנסי הLED מוצג על מסך ה-LCD.	לא רלוונטי	כבוי	לא	הפנסים הקדמיים, פנסי הצד והפנסים האחוריים מופעלים על ידי מתג פנסי הLED.	זו היא פעולה תקינה. לא נדרשת פעולה.
	סמל BSU מופיע על מסך ה-LCD.	לא רלוונטי	כבוי	לא	סמל ה-USB מאיר ומציין שהתקן ה-USB יכול לפעול לאחר שהמכסחה מופעלת כראוי.	זו היא פעולה תקינה. לא נדרשת פעולה.
	סמל מד הדלק מוצג על מסך ה-LCD.	לא רלוונטי	כבוי	לא	הוא מציין את קיבולת הטעינה הממוצעת של הסוללות המוכנסות.	זו היא פעולה תקינה. לא נדרשת פעולה.
	סמל מד השעות מוצג על מסך ה-LCD.	לא רלוונטי	כבוי	לא	הוא מציג את זמן הנהיגה הכולל של המכסחה, בשעות, ולא ניתן לאפס אותו.	זו היא פעולה תקינה. לא נדרשת פעולה.
	סמל מחוון העומס מוצג בטווח ה-ECO.	לא רלוונטי	כבוי	לא	הוא מציין את העומס הנוכחי של המכסחה.	זו היא פעולה תקינה. לא נדרשת פעולה.
	סמל הפוך מופיע על מסך ה-LCD.	לא רלוונטי	כבוי	לא	הוא מציין שהמכסחה נוסעת לאחור.	זו היא פעולה תקינה. לא נדרשת פעולה.
	סמל מפתח הבטיחות מהבהב.	לא רלוונטי	כבוי	לא	מפתח הבטיחות אינו מוכנס.	הכנס את מקש הבטיחות ואז לחץ והחזק את לחצן ההפעלה/כיבוי כדי להפעיל את המכסחה.
					מכלול תיבת לוח הבקרה של המפתח שבור.	בצעו תיקונים על ידי טכנאי שירות מוסמך.



בעיה	סיבה	פתרון
המים לא יוצאים מיציאת השטיפה כאשר מנסים לשטוף את המשטח.	<ul style="list-style-type: none"> <li>המצמד המהיר של יציאת השטיפה אינו מורכב במקומו על יציאת השטיפה.</li> </ul>	<ul style="list-style-type: none"> <li>חברו מחדש את המצמד המהיר של יציאת השטיפה עד לשמיעת קליק ברור לאחר דחיפה חזקה. אם הוא אינו פועל התקשרו לשירות הלקוחות של EGO.</li> </ul>
צליל חריג נשמע בעת דחיפה ידנית של מכסחת הדשא מבלי להפעיל אותה.	<ul style="list-style-type: none"> <li>הצליל מגיע מהמגנטים בתוך מנוע הנסיעה.</li> </ul>	<ul style="list-style-type: none"> <li>זהו מצב נורמלי, לא נדרשת פעולה.</li> </ul>
לא ניתן לסובב את ההגה.	<ul style="list-style-type: none"> <li>מכלול ההגה סתום בפסולת.</li> </ul>	<ul style="list-style-type: none"> <li>בדקו והסירו את הפסולת.</li> </ul>
המכסחה אינה פונה שמאלה/ימינה כאשר ההגה מסובב.	<ul style="list-style-type: none"> <li>כשל של רכיבים אלקטרוניים או מכניים.</li> </ul>	<ul style="list-style-type: none"> <li>התקשרו למרכז שירות הלקוחות EGO לתיקון.</li> </ul>
המכסחה לא מצליחה לעצור בעת שחרור דוושת התאוצה.	<ul style="list-style-type: none"> <li>נתיב החזרה של דוושת המאיץ סתום בפסולת.</li> </ul>	<ul style="list-style-type: none"> <li>בדקו והסירו את הפסולת.</li> </ul>
לא ניתן להפעיל או לכבות את הפונקציה CCS.	<ul style="list-style-type: none"> <li>כפתור ה-CCS נלחץ שלא במתכוון בזמן נהיגה. המכסחה נמצאת במצב בקרת שיוט</li> </ul>	<ul style="list-style-type: none"> <li>בדקו אם סמל ה-CCS מואר במסך ה-LCD, וצאו ממצב SCC לפי הצורך. עיינו בפרק "שימוש בבקרת שיוט (CCS)"</li> </ul>
לא ניתן להפעיל או לכבות את הפונקציה CCS.	<ul style="list-style-type: none"> <li>לחצן CCS אינו נלחץ כראוי.</li> </ul>	<ul style="list-style-type: none"> <li>לחצו על לחצן ה-SC עד שסמל ה-CCS יואר במסך ה-LCD, או יעלם ממסך ה-DCL.</li> </ul>
המכסחה לא מצליחה לנסוע לאחור כאשר המשוט השמאלי/הימני נמשך לכיוון המפעיל.	<ul style="list-style-type: none"> <li>מחווני מצב המכסחה אינו מראה ירוק והמכסחה אינה מוכנה לנהיגה.</li> </ul>	<ul style="list-style-type: none"> <li>עקבו אחר הסעיף "הפעלת מכסחת הדשא" כדי להאיר את מחווני מצב המכסחה בירוק ומכסחת הדשא מוכנה לנסיעה.</li> </ul>
המכסחה לא מצליחה לנסוע לאחור כאשר המשוט השמאלי/הימני נמשך לכיוון המפעיל.	<ul style="list-style-type: none"> <li>ההנעה השמאלית/ימנית אינה נמשכת לכיוון המפעיל כראוי.</li> </ul>	<ul style="list-style-type: none"> <li>משכו את המשוט השמאלי או את המשוט הימני או את שני המשוטים בו זמנית לכיוון המפעיל עד להישמע ה"קליק".</li> </ul>
	<ul style="list-style-type: none"> <li>ההנעה השמאלית/ימנית אינה נשמרת לכיוון המפעיל.</li> </ul>	<ul style="list-style-type: none"> <li>כדי לנסוע לאחור, לפחות אחד מהמשוטים צריך להישאר משוך לכיוון המפעיל.</li> </ul>
	<ul style="list-style-type: none"> <li>ההנעה השמאלית/ימנית שבורה.</li> </ul>	<ul style="list-style-type: none"> <li>פנו לטכנאי שירות מוסמך לתיקון.</li> </ul>

בעיה	סיבה	פתרון
לא ניתן לטעון את המכסחה באמצעות יציאת הטעינה כשאינדיקטור סטטוס המכסחה זוהר באדום יציב.	<ul style="list-style-type: none"> <li>התקע של המטען אינו מוכנס כראוי לתוך יציאת הטעינה במכסחה.</li> </ul>	<ul style="list-style-type: none"> <li>חברו מחדש את תקע המטען כדי לראות אם ניתן להטעין את המכונה כרגיל.</li> </ul>
	<ul style="list-style-type: none"> <li>אין חשמל בשקע החשמל בקיר.</li> </ul>	<ul style="list-style-type: none"> <li>לא נדרשת פעולה. המתינו עד שהחשמל יחזור.</li> </ul>
	<ul style="list-style-type: none"> <li>תקלה במטען.</li> </ul>	<ul style="list-style-type: none"> <li>התקשרו למרכז שירות הלקוחות של EGO לבדיקה ותקנו את המטען לפי הצורך.</li> </ul>
	<ul style="list-style-type: none"> <li>יציאת המטען במכסחה פגומה.</li> </ul>	<ul style="list-style-type: none"> <li>צרו קשר עם מרכז שירות הלקוחות של EGO.</li> </ul>
זמן הטעינה באמצעות יציאת הטעינה של המכסחה ארוך מידי.	<ul style="list-style-type: none"> <li>שימוש במתאם EGO ACA1000 לצורך טעינה דורש זמן רב.</li> </ul>	<ul style="list-style-type: none"> <li>השתמשו במטען EGO CHV1600E לטעינה ישירה של המכסחה הרכובה Zero Turn (רדיוס סיבוב 0).</li> </ul>
לא ניתן לטעון את הסוללה במלואה באמצעות יציאת הטעינה של המכסחה.	<ul style="list-style-type: none"> <li>באג קושחה של מכסחת הדשא או הסוללה או כשל המטען.</li> </ul>	<ul style="list-style-type: none"> <li>אפסו את המטען על-ידי ניתוק המטען והמתנה של יותר מכמה דקות. לאחר מכן חבר מחדש את התקע לאספקת החשמל. אם פעולה זו אינה פותרת את הבעיה, התקשרו למרכז שירות הלקוחות EGO.</li> </ul>
לא ניתן להפעיל את המכסחה לאחר הניקוי.	<ul style="list-style-type: none"> <li>ניקוי לא תקין, כגון מים הנכנסים לרכיבי החשמל, למסך ה-DCL וכד'.</li> </ul>	<ul style="list-style-type: none"> <li>בצעו את ההוראות בסעיף "תחזוקה כללית" כדי לנקות את המכסחה כראוי.</li> </ul>
		<ul style="list-style-type: none"> <li>אם המכסחה נחשפה לגשם בטעות, אפשרו לה להתייבש באוויר הפתוח או השתמשו באוויר דחוס כדי לייבש אותה.</li> </ul>
משטח מכסחת הדשא נסתם במהירות.	<ul style="list-style-type: none"> <li>משטח המכסחה לא נוקה כראוי לאחר שימוש קודם.</li> </ul>	<ul style="list-style-type: none"> <li>נקו את משטח המכסחה לאחר כל שימוש, לפי הסעיף, "שימוש ביציאת השטיפה כדי לשטוף את משטח המכסחה".</li> </ul>
המכסחה מאבדת בקלות את כוח המשיכה כאשר היא מטפסת על מדרון.	<ul style="list-style-type: none"> <li>הצמיגים של הגלגלים האחוריים בלויים.</li> <li>כיסוח על מדרון תלול.</li> </ul>	<ul style="list-style-type: none"> <li>פנו לשירות המקומי כדי להחליף את צמיגי הגלגלים.</li> </ul>
		<ul style="list-style-type: none"> <li>אין להשתמש במכסחת הדשא לכיסוח מדרונות תלולים מאשר בדרגה הנדרשת.</li> </ul>
כאשר המכסחה עוצרת על מדרון כשדושת בלם החניה לחוצה, המכסחה יכולה להתגלגל מטה במדרון.	<ul style="list-style-type: none"> <li>רכיבי הבלימה בלויים בצורה משמעותית עקב הפעלה לא נאותה של המכסחה.</li> </ul>	<ul style="list-style-type: none"> <li>התקשרו למרכז שירות הלקוחות EGO לתיקון.</li> </ul>

בעיה	סיבה	פתרון
רטט מוגזם.	<ul style="list-style-type: none"> <li>להבי החיתוך משוחררים.</li> </ul>	<ul style="list-style-type: none"> <li>הדק את בורג הלהב לגובה המומנט המומלץ.</li> </ul>
	<ul style="list-style-type: none"> <li>הלהבים מעוקמים.</li> </ul>	<ul style="list-style-type: none"> <li>החליפו את להב החיתוך לפי ההוראות בסעיף „החלפת להבי החיתוך”.</li> </ul>
	<ul style="list-style-type: none"> <li>משטח המכסחה אינו מאוזן.</li> </ul>	<ul style="list-style-type: none"> <li>אזנו את משטח המכסחה לפי ההוראות בסעיף „איזון משטח המכסחה”.</li> </ul>
	<ul style="list-style-type: none"> <li>בריחי משטח המכסחה משוחררים בקישור ההשעיה.</li> </ul>	<ul style="list-style-type: none"> <li>הדק את האומים על גבי חיבור ההשעיה.</li> </ul>
	<ul style="list-style-type: none"> <li>המכסחה הוגדרה לחתוך כמות גדולה מדי של דשא בבת אחת.</li> </ul>	<ul style="list-style-type: none"> <li>הגביהו את גובה חיתוך המשטח.</li> </ul>
קיימות שאריות של דשא או פסולת על הקרקע לאחר הכיסוח.	<ul style="list-style-type: none"> <li>המכסחה הוגדרה לחתוך כמות גדולה מדי של דשא בבת אחת, כאשר הדשא גבוה.</li> </ul>	<ul style="list-style-type: none"> <li>התחילו בגובה חיתוך גבוה והפחיתו אותו עד להשגת תוצאות הכיסוח הרצויות. יש לכסח פעמיים דשא הגבוה מ-152 מ”מ, בגבהי חיתוך נמוכים יותר ויותר.</li> </ul>
	<ul style="list-style-type: none"> <li>הדשא רטוב.</li> </ul>	<ul style="list-style-type: none"> <li>אל תכסחו כאשר הדשא רטוב עד שהוא יתייבש.</li> </ul>
	<ul style="list-style-type: none"> <li>מהירות הנסיעה גבוהה.</li> </ul>	<ul style="list-style-type: none"> <li>הקטינו את מהירות הנסיעה.</li> </ul>
	<ul style="list-style-type: none"> <li>מהירות הלהב נמוכה.</li> </ul>	<ul style="list-style-type: none"> <li>הגבירו את מהירות הלהב באופן הדרגתי.</li> </ul>
זמן הפעלה קצר של המכסחה עם הסוללה המצורפת.	<ul style="list-style-type: none"> <li>שטח דשא, תנאי דשא, הגדרת גובה חיתוך, מהירות נהיגה, מהירות להב וכו' ישפיעו מאוד על זמן הפעולה.</li> </ul>	<ul style="list-style-type: none"> <li>הגדילו את גובה החיתוך של המשטח והאטו את מהירות הלהב כדי להפחית את עומס החיתוך.</li> </ul>
המכסחה אינה עוקבת כראוי.	<ul style="list-style-type: none"> <li>לחצי הצמיג עבור הגלגל האחורי הימני והשמאלי שונים.</li> </ul>	<ul style="list-style-type: none"> <li>בדקו וכווננו את לחץ האוויר בשני צמיגי הגלגלים האחוריים, על פי ההמלצות בסעיף „מפרטים”.</li> </ul>
	<ul style="list-style-type: none"> <li>מהירויות הנסיעה עבור הגלגלים האחוריים הימני והשמאלי שונים.</li> </ul>	<ul style="list-style-type: none"> <li>בצעו כיוול של ההגה בהתאם להוראות בסעיף „כיוול מערכת המעקב של המכסחה”.</li> </ul>
לא ניתן לשחרר את דושת בלם החניה ממצב החניה או שהוא חוזר חזרה למקומו באיטיות.	<ul style="list-style-type: none"> <li>ייתכן שיש פסולת או לכלוך הנכנסים לדושת בלם החניה.</li> </ul>	<ul style="list-style-type: none"> <li>פתחו את תיבת דושת בלם החניה כדי לנקות ביסודיות את התיבה מבפנים וסגרו אותה. אפסו את דושת בלם החניה כדי לראות האם הבעיה נפתרה. אם לא, פנו לטכנאי שירות מוסמך לצורך תיקון.</li> </ul>

בעיה	סיבה	פתרון
אינדיקטורי הסוללה עדיין פועלים כאשר המכסחה כבויה.	<ul style="list-style-type: none"> <li>כאשר המכסחה כבויה על קרקע ישרה ללא הסרת מארז(י) הסוללה מהמכסחה, מחווני הסוללה, לחצן ההפעלה/כיבוי ולחצן ה-CCS יישארו מוארים לתקופה מסוימת.</li> </ul>	<ul style="list-style-type: none"> <li>לא נדרשת פעולה. מחווני הסוללה יכובו כאשר המכסחה תכובה לאחר תקופה מסוימת. עיין בסעיף „<b>עצירת מכסחת הדשא</b>” לזמן ספציפי.</li> </ul>
	<ul style="list-style-type: none"> <li>כאשר המכסחה כבויה על מדרון ללא העברת בלם החניה למצב הבלימה, מחווני הסוללה יישארו פועלים עד שמטען הסוללה יתרוקן. מחוון הצפוף ממשיך לצפף באותו זמן.</li> </ul>	<ul style="list-style-type: none"> <li>העבירו את דוושת בלם החניה למצב חניה, לפני עזיבת המכסחה על מדרון.</li> </ul>
מסך ה-LCD אינו מואר כשכל הסמלים פועלים.	<ul style="list-style-type: none"> <li>לחצן 'הפעלה/כיבוי' נלחץ במשך מספיק זמן.</li> </ul>	<ul style="list-style-type: none"> <li>מסך ה-LCD יציג „מד דלק” בלבד כאשר לחצן ההפעלה/כיבוי נלחץ בקצרה.</li> </ul>
		<ul style="list-style-type: none"> <li>מסך ה-LCD יפעל לאחר שלחצן ההפעלה/כיבוי נלחץ למספיק זמן.</li> </ul>
המכסחה חותך בצורה לא שווה, עם שינויי גובה שונים מקדימה לאחור.	<ul style="list-style-type: none"> <li>הלהבים קהים.</li> </ul>	<ul style="list-style-type: none"> <li>השחילו או החליפו את להב החיתוך לפי ההוראות במדריך.</li> </ul>
	<ul style="list-style-type: none"> <li>הלהבים מעוקמים.</li> </ul>	<ul style="list-style-type: none"> <li>החליפו את להב החיתוך לפי ההוראות בסעיף „<b>החלפת להבי החיתוך</b>”.</li> </ul>
	<ul style="list-style-type: none"> <li>משטח המכסחה אינו מיושר, מה שגורם לגובה להב חיתוך שונה.</li> </ul>	<ul style="list-style-type: none"> <li>אזנו את משטח המכסחה לפי ההוראות בסעיף „<b>איזון משטח המכסחה</b>”.</li> </ul>
גובה חיתוך הדשא בפועל אינו מותאם לגובה המוצהר.	<ul style="list-style-type: none"> <li>בריחי משטח המכסחה משוחררים בקישור ההשעיה.</li> </ul>	<ul style="list-style-type: none"> <li>בצע את ההוראות בסעיף „<b>איזון משטח המכסחה</b>” כדי לבצע כוונן אחורי קדמי נאות עבור משטח המכסחה והדק בבטחה את האומים על גבי חיבור ההשעיה.</li> </ul>
	<ul style="list-style-type: none"> <li>משטח המכסחה פגום או בלוי באופן חמור.</li> </ul>	<ul style="list-style-type: none"> <li>בצעו את ההוראות בסעיף „<b>הסרת משטח המכסחה</b>” להחלפת משטח המכסחה.</li> </ul>
המכסחה איננה מבצעת מלצי'נג באופן ראוי.	<ul style="list-style-type: none"> <li>ישנה הצטברות של חתיכות דשא רטוב בחלק התחתון של המשטח.</li> </ul>	<ul style="list-style-type: none"> <li>חכו עד אשר הדשא מתייבש לפני הכיסוח.</li> </ul>
	<ul style="list-style-type: none"> <li>המכסחה הוגדרה לחתוך כמות גדולה מדי של דשא בבת אחת.</li> </ul>	<ul style="list-style-type: none"> <li>הגביהו את גובה חיתוך המשטח.</li> </ul>

בעיה	סיבה	פתרון
הלהבים מפסיקים לעבוד במהלך חיתוך דשא.	<ul style="list-style-type: none"> <li>ישנו עומס יתר במכסחה.</li> </ul>	<ul style="list-style-type: none"> <li>הגדילו את גובה החיתוך של המשטח או האטו את מהירות הנסיעה כדי להפחית את העומס של המכסחה.</li> </ul>
	<ul style="list-style-type: none"> <li>ישנה הצטברות של דשא ואשפה על משטח המכסחה.</li> </ul>	<ul style="list-style-type: none"> <li>נקו את משטח המכסחה, וודאו שללהבים ישנו חופש תזוזה.</li> </ul>
	<ul style="list-style-type: none"> <li>ישנו חימום יתר במכסחה.</li> </ul>	<ul style="list-style-type: none"> <li>הפחיתו את העומס על המכסחה, על ידי הרמת גובה החיתוך של המשטח או האטו את מהירות הלהב/ הנסיעה ואפשרו למכסחה להתקרר.</li> </ul>
	<ul style="list-style-type: none"> <li>ישנו חימום יתר במארז (י) הסוללה בתא סוללת המכסחה הגורם לדירוג hA משולב של כל הסוללות המוכנסות אשר איננו עומד בדרישה.</li> </ul>	<p>1. המכסחה אינה יכולה להמשיך לפעול אם דירוג ה-hA הכולל של הסוללה, לא כולל הסוללה שהתחממה מדי, עומד בדרישה. לאחר שהסוללה שהתחממה יתר על המידה חוזרת לטמפרטורה רגילה, היא תצטרף מיד להפעלת המכסחה.</p>
		<p>2. אם דירוג ה-hA המשולב איננו עומד בדרישה, המכסחה לא תפעל עד להכנסת מארזי סוללה נוספים לתוך תאי הסוללה הריקים.</p>
		<p>3. הפחיתו את העומס על המכסחה, על ידי הרמת גובה החיתוך של המשטח או האטו הכיסוח כאשר אתם מפעילים אותה מחדש.</p>
	<ul style="list-style-type: none"> <li>המכסחה נמצאת במצב „צליעה הביתה”.</li> </ul>	<ul style="list-style-type: none"> <li>כאשר המכסחה נמצאת במצב „צליעה הביתה”, הלהבים מועברים אוטומטית למהירות סיבוב נמוכה. על המפעיל להפסיק לעבוד ולנסוע אל אזור טעינת הסוללה בהקדם האפשרי.</li> </ul>
	<ul style="list-style-type: none"> <li>המכסחה פגעה בחפץ זר, הגורם להגנה עצמית של המנוע.</li> </ul>	<ul style="list-style-type: none"> <li>לחצו על מתג ה-PTO כלפי מטה ואז כלפי מעלה כדי להפעיל מחדש את מנועי הלהבים.</li> </ul>
	<ul style="list-style-type: none"> <li>מהירות המכסחה מותאמת למצב "TRAVEL".</li> </ul>	<ul style="list-style-type: none"> <li>כאשר מהירות המכסחה נמצאת במצב "TRAVEL", מנועי הלהב יפסיקו באופן אוטומטי את פעולתם.</li> </ul>
	מחונן השמע ממשיך להשמיע קול.	<ul style="list-style-type: none"> <li>המכסחה נמצאת במצב „צליעה הביתה” והלהבים אינם כבויים.</li> </ul>
<ul style="list-style-type: none"> <li>המכסחה מפסיקה לנסוע על מדרון והמפעיל אינו יושב על המושב ואינו מעביר את דוושת בלם החניה למצב הבלימה.</li> </ul>		<ul style="list-style-type: none"> <li>העבירו את דוושת בלם החניה למצב חניה, לפני עזיבת המכסחה על מדרון.</li> </ul>

פתרון	סיבה	בעיה
<ul style="list-style-type: none"> <li>כדי להפעיל מכסחה זו, השתמש במספיק סוללות EGO בהתאם להוראות בסעיף "הצמדה/הסרה של מארז הסוללה" במדריך זה.</li> </ul>	<ul style="list-style-type: none"> <li>ה-Ah המשולב של הסוללות המוכנסות איננו עומד בדרישה.</li> </ul>	<p>מכסחת הדשא הרכובה ZERO TURN (רדיוס סיבוב 0) לא מצליחה להתניע את הלהבים כאשר מתג ה-PTO מופעל.</p> <p>סמל מתג ה-PTO מהבהב </p>
<ul style="list-style-type: none"> <li>לחצו על מתג ה-PTO כלפי מטה ואז כלפי מעלה כדי להפעיל מחדש את מנועי הלהבים.</li> </ul>	<ul style="list-style-type: none"> <li>מתג ה-PTO לא נלחץ למטה כאשר המכסחה כובתה בפעם האחרונה.</li> </ul>	
<ul style="list-style-type: none"> <li>הפעילו את חיתוך הדשא של המכסחה במהירות להב נמוכה ואל תאיצו את מהירות הלהב עד שהלהבים מסתובבים בהצלחה.</li> </ul>	<ul style="list-style-type: none"> <li>המכסחה עמוסה מדי ברגע שהלהבים מתחילים להסתובב, מה שמפעיל את ההגנה העצמית של המנוע.</li> </ul>	
<ul style="list-style-type: none"> <li>אחסנו תמיד את המכסחה והסוללה בסביבה חמימה. הפעילו מחדש את מכסחת הדשא כאשר היא התחממה. אל תעשו נסיונות חוזרים בתנאי מזג אוויר קרים חריגים מה שעשוי לפגוע במכונה.</li> </ul>	<ul style="list-style-type: none"> <li>בתנאי מזג אוויר קרים באופן קיצוני, ייתכן שמנוע הלהב לא יפעל בהצלחה עקב הגנת הטמפרטורה הנמוכה.</li> </ul>	
<ul style="list-style-type: none"> <li>צרו קשר עם מרכז שירות הלקוחות של EGO.</li> </ul>	<ul style="list-style-type: none"> <li>הלהב מפריע למשטח המכסחה המעוות.</li> </ul>	
<ul style="list-style-type: none"> <li>כאשר מכסחת הדשא נוסעת במהירות "נסיעה", מנועי הלהב יעצרו באופן אוטומטי.</li> </ul>	<ul style="list-style-type: none"> <li>המכסחה נוסעת במהירות "TRAVEL".</li> </ul>	

בעיה	סיבה	פתרון
מכסחת הדשא הרכובה Zero Turn (רדיוס סיבוב 0) מפסיקה לנוע.	<ul style="list-style-type: none"> <li>המשוט השמאלי / הימני דורש "איפוס".</li> </ul>	<ul style="list-style-type: none"> <li>משכו את המשוטים, השמאלי/הימני לכיוון המפעיל ושחררו אותם. המכסחה מוכנה לנהיגה כאשר מחוון המצב מאיר בירוק.</li> </ul>
	<ul style="list-style-type: none"> <li>כשל של רכיבים אלקטרוניים של דווש המאיץ.</li> </ul>	<ul style="list-style-type: none"> <li>פנו לטכנאי שירות מוסמך לתיקון.</li> </ul>
	<ul style="list-style-type: none"> <li>מערכת האינטרלוק לבטיחות המושב נותקה במהלך נהיגה בשטח קשה.</li> </ul>	<ul style="list-style-type: none"> <li>הסר את הסוללה מהמכסחה ופרק את המושב בסדר הפוך של ההוראות בסעיף "התקנת המושב" במדריך זה, כדי לוודא שתקע הכבל מחובר כראוי לשקע בתחתית המושב. חבר מחדש את המושב ובצע את ההוראות ב"הפעלת המכסחה" כדי להפעיל מחדש את המכסחה ולראות אם ניתן להפעיל את המכסחה. אם לא, פנו לטכנאי שירות מוסמך לצורך תיקון.</li> </ul>
	<ul style="list-style-type: none"> <li>משקל המפעיל אינו מתחלק באופן שווה על המושב. משקל המפעיל על המושב חייב להיות לפחות 20 ק"ג כדי שמערכת האינטרלוק לבטיחות המושב תתפקד כראוי</li> </ul>	<ul style="list-style-type: none"> <li>שבו על המושב כראוי, משכו את המשוט הימני/ השמאלי/שניהם לכיוון המפעיל ושחררו אותם, ואז מכסחת הדשא מוכנה לנהיגה.</li> </ul>
	<ul style="list-style-type: none"> <li>דווש בלם החניה לחוצה כדי להאט את מהירות הנהיגה. ברגע שדווש בלם החניה לחוצה מספיק אך לא נמצאת במצב חניה, המכסחה תעצור.</li> </ul>	<ul style="list-style-type: none"> <li>נתקו וחברו שוב את מארז הסוללות במידת הצורך.</li> </ul>
	<ul style="list-style-type: none"> <li>זוהי תכונה של המכסחה הרכובה Zero Turn (רדיוס סיבוב 0) לנהיגה בטוחה.</li> </ul>	<ul style="list-style-type: none"> <li>בצעו את ההוראות ב"הפעלת המכסחה" כדי להפעיל מחדש את המכסחה.</li> </ul>
	<ul style="list-style-type: none"> <li>לא ניתן לשנות את מצב הנהיגה במהלך הנסיעה.</li> </ul>	<ul style="list-style-type: none"> <li>הפונקציה תופעל רק כאשר גלגלי מכסחת הדשא יעצרו.</li> </ul>

## איתור וטיפול בבעיות

בעיה	סיבה	פתרון
<p>מכסחת הדשא הר־                      כובה ZERO TURN                      (רדיוס סיבוב 0) לא                      מצליחה לנסוע כאשר                      דוושת התאוצה לחו־                      צה.</p>	<ul style="list-style-type: none"> <li>ה-Ah המשולב של הסוללות המוכנסות איננו עומד בדרישה.</li> </ul>	<ul style="list-style-type: none"> <li>כדי להפעיל מכסחה זו, השתמש במספיק סוללות EGO בהתאם להוראות בסעיף "הצמדה/הסרה של מארז הסוללה" במדריך זה.</li> </ul>
	<ul style="list-style-type: none"> <li>דוושת בלם החניה מוגדרת למצב חניה.</li> </ul>	<ul style="list-style-type: none"> <li>לחצו לחלוטין את דוושת בלם החניה כדי לשחרר אותה ממצב הבלימה.</li> </ul>
	<ul style="list-style-type: none"> <li>המשוטטים השמאליים והימניים אינם נמשכים לזמן קצר לכיוון המפעיל כדי לגרום למחווה מצב המכסחה להאיר בירוק בעת הפעלת המכסחה.</li> </ul>	<ul style="list-style-type: none"> <li>משוך את המשוטטים, השמאלי והימני, לכיוון המפעיל בו זמנית ואז שחרר. מחווה מצב המכסחה יאיר בירוק, מה שאומר שהמכסחה מוכנה להפעלה.</li> </ul>
	<ul style="list-style-type: none"> <li>המפעיל אינו יושב על המושב.</li> </ul>	<ul style="list-style-type: none"> <li>רק כאשר המפעיל ישוב כראוי על המושב, הוא יכול להפעיל את המכסחה.</li> </ul>
	<ul style="list-style-type: none"> <li>מתג המושב אינו מחובר כראוי.</li> </ul>	<ul style="list-style-type: none"> <li>הסר את הסוללה מהמכסחה ופרק את המושב בסדר הפוך של ההוראות בסעיף "התקנת המושב" במדריך זה, כדי לוודא שתקע הכבל מחובר כראוי לשקע בתחתית המושב. חבר מחדש את המושב ובצע את ההוראות ב"הפעלת המכסחה" כדי להפעיל מחדש את המכסחה ולראות אם ניתן להפעיל את המכסחה. אם לא, פנו לטכנאי שירות מוסמך לצורך תיקון.</li> </ul>
	<ul style="list-style-type: none"> <li>בתנאי מזג אוויר קרים באופן קיצוני, ייתכן שפונקציית הנהיגה לא תפעל בהצלחה עקב הגנת הטמפרטורה הנמוכה.</li> </ul>	<ul style="list-style-type: none"> <li>אחסנו תמיד את המכסחה והסוללה בסביבה חמימה. הפעילו מחדש את מכסחת הדשא כאשר היא התחממה. אל תעשו נסיונות חוזרים בתנאי מזג אוויר קרים חריגים מה שעשוי לפגוע במכונה.</li> </ul>
	<ul style="list-style-type: none"> <li>נתיב התנועה של דוושת התאוצה סתום בפסולת.</li> </ul>	<ul style="list-style-type: none"> <li>בדקו והסירו את הפסולת.</li> </ul>
	<ul style="list-style-type: none"> <li>כשל ברכיבים מכניים או אלקטרוניים של דוושת המאיץ.</li> </ul>	<ul style="list-style-type: none"> <li>פנו לטכנאי שירות מוסמך לתיקון.</li> </ul>



- כיוון מצד לצד (איור G12)
- כיוון מקדימה לאחור (איור G13)

### כיוול מערכת המעקב של המכסחה (איור H1 – H2)

**הודעה:** אינדיקטור הצפצוף יושמע פעם אחת בתחילת הכיוול ופעם אחת בסיום הכיוול.

**הערה:** ייתכן שהכיוול שהושלם עבור אחד ממצבי הנהיגה ("שליטה", "תקן", "SPORT") לא יהיה זמין עבור שני המצבים האחרים. כיוול את ההגה בכל מצב נהיגה בפני עצמו לפי הצורך.

### איפוס המכסחה להגדרות המפעל (איור I)

**הודעה:** אינדיקטור הצפצוף יושמע פעם אחת בתחילת האיפוס ופעם אחת בסיום האיפוס.

**הערה:** כאשר האיפוס יצליח, ההגדרות הבאות יחזרו להגדרת היצרן הראשונית:

- מצב נהיגה
- מהירות נסיעה
- כיוול ההגה

## אחסון והעברה

### הובלת מכסחת הדשא (איור J1 – J5)

**הודעה:** אבטחו את המכסחה לפי הצורך, באמצעות רצועות או כבלים כדי למנוע תזוזה זמן ההעברה.

### אחסון (איור K1 – K2)

**הודעה:** הסירו את מארזי הסוללה, ואחסנו את הסוללות, עיינו במדריכים המתאימים.

נקו ובדקו את המכסחה לפני האחסון, עיינו בסעיפים „ניקוי המכסחה” ו”לוח/ות זמנים מומלצים לתחזוקה”.

### הגנה על הסביבה

WEEE (זריקה של ציוד חשמלי ואלקטרוני) - אין לזרוק ציוד חשמלי, מטעני סוללות וסוללות ביחד עם אשפה ביתית! קחו מוצרים אלו למרכז מחזור מוסמך וודאו שהם זמינים לאיסוף בנפרד. יש להחזיר כלים חשמליים אל מתקן מחזור המתאים לסביבה.



<ul style="list-style-type: none"> <li>• בדקו את דווש בלם חניה. הוציאו את הסוללה מהמכסחה והעבירו את דווש בלם החניה למצב חניה. דחפו ידנית את המכסחה קדימה כדי לראות האם ניתן להזיז את המכסחה או שלא. אם היא זזה, הביאו אותה לטיפול אצל טכנאי שירות מוסמך.</li> </ul>	מידי שנה
---	----------

### תחזוקה כללית

#### ניקוי גוף המכסחה (איור F1 - F2)

שימוש ביציאת השטיפה לניקוי משטח מכסחת הדשא (איור F3 – F4)

מצמד מהיר של יציאת השטיפה	F2-2	יציאת השטיפה	F2-1
		צינור גינה	F2-3

**הודעה:** בסיום הניקוי, כבו את המכסחה לחלוטין ולאחר מכן הסירו את צינור הגינה ואת המצמד המהיר.

#### תחזוקת משטח המכסחה ולהבי החיתוך

#### הכנה (איור G1)

#### הסרת משטח המכסחה (איור G2 – G3)

חבור ההשעיה	G2-2	כבל המנוע	G2-1
		פין פציל	G2-3

**הודעה:** נתקו את כבלי המנוע ואת סיכות הפיצול בעת הסרת משטח המכסחה.

#### החלפת להבי החיתוך (איור G4 - G6)

בריש	G5-1	מייצב	G4-1
להב	G5-3	דסקית	G5-2
מוט מנוע	G5-5	גליל	G5-4

#### איזון משטח המכסחה

#### a. מתי לפלס (איור. G7 – G9)

#### b. לפני האיזון

- בדיקת הלחץ בגלגל הקר (איור G10)
- בדקו את להבי החיתוך. הסירו והחליפו להבים בלויים, סדוקים ו/או עקומים לפי הצורך.

#### c. הכנה לפילוס (איור G11)

#### d. כיצד לאזן

מרווחי הזמן לביצוע שירותי תחזוקה	הליך התחזוקה
לפני כל שימוש או מידי יום	<ul style="list-style-type: none"> <li>בדוק את מערכת מנעולי הבטיחות המשולבים.</li> <li>בדקו ויזואלית את הצמיג כדי לראות האם הוא מנופח.</li> <li>בדוק את הלהבים.</li> <li>בדקו את כל המוצר לאיתור חלקים ניזוקים, משוחררים או חסרים, כגון צינור הפליטה הצדדי, ברגים, אומים, בריחים, מכסים וכו' וודאו שכל המגנים נמצאים במקומם ופועלים כראוי.</li> <li>בדקו וודאו שניתן ללחוץ ולשחרר את דוושת המאיץ כראוי.</li> <li>בדקו את בולמי הזעזועים של ההגה. יש לחוש בהתנגדות מסוימת בעת סיבוב ההגה.</li> </ul>
לאחר כל שימוש	<ul style="list-style-type: none"> <li>נקו את משטח המכסחה.</li> </ul>
כל 25 שעות	<ul style="list-style-type: none"> <li>בדקו את לחץ הצמיג.</li> </ul>
כל 100 שעות	<ul style="list-style-type: none"> <li>בדוק את הגלגלים האחוריים, וודאו שכל בריחי הזיזים מהודקים במומנט המומלץ.</li> </ul>
כל 200 שעות	<ul style="list-style-type: none"> <li>בדקו את הגלגלים הקדמיים וודאו שה מסתובבים בחופשיות.</li> </ul>
לפני האחסון	<ul style="list-style-type: none"> <li>הסירו את מארז הסוללה מהמכסחה.</li> <li>הסירו את מפתח הבטיחות ממכסחת הדשא.</li> <li>בצעו את כל הליכי התחזוקה המפורטים לעיל ונקו ביסודיות את מכסחת הדשא.</li> <li>בדקו את כל המוצר לאיתור חלקים ניזוקים, משוחררים או חסרים, החליפו או הדקו את הנדרש, לפני האחסון.</li> </ul>

**⚠ אזהרה:** אל תפעילו מכשיר זה בכבישים ציבוריים.

**⚠ אזהרה:** אם מתרחשת חסימה או שאתם פוגעים בחפץ זר, עצרו את המנועים והוציאו את הסוללות. הוציאו את גזם הדשא, העלים, הלכלוך וכל פסולת אחרת שהצטברה, בדקו בעיון את המכסחה לאיתור נזק ותקנו את הנזק לפני הפעלה מחודשת ותפעול של המכסחה.

### שימוש בבקרת שיוט (CCS)

#### כדי להפעיל בקרת שיוט במהלך נהיגה (איור E22)

**הערה:** ייתכן שרמת מהירות הנהיגה המוצגת על מסך ה-LCD אינה מייצגת במדויק את מהירות הנהיגה בפועל של המכסחה בבקרת שיוט. לחצו על אחד מלחצני כוונן המהירות ("←" או "→") כדי "לרענן" ולכוון את רמת מהירות הנהיגה במסך ה-LCD.

#### כדי לצאת מבקרת שיוט ולעצור את מכסחת הדשא,

תוכלו לבחור באחת מארבע הדרכים:

- לחצו קלות על דוושת המאיץ ואז שחררו אותה.
- משכו את המשוט השמאלי/ימני לכיוון המפעיל ולאחר מכן שחררו.
- לחצו על דוושת בלם החניה.
- לחצו על לחצן בקרת השיוט.

**הערה:** לחצו על דוושת התאוצה לאורך כל הדרך כדי להשיג את מהירות הנהיגה הנוכחית של בקרת השיוט והמשיכו ללחוץ. פונקציית בקרת השיוט תעצור והמכסחה תמשיך לנסוע במהירות הנוכחית.

## תחזוקה

**⚠ אזהרה:** ענדו תמיד משקפי בטיחות עם הגנה צדדית. אם לא תעשו זאת עצמים עלולים להיזרק אל תוך העיניים שלכם ועלולה להיגרם פציעה חמורה.

**⚠ אזהרה:** הגנו תמיד על הידיים שלכם על ידי לבישת כפפות מוצקות או עטיפה של הקצוות החותכים בעזרת מטליות או חומרים אחרים בעת ביצוע כל פעולת תחזוקה בלהב המכסחה. הסירו תמיד את מארזי הסוללה בעת ביצוע תיקונים או הובלה של המכסחה.

## עצירת מכסחת הדשא (איור E20)

**הודעה:** לאחר יותר מ-60 דקות ללא הפעלה, המכסחה תכבה אוטומטית.

### מצב „צליעה הביתה”

כאשר מצב הסוללה הופך לנמוך באופן קריטי, המכסחה תעבור למצב „צליעה הביתה” כדי לשמר מספיק כוח כדי לחזור לאזור הטעינה.

- הלהבים עוברים למהירות סיבוב נמוכה, שיכולה לחתוך רק מעט מאוד דשא. כאשר הם ייתקלו בדשא גבוה וצפוף, הלהבים יפסיקו להסתובב. מחוון השמע יישמע (יצפצף) לסירוגין.

- מחוון מצב המכסחה יהבהב באדום בכל שנייה, ומחוון הסוללה החלשה וגרפיקת הסוללה על מד הדלק יהבהבו.

על המפעיל:

- לחצו על מתג ה-PTO כלפי מטה כדי לכבות את מנועי הלהבים. מחווני השמע ישתתק כאשר מנועי הלהב יעצרו.

- הפסיקו לעבוד והגיעו לאזור הטעינה בהקדם האפשרי. המרחק המירבי שהמכסחה יכולה לנסוע הוא 1000 מטר.

כאשר הסוללה כמעט ריקה, הסמל של כל תא סוללה מאוכלס ואינדיקטור הסוללה החלשה יהבהבו מידי חצי שניה. המכסחה תפסיק לעבוד מיד. המפעיל יצטרך להעביר את המכסחה לאזור טעינת הסוללה לצורך טעינתה.

**הודעה:** אם נדרשת דחיפה ידנית, הקפידו לוודא שהסוללות מנותקות מהמכסחה ודוושת בלם החניה משוחררת ממצב הבלימה.

## נהיגה במכסחת הדשא (איור E21)

**⚠ סכנה:** שמור על מרחק של רוחב כיסוח כפול, לכל הפחות, משוחות, שוליים או מים. הגלגלים הקדמיים יכולים להסתובב כאשר המכסחה עצרה, אפילו כאשר הבלם מופעל, ולגרום למכסחה לעבור את הקצה או להיכנס למים ולגרום למוות או לפציעה חמורה.

**⚠ אזהרה:** בדקו מה יש מאחורי המכסחה לפני נסיעה לאחור. אל תכסחו את הדשא לכיוון ההפוך אלא אם הדבר חיוני בהחלט. הסתכלו תמיד למטה ואחורה לפני ובמהלך נסיעה לאחור כדי לוודא שילדים, עוברי אורח או חיות מחמד לא ייכנסו לאיזור הכיסוח. זכרו שחוסר זהירות של שבריר שניה אחד מספיק כדי לגרום לפציעה או למוות.

**⚠ אזהרה:** לפני הפעלת המכסחה, בדוק וודא שהלהבים אינם פועלים למשך 5 שניות בעת דחיפת מתג ה-PTO כלפי מטה. אם הלהבים אינם נעצרים, אין להשתמש במכסחה ויש לפנות מיד לשירות הלקוחות של EGO.

**הודעה:** בצעו את המתואר באיור E17 ו-E18 כדי להשיג את מהירות הנסיעה הנמוכה ביותר ואת מצב הנהיגה הסטנדרטי עד שתהיו מסוגלים לגמרי להפעיל את המכסחה בכל מצב.

בעת הפעלתה מחדש המכסחה תשמור ותציג את מצב הנהיגה, מהירות הנהיגה והכיול של ההגה מהשימוש הקודם.

## כוונון מצב נהיגה (איור E17)

- בקרה:** האצה נמוכה יותר, טיפול רגיש מופחת ומהירות סיבוב קלה להגנה על הדשא ועבור משתמשים חדשים.

- סטנדרטי:** מושלם לשימוש יומיומי.

- ספורט:** האצה גבוהה יותר, טיפול מדויק, וסיבוב חד למיטוב יעילות הכיסוח ולחובבי הכיסוח.

**הערה:** לא ניתן לשנות את מצב הנהיגה במהלך הנסיעה. הפונקציה תופעל רק כאשר גלגלי מכסחת הדשא יעצרו.

## כוונון מהירות נסיעה (איור E18)

**הערה:** במצב "TURBO", לחצו על "-", מהירות הנהיגה תחזור למצב הקודם.

## כוונון מהירות הלהב (איור E19)

### פנסי לד

- הפנסים הקדמיים, פנסי הצד והפנסים האחוריים נשלטים על ידי מתג פנסי הלד.

- פנסי הפעולה נשארים דולקים תמיד במהלך נסיעה.
- כאשר נוסעים לאחור, אם הפנסים האחוריים כבויים, הם יהבהבו כדי להזהיר עוברי אורח, אם הפנסים האחוריים דולקים, הם יישארו דולקים.
- כל האורות יכובו באופן אוטומטי כאשר המכסחה נכבית באופן אוטומטי לאחר תקופה ללא הפעלה.

### יציאת USB

**הודעה:** יציאת ה-USB מספקת הספק טעינה של 5 וולט DC עד למשיכה כוללת של 1.5 אמפרים והיא מופעלת רק כאשר המכסחה מותנתת

## כוונון

לפני הכוונון (איור D1)

כיוונון גובה משטח החיתוך (איור D2)

כיוונון הגלגלים למניעת הגיזום  
(איור D3 - D6)

D3-1	גלגל למניעת גיזום	D5-1	אום
D5-2	לוג בולט	D6-1	תווית גובה המשטח

כיוונון המושב (איור D7)

D7-1	ידית כיוונון מצב המושב	D7-2	ידית כוונון השעיית מושב
------	------------------------	------	-------------------------

כוונון ההגה (איור D8)

D8-1	בורג נעילה	D8-2	מוט
D8-3	קוביית איתור	D8-4	חריץ

## הפעלה

לפני ההפעלה (איור E1)

הגדרת בלם החניה (איור E2)

E2-1	מצב שחרור	E2-2	מצב בלימה
------	-----------	------	-----------

**הודעה:** לעולם אין ללחוץ על דוושת בלם החניה כדי להאט את המהירות. ברגע שדוושת בלם החניה לחוצה מספיק אך לא במצב החניה המלא, מכסחת הדשא תפסיק לזוז על גבי משטח שטוח, אבל אם הדבר קורה במדרון, המכסחה עלולה להחליק במורד המדרון.

הצמדה/הסרה של מארז הסוללה  
(איור E3 - E6)

על מנת להפעיל את המכסחה, נדרשות סוללות EGO של HA51 בסה"כ (BA4200T/BA4200T X 2) או יותר. לביצועים מיטביים, אנו ממליצים להשתמש בסוללות EGO של 30AH סה"כ, או יותר.

E3-1	כפתור שחרור מכסה	E5-1	כפתור שחרור הסוללה
------	------------------	------	--------------------

טעינת מכסחת הדשא

השתמשו רק במארזי הסוללה ובמטענים המומלצים.

• טענו את מארזי הסוללות בנפרד (איור E7)

**הודעה:** עיינו במדריכי הסוללה והמטען המתאימים לקבלת הוראות מפורטות.

• טענו את מארזי הסוללות באמצעות יציאת הטעינה (איור E10-E8)

E10-1	מכסה אבק	E10-2	יציאת טעינה
-------	----------	-------	-------------

**בדיקת מערכת מנעולי הבטיחות המשולבים.**

a. לבדיקת מערכת להב המשטח (איור E11 - E12)  
b. לבדיקת את מערכת הנהיגה (איור E13 - E14)

אם מערכת להב המשטח ו/או מערכת הנהיגה אינה עוצרת כאשר המפעיל אינו על המושב ואם לא ניתן לקבוע את הסיבה לכך לאחר אישור שחיבור התקע והשקע של המושב מחוברים היטב, יש לפנות מיד אל מרכז שירות הלקוחות EGO.

**רשימת פעולות לביצוע לפני ההפעלה**

- וודאו שאזור העבודה פנוי מילדים, עוברי אורח ובעלי חיים.
- פנו את אזור העבודה מפריטים שעשויים להיות מושלכים על ידי להבי המכסחה.
- נקו את הפסולת מהמכסחה.
- בדקו אם יש מחברים רופפים.
- בדקו כדי לוודא שכל המגנים קיימים ועובדים כראוי.
- בדקו ויזואלית את הצמיג כדי לראות האם הוא מנופח.
- בדקו את פעולת הבלם.
- התאימו את גובה המשטח למצב החיתוך הרצוי המתאים ביותר למדשאה, וכוונו את הגלגלים למניעת גיזום בהתאם.
- התאימו את מצב המושב וודאו שניתן להגיע לשתי הדוושות.
- התאימו את ההגה למצב הרצוי, לפי הצורך.
- ודאו את רמת הטעינה של הסוללה.
- בדקו את מערכת מנעולי הבטיחות המשולבים.

**הפעלת מכסחת הדשא  
(איור E15 - איור E16)**

**⚠ אזהרה:** הימנעו מהפעלות, עצירות וסיבובים פתאומיים, כמו גם ממהירות חריגות, בייחוד כאשר מתחילים ללמוד להפעיל את המכסחה. המכסחה יכולה להסתובב סביב עצמה במהירות, מה שעלול לגרום לכם לאבד שליטה ולגרום לפציעה חמורה ו/או לנזק.

B-5	מפתח אלן	B-6	מפתח זקוף
B-7	מפתח קצה פתוח	B-8	מפתחות בטיחות
B-9	מצמד מהיר של יציאת השטיפה	B-10	מדריך למפעיל

## הרכבה

### התקנת המושב (איור C1-C4)

**⚠ אזהרה:** אין לנתק או לעקוף את מערכת המנעולים המשולבים. פעולה זו יכולה לגרום למכסחה לפעול בפתאומיות, מה שיכול לגרום לפציעה גופנית.

**הודעה:** למען בטיחותך, המכסחה עשויה להפסיק לנסוע מכיוון שמתג המושב התנתק במהלך הנסיעה. במקרה זה עיין בסעיף „**איתור וטיפול בבעיות**” למידע נוסף.

C1-1	שקע	C1-2	תקע
C1-3	כבל	C2-1	ידית המושב
C2-2	בסיס השעיה	C2-3	מפתח אלן
C2-4	ברגי ראש-שקע	C2-5	ידית כיוונון מצב המושב
C3-1	מסילות פלדה	C3-2	מפתח אלן
C3-3	ברגי ראש-שקע	C4-1	

### התקנת ההגה (איור C5-C6)

C5-1	בורג נעילה	C5-2	מוט
C6-1	קוביית איתור	C6-2	חריץ
C6-3	מגן הגה		

### חיבור פקק המלצי'נג (איור C7)

C7-1	אשד לפריקה צדדית	C7-2	פקק מלצי'נג
C7-3	קפיץ הניתן להזזה		

1. סמל הפוך
2. סמל CCS
3. סמל מפתח בטיחות
4. סמל פנסי לד
5. סמל חניה אוטומטית
6. סמל USB
7. אינדיקטור להב
8. אינדיקטור סטטוס התקן אבטחה
9. מונה שעות
10. סמל תא סוללה פנוי
11. סמל טמפרטורה
12. סמל תא סוללה מלא
13. מצב נהיגה
14. מחוון קוד תקלה
15. אינדיקטור עומס יתר
16. אינדיקטור מתח נמוך
17. מד דלק
18. אינדיקטור עומס
19. אינדיקטור מהירות נסיעה

## הוצאה מן האריזה

**הודעה:** שמור את חומרי האריזה עד שתבדוק ותפעיל בהצלחה את המוצר. אם חלקים כלשהם ברשימת האריזה מורכבים על המכונה פנה מיד אל השירות של EGO.

**הודעה:** מלבד הכלים המפורטים ברשימת האריזה להלן, כל שאר הכלים המפורטים במדריכים הם מומלצים בלבד אך אינם מצורפים לאריזה.

**הודעה:** אין להסיר את קוביית הספוג שמתחת להגה לפני התקנת ההגה כראוי. רעידות במהלך ההזזה עלולות לגרום לנזק להגה.

### רשימת אריזה (איור B)

B-1	מכסחת דשא רכובה ZERO TURN (רדיוס סיבוב 0)	B-2	מושב
B-3	פקק מלצי'נג	B-4	ברגי ראש-שקע (2 לגיבוי)

גלגל למניעת גיזום	.11	■ ערך הרטט הכללי המוצהר נמדד בהתאם לשיטת בדיקה סטנדרטית וניתן להשתמש בו על מנת להשוות ציוד אחד עם ציוד אחר;
גלגל קדמי	.12	■ ניתן להשתמש בערך הרטט הכללי המוצהר בהערכה ראשונית של חשיפה.
דושת בלם חניה	.13	<b>הודעה:</b> פליטת הרטט בעת השימוש המעשי בכלי יכולה להיות שונה מן הערך המוצהר כאשר הכלי נמצא בשימוש; על מנת להגן על המפעיל, על המשתמש ללבוש כפפות ומגני אוזניים בעת השימוש למעשה.
פנסי פעולה ליום	.14	
פנסי לד קדמיים	.15	
דושת האצה	.16	
אזור משען לרגל	.17	
צינור פליטה צדדית	.18	
דושת כיוון גובה משטח	.19	
ידית כווןן השעיית מושב	.20	
הגה	.21	
תיבה בצד ימין	.22	
ידית כיווןן מצב המושב	.23	
מתג PTO	.24	
לחצן הפעלה/כיבוי	.25	
מפתח בטיחות	.26	
חריץ לאחסון טלפון	.27	
מחזיקי כוסות	.28	
משוט שמאלי	.29	
אינדיקטור סטטוס עבור המכסחה	.30	
מסך LCD	.31	
משוט ימני	.32	
לחצן כווןן מהירות להב	.33	
לחצן CCS	.34	
לחצן מצב נהיגה	.35	
מתג פנס לד	.36	
לחצן כווןן מהירות נסיעה	.37	
לחצן שחרור מכסה יחידת הכח	.38	
מכסה יחידת כח	.39	
יחידת כוח עם שישה תאי סוללה	.40	
כפתור שחרור סוללה	.41	
לולאה	.42	
מכסה הרכבת אביזר מצורף	.43	
יציאת USB	.44	

## אביזרים מומלצים

**▲ אזהרה:** השתמשו רק בחלקי חילוף זהים המפורטים להלן. שימוש של חלקים אשר לא מתאימים למפרטים של הציוד המקורי עלולים להוביל לביצועים לא מתאימים ולפגוע בבטיחות הציוד.

שם חלק	מספר דגם
להב סטנדרטי	AB4200
להב הרמה גבוהה	AB4201
פקק מלצי'נג	AMP4200
ערכת איסוף דשא	ABK4200-A
פגוש אחורי	AMB1000
תיבת מטען	AMG1000
מגן שמש	AMS1000

## תיאור

### הכירו את מכסחת הדשא (איור A1)

1. מושב
2. יציאת טעינה
3. יחידת כח
4. פנס לד אחורי
5. תא אחסון
6. פנס לד צדדי
7. גלגל אחורי (גלגל נסיעה)
8. יציאת השטיפה
9. משטח
10. מגן משטח

### הכירו את מסך ה-LCD (איור A2)

עין בסעיף „קוד תקלה והפניה למצב המכסחה” למידע נוסף על הסמלים והמחווונים במסך ה-LCD.

מוצר זה תואם לחוקים הרלוונטיים  
בבריטניה.

**UK  
CA**

סיבובים לדקה	סל"ד
מטרים	מטר
סנטימטרים	ס"מ
מילימטרים	מ"מ
קילוגרם	ק"ג
רמת הגנת כניסה	IPX4

זרם ישיר

קילו-פסקל	kPa
וולט	V
אינץ'	אינץ'
ניוטון-מטר	ננומטר
צלזיוס	°C
ק"מ לשעה	קמ"ש

## סמלי בטיחות

הפעולה שצוינה נעצרת



יש לציין את המידע



## מפרטים

CHV1600E	מטען (אופציונלי)	טעינה
ACA1000	מתאם (אופציונלי)	
5°C-40°C	טווח טמפרטורת טעינה	
100 – 25 מ"מ	כיוונון גובה חיתוך (10 מצבים)	
0°C- 40°C	טמפרטורת הפעלה	
-20°C - 70°C	טמפרטורת אחסון	
196 ק"ג	משקל (ללא מארז סוללה)	
96,44 dB(A) K=0,68 dB(A)	רמת עוצמת קול נמדדת $L_{WA}$	
84,3 dB(A) K=3,0 dB(A)	רמת לחץ קול באוזן המפעיל $L_{PA}$	
100 dB(A)	רמת עוצמת קול מובטחת $L_{WA}$ (נמדד בהתאם ל-2000/14/EC)	
1,221 היינש/מ' <sup>2</sup> K = 1,5 היינש/מ' <sup>2</sup>	יד	רטט $a_h$
0,568 היינש/מ' <sup>2</sup> K = 1,5 היינש/מ' <sup>2</sup>	גופה	

56V	וולט	
107 ס"מ	גודל משטח	
- 101.6 x 279.4 127 מ"מ	קדמי	גודל גלגל
- 241.3 x 457.2 203.2 מ"מ	אחורי	
222.1 kPa	קדמי	לחץ גלגל קר
110.3 kPa	אחורי	
0	רדיוס סיבוב	
2400; 2600; 2800; 3000	מהירות להב (סל"ד)	
4.8 קמ"ש, 8.1 קמ"ש, 9.7 קמ"ש, 11.3 קמ"ש (12.8 קמ"ש במצב Travel)	קדימה	מהירות נסיעה מרביט
עד 5.6 קמ"ש	אחורה	

HE

**894**

ZT4200E-S - מכסחת דשא רכובה ZERO TURN (רדיוס סיבוב 0)

# אנא קראו את כל ההוראות!

קראו את המדריך למשתמש

## סמל בטיחות

מטרתם של סימני הבטיחות היא למשוך את תשומת לבכם אל סכנות אפשריות. סמלי הבטיחות וההסברים שלהם דורשים את תשומת הלב וההבנה המלאות שלך. סימני הבטיחות בעצמם לא ימנעו כל סכנה. ההוראות והאזהרות אותן הם מספקים לא תחלפנה נקיטת אמצעי מניעה מתאימים בעת תאונה.

**⚠ אזהרה:** ודאו שאתם קוראים ומבינים את כל ההוראות הבטיחות המופיעות במדריך זה למשתמש, כולל את כל סימני התראות הבטיחות כגון „סכנה“, „אזהרה“ ו-„זהירות“ לפני השימוש במכשיר זה. אי מילוי אחר כל ההוראות המופיעות למטה יכול לגרום להלם חשמלי, שרפה ו/או פציעות אישיות חמורות.

## פירוש הסימן

עמוד זה מצוין ומתאר את סימני הבטיחות העשויים להופיע על גבי המוצר. קראו, הבינו ועקבו אחר ההוראות המופיעות על המכשיר לפני כל ניסיון להרכיב ולהשתמש בו.

## סמלי בטיחות

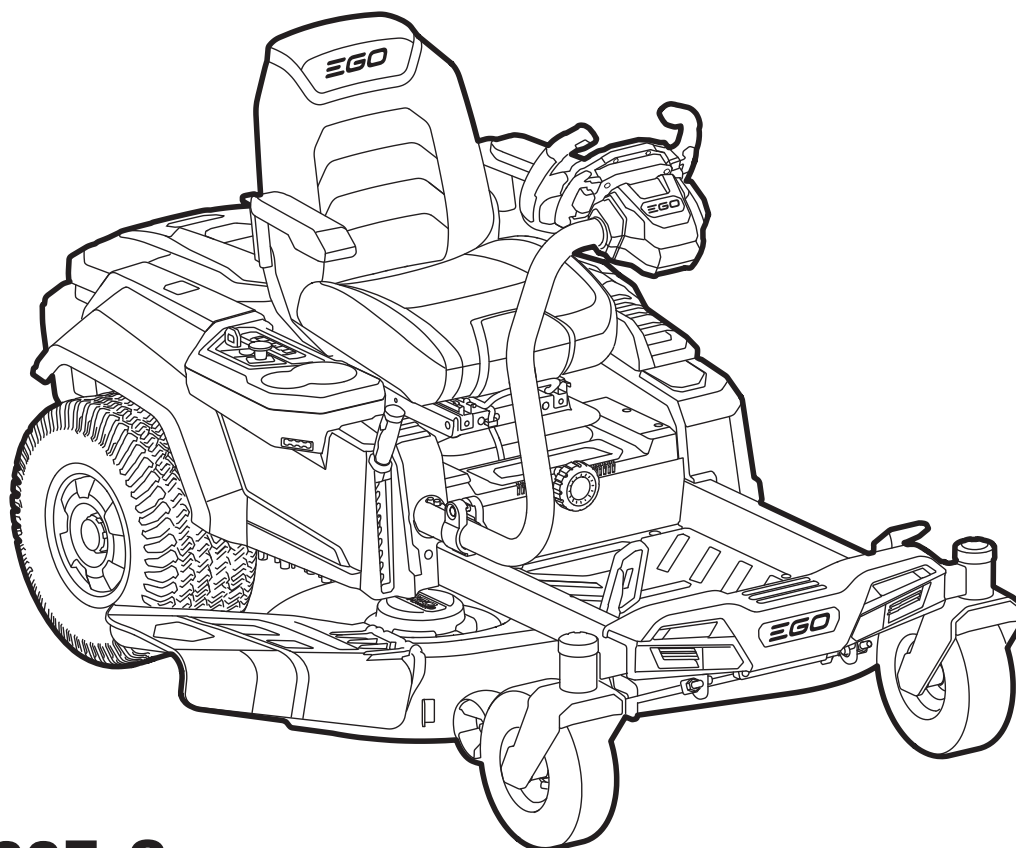
קראו והבינו את המדריך למפעיל	התראת בטיחות
שמרו על התקני הבטיחות	מגני עיניים
סכנה - הרחיקו עוברי אורח מהלהבים	סכנה - סכנת מדרון תלול
הסתכלו אחורה כאשר אתם נוסעים לאחור.	לעולם אין להרכיב ילדים
סכנה - חפצים מושלכים	אזהרה - אין להשתמש במכשיר זה במדרונות עם זווית גדולה מ-21°
רמת עוצמת קול מובטחת. בהתאם לתקנת האיחוד האירופי.	אזהרה - הרחיקו ידיים ורגליים
אין לזרוק מוצרים חשמליים עם האשפה הביתית. יש להביא את המכשיר למרכז מחזור מוסמך.	אין לדרוך
זהירות - אין להביט ישירות על נורת ההפעלה.	מוצר זה תואם לתקנות ה-EC הרלוונטיות

HE



# EGO™

POWER<sup>+</sup> ZERO TURN RIDE-ON MOWER



## ZT4200E-S

מכסחת דשא רכובה TURN ZERO (רדיוס סיבוב 0) HE

جزارة صفرية زاوية الدوران بظهر للركوب AR

